



Report on

GEN-2023-SR5 Surplus Service Impact Study

Revision R1 May 5, 2023

Submitted to
Southwest Power Pool



anedenconsulting.com

TABLE OF CONTENTS

Revision History	R-1
Executive Summary	ES-1
1.0 Scope of Study	1
1.1 Reactive Power Analysis	1
1.2 Short Circuit Analysis	1
1.3 Stability Analysis	1
1.4 Steady-State Analysis	1
1.5 Necessary Interconnection Facilities & Network Upgrades	2
1.6 Study Limitations	2
2.0 Surplus Interconnection Service Request	3
3.0 Reactive Power Analysis	6
3.1 Methodology and Criteria	6
3.2 Results	6
4.0 Short Circuit Analysis	8
4.1 Methodology	8
4.2 Results	8
5.0 Dynamic Stability Analysis	10
5.1 Methodology and Criteria	10
5.2 Fault Definitions	11
5.3 Scenario 1 Results	15
5.4 Scenario 2 Results	16
6.0 Necessary Interconnection Facilities and Network Upgrades	18
6.1 Interconnection Facilities	18
6.2 Network Upgrades	18
7.0 Surplus Interconnection Service Determination and Requirements	19
7.1 Surplus Service Determination	19
7.2 Surplus Service Requirements	19

LIST OF TABLES

Table ES-1: EGF & SGF Configuration ES-1
 Table ES-2: SGF Interconnection Configuration..... ES-2
 Table 2-1: EGF & SGF Configuration..... 3
 Table 2-2: SGF Interconnection Configuration 5
 Table 4-1: Short Circuit Model Parameters* 8
 Table 4-2: POI Short Circuit Comparison Results..... 8
 Table 4-3: 25SP Short Circuit Comparison Results..... 9
 Table 5-1: Study Scenarios (Generator Dispatch MW) 10
 Table 5-2: Fault Definitions..... 11
 Table 5-3: Scenario 1 Dynamic Stability Results (EGF = 0 MW, SGF = 85 MW)..... 15
 Table 5-4: Scenario 2 Dynamic Stability Results (EGF = 214.2 MW, SGF = 85 MW)..... 16

LIST OF FIGURES

Figure 2-1: GEN-2007-044 Single Line Diagram (EGF Existing Configuration*)..... 4
 Figure 2-2: GEN-2007-044 & GEN-2023-SR5 Single Line Diagram (EGF & SGF Configuration)..... 4
 Figure 3-1: GEN-2023-SR5 Single Line Diagram (Shunt Sizes) 7

APPENDICES

- APPENDIX A: GEN-2023-SR5 Generator Dynamic Model
- APPENDIX B: Short Circuit Results
- APPENDIX C: Dynamic Stability Results with Existing Base Case Issues & Simulation Plots

Revision History

DATE OR VERSION NUMBER	AUTHOR	CHANGE DESCRIPTION
5/5/2023	Aneiden Consulting	Initial Report Issued

Executive Summary

Aneden Consulting (Aneden) was retained by the Southwest Power Pool (SPP) to perform a Surplus Interconnection Service Impact Study (Study) for GEN-2023-SR5 to utilize the Surplus Interconnection Service being made available by the GEN-2007-044 at its existing Point of Interconnection (POI), the Tatonga 345 kV Substation in the Oklahoma Gas & Electric Company (OG&E) control area.

GEN-2023-SR5, the proposed Surplus Generating Facility (SGF), will connect to one of the existing GEN-2007-044 main collection substations and share one of its main power transformers.

GEN-2007-044, the Existing Generating Facility (EGF), has an effective Generator Interconnection Agreement (GIA) with a POI capacity of 299.2 MW and is making 85 MW of Surplus Interconnection Service available at its point of interconnection. Per the SPP Open Access Transmission Tariff (SPP Tariff), the amount of Surplus Interconnection Service available to the SGF is limited by the amount of Interconnection Service granted to the EGF at the same POI. In addition, the Surplus Interconnection Service is only available up to the amount that can be accommodated without requiring additional Network Upgrades unless specified in the SPP Tariff¹.

The proposed SGF configuration consists of 22 x PE FP4200M2 Battery Energy Storage System (BESS) inverters operating at 3.864 MW for a total assumed dispatch of 85 MW. The inverters are rated at 4.2 MW, thus the generating capability of the SGF (92.4 MW) exceeds its requested Surplus Interconnection Service of 85 MW. The injection amount of the SGF must be limited to 85 MW at the POI. The combined generation from both the SGF and the EGF may not exceed 299.2 MW at the POI. GEN-2023-SR5 includes the use of a Power Plant Controller (PPC) to limit the power injection as required. The SGF and EGF information is shown in Table ES-1 below.

The detailed SGF configuration is captured in Table ES-2 below.

Table ES-1: EGF & SGF Configuration

Request	Interconnection Queue Capacity (MW)	Fuel Type	Point of Interconnection
GEN-2023-SR5 (SGF)	85	Battery/Storage	Tatonga 345 kV (515407)
GEN-2007-044 (EGF)	299.2	Wind	Tatonga 345 kV (515407)

¹ Allowed Network Upgrades detailed in SPP Open Access Transmission Tariff Attachment V Section 3.3

Table ES-2: SGF Interconnection Configuration

Facility	SGF Configuration
Point of Interconnection	Tatonga 345 kV (515407)
Configuration/Capacity	22 x PE FP4200M2 operating at 3.864 MW (BESS) = 85 MW [dispatch] Units are rated at 4.2 MW, PPC to limit GEN-2023-SR5 to 85 MW at the POI and total POI injection w/ GEN-2007-044 to 299.2 MW
Generation Interconnection Line (Shared with the EGF and unchanged)	Length = 23 miles R = 0.001140 pu X = 0.011210 pu B = 0.200160 pu Rating MVA = 1019 MVA
Main Substation Transformer ¹ (Shared with the EGF and unchanged)	X12 = 7.997% R12 = 0.226%, X23 = 1.099% R23 = 0.053%, X13 = 4.647% R13 = 0.166%, Winding MVA = 69 MVA, Winding 1 & 2 Rating MVA = 115 MVA Winding 3 Rating MVA = 34.5 MVA
Equivalent GSU Transformer ¹	Gen 1 Equivalent Qty: 22 X = 8.998%, R = 0.874%, Winding MVA = 92.554 MVA, Rating MVA ² = 92.6 MVA
Generator Dynamic Model ³ & Power Factor	22 x PE FP4200M2 4.2 MVA (REGCAU1) ³ Leading: 0.92 Lagging: 0.92

1) X/R based on Winding MVA, 2) Rating rounded in PSS/E, 3) DYR stability model name

SPP determined that steady-state analysis was not required because the addition of the SGF does not increase the maximum active power output of 299.2 MW. In addition, the EGF was previously studied at maximum Interconnection Service under all necessary reliability conditions.

The scope of this study included reactive power analysis, short circuit analysis, and dynamic stability analysis.

Aneden performed the analyses using the study data provided for the SGF and the DISIS-2017-002-1 study models:

- 2025 Summer Peak (25SP),
- 2025 Winter Peak (25WP)

All analyses were performed using the Siemens PTI PSS/E² version 34 software and the results are summarized below.

The results of the reactive power analysis using the 25SP model showed that the SGF project did not need a shunt reactor at the project substation to reduce the POI MVAR to zero when the EGF project had a shunt compensating for its charging effects. No additional compensation was necessary to offset the capacitive effect on the transmission network caused by the project during reduced generation conditions. The information gathered from the reactive power analysis is provided as information to the Interconnection Customer and Transmission Owner (TO) and/or Transmission Operator. The applicable reactive power requirements will be further reviewed by the Transmission Owner and/or Transmission Operator.

² Power System Simulator for Engineering

The short circuit analysis was performed using the 25SP stability model modified for short circuit analysis. The results from the short circuit analysis compared the 25SP model with the EGF online and SGF not connected to the SGF study model (EGF and SGF online). The maximum contribution to three-phase fault currents in the immediate transmission systems due to the addition of the SGF was not greater than 0.10 kA. The maximum three-phase fault current level within 5 buses of the POI with the EGF and SGF generators online was below 48 kA for the 25SP model. There were several buses with a maximum three-phase fault current over 40 kA. These buses are highlighted in Appendix B.

The dynamic stability analysis was performed using Siemens PTI PSS/E version 34.8.0 software for the two modified study models: 25SP and 25WP, each with two dispatch scenarios. 36 events were simulated, which included three-phase faults and single-line-to-ground stuck breaker faults.

- Scenario 1: SGF at maximum assumed dispatch, 85 MW, and EGF disconnected.
- Scenario 2: SGF at maximum assumed dispatch, 85 MW, and EGF dispatched with the remaining 214.2 MW for a total combination of 299.2 MW.

The results of the dynamic stability analysis showed several existing base case issues that were found in both the original DISIS-2017-002-1 model and in the model with GEN-2023-SR5 included. These issues were not attributed to the GEN-2023-SR5 surplus request and are detailed in Appendix C.

There were no damping or voltage recovery violations attributed to the GEN-2023-SR5 surplus request observed during the simulated faults. Additionally, the project was found to stay connected during the contingencies that were studied and, therefore, will meet the Low Voltage Ride Through (LVRT) requirements of FERC Order #661A.

The results of the study showed that the Surplus Interconnection Service Request by GEN-2023-SR5 did not negatively impact the reliability of the Transmission System. There were no additional Interconnection Facilities or Network Upgrades identified by the analyses.

SPP has determined that GEN-2023-SR5 may utilize the requested 85 MW of Surplus Interconnection Service being made available by the EGF. The combined generation from both the SGF and the EGF may not exceed 299.2 MW at the POI.

The customer must install monitoring and control equipment as needed to ensure that the SGF does not exceed the granted surplus amount and to ensure that combination of the SGF and EGF power injected at the POI does not exceed the Interconnection Service amount listed in the EGF's GIA. The monitoring and control scheme may be reviewed by the TO and documented in Appendix C of the SGF GIA.

In accordance with FERC Order No. 827, both the SGF and EGF will be required to provide dynamic reactive power within the range of 0.95 leading to 0.95 lagging at the high-side of the generator substation.

It is likely that the customer may be required to reduce its generation output to 0 MW in real-time, also known as curtailment, under certain system conditions to allow system operators to maintain the reliability of the transmission network.

Nothing in this study should be construed as a guarantee of transmission service or delivery rights. If the customer wishes to obtain deliverability to final customers, a separate request for transmission service must be requested on Southwest Power Pool's OASIS by the customer.

1.0 Scope of Study

Aneden Consulting (Aneden) was retained by the Southwest Power Pool (SPP) to perform a Surplus Service Impact Study (Study) for GEN-2023-SR5, the Surplus Generating Facility (SGF). A Surplus Service Impact Study is performed to identify the impact of the Surplus Interconnection Service on the transmission system reliability and any additional Interconnection Facilities necessary pursuant to the SPP Generator Interconnection Procedures (“GIP”) contained in Attachment V Section 3.3 of the SPP Open Access Transmission Tariff (SPP Tariff). The amount of Surplus Interconnection Service available to be used by the SGF is limited by the amount of Interconnection Service granted to the existing interconnection customer for the Existing Generating Facility (EGF) at the same POI. The Surplus Interconnection Service is only available up to the amount that can be accommodated without requiring additional Network Upgrades unless specified in the SPP Tariff³. The required scope of the study is dependent upon the EGF and SGF specifications. The criteria sections below include the basis of the analyses included in the scope of study.

All analyses were performed using the Siemens PTI PSS/E version 34 software. The results of each analysis are presented in the following sections.

1.1 Reactive Power Analysis

SPP requires that a reactive power analysis be performed on the requested configuration if it is a non-synchronous resource. The reactive power analysis determines the added capacitive effect at the POI caused by the project’s collection system and transmission line’s capacitance. A shunt reactor size was determined for the SGF to offset the capacitive effect and maintain zero (0) MVar injection at the POI while the plant’s generators and capacitors were offline, and the EGF project had a shunt compensating for its charging effects.

1.2 Short Circuit Analysis

SPP requires that a short circuit analysis be performed to determine the maximum available fault current requiring interruption by protective equipment with both the SGF and EGF online, along with the amount of increase in maximum fault current due to the addition of the SGF. The analysis was performed on two scenarios, with the EGF in service and SGF offline, and the modified model with both EGF and SGF in service.

1.3 Stability Analysis

SPP requires that a dynamic stability analysis be performed to determine whether the SGF, EGF, and the transmission system will remain stable and within applicable criteria. Dynamic stability analysis was performed on two dispatch scenarios, the first where the SGF was online at 100% of the assumed dispatch with the EGF offline and disconnected, and the second where the SGF was online at 100% of the assumed dispatch and the EGF was picking up the remaining EGF GIA capacity. The stability analysis will identify any additional Interconnection Facilities and Network Upgrades necessary.

1.4 Steady-State Analysis

The steady-state (thermal/voltage) analyses may be performed as necessary to ensure that all required reliability conditions are studied. If the EGF was not studied under off-peak conditions, off-peak steady state analyses shall be performed to the required level necessary to demonstrate reliable operation of the Surplus Interconnection Service. If the original system impact study is not available for the

³ Allowed Network Upgrades detailed in SPP Open Access Transmission Tariff Attachment V Section 3.3

Interconnection Service, both off-peak and peak analysis may need to be performed for the EGF associated with the request.

An SGF that includes a fuel type (synchronous/non-synchronous) different from the EGF may require a steady-state analysis to study impacts resultant from changes in dispatch to all equal and lower queued requests. The steady-state analysis will identify any additional Interconnection Facilities and Network Upgrades necessary.

1.5 Necessary Interconnection Facilities & Network Upgrades

The SPP Tariff⁴ states that the reactive power, short circuit/fault duty, stability, and steady-state analyses (where applicable) for the Surplus Interconnection Service will identify any additional Interconnection Facilities necessary. In addition, the analyses will determine if any Network Upgrades are required for mitigation. The Surplus Interconnection Service is only available up to the amount that can be accommodated without requiring additional Network Upgrades unless (a) those additional Network Upgrades are either (1) located at the Point of Interconnection substation and at the same voltage level as the Generating Facility with an effective GIA, or (2) are System Protection Facilities; and (b) there are no material adverse impacts on the cost or timing of any Interconnection Requests pending at the time the Surplus Interconnection Service request is submitted.

1.6 Study Limitations

The assessments and conclusions provided in this report are based on assumptions and information provided to Aneden by others. While the assumptions and information provided may be appropriate for the purposes of this report, Aneden does not guarantee that those conditions assumed will occur. In addition, Aneden did not independently verify the accuracy or completeness of the information provided. As such, the conclusions and results presented in this report may vary depending on the extent to which actual future conditions differ from the assumptions made or information used herein.

⁴ SPP Open Access Transmission Tariff Section 3.3.4.1

2.0 Surplus Interconnection Service Request

The GEN-2023-SR5 Interconnection Customer has requested a Surplus Interconnection Service Impact Study (Study) for GEN-2023-SR5 to utilize the Surplus Interconnection Service being made available by GEN-2007-044 at its existing Point of Interconnection (POI), the Tatonga 345 kV substation in the Oklahoma Gas & Electric Company (OG&E) control area.

GEN-2023-SR5, the proposed SGF, will connect to one of the existing GEN-2007-044 main collection substations and share one of its main power transformers.

GEN-2007-044, the EGF, has an effective Generation Interconnection Agreement (GIA) with a POI capacity of 299.2 MW and is making 85 MW of Surplus Interconnection Service available at its point of interconnection. Per the SPP Tariff the amount of Surplus Interconnection Service available to the SGF is limited by the amount of Interconnection Service granted to the EGF at the same POI. In addition, the Surplus Interconnection Service is only available up to the amount that can be accommodated without requiring Network Upgrades unless specified in the SPP Tariff.

At the time of the posting of this report, GEN-2007-044 (EGF) is an active existing generator at the same POI (Tatonga 345 kV) with a queue status of “IA FULLY EXECUTED/COMMERCIAL OPERATION”. GEN-2007-044 is a wind farm, has a maximum summer and winter queue capacity of 299.2 MW, and has Energy Resource Interconnection Service (ERIS). The EGF was originally studied in the ICS-2008-001 study. Figure 2-1 shows the power flow model single line diagram for the EGF configuration.

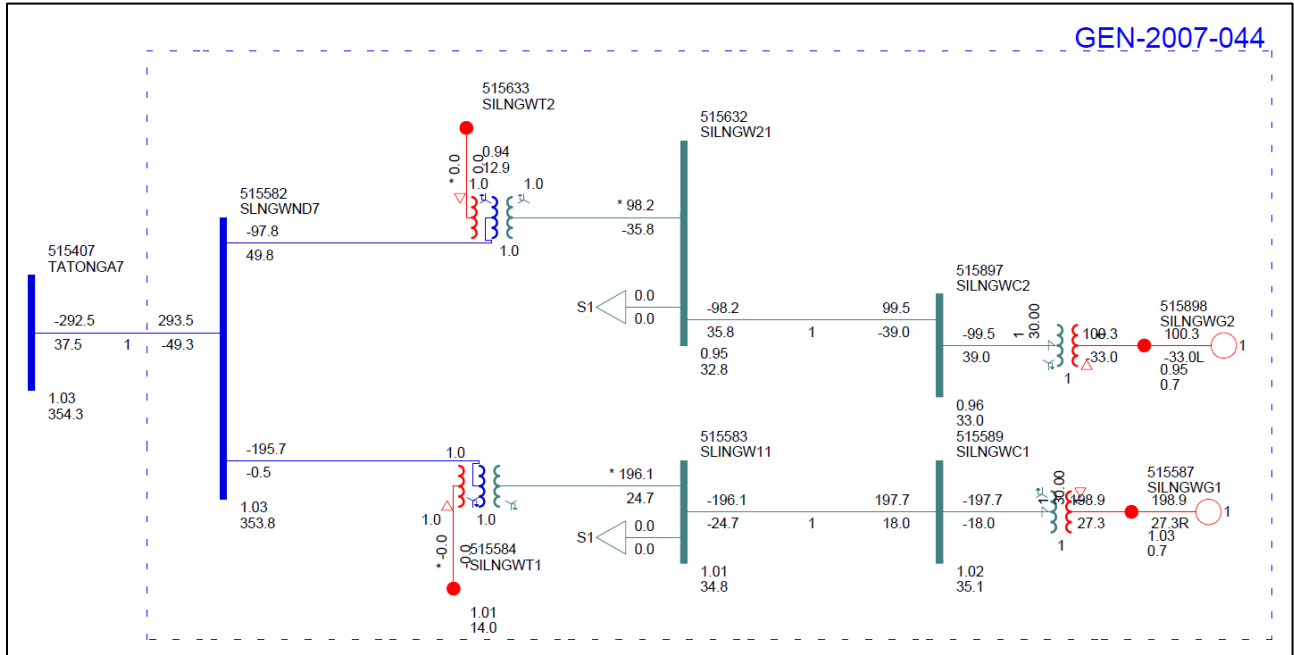
The proposed SGF configuration consists of 22 x PE FP4200M2 Battery Energy Storage System (BESS) inverters operating at 3.864 MW for a total assumed dispatch of 85 MW. The inverters are rated at 4.2 MW, thus the generating capability of the SGF (92.4 MW) exceeds its requested Surplus Interconnection Service of 85 MW. The injection amount of the SGF must be limited to 85 MW at the POI. The combined generation from both the SGF and the EGF may not exceed 299.2 MW at the POI. GEN-2023-SR5 includes the use of a Power Plant Controller (PPC) to limit the power injection as required. The SGF and EGF information is shown in Table 2-1 below.

The proposed detailed SGF configuration is captured in Figure 2-2 and Table 2-2 below.

Table 2-1: EGF & SGF Configuration

Request	Interconnection Queue Capacity (MW)	Fuel Type	Point of Interconnection
GEN-2023-SR5 (SGF)	85	Battery/Storage	Tatonga 345 kV (515407)
GEN-2007-044 (EGF)	299.2	Wind	Tatonga 345 kV (515407)

Figure 2-1: GEN-2007-044 Single Line Diagram (EGF Existing Configuration*)



*based on the DISIS-2017-002-1 stability models

Figure 2-2: GEN-2007-044 & GEN-2023-SR5 Single Line Diagram (EGF & SGF Configuration)

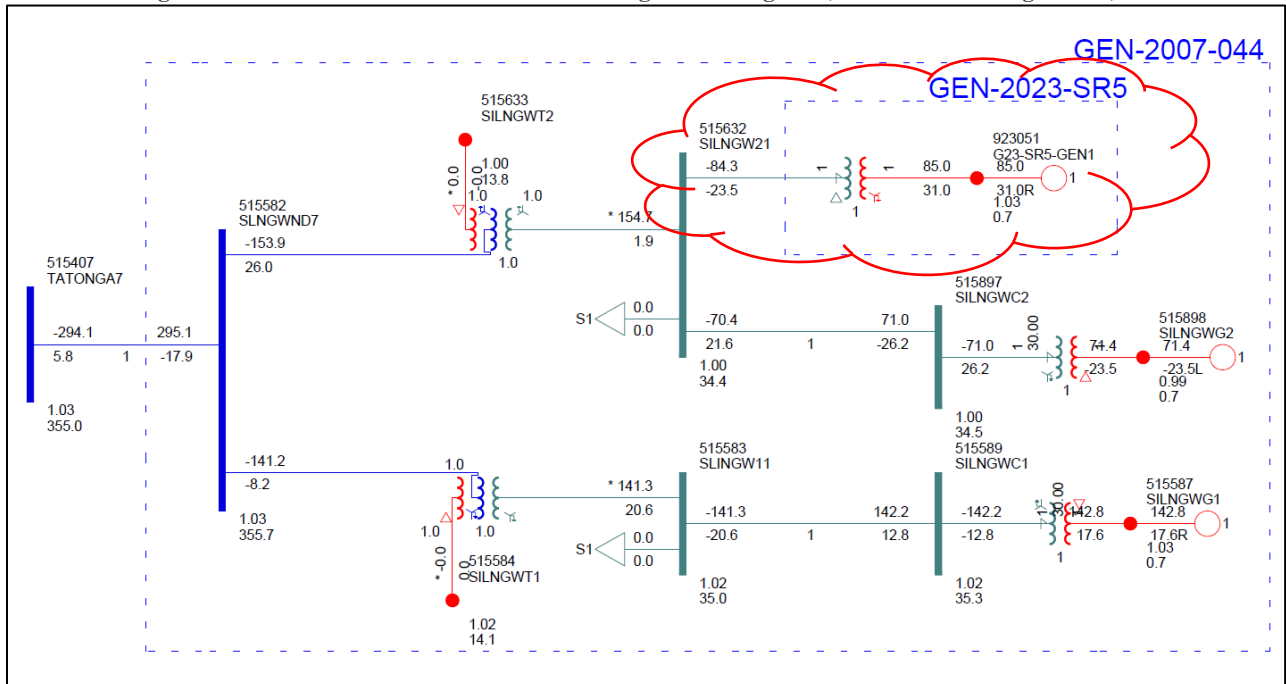


Table 2-2: SGF Interconnection Configuration

Facility	SGF Configuration
Point of Interconnection	Tatonga 345 kV (515407)
Configuration/Capacity	22 x PE FP4200M2 operating at 3.864 MW (BESS) = 85 MW [dispatch] Units are rated at 4.2 MW, PPC to limit GEN-2023-SR5 to 85 MW at the POI and total POI injection w/ GEN-2007-044 to 299.2 MW
Generation Interconnection Line (Shared with the EGF and unchanged)	Length = 23 miles R = 0.001140 pu X = 0.011210 pu B = 0.200160 pu Rating MVA = 1019 MVA
Main Substation Transformer ¹ (Shared with the EGF and unchanged)	X12 = 7.997% R12 = 0.226%, X23 = 1.099% R23 = 0.053%, X13 = 4.647% R13 = 0.166%, Winding MVA = 69 MVA, Winding 1 & 2 Rating MVA = 115 MVA Winding 3 Rating MVA = 34.5 MVA
Equivalent GSU Transformer ¹	Gen 1 Equivalent Qty: 22 X = 8.998%, R = 0.874%, Winding MVA = 92.554 MVA, Rating MVA ² = 92.6 MVA
Generator Dynamic Model ³ & Power Factor	22 x PE FP4200M2 4.2 MVA (REGCAU1) ³ Leading: 0.92 Lagging: 0.92

1) X/R based on Winding MVA, 2) Rating rounded in PSS/E, 3) Dyr stability model name

3.0 Reactive Power Analysis

The reactive power analysis was performed for GEN-2023-SR5 to determine the capacitive charging effects due to the SGF during reduced generation conditions (unsuitable wind speeds, unsuitable solar irradiance, insufficient state of charge, idle conditions, curtailment, etc.) at the generation site, and to size shunt reactors that would reduce the project reactive power contribution to the POI to approximately zero.

3.1 Methodology and Criteria

In order to determine the required shunt reactor size the SGF would need to compensate for the current charging attributed to its collection system, the reactive power analysis for the EGF was determined first. Once the shunt size for the EGF was determined, the SGF incremental shunt reactor size was then calculated.

For each of the shunt reactor sizes calculated, all project generators were switched offline while other collector system elements remained in-service. A shunt reactor was tested at the project's collection substation 34.5 kV bus to set the MVAR flow into the POI to approximately zero. The size of the shunt reactor is equivalent to the charging current value at unity voltage and the compensation provided is proportional to the voltage effects on the charging current (i.e., for voltages above unity, reactive compensation is greater than the size of the reactor).

Aneden performed the reactive power analysis using the SGF data based on the 25SP DISIS-2017-002-1 stability study model.

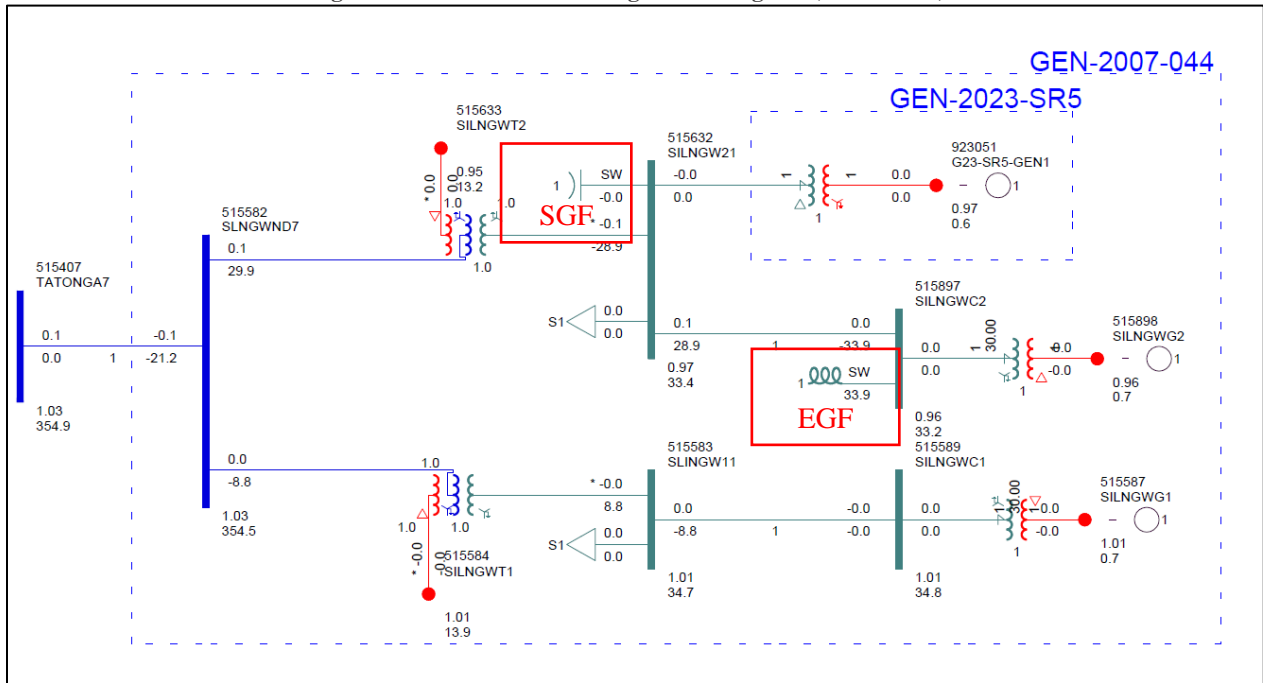
3.2 Results

Per the methodology described above, the shunt size was determined for the EGF prior to calculating the shunt reactor size for the SGF. The shunt size was found to be a 36.6 MVAR reactor for the EGF to reduce the POI MVAR to approximately zero.

The results from the analysis showed that the SGF did not need a shunt reactor at the project substation to reduce the POI MVAR to zero with the pre-determined shunt for the EGF in-service. Figure 3-1 illustrates that no additional compensation was necessary to offset the capacitive effect on the transmission network caused by the project during reduced generation conditions.

The information gathered from the reactive power analysis is provided as information to the Interconnection Customer and Transmission Owner (TO) and/or Transmission Operator. The applicable reactive power requirements will be further reviewed by the Transmission Owner and/or Transmission Operator.

Figure 3-1: GEN-2023-SR5 Single Line Diagram (Shunt Sizes)



4.0 Short Circuit Analysis

A short circuit study was performed using the 25SP model to determine the maximum available fault current requiring interruption by protective equipment with both the SGF and EGF online for each bus in the relevant subsystem, and the amount of increase in maximum fault current due to the addition of the SGF. The detailed results of the short circuit analysis are provided in Appendix B.

4.1 Methodology

The short circuit analysis included applying a 3-phase fault on buses up to 5 levels away from the 345 kV POI bus. The PSS/E “Automatic Sequence Fault Calculation (ASCC)” fault analysis module was used to calculate the fault current levels in the transmission system with and without the SGF online. The first scenario was studied with both the SGF and EGF in service. In the second scenario the SGF was disconnected while the EGF stayed online in order to determine the impact of the SGF.

Aneden created a short circuit model using the 25SP DISIS-2017-002-1 stability study model by adjusting the SGF short circuit parameters consistent with the submitted data. The adjusted parameters used in the short circuit analysis are shown in Table 4-1 below.

Table 4-1: Short Circuit Model Parameters*

Parameter	Value by Generator Bus#
	923051
Machine MVA Base	92.4
R (pu)	0.0
X'' (pu)	0.893

*pu values based on Machine MVA Base

4.2 Results

The results of the short circuit analysis compared the 25SP model with the EGF online and SGF not connected to the stability Scenario 2 dispatch model with both the EGF and SGF in service as described in Section 5.1. The GEN-2023-SR5 POI bus (Tatonga 345 kV – 515407) fault current magnitudes are provided in Table 4-2 showing a maximum fault current of 17.91 kA with the EGF and SGF online. The addition of the SGF configuration increased the POI bus fault current by 0.10 kA. Table 4-3 shows the maximum fault current magnitudes and fault current increases with the SGF project online.

The maximum fault current calculated within 5 buses of the POI was less than 48 kA for the 25SP model. There were several buses with a maximum three-phase fault current over 40 kA. These buses are highlighted in Appendix B. The maximum contribution to three-phase fault currents due to the addition of the SGF was about 0.6% and 0.10 kA.

Table 4-2: POI Short Circuit Comparison Results

Case	EGF Only Current (kA)	SGF & EGF Current (kA)	Max kA Change	Max %Change
25SP	17.81	17.91	0.10	0.6%

Table 4-3: 25SP Short Circuit Comparison Results

Voltage (kV)	Max. Current (EGF & SGF) (kA)	Max kA Change	Max %Change
69	8.8	0.00	0.0%
138	47.3	0.01	0.1%
230	21.5	0.00	0.0%
345	36.6	0.10	0.6%
Max	47.3	0.10	0.6%

5.0 Dynamic Stability Analysis

Aneden performed a dynamic stability analysis to identify the impact of the SGF project. The analysis was performed according to SPP's Disturbance Performance Requirements⁵. The project details are described in Section 2.0 above and the dynamic modeling data is provided in Appendix A. The existing base case issues and simulation plots can be found in Appendix C.

5.1 Methodology and Criteria

The dynamic stability analysis was performed using models developed with the requested 22 x PE FP4200M2 3.864 MW (REGCAU1) SGF generating facility configuration included in the models. This stability analysis was performed using Siemens PTI's PSS/E version 34.8.0 software.

Two stability model scenarios were developed using the models from DISIS-2017-002-1. The first scenario (Scenario 1) was comprised of the SGF online at 100% of the assumed dispatch (SGF = 85 MW) while the EGF generator was offline and disconnected. The second scenario (Scenario 2) was comprised of the SGF online at 100% of the assumed dispatch (SGF = 85 MW) while the EGF generator was picking up the remaining EGF GIA capacity (EGF = 214.2 MW). The study scenarios are shown in Table 5-1.

Table 5-1: Study Scenarios (Generator Dispatch MW)

Scenario	GEN-2007-044 EGF (MW)	GEN-2023-SR5 SGF (MW)	EGF + SGF (MW)
1	0 (Offline)	85	85
2	214.2	85	299.2

The GEN-2023-SR5 project details were used to create modified stability models for this impact study based on the DISIS-2017-002-1 stability study models:

- 2025 Summer Peak (25SP),
- 2025 Winter Peak (25WP)

The dynamic model data for the GEN-2023-SR5 project is provided in Appendix A. The power flow models and associated dynamic database were initialized (no-fault test) to confirm that there were no errors in the initial conditions of the system and the dynamic data.

The following system adjustments were made to address existing base case issues that are not attributed to the surplus request:

- The frequency protective relays at buses 599117, 515551, 599119, 599120, 515882, 515883, 515664, & 515665 were disabled after observing the generators tripping during initial three phase fault simulations. This frequency tripping issue is a known PSS/E limitation when calculating bus frequency as it relates to non-conventional type devices.
- The voltage protective relays at buses 515969, 515968, 515967, 515986, 515985, 515984, 587953, 587953, 539852, 539853, 539845, 539846, 539847, 539848, 515664, & 515665 were disabled to avoid generator tripping due to an instantaneous over voltage spike after fault clearing.

⁵ [SPP Disturbance Performance Requirements:](https://www.spp.org/documents/28859/spp%20disturbance%20performance%20requirements%20(twg%20approved).pdf)

[https://www.spp.org/documents/28859/spp%20disturbance%20performance%20requirements%20\(twg%20approved\).pdf](https://www.spp.org/documents/28859/spp%20disturbance%20performance%20requirements%20(twg%20approved).pdf)

- The fault simulation file acceleration factor was reduced as needed to resolve stability simulation crashes.

During the fault simulations, the active power (PELEC), reactive power (QELEC), and terminal voltage (ETERM) were monitored for the EGF and SGF and other current and prior queued projects in their cluster group⁶. In addition, voltages of five (5) buses away from the POI of the SGF were monitored and plotted. The machine rotor angle for synchronous machines and speed for asynchronous machines within the study areas including 330 (AECI), 515 (SWPA), 520 (AEPW), 523 (GRDA), 524 (OKGE), 525 (WFEC), 527 (OMPA), and 534 (SUNC) were monitored. The voltages of all 100 kV and above buses within the study area were monitored as well.

5.2 Fault Definitions

Aneden developed and simulated fault events as required to study the SGF. The new set of faults was simulated using the modified study models. The fault events included three-phase faults and single-line-to-ground stuck breaker faults. Single-line-to-ground faults are approximated by applying a fault impedance to bring the faulted bus positive sequence voltage to 0.6 pu. The simulated faults are listed and described in Table 5-2 below. These contingencies were applied to the modified 25SP and 25WP models.

Table 5-2: Fault Definitions

Fault ID	Planning Event	Fault Descriptions
FLT9001-3PH	P1	3 phase fault on the TATONGA7 (515407) to MATHWSN7 (515497) 345 kV line CKT 1, near TATONGA7. a. Apply fault at the TATONGA7 345 kV bus. b. Clear fault after 6 cycles by tripping the faulted line. c. Wait 20 cycles, and then re-close the line in (b) back into the fault. d. Leave fault on for 6 cycles, then trip the line in (b) and remove fault.
FLT9002-3PH	P1	3 phase fault on the TATONGA7 (515407) to WWRDEHV7 (515375) 345 kV line CKT 1, near TATONGA7. a. Apply fault at the TATONGA7 345 kV bus. b. Clear fault after 6 cycles by tripping the faulted line. c. Wait 20 cycles, and then re-close the line in (b) back into the fault. d. Leave fault on for 6 cycles, then trip the line in (b) and remove fault.
FLT9003-3PH	P1	3 phase fault on the MATHWSN7 (515497) to TRAVERSE3 (900001) 345 kV line CKT 1, near MATHWSN7. a. Apply fault at the MATHWSN7 345 kV bus. b. Clear fault after 6 cycles by tripping the faulted line. Trip generator G16-045-GEN1 (587303). Trip generator G16-045-GEN2 (587307). Trip generator G16-045-GEN3 (587300). Trip generator G16-057-GEN1 (587383). Trip generator G16-057-GEN2 (587387). Trip generator G16-057-GEN3 (587380). c. Wait 20 cycles, and then re-close the line in (b) back into the fault. d. Leave fault on for 6 cycles, then trip the line in (b) and remove fault.
FLT9004-3PH	P1	3 phase fault on the MATHWSN7 (515497) to REDNGTN7 (515875) 345 kV line CKT 1, near MATHWSN7. a. Apply fault at the MATHWSN7 345 kV bus. b. Clear fault after 6 cycles by tripping the faulted line. c. Wait 20 cycles, and then re-close the line in (b) back into the fault. d. Leave fault on for 6 cycles, then trip the line in (b) and remove fault.
FLT9005-3PH	P1	3 phase fault on the MATHWSN7 (515497) to CIMARON7 (514901) 345 kV line CKT 1, near MATHWSN7. a. Apply fault at the MATHWSN7 345 kV bus. b. Clear fault after 6 cycles by tripping the faulted line. c. Wait 20 cycles, and then re-close the line in (b) back into the fault. d. Leave fault on for 6 cycles, then trip the line in (b) and remove fault.

⁶ Based on the DISIS-2017-002 Cluster Groups

Table 5-2 Continued

Fault ID	Planning Event	Fault Descriptions
FLT9006-3PH	P1	3 phase fault on the MATHWSN7 (515497) to NORTWST7 (514880) 345 kV line CKT 1, near MATHWSN7. a. Apply fault at the MATHWSN7 345 kV bus. b. Clear fault after 6 cycles by tripping the faulted line. c. Wait 20 cycles, and then re-close the line in (b) back into the fault. d. Leave fault on for 6 cycles, then trip the line in (b) and remove fault.
FLT9007-3PH	P1	3 phase fault on the WWRDEHV 345 kV (515375) /138 kV (515376) /13.8 kV (515795) XFMR CKT 1, near WWRDEHV7 345 kV. a. Apply fault at the WWRDEHV7 345kV bus. b. Clear fault after 6 cycles and trip the faulted transformer.
FLT9008-3PH	P1	3 phase fault on the WWRDEHV7 (515375) to G16-003-TAP (560071) 345 kV line CKT 1, near WWRDEHV7. a. Apply fault at the WWRDEHV7 345 kV bus. b. Clear fault after 6 cycles by tripping the faulted line. c. Wait 20 cycles, and then re-close the line in (b) back into the fault. d. Leave fault on for 6 cycles, then trip the line in (b) and remove fault.
FLT9009-3PH	P1	3 phase fault on the WWRDEHV7 (515375) to G007621119-20 (515599) 345 kV line CKT 1, near WWRDEHV7. a. Apply fault at the WWRDEHV7 345 kV bus. b. Clear fault after 6 cycles by tripping the faulted line. Trip generator PC2_WTG1 (585443). Trip generator PC2_WTG2 (585446). Trip generator CB_WTG1 (585423). Trip generator CB_WTG2 (585426). c. Wait 20 cycles, and then re-close the line in (b) back into the fault. d. Leave fault on for 6 cycles, then trip the line in (b) and remove fault.
FLT9010-3PH	P1	3 phase fault on the WWRDEHV7 (515375) to DGRASSE7 (515852) 345 kV line CKT 1, near WWRDEHV7. a. Apply fault at the WWRDEHV7 345 kV bus. b. Clear fault after 6 cycles by tripping the faulted line. c. Wait 20 cycles, and then re-close the line in (b) back into the fault. d. Leave fault on for 6 cycles, then trip the line in (b) and remove fault.
FLT9011-3PH	P1	3 phase fault on the WWRDEHV7 (515375) to WWDBORDT (755000) 345 kV line CKT 1, near WWRDEHV7. a. Apply fault at the WWRDEHV7 345 kV bus. b. Clear fault after 6 cycles by tripping the faulted line. c. Wait 20 cycles, and then re-close the line in (b) back into the fault. d. Leave fault on for 6 cycles, then trip the line in (b) and remove fault.
FLT9012-3PH	P1	3 phase fault on the WWRDEHV7 (515375) to GUTHRIE7 (515961) 345 kV line CKT 1, near WWRDEHV7. a. Apply fault at the WWRDEHV7 345 kV bus. b. Clear fault after 6 cycles by tripping the faulted line. Trip generator GRTWSG11 (515859). Trip generator GRTWSG21 (515821). Trip generator PRSMNG11 (515955). c. Wait 20 cycles, and then re-close the line in (b) back into the fault. d. Leave fault on for 6 cycles, then trip the line in (b) and remove fault.
FLT9013-3PH	P1	3 phase fault on the DGRASSE 345 kV (515852) /138 kV (515853) /13.8 kV (515854) XFMR CKT 1, near DGRASSE1 345 kV. a. Apply fault at the DGRASSE1 345kV bus. b. Clear fault after 6 cycles and trip the faulted transformer.
FLT9014-3PH	P1	3 phase fault on the DGRASSE7 (515852) to THISTLE7 (539801) 345 kV line CKT 1, near DGRASSE7. a. Apply fault at the DGRASSE7 345 kV bus. b. Clear fault after 6 cycles by tripping the faulted line. c. Wait 20 cycles, and then re-close the line in (b) back into the fault. d. Leave fault on for 6 cycles, then trip the line in (b) and remove fault.
FLT9015-3PH	P1	3 phase fault on the WWDBORDT (755000) to BORDER 7 (515458) 345 kV line CKT 1, near WWDBORDT. a. Apply fault at the WWDBORDT 345 kV bus. b. Clear fault after 6 cycles by tripping the faulted line. c. Wait 20 cycles, and then re-close the line in (b) back into the fault. d. Leave fault on for 6 cycles, then trip the line in (b) and remove fault.

Table 5-2 Continued

Fault ID	Planning Event	Fault Descriptions
FLT9016-3PH	P1	3 phase fault on the WWDBORDT (755000) to CHISHOLM7 (511553) 345 kV line CKT 1, near WWDBORDT. a. Apply fault at the WWDBORDT 345 kV bus. b. Clear fault after 6 cycles by tripping the faulted line. c. Wait 20 cycles, and then re-close the line in (b) back into the fault. d. Leave fault on for 6 cycles, then trip the line in (b) and remove fault.
FLT9017-3PH	P1	3 phase fault on the G16-003-TAP (560071) to BADGER 7 (515677) 345 kV line CKT 1, near G16-003-TAP. a. Apply fault at the G16-003-TAP 345 kV bus. b. Clear fault after 6 cycles by tripping the faulted line. c. Wait 20 cycles, and then re-close the line in (b) back into the fault. d. Leave fault on for 6 cycles, then trip the line in (b) and remove fault.
FLT9018-3PH	P1	3 phase fault on the REDNGTN7 (515875) to WOODRNG7 (514715) 345 kV line CKT 1, near REDNGTN7. a. Apply fault at the REDNGTN7 345 kV bus. b. Clear fault after 6 cycles by tripping the faulted line. c. Wait 20 cycles, and then re-close the line in (b) back into the fault. d. Leave fault on for 6 cycles, then trip the line in (b) and remove fault.
FLT9019-3PH	P1	3 phase fault on the REDNGTN7 (515875) to REDDIRT7 (515877) 345 kV line CKT 1, near REDNGTN7. a. Apply fault at the REDNGTN7 345 kV bus. b. Clear fault after 6 cycles by tripping the faulted line. Trip generator RDDRTG11 (515882). Trip generator RDDRTG21 (515883). c. Wait 20 cycles, and then re-close the line in (b) back into the fault. d. Leave fault on for 6 cycles, then trip the line in (b) and remove fault.
FLT9020-3PH	P1	3 phase fault on the NORTHST7 (514880) to CIMARON7 (514901) 345 kV line CKT 1, near NORTHST7. a. Apply fault at the NORTHST7 345 kV bus. b. Clear fault after 6 cycles by tripping the faulted line. c. Wait 20 cycles, and then re-close the line in (b) back into the fault. d. Leave fault on for 6 cycles, then trip the line in (b) and remove fault.
FLT9021-3PH	P1	3 phase fault on the NORTHST7 (514880) to SPRNGCK7 (514881) 345 kV line CKT 1, near NORTHST7. a. Apply fault at the NORTHST7 345 kV bus. b. Clear fault after 6 cycles by tripping the faulted line. c. Wait 20 cycles, and then re-close the line in (b) back into the fault. d. Leave fault on for 6 cycles, then trip the line in (b) and remove fault.
FLT9022-3PH	P1	3 phase fault on the NORTHST7 (514880) to ARCADIA7 (514908) 345 kV line CKT 1, near NORTHST7. a. Apply fault at the NORTHST7 345 kV bus. b. Clear fault after 6 cycles by tripping the faulted line. c. Wait 20 cycles, and then re-close the line in (b) back into the fault. d. Leave fault on for 6 cycles, then trip the line in (b) and remove fault.
FLT9023-3PH	P1	3 phase fault on the NORTHST2 345 kV (514880) /138 kV (514879) /13.8 kV (515742) XFMR CKT 1, near NORTHST7 345 kV. a. Apply fault at the NORTHST7 345kV bus. b. Clear fault after 6 cycles and trip the faulted transformer.
FLT9024-3PH	P1	3 phase fault on the CIMARON7 (514901) to FSHRTAP7 (515610) 345 kV line CKT 1, near CIMARON7. a. Apply fault at the CIMARON7 345 kV bus. b. Clear fault after 6 cycles by tripping the faulted line. c. Wait 20 cycles, and then re-close the line in (b) back into the fault. d. Leave fault on for 6 cycles, then trip the line in (b) and remove fault.
FLT9025-3PH	P1	3 phase fault on the CIMARON7 (514901) to NSUB345 (555234) 345 kV line CKT 1, near CIMARON7. a. Apply fault at the CIMARON7 345 kV bus. b. Clear fault after 6 cycles by tripping the faulted line. c. Wait 20 cycles, and then re-close the line in (b) back into the fault. d. Leave fault on for 6 cycles, then trip the line in (b) and remove fault.
FLT9026-3PH	P1	3 phase fault on the CIMARON2 345 kV (514901) /138 kV (514898) /13.8 kV (515714) XFMR CKT 1, near CIMARON7 345 kV. a. Apply fault at the CIMARON7 345kV bus. b. Clear fault after 6 cycles and trip the faulted transformer.

Table 5-2 Continued

Fault ID	Planning Event	Fault Descriptions
FLT9027-3PH	P1	3 phase fault on the GUTHRIE7 (515961) to PERSIMN7 (515951) 345 kV line CKT 1, near GUTHRIE7. a. Apply fault at the GUTHRIE7 345 kV bus. b. Clear fault after 6 cycles by tripping the faulted line. Trip generator PRSMNG11 (515955). c. Wait 20 cycles, and then re-close the line in (b) back into the fault. d. Leave fault on for 6 cycles, then trip the line in (b) and remove fault.
FLT9028-3PH	P1	3 phase fault on the GUTHRIE7 (515961) to GRTWSRN7 (515825) 345 kV line CKT 1, near GUTHRIE7. a. Apply fault at the GUTHRIE7 345 kV bus. b. Clear fault after 6 cycles by tripping the faulted line. Trip generator GRTWSG11 (515859). Trip generator GRTWSG21 (515821). c. Wait 20 cycles, and then re-close the line in (b) back into the fault. d. Leave fault on for 6 cycles, then trip the line in (b) and remove fault.
FLT9029-3PH	P1	3 phase fault on the TRAVERSE3 (900001) to TRW2-TRW3 (900004) 345 kV line CKT 1, near TRAVERSE3. a. Apply fault at the TRAVERSE3 345 kV bus. b. Clear fault after 6 cycles by tripping the faulted line. Trip generator G16-045-GEN3 (587300). Trip generator G16-057-GEN1 (587383). Trip generator G16-057-GEN2 (587387). Trip generator G16-057-GEN3 (587380). c. Wait 20 cycles, and then re-close the line in (b) back into the fault. d. Leave fault on for 6 cycles, then trip the line in (b) and remove fault.
FLT9030-3PH	P1	3 phase fault on the TRAVERSE3 345 kV (900001) /34.5 kV (587301) /13.8 kV (900011) XFMR CKT 1, near TRAVERSE3 345 kV. a. Apply fault at the TRAVERSE3 345kV bus. b. Clear fault after 6 cycles and trip the faulted transformer. Trip generator G16-045-GEN1 (587303). Trip generator G16-045-GEN2 (587307).
FLT9031-3PH	P1	3 phase fault on the CIMARON7 (514901) to MINCO 7 (514801) 345 kV line CKT 1, near CIMARON7. a. Apply fault at the CIMARON7 345 kV bus. b. Clear fault after 6 cycles by tripping the faulted line. c. Wait 20 cycles, and then re-close the line in (b) back into the fault. d. Leave fault on for 6 cycles, then trip the line in (b) and remove fault.
FLT1001-SB	P4	Stuck Breaker at TATONGA7 (515407) a. Apply single phase fault at TATONGA7 bus. b. Clear fault after 16 cycles and trip the following elements c. Trip TATONGA7 (515407) to MATHWSN7 (515497) line CKT 1. d. Trip TATONGA7 (515407) to MAMTHPW7 345 kV (515585) line CKT 1. Trip generators MMTHPWG1 (515903).
FLT1002-SB	P4	Stuck Breaker at TATONGA7 (515407) a. Apply single phase fault at TATONGA7 bus. b. Clear fault after 16 cycles and trip the following elements c. Trip TATONGA7 (515407) to WWRDEHV7 (515375) line CKT 2. d. Trip TATONGA7 (515407) to SLNGWND7 345 kV (515582) line CKT 1. Trip generators SILNGWG1 (515587) and SILNGWG2 (515898). Trip generators G23-SR5-GEN1 (923051).
FLT1003-SB	P4	Stuck Breaker at WWRDEHV7 (515375) a. Apply single phase fault at WWRDEHV7 bus. b. Clear fault after 16 cycles and trip the following elements c. Trip WWRDEHV7 (515375) to GUTHRIE7 (515961) 345kV line CKT 1. d. Trip WWRDEHV7 (515375) to G16-003-TAP (560071) 345kV line CKT 2. Trip generator GRTWSG11 (515859). Trip generator GRTWSG21 (515821). Trip generator PRSMNG11 (515955).
FLT1004-SB	P4	Stuck Breaker at WWRDEHV7 (515375) a. Apply single phase fault at WWRDEHV7 bus. b. Clear fault after 16 cycles and trip the following elements c. Trip WWRDEHV7 (515375) to TATONGA (515407) 345kV line CKT 2. d. Trip WWRDEHV7 345kV (515375) / WWRDEHV4 138 kV (515376) / WWDEHV31 13.8 kV (515795) transformer CKT 1.

Table 5-2 Continued

Fault ID	Planning Event	Fault Descriptions
FLT1005-SB	P4	Stuck Breaker at WWRDEHV7 (515375) a. Apply single phase fault at WWRDEHV7 bus. b. Clear fault after 16 cycles and trip the following elements c. Trip WWRDEHV7 (515375) to TATONGA (515407) 345kV line CKT 1. d. Trip WWRDEHV7 345kV (515375) / WWRDEHV4 138 kV (515376) / WWDEHV21 13.8 kV (515799) transformer CKT 2.

5.3 Scenario 1 Results

Table 5-3 shows the relevant results of the fault events simulated for each of the modified models in Scenario 1. Existing DISIS base case issues are documented separately in Appendix C. The associated stability plots are also provided in Appendix C.

Table 5-3: Scenario 1 Dynamic Stability Results (EGF = 0 MW, SGF = 85 MW)

Fault ID	25SP			25WP		
	Voltage Violation	Voltage Recovery	Stable	Voltage Violation	Voltage Recovery	Stable
FLT9001-3PH	Pass	Pass	Stable	Pass	Pass	Stable
FLT9002-3PH	Pass	Pass	Stable	Pass	Pass	Stable
FLT9003-3PH	Pass	Pass	Stable	Pass	Pass	Stable
FLT9004-3PH	Pass	Pass	Stable	Pass	Pass	Stable
FLT9005-3PH	Pass	Pass	Stable	Pass	Pass	Stable
FLT9006-3PH	Pass	Pass	Stable	Pass	Pass	Stable
FLT9007-3PH	Pass	Pass	Stable	Pass	Pass	Stable
FLT9008-3PH	Pass	Pass	Stable	Pass	Pass	Stable
FLT9009-3PH	Pass	Pass	Stable	Pass	Pass	Stable
FLT9010-3PH	Pass	Pass	Stable	Pass	Pass	Stable
FLT9011-3PH	Pass	Pass	Stable	Pass	Pass	Stable
FLT9012-3PH	Pass	Pass	Stable	Pass	Pass	Stable
FLT9013-3PH	Pass	Pass	Stable	Pass	Pass	Stable
FLT9014-3PH	Pass	Pass	Stable	Pass	Pass	Stable
FLT9015-3PH	Pass	Pass	Stable	Pass	Pass	Stable
FLT9016-3PH	Pass	Pass	Stable	Pass	Pass	Stable
FLT9017-3PH	Pass	Pass	Stable	Pass	Pass	Stable
FLT9018-3PH	Pass	Pass	Stable	Pass	Pass	Stable
FLT9019-3PH	Pass	Pass	Stable	Pass	Pass	Stable
FLT9020-3PH	Pass	Pass	Stable	Pass	Pass	Stable
FLT9021-3PH	Pass	Pass	Stable	Pass	Pass	Stable
FLT9022-3PH	Pass	Pass	Stable	Pass	Pass	Stable
FLT9023-3PH	Pass	Pass	Stable	Pass	Pass	Stable
FLT9024-3PH	Pass	Pass	Stable	Pass	Pass	Stable
FLT9025-3PH	Pass	Pass	Stable	Pass	Pass	Stable
FLT9026-3PH	Pass	Pass	Stable	Pass	Pass	Stable
FLT9027-3PH	Pass	Pass	Stable	Pass	Pass	Stable
FLT9028-3PH	Pass	Pass	Stable	Pass	Pass	Stable
FLT9029-3PH	Pass	Pass	Stable	Pass	Pass	Stable
FLT9030-3PH	Pass	Pass	Stable	Pass	Pass	Stable
FLT9031-3PH	Pass	Pass	Stable	Pass	Pass	Stable
FLT1001-SB	Pass	Pass	Stable	Pass	Pass	Stable

Table 5-3 continued

Fault ID	25SP			25WP		
	Voltage Violation	Voltage Recovery	Stable	Voltage Violation	Voltage Recovery	Stable
FLT1002-SB	Pass	Pass	Stable	Pass	Pass	Stable
FLT1003-SB	Pass	Pass	Stable	Pass	Pass	Stable
FLT1004-SB	Pass	Pass	Stable	Pass	Pass	Stable
FLT1005-SB	Pass	Pass	Stable	Pass	Pass	Stable

The results of the Scenario 1 dynamic stability analysis showed several existing base case issues that were found in both the original DISIS-2017-002-1 model and the model with GEN-2023-SR5 included. These issues were not attributed to the GEN-2023-SR5 surplus request and detailed in Appendix C.

There were no damping or voltage recovery violations attributed to the GEN-2023-SR5 surplus request observed during the simulated faults. Additionally, the project was found to stay connected during the contingencies that were studied and, therefore, will meet the Low Voltage Ride Through (LVRT) requirements of FERC Order #661A.

5.4 Scenario 2 Results

Table 5-4 shows the relevant results of the fault events simulated for each of the modified models in Scenario 2. Existing DISIS base case issues are documented separately in Appendix C. The associated stability plots are also provided in Appendix C.

Table 5-4: Scenario 2 Dynamic Stability Results (EGF = 214.2 MW, SGF = 85 MW)

Fault ID	25SP			25WP		
	Voltage Violation	Voltage Recovery	Stable	Voltage Violation	Voltage Recovery	Stable
FLT9001-3PH	Pass	Pass	Stable	Pass	Pass	Stable
FLT9002-3PH	Pass	Pass	Stable	Pass	Pass	Stable
FLT9003-3PH	Pass	Pass	Stable	Pass	Pass	Stable
FLT9004-3PH	Pass	Pass	Stable	Pass	Pass	Stable
FLT9005-3PH	Pass	Pass	Stable	Pass	Pass	Stable
FLT9006-3PH	Pass	Pass	Stable	Pass	Pass	Stable
FLT9007-3PH	Pass	Pass	Stable	Pass	Pass	Stable
FLT9008-3PH	Pass	Pass	Stable	Pass	Pass	Stable
FLT9009-3PH	Pass	Pass	Stable	Pass	Pass	Stable
FLT9010-3PH	Pass	Pass	Stable	Pass	Pass	Stable
FLT9011-3PH	Pass	Pass	Stable	Pass	Pass	Stable
FLT9012-3PH	Pass	Pass	Stable	Pass	Pass	Stable
FLT9013-3PH	Pass	Pass	Stable	Pass	Pass	Stable
FLT9014-3PH	Pass	Pass	Stable	Pass	Pass	Stable
FLT9015-3PH	Pass	Pass	Stable	Pass	Pass	Stable
FLT9016-3PH	Pass	Pass	Stable	Pass	Pass	Stable

Table 5-4 continued

Fault ID	25SP			25WP		
	Voltage Violation	Voltage Recovery	Stable	Voltage Violation	Voltage Recovery	Stable
FLT9017-3PH	Pass	Pass	Stable	Pass	Pass	Stable
FLT9018-3PH	Pass	Pass	Stable	Pass	Pass	Stable
FLT9019-3PH	Pass	Pass	Stable	Pass	Pass	Stable
FLT9020-3PH	Pass	Pass	Stable	Pass	Pass	Stable
FLT9021-3PH	Pass	Pass	Stable	Pass	Pass	Stable
FLT9022-3PH	Pass	Pass	Stable	Pass	Pass	Stable
FLT9023-3PH	Pass	Pass	Stable	Pass	Pass	Stable
FLT9024-3PH	Pass	Pass	Stable	Pass	Pass	Stable
FLT9025-3PH	Pass	Pass	Stable	Pass	Pass	Stable
FLT9026-3PH	Pass	Pass	Stable	Pass	Pass	Stable
FLT9027-3PH	Pass	Pass	Stable	Pass	Pass	Stable
FLT9028-3PH	Pass	Pass	Stable	Pass	Pass	Stable
FLT9029-3PH	Pass	Pass	Stable	Pass	Pass	Stable
FLT9030-3PH	Pass	Pass	Stable	Pass	Pass	Stable
FLT9031-3PH	Pass	Pass	Stable	Pass	Pass	Stable
FLT1001-SB	Pass	Pass	Stable	Pass	Pass	Stable
FLT1002-SB	Pass	Pass	Stable	Pass	Pass	Stable
FLT1003-SB	Pass	Pass	Stable	Pass	Pass	Stable
FLT1004-SB	Pass	Pass	Stable	Pass	Pass	Stable
FLT1005-SB	Pass	Pass	Stable	Pass	Pass	Stable

The results of the Scenario 2 dynamic stability analysis showed several existing base case issues that were found in both the original DISIS-2017-002-1 model and the model with GEN-2023-SR5 included. These issues were not attributed to the GEN-2023-SR5 surplus request and detailed in Appendix C.

There were no damping or voltage recovery violations attributed to the GEN-2023-SR5 surplus request observed during the simulated faults. Additionally, the project was found to stay connected during the contingencies that were studied and, therefore, will meet the Low Voltage Ride Through (LVRT) requirements of FERC Order #661A.

6.0 Necessary Interconnection Facilities and Network Upgrades

This study identified the impact of the Surplus Interconnection Service on the transmission system reliability and any additional Interconnection Facilities or Network Upgrades necessary. The Surplus Interconnection Service is only available up to the amount that can be accommodated without requiring additional Network Upgrades unless (a) those additional Network Upgrades are either (1) located at the Point of Interconnection substation and at the same voltage level as the Generating Facility with an effective GIA, or (2) are System Protection Facilities; and (b) there are no material adverse impacts on the cost or timing of any Interconnection Requests pending at the time the Surplus Interconnection Service request is submitted.

6.1 Interconnection Facilities

This study did not identify any additional Interconnection Facilities required by the addition of the SGF.

6.2 Network Upgrades

This study did not identify any Network Upgrades required by the addition of the SGF. SPP will reach out to the TO to determine if there are any necessary additional Network Upgrades that are either (1) located at the Point of Interconnection substation and at the same voltage level as the Generating Facility with an effective GIA, or (2) are System Protection Facilities.

7.0 Surplus Interconnection Service Determination and Requirements

In accordance with Attachment V of the SPP Tariff, SPP shall evaluate the request for Surplus Interconnection Service and inform the Interconnection Customer in writing of whether the Surplus Interconnection Service can be utilized without negatively impacting the reliability of the Transmission System and without requiring Network Upgrades unless specified in the SPP Tariff.

7.1 Surplus Service Determination

SPP determined the request for Surplus Interconnection Service does not negatively impact the reliability of the Transmission System and no required Network Upgrades or Interconnection Facilities were identified by this Surplus Interconnection Service Impact Study performed by Aneden. Aneden evaluated the impact of the requested Surplus Interconnection Service on the prior study results and determined that the requested Surplus Interconnection Service resulted in similar dynamic stability and short circuit analyses and that the prior study steady-state results are not negatively impacted.

SPP has determined that GEN-2023-SR5 may utilize the requested 85 MW of Surplus Interconnection Service being made available by GEN-2007-044.

7.2 Surplus Service Requirements

The amount of Surplus Interconnection Service available to be used is limited by the amount of Interconnection Service granted to the existing interconnection customer at the same POI. The combined generation from both the SGF and the EGF may not exceed 299.2 MW at the POI, which is the total Interconnection Service amount currently granted to the EGF.

The customer must install monitoring and control equipment as needed to ensure that the SGF does not exceed the granted surplus amount and to ensure that combination of the SGF and EGF power injected at the POI does not exceed the Interconnection Service amount listed in the EGF's GIA. The monitoring and control scheme may be reviewed by the TO and documented in Appendix C of the SGF GIA.

SPP will reach out to the TO to determine if there are any necessary additional Network Upgrades that are either (1) located at the Point of Interconnection substation and at the same voltage level as the Generating Facility with an effective GIA, or (2) are System Protection Facilities.