



Report on

GEN-2023-SR8 Surplus Service Impact Study

Revision R1 June 9, 2023

Submitted to
Southwest Power Pool



anedenconsulting.com

TABLE OF CONTENTS

Revision History.....	R-1
Executive Summary	ES-1
1.0 Scope of Study	1
1.1 Reactive Power Analysis.....	1
1.2 Short Circuit Analysis	1
1.3 Stability Analysis	1
1.4 Steady-State Analysis.....	1
1.5 Necessary Interconnection Facilities & Network Upgrades	2
1.6 Study Limitations	2
2.0 Surplus Interconnection Service Request	3
3.0 Reactive Power Analysis.....	7
3.1 Methodology and Criteria	7
3.2 Results.....	7
4.0 Short Circuit Analysis	9
4.1 Methodology	9
4.2 Results.....	9
5.0 Dynamic Stability Analysis.....	11
5.1 Methodology and Criteria	11
5.2 Fault Definitions	12
5.3 Scenario 1 Results	19
5.4 Scenario 2 Results	21
6.0 Necessary Interconnection Facilities and Network Upgrades	23
6.1 Interconnection Facilities	23
6.2 Network Upgrades	23
7.0 Surplus Interconnection Service Determination and Requirements.....	24
7.1 Surplus Service Determination	24
7.2 Surplus Service Requirements.....	24

LIST OF TABLES

Table ES-1: EGF & SGF Configuration ES-1
 Table ES-2: SGF Interconnection Configuration ES-2
 Table 2-1: EGF & SGF Configuration 3
 Table 2-2: SGF Interconnection Configuration 6
 Table 4-1: Short Circuit Model Parameters* 9
 Table 4-2: POI Short Circuit Comparison Results 9
 Table 4-3: 25SP Short Circuit Comparison Results 10
 Table 5-1: Study Scenarios (Generator Dispatch MW) 11
 Table 5-2: Fault Definitions 12
 Table 5-3: Scenario 1 Dynamic Stability Results (EGF = 0 MW, SGF = 200 MW) 19
 Table 5-4: Scenario 2 Dynamic Stability Results (EGF = 457.8 MW, SGF =200 MW) 21

LIST OF FIGURES

Figure 2-1: GEN-2010-014 & GEN-2011-022 Single Line Diagram (EGF Existing Configuration*) 4
 Figure 2-2: GEN-2010-014 & GEN-2011-022 & GEN-2023-SR8 Single Line Diagram (EGF & SGF Configuration) 5
 Figure 3-1: GEN-2023-SR8 Single Line Diagram (Shunt Sizes) 8

APPENDICES

- APPENDIX A: GEN-2023-SR8 Generator Dynamic Model
- APPENDIX B: Short Circuit Results
- APPENDIX C: Dynamic Stability Results with Existing Base Case Issues & Simulation Plots

Revision History

DATE OR VERSION NUMBER	AUTHOR	CHANGE DESCRIPTION
6/9/2023	Aneden Consulting	Initial Report Issued

Executive Summary

Aneden Consulting (Aneden) was retained by the Southwest Power Pool (SPP) to perform a Surplus Interconnection Service Impact Study (Study) for GEN-2023-SR8 to utilize the Surplus Interconnection Service being made available by the combined GEN-2010-014 & GEN-2011-022 project at its existing Point of Interconnection (POI), the Hitchland 345 kV Substation in the Southwestern Public Service Company (SPS) control area.

GEN-2023-SR8, the proposed Surplus Generating Facility (SGF), will connect to the existing GEN-2010-014 main collection substations and share its main power transformers.

GEN-2010-014 & GEN-2011-022, the Existing Generating Facility (EGF), has an effective Generator Interconnection Agreement (GIA) with a combined capacity of 657.8 MW at the POI and is making 200 MW of Surplus Interconnection Service available at its POI. Per the SPP Open Access Transmission Tariff (SPP Tariff), the amount of Surplus Interconnection Service available to the SGF is limited by the amount of Interconnection Service granted to the EGF at the same POI. In addition, the Surplus Interconnection Service is only available up to the amount that can be accommodated without requiring Network Upgrades except those specified in the SPP Tariff¹.

The proposed SGF configuration consists of 56 x Power Electronics HEM FP4200M Battery Energy Storage System (BESS) inverters operating at 3.5714 MW for a total assumed dispatch of 200 MW. The inverters are rated at 4.2 MW, thus the generating capability of the SGF (235.2 MW) exceeds its requested Surplus Interconnection Service of 200 MW. The injection amount of the SGF must be limited to 200 MW at the POI. The combined generation from both the SGF and the EGF may not exceed 657.8 MW at the POI. GEN-2023-SR8 includes the use of a Power Plant Controller (PPC) to limit the power injection as required. The SGF and EGF information is shown in Table ES-1 below.

The detailed SGF configuration is captured in Table ES-2 below.

Table ES-1: EGF & SGF Configuration

Request	Interconnection Queue Capacity (MW)	Fuel Type	Point of Interconnection
GEN-2023-SR8 (SGF)	200	Battery/Storage	Hitchland 345 kV (523097)
GEN-2010-014 & GEN-2011-022 (EGF)	657.8	Wind	Hitchland 345 kV (523097)

¹ Allowed Network Upgrades detailed in SPP Open Access Transmission Tariff Attachment V Section 3.3

Table ES-2: SGF Interconnection Configuration

Facility	SGF Configuration	
Point of Interconnection	Hitchland 345 kV (523097)	
Configuration/Capacity	56 x PE HEM FP4200M operating at 3.5714 MW (BESS) = 200 MW [dispatch] Units are rated at 4.2 MW, PPC to limit GEN-2023-SR8 to 200 MW at the POI and total POI injection w/ GEN-2010-014 & GEN-2011-022 to 657.8 MW	
Generation Interconnection Line (Shared with the EGF and unchanged)	Length = 13.13 miles R = 0.000430 pu X = 0.006100 pu B = 0.120700 pu Rating MVA = 1084 MVA	
Main Substation Transformers ¹ (Shared with the EGF [GEN-2010-014] and unchanged)	Transformer T1: X = 8.709%, R = 0.158%, Winding MVA = 120 MVA, Rating MVA = 205 MVA	Transformer T2: X = 8.637%, R = 0.159%, Winding MVA = 120 MVA, Rating MVA = 205 MVA
Equivalent GSU Transformers ¹	Gen 1 Equivalent Qty: 28 X = 8.958%, R = 0.87%, Winding MVA = 117.796 MVA, Rating MVA ² = 117.8 MVA	Gen 2 Equivalent Qty: 28 X = 8.958%, R = 0.87%, Winding MVA = 117.796 MVA, Rating MVA ² = 117.8 MVA
Generator Dynamic Model ³ & Power Factor	28 x PE HEM FP4200M 4.2 MVA (REGCAU1) ³ Leading: 0.8504 Lagging: 0.8504	28 x PE HEM FP4200M 4.2 MVA (REGCAU1) ³ Leading: 0.8504 Lagging: 0.8504
Reactive Power Devices (Shared with the EGF and unchanged)	1 x 20 MVAR 34.5 kV Capacitor Bank	

1) X and R based on Winding MVA, 2) Rating rounded in PSS/E 3) DYN stability model name

SPP determined that steady-state analysis was not required because the addition of the SGF does not increase the maximum active power output of 657.8 MW. In addition, the EGF was previously studied at maximum Interconnection Service under all necessary reliability conditions.

The scope of this study included reactive power analysis, short circuit analysis, and dynamic stability analysis.

Aneden performed the analyses using the study data provided for the SGF and the DISIS-2017-002-1 study models:

- 2025 Summer Peak (25SP),
- 2025 Winter Peak (25WP)

Aneden reviewed Generation Interconnection Requests (GIRs) that shared the same POI, Hitchland 345 kV, and updated their models as applicable based on SPP’s confirmation of the latest project configurations. As a result, Aneden updated the GEN-2006-044 and GEN-2010-014 & GEN-2011-022 (EGF) project configurations in the base models.

All analyses were performed using the Siemens PTI PSS/E² version 34 software and the results are summarized below.

The results of the reactive power analysis using the 25SP model showed that the SGF project did not need a shunt reactor at the project substation to reduce the POI MVAR to zero when the EGF project had a shunt

² Power System Simulator for Engineering

compensating for its charging effects. No additional compensation was necessary to offset the capacitive effect on the transmission network caused by the project during reduced generation conditions. The information gathered from the reactive power analysis is provided as information to the Interconnection Customer and Transmission Owner (TO) and/or Transmission Operator (TOP). The applicable reactive power requirements will be further reviewed by the TO and/or TOP.

The short circuit analysis was performed using the 25SP stability model modified for short circuit analysis. The results from the short circuit analysis compared the 25SP model with the EGF online and SGF not connected to the SGF study model (EGF and SGF online). The maximum contribution to three-phase fault currents in the immediate transmission systems due to the addition of the SGF was 0.25 kA. The maximum three-phase fault current level within 5 buses of the POI with the EGF and SGF generators online was 29.6 kA for the 25SP model.

The dynamic stability analysis was performed using Siemens PTI PSS/E version 34.8.0 software for the two modified study models: 25SP and 25WP, each with two dispatch scenarios. 66 events were simulated, which included three-phase faults and single-line-to-ground stuck breaker faults.

- Scenario 1: SGF at maximum assumed dispatch, 200 MW, and EGF disconnected.
- Scenario 2: SGF at maximum assumed dispatch, 200 MW, and EGF dispatched with the remaining 457.8 MW for a total combination of 657.8 MW.

The results of the dynamic stability analysis showed several existing base case issues that were found in both the original DISIS-2017-002-1 model and in the model with GEN-2023-SR8 included. These issues were not attributed to the GEN-2023-SR8 surplus request and are detailed in Appendix C.

There were no damping or voltage recovery violations attributed to the GEN-2023-SR8 surplus request observed during the simulated faults. Additionally, the project was found to stay connected during the contingencies that were studied and, therefore, will meet the Low Voltage Ride Through (LVRT) requirements of FERC Order #661A.

The results of the study showed that the Surplus Interconnection Service Request by GEN-2023-SR8 did not negatively impact the reliability of the Transmission System. There were no additional Interconnection Facilities or Network Upgrades identified by the analyses.

SPP has determined that GEN-2023-SR8 may utilize the requested 200 MW of Surplus Interconnection Service being made available by the EGF. The combined generation from both the SGF and the EGF may not exceed 657.8 MW at the POI.

The customer must install monitoring and control equipment as needed to ensure that the SGF does not exceed the granted surplus amount and to ensure that combination of the SGF and EGF power injected at the POI does not exceed the Interconnection Service amount listed in the EGF's GIA. The monitoring and control scheme may be reviewed by the TO and documented in Appendix C of the SGF GIA.

In accordance with FERC Order No. 827, both the SGF and EGF will be required to provide dynamic reactive power within the range of 0.95 leading to 0.95 lagging at the high-side of the generator substation.

It is likely that the customer may be required to reduce its generation output to 0 MW in real-time, also known as curtailment, under certain system conditions to allow system operators to maintain the reliability of the transmission network.

Nothing in this study should be construed as a guarantee of transmission service or delivery rights. If the customer wishes to obtain deliverability to final customers, a separate request for transmission service must be requested on Southwest Power Pool's OASIS by the customer.

1.0 Scope of Study

Aneden Consulting (Aneden) was retained by the Southwest Power Pool (SPP) to perform a Surplus Service Impact Study (Study) for GEN-2023-SR8, the Surplus Generating Facility (SGF). A Surplus Service Impact Study is performed to identify the impact of the Surplus Interconnection Service on the transmission system reliability and any additional Interconnection Facilities necessary pursuant to the SPP Generator Interconnection Procedures (“GIP”) contained in Attachment V Section 3.3 of the SPP Open Access Transmission Tariff (SPP Tariff). The amount of Surplus Interconnection Service available to the SGF is limited by the amount of Interconnection Service granted to the existing interconnection customer for the Existing Generating Facility (EGF) at the same POI. The Surplus Interconnection Service is only available up to the amount that can be accommodated without requiring additional Network Upgrades except those specified in the SPP Tariff³. The required scope of the study is dependent upon the EGF and SGF specifications. The criteria sections below include the basis of the analyses included in the scope of study.

All analyses were performed using the Siemens PTI PSS/E version 34 software. The results of each analysis are presented in the following sections.

1.1 Reactive Power Analysis

SPP requires that a reactive power analysis be performed on the requested configuration if it is a non-synchronous resource. The reactive power analysis determines the added capacitive effect at the POI caused by the project’s collection system and transmission line’s capacitance. A shunt reactor size was determined for the SGF to offset the capacitive effect and maintain zero (0) MVar injection at the POI while the plant’s generators and capacitors were offline, and the EGF project had a shunt compensating for its charging effects.

1.2 Short Circuit Analysis

SPP requires that a short circuit analysis be performed to determine the maximum available fault current requiring interruption by protective equipment with both the SGF and EGF online, along with the amount of increase in maximum fault current due to the addition of the SGF. The analysis was performed on two scenarios, with the EGF in service and SGF offline, and the modified model with both EGF and SGF in service.

1.3 Stability Analysis

SPP requires that a dynamic stability analysis be performed to determine whether the SGF, EGF, and the transmission system will remain stable and within applicable criteria. Dynamic stability analysis was performed on two dispatch scenarios, the first where the SGF was online at 100% of the assumed dispatch with the EGF offline and disconnected, and the second where the SGF was online at 100% of the assumed dispatch and the EGF was picking up the remaining EGF GIA capacity. The stability analyses will identify any additional Interconnection Facilities and Network Upgrades necessary.

1.4 Steady-State Analysis

The steady-state (thermal/voltage) analyses may be performed as necessary to ensure that all required reliability conditions are studied. If the EGF was not studied under off-peak conditions, off-peak steady state analyses shall be performed to the required level necessary to demonstrate reliable operation of the Surplus Interconnection Service. If the original system impact study is not available for the

³ Allowed Network Upgrades detailed in SPP Open Access Transmission Tariff Attachment V Section 3.3

Interconnection Service, both off-peak and peak analysis may need to be performed for the EGF associated with the request.

An SGF that includes a fuel type (synchronous/non-synchronous) different from the EGF may require a steady-state analysis to study impacts resultant from changes in dispatch to all equal and lower queued requests. The steady-state analyses will identify any additional Interconnection Facilities and Network Upgrades necessary.

1.5 Necessary Interconnection Facilities & Network Upgrades

The SPP Tariff⁴ states that the reactive power, short circuit/fault duty, stability, and steady-state analyses (where applicable) for the Surplus Interconnection Service will identify any additional Interconnection Facilities necessary. In addition, the analyses will determine if any Network Upgrades are required for mitigation. The Surplus Interconnection Service is only available up to the amount that can be accommodated without requiring additional Network Upgrades unless (a) those additional Network Upgrades are either (1) located at the Point of Interconnection substation and at the same voltage level as the Generating Facility with an effective GIA, or (2) are System Protection Facilities; and (b) there are no material adverse impacts on the cost or timing of any Interconnection Requests pending at the time the Surplus Interconnection Service request is submitted.

1.6 Study Limitations

The assessments and conclusions provided in this report are based on assumptions and information provided to Aneden by others. While the assumptions and information provided may be appropriate for the purposes of this report, Aneden does not guarantee that those conditions assumed will occur. In addition, Aneden did not independently verify the accuracy or completeness of the information provided. As such, the conclusions and results presented in this report may vary depending on the extent to which actual future conditions differ from the assumptions made or information used herein.

⁴ SPP Open Access Transmission Tariff Section 3.3.4.1

2.0 Surplus Interconnection Service Request

The GEN-2023-SR8 Interconnection Customer has requested a Surplus Interconnection Service Impact Study (Study) for GEN-2023-SR8 to utilize the Surplus Interconnection Service being made available by the combined GEN-2010-014 & GEN-2011-022 project at its existing Point of Interconnection (POI), the Hitchland 345 kV Substation in the Southwestern Public Service Company (SPS) control area.

GEN-2023-SR8, the proposed SGF, will connect to the existing GEN-2010-014 main collection substations and share its main power transformers.

GEN-2010-014 & GEN-2011-022, the EGF, has an effective Generation Interconnection Agreement (GIA) with a combined capacity of 657.8 MW at the POI and is making 200 MW of Surplus Interconnection Service available at its POI. Per the SPP Tariff the amount of Surplus Interconnection Service available to the SGF is limited by the amount of Interconnection Service granted to the EGF at the same POI. In addition, the Surplus Interconnection Service is only available up to the amount that can be accommodated without requiring additional Network Upgrades except those specified in the SPP Tariff.

At the time of the posting of this report, GEN-2010-014 & GEN-2011-022 (EGF) is an active existing project at the same POI (Hitchland 345 kV) with a queue status of “IA FULLY EXECUTED/ON SCHEDULE”. GEN-2010-014 & GEN-2011-022 is a wind farm, has a maximum summer and winter queue combined capacity of 657.8 MW, and has Energy Resource Interconnection Service (ERIS). The EGF was originally studied in the DISIS-2010-001 & DISIS-2011-001 cluster studies. Figure 2-1 shows the power flow model single line diagram for the EGF configuration.

The proposed SGF configuration consists of 56 x Power Electronics HEM FP4200M Battery Energy Storage System (BESS) inverters operating at 3.5714 MW for a total assumed dispatch of 200 MW. The inverters are rated at 4.2 MW, thus the generating capability of the SGF (235.2 MW) exceeds its requested Surplus Interconnection Service of 200 MW. The injection amount of the SGF must be limited to 200 MW at the POI. The combined generation from both the SGF and the EGF may not exceed 657.8 MW at the POI. GEN-2023-SR8 includes the use of a Power Plant Controller (PPC) to limit the power injection as required. The SGF and EGF information is shown in Table 2-1 below.

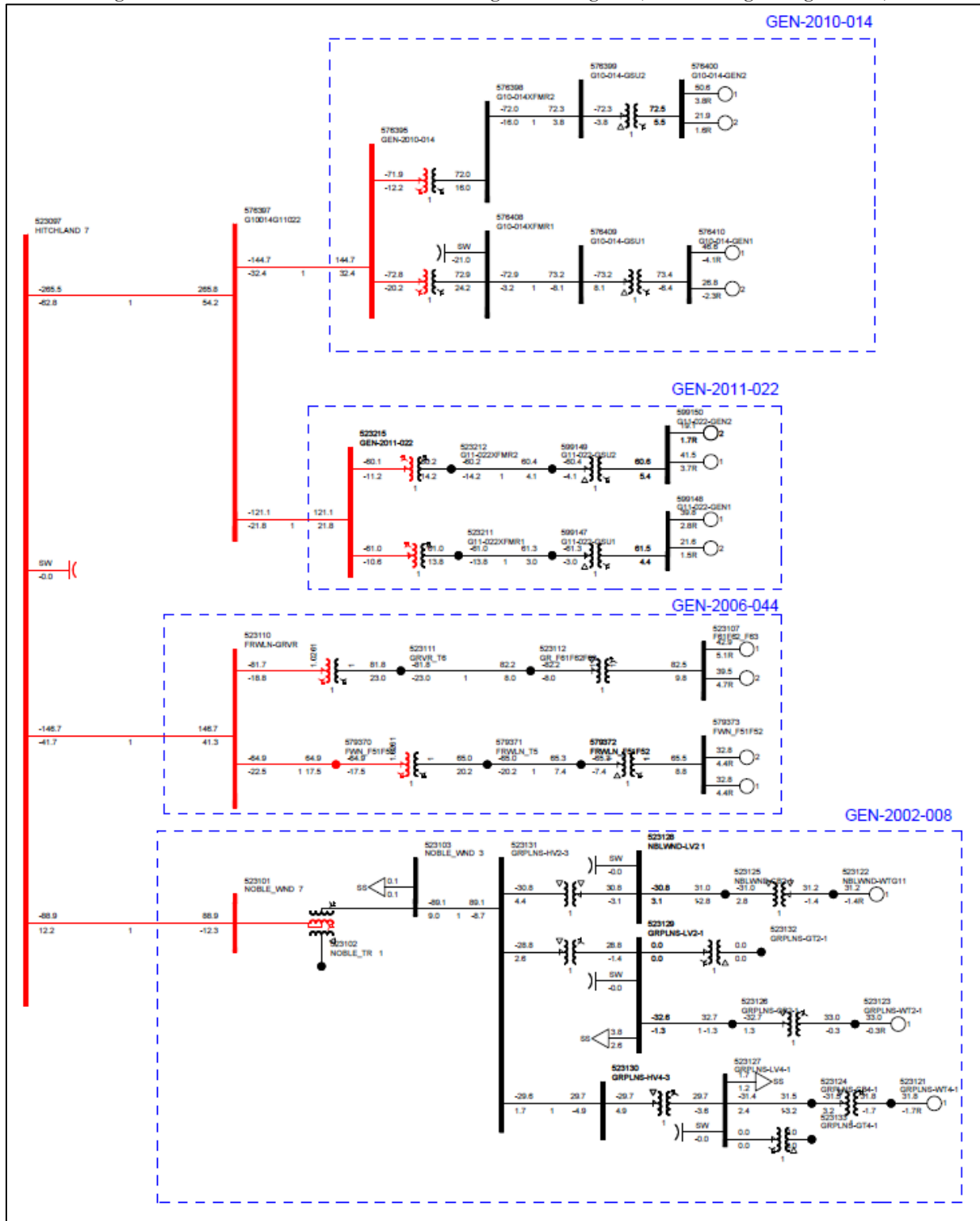
Table 2-1: EGF & SGF Configuration

Request	Interconnection Queue Capacity (MW)	Fuel Type	Point of Interconnection
GEN-2023-SR8 (SGF)	200	Battery/Storage	Hitchland 345 kV (523097)
GEN-2010-014 & GEN-2011-022 (EGF)	657.8	Wind	Hitchland 345 kV (523097)

The proposed detailed SGF configuration is captured in Figure 2-2 and Table 2-2 below.

Aneden reviewed Generation Interconnection Requests (GIRs) that shared the same POI, Hitchland 345 kV, and updated their models as applicable based on SPP’s confirmation of the latest project configurations. As a result, Aneden updated the GEN-2006-044 and GEN-2010-014 & GEN-2011-022 (EGF) project configurations in the base models.

Figure 2-1: GEN-2010-014 & GEN-2011-022 Single Line Diagram (EGF Existing Configuration*)



*based on the DISIS-2017-002-1 25SP stability model with GEN-2006-044 and GEN-2010-014 & GEN-2011-022 modeling corrections

Figure 2-2: GEN-2010-014 & GEN-2011-022 & GEN-2023-SR8 Single Line Diagram (EGF & SGF Configuration)

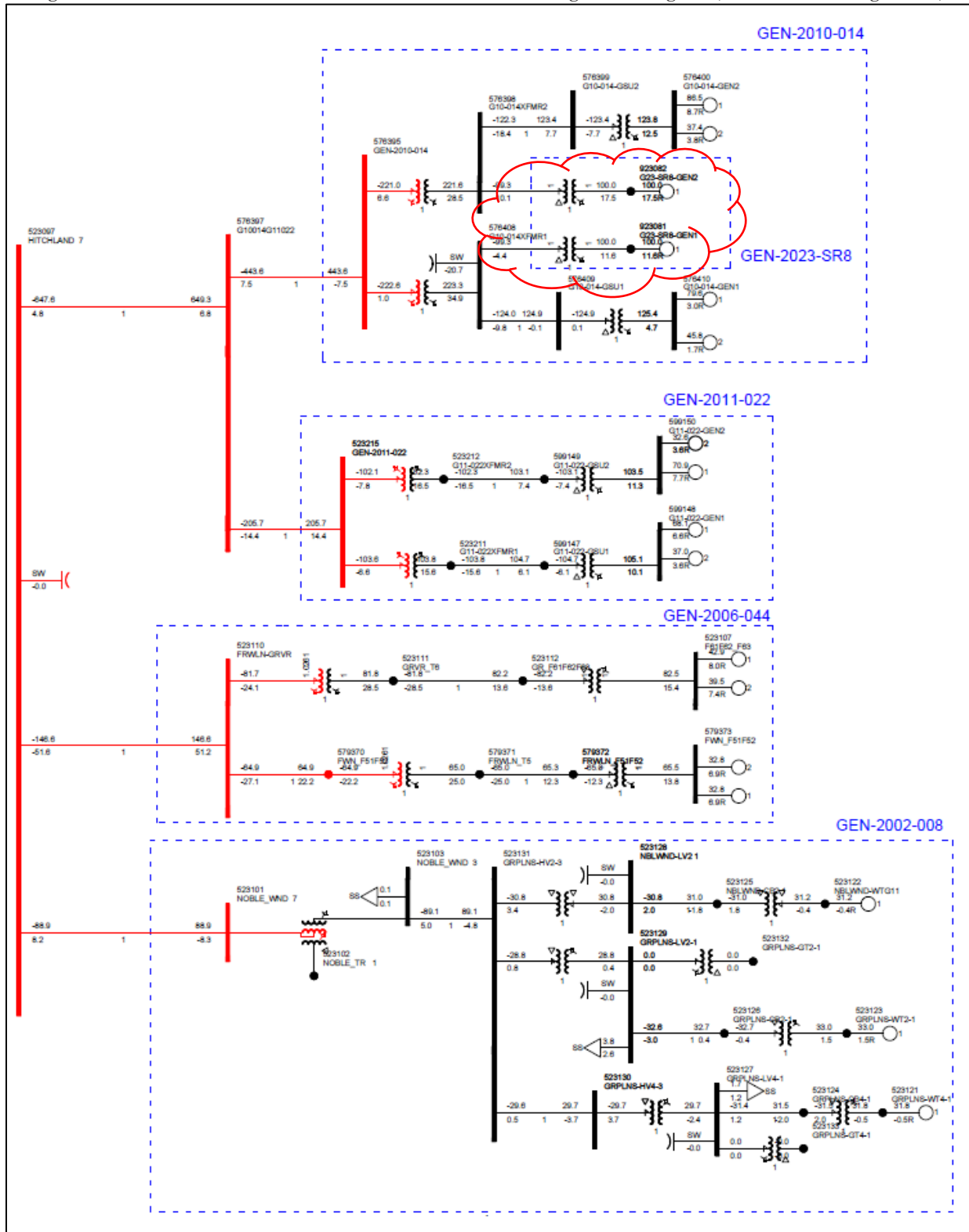


Table 2-2: SGF Interconnection Configuration

Facility	SGF Configuration	
Point of Interconnection	Hitchland 345 kV (523097)	
Configuration/Capacity	56 x PE HEM FP4200M operating at 3.5714 MW (BESS) = 200 MW [dispatch] Units are rated at 4.2 MW, PPC to limit GEN-2023-SR8 to 200 MW at the POI and total POI injection w/ GEN-2010-014 & GEN-2011-022 to 657.8 MW	
Generation Interconnection Line (Shared with the EGF and unchanged)	Length = 13.13 miles R = 0.000430 pu X = 0.006100 pu B = 0.120700 pu Rating MVA = 1084 MVA	
Main Substation Transformers ¹ (Shared with the EGF [GEN-2010-014] and unchanged)	Transformer T1: X = 8.709%, R = 0.158%, Winding MVA = 120 MVA, Rating MVA = 205 MVA	Transformer T2: X = 8.637%, R = 0.159%, Winding MVA = 120 MVA, Rating MVA = 205 MVA
Equivalent GSU Transformers ¹	Gen 1 Equivalent Qty: 28 X = 8.958%, R = 0.87%, Winding MVA = 117.796 MVA, Rating MVA ² = 117.8 MVA	Gen 2 Equivalent Qty: 28 X = 8.958%, R = 0.87%, Winding MVA = 117.796 MVA, Rating MVA ² = 117.8 MVA
Generator Dynamic Model ³ & Power Factor	28 x PE HEM FP4200M 4.2 MVA (REGCAU1) ³ Leading: 0.8504 Lagging: 0.8504	28 x PE HEM FP4200M 4.2 MVA (REGCAU1) ³ Leading: 0.8504 Lagging: 0.8504
Reactive Power Devices (Shared with the EGF and unchanged)	1 x 20 MVAR 34.5 kV Capacitor Bank	

1) X and R based on Winding MVA, 2) Rating rounded in PSS/E 3) DYR stability model name

3.0 Reactive Power Analysis

The reactive power analysis was performed for GEN-2023-SR8 to determine the capacitive charging effects due to the SGF during reduced generation conditions (unsuitable wind speeds, unsuitable solar irradiance, insufficient state of charge, idle conditions, curtailment, etc.) at the generation site, and to size shunt reactors that would reduce the project reactive power contribution to the POI to approximately zero.

3.1 Methodology and Criteria

In order to determine the required shunt reactor size the SGF would need to compensate for the current charging attributed to its collection system, the reactive power analysis for the EGF was determined first. Once the shunt size for the EGF was determined, the SGF incremental shunt reactor size was then calculated.

For each of the shunt reactor sizes calculated, all project generators and capacitors were switched offline while other collector system elements remained in-service. For the SGF reactor size calculation, the EGF generators were also switched offline. A shunt reactor was tested at the project's collection substation 34.5 kV bus to set the MVAR flow into the POI to approximately zero. The size of the shunt reactor is equivalent to the charging current value at unity voltage and the compensation provided is proportional to the voltage effects on the charging current (i.e., for voltages above unity, reactive compensation is greater than the size of the reactor).

Aneden performed the reactive power analysis using the SGF data based on the 25SP DISIS-2017-002-1 stability study model.

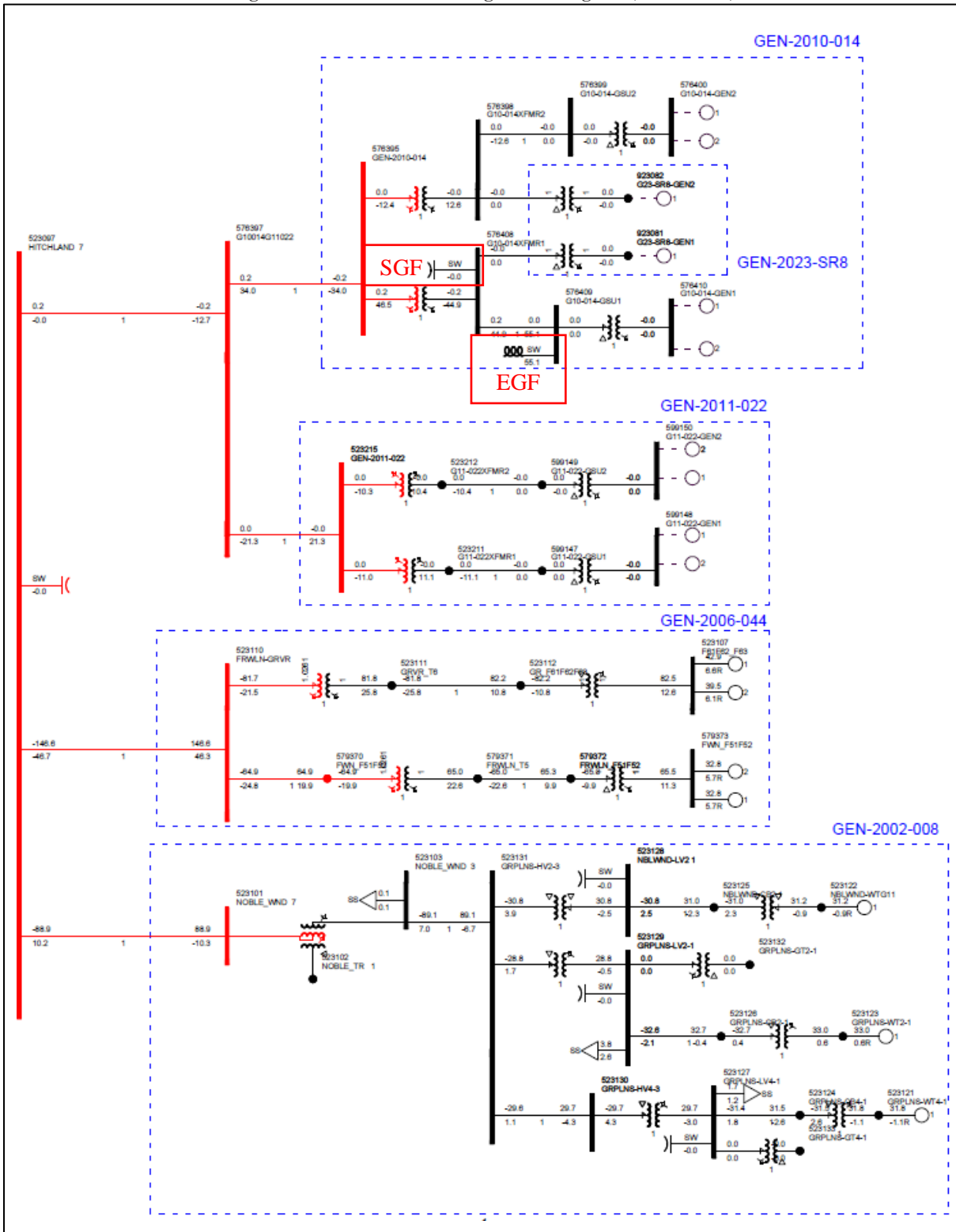
3.2 Results

Per the methodology described above, the shunt size was determined for the EGF prior to calculating the shunt reactor size for the SGF. The shunt size was found to be a 59.59 MVAR reactor for the EGF to reduce the POI MVAR to approximately zero. Note that the EGF shunt value is for the SGF reactive size determination only and not for sizing the predetermined EGF reactive requirements.

The results from the analysis showed that the SGF did not need a shunt reactor at the project substation to reduce the POI MVAR to zero with the pre-determined shunt for the EGF in-service. Figure 3-1 illustrates that no additional compensation was necessary to offset the capacitive effect on the transmission network caused by the project during reduced generation conditions.

The information gathered from the reactive power analysis is provided as information to the Interconnection Customer and Transmission Owner (TO) and/or Transmission Operator (TOP). The applicable reactive power requirements will be further reviewed by the TO and/or TOP.

Figure 3-1: GEN-2023-SR8 Single Line Diagram (Shunt Sizes)



4.0 Short Circuit Analysis

A short circuit study was performed using the 25SP model to determine the maximum available fault current requiring interruption by protective equipment with both the SGF and EGF online for each bus in the relevant subsystem, and the amount of increase in maximum fault current due to the addition of the SGF. The detailed results of the short circuit analysis are provided in Appendix B.

4.1 Methodology

The short circuit analysis included applying a 3-phase fault on buses up to 5 levels away from the 345 kV POI bus. The PSS/E “Automatic Sequence Fault Calculation (ASCC)” fault analysis module was used to calculate the fault current levels in the transmission system with and without the SGF online. The first scenario was studied with both the SGF and EGF in service. In the second scenario the SGF was disconnected while the EGF stayed online in order to determine the impact of the SGF.

Aneden created a short circuit model using the 25SP DISIS-2017-002-1 stability study model by adjusting the SGF short circuit parameters consistent with the submitted data. The adjusted parameters used in the short circuit analysis are shown in Table 4-1 below. No other changes were made to the model.

Table 4-1: Short Circuit Model Parameters*

Parameter	Value by Generator Bus#	Value by Generator Bus#
	923081	923082
Machine MVA Base	117.6	117.6
R (pu)	0.0	0.0
X'' (pu)	0.893	0.893

*pu values based on Machine MVA Base

4.2 Results

The results of the short circuit analysis compared the 25SP model with the EGF online and SGF not connected to the stability Scenario 2 dispatch model with both the EGF and SGF in service as described in Section 5.1. The GEN-2023-SR8 POI bus (Hitchland 345 kV – 523097) fault current magnitudes for the comparison cases are provided in Table 4-2 showing a fault current of 14.41 kA with the EGF and SGF online. The addition of the SGF configuration increased the POI bus fault current by 0.25 kA. Table 4-3 shows the maximum fault current magnitudes and fault current increases with the SGF project online.

The maximum fault current calculated within 5 buses of the POI was 29.6 kA for the 25SP model. The maximum contribution to three-phase fault currents due to the addition of the SGF was about 1.8% and 0.25 kA.

Table 4-2: POI Short Circuit Comparison Results

Case	EGF Only Current (kA)	SGF & EGF Current (kA)	Max kA Change	Max %Change
25SP	14.16	14.41	0.25	1.8%

Table 4-3: 25SP Short Circuit Comparison Results

Voltage (kV)	Max. Current (EGF & SGF) (kA)	Max kA Change	Max %Change
69	8.5	0.01	0.1%
115	29.6	0.06	0.3%
138	20.4	0.01	0.1%
230	25.6	0.13	0.9%
345	18.2	0.25	1.8%
MAX	29.6	0.25	1.8%

5.0 Dynamic Stability Analysis

Aneden performed a dynamic stability analysis to identify the impact of the SGF project. The analysis was performed according to SPP's Disturbance Performance Requirements⁵. The project details are described in Section 2.0 above and the dynamic modeling data is provided in Appendix A. The existing base case issues and simulation plots can be found in Appendix C.

5.1 Methodology and Criteria

The dynamic stability analysis was performed using models developed with the requested 56 x Power Electronics HEM FP4200M operating at 3.5714 MW (REGCAU1) SGF generating facility configuration included in the models. This stability analysis was performed using Siemens PTI's PSS/E version 34.8.0 software.

Two stability model scenarios were developed using the models from DISIS-2017-002-1. The first scenario (Scenario 1) was comprised of the SGF online at 100% of the assumed dispatch (SGF = 200 MW) while the EGF generator was offline and disconnected. The second scenario (Scenario 2) was comprised of the SGF at 100% of the assumed dispatch (SGF = 200 MW) while the EGF generator was picking up the remaining EGF GIA capacity (EGF = 457.8 MW). The study scenarios are shown in Table 5-1.

Table 5-1: Study Scenarios (Generator Dispatch MW)

Scenario	GEN-2010-014 & GEN-2011-022 EGF (MW)	GEN-2023-SR8 SGF (MW)	EGF + SGF (MW)
1	0 (Offline)	200	200
2	457.8	200	657.8

The GEN-2023-SR8 project details were used to create modified stability models for this impact study based on the DISIS-2017-002-1 stability study models:

- 2025 Summer Peak (25SP),
- 2025 Winter Peak (25WP)

Aneden reviewed the GIRs that shared the same POI, Hitchland 345 kV, and updated as applicable based on SPP's confirmation of the latest project configurations. As a result, Aneden updated the GEN-2006-044 and GEN-2010-014 & GEN-2011-022 (EGF) project configurations in the base models.

The dynamic model data for the GEN-2023-SR8 project is provided in Appendix A. The power flow models and associated dynamic database were initialized (no-fault test) to confirm that there were no errors in the initial conditions of the system and the dynamic data.

The following system adjustments were made to address existing base case issues that are not attributed to the surplus request:

- The voltage protective relays at buses 761447, 761442, 761445, 761449, 589383, & 573510 were disabled to avoid generator tripping due to an instantaneous over voltage spike after fault clearing.

⁵ [SPP Disturbance Performance Requirements](https://www.spp.org/documents/28859/spp%20disturbance%20performance%20requirements%20(twg%20approved).pdf):

[https://www.spp.org/documents/28859/spp%20disturbance%20performance%20requirements%20\(twg%20approved\).pdf](https://www.spp.org/documents/28859/spp%20disturbance%20performance%20requirements%20(twg%20approved).pdf)

- The high voltage protection at bus 539136 was disabled as controller parameter issues caused increasing var injection that eventually resulted in the unit tripping.
- The generator at bus 523812 was GNET to avoid controller issues.
- The fault simulation file acceleration factor was reduced as needed to resolve stability simulation crashes.

During the fault simulations, the active power (PELEC), reactive power (QELEC), and terminal voltage (ETERM) were monitored for the EGF and SGF and other current and prior queued projects in their cluster group⁶. In addition, voltages of five (5) buses away from the POI of the SGF were monitored and plotted. The machine rotor angle for synchronous machines and speed for asynchronous machines within the study areas including 520 (AEPW), 524 (OKGE), 526 (SPS), and 652 (WAPA) were monitored. The voltages of all 100 kV and above buses within the study area were monitored as well.

5.2 Fault Definitions

Aneden developed and simulated fault events as required to study the SGF. The new set of faults was simulated using the modified study models. The fault events included three-phase faults and single-line-to-ground stuck breaker faults. Single-line-to-ground faults are approximated by applying a fault impedance to bring the faulted bus positive sequence voltage to 0.6 pu. The simulated faults are listed and described in Table 5-2 below. These contingencies were applied to the modified 25SP and 25WP models.

Table 5-2: Fault Definitions

Fault ID	Planning Event	Fault Descriptions
FLT9001-3PH	P1	3 phase fault on the HITCHLAND 7 (523097) to BVRCNTY7 (515554) 345 kV line CKT 1, near HITCHLAND 7. a. Apply fault at the HITCHLAND 7 345 kV bus. b. Clear fault after 6 cycles by tripping the faulted line. c. Wait 20 cycles, and then re-close the line in (b) back into the fault. d. Leave fault on for 6 cycles, then trip the line in (b) and remove fault.
FLT9002-3PH	P1	3 phase fault on the BVRCNTY7 (515554) to BADGER 7 (515677) 345 kV line CKT 1, near BVRCNTY7. a. Apply fault at the BVRCNTY7 345 kV bus. b. Clear fault after 6 cycles by tripping the faulted line. c. Wait 20 cycles, and then re-close the line in (b) back into the fault. d. Leave fault on for 6 cycles, then trip the line in (b) and remove fault.
FLT9003-3PH	P1	3 phase fault on the HITCHLAND 7 (523097) to G10014G11022 (576397) 345 kV line CKT 1, near HITCHLAND 7. a. Apply fault at the HITCHLAND 7 345 kV bus. b. Clear fault after 6 cycles by tripping the faulted line. Trip generator G10-014-GEN1 (576410), G10-014-GEN2 (576400), G11-022-GEN1 (599148), G11-022-GEN2 (599150). c. Wait 20 cycles, and then re-close the line in (b) back into the fault. d. Leave fault on for 6 cycles, then trip the line in (b) and remove fault.
FLT9004-3PH	P1	3 phase fault on the H TB80155502 345 kV (523097) /230 kV (523095) /13.2 kV (523091) XFMR CKT 1, near HITCHLAND 7 345 kV. a. Apply fault at the HITCHLAND 7 345 kV bus. b. Clear fault after 6 cycles and trip the faulted transformer.
FLT9005-3PH	P1	3 phase fault on the HITCHLAND 7 (523097) to POTTER_CO 7 (523961) 345 kV line CKT 1, near HITCHLAND 7. a. Apply fault at the HITCHLAND 7 345 kV bus. b. Clear fault after 6 cycles by tripping the faulted line. c. Wait 20 cycles, and then re-close the line in (b) back into the fault. d. Leave fault on for 6 cycles, then trip the line in (b) and remove fault.

⁶ Based on the DISIS-2017-002 Cluster Groups

Table 5-2 continued

Fault ID	Planning Event	Fault Descriptions
FLT9006-3PH	P1	3 phase fault on the HITCHLAND 7 (523097) to CARPENTER 7 (523823) 345 kV line CKT 1, near HITCHLAND 7. a. Apply fault at the HITCHLAND 7 345 kV bus. b. Clear fault after 6 cycles by tripping the faulted line. c. Wait 20 cycles, and then re-close the line in (b) back into the fault. d. Leave fault on for 6 cycles, then trip the line in (b) and remove fault.
FLT9007-3PH	P1	3 phase fault on the BVRCNTY7 (515554) to BALKOW 7 (515618) 345 kV line CKT 1, near BVRCNTY7. a. Apply fault at the BVRCNTY7 345 kV bus. b. Clear fault after 6 cycles by tripping the faulted line. Trip generator BALKOWG1 (515658), BALKOWG2 (515659) c. Wait 20 cycles, and then re-close the line in (b) back into the fault. d. Leave fault on for 6 cycles, then trip the line in (b) and remove fault.
FLT9008-3PH	P1	3 phase fault on the BVRCNTY7 (515554) to PALDR2W7 (515590) 345 kV line CKT 1, near BVRCNTY7. a. Apply fault at the BVRCNTY7 345 kV bus. b. Clear fault after 6 cycles by tripping the faulted line. Trip generator G08-047-GEN1 (515905) Trip generator G08-047-GEN2 (573510) c. Wait 20 cycles, and then re-close the line in (b) back into the fault. d. Leave fault on for 6 cycles, then trip the line in (b) and remove fault.
FLT9009-3PH	P1	3 phase fault on the BADGER 7 (515677) to GEN-2011-014 (515686) 345 kV line CKT 1, near BADGER 7. a. Apply fault at the BADGER 7 345 kV bus. b. Clear fault after 6 cycles by tripping the faulted line. Trip generator G11-014-GEN2 (515682), G11-014-GEN1 (515678). c. Wait 20 cycles, and then re-close the line in (b) back into the fault. d. Leave fault on for 6 cycles, then trip the line in (b) and remove fault.
FLT9010-3PH	P1	3 phase fault on the BADGER 7 (515677) to GEN-2015-082 (585190) 345 kV line CKT 1, near BADGER 7. a. Apply fault at the BADGER 7 345 kV bus. b. Clear fault after 6 cycles by tripping the faulted line. Trip generator G15-082-GEN1 (585193). c. Wait 20 cycles, and then re-close the line in (b) back into the fault. d. Leave fault on for 6 cycles, then trip the line in (b) and remove fault.
FLT9011-3PH	P1	3 phase fault on the BADGER 7 (515677) to G16-003-TAP (560071) 345 kV line CKT 1, near BADGER 7. a. Apply fault at the BADGER 7 345 kV bus. b. Clear fault after 6 cycles by tripping the faulted line. c. Wait 20 cycles, and then re-close the line in (b) back into the fault. d. Leave fault on for 6 cycles, then trip the line in (b) and remove fault.
FLT9012-3PH	P1	3 phase fault on the G16-003-TAP (560071) to WWRDEHV7 (515375) 345 kV line CKT 1, near G16-003-TAP. a. Apply fault at the G16-003-TAP 345 kV bus. b. Clear fault after 6 cycles by tripping the faulted line. c. Wait 20 cycles, and then re-close the line in (b) back into the fault. d. Leave fault on for 6 cycles, then trip the line in (b) and remove fault.
FLT9013-3PH	P1	3 phase fault on the WWRDEHV 345 kV (515375) /138 kV (515376) /13.8 kV (515795) XFMR CKT 1, near WWRDEHV7 345 kV. a. Apply fault at the WWRDEHV7 345 kV bus. b. Clear fault after 6 cycles and trip the faulted transformer.
FLT9014-3PH	P1	3 phase fault on the WWRDEHV7 (515375) to DGRASSE7 (515852) 345 kV line CKT 1, near WWRDEHV7. a. Apply fault at the WWRDEHV7 345 kV bus. b. Clear fault after 6 cycles by tripping the faulted line. c. Wait 20 cycles, and then re-close the line in (b) back into the fault. d. Leave fault on for 6 cycles, then trip the line in (b) and remove fault.
FLT9015-3PH	P1	3 phase fault on the WWRDEHV7 (515375) to WWDBORDT (755000) 345 kV line CKT 1, near WWRDEHV7. a. Apply fault at the WWRDEHV7 345 kV bus. b. Clear fault after 6 cycles by tripping the faulted line. c. Wait 20 cycles, and then re-close the line in (b) back into the fault. d. Leave fault on for 6 cycles, then trip the line in (b) and remove fault.
FLT9016-3PH	P1	3 phase fault on the WWRDEHV7 (515375) to TATONGA7 (515407) 345 kV line CKT 1, near WWRDEHV7. a. Apply fault at the WWRDEHV7 345 kV bus. b. Clear fault after 6 cycles by tripping the faulted line. c. Wait 20 cycles, and then re-close the line in (b) back into the fault. d. Leave fault on for 6 cycles, then trip the line in (b) and remove fault.

Table 5-2 continued

Fault ID	Planning Event	Fault Descriptions
FLT9017-3PH	P1	3 phase fault on the CARPENTER 7 (523823) to HARBNGR7 (531512) 345 kV line CKT Z1, near CARPENTER 7. a. Apply fault at the CARPENTER 7 345 kV bus. b. Clear fault after 6 cycles by tripping the faulted line. c. Wait 20 cycles, and then re-close the line in (b) back into the fault. d. Leave fault on for 6 cycles, then trip the line in (b) and remove fault.
FLT9018-3PH	P1	3 phase fault on the CARPENTER 7 (523823) to FINNEY 7 (523853) 345 kV line CKT 1, near CARPENTER 7. a. Apply fault at the CARPENTER 7 345 kV bus. b. Clear fault after 6 cycles by tripping the faulted line. c. Wait 20 cycles, and then re-close the line in (b) back into the fault. d. Leave fault on for 6 cycles, then trip the line in (b) and remove fault.
FLT9019-3PH	P1	3 phase fault on the POTTER_CO 7 (523961) to SPNSPUR_WND7 (524296) 345 kV line CKT 1, near POTTER_CO 7. a. Apply fault at the POTTER_CO 7 345 kV bus. b. Clear fault after 6 cycles by tripping the faulted line. Trip generator SPNSPUR_GEN10.6900 (524295) c. Wait 20 cycles, and then re-close the line in (b) back into the fault. d. Leave fault on for 6 cycles, then trip the line in (b) and remove fault.
FLT9020-3PH	P1	3 phase fault on the WAUK 345 kV (523961) /230 kV (523959) /13.2 kV (523957) XFMR CKT 1, near POTTER_CO 7 345 kV. a. Apply fault at the POTTER_CO 7 345 kV bus. b. Clear fault after 6 cycles and trip the faulted transformer.
FLT9021-3PH	P1	3 phase fault on the H TP80148301 230 kV (523095) /115 kV (523093) /13.2 kV (523092) XFMR CKT 1, near HITCHLAND 6 230 kV. a. Apply fault at the HITCHLAND 6 230 kV bus. b. Clear fault after 7 cycles and trip the faulted transformer.
FLT9022-3PH	P1	3 phase fault on the HITCHLAND 6 (523095) to OCHILTREE 6 (523155) 230 kV line CKT 1, near HITCHLAND 6. a. Apply fault at the HITCHLAND 6 230 kV bus. b. Clear fault after 7 cycles by tripping the faulted line. c. Wait 20 cycles, and then re-close the line in (b) back into the fault. d. Leave fault on for 7 cycles, then trip the line in (b) and remove fault.
FLT9023-3PH	P1	3 phase fault on the HITCHLAND 6 (523095) to MOORE_CNTY 6 (523309) 230 kV line CKT 1, near HITCHLAND 6. a. Apply fault at the HITCHLAND 6 230 kV bus. b. Clear fault after 7 cycles by tripping the faulted line. c. Wait 20 cycles, and then re-close the line in (b) back into the fault. d. Leave fault on for 7 cycles, then trip the line in (b) and remove fault.
FLT9024-3PH	P1	3 phase fault on the POTTER_CO 6 (523959) to BUSHLAND 6 (524267) 230 kV line CKT 1, near POTTER_CO 6. a. Apply fault at the POTTER_CO 6 230 kV bus. b. Clear fault after 7 cycles by tripping the faulted line. c. Wait 20 cycles, and then re-close the line in (b) back into the fault. d. Leave fault on for 7 cycles, then trip the line in (b) and remove fault.
FLT9025-3PH	P1	3 phase fault on the POTTER_CO 6 (523959) to HARRNG_EST 6 (523979) 230 kV line CKT 1, near POTTER_CO 6. a. Apply fault at the POTTER_CO 6 230 kV bus. b. Clear fault after 7 cycles by tripping the faulted line. c. Wait 20 cycles, and then re-close the line in (b) back into the fault. d. Leave fault on for 7 cycles, then trip the line in (b) and remove fault.
FLT9026-3PH	P1	3 phase fault on the POTTER_CO 6 (523959) to NEWHART 6 (525461) 230 kV line CKT 1, near POTTER_CO 6. a. Apply fault at the POTTER_CO 6 230 kV bus. b. Clear fault after 7 cycles by tripping the faulted line. c. Wait 20 cycles, and then re-close the line in (b) back into the fault. d. Leave fault on for 7 cycles, then trip the line in (b) and remove fault.
FLT9027-3PH	P1	3 phase fault on the POTTER_CO 6 (523959) to CHAN+TASCOS6 (523869) 230 kV line CKT 1, near POTTER_CO 6. a. Apply fault at the POTTER_CO 6 230 kV bus. b. Clear fault after 7 cycles by tripping the faulted line. c. Wait 20 cycles, and then re-close the line in (b) back into the fault. d. Leave fault on for 7 cycles, then trip the line in (b) and remove fault.
FLT9028-3PH	P1	3 phase fault on the POTTER_CO 6 (523959) to ROLLHILLS 6 (524010) 230 kV line CKT 1, near POTTER_CO 6. a. Apply fault at the POTTER_CO 6 230 kV bus. b. Clear fault after 7 cycles by tripping the faulted line. c. Wait 20 cycles, and then re-close the line in (b) back into the fault. d. Leave fault on for 7 cycles, then trip the line in (b) and remove fault.

Table 5-2 continued

Fault ID	Planning Event	Fault Descriptions
FLT9029-3PH	P1	3 phase fault on the POTTER_CO 6 (523959) to MCDWL_CREEK6 (523323) 230 kV line CKT 1, near POTTER_CO 6. a. Apply fault at the POTTER_CO 6 230 kV bus. b. Clear fault after 7 cycles by tripping the faulted line. c. Wait 20 cycles, and then re-close the line in (b) back into the fault. d. Leave fault on for 7 cycles, then trip the line in (b) and remove fault.
FLT9031-3PH	P1	3 phase fault on the G10014G11022 (576397) to GEN-2011-022 (523215) 345 kV line CKT 1, near G10014G11022 (576397). a. Apply fault at the G10014G11022 (576397) 345 kV bus. b. Clear fault after 6 cycles by tripping the faulted line. Trip generator G11-022-GEN1 (599148), G11-022-GEN2 (599150). c. Wait 20 cycles, and then re-close the line in (b) back into the fault. d. Leave fault on for 6 cycles, then trip the line in (b) and remove fault.
FLT9032-3PH	P1	3 phase fault on the HITCHLAND 3 (523093) to HANSFORD 3 (523195) 115 kV line CKT 1, near HITCHLAND 3. a. Apply fault at the HITCHLAND 3 115 kV bus. b. Clear fault after 7 cycles by tripping the faulted line. c. Wait 20 cycles, and then re-close the line in (b) back into the fault. d. Leave fault on for 7 cycles, then trip the line in (b) and remove fault.
FLT9033-3PH	P1	3 phase fault on the HITCHLAND 3 (523093) to FRISCO_WND 3 (523160) 115 kV line CKT 1, near HITCHLAND 3. a. Apply fault at the HITCHLAND 3 115 kV bus. b. Clear fault after 7 cycles by tripping the faulted line. Trip generator FRISCO_WND 3 (523160) c. Wait 20 cycles, and then re-close the line in (b) back into the fault. d. Leave fault on for 7 cycles, then trip the line in (b) and remove fault.
FLT9034-3PH	P1	3 phase fault on the HITCHLAND 3 (523093) to TEXAS_CNTY 3 (523090) 115 kV line CKT 1, near HITCHLAND 3. a. Apply fault at the HITCHLAND 3 115 kV bus. b. Clear fault after 7 cycles by tripping the faulted line. c. Wait 20 cycles, and then re-close the line in (b) back into the fault. d. Leave fault on for 7 cycles, then trip the line in (b) and remove fault.
FLT9035-3PH	P1	3 phase fault on the HITCHLAND 3 (523093) to GOODWELLWND3 (523174) 115 kV line CKT 1, near HITCHLAND 3. a. Apply fault at the HITCHLAND 3 115 kV bus. b. Clear fault after 7 cycles by tripping the faulted line. Trip generator on GOODWELL_1 10.6900 (523170) Trip generator on GOODWELL_2 10.6900 (523171) c. Wait 20 cycles, and then re-close the line in (b) back into the fault. d. Leave fault on for 7 cycles, then trip the line in (b) and remove fault.
FLT1001-SB	P4	Stuck Breaker on BADGER 7 (515677) at 345kV bus. a. Apply single-phase fault at BADGER 7 (515677) on the 345kV bus. b. After 16 cycles, trip the following elements c. Trip the BADGER 7 (515677) to BVRCNTY7 (515554) 345 kV line CKT 2. d. Trip the BADGER 7 (515677) to GEN-2015-082 (585190) 345 kV line CKT 1. Trip generator G15-082-GEN1 (585193).
FLT1002-SB	P4	Stuck Breaker on BADGER 7 (515677) at 345kV bus. a. Apply single-phase fault at BADGER 7 (515677) on the 345kV bus. b. After 16 cycles, trip the following elements c. Trip the BADGER 7 (515677) to BVRCNTY7 (515554) 345 kV line CKT 2. d. Trip the BADGER 7 (515677) to BVRCNTY7 (515554) 345 kV line CKT 1.
FLT1003-SB	P4	Stuck Breaker on BADGER 7 (515677) at 345kV bus. a. Apply single-phase fault at BADGER 7 (515677) on the 345kV bus. b. After 16 cycles, trip the following elements c. Trip the BADGER 7 (515677) to G16-003-TAP (560071) 345 kV line CKT 1. d. Trip the BADGER 7 (515677) to GEN-2015-082 (585190) 345 kV line CKT 1. Trip generator G15-082-GEN1 (585193).
FLT1004-SB	P4	Stuck Breaker on BADGER 7 (515677) at 345kV bus. a. Apply single-phase fault at BADGER 7 (515677) on the 345kV bus. b. After 16 cycles, trip the following elements c. Trip the BADGER 7 (515677) to G16-003-TAP (560071) 345 kV line CKT 1. d. Trip the BADGER 7 (515677) to GEN-2011-014 (515686) 345 kV line CKT 1. Trip generator G11-014-GEN2 (515682), G11-014-GEN1 (515678).

Table 5-2 continued

Fault ID	Planning Event	Fault Descriptions
FLT1005-SB	P4	<p>Stuck Breaker on BADGER 7 (515677) at 345kV bus. a. Apply single-phase fault at BADGER 7 (515677) on the 345kV bus. b. After 16 cycles, trip the following elements c. Trip the BADGER 7 (515677) to GEN-2011-014 (515686) 345 kV line CKT 1. d. Trip the BADGER 7 (515677) to G16-003-TAP (560071) 345 kV line CKT 2. Trip generator G11-014-GEN2 (515682), G11-014-GEN1 (515678).</p>
FLT1006-SB	P4	<p>Stuck Breaker on BADGER 7 (515677) at 345kV bus. a. Apply single-phase fault at BADGER 7 (515677) on the 345kV bus. b. After 16 cycles, trip the following elements c. Trip the BADGER 7 (515677) to BVRCNTY7 (515554) 345 kV line CKT 1. d. Trip the BADGER 7 (515677) to G16-003-TAP (560071) 345 kV line CKT 2.</p>
FLT1007-SB	P4	<p>Stuck Breaker on BVRCNTY7 (515554) at 345kV bus a. Apply single-phase fault at BVRCNTY7 (515554) on the 345kV bus. b. After 16 cycles, trip the following elements c. Trip the BVRCNTY7 (515554) to BADGER (515677) 345 kV line CKT 2. d. Trip the BVRCNTY7 (515554) to BALKOW (515618) 345 kV line CKT 1. Trip generator BALKOWG1 (515658), BALKOWG2 (515659).</p>
FLT1008-SB	P4	<p>Stuck Breaker on BVRCNTY7 (515554) at 345kV bus a. Apply single-phase fault at BVRCNTY7 (515554) on the 345kV bus. b. After 16 cycles, trip the following elements c. Trip the BVRCNTY7 (515554) to PALDR1W7 (515634) 345 kV line CKT 1. d. Trip the BVRCNTY7 (515554) to HITCHLAND 7 (523097) 345 kV line CKT 1. Trip generator G08-047-GEN1 (515905), G23-SR11-GEN (923111).</p>
FLT1009-SB	P4	<p>Stuck Breaker on BVRCNTY7 (515554) at 345kV bus a. Apply single-phase fault at BVRCNTY7 (515554) on the 345kV bus. b. After 16 cycles, trip the following elements c. Trip the BVRCNTY7 (515554) to HITCHLAND 7 (523097) 345 kV line CKT 1. d. Trip the BVRCNTY7 (515554) to HITCHLAND 7 (523097) 345 kV line CKT 2.</p>
FLT1010-SB	P4	<p>Stuck Breaker on BVRCNTY7 (515554) at 345kV bus a. Apply single-phase fault at BVRCNTY7 (515554) on the 345kV bus. b. After 16 cycles, trip the following elements c. Trip the BVRCNTY7 (515554) to BADGER (515677) 345 kV line CKT 2. d. Trip the BVRCNTY7 (515554) to BADGER (515677) 345 kV line CKT 1.</p>
FLT1011-SB	P4	<p>Stuck Breaker on BVRCNTY7 (515554) at 345kV bus a. Apply single-phase fault at BVRCNTY7 (515554) on the 345kV bus. b. After 16 cycles, trip the following elements c. Trip the BVRCNTY7 (515554) to HITCHLAND 7 (523097) 345 kV line CKT 2. d. Trip the BVRCNTY7 (515554) to BALKOW (515618) 345 kV line CKT 1. Trip generator BALKOWG1 (515658), BALKOWG2 (515659).</p>
FLT1012-SB	P4	<p>Stuck Breaker on BVRCNTY7 (515554) at 345kV bus a. Apply single-phase fault at BVRCNTY7 (515554) on the 345kV bus. b. After 16 cycles, trip the following elements c. Trip the BVRCNTY7 (515554) to PALDR1W7 (515634) 345 kV line CKT 1. d. Trip the BVRCNTY7 (515554) to BADGER (515677) 345 kV line CKT 1. Trip generator G08-047-GEN1 (515905), G23-SR11-GEN (923111).</p>
FLT1013-SB	P4	<p>Stuck Breaker on HITCHLAND 7 (523097) at 345kV bus a. Apply single-phase fault at HITCHLAND 7 (523097) on the 345kV bus. b. After 16 cycles, trip the following elements c. Trip the HITCHLAND (523097) to POTTER_CO 7 345kV (523961) line CKT 1. d. Trip the HITCHLAND 7 (523097) to NOBLE_WND 7 (523101) 345 kV line CKT 1. Trip Generators GRPLINS-WT2 (523123), HSF-D-GEN1 (523122), GRPLAINS-WT4 (523121).</p>
FLT1014-SB	P4	<p>Stuck Breaker on HITCHLAND 7 (523097) at 345kV bus a. Apply single-phase fault at HITCHLAND 7 (523097) on the 345kV bus. b. After 16 cycles, trip the following elements c. Trip the H TB80155502 345 kV (523097) /230 kV (523095) /13.2 kV (523091) XFMR CKT 1. d. Trip the HITCHLAND (523097) to FRWLN-GRVR (523110) 345kV line CKT 1. Trip generator F61F62_F63 (523107), FWN_F51F52 (579373)</p>

Table 5-2 continued

Fault ID	Planning Event	Fault Descriptions
FLT1015-SB	P4	<p>Stuck Breaker on HITCHLAND 7 (523097) at 345kV bus</p> <p>a. Apply single-phase fault at HITCHLAND 7 (523097) on the 345kV bus. b. After 16 cycles, trip the following elements c. Trip the HITCHLAND (523097) to BVRCNTY7 (515554) 345kV line CKT 1. d. Trip the HITCHLAND (523097) to NOVUS1 (523110) 345kV line CKT 1. Trip generator F61F62_F63 (523107), FWN_F51F52 (579373).</p>
FLT1016-SB	P4	<p>Stuck Breaker on HITCHLAND 7 (523097) at 345kV bus</p> <p>a. Apply single-phase fault at HITCHLAND 7 (523097) on the 345kV bus. b. After 16 cycles, trip the following elements c. Trip the SIEM 345 kV (523097) /230 kV (523095) /13.2 kV (523094) XFMR CKT 2. d. Trip the HITCHLAND (523097) to BVRCNTY7 (515554) 345kV line CKT 1. e. Trip the Capbank.</p>
FLT1017-SB	P4	<p>Stuck Breaker on HITCHLAND 7 (523097) at 345kV bus</p> <p>a. Apply single-phase fault at HITCHLAND 7 (523097) on the 345kV bus. b. After 16 cycles, trip the following elements c. Trip the SIEM 345 kV (523097) /230 kV (523095) /13.2 kV (523094) XFMR CKT 2. d. Trip the HITCHLAND (523097) to BVRCNTY7 (515554) 345kV line CKT 2. e. Trip the Capbank.</p>
FLT1018-SB	P4	<p>Stuck Breaker on HITCHLAND 7 (523097) at 345kV bus</p> <p>a. Apply single-phase fault at HITCHLAND 7 (523097) on the 345kV bus. b. After 16 cycles, trip the following elements c. Trip the SIEM 345 kV (523097) /230 kV (523095) /13.2 kV (523094) XFMR CKT 2. d. Trip the HITCHLAND 7 (523097) to NOBLE_WND 7 (523101) 345 kV line CKT 1. e. Trip the Capbank. Trip Generators GRPLINS-WT2 (523123), HSF-D-GEN1 (523122), GRPLAINS-WT4 (523121).</p>
FLT1019-SB	P4	<p>Stuck Breaker on HITCHLAND 7 (523097) at 345kV bus</p> <p>a. Apply single-phase fault at HITCHLAND 7 (523097) on the 345kV bus. b. After 16 cycles, trip the following elements c. Trip the HITCHLAND (523097) to POTTER_CO 7 345kV (523961) line CKT 1. d. Trip the H TB80155502 345 kV (523097) /230 kV (523095) /13.2 kV (523091) XFMR CKT 1.</p>
FLT1020-SB	P4	<p>Stuck Breaker on HITCHLAND 7 (523097) at 345kV bus</p> <p>a. Apply single-phase fault at HITCHLAND 7 (523097) on the 345kV bus. b. After 16 cycles, trip the following elements c. Trip the H TB80155502 345 kV (523097) /230 kV (523095) /13.2 kV (523091) XFMR CKT 1. d. Trip the HITCHLAND 345kV (523097) to CARPENTER 7 (523823) 345kV line CKT 1.</p>
FLT1021-SB	P4	<p>Stuck Breaker on HITCHLAND 7 (523097) at 345kV bus</p> <p>a. Apply single-phase fault at HITCHLAND 7 (523097) on the 345kV bus. b. After 16 cycles, trip the following elements c. Trip the SIEM 345 kV (523097) /230 kV (523095) /13.2 kV (523094) XFMR CKT 2. d. Trip the HITCHLAND 345kV (523097) to CARPENTER 7 (523823) 345kV line CKT 1. e. Trip the Capbank.</p>
FLT1022-SB	P4	<p>Stuck Breaker on HITCHLAND 7 (523097) at 345kV bus</p> <p>a. Apply single-phase fault at HITCHLAND 7 (523097) on the 345kV bus. b. After 16 cycles, trip the following elements c. Trip the H TB80155502 345 kV (523097) /230 kV (523095) /13.2 kV (523091) XFMR CKT 1. d. Trip the HITCHLAND 7 (523097) to G10014G11022 (576397) 345 kV line CKT 1. Trip generator G10-014-GEN1 (576410), G10-014-GEN2 (576400), G11-022-GEN1 (599148), G11-022-GEN2 (599150).</p>
FLT1023-SB	P4	<p>Stuck Breaker on HITCHLAND 7 (523097) at 345kV bus</p> <p>a. Apply single-phase fault at HITCHLAND 7 (523097) on the 345kV bus. b. After 16 cycles, trip the following elements c. Trip the HITCHLAND (523097) to BVRCNTY7 (515554) 345kV line CKT 2. d. Trip the HITCHLAND 7 (523097) to G10014G11022 (576397) 345 kV line CKT 1. Trip generator G10-014-GEN1 (576410), G10-014-GEN2 (576400), G11-022-GEN1 (599148), G11-022-GEN2 (599150).</p>

Table 5-2 continued

Fault ID	Planning Event	Fault Descriptions
FLT1024-SB	P4	<p>Stuck Breaker on HITCHLAND 7 (523097) at 345kV bus</p> <p>a. Apply single-phase fault at HITCHLAND 7 (523097) on the 345kV bus.</p> <p>b. After 16 cycles, trip the following elements</p> <p>c. Trip the SIEM 345 kV (523097) /230 kV (523095) /13.2 kV (523094) XFMR CKT 2.</p> <p>d. Trip the HITCHLAND 7 (523097) to G10014G11022 (576397) 345 kV line CKT 1.</p> <p>e. Trip the Capbank.</p> <p> Trip generator G10-014-GEN1 (576410), G10-014-GEN2 (576400), G11-022-GEN1 (599148), G11-022-GEN2 (599150).</p>
FLT1025-SB	P4	<p>Stuck Breaker on HITCHLAND 7 (523097) at 345kV bus</p> <p>a. Apply single-phase fault at HITCHLAND 7 (523097) on the 345kV bus.</p> <p>b. After 16 cycles, trip the following elements</p> <p>c. Trip the SIEM 345 kV (523097) /230 kV (523095) /13.2 kV (523094) XFMR CKT 2.</p> <p>d. Trip the Capbank</p>
FLT1026-SB	P4	<p>Stuck Breaker on HITCHLAND 6 (523095) at 230kV bus</p> <p>a. Apply single-phase fault at HITCHLAND 6 (523095) on the 230kV bus.</p> <p>b. After 16 cycles, trip the following elements</p> <p>c. Trip the H TP80148301 230 kV (523095) /115 kV (523093) /13.2 kV (523092) XFMR CKT 1.</p> <p>d. Trip the H TB80155502 345 kV (523097) /230 kV (523095) /13.2 kV (523091) XFMR CKT 1.</p>
FLT1027-SB	P4	<p>Stuck Breaker on HITCHLAND 6 (523095) at 230kV bus</p> <p>a. Apply single-phase fault at HITCHLAND 6 (523095) on the 230kV bus.</p> <p>b. After 16 cycles, trip the following elements</p> <p>c. Trip the H TP80148301 230 kV (523095) /115 kV (523093) /13.2 kV (523092) XFMR CKT 1.</p> <p>d. Trip the H TB80155502 345 kV (523097) /230 kV (523095) /13.2 kV (523091) XFMR CKT 1.</p> <p>e. Trip the HITCHLAND 6 (523095) to MOORE_CNTY 6 (523309) 230 kV line CKT 1.</p>
FLT1028-SB	P4	<p>Stuck Breaker on HITCHLAND 6 (523095) at 230kV bus</p> <p>a. Apply single-phase fault at HITCHLAND 6 (523095) on the 230kV bus.</p> <p>b. After 16 cycles, trip the following elements</p> <p>c. Trip the H TP80148301 230 kV (523095) /115 kV (523093) /13.2 kV (523098) XFMR CKT 2.</p> <p>d. Trip the H TB80155502 345 kV (523097) /230 kV (523095) /13.2 kV (523094) XFMR CKT 2.</p> <p>e. Trip the HITCHLAND 6 (523095) to MOORE_CNTY 6 (523309) 230 kV line CKT 1.</p>
FLT1029-SB	P4	<p>Stuck Breaker on HITCHLAND 6 (523095) at 230kV bus</p> <p>a. Apply single-phase fault at HITCHLAND 6 (523095) on the 230kV bus.</p> <p>b. After 16 cycles, trip the following elements</p> <p>c. Trip the H TP80148301 230 kV (523095) /115 kV (523093) /13.2 kV (523098) XFMR CKT 2.</p> <p>d. Trip the H TB80155502 345 kV (523097) /230 kV (523095) /13.2 kV (523094) XFMR CKT 2.</p> <p>e. Trip the HITCHLAND 6 (523095) to OCHILTREE 6 (523155) 230 kV line CKT 1.</p>
FLT1030-SB	P4	<p>Stuck Breaker on HITCHLAND 6 (523095) at 230kV bus</p> <p>a. Apply single-phase fault at HITCHLAND 6 (523095) on the 230kV bus.</p> <p>b. After 16 cycles, trip the following elements</p> <p>c. Trip the H TP80148301 230 kV (523095) /115 kV (523093) /13.2 kV (523098) XFMR CKT 2.</p> <p>d. Trip the H TB80155502 345 kV (523097) /230 kV (523095) /13.2 kV (523094) XFMR CKT 2.</p>
FLT1031-SB	P4	<p>Stuck Breaker on POTTER CO 7 (523961) at 345 kV bus</p> <p>a. Apply single phase fault at POTTER CO 7 bus.</p> <p>b. Clear fault after 16 cycles and trip the following elements</p> <p>c. Trip the Bus POTTER CO 7 (523961).</p> <p> Trip generator SPNSPUR_GEN10.6900 (524295)</p>
FLT1032-SB	P4	<p>Stuck Breaker on CARPENTER 7 (523823) at 345 kV bus</p> <p>a. Apply single phase fault at CARPENTER 7 bus.</p> <p>b. Clear fault after 16 cycles and trip the following elements</p> <p>c. Trip the Bus CARPENTER 7 (523823).</p>

5.3 Scenario 1 Results

Table 5-3 shows the relevant results of the fault events simulated for each of the modified models in Scenario 1. Existing DISIS base case issues are documented separately in Appendix C. The associated stability plots are also provided in Appendix C.

Table 5-3: Scenario 1 Dynamic Stability Results (EGF = 0 MW, SGF = 200 MW)

Fault ID	25SP			25WP		
	Voltage Violation	Voltage Recovery	Stable	Voltage Violation	Voltage Recovery	Stable
FLT9001-3PH	Pass	Pass	Stable	Pass	Pass	Stable
FLT9002-3PH	Pass	Pass	Stable	Pass	Pass	Stable
FLT9003-3PH	Pass	Pass	Stable	Pass	Pass	Stable
FLT9004-3PH	Pass	Pass	Stable	Pass	Pass	Stable
FLT9005-3PH	Pass	Pass	Stable	Pass	Pass	Stable
FLT9006-3PH	Pass	Pass	Stable	Pass	Pass	Stable
FLT9007-3PH	Pass	Pass	Stable	Pass	Pass	Stable
FLT9008-3PH	Pass	Pass	Stable	Pass	Pass	Stable
FLT9009-3PH	Pass	Pass	Stable	Pass	Pass	Stable
FLT9010-3PH	Pass	Pass	Stable	Pass	Pass	Stable
FLT9011-3PH	Pass	Pass	Stable	Pass	Pass	Stable
FLT9012-3PH	Pass	Pass	Stable	Pass	Pass	Stable
FLT9013-3PH	Pass	Pass	Stable	Pass	Pass	Stable
FLT9014-3PH	Pass	Pass	Stable	Pass	Pass	Stable
FLT9015-3PH	Pass	Pass	Stable	Pass	Pass	Stable
FLT9016-3PH	Pass	Pass	Stable	Pass	Pass	Stable
FLT9017-3PH	Pass	Pass	Stable	Pass	Pass	Stable
FLT9018-3PH	Pass	Pass	Stable	Pass	Pass	Stable
FLT9019-3PH	Pass	Pass	Stable	Pass	Pass	Stable
FLT9020-3PH	Pass	Pass	Stable	Pass	Pass	Stable
FLT9021-3PH	Pass	Pass	Stable	Pass	Pass	Stable
FLT9022-3PH	Pass	Pass	Stable	Pass	Pass	Stable
FLT9023-3PH	Pass	Pass	Stable	Pass	Pass	Stable
FLT9024-3PH	Pass	Pass	Stable	Pass	Pass	Stable
FLT9025-3PH	Pass	Pass	Stable	Pass	Pass	Stable
FLT9026-3PH	Pass	Pass	Stable	Pass	Pass	Stable
FLT9027-3PH	Pass	Pass	Stable	Pass	Pass	Stable
FLT9028-3PH	Pass	Pass	Stable	Pass	Pass	Stable
FLT9029-3PH	Pass	Pass	Stable	Pass	Pass	Stable
FLT9031-3PH	N/A	N/A	N/A	N/A	N/A	N/A
FLT9032-3PH	Pass	Pass	Stable	Pass	Pass	Stable
FLT9033-3PH	Pass	Pass	Stable	Pass	Pass	Stable
FLT9034-3PH	Pass	Pass	Stable	Pass	Pass	Stable

Table 5-3 continued

Fault ID	25SP			25WP		
	Voltage Violation	Voltage Recovery	Stable	Voltage Violation	Voltage Recovery	Stable
FLT9035-3PH	Pass	Pass	Stable	Pass	Pass	Stable
FLT1001-SB	Pass	Pass	Stable	Pass	Pass	Stable
FLT1002-SB	Pass	Pass	Stable	Pass	Pass	Stable
FLT1003-SB	Pass	Pass	Stable	Pass	Pass	Stable
FLT1004-SB	Pass	Pass	Stable	Pass	Pass	Stable
FLT1005-SB	Pass	Pass	Stable	Pass	Pass	Stable
FLT1006-SB	Pass	Pass	Stable	Pass	Pass	Stable
FLT1007-SB	Pass	Pass	Stable	Pass	Pass	Stable
FLT1008-SB	Pass	Pass	Stable	Pass	Pass	Stable
FLT1009-SB	Pass	Pass	Stable	Pass	Pass	Stable
FLT1010-SB	Pass	Pass	Stable	Pass	Pass	Stable
FLT1011-SB	Pass	Pass	Stable	Pass	Pass	Stable
FLT1012-SB	Pass	Pass	Stable	Pass	Pass	Stable
FLT1013-SB	Pass	Pass	Stable	Pass	Pass	Stable
FLT1014-SB	Pass	Pass	Stable	Pass	Pass	Stable
FLT1015-SB	Pass	Pass	Stable	Pass	Pass	Stable
FLT1016-SB	Pass	Pass	Stable	Pass	Pass	Stable
FLT1017-SB	Pass	Pass	Stable	Pass	Pass	Stable
FLT1018-SB	Pass	Pass	Stable	Pass	Pass	Stable
FLT1019-SB	Pass	Pass	Stable	Pass	Pass	Stable
FLT1020-SB	Pass	Pass	Stable	Pass	Pass	Stable
FLT1021-SB	Pass	Pass	Stable	Pass	Pass	Stable
FLT1022-SB	Pass	Pass	Stable	Pass	Pass	Stable
FLT1023-SB	Pass	Pass	Stable	Pass	Pass	Stable
FLT1024-SB	Pass	Pass	Stable	Pass	Pass	Stable
FLT1025-SB	Pass	Pass	Stable	Pass	Pass	Stable
FLT1026-SB	Pass	Pass	Stable	Pass	Pass	Stable
FLT1027-SB	Pass	Pass	Stable	Pass	Pass	Stable
FLT1028-SB	Pass	Pass	Stable	Pass	Pass	Stable
FLT1029-SB	Pass	Pass	Stable	Pass	Pass	Stable
FLT1030-SB	Pass	Pass	Stable	Pass	Pass	Stable
FLT1031-SB	Pass	Pass	Stable	Pass	Pass	Stable
FLT1032-SB	Pass	Pass	Stable	Pass	Pass	Stable

The results of the Scenario 1 dynamic stability showed several existing base case issues that were found in both the original DISIS-2017-002-1 model and the model with GEN-2023-SR8 included. These issues were not attributed to the GEN-2023-SR8 surplus request and detailed in Appendix C.

There were no damping or voltage recovery violations attributed to the GEN-2023-SR8 surplus request observed during the simulated faults. Additionally, the project was found to stay connected during the contingencies that were studied and, therefore, will meet the Low Voltage Ride Through (LVRT) requirements of FERC Order #661A.

5.4 Scenario 2 Results

Table 5-4 shows the relevant results of the fault events simulated for each of the modified models in Scenario 2. Existing DISIS base case issues are documented separately in Appendix C. The associated stability plots are also provided in Appendix C.

Table 5-4: Scenario 2 Dynamic Stability Results (EGF = 457.8 MW, SGF =200 MW)

Fault ID	25SP			25WP		
	Voltage Violation	Voltage Recovery	Stable	Voltage Violation	Voltage Recovery	Stable
FLT9001-3PH	Pass	Pass	Stable	Pass	Pass	Stable
FLT9002-3PH	Pass	Pass	Stable	Pass	Pass	Stable
FLT9003-3PH	Pass	Pass	Stable	Pass	Pass	Stable
FLT9004-3PH	Pass	Pass	Stable	Pass	Pass	Stable
FLT9005-3PH	Pass	Pass	Stable	Pass	Pass	Stable
FLT9006-3PH	Pass	Pass	Stable	Pass	Pass	Stable
FLT9007-3PH	Pass	Pass	Stable	Pass	Pass	Stable
FLT9008-3PH	Pass	Pass	Stable	Pass	Pass	Stable
FLT9009-3PH	Pass	Pass	Stable	Pass	Pass	Stable
FLT9010-3PH	Pass	Pass	Stable	Pass	Pass	Stable
FLT9011-3PH	Pass	Pass	Stable	Pass	Pass	Stable
FLT9012-3PH	Pass	Pass	Stable	Pass	Pass	Stable
FLT9013-3PH	Pass	Pass	Stable	Pass	Pass	Stable
FLT9014-3PH	Pass	Pass	Stable	Pass	Pass	Stable
FLT9015-3PH	Pass	Pass	Stable	Pass	Pass	Stable
FLT9016-3PH	Pass	Pass	Stable	Pass	Pass	Stable
FLT9017-3PH	Pass	Pass	Stable	Pass	Pass	Stable
FLT9018-3PH	Pass	Pass	Stable	Pass	Pass	Stable
FLT9019-3PH	Pass	Pass	Stable	Pass	Pass	Stable
FLT9020-3PH	Pass	Pass	Stable	Pass	Pass	Stable
FLT9021-3PH	Pass	Pass	Stable	Pass	Pass	Stable
FLT9022-3PH	Pass	Pass	Stable	Pass	Pass	Stable
FLT9023-3PH	Pass	Pass	Stable	Pass	Pass	Stable
FLT9024-3PH	Pass	Pass	Stable	Pass	Pass	Stable
FLT9025-3PH	Pass	Pass	Stable	Pass	Pass	Stable
FLT9026-3PH	Pass	Pass	Stable	Pass	Pass	Stable
FLT9027-3PH	Pass	Pass	Stable	Pass	Pass	Stable
FLT9028-3PH	Pass	Pass	Stable	Pass	Pass	Stable
FLT9029-3PH	Pass	Pass	Stable	Pass	Pass	Stable
FLT9031-3PH	Pass	Pass	Stable	Pass	Pass	Stable
FLT9032-3PH	Pass	Pass	Stable	Pass	Pass	Stable
FLT9033-3PH	Pass	Pass	Stable	Pass	Pass	Stable
FLT9034-3PH	Pass	Pass	Stable	Pass	Pass	Stable
FLT9035-3PH	Pass	Pass	Stable	Pass	Pass	Stable
FLT1001-SB	Pass	Pass	Stable	Pass	Pass	Stable
FLT1002-SB	Pass	Pass	Stable	Pass	Pass	Stable

Table 5-4 continued

Fault ID	25SP			25WP		
	Voltage Violation	Voltage Recovery	Stable	Voltage Violation	Voltage Recovery	Stable
FLT1003-SB	Pass	Pass	Stable	Pass	Pass	Stable
FLT1004-SB	Pass	Pass	Stable	Pass	Pass	Stable
FLT1005-SB	Pass	Pass	Stable	Pass	Pass	Stable
FLT1006-SB	Pass	Pass	Stable	Pass	Pass	Stable
FLT1007-SB	Pass	Pass	Stable	Pass	Pass	Stable
FLT1008-SB	Pass	Pass	Stable	Pass	Pass	Stable
FLT1009-SB	Pass	Pass	Stable	Pass	Pass	Stable
FLT1010-SB	Pass	Pass	Stable	Pass	Pass	Stable
FLT1011-SB	Pass	Pass	Stable	Pass	Pass	Stable
FLT1012-SB	Pass	Pass	Stable	Pass	Pass	Stable
FLT1013-SB	Pass	Pass	Stable	Pass	Pass	Stable
FLT1014-SB	Pass	Pass	Stable	Pass	Pass	Stable
FLT1015-SB	Pass	Pass	Stable	Pass	Pass	Stable
FLT1016-SB	Pass	Pass	Stable	Pass	Pass	Stable
FLT1017-SB	Pass	Pass	Stable	Pass	Pass	Stable
FLT1018-SB	Pass	Pass	Stable	Pass	Pass	Stable
FLT1019-SB	Pass	Pass	Stable	Pass	Pass	Stable
FLT1020-SB	Pass	Pass	Stable	Pass	Pass	Stable
FLT1021-SB	Pass	Pass	Stable	Pass	Pass	Stable
FLT1022-SB	Pass	Pass	Stable	Pass	Pass	Stable
FLT1023-SB	Pass	Pass	Stable	Pass	Pass	Stable
FLT1024-SB	Pass	Pass	Stable	Pass	Pass	Stable
FLT1025-SB	Pass	Pass	Stable	Pass	Pass	Stable
FLT1026-SB	Pass	Pass	Stable	Pass	Pass	Stable
FLT1027-SB	Pass	Pass	Stable	Pass	Pass	Stable
FLT1028-SB	Pass	Pass	Stable	Pass	Pass	Stable
FLT1029-SB	Pass	Pass	Stable	Pass	Pass	Stable
FLT1030-SB	Pass	Pass	Stable	Pass	Pass	Stable
FLT1031-SB	Pass	Pass	Stable	Pass	Pass	Stable
FLT1032-SB	Pass	Pass	Stable	Pass	Pass	Stable

The results of the Scenario 2 dynamic stability showed several existing base case issues that were found in both the original DISIS-2017-002-1 model and the model with GEN-2023-SR8 included. These issues were not attributed to the GEN-2023-SR8 surplus request and detailed in Appendix C.

There were no damping or voltage recovery violations attributed to the GEN-2023-SR8 surplus request observed during the simulated faults. Additionally, the project was found to stay connected during the contingencies that were studied and, therefore, will meet the Low Voltage Ride Through (LVRT) requirements of FERC Order #661A.

6.0 Necessary Interconnection Facilities and Network Upgrades

This study identified the impact of the Surplus Interconnection Service on the transmission system reliability and any additional Interconnection Facilities or Network Upgrades necessary. The Surplus Interconnection Service is only available up to the amount that can be accommodated without requiring additional Network Upgrades unless (a) those additional Network Upgrades are either (1) located at the Point of Interconnection substation and at the same voltage level as the Generating Facility with an effective GIA, or (2) are System Protection Facilities; and (b) there are no material adverse impacts on the cost or timing of any Interconnection Requests pending at the time the Surplus Interconnection Service request is submitted.

6.1 Interconnection Facilities

This study did not identify any additional Interconnection Facilities required by the addition of the SGF.

6.2 Network Upgrades

This study did not identify any Network Upgrades required by the addition of the SGF. SPP will reach out to the TO and/or TOP to determine if there are any additional Network Upgrades that are either (1) located at the Point of Interconnection substation and at the same voltage level as the Generating Facility with an effective GIA, or (2) are System Protection Facilities.

7.0 Surplus Interconnection Service Determination and Requirements

In accordance with Attachment V of the SPP Tariff, SPP shall evaluate the request for Surplus Interconnection Service and inform the Interconnection Customer in writing of whether the Surplus Interconnection Service can be utilized without negatively impacting the reliability of the Transmission System and without any additional Network Upgrades necessary except those specified in the SPP Tariff.

7.1 Surplus Service Determination

SPP determined the request for Surplus Interconnection Service does not negatively impact the reliability of the Transmission System and no required Network Upgrades or Interconnection Facilities were identified by this Surplus Interconnection Service Impact Study performed by Aneden. Aneden evaluated the impact of the requested Surplus Interconnection Service on the prior study results and determined that the requested Surplus Interconnection Service resulted in similar dynamic stability and short circuit analyses and that the prior study steady-state results are not negatively impacted.

SPP has determined that GEN-2023-SR8 may utilize the requested 200 MW of Surplus Interconnection Service being made available by GEN-2010-014 & GEN-2011-022.

7.2 Surplus Service Requirements

The amount of Surplus Interconnection Service available to be used is limited by the amount of Interconnection Service granted to the existing interconnection customer at the same POI. The combined generation from both the SGF and the EGF may not exceed 657.8 MW at the POI, which is the total Interconnection Service amount currently granted to the EGF.

The customer must install monitoring and control equipment as needed to ensure that the SGF does not exceed the granted surplus amount and to ensure that combination of the SGF and EGF power injected at the POI does not exceed the Interconnection Service amount listed in the EGF's GIA. The monitoring and control scheme may be reviewed by the TO and documented in Appendix C of the SGF GIA.

SPP will reach out to the TO and/or TOP to determine if there are any additional Network Upgrades that are either (1) located at the Point of Interconnection substation and at the same voltage level as the Generating Facility with an effective GIA, or (2) are System Protection Facilities.