



**INTERCONNECTION
FACILITIES STUDY
REPORT**

GEN-2015-082
(IFS-2016-001-28)

Published November 2018

By SPP Generator Interconnections Dept.

REVISION HISTORY

DATE OR VERSION NUMBER	AUTHOR	CHANGE DESCRIPTION
9/26/2018	SPP	Initial draft report issued.
11/6/2018	SPP	Final report issued.

CONTENTS

Revision History	i
Summary	1
Introduction	1
Phase(s) of Interconnection Service	1
Credits/Compensation for Amounts Advanced for Network Upgrade(s).....	1
Interconnection Customer Interconnection Facilities	2
Transmission Owner Interconnection Facilities and Non-Shared Network Upgrade(s).....	3
Shared Network Upgrade(s)	4
Previous Network Upgrade(s).....	5
Affected System Upgrade(s)	6
Conclusion.....	7
Appendices	8
A: Transmission Owner’s Interconnection Facilities Study Report.....	9

SUMMARY

INTRODUCTION

This Interconnection Facilities Study (IFS) for Interconnection Request GEN-2015-082/IFS-2016-001-28 is for a 200.00 MW generating facility located in Beaver Country, Oklahoma. The Interconnection Request was studied in the DISIS-2016-001 Impact Study for Energy Resource Interconnection Service (ERIS) and Network Resource Interconnection Service (NRIS). The Interconnection Request was restudied in DISIS-2016-001-1 for ERIS only. The Interconnection Customer's requested in-service date is December 1, 2017.

The interconnecting Transmission Owner, Oklahoma Electric and Gas Company (OKGE), performed a detailed IFS at the request of SPP. The full report is included in Appendix A. SPP has determined that full Interconnection Service will be available after the assigned Transmission Owner Interconnection Facilities (TOIF), Non-Shared Network Upgrades and Previous Network Upgrades that are required for full interconnection service are completed.

The primary objective of the IFS is to identify necessary Transmission Owner Interconnection Facilities, Network Upgrades, other direct assigned upgrades, cost estimates, and associated upgrade lead times needed to grant the requested Interconnection Service.

PHASE(S) OF INTERCONNECTION SERVICE

It is not expected that Interconnection Service will occur in phases. However, Interconnection Service will not be available until all Interconnection Facilities and Network Upgrade(s) can be placed in service.

CREDITS/COMPENSATION FOR AMOUNTS ADVANCED FOR NETWORK UPGRADE(S)

Interconnection Customer shall be entitled to compensation in accordance with Attachment Z2 of the SPP OATT for the cost of SPP creditable-type Network Upgrades, including any tax gross-up or any other tax-related payments associated with the Network Upgrades, that are not otherwise refunded to the Interconnection Customer. Compensation shall be in the form of either revenue credits or incremental Long Term Congestion Rights (iLTCR).

INTERCONNECTION CUSTOMER INTERCONNECTION FACILITIES

The Generating Facility is proposed to consist of one hundred (100) GE 2.0 MW wind generators for a total generating nameplate capacity of 200.00 MW.

The Interconnection Customer's Interconnection Facilities to be designed, procured, constructed, installed, maintained, and owned by the Interconnection Customer at its sole expense include:

- 34.5kV underground cable collection circuits;
- 34.5kV to 345kV transformation substation with associated 34.5kV and 345kV switchgear;
- One (1) 345/34.5kV 138/184/230 MVA (ONAN/ONAF/ONAF) step-up transformer to be owned and maintained by the Interconnection Customer at the Interconnection Customer's substation;
- A twenty-five (25) mile overhead 345kV line to connect the Interconnection Customer's substation to the Point of Interconnection ("POI") at the 345kV bus at existing Transmission Owner substation ("Badger Substation") that is owned and maintained by Transmission Owner;
- All transmission facilities required to connect the Interconnection Customer's substation to the POI;
- Equipment at the Interconnection Customer's substation necessary to maintain a composite power delivery at continuous rated power output at the high-side of the generator substation at a power factor within the range of 95% lagging and 95% leading in accordance with Federal Energy Regulatory Commission (FERC) Order 827. Additionally approximately 24.0 Mvars¹ of reactors will be required to compensate for injection of reactive power into the transmission system under no/reduced generating conditions. The Interconnection Customer may use inverter manufacturing options for providing reactive power under no/reduced generation conditions. The Interconnection Customer will be required to provide documentation and design specifications demonstrating how the requirements are met.

The Interconnection Customer shall coordinate relay, protection, control, and communication system configurations and schemes with the Transmission Owner.

¹ This approximate minimum reactor amount is needed for the current configuration of GEN-2015-082 as studied in the DISIS-2016-001 Impact Study and restudy.

TRANSMISSION OWNER INTERCONNECTION FACILITIES AND NON-SHARED NETWORK UPGRADE(S)

To facilitate interconnection, the interconnecting Transmission Owner will perform work as shown below necessary for the acceptance of the Interconnection Customer’s Interconnection Facilities.

Table 1 and **Table 2** lists the Interconnection Customer’s estimated cost responsibility for Transmission Owner Interconnection Facilities (TOIF) and Non-Shared Network Upgrade(s) and provides an estimated lead time for completion of construction. The estimated lead time begins when the Generator Interconnection Agreement has been fully executed.

Table 1: Transmission Owner Interconnection Facilities (TOIF)

Transmission Owner Interconnection Facilities (TOIF)	Total Cost Estimate (\$)	Allocated Percent (%)	Allocated Cost Estimate (\$)	Estimated Lead Time
<u>OKGE 345kV Badger Interconnection</u> Substation: Construct one (1) 345kV line terminal, line switches, dead end structure, line relaying, communications, revenue metering, line arrestor, and all associated equipment and facilities necessary to accept transmission line from Interconnection Customer’s Generating Facility.	\$892,334	100%	\$892,334	9 Months
Total	\$892,334	100%	\$892,334	

Table 2: Non-Shared Network Upgrade(s)

Non-Shared Network Upgrades Description	Z2 Type²	Total Cost Estimate (\$)	Allocated Percent (%)	Allocated Cost Estimate (\$)	Estimated Lead Time
<u>OKGE 345kV Badger Interconnection</u> Substation: Construct one (1) 345kV 5000A continuous ampacity breakers, control panels, line relaying, disconnect switches, structures, foundations, conductors, insulators, and all other associated work and materials.	Non-Creditable	\$1,037,666	100%	\$1,037,666	9 Months
Total		\$1,037,666	100%	\$1,037,666	

² Indicates the method used for calculating credit impacts under Attachment Z2 of the Tariff.

SHARED NETWORK UPGRADE(S)

The Interconnection Customer’s share of costs for Shared Network Upgrades is estimated in **Table 3** below.

Table 3: Interconnection Customer Shared Network Upgrades

Shared Network Upgrades Description	Z2 Type	Total Cost Estimate (\$)	Allocated Percent (%)	Allocated Cost Estimate (\$)	Estimated Lead Time
None	N/A	\$0	N/A	\$0	N/A
Total		\$0		\$0	

All studies have been conducted assuming that higher-queued Interconnection Request(s) and the associated Network Upgrade(s) will be placed into service. If higher-queued Interconnection Request(s) withdraw from the queue, suspend or terminate service, the Interconnection Customer’s share of costs may be revised. Restudies, conducted at the customer’s expense, will determine the Interconnection Customer’s revised allocation of Shared Network Upgrades.

PREVIOUS NETWORK UPGRADE(S)

Certain Previous Network Upgrades are **currently not the cost responsibility** of the Interconnection Customer but will be required for full Interconnection Service.

Table 4: Interconnection Customer Previous Network Upgrade(s)

Previous Network Upgrade(s) Description	Current Cost Assignment	Estimated In-Service Date
Cleo Corner – Cleo Plant Tap 138kV CKT 1: Replace terminal equipment to at least 1200 amps	\$61,890	6/14/2019

Depending upon the status of higher- or equally-queued customers, the Interconnection Request’s in-service date is at risk of being delayed or Interconnection Service is at risk of being reduced until the in-service date of these Previous Network Upgrades.

AFFECTED SYSTEM UPGRADE(S)

To facilitate interconnection, the Affected System Transmission Owner will be required to perform the facilities study work as shown below necessary for the acceptance of the Interconnection Customer’s Interconnection Facilities. **Table 5** displays the current impact study costs provided by MISO as part of the Affected System Impact review. The Affected System facilities study could provide revised costs and will provide each Interconnection Customer’s allocation responsibilities for the upgrades.

Table 5: Interconnection Customer Affected System Upgrade(s)

Affected System Upgrades Description	Total Cost Estimate (\$)	Allocated Share (%)	Allocated Cost Estimate (\$)
None	\$0	N/A	\$0
Total	\$0		\$0

CONCLUSION

After all Interconnection Facilities and Network Upgrades have been placed into service, Interconnection Service for 200.00 MW can be granted. Interconnection Service will be delayed until the Transmission Owner Interconnection Facilities (TOIF), Non-Shared Network Upgrades and Previous Network Upgrades are completed. The Interconnection Customer’s estimated cost responsibility for Transmission Owner Interconnection Facilities (TOIF) and Non-Shared Network Upgrades are summarized in the table below.

Table 6: Cost Summary

Description	Allocated Cost Estimate
Transmission Owner Interconnection Facilities	\$892,334
Network Upgrades	\$1,037,666
Total	\$1,930,000

A draft Generator Interconnection Agreement will be provided to the Interconnection Customer consistent with the final results of this IFS report. The Transmission Owner and Interconnection Customer will have 60 days to negotiate the terms of the GIA consistent with the SPP Open Access Transmission Tariff (OATT).

APPENDICES

A: TRANSMISSION OWNER'S INTERCONNECTION FACILITIES STUDY REPORT

See next page for the Transmission Owner's Interconnection Facilities Study Report.



FACILITY STUDY

for

Generation Interconnection Request 2015-082

200 MW Wind Generating Facility
In Beaver County
Oklahoma

January 10, 2017

Eddie Hernandez
Senior Engineer
Transmission Planning
OG&E Electric Services

Summary

Pursuant to the tariff and at the request of the Southwest Power Pool (SPP), Oklahoma Gas and Electric (OG&E) performed the following Facility Study to satisfy the Facility Study Agreement executed by the requesting customer for SPP Generation Interconnection request Gen-2015-082. The request for interconnection was placed with SPP in accordance SPP's Open Access Transmission Tariff, which covers new generation interconnections on SPP's transmission system. The requirements for interconnection consist of adding one 345kV breaker, a terminal for the wind farm line, associated metering, protection, and communications in Badger substation. The total cost for OKGE to complete the necessary work is estimated at \$1,930,000.

Table of Contents

Table of Contents	3
Introduction	4
Interconnection Facilities	5
Interconnection Costs	6
One-Line diagram of Interconnection	7

Introduction

The Southwest Power Pool has requested a Facility Study for the purpose of interconnecting a wind generating facility within the service territory of OG&E Electric Services (OKGE) in Beaver County Oklahoma. The proposed 345kV point of interconnection is at Badger Substation in Beaver County. This substation is owned by OKGE. The cost for adding a new 345kV terminal to Badger Substation, the required interconnection facility, is estimated at \$892,334.

Network Constraints in the Southwest Public Service (SPS), OKGE and Western Farmers Electric Cooperative (WFEC) systems may be verified with a transmission service request and associated studies.

Other Network Constraints in the American Electric Power West (AEPW), Southwest Public Service (SPS), OKGE and Western Farmers Electric Cooperative (WFEC) systems may be verified with a transmission service request and associated studies.

Interconnection Facilities

The primary objective of this study is to identify attachment facilities. The requirements for interconnection consist of adding a new 345kV terminal in an existing EHV Substation. This 345kV addition shall be constructed and maintained by OKGE. It is assumed that obtaining all necessary right-of-way for the line into the new OKGE 345kV substation facilities will be performed by the interconnection customer.

The total cost for OKGE to add a new 345kV terminal in an existing EHV Substation, the interconnection facility, is estimated at \$892,334. This cost does not include building the 345kV line from the Customer substation into Badger Substation. The Customer is responsible for this 345kV line up to the point of interconnection. This cost does not include the Customer's 345-34.5kV substation and the cost estimate should be determined by the Customer.

This Facility Study does not guarantee the availability of transmission service necessary to deliver the additional generation to any specific point inside or outside the Southwest Power Pool (SPP) transmission system. The transmission network facilities may not be adequate to deliver the additional generation output to the transmission system. If the customer requests firm transmission service under the SPP Open Access Transmission Tariff at a future date, Network Upgrades or other new construction may be required to provide the service requested under the SPP OATT.

The costs of interconnecting the facility to the OKGE transmission system are listed in Table 1.

Short Circuit Fault Duty Evaluation

It is standard practice for OG&E to recommend replacing a circuit breaker when the current through the breaker for a fault exceeds 100% of its interrupting rating with re-closer de-rating applied, as determined by the ANSI/IEEE C37.5-1979, C37.010-1979 & C37.04-1979 breaker rating methods.

For this generator interconnection, no breakers were found to exceed their interrupting capability after the addition of the Customer’s 200MW generation and related facilities. OG&E found no breakers that exceeded their interrupting capabilities on their system. Therefore, there is no short circuit upgrade costs associated with the Gen-2015-082 interconnection.

Table 1: Required Interconnection Network Upgrade Facilities

Facility	ESTIMATED COST (2017 DOLLARS)
OKGE – Interconnection Facilities - Add a single 345kV line terminal to an existing EHV Substation. Dead end structure, line switch, line relaying, revenue metering including CTs and PTs	\$892,334
OKGE – Network Upgrades at an existing EHV sub, Install 1-345kV 5000A breakers, line relaying, disconnect switches, and associated equipment.	\$1,037,666
OKGE - Right-of-Way for 345kV terminal addition	No Additional ROW
Total	\$1,930,000

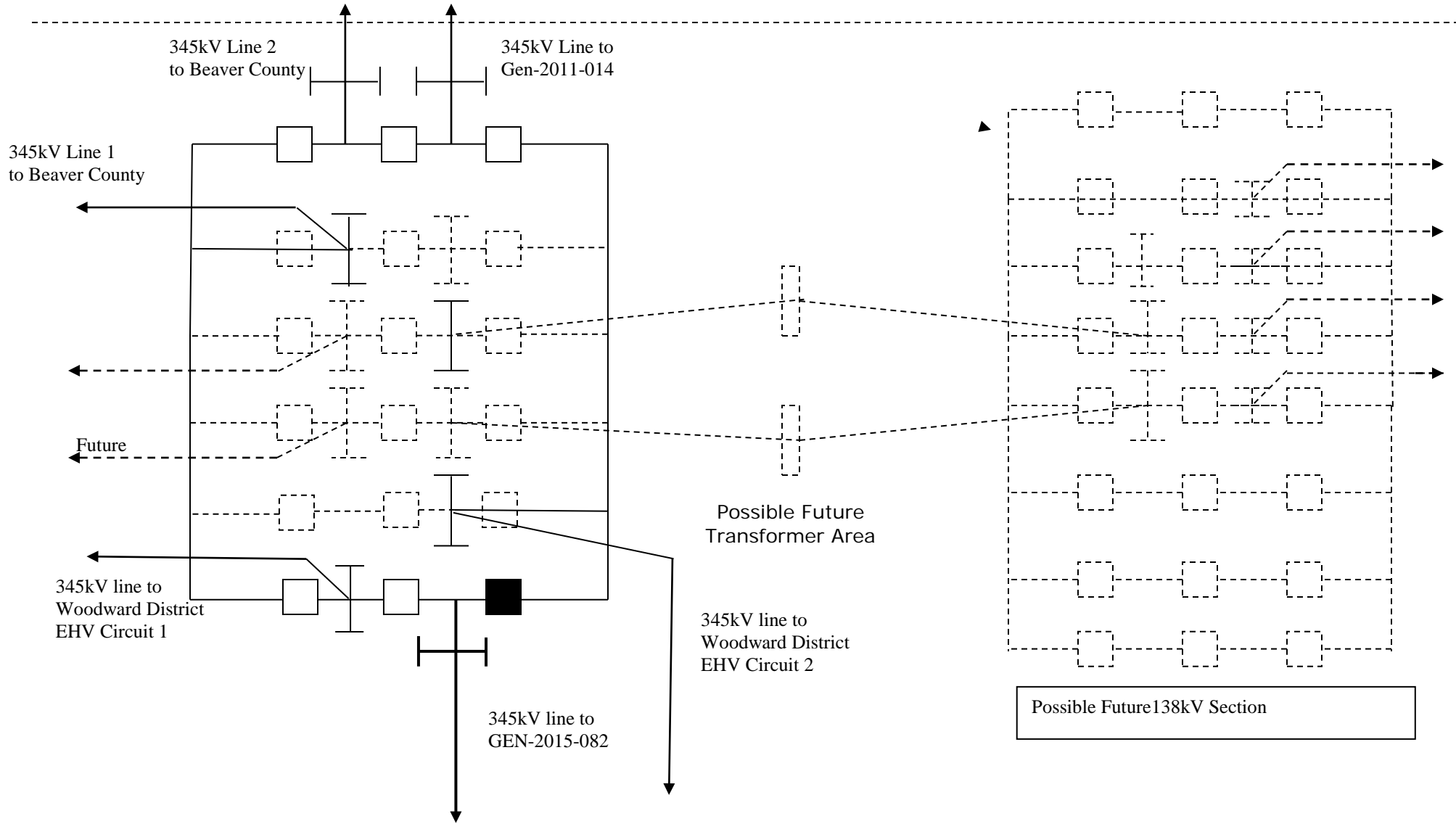
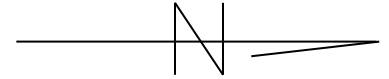
Prepared by Eddie Hernandez

January 10, 2017

Senior Engineer, Transmission Planning
OG&E Electric Services

Reviewed by:

Badger Substation



PL