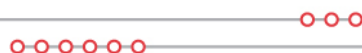


Feasibility Cluster Study for Generator Interconnection Requests (FCS-2015-003)

August 2015

Generator Interconnection Studies



Revision History

Date or Version Number	Author	Change Description	Comments
8/31/2015	Southwest Power Pool	N/A	Report Issued

Executive Summary

Generator Interconnection customers have requested a Feasibility Study under the Generator Interconnection Procedures (GIP) in the Southwest Power Pool Open Access Transmission Tariff (OATT). The Interconnection Customers' requests have been clustered together for the following Feasibility Cluster Study (FCS) window which closed June 30th, 2015. This Feasibility Cluster Study analyzes generation interconnection requests totaling approximately 600 MW which would be located within the transmission system of Southwestern Public Service (SPS). The generation interconnection requests have a proposed in-service dates¹. The generation interconnection requests included in this Feasibility Cluster Study are listed in Appendix A by queue number, amount, requested interconnection service, area, requested interconnection point, proposed interconnection point, and the requested in-service date.

Power flow analysis has indicated that for the power flow cases studied, 600 MW of nameplate generation may be interconnected with transmission system reinforcements within the SPP transmission system. The need for reactive compensation in accordance with Order No. 661-A for wind farm interconnection requests will be evaluated in the Preliminary Interconnection System Impact Study (PISIS) and Definitive Interconnection System Impact Study (DISIS) based on the wind turbine manufacturer and type requested by the Customer. Dynamic stability studies performed as part of the PISIS and DISIS Cluster Studies will provide additional guidance as to whether required reactive compensation can be static or a portion must be dynamic (such as a SVC).

Four (4) Point of Interconnection (POI) assumption analysis were conducted for GEN-2015-031 primary and secondary POIs and GEN-2015-032 primary and secondary POIs. Analysis #1 study assumptions are GEN-2015-031 at Swisher 115kV and GEN-2015-032 at Newhart 230kV. Analysis #2 study assumptions are GEN-2015-031 at Swisher 115kV and GEN-2015-032 at Tuila Tap 115kV. Analysis #3 study assumptions are GEN-2015-031 at Swisher 230kV and GEN-2015-032 at Newhart 230kV. Analysis #4 study assumptions are GEN-2015-031 at Swisher 230kV and GEN-2015-032 at Tulia Tap 115kV. Please note, if the Interconnection Customers proceed into the Preliminary Interconnection System Impact Study (PISIS) or Definitive Interconnection System Impact Study (DISIS), the Interconnection Customer can propose only one Point of Interconnection (POI).

In no way does this study guarantee operation for all periods of time. This interconnection study identifies and assigns transmission reinforcements for Energy Resource (ER) interconnection injection constraints and Network Resource (NR) constraints if requested by the Customer. This interconnection study does not assign transmission reinforcements for all potential transmission constraints. It should be noted that although this study analyzed many of the most probable contingencies, it is not an all-inclusive list and cannot account for every operational situation. Because of this, it is likely that the Customer(s) may be required to reduce their generation output to 0 MW, also known as curtailment, under certain system conditions to allow system operators to maintain the reliability of the transmission network.

¹ The generation interconnection requests in-service dates will need to be deferred based on the required lead time for the Network Upgrades necessary. The Interconnection Customer's that proceed to the Facility Study will be provided a new in-service date based on the competition of the Facility Study.

The total estimated minimum cost for interconnecting the studied generation interconnection requests is \$21,000,000 for Analysis #1. The total estimated minimum cost for interconnecting the studied generation interconnection request is \$65,467,500 for Analysis #2. The total estimated minimum cost for interconnecting the studied generation interconnection request is \$22,000,000 for Analysis #3. The total estimated minimum cost for interconnecting the studied generation interconnection request is \$51,467,500 for (POI) Analysis #4. These costs are shown in Appendices E and F. The one-line diagrams in Appendix D should be consulted for details of the alternate POIs. These costs do not include the Interconnection Customer Interconnection Facilities as defined by the SPP Open Access Transmission Tariff (OATT). This cost does not include the possible need for reactive compensation or additional interconnection facilities or network upgrades that may be identified through additional analyses performed in the PISIS and DISIS. Most importantly, these costs do not include potential costs from upgrades that are identified for the DISIS-2014-002 and DISIS-2015-001 Cluster Studies. If any Interconnection Requests are withdrawn from the DISIS-2014-002 or DISIS-2015-001 study, then potential upgrades tentatively assigned to those Interconnection Requests may be assigned to the Interconnection Requests in this FCS-2015-003 study once these Interconnection Requests execute a Definitive Interconnection System Impact Study Agreement.

Network Constraints listed in Appendix I are located in the local area of the new generation when this generation is injected throughout the SPP footprint for the Energy Resource (ER) Interconnection Request. Certain interconnection requests have been studied for Network Resource (NR) Interconnection Service. Those constraints are also listed in Appendix I. Additional Network constraints will have to be verified with a Transmission Service Request (TSR) and associated studies. With a defined source and sink in a TSR, this list of Network Constraints will be refined and expanded to account for all Network Upgrade requirements.

The required interconnection costs listed in Appendix E and F do not include all costs associated with the deliverability of the energy to final customers. These costs are determined by separate studies if the Customer submits a Transmission Service Request through SPP's Open Access Same Time Information System (OASIS) as required by Attachment Z1 of the SPP OATT.

Table of Contents

Revision History	2
Executive Summary	3
Table of Contents	5
Introduction.....	7
Model Development	8
Interconnection Requests Included in the Cluster	8
Previously Queued Interconnection Requests.....	8
Development of Base Cases.....	8
Base Case Upgrades.....	8
Contingent Upgrades.....	10
Potential Upgrades Not in the Base Case.....	12
Regional Groupings	12
Identification of Network Constraints	12
Identification of Electrically Isolated Groups and Requests	13
Determination of Cost Allocated Network Upgrades	13
Credits for Amounts Advanced for Network Upgrades.....	14
Interconnection and Network Upgrade Facilities.....	14
Power Flow Analysis.....	14
Power Flow Analysis Methodology.....	14
Power Flow Analysis	15
Cluster Group 6 (South Texas Panhandle/New Mexico).....	15
Curtailment and System Reliability	19
Conclusion	20
Appendix.....	21
A: Generator Interconnection Requests Considered for Study.....	22
B: Prior Queued Interconnection Requests.....	23
C: Study Groupings.....	24
D: Proposed Point of Interconnection One line Diagrams.....	25
E: Cost Allocation per Interconnection Request (Including Prior Queued Upgrades).....	28
F: Cost Allocation per Proposed Study Network Upgrade.....	29

G: FCITC Analysis Constraints Requiring Reinforcement30
H: FCITC Analysis Constraints Requiring Reinforcement (NRIS)31
I: FCITC Analysis Constraints Not Requiring Reinforcement.....**Error! Bookmark not defined.**

Introduction

Generator Interconnection customers have requested a Feasibility Study under the Generator Interconnection Procedures (GIP) in the Southwest Power Pool Open Access Transmission Tariff (OATT). The Interconnection Customers' requests have been clustered together for the following Feasibility Cluster Study (FCS) window which closed June 30, 2015. This Feasibility Cluster Study analyzes generation interconnection requests totaling approximately 600 MW which would be located within the transmission system of Southwestern Public Service (SPS). The generation interconnection requests have various proposed in-service dates². The generation interconnection requests included in this Feasibility Cluster Study are listed in Appendix A by queue number, amount, area, requested interconnection service, requested interconnection point, proposed interconnection point, and the requested in-service date.

Four (4) Point of Interconnection (POI) assumption analysis were conducted for GEN-2015-031 primary and secondary POIs and GEN-2015-032 primary and secondary POIs. Analysis #1 study assumptions are GEN-2015-031 at Swisher 115kV and GEN-2015-032 at Newhart 230kV. Analysis #2 study assumptions are GEN-2015-031 at Swisher 115kV and GEN-2015-032 at Tuila Tap 115kV. Analysis #3 study assumptions are GEN-2015-031 at Swisher 230kV and GEN-2015-032 at Newhart 230kV. Analysis #4 study assumptions are GEN-2015-031 at Swisher 230kV and GEN-2015-032 at Tulia Tap 115kV. Please note, if the Interconnection Customers proceed into the Preliminary Interconnection System Impact Study (PISIS) or Definitive Interconnection System Impact Study (DISIS), the Interconnection Customer can propose only one Point of Interconnection (POI).

The primary objective of this Feasibility Cluster Study is to identify the system constraints associated with connecting the generation to the area transmission system. The Feasibility and other subsequent Interconnection Studies are designed to identify attachment facilities, Network Upgrades and other Direct Assignment Facilities needed to accept power into the grid at each specific interconnection receipt point.

² The generation interconnection requests in-service dates will need to be deferred based on the required lead time for the Network Upgrades necessary. The Interconnection Customer's that proceed to the Facility Study will be provided a new in-service date based on the competition of the Facility Study.

Model Development

Interconnection Requests Included in the Cluster

SPP has included all interconnection requests that submitted a Feasibility Study Agreement no later than June 30, 2015 and were subsequently accepted by Southwest Power Pool under the terms of the Generator Interconnection Procedures (GIP) effective at the time of this study. The interconnection requests that are included in this study are listed in Appendix A.

Previously Queued Interconnection Requests

The previously queued requests included in this study are listed in Appendix B. In addition to the Base Case Upgrades, the previously queued requests and associated upgrades were assumed to be in-service and added to the Base Case models. These projects were dispatched as Energy Resources and or Network Resources (in accordance with the individual Generator Interconnection Requests) with equal distribution across the SPP footprint.

Development of Base Cases

The 2014 series Integrated Transmission Planning models (used in the 2015ITPNT) including the 2015 spring, 2015 summer peak, 2020 summer and winter peak, and 2025 summer peak scenario 0 cases were used for this study. After the cases were developed, each of the control areas' resources were then re-dispatched to account for the new generation requests using current dispatch orders.

Base Case Upgrades

The following facilities are part of the SPP Transmission Expansion Plan or the Balanced Portfolio or recently approved Priority Projects. These facilities, have an approved Notice to Construct (NTC), or are in construction stages and were assumed to be in-service at the time of dispatch and added to the base case models. The FCS-2015-003 Customers have not been assigned cost for the below listed projects. The FCS-2015-003 Customers Generation Facilities in service dates may need to be delayed until the completion of the following upgrades. If for some reason, construction on these projects is discontinued, additional restudies will be needed to determine the interconnection needs of the Feasibility Study customers.

- 2012 Integrated Transmission Plan (2012 ITP10) Projects
 - Woodward-Tatonga-Mathewson-Cimarron 345kV transmission line, scheduled for 2021 in-service³
 - Chisholm – Gracemont 345kV transmission line, and Chisholm 345/230kV transformer circuit #1, scheduled for 3/1/2018 in-service⁴
- 2015 Integrated Transmission Plan Near Term (2015 ITPNT) Projects

³ SPP Notification to Construct (NTC) 200223

⁴ SPP Notification to Construct (NTC) 200240 and 200255

- China Draw 115kV Reactive Power Support
 - 200Mvar Capacitive and 50Mvar Inductive Static Var Compensator (SVC)
- Road Runner 115kV Reactive Power Support
 - 200Mvar Capacitive and 50Mvar Inductive Static Var Compensator (SVC)
- Agave Hill 115kV reactive Power Support
 - 28.8Mvar Capacitor Bank(s)
- Potash Junction – Intrepid – IMC #1 – Livingston Ridge 115kV rebuild
 - National Enrichment Plant – Targa – Cardinal 115kV circuit #1 rebuild
- Nebraska City – Mullin Creek – Sibley 345kV circuit #1 build, scheduled for 12/31/2016 in-service⁵
- Northwest 345/138/13.8 kV circuit #3 autotransformer, scheduled for 6/1/2015 in-service⁶
- Hoskins – Neligh East 345/115 kV Project⁷
 - Neligh East 345/115 kV substation and transformer
 - Neligh East Area 115 kV upgrades to support new station
 - Hoskins – Neligh East 345 kV circuit #1
- High Priority Incremental Loads (HPILs) Projects⁸:
 - TUCO Interchange – Yoakum – Hobbs Interchange 345/230 kV Project
 - TUCO Interchange – Yoakum – Hobbs Interchange 345 kV circuit #1 and associated terminal equipment upgrades
 - Hobbs 345/230/13 kV transformer circuit #1
 - Yoakum 345/230/13 kV transformer circuit #1
 - Battle Axe – Road Runner 115 kV circuit #1
 - Chaves County – Price – CV Pines – Capitan 115 kV circuit #1
 - China Draw – Yeso Hills 115 kV circuit #1
 - Dollarhide – Toboso Flats 115 kV circuit #1
 - Hobbs Interchange – Kiowa 345 kV circuit #1
 - Kiowa – North Loving – China Draw 345/115 kV Projects
 - Kiowa – North Loving – China Draw circuit #1 and associated terminal equipment upgrades
 - China Draw 345/115/13 kV transformer circuit #1
 - North Loving 345/115/13 kV transformer circuit #1
 - Kiowa – Road Runner 345/230/115 kV Projects
 - Kiowa 345/230 kV transformer circuit #1
 - Road Runner 345/115/13 kV transformer circuit #1
 - Livingston Ridge – Sage Brush – Lagarto – Cardinal 115 kV circuit #1
 - North Loving – South Loving 115 kV circuit #1
 - Ponderosa – Ponderosa Tap 115 kV circuit #1
 - Potash 230/115/13kV Transformer circuit #1 replacement

⁵ SPP Notification to Construct (NTC) 20097 and 20098

⁶ SPP Transmission Service Project identified in SPP 2009-AG2-AFS6. Per SPP NTC 20137 & 200194

⁷ SPP Regional Reliability 2012 ITP 10 Project Per SPP-NTC-200220

⁸ Per Network Upgrades assigned in High Priority Incremental Loads (HPILs) study, Including Direct Assigned Upgrades, Projects in SPP-NTC-200256 and SPP-NTC-200283.

Contingent Upgrades

The following facilities do not yet have approval. These facilities have been assigned to higher queued interconnection customers. These facilities have been included in the models for the FCS-2015-003 study and are assumed to be in service. This list may not be all inclusive. The FCS-2015-003 Customers at this time do not have responsibility for these facilities but may later be assigned the cost of these facilities if higher queued customers terminate their GIA or withdraw from the interconnection queue. The FCS-2015-003 Customer Generation Facilities in service dates may need to be delayed until the completion of the following upgrades.

- Upgrades assigned to DISIS-2010-002 Interconnection Customers:
 - Twin Church – Dixon County 230 kV circuit #1 rerate (320 MVA)
 - Buckner – Spearville 345 kV terminal equipment
- Upgrades assigned to DISIS-2011-001 Interconnection Customers:
 - Hoskins – Dixon County – Twin Church 230 kV circuit #1 conductor clearance increase
 - (NRIS only) Woodward – FPL Switch – Mooreland 138 kV circuit #1 rebuild
- Upgrades assigned to DISIS-2011-002 Interconnection Customers:
 - None at this time
- Upgrades assigned to DISIS-2012-001 Interconnection Customers:
 - None at this time
- Upgrades assigned to DISIS-2012-002 Interconnection Customers:
 - Associated Electric Cooperatives Inc. (AECI) Fairfax 138/69 kV transformer replacement
 - Lake Creek – Lone Wolf 69 kV circuit #1 reset CT
 - Remington – Fairfax 138 kV circuit #1 conductor clearance increase
 - (NRIS only) Arkansas City – Paris –Creswell – Oak – Rainbow – City of Winfield 69kV circuit #1 rebuild
 - (NRIS only) Creswell 138/69/13kV Transformer circuit #1 and #2, replacements
- Upgrades assigned to DISIS-2013-001 Interconnection Customers:
 - None at this time
- Upgrades assigned to DISIS-2013-002 Interconnection Customers:
 - Battle Creek – County Line – Neligh East 115kV circuit #1 rebuild
- Upgrades assigned to DISIS-2014-001 Interconnection Customers:
 - None at this time
- Upgrades assigned to DISIS-2014-002 Interconnection Customers:
 - Arnold – Ransom 115kV circuit #1, terminal equipment replacement
 - Beaver County 345kV Reactive Power Support, build approximately 75Mvars of capacitive reactive power support
 - Carlisle 230/115/13kV Transformer circuit #1 replacement
 - Harper Milan Tap – Clearwater 138kV rebuild
 - Knoll – Post Rock 230kV circuit #1 rebuild
 - Norton – Pleasant Hill 230kV circuit #1 rebuild for voltage conversion
 - Oklaunion 345kV Reactive Power Support, build approximately 110Mvars of Capacitor Bank(s) and +/- 50Mvar Static Var Compensator (SVC)
 - Pleasant Hill 345/230/13kV transformer circuit #1 build
 - Potter County Interchange 345/230/13kV transformer circuit #2 build
 - Tolk – Plant X 230kV circuit #3 build
 - TUCO 2 Substation 345/230kV

- Build new 345/230kV substation along TUCO – Border 345kV and TUCO – Swisher 230kV. Tie in and Terminate TUCO 345kV, Border 345kV, TUCO 230kV, and Swisher 230kV at TUCO 2.
 - Build 345/230/13kV transformer
 - TUCO 2 – TUCO Interchange 230kV circuit #1 replace terminal equipment
- Upgrades assigned to DISIS 2015-001 Interconnection Customers
 - Albion – Petersburg – North Petersburg 115kV circuit #1 rebuild
 - Battle Creek – Norfolk 115kV circuit #1 rebuild
 - Beaver County – Grapevine – Chisholm 345kV circuit #1 build
 - Benton – Wichita 345kV circuit #1 terminal equipment upgrade
 - Bloomfield – Gavins Point 115kV rebuild
 - Border 345kV Reactive Power Support
 - 200Mvar Capacitive Static VAR Compensator (SVC)
 - 200Mvar Capacitor Bank(s)
 - Chisholm Substation Expansion
 - Rerouting and terminate Border – Woodward 345kV into Chisholm 345kV
 - Chisholm – Elk City 230kV circuit #2 rebuild
 - Crooked Creek – Cudahy – Kismet 115kV circuit #1 rebuild
 - Elk City 230/138/13kV transformer circuit #1 substation upgrades
 - GEN-2014-059 Tap – Ogallala 230kV circuit #1 terminal equipment upgrade
 - GEN-2014-074 Tap 345kV Reactive Power Support
 - 30 Mvar Inductive Static VAR Compensator (SVC)
 - Gerald Gentleman Station Flowgate Mitigation
 - Greenburg – Shooting Star 115kV circuit #1 rebuild
 - Kress Interchange – Swisher 115kV circuit #1 terminal equipment upgrade
 - Lawton East Side (LES) – GEN-2014-057 Tap – Sunnyside 345kV circuit #1 terminal equipment upgrade
 - Meadow Grove – North Petersburg 115kV circuit #1 build
 - Meadow Grove 230/115/13kV transformer circuit #1 build
 - Ochoa – Ponderosa Tap 115kV circuit #1 build
 - Oklaunion 345kV Reactive Power Support Incremental Upgrade
 - Add 100Mvars of capacitance to the DISIS-2014-002 Oklaunion SVC
 - Tolk – Pleasant Hill – Potter – Grapevine 345kV circuit #1 build
 - TUCO 2 – Border – Chisholm 345kV circuit #2 build
 - TUCO 2 – Yoakum 345kV re-termination
 - Incremental upgrade for SPP-NTC-200283 upgrade Hobbs – Yoakum – TUCO 345kV to re-terminate from TUCO to TUCO 2
 - Viola 345/138/13kV transformer circuit #2 build
 - (NRIS only) Bushland Interchange 230/115/13.2kV transformer circuit #1 replacement
 - (NRIS only) Carlsbad Interchange – Pecos Interchange 115kV circuit #1 terminal equipment upgrade
 - (NRIS only) Cunningham – Maddox 115kV circuit #1 rebuild

Potential Upgrades Not in the Base Case

Any potential upgrades that do not have a Notification to Construct (NTC) have not been included in the base case. These upgrades include any identified in the SPP Extra-High Voltage (EHV) overlay plan, or any other SPP planning study other than the upgrades listed above in the previous section.

Regional Groupings

The interconnection requests listed in Appendix A were grouped together in two regional groups based on geographical and electrical impacts. These groupings are shown in Appendix C.

For each group, the various wind generating plants were modeled at 100% nameplate of maximum generation while the wind generating plants in the other areas were modeled at 20% nameplate of maximum generation. These projects were dispatched as Energy Resources with a load factor by area distribution across the SPP footprint. Certain projects that requested Network Resource Interconnection Service were dispatched as an additional analysis into the balancing authority of the interconnecting transmission owner. This method allowed for the identification of network constraints that were common to the regional groupings that could then in turn have the mitigating upgrade cost allocated throughout the entire cluster. Other sensitivity analyses are also performed with all interconnection requests in each group being dispatched at 100% nameplate.

Peaking units were not dispatched in the 2015 spring model. To study peaking units' impacts, the 2015 summer and 2020 summer and winter, and 2025 summer seasonal models were chosen and peaking units were modeled at 100% of the nameplate rating and wind generating facilities were modeled at 10% of the nameplate rating. Each interconnection request was also modeled separately at 100% nameplate for certain analyses.

Identification of Network Constraints

The initial set of network constraints were found by using PSS® MUST First Contingency Incremental Transfer Capability (FCITC) analysis on the entire cluster grouping dispatched at the various levels mentioned above. The Energy Resource Interconnection Service (ERIS) constraints were then screened to determine which of the generation interconnection requests had at least a 20% Distribution Factor (DF) upon outage based constraints (n-1) and 3% DF upon system intact constraints (n-0). Interconnection Requests that have requested Network Resource Interconnection Service (NRIS) were studied in the NRIS analysis to determine if any constraint measured at least a 3% DF. If so, these constraints were also considered for mitigation under NRIS.

Other network constraints which do not require transmission reinforcements are shown in Appendix H. With a defined source and sink in a Transmission Service Request, this list of network constraints can be refined and expanded to account for all Network Upgrade requirements for firm transmission service.

In no way does the list of constraints in Appendix G identify all potential constraints that guarantee operation for all periods of time. It should be noted that although this study analyzed many of the most probable contingencies, it is not an all-inclusive list and cannot account for every operational situation. Because of this, it is likely that the Customer(s) may be required to reduce their generation

output to 0 MW, also known as curtailment, under certain system conditions to allow system operators to maintain the reliability of the transmission network.

Identification of Electrically Isolated Groups and Requests

From the FCITC analysis, it may be determined that some of the regional groups had no common impacts with the other groups. However, this determination may change as the Interconnection Customers depending upon the time at which the interconnection customers enter either the Preliminary Interconnection System Impact Study (PISIS) or the Definitive Interconnection System Impact Study (DISIS).

Determination of Cost Allocated Network Upgrades

Cost Allocated Network Upgrades of wind generation interconnection requests were determined using the 2015 spring model. Cost Allocated Network Upgrades of peaking units was determined using the 2020 summer peak model. A PSSE® MUST sensitivity analysis was performed to determine the Distribution Factors (DF), a distribution factor with no contingency that each generation interconnection request had on each new upgrade. The impact each generation interconnection request had on each upgrade project was weighted by the size of each request. Finally the costs due by each request for a particular project were then determined by allocating the portion of each request's impact over the impact of all affecting requests.

For example, assume that there are three Generator Interconnection requests, X, Y, and Z that are responsible for the costs of Upgrade Project '1'. Given that their respective DF for the project have been determined, the cost allocation for Generator Interconnection request 'X' for Upgrade Project 1 is found by the following set of steps and formulas:

- Determine an Impact Factor on a given project for all responsible GI requests:

$$\text{Request X Impact Factor on Upgrade Project 1} = \text{DF}(\%)(\text{X}) * \text{MW}(\text{X}) = \text{X1}$$

$$\text{Request Y Impact Factor on Upgrade Project 1} = \text{DF}(\%)(\text{Y}) * \text{MW}(\text{Y}) = \text{Y1}$$

$$\text{Request Z Impact Factor on Upgrade Project 1} = \text{DF}(\%)(\text{Z}) * \text{MW}(\text{Z}) = \text{Z1}$$

- Determine each request's Allocation of Cost for that particular project:

$$\text{Request X's Project 1 Cost Allocation (\$)} = \frac{\text{Network Upgrade Project 1 Cost(\$)} * \text{X1}}{\text{X1} + \text{Y1} + \text{Z1}}$$

- Repeat previous for each responsible GI request for each Project

The cost allocation of each needed Network Upgrade is determined by the size of each request and its impact on the given project. This allows for the most efficient and reasonable mechanism for sharing the costs of upgrades.

Credits for Amounts Advanced for Network Upgrades

Interconnection Customer shall be entitled either to credits or potentially Long Term Congestion Rights (LTCR) in accordance with Attachment Z2 of the SPP Tariff for any Network Upgrades including any tax gross-up or any other tax-related payments associated with the Network Upgrades, and not refunded to the Interconnection Customer.

Interconnection and Network Upgrade Facilities

The generator interconnection customers requested interconnection within the transmission system of Southwestern Public Service (SPS). The requirement to interconnect the 600 MW of generation into the existing and proposed transmission systems in the affected areas of the SPP transmission footprint consist of the necessary cost allocated shared facilities listed in Appendices E and F. The total estimated minimum cost for interconnecting the studied generation interconnection request is \$21,000,000 for (POI) assumption analysis #1. The total estimated minimum cost for interconnecting the studied generation interconnection request is \$65,467,500 for (POI) assumption analysis #2. The total estimated minimum cost for interconnecting the studied generation interconnection request is \$22,000,000 for (POI) assumption analysis #3. The total estimated minimum cost for interconnecting the studied generation interconnection request is \$51,467,500 for (POI) assumption analysis #4. Appendices E and F also include Interconnection Facilities specific to each generation interconnection request. GEN-2015-031 and GEN-2015-032 requested additional analyses for alternate Points of Interconnection (POIs). The one-line diagrams in Appendix D should be consulted for details of the alternate POIs. Separate cost allocations are included in this report for the alternate Points of Interconnection.

For an explanation of how required Network Upgrades and Interconnection Facilities were determined, refer to the section on “Identification of Network Constraints” above.

A preliminary one-line drawing for each generation interconnection request are listed in Appendix D.

Power Flow Analysis

Power Flow Analysis Methodology

The FCITC function of PSS® MUST was used to simulate single element and special (i.e., breaker-to-breaker, multi-element, etc.) contingencies in portions or all of the modeled control areas of SPP, as well as, other control areas external to SPP and the resulting scenarios analyzed. This satisfies the “more probable” contingency testing criteria mandated by NERC and the SPP criteria.

Power Flow Analysis

A power flow analysis was conducted for each Interconnection Customer's facility using modified versions of the 2015 (spring and summer) peak, the 2020 (summer and winter) peak and 2025 summer peak models. The output of the Interconnection Customer's facility was offset in each model by a reduction in output of existing online SPP generation. This method allows the request to be studied as an Energy Resource (ER) Interconnection Request. Certain requests that requested Network Resource Interconnection Service (NRIS) had an additional analysis conducted for displacing resources in the interconnecting Transmission Owner's balancing authority.

This analysis was conducted assuming that previous queued requests in the immediate area of these interconnect requests were in-service. The analysis of the each Customer's project indicates that criteria violations will occur on the SPS transmission system under steady state and contingency conditions in the peak seasons.

The need for reactive compensation will be determined during the Interconnection System Impact Study. The need for reactive compensation will be based on the Interconnection Customer's choice of wind turbine make and manufacturer. Dynamic Stability studies performed as part of the System Impact Cluster Study will provide additional guidance as to whether the reactive compensation can be static or a portion must be dynamic (such as a SVC or STATCOM). It is possible that an SVC or STATCOM device will be required at the Customer facility because of FERC Order 661A Low Voltage Ride-Through Provisions (LVRT) which went into effect January 1, 2006. FERC Order 661A orders that wind farms stay on-line for 3-phase faults at the point of interconnection even if that requires the installation of a SVC or STATCOM device.

Cluster Group 6 (South Texas Panhandle/New Mexico)

In addition to the 5,606.5 MW of previously queued generation in the area, 600.0 MW of new interconnection service was studied. The Interconnection Requests in Group 6 of this Feasibility Study have lower queue priority than the Interconnection Requests in Group 6 of the DISIS-2014-002 and DISIS-2015-0012 study completed on August 28, 2015. At the time of the posting of this Feasibility Study, the Interconnection Request(s) in Group 6 of DISIS-2014-002 and DISIS-2015-001 will require the following Network Upgrades to receive Interconnection Service.

- Upgrades assigned to DISIS-2014-002 Interconnection Customers:
 - Arnold – Ransom 115kV circuit #1, terminal equipment replacement
 - Beaver County 345kV Reactive Power Support, build approximately 75Mvars of capacitive reactive power support
 - Carlisle 230/115/13kV Transformer circuit #1 replacement
 - Harper Milan Tap – Clearwater 138kV rebuild
 - Knoll – Post Rock 230kV circuit #1 rebuild
 - Norton – Pleasant Hill 230kV circuit #1 rebuild for voltage conversion
 - Oklaunion 345kV Reactive Power Support, build approximately 110Mvars of Capacitor Bank(s) and +/- 50Mvar Static Var Compensator (SVC)
 - Pleasant Hill 345/230/13kV transformer circuit #1 build
 - Potter County Interchange 345/230/13kV transformer circuit #2 build
 - Tolok – Plant X 230kV circuit #3 build
 - TUCO 2 Substation 345/230kV

- Build new 345/230kV substation along TUCO – Border 345kV and TUCO – Swisher 230kV. Tie in and Terminate TUCO 345kV, Border 345kV, TUCO 230kV, and Swisher 230kV at TUCO 2.
 - Build 345/230/13kV transformer
 - TUCO 2 – TUCO Interchange 230kV circuit #1 replace terminal equipment
- Upgrades assigned to DISIS 2015-001 Interconnection Customers
 - Albion – Petersburg – North Petersburg 115kV circuit #1 rebuild
 - Battle Creek – Norfolk 115kV circuit #1 rebuild
 - Beaver County – Grapevine – Chisholm 345kV circuit #1 build
 - Benton – Wichita 345kV circuit #1 terminal equipment upgrade
 - Bloomfield – Gavins Point 115kV rebuild
 - Border 345kV Reactive Power Support
 - 200Mvar Capacitive Static VAR Compensator (SVC)
 - 200Mvar Capacitor Bank(s)
 - Chisholm Substation Expansion
 - Rerouting and terminate Border – Woodward 345kV into Chisholm 345kV
 - Chisholm – Elk City 230kV circuit #2 rebuild
 - Crooked Creek – Cudahy – Kismet 115kV circuit #1 rebuild
 - Elk City 230/138/13kV transformer circuit #1 substation upgrades
 - GEN-2014-059 Tap – Ogallala 230kV circuit #1 terminal equipment upgrade
 - GEN-2014-074 Tap 345kV Reactive Power Support
 - 30 Mvar Inductive Static VAR Compensator (SVC)
 - Gerald Gentleman Station Flowgate Mitigation
 - Greenburg – Shooting Star 115kV circuit #1 rebuild
 - Kress Interchange – Swisher 115kV circuit #1 terminal equipment upgrade
 - Lawton East Side (LES) – GEN-2014-057 Tap – Sunnyside 345kV circuit #1 terminal equipment upgrade
 - Meadow Grove – North Petersburg 115kV circuit #1 build
 - Meadow Grove 230/115/13kV transformer circuit #1 build
 - Ochoa – Ponderosa Tap 115kV circuit #1 build
 - Oklaunion 345kV Reactive Power Support Incremental Upgrade
 - Add 100Mvars of capacitance to the DISIS-2014-002 Oklaunion SVC
 - Tolk – Pleasant Hill – Potter – Grapevine 345kV circuit #1 build
 - TUCO 2 – Border – Chisholm 345kV circuit #2 build
 - TUCO 2 – Yoakum 345kV re-termination
 - Incremental upgrade for SPP-NTC-200283 upgrade Hobbs – Yoakum – TUCO 345kV to re-terminate from TUCO to TUCO 2
 - Viola 345/138/13kV transformer circuit #2 build
 - (NRIS only) Bushland Interchange 230/115/13.2kV transformer circuit #1 replacement
 - (NRIS only) Carlsbad Interchange – Pecos Interchange 115kV circuit #1 terminal equipment upgrade
 - (NRIS only) Cunningham – Maddox 115kV circuit #1 rebuild

Any change in the status of Interconnection Requests in DISIS-2014-002 and DISIS-2015-001 (or any other higher queued DISIS study) may cause the cost of the above Network Upgrades to become the cost responsibility of the Feasibility Cluster Study 2015-001 customers. The related overloads are in Appendix H.

The powerflow results listed below were obtained by analyzing the powerflow models with the 600MW of Feasibility Study Interconnection Requests in service in addition to all 5,460.29 MW of DISIS-2015-001 Interconnection Requests and the above Network Upgrades in service. These constraints are incremental to the 600MW of generation analyzed in this study.

Both GEN-2015-031 and GEN-2015-032 requested alternate Points of Interconnection, resulting in four separate analyses for the Group 6 analysis. The four analyses are described below.

Analysis 1: GEN-2015-031 at Swisher 115kV/GEN-2015-032 at Newhart 230kV: Constraints were observed for the Kress-Swisher 115kV line and for the Swisher 230/115kV autotransformer as well as the Cimarron-Minco 345kV line. The mitigation for the Kress-Swisher 115kV overload and the Swisher transformer overload is to convert the Kress-Swisher line to 230kV operation and add a 2nd 230/115kV transformer at Swisher. To alleviate overloads on both of the transformers at Swisher, a 345/115kV transformer is required with a 345kV line to the proposed Tuco 2 substation. Finally, terminal equipment will need to be replaced on the Cimarron-Minco 345kV line.

Table 1: GEN-2015-031 POI: Swisher 115kV and GEN-2015-032 POI: Newhart 230kV

ERIS and NRIS Constraints			
MONITORED ELEMENT	RATE B (MVA)	TC% LOADING (%)	CONTINGENCY
CIMARRON - MINCO 345KV CKT 1	953.6	110.0281	G14-057T 345.00 - SUNNYSIDE 345KV CKT 1
EDDY_NORTH 6230.00 (WAUK WT01134) 230/115/13.2KV TRANSFORMER CKT 2	285.3	103.5608	EDDY COUNTY INTERCHANGE - EDDY_NORTH 6230.00 230KV CKT @1
KRESS INTERCHANGE - SWISHER COUNTY INTERCHANGE 115KV CKT 1	232.4	176.463	SWISHER COUNTY INTERCHANGE (UPDATE LATER) 230/115/13.2KV TRANSFORMER CKT 1
SWISHER COUNTY INTERCHANGE (GE M101686) 230/115/13.2KV TRANSFORMER CKT 1	145.8	281.5501	KRESS INTERCHANGE - SWISHER COUNTY INTERCHANGE 115KV CKT 1

Analysis 2: GEN-2015-031 at Swisher 115kV/GEN-2015-032 at Tulia 115kV: Constraints were observed for the Kress-Swisher 115kV line and for the Swisher 230/115kV autotransformer as well as the Cimarron-Minco 345kV line. Also, overloads were observed along the Kress – Tulia – Happy – Palo Duro – Randall 115kV line as well as the Cimarron – Minco 345kV line. The mitigation for the Kress-Swisher 115kV overload and the Swisher transformer overload is to reconductor the Kress-Swisher 115kV line and to add a 2nd 230/115kV auto at Swisher. The mitigation for the Kress-Randall 115kV overloads is to add a 2nd circuit for the entire corridor. Finally, terminal equipment will need to be replaced on the Cimarron-Minco 345kV line.

Table 2: GEN-2015-031 POI: Swisher 115kV and GEN-2015-032 POI: Tulia 115kV

ERIS and NRIS Constraints			
MONITORED ELEMENT	RATE B (MVA)	TC% LOADING (%)	CONTINGENCY
SWISHER COUNTY INTERCHANGE (GE M101686) 230/115/13.2KV TRANSFORMER CKT 1	145.8	281.5501	KRESS INTERCHANGE - SWISHER COUNTY INTERCHANGE 115KV CKT 1
SWISHER COUNTY INTERCHANGE (UPDATE LATER) 230/115/13.2KV TRANSFORMER CKT 1	236.6	173.246	KRESS INTERCHANGE - SWISHER COUNTY INTERCHANGE 115KV CKT 1
KRESS INTERCHANGE - SWISHER COUNTY INTERCHANGE 115KV CKT 1	232.4	176.463	SWISHER COUNTY INTERCHANGE (UPDATE LATER) 230/115/13.2KV TRANSFORMER CKT 1

HAPPY INTERCHANGE - TULIA TAP 115KV CKT 1	250.9	117.776	KRESS INTERCHANGE - TULIA TAP 115KV CKT 1
KRESS INTERCHANGE - TULIA TAP 115KV CKT 1	250.9	117.776	HAPPY INTERCHANGE - TULIA TAP 115KV CKT 1
CIMARRON - MINCO 345KV CKT 1	955.9	110.64	G14-057T 345.00 - SUNNYSIDE 345KV CKT 1
HAPPY INTERCHANGE - PALO DURO SUB 115KV CKT 1	250.9	107.6923	KRESS INTERCHANGE - TULIA TAP 115KV CKT 1
PALO DURO SUB - RANDALL COUNTY INTERCHANGE 115KV CKT 1	250.9	107.0945	KRESS INTERCHANGE - TULIA TAP 115KV CKT 1
HALE CO INTERCHANGE - KRESS INTERCHANGE 115KV CKT 1	153.9	107.0488	SWISHER COUNTY INTERCHANGE (GE M101686) 230/115/13.2KV TRANSFORMER CKT 1
EDDY_NORTH 6230.00 (WAUK WT01134) 230/115/13.2KV TRANSFORMER CKT 2	285.3	103.7375	EDDY COUNTY INTERCHANGE - EDDY_NORTH 6230.00 230KV CKT @1
MANHATTAN TAP - RANDALL COUNTY INTERCHANGE 115KV CKT 1	159.5	101.7154	OSAGE SWITCHING STATION - RANDALL COUNTY INTERCHANGE 115KV CKT 1
OSAGE SWITCHING STATION - RANDALL COUNTY INTERCHANGE 115KV CKT 1	159.6	100.4411	MANHATTAN TAP - RANDALL COUNTY INTERCHANGE 115KV CKT 1
KRESS INTERCHANGE - NEWHART 115KV CKT 1	174.7	107.1265	SWISHER COUNTY INTERCHANGE (GE M101686) 230/115/13.2KV TRANSFORMER CKT 1

Analysis 3: GEN-2015-031 at Swisher 230kV/GEN-2015-032 at Newhart 230kV: Constraints were observed for Cimarron – Minco 345kV line. Terminal equipment will need to be replaced. In addition, the proposed Tuco 2 345/230kV transformer was overloaded. A second 345/230kV transformer will need to be added at Tuco 2.

Table 3: GEN-2015-031 POI: Swisher 230kV and GEN-2015-032 POI: Newhart 230kV

ERIS and NRIS Constraints			
MONITORED ELEMENT	RATE B (MVA)	TC% LOADING (%)	CONTINGENCY
CIMARRON - MINCO 345KV CKT 1	955.9	110.6689	G14-057T 345.00 - SUNNYSIDE 345KV CKT 1
EDDY_NORTH 6230.00 (WAUK WT01134) 230/115/13.2KV TRANSFORMER CKT 2	285.3	103.4483	EDDY COUNTY INTERCHANGE - EDDY_NORTH 6230.00 230KV CKT @1
TUCO_2 345.00 (TUCO_2 XFMR) 345/230/13.2KV TRANSFORMER CKT 1	559.5	112.1895	TUCO INTERCHANGE - TUCO_2 345.00 345KV CKT 1

Analysis 4: GEN-2015-031 at Swisher 230kV/GEN-2015-032 at Tulia 115kV: Constraints were observed for Cimarron – Minco 345kV line. Terminal equipment will need to be replaced. Also, overloads were observed along the Kress – Tulia – Happy – Palo Duro – Randall 115kV line. The mitigation for the Kress-Randall 115kV overloads is to add a 2nd circuit for the entire corridor.

Table 4: GEN-2015-031 POI: Swisher 230kV and GEN-2015-032 POI: Tulia 115kV

ERIS and NRIS Constraints			
MONITORED ELEMENT	RATE B (MVA)	TC% LOADING (%)	CONTINGENCY
CIMARRON - MINCO 345KV CKT 1	953.6	110.025	G14-057T 345.00 - SUNNYSIDE 345KV CKT 1
EDDY_NORTH 6230.00 (WAUK WT01134) 230/115/13.2KV TRANSFORMER CKT 2	285.3	103.4483	EDDY COUNTY INTERCHANGE - EDDY_NORTH 6230.00 230KV CKT @1
HAPPY INTERCHANGE - PALO DURO SUB 115KV CKT 1	250.9	107.6923	KRESS INTERCHANGE - TULIA TAP 115KV CKT 1
HAPPY INTERCHANGE - TULIA TAP 115KV CKT 1	250.9	117.776	KRESS INTERCHANGE - TULIA TAP 115KV CKT 1
KRESS INTERCHANGE - TULIA TAP 115KV CKT 1	250.9	117.776	HAPPY INTERCHANGE - TULIA TAP 115KV CKT 1
PALO DURO SUB - RANDALL COUNTY INTERCHANGE 115KV CKT 1	250.9	107.0945	KRESS INTERCHANGE - TULIA TAP 115KV CKT 1
SWISHER COUNTY INTERCHANGE (GE M101686) 230/115/13.2KV TRANSFORMER CKT 1	146.9	102.7638	HAPPY INTERCHANGE - TULIA TAP 115KV CKT 1
MANHATTAN TAP - RANDALL COUNTY INTERCHANGE 115KV	159.5	101.7154	OSAGE SWITCHING STATION - RANDALL COUNTY

CKT 1			INTERCHANGE 115KV CKT 1
OSAGE SWITCHING STATION - RANDALL COUNTY INTERCHANGE 115KV CKT 1	159.6	100.4411	MANHATTAN TAP - RANDALL COUNTY INTERCHANGE 115KV CKT 1

Curtailement and System Reliability

In no way does this study guarantee operation for all periods of time. It should be noted that although this study analyzed many of the most probable contingencies, it is not an all-inclusive list and cannot account for every operational situation. Because of this, it is likely that the Customer(s) may be required to reduce their generation output to 0 MW, also known as curtailment, under certain system conditions to allow system operators to maintain the reliability of the transmission network.

Conclusion

The minimum cost of interconnecting 600 MW of new interconnection requests included in this Feasibility Cluster Study are listed in Appendices E and F, which include the Allocated Network Upgrades and Transmission Owner Interconnection Facilities. GEN-2015-031 and GEN-2015-032 requested additional analysis for alternate Points of Interconnection (POIs). Four (4) Point of Interconnection (POI) analyses were conducted for all the possible configurations. The constraints identified for each of these configurations can be found in Appendix G and H.

If the Interconnection Customers proceed into the Preliminary Interconnection System Impact Study (PISIS) or Definitive Interconnection System Impact Study (DISIS), the Interconnection Customer can propose only one Point of Interconnection (POI). The total estimated minimum cost for interconnecting the studied generation interconnection request is \$21,000,000 for (POI) assumption analysis #1. The total estimated minimum cost for interconnecting the studied generation interconnection request is \$65,467,500 for (POI) assumption analysis #2. The total estimated minimum cost for interconnecting the studied generation interconnection request is \$22,000,000 for (POI) assumption analysis #3. The total estimated minimum cost for interconnecting the studied generation interconnection request is \$51,467,500 for (POI) assumption analysis #4.

The one-line diagrams in Appendix D should be consulted for details of the alternate POIs. Separate cost allocations are included in this report for the alternate Points of Interconnection. These costs include the cost of upgrades of other transmission facilities listed in Appendix H which are Network Constraints.

These interconnection costs do not include any cost of Network Upgrades determined to be required by AC power flow analysis, short circuit or transient stability analysis. These studies will be performed if the Interconnection Customer executes the appropriate Interconnection System Impact Study Agreement and provides the required data along with demonstration of Site Control and the appropriate deposit. At the time of the System Impact Cluster Study, a better determination of the interconnection facilities may be available.

The required interconnection costs listed in Appendices E and F, and other upgrades associated with Network Constraints do not include all costs associated with the deliverability of the energy to final customers. These costs are determined by separate studies if the Customer submits a Transmission Service Request (TSR) through SPP's Open Access Same Time Information System (OASIS) as required by Attachment Z1 of the SPP Open Access Transmission Tariff (OATT).

Appendix

A: Generator Interconnection Requests Considered for Study

See next page.

A: Generation Interconnection Requests Considered for Study

Request	Amount	Service	Area	Requested Point of Interconnection	Proposed Point of Interconnection	Requested In-Service Date	In Service Date Delayed Until no earlier than*
GEN-2015-031	300.00	ER/NR	SPS	Swisher 115kV/Swisher 230kV	Swisher 115kV/Swisher 230kV		TBD
GEN-2015-032	300.00	ER/NR	SPS	Tulia 115kV/Newhart 230kV	Tulia 115kV/Newhart 230kV		TBD
Total:		600.00					

*In-Service Date for each request is to be determined after the Interconnection Facility Study is completed.

B: Prior Queued Interconnection Requests

See next page.

B: Prior Queued Interconnection Requests

Request	Amount	Area	Requested/Proposed Point of Interconnection	Status or In-Service Date
ASGI-2010-006	150.00	AECI	Tap Fairfax (AECI) - Shilder (AEPW) 138kV	AECI queue Affected Study
ASGI-2010-010	42.20	SPS	Lovington 115kV	Lea County Affected Study
ASGI-2010-020	30.00	SPS	Tap LE-Tatum - LE-Crossroads 69kV	Lea County Affected Study
ASGI-2010-021	15.00	SPS	Tap LE-Saunders Tap - LE-Anderson 69kV	Lea County Affected Study
ASGI-2011-001	27.30	SPS	Lovington 115kV	On-Line
ASGI-2011-002	20.00	SPS	Herring 115kV	On-Line
ASGI-2011-003	10.00	SPS	Hendricks 115kV	On-Line
ASGI-2011-004	20.00	SPS	Pleasant Hill 69kV	Under Study (DISIS-2011-002)
ASGI-2012-002	18.15	SPS	FE-Clovis Interchange 115kV	Under Study (DISIS-2012-002)
ASGI-2012-006	22.50	SUNCMKEC	Tap Hugoton - Rolla 69kV	Under Study (DISIS-2012-001)
ASGI-2013-001	11.50	SPS	PanTex South 115kV	Under Study (DISIS-2013-001)
ASGI-2013-002	18.40	SPS	FE Tucumcari 115kV	Under Study (DISIS-2013-001)
ASGI-2013-003	18.40	SPS	FE Clovis 115kV	Under Study (DISIS-2013-001)
ASGI-2013-004	36.60	SUNCMKEC	Morris 115kV	Under Study (DISIS-2013-002)
ASGI-2013-005	1.65	SPS	FE Clovis 115kV	Under Study (DISIS-2013-002)
ASGI-2013-006	2.00	SPS	SP-Erskine 115kV	
ASGI-2014-001	2.50	SPS	SP-Erskine 115kV	Under Study (DISIS-2014-001)
ASGI-2014-002	49.60	SPS	Tap Tucumcari - Santa Rosa 115kV	Under Study (DISIS-2014-001)
ASGI-2014-005	10.00	SPS	Strata 69kV	Under Study (DISIS-2014-002)
ASGI-2014-008	10.00	SPS	South Loving 69kV	Under Study (DISIS-2014-002)
ASGI-2014-009	10.00	SPS	Wood Draw 115kV	Under Study (DISIS-2014-002)
ASGI-2014-010	10.00	SPS	Ochoa 115kV	Under Study (DISIS-2014-002)
ASGI-2014-012	10.00	SPS	Cooper Ranch 115kV	Under Study (DISIS-2014-002)
ASGI-2014-014	56.40	GRDA	Ferguson 69kV	Under Study (DISIS-2014-002)
ASGI-2015-001	6.13	SUNCMKEC	Ninnescah 115kV	DISIS Stage
ASGI-2015-002	2.00	SPS	SP-Yuma 69kV	DISIS Stage
ASGI-2015-003	30.00	SPS	Tap San Jon Tap - Wheatland 115/69kV	DISIS Stage
ASGI-2015-004	56.36	GRDA	Coffeyville City 69kV	DISIS Stage
GEN-2001-014	96.00	WFEC	Ft Supply 138kV	On-Line
GEN-2001-026	74.30	WFEC	Washita 138kV	On-Line
GEN-2001-033	180.00	SPS	San Juan Tap 230kV	On-Line at 120MW
GEN-2001-036	80.00	SPS	Norton 115kV	On-Line
GEN-2001-037	100.00	OKGE	FPL Moreland Tap 138kV	On-Line
GEN-2001-039A	105.00	SUNCMKEC	Shooting Star Tap 115kV	On-Line
GEN-2001-039M	100.00	SUNCMKEC	Central Plains Tap 115kV	On-Line
GEN-2002-004	200.00	WERE	Latham 345kV	On-Line at 150MW
GEN-2002-005	120.00	WFEC	Red Hills Tap 138kV	On-Line
GEN-2002-008	240.00	SPS	Hitchland 345kV	On-Line at 120MW
GEN-2002-009	80.00	SPS	Hansford 115kV	On-Line
GEN-2002-022	240.00	SPS	Bushland 230kV	On-Line
GEN-2002-023N	0.80	NPPD	Harmony 115kV	On-Line
GEN-2002-025A	150.00	SUNCMKEC	Spearville 230kV	On-Line
GEN-2003-004	100.00	WFEC	Washita 138kV	On-Line
GEN-2003-005	100.00	WFEC	Anadarko - Paradise (Blue Canyon) 138kV	On-Line
GEN-2003-006A	200.00	SUNCMKEC	Elm Creek 230kV	On-Line
GEN-2003-019	250.00	MIDW	Smoky Hills Tap 230kV	On-Line
GEN-2003-020	160.00	SPS	Martin 115kV	On-Line

Request	Amount	Area	Requested/Proposed Point of Interconnection	Status or In-Service Date
GEN-2003-021N	75.00	NPPD	Ainsworth Wind Tap 115kV	On-Line
GEN-2003-022	120.00	AEPW	Washita 138kV	On-Line
GEN-2004-014	154.50	SUNCMKEC	Spearville 230kV	On-Line at 100MW
GEN-2004-020	27.00	AEPW	Washita 138kV	On-Line
GEN-2004-023	20.60	WFEC	Washita 138kV	On-Line
GEN-2004-023N	75.00	NPPD	Columbus Co 115kV	On-Line
GEN-2005-003	30.60	WFEC	Washita 138kV	On-Line
GEN-2005-008	120.00	OKGE	Woodward 138kV	On-Line
GEN-2005-012	250.00	SUNCMKEC	Ironwood 345kV	On-Line at 160MW
GEN-2005-013	201.00	WERE	Caney River 345kV	On-Line
GEN-2006-002	101.00	AEPW	Sweetwater 230kV	On-Line
GEN-2006-018	170.00	SPS	TUCO Interchange 230kV	On-Line
GEN-2006-020N	42.00	NPPD	Bloomfield 115kV	On-Line
GEN-2006-020S	18.90	SPS	DWS Frisco 115kV	On-Line
GEN-2006-021	101.00	SUNCMKEC	Flat Ridge Tap 138kV	On-Line
GEN-2006-024S	19.80	WFEC	Buffalo Bear Tap 69kV	On-Line
GEN-2006-026	502.00	SPS	Hobbs 230kV & Hobbs 115kV	On-Line
GEN-2006-031	75.00	MIDW	Knoll 115kV	On-Line
GEN-2006-035	225.00	AEPW	Sweetwater 230kV	On-Line at 132MW
GEN-2006-037N1	75.00	NPPD	Broken Bow 115kV	On-Line
GEN-2006-038N005	80.00	NPPD	Broken Bow 115kV	On-Line
GEN-2006-038N019	80.00	NPPD	Petersburg North 115kV	On-Line
GEN-2006-043	99.00	AEPW	Sweetwater 230kV	On-Line
GEN-2006-044	370.00	SPS	Hitchland 345kV	On-Line at 120MW
GEN-2006-044N	40.50	NPPD	North Petersburg 115kV	On-Line
GEN-2006-046	131.00	OKGE	Dewey 138kV	On-Line
GEN-2007-011N08	81.00	NPPD	Bloomfield 115kV	On-Line
GEN-2007-021	201.00	OKGE	Tatonga 345kV	On-Line
GEN-2007-025	300.00	WERE	Viola 345kV	On-Line
GEN-2007-040	200.00	SUNCMKEC	Buckner 345kV	On-Line at 132MW
GEN-2007-043	200.00	OKGE	Minco 345kV	On-Line
GEN-2007-044	300.00	OKGE	Tatonga 345kV	On-Line at 199MW
GEN-2007-046	200.00	SPS	Hitchland 115kV	On Schedule for 2015
GEN-2007-050	170.00	OKGE	Woodward EHV 138kV	On-Line at 150MW
GEN-2007-052	150.00	WFEC	Anadarko 138kV	On-Line
GEN-2007-062	765.00	OKGE	Woodward EHV 345kV	On Schedule for 2016 and 2017
GEN-2008-003	101.00	OKGE	Woodward EHV 138kV	On-Line
GEN-2008-013	300.00	OKGE	Hunter 345kV	On-Line at 235MW
GEN-2008-018	250.00	SPS	Finney 345kV	On-Line
GEN-2008-021	42.00	WERE	Wolf Creek 345kV	On-Line
GEN-2008-022	300.00	SPS	Tap Tolk - Eddy County (Crossroads) 345kV	On Schedule for 2015
GEN-2008-023	150.00	AEPW	Hobart Junction 138kV	On-Line
GEN-2008-037	101.00	WFEC	Tap Washita - Blue Canyon Wind 138kV	On-Line
GEN-2008-044	197.80	OKGE	Tatonga 345kV	On-Line
GEN-2008-047	300.00	OKGE	Beaver County 345kV	On-Line
GEN-2008-051	322.00	SPS	Potter County 345kV	On-Line at 161MW
GEN-2008-079	99.20	SUNCMKEC	Crooked Creek 115kV	On-Line
GEN-2008-086N02	201.00	NPPD	Meadow Grove 230kV	On-Line
GEN-2008-092	201.00	MIDW	Post Rock 230kV	On Schedule for 2015
GEN-2008-098	100.80	WERE	Waverly 345kV	On Schedule for 2015

Request	Amount	Area	Requested/Proposed Point of Interconnection	Status or In-Service Date
GEN-2008-1190	60.00	OPPD	S1399 161kV	On-Line
GEN-2008-123N	89.70	NPPD	Tap Pauline - Hildreth (Rosemont) 115kV	On Schedule for 2015
GEN-2008-124	200.10	SUNCMKEC	Ironwood 345kV	On Schedule for 2016
GEN-2008-129	80.00	GMO	Pleasant Hill 161kV	On-Line
GEN-2009-008	199.50	MIDW	South Hays 230kV	On Schedule for 2015
GEN-2009-020	48.30	MIDW	Tap Nekoma - Bazine (Walnut Creek) 69kV	On Schedule for 2015
GEN-2009-025	59.80	OKGE	Nardins 69kV	On-Line
GEN-2009-040	73.80	WERE	Marshall 115kV	On Schedule for 2016
GEN-2010-001	300.00	OKGE	Beaver County 345kV	On-Line at 204 MW, On Schedule for 2015 (96 MW)
GEN-2010-003	100.80	WERE	Waverly 345kV	On Schedule for 2015
GEN-2010-005	299.20	WERE	Viola 345kV	On-Line at 170MW
GEN-2010-006	205.00	SPS	Jones 230kV	On-Line
GEN-2010-009	165.60	SUNCMKEC	Buckner 345kV	On-Line
GEN-2010-011	29.70	OKGE	Tatonga 345kV	On-Line
GEN-2010-014	358.80	SPS	Hitchland 345kV	On Suspension
GEN-2010-036	4.60	WERE	6th Street 115kV	On-Line
GEN-2010-040	300.00	OKGE	Cimarron 345kV	On-Line
GEN-2010-041	10.50	OPPD	S1399 161kV	On Schedule for 2015
GEN-2010-045	197.80	SUNCMKEC	Buckner 345kV	On Schedule for 2017
GEN-2010-046	56.00	SPS	TUCO Interchange 230kV	On Schedule for 2016
GEN-2010-048	70.00	MIDW	Tap Beach Station - Redline 115kV	DISIS Stage
GEN-2010-051	200.00	NPPD	Tap Twin Church - Hoskins 230kV	On Suspension
GEN-2010-055	4.50	AEPW	Wekiwa 138kV	On-Line
GEN-2010-057	201.00	MIDW	Rice County 230kV	On-Line
GEN-2011-008	600.00	SUNCMKEC	Clark County 345kV	On Schedule for 2016
GEN-2011-010	100.80	OKGE	Minco 345kV	On-Line
GEN-2011-011	50.00	KCPL	Iatan 345kV	On-Line
GEN-2011-014	201.00	OKGE	Tap Hitchland - Woodward Dbl Ckt (GEN-2011-014 Tap) 345kV	On Schedule for 2016
GEN-2011-016	200.10	SUNCMKEC	Spearville 345kV	Facility Study Stage
GEN-2011-017	299.00	SUNCMKEC	Tap Spearville - Post Rock (GEN-2011-017T) 345kV	On Schedule for 2018
GEN-2011-018	73.60	NPPD	Steele City 115kV	On-Line
GEN-2011-019	299.00	OKGE	Woodward 345kV	On Suspension
GEN-2011-020	299.00	OKGE	Woodward 345kV	On Suspension
GEN-2011-022	299.00	SPS	Hitchland 345kV	On Suspension
GEN-2011-025	80.00	SPS	Tap Floyd County - Crosby County 115kV	On Schedule for 2016
GEN-2011-027	120.00	NPPD	Tap Hoskins - Twin Church 230kV	On Suspension
GEN-2011-037	7.00	WFEC	Blue Canyon 5 138kV	On-Line
GEN-2011-040	111.00	OKGE	Carter County 138kV	On-Line
GEN-2011-045	205.00	SPS	Jones 230kV	On-Line
GEN-2011-046	27.00	SPS	Lopez 115kV	On-Line
GEN-2011-048	175.00	SPS	Mustang 230kV	On-Line
GEN-2011-049	250.70	OKGE	Border 345kV	On Schedule for 2016
GEN-2011-050	109.80	AEPW	Santa Fe Tap 138kV	On Schedule for 2016
GEN-2011-051	104.40	OKGE	Tap Woodward - Tatonga 345kV (GEN-2011-051 Tap)	On Suspension
GEN-2011-054	300.00	OKGE	Cimarron 345kV	On Schedule for 2015
GEN-2011-056	3.60	NPPD	Jeffrey 115kV	On-Line
GEN-2011-056A	3.60	NPPD	John 1 115kV	On-Line
GEN-2011-056B	4.50	NPPD	John 2 115kV	On-Line

Request	Amount	Area	Requested/Proposed Point of Interconnection	Status or In-Service Date
GEN-2011-057	150.40	WERE	Creswell 138kV	On Schedule for 2015
GEN-2012-001	61.20	SPS	Cirrus Tap 230kV	On-Line
GEN-2012-004	41.40	OKGE	Carter County 138kV	On-Line
GEN-2012-007	120.00	SUNCMKEC	Rubart 115kV	On-Line
GEN-2012-009	15.00	SPS	Mustang 230kV	On-Line
GEN-2012-010	15.00	SPS	Mustang 230kV	On-Line
GEN-2012-020	478.00	SPS	TUCO 230kV	On Schedule for 2016
GEN-2012-021	4.80	LES	Terry Bundy Generating Station 115kV	On-Line
GEN-2012-024	180.00	SUNCMKEC	Clark County 345kV	On Schedule for 2016
GEN-2012-027	136.00	AEPW	Shidler 138kV	On Suspension
GEN-2012-028	74.80	WFEC	Gotebo 69kV	On Schedule for 2015
GEN-2012-032	300.00	OKGE	Open Sky 345kV	On Schedule for 2015
GEN-2012-033	98.80	OKGE	Tap and Tie South 4th - Bunch Creek & Enid Tap - Fairmont (GEN-2012-033T) 138kV	On Schedule for 2015
GEN-2012-034	7.00	SPS	Mustang 230kV	On-Line
GEN-2012-035	7.00	SPS	Mustang 230kV	On-Line
GEN-2012-036	7.00	SPS	Mustang 230kV	On-Line
GEN-2012-037	203.00	SPS	TUCO 345kV	On-Line
GEN-2012-040	76.50	WFEC	Chilocco 138kV	On Suspension
GEN-2012-041	121.50	OKGE	Ranch Road 345kV	On-Line
GEN-2013-002	50.60	LES	Tap Sheldon - Folsom & Pleasant Hill (GEN-2013-002 Tap) 115kV CKT 2	On Schedule for 2016
GEN-2013-007	100.30	OKGE	Tap Prices Falls - Carter 138kV	On Schedule for 2015
GEN-2013-008	1.20	NPPD	Steele City 115kV	On-Line
GEN-2013-010	99.00	SUNCMKEC	Tap Spearville - Post Rock (North of GEN-2011-017 Tap) 345kV	Facility Study
GEN-2013-011	30.00	AEPW	Turk 138kV	On-Line
GEN-2013-012	147.00	OKGE	Redbud 345kV	On-Line
GEN-2013-014	25.50	NPPD	Tap Guide Rock - Pauline (Rosemont) 115kV	On Suspension
GEN-2013-016	203.00	SPS	TUCO 345kV	IA Pending
GEN-2013-019	73.60	LES	Tap Sheldon - Folsom & Pleasant Hill (GEN-2013-002 Tap) 115kV CKT 2	On Schedule for 2016
GEN-2013-022	25.00	SPS	Norton 115kV	On Schedule for 2016
GEN-2013-027	150.00	SPS	Tap Tolk - Yoakum 230kV	Facility Study
GEN-2013-028	559.50	GRDA	Tap N Tulsa - GRDA 1 345kV	On Schedule for 2017
GEN-2013-029	300.00	OKGE	Renfrow 345kV	On Schedule for 2016 (150MW) and 2016 (150MW)
GEN-2013-030	300.00	OKGE	Beaver County 345kV	On Schedule for 2016 (200MW) and 2017 (100MW)
GEN-2013-032	204.00	NPPD	Antelope 115kV	On Schedule for 2017
GEN-2013-033	28.00	MIDW	Goodman Energy Center 115kV	On Schedule for 2016
GEN-2014-001	200.60	WERE	Tap Wichita - Emporia Energy Center 345kV	IA Pending
GEN-2014-002	10.50	OKGE	Tatonga 345kV (GEN-2007-021 POI)	Facility Study Stage
GEN-2014-003	15.84	OKGE	Tatonga 345kV (GEN-2007-044 POI)	Facility Study Stage
GEN-2014-004	4.00	NPPD	Steele City 115kV (GEN-2011-018 POI)	Facility Study Stage
GEN-2014-005	5.70	OKGE	Minco 345kV (GEN-2011-010 POI)	On-Line
GEN-2014-012	225.00	SPS	Tap Hobbs Interchange - Andrews 230kV	IA Pending
GEN-2014-013	73.50	NPPD	Meadow Grove (GEN-2008-086N2 Sub) 230kV	On Schedule for 2015
GEN-2014-020	100.00	AEPW	Tuttle 138kV	Facility Study
GEN-2014-021	300.00	GMO	Tap Nebraska City - Mullin Creek 345kV	Facility Study
GEN-2014-023	79.90	NPPD	Tap Fort Randall - Meadow Grove 230kV	DISIS Stage
GEN-2014-025	2.40	MIDW	Tap Nekoma - Bazine (Walnut Creek) 69kV	Facility Study

Request	Amount	Area	Requested/Proposed Point of Interconnection	Status or In-Service Date
GEN-2014-026	150.00	OKGE	Beaver County 345kV	Facility Study
GEN-2014-028	35.00	EMDE	Riverton 161kV	Facility Study
GEN-2014-031	35.80	NPPD	Meadow Grove 230kV	Facility Study
GEN-2014-032	10.20	NPPD	Meadow Grove 230kV	Facility Study
GEN-2014-033	70.00	SPS	Chaves County 115kV	Facility Study
GEN-2014-034	70.00	SPS	Chaves County 115kV	Facility Study
GEN-2014-035	30.00	SPS	Chaves County 115kV	Facility Study
GEN-2014-037	200.00	SPS	Tap Hitchland - Beaver County Dbl Ckt (Optima) 345kV	DISIS Stage
GEN-2014-038	200.00	SPS	Tap Hitchland - Potter County 345kV	DISIS Stage
GEN-2014-039	73.40	NPPD	Friend 115kV	Facility Study
GEN-2014-040	320.00	SPS	Castro 115kV	IA Pending
GEN-2014-041	123.17	SUNCMKEC	Arnold 115kV	Facility Study
GEN-2014-046	125.40	SPS	Chaves County 115kV	DISIS Stage
GEN-2014-047	40.00	SPS	Tap Tolk - Eddy County (Crossroads) 345kV	Facility Study
GEN-2014-049	200.00	SUNCMKEC	Thistle 345kV	Facility Study
GEN-2014-051	174.00	WERE	Jeffrey Energy Center 345kV	Facility Study
GEN-2014-053	80.00	SPS	Carlisle 230kV	Facility Study
GEN-2014-054	120.00	SPS	Carlisle 230kV	Facility Study
GEN-2014-056	250.00	OKGE	Minco 345kV	Facility Study
GEN-2014-057	250.00	AEPW	Tap Lawton - Sunnyside 345kV	IA Pending
GEN-2014-059	160.00	NPPD	Tap Sidney - Ogallala 230kV	DISIS Stage
GEN-2014-060	125.80	NPPD	Tap Pauline - Hildreth (Rosemont) 115kV	DISIS Stage
GEN-2014-064	248.40	OKGE	Otter 138kV	IA Pending
GEN-2014-065	99.00	SPS	Whitten 115kV	DISIS Stage
GEN-2014-066	30.00	SPS	Norton 115kV	Facility Study
GEN-2014-068	203.00	SPS	Tap Deaf Smith - Plant X 230kV	DISIS Stage
GEN-2014-074	152.00	SPS	Tap TUCO Interchange - Oklaunion 345kV	DISIS Stage
GEN-2015-001	200.00	OKGE	Ranch Road 345kV	DISIS Stage
GEN-2015-003	200.00	OKGE	Renfrow 345kV	DISIS Stage
GEN-2015-004	52.90	OKGE	Border 345kV	DISIS Stage
GEN-2015-005	200.10	GMO	Tap Nebraska City - Sibley 345kV	DISIS Stage
GEN-2015-006	150.00	OKGE	Beaver County 345kV	DISIS Stage
GEN-2015-007	160.00	NPPD	Hoskins 345kV	DISIS Stage
GEN-2015-008	150.40	NPPD	Antelope 115kV	DISIS Stage
GEN-2015-009	300.00	SPS	Hobbs 230kV	DISIS Stage
GEN-2015-010	250.70	SPS	Tap South Roosevelt - Tolk 230kV	DISIS Stage
GEN-2015-012	300.13	SUNCMKEC	Mingo 345kV	PISIS Stage
GEN-2015-013	120.00	WFEC	Snyder 138kV	DISIS Stage
GEN-2015-014	150.00	SPS	Tap Cochran - Lehman 115kV	DISIS Stage
GEN-2015-015	154.60	OKGE	Tap Medford Tap - Coyote 138kV	DISIS Stage
GEN-2015-016	200.00	KCPL	Tap Marmaton - Centerville 161kV	DISIS Stage
GEN-2015-017	172.00	SUNCMKEC	Mingo 115kV	DISIS Stage
GEN-2015-018	80.00	SPS	Tap Curry County - Bailey 115kV	DISIS Stage
GEN-2015-019	60.00	AEPW	Fitzhugh 161kV	DISIS Stage
GEN-2015-020	99.96	SPS	Oasis 115kV	DISIS Stage
GEN-2015-021	20.00	SUNCMKEC	Johnson Corner 115kV	DISIS Stage
GEN-2015-022	112.00	SPS	Swisher 115kV	DISIS Stage
GEN-2015-023	300.70	NPPD	Holt County 345kV	DISIS Stage
GEN-2015-024	220.00	WERE	Tap Thistle - Wichita 345kV Dbl CKT	DISIS Stage
GEN-2015-025	220.00	WERE	Tap Thistle - Wichita 345kV Dbl CKT	DISIS Stage

Request	Amount	Area	Requested/Proposed Point of Interconnection	Status or In-Service Date
GEN-2015-026	8.30	SUNCMKEC	Buckner 345kV	DISIS Stage
GEN-2015-027	4.94	SUNCMKEC	Crooked Creek 115kV	DISIS Stage
GEN-2015-028	3.00	OKGE	Nardins 69kV	DISIS Stage
GEN-2015-029	161.00	OKGE	Tatonga 345kV	DISIS Stage
GEN-2015-030	200.10	OKGE	Sooner 345kV	DISIS Stage
Gray County Wind (Montezuma)	110.00	SUNCMKEC	Gray County Tap 115kV	On-Line
Llano Estacado (White Deer)	80.00	SPS	Llano Wind 115kV	On-Line
NPPD Distributed (Broken Bow)	8.30	NPPD	Broken Bow 115kV	On-Line
NPPD Distributed (Buffalo County Solar)	10.00	NPPD	Kearney Northeast	On-Line
NPPD Distributed (Burt County Wind)	12.00	NPPD	Tekamah & Oakland 115kV	On-Line
NPPD Distributed (Burwell)	3.00	NPPD	Ord 115kV	On-Line
NPPD Distributed (Columbus Hydro)	45.00	NPPD	Columbus 115kV	On-Line
NPPD Distributed (North Platte - Lexington)	54.00	NPPD	Multiple: Jeffrey 115kV, John_1 115kV, John_2 115kV	On-Line
NPPD Distributed (Ord)	11.90	NPPD	Ord 115kV	On-Line
NPPD Distributed (Stuart)	2.10	NPPD	Ainsworth 115kV	On-Line
SPS Distributed (Dumas 19th St)	20.00	SPS	Dumas 19th Street 115kV	On-Line
SPS Distributed (Etter)	20.00	SPS	Etter 115kV	On-Line
SPS Distributed (Hopi)	10.00	SPS	Hopi 115kV	On-Line
SPS Distributed (Jal)	10.00	SPS	S Jal 115kV	On-Line
SPS Distributed (Lea Road)	10.00	SPS	Lea Road 115kV	On-Line
SPS Distributed (Monument)	10.00	SPS	Monument 115kV	On-Line
SPS Distributed (Moore E)	25.00	SPS	Moore East 115kV	On-Line
SPS Distributed (Ocotillo)	10.00	SPS	S_Jal 115kV	On-Line
SPS Distributed (Sherman)	20.00	SPS	Sherman 115kV	On-Line
SPS Distributed (Spearman)	10.00	SPS	Spearman 69kV	On-Line
SPS Distributed (TC-Texas County)	20.00	SPS	Texas County 115kV	On-Line
SPS Distributed (Yuma)	2.57	SPS	SP-Yuma 69kV	On-Line
Total:	32,688.7			

C: Study Groupings

See next page.

C. Study Groups

GROUP 1: WOODWARD AREA			
Request	Capacity	Area	Proposed Point of Interconnection
GEN-2001-014	96.00	WFEC	Ft Supply 138kV
GEN-2001-037	100.00	OKGE	FPL Moreland Tap 138kV
GEN-2005-008	120.00	OKGE	Woodward 138kV
GEN-2006-024S	19.80	WFEC	Buffalo Bear Tap 69kV
GEN-2006-046	131.00	OKGE	Dewey 138kV
GEN-2007-021	201.00	OKGE	Tatonga 345kV
GEN-2007-043	200.00	OKGE	Minco 345kV
GEN-2007-044	300.00	OKGE	Tatonga 345kV
GEN-2007-050	170.00	OKGE	Woodward EHV 138kV
GEN-2007-062	765.00	OKGE	Woodward EHV 345kV
GEN-2008-003	101.00	OKGE	Woodward EHV 138kV
GEN-2008-044	197.80	OKGE	Tatonga 345kV
GEN-2010-011	29.70	OKGE	Tatonga 345kV
GEN-2010-040	300.00	OKGE	Cimarron 345kV
GEN-2011-010	100.80	OKGE	Minco 345kV
GEN-2011-019	299.00	OKGE	Woodward 345kV
GEN-2011-020	299.00	OKGE	Woodward 345kV
GEN-2011-051	104.40	OKGE	Tap Woodward - Tatonga 345kV (GEN-2011-051 Tap)
GEN-2011-054	300.00	OKGE	Cimarron 345kV
GEN-2014-002	10.50	OKGE	Tatonga 345kV (GEN-2007-021 POI)
GEN-2014-003	15.84	OKGE	Tatonga 345kV (GEN-2007-044 POI)
GEN-2014-005	5.70	OKGE	Minco 345kV (GEN-2011-010 POI)
GEN-2014-020	100.00	AEPW	Tuttle 138kV
GEN-2014-056	250.00	OKGE	Minco 345kV
GEN-2015-029	161.00	OKGE	Tatonga 345kV
PRIOR QUEUED SUBTOTAL	4,377.54		
AREA TOTAL	4,377.54		

GROUP 2: HITCHLAND AREA

Request	Capacity	Area	Proposed Point of Interconnection
ASGI-2011-002	20.00	SPS	Herring 115kV
GEN-2002-008	240.00	SPS	Hitchland 345kV
GEN-2002-009	80.00	SPS	Hansford 115kV
GEN-2003-020	160.00	SPS	Martin 115kV
GEN-2006-020S	18.90	SPS	DWS Frisco 115kV
GEN-2006-044	370.00	SPS	Hitchland 345kV
GEN-2007-046	200.00	SPS	Hitchland 115kV
GEN-2008-047	300.00	OKGE	Beaver County 345kV
GEN-2010-001	300.00	OKGE	Beaver County 345kV
GEN-2010-014	358.80	SPS	Hitchland 345kV
GEN-2011-014	201.00	OKGE	Tap Hitchland - Woodward Dbl Ckt (GEN-2011-014 Tap) 345kV
GEN-2011-022	299.00	SPS	Hitchland 345kV
GEN-2013-030	300.00	OKGE	Beaver County 345kV
GEN-2014-026	150.00	OKGE	Beaver County 345kV
GEN-2014-037	200.00	SPS	Tap Hitchland - Beaver County Dbl Ckt (Optima) 345kV
GEN-2014-038	200.00	SPS	Tap Hitchland - Potter County 345kV
GEN-2015-006	150.00	OKGE	Beaver County 345kV
SPS Distributed (Dumas 19th St)	20.00	SPS	Dumas 19th Street 115kV
SPS Distributed (Etter)	20.00	SPS	Etter 115kV
SPS Distributed (Moore E)	25.00	SPS	Moore East 115kV
SPS Distributed (Sherman)	20.00	SPS	Sherman 115kV
SPS Distributed (Spearman)	10.00	SPS	Spearman 69kV
SPS Distributed (TC-Texas County)	20.00	SPS	Texas County 115kV
PRIOR QUEUED SUBTOTAL	3,662.70		
AREA TOTAL	3,662.70		

GROUP 3: SPEARVILLE AREA

Request	Capacity	Area	Proposed Point of Interconnection
ASGI-2012-006	22.50	SUNCMKEC	Tap Hugoton - Rolla 69kV
ASGI-2015-001	6.13	SUNCMKEC	Ninnescah 115kV
GEN-2001-039A	105.00	SUNCMKEC	Shooting Star Tap 115kV
GEN-2002-025A	150.00	SUNCMKEC	Spearville 230kV
GEN-2004-014	154.50	SUNCMKEC	Spearville 230kV
GEN-2005-012	250.00	SUNCMKEC	Ironwood 345kV
GEN-2006-021	101.00	SUNCMKEC	Flat Ridge Tap 138kV
GEN-2007-040	200.00	SUNCMKEC	Buckner 345kV
GEN-2008-018	250.00	SPS	Finney 345kV
GEN-2008-079	99.20	SUNCMKEC	Crooked Creek 115kV
GEN-2008-124	200.10	SUNCMKEC	Ironwood 345kV
GEN-2010-009	165.60	SUNCMKEC	Buckner 345kV
GEN-2010-045	197.80	SUNCMKEC	Buckner 345kV
GEN-2011-008	600.00	SUNCMKEC	Clark County 345kV
GEN-2011-016	200.10	SUNCMKEC	Spearville 345kV
GEN-2011-017	299.00	SUNCMKEC	Tap Spearville - Post Rock (GEN-2011-017T) 345kV
GEN-2012-007	120.00	SUNCMKEC	Rubart 115kV
GEN-2012-024	180.00	SUNCMKEC	Clark County 345kV
GEN-2013-010	99.00	SUNCMKEC	Tap Spearville - Post Rock (North of GEN-2011-017 Tap) 345kV
GEN-2014-049	200.00	SUNCMKEC	Thistle 345kV
GEN-2015-021	20.00	SUNCMKEC	Johnson Corner 115kV
GEN-2015-026	8.30	SUNCMKEC	Buckner 345kV
GEN-2015-027	4.94	SUNCMKEC	Crooked Creek 115kV
Gray County Wind (Montezuma)	110.00	SUNCMKEC	Gray County Tap 115kV
PRIOR QUEUED SUBTOTAL	3,743.17		
AREA TOTAL	3,743.17		

GROUP 4: NORTHWEST KANSAS AREA

Request	Capacity	Area	Proposed Point of Interconnection
ASGI-2013-004	36.60	SUNCMKEC	Morris 115kV
GEN-2001-039M	100.00	SUNCMKEC	Central Plains Tap 115kV
GEN-2003-006A	200.00	SUNCMKEC	Elm Creek 230kV
GEN-2003-019	250.00	MIDW	Smoky Hills Tap 230kV
GEN-2006-031	75.00	MIDW	Knoll 115kV
GEN-2008-092	201.00	MIDW	Post Rock 230kV
GEN-2009-008	199.50	MIDW	South Hays 230kV
GEN-2009-020	48.30	MIDW	Tap Nekoma - Bazine (Walnut Creek) 69kV
GEN-2010-048	70.00	MIDW	Tap Beach Station - Redline 115kV
GEN-2010-057	201.00	MIDW	Rice County 230kV
GEN-2013-033	28.00	MIDW	Goodman Energy Center 115kV
GEN-2014-025	2.40	MIDW	Tap Nekoma - Bazine (Walnut Creek) 69kV
GEN-2014-041	123.17	SUNCMKEC	Arnold 115kV
GEN-2015-012	300.13	SUNCMKEC	Mingo 345kV
GEN-2015-017	172.00	SUNCMKEC	Mingo 115kV
PRIOR QUEUED SUBTOTAL	2,007.10		
AREA TOTAL	2,007.10		

GROUP 5: AMARILLO AREA

Request	Capacity	Area	Proposed Point of Interconnection
ASGI-2013-001	11.50	SPS	PanTex South 115kV
GEN-2002-022	240.00	SPS	Bushland 230kV
GEN-2008-051	322.00	SPS	Potter County 345kV
GEN-2014-040	320.00	SPS	Castro 115kV
GEN-2014-068	203.00	SPS	Tap Deaf Smith - Plant X 230kV
Llano Estacado (White Deer)	80.00	SPS	Llano Wind 115kV
PRIOR QUEUED SUBTOTAL	1,176.50		
AREA TOTAL	1,176.50		

GROUP 6: SOUTH TEXAS PANHANDLE/NEW MEXICO AREA

Request	Capacity	Area	Proposed Point of Interconnection
ASGI-2010-010	42.20	SPS	Lovington 115kV
ASGI-2010-020	30.00	SPS	Tap LE-Tatum - LE-Crossroads 69kV
ASGI-2010-021	15.00	SPS	Tap LE-Saunders Tap - LE-Anderson 69kV
ASGI-2011-001	27.30	SPS	Lovington 115kV
ASGI-2011-003	10.00	SPS	Hendricks 115kV
ASGI-2011-004	20.00	SPS	Pleasant Hill 69kV
ASGI-2012-002	18.15	SPS	FE-Clovis Interchange 115kV
ASGI-2013-002	18.40	SPS	FE Tucumcari 115kV
ASGI-2013-003	18.40	SPS	FE Clovis 115kV
ASGI-2013-005	1.65	SPS	FE Clovis 115kV
ASGI-2013-006	2.00	SPS	SP-Erskine 115kV
ASGI-2014-001	2.50	SPS	SP-Erskine 115kV
ASGI-2014-002	49.60	SPS	Tap Tucumcari - Santa Rosa 115kV
ASGI-2014-005	10.00	SPS	Strata 69kV
ASGI-2014-008	10.00	SPS	South Loving 69kV
ASGI-2014-009	10.00	SPS	Wood Draw 115kV
ASGI-2014-010	10.00	SPS	Ochoa 115kV
ASGI-2014-012	10.00	SPS	Cooper Ranch 115kV
ASGI-2015-002	2.00	SPS	SP-Yuma 69kV
ASGI-2015-003	30.00	SPS	Tap San Jon Tap - Wheatland 115/69kV
GEN-2001-033	180.00	SPS	San Juan Tap 230kV
GEN-2001-036	80.00	SPS	Norton 115kV
GEN-2006-018	170.00	SPS	TUCO Interchange 230kV
GEN-2006-026	502.00	SPS	Hobbs 230kV & Hobbs 115kV
GEN-2008-022	300.00	SPS	Tap Tolk - Eddy County (Crossroads) 345kV
GEN-2010-006	205.00	SPS	Jones 230kV
GEN-2010-046	56.00	SPS	TUCO Interchange 230kV
GEN-2011-025	80.00	SPS	Tap Floyd County - Crosby County 115kV
GEN-2011-045	205.00	SPS	Jones 230kV
GEN-2011-046	27.00	SPS	Lopez 115kV
GEN-2011-048	175.00	SPS	Mustang 230kV
GEN-2012-001	61.20	SPS	Cirrus Tap 230kV
GEN-2012-009	15.00	SPS	Mustang 230kV
GEN-2012-010	15.00	SPS	Mustang 230kV
GEN-2012-020	478.00	SPS	TUCO 230kV
GEN-2012-034	7.00	SPS	Mustang 230kV
GEN-2012-035	7.00	SPS	Mustang 230kV
GEN-2012-036	7.00	SPS	Mustang 230kV
GEN-2012-037	203.00	SPS	TUCO 345kV
GEN-2013-016	203.00	SPS	TUCO 345kV
GEN-2013-022	25.00	SPS	Norton 115kV
GEN-2013-027	150.00	SPS	Tap Tolk - Yoakum 230kV
GEN-2014-012	225.00	SPS	Tap Hobbs Interchange - Andrews 230kV
GEN-2014-033	70.00	SPS	Chaves County 115kV
GEN-2014-034	70.00	SPS	Chaves County 115kV
GEN-2014-035	30.00	SPS	Chaves County 115kV
GEN-2014-046	125.40	SPS	Chaves County 115kV
GEN-2014-047	40.00	SPS	Tap Tolk - Eddy County (Crossroads) 345kV
GEN-2014-053	80.00	SPS	Carlisle 230kV
GEN-2014-054	120.00	SPS	Carlisle 230kV

GEN-2014-065	99.00	SPS	Whitten 115kV
GEN-2014-066	30.00	SPS	Norton 115kV
GEN-2014-074	152.00	SPS	Tap TUCO Interchange - Oklaunion 345kV
GEN-2015-009	300.00	SPS	Hobbs 230kV
GEN-2015-010	250.70	SPS	Tap South Roosevelt - Tolk 230kV
GEN-2015-014	150.00	SPS	Tap Cochran - Lehman 115kV
GEN-2015-018	80.00	SPS	Tap Curry County - Bailey 115kV
GEN-2015-020	99.96	SPS	Oasis 115kV
GEN-2015-022	112.00	SPS	Swisher 115kV
SPS Distributed (Hopi)	10.00	SPS	Hopi 115kV
SPS Distributed (Jal)	10.00	SPS	S Jal 115kV
SPS Distributed (Lea Road)	10.00	SPS	Lea Road 115kV
SPS Distributed (Monument)	10.00	SPS	Monument 115kV
SPS Distributed (Ocotillo)	10.00	SPS	S_Jal 115kV
SPS Distributed (Yuma)	2.57	SPS	SP-Yuma 69kV
PRIOR QUEUED SUBTOTAL	5,575.03		
GEN-2015-031	300.00	SPS	Swisher 115kV/Swisher 230kV
GEN-2015-032	300.00	SPS	Tulia 115kV/Newhart 230kV
CURRENT CLUSTER SUBTOTAL	600.00		
AREA TOTAL	6,175.03		

GROUP 7: SOUTHWEST OKLAHOMA AREA

Request	Capacity	Area	Proposed Point of Interconnection
GEN-2001-026	74.30	WFEC	Washita 138kV
GEN-2002-005	120.00	WFEC	Red Hills Tap 138kV
GEN-2003-004	100.00	WFEC	Washita 138kV
GEN-2003-005	100.00	WFEC	Anadarko - Paradise (Blue Canyon) 138kV
GEN-2003-022	120.00	AEPW	Washita 138kV
GEN-2004-020	27.00	AEPW	Washita 138kV
GEN-2004-023	20.60	WFEC	Washita 138kV
GEN-2005-003	30.60	WFEC	Washita 138kV
GEN-2006-002	101.00	AEPW	Sweetwater 230kV
GEN-2006-035	225.00	AEPW	Sweetwater 230kV
GEN-2006-043	99.00	AEPW	Sweetwater 230kV
GEN-2007-052	150.00	WFEC	Anadarko 138kV
GEN-2008-023	150.00	AEPW	Hobart Junction 138kV
GEN-2008-037	101.00	WFEC	Tap Washita - Blue Canyon Wind 138kV
GEN-2011-037	7.00	WFEC	Blue Canyon 5 138kV
GEN-2011-049	250.70	OKGE	Border 345kV
GEN-2012-028	74.80	WFEC	Gotebo 69kV
GEN-2015-004	52.90	OKGE	Border 345kV
GEN-2015-013	120.00	WFEC	Snyder 138kV
PRIOR QUEUED SUBTOTAL	1,923.90		
AREA TOTAL	1,923.90		

GROUP 8: NORTH OKLAHOMA/SOUTH CENTRAL KANSAS AREA

Request	Capacity	Area	Proposed Point of Interconnection
ASGI-2010-006	150.00	AECI	Tap Fairfax (AECI) - Schilder (AEPW) 138kV
ASGI-2014-014	56.40	GRDA	Ferguson 69kV
ASGI-2015-004	56.36	GRDA	Coffeyville City 69kV
GEN-2002-004	200.00	WERE	Latham 345kV
GEN-2005-013	201.00	WERE	Caney River 345kV
GEN-2007-025	300.00	WERE	Viola 345kV
GEN-2008-013	300.00	OKGE	Hunter 345kV
GEN-2008-021	42.00	WERE	Wolf Creek 345kV
GEN-2008-098	100.80	WERE	Waverly 345kV
GEN-2009-025	59.80	OKGE	Nardins 69kV
GEN-2010-003	100.80	WERE	Waverly 345kV
GEN-2010-005	299.20	WERE	Viola 345kV
GEN-2010-055	4.50	AEPW	Wekiwa 138kV
GEN-2011-057	150.40	WERE	Creswell 138kV
GEN-2012-027	136.00	AEPW	Shidler 138kV
GEN-2012-032	300.00	OKGE	Open Sky 345kV
GEN-2012-033	98.80	OKGE	Tap and Tie South 4th - Bunch Creek & Enid Tap - Fairmont (GEN-2012-033T) 138kV
GEN-2012-040	76.50	WFEC	Chilocco 138kV
GEN-2012-041	121.50	OKGE	Ranch Road 345kV
GEN-2013-012	147.00	OKGE	Redbud 345kV
GEN-2013-028	559.50	GRDA	Tap N Tulsa - GRDA 1 345kV
GEN-2013-029	300.00	OKGE	Renfrow 345kV
GEN-2014-001	200.60	WERE	Tap Wichita - Emporia Energy Center 345kV
GEN-2014-028	35.00	EMDE	Riverton 161kV
GEN-2014-064	248.40	OKGE	Otter 138kV
GEN-2015-001	200.00	OKGE	Ranch Road 345kV

GEN-2015-003	200.00	OKGE	Renfrow 345kV
GEN-2015-015	154.60	OKGE	Tap Medford Tap - Coyote 138kV
GEN-2015-016	200.00	KCPL	Tap Marmaton - Centerville 161kV
GEN-2015-024	220.00	WERE	Tap Thistle - Wichita 345kV Dbl CKT
GEN-2015-025	220.00	WERE	Tap Thistle - Wichita 345kV Dbl CKT
GEN-2015-028	3.00	OKGE	Nardins 69kV
GEN-2015-030	200.10	OKGE	Sooner 345kV
PRIOR QUEUED SUBTOTAL	5,642.26		
AREA TOTAL	5,642.26		

GROUP 9: NEBRASKA AREA

Request	Capacity	Area	Proposed Point of Interconnection
GEN-2002-023N	0.80	NPPD	Harmony 115kV
GEN-2003-021N	75.00	NPPD	Ainsworth Wind Tap 115kV
GEN-2004-023N	75.00	NPPD	Columbus Co 115kV
GEN-2006-020N	42.00	NPPD	Bloomfield 115kV
GEN-2006-037N1	75.00	NPPD	Broken Bow 115kV
GEN-2006-038N005	80.00	NPPD	Broken Bow 115kV
GEN-2006-038N019	80.00	NPPD	Petersburg North 115kV
GEN-2006-044N	40.50	NPPD	North Petersburg 115kV
GEN-2007-011N08	81.00	NPPD	Bloomfield 115kV
GEN-2008-086N02	201.00	NPPD	Meadow Grove 230kV
GEN-2008-1190	60.00	OPPD	S1399 161kV
GEN-2008-123N	89.70	NPPD	Tap Pauline - Hildreth (Rosemont) 115kV
GEN-2009-040	73.80	WERE	Marshall 115kV
GEN-2010-041	10.50	OPPD	S1399 161kV
GEN-2010-051	200.00	NPPD	Tap Twin Church - Hoskins 230kV
GEN-2011-018	73.60	NPPD	Steele City 115kV
GEN-2011-027	120.00	NPPD	Tap Hoskins - Twin Church 230kV
GEN-2011-056	3.60	NPPD	Jeffrey 115kV
GEN-2011-056A	3.60	NPPD	John 1 115kV
GEN-2011-056B	4.50	NPPD	John 2 115kV
GEN-2012-021	4.80	LES	Terry Bundy Generating Station 115kV
GEN-2013-002	50.60	LES	Tap Sheldon - Folsom & Pleasant Hill (GEN-2013-002 Tap) 115kV CKT 2
GEN-2013-008	1.20	NPPD	Steele City 115kV
GEN-2013-014	25.50	NPPD	Tap Guide Rock - Pauline (Rosemont) 115kV
GEN-2013-019	73.60	LES	Tap Sheldon - Folsom & Pleasant Hill (GEN-2013-002 Tap) 115kV CKT 2
GEN-2013-032	204.00	NPPD	Antelope 115kV
GEN-2014-004	4.00	NPPD	Steele City 115kV (GEN-2011-018 POI)
GEN-2014-013	73.50	NPPD	Meadow Grove (GEN-2008-086N2 Sub) 230kV
GEN-2014-023	79.90	NPPD	Tap Fort Randall - Meadow Grove 230kV
GEN-2014-031	35.80	NPPD	Meadow Grove 230kV
GEN-2014-032	10.20	NPPD	Meadow Grove 230kV
GEN-2014-039	73.40	NPPD	Friend 115kV
GEN-2014-059	160.00	NPPD	Tap Sidney - Ogallala 230kV
GEN-2014-060	125.80	NPPD	Tap Pauline - Hildreth (Rosemont) 115kV
GEN-2015-007	160.00	NPPD	Hoskins 345kV
GEN-2015-008	150.40	NPPD	Antelope 115kV
GEN-2015-023	300.70	NPPD	Holt County 345kV
NPPD Distributed (Broken Bow)	8.30	NPPD	Broken Bow 115kV
NPPD Distributed (Buffalo County Solar)	10.00	NPPD	Kearney Northeast
NPPD Distributed (Burt County Wind)	12.00	NPPD	Tekamah & Oakland 115kV

NPPD Distributed (Burwell)	3.00	NPPD	Ord 115kV
NPPD Distributed (Columbus Hydro)	45.00	NPPD	Columbus 115kV
NPPD Distributed (North Platte - Lexington)	54.00	NPPD	Multiple: Jeffrey 115kV, John_1 115kV, John_2 115kV
NPPD Distributed (Ord)	11.90	NPPD	Ord 115kV
NPPD Distributed (Stuart)	2.10	NPPD	Ainsworth 115kV
PRIOR QUEUED SUBTOTAL	3,069.30		
AREA TOTAL	3,069.30		

GROUP 10: SOUTHEAST OKLAHOMA/NORTHEAST TEXAS AREA

Request	Capacity	Area	Proposed Point of Interconnection
AREA TOTAL	0.00		

GROUP 12: NORTHWEST ARKANSAS AREA

Request	Capacity	Area	Proposed Point of Interconnection
GEN-2013-011	30.00	AEPW	Turk 138kV
GEN-2015-019	60.00	AEPW	Fitzhugh 161kV
PRIOR QUEUED SUBTOTAL	90.00		
AREA TOTAL	90.00		

GROUP 13: NORTHWEST MISSOURI AREA

Request	Capacity	Area	Proposed Point of Interconnection
GEN-2008-129	80.00	GMO	Pleasant Hill 161kV
GEN-2010-036	4.60	WERE	6th Street 115kV
GEN-2011-011	50.00	KCPL	Iatan 345kV
GEN-2014-021	300.00	GMO	Tap Nebraska City - Mullin Creek 345kV
GEN-2014-051	174.00	WERE	Jeffrey Energy Center 345kV
GEN-2015-005	200.10	GMO	Tap Nebraska City - Sibley 345kV
PRIOR QUEUED SUBTOTAL	808.70		
AREA TOTAL	808.70		

GROUP 14: SOUTH CENTRAL OKLAHOMA AREA

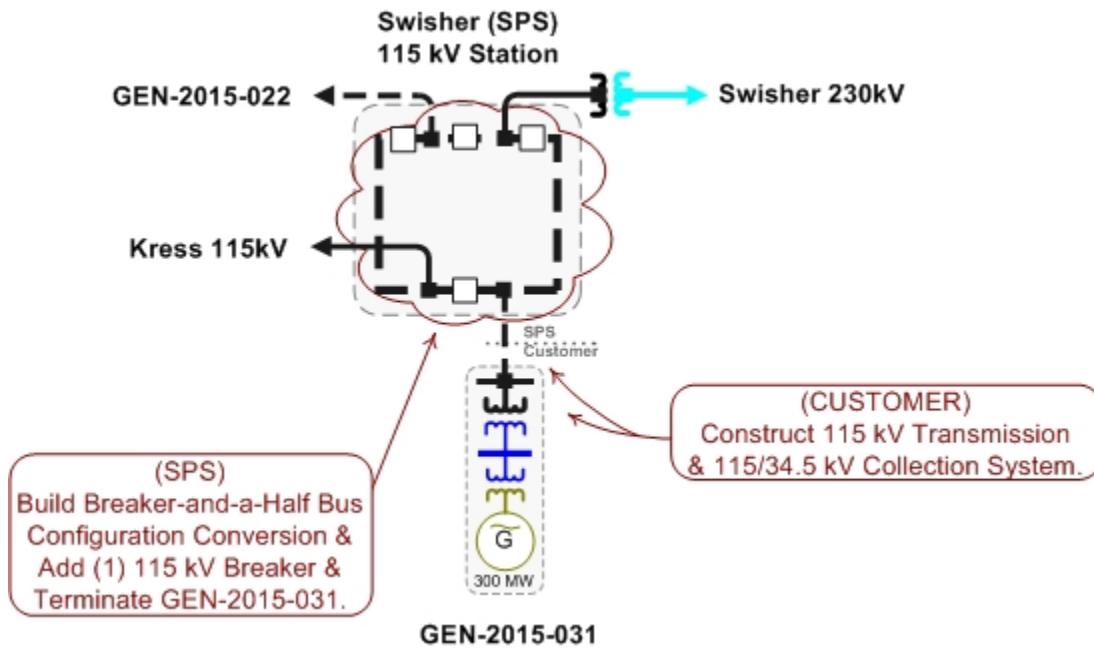
Request	Capacity	Area	Proposed Point of Interconnection
GEN-2011-040	111.00	OKGE	Carter County 138kV
GEN-2011-050	109.80	AEPW	Santa Fe Tap 138kV
GEN-2012-004	41.40	OKGE	Carter County 138kV
GEN-2013-007	100.30	OKGE	Tap Prices Falls - Carter 138kV
GEN-2014-057	250.00	AEPW	Tap Lawton - Sunnyside 345kV
PRIOR QUEUED SUBTOTAL	612.50		
AREA TOTAL	612.50		

CLUSTER TOTAL (CURRENT STUDY)	600.0	MW
PQ TOTAL (PRIOR QUEUED)	32,688.7	MW
CLUSTER TOTAL (INCLUDING PRIOR QUEUED)	33,288.7	MW

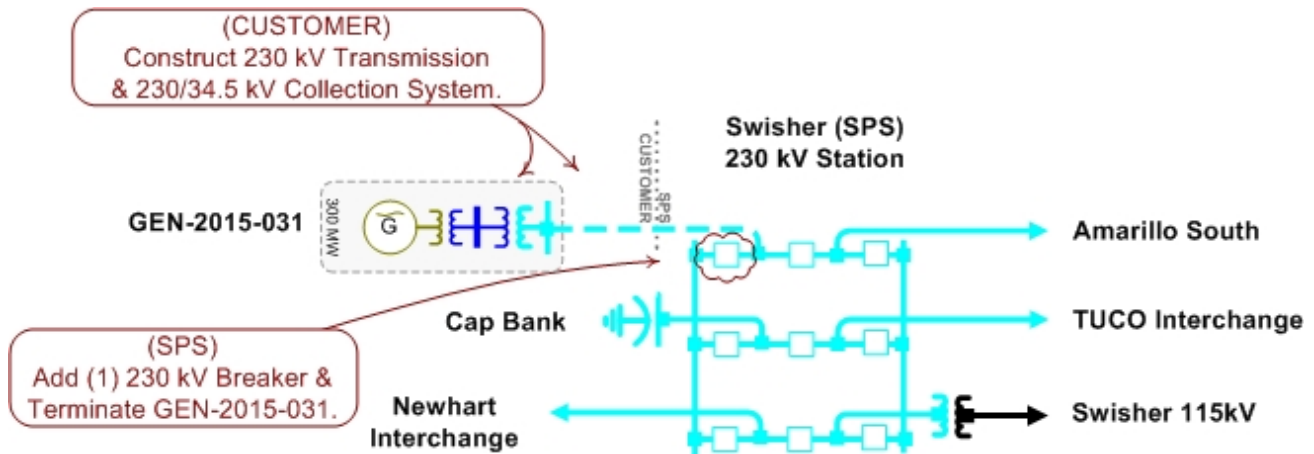
D: Proposed Point of Interconnection One line Diagrams

See next page.

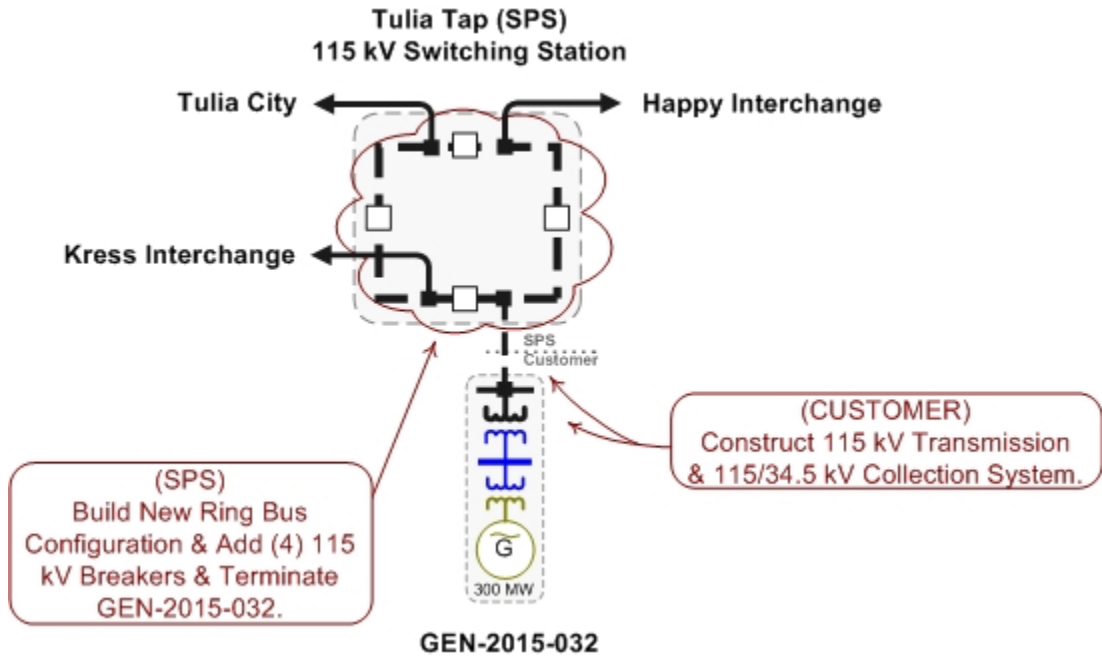
GEN-2015-031 (Swisher 115kV)
Estimated Interconnection Costs: \$6,000,000



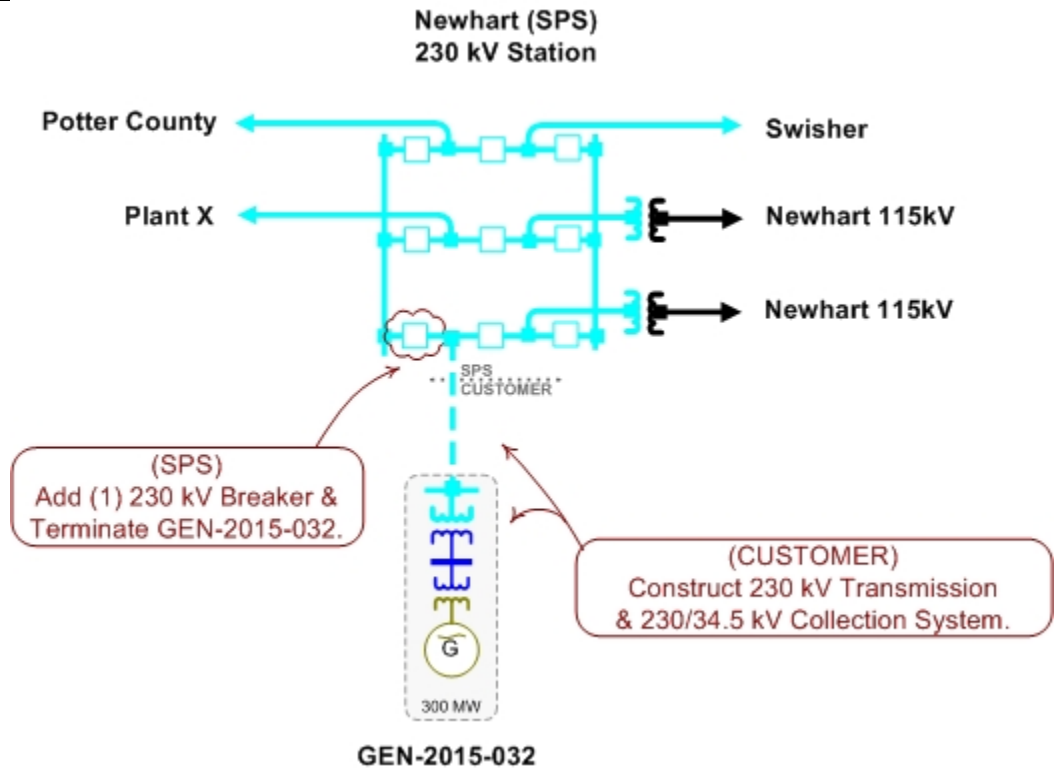
GEN-2015-031 (Swisher 230kV)
Estimated Interconnection Costs: \$3,000,000



GEN-2015-032 (Tulia 115kV)
Estimated Interconnection Costs: \$6,000,000



GEN-2015-032 (Newhart 230kV)
Estimated Interconnection Costs: \$3,000,000



E: Cost Allocation per Interconnection Request (Including Prior Queued Upgrades)

Important Note:

****WITHDRAWAL OF HIGHER QUEUED PROJECTS WILL CAUSE A RESTUDY AND MAY RESULT IN HIGHER INTERCONNECTION COSTS****

This section shows each Generator Interconnection Request Customer, their current study impacted Network Upgrades, and the previously allocated upgrades upon which they rely to accommodate their interconnection to the transmission system.

The costs associated with the current study Network Upgrades are allocated to the Customers shown in this report.

In addition should a higher queued request, defined as one this study includes as a prior queued request, withdraw, the Network Upgrades assigned to the withdrawn request may be reallocated to the remaining requests that have an impact on the Network Upgrade under a restudy. Also, should an Interconnection Request choose to go into service prior to the operation date of any necessary Network Upgrades, the costs associated with those upgrades may be reallocated to the impacted Interconnection Request. The actual costs allocated to each Generator Interconnection Request Customer will be determined at the time of a restudy.

The required interconnection costs listed do not include all costs associated with the deliverability of the energy to final customers. These costs are determined by separate studies if the Customer submits a Transmission Service Request through SPP's Open Access Same Time Information System (OASIS) as required by Attachment Z1 of the SPP OATT. In addition, costs associated with a short circuit analysis will be allocated should the Interconnection Request Customer choose to execute a Interconnection Facilities Study Agreement.

Appendix E. Analysis 1 Cost Allocation Per Request

(Including Previously Allocated Network Upgrades*)

Interconnection Request and Upgrades	Upgrade Type	Allocated Cost	Upgrade Cost
GEN-2015-031-Swisher-115			
Cimarron - Minco 345kV CKT 1 Replace 1600 amp switches.	Current Study	\$1,000,000	\$1,000,000
GEN-2015-031-Swisher-115 Interconnection Costs See One-Line Diagram.	Current Study	\$6,000,000	\$6,000,000
Swisher - Kress 115kV CKT1 Rebuild 3 miles of 115kV from Swisher to Kress.	Current Study	\$3,000,000	\$6,000,000
Swisher 230/115/13.2kV Transformer CKT2 Build Swisher 230/115/13.2kV transformer CKT 2 at Swisher substation.	Current Study	\$5,000,000	\$5,000,000
Border - Chisholm 345kV CKT 2 Build approximately 25 miles of second circuit 345kV from Border - Chisholm	Previously Allocated		\$25,000,000
Border 345kV Reactive Power Support Install 200Mvar Capacitor Bank(s) and +200Mvar SVC at Border Substation.	Previously Allocated		\$30,000,000
Chaves County - Price - CV Pines - Capitan 115kV CKT 1 NRIS only required upgrade: Per HPILs SPP-NTC-200256 (Total Project E&C Cost Shown)	Previously Allocated		\$14,275,000
Chisholm - Elk City 230kV CKT 1 Rebuild approximately 15 miles of 230kV from Chisholm - Elk City.	Previously Allocated		\$15,000,000
Chisholm - Gracemont 345kV CKT 1 Per SPP-NTC-200255 and 200240 (Total Project E&C Cost Shown)	Previously Allocated		\$162,952,357
Chisholm Substation Upgrade 345kV Expand planned Chisholm Substation to tap and terminate Woodward - Border 345kV into the Chisholm Substation.	Previously Allocated		\$12,000,000
Clinton Junction - Elk City 138kV CKT 1 Replace terminal equipment	Previously Allocated		\$500,000
Cunningham Station - Maddox Station 115kV CKT 1 NRIS only required upgrade: Rebuild approximately 3 miles of 115kV line.	Previously Allocated		\$1,914,000
Eddy County 230kV NRIS only required upgrade: Per 2013-AG3-AFS-6.	Previously Allocated		\$9,485,379
Elk City 230/138/13kV Transformer CKT 1 Replace terminal equipment for Elk City Transformer to achieve transformer limit of 450MVA.	Previously Allocated		\$15,000,000

* Withdrawal of higher queued projects will cause a restudy and may result in higher costs

Interconnection Request and Upgrades	Upgrade Type	Allocated Cost	Upgrade Cost
Grapevine - Chisholm 345kV CKT 1 Build approximately 75 miles of new 345kV from Grapevine - Chisholm.	Previously Allocated		\$75,000,000
Grapevine Substation Upgrade 345kV Build Grapevine Substation and terminate Beaver Co - Grapevine, Potter Co - Grapevine, Grapevine - Chisholm 345kV into the Grapevine Substation.	Previously Allocated		\$12,000,000
LES - GEN-2014-057 Tap - Sunnyside 345kV CKT 1 Replace terminal equipment	Previously Allocated		\$250,000
Oklaunion 345kV Reactive Power Support Install 110Mvar Capacitor Bank(s) and +50Mvar/-50Mvar SVC at Oklaunion.	Previously Allocated		\$25,000,000
Oklaunion 345kV Reactive Power Support Incremental Upgrade Install additional +100Mvar SVC at Oklaunion.	Previously Allocated		\$20,000,000
Pleasant Hill - Potter County 345kV CKT 1 Build approximately 125 miles of 345kV from Pleasant Hill - Potter County	Previously Allocated		\$125,000,000
Pleasant Hill 345/230/13kV Tranformer CKT 1 Build 345/230/13kV transformer at Pleasant Hill	Previously Allocated		\$15,000,000
Potter County - Grapevine 345kV CKT 1 Build approximately 65 miles of new 345kV from Potter County - Grapevine.	Previously Allocated		\$65,000,000
Potter County Interchange 345/230/13kV Transformer CKT 2 Build second 345/230/13kV transformer at Potter County	Previously Allocated		\$15,000,000
Swisher 230/115/13.2kV Transformer CKT1 Replace 150MVA Swisher 230/115/13.2kV transformer CKT 1 with 250MVA as per 2014 ITPNT, SPP-NTC-200256.	Previously Allocated		\$1,890,000
Tolk - Pleasant Hill 345kV CKT 1 Build approximately 50 miles of 345kV from Tolk - Pleasant Hill	Previously Allocated		\$50,000,000
TUCO 2 - Border 345kV CKT 2 Build approximately 194 miles of second circuit 345kV from TUCO 2 - Border	Previously Allocated		\$194,000,000
TUCO 2 Substation Upgrade 345/230kV Tap Border-TUCO approximately 2 miles from TUCO and build TUCO 2 345kV substation and add 345/230/13.2kV transformer and tie on TUCO-Swisher 230kV.	Previously Allocated		\$18,000,000
	Current Study Total		\$18,000,000

GEN-2015-032-Newhart-230

GEN-2015-032-Newhart-230 Interconnection Costs See One-Line Diagram.	Current Study	\$3,000,000	\$3,000,000
Border - Chisholm 345kV CKT 2 Build approximately 25 miles of second circuit 345kV from Border - Chisholm	Previously Allocated		\$25,000,000

* Withdrawal of higher queued projects will cause a restudy and may result in higher costs

Interconnection Request and Upgrades	Upgrade Type	Allocated Cost	Upgrade Cost
Border 345kV Reactive Power Support Install 200Mvar Capacitor Bank(s) and +200Mvar SVC at Border Substation.	Previously Allocated		\$30,000,000
Chaves County - Price - CV Pines - Capitan 115kV CKT 1 NRIS only required upgrade: Per HPILs SPP-NTC-200256 (Total Project E&C Cost Shown)	Previously Allocated		\$14,275,000
Chisholm - Elk City 230kV CKT 1 Rebuild approximately 15 miles of 230kV from Chisholm - Elk City.	Previously Allocated		\$15,000,000
Chisholm - Gracemont 345kV CKT 1 Per SPP-NTC-200255 and 200240 (Total Project E&C Cost Shown)	Previously Allocated		\$162,952,357
Chisholm Substation Upgrade 345kV Expand planned Chisholm Substation to tap and terminate Woodward - Border 345kV into the Chisholm Substation.	Previously Allocated		\$12,000,000
Clinton Junction - Elk City 138kV CKT 1 Replace terminal equipment	Previously Allocated		\$500,000
Cunningham Station - Maddox Station 115kV CKT 1 NRIS only required upgrade: Rebuild approximately 3 miles of 115kV line.	Previously Allocated		\$1,914,000
Eddy County 230kV NRIS only required upgrade: Per 2013-AG3-AFS-6.	Previously Allocated		\$9,485,379
Elk City 230/138/13kV Transformer CKT 1 Replace terminal equipment for Elk City Transformer to achieve transformer limit of 450MVA.	Previously Allocated		\$15,000,000
Grapevine - Chisholm 345kV CKT 1 Build approximately 75 miles of new 345kV from Grapevine - Chisholm.	Previously Allocated		\$75,000,000
Grapevine Substation Upgrade 345kV Build Grapevine Substation and terminate Beaver Co - Grapevine, Potter Co - Grapevine, Grapevine - Chisholm 345kV into the Grapevine Substation.	Previously Allocated		\$12,000,000
LES - GEN-2014-057 Tap - Sunnyside 345kV CKT 1 Replace terminal equipment	Previously Allocated		\$250,000
Oklauion 345kV Reactive Power Support Install 110Mvar Capacitor Bank(s) and +50Mvar/-50Mvar SVC at Oklauion.	Previously Allocated		\$25,000,000
Oklauion 345kV Reactive Power Support Incremental Upgrade Install additional +100Mvar SVC at Oklauion.	Previously Allocated		\$20,000,000
Pleasant Hill - Potter County 345kV CKT 1 Build approximately 125 miles of 345kV from Pleasant Hill - Potter County	Previously Allocated		\$125,000,000
Pleasant Hill 345/230/13kV Tranformer CKT 1 Build 345/230/13kV transformer at Pleasant Hill	Previously Allocated		\$15,000,000

* Withdrawal of higher queued projects will cause a restudy and may result in higher costs

Interconnection Request and Upgrades	Upgrade Type	Allocated Cost	Upgrade Cost
Potter County - Grapevine 345kV CKT 1 Build approximately 65 miles of new 345kV from Potter County - Grapevine.	Previously Allocated		\$65,000,000
Potter County Interchange 345/230/13kV Transformer CKT 2 Build second 345/230/13kV transformer at Potter County	Previously Allocated		\$15,000,000
Tolk - Pleasant Hill 345kV CKT 1 Build approximately 50 miles of 345kV from Tolk - Pleasant Hill	Previously Allocated		\$50,000,000
TUCO 2 - Border 345kV CKT 2 Build approximately 194 miles of second circuit 345kV from TUCO 2 - Border	Previously Allocated		\$194,000,000
TUCO 2 - Yoakum 345kV Retermination Incremental Upgrade for SPP-NTC-200283 to reterminate TUCO terminal to TUCO 2 terminal by adding approximately 3 miles of 345kV	Previously Allocated		\$5,000,000
TUCO 2 Substation Upgrade 345/230kV Tap Border-TUCO approximately 2 miles from TUCO and build TUCO 2 345kV substation and add 345/230/13.2kV transformer and tie on TUCO-Swisher 230kV.	Previously Allocated		\$18,000,000
	Current Study Total		\$3,000,000
TOTAL CURRENT STUDY COSTS:			\$21,000,000

* Withdrawal of higher queued projects will cause a restudy and may result in higher costs

Appendix E. Analysis 2 Cost Allocation Per Request

(Including Previously Allocated Network Upgrades*)

Interconnection Request and Upgrades	Upgrade Type	Allocated Cost	Upgrade Cost
GEN-2015-031-Swisher-115			
Cimarron - Minco 345kV CKT 1 Replace 1600 amp switches.	Current Study	\$504,770	\$1,000,000
GEN-2015-031-Swisher-115 Interconnection Costs See One-Line Diagram.	Current Study	\$6,000,000	\$6,000,000
Swisher - Kress 115kV CKT1 Rebuild 3 miles of 115kV from Swisher to Kress.	Current Study	\$3,481,078	\$6,000,000
Swisher 230/115/13.2kV Transformer CKT2 Build Swisher 230/115/13.2kV transformer CKT 2 at Swisher substation.	Current Study	\$3,090,022	\$5,000,000
Border - Chisholm 345kV CKT 2 Build approximately 25 miles of second circuit 345kV from Border - Chisholm	Previously Allocated		\$25,000,000
Border 345kV Reactive Power Support Install 200Mvar Capacitor Bank(s) and +200Mvar SVC at Border Substation.	Previously Allocated		\$30,000,000
Chaves County - Price - CV Pines - Capitan 115kV CKT 1 NRIS only required upgrade: Per HPILs SPP-NTC-200256 (Total Project E&C Cost Shown)	Previously Allocated		\$14,275,000
Chisholm - Elk City 230kV CKT 1 Rebuild approximately 15 miles of 230kV from Chisholm - Elk City.	Previously Allocated		\$15,000,000
Chisholm - Gracemont 345kV CKT 1 Per SPP-NTC-200255 and 200240 (Total Project E&C Cost Shown)	Previously Allocated		\$162,952,357
Chisholm Substation Upgrade 345kV Expand planned Chisholm Substation to tap and terminate Woodward - Border 345kV into the Chisholm Substation.	Previously Allocated		\$12,000,000
Clinton Junction - Elk City 138kV CKT 1 Replace terminal equipment	Previously Allocated		\$500,000
Cunningham Station - Maddox Station 115kV CKT 1 NRIS only required upgrade: Rebuild approximately 3 miles of 115kV line.	Previously Allocated		\$1,914,000
Eddy County 230kV NRIS only required upgrade: Per 2013-AG3-AFS-6.	Previously Allocated		\$9,485,379
Elk City 230/138/13kV Transformer CKT 1 Replace terminal equipment for Elk City Transformer to achieve transformer limit of 450MVA.	Previously Allocated		\$15,000,000

* Withdrawal of higher queued projects will cause a restudy and may result in higher costs

Interconnection Request and Upgrades	Upgrade Type	Allocated Cost	Upgrade Cost
Grapevine - Chisholm 345kV CKT 1 Build approximately 75 miles of new 345kV from Grapevine - Chisholm.	Previously Allocated		\$75,000,000
Grapevine Substation Upgrade 345kV Build Grapevine Substation and terminate Beaver Co - Grapevine, Potter Co - Grapevine, Grapevine - Chisholm 345kV into the Grapevine Substation.	Previously Allocated		\$12,000,000
Kress Interchange - Swisher 115kV CKT 1 Replace terminal equipment	Previously Allocated		\$500,000
LES - GEN-2014-057 Tap - Sunnyside 345kV CKT 1 Replace terminal equipment	Previously Allocated		\$250,000
Oklaunion 345kV Reactive Power Support Install 110Mvar Capacitor Bank(s) and +50Mvar/-50Mvar SVC at Oklaunion.	Previously Allocated		\$25,000,000
Oklaunion 345kV Reactive Power Support Incremental Upgrade Install additional +100Mvar SVC at Oklaunion.	Previously Allocated		\$20,000,000
Pleasant Hill - Potter County 345kV CKT 1 Build approximately 125 miles of 345kV from Pleasant Hill - Potter County	Previously Allocated		\$125,000,000
Pleasant Hill 345/230/13kV Transformer CKT 1 Build 345/230/13kV transformer at Pleasant Hill	Previously Allocated		\$15,000,000
Potter County - Grapevine 345kV CKT 1 Build approximately 65 miles of new 345kV from Potter County - Grapevine.	Previously Allocated		\$65,000,000
Potter County Interchange 345/230/13kV Transformer CKT 2 Build second 345/230/13kV transformer at Potter County	Previously Allocated		\$15,000,000
Swisher 230/115/13.2kV Transformer CKT1 Replace 150MVA Swisher 230/115/13.2kV transformer CKT 1 with 250MVA as per 2014 ITPNT, SPP-NTC-200256.	Previously Allocated		\$1,890,000
Tolk - Pleasant Hill 345kV CKT 1 Build approximately 50 miles of 345kV from Tolk - Pleasant Hill	Previously Allocated		\$50,000,000
TUCO 2 - Border 345kV CKT 2 Build approximately 194 miles of second circuit 345kV from TUCO 2 - Border	Previously Allocated		\$194,000,000
TUCO 2 - Yoakum 345kV Retermination Incremental Upgrade for SPP-NTC-200283 to reterminate TUCO terminal to TUCO 2 terminal by adding approximately 3 miles of 345kV	Previously Allocated		\$5,000,000
TUCO 2 Substation Upgrade 345/230kV Tap Border-TUCO approximately 2 miles from TUCO and build TUCO 2 345kV substation and add 345/230/13.2kV transformer and tie on TUCO-Swisher 230kV.	Previously Allocated		\$18,000,000
	Current Study Total		\$13,075,870

* Withdrawal of higher queued projects will cause a restudy and may result in higher costs

Interconnection Request and Upgrades	Upgrade Type	Allocated Cost	Upgrade Cost
GEN-2015-032-Tulia-115			
Cimarron - Minco 345kV CKT 1 Replace 1600 amp switches.	Current Study	\$495,230	\$1,000,000
GEN-2015-032-Tulia-115 Interconnection Costs See One-Line Diagram.	Current Study	\$6,000,000	\$6,000,000
Happy Interchange - Palo Duro 115kV CKT2 Build second 115kV circuit from Happy Interchange to Palo Duro .	Current Study	\$17,857,500	\$17,857,500
Kress - Tulia Tap 115kV CKT2 Build second 115kV circuit from Kress to Tulia Tap.	Current Study	\$7,785,000	\$7,785,000
Palo Duro - Randall 115kV CKT2 Build second 115kV circuit from Palo Duro to Randall .	Current Study	\$10,222,500	\$10,222,500
Swisher - Kress 115kV CKT1 Rebuild 3 miles of 115kV from Swisher to Kress.	Current Study	\$2,518,922	\$6,000,000
Swisher 230/115/13.2kV Transformer CKT2 Build Swisher 230/115/13.2kV transformer CKT 2 at Swisher substation.	Current Study	\$1,909,978	\$5,000,000
Tulia Tap - Happy Interchange 115kV CKT2 Build second 115kV circuit from Tulia Tap to Happy Interchange.	Current Study	\$5,602,500	\$5,602,500
Border - Chisholm 345kV CKT 2 Build approximately 25 miles of second circuit 345kV from Border - Chisholm	Previously Allocated		\$25,000,000
Border 345kV Reactive Power Support Install 200Mvar Capacitor Bank(s) and +200Mvar SVC at Border Substation.	Previously Allocated		\$30,000,000
Canyon East - Randall 115kV line CKT 1 Per SPP-NTC-200262 (Total Project E&C Cost Shown).	Previously Allocated		\$13,609,088
Chaves County - Price - CV Pines - Capitan 115kV CKT 1 NRIS only required upgrade: Per HPILs SPP-NTC-200256 (Total Project E&C Cost Shown)	Previously Allocated		\$14,275,000
Chisholm - Elk City 230kV CKT 1 Rebuild approximately 15 miles of 230kV from Chisholm - Elk City.	Previously Allocated		\$15,000,000
Chisholm - Gracemont 345kV CKT 1 Per SPP-NTC-200255 and 200240 (Total Project E&C Cost Shown)	Previously Allocated		\$162,952,357
Chisholm Substation Upgrade 345kV Expand planned Chisholm Substation to tap and terminate Woodward - Border 345kV into the Chisholm Substation.	Previously Allocated		\$12,000,000
Clinton Junction - Elk City 138kV CKT 1 Replace terminal equipment	Previously Allocated		\$500,000

* Withdrawal of higher queued projects will cause a restudy and may result in higher costs

Interconnection Request and Upgrades	Upgrade Type	Allocated Cost	Upgrade Cost
Cunningham Station - Maddox Station 115kV CKT 1 NRIS only required upgrade: Rebuild approximately 3 miles of 115kV line.	Previously Allocated		\$1,914,000
Eddy County 230kV NRIS only required upgrade: Per 2013-AG3-AFS-6.	Previously Allocated		\$9,485,379
Elk City 230/138/13kV Transformer CKT 1 Replace terminal equipment for Elk City Transformer to achieve transformer limit of 450MVA.	Previously Allocated		\$15,000,000
Grapevine - Chisholm 345kV CKT 1 Build approximately 75 miles of new 345kV from Grapevine - Chisholm.	Previously Allocated		\$75,000,000
Grapevine Substation Upgrade 345kV Build Grapevine Substation and terminate Beaver Co - Grapevine, Potter Co - Grapevine, Grapevine - Chisholm 345kV into the Grapevine Substation.	Previously Allocated		\$12,000,000
Kress Interchange - Swisher 115kV CKT 1 Replace terminal equipment	Previously Allocated		\$500,000
LES - GEN-2014-057 Tap - Sunnyside 345kV CKT 1 Replace terminal equipment	Previously Allocated		\$250,000
Oklaunion 345kV Reactive Power Support Install 110Mvar Capacitor Bank(s) and +50Mvar/-50Mvar SVC at Oklaunion.	Previously Allocated		\$25,000,000
Oklaunion 345kV Reactive Power Support Incremental Upgrade Install additional +100Mvar SVC at Oklaunion.	Previously Allocated		\$20,000,000
Pleasant Hill - Potter County 345kV CKT 1 Build approximately 125 miles of 345kV from Pleasant Hill - Potter County	Previously Allocated		\$125,000,000
Pleasant Hill 345/230/13kV Tranformer CKT 1 Build 345/230/13kV transformer at Pleasant Hill	Previously Allocated		\$15,000,000
Potter County - Grapevine 345kV CKT 1 Build approximately 65 miles of new 345kV from Potter County - Grapevine.	Previously Allocated		\$65,000,000
Potter County Interchange 345/230/13kV Transformer CKT 2 Build second 345/230/13kV transformer at Potter County	Previously Allocated		\$15,000,000
Randall - South Georgia & Osage Station line re-termination Per SPP-NTC-20130 (Total Project E&C Cost Shown).	Previously Allocated		\$1,680,000
Swisher 230/115/13.2kV Transformer CKT1 Replace 150MVA Swisher 230/115/13.2kV transformer CKT 1 with 250MVA as per 2014 ITPNT, SPP-NTC-200256.	Previously Allocated		\$1,890,000
Tolk - Pleasant Hill 345kV CKT 1 Build approximately 50 miles of 345kV from Tolk - Pleasant Hill	Previously Allocated		\$50,000,000

* Withdrawal of higher queued projects will cause a restudy and may result in higher costs

Interconnection Request and Upgrades	Upgrade Type	Allocated Cost	Upgrade Cost
TUCO 2 - Border 345kV CKT 2 Build approximately 194 miles of second circuit 345kV from TUCO 2 - Border	Previously Allocated		\$194,000,000
TUCO 2 - Yoakum 345kV Retermination Incremental Upgrade for SPP-NTC-200283 to reterminate TUCO terminal to TUCO 2 terminal by adding approximately 3 miles of 345kV	Previously Allocated		\$5,000,000
TUCO 2 Substation Upgrade 345/230kV Tap Border-TUCO approximately 2 miles from TUCO and build TUCO 2 345kV substation and add 345/230/13.2kV transformer and tie on TUCO-Swisher 230kV.	Previously Allocated		\$18,000,000
	Current Study Total	\$52,391,630	
TOTAL CURRENT STUDY COSTS:			\$65,467,500

* Withdrawal of higher queued projects will cause a restudy and may result in higher costs

Appendix E. Analysis 3 Cost Allocation Per Request

(Including Previously Allocated Network Upgrades*)

Interconnection Request and Upgrades	Upgrade Type	Allocated Cost	Upgrade Cost
GEN-2015-031-Swisher-230			
Cimarron - Minco 345kV CKT 1 Replace 1600 amp switches.	Current Study	\$505,058	\$1,000,000
GEN-2015-031-Swisher-230 Interconnection Costs See One-Line Diagram.	Current Study	\$3,000,000	\$3,000,000
TUCO_2 345/230/13.2kV Transformer CKT2 Build TUCO 345/230/13.2kV transformer CKT 2 at TUCO 2 substation.	Current Study	\$15,000,000	\$15,000,000
Border - Chisholm 345kV CKT 2 Build approximately 25 miles of second circuit 345kV from Border - Chisholm	Previously Allocated		\$25,000,000
Border 345kV Reactive Power Support Install 200Mvar Capacitor Bank(s) and +200Mvar SVC at Border Substation.	Previously Allocated		\$30,000,000
Chaves County - Price - CV Pines - Capitan 115kV CKT 1 NRIS only required upgrade: Per HPILs SPP-NTC-200256 (Total Project E&C Cost Shown)	Previously Allocated		\$14,275,000
Chisholm - Elk City 230kV CKT 1 Rebuild approximately 15 miles of 230kV from Chisholm - Elk City.	Previously Allocated		\$15,000,000
Chisholm - Gracemont 345kV CKT 1 Per SPP-NTC-200255 and 200240 (Total Project E&C Cost Shown)	Previously Allocated		\$162,952,357
Chisholm Substation Upgrade 345kV Expand planned Chisholm Substation to tap and terminate Woodward - Border 345kV into the Chisholm Substation.	Previously Allocated		\$12,000,000
Clinton Junction - Elk City 138kV CKT 1 Replace terminal equipment	Previously Allocated		\$500,000
Cunningham Station - Maddox Station 115kV CKT 1 NRIS only required upgrade: Rebuild approximately 3 miles of 115kV line.	Previously Allocated		\$1,914,000
Eddy County 230kV NRIS only required upgrade: Per 2013-AG3-AFS-6.	Previously Allocated		\$9,485,379
Elk City 230/138/13kV Transformer CKT 1 Replace terminal equipment for Elk City Transformer to achieve transformer limit of 450MVA.	Previously Allocated		\$15,000,000
Grapevine - Chisholm 345kV CKT 1 Build approximately 75 miles of new 345kV from Grapevine - Chisholm.	Previously Allocated		\$75,000,000

* Withdrawal of higher queued projects will cause a restudy and may result in higher costs

Interconnection Request and Upgrades	Upgrade Type	Allocated Cost	Upgrade Cost
Grapevine Substation Upgrade 345kV Build Grapevine Substation and terminate Beaver Co - Grapevine, Potter Co - Grapevine, Grapevine - Chisholm 345kV into the Grapevine Substation.	Previously Allocated		\$12,000,000
Kress Interchange - Swisher 115kV CKT 1 Replace terminal equipment	Previously Allocated		\$500,000
LES - GEN-2014-057 Tap - Sunnyside 345kV CKT 1 Replace terminal equipment	Previously Allocated		\$250,000
Oklaunion 345kV Reactive Power Support Install 110Mvar Capacitor Bank(s) and +50Mvar/-50Mvar SVC at Oklaunion.	Previously Allocated		\$25,000,000
Oklaunion 345kV Reactive Power Support Incremental Upgrade Install additional +100Mvar SVC at Oklaunion.	Previously Allocated		\$20,000,000
Pleasant Hill - Potter County 345kV CKT 1 Build approximately 125 miles of 345kV from Pleasant Hill - Potter County	Previously Allocated		\$125,000,000
Pleasant Hill 345/230/13kV Tranformer CKT 1 Build 345/230/13kV transformer at Pleasant Hill	Previously Allocated		\$15,000,000
Potter County - Grapevine 345kV CKT 1 Build approximately 65 miles of new 345kV from Potter County - Grapevine.	Previously Allocated		\$65,000,000
Potter County Interchange 345/230/13kV Transformer CKT 2 Build second 345/230/13kV transformer at Potter County	Previously Allocated		\$15,000,000
Tolk - Pleasant Hill 345kV CKT 1 Build approximately 50 miles of 345kV from Tolk - Pleasant Hill	Previously Allocated		\$50,000,000
TUCO 2 - Border 345kV CKT 2 Build approximately 194 miles of second circuit 345kV from TUCO 2 - Border	Previously Allocated		\$194,000,000
TUCO 2 - Yoakum 345kV Retermination Incremental Upgrade for SPP-NTC-200283 to reterminate TUCO terminal to TUCO 2 terminal by adding approximately 3 miles of 345kV	Previously Allocated		\$5,000,000
TUCO 2 Substation Upgrade 345/230kV Tap Border-TUCO approximately 2 miles from TUCO and build TUCO 2 345kV substation and add 345/230/13.2kV transformer and tie on TUCO-Swisher 230kV.	Previously Allocated		\$18,000,000
	Current Study Total	\$18,505,058	

GEN-2015-032-Newhart-230

Cimarron - Minco 345kV CKT 1 Replace 1600 amp switches.	Current Study	\$494,942	\$1,000,000
GEN-2015-032-Newhart-230 Interconnection Costs See One-Line Diagram.	Current Study	\$3,000,000	\$3,000,000

* Withdrawal of higher queued projects will cause a restudy and may result in higher costs

Interconnection Request and Upgrades	Upgrade Type	Allocated Cost	Upgrade Cost
Border - Chisholm 345kV CKT 2 Build approximately 25 miles of second circuit 345kV from Border - Chisholm	Previously Allocated		\$25,000,000
Border 345kV Reactive Power Support Install 200Mvar Capacitor Bank(s) and +200Mvar SVC at Border Substation.	Previously Allocated		\$30,000,000
Chaves County - Price - CV Pines - Capitan 115kV CKT 1 NRIS only required upgrade: Per HPILs SPP-NTC-200256 (Total Project E&C Cost Shown)	Previously Allocated		\$14,275,000
Chisholm - Elk City 230kV CKT 1 Rebuild approximately 15 miles of 230kV from Chisholm - Elk City.	Previously Allocated		\$15,000,000
Chisholm - Gracemont 345kV CKT 1 Per SPP-NTC-200255 and 200240 (Total Project E&C Cost Shown)	Previously Allocated		\$162,952,357
Chisholm Substation Upgrade 345kV Expand planned Chisholm Substation to tap and terminate Woodward - Border 345kV into the Chisholm Substation.	Previously Allocated		\$12,000,000
Clinton Junction - Elk City 138kV CKT 1 Replace terminal equipment	Previously Allocated		\$500,000
Cunningham Station - Maddox Station 115kV CKT 1 NRIS only required upgrade: Rebuild approximately 3 miles of 115kV line.	Previously Allocated		\$1,914,000
Eddy County 230kV NRIS only required upgrade: Per 2013-AG3-AFS-6.	Previously Allocated		\$9,485,379
Elk City 230/138/13kV Transformer CKT 1 Replace terminal equipment for Elk City Transformer to achieve transformer limit of 450MVA.	Previously Allocated		\$15,000,000
Grapevine - Chisholm 345kV CKT 1 Build approximately 75 miles of new 345kV from Grapevine - Chisholm.	Previously Allocated		\$75,000,000
Grapevine Substation Upgrade 345kV Build Grapevine Substation and terminate Beaver Co - Grapevine, Potter Co - Grapevine, Grapevine - Chisholm 345kV into the Grapevine Substation.	Previously Allocated		\$12,000,000
Kress Interchange - Swisher 115kV CKT 1 Replace terminal equipment	Previously Allocated		\$500,000
LES - GEN-2014-057 Tap - Sunnyside 345kV CKT 1 Replace terminal equipment	Previously Allocated		\$250,000
Oklaunion 345kV Reactive Power Support Install 110Mvar Capacitor Bank(s) and +50Mvar/-50Mvar SVC at Oklaunion.	Previously Allocated		\$25,000,000
Oklaunion 345kV Reactive Power Support Incremental Upgrade Install additional +100Mvar SVC at Oklaunion.	Previously Allocated		\$20,000,000

* Withdrawal of higher queued projects will cause a restudy and may result in higher costs

Interconnection Request and Upgrades	Upgrade Type	Allocated Cost	Upgrade Cost
Pleasant Hill - Potter County 345kV CKT 1 Build approximately 125 miles of 345kV from Pleasant Hill - Potter County	Previously Allocated		\$125,000,000
Pleasant Hill 345/230/13kV Tranformer CKT 1 Build 345/230/13kV transformer at Pleasant Hill	Previously Allocated		\$15,000,000
Potter County - Grapevine 345kV CKT 1 Build approximately 65 miles of new 345kV from Potter County - Grapevine.	Previously Allocated		\$65,000,000
Potter County Interchange 345/230/13kV Transformer CKT 2 Build second 345/230/13kV transformer at Potter County	Previously Allocated		\$15,000,000
Tolk - Pleasant Hill 345kV CKT 1 Build approximately 50 miles of 345kV from Tolk - Pleasant Hill	Previously Allocated		\$50,000,000
TUCO 2 - Border 345kV CKT 2 Build approximately 194 miles of second circuit 345kV from TUCO 2 - Border	Previously Allocated		\$194,000,000
TUCO 2 - Yoakum 345kV Retermination Incremental Upgrade for SPP-NTC-200283 to reterminate TUCO terminal to TUCO 2 terminal by adding approximately 3 miles of 345kV	Previously Allocated		\$5,000,000
TUCO 2 Substation Upgrade 345/230kV Tap Border-TUCO approximately 2 miles from TUCO and build TUCO 2 345kV substation and add 345/230/13.2kV transformer and tie on TUCO-Swisher 230kV.	Previously Allocated		\$18,000,000
	Current Study Total		\$3,494,942
TOTAL CURRENT STUDY COSTS:			\$22,000,000

* Withdrawal of higher queued projects will cause a restudy and may result in higher costs

Appendix E. Analysis 4 Cost Allocation Per Request

(Including Previously Allocated Network Upgrades*)

Interconnection Request and Upgrades	Upgrade Type	Allocated Cost	Upgrade Cost
GEN-2015-031-Swisher-230			
Cimarron - Minco 345kV CKT 1 Replace 1600 amp switches.	Current Study	\$506,595	\$1,000,000
GEN-2015-031-Swisher-230 Interconnection Costs See One-Line Diagram.	Current Study	\$3,000,000	\$3,000,000
Border - Chisholm 345kV CKT 2 Build approximately 25 miles of second circuit 345kV from Border - Chisholm	Previously Allocated		\$25,000,000
Border 345kV Reactive Power Support Install 200Mvar Capacitor Bank(s) and +200Mvar SVC at Border Substation.	Previously Allocated		\$30,000,000
Chaves County - Price - CV Pines - Capitan 115kV CKT 1 NRIS only required upgrade: Per HPILs SPP-NTC-200256 (Total Project E&C Cost Shown)	Previously Allocated		\$14,275,000
Chisholm - Elk City 230kV CKT 1 Rebuild approximately 15 miles of 230kV from Chisholm - Elk City.	Previously Allocated		\$15,000,000
Chisholm - Gracemont 345kV CKT 1 Per SPP-NTC-200255 and 200240 (Total Project E&C Cost Shown)	Previously Allocated		\$162,952,357
Chisholm Substation Upgrade 345kV Expand planned Chisholm Substation to tap and terminate Woodward - Border 345kV into the Chisholm Substation.	Previously Allocated		\$12,000,000
Clinton Junction - Elk City 138kV CKT 1 Replace terminal equipment	Previously Allocated		\$500,000
Cunningham Station - Maddox Station 115kV CKT 1 NRIS only required upgrade: Rebuild approximately 3 miles of 115kV line.	Previously Allocated		\$1,914,000
Eddy County 230kV NRIS only required upgrade: Per 2013-AG3-AFS-6.	Previously Allocated		\$9,485,379
Elk City 230/138/13kV Transformer CKT 1 Replace terminal equipment for Elk City Transformer to achieve transformer limit of 450MVA.	Previously Allocated		\$15,000,000
Grapevine - Chisholm 345kV CKT 1 Build approximately 75 miles of new 345kV from Grapevine - Chisholm.	Previously Allocated		\$75,000,000
Grapevine Substation Upgrade 345kV Build Grapevine Substation and terminate Beaver Co - Grapevine, Potter Co - Grapevine, Grapevine - Chisholm 345kV into the Grapevine Substation.	Previously Allocated		\$12,000,000

* Withdrawal of higher queued projects will cause a restudy and may result in higher costs

Interconnection Request and Upgrades	Upgrade Type	Allocated Cost	Upgrade Cost
Kress Interchange - Swisher 115kV CKT 1 Replace terminal equipment	Previously Allocated		\$500,000
LES - GEN-2014-057 Tap - Sunnyside 345kV CKT 1 Replace terminal equipment	Previously Allocated		\$250,000
Oklaunion 345kV Reactive Power Support Install 110Mvar Capacitor Bank(s) and +50Mvar/-50Mvar SVC at Oklaunion.	Previously Allocated		\$25,000,000
Oklaunion 345kV Reactive Power Support Incremental Upgrade Install additional +100Mvar SVC at Oklaunion.	Previously Allocated		\$20,000,000
Pleasant Hill - Potter County 345kV CKT 1 Build approximately 125 miles of 345kV from Pleasant Hill - Potter County	Previously Allocated		\$125,000,000
Pleasant Hill 345/230/13kV Tranformer CKT 1 Build 345/230/13kV transformer at Pleasant Hill	Previously Allocated		\$15,000,000
Potter County - Grapevine 345kV CKT 1 Build approximately 65 miles of new 345kV from Potter County - Grapevine.	Previously Allocated		\$65,000,000
Potter County Interchange 345/230/13kV Transformer CKT 2 Build second 345/230/13kV transformer at Potter County	Previously Allocated		\$15,000,000
Tolk - Pleasant Hill 345kV CKT 1 Build approximately 50 miles of 345kV from Tolk - Pleasant Hill	Previously Allocated		\$50,000,000
TUCO 2 - Border 345kV CKT 2 Build approximately 194 miles of second circuit 345kV from TUCO 2 - Border	Previously Allocated		\$194,000,000
TUCO 2 - Yoakum 345kV Retermination Incremental Upgrade for SPP-NTC-200283 to reterminate TUCO terminal to TUCO 2 terminal by adding approximately 3 miles of 345kV	Previously Allocated		\$5,000,000
TUCO 2 Substation Upgrade 345/230kV Tap Border-TUCO approximately 2 miles from TUCO and build TUCO 2 345kV substation and add 345/230/13.2kV transformer and tie on TUCO-Swisher 230kV.	Previously Allocated		\$18,000,000
	Current Study Total	\$3,506,595	

GEN-2015-032-Tulia-115

Cimarron - Minco 345kV CKT 1 Replace 1600 amp switches.	Current Study	\$493,405	\$1,000,000
GEN-2015-032-Tulia-115 Interconnection Costs See One-Line Diagram.	Current Study	\$6,000,000	\$6,000,000
Happy Interchange - Palo Duro 115kV CKT2 Build second 115kV circuit from Happy Interchange to Palo Duro .	Current Study	\$17,857,500	\$17,857,500

* Withdrawal of higher queued projects will cause a restudy and may result in higher costs

Interconnection Request and Upgrades	Upgrade Type	Allocated Cost	Upgrade Cost
Kress - Tulia Tap 115kV CKT2 Build second 115kV circuit from Kress to Tulia Tap.	Current Study	\$7,785,000	\$7,785,000
Palo Duro - Randall 115kV CKT2 Build second 115kV circuit from Palo Duro to Randall .	Current Study	\$10,222,500	\$10,222,500
Tulia Tap - Happy Interchange 115kV CKT2 Build second 115kV circuit from Tulia Tap to Happy Interchange.	Current Study	\$5,602,500	\$5,602,500
Border - Chisholm 345kV CKT 2 Build approximately 25 miles of second circuit 345kV from Border - Chisholm	Previously Allocated		\$25,000,000
Border 345kV Reactive Power Support Install 200Mvar Capacitor Bank(s) and +200Mvar SVC at Border Substation.	Previously Allocated		\$30,000,000
Canyon East - Randall 115kV line CKT 1 Per SPP-NTC-200262 (Total Project E&C Cost Shown).	Previously Allocated		\$13,609,088
Chaves County - Price - CV Pines - Capitan 115kV CKT 1 NRIS only required upgrade: Per HPILs SPP-NTC-200256 (Total Project E&C Cost Shown)	Previously Allocated		\$14,275,000
Chisholm - Elk City 230kV CKT 1 Rebuild approximately 15 miles of 230kV from Chisholm - Elk City.	Previously Allocated		\$15,000,000
Chisholm - Gracemont 345kV CKT 1 Per SPP-NTC-200255 and 200240 (Total Project E&C Cost Shown)	Previously Allocated		\$162,952,357
Chisholm Substation Upgrade 345kV Expand planned Chisholm Substation to tap and terminate Woodward - Border 345kV into the Chisholm Substation.	Previously Allocated		\$12,000,000
Clinton Junction - Elk City 138kV CKT 1 Replace terminal equipment	Previously Allocated		\$500,000
Cunningham Station - Maddox Station 115kV CKT 1 NRIS only required upgrade: Rebuild approximately 3 miles of 115kV line.	Previously Allocated		\$1,914,000
Eddy County 230kV NRIS only required upgrade: Per 2013-AG3-AFS-6.	Previously Allocated		\$9,485,379
Elk City 230/138/13kV Transformer CKT 1 Replace terminal equipment for Elk City Transformer to achieve transformer limit of 450MVA.	Previously Allocated		\$15,000,000
Grapevine - Chisholm 345kV CKT 1 Build approximately 75 miles of new 345kV from Grapevine - Chisholm.	Previously Allocated		\$75,000,000
Grapevine Substation Upgrade 345kV Build Grapevine Substation and terminate Beaver Co - Grapevine, Potter Co - Grapevine, Grapevine - Chisholm 345kV into the Grapevine Substation.	Previously Allocated		\$12,000,000

* Withdrawal of higher queued projects will cause a restudy and may result in higher costs

Interconnection Request and Upgrades	Upgrade Type	Allocated Cost	Upgrade Cost
LES - GEN-2014-057 Tap - Sunnyside 345kV CKT 1 Replace terminal equipment	Previously Allocated		\$250,000
Oklaunion 345kV Reactive Power Support Install 110Mvar Capacitor Bank(s) and +50Mvar/-50Mvar SVC at Oklaunion.	Previously Allocated		\$25,000,000
Oklaunion 345kV Reactive Power Support Incremental Upgrade Install additional +100Mvar SVC at Oklaunion.	Previously Allocated		\$20,000,000
Pleasant Hill - Potter County 345kV CKT 1 Build approximately 125 miles of 345kV from Pleasant Hill - Potter County	Previously Allocated		\$125,000,000
Pleasant Hill 345/230/13kV Tranformer CKT 1 Build 345/230/13kV transformer at Pleasant Hill	Previously Allocated		\$15,000,000
Potter County - Grapevine 345kV CKT 1 Build approximately 65 miles of new 345kV from Potter County - Grapevine.	Previously Allocated		\$65,000,000
Potter County Interchange 345/230/13kV Transformer CKT 2 Build second 345/230/13kV transformer at Potter County	Previously Allocated		\$15,000,000
Randall - South Georgia & Osage Station line re-termination Per SPP-NTC-20130 (Total Project E&C Cost Shown).	Previously Allocated		\$1,680,000
Tolk - Pleasant Hill 345kV CKT 1 Build approximately 50 miles of 345kV from Tolk - Pleasant Hill	Previously Allocated		\$50,000,000
TUCO 2 - Border 345kV CKT 2 Build approximately 194 miles of second circuit 345kV from TUCO 2 - Border	Previously Allocated		\$194,000,000
TUCO 2 - Yoakum 345kV Retermination Incremental Upgrade for SPP-NTC-200283 to reterminate TUCO terminal to TUCO 2 terminal by adding approximately 3 miles of 345kV	Previously Allocated		\$5,000,000
TUCO 2 Substation Upgrade 345/230kV Tap Border-TUCO approximately 2 miles from TUCO and build TUCO 2 345kV substation and add 345/230/13.2kV transformer and tie on TUCO-Swisher 230kV.	Previously Allocated		\$18,000,000
	Current Study Total		\$47,960,905
TOTAL CURRENT STUDY COSTS:			\$51,467,500

* Withdrawal of higher queued projects will cause a restudy and may result in higher costs

F: Cost Allocation per Proposed Study Network Upgrade

Important Note:

****WITHDRAWAL OF HIGHER QUEUED PROJECTS WILL CAUSE A RESTUDY
AND MAY RESULT IN HIGHER INTERCONNECTION COSTS****

This section shows each Direct Assigned Facility and Network Upgrade and the Generator Interconnection Request Customer(s) which have an impact in this study assuming all higher queued projects remain in the queue and achieve commercial operation.

The required interconnection costs listed do not include all costs associated with the deliverability of the energy to final customers. These costs are determined by separate studies if the Customer submits a Transmission Service Request through SPP's Open Access Same Time Information System (OASIS) as required by Attachment Z1 of the SPP OATT. In addition, costs associated with a short circuit analysis will be allocated should the Interconnection Request Customer choose to execute a Facility Study Agreement.

There may be additional costs allocated to each Customer. See Appendix E for more details.

Appendix F. Analysis 1 Cost Allocation by Upgrade

Cimarron - Minco 345kV CKT 1 \$1,000,000

Replace 1600 amp switches.

GEN-2015-031-Swisher-115 \$1,000,000

Total Allocated Costs **\$1,000,000**

GEN-2015-031-Swisher-115 Interconnection Costs \$6,000,000

See One-Line Diagram.

GEN-2015-031-Swisher-115 \$6,000,000

Total Allocated Costs **\$6,000,000**

GEN-2015-032-Newhart-230 Interconnection Costs \$3,000,000

See One-Line Diagram.

GEN-2015-032-Newhart-230 \$3,000,000

Total Allocated Costs **\$3,000,000**

Swisher - Kress 115kV CKT1 \$6,000,000

Rebuild 3 miles of 115kV from Swisher to Kress.

GEN-2015-031-Swisher-115 \$3,000,000

Total Allocated Costs **\$12,000,000**

Swisher 230/115/13.2kV Transformer CKT2 \$5,000,000

Build Swisher 230/115/13.2kV transformer CKT 2 at Swisher substation.

GEN-2015-031-Swisher-115 \$5,000,000

Total Allocated Costs **\$5,000,000**

* Withdrawal of higher queued projects will cause a restudy and may result in higher costs

Appendix F. Analysis 2 Cost Allocation by Upgrade

Cimarron - Minco 345kV CKT 1		\$1,000,000
Replace 1600 amp switches.		
	GEN-2015-031-Swisher-115	\$504,770
	GEN-2015-032-Tulia-115	\$495,230
	Total Allocated Costs	\$1,000,000
GEN-2015-031-Swisher-115 Interconnection Costs		\$6,000,000
See One-Line Diagram.		
	GEN-2015-031-Swisher-115	\$6,000,000
	Total Allocated Costs	\$6,000,000
GEN-2015-032-Tulia-115 Interconnection Costs		\$6,000,000
See One-Line Diagram.		
	GEN-2015-032-Tulia-115	\$6,000,000
	Total Allocated Costs	\$6,000,000
Happy Interchange - Palo Duro 115kV CKT2		\$17,857,500
Build second 115kV circuit from Happy Interchange to Palo Duro .		
	GEN-2015-032-Tulia-115	\$17,857,500
	Total Allocated Costs	\$17,857,500
Kress - Tulia Tap 115kV CKT2		\$7,785,000
Build second 115kV circuit from Kress to Tulia Tap.		
	GEN-2015-032-Tulia-115	\$7,785,000
	Total Allocated Costs	\$7,785,000
Palo Duro - Randall 115kV CKT2		\$10,222,500
Build second 115kV circuit from Palo Duro to Randall .		
	GEN-2015-032-Tulia-115	\$10,222,500
	Total Allocated Costs	\$10,222,500
Swisher - Kress 115kV CKT1		\$6,000,000
Rebuild 3 miles of 115kV from Swisher to Kress.		
	GEN-2015-031-Swisher-115	\$3,481,078
	GEN-2015-032-Tulia-115	\$2,518,922
	Total Allocated Costs	\$6,000,000

* Withdrawal of higher queued projects will cause a restudy and may result in higher costs

Swisher 230/115/13.2kV Transformer CKT2**\$5,000,000**

Build Swisher 230/115/13.2kV transformer CKT 2 at Swisher substation.

GEN-2015-031-Swisher-115 \$3,090,022

GEN-2015-032-Tulia-115 \$1,909,978

Total Allocated Costs \$5,000,000**Tulia Tap - Happy Interchange 115kV CKT2****\$5,602,500**

Build second 115kV circuit from Tulia Tap to Happy Interchange.

GEN-2015-032-Tulia-115 \$5,602,500

Total Allocated Costs \$5,602,500

* Withdrawal of higher queued projects will cause a restudy and may result in higher costs

Appendix F. Analysis 3 Cost Allocation by Upgrade

Cimarron - Minco 345kV CKT 1		\$1,000,000
Replace 1600 amp switches.		
	GEN-2015-031-Swisher-230	\$505,058
	GEN-2015-032-Newhart-230	\$494,942
	Total Allocated Costs	\$1,000,000
GEN-2015-031-Swisher-230 Interconnection Costs		\$3,000,000
See One-Line Diagram.		
	GEN-2015-031-Swisher-230	\$3,000,000
	Total Allocated Costs	\$3,000,000
GEN-2015-032-Newhart-230 Interconnection Costs		\$3,000,000
See One-Line Diagram.		
	GEN-2015-032-Newhart-230	\$3,000,000
	Total Allocated Costs	\$3,000,000
TUCO_2 345/230/13.2kV Transformer CKT2		\$15,000,000
Build TUCO 345/230/13.2kV transformer CKT 2 at TUCO 2 substation.		
	GEN-2015-031-Swisher-230	\$15,000,000
	Total Allocated Costs	\$15,000,000

* Withdrawal of higher queued projects will cause a restudy and may result in higher costs

Appendix F. Analysis 4 Cost Allocation by Upgrade

Cimarron - Minco 345kV CKT 1		\$1,000,000
Replace 1600 amp switches.		
	GEN-2015-031-Swisher-230	\$506,595
	GEN-2015-032-Tulia-115	\$493,405
	Total Allocated Costs	\$1,000,000
GEN-2015-031-Swisher-230 Interconnection Costs		\$3,000,000
See One-Line Diagram.		
	GEN-2015-031-Swisher-230	\$3,000,000
	Total Allocated Costs	\$3,000,000
GEN-2015-032-Tulia-115 Interconnection Costs		\$6,000,000
See One-Line Diagram.		
	GEN-2015-032-Tulia-115	\$6,000,000
	Total Allocated Costs	\$6,000,000
Happy Interchange - Palo Duro 115kV CKT2		\$17,857,500
Build second 115kV circuit from Happy Interchange to Palo Duro .		
	GEN-2015-032-Tulia-115	\$17,857,500
	Total Allocated Costs	\$17,857,500
Kress - Tulia Tap 115kV CKT2		\$7,785,000
Build second 115kV circuit from Kress to Tulia Tap.		
	GEN-2015-032-Tulia-115	\$7,785,000
	Total Allocated Costs	\$7,785,000
Palo Duro - Randall 115kV CKT2		\$10,222,500
Build second 115kV circuit from Palo Duro to Randall .		
	GEN-2015-032-Tulia-115	\$10,222,500
	Total Allocated Costs	\$10,222,500
Tulia Tap - Happy Interchange 115kV CKT2		\$5,602,500
Build second 115kV circuit from Tulia Tap to Happy Interchange.		
	GEN-2015-032-Tulia-115	\$5,602,500
	Total Allocated Costs	\$5,602,500

* Withdrawal of higher queued projects will cause a restudy and may result in higher costs

G: FCITC Analysis Constraints Requiring Transmission Reinforcement

SEASON	GROUP	SCENARIO	DIRECTION	SOURCE	MONITORED ELEMENT	RATE		CONTINGENCY	
						(MVA)	TDF	LOADING %	CONTINGENCY
15G	06ALL	0	TO->FROM	G15_031_115	CIMARRON - MINCO 345KV CKT 1	953.6	0.22347	110.0281	G14-057T 345.00 - SUNNYSIDE 345KV CKT 1
15G	06ALL	0	TO->FROM	G15_031_115	CIMARRON - MINCO 345KV CKT 1	953.6	0.22347	107.784	G14-057T 345.00 - LAWTON EASTSIDE 345KV CKT 1
15SP	06ALL	0	TO->FROM	G15_031_115	CIMARRON - MINCO 345KV CKT 1	955.4	0.22617	102.8275	G14-057T 345.00 - SUNNYSIDE 345KV CKT 1
15WP	06ALL	0	TO->FROM	G15_031_115	CIMARRON - MINCO 345KV CKT 1	955.4	0.22617	102.8275	G14-057T 345.00 - SUNNYSIDE 345KV CKT 1
20SP	06ALL	0	TO->FROM	G15_031_115	CIMARRON - MINCO 345KV CKT 1	955.4	0.22617	102.8275	G14-057T 345.00 - SUNNYSIDE 345KV CKT 1
15SP	06ALL	0	TO->FROM	G15_031_115	CIMARRON - MINCO 345KV CKT 1	955.4	0.22617	100.5248	G14-057T 345.00 - LAWTON EASTSIDE 345KV CKT 1
15WP	06ALL	0	TO->FROM	G15_031_115	CIMARRON - MINCO 345KV CKT 1	955.4	0.22617	100.5248	G14-057T 345.00 - LAWTON EASTSIDE 345KV CKT 1
20SP	06ALL	0	TO->FROM	G15_031_115	CIMARRON - MINCO 345KV CKT 1	955.4	0.22617	100.5248	G14-057T 345.00 - LAWTON EASTSIDE 345KV CKT 1
25SP	00NR	0	FROM->TO	G15_031_115	EDDY_NORTH 6230.00 (WAUK WT01134) 230/115/13.2KV TRANSFORMER CKT 2	285.3	0.03153	103.5608	EDDY COUNTY INTERCHANGE - EDDY_NORTH 6230.00 230KV CKT @1
25SP	00NR	0	FROM->TO	G15_031_115	EDDY_NORTH 6230.00 (WAUK WT01134) 230/115/13.2KV TRANSFORMER CKT 2	286.5	0.03153	103.0223	EDDY COUNTY INTERCHANGE - EDDY_NORTH 6230.00 230KV CKT @1
25SP	06ALL	0	TO->FROM	G15_031_115	KRESS INTERCHANGE - SWISHER COUNTY INTERCHANGE 115KV CKT 1	232.4	1	176.463	SWISHER COUNTY INTERCHANGE (UPDATE LATER) 230/115/13.2KV TRANSFORMER CKT 1
20WP	06ALL	0	TO->FROM	G15_031_115	KRESS INTERCHANGE - SWISHER COUNTY INTERCHANGE 115KV CKT 1	234.7	1	174.8189	SWISHER COUNTY INTERCHANGE (UPDATE LATER) 230/115/13.2KV TRANSFORMER CKT 1
15SP	06ALL	0	TO->FROM	G15_031_115	KRESS INTERCHANGE - SWISHER COUNTY INTERCHANGE 115KV CKT 1	236.8	1	173.3108	SWISHER COUNTY INTERCHANGE (UPDATE LATER) 230/115/13.2KV TRANSFORMER CKT 1
15WP	06ALL	0	TO->FROM	G15_031_115	KRESS INTERCHANGE - SWISHER COUNTY INTERCHANGE 115KV CKT 1	236.8	1	173.3108	SWISHER COUNTY INTERCHANGE (UPDATE LATER) 230/115/13.2KV TRANSFORMER CKT 1
20SP	06ALL	0	TO->FROM	G15_031_115	KRESS INTERCHANGE - SWISHER COUNTY INTERCHANGE 115KV CKT 1	236.8	1	173.3108	SWISHER COUNTY INTERCHANGE (UPDATE LATER) 230/115/13.2KV TRANSFORMER CKT 1
20SP	00NR	0	TO->FROM	G15_031_115	KRESS INTERCHANGE - SWISHER COUNTY INTERCHANGE 115KV CKT 1	236.7	1	173.2995	SWISHER COUNTY INTERCHANGE (UPDATE LATER) 230/115/13.2KV TRANSFORMER CKT 1
15SP	00NR	0	TO->FROM	G15_031_115	KRESS INTERCHANGE - SWISHER COUNTY INTERCHANGE 115KV CKT 1	238.3	1	172.1779	SWISHER COUNTY INTERCHANGE (UPDATE LATER) 230/115/13.2KV TRANSFORMER CKT 1
15G	06ALL	0	TO->FROM	G15_031_115	KRESS INTERCHANGE - SWISHER COUNTY INTERCHANGE 115KV CKT 1	238.8	1	171.943	SWISHER COUNTY INTERCHANGE (GE M101686) 230/115/13.2KV TRANSFORMER CKT 1
15G	06NR	0	TO->FROM	G15_031_115	KRESS INTERCHANGE - SWISHER COUNTY INTERCHANGE 115KV CKT 1	239	1	171.7992	SWISHER COUNTY INTERCHANGE (GE M101686) 230/115/13.2KV TRANSFORMER CKT 1
25SP	00NR	0	TO->FROM	G15_031_115	KRESS INTERCHANGE - SWISHER COUNTY INTERCHANGE 115KV CKT 1	212	0.57292	160.4132	BASE CASE
15WP	00NR	0	TO->FROM	G15_031_115	KRESS INTERCHANGE - SWISHER COUNTY INTERCHANGE 115KV CKT 1	263.5	1	155.8254	SWISHER COUNTY INTERCHANGE (UPDATE LATER) 230/115/13.2KV TRANSFORMER CKT 1
20WP	00NR	0	TO->FROM	G15_031_115	KRESS INTERCHANGE - SWISHER COUNTY INTERCHANGE 115KV CKT 1	263.8	1	155.6482	SWISHER COUNTY INTERCHANGE (UPDATE LATER) 230/115/13.2KV TRANSFORMER CKT 1
25SP	00NR	0	TO->FROM	G15_031_115	KRESS INTERCHANGE - SWISHER COUNTY INTERCHANGE 115KV CKT 1	233.5	0.6113	154.5139	SWISHER COUNTY INTERCHANGE - TUCO_2 230.00 230KV CKT 1
25SP	06ALL	0	TO->FROM	G15_031_115	KRESS INTERCHANGE - SWISHER COUNTY INTERCHANGE 115KV CKT 1	210.8	0.56701	154.2012	BASE CASE
25SP	06ALL	0	TO->FROM	G15_031_115	KRESS INTERCHANGE - SWISHER COUNTY INTERCHANGE 115KV CKT 1	232.4	0.59002	150.068	AMARILLO SOUTH INTERCHANGE - SWISHER COUNTY INTERCHANGE 230KV CKT 1
25SP	00NR	0	TO->FROM	G15_031_115	KRESS INTERCHANGE - SWISHER COUNTY INTERCHANGE 115KV CKT 1	233.5	0.56822	149.236	PLANT X STATION (WH ALM20171) 230/115/13.2KV TRANSFORMER CKT 1
25SP	00NR	0	TO->FROM	G15_031_115	KRESS INTERCHANGE - SWISHER COUNTY INTERCHANGE 115KV CKT 1	233.5	0.57098	149.2052	TUCO INTERCHANGE (GE M102345) 230/115/13.2KV TRANSFORMER CKT 1
25SP	00NR	0	TO->FROM	G15_031_115	KRESS INTERCHANGE - SWISHER COUNTY INTERCHANGE 115KV CKT 1	233.5	0.57805	149.1713	TUCO INTERCHANGE - TUCO_2 230.00 230KV CKT 1
25SP	00NR	0	TO->FROM	G15_031_115	KRESS INTERCHANGE - SWISHER COUNTY INTERCHANGE 115KV CKT 1	233.5	0.57111	148.9649	TUCO INTERCHANGE (ENRCO 136401) 230/115/13.2KV TRANSFORMER CKT 2
20SP	00NR	0	TO->FROM	G15_031_115	KRESS INTERCHANGE - SWISHER COUNTY INTERCHANGE 115KV CKT 1	215.5	0.57455	148.3364	BASE CASE
25SP	00NR	0	TO->FROM	G15_031_115	KRESS INTERCHANGE - SWISHER COUNTY INTERCHANGE 115KV CKT 1	233.5	0.52936	148.3118	PALO DURO SUB - RANDALL COUNTY INTERCHANGE 115KV CKT 1
25SP	00NR	0	TO->FROM	G15_031_115	KRESS INTERCHANGE - SWISHER COUNTY INTERCHANGE 115KV CKT 1	233.5	0.57426	148.1276	JONES STATION - TUCO INTERCHANGE 230KV CKT 1
25SP	00NR	0	TO->FROM	G15_031_115	KRESS INTERCHANGE - SWISHER COUNTY INTERCHANGE 115KV CKT 1	233.5	0.56574	147.9323	NEWHART 230 (UPDATE LATER) 230/115/13.2KV TRANSFORMER CKT 2
25SP	00NR	0	TO->FROM	G15_031_115	KRESS INTERCHANGE - SWISHER COUNTY INTERCHANGE 115KV CKT 1	233.5	0.56574	147.9323	NEWHART 230 (WAUK WT01105) 230/115/13.2KV TRANSFORMER CKT 1
25SP	00NR	0	TO->FROM	G15_031_115	KRESS INTERCHANGE - SWISHER COUNTY INTERCHANGE 115KV CKT 1	233.5	0.56788	147.9075	FLOYD COUNTY INTERCHANGE - TUCO INTERCHANGE 115KV CKT 1
25SP	00NR	0	TO->FROM	G15_031_115	KRESS INTERCHANGE - SWISHER COUNTY INTERCHANGE 115KV CKT 1	233.5	0.57292	147.8364	TOLK STATION WEST 230/24.0KV TRANSFORMER CKT 1
25SP	00NR	0	TO->FROM	G15_031_115	KRESS INTERCHANGE - SWISHER COUNTY INTERCHANGE 115KV CKT 1	233.5	0.52936	147.7979	HAPPY INTERCHANGE - PALO DURO SUB 115KV CKT 1
25SP	00NR	0	TO->FROM	G15_031_115	KRESS INTERCHANGE - SWISHER COUNTY INTERCHANGE 115KV CKT 1	233.5	0.52936	147.7979	SPP-SWPS-T66
25SP	00NR	0	TO->FROM	G15_031_115	KRESS INTERCHANGE - SWISHER COUNTY INTERCHANGE 115KV CKT 1	233.5	0.57292	147.7974	TOLK STATION EAST 230/24.0KV TRANSFORMER CKT 1
25SP	00NR	0	TO->FROM	G15_031_115	KRESS INTERCHANGE - SWISHER COUNTY INTERCHANGE 115KV CKT 1	233.5	0.57454	147.4355	TUCO_2 345.00 - YOAKUM_345 345.00 345KV CKT 1
25SP	00NR	0	TO->FROM	G15_031_115	KRESS INTERCHANGE - SWISHER COUNTY INTERCHANGE 115KV CKT 1	233.5	0.57365	147.4068	CARLISLE INTERCHANGE - TUCO INTERCHANGE 230KV CKT 1
25SP	00NR	0	TO->FROM	G15_031_115	KRESS INTERCHANGE - SWISHER COUNTY INTERCHANGE 115KV CKT 1	233.5	0.57254	147.0929	LAMB COUNTY INTERCHANGE - TOLK STATION WEST 230KV CKT 1
25SP	00NR	0	TO->FROM	G15_031_115	KRESS INTERCHANGE - SWISHER COUNTY INTERCHANGE 115KV CKT 1	233.5	0.56539	146.6026	HALE CO INTERCHANGE - PLANT X STATION 115KV CKT 1
20WP	06ALL	0	TO->FROM	G15_031_115	KRESS INTERCHANGE - SWISHER COUNTY INTERCHANGE 115KV CKT 1	213.2	0.56703	145.7636	BASE CASE
20WP	06ALL	0	TO->FROM	G15_031_115	KRESS INTERCHANGE - SWISHER COUNTY INTERCHANGE 115KV CKT 1	234.7	0.58992	144.311	AMARILLO SOUTH INTERCHANGE - SWISHER COUNTY INTERCHANGE 230KV CKT 1
25SP	06ALL	0	TO->FROM	G15_031_115	KRESS INTERCHANGE - SWISHER COUNTY INTERCHANGE 115KV CKT 1	232.4	0.56311	143.9871	PLANT X STATION (WH ALM20171) 230/115/13.2KV TRANSFORMER CKT 1
25SP	06ALL	0	TO->FROM	G15_031_115	KRESS INTERCHANGE - SWISHER COUNTY INTERCHANGE 115KV CKT 1	232.4	0.55938	142.6747	NEWHART 230 (UPDATE LATER) 230/115/13.2KV TRANSFORMER CKT 2
25SP	06ALL	0	TO->FROM	G15_031_115	KRESS INTERCHANGE - SWISHER COUNTY INTERCHANGE 115KV CKT 1	232.4	0.55938	142.6747	NEWHART 230 (WAUK WT01105) 230/115/13.2KV TRANSFORMER CKT 1
25SP	06ALL	0	TO->FROM	G15_031_115	KRESS INTERCHANGE - SWISHER COUNTY INTERCHANGE 115KV CKT 1	232.4	0.56701	142.4079	G11_025_1 115.00 115/34.5KV TRANSFORMER CKT 1
25SP	06ALL	0	TO->FROM	G15_031_115	KRESS INTERCHANGE - SWISHER COUNTY INTERCHANGE 115KV CKT 1	232.4	0.56701	142.4079	G11_025_2 34.500 34.5/0.69KV TRANSFORMER CKT 1
25SP	06ALL	0	TO->FROM	G15_031_115	KRESS INTERCHANGE - SWISHER COUNTY INTERCHANGE 115KV CKT 1	232.4	0.56701	142.4079	G11_025T 115.00 - G11_025_1 115.00 115KV CKT 1
25SP	06ALL	0	TO->FROM	G15_031_115	KRESS INTERCHANGE - SWISHER COUNTY INTERCHANGE 115KV CKT 1	232.4	0.56418	142.3219	TUCO INTERCHANGE (GE M102345) 230/115/13.2KV TRANSFORMER CKT 1
25SP	06ALL	0	TO->FROM	G15_031_115	KRESS INTERCHANGE - SWISHER COUNTY INTERCHANGE 115KV CKT 1	232.4	0.56701	142.2048	TOLK STATION WEST 230/24.0KV TRANSFORMER CKT 1
25SP	06ALL	0	TO->FROM	G15_031_115	KRESS INTERCHANGE - SWISHER COUNTY INTERCHANGE 115KV CKT 1	232.4	0.56437	142.1403	TUCO INTERCHANGE (ENRCO 136401) 230/115/13.2KV TRANSFORMER CKT 2
15SP	00NR	0	TO->FROM	G15_031_115	KRESS INTERCHANGE - SWISHER COUNTY INTERCHANGE 115KV CKT 1	217.2	0.57397	141.8467	BASE CASE
25SP	06ALL	0	TO->FROM	G15_031_115	KRESS INTERCHANGE - SWISHER COUNTY INTERCHANGE 115KV CKT 1	232.4	0.56701	141.7418	TOLK STATION EAST 230/24.0KV TRANSFORMER CKT 1
25SP	06ALL	0	TO->FROM	G15_031_115	KRESS INTERCHANGE - SWISHER COUNTY INTERCHANGE 115KV CKT 1	232.4	0.56439	141.7057	FLOYD COUNTY INTERCHANGE - G11_025T 115.00 115KV CKT 1
25SP	06ALL	0	TO->FROM	G15_031_115	KRESS INTERCHANGE - SWISHER COUNTY INTERCHANGE 115KV CKT 1	232.4	0.56061	141.5232	HALE CO INTERCHANGE - PLANT X STATION 115KV CKT 1
25SP	00NR	0	TO->FROM	G15_031_115	KRESS INTERCHANGE - SWISHER COUNTY INTERCHANGE 115KV CKT 1	233.5	0.4801	141.2976	KRESS INTERCHANGE - NEWHART 115KV CKT 1
25SP	06ALL	0	TO->FROM	G15_031_115	KRESS INTERCHANGE - SWISHER COUNTY INTERCHANGE 115KV CKT 1	232.4	0.56671	141.2831	LAMB COUNTY INTERCHANGE - TOLK STATION WEST 230KV CKT 1
25SP	06ALL	0	TO->FROM	G15_031_115	KRESS INTERCHANGE - SWISHER COUNTY INTERCHANGE 115KV CKT 1	232.4	0.56701	141.2685	PLANT X STATION 115/13.8KV TRANSFORMER CKT 1
25SP	06ALL	0	TO->FROM	G15_031_115	KRESS INTERCHANGE - SWISHER COUNTY INTERCHANGE 115KV CKT 1	232.4	0.56671	141.2401	LAMB COUNTY INTERCHANGE (WH ALM20172) 230/115/13.2KV TRANSFORMER CKT 1
15SP	06ALL	0	TO->FROM	G15_031_115	KRESS INTERCHANGE - SWISHER COUNTY INTERCHANGE 115KV CKT 1	236.8	0.58976	139.2821	AMARILLO SOUTH INTERCHANGE - SWISHER COUNTY INTERCHANGE 230KV CKT 1
15WP	06ALL	0	TO->FROM	G15_031_115	KRESS INTERCHANGE - SWISHER COUNTY INTERCHANGE 115KV CKT 1	236.8	0.58976	139.2821	AMARILLO SOUTH INTERCHANGE - SWISHER COUNTY INTERCHANGE 230KV CKT 1
20SP	06ALL	0	TO->FROM	G15_031_115	KRESS INTERCHANGE - SWISHER COUNTY INTERCHANGE 115KV CKT 1	236.8	0.58976	139.2821	AMARILLO SOUTH INTERCHANGE - SWISHER COUNTY INTERCHANGE 230KV CKT 1

SEASON	GROUP	SCENARIO	DIRECTION	SOURCE	MONITORED ELEMENT	RATE		CONTINGENCY	
						(MVA)	TDF	LOADING %	CONTINGENCY
20SP	00NR	0	TO->FROM	G15_031_115	KRESS INTERCHANGE - SWISHER COUNTY INTERCHANGE 115KV CKT 1	236.7	0.61569	138.8285	SWISHER COUNTY INTERCHANGE - TUCO_2 230.00 230KV CKT 1
25SP	06ALL	0	TO->FROM	G15_031_115	KRESS INTERCHANGE - SWISHER COUNTY INTERCHANGE 115KV CKT 1	232.4	0.4757	138.6145	KRESS INTERCHANGE - NEWHART 115KV CKT 1
15SP	06ALL	0	TO->FROM	G15_031_115	KRESS INTERCHANGE - SWISHER COUNTY INTERCHANGE 115KV CKT 1	215.6	0.56687	138.1187	BASE CASE
15WP	06ALL	0	TO->FROM	G15_031_115	KRESS INTERCHANGE - SWISHER COUNTY INTERCHANGE 115KV CKT 1	215.6	0.56687	138.1187	BASE CASE
20SP	06ALL	0	TO->FROM	G15_031_115	KRESS INTERCHANGE - SWISHER COUNTY INTERCHANGE 115KV CKT 1	215.6	0.56687	138.1187	BASE CASE
20SP	00NR	0	TO->FROM	G15_031_115	KRESS INTERCHANGE - SWISHER COUNTY INTERCHANGE 115KV CKT 1	236.7	0.5727	137.6468	TUCO INTERCHANGE (GE M102345) 230/115/13.2KV TRANSFORMER CKT 1
20SP	00NR	0	TO->FROM	G15_031_115	KRESS INTERCHANGE - SWISHER COUNTY INTERCHANGE 115KV CKT 1	236.7	0.59168	137.6443	AMARILLO SOUTH INTERCHANGE - SWISHER COUNTY INTERCHANGE 230KV CKT 1
20SP	00NR	0	TO->FROM	G15_031_115	KRESS INTERCHANGE - SWISHER COUNTY INTERCHANGE 115KV CKT 1	236.7	0.57282	137.493	TUCO INTERCHANGE (ENRCO 136401) 230/115/13.2KV TRANSFORMER CKT 2
20SP	00NR	0	TO->FROM	G15_031_115	KRESS INTERCHANGE - SWISHER COUNTY INTERCHANGE 115KV CKT 1	236.7	0.57068	137.0528	PLANT X STATION (WH ALM20171) 230/115/13.2KV TRANSFORMER CKT 1
20SP	00NR	0	TO->FROM	G15_031_115	KRESS INTERCHANGE - SWISHER COUNTY INTERCHANGE 115KV CKT 1	236.7	0.56945	136.9814	FLOYD COUNTY INTERCHANGE - TUCO INTERCHANGE 115KV CKT 1
20SP	00NR	0	TO->FROM	G15_031_115	KRESS INTERCHANGE - SWISHER COUNTY INTERCHANGE 115KV CKT 1	236.7	0.57455	136.5868	TOLK STATION WEST 230/24.0KV TRANSFORMER CKT 1
20SP	00NR	0	TO->FROM	G15_031_115	KRESS INTERCHANGE - SWISHER COUNTY INTERCHANGE 115KV CKT 1	236.7	0.57455	136.4778	TOLK STATION EAST 230/24.0KV TRANSFORMER CKT 1
20SP	00NR	0	TO->FROM	G15_031_115	KRESS INTERCHANGE - SWISHER COUNTY INTERCHANGE 115KV CKT 1	236.7	0.56764	136.414	NEWHART 230 (UPDATE LATER) 230/115/13.2KV TRANSFORMER CKT 2
20SP	00NR	0	TO->FROM	G15_031_115	KRESS INTERCHANGE - SWISHER COUNTY INTERCHANGE 115KV CKT 1	236.7	0.56764	136.414	NEWHART 230 (WAUK W01105) 230/115/13.2KV TRANSFORMER CKT 1
20SP	00NR	0	TO->FROM	G15_031_115	KRESS INTERCHANGE - SWISHER COUNTY INTERCHANGE 115KV CKT 1	236.7	0.56673	136.2564	HALE CO INTERCHANGE - PLANT X STATION 115KV CKT 1
20SP	00NR	0	TO->FROM	G15_031_115	KRESS INTERCHANGE - SWISHER COUNTY INTERCHANGE 115KV CKT 1	236.7	0.57124	136.2366	CROSBY COUNTY INTERCHANGE - LUBBOCK EAST INTERCHANGE 115KV CKT 1
20WP	06ALL	0	TO->FROM	G15_031_115	KRESS INTERCHANGE - SWISHER COUNTY INTERCHANGE 115KV CKT 1	234.7	0.56314	136.0622	PLANT X STATION (WH ALM20171) 230/115/13.2KV TRANSFORMER CKT 1
20SP	00NR	0	TO->FROM	G15_031_115	KRESS INTERCHANGE - SWISHER COUNTY INTERCHANGE 115KV CKT 1	236.7	0.56967	135.7841	SPP-SWPS-25
20SP	00NR	0	TO->FROM	G15_031_115	KRESS INTERCHANGE - SWISHER COUNTY INTERCHANGE 115KV CKT 1	236.7	0.56967	135.7841	SPP-SWPS-T28
20WP	06ALL	0	TO->FROM	G15_031_115	KRESS INTERCHANGE - SWISHER COUNTY INTERCHANGE 115KV CKT 1	234.7	0.56703	134.9246	G11_025_2 34.500 34.5/0.69KV TRANSFORMER CKT 1
20WP	06ALL	0	TO->FROM	G15_031_115	KRESS INTERCHANGE - SWISHER COUNTY INTERCHANGE 115KV CKT 1	234.7	0.56703	134.882	G11_025_1 115.00 115/34.5KV TRANSFORMER CKT 1
20WP	06ALL	0	TO->FROM	G15_031_115	KRESS INTERCHANGE - SWISHER COUNTY INTERCHANGE 115KV CKT 1	234.7	0.56703	134.882	G11_025T 115.00 - G11_025_1 115.00 115KV CKT 1
20WP	06ALL	0	TO->FROM	G15_031_115	KRESS INTERCHANGE - SWISHER COUNTY INTERCHANGE 115KV CKT 1	234.7	0.56703	134.6783	TOLK STATION WEST 230/24.0KV TRANSFORMER CKT 1
20WP	06ALL	0	TO->FROM	G15_031_115	KRESS INTERCHANGE - SWISHER COUNTY INTERCHANGE 115KV CKT 1	234.7	0.5644	134.6528	FLOYD COUNTY INTERCHANGE - G11_025T 115.00 115KV CKT 1
20WP	06ALL	0	TO->FROM	G15_031_115	KRESS INTERCHANGE - SWISHER COUNTY INTERCHANGE 115KV CKT 1	234.7	0.55941	134.6374	NEWHART 230 (UPDATE LATER) 230/115/13.2KV TRANSFORMER CKT 2
20WP	06ALL	0	TO->FROM	G15_031_115	KRESS INTERCHANGE - SWISHER COUNTY INTERCHANGE 115KV CKT 1	234.7	0.55941	134.6374	NEWHART 230 (WAUK W01105) 230/115/13.2KV TRANSFORMER CKT 1
15SP	00NR	0	TO->FROM	G15_031_115	KRESS INTERCHANGE - SWISHER COUNTY INTERCHANGE 115KV CKT 1	238.3	0.59072	134.585	AMARILLO SOUTH INTERCHANGE - SWISHER COUNTY INTERCHANGE 230KV CKT 1
20WP	06ALL	0	TO->FROM	G15_031_115	KRESS INTERCHANGE - SWISHER COUNTY INTERCHANGE 115KV CKT 1	234.7	0.5696	134.1508	NEWHART 230 - POTTER COUNTY INTERCHANGE 230KV CKT 1
20WP	06ALL	0	TO->FROM	G15_031_115	KRESS INTERCHANGE - SWISHER COUNTY INTERCHANGE 115KV CKT 1	234.7	0.5642	134.115	TUCO INTERCHANGE (GE M102345) 230/115/13.2KV TRANSFORMER CKT 1
20WP	06ALL	0	TO->FROM	G15_031_115	KRESS INTERCHANGE - SWISHER COUNTY INTERCHANGE 115KV CKT 1	234.7	0.56439	133.9779	TUCO INTERCHANGE (ENRCO 136401) 230/115/13.2KV TRANSFORMER CKT 2
20WP	06ALL	0	TO->FROM	G15_031_115	KRESS INTERCHANGE - SWISHER COUNTY INTERCHANGE 115KV CKT 1	234.7	0.56063	133.9634	HALE CO INTERCHANGE - PLANT X STATION 115KV CKT 1
20WP	06ALL	0	TO->FROM	G15_031_115	KRESS INTERCHANGE - SWISHER COUNTY INTERCHANGE 115KV CKT 1	234.7	0.56703	133.9293	TOLK STATION EAST 230/24.0KV TRANSFORMER CKT 1
20WP	06ALL	0	TO->FROM	G15_031_115	KRESS INTERCHANGE - SWISHER COUNTY INTERCHANGE 115KV CKT 1	234.7	0.56703	133.7938	PLANT X STATION 115/13.8KV TRANSFORMER CKT 1
20WP	06ALL	0	TO->FROM	G15_031_115	KRESS INTERCHANGE - SWISHER COUNTY INTERCHANGE 115KV CKT 1	234.7	0.56331	133.3643	SPP-SWPS-T28
20SP	00NR	0	TO->FROM	G15_031_115	KRESS INTERCHANGE - SWISHER COUNTY INTERCHANGE 115KV CKT 1	236.7	0.53282	132.9725	PALO DURO SUB - RANDALL COUNTY INTERCHANGE 115KV CKT 1
20SP	00NR	0	TO->FROM	G15_031_115	KRESS INTERCHANGE - SWISHER COUNTY INTERCHANGE 115KV CKT 1	236.7	0.53282	132.5923	SPP-SWPS-T66
15SP	00NR	0	TO->FROM	G15_031_115	KRESS INTERCHANGE - SWISHER COUNTY INTERCHANGE 115KV CKT 1	238.3	0.56914	132.4138	PLANT X STATION (WH ALM20171) 230/115/13.2KV TRANSFORMER CKT 1
15SP	00NR	0	TO->FROM	G15_031_115	KRESS INTERCHANGE - SWISHER COUNTY INTERCHANGE 115KV CKT 1	238.3	0.61539	131.6479	SWISHER COUNTY INTERCHANGE - TUCO_2 230.00 230KV CKT 1
15SP	00NR	0	TO->FROM	G15_031_115	KRESS INTERCHANGE - SWISHER COUNTY INTERCHANGE 115KV CKT 1	238.3	0.57219	131.4129	TUCO INTERCHANGE (GE M102345) 230/115/13.2KV TRANSFORMER CKT 1
15SP	00NR	0	TO->FROM	G15_031_115	KRESS INTERCHANGE - SWISHER COUNTY INTERCHANGE 115KV CKT 1	238.3	0.5723	131.2589	TUCO INTERCHANGE (ENRCO 136401) 230/115/13.2KV TRANSFORMER CKT 2
15SP	00NR	0	TO->FROM	G15_031_115	KRESS INTERCHANGE - SWISHER COUNTY INTERCHANGE 115KV CKT 1	238.3	0.56849	130.9052	FLOYD COUNTY INTERCHANGE - TUCO INTERCHANGE 115KV CKT 1
15SP	00NR	0	TO->FROM	G15_031_115	KRESS INTERCHANGE - SWISHER COUNTY INTERCHANGE 115KV CKT 1	238.3	0.57397	130.8716	TOLK STATION EAST 230/24.0KV TRANSFORMER CKT 1
15SP	00NR	0	TO->FROM	G15_031_115	KRESS INTERCHANGE - SWISHER COUNTY INTERCHANGE 115KV CKT 1	238.3	0.57397	130.7608	TOLK STATION WEST 230/24.0KV TRANSFORMER CKT 1
20WP	06ALL	0	TO->FROM	G15_031_115	KRESS INTERCHANGE - SWISHER COUNTY INTERCHANGE 115KV CKT 1	234.7	0.47575	130.6246	KRESS INTERCHANGE - NEWHART 115KV CKT 1
15SP	00NR	0	TO->FROM	G15_031_115	KRESS INTERCHANGE - SWISHER COUNTY INTERCHANGE 115KV CKT 1	238.3	0.57084	130.3617	CROSBY COUNTY INTERCHANGE - LUBBOCK EAST INTERCHANGE 115KV CKT 1
15SP	00NR	0	TO->FROM	G15_031_115	KRESS INTERCHANGE - SWISHER COUNTY INTERCHANGE 115KV CKT 1	238.3	0.56635	130.3	HALE CO INTERCHANGE - PLANT X STATION 115KV CKT 1
15SP	00NR	0	TO->FROM	G15_031_115	KRESS INTERCHANGE - SWISHER COUNTY INTERCHANGE 115KV CKT 1	238.3	0.56693	130.2472	NEWHART 230 (UPDATE LATER) 230/115/13.2KV TRANSFORMER CKT 2
15SP	00NR	0	TO->FROM	G15_031_115	KRESS INTERCHANGE - SWISHER COUNTY INTERCHANGE 115KV CKT 1	238.3	0.56693	130.2472	NEWHART 230 (WAUK W01105) 230/115/13.2KV TRANSFORMER CKT 1
20SP	00NR	0	TO->FROM	G15_031_115	KRESS INTERCHANGE - SWISHER COUNTY INTERCHANGE 115KV CKT 1	236.7	0.48187	129.8103	KRESS INTERCHANGE - NEWHART 115KV CKT 1
15SP	06ALL	0	TO->FROM	G15_031_115	KRESS INTERCHANGE - SWISHER COUNTY INTERCHANGE 115KV CKT 1	236.8	0.56288	129.3598	PLANT X STATION (WH ALM20171) 230/115/13.2KV TRANSFORMER CKT 1
15WP	06ALL	0	TO->FROM	G15_031_115	KRESS INTERCHANGE - SWISHER COUNTY INTERCHANGE 115KV CKT 1	236.8	0.56288	129.3598	PLANT X STATION (WH ALM20171) 230/115/13.2KV TRANSFORMER CKT 1
15SP	06ALL	0	TO->FROM	G15_031_115	KRESS INTERCHANGE - SWISHER COUNTY INTERCHANGE 115KV CKT 1	236.8	0.56687	128.2027	G11_025_1 115.00 115/34.5KV TRANSFORMER CKT 1
15SP	06ALL	0	TO->FROM	G15_031_115	KRESS INTERCHANGE - SWISHER COUNTY INTERCHANGE 115KV CKT 1	236.8	0.56687	128.2027	G11_025_2 34.500 34.5/0.69KV TRANSFORMER CKT 1
15SP	06ALL	0	TO->FROM	G15_031_115	KRESS INTERCHANGE - SWISHER COUNTY INTERCHANGE 115KV CKT 1	236.8	0.56687	128.2027	G11_025T 115.00 - G11_025_1 115.00 115KV CKT 1
15WP	06ALL	0	TO->FROM	G15_031_115	KRESS INTERCHANGE - SWISHER COUNTY INTERCHANGE 115KV CKT 1	236.8	0.56687	128.2027	G11_025_1 115.00 115/34.5KV TRANSFORMER CKT 1
15WP	06ALL	0	TO->FROM	G15_031_115	KRESS INTERCHANGE - SWISHER COUNTY INTERCHANGE 115KV CKT 1	236.8	0.56687	128.2027	G11_025_2 34.500 34.5/0.69KV TRANSFORMER CKT 1
15WP	06ALL	0	TO->FROM	G15_031_115	KRESS INTERCHANGE - SWISHER COUNTY INTERCHANGE 115KV CKT 1	236.8	0.56687	128.2027	G11_025T 115.00 - G11_025_1 115.00 115KV CKT 1
20SP	06ALL	0	TO->FROM	G15_031_115	KRESS INTERCHANGE - SWISHER COUNTY INTERCHANGE 115KV CKT 1	236.8	0.56687	128.2027	G11_025_1 115.00 115/34.5KV TRANSFORMER CKT 1
20SP	06ALL	0	TO->FROM	G15_031_115	KRESS INTERCHANGE - SWISHER COUNTY INTERCHANGE 115KV CKT 1	236.8	0.56687	128.2027	G11_025_2 34.500 34.5/0.69KV TRANSFORMER CKT 1
20SP	06ALL	0	TO->FROM	G15_031_115	KRESS INTERCHANGE - SWISHER COUNTY INTERCHANGE 115KV CKT 1	236.8	0.56687	128.2027	G11_025T 115.00 - G11_025_1 115.00 115KV CKT 1
15SP	06ALL	0	TO->FROM	G15_031_115	KRESS INTERCHANGE - SWISHER COUNTY INTERCHANGE 115KV CKT 1	236.8	0.56687	128.0405	TOLK STATION WEST 230/24.0KV TRANSFORMER CKT 1
15WP	06ALL	0	TO->FROM	G15_031_115	KRESS INTERCHANGE - SWISHER COUNTY INTERCHANGE 115KV CKT 1	236.8	0.56687	128.0405	TOLK STATION WEST 230/24.0KV TRANSFORMER CKT 1
20SP	06ALL	0	TO->FROM	G15_031_115	KRESS INTERCHANGE - SWISHER COUNTY INTERCHANGE 115KV CKT 1	236.8	0.56687	128.0405	TOLK STATION WEST 230/24.0KV TRANSFORMER CKT 1
15SP	00NR	0	TO->FROM	G15_031_115	KRESS INTERCHANGE - SWISHER COUNTY INTERCHANGE 115KV CKT 1	238.3	0.57397	127.9022	AIKEN RURAL SUB - COX INTERCHANGE 69KV CKT 1

SEASON	GROUP	SCENARIO	DIRECTION	SOURCE	MONITORED ELEMENT	RATE	CONTINGENCY		CONTINGENCY
						(MVA)	TDF	LOADING %	
15SP	06ALL	0	TO->FROM	G15_031_115	KRESS INTERCHANGE - SWISHER COUNTY INTERCHANGE 115KV CKT 1	236.8	0.56943	127.8159	NEWHART 230 - POTTER COUNTY INTERCHANGE 230KV CKT 1
15WP	06ALL	0	TO->FROM	G15_031_115	KRESS INTERCHANGE - SWISHER COUNTY INTERCHANGE 115KV CKT 1	236.8	0.56943	127.8159	NEWHART 230 - POTTER COUNTY INTERCHANGE 230KV CKT 1
20SP	06ALL	0	TO->FROM	G15_031_115	KRESS INTERCHANGE - SWISHER COUNTY INTERCHANGE 115KV CKT 1	236.8	0.56943	127.8159	NEWHART 230 - POTTER COUNTY INTERCHANGE 230KV CKT 1
15SP	06ALL	0	TO->FROM	G15_031_115	KRESS INTERCHANGE - SWISHER COUNTY INTERCHANGE 115KV CKT 1	236.8	0.56443	127.7576	FLOYD COUNTY INTERCHANGE - G11_025T 115.00 115KV CKT 1
15WP	06ALL	0	TO->FROM	G15_031_115	KRESS INTERCHANGE - SWISHER COUNTY INTERCHANGE 115KV CKT 1	236.8	0.56443	127.7576	FLOYD COUNTY INTERCHANGE - G11_025T 115.00 115KV CKT 1
20SP	06ALL	0	TO->FROM	G15_031_115	KRESS INTERCHANGE - SWISHER COUNTY INTERCHANGE 115KV CKT 1	236.8	0.56443	127.7576	FLOYD COUNTY INTERCHANGE - G11_025T 115.00 115KV CKT 1
15SP	00NR	0	TO->FROM	G15_031_115	KRESS INTERCHANGE - SWISHER COUNTY INTERCHANGE 115KV CKT 1	238.3	0.57397	127.6504	PLAINVIEW CTY - WEST PLAINVIEW SUB 69KV CKT 1
15SP	00NR	0	TO->FROM	G15_031_115	KRESS INTERCHANGE - SWISHER COUNTY INTERCHANGE 115KV CKT 1	238.3	0.55453	127.637	HALE CO INTERCHANGE - TUCO INTERCHANGE 115KV CKT 1
15SP	06ALL	0	TO->FROM	G15_031_115	KRESS INTERCHANGE - SWISHER COUNTY INTERCHANGE 115KV CKT 1	236.8	0.56048	127.6351	HALE CO INTERCHANGE - PLANT X STATION 115KV CKT 1
15WP	06ALL	0	TO->FROM	G15_031_115	KRESS INTERCHANGE - SWISHER COUNTY INTERCHANGE 115KV CKT 1	236.8	0.56048	127.6351	HALE CO INTERCHANGE - PLANT X STATION 115KV CKT 1
20SP	06ALL	0	TO->FROM	G15_031_115	KRESS INTERCHANGE - SWISHER COUNTY INTERCHANGE 115KV CKT 1	236.8	0.56048	127.6351	HALE CO INTERCHANGE - PLANT X STATION 115KV CKT 1
15SP	00NR	0	TO->FROM	G15_031_115	KRESS INTERCHANGE - SWISHER COUNTY INTERCHANGE 115KV CKT 1	238.3	0.57397	127.5245	KISER 3115.00 (VON 13818/2) 115/69/13.2KV TRANSFORMER CKT 1
15SP	06ALL	0	TO->FROM	G15_031_115	KRESS INTERCHANGE - SWISHER COUNTY INTERCHANGE 115KV CKT 1	236.8	0.55923	127.451	NEWHART 230 (UPDATE LATER) 230/115/13.2KV TRANSFORMER CKT 2
15SP	06ALL	0	TO->FROM	G15_031_115	KRESS INTERCHANGE - SWISHER COUNTY INTERCHANGE 115KV CKT 1	236.8	0.55923	127.451	NEWHART 230 (WPAUK WT01105) 230/115/13.2KV TRANSFORMER CKT 1
15WP	06ALL	0	TO->FROM	G15_031_115	KRESS INTERCHANGE - SWISHER COUNTY INTERCHANGE 115KV CKT 1	236.8	0.55923	127.451	NEWHART 230 (UPDATE LATER) 230/115/13.2KV TRANSFORMER CKT 2
15WP	06ALL	0	TO->FROM	G15_031_115	KRESS INTERCHANGE - SWISHER COUNTY INTERCHANGE 115KV CKT 1	236.8	0.55923	127.451	NEWHART 230 (WPAUK WT01105) 230/115/13.2KV TRANSFORMER CKT 1
20SP	06ALL	0	TO->FROM	G15_031_115	KRESS INTERCHANGE - SWISHER COUNTY INTERCHANGE 115KV CKT 1	236.8	0.55923	127.451	NEWHART 230 (UPDATE LATER) 230/115/13.2KV TRANSFORMER CKT 2
20SP	06ALL	0	TO->FROM	G15_031_115	KRESS INTERCHANGE - SWISHER COUNTY INTERCHANGE 115KV CKT 1	236.8	0.55923	127.451	NEWHART 230 (WPAUK WT01105) 230/115/13.2KV TRANSFORMER CKT 1
15SP	06ALL	0	TO->FROM	G15_031_115	KRESS INTERCHANGE - SWISHER COUNTY INTERCHANGE 115KV CKT 1	236.8	0.56687	127.1242	PLANT X STATION 115/13.8KV TRANSFORMER CKT 1
15WP	06ALL	0	TO->FROM	G15_031_115	KRESS INTERCHANGE - SWISHER COUNTY INTERCHANGE 115KV CKT 1	236.8	0.56687	127.1242	PLANT X STATION 115/13.8KV TRANSFORMER CKT 1
20SP	06ALL	0	TO->FROM	G15_031_115	KRESS INTERCHANGE - SWISHER COUNTY INTERCHANGE 115KV CKT 1	236.8	0.56687	127.1242	PLANT X STATION 115/13.8KV TRANSFORMER CKT 1
15SP	06ALL	0	TO->FROM	G15_031_115	KRESS INTERCHANGE - SWISHER COUNTY INTERCHANGE 115KV CKT 1	236.8	0.56405	127.1047	TUCO INTERCHANGE (GE M102345) 230/115/13.2KV TRANSFORMER CKT 1
15WP	06ALL	0	TO->FROM	G15_031_115	KRESS INTERCHANGE - SWISHER COUNTY INTERCHANGE 115KV CKT 1	236.8	0.56405	127.1047	TUCO INTERCHANGE (GE M102345) 230/115/13.2KV TRANSFORMER CKT 1
20SP	06ALL	0	TO->FROM	G15_031_115	KRESS INTERCHANGE - SWISHER COUNTY INTERCHANGE 115KV CKT 1	236.8	0.56405	127.1047	TUCO INTERCHANGE (GE M102345) 230/115/13.2KV TRANSFORMER CKT 1
15SP	06ALL	0	TO->FROM	G15_031_115	KRESS INTERCHANGE - SWISHER COUNTY INTERCHANGE 115KV CKT 1	236.8	0.56316	126.9544	SPP-SWPS-25
15SP	06ALL	0	TO->FROM	G15_031_115	KRESS INTERCHANGE - SWISHER COUNTY INTERCHANGE 115KV CKT 1	236.8	0.56316	126.9544	SPP-SWPS-T28
15WP	06ALL	0	TO->FROM	G15_031_115	KRESS INTERCHANGE - SWISHER COUNTY INTERCHANGE 115KV CKT 1	236.8	0.56316	126.9544	SPP-SWPS-25
15WP	06ALL	0	TO->FROM	G15_031_115	KRESS INTERCHANGE - SWISHER COUNTY INTERCHANGE 115KV CKT 1	236.8	0.56316	126.9544	SPP-SWPS-T28
20SP	06ALL	0	TO->FROM	G15_031_115	KRESS INTERCHANGE - SWISHER COUNTY INTERCHANGE 115KV CKT 1	236.8	0.56316	126.9544	SPP-SWPS-25
20SP	06ALL	0	TO->FROM	G15_031_115	KRESS INTERCHANGE - SWISHER COUNTY INTERCHANGE 115KV CKT 1	236.8	0.56316	126.9544	SPP-SWPS-T28
15G	06ALL	0	TO->FROM	G15_031_115	KRESS INTERCHANGE - SWISHER COUNTY INTERCHANGE 115KV CKT 1	238.8	0.5827	125.624	AMARILLO SOUTH INTERCHANGE - SWISHER COUNTY INTERCHANGE 230KV CKT 1
15G	06ALL	0	TO->FROM	G15_031_115	KRESS INTERCHANGE - SWISHER COUNTY INTERCHANGE 115KV CKT 1	217.8	0.55947	124.5693	BASE CASE
15SP	06ALL	0	TO->FROM	G15_031_115	KRESS INTERCHANGE - SWISHER COUNTY INTERCHANGE 115KV CKT 1	236.8	0.47554	124.1073	KRESS INTERCHANGE - NEWHART 115KV CKT 1
15WP	06ALL	0	TO->FROM	G15_031_115	KRESS INTERCHANGE - SWISHER COUNTY INTERCHANGE 115KV CKT 1	236.8	0.47554	124.1073	KRESS INTERCHANGE - NEWHART 115KV CKT 1
20SP	06ALL	0	TO->FROM	G15_031_115	KRESS INTERCHANGE - SWISHER COUNTY INTERCHANGE 115KV CKT 1	236.8	0.47554	124.1073	KRESS INTERCHANGE - NEWHART 115KV CKT 1
15SP	00NR	0	TO->FROM	G15_031_115	KRESS INTERCHANGE - SWISHER COUNTY INTERCHANGE 115KV CKT 1	238.3	0.48108	123.8036	KRESS INTERCHANGE - NEWHART 115KV CKT 1
15G	06NR	0	TO->FROM	G15_031_115	KRESS INTERCHANGE - SWISHER COUNTY INTERCHANGE 115KV CKT 1	218	0.56553	122.917	BASE CASE
15G	06ALL	0	TO->FROM	G15_031_115	KRESS INTERCHANGE - SWISHER COUNTY INTERCHANGE 115KV CKT 1	238.8	0.60057	121.33	SWISHER COUNTY INTERCHANGE - TUCO_2 230.00 230KV CKT 1
15G	06NR	0	TO->FROM	G15_031_115	KRESS INTERCHANGE - SWISHER COUNTY INTERCHANGE 115KV CKT 1	239	0.58476	120.472	AMARILLO SOUTH INTERCHANGE - SWISHER COUNTY INTERCHANGE 230KV CKT 1
15G	06ALL	0	TO->FROM	G15_031_115	KRESS INTERCHANGE - SWISHER COUNTY INTERCHANGE 115KV CKT 1	238.8	0.52604	116.9112	NEWHART 230 (WPAUK WT01105) 230/115/13.2KV TRANSFORMER CKT 1
15G	06ALL	0	TO->FROM	G15_031_115	KRESS INTERCHANGE - SWISHER COUNTY INTERCHANGE 115KV CKT 1	238.8	0.56347	116.7747	NEWHART 230 - POTTER COUNTY INTERCHANGE 230KV CKT 1
15G	06ALL	0	TO->FROM	G15_031_115	KRESS INTERCHANGE - SWISHER COUNTY INTERCHANGE 115KV CKT 1	238.8	0.55425	116.3978	PLANT X STATION (WH ALM20171) 230/115/13.2KV TRANSFORMER CKT 1
15G	06NR	0	TO->FROM	G15_031_115	KRESS INTERCHANGE - SWISHER COUNTY INTERCHANGE 115KV CKT 1	239	0.60619	116.3	SWISHER COUNTY INTERCHANGE - TUCO_2 230.00 230KV CKT 1
15G	06ALL	0	TO->FROM	G15_031_115	KRESS INTERCHANGE - SWISHER COUNTY INTERCHANGE 115KV CKT 1	238.8	0.55947	116.2111	G11_025_1 115.00 115/34.5KV TRANSFORMER CKT 1
15G	06ALL	0	TO->FROM	G15_031_115	KRESS INTERCHANGE - SWISHER COUNTY INTERCHANGE 115KV CKT 1	238.8	0.55947	116.2111	G11_025_2 34.500 34.5/0.69KV TRANSFORMER CKT 1
15G	06ALL	0	TO->FROM	G15_031_115	KRESS INTERCHANGE - SWISHER COUNTY INTERCHANGE 115KV CKT 1	238.8	0.55947	116.1692	G11_025T 115.00 - G11_025_1 115.00 115KV CKT 1
15G	06ALL	0	TO->FROM	G15_031_115	KRESS INTERCHANGE - SWISHER COUNTY INTERCHANGE 115KV CKT 1	238.8	0.55686	115.9146	FLOYD COUNTY INTERCHANGE - G11_025T 115.00 115KV CKT 1
15G	06NR	0	TO->FROM	G15_031_115	KRESS INTERCHANGE - SWISHER COUNTY INTERCHANGE 115KV CKT 1	239	0.55911	115.1602	PLANT X STATION (WH ALM20171) 230/115/13.2KV TRANSFORMER CKT 1
15G	06ALL	0	TO->FROM	G15_031_115	KRESS INTERCHANGE - SWISHER COUNTY INTERCHANGE 115KV CKT 1	238.8	0.55947	115.0804	CASTRO COUNTY INTERCHANGE - G14_040_1 115.00 115KV CKT 1
15G	06ALL	0	TO->FROM	G15_031_115	KRESS INTERCHANGE - SWISHER COUNTY INTERCHANGE 115KV CKT 1	238.8	0.55947	115.0804	G14_040_2 34.500 34.5/0.69KV TRANSFORMER CKT 1
15G	06ALL	0	TO->FROM	G15_031_115	KRESS INTERCHANGE - SWISHER COUNTY INTERCHANGE 115KV CKT 1	238.8	0.56068	114.9087	TUCO_2 345.00 (TUCO_2 XFMR) 345/230/13.2KV TRANSFORMER CKT 1
15G	06NR	0	TO->FROM	G15_031_115	KRESS INTERCHANGE - SWISHER COUNTY INTERCHANGE 115KV CKT 1	239	0.56553	114.3812	TOLK STATION EAST 230/24.0KV TRANSFORMER CKT 1
15G	06ALL	0	TO->FROM	G15_031_115	KRESS INTERCHANGE - SWISHER COUNTY INTERCHANGE 115KV CKT 1	238.8	0.55296	114.3526	HALE CO INTERCHANGE - PLANT X STATION 115KV CKT 1
15G	06NR	0	TO->FROM	G15_031_115	KRESS INTERCHANGE - SWISHER COUNTY INTERCHANGE 115KV CKT 1	239	0.56553	114.2088	G11_025_2 34.500 34.5/0.69KV TRANSFORMER CKT 1
15G	06ALL	0	TO->FROM	G15_031_115	KRESS INTERCHANGE - SWISHER COUNTY INTERCHANGE 115KV CKT 1	238.8	0.55473	114.1876	SPP-SWPS-25
15G	06ALL	0	TO->FROM	G15_031_115	KRESS INTERCHANGE - SWISHER COUNTY INTERCHANGE 115KV CKT 1	238.8	0.55473	114.1876	SPP-SWPS-T28
15G	06NR	0	TO->FROM	G15_031_115	KRESS INTERCHANGE - SWISHER COUNTY INTERCHANGE 115KV CKT 1	239	0.56553	114.167	G11_025_1 115.00 115/34.5KV TRANSFORMER CKT 1
15G	06NR	0	TO->FROM	G15_031_115	KRESS INTERCHANGE - SWISHER COUNTY INTERCHANGE 115KV CKT 1	239	0.56553	114.167	G11_025T 115.00 - G11_025_1 115.00 115KV CKT 1
15G	06NR	0	TO->FROM	G15_031_115	KRESS INTERCHANGE - SWISHER COUNTY INTERCHANGE 115KV CKT 1	239	0.56814	113.9506	NEWHART 230 - POTTER COUNTY INTERCHANGE 230KV CKT 1
15G	06NR	0	TO->FROM	G15_031_115	KRESS INTERCHANGE - SWISHER COUNTY INTERCHANGE 115KV CKT 1	239	0.5623	113.7615	FLOYD COUNTY INTERCHANGE - G11_025T 115.00 115KV CKT 1
15G	06NR	0	TO->FROM	G15_031_115	KRESS INTERCHANGE - SWISHER COUNTY INTERCHANGE 115KV CKT 1	239	0.56553	113.5812	CASTRO COUNTY INTERCHANGE - G14_040_1 115.00 115KV CKT 1
15G	06NR	0	TO->FROM	G15_031_115	KRESS INTERCHANGE - SWISHER COUNTY INTERCHANGE 115KV CKT 1	239	0.56553	113.5812	G14_040_2 34.500 34.5/0.69KV TRANSFORMER CKT 1
15G	06ALL	0	TO->FROM	G15_031_115	KRESS INTERCHANGE - SWISHER COUNTY INTERCHANGE 115KV CKT 1	238.8	0.5426	113.3442	COX INTERCHANGE - FLOYD COUNTY INTERCHANGE 115KV CKT 1
15G	06NR	0	TO->FROM	G15_031_115	KRESS INTERCHANGE - SWISHER COUNTY INTERCHANGE 115KV CKT 1	239	0.55809	112.9402	HALE CO INTERCHANGE - PLANT X STATION 115KV CKT 1
15G	06NR	0	TO->FROM	G15_031_115	KRESS INTERCHANGE - SWISHER COUNTY INTERCHANGE 115KV CKT 1	239	0.55993	112.8782	SPP-SWPS-25

SEASON	GROUP	SCENARIO	DIRECTION	SOURCE	MONITORED ELEMENT	RATE		CONTINGENCY	
						(MVA)	TDF	LOADING %	CONTINGENCY
15G	06NR	0	TO->FROM	G15_031_115	KRESS INTERCHANGE - SWISHER COUNTY INTERCHANGE 115KV CKT 1	239	0.55993	112.8782	SPP-SWPS-T28
15G	06ALL	0	TO->FROM	G15_031_115	KRESS INTERCHANGE - SWISHER COUNTY INTERCHANGE 115KV CKT 1	238.8	0.55331	112.3191	FLOYD COUNTY INTERCHANGE - TUO INTERCHANGE 115KV CKT 1
15G	06NR	0	TO->FROM	G15_031_115	KRESS INTERCHANGE - SWISHER COUNTY INTERCHANGE 115KV CKT 1	239	0.54796	111.3757	COX INTERCHANGE - FLOYD COUNTY INTERCHANGE 115KV CKT 1
15G	06NR	0	TO->FROM	G15_031_115	KRESS INTERCHANGE - SWISHER COUNTY INTERCHANGE 115KV CKT 1	239	0.56277	110.8498	SPP-SWPS-T04
20WP	00NR	0	TO->FROM	G15_031_115	KRESS INTERCHANGE - SWISHER COUNTY INTERCHANGE 115KV CKT 1	248.8	0.57417	103.9192	BASE CASE
20WP	00NR	0	TO->FROM	G15_031_115	KRESS INTERCHANGE - SWISHER COUNTY INTERCHANGE 115KV CKT 1	263.8	0.59077	103.5751	AMARILLO SOUTH INTERCHANGE - SWISHER COUNTY INTERCHANGE 230KV CKT 1
15WP	00NR	0	TO->FROM	G15_031_115	KRESS INTERCHANGE - SWISHER COUNTY INTERCHANGE 115KV CKT 1	263.5	0.58952	103.1712	AMARILLO SOUTH INTERCHANGE - SWISHER COUNTY INTERCHANGE 230KV CKT 1
15WP	00NR	0	TO->FROM	G15_031_115	KRESS INTERCHANGE - SWISHER COUNTY INTERCHANGE 115KV CKT 1	248.5	0.57446	102.5505	BASE CASE
20WP	00NR	0	TO->FROM	G15_031_115	KRESS INTERCHANGE - SWISHER COUNTY INTERCHANGE 115KV CKT 1	263.8	0.61686	102.3723	SWISHER COUNTY INTERCHANGE - TUO_2 230.00 230KV CKT 1
15WP	00NR	0	TO->FROM	G15_031_115	KRESS INTERCHANGE - SWISHER COUNTY INTERCHANGE 115KV CKT 1	263.5	0.61585	100.9696	SWISHER COUNTY INTERCHANGE - TUO_2 230.00 230KV CKT 1
15G	06ALL	0	FROM->TO	G15_031_115	SWISHER COUNTY INTERCHANGE (GE M101686) 230/115/13.2KV TRANSFORMER CKT 1	145.8	1	281.5501	KRESS INTERCHANGE - SWISHER COUNTY INTERCHANGE 115KV CKT 1
15G	06ALL	0	FROM->TO	G15_031_115	SWISHER COUNTY INTERCHANGE (GE M101686) 230/115/13.2KV TRANSFORMER CKT 1	146.1	1	281.0404	KRESS INTERCHANGE - SWISHER COUNTY INTERCHANGE 115KV CKT 1
15G	06NR	0	FROM->TO	G15_031_115	SWISHER COUNTY INTERCHANGE (GE M101686) 230/115/13.2KV TRANSFORMER CKT 1	146.9	1	279.4418	KRESS INTERCHANGE - SWISHER COUNTY INTERCHANGE 115KV CKT 1
15G	06NR	0	FROM->TO	G15_031_115	SWISHER COUNTY INTERCHANGE (GE M101686) 230/115/13.2KV TRANSFORMER CKT 1	147.1	1	279.1299	KRESS INTERCHANGE - SWISHER COUNTY INTERCHANGE 115KV CKT 1
15G	06ALL	0	FROM->TO	G15_031_115	SWISHER COUNTY INTERCHANGE (GE M101686) 230/115/13.2KV TRANSFORMER CKT 1	145.8	0.48965	124.7421	KRESS INTERCHANGE - TULIA TAP 115KV CKT 1
15G	06ALL	0	FROM->TO	G15_031_115	SWISHER COUNTY INTERCHANGE (GE M101686) 230/115/13.2KV TRANSFORMER CKT 1	145.8	0.48965	124.6735	SPP-SWPS-T67
15G	06ALL	0	FROM->TO	G15_031_115	SWISHER COUNTY INTERCHANGE (GE M101686) 230/115/13.2KV TRANSFORMER CKT 1	146.1	0.48965	124.486	KRESS INTERCHANGE - TULIA TAP 115KV CKT 1
15G	06ALL	0	FROM->TO	G15_031_115	SWISHER COUNTY INTERCHANGE (GE M101686) 230/115/13.2KV TRANSFORMER CKT 1	146.1	0.48965	124.486	SPP-SWPS-T67
15G	06ALL	0	FROM->TO	G15_031_115	SWISHER COUNTY INTERCHANGE (GE M101686) 230/115/13.2KV TRANSFORMER CKT 1	145.8	0.48965	123.439	HAPPY INTERCHANGE - TULIA TAP 115KV CKT 1
15G	06ALL	0	FROM->TO	G15_031_115	SWISHER COUNTY INTERCHANGE (GE M101686) 230/115/13.2KV TRANSFORMER CKT 1	146.1	0.48965	123.2539	HAPPY INTERCHANGE - TULIA TAP 115KV CKT 1
15G	06NR	0	FROM->TO	G15_031_115	SWISHER COUNTY INTERCHANGE (GE M101686) 230/115/13.2KV TRANSFORMER CKT 1	146.9	0.48002	121.7876	KRESS INTERCHANGE - TULIA TAP 115KV CKT 1
15G	06NR	0	FROM->TO	G15_031_115	SWISHER COUNTY INTERCHANGE (GE M101686) 230/115/13.2KV TRANSFORMER CKT 1	146.9	0.48002	121.7195	SPP-SWPS-T67
15G	06NR	0	FROM->TO	G15_031_115	SWISHER COUNTY INTERCHANGE (GE M101686) 230/115/13.2KV TRANSFORMER CKT 1	147.1	0.48002	121.622	KRESS INTERCHANGE - TULIA TAP 115KV CKT 1
15G	06NR	0	FROM->TO	G15_031_115	SWISHER COUNTY INTERCHANGE (GE M101686) 230/115/13.2KV TRANSFORMER CKT 1	147.1	0.48002	121.622	SPP-SWPS-T67
15G	06NR	0	FROM->TO	G15_031_115	SWISHER COUNTY INTERCHANGE (GE M101686) 230/115/13.2KV TRANSFORMER CKT 1	146.9	0.48002	120.4942	HAPPY INTERCHANGE - TULIA TAP 115KV CKT 1
15G	06NR	0	FROM->TO	G15_031_115	SWISHER COUNTY INTERCHANGE (GE M101686) 230/115/13.2KV TRANSFORMER CKT 1	147.1	0.48002	120.3984	HAPPY INTERCHANGE - TULIA TAP 115KV CKT 1
15G	06ALL	0	FROM->TO	G15_031_115	SWISHER COUNTY INTERCHANGE (GE M101686) 230/115/13.2KV TRANSFORMER CKT 1	145.8	0.41325	117.2661	NEWHART 230 - SWISHER COUNTY INTERCHANGE 230KV CKT 1
15G	06ALL	0	FROM->TO	G15_031_115	SWISHER COUNTY INTERCHANGE (GE M101686) 230/115/13.2KV TRANSFORMER CKT 1	146.1	0.41325	117.0938	NEWHART 230 - SWISHER COUNTY INTERCHANGE 230KV CKT 1
15G	06ALL	0	FROM->TO	G15_031_115	SWISHER COUNTY INTERCHANGE (GE M101686) 230/115/13.2KV TRANSFORMER CKT 1	145.8	0.48965	116.2373	HAPPY INTERCHANGE - PALO DURO SUB 115KV CKT 1
15G	06ALL	0	FROM->TO	G15_031_115	SWISHER COUNTY INTERCHANGE (GE M101686) 230/115/13.2KV TRANSFORMER CKT 1	145.8	0.48965	116.1687	SPP-SWPS-T66
15G	06ALL	0	FROM->TO	G15_031_115	SWISHER COUNTY INTERCHANGE (GE M101686) 230/115/13.2KV TRANSFORMER CKT 1	146.1	0.48965	115.9986	HAPPY INTERCHANGE - PALO DURO SUB 115KV CKT 1
15G	06ALL	0	FROM->TO	G15_031_115	SWISHER COUNTY INTERCHANGE (GE M101686) 230/115/13.2KV TRANSFORMER CKT 1	146.1	0.48965	115.9986	SPP-SWPS-T66
15G	06ALL	0	FROM->TO	G15_031_115	SWISHER COUNTY INTERCHANGE (GE M101686) 230/115/13.2KV TRANSFORMER CKT 1	145.8	0.48965	115.7572	PALO DURO SUB - RANDALL COUNTY INTERCHANGE 115KV CKT 1
15G	06ALL	0	FROM->TO	G15_031_115	SWISHER COUNTY INTERCHANGE (GE M101686) 230/115/13.2KV TRANSFORMER CKT 1	146.1	0.48965	115.588	PALO DURO SUB - RANDALL COUNTY INTERCHANGE 115KV CKT 1
15G	06NR	0	FROM->TO	G15_031_115	SWISHER COUNTY INTERCHANGE (GE M101686) 230/115/13.2KV TRANSFORMER CKT 1	146.9	0.48002	113.3465	HAPPY INTERCHANGE - PALO DURO SUB 115KV CKT 1
15G	06NR	0	FROM->TO	G15_031_115	SWISHER COUNTY INTERCHANGE (GE M101686) 230/115/13.2KV TRANSFORMER CKT 1	146.9	0.48002	113.3465	SPP-SWPS-T66
15G	06NR	0	FROM->TO	G15_031_115	SWISHER COUNTY INTERCHANGE (GE M101686) 230/115/13.2KV TRANSFORMER CKT 1	147.1	0.48002	113.2604	HAPPY INTERCHANGE - PALO DURO SUB 115KV CKT 1
15G	06NR	0	FROM->TO	G15_031_115	SWISHER COUNTY INTERCHANGE (GE M101686) 230/115/13.2KV TRANSFORMER CKT 1	147.1	0.48002	113.1924	SPP-SWPS-T66
15G	06NR	0	FROM->TO	G15_031_115	SWISHER COUNTY INTERCHANGE (GE M101686) 230/115/13.2KV TRANSFORMER CKT 1	146.9	0.48002	112.938	PALO DURO SUB - RANDALL COUNTY INTERCHANGE 115KV CKT 1
15G	06NR	0	FROM->TO	G15_031_115	SWISHER COUNTY INTERCHANGE (GE M101686) 230/115/13.2KV TRANSFORMER CKT 1	147.1	0.48002	112.7845	PALO DURO SUB - RANDALL COUNTY INTERCHANGE 115KV CKT 1
15G	06NR	0	FROM->TO	G15_031_115	SWISHER COUNTY INTERCHANGE (GE M101686) 230/115/13.2KV TRANSFORMER CKT 1	146.9	0.51959	109.855	KRESS INTERCHANGE - NEWHART 115KV CKT 1
15G	06NR	0	FROM->TO	G15_031_115	SWISHER COUNTY INTERCHANGE (GE M101686) 230/115/13.2KV TRANSFORMER CKT 1	147.1	0.51959	109.7736	KRESS INTERCHANGE - NEWHART 115KV CKT 1
15G	06NR	0	FROM->TO	G15_031_115	SWISHER COUNTY INTERCHANGE (GE M101686) 230/115/13.2KV TRANSFORMER CKT 1	146.9	0.49561	109.5868	HALE CO INTERCHANGE - KRESS INTERCHANGE 115KV CKT 1
15G	06NR	0	FROM->TO	G15_031_115	SWISHER COUNTY INTERCHANGE (GE M101686) 230/115/13.2KV TRANSFORMER CKT 1	147.1	0.49561	109.5058	HALE CO INTERCHANGE - KRESS INTERCHANGE 115KV CKT 1
15G	06ALL	0	FROM->TO	G15_031_115	SWISHER COUNTY INTERCHANGE (GE M101686) 230/115/13.2KV TRANSFORMER CKT 1	145.8	0.49907	108.2935	HALE CO INTERCHANGE - KRESS INTERCHANGE 115KV CKT 1
15G	06ALL	0	FROM->TO	G15_031_115	SWISHER COUNTY INTERCHANGE (GE M101686) 230/115/13.2KV TRANSFORMER CKT 1	146.1	0.49907	108.1396	HALE CO INTERCHANGE - KRESS INTERCHANGE 115KV CKT 1
15G	06NR	0	FROM->TO	G15_031_115	SWISHER COUNTY INTERCHANGE (GE M101686) 230/115/13.2KV TRANSFORMER CKT 1	146.9	0.43447	106.4949	KRESS INTERCHANGE (ENRCO 136155) 115/69/13.2KV TRANSFORMER CKT 1
15G	06NR	0	FROM->TO	G15_031_115	SWISHER COUNTY INTERCHANGE (GE M101686) 230/115/13.2KV TRANSFORMER CKT 1	147.1	0.43447	106.4181	KRESS INTERCHANGE (ENRCO 136155) 115/69/13.2KV TRANSFORMER CKT 1
15G	06NR	0	FROM->TO	G15_031_115	SWISHER COUNTY INTERCHANGE (GE M101686) 230/115/13.2KV TRANSFORMER CKT 1	146.9	0.43447	105.4738	KRESS INTERCHANGE - SWISHER COUNTY REC-KRESS 69KV CKT Z1
15G	06NR	0	FROM->TO	G15_031_115	SWISHER COUNTY INTERCHANGE (GE M101686) 230/115/13.2KV TRANSFORMER CKT 1	147.1	0.43447	105.3984	KRESS INTERCHANGE - SWISHER COUNTY REC-KRESS 69KV CKT Z1
15G	06NR	0	FROM->TO	G15_031_115	SWISHER COUNTY INTERCHANGE (GE M101686) 230/115/13.2KV TRANSFORMER CKT 1	146.9	0.45956	105.356	KRESS INTERCHANGE - KRESS_RURAL3115.00 115KV CKT 1
15G	06NR	0	FROM->TO	G15_031_115	SWISHER COUNTY INTERCHANGE (GE M101686) 230/115/13.2KV TRANSFORMER CKT 1	147.1	0.45956	105.2808	KRESS INTERCHANGE - KRESS_RURAL3115.00 115KV CKT 1
15G	06ALL	0	FROM->TO	G15_031_115	SWISHER COUNTY INTERCHANGE (GE M101686) 230/115/13.2KV TRANSFORMER CKT 1	145.8	0.52415	105.166	KRESS INTERCHANGE - NEWHART 115KV CKT 1
15G	06ALL	0	FROM->TO	G15_031_115	SWISHER COUNTY INTERCHANGE (GE M101686) 230/115/13.2KV TRANSFORMER CKT 1	145.8	0.44053	104.9986	KRESS INTERCHANGE (ENRCO 136155) 115/69/13.2KV TRANSFORMER CKT 1
15G	06ALL	0	FROM->TO	G15_031_115	SWISHER COUNTY INTERCHANGE (GE M101686) 230/115/13.2KV TRANSFORMER CKT 1	146.1	0.52415	104.95	KRESS INTERCHANGE - NEWHART 115KV CKT 1
15G	06NR	0	FROM->TO	G15_031_115	SWISHER COUNTY INTERCHANGE (GE M101686) 230/115/13.2KV TRANSFORMER CKT 1	146.9	0.45956	104.9476	KRESS_RURAL3115.00 - N_PLAINVEW 3115.00 115KV CKT 1
15G	06NR	0	FROM->TO	G15_031_115	SWISHER COUNTY INTERCHANGE (GE M101686) 230/115/13.2KV TRANSFORMER CKT 1	147.1	0.45956	104.8729	KRESS_RURAL3115.00 - N_PLAINVEW 3115.00 115KV CKT 1
15G	06ALL	0	FROM->TO	G15_031_115	SWISHER COUNTY INTERCHANGE (GE M101686) 230/115/13.2KV TRANSFORMER CKT 1	146.1	0.44053	104.8515	KRESS INTERCHANGE (ENRCO 136155) 115/69/13.2KV TRANSFORMER CKT 1
15G	06NR	0	FROM->TO	G15_031_115	SWISHER COUNTY INTERCHANGE (GE M101686) 230/115/13.2KV TRANSFORMER CKT 1	146.9	0.45956	104.0626	KISER 3115.00 - N_PLAINVEW 3115.00 115KV CKT 1
15G	06NR	0	FROM->TO	G15_031_115	SWISHER COUNTY INTERCHANGE (GE M101686) 230/115/13.2KV TRANSFORMER CKT 1	147.1	0.45956	103.9891	KISER 3115.00 - N_PLAINVEW 3115.00 115KV CKT 1
15G	06ALL	0	FROM->TO	G15_031_115	SWISHER COUNTY INTERCHANGE (GE M101686) 230/115/13.2KV TRANSFORMER CKT 1	145.8	0.44053	103.9698	KRESS INTERCHANGE - SWISHER COUNTY REC-KRESS 69KV CKT Z1
15G	06ALL	0	FROM->TO	G15_031_115	SWISHER COUNTY INTERCHANGE (GE M101686) 230/115/13.2KV TRANSFORMER CKT 1	146.1	0.44053	103.8248	KRESS INTERCHANGE - SWISHER COUNTY REC-KRESS 69KV CKT Z1
15G	06ALL	0	FROM->TO	G15_031_115	SWISHER COUNTY INTERCHANGE (GE M101686) 230/115/13.2KV TRANSFORMER CKT 1	145.8	0.46458	103.4801	KRESS INTERCHANGE - KRESS_RURAL3115.00 115KV CKT 1
15G	06NR	0	FROM->TO	G15_031_115	SWISHER COUNTY INTERCHANGE (GE M101686) 230/115/13.2KV TRANSFORMER CKT 1	146.9	0.4248	103.4309	NEWHART 230 - PLANT X STATION 230KV CKT 1
15G	06NR	0	FROM->TO	G15_031_115	SWISHER COUNTY INTERCHANGE (GE M101686) 230/115/13.2KV TRANSFORMER CKT 1	147.1	0.4248	103.3583	NEWHART 230 - PLANT X STATION 230KV CKT 1

SEASON	GROUP	SCENARIO	DIRECTION	SOURCE	MONITORED ELEMENT	RATE (MVA)	CONTINGENCY		CONTINGENCY
							TDF	LOADING %	
15G	06ALL	0	FROM->TO	G15_031_115	SWISHER COUNTY INTERCHANGE (GE M101686) 230/115/13.2KV TRANSFORMER CKT 1	146.1	0.46458	103.2676	KRESS INTERCHANGE - KRESS_RURAL3115.00 115KV CKT 1
15G	06ALL	0	FROM->TO	G15_031_115	SWISHER COUNTY INTERCHANGE (GE M101686) 230/115/13.2KV TRANSFORMER CKT 1	145.8	0.46458	103	KRESS_RURAL3115.00 - N_PLAINVEW 3115.00 115KV CKT 1
15G	06ALL	0	FROM->TO	G15_031_115	SWISHER COUNTY INTERCHANGE (GE M101686) 230/115/13.2KV TRANSFORMER CKT 1	146.1	0.46458	102.8569	KRESS_RURAL3115.00 - N_PLAINVEW 3115.00 115KV CKT 1
15G	06ALL	0	FROM->TO	G15_031_115	SWISHER COUNTY INTERCHANGE (GE M101686) 230/115/13.2KV TRANSFORMER CKT 1	145.8	0.43803	102.6886	TUCO INTERCHANGE - TUCO_2 230.00 230KV CKT 1
15G	06ALL	0	FROM->TO	G15_031_115	SWISHER COUNTY INTERCHANGE (GE M101686) 230/115/13.2KV TRANSFORMER CKT 1	146.1	0.43803	102.4778	TUCO INTERCHANGE - TUCO_2 230.00 230KV CKT 1
15G	06NR	0	FROM->TO	G15_031_115	SWISHER COUNTY INTERCHANGE (GE M101686) 230/115/13.2KV TRANSFORMER CKT 1	146.9	0.42928	102.3717	TUCO INTERCHANGE - TUCO_2 230.00 230KV CKT 1
15G	06NR	0	FROM->TO	G15_031_115	SWISHER COUNTY INTERCHANGE (GE M101686) 230/115/13.2KV TRANSFORMER CKT 1	147.1	0.42928	102.3005	TUCO INTERCHANGE - TUCO_2 230.00 230KV CKT 1
15G	06ALL	0	FROM->TO	G15_031_115	SWISHER COUNTY INTERCHANGE (GE M101686) 230/115/13.2KV TRANSFORMER CKT 1	145.8	0.46458	102.177	KISER 3115.00 - N_PLAINVEW 3115.00 115KV CKT 1
15G	06ALL	0	FROM->TO	G15_031_115	SWISHER COUNTY INTERCHANGE (GE M101686) 230/115/13.2KV TRANSFORMER CKT 1	146.1	0.46458	101.9671	KISER 3115.00 - N_PLAINVEW 3115.00 115KV CKT 1
15G	06NR	0	FROM->TO	G15_031_115	SWISHER COUNTY INTERCHANGE (GE M101686) 230/115/13.2KV TRANSFORMER CKT 1	146.9	0.40194	101.6215	NEWHART 230 - SWISHER COUNTY INTERCHANGE 230KV CKT 1
15G	06NR	0	FROM->TO	G15_031_115	SWISHER COUNTY INTERCHANGE (GE M101686) 230/115/13.2KV TRANSFORMER CKT 1	146.9	0.45956	101.612	COX INTERCHANGE - KISER 3115.00 115KV CKT 1
15G	06NR	0	FROM->TO	G15_031_115	SWISHER COUNTY INTERCHANGE (GE M101686) 230/115/13.2KV TRANSFORMER CKT 1	147.1	0.40194	101.5513	NEWHART 230 - SWISHER COUNTY INTERCHANGE 230KV CKT 1
15G	06NR	0	FROM->TO	G15_031_115	SWISHER COUNTY INTERCHANGE (GE M101686) 230/115/13.2KV TRANSFORMER CKT 1	147.1	0.45956	101.5418	COX INTERCHANGE - KISER 3115.00 115KV CKT 1
15G	06NR	0	FROM->TO	G15_031_115	SWISHER COUNTY INTERCHANGE (GE M101686) 230/115/13.2KV TRANSFORMER CKT 1	146.9	0.43402	101.2975	PLSNT_HILL7 345.00 - POTTER COUNTY INTERCHANGE 345KV CKT 1
15G	06NR	0	FROM->TO	G15_031_115	SWISHER COUNTY INTERCHANGE (GE M101686) 230/115/13.2KV TRANSFORMER CKT 1	147.1	0.43402	101.2277	PLSNT_HILL7 345.00 - POTTER COUNTY INTERCHANGE 345KV CKT 1
15G	06ALL	0	FROM->TO	G15_031_115	SWISHER COUNTY INTERCHANGE (GE M101686) 230/115/13.2KV TRANSFORMER CKT 1	145.8	0.44192	100.9918	PLSNT_HILL7 345.00 - POTTER COUNTY INTERCHANGE 345KV CKT 1
15G	06NR	0	FROM->TO	G15_031_115	SWISHER COUNTY INTERCHANGE (GE M101686) 230/115/13.2KV TRANSFORMER CKT 1	146.9	0.45549	100.985	HALE CO INTERCHANGE - TUCO INTERCHANGE 115KV CKT 1
15G	06NR	0	FROM->TO	G15_031_115	SWISHER COUNTY INTERCHANGE (GE M101686) 230/115/13.2KV TRANSFORMER CKT 1	147.1	0.45549	100.9157	HALE CO INTERCHANGE - TUCO INTERCHANGE 115KV CKT 1
15G	06ALL	0	FROM->TO	G15_031_115	SWISHER COUNTY INTERCHANGE (GE M101686) 230/115/13.2KV TRANSFORMER CKT 1	146.1	0.44192	100.8528	PLSNT_HILL7 345.00 - POTTER COUNTY INTERCHANGE 345KV CKT 1
15G	06ALL	0	FROM->TO	G15_031_115	SWISHER COUNTY INTERCHANGE (GE M101686) 230/115/13.2KV TRANSFORMER CKT 1	145.8	0.46184	100.0741	HALE CO INTERCHANGE - TUCO INTERCHANGE 115KV CKT 1
15G	06ALL	0	FROM->TO	G15_031_115	SWISHER COUNTY INTERCHANGE (GE M101686) 230/115/13.2KV TRANSFORMER CKT 1	145.8	0.44084	100.0439	TUCO_2 345.00 - YOAKUM_345 345.00 345KV CKT 1
25SP	06ALL	0	FROM->TO	G15_031_115	SWISHER COUNTY INTERCHANGE (UPDATE LATER) 230/115/13.2KV TRANSFORMER CKT 1	236.6	1	173.246	KRESS INTERCHANGE - SWISHER COUNTY INTERCHANGE 115KV CKT 1
25SP	00NR	0	FROM->TO	G15_031_115	SWISHER COUNTY INTERCHANGE (UPDATE LATER) 230/115/13.2KV TRANSFORMER CKT 1	237.5	1	172.5474	KRESS INTERCHANGE - SWISHER COUNTY INTERCHANGE 115KV CKT 1
25SP	06ALL	0	FROM->TO	G15_031_115	SWISHER COUNTY INTERCHANGE (UPDATE LATER) 230/115/13.2KV TRANSFORMER CKT 1	238.8	1	171.7337	KRESS INTERCHANGE - SWISHER COUNTY INTERCHANGE 115KV CKT 1
20WP	06ALL	0	FROM->TO	G15_031_115	SWISHER COUNTY INTERCHANGE (UPDATE LATER) 230/115/13.2KV TRANSFORMER CKT 1	239.2	1	171.4465	KRESS INTERCHANGE - SWISHER COUNTY INTERCHANGE 115KV CKT 1
25SP	00NR	0	FROM->TO	G15_031_115	SWISHER COUNTY INTERCHANGE (UPDATE LATER) 230/115/13.2KV TRANSFORMER CKT 1	239.9	1	170.9046	KRESS INTERCHANGE - SWISHER COUNTY INTERCHANGE 115KV CKT 1
20WP	06ALL	0	FROM->TO	G15_031_115	SWISHER COUNTY INTERCHANGE (UPDATE LATER) 230/115/13.2KV TRANSFORMER CKT 1	240.6	1	170.532	KRESS INTERCHANGE - SWISHER COUNTY INTERCHANGE 115KV CKT 1
15SP	06ALL	0	FROM->TO	G15_031_115	SWISHER COUNTY INTERCHANGE (UPDATE LATER) 230/115/13.2KV TRANSFORMER CKT 1	243	1	168.8477	KRESS INTERCHANGE - SWISHER COUNTY INTERCHANGE 115KV CKT 1
15WP	06ALL	0	FROM->TO	G15_031_115	SWISHER COUNTY INTERCHANGE (UPDATE LATER) 230/115/13.2KV TRANSFORMER CKT 1	243	1	168.8477	KRESS INTERCHANGE - SWISHER COUNTY INTERCHANGE 115KV CKT 1
20SP	06ALL	0	FROM->TO	G15_031_115	SWISHER COUNTY INTERCHANGE (UPDATE LATER) 230/115/13.2KV TRANSFORMER CKT 1	243	1	168.8477	KRESS INTERCHANGE - SWISHER COUNTY INTERCHANGE 115KV CKT 1
15SP	06ALL	0	FROM->TO	G15_031_115	SWISHER COUNTY INTERCHANGE (UPDATE LATER) 230/115/13.2KV TRANSFORMER CKT 1	243.7	1	168.4038	KRESS INTERCHANGE - SWISHER COUNTY INTERCHANGE 115KV CKT 1
15WP	06ALL	0	FROM->TO	G15_031_115	SWISHER COUNTY INTERCHANGE (UPDATE LATER) 230/115/13.2KV TRANSFORMER CKT 1	243.7	1	168.4038	KRESS INTERCHANGE - SWISHER COUNTY INTERCHANGE 115KV CKT 1
20SP	06ALL	0	FROM->TO	G15_031_115	SWISHER COUNTY INTERCHANGE (UPDATE LATER) 230/115/13.2KV TRANSFORMER CKT 1	243.7	1	168.4038	KRESS INTERCHANGE - SWISHER COUNTY INTERCHANGE 115KV CKT 1
20SP	00NR	0	FROM->TO	G15_031_115	SWISHER COUNTY INTERCHANGE (UPDATE LATER) 230/115/13.2KV TRANSFORMER CKT 1	244.6	1	167.6615	KRESS INTERCHANGE - SWISHER COUNTY INTERCHANGE 115KV CKT 1
20SP	00NR	0	FROM->TO	G15_031_115	SWISHER COUNTY INTERCHANGE (UPDATE LATER) 230/115/13.2KV TRANSFORMER CKT 1	245.3	1	167.2238	KRESS INTERCHANGE - SWISHER COUNTY INTERCHANGE 115KV CKT 1
15SP	00NR	0	FROM->TO	G15_031_115	SWISHER COUNTY INTERCHANGE (UPDATE LATER) 230/115/13.2KV TRANSFORMER CKT 1	247.4	1	165.8044	KRESS INTERCHANGE - SWISHER COUNTY INTERCHANGE 115KV CKT 1
15SP	00NR	0	FROM->TO	G15_031_115	SWISHER COUNTY INTERCHANGE (UPDATE LATER) 230/115/13.2KV TRANSFORMER CKT 1	247.6	1	165.7108	KRESS INTERCHANGE - SWISHER COUNTY INTERCHANGE 115KV CKT 1
15WP	00NR	0	FROM->TO	G15_031_115	SWISHER COUNTY INTERCHANGE (UPDATE LATER) 230/115/13.2KV TRANSFORMER CKT 1	249.8	1	164.3715	KRESS INTERCHANGE - SWISHER COUNTY INTERCHANGE 115KV CKT 1
15WP	00NR	0	FROM->TO	G15_031_115	SWISHER COUNTY INTERCHANGE (UPDATE LATER) 230/115/13.2KV TRANSFORMER CKT 1	249.8	1	164.3315	KRESS INTERCHANGE - SWISHER COUNTY INTERCHANGE 115KV CKT 1
20WP	00NR	0	FROM->TO	G15_031_115	SWISHER COUNTY INTERCHANGE (UPDATE LATER) 230/115/13.2KV TRANSFORMER CKT 1	249.9	1	164.3057	KRESS INTERCHANGE - SWISHER COUNTY INTERCHANGE 115KV CKT 1
20WP	00NR	0	FROM->TO	G15_031_115	SWISHER COUNTY INTERCHANGE (UPDATE LATER) 230/115/13.2KV TRANSFORMER CKT 1	249.9	1	164.2657	KRESS INTERCHANGE - SWISHER COUNTY INTERCHANGE 115KV CKT 1
25SP	00NR	2	FROM->TO	G15_031_115	EDDY_NORTH 6230.00 (WAUK WTO1134) 230/115/13.2KV TRANSFORMER CKT 2	285.3	0.03123	103.5293	EDDY COUNTY INTERCHANGE - EDDY_NORTH 6230.00 230KV CKT @1
25SP	00NR	2	FROM->TO	G15_031_115	EDDY_NORTH 6230.00 (WAUK WTO1134) 230/115/13.2KV TRANSFORMER CKT 2	286.5	0.03123	103.0258	EDDY COUNTY INTERCHANGE - EDDY_NORTH 6230.00 230KV CKT @1
25SP	00NR	2	TO->FROM	G15_031_115	KRESS INTERCHANGE - SWISHER COUNTY INTERCHANGE 115KV CKT 1	207.4	0.44572	155.8901	BASE CASE
25SP	00NR	2	TO->FROM	G15_031_115	KRESS INTERCHANGE - SWISHER COUNTY INTERCHANGE 115KV CKT 1	229.4	0.50452	152.9451	SWISHER COUNTY INTERCHANGE - TUCO_2 230.00 230KV CKT 1
25SP	06ALL	2	TO->FROM	G15_031_115	KRESS INTERCHANGE - SWISHER COUNTY INTERCHANGE 115KV CKT 1	205.6	0.43805	147.5506	BASE CASE
25SP	06ALL	2	TO->FROM	G15_031_115	KRESS INTERCHANGE - SWISHER COUNTY INTERCHANGE 115KV CKT 1	227.8	0.47272	146.9104	AMARILLO SOUTH INTERCHANGE - SWISHER COUNTY INTERCHANGE 230KV CKT 1
25SP	00NR	2	TO->FROM	G15_031_115	KRESS INTERCHANGE - SWISHER COUNTY INTERCHANGE 115KV CKT 1	229.4	0.44055	145.7563	PLANT X STATION (WH ALM20171) 230/115/13.2KV TRANSFORMER CKT 1
25SP	00NR	2	TO->FROM	G15_031_115	KRESS INTERCHANGE - SWISHER COUNTY INTERCHANGE 115KV CKT 1	229.4	0.45405	145.6909	TUCO INTERCHANGE - TUCO_2 230.00 230KV CKT 1
25SP	00NR	2	TO->FROM	G15_031_115	KRESS INTERCHANGE - SWISHER COUNTY INTERCHANGE 115KV CKT 1	229.4	0.44394	145.6766	TUCO INTERCHANGE (GE M102345) 230/115/13.2KV TRANSFORMER CKT 1
25SP	00NR	2	TO->FROM	G15_031_115	KRESS INTERCHANGE - SWISHER COUNTY INTERCHANGE 115KV CKT 1	229.4	0.44405	145.3422	TUCO INTERCHANGE (ENRCC 136401) 230/115/13.2KV TRANSFORMER CKT 2
25SP	00NR	2	TO->FROM	G15_031_115	KRESS INTERCHANGE - SWISHER COUNTY INTERCHANGE 115KV CKT 1	229.4	0.40173	145.1696	PALO DURO SUB - RANDALL COUNTY INTERCHANGE 115KV CKT 1
25SP	00NR	2	TO->FROM	G15_031_115	KRESS INTERCHANGE - SWISHER COUNTY INTERCHANGE 115KV CKT 1	229.4	0.40173	144.5157	SPP-SWPS-T66
25SP	00NR	2	TO->FROM	G15_031_115	KRESS INTERCHANGE - SWISHER COUNTY INTERCHANGE 115KV CKT 1	229.4	0.40173	144.4721	HAPPY INTERCHANGE - PALO DURO SUB 115KV CKT 1
25SP	00NR	2	TO->FROM	G15_031_115	KRESS INTERCHANGE - SWISHER COUNTY INTERCHANGE 115KV CKT 1	229.4	0.44759	144.2794	JONES STATION - TUCO INTERCHANGE 230KV CKT 1
25SP	00NR	2	TO->FROM	G15_031_115	KRESS INTERCHANGE - SWISHER COUNTY INTERCHANGE 115KV CKT 1	229.4	0.44011	144.1731	NEWHART 230 (UPDATE LATER) 230/115/13.2KV TRANSFORMER CKT 2
25SP	00NR	2	TO->FROM	G15_031_115	KRESS INTERCHANGE - SWISHER COUNTY INTERCHANGE 115KV CKT 1	229.4	0.44011	144.1731	NEWHART 230 (WAUK WTO1105) 230/115/13.2KV TRANSFORMER CKT 1
25SP	00NR	2	TO->FROM	G15_031_115	KRESS INTERCHANGE - SWISHER COUNTY INTERCHANGE 115KV CKT 1	229.4	0.44061	144.0205	FLOYD COUNTY INTERCHANGE - TUCO INTERCHANGE 115KV CKT 1
25SP	00NR	2	TO->FROM	G15_031_115	KRESS INTERCHANGE - SWISHER COUNTY INTERCHANGE 115KV CKT 1	229.4	0.44572	143.8204	TOLK STATION WEST 230/24.0KV TRANSFORMER CKT 1
25SP	00NR	2	TO->FROM	G15_031_115	KRESS INTERCHANGE - SWISHER COUNTY INTERCHANGE 115KV CKT 1	229.4	0.44572	143.7833	TOLK STATION EAST 230/24.0KV TRANSFORMER CKT 1
25SP	00NR	2	TO->FROM	G15_031_115	KRESS INTERCHANGE - SWISHER COUNTY INTERCHANGE 115KV CKT 1	229.4	0.44786	143.3121	TUCO_2 345.00 - YOAKUM_345 345.00 345KV CKT 1
25SP	00NR	2	TO->FROM	G15_031_115	KRESS INTERCHANGE - SWISHER COUNTY INTERCHANGE 115KV CKT 1	229.4	0.44674	143.2528	CARLISLE INTERCHANGE - TUCO INTERCHANGE 230KV CKT 1
25SP	00NR	2	TO->FROM	G15_031_115	KRESS INTERCHANGE - SWISHER COUNTY INTERCHANGE 115KV CKT 1	229.4	0.44529	142.8453	LAMB COUNTY INTERCHANGE - TOLK STATION WEST 230KV CKT 1
25SP	00NR	2	TO->FROM	G15_031_115	KRESS INTERCHANGE - SWISHER COUNTY INTERCHANGE 115KV CKT 1	229.4	0.43774	142.3374	HALE CO INTERCHANGE - PLANT X STATION 115KV CKT 1
20SP	00NR	2	TO->FROM	G15_031_115	KRESS INTERCHANGE - SWISHER COUNTY INTERCHANGE 115KV CKT 1	210.7	0.44783	141.0294	BASE CASE

SEASON	GROUP	SCENARIO	DIRECTION	SOURCE	MONITORED ELEMENT	RATE	CONTINGENCY		CONTINGENCY
						(MVA)	TDF	LOADING %	
20SP	00NR		2 TO->FROM	G15_031_115	KRESS INTERCHANGE - SWISHER COUNTY INTERCHANGE 115KV CKT 1	232.3	0.57455	139.0723	SWISHER COUNTY INTERCHANGE (SWISHER2) 230/115/13.2KV TRANSFORMER CKT 1
20SP	00NR		2 TO->FROM	G15_031_115	KRESS INTERCHANGE - SWISHER COUNTY INTERCHANGE 115KV CKT 1	232.3	0.57455	139.0723	SWISHER COUNTY INTERCHANGE (UPDATE LATER) 230/115/13.2KV TRANSFORMER CKT 1
20WP	06ALL		2 TO->FROM	G15_031_115	KRESS INTERCHANGE - SWISHER COUNTY INTERCHANGE 115KV CKT 1	231.1	0.47259	138.894	AMARILLO SOUTH INTERCHANGE - SWISHER COUNTY INTERCHANGE 230KV CKT 1
25SP	06ALL		2 TO->FROM	G15_031_115	KRESS INTERCHANGE - SWISHER COUNTY INTERCHANGE 115KV CKT 1	227.8	0.43393	138.6541	PLANT X STATION (WH_ALM20171) 230/115/13.2KV TRANSFORMER CKT 1
25SP	00NR		2 TO->FROM	G15_031_115	KRESS INTERCHANGE - SWISHER COUNTY INTERCHANGE 115KV CKT 1	229.4	0.36101	137.316	KRESS INTERCHANGE - NEWHART 115KV CKT 1
25SP	06ALL		2 TO->FROM	G15_031_115	KRESS INTERCHANGE - SWISHER COUNTY INTERCHANGE 115KV CKT 1	227.8	0.43191	137.1282	NEWHART 230 (UPDATE LATER) 230/115/13.2KV TRANSFORMER CKT 2
25SP	06ALL		2 TO->FROM	G15_031_115	KRESS INTERCHANGE - SWISHER COUNTY INTERCHANGE 115KV CKT 1	227.8	0.43191	137.1282	NEWHART 230 (WAUK_WT01105) 230/115/13.2KV TRANSFORMER CKT 1
25SP	06ALL		2 TO->FROM	G15_031_115	KRESS INTERCHANGE - SWISHER COUNTY INTERCHANGE 115KV CKT 1	227.8	0.43805	136.5514	G11_025_2 34.500 34.5/0.69KV TRANSFORMER CKT 1
25SP	06ALL		2 TO->FROM	G15_031_115	KRESS INTERCHANGE - SWISHER COUNTY INTERCHANGE 115KV CKT 1	227.8	0.43805	136.5074	G11_025_1 115.00 115/34.5KV TRANSFORMER CKT 1
25SP	06ALL		2 TO->FROM	G15_031_115	KRESS INTERCHANGE - SWISHER COUNTY INTERCHANGE 115KV CKT 1	227.8	0.43805	136.5074	G11_025T 115.00 - G11_025_1 115.00 115KV CKT 1
25SP	06ALL		2 TO->FROM	G15_031_115	KRESS INTERCHANGE - SWISHER COUNTY INTERCHANGE 115KV CKT 1	227.8	0.43513	136.4469	TUCO INTERCHANGE (GE_M102345) 230/115/13.2KV TRANSFORMER CKT 1
25SP	06ALL		2 TO->FROM	G15_031_115	KRESS INTERCHANGE - SWISHER COUNTY INTERCHANGE 115KV CKT 1	227.8	0.43805	136.2458	TOLK STATION WEST 230/24.0KV TRANSFORMER CKT 1
25SP	06ALL		2 TO->FROM	G15_031_115	KRESS INTERCHANGE - SWISHER COUNTY INTERCHANGE 115KV CKT 1	227.8	0.43532	136.2204	TUCO INTERCHANGE (ENRCO_136401) 230/115/13.2KV TRANSFORMER CKT 2
20WP	06ALL		2 TO->FROM	G15_031_115	KRESS INTERCHANGE - SWISHER COUNTY INTERCHANGE 115KV CKT 1	209.3	0.43808	135.7296	BASE CASE
25SP	06ALL		2 TO->FROM	G15_031_115	KRESS INTERCHANGE - SWISHER COUNTY INTERCHANGE 115KV CKT 1	227.8	0.43532	135.6558	FLOYD COUNTY INTERCHANGE - G11_025T 115.00 115KV CKT 1
25SP	06ALL		2 TO->FROM	G15_031_115	KRESS INTERCHANGE - SWISHER COUNTY INTERCHANGE 115KV CKT 1	227.8	0.43805	135.6444	TOLK STATION EAST 230/24.0KV TRANSFORMER CKT 1
20WP	06ALL		2 TO->FROM	G15_031_115	KRESS INTERCHANGE - SWISHER COUNTY INTERCHANGE 115KV CKT 1	231.1	0.56703	135.4686	SWISHER COUNTY INTERCHANGE (SWISHER2) 230/115/13.2KV TRANSFORMER CKT 1
20WP	06ALL		2 TO->FROM	G15_031_115	KRESS INTERCHANGE - SWISHER COUNTY INTERCHANGE 115KV CKT 1	231.1	0.56703	135.4686	SWISHER COUNTY INTERCHANGE (UPDATE LATER) 230/115/13.2KV TRANSFORMER CKT 1
25SP	06ALL		2 TO->FROM	G15_031_115	KRESS INTERCHANGE - SWISHER COUNTY INTERCHANGE 115KV CKT 1	227.8	0.43155	135.4469	HALE CO INTERCHANGE - PLANT X STATION 115KV CKT 1
25SP	06ALL		2 TO->FROM	G15_031_115	KRESS INTERCHANGE - SWISHER COUNTY INTERCHANGE 115KV CKT 1	227.8	0.43805	135.0325	PLANT X STATION 115/13.8KV TRANSFORMER CKT 1
25SP	06ALL		2 TO->FROM	G15_031_115	KRESS INTERCHANGE - SWISHER COUNTY INTERCHANGE 115KV CKT 1	227.8	0.43773	135.0035	LAMB COUNTY INTERCHANGE - TOLK STATION WEST 230KV CKT 1
25SP	06ALL		2 TO->FROM	G15_031_115	KRESS INTERCHANGE - SWISHER COUNTY INTERCHANGE 115KV CKT 1	227.8	0.43773	134.9596	LAMB COUNTY INTERCHANGE (WH_ALM20172) 230/115/13.2KV TRANSFORMER CKT 1
25SP	06ALL		2 TO->FROM	G15_031_115	KRESS INTERCHANGE - SWISHER COUNTY INTERCHANGE 115KV CKT 1	227.8	0.43773	134.9596	SPP-SWPS-K37
25SP	06ALL		2 TO->FROM	G15_031_115	KRESS INTERCHANGE - SWISHER COUNTY INTERCHANGE 115KV CKT 1	227.8	0.3556	133.8463	KRESS INTERCHANGE - NEWHART 115KV CKT 1
20SP	00NR		2 TO->FROM	G15_031_115	KRESS INTERCHANGE - SWISHER COUNTY INTERCHANGE 115KV CKT 1	232.3	0.51011	133.5054	SWISHER COUNTY INTERCHANGE - TUCO_2 230.00 230KV CKT 1
15SP	00NR		2 TO->FROM	G15_031_115	KRESS INTERCHANGE - SWISHER COUNTY INTERCHANGE 115KV CKT 1	235.3	0.57397	132.3804	SWISHER COUNTY INTERCHANGE (UPDATE LATER) 230/115/13.2KV TRANSFORMER CKT 1
15SP	00NR		2 TO->FROM	G15_031_115	KRESS INTERCHANGE - SWISHER COUNTY INTERCHANGE 115KV CKT 1	235.3	0.57397	132.2954	SWISHER COUNTY INTERCHANGE (SWISHER2) 230/115/13.2KV TRANSFORMER CKT 1
15SP	06ALL		2 TO->FROM	G15_031_115	KRESS INTERCHANGE - SWISHER COUNTY INTERCHANGE 115KV CKT 1	234.4	0.47244	131.9087	AMARILLO SOUTH INTERCHANGE - SWISHER COUNTY INTERCHANGE 230KV CKT 1
15WP	06ALL		2 TO->FROM	G15_031_115	KRESS INTERCHANGE - SWISHER COUNTY INTERCHANGE 115KV CKT 1	234.4	0.47244	131.9087	AMARILLO SOUTH INTERCHANGE - SWISHER COUNTY INTERCHANGE 230KV CKT 1
20SP	06ALL		2 TO->FROM	G15_031_115	KRESS INTERCHANGE - SWISHER COUNTY INTERCHANGE 115KV CKT 1	234.4	0.47244	131.9087	AMARILLO SOUTH INTERCHANGE - SWISHER COUNTY INTERCHANGE 230KV CKT 1
15SP	00NR		2 TO->FROM	G15_031_115	KRESS INTERCHANGE - SWISHER COUNTY INTERCHANGE 115KV CKT 1	213.9	0.44713	131.8088	BASE CASE
20SP	00NR		2 TO->FROM	G15_031_115	KRESS INTERCHANGE - SWISHER COUNTY INTERCHANGE 115KV CKT 1	232.3	0.47486	131.622	AMARILLO SOUTH INTERCHANGE - SWISHER COUNTY INTERCHANGE 230KV CKT 1
20SP	00NR		2 TO->FROM	G15_031_115	KRESS INTERCHANGE - SWISHER COUNTY INTERCHANGE 115KV CKT 1	232.3	0.44616	131.3595	TUCO INTERCHANGE (GE_M102345) 230/115/13.2KV TRANSFORMER CKT 1
20SP	00NR		2 TO->FROM	G15_031_115	KRESS INTERCHANGE - SWISHER COUNTY INTERCHANGE 115KV CKT 1	232.3	0.44627	131.1584	TUCO INTERCHANGE (ENRCO_136401) 230/115/13.2KV TRANSFORMER CKT 2
20SP	00NR		2 TO->FROM	G15_031_115	KRESS INTERCHANGE - SWISHER COUNTY INTERCHANGE 115KV CKT 1	232.3	0.44374	130.5734	PLANT X STATION (WH_ALM20171) 230/115/13.2KV TRANSFORMER CKT 1
20SP	00NR		2 TO->FROM	G15_031_115	KRESS INTERCHANGE - SWISHER COUNTY INTERCHANGE 115KV CKT 1	232.3	0.44265	130.5187	FLOYD COUNTY INTERCHANGE - TUCO INTERCHANGE 115KV CKT 1
20SP	00NR		2 TO->FROM	G15_031_115	KRESS INTERCHANGE - SWISHER COUNTY INTERCHANGE 115KV CKT 1	232.3	0.44256	129.9475	NEWHART 230 (UPDATE LATER) 230/115/13.2KV TRANSFORMER CKT 2
20SP	00NR		2 TO->FROM	G15_031_115	KRESS INTERCHANGE - SWISHER COUNTY INTERCHANGE 115KV CKT 1	232.3	0.44256	129.9475	NEWHART 230 (WAUK_WT01105) 230/115/13.2KV TRANSFORMER CKT 1
20SP	00NR		2 TO->FROM	G15_031_115	KRESS INTERCHANGE - SWISHER COUNTY INTERCHANGE 115KV CKT 1	232.3	0.44783	129.9212	TOLK STATION WEST 230/24.0KV TRANSFORMER CKT 1
20SP	00NR		2 TO->FROM	G15_031_115	KRESS INTERCHANGE - SWISHER COUNTY INTERCHANGE 115KV CKT 1	232.3	0.44783	129.7723	TOLK STATION EAST 230/24.0KV TRANSFORMER CKT 1
20SP	00NR		2 TO->FROM	G15_031_115	KRESS INTERCHANGE - SWISHER COUNTY INTERCHANGE 115KV CKT 1	232.3	0.43948	129.5928	HALE CO INTERCHANGE - PLANT X STATION 115KV CKT 1
20SP	00NR		2 TO->FROM	G15_031_115	KRESS INTERCHANGE - SWISHER COUNTY INTERCHANGE 115KV CKT 1	232.3	0.44419	129.5123	CROSBY COUNTY INTERCHANGE - LUBBOCK EAST INTERCHANGE 115KV CKT 1
20SP	00NR		2 TO->FROM	G15_031_115	KRESS INTERCHANGE - SWISHER COUNTY INTERCHANGE 115KV CKT 1	232.3	0.44783	129.3887	Golden Spread REC - Mustang Interchange 230 kV Generation Bus - MUSTANG STATION
20SP	00NR		2 TO->FROM	G15_031_115	KRESS INTERCHANGE - SWISHER COUNTY INTERCHANGE 115KV CKT 1	232.3	0.44758	129.3044	LAMB COUNTY INTERCHANGE - TOLK STATION WEST 230KV CKT 1
20SP	00NR		2 TO->FROM	G15_031_115	KRESS INTERCHANGE - SWISHER COUNTY INTERCHANGE 115KV CKT 1	232.3	0.44783	129.2897	PLANT X STATION 115/13.8KV TRANSFORMER CKT 1
20SP	00NR		2 TO->FROM	G15_031_115	KRESS INTERCHANGE - SWISHER COUNTY INTERCHANGE 115KV CKT 1	232.3	0.44783	129.2479	PLANT X STATION 115/13.8KV TRANSFORMER CKT 1
20WP	06ALL		2 TO->FROM	G15_031_115	KRESS INTERCHANGE - SWISHER COUNTY INTERCHANGE 115KV CKT 1	231.1	0.43396	127.8546	PLANT X STATION (WH_ALM20171) 230/115/13.2KV TRANSFORMER CKT 1
15SP	06ALL		2 TO->FROM	G15_031_115	KRESS INTERCHANGE - SWISHER COUNTY INTERCHANGE 115KV CKT 1	234.4	0.56687	127.8515	SWISHER COUNTY INTERCHANGE (SWISHER2) 230/115/13.2KV TRANSFORMER CKT 1
15SP	06ALL		2 TO->FROM	G15_031_115	KRESS INTERCHANGE - SWISHER COUNTY INTERCHANGE 115KV CKT 1	234.4	0.56687	127.8515	SWISHER COUNTY INTERCHANGE (UPDATE LATER) 230/115/13.2KV TRANSFORMER CKT 1
15WP	06ALL		2 TO->FROM	G15_031_115	KRESS INTERCHANGE - SWISHER COUNTY INTERCHANGE 115KV CKT 1	234.4	0.56687	127.8515	SWISHER COUNTY INTERCHANGE (SWISHER2) 230/115/13.2KV TRANSFORMER CKT 1
15WP	06ALL		2 TO->FROM	G15_031_115	KRESS INTERCHANGE - SWISHER COUNTY INTERCHANGE 115KV CKT 1	234.4	0.56687	127.8515	SWISHER COUNTY INTERCHANGE (UPDATE LATER) 230/115/13.2KV TRANSFORMER CKT 1
20SP	06ALL		2 TO->FROM	G15_031_115	KRESS INTERCHANGE - SWISHER COUNTY INTERCHANGE 115KV CKT 1	234.4	0.56687	127.8515	SWISHER COUNTY INTERCHANGE (SWISHER2) 230/115/13.2KV TRANSFORMER CKT 1
20SP	06ALL		2 TO->FROM	G15_031_115	KRESS INTERCHANGE - SWISHER COUNTY INTERCHANGE 115KV CKT 1	234.4	0.56687	127.8515	SWISHER COUNTY INTERCHANGE (UPDATE LATER) 230/115/13.2KV TRANSFORMER CKT 1
15SP	00NR		2 TO->FROM	G15_031_115	KRESS INTERCHANGE - SWISHER COUNTY INTERCHANGE 115KV CKT 1	235.3	0.47368	127.1585	AMARILLO SOUTH INTERCHANGE - SWISHER COUNTY INTERCHANGE 230KV CKT 1
20WP	06ALL		2 TO->FROM	G15_031_115	KRESS INTERCHANGE - SWISHER COUNTY INTERCHANGE 115KV CKT 1	231.1	0.43808	126.2579	G11_025_1 115.00 115/34.5KV TRANSFORMER CKT 1
20WP	06ALL		2 TO->FROM	G15_031_115	KRESS INTERCHANGE - SWISHER COUNTY INTERCHANGE 115KV CKT 1	231.1	0.43808	126.2579	G11_025_2 34.500 34.5/0.69KV TRANSFORMER CKT 1
20WP	06ALL		2 TO->FROM	G15_031_115	KRESS INTERCHANGE - SWISHER COUNTY INTERCHANGE 115KV CKT 1	231.1	0.43808	126.2579	G11_025T 115.00 - G11_025_1 115.00 115KV CKT 1
20WP	06ALL		2 TO->FROM	G15_031_115	KRESS INTERCHANGE - SWISHER COUNTY INTERCHANGE 115KV CKT 1	231.1	0.43195	126.2233	NEWHART 230 (UPDATE LATER) 230/115/13.2KV TRANSFORMER CKT 2
20WP	06ALL		2 TO->FROM	G15_031_115	KRESS INTERCHANGE - SWISHER COUNTY INTERCHANGE 115KV CKT 1	231.1	0.43195	126.2233	NEWHART 230 (WAUK_WT01105) 230/115/13.2KV TRANSFORMER CKT 1
20WP	06ALL		2 TO->FROM	G15_031_115	KRESS INTERCHANGE - SWISHER COUNTY INTERCHANGE 115KV CKT 1	231.1	0.43808	125.9974	TOLK STATION WEST 230/24.0KV TRANSFORMER CKT 1
20WP	06ALL		2 TO->FROM	G15_031_115	KRESS INTERCHANGE - SWISHER COUNTY INTERCHANGE 115KV CKT 1	231.1	0.43533	125.9758	FLOYD COUNTY INTERCHANGE - G11_025T 115.00 115KV CKT 1
15SP	06ALL		2 TO->FROM	G15_031_115	KRESS INTERCHANGE - SWISHER COUNTY INTERCHANGE 115KV CKT 1	212.9	0.43791	125.3105	BASE CASE
15WP	06ALL		2 TO->FROM	G15_031_115	KRESS INTERCHANGE - SWISHER COUNTY INTERCHANGE 115KV CKT 1	212.9	0.43791	125.3105	BASE CASE
20SP	06ALL		2 TO->FROM	G15_031_115	KRESS INTERCHANGE - SWISHER COUNTY INTERCHANGE 115KV CKT 1	212.9	0.43791	125.3105	BASE CASE
20WP	06ALL		2 TO->FROM	G15_031_115	KRESS INTERCHANGE - SWISHER COUNTY INTERCHANGE 115KV CKT 1	231.1	0.4415	125.2869	NEWHART 230 - POTTER COUNTY INTERCHANGE 230KV CKT 1

SEASON	GROUP	SCENARIO	DIRECTION	SOURCE	MONITORED ELEMENT	RATE		CONTINGENCY		CONTINGENCY
						(MVA)	TDF	LOADING %	CONTINGENCY	
20WP	06ALL	2	TO->FROM	G15_031_115	KRESS INTERCHANGE - SWISHER COUNTY INTERCHANGE 115KV CKT 1	231.1	0.43515	125.2436	TUCO INTERCHANGE (GE M102345) 230/115/13.2KV TRANSFORMER CKT 1	
20WP	06ALL	2	TO->FROM	G15_031_115	KRESS INTERCHANGE - SWISHER COUNTY INTERCHANGE 115KV CKT 1	231.1	0.43159	125.1718	HALE CO INTERCHANGE - PLANT X STATION 115KV CKT 1	
20WP	06ALL	2	TO->FROM	G15_031_115	KRESS INTERCHANGE - SWISHER COUNTY INTERCHANGE 115KV CKT 1	231.1	0.43534	125.1095	TUCO INTERCHANGE (ENRCO 136401) 230/115/13.2KV TRANSFORMER CKT 2	
20WP	06ALL	2	TO->FROM	G15_031_115	KRESS INTERCHANGE - SWISHER COUNTY INTERCHANGE 115KV CKT 1	231.1	0.43808	124.9822	TOLK STATION EAST 230/24.0KV TRANSFORMER CKT 1	
20WP	06ALL	2	TO->FROM	G15_031_115	KRESS INTERCHANGE - SWISHER COUNTY INTERCHANGE 115KV CKT 1	231.1	0.43808	124.7988	PLANT X STATION 115/13.8KV TRANSFORMER CKT 1	
15SP	00NR	2	TO->FROM	G15_031_115	KRESS INTERCHANGE - SWISHER COUNTY INTERCHANGE 115KV CKT 1	235.3	0.44181	124.0302	PLANT X STATION (WH ALM20171) 230/115/13.2KV TRANSFORMER CKT 1	
20WP	06ALL	2	TO->FROM	G15_031_115	KRESS INTERCHANGE - SWISHER COUNTY INTERCHANGE 115KV CKT 1	231.1	0.35567	123.4721	KRESS INTERCHANGE - NEWHART 115KV CKT 1	
15SP	00NR	2	TO->FROM	G15_031_115	KRESS INTERCHANGE - SWISHER COUNTY INTERCHANGE 115KV CKT 1	235.3	0.44555	122.6795	TUCO INTERCHANGE (GE M102345) 230/115/13.2KV TRANSFORMER CKT 1	
15SP	00NR	2	TO->FROM	G15_031_115	KRESS INTERCHANGE - SWISHER COUNTY INTERCHANGE 115KV CKT 1	235.3	0.44565	122.5223	TUCO INTERCHANGE (ENRCO 136401) 230/115/13.2KV TRANSFORMER CKT 2	
15SP	00NR	2	TO->FROM	G15_031_115	KRESS INTERCHANGE - SWISHER COUNTY INTERCHANGE 115KV CKT 1	235.3	0.44155	122.0846	FLOYD COUNTY INTERCHANGE - TUCO INTERCHANGE 115KV CKT 1	
15SP	00NR	2	TO->FROM	G15_031_115	KRESS INTERCHANGE - SWISHER COUNTY INTERCHANGE 115KV CKT 1	235.3	0.44713	121.895	TOLK STATION EAST 230/24.0KV TRANSFORMER CKT 1	
15SP	00NR	2	TO->FROM	G15_031_115	KRESS INTERCHANGE - SWISHER COUNTY INTERCHANGE 115KV CKT 1	235.3	0.44713	121.7879	TOLK STATION WEST 230/24.0KV TRANSFORMER CKT 1	
15SP	00NR	2	TO->FROM	G15_031_115	KRESS INTERCHANGE - SWISHER COUNTY INTERCHANGE 115KV CKT 1	235.3	0.4417	121.4237	NEWHART 230 (UPDATE LATER) 230/115/13.2KV TRANSFORMER CKT 2	
15SP	00NR	2	TO->FROM	G15_031_115	KRESS INTERCHANGE - SWISHER COUNTY INTERCHANGE 115KV CKT 1	235.3	0.4417	121.4237	NEWHART 230 (WAUK W01105) 230/115/13.2KV TRANSFORMER CKT 1	
15SP	00NR	2	TO->FROM	G15_031_115	KRESS INTERCHANGE - SWISHER COUNTY INTERCHANGE 115KV CKT 1	235.3	0.43903	121.3383	HALE CO INTERCHANGE - PLANT X STATION 115KV CKT 1	
15SP	00NR	2	TO->FROM	G15_031_115	KRESS INTERCHANGE - SWISHER COUNTY INTERCHANGE 115KV CKT 1	235.3	0.44367	121.2924	CROSBY COUNTY INTERCHANGE - LUBBOCK EAST INTERCHANGE 115KV CKT 1	
15SP	00NR	2	TO->FROM	G15_031_115	KRESS INTERCHANGE - SWISHER COUNTY INTERCHANGE 115KV CKT 1	235.3	0.44713	121.2635	Golden Spread REC - Mustang Interchange 230 KV Generation Bus - MUSTANG STATION	
15SP	00NR	2	TO->FROM	G15_031_115	KRESS INTERCHANGE - SWISHER COUNTY INTERCHANGE 115KV CKT 1	235.3	0.44687	121.1904	LAMB COUNTY INTERCHANGE - TOLK STATION WEST 230KV CKT 1	
15SP	00NR	2	TO->FROM	G15_031_115	KRESS INTERCHANGE - SWISHER COUNTY INTERCHANGE 115KV CKT 1	235.3	0.44687	121.1904	LAMB COUNTY INTERCHANGE (WH ALM20172) 230/115/13.2KV TRANSFORMER CKT 1	
15SP	00NR	2	TO->FROM	G15_031_115	KRESS INTERCHANGE - SWISHER COUNTY INTERCHANGE 115KV CKT 1	235.3	0.44713	121.181	CASTRO COUNTY INTERCHANGE - G14_040_1 115.00 115KV CKT 1	
15SP	00NR	2	TO->FROM	G15_031_115	KRESS INTERCHANGE - SWISHER COUNTY INTERCHANGE 115KV CKT 1	235.3	0.44713	121.181	G14_040_2 34.500 34.5/0.69KV TRANSFORMER CKT 1	
15SP	06ALL	2	TO->FROM	G15_031_115	KRESS INTERCHANGE - SWISHER COUNTY INTERCHANGE 115KV CKT 1	234.4	0.49921	120.9898	SWISHER COUNTY INTERCHANGE - TUCO_2 230.00 230KV CKT 1	
15WP	06ALL	2	TO->FROM	G15_031_115	KRESS INTERCHANGE - SWISHER COUNTY INTERCHANGE 115KV CKT 1	234.4	0.49921	120.9898	SWISHER COUNTY INTERCHANGE - TUCO_2 230.00 230KV CKT 1	
20SP	06ALL	2	TO->FROM	G15_031_115	KRESS INTERCHANGE - SWISHER COUNTY INTERCHANGE 115KV CKT 1	234.4	0.49921	120.9898	SWISHER COUNTY INTERCHANGE - TUCO_2 230.00 230KV CKT 1	
15SP	06ALL	2	TO->FROM	G15_031_115	KRESS INTERCHANGE - SWISHER COUNTY INTERCHANGE 115KV CKT 1	234.4	0.43371	118.6178	PLANT X STATION (WH ALM20171) 230/115/13.2KV TRANSFORMER CKT 1	
15WP	06ALL	2	TO->FROM	G15_031_115	KRESS INTERCHANGE - SWISHER COUNTY INTERCHANGE 115KV CKT 1	234.4	0.43371	118.6178	PLANT X STATION (WH ALM20171) 230/115/13.2KV TRANSFORMER CKT 1	
20SP	06ALL	2	TO->FROM	G15_031_115	KRESS INTERCHANGE - SWISHER COUNTY INTERCHANGE 115KV CKT 1	234.4	0.43371	118.6178	PLANT X STATION (WH ALM20171) 230/115/13.2KV TRANSFORMER CKT 1	
15SP	06ALL	2	TO->FROM	G15_031_115	KRESS INTERCHANGE - SWISHER COUNTY INTERCHANGE 115KV CKT 1	234.4	0.43791	117.0589	G11_025_1 115.00 115/34.5KV TRANSFORMER CKT 1	
15SP	06ALL	2	TO->FROM	G15_031_115	KRESS INTERCHANGE - SWISHER COUNTY INTERCHANGE 115KV CKT 1	234.4	0.43791	117.0589	G11_025_2 34.500 34.5/0.69KV TRANSFORMER CKT 1	
15SP	06ALL	2	TO->FROM	G15_031_115	KRESS INTERCHANGE - SWISHER COUNTY INTERCHANGE 115KV CKT 1	234.4	0.43791	117.0589	G11_025T 115.00 - G11_025_1 115.00 115KV CKT 1	
15WP	06ALL	2	TO->FROM	G15_031_115	KRESS INTERCHANGE - SWISHER COUNTY INTERCHANGE 115KV CKT 1	234.4	0.43791	117.0589	G11_025_1 115.00 115/34.5KV TRANSFORMER CKT 1	
15WP	06ALL	2	TO->FROM	G15_031_115	KRESS INTERCHANGE - SWISHER COUNTY INTERCHANGE 115KV CKT 1	234.4	0.43791	117.0589	G11_025_2 34.500 34.5/0.69KV TRANSFORMER CKT 1	
15WP	06ALL	2	TO->FROM	G15_031_115	KRESS INTERCHANGE - SWISHER COUNTY INTERCHANGE 115KV CKT 1	234.4	0.43791	117.0589	G11_025T 115.00 - G11_025_1 115.00 115KV CKT 1	
20SP	06ALL	2	TO->FROM	G15_031_115	KRESS INTERCHANGE - SWISHER COUNTY INTERCHANGE 115KV CKT 1	234.4	0.43791	117.0589	G11_025_1 115.00 115/34.5KV TRANSFORMER CKT 1	
20SP	06ALL	2	TO->FROM	G15_031_115	KRESS INTERCHANGE - SWISHER COUNTY INTERCHANGE 115KV CKT 1	234.4	0.43791	117.0589	G11_025_2 34.500 34.5/0.69KV TRANSFORMER CKT 1	
20SP	06ALL	2	TO->FROM	G15_031_115	KRESS INTERCHANGE - SWISHER COUNTY INTERCHANGE 115KV CKT 1	234.4	0.43791	117.0589	G11_025T 115.00 - G11_025_1 115.00 115KV CKT 1	
15SP	06ALL	2	TO->FROM	G15_031_115	KRESS INTERCHANGE - SWISHER COUNTY INTERCHANGE 115KV CKT 1	234.4	0.43791	116.8421	TOLK STATION WEST 230/24.0KV TRANSFORMER CKT 1	
15WP	06ALL	2	TO->FROM	G15_031_115	KRESS INTERCHANGE - SWISHER COUNTY INTERCHANGE 115KV CKT 1	234.4	0.43791	116.8421	TOLK STATION WEST 230/24.0KV TRANSFORMER CKT 1	
20SP	06ALL	2	TO->FROM	G15_031_115	KRESS INTERCHANGE - SWISHER COUNTY INTERCHANGE 115KV CKT 1	234.4	0.43791	116.8421	TOLK STATION WEST 230/24.0KV TRANSFORMER CKT 1	
15SP	06ALL	2	TO->FROM	G15_031_115	KRESS INTERCHANGE - SWISHER COUNTY INTERCHANGE 115KV CKT 1	234.4	0.44132	116.5282	NEWHART 230 - POTTER COUNTY INTERCHANGE 230KV CKT 1	
15WP	06ALL	2	TO->FROM	G15_031_115	KRESS INTERCHANGE - SWISHER COUNTY INTERCHANGE 115KV CKT 1	234.4	0.44132	116.5282	NEWHART 230 - POTTER COUNTY INTERCHANGE 230KV CKT 1	
20SP	06ALL	2	TO->FROM	G15_031_115	KRESS INTERCHANGE - SWISHER COUNTY INTERCHANGE 115KV CKT 1	234.4	0.44132	116.5282	NEWHART 230 - POTTER COUNTY INTERCHANGE 230KV CKT 1	
15SP	06ALL	2	TO->FROM	G15_031_115	KRESS INTERCHANGE - SWISHER COUNTY INTERCHANGE 115KV CKT 1	234.4	0.43537	116.523	FLOYD COUNTY INTERCHANGE - G11_025T 115.00 115KV CKT 1	
15WP	06ALL	2	TO->FROM	G15_031_115	KRESS INTERCHANGE - SWISHER COUNTY INTERCHANGE 115KV CKT 1	234.4	0.43537	116.523	FLOYD COUNTY INTERCHANGE - G11_025T 115.00 115KV CKT 1	
20SP	06ALL	2	TO->FROM	G15_031_115	KRESS INTERCHANGE - SWISHER COUNTY INTERCHANGE 115KV CKT 1	234.4	0.43537	116.523	FLOYD COUNTY INTERCHANGE - G11_025T 115.00 115KV CKT 1	
15SP	06ALL	2	TO->FROM	G15_031_115	KRESS INTERCHANGE - SWISHER COUNTY INTERCHANGE 115KV CKT 1	234.4	0.43144	116.5051	HALE CO INTERCHANGE - PLANT X STATION 115KV CKT 1	
15WP	06ALL	2	TO->FROM	G15_031_115	KRESS INTERCHANGE - SWISHER COUNTY INTERCHANGE 115KV CKT 1	234.4	0.43144	116.5051	HALE CO INTERCHANGE - PLANT X STATION 115KV CKT 1	
20SP	06ALL	2	TO->FROM	G15_031_115	KRESS INTERCHANGE - SWISHER COUNTY INTERCHANGE 115KV CKT 1	234.4	0.43144	116.5051	HALE CO INTERCHANGE - PLANT X STATION 115KV CKT 1	
15SP	06ALL	2	TO->FROM	G15_031_115	KRESS INTERCHANGE - SWISHER COUNTY INTERCHANGE 115KV CKT 1	234.4	0.43177	116.4275	NEWHART 230 (UPDATE LATER) 230/115/13.2KV TRANSFORMER CKT 2	
15SP	06ALL	2	TO->FROM	G15_031_115	KRESS INTERCHANGE - SWISHER COUNTY INTERCHANGE 115KV CKT 1	234.4	0.43177	116.4275	NEWHART 230 (WAUK W01105) 230/115/13.2KV TRANSFORMER CKT 1	
15WP	06ALL	2	TO->FROM	G15_031_115	KRESS INTERCHANGE - SWISHER COUNTY INTERCHANGE 115KV CKT 1	234.4	0.43177	116.4275	NEWHART 230 (UPDATE LATER) 230/115/13.2KV TRANSFORMER CKT 2	
15WP	06ALL	2	TO->FROM	G15_031_115	KRESS INTERCHANGE - SWISHER COUNTY INTERCHANGE 115KV CKT 1	234.4	0.43177	116.4275	NEWHART 230 (WAUK W01105) 230/115/13.2KV TRANSFORMER CKT 1	
20SP	06ALL	2	TO->FROM	G15_031_115	KRESS INTERCHANGE - SWISHER COUNTY INTERCHANGE 115KV CKT 1	234.4	0.435	115.6775	TUCO INTERCHANGE (GE M102345) 230/115/13.2KV TRANSFORMER CKT 1	
15WP	06ALL	2	TO->FROM	G15_031_115	KRESS INTERCHANGE - SWISHER COUNTY INTERCHANGE 115KV CKT 1	234.4	0.435	115.6775	TUCO INTERCHANGE (GE M102345) 230/115/13.2KV TRANSFORMER CKT 1	
20SP	06ALL	2	TO->FROM	G15_031_115	KRESS INTERCHANGE - SWISHER COUNTY INTERCHANGE 115KV CKT 1	234.4	0.435	115.6775	TUCO INTERCHANGE (GE M102345) 230/115/13.2KV TRANSFORMER CKT 1	
15SP	06ALL	2	TO->FROM	G15_031_115	KRESS INTERCHANGE - SWISHER COUNTY INTERCHANGE 115KV CKT 1	234.4	0.43387	115.512	SPP-SWPS-25	
15SP	06ALL	2	TO->FROM	G15_031_115	KRESS INTERCHANGE - SWISHER COUNTY INTERCHANGE 115KV CKT 1	234.4	0.43387	115.512	SPP-SWPS-T28	
15WP	06ALL	2	TO->FROM	G15_031_115	KRESS INTERCHANGE - SWISHER COUNTY INTERCHANGE 115KV CKT 1	234.4	0.43387	115.512	SPP-SWPS-25	
15WP	06ALL	2	TO->FROM	G15_031_115	KRESS INTERCHANGE - SWISHER COUNTY INTERCHANGE 115KV CKT 1	234.4	0.43387	115.512	SPP-SWPS-T28	
20SP	06ALL	2	TO->FROM	G15_031_115	KRESS INTERCHANGE - SWISHER COUNTY INTERCHANGE 115KV CKT 1	234.4	0.43387	115.512	SPP-SWPS-25	
20SP	06ALL	2	TO->FROM	G15_031_115	KRESS INTERCHANGE - SWISHER COUNTY INTERCHANGE 115KV CKT 1	234.4	0.43387	115.512	SPP-SWPS-T28	
15G	06ALL	2	TO->FROM	G15_031_115	KRESS INTERCHANGE - SWISHER COUNTY INTERCHANGE 115KV CKT 1	237.4	0.55947	115.2957	SWISHER COUNTY INTERCHANGE (UPDATE LATER) 230/115/13.2KV TRANSFORMER CKT 1	
15G	06ALL	2	TO->FROM	G15_031_115	KRESS INTERCHANGE - SWISHER COUNTY INTERCHANGE 115KV CKT 1	237.4	0.55947	115.2115	SWISHER COUNTY INTERCHANGE (SWISHER2) 230/115/13.2KV TRANSFORMER CKT 1	

SEASON	GROUP	SCENARIO	DIRECTION	SOURCE	MONITORED ELEMENT	RATE	CONTINGENCY		
						(MVA)	TDF	LOADING %	CONTINGENCY
15SP	06ALL	2	TO->FROM	G15_031_115	KRESS INTERCHANGE - SWISHER COUNTY INTERCHANGE 115KV CKT 1	234.4	0.35548	114.9121	KRESS INTERCHANGE - NEWHART 115KV CKT 1
15WP	06ALL	2	TO->FROM	G15_031_115	KRESS INTERCHANGE - SWISHER COUNTY INTERCHANGE 115KV CKT 1	234.4	0.35548	114.9121	KRESS INTERCHANGE - NEWHART 115KV CKT 1
20SP	06ALL	2	TO->FROM	G15_031_115	KRESS INTERCHANGE - SWISHER COUNTY INTERCHANGE 115KV CKT 1	234.4	0.35548	114.9121	KRESS INTERCHANGE - NEWHART 115KV CKT 1
15G	06ALL	2	TO->FROM	G15_031_115	KRESS INTERCHANGE - SWISHER COUNTY INTERCHANGE 115KV CKT 1	237.4	0.46706	114.535	AMARILLO SOUTH INTERCHANGE - SWISHER COUNTY INTERCHANGE 230KV CKT 1
15G	06NR	2	TO->FROM	G15_031_115	KRESS INTERCHANGE - SWISHER COUNTY INTERCHANGE 115KV CKT 1	237.8	0.56553	113.86	SWISHER COUNTY INTERCHANGE (UPDATE LATER) 230/115/13.2KV TRANSFORMER CKT 1
15G	06NR	2	TO->FROM	G15_031_115	KRESS INTERCHANGE - SWISHER COUNTY INTERCHANGE 115KV CKT 1	237.8	0.56553	113.6497	SWISHER COUNTY INTERCHANGE (SWISHER2) 230/115/13.2KV TRANSFORMER CKT 1
15G	06ALL	2	TO->FROM	G15_031_115	KRESS INTERCHANGE - SWISHER COUNTY INTERCHANGE 115KV CKT 1	237.4	0.49468	109.6891	SWISHER COUNTY INTERCHANGE - TUCO_2 230.00 230KV CKT 1
15G	06ALL	2	TO->FROM	G15_031_115	KRESS INTERCHANGE - SWISHER COUNTY INTERCHANGE 115KV CKT 1	216.3	0.43203	108.1951	BASE CASE
15G	06NR	2	TO->FROM	G15_031_115	KRESS INTERCHANGE - SWISHER COUNTY INTERCHANGE 115KV CKT 1	237.8	0.46968	108.0757	AMARILLO SOUTH INTERCHANGE - SWISHER COUNTY INTERCHANGE 230KV CKT 1
15G	06NR	2	TO->FROM	G15_031_115	KRESS INTERCHANGE - SWISHER COUNTY INTERCHANGE 115KV CKT 1	216.6	0.43984	106.1643	BASE CASE
15G	06ALL	2	TO->FROM	G15_031_115	KRESS INTERCHANGE - SWISHER COUNTY INTERCHANGE 115KV CKT 1	237.4	0.40604	104.7136	NEWHART 230 (WAUK WT01105) 230/115/13.2KV TRANSFORMER CKT 1
15G	06NR	2	TO->FROM	G15_031_115	KRESS INTERCHANGE - SWISHER COUNTY INTERCHANGE 115KV CKT 1	237.8	0.50179	103.3797	SWISHER COUNTY INTERCHANGE - TUCO_2 230.00 230KV CKT 1
15G	06ALL	2	TO->FROM	G15_031_115	KRESS INTERCHANGE - SWISHER COUNTY INTERCHANGE 115KV CKT 1	237.4	0.43739	102.6782	NEWHART 230 - POTTER COUNTY INTERCHANGE 230KV CKT 1
15G	06ALL	2	TO->FROM	G15_031_115	KRESS INTERCHANGE - SWISHER COUNTY INTERCHANGE 115KV CKT 1	237.4	0.42667	102.2839	PLANT X STATION (WH ALM20171) 230/115/13.2KV TRANSFORMER CKT 1
15G	06ALL	2	TO->FROM	G15_031_115	KRESS INTERCHANGE - SWISHER COUNTY INTERCHANGE 115KV CKT 1	237.4	0.43203	101.9065	G11_025_2 34.500 34.5/0.69KV TRANSFORMER CKT 1
15G	06ALL	2	TO->FROM	G15_031_115	KRESS INTERCHANGE - SWISHER COUNTY INTERCHANGE 115KV CKT 1	237.4	0.43203	101.8644	G11_025_1 115.00 115/34.5KV TRANSFORMER CKT 1
15G	06ALL	2	TO->FROM	G15_031_115	KRESS INTERCHANGE - SWISHER COUNTY INTERCHANGE 115KV CKT 1	237.4	0.43203	101.8644	G11_025T 115.00 - G11_025_1 115.00 115KV CKT 1
15G	06ALL	2	TO->FROM	G15_031_115	KRESS INTERCHANGE - SWISHER COUNTY INTERCHANGE 115KV CKT 1	237.4	0.42933	101.6049	FLOYD COUNTY INTERCHANGE - G11_025T 115.00 115KV CKT 1
15G	06NR	2	TO->FROM	G15_031_115	KRESS INTERCHANGE - SWISHER COUNTY INTERCHANGE 115KV CKT 1	237.8	0.43291	100.7876	PLANT X STATION (WH ALM20171) 230/115/13.2KV TRANSFORMER CKT 1
15G	06ALL	2	TO->FROM	G15_031_115	KRESS INTERCHANGE - SWISHER COUNTY INTERCHANGE 115KV CKT 1	237.4	0.43203	100.4322	CASTRO COUNTY INTERCHANGE - G14_040_1 115.00 115KV CKT 1
15G	06ALL	2	TO->FROM	G15_031_115	KRESS INTERCHANGE - SWISHER COUNTY INTERCHANGE 115KV CKT 1	237.4	0.43203	100.4322	G14_040_2 34.500 34.5/0.69KV TRANSFORMER CKT 1
15G	06ALL	2	TO->FROM	G15_031_115	KRESS INTERCHANGE - SWISHER COUNTY INTERCHANGE 115KV CKT 1	237.4	0.43366	100.2241	TUCO_2 345.00 (TUCO_2 XFMR) 345/230/13.2KV TRANSFORMER CKT 1
15G	06ALL	2	TO->FROM	G15_031_115	KRESS INTERCHANGE - SWISHER COUNTY INTERCHANGE 115KV CKT 1	237.4	0.43203	100.1373	G08-22 34.500 34.5/0.69KV TRANSFORMER CKT 1
15G	06ALL	2	TO->FROM	G15_031_115	KRESS INTERCHANGE - SWISHER COUNTY INTERCHANGE 115KV CKT 1	237.4	0.43203	100.0952	CROSSROADS 345.00 - G08-22 345.00 345KV CKT 1
15G	06ALL	2	TO->FROM	G15_031_115	KRESS INTERCHANGE - SWISHER COUNTY INTERCHANGE 115KV CKT 1	237.4	0.43203	100.0952	G08-22 345.00 345/34.5KV TRANSFORMER CKT 1
15G	06ALL	2	TO->FROM	G15_031_115	KRESS INTERCHANGE - SWISHER COUNTY INTERCHANGE 115KV CKT 1	237.4	0.43203	100.0952	G15_010_1 230.00 230/34.5KV TRANSFORMER CKT 1
15G	06ALL	2	TO->FROM	G15_031_115	KRESS INTERCHANGE - SWISHER COUNTY INTERCHANGE 115KV CKT 1	237.4	0.43203	100.0952	G15_010_2 34.500 34.5/0.69KV TRANSFORMER CKT 1
15G	06ALL	2	TO->FROM	G15_031_115	KRESS INTERCHANGE - SWISHER COUNTY INTERCHANGE 115KV CKT 1	237.4	0.43203	100.0952	G15-010T 230.00 - G15_010_1 230.00 230KV CKT 1
25SP	00NR	3	FROM->TO	G15_031_115	EDDY_NORTH 6230.00 (WAUK WT01134) 230/115/13.2KV TRANSFORMER CKT 2	285.3	0.0313	103.5366	EDDY COUNTY INTERCHANGE - EDDY_NORTH 6230.00 230KV CKT @1
25SP	00NR	3	FROM->TO	G15_031_115	EDDY_NORTH 6230.00 (WAUK WT01134) 230/115/13.2KV TRANSFORMER CKT 2	286.5	0.0313	103.0332	EDDY COUNTY INTERCHANGE - EDDY_NORTH 6230.00 230KV CKT @1
15G	06ALL	0	TO->FROM	G15_032_230	CIMARRON - MINCO 345KV CKT 1	953.6	0.21929	110.0281	G14-057T 345.00 - SUNNYSIDE 345KV CKT 1
15G	06ALL	0	TO->FROM	G15_032_230	CIMARRON - MINCO 345KV CKT 1	953.6	0.21929	107.784	G14-057T 345.00 - LAWTON EASTSIDE 345KV CKT 1
15SP	06ALL	0	TO->FROM	G15_032_230	CIMARRON - MINCO 345KV CKT 1	955.4	0.22222	102.8275	G14-057T 345.00 - SUNNYSIDE 345KV CKT 1
15WP	06ALL	0	TO->FROM	G15_032_230	CIMARRON - MINCO 345KV CKT 1	955.4	0.22222	102.8275	G14-057T 345.00 - SUNNYSIDE 345KV CKT 1
20SP	06ALL	0	TO->FROM	G15_032_230	CIMARRON - MINCO 345KV CKT 1	955.4	0.22222	102.8275	G14-057T 345.00 - SUNNYSIDE 345KV CKT 1
15SP	06ALL	0	TO->FROM	G15_032_230	CIMARRON - MINCO 345KV CKT 1	955.4	0.22222	100.5248	G14-057T 345.00 - LAWTON EASTSIDE 345KV CKT 1
15WP	06ALL	0	TO->FROM	G15_032_230	CIMARRON - MINCO 345KV CKT 1	955.4	0.22222	100.5248	G14-057T 345.00 - LAWTON EASTSIDE 345KV CKT 1
20SP	06ALL	0	TO->FROM	G15_032_230	CIMARRON - MINCO 345KV CKT 1	955.4	0.22222	100.5248	G14-057T 345.00 - LAWTON EASTSIDE 345KV CKT 1
25SP	00NR	0	FROM->TO	G15_032_230	EDDY_NORTH 6230.00 (WAUK WT01134) 230/115/13.2KV TRANSFORMER CKT 2	285.3	0.03782	104.2222	EDDY COUNTY INTERCHANGE - EDDY_NORTH 6230.00 230KV CKT @1
25SP	00NR	0	FROM->TO	G15_032_230	EDDY_NORTH 6230.00 (WAUK WT01134) 230/115/13.2KV TRANSFORMER CKT 2	286.5	0.03782	103.681	EDDY COUNTY INTERCHANGE - EDDY_NORTH 6230.00 230KV CKT @1
25SP	00NR	2	FROM->TO	G15_032_230_6	EDDY_NORTH 6230.00 (WAUK WT01134) 230/115/13.2KV TRANSFORMER CKT 2	285.3	0.03783	104.2233	EDDY COUNTY INTERCHANGE - EDDY_NORTH 6230.00 230KV CKT @1
25SP	00NR	2	FROM->TO	G15_032_230_6	EDDY_NORTH 6230.00 (WAUK WT01134) 230/115/13.2KV TRANSFORMER CKT 2	286.5	0.03783	103.7169	EDDY COUNTY INTERCHANGE - EDDY_NORTH 6230.00 230KV CKT @1
25SP	00NR	3	FROM->TO	G15_032_230_6	EDDY_NORTH 6230.00 (WAUK WT01134) 230/115/13.2KV TRANSFORMER CKT 2	285.3	0.03783	104.2233	EDDY COUNTY INTERCHANGE - EDDY_NORTH 6230.00 230KV CKT @1
25SP	00NR	3	FROM->TO	G15_032_230_6	EDDY_NORTH 6230.00 (WAUK WT01134) 230/115/13.2KV TRANSFORMER CKT 2	286.5	0.03783	103.7169	EDDY COUNTY INTERCHANGE - EDDY_NORTH 6230.00 230KV CKT @1

SEASON	GROUP	SCENARIO	DIRECTION	SOURCE	MONITORED ELEMENT	RATE (MVA)	TDF	CONTINGENCY	
								LOADING %	CONTINGENCY
20WP	06ALL	0	TO->FROM	G15_031_115	CIMARRON - MINCO 345KV CKT 1	955.9	0.21892	110.64	G14-057T 345.00 - SUNNYSIDE 345KV CKT 1
15G	06ALL	0	TO->FROM	G15_031_115	CIMARRON - MINCO 345KV CKT 1	953.6	0.22347	110.0162	G14-057T 345.00 - SUNNYSIDE 345KV CKT 1
20WP	06ALL	0	TO->FROM	G15_031_115	CIMARRON - MINCO 345KV CKT 1	955.9	0.21892	108.3804	G14-057T 345.00 - LAWTON EASTSIDE 345KV CKT 1
15G	06ALL	0	TO->FROM	G15_031_115	CIMARRON - MINCO 345KV CKT 1	953.6	0.22347	107.772	G14-057T 345.00 - LAWTON EASTSIDE 345KV CKT 1
15WP	06ALL	0	TO->FROM	G15_031_115	CIMARRON - MINCO 345KV CKT 1	955.8	0.22961	106.646	G14-057T 345.00 - SUNNYSIDE 345KV CKT 1
15WP	06ALL	0	TO->FROM	G15_031_115	CIMARRON - MINCO 345KV CKT 1	955.8	0.22961	104.4175	G14-057T 345.00 - LAWTON EASTSIDE 345KV CKT 1
15SP	06ALL	0	TO->FROM	G15_031_115	CIMARRON - MINCO 345KV CKT 1	955.4	0.22617	102.8105	G14-057T 345.00 - SUNNYSIDE 345KV CKT 1
15SP	06ALL	0	TO->FROM	G15_031_115	CIMARRON - MINCO 345KV CKT 1	955.4	0.22617	100.5078	G14-057T 345.00 - LAWTON EASTSIDE 345KV CKT 1
25SP	00NR	0	FROM->TO	G15_031_115	EDDY_NORTH 6230.00 (WAUK WT01134) 230/115/13.2KV TRANSFORMER CKT 2	285.3	0.03153	103.5608	EDDY COUNTY INTERCHANGE - EDDY_NORTH 6230.00 230KV CKT @1
25SP	00NR	0	FROM->TO	G15_031_115	EDDY_NORTH 6230.00 (WAUK WT01134) 230/115/13.2KV TRANSFORMER CKT 2	286.5	0.03153	103.0223	EDDY COUNTY INTERCHANGE - EDDY_NORTH 6230.00 230KV CKT @1
15G	06ALL	0	TO->FROM	G15_031_115	HALE CO INTERCHANGE - KRESS INTERCHANGE 115KV CKT 1	153.9	0.29884	107.0488	SWISHER COUNTY INTERCHANGE (GE M101686) 230/115/13.2KV TRANSFORMER CKT 1
25SP	06ALL	0	TO->FROM	G15_031_115	HALE CO INTERCHANGE - KRESS INTERCHANGE 115KV CKT 1	153.6	0.29205	101.7422	SWISHER COUNTY INTERCHANGE (UPDATE LATER) 230/115/13.2KV TRANSFORMER CKT 1
15G	06ALL	0	FROM->TO	G15_031_115	KRESS INTERCHANGE - NEWHART 115KV CKT 1	174.7	0.35132	107.1265	SWISHER COUNTY INTERCHANGE (GE M101686) 230/115/13.2KV TRANSFORMER CKT 1
15WP	06ALL	0	FROM->TO	G15_031_115	KRESS INTERCHANGE - NEWHART 115KV CKT 1	193.9	0.36991	106.4817	SWISHER COUNTY INTERCHANGE (UPDATE LATER) 230/115/13.2KV TRANSFORMER CKT 1
20WP	06ALL	0	FROM->TO	G15_031_115	KRESS INTERCHANGE - NEWHART 115KV CKT 1	194	0.36998	105.3598	SWISHER COUNTY INTERCHANGE (UPDATE LATER) 230/115/13.2KV TRANSFORMER CKT 1
25SP	06ALL	0	TO->FROM	G15_031_115	KRESS INTERCHANGE - SWISHER COUNTY INTERCHANGE 115KV CKT 1	232.4	1	176.463	SWISHER COUNTY INTERCHANGE (UPDATE LATER) 230/115/13.2KV TRANSFORMER CKT 1
20SP	06ALL	0	TO->FROM	G15_031_115	KRESS INTERCHANGE - SWISHER COUNTY INTERCHANGE 115KV CKT 1	234.7	1	174.8189	SWISHER COUNTY INTERCHANGE (UPDATE LATER) 230/115/13.2KV TRANSFORMER CKT 1
15SP	06ALL	0	TO->FROM	G15_031_115	KRESS INTERCHANGE - SWISHER COUNTY INTERCHANGE 115KV CKT 1	236.8	1	173.3108	SWISHER COUNTY INTERCHANGE (UPDATE LATER) 230/115/13.2KV TRANSFORMER CKT 1
20SP	00NR	0	TO->FROM	G15_031_115	KRESS INTERCHANGE - SWISHER COUNTY INTERCHANGE 115KV CKT 1	236.7	1	173.2995	SWISHER COUNTY INTERCHANGE (UPDATE LATER) 230/115/13.2KV TRANSFORMER CKT 1
15SP	00NR	0	TO->FROM	G15_031_115	KRESS INTERCHANGE - SWISHER COUNTY INTERCHANGE 115KV CKT 1	238.3	1	172.1779	SWISHER COUNTY INTERCHANGE (UPDATE LATER) 230/115/13.2KV TRANSFORMER CKT 1
15G	06ALL	0	TO->FROM	G15_031_115	KRESS INTERCHANGE - SWISHER COUNTY INTERCHANGE 115KV CKT 1	238.8	1	171.943	SWISHER COUNTY INTERCHANGE (GE M101686) 230/115/13.2KV TRANSFORMER CKT 1
15G	06NR	0	TO->FROM	G15_031_115	KRESS INTERCHANGE - SWISHER COUNTY INTERCHANGE 115KV CKT 1	239	1	171.7992	SWISHER COUNTY INTERCHANGE (GE M101686) 230/115/13.2KV TRANSFORMER CKT 1
25SP	00NR	0	TO->FROM	G15_031_115	KRESS INTERCHANGE - SWISHER COUNTY INTERCHANGE 115KV CKT 1	212	0.57292	160.4132	BASE CASE
15WP	00NR	0	TO->FROM	G15_031_115	KRESS INTERCHANGE - SWISHER COUNTY INTERCHANGE 115KV CKT 1	263.5	1	155.8254	SWISHER COUNTY INTERCHANGE (UPDATE LATER) 230/115/13.2KV TRANSFORMER CKT 1
20WP	00NR	0	TO->FROM	G15_031_115	KRESS INTERCHANGE - SWISHER COUNTY INTERCHANGE 115KV CKT 1	263.8	1	155.6482	SWISHER COUNTY INTERCHANGE (UPDATE LATER) 230/115/13.2KV TRANSFORMER CKT 1
15WP	06ALL	0	TO->FROM	G15_031_115	KRESS INTERCHANGE - SWISHER COUNTY INTERCHANGE 115KV CKT 1	264.3	1	155.3538	SWISHER COUNTY INTERCHANGE (UPDATE LATER) 230/115/13.2KV TRANSFORMER CKT 1
20WP	06ALL	0	TO->FROM	G15_031_115	KRESS INTERCHANGE - SWISHER COUNTY INTERCHANGE 115KV CKT 1	264.9	1	155.0019	SWISHER COUNTY INTERCHANGE (UPDATE LATER) 230/115/13.2KV TRANSFORMER CKT 1
25SP	00NR	0	TO->FROM	G15_031_115	KRESS INTERCHANGE - SWISHER COUNTY INTERCHANGE 115KV CKT 1	233.5	0.6113	154.5139	SWISHER COUNTY INTERCHANGE - TUCO_2 230.00 230KV CKT 1
25SP	00NR	0	TO->FROM	G15_031_115	KRESS INTERCHANGE - SWISHER COUNTY INTERCHANGE 115KV CKT 1	233.5	0.56822	149.236	PLANT X STATION (WH ALM20171) 230/115/13.2KV TRANSFORMER CKT 1
25SP	00NR	0	TO->FROM	G15_031_115	KRESS INTERCHANGE - SWISHER COUNTY INTERCHANGE 115KV CKT 1	233.5	0.57098	149.2052	TUCO INTERCHANGE (GE M102345) 230/115/13.2KV TRANSFORMER CKT 1
25SP	00NR	0	TO->FROM	G15_031_115	KRESS INTERCHANGE - SWISHER COUNTY INTERCHANGE 115KV CKT 1	233.5	0.57805	149.1713	TUCO INTERCHANGE - TUCO_2 230.00 230KV CKT 1
25SP	00NR	0	TO->FROM	G15_031_115	KRESS INTERCHANGE - SWISHER COUNTY INTERCHANGE 115KV CKT 1	233.5	0.57111	148.9649	TUCO INTERCHANGE (ENRCO 136401) 230/115/13.2KV TRANSFORMER CKT 2
20SP	00NR	0	TO->FROM	G15_031_115	KRESS INTERCHANGE - SWISHER COUNTY INTERCHANGE 115KV CKT 1	215.5	0.57455	148.3364	BASE CASE
25SP	00NR	0	TO->FROM	G15_031_115	KRESS INTERCHANGE - SWISHER COUNTY INTERCHANGE 115KV CKT 1	233.5	0.52936	148.3118	PALO DURO SUB - RANDALL COUNTY INTERCHANGE 115KV CKT 1
25SP	00NR	0	TO->FROM	G15_031_115	KRESS INTERCHANGE - SWISHER COUNTY INTERCHANGE 115KV CKT 1	233.5	0.57426	148.1276	JONES STATION - TUCO INTERCHANGE 230KV CKT 1
25SP	00NR	0	TO->FROM	G15_031_115	KRESS INTERCHANGE - SWISHER COUNTY INTERCHANGE 115KV CKT 1	233.5	0.56574	147.9323	NEWHART 230 (UPDATE LATER) 230/115/13.2KV TRANSFORMER CKT 2
25SP	00NR	0	TO->FROM	G15_031_115	KRESS INTERCHANGE - SWISHER COUNTY INTERCHANGE 115KV CKT 1	233.5	0.56574	147.9323	NEWHART 230 (WAUK WT01105) 230/115/13.2KV TRANSFORMER CKT 1
25SP	00NR	0	TO->FROM	G15_031_115	KRESS INTERCHANGE - SWISHER COUNTY INTERCHANGE 115KV CKT 1	233.5	0.56788	147.9075	FLOYD COUNTY INTERCHANGE - TUCO INTERCHANGE 115KV CKT 1
25SP	00NR	0	TO->FROM	G15_031_115	KRESS INTERCHANGE - SWISHER COUNTY INTERCHANGE 115KV CKT 1	233.5	0.57292	147.8364	TOLK STATION WEST 230/24.0KV TRANSFORMER CKT 1
25SP	00NR	0	TO->FROM	G15_031_115	KRESS INTERCHANGE - SWISHER COUNTY INTERCHANGE 115KV CKT 1	233.5	0.52936	147.7979	HAPPY INTERCHANGE - PALO DURO SUB 115KV CKT 1
25SP	00NR	0	TO->FROM	G15_031_115	KRESS INTERCHANGE - SWISHER COUNTY INTERCHANGE 115KV CKT 1	233.5	0.52936	147.7979	SPP-SWPS-T66
25SP	00NR	0	TO->FROM	G15_031_115	KRESS INTERCHANGE - SWISHER COUNTY INTERCHANGE 115KV CKT 1	233.5	0.57292	147.7974	TOLK STATION EAST 230/24.0KV TRANSFORMER CKT 1
25SP	00NR	0	TO->FROM	G15_031_115	KRESS INTERCHANGE - SWISHER COUNTY INTERCHANGE 115KV CKT 1	233.5	0.57454	147.4355	TUCO_2 345.00 - YOAKUM_345 345.00 345KV CKT 1
25SP	00NR	0	TO->FROM	G15_031_115	KRESS INTERCHANGE - SWISHER COUNTY INTERCHANGE 115KV CKT 1	233.5	0.57365	147.4068	CARLISLE INTERCHANGE - TUCO INTERCHANGE 230KV CKT 1
25SP	00NR	0	TO->FROM	G15_031_115	KRESS INTERCHANGE - SWISHER COUNTY INTERCHANGE 115KV CKT 1	233.5	0.57254	147.0929	LAMB COUNTY INTERCHANGE - TOLK STATION WEST 230KV CKT 1
25SP	00NR	0	TO->FROM	G15_031_115	KRESS INTERCHANGE - SWISHER COUNTY INTERCHANGE 115KV CKT 1	233.5	0.56539	146.6026	HALE CO INTERCHANGE - PLANT X STATION 115KV CKT 1
15SP	00NR	0	TO->FROM	G15_031_115	KRESS INTERCHANGE - SWISHER COUNTY INTERCHANGE 115KV CKT 1	217.2	0.57397	141.8467	BASE CASE
25SP	00NR	0	TO->FROM	G15_031_115	KRESS INTERCHANGE - SWISHER COUNTY INTERCHANGE 115KV CKT 1	233.5	0.4801	141.2976	KRESS INTERCHANGE - NEWHART 115KV CKT 1
20SP	00NR	0	TO->FROM	G15_031_115	KRESS INTERCHANGE - SWISHER COUNTY INTERCHANGE 115KV CKT 1	236.7	0.61569	138.8285	SWISHER COUNTY INTERCHANGE - TUCO_2 230.00 230KV CKT 1
20SP	00NR	0	TO->FROM	G15_031_115	KRESS INTERCHANGE - SWISHER COUNTY INTERCHANGE 115KV CKT 1	236.7	0.57277	137.6468	TUCO INTERCHANGE (GE M102345) 230/115/13.2KV TRANSFORMER CKT 1
20SP	00NR	0	TO->FROM	G15_031_115	KRESS INTERCHANGE - SWISHER COUNTY INTERCHANGE 115KV CKT 1	236.7	0.59168	137.6443	AMARILLO SOUTH INTERCHANGE - SWISHER COUNTY INTERCHANGE 230KV CKT 1
20SP	00NR	0	TO->FROM	G15_031_115	KRESS INTERCHANGE - SWISHER COUNTY INTERCHANGE 115KV CKT 1	236.7	0.57282	137.493	TUCO INTERCHANGE (ENRCO 136401) 230/115/13.2KV TRANSFORMER CKT 2
20SP	00NR	0	TO->FROM	G15_031_115	KRESS INTERCHANGE - SWISHER COUNTY INTERCHANGE 115KV CKT 1	236.7	0.57068	137.0528	PLANT X STATION (WH ALM20171) 230/115/13.2KV TRANSFORMER CKT 1
20SP	00NR	0	TO->FROM	G15_031_115	KRESS INTERCHANGE - SWISHER COUNTY INTERCHANGE 115KV CKT 1	236.7	0.56945	136.9814	FLOYD COUNTY INTERCHANGE - TUCO INTERCHANGE 115KV CKT 1
20SP	00NR	0	TO->FROM	G15_031_115	KRESS INTERCHANGE - SWISHER COUNTY INTERCHANGE 115KV CKT 1	236.7	0.57455	136.5868	TOLK STATION WEST 230/24.0KV TRANSFORMER CKT 1
20SP	00NR	0	TO->FROM	G15_031_115	KRESS INTERCHANGE - SWISHER COUNTY INTERCHANGE 115KV CKT 1	236.7	0.57455	136.4778	TOLK STATION EAST 230/24.0KV TRANSFORMER CKT 1
20SP	00NR	0	TO->FROM	G15_031_115	KRESS INTERCHANGE - SWISHER COUNTY INTERCHANGE 115KV CKT 1	236.7	0.56764	136.414	NEWHART 230 (UPDATE LATER) 230/115/13.2KV TRANSFORMER CKT 2
20SP	00NR	0	TO->FROM	G15_031_115	KRESS INTERCHANGE - SWISHER COUNTY INTERCHANGE 115KV CKT 1	236.7	0.56764	136.414	NEWHART 230 (WAUK WT01105) 230/115/13.2KV TRANSFORMER CKT 1
20SP	00NR	0	TO->FROM	G15_031_115	KRESS INTERCHANGE - SWISHER COUNTY INTERCHANGE 115KV CKT 1	236.7	0.56673	136.2564	HALE CO INTERCHANGE - PLANT X STATION 115KV CKT 1
20SP	00NR	0	TO->FROM	G15_031_115	KRESS INTERCHANGE - SWISHER COUNTY INTERCHANGE 115KV CKT 1	236.7	0.57124	136.2366	CROSBY COUNTY INTERCHANGE - LUBBOCK EAST INTERCHANGE 115KV CKT 1
20SP	00NR	0	TO->FROM	G15_031_115	KRESS INTERCHANGE - SWISHER COUNTY INTERCHANGE 115KV CKT 1	236.7	0.56967	135.7841	SPP-SWPS-25
20SP	00NR	0	TO->FROM	G15_031_115	KRESS INTERCHANGE - SWISHER COUNTY INTERCHANGE 115KV CKT 1	236.7	0.56967	135.7841	SPP-SWPS-T28
15SP	00NR	0	TO->FROM	G15_031_115	KRESS INTERCHANGE - SWISHER COUNTY INTERCHANGE 115KV CKT 1	238.3	0.59072	134.585	AMARILLO SOUTH INTERCHANGE - SWISHER COUNTY INTERCHANGE 230KV CKT 1
20SP	00NR	0	TO->FROM	G15_031_115	KRESS INTERCHANGE - SWISHER COUNTY INTERCHANGE 115KV CKT 1	236.7	0.53282	132.9725	PALO DURO SUB - RANDALL COUNTY INTERCHANGE 115KV CKT 1
20SP	00NR	0	TO->FROM	G15_031_115	KRESS INTERCHANGE - SWISHER COUNTY INTERCHANGE 115KV CKT 1	236.7	0.53282	132.5923	SPP-SWPS-T66

SEASON	GROUP	SCENARIO	DIRECTION	SOURCE	MONITORED ELEMENT	RATE		CONTINGENCY	
						(MVA)	TDF	LOADING %	CONTINGENCY
15SP	00NR		0 TO->FROM	G15_031_115	KRESS INTERCHANGE - SWISHER COUNTY INTERCHANGE 115KV CKT 1	238.3	0.56914	132.4138	PLANT X STATION (WH ALM20171) 230/115/13.2KV TRANSFORMER CKT 1
15SP	00NR		0 TO->FROM	G15_031_115	KRESS INTERCHANGE - SWISHER COUNTY INTERCHANGE 115KV CKT 1	238.3	0.61539	131.6479	SWISHER COUNTY INTERCHANGE - TUCO_2 230.00 230KV CKT 1
15SP	00NR		0 TO->FROM	G15_031_115	KRESS INTERCHANGE - SWISHER COUNTY INTERCHANGE 115KV CKT 1	238.3	0.57219	131.4129	TUCO INTERCHANGE (GE M102345) 230/115/13.2KV TRANSFORMER CKT 1
15SP	00NR		0 TO->FROM	G15_031_115	KRESS INTERCHANGE - SWISHER COUNTY INTERCHANGE 115KV CKT 1	238.3	0.57273	131.2589	TUCO INTERCHANGE (ENRCO 136401) 230/115/13.2KV TRANSFORMER CKT 2
15SP	00NR		0 TO->FROM	G15_031_115	KRESS INTERCHANGE - SWISHER COUNTY INTERCHANGE 115KV CKT 1	238.3	0.56849	130.9052	FLOYD COUNTY INTERCHANGE - TUCO INTERCHANGE 115KV CKT 1
15SP	00NR		0 TO->FROM	G15_031_115	KRESS INTERCHANGE - SWISHER COUNTY INTERCHANGE 115KV CKT 1	238.3	0.57397	130.8716	TOLK STATION EAST 230/24.0KV TRANSFORMER CKT 1
15SP	00NR		0 TO->FROM	G15_031_115	KRESS INTERCHANGE - SWISHER COUNTY INTERCHANGE 115KV CKT 1	238.3	0.57397	130.7608	TOLK STATION WEST 230/24.0KV TRANSFORMER CKT 1
15SP	00NR		0 TO->FROM	G15_031_115	KRESS INTERCHANGE - SWISHER COUNTY INTERCHANGE 115KV CKT 1	238.3	0.57084	130.3617	CROSBY COUNTY INTERCHANGE - LUBBOCK EAST INTERCHANGE 115KV CKT 1
15SP	00NR		0 TO->FROM	G15_031_115	KRESS INTERCHANGE - SWISHER COUNTY INTERCHANGE 115KV CKT 1	238.3	0.56635	130.3	HALE CO INTERCHANGE - PLANT X STATION 115KV CKT 1
15SP	00NR		0 TO->FROM	G15_031_115	KRESS INTERCHANGE - SWISHER COUNTY INTERCHANGE 115KV CKT 1	238.3	0.56693	130.2472	NEWHART 230 (UPDATE LATER) 230/115/13.2KV TRANSFORMER CKT 2
15SP	00NR		0 TO->FROM	G15_031_115	KRESS INTERCHANGE - SWISHER COUNTY INTERCHANGE 115KV CKT 1	238.3	0.56693	130.2472	NEWHART 230 (WAUK W01105) 230/115/13.2KV TRANSFORMER CKT 1
20SP	00NR		0 TO->FROM	G15_031_115	KRESS INTERCHANGE - SWISHER COUNTY INTERCHANGE 115KV CKT 1	236.7	0.48187	129.8103	KRESS INTERCHANGE - NEWHART 115KV CKT 1
15SP	00NR		0 TO->FROM	G15_031_115	KRESS INTERCHANGE - SWISHER COUNTY INTERCHANGE 115KV CKT 1	238.3	0.57397	127.9022	AIKEN RURAL SUB - COX INTERCHANGE 69KV CKT 1
15SP	00NR		0 TO->FROM	G15_031_115	KRESS INTERCHANGE - SWISHER COUNTY INTERCHANGE 115KV CKT 1	238.3	0.57397	127.6504	PLAINVIEW CTY - WEST PLAINVIEW SUB 69KV CKT 1
15SP	00NR		0 TO->FROM	G15_031_115	KRESS INTERCHANGE - SWISHER COUNTY INTERCHANGE 115KV CKT 1	238.3	0.55453	127.637	HALE CO INTERCHANGE - TUCO INTERCHANGE 115KV CKT 1
15SP	00NR		0 TO->FROM	G15_031_115	KRESS INTERCHANGE - SWISHER COUNTY INTERCHANGE 115KV CKT 1	238.3	0.57397	127.5245	KISER 3115.00 (VON 13818/2) 115/69/13.2KV TRANSFORMER CKT 1
25SP	06ALL		0 TO->FROM	G15_031_115	KRESS INTERCHANGE - SWISHER COUNTY INTERCHANGE 115KV CKT 1	232.4	0.52037	124.0947	KRESS INTERCHANGE - TULIA TAP 115KV CKT 1
15SP	00NR		0 TO->FROM	G15_031_115	KRESS INTERCHANGE - SWISHER COUNTY INTERCHANGE 115KV CKT 1	238.3	0.48108	123.8036	KRESS INTERCHANGE - NEWHART 115KV CKT 1
15G	06NR		0 TO->FROM	G15_031_115	KRESS INTERCHANGE - SWISHER COUNTY INTERCHANGE 115KV CKT 1	218	0.56553	122.917	BASE CASE
25SP	06ALL		0 TO->FROM	G15_031_115	KRESS INTERCHANGE - SWISHER COUNTY INTERCHANGE 115KV CKT 1	232.4	0.52037	122.6145	SPP-SWPS-T67
15G	06NR		0 TO->FROM	G15_031_115	KRESS INTERCHANGE - SWISHER COUNTY INTERCHANGE 115KV CKT 1	239	0.58476	120.472	AMARILLO SOUTH INTERCHANGE - SWISHER COUNTY INTERCHANGE 230KV CKT 1
15G	06NR		0 TO->FROM	G15_031_115	KRESS INTERCHANGE - SWISHER COUNTY INTERCHANGE 115KV CKT 1	239	0.60619	116.3	SWISHER COUNTY INTERCHANGE - TUCO_2 230.00 230KV CKT 1
20SP	06ALL		0 TO->FROM	G15_031_115	KRESS INTERCHANGE - SWISHER COUNTY INTERCHANGE 115KV CKT 1	234.7	0.52048	115.2373	KRESS INTERCHANGE - TULIA TAP 115KV CKT 1
15G	06NR		0 TO->FROM	G15_031_115	KRESS INTERCHANGE - SWISHER COUNTY INTERCHANGE 115KV CKT 1	239	0.55911	115.1602	PLANT X STATION (WH ALM20171) 230/115/13.2KV TRANSFORMER CKT 1
15G	06NR		0 TO->FROM	G15_031_115	KRESS INTERCHANGE - SWISHER COUNTY INTERCHANGE 115KV CKT 1	239	0.56553	114.3812	TOLK STATION EAST 230/24.0KV TRANSFORMER CKT 1
15G	06NR		0 TO->FROM	G15_031_115	KRESS INTERCHANGE - SWISHER COUNTY INTERCHANGE 115KV CKT 1	239	0.56553	114.2088	G11_025_2 34.500 34.5/0.69KV TRANSFORMER CKT 1
15G	06NR		0 TO->FROM	G15_031_115	KRESS INTERCHANGE - SWISHER COUNTY INTERCHANGE 115KV CKT 1	239	0.56553	114.167	G11_025_1 115.00 115/34.5KV TRANSFORMER CKT 1
15G	06NR		0 TO->FROM	G15_031_115	KRESS INTERCHANGE - SWISHER COUNTY INTERCHANGE 115KV CKT 1	239	0.56553	114.167	G11_025T 115.00 - G11_025_1 115.00 115KV CKT 1
15G	06NR		0 TO->FROM	G15_031_115	KRESS INTERCHANGE - SWISHER COUNTY INTERCHANGE 115KV CKT 1	239	0.56814	113.9506	NEWHART 230 - POTTER COUNTY INTERCHANGE 230KV CKT 1
20SP	06ALL		0 TO->FROM	G15_031_115	KRESS INTERCHANGE - SWISHER COUNTY INTERCHANGE 115KV CKT 1	234.7	0.52048	113.764	SPP-SWPS-T67
15G	06NR		0 TO->FROM	G15_031_115	KRESS INTERCHANGE - SWISHER COUNTY INTERCHANGE 115KV CKT 1	239	0.5623	113.7615	FLOYD COUNTY INTERCHANGE - G11_025T 115.00 115KV CKT 1
15G	06NR		0 TO->FROM	G15_031_115	KRESS INTERCHANGE - SWISHER COUNTY INTERCHANGE 115KV CKT 1	239	0.56553	113.5812	CASTRO COUNTY INTERCHANGE - G14_040_1 115.00 115KV CKT 1
15G	06NR		0 TO->FROM	G15_031_115	KRESS INTERCHANGE - SWISHER COUNTY INTERCHANGE 115KV CKT 1	239	0.56553	113.5812	G14_040_2 34.500 34.5/0.69KV TRANSFORMER CKT 1
15G	06NR		0 TO->FROM	G15_031_115	KRESS INTERCHANGE - SWISHER COUNTY INTERCHANGE 115KV CKT 1	239	0.55809	112.9402	HALE CO INTERCHANGE - PLANT X STATION 115KV CKT 1
15G	06NR		0 TO->FROM	G15_031_115	KRESS INTERCHANGE - SWISHER COUNTY INTERCHANGE 115KV CKT 1	239	0.55993	112.8782	SPP-SWPS-25
15G	06NR		0 TO->FROM	G15_031_115	KRESS INTERCHANGE - SWISHER COUNTY INTERCHANGE 115KV CKT 1	239	0.55993	112.8782	SPP-SWPS-T28
25SP	06ALL		0 TO->FROM	G15_031_115	KRESS INTERCHANGE - SWISHER COUNTY INTERCHANGE 115KV CKT 1	210.8	0.56701	112.8302	BASE CASE
25SP	06ALL		0 TO->FROM	G15_031_115	KRESS INTERCHANGE - SWISHER COUNTY INTERCHANGE 115KV CKT 1	232.4	0.59002	111.6231	AMARILLO SOUTH INTERCHANGE - SWISHER COUNTY INTERCHANGE 230KV CKT 1
15G	06NR		0 TO->FROM	G15_031_115	KRESS INTERCHANGE - SWISHER COUNTY INTERCHANGE 115KV CKT 1	239	0.54796	111.3757	COX INTERCHANGE - FLOYD COUNTY INTERCHANGE 115KV CKT 1
15G	06NR		0 TO->FROM	G15_031_115	KRESS INTERCHANGE - SWISHER COUNTY INTERCHANGE 115KV CKT 1	239	0.56277	110.8498	SPP-SWPS-T04
15SP	06ALL		0 TO->FROM	G15_031_115	KRESS INTERCHANGE - SWISHER COUNTY INTERCHANGE 115KV CKT 1	236.8	0.52027	107.3936	KRESS INTERCHANGE - TULIA TAP 115KV CKT 1
25SP	06ALL		0 TO->FROM	G15_031_115	KRESS INTERCHANGE - SWISHER COUNTY INTERCHANGE 115KV CKT 1	232.4	0.60691	106.3365	SWISHER COUNTY INTERCHANGE - TUCO_2 230.00 230KV CKT 1
20SP	06ALL		0 TO->FROM	G15_031_115	KRESS INTERCHANGE - SWISHER COUNTY INTERCHANGE 115KV CKT 1	234.7	0.58992	106.2429	AMARILLO SOUTH INTERCHANGE - SWISHER COUNTY INTERCHANGE 230KV CKT 1
25SP	06ALL		0 TO->FROM	G15_031_115	KRESS INTERCHANGE - SWISHER COUNTY INTERCHANGE 115KV CKT 1	232.4	0.56311	106.136	PLANT X STATION (WH ALM20171) 230/115/13.2KV TRANSFORMER CKT 1
15SP	06ALL		0 TO->FROM	G15_031_115	KRESS INTERCHANGE - SWISHER COUNTY INTERCHANGE 115KV CKT 1	236.8	0.52027	105.9257	SPP-SWPS-T67
25SP	06ALL		0 TO->FROM	G15_031_115	KRESS INTERCHANGE - SWISHER COUNTY INTERCHANGE 115KV CKT 1	232.4	0.56701	104.8821	G11_025_1 115.00 115/34.5KV TRANSFORMER CKT 1
25SP	06ALL		0 TO->FROM	G15_031_115	KRESS INTERCHANGE - SWISHER COUNTY INTERCHANGE 115KV CKT 1	232.4	0.56701	104.8821	G11_025_2 34.500 34.5/0.69KV TRANSFORMER CKT 1
25SP	06ALL		0 TO->FROM	G15_031_115	KRESS INTERCHANGE - SWISHER COUNTY INTERCHANGE 115KV CKT 1	232.4	0.56701	104.8821	G11_025T 115.00 - G11_025_1 115.00 115KV CKT 1
20SP	06ALL		0 TO->FROM	G15_031_115	KRESS INTERCHANGE - SWISHER COUNTY INTERCHANGE 115KV CKT 1	213.2	0.56703	104.8584	BASE CASE
25SP	06ALL		0 TO->FROM	G15_031_115	KRESS INTERCHANGE - SWISHER COUNTY INTERCHANGE 115KV CKT 1	232.4	0.56701	104.679	TOLK STATION WEST 230/24.0KV TRANSFORMER CKT 1
25SP	06ALL		0 TO->FROM	G15_031_115	KRESS INTERCHANGE - SWISHER COUNTY INTERCHANGE 115KV CKT 1	232.4	0.56418	104.5869	TUCO INTERCHANGE (GE M102345) 230/115/13.2KV TRANSFORMER CKT 1
25SP	06ALL		0 TO->FROM	G15_031_115	KRESS INTERCHANGE - SWISHER COUNTY INTERCHANGE 115KV CKT 1	232.4	0.56437	104.4208	TUCO INTERCHANGE (ENRCO 136401) 230/115/13.2KV TRANSFORMER CKT 2
25SP	06ALL		0 TO->FROM	G15_031_115	KRESS INTERCHANGE - SWISHER COUNTY INTERCHANGE 115KV CKT 1	232.4	0.56701	104.216	TOLK STATION EAST 230/24.0KV TRANSFORMER CKT 1
25SP	06ALL		0 TO->FROM	G15_031_115	KRESS INTERCHANGE - SWISHER COUNTY INTERCHANGE 115KV CKT 1	232.4	0.56439	103.9552	FLOYD COUNTY INTERCHANGE - G11_025T 115.00 115KV CKT 1
20WP	00NR		0 TO->FROM	G15_031_115	KRESS INTERCHANGE - SWISHER COUNTY INTERCHANGE 115KV CKT 1	248.8	0.57417	103.9192	BASE CASE
25SP	06ALL		0 TO->FROM	G15_031_115	KRESS INTERCHANGE - SWISHER COUNTY INTERCHANGE 115KV CKT 1	232.4	0.56701	103.7427	PLANT X STATION 115/13.8KV TRANSFORMER CKT 1
25SP	06ALL		0 TO->FROM	G15_031_115	KRESS INTERCHANGE - SWISHER COUNTY INTERCHANGE 115KV CKT 1	232.4	0.56671	103.7315	LAMB COUNTY INTERCHANGE - TOLK STATION WEST 230KV CKT 1
25SP	06ALL		0 TO->FROM	G15_031_115	KRESS INTERCHANGE - SWISHER COUNTY INTERCHANGE 115KV CKT 1	232.4	0.56671	103.6885	LAMB COUNTY INTERCHANGE (WH ALM20172) 230/115/13.2KV TRANSFORMER CKT 1
25SP	06ALL		0 TO->FROM	G15_031_115	KRESS INTERCHANGE - SWISHER COUNTY INTERCHANGE 115KV CKT 1	232.4	0.56671	103.6885	SPP-SWPS-K37
25SP	06ALL		0 TO->FROM	G15_031_115	KRESS INTERCHANGE - SWISHER COUNTY INTERCHANGE 115KV CKT 1	232.4	0.56719	103.6343	AMARILLO SOUTH INTERCHANGE (ABB 801466) 230/115/13.2KV TRANSFORMER CKT 1
20WP	00NR		0 TO->FROM	G15_031_115	KRESS INTERCHANGE - SWISHER COUNTY INTERCHANGE 115KV CKT 1	263.8	0.59077	103.5751	AMARILLO SOUTH INTERCHANGE - SWISHER COUNTY INTERCHANGE 230KV CKT 1
15WP	00NR		0 TO->FROM	G15_031_115	KRESS INTERCHANGE - SWISHER COUNTY INTERCHANGE 115KV CKT 1	263.5	0.58952	103.1712	AMARILLO SOUTH INTERCHANGE - SWISHER COUNTY INTERCHANGE 230KV CKT 1
15WP	00NR		0 TO->FROM	G15_031_115	KRESS INTERCHANGE - SWISHER COUNTY INTERCHANGE 115KV CKT 1	248.5	0.57446	102.5505	BASE CASE
20WP	00NR		0 TO->FROM	G15_031_115	KRESS INTERCHANGE - SWISHER COUNTY INTERCHANGE 115KV CKT 1	263.8	0.61686	102.3723	SWISHER COUNTY INTERCHANGE - TUCO_2 230.00 230KV CKT 1
15SP	06ALL		0 TO->FROM	G15_031_115	KRESS INTERCHANGE - SWISHER COUNTY INTERCHANGE 115KV CKT 1	236.8	0.58976	101.5388	AMARILLO SOUTH INTERCHANGE - SWISHER COUNTY INTERCHANGE 230KV CKT 1

SEASON	GROUP	SCENARIO	DIRECTION	SOURCE	MONITORED ELEMENT	RATE		CONTINGENCY	
						(MVA)	TDF	LOADING %	CONTINGENCY
15G	06ALL	0	TO->FROM	G15_031_115	KRESS INTERCHANGE - SWISHER COUNTY INTERCHANGE 115KV CKT 1	263.5	0.61585	100.9696	SWISHER COUNTY INTERCHANGE - TUCO_2 230.00 230KV CKT 1
15G	06ALL	0	FROM->TO	G15_031_115	SWISHER COUNTY INTERCHANGE (GE M101686) 230/115/13.2KV TRANSFORMER CKT 1	145.8		1	281.5501 KRESS INTERCHANGE - SWISHER COUNTY INTERCHANGE 115KV CKT 1
15G	06ALL	0	FROM->TO	G15_031_115	SWISHER COUNTY INTERCHANGE (GE M101686) 230/115/13.2KV TRANSFORMER CKT 1	146.1		1	281.0404 KRESS INTERCHANGE - SWISHER COUNTY INTERCHANGE 115KV CKT 1
15G	06NR	0	FROM->TO	G15_031_115	SWISHER COUNTY INTERCHANGE (GE M101686) 230/115/13.2KV TRANSFORMER CKT 1	146.9		1	279.4418 KRESS INTERCHANGE - SWISHER COUNTY INTERCHANGE 115KV CKT 1
15G	06NR	0	FROM->TO	G15_031_115	SWISHER COUNTY INTERCHANGE (GE M101686) 230/115/13.2KV TRANSFORMER CKT 1	147.1		1	279.1299 KRESS INTERCHANGE - SWISHER COUNTY INTERCHANGE 115KV CKT 1
15G	06ALL	0	FROM->TO	G15_031_115	SWISHER COUNTY INTERCHANGE (GE M101686) 230/115/13.2KV TRANSFORMER CKT 1	145.8	0.48965		208.6036 HAPPY INTERCHANGE - TULIA TAP 115KV CKT 1
15G	06ALL	0	FROM->TO	G15_031_115	SWISHER COUNTY INTERCHANGE (GE M101686) 230/115/13.2KV TRANSFORMER CKT 1	146.1	0.48965		208.2437 HAPPY INTERCHANGE - TULIA TAP 115KV CKT 1
15G	06ALL	0	FROM->TO	G15_031_115	SWISHER COUNTY INTERCHANGE (GE M101686) 230/115/13.2KV TRANSFORMER CKT 1	145.8	0.48965		201.4019 HAPPY INTERCHANGE - PALO DURO SUB 115KV CKT 1
15G	06ALL	0	FROM->TO	G15_031_115	SWISHER COUNTY INTERCHANGE (GE M101686) 230/115/13.2KV TRANSFORMER CKT 1	145.8	0.48965		201.3333 SPP-SWPS-T66
15G	06ALL	0	FROM->TO	G15_031_115	SWISHER COUNTY INTERCHANGE (GE M101686) 230/115/13.2KV TRANSFORMER CKT 1	146.1	0.48965		200.9884 HAPPY INTERCHANGE - PALO DURO SUB 115KV CKT 1
15G	06ALL	0	FROM->TO	G15_031_115	SWISHER COUNTY INTERCHANGE (GE M101686) 230/115/13.2KV TRANSFORMER CKT 1	146.1	0.48965		200.9884 SPP-SWPS-T66
15G	06ALL	0	FROM->TO	G15_031_115	SWISHER COUNTY INTERCHANGE (GE M101686) 230/115/13.2KV TRANSFORMER CKT 1	145.8	0.48965		200.9218 PALO DURO SUB - RANDALL COUNTY INTERCHANGE 115KV CKT 1
15G	06ALL	0	FROM->TO	G15_031_115	SWISHER COUNTY INTERCHANGE (GE M101686) 230/115/13.2KV TRANSFORMER CKT 1	146.1	0.48965		200.5777 PALO DURO SUB - RANDALL COUNTY INTERCHANGE 115KV CKT 1
15G	06ALL	0	FROM->TO	G15_031_115	SWISHER COUNTY INTERCHANGE (GE M101686) 230/115/13.2KV TRANSFORMER CKT 1	145.8	0.52415		189.631 KRESS INTERCHANGE - NEWHART 115KV CKT 1
15G	06ALL	0	FROM->TO	G15_031_115	SWISHER COUNTY INTERCHANGE (GE M101686) 230/115/13.2KV TRANSFORMER CKT 1	146.1	0.52415		189.2416 KRESS INTERCHANGE - NEWHART 115KV CKT 1
15G	06ALL	0	FROM->TO	G15_031_115	SWISHER COUNTY INTERCHANGE (GE M101686) 230/115/13.2KV TRANSFORMER CKT 1	145.8	0.49907		181.5775 HALE CO INTERCHANGE - KRESS INTERCHANGE 115KV CKT 1
15G	06ALL	0	FROM->TO	G15_031_115	SWISHER COUNTY INTERCHANGE (GE M101686) 230/115/13.2KV TRANSFORMER CKT 1	146.1	0.49907		181.2731 HALE CO INTERCHANGE - KRESS INTERCHANGE 115KV CKT 1
15G	06ALL	0	FROM->TO	G15_031_115	SWISHER COUNTY INTERCHANGE (GE M101686) 230/115/13.2KV TRANSFORMER CKT 1	145.8	0.46458		170.6159 KRESS INTERCHANGE - KRESS_RURAL3115.00 115KV CKT 1
15G	06ALL	0	FROM->TO	G15_031_115	SWISHER COUNTY INTERCHANGE (GE M101686) 230/115/13.2KV TRANSFORMER CKT 1	146.1	0.46458		170.2656 KRESS INTERCHANGE - KRESS_RURAL3115.00 115KV CKT 1
15G	06ALL	0	FROM->TO	G15_031_115	SWISHER COUNTY INTERCHANGE (GE M101686) 230/115/13.2KV TRANSFORMER CKT 1	145.8	0.46458		170.1358 KRESS_RURAL3115.00 - N_PLAINVEW 3115.00 115KV CKT 1
15G	06ALL	0	FROM->TO	G15_031_115	SWISHER COUNTY INTERCHANGE (GE M101686) 230/115/13.2KV TRANSFORMER CKT 1	146.1	0.46458		169.8549 KRESS_RURAL3115.00 - N_PLAINVEW 3115.00 115KV CKT 1
15G	06ALL	0	FROM->TO	G15_031_115	SWISHER COUNTY INTERCHANGE (GE M101686) 230/115/13.2KV TRANSFORMER CKT 1	145.8	0.46458		169.3127 KISER 3115.00 - N_PLAINVEW 3115.00 115KV CKT 1
15G	06ALL	0	FROM->TO	G15_031_115	SWISHER COUNTY INTERCHANGE (GE M101686) 230/115/13.2KV TRANSFORMER CKT 1	146.1	0.46458		168.9651 KISER 3115.00 - N_PLAINVEW 3115.00 115KV CKT 1
15G	06ALL	0	FROM->TO	G15_031_115	SWISHER COUNTY INTERCHANGE (GE M101686) 230/115/13.2KV TRANSFORMER CKT 1	145.8	0.47396		168.6831 NEWHART 230 (WAUK WT01105) 230/115/13.2KV TRANSFORMER CKT 1
15G	06ALL	0	FROM->TO	G15_031_115	SWISHER COUNTY INTERCHANGE (GE M101686) 230/115/13.2KV TRANSFORMER CKT 1	146.1	0.47396		168.4052 NEWHART 230 (WAUK WT01105) 230/115/13.2KV TRANSFORMER CKT 1
15G	06ALL	0	FROM->TO	G15_031_115	SWISHER COUNTY INTERCHANGE (GE M101686) 230/115/13.2KV TRANSFORMER CKT 1	145.8	0.44053		168.2538 KRESS INTERCHANGE (ENRCO 136155) 115/69/13.2KV TRANSFORMER CKT 1
15G	06ALL	0	FROM->TO	G15_031_115	SWISHER COUNTY INTERCHANGE (GE M101686) 230/115/13.2KV TRANSFORMER CKT 1	146.1	0.44053		167.9767 KRESS INTERCHANGE (ENRCO 136155) 115/69/13.2KV TRANSFORMER CKT 1
15G	06ALL	0	FROM->TO	G15_031_115	SWISHER COUNTY INTERCHANGE (GE M101686) 230/115/13.2KV TRANSFORMER CKT 1	145.8	0.44053		167.225 KRESS INTERCHANGE - SWISHER COUNTY REC-KRESS 69KV CKT Z1
15G	06ALL	0	FROM->TO	G15_031_115	SWISHER COUNTY INTERCHANGE (GE M101686) 230/115/13.2KV TRANSFORMER CKT 1	146.1	0.44053		166.95 KRESS INTERCHANGE - SWISHER COUNTY REC-KRESS 69KV CKT Z1
15G	06ALL	0	FROM->TO	G15_031_115	SWISHER COUNTY INTERCHANGE (GE M101686) 230/115/13.2KV TRANSFORMER CKT 1	145.8	0.46458		166.775 COX INTERCHANGE - KISER 3115.00 115KV CKT 1
15G	06ALL	0	FROM->TO	G15_031_115	SWISHER COUNTY INTERCHANGE (GE M101686) 230/115/13.2KV TRANSFORMER CKT 1	146.1	0.46458		166.501 COX INTERCHANGE - KISER 3115.00 115KV CKT 1
15G	06ALL	0	FROM->TO	G15_031_115	SWISHER COUNTY INTERCHANGE (GE M101686) 230/115/13.2KV TRANSFORMER CKT 1	145.8	0.43803		166.2689 TUCO INTERCHANGE - TUCO_2 230.00 230KV CKT 1
15G	06ALL	0	FROM->TO	G15_031_115	SWISHER COUNTY INTERCHANGE (GE M101686) 230/115/13.2KV TRANSFORMER CKT 1	145.8	0.46184		165.9712 HALE CO INTERCHANGE - TUCO INTERCHANGE 115KV CKT 1
15G	06ALL	0	FROM->TO	G15_031_115	SWISHER COUNTY INTERCHANGE (GE M101686) 230/115/13.2KV TRANSFORMER CKT 1	146.1	0.43803		165.9274 TUCO INTERCHANGE - TUCO_2 230.00 230KV CKT 1
15G	06ALL	0	FROM->TO	G15_031_115	SWISHER COUNTY INTERCHANGE (GE M101686) 230/115/13.2KV TRANSFORMER CKT 1	146.1	0.46184		165.6304 HALE CO INTERCHANGE - TUCO INTERCHANGE 115KV CKT 1
15G	06ALL	0	FROM->TO	G15_031_115	SWISHER COUNTY INTERCHANGE (GE M101686) 230/115/13.2KV TRANSFORMER CKT 1	145.8	0.43436		164.6584 NEWHART 230 - PLANT X STATION 230KV CKT 1
15G	06ALL	0	FROM->TO	G15_031_115	SWISHER COUNTY INTERCHANGE (GE M101686) 230/115/13.2KV TRANSFORMER CKT 1	146.1	0.43436		164.3888 NEWHART 230 - PLANT X STATION 230KV CKT 1
15G	06ALL	0	FROM->TO	G15_031_115	SWISHER COUNTY INTERCHANGE (GE M101686) 230/115/13.2KV TRANSFORMER CKT 1	145.8	0.44192		164.1728 PLSNT_HILL7 345.00 - POTTER COUNTY INTERCHANGE 345KV CKT 1
15G	06ALL	0	FROM->TO	G15_031_115	SWISHER COUNTY INTERCHANGE (GE M101686) 230/115/13.2KV TRANSFORMER CKT 1	146.1	0.44192		163.9042 PLSNT_HILL7 345.00 - POTTER COUNTY INTERCHANGE 345KV CKT 1
15G	06ALL	0	FROM->TO	G15_031_115	SWISHER COUNTY INTERCHANGE (GE M101686) 230/115/13.2KV TRANSFORMER CKT 1	145.8	0.44084		163.2455 TUCO_2 345.00 - YOAKUM_345 345.00 345KV CKT 1
15G	06ALL	0	FROM->TO	G15_031_115	SWISHER COUNTY INTERCHANGE (GE M101686) 230/115/13.2KV TRANSFORMER CKT 1	146.1	0.44084		162.9788 TUCO_2 345.00 - YOAKUM_345 345.00 345KV CKT 1
15G	06ALL	0	FROM->TO	G15_031_115	SWISHER COUNTY INTERCHANGE (GE M101686) 230/115/13.2KV TRANSFORMER CKT 1	145.8	0.41325		159.1962 NEWHART 230 - SWISHER COUNTY INTERCHANGE 230KV CKT 1
15G	06ALL	0	FROM->TO	G15_031_115	SWISHER COUNTY INTERCHANGE (GE M101686) 230/115/13.2KV TRANSFORMER CKT 1	146.1	0.41325		158.9377 NEWHART 230 - SWISHER COUNTY INTERCHANGE 230KV CKT 1
15G	06ALL	0	FROM->TO	G15_031_115	SWISHER COUNTY INTERCHANGE (GE M101686) 230/115/13.2KV TRANSFORMER CKT 1	145.8	0.44053		158.6516 BASE CASE
15G	06ALL	0	FROM->TO	G15_031_115	SWISHER COUNTY INTERCHANGE (GE M101686) 230/115/13.2KV TRANSFORMER CKT 1	146.1	0.44053		158.3943 BASE CASE
15G	06NR	0	FROM->TO	G15_031_115	SWISHER COUNTY INTERCHANGE (GE M101686) 230/115/13.2KV TRANSFORMER CKT 1	146.9	0.48002		121.7876 KRESS INTERCHANGE - TULIA TAP 115KV CKT 1
15G	06NR	0	FROM->TO	G15_031_115	SWISHER COUNTY INTERCHANGE (GE M101686) 230/115/13.2KV TRANSFORMER CKT 1	146.9	0.48002		121.7195 SPP-SWPS-T67
15G	06NR	0	FROM->TO	G15_031_115	SWISHER COUNTY INTERCHANGE (GE M101686) 230/115/13.2KV TRANSFORMER CKT 1	147.1	0.48002		121.622 KRESS INTERCHANGE - TULIA TAP 115KV CKT 1
15G	06NR	0	FROM->TO	G15_031_115	SWISHER COUNTY INTERCHANGE (GE M101686) 230/115/13.2KV TRANSFORMER CKT 1	147.1	0.48002		121.622 SPP-SWPS-T67
15G	06NR	0	FROM->TO	G15_031_115	SWISHER COUNTY INTERCHANGE (GE M101686) 230/115/13.2KV TRANSFORMER CKT 1	146.9	0.48002		120.4942 HAPPY INTERCHANGE - TULIA TAP 115KV CKT 1
15G	06NR	0	FROM->TO	G15_031_115	SWISHER COUNTY INTERCHANGE (GE M101686) 230/115/13.2KV TRANSFORMER CKT 1	147.1	0.48002		120.3984 HAPPY INTERCHANGE - TULIA TAP 115KV CKT 1
15G	06NR	0	FROM->TO	G15_031_115	SWISHER COUNTY INTERCHANGE (GE M101686) 230/115/13.2KV TRANSFORMER CKT 1	146.9	0.48002		113.3465 HAPPY INTERCHANGE - PALO DURO SUB 115KV CKT 1
15G	06NR	0	FROM->TO	G15_031_115	SWISHER COUNTY INTERCHANGE (GE M101686) 230/115/13.2KV TRANSFORMER CKT 1	146.9	0.48002		113.3465 SPP-SWPS-T66
15G	06NR	0	FROM->TO	G15_031_115	SWISHER COUNTY INTERCHANGE (GE M101686) 230/115/13.2KV TRANSFORMER CKT 1	147.1	0.48002		113.2604 HAPPY INTERCHANGE - PALO DURO SUB 115KV CKT 1
15G	06NR	0	FROM->TO	G15_031_115	SWISHER COUNTY INTERCHANGE (GE M101686) 230/115/13.2KV TRANSFORMER CKT 1	147.1	0.48002		113.1924 SPP-SWPS-T66
15G	06NR	0	FROM->TO	G15_031_115	SWISHER COUNTY INTERCHANGE (GE M101686) 230/115/13.2KV TRANSFORMER CKT 1	146.9	0.48002		112.938 PALO DURO SUB - RANDALL COUNTY INTERCHANGE 115KV CKT 1
15G	06NR	0	FROM->TO	G15_031_115	SWISHER COUNTY INTERCHANGE (GE M101686) 230/115/13.2KV TRANSFORMER CKT 1	147.1	0.48002		112.7845 PALO DURO SUB - RANDALL COUNTY INTERCHANGE 115KV CKT 1
15G	06NR	0	FROM->TO	G15_031_115	SWISHER COUNTY INTERCHANGE (GE M101686) 230/115/13.2KV TRANSFORMER CKT 1	146.9	0.51959		109.855 KRESS INTERCHANGE - NEWHART 115KV CKT 1
15G	06NR	0	FROM->TO	G15_031_115	SWISHER COUNTY INTERCHANGE (GE M101686) 230/115/13.2KV TRANSFORMER CKT 1	147.1	0.51959		109.7736 KRESS INTERCHANGE - NEWHART 115KV CKT 1
15G	06NR	0	FROM->TO	G15_031_115	SWISHER COUNTY INTERCHANGE (GE M101686) 230/115/13.2KV TRANSFORMER CKT 1	146.9	0.49561		109.5868 HALE CO INTERCHANGE - KRESS INTERCHANGE 115KV CKT 1
15G	06NR	0	FROM->TO	G15_031_115	SWISHER COUNTY INTERCHANGE (GE M101686) 230/115/13.2KV TRANSFORMER CKT 1	147.1	0.49561		109.5058 HALE CO INTERCHANGE - KRESS INTERCHANGE 115KV CKT 1
15G	06NR	0	FROM->TO	G15_031_115	SWISHER COUNTY INTERCHANGE (GE M101686) 230/115/13.2KV TRANSFORMER CKT 1	146.9	0.43447		106.4949 KRESS INTERCHANGE (ENRCO 136155) 115/69/13.2KV TRANSFORMER CKT 1
15G	06NR	0	FROM->TO	G15_031_115	SWISHER COUNTY INTERCHANGE (GE M101686) 230/115/13.2KV TRANSFORMER CKT 1	147.1	0.43447		106.4181 KRESS INTERCHANGE (ENRCO 136155) 115/69/13.2KV TRANSFORMER CKT 1
15G	06NR	0	FROM->TO	G15_031_115	SWISHER COUNTY INTERCHANGE (GE M101686) 230/115/13.2KV TRANSFORMER CKT 1	146.9	0.43447		105.4738 KRESS INTERCHANGE - SWISHER COUNTY REC-KRESS 69KV CKT Z1
15G	06NR	0	FROM->TO	G15_031_115	SWISHER COUNTY INTERCHANGE (GE M101686) 230/115/13.2KV TRANSFORMER CKT 1	147.1	0.43447		105.3984 KRESS INTERCHANGE - SWISHER COUNTY REC-KRESS 69KV CKT Z1

SEASON	GROUP	SCENARIO	DIRECTION	SOURCE	MONITORED ELEMENT	RATE		CONTINGENCY	
						(MVA)	TDF	LOADING %	CONTINGENCY
20SP	06ALL		0 FROM->TO	G15_031_115	SWISHER COUNTY INTERCHANGE (UPDATE LATER) 230/115/13.2KV TRANSFORMER CKT 1	239.2	0.47952	100.0778	PALO DURO SUB - RANDALL COUNTY INTERCHANGE 115KV CKT 1
20WP	06ALL		2 TO->FROM	G15_031_115	CIMARRON - MINCO 345KV CKT 1	955.9	0.21665	110.4159	G14-057T 345.00 - SUNNYSIDE 345KV CKT 1
15G	06ALL		2 TO->FROM	G15_031_115	CIMARRON - MINCO 345KV CKT 1	953.6	0.2211	109.8272	G14-057T 345.00 - SUNNYSIDE 345KV CKT 1
20WP	06ALL		2 TO->FROM	G15_031_115	CIMARRON - MINCO 345KV CKT 1	955.9	0.21665	108.1563	G14-057T 345.00 - LAWTON EASTSIDE 345KV CKT 1
15G	06ALL		2 TO->FROM	G15_031_115	CIMARRON - MINCO 345KV CKT 1	953.6	0.2211	107.5831	G14-057T 345.00 - LAWTON EASTSIDE 345KV CKT 1
15WP	06ALL		2 TO->FROM	G15_031_115	CIMARRON - MINCO 345KV CKT 1	955.8	0.22733	106.4317	G14-057T 345.00 - SUNNYSIDE 345KV CKT 1
15WP	06ALL		2 TO->FROM	G15_031_115	CIMARRON - MINCO 345KV CKT 1	955.8	0.22733	104.2032	G14-057T 345.00 - LAWTON EASTSIDE 345KV CKT 1
15SP	06ALL		2 TO->FROM	G15_031_115	CIMARRON - MINCO 345KV CKT 1	955.4	0.2239	102.5765	G14-057T 345.00 - SUNNYSIDE 345KV CKT 1
15SP	06ALL		2 TO->FROM	G15_031_115	CIMARRON - MINCO 345KV CKT 1	955.4	0.2239	100.2738	G14-057T 345.00 - LAWTON EASTSIDE 345KV CKT 1
25SP	00NR		2 FROM->TO	G15_031_115	EDDY_NORTH 6230.00 (WAUK WT01134) 230/115/13.2KV TRANSFORMER CKT 2	285.3	0.03223	103.5643	EDDY COUNTY INTERCHANGE - EDDY_NORTH 6230.00 230KV CKT @1
25SP	00NR		2 FROM->TO	G15_031_115	EDDY_NORTH 6230.00 (WAUK WT01134) 230/115/13.2KV TRANSFORMER CKT 2	286.5	0.03223	103.0258	EDDY COUNTY INTERCHANGE - EDDY_NORTH 6230.00 230KV CKT @1
25SP	06ALL		2 TO->FROM	G15_031_115	KRESS INTERCHANGE - SWISHER COUNTY INTERCHANGE 115KV CKT 1	232.9	1	176.0842	SWISHER COUNTY INTERCHANGE (UPDATE LATER) 230/115/13.2KV TRANSFORMER CKT 1
20SP	06ALL		2 TO->FROM	G15_031_115	KRESS INTERCHANGE - SWISHER COUNTY INTERCHANGE 115KV CKT 1	234.9	1	174.6275	SWISHER COUNTY INTERCHANGE (UPDATE LATER) 230/115/13.2KV TRANSFORMER CKT 1
15SP	06ALL		2 TO->FROM	G15_031_115	KRESS INTERCHANGE - SWISHER COUNTY INTERCHANGE 115KV CKT 1	236.9	1	173.1954	SWISHER COUNTY INTERCHANGE (UPDATE LATER) 230/115/13.2KV TRANSFORMER CKT 1
20SP	00NR		2 TO->FROM	G15_031_115	KRESS INTERCHANGE - SWISHER COUNTY INTERCHANGE 115KV CKT 1	236.9	1	173.1532	SWISHER COUNTY INTERCHANGE (UPDATE LATER) 230/115/13.2KV TRANSFORMER CKT 1
15SP	00NR		2 TO->FROM	G15_031_115	KRESS INTERCHANGE - SWISHER COUNTY INTERCHANGE 115KV CKT 1	238.4	1	172.1057	SWISHER COUNTY INTERCHANGE (UPDATE LATER) 230/115/13.2KV TRANSFORMER CKT 1
15G	06ALL		2 TO->FROM	G15_031_115	KRESS INTERCHANGE - SWISHER COUNTY INTERCHANGE 115KV CKT 1	238.8	1	171.9012	SWISHER COUNTY INTERCHANGE (GE M101686) 230/115/13.2KV TRANSFORMER CKT 1
15G	06NR		2 TO->FROM	G15_031_115	KRESS INTERCHANGE - SWISHER COUNTY INTERCHANGE 115KV CKT 1	238.9	1	171.8292	SWISHER COUNTY INTERCHANGE (GE M101686) 230/115/13.2KV TRANSFORMER CKT 1
25SP	00NR		2 TO->FROM	G15_031_115	KRESS INTERCHANGE - SWISHER COUNTY INTERCHANGE 115KV CKT 1	212.2	0.60212	160.7144	BASE CASE
15WP	00NR		2 TO->FROM	G15_031_115	KRESS INTERCHANGE - SWISHER COUNTY INTERCHANGE 115KV CKT 1	263.6	1	155.7663	SWISHER COUNTY INTERCHANGE (UPDATE LATER) 230/115/13.2KV TRANSFORMER CKT 1
20WP	00NR		2 TO->FROM	G15_031_115	KRESS INTERCHANGE - SWISHER COUNTY INTERCHANGE 115KV CKT 1	263.8	1	155.6482	SWISHER COUNTY INTERCHANGE (UPDATE LATER) 230/115/13.2KV TRANSFORMER CKT 1
15WP	06ALL		2 TO->FROM	G15_031_115	KRESS INTERCHANGE - SWISHER COUNTY INTERCHANGE 115KV CKT 1	264.3	1	155.3538	SWISHER COUNTY INTERCHANGE (UPDATE LATER) 230/115/13.2KV TRANSFORMER CKT 1
25SP	00NR		2 TO->FROM	G15_031_115	KRESS INTERCHANGE - SWISHER COUNTY INTERCHANGE 115KV CKT 1	233.7	0.64044	155.0415	SWISHER COUNTY INTERCHANGE - TUCO_2 230.00 230KV CKT 1
20WP	06ALL		2 TO->FROM	G15_031_115	KRESS INTERCHANGE - SWISHER COUNTY INTERCHANGE 115KV CKT 1	264.9	1	155.0019	SWISHER COUNTY INTERCHANGE (UPDATE LATER) 230/115/13.2KV TRANSFORMER CKT 1
20SP	00NR		2 TO->FROM	G15_031_115	KRESS INTERCHANGE - SWISHER COUNTY INTERCHANGE 115KV CKT 1	215.7	0.60252	151.9499	BASE CASE
25SP	00NR		2 TO->FROM	G15_031_115	KRESS INTERCHANGE - SWISHER COUNTY INTERCHANGE 115KV CKT 1	233.7	0.60725	149.4972	TUCO INTERCHANGE - TUCO_2 230.00 230KV CKT 1
25SP	00NR		2 TO->FROM	G15_031_115	KRESS INTERCHANGE - SWISHER COUNTY INTERCHANGE 115KV CKT 1	233.7	0.60054	149.1921	TUCO INTERCHANGE (GE M102345) 230/115/13.2KV TRANSFORMER CKT 1
25SP	00NR		2 TO->FROM	G15_031_115	KRESS INTERCHANGE - SWISHER COUNTY INTERCHANGE 115KV CKT 1	233.7	0.5982	149.1913	PLANT X STATION (WH ALM20171) 230/115/13.2KV TRANSFORMER CKT 1
25SP	00NR		2 TO->FROM	G15_031_115	KRESS INTERCHANGE - SWISHER COUNTY INTERCHANGE 115KV CKT 1	233.7	0.60064	148.991	TUCO INTERCHANGE (ENRCO 136401) 230/115/13.2KV TRANSFORMER CKT 2
25SP	00NR		2 TO->FROM	G15_031_115	KRESS INTERCHANGE - SWISHER COUNTY INTERCHANGE 115KV CKT 1	233.7	0.60341	148.3196	JONES STATION - TUCO INTERCHANGE 230KV CKT 1
25SP	00NR		2 TO->FROM	G15_031_115	KRESS INTERCHANGE - SWISHER COUNTY INTERCHANGE 115KV CKT 1	233.7	0.59619	148.1202	NEWHART 230 (UPDATE LATER) 230/115/13.2KV TRANSFORMER CKT 2
25SP	00NR		2 TO->FROM	G15_031_115	KRESS INTERCHANGE - SWISHER COUNTY INTERCHANGE 115KV CKT 1	233.7	0.59619	148.1202	NEWHART 230 (WAUK WT01105) 230/115/13.2KV TRANSFORMER CKT 1
25SP	00NR		2 TO->FROM	G15_031_115	KRESS INTERCHANGE - SWISHER COUNTY INTERCHANGE 115KV CKT 1	233.7	0.59793	148.0441	FLOYD COUNTY INTERCHANGE - TUCO INTERCHANGE 115KV CKT 1
25SP	00NR		2 TO->FROM	G15_031_115	KRESS INTERCHANGE - SWISHER COUNTY INTERCHANGE 115KV CKT 1	233.7	0.60374	147.7629	TUCO_2 345.00 - YOAKUM_345 345.00 345KV CKT 1
25SP	00NR		2 TO->FROM	G15_031_115	KRESS INTERCHANGE - SWISHER COUNTY INTERCHANGE 115KV CKT 1	233.7	0.60283	147.6461	CARLISLE INTERCHANGE - TUCO INTERCHANGE 230KV CKT 1
25SP	00NR		2 TO->FROM	G15_031_115	KRESS INTERCHANGE - SWISHER COUNTY INTERCHANGE 115KV CKT 1	233.7	0.60212	147.5122	AMARILLO SOUTH INTERCHANGE (ABB 801466) 230/115/13.2KV TRANSFORMER CKT 1
25SP	00NR		2 TO->FROM	G15_031_115	KRESS INTERCHANGE - SWISHER COUNTY INTERCHANGE 115KV CKT 1	233.7	0.60083	147.475	RANDALL COUNTY INTERCHANGE (GE M100353) 230/115/13.2KV TRANSFORMER CKT 1
25SP	00NR		2 TO->FROM	G15_031_115	KRESS INTERCHANGE - SWISHER COUNTY INTERCHANGE 115KV CKT 1	233.7	0.60094	147.4035	SPP-SWPS-K19
25SP	00NR		2 TO->FROM	G15_031_115	KRESS INTERCHANGE - SWISHER COUNTY INTERCHANGE 115KV CKT 1	233.7	0.60094	147.1896	RANDALL COUNTY INTERCHANGE (WAU WT01090) 230/115/13.2KV TRANSFORMER CKT 2
15SP	00NR		2 TO->FROM	G15_031_115	KRESS INTERCHANGE - SWISHER COUNTY INTERCHANGE 115KV CKT 1	217.3	0.6018	147.1422	BASE CASE
25SP	00NR		2 TO->FROM	G15_031_115	KRESS INTERCHANGE - SWISHER COUNTY INTERCHANGE 115KV CKT 1	233.7	0.59594	146.8045	HALE CO INTERCHANGE - PLANT X STATION 115KV CKT 1
25SP	00NR		2 TO->FROM	G15_031_115	KRESS INTERCHANGE - SWISHER COUNTY INTERCHANGE 115KV CKT 1	233.7	0.57939	146.6055	SPP-SWPS-T66
25SP	00NR		2 TO->FROM	G15_031_115	KRESS INTERCHANGE - SWISHER COUNTY INTERCHANGE 115KV CKT 1	233.7	0.58584	146.3637	HAPPY INTERCHANGE - PALO DURO SUB 115KV CKT 1
25SP	00NR		2 TO->FROM	G15_031_115	KRESS INTERCHANGE - SWISHER COUNTY INTERCHANGE 115KV CKT 1	233.7	0.58584	146.3637	HAPPY INTERCHANGE - PALO DURO SUB 115KV CKT 2
25SP	00NR		2 TO->FROM	G15_031_115	KRESS INTERCHANGE - SWISHER COUNTY INTERCHANGE 115KV CKT 1	233.7	0.52741	142.1579	KRESS INTERCHANGE - NEWHART 115KV CKT 1
20SP	00NR		2 TO->FROM	G15_031_115	KRESS INTERCHANGE - SWISHER COUNTY INTERCHANGE 115KV CKT 1	236.9	0.64373	142.0511	SWISHER COUNTY INTERCHANGE - TUCO_2 230.00 230KV CKT 1
20SP	00NR		2 TO->FROM	G15_031_115	KRESS INTERCHANGE - SWISHER COUNTY INTERCHANGE 115KV CKT 1	236.9	0.6186	140.8527	AMARILLO SOUTH INTERCHANGE - SWISHER COUNTY INTERCHANGE 230KV CKT 1
20SP	00NR		2 TO->FROM	G15_031_115	KRESS INTERCHANGE - SWISHER COUNTY INTERCHANGE 115KV CKT 1	236.9	0.60101	140.7358	TUCO INTERCHANGE (GE M102345) 230/115/13.2KV TRANSFORMER CKT 1
20SP	00NR		2 TO->FROM	G15_031_115	KRESS INTERCHANGE - SWISHER COUNTY INTERCHANGE 115KV CKT 1	236.9	0.60111	140.5796	TUCO INTERCHANGE (ENRCO 136401) 230/115/13.2KV TRANSFORMER CKT 2
20SP	00NR		2 TO->FROM	G15_031_115	KRESS INTERCHANGE - SWISHER COUNTY INTERCHANGE 115KV CKT 1	236.9	0.59934	140.1444	PLANT X STATION (WH ALM20171) 230/115/13.2KV TRANSFORMER CKT 1
20SP	00NR		2 TO->FROM	G15_031_115	KRESS INTERCHANGE - SWISHER COUNTY INTERCHANGE 115KV CKT 1	236.9	0.59826	140.1342	FLOYD COUNTY INTERCHANGE - TUCO INTERCHANGE 115KV CKT 1
20SP	00NR		2 TO->FROM	G15_031_115	KRESS INTERCHANGE - SWISHER COUNTY INTERCHANGE 115KV CKT 1	236.9	0.59681	139.6973	NEWHART 230 (UPDATE LATER) 230/115/13.2KV TRANSFORMER CKT 2
20SP	00NR		2 TO->FROM	G15_031_115	KRESS INTERCHANGE - SWISHER COUNTY INTERCHANGE 115KV CKT 1	236.9	0.59681	139.6973	NEWHART 230 (WAUK WT01105) 230/115/13.2KV TRANSFORMER CKT 1
20SP	00NR		2 TO->FROM	G15_031_115	KRESS INTERCHANGE - SWISHER COUNTY INTERCHANGE 115KV CKT 1	236.9	0.60252	139.6606	AMARILLO SOUTH INTERCHANGE (ABB 801466) 230/115/13.2KV TRANSFORMER CKT 1
15SP	00NR		2 TO->FROM	G15_031_115	KRESS INTERCHANGE - SWISHER COUNTY INTERCHANGE 115KV CKT 1	238.4	0.61745	139.612	AMARILLO SOUTH INTERCHANGE - SWISHER COUNTY INTERCHANGE 230KV CKT 1
20SP	00NR		2 TO->FROM	G15_031_115	KRESS INTERCHANGE - SWISHER COUNTY INTERCHANGE 115KV CKT 1	236.9	0.59606	139.4757	HALE CO INTERCHANGE - PLANT X STATION 115KV CKT 1
20SP	00NR		2 TO->FROM	G15_031_115	KRESS INTERCHANGE - SWISHER COUNTY INTERCHANGE 115KV CKT 1	236.9	0.60132	139.4664	RANDALL COUNTY INTERCHANGE (GE M100353) 230/115/13.2KV TRANSFORMER CKT 1
20SP	00NR		2 TO->FROM	G15_031_115	KRESS INTERCHANGE - SWISHER COUNTY INTERCHANGE 115KV CKT 1	236.9	0.59969	139.4289	CROSBY COUNTY INTERCHANGE - LUBBOCK EAST INTERCHANGE 115KV CKT 1
20SP	00NR		2 TO->FROM	G15_031_115	KRESS INTERCHANGE - SWISHER COUNTY INTERCHANGE 115KV CKT 1	236.9	0.58693	137.0532	HAPPY INTERCHANGE - PALO DURO SUB 115KV CKT 1
20SP	00NR		2 TO->FROM	G15_031_115	KRESS INTERCHANGE - SWISHER COUNTY INTERCHANGE 115KV CKT 1	236.9	0.58693	137.0532	HAPPY INTERCHANGE - PALO DURO SUB 115KV CKT 2
15SP	00NR		2 TO->FROM	G15_031_115	KRESS INTERCHANGE - SWISHER COUNTY INTERCHANGE 115KV CKT 1	238.4	0.59775	137.0071	PLANT X STATION (WH ALM20171) 230/115/13.2KV TRANSFORMER CKT 1
20SP	00NR		2 TO->FROM	G15_031_115	KRESS INTERCHANGE - SWISHER COUNTY INTERCHANGE 115KV CKT 1	236.9	0.5865	136.9987	HALE CO INTERCHANGE - TUCO INTERCHANGE 115KV CKT 1
20SP	00NR		2 TO->FROM	G15_031_115	KRESS INTERCHANGE - SWISHER COUNTY INTERCHANGE 115KV CKT 1	236.9	0.58074	136.5648	SPP-SWPS-T66
15SP	00NR		2 TO->FROM	G15_031_115	KRESS INTERCHANGE - SWISHER COUNTY INTERCHANGE 115KV CKT 1	238.4	0.64331	136.4065	SWISHER COUNTY INTERCHANGE - TUCO_2 230.00 230KV CKT 1

SEASON	GROUP	SCENARIO	DIRECTION	SOURCE	MONITORED ELEMENT	RATE		CONTINGENCY	
						(MVA)	TDF	LOADING %	CONTINGENCY
15SP	00NR		2 TO->FROM	G15_031_115	KRESS INTERCHANGE - SWISHER COUNTY INTERCHANGE 115KV CKT 1	238.4	0.60036	136.1191	TUCO INTERCHANGE (GE M102345) 230/115/13.2KV TRANSFORMER CKT 1
15SP	00NR		2 TO->FROM	G15_031_115	KRESS INTERCHANGE - SWISHER COUNTY INTERCHANGE 115KV CKT 1	238.4	0.60045	136.0046	TUCO INTERCHANGE (ENRCO 136401) 230/115/13.2KV TRANSFORMER CKT 2
15SP	00NR		2 TO->FROM	G15_031_115	KRESS INTERCHANGE - SWISHER COUNTY INTERCHANGE 115KV CKT 1	238.4	0.59721	135.6808	FLOYD COUNTY INTERCHANGE - TUCO INTERCHANGE 115KV CKT 1
15SP	00NR		2 TO->FROM	G15_031_115	KRESS INTERCHANGE - SWISHER COUNTY INTERCHANGE 115KV CKT 1	238.4	0.60127	135.3947	DEAF SMITH COUNTY INTERCHANGE - G14-068T 230.00 230KV CKT 1
15SP	00NR		2 TO->FROM	G15_031_115	KRESS INTERCHANGE - SWISHER COUNTY INTERCHANGE 115KV CKT 1	238.4	0.59552	135.1745	HALE CO INTERCHANGE - PLANT X STATION 115KV CKT 1
15SP	00NR		2 TO->FROM	G15_031_115	KRESS INTERCHANGE - SWISHER COUNTY INTERCHANGE 115KV CKT 1	238.4	0.59597	135.1472	NEWHART 230 (UPDATE LATER) 230/115/13.2KV TRANSFORMER CKT 2
15SP	00NR		2 TO->FROM	G15_031_115	KRESS INTERCHANGE - SWISHER COUNTY INTERCHANGE 115KV CKT 1	238.4	0.59597	135.1472	NEWHART 230 (WAUK WT01105) 230/115/13.2KV TRANSFORMER CKT 1
15SP	00NR		2 TO->FROM	G15_031_115	KRESS INTERCHANGE - SWISHER COUNTY INTERCHANGE 115KV CKT 1	238.4	0.59912	135.1242	CROSBY COUNTY INTERCHANGE - LUBBOCK EAST INTERCHANGE 115KV CKT 1
20SP	00NR		2 TO->FROM	G15_031_115	KRESS INTERCHANGE - SWISHER COUNTY INTERCHANGE 115KV CKT 1	236.9	0.52758	134.5606	KRESS INTERCHANGE - NEWHART 115KV CKT 1
15SP	00NR		2 TO->FROM	G15_031_115	KRESS INTERCHANGE - SWISHER COUNTY INTERCHANGE 115KV CKT 1	238.4	0.58541	132.8536	HALE CO INTERCHANGE - TUCO INTERCHANGE 115KV CKT 1
15SP	00NR		2 TO->FROM	G15_031_115	KRESS INTERCHANGE - SWISHER COUNTY INTERCHANGE 115KV CKT 1	238.4	0.59605	132.8083	HAPPY INTERCHANGE - TULIA TAP 115KV CKT 1
15SP	00NR		2 TO->FROM	G15_031_115	KRESS INTERCHANGE - SWISHER COUNTY INTERCHANGE 115KV CKT 1	238.4	0.59605	132.8083	HAPPY INTERCHANGE - TULIA TAP 115KV CKT 2
15SP	00NR		2 TO->FROM	G15_031_115	KRESS INTERCHANGE - SWISHER COUNTY INTERCHANGE 115KV CKT 1	238.4	0.59192	132.7919	PALO DURO SUB - RANDALL COUNTY INTERCHANGE 115KV CKT 1
15SP	00NR		2 TO->FROM	G15_031_115	KRESS INTERCHANGE - SWISHER COUNTY INTERCHANGE 115KV CKT 1	238.4	0.59192	132.7919	PALO DURO SUB - RANDALL COUNTY INTERCHANGE 115KV CKT 2
15G	06NR		2 TO->FROM	G15_031_115	KRESS INTERCHANGE - SWISHER COUNTY INTERCHANGE 115KV CKT 1	217.9	0.59604	131.4419	BASE CASE
15SP	00NR		2 TO->FROM	G15_031_115	KRESS INTERCHANGE - SWISHER COUNTY INTERCHANGE 115KV CKT 1	238.4	0.52664	130.6174	KRESS INTERCHANGE - NEWHART 115KV CKT 1
15G	06NR		2 TO->FROM	G15_031_115	KRESS INTERCHANGE - SWISHER COUNTY INTERCHANGE 115KV CKT 1	238.9	0.61424	128.5358	AMARILLO SOUTH INTERCHANGE - SWISHER COUNTY INTERCHANGE 230KV CKT 1
15G	06NR		2 TO->FROM	G15_031_115	KRESS INTERCHANGE - SWISHER COUNTY INTERCHANGE 115KV CKT 1	238.9	0.63667	123.9016	SWISHER COUNTY INTERCHANGE - TUCO_2 230.00 230KV CKT 1
25SP	06ALL		2 TO->FROM	G15_031_115	KRESS INTERCHANGE - SWISHER COUNTY INTERCHANGE 115KV CKT 1	211.3	0.59828	123.0336	BASE CASE
15G	06NR		2 TO->FROM	G15_031_115	KRESS INTERCHANGE - SWISHER COUNTY INTERCHANGE 115KV CKT 1	238.9	0.59067	122.7296	PLANT X STATION (WH ALM20171) 230/115/13.2KV TRANSFORMER CKT 1
15G	06NR		2 TO->FROM	G15_031_115	KRESS INTERCHANGE - SWISHER COUNTY INTERCHANGE 115KV CKT 1	238.9	0.59941	122.5714	NEWHART 230 - POTTER COUNTY INTERCHANGE 230KV CKT 1
15G	06NR		2 TO->FROM	G15_031_115	KRESS INTERCHANGE - SWISHER COUNTY INTERCHANGE 115KV CKT 1	238.9	0.59599	121.9326	G14-074T 345.00 - OKLAUNION 345KV CKT 1
15G	06NR		2 TO->FROM	G15_031_115	KRESS INTERCHANGE - SWISHER COUNTY INTERCHANGE 115KV CKT 1	238.9	0.59604	121.5622	G11_025_1 115.00 115/34.5KV TRANSFORMER CKT 1
15G	06NR		2 TO->FROM	G15_031_115	KRESS INTERCHANGE - SWISHER COUNTY INTERCHANGE 115KV CKT 1	238.9	0.59604	121.5622	G11_025_2 34.500 34.5/0.69KV TRANSFORMER CKT 1
15G	06NR		2 TO->FROM	G15_031_115	KRESS INTERCHANGE - SWISHER COUNTY INTERCHANGE 115KV CKT 1	238.9	0.59604	121.5622	G11_025T 115.00 - G11_025_1 115.00 115KV CKT 1
15G	06NR		2 TO->FROM	G15_031_115	KRESS INTERCHANGE - SWISHER COUNTY INTERCHANGE 115KV CKT 1	238.9	0.59599	121.3885	G14-074T 345.00 - TUCO INTERCHANGE 345KV CKT 1
15G	06NR		2 TO->FROM	G15_031_115	KRESS INTERCHANGE - SWISHER COUNTY INTERCHANGE 115KV CKT 1	238.9	0.5933	121.3855	FLOYD COUNTY INTERCHANGE - G11_025T 115.00 115KV CKT 1
15G	06NR		2 TO->FROM	G15_031_115	KRESS INTERCHANGE - SWISHER COUNTY INTERCHANGE 115KV CKT 1	238.9	0.59554	121.1645	DEAF SMITH COUNTY INTERCHANGE - G14-068T 230.00 230KV CKT 1
25SP	06ALL		2 TO->FROM	G15_031_115	KRESS INTERCHANGE - SWISHER COUNTY INTERCHANGE 115KV CKT 1	232.9	0.62069	121.0597	AMARILLO SOUTH INTERCHANGE - SWISHER COUNTY INTERCHANGE 230KV CKT 1
15G	06NR		2 TO->FROM	G15_031_115	KRESS INTERCHANGE - SWISHER COUNTY INTERCHANGE 115KV CKT 1	238.9	0.58998	120.7593	HALE CO INTERCHANGE - PLANT X STATION 115KV CKT 1
15G	06NR		2 TO->FROM	G15_031_115	KRESS INTERCHANGE - SWISHER COUNTY INTERCHANGE 115KV CKT 1	238.9	0.59148	120.6547	SPP-SWPS-25
15G	06NR		2 TO->FROM	G15_031_115	KRESS INTERCHANGE - SWISHER COUNTY INTERCHANGE 115KV CKT 1	238.9	0.59148	120.6547	SPP-SWPS-128
15G	06NR		2 TO->FROM	G15_031_115	KRESS INTERCHANGE - SWISHER COUNTY INTERCHANGE 115KV CKT 1	238.9	0.58138	119.5119	COX INTERCHANGE - FLOYD COUNTY INTERCHANGE 115KV CKT 1
20SP	06ALL		2 TO->FROM	G15_031_115	KRESS INTERCHANGE - SWISHER COUNTY INTERCHANGE 115KV CKT 1	234.9	0.62052	117.0055	AMARILLO SOUTH INTERCHANGE - SWISHER COUNTY INTERCHANGE 230KV CKT 1
20SP	06ALL		2 TO->FROM	G15_031_115	KRESS INTERCHANGE - SWISHER COUNTY INTERCHANGE 115KV CKT 1	213.5	0.59824	116.3213	BASE CASE
25SP	06ALL		2 TO->FROM	G15_031_115	KRESS INTERCHANGE - SWISHER COUNTY INTERCHANGE 115KV CKT 1	232.9	0.63808	115.3216	SWISHER COUNTY INTERCHANGE - TUCO_2 230.00 230KV CKT 1
25SP	06ALL		2 TO->FROM	G15_031_115	KRESS INTERCHANGE - SWISHER COUNTY INTERCHANGE 115KV CKT 1	232.9	0.5951	115.1104	PLANT X STATION (WH ALM20171) 230/115/13.2KV TRANSFORMER CKT 1
25SP	06ALL		2 TO->FROM	G15_031_115	KRESS INTERCHANGE - SWISHER COUNTY INTERCHANGE 115KV CKT 1	232.9	0.5959	113.7579	TUCO INTERCHANGE (GE M102345) 230/115/13.2KV TRANSFORMER CKT 1
25SP	06ALL		2 TO->FROM	G15_031_115	KRESS INTERCHANGE - SWISHER COUNTY INTERCHANGE 115KV CKT 1	232.9	0.59828	113.7269	G11_025_1 115.00 115/34.5KV TRANSFORMER CKT 1
25SP	06ALL		2 TO->FROM	G15_031_115	KRESS INTERCHANGE - SWISHER COUNTY INTERCHANGE 115KV CKT 1	232.9	0.59828	113.7269	G11_025_2 34.500 34.5/0.69KV TRANSFORMER CKT 1
25SP	06ALL		2 TO->FROM	G15_031_115	KRESS INTERCHANGE - SWISHER COUNTY INTERCHANGE 115KV CKT 1	232.9	0.59828	113.684	G11_025T 115.00 - G11_025_1 115.00 115KV CKT 1
25SP	06ALL		2 TO->FROM	G15_031_115	KRESS INTERCHANGE - SWISHER COUNTY INTERCHANGE 115KV CKT 1	232.9	0.59606	113.5844	TUCO INTERCHANGE (ENRCO 136401) 230/115/13.2KV TRANSFORMER CKT 2
15SP	06ALL		2 TO->FROM	G15_031_115	KRESS INTERCHANGE - SWISHER COUNTY INTERCHANGE 115KV CKT 1	236.9	0.62036	113.5635	AMARILLO SOUTH INTERCHANGE - SWISHER COUNTY INTERCHANGE 230KV CKT 1
25SP	06ALL		2 TO->FROM	G15_031_115	KRESS INTERCHANGE - SWISHER COUNTY INTERCHANGE 115KV CKT 1	232.9	0.60262	113.5466	NEWHART 230 - POTTER COUNTY INTERCHANGE 230KV CKT 1
25SP	06ALL		2 TO->FROM	G15_031_115	KRESS INTERCHANGE - SWISHER COUNTY INTERCHANGE 115KV CKT 1	232.9	0.59832	113.2082	AMARILLO SOUTH INTERCHANGE (ABB 801466) 230/115/13.2KV TRANSFORMER CKT 1
25SP	06ALL		2 TO->FROM	G15_031_115	KRESS INTERCHANGE - SWISHER COUNTY INTERCHANGE 115KV CKT 1	232.9	0.5961	113.1679	FLOYD COUNTY INTERCHANGE - G11_025T 115.00 115KV CKT 1
25SP	06ALL		2 TO->FROM	G15_031_115	KRESS INTERCHANGE - SWISHER COUNTY INTERCHANGE 115KV CKT 1	232.9	0.59976	112.9386	G14-074T 345.00 - OKLAUNION 345KV CKT 1
25SP	06ALL		2 TO->FROM	G15_031_115	KRESS INTERCHANGE - SWISHER COUNTY INTERCHANGE 115KV CKT 1	232.9	0.59315	112.6028	HALE CO INTERCHANGE - PLANT X STATION 115KV CKT 1
25SP	06ALL		2 TO->FROM	G15_031_115	KRESS INTERCHANGE - SWISHER COUNTY INTERCHANGE 115KV CKT 1	232.9	0.59686	112.5144	RANDALL COUNTY INTERCHANGE (GE M100353) 230/115/13.2KV TRANSFORMER CKT 1
25SP	06ALL		2 TO->FROM	G15_031_115	KRESS INTERCHANGE - SWISHER COUNTY INTERCHANGE 115KV CKT 1	232.9	0.59199	112.4285	NEWHART 230 (UPDATE LATER) 230/115/13.2KV TRANSFORMER CKT 2
25SP	06ALL		2 TO->FROM	G15_031_115	KRESS INTERCHANGE - SWISHER COUNTY INTERCHANGE 115KV CKT 1	232.9	0.59199	112.4285	NEWHART 230 (WAUK WT01105) 230/115/13.2KV TRANSFORMER CKT 1
15SP	06ALL		2 TO->FROM	G15_031_115	KRESS INTERCHANGE - SWISHER COUNTY INTERCHANGE 115KV CKT 1	215.7	0.59808	110.4052	BASE CASE
20WP	00NR		2 TO->FROM	G15_031_115	KRESS INTERCHANGE - SWISHER COUNTY INTERCHANGE 115KV CKT 1	248.8	0.60191	110.2785	BASE CASE
15WP	00NR		2 TO->FROM	G15_031_115	KRESS INTERCHANGE - SWISHER COUNTY INTERCHANGE 115KV CKT 1	263.6	0.61527	109.7045	AMARILLO SOUTH INTERCHANGE - SWISHER COUNTY INTERCHANGE 230KV CKT 1
20WP	00NR		2 TO->FROM	G15_031_115	KRESS INTERCHANGE - SWISHER COUNTY INTERCHANGE 115KV CKT 1	263.8	0.61741	109.6372	AMARILLO SOUTH INTERCHANGE - SWISHER COUNTY INTERCHANGE 230KV CKT 1
15WP	00NR		2 TO->FROM	G15_031_115	KRESS INTERCHANGE - SWISHER COUNTY INTERCHANGE 115KV CKT 1	248.5	0.60145	109.3904	BASE CASE
20SP	06ALL		2 TO->FROM	G15_031_115	KRESS INTERCHANGE - SWISHER COUNTY INTERCHANGE 115KV CKT 1	234.9	0.59507	108.8438	PLANT X STATION (WH ALM20171) 230/115/13.2KV TRANSFORMER CKT 1
20SP	06ALL		2 TO->FROM	G15_031_115	KRESS INTERCHANGE - SWISHER COUNTY INTERCHANGE 115KV CKT 1	234.9	0.63828	108.774	SWISHER COUNTY INTERCHANGE - TUCO_2 230.00 230KV CKT 1
20WP	00NR		2 TO->FROM	G15_031_115	KRESS INTERCHANGE - SWISHER COUNTY INTERCHANGE 115KV CKT 1	263.8	0.64472	108.2699	SWISHER COUNTY INTERCHANGE - TUCO_2 230.00 230KV CKT 1
20SP	06ALL		2 TO->FROM	G15_031_115	KRESS INTERCHANGE - SWISHER COUNTY INTERCHANGE 115KV CKT 1	234.9	0.60255	108.2197	NEWHART 230 - POTTER COUNTY INTERCHANGE 230KV CKT 1
20SP	06ALL		2 TO->FROM	G15_031_115	KRESS INTERCHANGE - SWISHER COUNTY INTERCHANGE 115KV CKT 1	234.9	0.59824	107.8101	G11_025_1 115.00 115/34.5KV TRANSFORMER CKT 1
20SP	06ALL		2 TO->FROM	G15_031_115	KRESS INTERCHANGE - SWISHER COUNTY INTERCHANGE 115KV CKT 1	234.9	0.59824	107.8101	G11_025_2 34.500 34.5/0.69KV TRANSFORMER CKT 1
20SP	06ALL		2 TO->FROM	G15_031_115	KRESS INTERCHANGE - SWISHER COUNTY INTERCHANGE 115KV CKT 1	234.9	0.59824	107.7676	G11_025T 115.00 - G11_025_1 115.00 115KV CKT 1
20SP	06ALL		2 TO->FROM	G15_031_115	KRESS INTERCHANGE - SWISHER COUNTY INTERCHANGE 115KV CKT 1	234.9	0.59605	107.6364	FLOYD COUNTY INTERCHANGE - G11_025T 115.00 115KV CKT 1
20SP	06ALL		2 TO->FROM	G15_031_115	KRESS INTERCHANGE - SWISHER COUNTY INTERCHANGE 115KV CKT 1	234.9	0.59974	107.6296	G14-074T 345.00 - OKLAUNION 345KV CKT 1

SEASON	GROUP	SCENARIO	DIRECTION	SOURCE	MONITORED ELEMENT	RATE (MVA)	TDF	CONTINGENCY	
								LOADING %	CONTINGENCY
15WP	00NR	2	TO->FROM	G15_031_115	KRESS INTERCHANGE - SWISHER COUNTY INTERCHANGE 115KV CKT 1	263.6	0.64296	107.2033	SWISHER COUNTY INTERCHANGE - TUCO_2 230.00 230KV CKT 1
20SP	06ALL	2	TO->FROM	G15_031_115	KRESS INTERCHANGE - SWISHER COUNTY INTERCHANGE 115KV CKT 1	234.9	0.59586	107.2022	TUCO INTERCHANGE (GE M102345) 230/115/13.2KV TRANSFORMER CKT 1
20SP	06ALL	2	TO->FROM	G15_031_115	KRESS INTERCHANGE - SWISHER COUNTY INTERCHANGE 115KV CKT 1	234.9	0.59828	107.1256	AMARILLO SOUTH INTERCHANGE (ABB 801466) 230/115/13.2KV TRANSFORMER CKT 1
20SP	06ALL	2	TO->FROM	G15_031_115	KRESS INTERCHANGE - SWISHER COUNTY INTERCHANGE 115KV CKT 1	234.9	0.59974	107.0762	G14-074T 345.00 - TUCO INTERCHANGE 345KV CKT 1
20SP	06ALL	2	TO->FROM	G15_031_115	KRESS INTERCHANGE - SWISHER COUNTY INTERCHANGE 115KV CKT 1	234.9	0.59601	107.0702	TUCO INTERCHANGE (ENRCO 136401) 230/115/13.2KV TRANSFORMER CKT 2
20SP	06ALL	2	TO->FROM	G15_031_115	KRESS INTERCHANGE - SWISHER COUNTY INTERCHANGE 115KV CKT 1	234.9	0.59312	106.653	HALE CO INTERCHANGE - PLANT X STATION 115KV CKT 1
20SP	06ALL	2	TO->FROM	G15_031_115	KRESS INTERCHANGE - SWISHER COUNTY INTERCHANGE 115KV CKT 1	234.9	0.59529	106.5236	SPP-SWPS-25
20SP	06ALL	2	TO->FROM	G15_031_115	KRESS INTERCHANGE - SWISHER COUNTY INTERCHANGE 115KV CKT 1	234.9	0.59529	106.5236	SPP-SWPS-T28
15WP	00NR	2	TO->FROM	G15_031_115	KRESS INTERCHANGE - SWISHER COUNTY INTERCHANGE 115KV CKT 1	263.6	0.60133	104.514	G14-074T 345.00 - OKLAUNION 345KV CKT 1
15WP	00NR	2	TO->FROM	G15_031_115	KRESS INTERCHANGE - SWISHER COUNTY INTERCHANGE 115KV CKT 1	263.6	0.60334	104.4014	NEWHART 230 - POTTER COUNTY INTERCHANGE 230KV CKT 1
20WP	00NR	2	TO->FROM	G15_031_115	KRESS INTERCHANGE - SWISHER COUNTY INTERCHANGE 115KV CKT 1	263.8	0.63184	104.2654	NEWHART 230 - SWISHER COUNTY INTERCHANGE 230KV CKT 1
15SP	06ALL	2	TO->FROM	G15_031_115	KRESS INTERCHANGE - SWISHER COUNTY INTERCHANGE 115KV CKT 1	236.9	0.63825	104.0887	SWISHER COUNTY INTERCHANGE - TUCO_2 230.00 230KV CKT 1
15WP	00NR	2	TO->FROM	G15_031_115	KRESS INTERCHANGE - SWISHER COUNTY INTERCHANGE 115KV CKT 1	263.6	0.5965	104.0023	PLANT X STATION (WH ALM20171) 230/115/13.2KV TRANSFORMER CKT 1
15SP	06ALL	2	TO->FROM	G15_031_115	KRESS INTERCHANGE - SWISHER COUNTY INTERCHANGE 115KV CKT 1	236.9	0.59483	103.5982	PLANT X STATION (WH ALM20171) 230/115/13.2KV TRANSFORMER CKT 1
15SP	06ALL	2	TO->FROM	G15_031_115	KRESS INTERCHANGE - SWISHER COUNTY INTERCHANGE 115KV CKT 1	236.9	0.60239	103.5905	NEWHART 230 - POTTER COUNTY INTERCHANGE 230KV CKT 1
20WP	00NR	2	TO->FROM	G15_031_115	KRESS INTERCHANGE - SWISHER COUNTY INTERCHANGE 115KV CKT 1	263.8	0.61009	103.3461	NEWHART 230 - PLANT X STATION 230KV CKT 1
20WP	00NR	2	TO->FROM	G15_031_115	KRESS INTERCHANGE - SWISHER COUNTY INTERCHANGE 115KV CKT 1	263.8	0.60806	103.3427	TUCO INTERCHANGE - TUCO_2 230.00 230KV CKT 1
15SP	06ALL	2	TO->FROM	G15_031_115	KRESS INTERCHANGE - SWISHER COUNTY INTERCHANGE 115KV CKT 1	236.9	0.59962	103.0553	G14-074T 345.00 - OKLAUNION 345KV CKT 1
20WP	00NR	2	TO->FROM	G15_031_115	KRESS INTERCHANGE - SWISHER COUNTY INTERCHANGE 115KV CKT 1	263.8	0.60191	102.6812	KRESS INTERCHANGE - SWISHER COUNTY REC-KRESS 69KV CKT Z1
20WP	00NR	2	TO->FROM	G15_031_115	KRESS INTERCHANGE - SWISHER COUNTY INTERCHANGE 115KV CKT 1	263.8	0.59617	102.635	HAPPY INTERCHANGE - TULIA TAP 115KV CKT 1
20WP	00NR	2	TO->FROM	G15_031_115	KRESS INTERCHANGE - SWISHER COUNTY INTERCHANGE 115KV CKT 1	263.8	0.59617	102.635	HAPPY INTERCHANGE - TULIA TAP 115KV CKT 2
15SP	06ALL	2	TO->FROM	G15_031_115	KRESS INTERCHANGE - SWISHER COUNTY INTERCHANGE 115KV CKT 1	236.9	0.59808	102.5513	G11_025_1 115.00 115/34.5KV TRANSFORMER CKT 1
15SP	06ALL	2	TO->FROM	G15_031_115	KRESS INTERCHANGE - SWISHER COUNTY INTERCHANGE 115KV CKT 1	236.9	0.59808	102.5513	G11_025_2 34.500 34.5/0.69KV TRANSFORMER CKT 1
15SP	06ALL	2	TO->FROM	G15_031_115	KRESS INTERCHANGE - SWISHER COUNTY INTERCHANGE 115KV CKT 1	236.9	0.59808	102.5513	G11_025T 115.00 - G11_025_1 115.00 115KV CKT 1
20WP	00NR	2	TO->FROM	G15_031_115	KRESS INTERCHANGE - SWISHER COUNTY INTERCHANGE 115KV CKT 1	263.8	0.60191	102.5296	KRESS INTERCHANGE (ENRCO 136155) 115/69/13.2KV TRANSFORMER CKT 1
15SP	06ALL	2	TO->FROM	G15_031_115	KRESS INTERCHANGE - SWISHER COUNTY INTERCHANGE 115KV CKT 1	236.9	0.59962	102.5065	G14-074T 345.00 - TUCO INTERCHANGE 345KV CKT 1
15WP	00NR	2	TO->FROM	G15_031_115	KRESS INTERCHANGE - SWISHER COUNTY INTERCHANGE 115KV CKT 1	263.6	0.63589	102.4913	NEWHART 230 - SWISHER COUNTY INTERCHANGE 230KV CKT 1
20WP	00NR	2	TO->FROM	G15_031_115	KRESS INTERCHANGE - SWISHER COUNTY INTERCHANGE 115KV CKT 1	263.8	0.58723	102.3764	COX INTERCHANGE - FLOYD COUNTY INTERCHANGE 115KV CKT 1
15SP	06ALL	2	TO->FROM	G15_031_115	KRESS INTERCHANGE - SWISHER COUNTY INTERCHANGE 115KV CKT 1	236.9	0.59606	102.2533	FLOYD COUNTY INTERCHANGE - G11_025T 115.00 115KV CKT 1
15WP	00NR	2	TO->FROM	G15_031_115	KRESS INTERCHANGE - SWISHER COUNTY INTERCHANGE 115KV CKT 1	263.6	0.60702	102.2026	TUCO INTERCHANGE - TUCO_2 230.00 230KV CKT 1
20WP	00NR	2	TO->FROM	G15_031_115	KRESS INTERCHANGE - SWISHER COUNTY INTERCHANGE 115KV CKT 1	263.8	0.5942	102.1077	KRESS INTERCHANGE - TULIA TAP 115KV CKT 1
20WP	00NR	2	TO->FROM	G15_031_115	KRESS INTERCHANGE - SWISHER COUNTY INTERCHANGE 115KV CKT 1	263.8	0.5942	102.1077	KRESS INTERCHANGE - TULIA TAP 115KV CKT 2
20WP	00NR	2	TO->FROM	G15_031_115	KRESS INTERCHANGE - SWISHER COUNTY INTERCHANGE 115KV CKT 1	263.8	0.59206	102.0917	PALO DURO SUB - RANDALL COUNTY INTERCHANGE 115KV CKT 1
20WP	00NR	2	TO->FROM	G15_031_115	KRESS INTERCHANGE - SWISHER COUNTY INTERCHANGE 115KV CKT 1	263.8	0.59206	102.0917	PALO DURO SUB - RANDALL COUNTY INTERCHANGE 115KV CKT 2
15SP	06ALL	2	TO->FROM	G15_031_115	KRESS INTERCHANGE - SWISHER COUNTY INTERCHANGE 115KV CKT 1	236.9	0.59899	102.0118	BORDER 7345.00 - TUCO_2 345.00 345KV CKT 1
15SP	06ALL	2	TO->FROM	G15_031_115	KRESS INTERCHANGE - SWISHER COUNTY INTERCHANGE 115KV CKT 1	236.9	0.59899	102.0118	BORDER 7345.00 - TUCO_2 345.00 345KV CKT 2
15WP	00NR	2	TO->FROM	G15_031_115	KRESS INTERCHANGE - SWISHER COUNTY INTERCHANGE 115KV CKT 1	263.6	0.61112	101.9863	NEWHART 230 - PLANT X STATION 230KV CKT 1
15WP	00NR	2	TO->FROM	G15_031_115	KRESS INTERCHANGE - SWISHER COUNTY INTERCHANGE 115KV CKT 1	263.6	0.60145	101.948	KRESS INTERCHANGE - SWISHER COUNTY REC-KRESS 69KV CKT Z1
15SP	06ALL	2	TO->FROM	G15_031_115	KRESS INTERCHANGE - SWISHER COUNTY INTERCHANGE 115KV CKT 1	236.9	0.59824	101.8539	DEAF SMITH COUNTY INTERCHANGE - G14-068T 230.00 230KV CKT 1
15SP	06ALL	2	TO->FROM	G15_031_115	KRESS INTERCHANGE - SWISHER COUNTY INTERCHANGE 115KV CKT 1	236.9	0.59824	101.8539	G14-068T 230.00 - PLANT X STATION 230KV CKT 1
15WP	00NR	2	TO->FROM	G15_031_115	KRESS INTERCHANGE - SWISHER COUNTY INTERCHANGE 115KV CKT 1	263.6	0.60145	101.7963	KRESS INTERCHANGE (ENRCO 136155) 115/69/13.2KV TRANSFORMER CKT 1
15SP	06ALL	2	TO->FROM	G15_031_115	KRESS INTERCHANGE - SWISHER COUNTY INTERCHANGE 115KV CKT 1	236.9	0.59297	101.7889	HALE CO INTERCHANGE - PLANT X STATION 115KV CKT 1
15SP	06ALL	2	TO->FROM	G15_031_115	KRESS INTERCHANGE - SWISHER COUNTY INTERCHANGE 115KV CKT 1	236.9	0.59811	101.7459	AMARILLO SOUTH INTERCHANGE (ABB 801466) 230/115/13.2KV TRANSFORMER CKT 1
20WP	00NR	2	TO->FROM	G15_031_115	KRESS INTERCHANGE - SWISHER COUNTY INTERCHANGE 115KV CKT 1	263.8	0.58519	101.7274	HALE CO INTERCHANGE - TUCO INTERCHANGE 115KV CKT 1
15WP	00NR	2	TO->FROM	G15_031_115	KRESS INTERCHANGE - SWISHER COUNTY INTERCHANGE 115KV CKT 1	263.6	0.59587	101.6923	HAPPY INTERCHANGE - TULIA TAP 115KV CKT 1
15WP	00NR	2	TO->FROM	G15_031_115	KRESS INTERCHANGE - SWISHER COUNTY INTERCHANGE 115KV CKT 1	263.6	0.59587	101.6923	HAPPY INTERCHANGE - TULIA TAP 115KV CKT 2
15WP	00NR	2	TO->FROM	G15_031_115	KRESS INTERCHANGE - SWISHER COUNTY INTERCHANGE 115KV CKT 1	263.6	0.58729	101.5125	COX INTERCHANGE - FLOYD COUNTY INTERCHANGE 115KV CKT 1
20WP	00NR	2	TO->FROM	G15_031_115	KRESS INTERCHANGE - SWISHER COUNTY INTERCHANGE 115KV CKT 1	263.8	0.58081	101.381	COX INTERCHANGE - KISER 3115.00 115KV CKT 1
15WP	00NR	2	TO->FROM	G15_031_115	KRESS INTERCHANGE - SWISHER COUNTY INTERCHANGE 115KV CKT 1	263.6	0.59395	101.0945	KRESS INTERCHANGE - TULIA TAP 115KV CKT 1
15WP	00NR	2	TO->FROM	G15_031_115	KRESS INTERCHANGE - SWISHER COUNTY INTERCHANGE 115KV CKT 1	263.6	0.59395	101.0945	KRESS INTERCHANGE - TULIA TAP 115KV CKT 2
15WP	00NR	2	TO->FROM	G15_031_115	KRESS INTERCHANGE - SWISHER COUNTY INTERCHANGE 115KV CKT 1	263.6	0.59187	101.0474	PALO DURO SUB - RANDALL COUNTY INTERCHANGE 115KV CKT 1
15WP	00NR	2	TO->FROM	G15_031_115	KRESS INTERCHANGE - SWISHER COUNTY INTERCHANGE 115KV CKT 1	263.6	0.59187	101.0474	PALO DURO SUB - RANDALL COUNTY INTERCHANGE 115KV CKT 2
20WP	00NR	2	TO->FROM	G15_031_115	KRESS INTERCHANGE - SWISHER COUNTY INTERCHANGE 115KV CKT 1	263.8	0.58645	100.923	HAPPY INTERCHANGE - PALO DURO SUB 115KV CKT 1
20WP	00NR	2	TO->FROM	G15_031_115	KRESS INTERCHANGE - SWISHER COUNTY INTERCHANGE 115KV CKT 1	263.8	0.58645	100.923	HAPPY INTERCHANGE - PALO DURO SUB 115KV CKT 2
15WP	00NR	2	TO->FROM	G15_031_115	KRESS INTERCHANGE - SWISHER COUNTY INTERCHANGE 115KV CKT 1	263.6	0.58537	100.8008	HALE CO INTERCHANGE - TUCO INTERCHANGE 115KV CKT 1
15G	06ALL	2	FROM->TO	G15_031_115	SWISHER COUNTY INTERCHANGE (GE M101686) 230/115/13.2KV TRANSFORMER CKT 1	145.8	1	281.4815	KRESS INTERCHANGE - SWISHER COUNTY INTERCHANGE 115KV CKT 1
15G	06ALL	2	FROM->TO	G15_031_115	SWISHER COUNTY INTERCHANGE (GE M101686) 230/115/13.2KV TRANSFORMER CKT 1	146.1	1	280.9719	KRESS INTERCHANGE - SWISHER COUNTY INTERCHANGE 115KV CKT 1
15G	06NR	2	FROM->TO	G15_031_115	SWISHER COUNTY INTERCHANGE (GE M101686) 230/115/13.2KV TRANSFORMER CKT 1	146.8	1	279.564	KRESS INTERCHANGE - SWISHER COUNTY INTERCHANGE 115KV CKT 1
15G	06NR	2	FROM->TO	G15_031_115	SWISHER COUNTY INTERCHANGE (GE M101686) 230/115/13.2KV TRANSFORMER CKT 1	147	1	279.2517	KRESS INTERCHANGE - SWISHER COUNTY INTERCHANGE 115KV CKT 1
15G	06ALL	2	FROM->TO	G15_031_115	SWISHER COUNTY INTERCHANGE (GE M101686) 230/115/13.2KV TRANSFORMER CKT 1	145.8	0.47392	161.8436	KRESS INTERCHANGE - NEWHART 115KV CKT 1
15G	06ALL	2	FROM->TO	G15_031_115	SWISHER COUNTY INTERCHANGE (GE M101686) 230/115/13.2KV TRANSFORMER CKT 1	146.1	0.47392	161.5797	KRESS INTERCHANGE - NEWHART 115KV CKT 1
15G	06ALL	2	FROM->TO	G15_031_115	SWISHER COUNTY INTERCHANGE (GE M101686) 230/115/13.2KV TRANSFORMER CKT 1	145.8	0.43323	158.5144	SPP-SWPS-T66
15G	06ALL	2	FROM->TO	G15_031_115	SWISHER COUNTY INTERCHANGE (GE M101686) 230/115/13.2KV TRANSFORMER CKT 1	146.1	0.43323	158.2574	SPP-SWPS-T66
15G	06ALL	2	FROM->TO	G15_031_115	SWISHER COUNTY INTERCHANGE (GE M101686) 230/115/13.2KV TRANSFORMER CKT 1	145.8	0.4548	156.6804	HALE CO INTERCHANGE - KRESS INTERCHANGE 115KV CKT 1
15G	06ALL	2	FROM->TO	G15_031_115	SWISHER COUNTY INTERCHANGE (GE M101686) 230/115/13.2KV TRANSFORMER CKT 1	146.1	0.4548	156.4271	HALE CO INTERCHANGE - KRESS INTERCHANGE 115KV CKT 1

SEASON	GROUP	SCENARIO	DIRECTION	SOURCE	MONITORED ELEMENT	RATE		CONTINGENCY	
						(MVA)	TDF	LOADING %	CONTINGENCY
15G	06ALL	2	FROM->TO	G15_031_115	SWISHER COUNTY INTERCHANGE (GE M101686) 230/115/13.2KV TRANSFORMER CKT 1	145.8	0.42596	153.1152	HAPPY INTERCHANGE - PALO DURO SUB 115KV CKT 1
15G	06ALL	2	FROM->TO	G15_031_115	SWISHER COUNTY INTERCHANGE (GE M101686) 230/115/13.2KV TRANSFORMER CKT 1	145.8	0.42596	153.1152	HAPPY INTERCHANGE - PALO DURO SUB 115KV CKT 2
15G	06ALL	2	FROM->TO	G15_031_115	SWISHER COUNTY INTERCHANGE (GE M101686) 230/115/13.2KV TRANSFORMER CKT 1	146.1	0.42596	152.8693	HAPPY INTERCHANGE - PALO DURO SUB 115KV CKT 1
15G	06ALL	2	FROM->TO	G15_031_115	SWISHER COUNTY INTERCHANGE (GE M101686) 230/115/13.2KV TRANSFORMER CKT 1	146.1	0.42596	152.8693	HAPPY INTERCHANGE - PALO DURO SUB 115KV CKT 2
15G	06ALL	2	FROM->TO	G15_031_115	SWISHER COUNTY INTERCHANGE (GE M101686) 230/115/13.2KV TRANSFORMER CKT 1	145.8	0.42728	148.7339	KRESS INTERCHANGE - KRESS_RURAL3115.00 115KV CKT 1
15G	06ALL	2	FROM->TO	G15_031_115	SWISHER COUNTY INTERCHANGE (GE M101686) 230/115/13.2KV TRANSFORMER CKT 1	146.1	0.42728	148.4969	KRESS INTERCHANGE - KRESS_RURAL3115.00 115KV CKT 1
15G	06ALL	2	FROM->TO	G15_031_115	SWISHER COUNTY INTERCHANGE (GE M101686) 230/115/13.2KV TRANSFORMER CKT 1	145.8	0.42728	148.3909	KRESS_INTERCHANGE - N_PLAINVIEW 3115.00 115KV CKT 1
15G	06ALL	2	FROM->TO	G15_031_115	SWISHER COUNTY INTERCHANGE (GE M101686) 230/115/13.2KV TRANSFORMER CKT 1	146.1	0.42728	148.1547	KRESS_RURAL3115.00 - N_PLAINVIEW 3115 00 115KV CKT 1
15G	06ALL	2	FROM->TO	G15_031_115	SWISHER COUNTY INTERCHANGE (GE M101686) 230/115/13.2KV TRANSFORMER CKT 1	145.8	0.41931	148.0014	PALO DURO SUB - RANDALL COUNTY INTERCHANGE 115KV CKT 1
15G	06ALL	2	FROM->TO	G15_031_115	SWISHER COUNTY INTERCHANGE (GE M101686) 230/115/13.2KV TRANSFORMER CKT 1	145.8	0.41931	148.0014	PALO DURO SUB - RANDALL COUNTY INTERCHANGE 115KV CKT 2
15G	06ALL	2	FROM->TO	G15_031_115	SWISHER COUNTY INTERCHANGE (GE M101686) 230/115/13.2KV TRANSFORMER CKT 1	146.1	0.41931	147.7659	PALO DURO SUB - RANDALL COUNTY INTERCHANGE 115KV CKT 1
15G	06ALL	2	FROM->TO	G15_031_115	SWISHER COUNTY INTERCHANGE (GE M101686) 230/115/13.2KV TRANSFORMER CKT 1	146.1	0.41931	147.7659	PALO DURO SUB - RANDALL COUNTY INTERCHANGE 115KV CKT 2
15G	06ALL	2	FROM->TO	G15_031_115	SWISHER COUNTY INTERCHANGE (GE M101686) 230/115/13.2KV TRANSFORMER CKT 1	145.8	0.40763	147.7572	KRESS INTERCHANGE (ENRCO 136155) 115/69/13.2KV TRANSFORMER CKT 1
15G	06ALL	2	FROM->TO	G15_031_115	SWISHER COUNTY INTERCHANGE (GE M101686) 230/115/13.2KV TRANSFORMER CKT 1	145.8	0.42728	147.5679	KISER 3115.00 - N_PLAINVIEW 3115.00 115KV CKT 1
15G	06ALL	2	FROM->TO	G15_031_115	SWISHER COUNTY INTERCHANGE (GE M101686) 230/115/13.2KV TRANSFORMER CKT 1	146.1	0.40763	147.5222	KRESS INTERCHANGE (ENRCO 136155) 115/69/13.2KV TRANSFORMER CKT 1
15G	06ALL	2	FROM->TO	G15_031_115	SWISHER COUNTY INTERCHANGE (GE M101686) 230/115/13.2KV TRANSFORMER CKT 1	146.1	0.42728	147.3333	KISER 3115.00 - N_PLAINVIEW 3115.00 115KV CKT 1
15G	06ALL	2	FROM->TO	G15_031_115	SWISHER COUNTY INTERCHANGE (GE M101686) 230/115/13.2KV TRANSFORMER CKT 1	145.8	0.40763	146.8656	KRESS INTERCHANGE - SWISHER COUNTY REC-KRESS 69KV CKT Z1
15G	06ALL	2	FROM->TO	G15_031_115	SWISHER COUNTY INTERCHANGE (GE M101686) 230/115/13.2KV TRANSFORMER CKT 1	145.8	0.40513	146.8011	TUCO INTERCHANGE - TUCO_2 230.00 230KV CKT 1
15G	06ALL	2	FROM->TO	G15_031_115	SWISHER COUNTY INTERCHANGE (GE M101686) 230/115/13.2KV TRANSFORMER CKT 1	146.1	0.40763	146.6324	KRESS INTERCHANGE - SWISHER COUNTY REC-KRESS 69KV CKT Z1
15G	06ALL	2	FROM->TO	G15_031_115	SWISHER COUNTY INTERCHANGE (GE M101686) 230/115/13.2KV TRANSFORMER CKT 1	146.1	0.40513	146.4997	TUCO INTERCHANGE - TUCO_2 230.00 230KV CKT 1
15G	06ALL	2	FROM->TO	G15_031_115	SWISHER COUNTY INTERCHANGE (GE M101686) 230/115/13.2KV TRANSFORMER CKT 1	145.8	0.40134	145.8957	NEWHART 230 - PLANT X STATION 230KV CKT 1
15G	06ALL	2	FROM->TO	G15_031_115	SWISHER COUNTY INTERCHANGE (GE M101686) 230/115/13.2KV TRANSFORMER CKT 1	146.1	0.40134	145.6646	NEWHART 230 - PLANT X STATION 230KV CKT 1
15G	06ALL	2	FROM->TO	G15_031_115	SWISHER COUNTY INTERCHANGE (GE M101686) 230/115/13.2KV TRANSFORMER CKT 1	145.8	0.41443	144.9973	HAPPY INTERCHANGE - TULIA TAP 115KV CKT 1
15G	06ALL	2	FROM->TO	G15_031_115	SWISHER COUNTY INTERCHANGE (GE M101686) 230/115/13.2KV TRANSFORMER CKT 1	145.8	0.41443	144.9973	HAPPY INTERCHANGE - TULIA TAP 115KV CKT 2
15G	06ALL	2	FROM->TO	G15_031_115	SWISHER COUNTY INTERCHANGE (GE M101686) 230/115/13.2KV TRANSFORMER CKT 1	146.1	0.41443	144.6995	HAPPY INTERCHANGE - TULIA TAP 115KV CKT 1
15G	06ALL	2	FROM->TO	G15_031_115	SWISHER COUNTY INTERCHANGE (GE M101686) 230/115/13.2KV TRANSFORMER CKT 1	146.1	0.41443	144.6995	HAPPY INTERCHANGE - TULIA TAP 115KV CKT 2
15G	06ALL	2	FROM->TO	G15_031_115	SWISHER COUNTY INTERCHANGE (GE M101686) 230/115/13.2KV TRANSFORMER CKT 1	145.8	0.40795	143.7778	TUCO_2 345.00 - YOAKUM_345 345.00 345KV CKT 1
15G	06ALL	2	FROM->TO	G15_031_115	SWISHER COUNTY INTERCHANGE (GE M101686) 230/115/13.2KV TRANSFORMER CKT 1	146.1	0.40795	143.5511	TUCO_2 345.00 - YOAKUM_345 345.00 345KV CKT 1
15G	06ALL	2	FROM->TO	G15_031_115	SWISHER COUNTY INTERCHANGE (GE M101686) 230/115/13.2KV TRANSFORMER CKT 1	145.8	0.42219	143.5473	SPP-SWPS-T67
15G	06ALL	2	FROM->TO	G15_031_115	SWISHER COUNTY INTERCHANGE (GE M101686) 230/115/13.2KV TRANSFORMER CKT 1	146.1	0.42219	143.3211	SPP-SWPS-T67
15G	06ALL	2	FROM->TO	G15_031_115	SWISHER COUNTY INTERCHANGE (GE M101686) 230/115/13.2KV TRANSFORMER CKT 1	145.8	0.38129	140.5226	NEWHART 230 - SWISHER COUNTY INTERCHANGE 230KV CKT 1
15G	06ALL	2	FROM->TO	G15_031_115	SWISHER COUNTY INTERCHANGE (GE M101686) 230/115/13.2KV TRANSFORMER CKT 1	146.1	0.38129	140.3025	NEWHART 230 - SWISHER COUNTY INTERCHANGE 230KV CKT 1
15G	06ALL	2	FROM->TO	G15_031_115	SWISHER COUNTY INTERCHANGE (GE M101686) 230/115/13.2KV TRANSFORMER CKT 1	145.8	0.40763	139.2524	BASE CASE
15G	06ALL	2	FROM->TO	G15_031_115	SWISHER COUNTY INTERCHANGE (GE M101686) 230/115/13.2KV TRANSFORMER CKT 1	146.1	0.40763	138.9664	BASE CASE
25SP	06ALL	2	FROM->TO	G15_031_115	SWISHER COUNTY INTERCHANGE (UPDATE LATER) 230/115/13.2KV TRANSFORMER CKT 1	236.9	1	173.0266	KRESS INTERCHANGE - SWISHER COUNTY INTERCHANGE 115KV CKT 1
25SP	00NR	2	FROM->TO	G15_031_115	SWISHER COUNTY INTERCHANGE (UPDATE LATER) 230/115/13.2KV TRANSFORMER CKT 1	237.9	1	172.2993	KRESS INTERCHANGE - SWISHER COUNTY INTERCHANGE 115KV CKT 1
25SP	06ALL	2	FROM->TO	G15_031_115	SWISHER COUNTY INTERCHANGE (UPDATE LATER) 230/115/13.2KV TRANSFORMER CKT 1	239.2	1	171.4465	KRESS INTERCHANGE - SWISHER COUNTY INTERCHANGE 115KV CKT 1
20SP	06ALL	2	FROM->TO	G15_031_115	SWISHER COUNTY INTERCHANGE (UPDATE LATER) 230/115/13.2KV TRANSFORMER CKT 1	239.3	1	171.3748	KRESS INTERCHANGE - SWISHER COUNTY INTERCHANGE 115KV CKT 1
25SP	00NR	2	FROM->TO	G15_031_115	SWISHER COUNTY INTERCHANGE (UPDATE LATER) 230/115/13.2KV TRANSFORMER CKT 1	240	1	170.875	KRESS INTERCHANGE - SWISHER COUNTY INTERCHANGE 115KV CKT 1
20SP	06ALL	2	FROM->TO	G15_031_115	SWISHER COUNTY INTERCHANGE (UPDATE LATER) 230/115/13.2KV TRANSFORMER CKT 1	240.8	1	170.3488	KRESS INTERCHANGE - SWISHER COUNTY INTERCHANGE 115KV CKT 1
15SP	06ALL	2	FROM->TO	G15_031_115	SWISHER COUNTY INTERCHANGE (UPDATE LATER) 230/115/13.2KV TRANSFORMER CKT 1	243	1	168.8066	KRESS INTERCHANGE - SWISHER COUNTY INTERCHANGE 115KV CKT 1
15SP	06ALL	2	FROM->TO	G15_031_115	SWISHER COUNTY INTERCHANGE (UPDATE LATER) 230/115/13.2KV TRANSFORMER CKT 1	243.8	1	168.2937	KRESS INTERCHANGE - SWISHER COUNTY INTERCHANGE 115KV CKT 1
20SP	00NR	2	FROM->TO	G15_031_115	SWISHER COUNTY INTERCHANGE (UPDATE LATER) 230/115/13.2KV TRANSFORMER CKT 1	244.8	1	167.5245	KRESS INTERCHANGE - SWISHER COUNTY INTERCHANGE 115KV CKT 1
20SP	00NR	2	FROM->TO	G15_031_115	SWISHER COUNTY INTERCHANGE (UPDATE LATER) 230/115/13.2KV TRANSFORMER CKT 1	245.5	1	167.0876	KRESS INTERCHANGE - SWISHER COUNTY INTERCHANGE 115KV CKT 1
15SP	00NR	2	FROM->TO	G15_031_115	SWISHER COUNTY INTERCHANGE (UPDATE LATER) 230/115/13.2KV TRANSFORMER CKT 1	247.4	1	165.8044	KRESS INTERCHANGE - SWISHER COUNTY INTERCHANGE 115KV CKT 1
15SP	00NR	2	FROM->TO	G15_031_115	SWISHER COUNTY INTERCHANGE (UPDATE LATER) 230/115/13.2KV TRANSFORMER CKT 1	247.7	1	165.6439	KRESS INTERCHANGE - SWISHER COUNTY INTERCHANGE 115KV CKT 1
20WP	06ALL	2	FROM->TO	G15_031_115	SWISHER COUNTY INTERCHANGE (UPDATE LATER) 230/115/13.2KV TRANSFORMER CKT 1	249.4	1	164.6351	KRESS INTERCHANGE - SWISHER COUNTY INTERCHANGE 115KV CKT 1
20WP	06ALL	2	FROM->TO	G15_031_115	SWISHER COUNTY INTERCHANGE (UPDATE LATER) 230/115/13.2KV TRANSFORMER CKT 1	249.4	1	164.595	KRESS INTERCHANGE - SWISHER COUNTY INTERCHANGE 115KV CKT 1
15WP	00NR	2	FROM->TO	G15_031_115	SWISHER COUNTY INTERCHANGE (UPDATE LATER) 230/115/13.2KV TRANSFORMER CKT 1	249.8	1	164.3715	KRESS INTERCHANGE - SWISHER COUNTY INTERCHANGE 115KV CKT 1
15WP	00NR	2	FROM->TO	G15_031_115	SWISHER COUNTY INTERCHANGE (UPDATE LATER) 230/115/13.2KV TRANSFORMER CKT 1	249.8	1	164.3315	KRESS INTERCHANGE - SWISHER COUNTY INTERCHANGE 115KV CKT 1
20WP	00NR	2	FROM->TO	G15_031_115	SWISHER COUNTY INTERCHANGE (UPDATE LATER) 230/115/13.2KV TRANSFORMER CKT 1	249.9	1	164.3057	KRESS INTERCHANGE - SWISHER COUNTY INTERCHANGE 115KV CKT 1
20WP	00NR	2	FROM->TO	G15_031_115	SWISHER COUNTY INTERCHANGE (UPDATE LATER) 230/115/13.2KV TRANSFORMER CKT 1	249.9	1	164.2657	KRESS INTERCHANGE - SWISHER COUNTY INTERCHANGE 115KV CKT 1
15WP	06ALL	2	FROM->TO	G15_031_115	SWISHER COUNTY INTERCHANGE (UPDATE LATER) 230/115/13.2KV TRANSFORMER CKT 1	250	1	164.24	KRESS INTERCHANGE - SWISHER COUNTY INTERCHANGE 115KV CKT 1
15WP	06ALL	2	FROM->TO	G15_031_115	SWISHER COUNTY INTERCHANGE (UPDATE LATER) 230/115/13.2KV TRANSFORMER CKT 1	250	1	164.2	KRESS INTERCHANGE - SWISHER COUNTY INTERCHANGE 115KV CKT 1
15WP	06ALL	2	FROM->TO	G15_031_115	SWISHER COUNTY INTERCHANGE (UPDATE LATER) 230/115/13.2KV TRANSFORMER CKT 1	250	0.4746	102.5768	KRESS INTERCHANGE - NEWHART 115KV CKT 1
15WP	06ALL	2	FROM->TO	G15_031_115	SWISHER COUNTY INTERCHANGE (UPDATE LATER) 230/115/13.2KV TRANSFORMER CKT 1	250	0.4746	102.5368	KRESS INTERCHANGE - NEWHART 115KV CKT 1
20WP	06ALL	2	FROM->TO	G15_031_115	SWISHER COUNTY INTERCHANGE (UPDATE LATER) 230/115/13.2KV TRANSFORMER CKT 1	249.4	0.47452	101.2358	KRESS INTERCHANGE - NEWHART 115KV CKT 1
20WP	06ALL	2	FROM->TO	G15_031_115	SWISHER COUNTY INTERCHANGE (UPDATE LATER) 230/115/13.2KV TRANSFORMER CKT 1	249.4	0.47452	101.1957	KRESS INTERCHANGE - NEWHART 115KV CKT 1
15WP	06ALL	2	FROM->TO	G15_031_115	SWISHER COUNTY INTERCHANGE (UPDATE LATER) 230/115/13.2KV TRANSFORMER CKT 1	250	0.42633	100.1216	SPP-SWPS-T66
15WP	06ALL	2	FROM->TO	G15_031_115	SWISHER COUNTY INTERCHANGE (UPDATE LATER) 230/115/13.2KV TRANSFORMER CKT 1	250	0.42633	100.0816	SPP-SWPS-T66
25SP	00NR	3	FROM->TO	G15_031_115	EDDY_NORTH 6230.00 (WAUK WTO1134) 230/115/13.2KV TRANSFORMER CKT 2	285.3	0.03182	103.5212	EDDY COUNTY INTERCHANGE - EDDY_NORTH 6230.00 230KV CKT @1
25SP	00NR	3	FROM->TO	G15_031_115	EDDY_NORTH 6230.00 (WAUK WTO1134) 230/115/13.2KV TRANSFORMER CKT 2	286.5	0.03182	103.0178	EDDY COUNTY INTERCHANGE - EDDY_NORTH 6230.00 230KV CKT @1
25SP	00NR	3	TO->FROM	G15_031_115	KRESS INTERCHANGE - SWISHER COUNTY INTERCHANGE 115KV CKT 1	207.1	0.47625	155.9995	BASE CASE
25SP	00NR	3	TO->FROM	G15_031_115	KRESS INTERCHANGE - SWISHER COUNTY INTERCHANGE 115KV CKT 1	229.1	0.53575	153.5683	SWISHER COUNTY INTERCHANGE - TUCO_2 230.00 230KV CKT 1
25SP	00NR	3	TO->FROM	G15_031_115	KRESS INTERCHANGE - SWISHER COUNTY INTERCHANGE 115KV CKT 1	229.1	0.48461	145.8677	TUCO INTERCHANGE - TUCO_2 230.00 230KV CKT 1

SEASON	GROUP	SCENARIO	DIRECTION	SOURCE	MONITORED ELEMENT	RATE		CONTINGENCY	
						(MVA)	TDF	LOADING %	CONTINGENCY
25SP	00NR		3 TO->FROM	G15_031_115	KRESS INTERCHANGE - SWISHER COUNTY INTERCHANGE 115KV CKT 1	229.1	0.47478	145.4535	TUCO INTERCHANGE (GE M102345) 230/115/13.2KV TRANSFORMER CKT 1
25SP	00NR		3 TO->FROM	G15_031_115	KRESS INTERCHANGE - SWISHER COUNTY INTERCHANGE 115KV CKT 1	229.1	0.47182	145.4151	PLANT X STATION (WH ALM20171) 230/115/13.2KV TRANSFORMER CKT 1
20SP	00NR		3 TO->FROM	G15_031_115	KRESS INTERCHANGE - SWISHER COUNTY INTERCHANGE 115KV CKT 1	210.7	0.47678	145.1989	BASE CASE
25SP	00NR		3 TO->FROM	G15_031_115	KRESS INTERCHANGE - SWISHER COUNTY INTERCHANGE 115KV CKT 1	229.1	0.47487	145.1598	TUCO INTERCHANGE (ENRCO 136401) 230/115/13.2KV TRANSFORMER CKT 2
25SP	00NR		3 TO->FROM	G15_031_115	KRESS INTERCHANGE - SWISHER COUNTY INTERCHANGE 115KV CKT 1	229.1	0.47807	144.2257	JONES STATION - TUCO INTERCHANGE 230KV CKT 1
25SP	00NR		3 TO->FROM	G15_031_115	KRESS INTERCHANGE - SWISHER COUNTY INTERCHANGE 115KV CKT 1	229.1	0.47157	144.0729	NEWHART 230 (UPDATE LATER) 230/115/13.2KV TRANSFORMER CKT 2
25SP	00NR		3 TO->FROM	G15_031_115	KRESS INTERCHANGE - SWISHER COUNTY INTERCHANGE 115KV CKT 1	229.1	0.47157	144.0729	NEWHART 230 (WAIK WT01105) 230/115/13.2KV TRANSFORMER CKT 1
25SP	00NR		3 TO->FROM	G15_031_115	KRESS INTERCHANGE - SWISHER COUNTY INTERCHANGE 115KV CKT 1	229.1	0.47189	143.8965	FLOYD COUNTY INTERCHANGE - TUCO INTERCHANGE 115KV CKT 1
25SP	00NR		3 TO->FROM	G15_031_115	KRESS INTERCHANGE - SWISHER COUNTY INTERCHANGE 115KV CKT 1	229.1	0.47844	143.4448	TUCO_2 345.00 - YOAKUM_345 345.00 345KV CKT 1
25SP	00NR		3 TO->FROM	G15_031_115	KRESS INTERCHANGE - SWISHER COUNTY INTERCHANGE 115KV CKT 1	229.1	0.47726	143.2903	CARLISLE INTERCHANGE - TUCO INTERCHANGE 230KV CKT 1
25SP	00NR		3 TO->FROM	G15_031_115	KRESS INTERCHANGE - SWISHER COUNTY INTERCHANGE 115KV CKT 1	229.1	0.47646	143.1419	AMARILLO SOUTH INTERCHANGE (ABB 801466) 230/115/13.2KV TRANSFORMER CKT 1
25SP	00NR		3 TO->FROM	G15_031_115	KRESS INTERCHANGE - SWISHER COUNTY INTERCHANGE 115KV CKT 1	229.1	0.47497	143.1213	RANDALL COUNTY INTERCHANGE (GE M100353) 230/115/13.2KV TRANSFORMER CKT 1
25SP	00NR		3 TO->FROM	G15_031_115	KRESS INTERCHANGE - SWISHER COUNTY INTERCHANGE 115KV CKT 1	229.1	0.47512	142.9664	SPP-SWPS-K19
25SP	00NR		3 TO->FROM	G15_031_115	KRESS INTERCHANGE - SWISHER COUNTY INTERCHANGE 115KV CKT 1	229.1	0.47509	142.7442	RANDALL COUNTY INTERCHANGE (WAIK WT01090) 230/115/13.2KV TRANSFORMER CKT 2
20SP	00NR		3 TO->FROM	G15_031_115	KRESS INTERCHANGE - SWISHER COUNTY INTERCHANGE 115KV CKT 1	232.4	0.60252	142.4079	SWISHER COUNTY INTERCHANGE (SWISHER2) 230/115/13.2KV TRANSFORMER CKT 1
20SP	00NR		3 TO->FROM	G15_031_115	KRESS INTERCHANGE - SWISHER COUNTY INTERCHANGE 115KV CKT 1	232.4	0.60252	142.4079	SWISHER COUNTY INTERCHANGE (UPDATE LATER) 230/115/13.2KV TRANSFORMER CKT 1
25SP	00NR		3 TO->FROM	G15_031_115	KRESS INTERCHANGE - SWISHER COUNTY INTERCHANGE 115KV CKT 1	229.1	0.45241	142.306	SPP-SWPS-T66
25SP	00NR		3 TO->FROM	G15_031_115	KRESS INTERCHANGE - SWISHER COUNTY INTERCHANGE 115KV CKT 1	229.1	0.46951	142.2754	HALE CO INTERCHANGE - PLANT X STATION 115KV CKT 1
25SP	00NR		3 TO->FROM	G15_031_115	KRESS INTERCHANGE - SWISHER COUNTY INTERCHANGE 115KV CKT 1	229.1	0.45913	141.8765	HAPPY INTERCHANGE - PALO DURO SUB 115KV CKT 1
25SP	00NR		3 TO->FROM	G15_031_115	KRESS INTERCHANGE - SWISHER COUNTY INTERCHANGE 115KV CKT 1	229.1	0.45913	141.8765	HAPPY INTERCHANGE - PALO DURO SUB 115KV CKT 2
15SP	00NR		3 TO->FROM	G15_031_115	KRESS INTERCHANGE - SWISHER COUNTY INTERCHANGE 115KV CKT 1	213.9	0.47588	138.0851	BASE CASE
25SP	00NR		3 TO->FROM	G15_031_115	KRESS INTERCHANGE - SWISHER COUNTY INTERCHANGE 115KV CKT 1	229.1	0.40569	137.6722	KRESS INTERCHANGE - NEWHART 115KV CKT 1
15SP	00NR		3 TO->FROM	G15_031_115	KRESS INTERCHANGE - SWISHER COUNTY INTERCHANGE 115KV CKT 1	235.2	0.6018	137.3895	SWISHER COUNTY INTERCHANGE (UPDATE LATER) 230/115/13.2KV TRANSFORMER CKT 1
15SP	00NR		3 TO->FROM	G15_031_115	KRESS INTERCHANGE - SWISHER COUNTY INTERCHANGE 115KV CKT 1	235.2	0.6018	137.3044	SWISHER COUNTY INTERCHANGE (SWISHER2) 230/115/13.2KV TRANSFORMER CKT 1
20SP	00NR		3 TO->FROM	G15_031_115	KRESS INTERCHANGE - SWISHER COUNTY INTERCHANGE 115KV CKT 1	232.4	0.50416	135.4337	AMARILLO SOUTH INTERCHANGE - SWISHER COUNTY INTERCHANGE 230KV CKT 1
20SP	00NR		3 TO->FROM	G15_031_115	KRESS INTERCHANGE - SWISHER COUNTY INTERCHANGE 115KV CKT 1	232.4	0.4754	134.9053	TUCO INTERCHANGE (GE M102345) 230/115/13.2KV TRANSFORMER CKT 1
20SP	00NR		3 TO->FROM	G15_031_115	KRESS INTERCHANGE - SWISHER COUNTY INTERCHANGE 115KV CKT 1	232.4	0.47549	134.6588	TUCO INTERCHANGE (ENRCO 136401) 230/115/13.2KV TRANSFORMER CKT 2
20SP	00NR		3 TO->FROM	G15_031_115	KRESS INTERCHANGE - SWISHER COUNTY INTERCHANGE 115KV CKT 1	232.4	0.47233	134.0787	FLOYD COUNTY INTERCHANGE - TUCO INTERCHANGE 115KV CKT 1
20SP	00NR		3 TO->FROM	G15_031_115	KRESS INTERCHANGE - SWISHER COUNTY INTERCHANGE 115KV CKT 1	232.4	0.47332	134.0775	PLANT X STATION (WH ALM20171) 230/115/13.2KV TRANSFORMER CKT 1
20SP	00NR		3 TO->FROM	G15_031_115	KRESS INTERCHANGE - SWISHER COUNTY INTERCHANGE 115KV CKT 1	232.4	0.47239	133.6562	NEWHART 230 (UPDATE LATER) 230/115/13.2KV TRANSFORMER CKT 2
20SP	00NR		3 TO->FROM	G15_031_115	KRESS INTERCHANGE - SWISHER COUNTY INTERCHANGE 115KV CKT 1	232.4	0.47239	133.6562	NEWHART 230 (WAIK WT01105) 230/115/13.2KV TRANSFORMER CKT 1
20SP	00NR		3 TO->FROM	G15_031_115	KRESS INTERCHANGE - SWISHER COUNTY INTERCHANGE 115KV CKT 1	232.4	0.47699	133.4324	AMARILLO SOUTH INTERCHANGE (ABB 801466) 230/115/13.2KV TRANSFORMER CKT 1
15SP	00NR		3 TO->FROM	G15_031_115	KRESS INTERCHANGE - SWISHER COUNTY INTERCHANGE 115KV CKT 1	235.2	0.50273	133.3414	AMARILLO SOUTH INTERCHANGE - SWISHER COUNTY INTERCHANGE 230KV CKT 1
20SP	00NR		3 TO->FROM	G15_031_115	KRESS INTERCHANGE - SWISHER COUNTY INTERCHANGE 115KV CKT 1	232.4	0.46967	133.2621	HALE CO INTERCHANGE - PLANT X STATION 115KV CKT 1
20SP	00NR		3 TO->FROM	G15_031_115	KRESS INTERCHANGE - SWISHER COUNTY INTERCHANGE 115KV CKT 1	232.4	0.47563	133.1708	RANDALL COUNTY INTERCHANGE (GE M100353) 230/115/13.2KV TRANSFORMER CKT 1
20SP	00NR		3 TO->FROM	G15_031_115	KRESS INTERCHANGE - SWISHER COUNTY INTERCHANGE 115KV CKT 1	232.4	0.47359	133.1227	CROSBY COUNTY INTERCHANGE - LUBBOCK EAST INTERCHANGE 115KV CKT 1
20SP	00NR		3 TO->FROM	G15_031_115	KRESS INTERCHANGE - SWISHER COUNTY INTERCHANGE 115KV CKT 1	232.4	0.47618	133.1127	DEAF SMITH COUNTY INTERCHANGE - G14-068T 230.00 230KV CKT 1
20SP	00NR		3 TO->FROM	G15_031_115	KRESS INTERCHANGE - SWISHER COUNTY INTERCHANGE 115KV CKT 1	232.4	0.47575	133.0572	SPP-SWPS-K19
20SP	00NR		3 TO->FROM	G15_031_115	KRESS INTERCHANGE - SWISHER COUNTY INTERCHANGE 115KV CKT 1	232.4	0.47573	132.8825	RANDALL COUNTY INTERCHANGE (WAIK WT01090) 230/115/13.2KV TRANSFORMER CKT 2
15SP	00NR		3 TO->FROM	G15_031_115	KRESS INTERCHANGE - SWISHER COUNTY INTERCHANGE 115KV CKT 1	235.2	0.4713	129.5025	PLANT X STATION (WH ALM20171) 230/115/13.2KV TRANSFORMER CKT 1
20SP	00NR		3 TO->FROM	G15_031_115	KRESS INTERCHANGE - SWISHER COUNTY INTERCHANGE 115KV CKT 1	232.4	0.4059	128.6015	KRESS INTERCHANGE - NEWHART 115KV CKT 1
15SP	00NR		3 TO->FROM	G15_031_115	KRESS INTERCHANGE - SWISHER COUNTY INTERCHANGE 115KV CKT 1	235.2	0.47458	128.3055	TUCO INTERCHANGE (GE M102345) 230/115/13.2KV TRANSFORMER CKT 1
15SP	00NR		3 TO->FROM	G15_031_115	KRESS INTERCHANGE - SWISHER COUNTY INTERCHANGE 115KV CKT 1	235.2	0.47467	128.1042	TUCO INTERCHANGE (ENRCO 136401) 230/115/13.2KV TRANSFORMER CKT 2
15SP	00NR		3 TO->FROM	G15_031_115	KRESS INTERCHANGE - SWISHER COUNTY INTERCHANGE 115KV CKT 1	235.2	0.47108	127.7738	FLOYD COUNTY INTERCHANGE - TUCO INTERCHANGE 115KV CKT 1
15SP	00NR		3 TO->FROM	G15_031_115	KRESS INTERCHANGE - SWISHER COUNTY INTERCHANGE 115KV CKT 1	235.2	0.47522	127.2815	DEAF SMITH COUNTY INTERCHANGE - G14-068T 230.00 230KV CKT 1
15SP	00NR		3 TO->FROM	G15_031_115	KRESS INTERCHANGE - SWISHER COUNTY INTERCHANGE 115KV CKT 1	235.2	0.4761	127.2236	AMARILLO SOUTH INTERCHANGE (ABB 801466) 230/115/13.2KV TRANSFORMER CKT 1
15SP	00NR		3 TO->FROM	G15_031_115	KRESS INTERCHANGE - SWISHER COUNTY INTERCHANGE 115KV CKT 1	235.2	0.47134	127.2117	NEWHART 230 (UPDATE LATER) 230/115/13.2KV TRANSFORMER CKT 2
15SP	00NR		3 TO->FROM	G15_031_115	KRESS INTERCHANGE - SWISHER COUNTY INTERCHANGE 115KV CKT 1	235.2	0.47134	127.2117	NEWHART 230 (WAIK WT01105) 230/115/13.2KV TRANSFORMER CKT 1
15SP	00NR		3 TO->FROM	G15_031_115	KRESS INTERCHANGE - SWISHER COUNTY INTERCHANGE 115KV CKT 1	235.2	0.469	127.0833	HALE CO INTERCHANGE - PLANT X STATION 115KV CKT 1
15SP	00NR		3 TO->FROM	G15_031_115	KRESS INTERCHANGE - SWISHER COUNTY INTERCHANGE 115KV CKT 1	235.2	0.47576	127.0102	G14-074T 345.00 - OKLAUNION 345KV CKT 1
15SP	00NR		3 TO->FROM	G15_031_115	KRESS INTERCHANGE - SWISHER COUNTY INTERCHANGE 115KV CKT 1	235.2	0.47285	126.9792	CROSBY COUNTY INTERCHANGE - LUBBOCK EAST INTERCHANGE 115KV CKT 1
15SP	00NR		3 TO->FROM	G15_031_115	KRESS INTERCHANGE - SWISHER COUNTY INTERCHANGE 115KV CKT 1	235.2	0.47474	126.7951	RANDALL COUNTY INTERCHANGE (GE M100353) 230/115/13.2KV TRANSFORMER CKT 1
15SP	00NR		3 TO->FROM	G15_031_115	KRESS INTERCHANGE - SWISHER COUNTY INTERCHANGE 115KV CKT 1	235.2	0.47486	126.7679	SPP-SWPS-K19
15SP	00NR		3 TO->FROM	G15_031_115	KRESS INTERCHANGE - SWISHER COUNTY INTERCHANGE 115KV CKT 1	235.2	0.40478	123.1437	KRESS INTERCHANGE - NEWHART 115KV CKT 1
15G	06NR		3 TO->FROM	G15_031_115	KRESS INTERCHANGE - SWISHER COUNTY INTERCHANGE 115KV CKT 1	237.3	0.59546	121.6342	SWISHER COUNTY INTERCHANGE (UPDATE LATER) 230/115/13.2KV TRANSFORMER CKT 1
15G	06NR		3 TO->FROM	G15_031_115	KRESS INTERCHANGE - SWISHER COUNTY INTERCHANGE 115KV CKT 1	237.3	0.59546	121.4657	SWISHER COUNTY INTERCHANGE (SWISHER2) 230/115/13.2KV TRANSFORMER CKT 1
15G	06NR		3 TO->FROM	G15_031_115	KRESS INTERCHANGE - SWISHER COUNTY INTERCHANGE 115KV CKT 1	237.3	0.50106	117.7067	AMARILLO SOUTH INTERCHANGE - SWISHER COUNTY INTERCHANGE 230KV CKT 1
15G	06NR		3 TO->FROM	G15_031_115	KRESS INTERCHANGE - SWISHER COUNTY INTERCHANGE 115KV CKT 1	216.2	0.47068	116.0055	BASE CASE
25SP	06ALL		3 TO->FROM	G15_031_115	KRESS INTERCHANGE - SWISHER COUNTY INTERCHANGE 115KV CKT 1	228.2	0.59828	115.149	SWISHER COUNTY INTERCHANGE (UPDATE LATER) 230/115/13.2KV TRANSFORMER CKT 1
25SP	06ALL		3 TO->FROM	G15_031_115	KRESS INTERCHANGE - SWISHER COUNTY INTERCHANGE 115KV CKT 1	228.2	0.59828	115.1052	SWISHER COUNTY INTERCHANGE (SWISHER2) 230/115/13.2KV TRANSFORMER CKT 1
15G	06NR		3 TO->FROM	G15_031_115	KRESS INTERCHANGE - SWISHER COUNTY INTERCHANGE 115KV CKT 1	237.3	0.5334	112.145	SWISHER COUNTY INTERCHANGE - TUCO_2 230.00 230KV CKT 1
15G	06NR		3 TO->FROM	G15_031_115	KRESS INTERCHANGE - SWISHER COUNTY INTERCHANGE 115KV CKT 1	237.3	0.4647	109.5702	PLANT X STATION (WH ALM20171) 230/115/13.2KV TRANSFORMER CKT 1
15G	06NR		3 TO->FROM	G15_031_115	KRESS INTERCHANGE - SWISHER COUNTY INTERCHANGE 115KV CKT 1	237.3	0.47556	109.2153	NEWHART 230 - POTTER COUNTY INTERCHANGE 230KV CKT 1

SEASON	GROUP	SCENARIO	DIRECTION	SOURCE	MONITORED ELEMENT	RATE (MVA)	CONTINGENCY		CONTINGENCY
							TDF	LOADING %	
20SP	06ALL	3	TO->FROM	G15_031_115	KRESS INTERCHANGE - SWISHER COUNTY INTERCHANGE 115KV CKT 1	231.3	0.59824	108.4073	SWISHER COUNTY INTERCHANGE (SWISHER2) 230/115/13.2KV TRANSFORMER CKT 1
20SP	06ALL	3	TO->FROM	G15_031_115	KRESS INTERCHANGE - SWISHER COUNTY INTERCHANGE 115KV CKT 1	231.3	0.59824	108.4073	SWISHER COUNTY INTERCHANGE (UPDATE LATER) 230/115/13.2KV TRANSFORMER CKT 1
15G	06NR	3	TO->FROM	G15_031_115	KRESS INTERCHANGE - SWISHER COUNTY INTERCHANGE 115KV CKT 1	237.3	0.47064	108.2562	G14-074T 345.00 - OKLAUNION 345KV CKT 1
25SP	06ALL	3	TO->FROM	G15_031_115	KRESS INTERCHANGE - SWISHER COUNTY INTERCHANGE 115KV CKT 1	228.2	0.50688	108.2095	AMARILLO SOUTH INTERCHANGE - SWISHER COUNTY INTERCHANGE 230KV CKT 1
15G	06NR	3	TO->FROM	G15_031_115	KRESS INTERCHANGE - SWISHER COUNTY INTERCHANGE 115KV CKT 1	237.3	0.47068	107.9241	G11_025_1 115.00 115/34.5KV TRANSFORMER CKT 1
15G	06NR	3	TO->FROM	G15_031_115	KRESS INTERCHANGE - SWISHER COUNTY INTERCHANGE 115KV CKT 1	237.3	0.47068	107.9241	G11_025_2 34.500 34.5/0.69KV TRANSFORMER CKT 1
15G	06NR	3	TO->FROM	G15_031_115	KRESS INTERCHANGE - SWISHER COUNTY INTERCHANGE 115KV CKT 1	237.3	0.47068	107.9241	G11_025T 115.00 - G11_025_1 115.00 115KV CKT 1
15G	06NR	3	TO->FROM	G15_031_115	KRESS INTERCHANGE - SWISHER COUNTY INTERCHANGE 115KV CKT 1	237.3	0.46761	107.7467	FLOYD COUNTY INTERCHANGE - G11_025T 115.00 115KV CKT 1
15G	06NR	3	TO->FROM	G15_031_115	KRESS INTERCHANGE - SWISHER COUNTY INTERCHANGE 115KV CKT 1	237.3	0.47064	107.6241	G14-074T 345.00 - TUCO INTERCHANGE 345KV CKT 1
15G	06NR	3	TO->FROM	G15_031_115	KRESS INTERCHANGE - SWISHER COUNTY INTERCHANGE 115KV CKT 1	237.3	0.47004	107.464	DEAF SMITH COUNTY INTERCHANGE - G14-068T 230.00 230KV CKT 1
15G	06NR	3	TO->FROM	G15_031_115	KRESS INTERCHANGE - SWISHER COUNTY INTERCHANGE 115KV CKT 1	237.3	0.47068	107.292	CASTRO COUNTY INTERCHANGE - G14_040_1 115.00 115KV CKT 1
15G	06NR	3	TO->FROM	G15_031_115	KRESS INTERCHANGE - SWISHER COUNTY INTERCHANGE 115KV CKT 1	237.3	0.47068	107.292	G14_040_2 34.500 34.5/0.69KV TRANSFORMER CKT 1
15G	06NR	3	TO->FROM	G15_031_115	KRESS INTERCHANGE - SWISHER COUNTY INTERCHANGE 115KV CKT 1	237.3	0.47068	107.2107	TOLK STATION EAST 230/24.0KV TRANSFORMER CKT 1
15G	06NR	3	TO->FROM	G15_031_115	KRESS INTERCHANGE - SWISHER COUNTY INTERCHANGE 115KV CKT 1	237.3	0.46419	107.0194	HALE CO INTERCHANGE - PLANT X STATION 115KV CKT 1
15G	06NR	3	TO->FROM	G15_031_115	KRESS INTERCHANGE - SWISHER COUNTY INTERCHANGE 115KV CKT 1	237.3	0.45073	107.0034	NEWHART 230 (WAUK WT01105) 230/115/13.2KV TRANSFORMER CKT 1
20WP	00NR	3	TO->FROM	G15_031_115	KRESS INTERCHANGE - SWISHER COUNTY INTERCHANGE 115KV CKT 1	265	0.60191	105.4238	SWISHER COUNTY INTERCHANGE (UPDATE LATER) 230/115/13.2KV TRANSFORMER CKT 1
25SP	06ALL	3	TO->FROM	G15_031_115	KRESS INTERCHANGE - SWISHER COUNTY INTERCHANGE 115KV CKT 1	206.1	0.4712	104.8937	BASE CASE
20WP	00NR	3	TO->FROM	G15_031_115	KRESS INTERCHANGE - SWISHER COUNTY INTERCHANGE 115KV CKT 1	265	0.60191	104.7823	SWISHER COUNTY INTERCHANGE (SWISHER2) 230/115/13.2KV TRANSFORMER CKT 1
15WP	00NR	3	TO->FROM	G15_031_115	KRESS INTERCHANGE - SWISHER COUNTY INTERCHANGE 115KV CKT 1	265	0.60145	104.4283	SWISHER COUNTY INTERCHANGE (UPDATE LATER) 230/115/13.2KV TRANSFORMER CKT 1
15WP	00NR	3	TO->FROM	G15_031_115	KRESS INTERCHANGE - SWISHER COUNTY INTERCHANGE 115KV CKT 1	265	0.60145	103.7868	SWISHER COUNTY INTERCHANGE (SWISHER2) 230/115/13.2KV TRANSFORMER CKT 1
20SP	06ALL	3	TO->FROM	G15_031_115	KRESS INTERCHANGE - SWISHER COUNTY INTERCHANGE 115KV CKT 1	231.3	0.50666	102.5084	AMARILLO SOUTH INTERCHANGE - SWISHER COUNTY INTERCHANGE 230KV CKT 1
15SP	06ALL	3	TO->FROM	G15_031_115	KRESS INTERCHANGE - SWISHER COUNTY INTERCHANGE 115KV CKT 1	234.5	0.59808	102.4495	SWISHER COUNTY INTERCHANGE (SWISHER2) 230/115/13.2KV TRANSFORMER CKT 1
15SP	06ALL	3	TO->FROM	G15_031_115	KRESS INTERCHANGE - SWISHER COUNTY INTERCHANGE 115KV CKT 1	234.5	0.59808	102.4495	SWISHER COUNTY INTERCHANGE (UPDATE LATER) 230/115/13.2KV TRANSFORMER CKT 1
25SP	06ALL	3	TO->FROM	G15_031_115	KRESS INTERCHANGE - SWISHER COUNTY INTERCHANGE 115KV CKT 1	228.2	0.5327	101.1218	SWISHER COUNTY INTERCHANGE - TUCO_2 230.00 230KV CKT 1
25SP	00NR	4	FROM->TO	G15_031_115	EDDY_NORTH 6230.00 (WAUK WT01134) 230/115/13.2KV TRANSFORMER CKT 2	285.3	0.0318	103.5191	EDDY COUNTY INTERCHANGE - EDDY_NORTH 6230.00 230KV CKT @1
25SP	00NR	4	FROM->TO	G15_031_115	EDDY_NORTH 6230.00 (WAUK WT01134) 230/115/13.2KV TRANSFORMER CKT 2	286.5	0.0318	103.0157	EDDY COUNTY INTERCHANGE - EDDY_NORTH 6230.00 230KV CKT @1
20WP	06ALL	0	TO->FROM	G15_032_115	CIMARRON - MINCO 345KV CKT 1	955.9	0.21443	110.64	G14-057T 345.00 - SUNNYSIDE 345KV CKT 1
15G	06ALL	0	TO->FROM	G15_032_115	CIMARRON - MINCO 345KV CKT 1	953.6	0.21891	110.0162	G14-057T 345.00 - SUNNYSIDE 345KV CKT 1
20WP	06ALL	0	TO->FROM	G15_032_115	CIMARRON - MINCO 345KV CKT 1	955.9	0.21443	108.3804	G14-057T 345.00 - LAWTON EASTSIDE 345KV CKT 1
15G	06ALL	0	TO->FROM	G15_032_115	CIMARRON - MINCO 345KV CKT 1	953.6	0.21891	107.772	G14-057T 345.00 - LAWTON EASTSIDE 345KV CKT 1
15WP	06ALL	0	TO->FROM	G15_032_115	CIMARRON - MINCO 345KV CKT 1	955.8	0.22514	106.646	G14-057T 345.00 - SUNNYSIDE 345KV CKT 1
15WP	06ALL	0	TO->FROM	G15_032_115	CIMARRON - MINCO 345KV CKT 1	955.8	0.22514	104.4175	G14-057T 345.00 - LAWTON EASTSIDE 345KV CKT 1
15SP	06ALL	0	TO->FROM	G15_032_115	CIMARRON - MINCO 345KV CKT 1	955.4	0.22168	102.8105	G14-057T 345.00 - SUNNYSIDE 345KV CKT 1
15SP	06ALL	0	TO->FROM	G15_032_115	CIMARRON - MINCO 345KV CKT 1	955.4	0.22168	100.5078	G14-057T 345.00 - LAWTON EASTSIDE 345KV CKT 1
25SP	00NR	0	FROM->TO	G15_032_115	EDDY_NORTH 6230.00 (WAUK WT01134) 230/115/13.2KV TRANSFORMER CKT 2	285.3	0.03321	103.7375	EDDY COUNTY INTERCHANGE - EDDY_NORTH 6230.00 230KV CKT @1
25SP	00NR	0	FROM->TO	G15_032_115	EDDY_NORTH 6230.00 (WAUK WT01134) 230/115/13.2KV TRANSFORMER CKT 2	286.5	0.03321	103.1983	EDDY COUNTY INTERCHANGE - EDDY_NORTH 6230.00 230KV CKT @1
15G	06ALL	0	TO->FROM	G15_032_115	HALE CO INTERCHANGE - KRESS INTERCHANGE 115KV CKT 1	153.9	0.24833	107.0488	SWISHER COUNTY INTERCHANGE (GE M101686) 230/115/13.2KV TRANSFORMER CKT 1
25SP	06ALL	0	TO->FROM	G15_032_115	HALE CO INTERCHANGE - KRESS INTERCHANGE 115KV CKT 1	153.6	0.24286	101.7422	SWISHER COUNTY INTERCHANGE (UPDATE LATER) 230/115/13.2KV TRANSFORMER CKT 1
15G	06ALL	0	FROM->TO	G15_032_115	HAPPY INTERCHANGE - PALO DURO SUB 115KV CKT 1	250.9	1	107.6923	KRESS INTERCHANGE - TULIA TAP 115KV CKT 1
15G	06NR	0	FROM->TO	G15_032_115	HAPPY INTERCHANGE - PALO DURO SUB 115KV CKT 1	251	1	107.6892	KRESS INTERCHANGE - TULIA TAP 115KV CKT 1
15SP	00NR	0	FROM->TO	G15_032_115	HAPPY INTERCHANGE - PALO DURO SUB 115KV CKT 1	250.9	1	101.1558	KRESS INTERCHANGE - TULIA TAP 115KV CKT 1
15SP	06ALL	0	FROM->TO	G15_032_115	HAPPY INTERCHANGE - PALO DURO SUB 115KV CKT 1	250.8	1	101.0766	KRESS INTERCHANGE - TULIA TAP 115KV CKT 1
15WP	00NR	0	FROM->TO	G15_032_115	HAPPY INTERCHANGE - PALO DURO SUB 115KV CKT 1	278	1	100.5396	KRESS INTERCHANGE - TULIA TAP 115KV CKT 1
15WP	06ALL	0	FROM->TO	G15_032_115	HAPPY INTERCHANGE - PALO DURO SUB 115KV CKT 1	277.9	1	100.4678	KRESS INTERCHANGE - TULIA TAP 115KV CKT 1
20WP	06ALL	0	FROM->TO	G15_032_115	HAPPY INTERCHANGE - PALO DURO SUB 115KV CKT 1	278	1	100.1798	KRESS INTERCHANGE - TULIA TAP 115KV CKT 1
20WP	06ALL	0	FROM->TO	G15_032_115	HAPPY INTERCHANGE - PALO DURO SUB 115KV CKT 1	278	1	100.0719	KRESS INTERCHANGE - TULIA TAP 115KV CKT 1
15G	06NR	0	TO->FROM	G15_032_115	HAPPY INTERCHANGE - TULIA TAP 115KV CKT 1	250.9	1	117.776	KRESS INTERCHANGE - TULIA TAP 115KV CKT 1
15G	06ALL	0	TO->FROM	G15_032_115	HAPPY INTERCHANGE - TULIA TAP 115KV CKT 1	251	1	117.7291	KRESS INTERCHANGE - TULIA TAP 115KV CKT 1
25SP	00NR	0	TO->FROM	G15_032_115	HAPPY INTERCHANGE - TULIA TAP 115KV CKT 1	250.5	1	116.7665	KRESS INTERCHANGE - TULIA TAP 115KV CKT 1
25SP	06ALL	0	TO->FROM	G15_032_115	HAPPY INTERCHANGE - TULIA TAP 115KV CKT 1	250.9	1	116.5803	KRESS INTERCHANGE - TULIA TAP 115KV CKT 1
20SP	00NR	0	TO->FROM	G15_032_115	HAPPY INTERCHANGE - TULIA TAP 115KV CKT 1	250.8	1	116.4274	KRESS INTERCHANGE - TULIA TAP 115KV CKT 1
20SP	06ALL	0	TO->FROM	G15_032_115	HAPPY INTERCHANGE - TULIA TAP 115KV CKT 1	250.9	1	116.381	KRESS INTERCHANGE - TULIA TAP 115KV CKT 1
15SP	00NR	0	TO->FROM	G15_032_115	HAPPY INTERCHANGE - TULIA TAP 115KV CKT 1	250.9	1	116.1817	KRESS INTERCHANGE - TULIA TAP 115KV CKT 1
15SP	06ALL	0	TO->FROM	G15_032_115	HAPPY INTERCHANGE - TULIA TAP 115KV CKT 1	251	1	116.1355	KRESS INTERCHANGE - TULIA TAP 115KV CKT 1
20WP	00NR	0	TO->FROM	G15_032_115	HAPPY INTERCHANGE - TULIA TAP 115KV CKT 1	278	1	106.1871	KRESS INTERCHANGE - TULIA TAP 115KV CKT 1
20WP	06ALL	0	TO->FROM	G15_032_115	HAPPY INTERCHANGE - TULIA TAP 115KV CKT 1	278	1	106.1871	KRESS INTERCHANGE - TULIA TAP 115KV CKT 1
15WP	00NR	0	TO->FROM	G15_032_115	HAPPY INTERCHANGE - TULIA TAP 115KV CKT 1	278	1	106.1511	KRESS INTERCHANGE - TULIA TAP 115KV CKT 1
15WP	06ALL	0	TO->FROM	G15_032_115	HAPPY INTERCHANGE - TULIA TAP 115KV CKT 1	278	1	106.1511	KRESS INTERCHANGE - TULIA TAP 115KV CKT 1
15G	06ALL	0	FROM->TO	G15_032_115	KRESS INTERCHANGE - NEWHART 115KV CKT 1	174.7	0.28819	107.1265	SWISHER COUNTY INTERCHANGE (GE M101686) 230/115/13.2KV TRANSFORMER CKT 1
15WP	06ALL	0	FROM->TO	G15_032_115	KRESS INTERCHANGE - NEWHART 115KV CKT 1	193.9	0.30365	106.4817	SWISHER COUNTY INTERCHANGE (UPDATE LATER) 230/115/13.2KV TRANSFORMER CKT 1
20WP	06ALL	0	FROM->TO	G15_032_115	KRESS INTERCHANGE - NEWHART 115KV CKT 1	194	0.30369	105.3598	SWISHER COUNTY INTERCHANGE (UPDATE LATER) 230/115/13.2KV TRANSFORMER CKT 1
15G	06ALL	0	TO->FROM	G15_032_115	KRESS INTERCHANGE - TULIA TAP 115KV CKT 1	250.9	1	117.776	HAPPY INTERCHANGE - TULIA TAP 115KV CKT 1
15G	06NR	0	TO->FROM	G15_032_115	KRESS INTERCHANGE - TULIA TAP 115KV CKT 1	250.9	1	117.776	HAPPY INTERCHANGE - TULIA TAP 115KV CKT 1
25SP	00NR	0	TO->FROM	G15_032_115	KRESS INTERCHANGE - TULIA TAP 115KV CKT 1	250.2	1	116.9065	HAPPY INTERCHANGE - TULIA TAP 115KV CKT 1
25SP	06ALL	0	TO->FROM	G15_032_115	KRESS INTERCHANGE - TULIA TAP 115KV CKT 1	250.8	1	116.6268	HAPPY INTERCHANGE - TULIA TAP 115KV CKT 1

SEASON	GROUP	SCENARIO	DIRECTION	SOURCE	MONITORED ELEMENT	RATE	CONTINGENCY		
						(MVA)	TDF	LOADING %	CONTINGENCY
20SP	00NR	0	TO->FROM	G15_032_115	KRESS INTERCHANGE - TULIA TAP 115KV CKT 1	250.7	1	116.4739	HAPPY INTERCHANGE - TULIA TAP 115KV CKT 1
20SP	06ALL	0	TO->FROM	G15_032_115	KRESS INTERCHANGE - TULIA TAP 115KV CKT 1	250.8	1	116.4274	HAPPY INTERCHANGE - TULIA TAP 115KV CKT 1
15SP	00NR	0	TO->FROM	G15_032_115	KRESS INTERCHANGE - TULIA TAP 115KV CKT 1	250.8	1	116.2281	HAPPY INTERCHANGE - TULIA TAP 115KV CKT 1
15SP	06ALL	0	TO->FROM	G15_032_115	KRESS INTERCHANGE - TULIA TAP 115KV CKT 1	250.9	1	116.1817	HAPPY INTERCHANGE - TULIA TAP 115KV CKT 1
15G	06NR	0	TO->FROM	G15_032_115	KRESS INTERCHANGE - TULIA TAP 115KV CKT 1	250.9	1	107.7322	HAPPY INTERCHANGE - PALO DURO SUB 115KV CKT 1
15G	06NR	0	TO->FROM	G15_032_115	KRESS INTERCHANGE - TULIA TAP 115KV CKT 1	250.9	1	107.7322	SPP-SWPS-T66
15G	06ALL	0	TO->FROM	G15_032_115	KRESS INTERCHANGE - TULIA TAP 115KV CKT 1	250.9	1	107.6923	HAPPY INTERCHANGE - PALO DURO SUB 115KV CKT 1
15G	06ALL	0	TO->FROM	G15_032_115	KRESS INTERCHANGE - TULIA TAP 115KV CKT 1	250.9	1	107.6923	SPP-SWPS-T66
15G	06NR	0	TO->FROM	G15_032_115	KRESS INTERCHANGE - TULIA TAP 115KV CKT 1	250.9	1	107.1343	PALO DURO SUB - RANDALL COUNTY INTERCHANGE 115KV CKT 1
15G	06ALL	0	TO->FROM	G15_032_115	KRESS INTERCHANGE - TULIA TAP 115KV CKT 1	250.9	1	107.0945	PALO DURO SUB - RANDALL COUNTY INTERCHANGE 115KV CKT 1
20WP	00NR	0	TO->FROM	G15_032_115	KRESS INTERCHANGE - TULIA TAP 115KV CKT 1	278	1	106.1871	HAPPY INTERCHANGE - TULIA TAP 115KV CKT 1
20WP	06ALL	0	TO->FROM	G15_032_115	KRESS INTERCHANGE - TULIA TAP 115KV CKT 1	278	1	106.1871	HAPPY INTERCHANGE - TULIA TAP 115KV CKT 1
15WP	00NR	0	TO->FROM	G15_032_115	KRESS INTERCHANGE - TULIA TAP 115KV CKT 1	278	1	106.1511	HAPPY INTERCHANGE - TULIA TAP 115KV CKT 1
15WP	06ALL	0	TO->FROM	G15_032_115	KRESS INTERCHANGE - TULIA TAP 115KV CKT 1	278	1	106.1511	HAPPY INTERCHANGE - TULIA TAP 115KV CKT 1
15SP	00NR	0	TO->FROM	G15_032_115	KRESS INTERCHANGE - TULIA TAP 115KV CKT 1	250.8	1	101.1962	HAPPY INTERCHANGE - PALO DURO SUB 115KV CKT 1
15SP	00NR	0	TO->FROM	G15_032_115	KRESS INTERCHANGE - TULIA TAP 115KV CKT 1	250.8	1	101.1962	SPP-SWPS-T66
15SP	06ALL	0	TO->FROM	G15_032_115	KRESS INTERCHANGE - TULIA TAP 115KV CKT 1	250.9	1	101.0363	HAPPY INTERCHANGE - PALO DURO SUB 115KV CKT 1
15SP	06ALL	0	TO->FROM	G15_032_115	KRESS INTERCHANGE - TULIA TAP 115KV CKT 1	250.9	1	101.0363	SPP-SWPS-T66
15WP	00NR	0	TO->FROM	G15_032_115	KRESS INTERCHANGE - TULIA TAP 115KV CKT 1	278	1	100.5396	HAPPY INTERCHANGE - PALO DURO SUB 115KV CKT 1
15WP	00NR	0	TO->FROM	G15_032_115	KRESS INTERCHANGE - TULIA TAP 115KV CKT 1	278	1	100.5396	SPP-SWPS-T66
15WP	06ALL	0	TO->FROM	G15_032_115	KRESS INTERCHANGE - TULIA TAP 115KV CKT 1	278	1	100.4317	HAPPY INTERCHANGE - PALO DURO SUB 115KV CKT 1
15WP	06ALL	0	TO->FROM	G15_032_115	KRESS INTERCHANGE - TULIA TAP 115KV CKT 1	278	1	100.4317	SPP-SWPS-T66
15SP	00NR	0	TO->FROM	G15_032_115	KRESS INTERCHANGE - TULIA TAP 115KV CKT 1	250.8	1	100.3987	PALO DURO SUB - RANDALL COUNTY INTERCHANGE 115KV CKT 1
20WP	00NR	0	TO->FROM	G15_032_115	KRESS INTERCHANGE - TULIA TAP 115KV CKT 1	278	1	100.1798	HAPPY INTERCHANGE - PALO DURO SUB 115KV CKT 1
20WP	00NR	0	TO->FROM	G15_032_115	KRESS INTERCHANGE - TULIA TAP 115KV CKT 1	278	1	100.1798	SPP-SWPS-T66
15SP	06ALL	0	TO->FROM	G15_032_115	KRESS INTERCHANGE - TULIA TAP 115KV CKT 1	250.9	1	100.1594	PALO DURO SUB - RANDALL COUNTY INTERCHANGE 115KV CKT 1
20WP	06ALL	0	TO->FROM	G15_032_115	KRESS INTERCHANGE - TULIA TAP 115KV CKT 1	278	1	100.0719	HAPPY INTERCHANGE - PALO DURO SUB 115KV CKT 1
20WP	06ALL	0	TO->FROM	G15_032_115	KRESS INTERCHANGE - TULIA TAP 115KV CKT 1	278	1	100.0719	SPP-SWPS-T66
15G	06ALL	0	FROM->TO	G15_032_115	PALO DURO SUB - RANDALL COUNTY INTERCHANGE 115KV CKT 1	250.9	1	107.0945	KRESS INTERCHANGE - TULIA TAP 115KV CKT 1
15G	06NR	0	FROM->TO	G15_032_115	PALO DURO SUB - RANDALL COUNTY INTERCHANGE 115KV CKT 1	251	1	107.0916	KRESS INTERCHANGE - TULIA TAP 115KV CKT 1
15SP	00NR	0	FROM->TO	G15_032_115	PALO DURO SUB - RANDALL COUNTY INTERCHANGE 115KV CKT 1	250.9	1	100.3587	KRESS INTERCHANGE - TULIA TAP 115KV CKT 1
15SP	06ALL	0	FROM->TO	G15_032_115	PALO DURO SUB - RANDALL COUNTY INTERCHANGE 115KV CKT 1	250.7	1	100.2393	KRESS INTERCHANGE - TULIA TAP 115KV CKT 1
15G	06ALL	0	FROM->TO	G15_032_115	SWISHER COUNTY INTERCHANGE (GE M101686) 230/115/13.2KV TRANSFORMER CKT 1	145.8	0.40283	208.6036	HAPPY INTERCHANGE - TULIA TAP 115KV CKT 1
15G	06ALL	0	FROM->TO	G15_032_115	SWISHER COUNTY INTERCHANGE (GE M101686) 230/115/13.2KV TRANSFORMER CKT 1	146.1	0.40283	208.2437	HAPPY INTERCHANGE - TULIA TAP 115KV CKT 1
15G	06ALL	0	FROM->TO	G15_032_115	SWISHER COUNTY INTERCHANGE (GE M101686) 230/115/13.2KV TRANSFORMER CKT 1	145.8	0.40283	201.4019	HAPPY INTERCHANGE - PALO DURO SUB 115KV CKT 1
15G	06ALL	0	FROM->TO	G15_032_115	SWISHER COUNTY INTERCHANGE (GE M101686) 230/115/13.2KV TRANSFORMER CKT 1	145.8	0.40283	201.3333	SPP-SWPS-T66
15G	06ALL	0	FROM->TO	G15_032_115	SWISHER COUNTY INTERCHANGE (GE M101686) 230/115/13.2KV TRANSFORMER CKT 1	146.1	0.40283	200.9884	HAPPY INTERCHANGE - PALO DURO SUB 115KV CKT 1
15G	06ALL	0	FROM->TO	G15_032_115	SWISHER COUNTY INTERCHANGE (GE M101686) 230/115/13.2KV TRANSFORMER CKT 1	146.1	0.40283	200.9884	SPP-SWPS-T66
15G	06ALL	0	FROM->TO	G15_032_115	SWISHER COUNTY INTERCHANGE (GE M101686) 230/115/13.2KV TRANSFORMER CKT 1	145.8	0.40283	200.9218	PALO DURO SUB - RANDALL COUNTY INTERCHANGE 115KV CKT 1
15G	06ALL	0	FROM->TO	G15_032_115	SWISHER COUNTY INTERCHANGE (GE M101686) 230/115/13.2KV TRANSFORMER CKT 1	146.1	0.40283	200.5777	PALO DURO SUB - RANDALL COUNTY INTERCHANGE 115KV CKT 1
15G	06ALL	0	FROM->TO	G15_032_115	SWISHER COUNTY INTERCHANGE (GE M101686) 230/115/13.2KV TRANSFORMER CKT 1	145.8	0.36578	189.631	KRESS INTERCHANGE - NEWHART 115KV CKT 1
15G	06ALL	0	FROM->TO	G15_032_115	SWISHER COUNTY INTERCHANGE (GE M101686) 230/115/13.2KV TRANSFORMER CKT 1	146.1	0.36578	189.2416	KRESS INTERCHANGE - NEWHART 115KV CKT 1
15G	06ALL	0	FROM->TO	G15_032_115	SWISHER COUNTY INTERCHANGE (GE M101686) 230/115/13.2KV TRANSFORMER CKT 1	145.8	0.34072	181.5775	HALE CO INTERCHANGE - KRESS INTERCHANGE 115KV CKT 1
15G	06ALL	0	FROM->TO	G15_032_115	SWISHER COUNTY INTERCHANGE (GE M101686) 230/115/13.2KV TRANSFORMER CKT 1	146.1	0.34072	181.2731	HALE CO INTERCHANGE - KRESS INTERCHANGE 115KV CKT 1
15G	06ALL	0	FROM->TO	G15_032_115	SWISHER COUNTY INTERCHANGE (GE M101686) 230/115/13.2KV TRANSFORMER CKT 1	145.8	0.30727	170.6159	KRESS INTERCHANGE - KRESS_RURAL3115.00 115KV CKT 1
15G	06ALL	0	FROM->TO	G15_032_115	SWISHER COUNTY INTERCHANGE (GE M101686) 230/115/13.2KV TRANSFORMER CKT 1	146.1	0.30727	170.2656	KRESS INTERCHANGE - KRESS_RURAL3115.00 115KV CKT 1
15G	06ALL	0	FROM->TO	G15_032_115	SWISHER COUNTY INTERCHANGE (GE M101686) 230/115/13.2KV TRANSFORMER CKT 1	145.8	0.30727	170.1358	KRESS_RURAL3115.00 - N_PLAINVEW 3115.00 115KV CKT 1
15G	06ALL	0	FROM->TO	G15_032_115	SWISHER COUNTY INTERCHANGE (GE M101686) 230/115/13.2KV TRANSFORMER CKT 1	146.1	0.30727	169.8549	KRESS_RURAL3115.00 - N_PLAINVEW 3115.00 115KV CKT 1
15G	06ALL	0	FROM->TO	G15_032_115	SWISHER COUNTY INTERCHANGE (GE M101686) 230/115/13.2KV TRANSFORMER CKT 1	145.8	0.30727	169.3127	KISER 3115.00 - N_PLAINVEW 3115.00 115KV CKT 1
15G	06ALL	0	FROM->TO	G15_032_115	SWISHER COUNTY INTERCHANGE (GE M101686) 230/115/13.2KV TRANSFORMER CKT 1	146.1	0.30727	168.9651	KISER 3115.00 - N_PLAINVEW 3115.00 115KV CKT 1
15G	06ALL	0	FROM->TO	G15_032_115	SWISHER COUNTY INTERCHANGE (GE M101686) 230/115/13.2KV TRANSFORMER CKT 1	145.8	0.31883	168.6831	NEWHART 230 (WAUK WT01105) 230/115/13.2KV TRANSFORMER CKT 1
15G	06ALL	0	FROM->TO	G15_032_115	SWISHER COUNTY INTERCHANGE (GE M101686) 230/115/13.2KV TRANSFORMER CKT 1	146.1	0.31883	168.4052	NEWHART 230 (WAUK WT01105) 230/115/13.2KV TRANSFORMER CKT 1
15G	06ALL	0	FROM->TO	G15_032_115	SWISHER COUNTY INTERCHANGE (GE M101686) 230/115/13.2KV TRANSFORMER CKT 1	145.8	0.28385	168.2538	KRESS INTERCHANGE (ENRCO 136155) 115/69/13.2KV TRANSFORMER CKT 1
15G	06ALL	0	FROM->TO	G15_032_115	SWISHER COUNTY INTERCHANGE (GE M101686) 230/115/13.2KV TRANSFORMER CKT 1	146.1	0.28385	167.9767	KRESS INTERCHANGE (ENRCO 136155) 115/69/13.2KV TRANSFORMER CKT 1
15G	06ALL	0	FROM->TO	G15_032_115	SWISHER COUNTY INTERCHANGE (GE M101686) 230/115/13.2KV TRANSFORMER CKT 1	145.8	0.28385	167.225	KRESS INTERCHANGE - SWISHER COUNTY REC-KRESS 69KV CKT Z1
15G	06ALL	0	FROM->TO	G15_032_115	SWISHER COUNTY INTERCHANGE (GE M101686) 230/115/13.2KV TRANSFORMER CKT 1	146.1	0.28385	166.95	KRESS INTERCHANGE - SWISHER COUNTY REC-KRESS 69KV CKT Z1
15G	06ALL	0	FROM->TO	G15_032_115	SWISHER COUNTY INTERCHANGE (GE M101686) 230/115/13.2KV TRANSFORMER CKT 1	145.8	0.30727	166.775	COX INTERCHANGE - KISER 3115.00 115KV CKT 1
15G	06ALL	0	FROM->TO	G15_032_115	SWISHER COUNTY INTERCHANGE (GE M101686) 230/115/13.2KV TRANSFORMER CKT 1	146.1	0.30727	166.501	COX INTERCHANGE - KISER 3115.00 115KV CKT 1
15G	06ALL	0	FROM->TO	G15_032_115	SWISHER COUNTY INTERCHANGE (GE M101686) 230/115/13.2KV TRANSFORMER CKT 1	145.8	0.28238	166.2689	TUCO INTERCHANGE - TUCO_2 230.00 230KV CKT 1
15G	06ALL	0	FROM->TO	G15_032_115	SWISHER COUNTY INTERCHANGE (GE M101686) 230/115/13.2KV TRANSFORMER CKT 1	145.8	0.30479	165.9712	HALE CO INTERCHANGE - TUCO INTERCHANGE 115KV CKT 1
15G	06ALL	0	FROM->TO	G15_032_115	SWISHER COUNTY INTERCHANGE (GE M101686) 230/115/13.2KV TRANSFORMER CKT 1	146.1	0.28238	165.9274	TUCO INTERCHANGE - TUCO_2 230.00 230KV CKT 1
15G	06ALL	0	FROM->TO	G15_032_115	SWISHER COUNTY INTERCHANGE (GE M101686) 230/115/13.2KV TRANSFORMER CKT 1	146.1	0.30479	165.6304	HALE CO INTERCHANGE - TUCO INTERCHANGE 115KV CKT 1
15G	06ALL	0	FROM->TO	G15_032_115	SWISHER COUNTY INTERCHANGE (GE M101686) 230/115/13.2KV TRANSFORMER CKT 1	145.8	0.27887	164.6584	NEWHART 230 - PLANT X STATION 230KV CKT 1
15G	06ALL	0	FROM->TO	G15_032_115	SWISHER COUNTY INTERCHANGE (GE M101686) 230/115/13.2KV TRANSFORMER CKT 1	146.1	0.27887	164.3888	NEWHART 230 - PLANT X STATION 230KV CKT 1
15G	06ALL	0	FROM->TO	G15_032_115	SWISHER COUNTY INTERCHANGE (GE M101686) 230/115/13.2KV TRANSFORMER CKT 1	145.8	0.28496	164.1728	PLSNT_HILL7 345.00 - POTTER COUNTY INTERCHANGE 345KV CKT 1

SEASON	GROUP	SCENARIO	DIRECTION	SOURCE	MONITORED ELEMENT	RATE (MVA)	TDF	CONTINGENCY	
								LOADING %	CONTINGENCY
15WP	06ALL	0	FROM->TO	G15_032_115	SWISHER COUNTY INTERCHANGE (UPDATE LATER) 230/115/13.2KV TRANSFORMER CKT 1	250	0.27756	103.1792	PLSNT_HILL7 345.00 - POTTER COUNTY INTERCHANGE 345KV CKT 1
20WP	06ALL	0	FROM->TO	G15_032_115	SWISHER COUNTY INTERCHANGE (UPDATE LATER) 230/115/13.2KV TRANSFORMER CKT 1	249.4	0.29909	103.1596	COX INTERCHANGE - KISER 3115.00 115KV CKT 1
20WP	06ALL	0	FROM->TO	G15_032_115	SWISHER COUNTY INTERCHANGE (UPDATE LATER) 230/115/13.2KV TRANSFORMER CKT 1	249.5	0.29909	103.1583	COX INTERCHANGE - KISER 3115.00 115KV CKT 1
15WP	06ALL	0	FROM->TO	G15_032_115	SWISHER COUNTY INTERCHANGE (UPDATE LATER) 230/115/13.2KV TRANSFORMER CKT 1	250	0.27756	103.1392	PLSNT_HILL7 345.00 - POTTER COUNTY INTERCHANGE 345KV CKT 1
15WP	06ALL	0	FROM->TO	G15_032_115	SWISHER COUNTY INTERCHANGE (UPDATE LATER) 230/115/13.2KV TRANSFORMER CKT 1	250	0.27258	102.812	NEWHART 230 - PLANT X STATION 230KV CKT 1
15WP	06ALL	0	FROM->TO	G15_032_115	SWISHER COUNTY INTERCHANGE (UPDATE LATER) 230/115/13.2KV TRANSFORMER CKT 1	250	0.27258	102.772	NEWHART 230 - PLANT X STATION 230KV CKT 1
15WP	06ALL	0	FROM->TO	G15_032_115	SWISHER COUNTY INTERCHANGE (UPDATE LATER) 230/115/13.2KV TRANSFORMER CKT 1	250	0.28193	102.7712	FLOYD COUNTY INTERCHANGE - TUCO INTERCHANGE 115KV CKT 1
15WP	06ALL	0	FROM->TO	G15_032_115	SWISHER COUNTY INTERCHANGE (UPDATE LATER) 230/115/13.2KV TRANSFORMER CKT 1	250	0.28193	102.7712	FLOYD COUNTY INTERCHANGE - TUCO INTERCHANGE 115KV CKT 1
15WP	06ALL	0	FROM->TO	G15_032_115	SWISHER COUNTY INTERCHANGE (UPDATE LATER) 230/115/13.2KV TRANSFORMER CKT 1	250	0.29214	102.7328	COX INTERCHANGE - FLOYD COUNTY INTERCHANGE 115KV CKT 1
15WP	06ALL	0	FROM->TO	G15_032_115	SWISHER COUNTY INTERCHANGE (UPDATE LATER) 230/115/13.2KV TRANSFORMER CKT 1	250	0.29214	102.6928	COX INTERCHANGE - FLOYD COUNTY INTERCHANGE 115KV CKT 1
15WP	06ALL	0	FROM->TO	G15_032_115	SWISHER COUNTY INTERCHANGE (UPDATE LATER) 230/115/13.2KV TRANSFORMER CKT 1	250	0.28452	102.4928	NEWHART 230 (UPDATE LATER) 230/115/13.2KV TRANSFORMER CKT 2
15WP	06ALL	0	FROM->TO	G15_032_115	SWISHER COUNTY INTERCHANGE (UPDATE LATER) 230/115/13.2KV TRANSFORMER CKT 1	250	0.28452	102.4928	NEWHART 230 (UPDATE LATER) 230/115/13.2KV TRANSFORMER CKT 2
15WP	06ALL	0	FROM->TO	G15_032_115	SWISHER COUNTY INTERCHANGE (UPDATE LATER) 230/115/13.2KV TRANSFORMER CKT 1	250	0.28452	102.4928	NEWHART 230 (WAUK WT01105) 230/115/13.2KV TRANSFORMER CKT 1
15WP	06ALL	0	FROM->TO	G15_032_115	SWISHER COUNTY INTERCHANGE (UPDATE LATER) 230/115/13.2KV TRANSFORMER CKT 1	250	0.28452	102.4928	NEWHART 230 (WAUK WT01105) 230/115/13.2KV TRANSFORMER CKT 1
20WP	06ALL	0	FROM->TO	G15_032_115	SWISHER COUNTY INTERCHANGE (UPDATE LATER) 230/115/13.2KV TRANSFORMER CKT 1	249.4	0.27476	102.0433	TUCO INTERCHANGE - TUCO_2 230.00 230KV CKT 1
20WP	06ALL	0	FROM->TO	G15_032_115	SWISHER COUNTY INTERCHANGE (UPDATE LATER) 230/115/13.2KV TRANSFORMER CKT 1	249.5	0.27476	102.0425	TUCO INTERCHANGE - TUCO_2 230.00 230KV CKT 1
20WP	06ALL	0	FROM->TO	G15_032_115	SWISHER COUNTY INTERCHANGE (UPDATE LATER) 230/115/13.2KV TRANSFORMER CKT 1	249.4	0.26609	102.0064	NEWHART 230 - SWISHER COUNTY INTERCHANGE 230KV CKT 1
20WP	06ALL	0	FROM->TO	G15_032_115	SWISHER COUNTY INTERCHANGE (UPDATE LATER) 230/115/13.2KV TRANSFORMER CKT 1	249.5	0.26609	102.0056	NEWHART 230 - SWISHER COUNTY INTERCHANGE 230KV CKT 1
25SP	06ALL	0	FROM->TO	G15_032_115	SWISHER COUNTY INTERCHANGE (UPDATE LATER) 230/115/13.2KV TRANSFORMER CKT 1	236.6	0.3902	101.2054	HAPPY INTERCHANGE - TULIA TAP 115KV CKT 1
20WP	06ALL	0	FROM->TO	G15_032_115	SWISHER COUNTY INTERCHANGE (UPDATE LATER) 230/115/13.2KV TRANSFORMER CKT 1	249.4	0.27719	100.8525	PLSNT_HILL7 345.00 - POTTER COUNTY INTERCHANGE 345KV CKT 1
20WP	06ALL	0	FROM->TO	G15_032_115	SWISHER COUNTY INTERCHANGE (UPDATE LATER) 230/115/13.2KV TRANSFORMER CKT 1	249.5	0.27719	100.812	PLSNT_HILL7 345.00 - POTTER COUNTY INTERCHANGE 345KV CKT 1
20WP	06ALL	0	FROM->TO	G15_032_115	SWISHER COUNTY INTERCHANGE (UPDATE LATER) 230/115/13.2KV TRANSFORMER CKT 1	249.4	0.28157	100.6889	FLOYD COUNTY INTERCHANGE - TUCO INTERCHANGE 115KV CKT 1
20WP	06ALL	0	FROM->TO	G15_032_115	SWISHER COUNTY INTERCHANGE (UPDATE LATER) 230/115/13.2KV TRANSFORMER CKT 1	249.5	0.28157	100.6886	FLOYD COUNTY INTERCHANGE - TUCO INTERCHANGE 115KV CKT 1
20WP	06ALL	0	FROM->TO	G15_032_115	SWISHER COUNTY INTERCHANGE (UPDATE LATER) 230/115/13.2KV TRANSFORMER CKT 1	249.4	0.29189	100.6768	COX INTERCHANGE - FLOYD COUNTY INTERCHANGE 115KV CKT 1
20WP	06ALL	0	FROM->TO	G15_032_115	SWISHER COUNTY INTERCHANGE (UPDATE LATER) 230/115/13.2KV TRANSFORMER CKT 1	249.5	0.29189	100.6766	COX INTERCHANGE - FLOYD COUNTY INTERCHANGE 115KV CKT 1
20WP	06ALL	0	FROM->TO	G15_032_115	SWISHER COUNTY INTERCHANGE (UPDATE LATER) 230/115/13.2KV TRANSFORMER CKT 1	249.4	0.27222	100.6095	NEWHART 230 - PLANT X STATION 230KV CKT 1
20WP	06ALL	0	FROM->TO	G15_032_115	SWISHER COUNTY INTERCHANGE (UPDATE LATER) 230/115/13.2KV TRANSFORMER CKT 1	249.5	0.27222	100.6092	NEWHART 230 - PLANT X STATION 230KV CKT 1
20SP	06ALL	0	FROM->TO	G15_032_115	SWISHER COUNTY INTERCHANGE (UPDATE LATER) 230/115/13.2KV TRANSFORMER CKT 1	239.2	0.3901	100.454	HAPPY INTERCHANGE - PALO DURO SUB 115KV CKT 1
20SP	06ALL	0	FROM->TO	G15_032_115	SWISHER COUNTY INTERCHANGE (UPDATE LATER) 230/115/13.2KV TRANSFORMER CKT 1	239.2	0.3901	100.454	SPP-SWPS-T66
15WP	06ALL	0	FROM->TO	G15_032_115	SWISHER COUNTY INTERCHANGE (UPDATE LATER) 230/115/13.2KV TRANSFORMER CKT 1	250	0.27649	100.3712	BASE CASE
25SP	06ALL	0	FROM->TO	G15_032_115	SWISHER COUNTY INTERCHANGE (UPDATE LATER) 230/115/13.2KV TRANSFORMER CKT 1	238.8	0.3902	100.3568	HAPPY INTERCHANGE - TULIA TAP 115KV CKT 1
15WP	06ALL	0	FROM->TO	G15_032_115	SWISHER COUNTY INTERCHANGE (UPDATE LATER) 230/115/13.2KV TRANSFORMER CKT 1	250	0.27649	100.3312	BASE CASE
20WP	06ALL	0	FROM->TO	G15_032_115	SWISHER COUNTY INTERCHANGE (UPDATE LATER) 230/115/13.2KV TRANSFORMER CKT 1	249.4	0.28421	100.3039	NEWHART 230 (UPDATE LATER) 230/115/13.2KV TRANSFORMER CKT 2
20WP	06ALL	0	FROM->TO	G15_032_115	SWISHER COUNTY INTERCHANGE (UPDATE LATER) 230/115/13.2KV TRANSFORMER CKT 1	249.4	0.28421	100.3039	NEWHART 230 (WAUK WT01105) 230/115/13.2KV TRANSFORMER CKT 1
20WP	06ALL	0	FROM->TO	G15_032_115	SWISHER COUNTY INTERCHANGE (UPDATE LATER) 230/115/13.2KV TRANSFORMER CKT 1	249.5	0.28421	100.3038	NEWHART 230 (UPDATE LATER) 230/115/13.2KV TRANSFORMER CKT 2
20WP	06ALL	0	FROM->TO	G15_032_115	SWISHER COUNTY INTERCHANGE (UPDATE LATER) 230/115/13.2KV TRANSFORMER CKT 1	249.5	0.28421	100.3038	NEWHART 230 (WAUK WT01105) 230/115/13.2KV TRANSFORMER CKT 1
20SP	06ALL	0	FROM->TO	G15_032_115	SWISHER COUNTY INTERCHANGE (UPDATE LATER) 230/115/13.2KV TRANSFORMER CKT 1	239.2	0.3901	100.0778	PALO DURO SUB - RANDALL COUNTY INTERCHANGE 115KV CKT 1
20WP	06ALL	2	TO->FROM	G15_032_115	CIMARRON - MINCO 345KV CKT 1	955.9	0.21256	110.4159	G14-057T 345.00 - SUNNYSIDE 345KV CKT 1
15G	06ALL	2	TO->FROM	G15_032_115	CIMARRON - MINCO 345KV CKT 1	953.6	0.21694	109.8272	G14-057T 345.00 - SUNNYSIDE 345KV CKT 1
20WP	06ALL	2	TO->FROM	G15_032_115	CIMARRON - MINCO 345KV CKT 1	955.9	0.21256	108.1563	G14-057T 345.00 - LAWTON EASTSIDE 345KV CKT 1
15G	06ALL	2	TO->FROM	G15_032_115	CIMARRON - MINCO 345KV CKT 1	953.6	0.21694	107.5831	G14-057T 345.00 - LAWTON EASTSIDE 345KV CKT 1
15WP	06ALL	2	TO->FROM	G15_032_115	CIMARRON - MINCO 345KV CKT 1	955.8	0.22326	106.4317	G14-057T 345.00 - SUNNYSIDE 345KV CKT 1
15WP	06ALL	2	TO->FROM	G15_032_115	CIMARRON - MINCO 345KV CKT 1	955.8	0.22326	104.2032	G14-057T 345.00 - LAWTON EASTSIDE 345KV CKT 1
15SP	06ALL	2	TO->FROM	G15_032_115	CIMARRON - MINCO 345KV CKT 1	955.4	0.21981	102.5765	G14-057T 345.00 - SUNNYSIDE 345KV CKT 1
15SP	06ALL	2	TO->FROM	G15_032_115	CIMARRON - MINCO 345KV CKT 1	955.4	0.21981	100.2738	G14-057T 345.00 - LAWTON EASTSIDE 345KV CKT 1
25SP	00NR	2	FROM->TO	G15_032_115	EDDY_NORTH 6230.00 (WAUK WT01134) 230/115/13.2KV TRANSFORMER CKT 2	285.3	0.03378	103.7273	EDDY COUNTY INTERCHANGE - EDDY_NORTH 6230.00 230KV CKT @1
25SP	00NR	2	FROM->TO	G15_032_115	EDDY_NORTH 6230.00 (WAUK WT01134) 230/115/13.2KV TRANSFORMER CKT 2	286.5	0.03378	103.1881	EDDY COUNTY INTERCHANGE - EDDY_NORTH 6230.00 230KV CKT @1
15G	06NR	2	TO->FROM	G15_032_115	MANHATTAN TAP - RANDALL COUNTY INTERCHANGE 115KV CKT 1	159.5	0.18612	101.7154	OSAGE SWITCHING STATION - RANDALL COUNTY INTERCHANGE 115KV CKT 1
15G	06NR	2	TO->FROM	G15_032_115	OSAGE SWITCHING STATION - RANDALL COUNTY INTERCHANGE 115KV CKT 1	159.6	0.18268	100.4411	MANHATTAN TAP - RANDALL COUNTY INTERCHANGE 115KV CKT 1
15G	06ALL	2	FROM->TO	G15_032_115	SWISHER COUNTY INTERCHANGE (GE M101686) 230/115/13.2KV TRANSFORMER CKT 1	145.8	0.32264	161.8436	KRESS INTERCHANGE - NEWHART 115KV CKT 1
15G	06ALL	2	FROM->TO	G15_032_115	SWISHER COUNTY INTERCHANGE (GE M101686) 230/115/13.2KV TRANSFORMER CKT 1	146.1	0.32264	161.5797	KRESS INTERCHANGE - NEWHART 115KV CKT 1
15G	06ALL	2	FROM->TO	G15_032_115	SWISHER COUNTY INTERCHANGE (GE M101686) 230/115/13.2KV TRANSFORMER CKT 1	145.8	0.30215	158.5144	SPP-SWPS-T66
15G	06ALL	2	FROM->TO	G15_032_115	SWISHER COUNTY INTERCHANGE (GE M101686) 230/115/13.2KV TRANSFORMER CKT 1	146.1	0.30215	158.2574	SPP-SWPS-T66
15G	06ALL	2	FROM->TO	G15_032_115	SWISHER COUNTY INTERCHANGE (GE M101686) 230/115/13.2KV TRANSFORMER CKT 1	145.8	0.30301	156.6804	HALE CO INTERCHANGE - KRESS INTERCHANGE 115KV CKT 1
15G	06ALL	2	FROM->TO	G15_032_115	SWISHER COUNTY INTERCHANGE (GE M101686) 230/115/13.2KV TRANSFORMER CKT 1	146.1	0.30301	156.4271	HALE CO INTERCHANGE - KRESS INTERCHANGE 115KV CKT 1
15G	06ALL	2	FROM->TO	G15_032_115	SWISHER COUNTY INTERCHANGE (GE M101686) 230/115/13.2KV TRANSFORMER CKT 1	145.8	0.28917	153.1152	HAPPY INTERCHANGE - PALO DURO SUB 115KV CKT 1
15G	06ALL	2	FROM->TO	G15_032_115	SWISHER COUNTY INTERCHANGE (GE M101686) 230/115/13.2KV TRANSFORMER CKT 1	145.8	0.28917	153.1152	HAPPY INTERCHANGE - PALO DURO SUB 115KV CKT 2
15G	06ALL	2	FROM->TO	G15_032_115	SWISHER COUNTY INTERCHANGE (GE M101686) 230/115/13.2KV TRANSFORMER CKT 1	146.1	0.28917	152.8693	HAPPY INTERCHANGE - PALO DURO SUB 115KV CKT 1
15G	06ALL	2	FROM->TO	G15_032_115	SWISHER COUNTY INTERCHANGE (GE M101686) 230/115/13.2KV TRANSFORMER CKT 1	146.1	0.28917	152.8693	HAPPY INTERCHANGE - PALO DURO SUB 115KV CKT 2
15G	06ALL	2	FROM->TO	G15_032_115	SWISHER COUNTY INTERCHANGE (GE M101686) 230/115/13.2KV TRANSFORMER CKT 1	145.8	0.27589	148.7339	KRESS INTERCHANGE - KRESS_RURAL3115.00 115KV CKT 1
15G	06ALL	2	FROM->TO	G15_032_115	SWISHER COUNTY INTERCHANGE (GE M101686) 230/115/13.2KV TRANSFORMER CKT 1	146.1	0.27589	148.4969	KRESS INTERCHANGE - KRESS_RURAL3115.00 115KV CKT 1
15G	06ALL	2	FROM->TO	G15_032_115	SWISHER COUNTY INTERCHANGE (GE M101686) 230/115/13.2KV TRANSFORMER CKT 1	145.8	0.27589	148.3909	KRESS_RURAL3115.00 - N_PLAINVIEW 3115.00 115KV CKT 1
15G	06ALL	2	FROM->TO	G15_032_115	SWISHER COUNTY INTERCHANGE (GE M101686) 230/115/13.2KV TRANSFORMER CKT 1	146.1	0.27589	148.1547	KRESS_RURAL3115.00 - N_PLAINVIEW 3115.00 115KV CKT 1
15G	06ALL	2	FROM->TO	G15_032_115	SWISHER COUNTY INTERCHANGE (GE M101686) 230/115/13.2KV TRANSFORMER CKT 1	145.8	0.2773	148.0014	PALO DURO SUB - RANDALL COUNTY INTERCHANGE 115KV CKT 1
15G	06ALL	2	FROM->TO	G15_032_115	SWISHER COUNTY INTERCHANGE (GE M101686) 230/115/13.2KV TRANSFORMER CKT 1	145.8	0.2773	148.0014	PALO DURO SUB - RANDALL COUNTY INTERCHANGE 115KV CKT 2

SEASON	GROUP	SCENARIO	DIRECTION	SOURCE	MONITORED ELEMENT	RATE		CONTINGENCY	
						(MVA)	TDF	LOADING %	CONTINGENCY
15G	06ALL	2	FROM->TO	G15_032_115	SWISHER COUNTY INTERCHANGE (GE M101686) 230/115/13.2KV TRANSFORMER CKT 1	146.1	0.2773	147.7659	PALO DURO SUB - RANDALL COUNTY INTERCHANGE 115KV CKT 1
15G	06ALL	2	FROM->TO	G15_032_115	SWISHER COUNTY INTERCHANGE (GE M101686) 230/115/13.2KV TRANSFORMER CKT 1	146.1	0.2773	147.7659	PALO DURO SUB - RANDALL COUNTY INTERCHANGE 115KV CKT 2
15G	06ALL	2	FROM->TO	G15_032_115	SWISHER COUNTY INTERCHANGE (GE M101686) 230/115/13.2KV TRANSFORMER CKT 1	145.8	0.25647	147.7572	KRESS INTERCHANGE (ENRCO 136155) 115/69/13.2KV TRANSFORMER CKT 1
15G	06ALL	2	FROM->TO	G15_032_115	SWISHER COUNTY INTERCHANGE (GE M101686) 230/115/13.2KV TRANSFORMER CKT 1	145.8	0.27589	147.5679	KISER 3115.00 - N_PLAINVEW 3115.00 115KV CKT 1
15G	06ALL	2	FROM->TO	G15_032_115	SWISHER COUNTY INTERCHANGE (GE M101686) 230/115/13.2KV TRANSFORMER CKT 1	146.1	0.25647	147.5222	KRESS INTERCHANGE (ENRCO 136155) 115/69/13.2KV TRANSFORMER CKT 1
15G	06ALL	2	FROM->TO	G15_032_115	SWISHER COUNTY INTERCHANGE (GE M101686) 230/115/13.2KV TRANSFORMER CKT 1	146.1	0.27589	147.3333	KISER 3115.00 - N_PLAINVEW 3115.00 115KV CKT 1
15G	06ALL	2	FROM->TO	G15_032_115	SWISHER COUNTY INTERCHANGE (GE M101686) 230/115/13.2KV TRANSFORMER CKT 1	145.8	0.25647	146.8656	KRESS INTERCHANGE - SWISHER COUNTY REC-KRESS 69KV CKT Z1
15G	06ALL	2	FROM->TO	G15_032_115	SWISHER COUNTY INTERCHANGE (GE M101686) 230/115/13.2KV TRANSFORMER CKT 1	145.8	0.25499	146.8011	TUCO INTERCHANGE - TUCO_2 230.00 230KV CKT 1
15G	06ALL	2	FROM->TO	G15_032_115	SWISHER COUNTY INTERCHANGE (GE M101686) 230/115/13.2KV TRANSFORMER CKT 1	146.1	0.25647	146.6324	KRESS INTERCHANGE - SWISHER COUNTY REC-KRESS 69KV CKT Z1
15G	06ALL	2	FROM->TO	G15_032_115	SWISHER COUNTY INTERCHANGE (GE M101686) 230/115/13.2KV TRANSFORMER CKT 1	146.1	0.25499	146.4997	TUCO INTERCHANGE - TUCO_2 230.00 230KV CKT 1
15G	06ALL	2	FROM->TO	G15_032_115	SWISHER COUNTY INTERCHANGE (GE M101686) 230/115/13.2KV TRANSFORMER CKT 1	145.8	0.25139	145.8957	NEWHART 230 - PLANT X STATION 230KV CKT 1
15G	06ALL	2	FROM->TO	G15_032_115	SWISHER COUNTY INTERCHANGE (GE M101686) 230/115/13.2KV TRANSFORMER CKT 1	146.1	0.25139	145.6646	NEWHART 230 - PLANT X STATION 230KV CKT 1
15G	06ALL	2	FROM->TO	G15_032_115	SWISHER COUNTY INTERCHANGE (GE M101686) 230/115/13.2KV TRANSFORMER CKT 1	145.8	0.2686	144.9973	HAPPY INTERCHANGE - TULIA TAP 115KV CKT 1
15G	06ALL	2	FROM->TO	G15_032_115	SWISHER COUNTY INTERCHANGE (GE M101686) 230/115/13.2KV TRANSFORMER CKT 1	145.8	0.2686	144.9973	HAPPY INTERCHANGE - TULIA TAP 115KV CKT 2
15G	06ALL	2	FROM->TO	G15_032_115	SWISHER COUNTY INTERCHANGE (GE M101686) 230/115/13.2KV TRANSFORMER CKT 1	146.1	0.2686	144.6995	HAPPY INTERCHANGE - TULIA TAP 115KV CKT 1
15G	06ALL	2	FROM->TO	G15_032_115	SWISHER COUNTY INTERCHANGE (GE M101686) 230/115/13.2KV TRANSFORMER CKT 1	146.1	0.2686	144.6995	HAPPY INTERCHANGE - TULIA TAP 115KV CKT 2
15G	06ALL	2	FROM->TO	G15_032_115	SWISHER COUNTY INTERCHANGE (GE M101686) 230/115/13.2KV TRANSFORMER CKT 1	145.8	0.25682	143.7778	TUCO_2 345.00 - YOAKUM_345 345.00 345KV CKT 1
15G	06ALL	2	FROM->TO	G15_032_115	SWISHER COUNTY INTERCHANGE (GE M101686) 230/115/13.2KV TRANSFORMER CKT 1	146.1	0.25682	143.551	TUCO_2 345.00 - YOAKUM_345 345.00 345KV CKT 1
15G	06ALL	2	FROM->TO	G15_032_115	SWISHER COUNTY INTERCHANGE (GE M101686) 230/115/13.2KV TRANSFORMER CKT 1	145.8	0.23945	143.5473	SPP-SWPS-T67
15G	06ALL	2	FROM->TO	G15_032_115	SWISHER COUNTY INTERCHANGE (GE M101686) 230/115/13.2KV TRANSFORMER CKT 1	146.1	0.23945	143.321	SPP-SWPS-T67
15G	06ALL	2	FROM->TO	G15_032_115	SWISHER COUNTY INTERCHANGE (GE M101686) 230/115/13.2KV TRANSFORMER CKT 1	145.8	0.24464	140.5226	NEWHART 230 - SWISHER COUNTY INTERCHANGE 230KV CKT 1
15G	06ALL	2	FROM->TO	G15_032_115	SWISHER COUNTY INTERCHANGE (GE M101686) 230/115/13.2KV TRANSFORMER CKT 1	146.1	0.24464	140.3025	NEWHART 230 - SWISHER COUNTY INTERCHANGE 230KV CKT 1
15G	06ALL	2	FROM->TO	G15_032_115	SWISHER COUNTY INTERCHANGE (GE M101686) 230/115/13.2KV TRANSFORMER CKT 1	145.8	0.25647	139.2524	BASE CASE
15G	06ALL	2	FROM->TO	G15_032_115	SWISHER COUNTY INTERCHANGE (GE M101686) 230/115/13.2KV TRANSFORMER CKT 1	146.1	0.25647	138.9664	BASE CASE
15WP	06ALL	2	FROM->TO	G15_032_115	SWISHER COUNTY INTERCHANGE (UPDATE LATER) 230/115/13.2KV TRANSFORMER CKT 1	250	0.32355	102.5768	KRESS INTERCHANGE - NEWHART 115KV CKT 1
15WP	06ALL	2	FROM->TO	G15_032_115	SWISHER COUNTY INTERCHANGE (UPDATE LATER) 230/115/13.2KV TRANSFORMER CKT 1	250	0.32355	102.5368	KRESS INTERCHANGE - NEWHART 115KV CKT 1
20WP	06ALL	2	FROM->TO	G15_032_115	SWISHER COUNTY INTERCHANGE (UPDATE LATER) 230/115/13.2KV TRANSFORMER CKT 1	249.4	0.32343	101.2358	KRESS INTERCHANGE - NEWHART 115KV CKT 1
20WP	06ALL	2	FROM->TO	G15_032_115	SWISHER COUNTY INTERCHANGE (UPDATE LATER) 230/115/13.2KV TRANSFORMER CKT 1	249.4	0.32343	101.1957	KRESS INTERCHANGE - NEWHART 115KV CKT 1
15WP	06ALL	2	FROM->TO	G15_032_115	SWISHER COUNTY INTERCHANGE (UPDATE LATER) 230/115/13.2KV TRANSFORMER CKT 1	250	0.29435	100.1216	SPP-SWPS-T66
15WP	06ALL	2	FROM->TO	G15_032_115	SWISHER COUNTY INTERCHANGE (UPDATE LATER) 230/115/13.2KV TRANSFORMER CKT 1	250	0.29435	100.0816	SPP-SWPS-T66
25SP	00NR	3	FROM->TO	G15_032_115	EDDY_NORTH 6230.00 (WAUK WT01134) 230/115/13.2KV TRANSFORMER CKT 2	285.3	0.03353	103.701	EDDY COUNTY INTERCHANGE - EDDY_NORTH 6230.00 230KV CKT @1
25SP	00NR	3	FROM->TO	G15_032_115	EDDY_NORTH 6230.00 (WAUK WT01134) 230/115/13.2KV TRANSFORMER CKT 2	286.5	0.03353	103.1969	EDDY COUNTY INTERCHANGE - EDDY_NORTH 6230.00 230KV CKT @1
25SP	00NR	4	FROM->TO	G15_032_115	EDDY_NORTH 6230.00 (WAUK WT01134) 230/115/13.2KV TRANSFORMER CKT 2	285.3	0.03354	103.7021	EDDY COUNTY INTERCHANGE - EDDY_NORTH 6230.00 230KV CKT @1
25SP	00NR	4	FROM->TO	G15_032_115	EDDY_NORTH 6230.00 (WAUK WT01134) 230/115/13.2KV TRANSFORMER CKT 2	286.5	0.03354	103.1979	EDDY COUNTY INTERCHANGE - EDDY_NORTH 6230.00 230KV CKT @1

SEASON	GROUP	SCENARIO	DIRECTION	SOURCE	MONITORED ELEMENT	RATE (MVA)	TDF	CONTINGENCY LOADING %	CONTINGENCY
20WP	06ALL	0	TO->FROM	G15_031_230	CIMARRON - MINCO 345KV CKT 1	955.9	0.21928	110.6689	G14-057T 345.00 - SUNNYSIDE 345KV CKT 1
15G	06ALL	0	TO->FROM	G15_031_230	CIMARRON - MINCO 345KV CKT 1	953.6	0.22375	110.0369	G14-057T 345.00 - SUNNYSIDE 345KV CKT 1
20WP	06ALL	0	TO->FROM	G15_031_230	CIMARRON - MINCO 345KV CKT 1	955.9	0.21928	108.4092	G14-057T 345.00 - LAWTON EASTSIDE 345KV CKT 1
15G	06ALL	0	TO->FROM	G15_031_230	CIMARRON - MINCO 345KV CKT 1	953.6	0.22375	107.7928	G14-057T 345.00 - LAWTON EASTSIDE 345KV CKT 1
15WP	06ALL	0	TO->FROM	G15_031_230	CIMARRON - MINCO 345KV CKT 1	955.8	0.23001	106.6755	G14-057T 345.00 - SUNNYSIDE 345KV CKT 1
15WP	06ALL	0	TO->FROM	G15_031_230	CIMARRON - MINCO 345KV CKT 1	955.8	0.23001	104.4469	G14-057T 345.00 - LAWTON EASTSIDE 345KV CKT 1
15SP	06ALL	0	TO->FROM	G15_031_230	CIMARRON - MINCO 345KV CKT 1	955.4	0.22657	102.8401	G14-057T 345.00 - SUNNYSIDE 345KV CKT 1
15SP	06ALL	0	TO->FROM	G15_031_230	CIMARRON - MINCO 345KV CKT 1	955.4	0.22657	100.5374	G14-057T 345.00 - LAWTON EASTSIDE 345KV CKT 1
25SP	00NR	0	FROM->TO	G15_031_230	EDDY_NORTH 6230.00 (WAUK WT01134) 230/115/13.2KV TRANSFORMER CKT 2	285.3	0.03046	103.4483	EDDY COUNTY INTERCHANGE - EDDY_NORTH 6230.00 230KV CKT @1
25SP	00NR	0	FROM->TO	G15_031_230	EDDY_NORTH 6230.00 (WAUK WT01134) 230/115/13.2KV TRANSFORMER CKT 2	286.5	0.03046	102.9103	EDDY COUNTY INTERCHANGE - EDDY_NORTH 6230.00 230KV CKT @1
20WP	06ALL	0	TO->FROM	G15_031_230	TUCO_2 345.00 (TUCO_2 XFMR) 345/230/13.2KV TRANSFORMER CKT 1	559.5	0.19666	112.1895	TUCO INTERCHANGE - TUCO_2 345.00 345KV CKT 1
20WP	06ALL	0	TO->FROM	G15_031_230	TUCO_2 345.00 (TUCO_2 XFMR) 345/230/13.2KV TRANSFORMER CKT 1	559.9	0.19666	112.0736	TUCO INTERCHANGE - TUCO_2 345.00 345KV CKT 1
25SP	00NR	2	FROM->TO	G15_031_230	EDDY_NORTH 6230.00 (WAUK WT01134) 230/115/13.2KV TRANSFORMER CKT 2	285.3	0.03046	103.4483	EDDY COUNTY INTERCHANGE - EDDY_NORTH 6230.00 230KV CKT @1
25SP	00NR	2	FROM->TO	G15_031_230	EDDY_NORTH 6230.00 (WAUK WT01134) 230/115/13.2KV TRANSFORMER CKT 2	286.5	0.03046	102.9103	EDDY COUNTY INTERCHANGE - EDDY_NORTH 6230.00 230KV CKT @1
20WP	06ALL	2	TO->FROM	G15_031_230	TUCO_2 345.00 (TUCO_2 XFMR) 345/230/13.2KV TRANSFORMER CKT 1	559.5	0.19666	112.2073	TUCO INTERCHANGE - TUCO_2 345.00 345KV CKT 1
20WP	06ALL	2	TO->FROM	G15_031_230	TUCO_2 345.00 (TUCO_2 XFMR) 345/230/13.2KV TRANSFORMER CKT 1	559.9	0.19666	112.0736	TUCO INTERCHANGE - TUCO_2 345.00 345KV CKT 1
25SP	00NR	3	FROM->TO	G15_031_230	EDDY_NORTH 6230.00 (WAUK WT01134) 230/115/13.2KV TRANSFORMER CKT 2	285.3	0.03017	103.523	EDDY COUNTY INTERCHANGE - EDDY_NORTH 6230.00 230KV CKT @1
25SP	00NR	3	FROM->TO	G15_031_230	EDDY_NORTH 6230.00 (WAUK WT01134) 230/115/13.2KV TRANSFORMER CKT 2	286.5	0.03017	103.0195	EDDY COUNTY INTERCHANGE - EDDY_NORTH 6230.00 230KV CKT @1
20WP	06ALL	0	TO->FROM	G15_032_230	CIMARRON - MINCO 345KV CKT 1	955.9	0.215	110.6689	G14-057T 345.00 - SUNNYSIDE 345KV CKT 1
15G	06ALL	0	TO->FROM	G15_032_230	CIMARRON - MINCO 345KV CKT 1	953.6	0.21929	110.0369	G14-057T 345.00 - SUNNYSIDE 345KV CKT 1
20WP	06ALL	0	TO->FROM	G15_032_230	CIMARRON - MINCO 345KV CKT 1	955.9	0.215	108.4092	G14-057T 345.00 - LAWTON EASTSIDE 345KV CKT 1
15G	06ALL	0	TO->FROM	G15_032_230	CIMARRON - MINCO 345KV CKT 1	953.6	0.21929	107.7928	G14-057T 345.00 - LAWTON EASTSIDE 345KV CKT 1
15WP	06ALL	0	TO->FROM	G15_032_230	CIMARRON - MINCO 345KV CKT 1	955.8	0.22567	106.6755	G14-057T 345.00 - SUNNYSIDE 345KV CKT 1
15WP	06ALL	0	TO->FROM	G15_032_230	CIMARRON - MINCO 345KV CKT 1	955.8	0.22567	104.4469	G14-057T 345.00 - LAWTON EASTSIDE 345KV CKT 1
15SP	06ALL	0	TO->FROM	G15_032_230	CIMARRON - MINCO 345KV CKT 1	955.4	0.22222	102.8401	G14-057T 345.00 - SUNNYSIDE 345KV CKT 1
15SP	06ALL	0	TO->FROM	G15_032_230	CIMARRON - MINCO 345KV CKT 1	955.4	0.22222	100.5374	G14-057T 345.00 - LAWTON EASTSIDE 345KV CKT 1
25SP	00NR	0	FROM->TO	G15_032_230	EDDY_NORTH 6230.00 (WAUK WT01134) 230/115/13.2KV TRANSFORMER CKT 2	285.3	0.03782	104.2222	EDDY COUNTY INTERCHANGE - EDDY_NORTH 6230.00 230KV CKT @1
25SP	00NR	0	FROM->TO	G15_032_230	EDDY_NORTH 6230.00 (WAUK WT01134) 230/115/13.2KV TRANSFORMER CKT 2	286.5	0.03782	103.681	EDDY COUNTY INTERCHANGE - EDDY_NORTH 6230.00 230KV CKT @1
25SP	00NR	2	FROM->TO	G15_032_230	EDDY_NORTH 6230.00 (WAUK WT01134) 230/115/13.2KV TRANSFORMER CKT 2	285.3	0.03782	104.2222	EDDY COUNTY INTERCHANGE - EDDY_NORTH 6230.00 230KV CKT @1
25SP	00NR	2	FROM->TO	G15_032_230	EDDY_NORTH 6230.00 (WAUK WT01134) 230/115/13.2KV TRANSFORMER CKT 2	286.5	0.03782	103.681	EDDY COUNTY INTERCHANGE - EDDY_NORTH 6230.00 230KV CKT @1
25SP	00NR	3	FROM->TO	G15_032_230	EDDY_NORTH 6230.00 (WAUK WT01134) 230/115/13.2KV TRANSFORMER CKT 2	285.3	0.03765	104.3095	EDDY COUNTY INTERCHANGE - EDDY_NORTH 6230.00 230KV CKT @1
25SP	00NR	3	FROM->TO	G15_032_230	EDDY_NORTH 6230.00 (WAUK WT01134) 230/115/13.2KV TRANSFORMER CKT 2	286.5	0.03765	103.8028	EDDY COUNTY INTERCHANGE - EDDY_NORTH 6230.00 230KV CKT @1

SEASON	GROUP	SCENARIO	DIRECTION	SOURCE	MONITORED ELEMENT	RATE (MVA)	CONTINGENCY		
							TDF	LOADING %	CONTINGENCY
15G	06ALL	0	TO->FROM	G15_031_230	CIMARRON - MINCO 345KV CKT 1	953.6	0.22375	110.025	G14-057T 345.00 - SUNNYSIDE 345KV CKT 1
15G	06ALL	0	TO->FROM	G15_031_230	CIMARRON - MINCO 345KV CKT 1	953.6	0.22375	107.7808	G14-057T 345.00 - LAWTON EASTSIDE 345KV CKT 1
15SP	06ALL	0	TO->FROM	G15_031_230	CIMARRON - MINCO 345KV CKT 1	955.4	0.22657	102.8231	G14-057T 345.00 - SUNNYSIDE 345KV CKT 1
15WP	06ALL	0	TO->FROM	G15_031_230	CIMARRON - MINCO 345KV CKT 1	955.4	0.22657	102.8231	G14-057T 345.00 - SUNNYSIDE 345KV CKT 1
15SP	06ALL	0	TO->FROM	G15_031_230	CIMARRON - MINCO 345KV CKT 1	955.4	0.22657	100.5204	G14-057T 345.00 - LAWTON EASTSIDE 345KV CKT 1
15WP	06ALL	0	TO->FROM	G15_031_230	CIMARRON - MINCO 345KV CKT 1	955.4	0.22657	100.5204	G14-057T 345.00 - LAWTON EASTSIDE 345KV CKT 1
25SP	00NR	0	FROM->TO	G15_031_230	EDDY_NORTH 6230.00 (WAUK WT01134) 230/115/13.2KV TRANSFORMER CKT 2	285.3	0.03046	103.4483	EDDY COUNTY INTERCHANGE - EDDY_NORTH 6230.00 230KV CKT @1
25SP	00NR	0	FROM->TO	G15_031_230	EDDY_NORTH 6230.00 (WAUK WT01134) 230/115/13.2KV TRANSFORMER CKT 2	286.5	0.03046	102.9103	EDDY COUNTY INTERCHANGE - EDDY_NORTH 6230.00 230KV CKT @1
15G	06ALL	2	TO->FROM	G15_031_230	CIMARRON - MINCO 345KV CKT 1	953.6	0.22304	109.8882	G14-057T 345.00 - SUNNYSIDE 345KV CKT 1
15G	06ALL	2	TO->FROM	G15_031_230	CIMARRON - MINCO 345KV CKT 1	953.6	0.22304	107.6441	G14-057T 345.00 - LAWTON EASTSIDE 345KV CKT 1
15SP	06ALL	2	TO->FROM	G15_031_230	CIMARRON - MINCO 345KV CKT 1	955.4	0.22588	102.6387	G14-057T 345.00 - SUNNYSIDE 345KV CKT 1
15WP	06ALL	2	TO->FROM	G15_031_230	CIMARRON - MINCO 345KV CKT 1	955.4	0.22588	102.6387	G14-057T 345.00 - SUNNYSIDE 345KV CKT 1
15SP	06ALL	2	TO->FROM	G15_031_230	CIMARRON - MINCO 345KV CKT 1	955.4	0.22588	100.336	G14-057T 345.00 - LAWTON EASTSIDE 345KV CKT 1
15WP	06ALL	2	TO->FROM	G15_031_230	CIMARRON - MINCO 345KV CKT 1	955.4	0.22588	100.336	G14-057T 345.00 - LAWTON EASTSIDE 345KV CKT 1
25SP	00NR	2	FROM->TO	G15_031_230	EDDY_NORTH 6230.00 (WAUK WT01134) 230/115/13.2KV TRANSFORMER CKT 2	285.3	0.03064	103.3971	EDDY COUNTY INTERCHANGE - EDDY_NORTH 6230.00 230KV CKT @1
25SP	00NR	2	FROM->TO	G15_031_230	EDDY_NORTH 6230.00 (WAUK WT01134) 230/115/13.2KV TRANSFORMER CKT 2	286.5	0.03064	102.8593	EDDY COUNTY INTERCHANGE - EDDY_NORTH 6230.00 230KV CKT @1
25SP	00NR	3	FROM->TO	G15_031_230	EDDY_NORTH 6230.00 (WAUK WT01134) 230/115/13.2KV TRANSFORMER CKT 2	285.3	0.03064	103.3971	EDDY COUNTY INTERCHANGE - EDDY_NORTH 6230.00 230KV CKT @1
25SP	00NR	3	FROM->TO	G15_031_230	EDDY_NORTH 6230.00 (WAUK WT01134) 230/115/13.2KV TRANSFORMER CKT 2	286.5	0.03064	102.8593	EDDY COUNTY INTERCHANGE - EDDY_NORTH 6230.00 230KV CKT @1
15G	06ALL	0	TO->FROM	G15_032_115	CIMARRON - MINCO 345KV CKT 1	953.6	0.21891	110.025	G14-057T 345.00 - SUNNYSIDE 345KV CKT 1
15G	06ALL	0	TO->FROM	G15_032_115	CIMARRON - MINCO 345KV CKT 1	953.6	0.21891	107.7808	G14-057T 345.00 - LAWTON EASTSIDE 345KV CKT 1
15SP	06ALL	0	TO->FROM	G15_032_115	CIMARRON - MINCO 345KV CKT 1	955.4	0.22168	102.8231	G14-057T 345.00 - SUNNYSIDE 345KV CKT 1
15WP	06ALL	0	TO->FROM	G15_032_115	CIMARRON - MINCO 345KV CKT 1	955.4	0.22168	102.8231	G14-057T 345.00 - SUNNYSIDE 345KV CKT 1
15SP	06ALL	0	TO->FROM	G15_032_115	CIMARRON - MINCO 345KV CKT 1	955.4	0.22168	100.5204	G14-057T 345.00 - LAWTON EASTSIDE 345KV CKT 1
15WP	06ALL	0	TO->FROM	G15_032_115	CIMARRON - MINCO 345KV CKT 1	955.4	0.22168	100.5204	G14-057T 345.00 - LAWTON EASTSIDE 345KV CKT 1
25SP	00NR	0	FROM->TO	G15_032_115	EDDY_NORTH 6230.00 (WAUK WT01134) 230/115/13.2KV TRANSFORMER CKT 2	285.3	0.03321	103.7375	EDDY COUNTY INTERCHANGE - EDDY_NORTH 6230.00 230KV CKT @1
25SP	00NR	0	FROM->TO	G15_032_115	EDDY_NORTH 6230.00 (WAUK WT01134) 230/115/13.2KV TRANSFORMER CKT 2	286.5	0.03321	103.1983	EDDY COUNTY INTERCHANGE - EDDY_NORTH 6230.00 230KV CKT @1
15G	06ALL	0	FROM->TO	G15_032_115	HAPPY INTERCHANGE - PALO DURO SUB 115KV CKT 1	250.9	1	107.6923	KRESS INTERCHANGE - TULIA TAP 115KV CKT 1
15G	06NR	0	FROM->TO	G15_032_115	HAPPY INTERCHANGE - PALO DURO SUB 115KV CKT 1	251	1	107.6892	KRESS INTERCHANGE - TULIA TAP 115KV CKT 1
15SP	00NR	0	FROM->TO	G15_032_115	HAPPY INTERCHANGE - PALO DURO SUB 115KV CKT 1	250.9	1	101.1558	KRESS INTERCHANGE - TULIA TAP 115KV CKT 1
15SP	06ALL	0	FROM->TO	G15_032_115	HAPPY INTERCHANGE - PALO DURO SUB 115KV CKT 1	250.8	1	101.0766	KRESS INTERCHANGE - TULIA TAP 115KV CKT 1
15WP	06ALL	0	FROM->TO	G15_032_115	HAPPY INTERCHANGE - PALO DURO SUB 115KV CKT 1	250.8	1	101.0766	KRESS INTERCHANGE - TULIA TAP 115KV CKT 1
15WP	00NR	0	FROM->TO	G15_032_115	HAPPY INTERCHANGE - PALO DURO SUB 115KV CKT 1	278	1	100.5396	KRESS INTERCHANGE - TULIA TAP 115KV CKT 1
20WP	00NR	0	FROM->TO	G15_032_115	HAPPY INTERCHANGE - PALO DURO SUB 115KV CKT 1	278	1	100.1798	KRESS INTERCHANGE - TULIA TAP 115KV CKT 1
15G	06NR	0	TO->FROM	G15_032_115	HAPPY INTERCHANGE - TULIA TAP 115KV CKT 1	250.9	1	117.776	KRESS INTERCHANGE - TULIA TAP 115KV CKT 1
15G	06ALL	0	TO->FROM	G15_032_115	HAPPY INTERCHANGE - TULIA TAP 115KV CKT 1	251	1	117.7291	KRESS INTERCHANGE - TULIA TAP 115KV CKT 1
25SP	00NR	0	TO->FROM	G15_032_115	HAPPY INTERCHANGE - TULIA TAP 115KV CKT 1	250.5	1	116.7665	KRESS INTERCHANGE - TULIA TAP 115KV CKT 1
25SP	06ALL	0	TO->FROM	G15_032_115	HAPPY INTERCHANGE - TULIA TAP 115KV CKT 1	250.9	1	116.5803	KRESS INTERCHANGE - TULIA TAP 115KV CKT 1
20SP	00NR	0	TO->FROM	G15_032_115	HAPPY INTERCHANGE - TULIA TAP 115KV CKT 1	250.8	1	116.4274	KRESS INTERCHANGE - TULIA TAP 115KV CKT 1
20SP	06ALL	0	TO->FROM	G15_032_115	HAPPY INTERCHANGE - TULIA TAP 115KV CKT 1	250.9	1	116.381	KRESS INTERCHANGE - TULIA TAP 115KV CKT 1
20WP	06ALL	0	TO->FROM	G15_032_115	HAPPY INTERCHANGE - TULIA TAP 115KV CKT 1	250.9	1	116.381	KRESS INTERCHANGE - TULIA TAP 115KV CKT 1
15SP	00NR	0	TO->FROM	G15_032_115	HAPPY INTERCHANGE - TULIA TAP 115KV CKT 1	250.9	1	116.1817	KRESS INTERCHANGE - TULIA TAP 115KV CKT 1
15SP	06ALL	0	TO->FROM	G15_032_115	HAPPY INTERCHANGE - TULIA TAP 115KV CKT 1	251	1	116.1355	KRESS INTERCHANGE - TULIA TAP 115KV CKT 1
15WP	06ALL	0	TO->FROM	G15_032_115	HAPPY INTERCHANGE - TULIA TAP 115KV CKT 1	251	1	116.1355	KRESS INTERCHANGE - TULIA TAP 115KV CKT 1
20WP	00NR	0	TO->FROM	G15_032_115	HAPPY INTERCHANGE - TULIA TAP 115KV CKT 1	278	1	106.1871	KRESS INTERCHANGE - TULIA TAP 115KV CKT 1
15WP	00NR	0	TO->FROM	G15_032_115	HAPPY INTERCHANGE - TULIA TAP 115KV CKT 1	278	1	106.1511	KRESS INTERCHANGE - TULIA TAP 115KV CKT 1
15G	06ALL	0	TO->FROM	G15_032_115	KRESS INTERCHANGE - TULIA TAP 115KV CKT 1	250.9	1	117.776	HAPPY INTERCHANGE - TULIA TAP 115KV CKT 1
15G	06NR	0	TO->FROM	G15_032_115	KRESS INTERCHANGE - TULIA TAP 115KV CKT 1	250.9	1	117.776	HAPPY INTERCHANGE - TULIA TAP 115KV CKT 1
25SP	00NR	0	TO->FROM	G15_032_115	KRESS INTERCHANGE - TULIA TAP 115KV CKT 1	250.2	1	116.9065	HAPPY INTERCHANGE - TULIA TAP 115KV CKT 1
25SP	06ALL	0	TO->FROM	G15_032_115	KRESS INTERCHANGE - TULIA TAP 115KV CKT 1	250.8	1	116.6268	HAPPY INTERCHANGE - TULIA TAP 115KV CKT 1
20SP	00NR	0	TO->FROM	G15_032_115	KRESS INTERCHANGE - TULIA TAP 115KV CKT 1	250.7	1	116.4739	HAPPY INTERCHANGE - TULIA TAP 115KV CKT 1
20SP	06ALL	0	TO->FROM	G15_032_115	KRESS INTERCHANGE - TULIA TAP 115KV CKT 1	250.8	1	116.4274	HAPPY INTERCHANGE - TULIA TAP 115KV CKT 1
20WP	06ALL	0	TO->FROM	G15_032_115	KRESS INTERCHANGE - TULIA TAP 115KV CKT 1	250.8	1	116.4274	HAPPY INTERCHANGE - TULIA TAP 115KV CKT 1
15SP	00NR	0	TO->FROM	G15_032_115	KRESS INTERCHANGE - TULIA TAP 115KV CKT 1	250.8	1	116.2281	HAPPY INTERCHANGE - TULIA TAP 115KV CKT 1
15SP	06ALL	0	TO->FROM	G15_032_115	KRESS INTERCHANGE - TULIA TAP 115KV CKT 1	250.9	1	116.1817	HAPPY INTERCHANGE - TULIA TAP 115KV CKT 1
15WP	06ALL	0	TO->FROM	G15_032_115	KRESS INTERCHANGE - TULIA TAP 115KV CKT 1	250.9	1	116.1817	HAPPY INTERCHANGE - TULIA TAP 115KV CKT 1
15G	06NR	0	TO->FROM	G15_032_115	KRESS INTERCHANGE - TULIA TAP 115KV CKT 1	250.9	1	107.7322	HAPPY INTERCHANGE - PALO DURO SUB 115KV CKT 1
15G	06NR	0	TO->FROM	G15_032_115	KRESS INTERCHANGE - TULIA TAP 115KV CKT 1	250.9	1	107.7322	SPP-SWPS-T66
15G	06ALL	0	TO->FROM	G15_032_115	KRESS INTERCHANGE - TULIA TAP 115KV CKT 1	250.9	1	107.6923	HAPPY INTERCHANGE - PALO DURO SUB 115KV CKT 1
15G	06ALL	0	TO->FROM	G15_032_115	KRESS INTERCHANGE - TULIA TAP 115KV CKT 1	250.9	1	107.6923	SPP-SWPS-T66
15G	06NR	0	TO->FROM	G15_032_115	KRESS INTERCHANGE - TULIA TAP 115KV CKT 1	250.9	1	107.1343	PALO DURO SUB - RANDALL COUNTY INTERCHANGE 115KV CKT 1
15G	06ALL	0	TO->FROM	G15_032_115	KRESS INTERCHANGE - TULIA TAP 115KV CKT 1	250.9	1	107.0945	PALO DURO SUB - RANDALL COUNTY INTERCHANGE 115KV CKT 1
20WP	00NR	0	TO->FROM	G15_032_115	KRESS INTERCHANGE - TULIA TAP 115KV CKT 1	278	1	106.1871	HAPPY INTERCHANGE - TULIA TAP 115KV CKT 1

SEASON	GROUP	SCENARIO	DIRECTION	SOURCE	MONITORED ELEMENT	RATE (MVA)	TDF	CONTINGENCY	
								LOADING %	CONTINGENCY
15WP	00NR	0	TO->FROM	G15_032_115	KRESS INTERCHANGE - TULIA TAP 115KV CKT 1	278	1	106.1511	HAPPY INTERCHANGE - TULIA TAP 115KV CKT 1
15SP	00NR	0	TO->FROM	G15_032_115	KRESS INTERCHANGE - TULIA TAP 115KV CKT 1	250.8	1	101.1962	HAPPY INTERCHANGE - PALO DURO SUB 115KV CKT 1
15SP	00NR	0	TO->FROM	G15_032_115	KRESS INTERCHANGE - TULIA TAP 115KV CKT 1	250.8	1	101.1962	SPP-SWPS-T66
15SP	06ALL	0	TO->FROM	G15_032_115	KRESS INTERCHANGE - TULIA TAP 115KV CKT 1	250.9	1	101.0363	HAPPY INTERCHANGE - PALO DURO SUB 115KV CKT 1
15SP	06ALL	0	TO->FROM	G15_032_115	KRESS INTERCHANGE - TULIA TAP 115KV CKT 1	250.9	1	101.0363	SPP-SWPS-T66
15WP	06ALL	0	TO->FROM	G15_032_115	KRESS INTERCHANGE - TULIA TAP 115KV CKT 1	250.9	1	101.0363	HAPPY INTERCHANGE - PALO DURO SUB 115KV CKT 1
15WP	06ALL	0	TO->FROM	G15_032_115	KRESS INTERCHANGE - TULIA TAP 115KV CKT 1	250.9	1	101.0363	SPP-SWPS-T66
15WP	00NR	0	TO->FROM	G15_032_115	KRESS INTERCHANGE - TULIA TAP 115KV CKT 1	278	1	100.5396	HAPPY INTERCHANGE - PALO DURO SUB 115KV CKT 1
15WP	00NR	0	TO->FROM	G15_032_115	KRESS INTERCHANGE - TULIA TAP 115KV CKT 1	278	1	100.5396	SPP-SWPS-T66
15SP	00NR	0	TO->FROM	G15_032_115	KRESS INTERCHANGE - TULIA TAP 115KV CKT 1	250.8	1	100.3987	PALO DURO SUB - RANDALL COUNTY INTERCHANGE 115KV CKT 1
20WP	00NR	0	TO->FROM	G15_032_115	KRESS INTERCHANGE - TULIA TAP 115KV CKT 1	278	1	100.1798	HAPPY INTERCHANGE - PALO DURO SUB 115KV CKT 1
20WP	00NR	0	TO->FROM	G15_032_115	KRESS INTERCHANGE - TULIA TAP 115KV CKT 1	278	1	100.1798	SPP-SWPS-T66
15SP	06ALL	0	TO->FROM	G15_032_115	KRESS INTERCHANGE - TULIA TAP 115KV CKT 1	250.9	1	100.1594	PALO DURO SUB - RANDALL COUNTY INTERCHANGE 115KV CKT 1
15WP	06ALL	0	TO->FROM	G15_032_115	KRESS INTERCHANGE - TULIA TAP 115KV CKT 1	250.9	1	100.1594	PALO DURO SUB - RANDALL COUNTY INTERCHANGE 115KV CKT 1
15G	06ALL	0	FROM->TO	G15_032_115	PALO DURO SUB - RANDALL COUNTY INTERCHANGE 115KV CKT 1	250.9	1	107.0945	KRESS INTERCHANGE - TULIA TAP 115KV CKT 1
15G	06NR	0	FROM->TO	G15_032_115	PALO DURO SUB - RANDALL COUNTY INTERCHANGE 115KV CKT 1	251	1	107.0916	KRESS INTERCHANGE - TULIA TAP 115KV CKT 1
15SP	00NR	0	FROM->TO	G15_032_115	PALO DURO SUB - RANDALL COUNTY INTERCHANGE 115KV CKT 1	250.9	1	100.3587	KRESS INTERCHANGE - TULIA TAP 115KV CKT 1
15SP	06ALL	0	FROM->TO	G15_032_115	PALO DURO SUB - RANDALL COUNTY INTERCHANGE 115KV CKT 1	250.7	1	100.2393	KRESS INTERCHANGE - TULIA TAP 115KV CKT 1
15WP	06ALL	0	FROM->TO	G15_032_115	PALO DURO SUB - RANDALL COUNTY INTERCHANGE 115KV CKT 1	250.7	1	100.2393	KRESS INTERCHANGE - TULIA TAP 115KV CKT 1
15G	06NR	0	FROM->TO	G15_032_115	SWISHER COUNTY INTERCHANGE (GE M101686) 230/115/13.2KV TRANSFORMER CKT 1	146.9	0.3932	102.7638	HAPPY INTERCHANGE - TULIA TAP 115KV CKT 1
15G	06NR	0	FROM->TO	G15_032_115	SWISHER COUNTY INTERCHANGE (GE M101686) 230/115/13.2KV TRANSFORMER CKT 1	147.1	0.3932	102.692	HAPPY INTERCHANGE - TULIA TAP 115KV CKT 1
15G	06ALL	2	TO->FROM	G15_032_115	CIMARRON - MINCO 345KV CKT 1	953.6	0.21694	109.8882	G14-057T 345.00 - SUNNYSIDE 345KV CKT 1
15G	06ALL	2	TO->FROM	G15_032_115	CIMARRON - MINCO 345KV CKT 1	953.6	0.21694	107.6441	G14-057T 345.00 - LAWTON EASTSIDE 345KV CKT 1
15SP	06ALL	2	TO->FROM	G15_032_115	CIMARRON - MINCO 345KV CKT 1	955.4	0.21981	102.6387	G14-057T 345.00 - SUNNYSIDE 345KV CKT 1
15WP	06ALL	2	TO->FROM	G15_032_115	CIMARRON - MINCO 345KV CKT 1	955.4	0.21981	102.6387	G14-057T 345.00 - SUNNYSIDE 345KV CKT 1
15SP	06ALL	2	TO->FROM	G15_032_115	CIMARRON - MINCO 345KV CKT 1	955.4	0.21981	100.336	G14-057T 345.00 - LAWTON EASTSIDE 345KV CKT 1
15WP	06ALL	2	TO->FROM	G15_032_115	CIMARRON - MINCO 345KV CKT 1	955.4	0.21981	100.336	G14-057T 345.00 - LAWTON EASTSIDE 345KV CKT 1
25SP	00NR	2	FROM->TO	G15_032_115	EDDY_NORTH 6230.00 (WAUK WT01134) 230/115/13.2KV TRANSFORMER CKT 2	285.3	0.03378	103.7273	EDDY COUNTY INTERCHANGE - EDDY_NORTH 6230.00 230KV CKT @1
25SP	00NR	2	FROM->TO	G15_032_115	EDDY_NORTH 6230.00 (WAUK WT01134) 230/115/13.2KV TRANSFORMER CKT 2	286.5	0.03378	103.1881	EDDY COUNTY INTERCHANGE - EDDY_NORTH 6230.00 230KV CKT @1
15G	06NR	2	TO->FROM	G15_032_115	MANHATTAN TAP - RANDALL COUNTY INTERCHANGE 115KV CKT 1	159.5	0.18612	101.7154	OSAGE SWITCHING STATION - RANDALL COUNTY INTERCHANGE 115KV CKT 1
15G	06NR	2	TO->FROM	G15_032_115	OSAGE SWITCHING STATION - RANDALL COUNTY INTERCHANGE 115KV CKT 1	159.6	0.18268	100.4411	MANHATTAN TAP - RANDALL COUNTY INTERCHANGE 115KV CKT 1
25SP	00NR	3	FROM->TO	G15_032_115	EDDY_NORTH 6230.00 (WAUK WT01134) 230/115/13.2KV TRANSFORMER CKT 2	285.3	0.03378	103.7273	EDDY COUNTY INTERCHANGE - EDDY_NORTH 6230.00 230KV CKT @1
25SP	00NR	3	FROM->TO	G15_032_115	EDDY_NORTH 6230.00 (WAUK WT01134) 230/115/13.2KV TRANSFORMER CKT 2	286.5	0.03378	103.1881	EDDY COUNTY INTERCHANGE - EDDY_NORTH 6230.00 230KV CKT @1

H: FCITC Analysis Constraints Not Requiring Transmission Reinforcement

SEASON	GROUP	SCENARIO	DIRECTION	SOURCE	MONITORED ELEMENT	RATE	CONTINGENCY		
						(MVA)	TDF	LOADING %	CONTINGENCY
20WP	06ALL		0	FROM->TO	G15_031_115 ANADARKO - CORN TAP 138KV CKT 1	142.8	0.01495	100.2129	CIMARRON - MINCO 345KV CKT 1
15G	06ALL		0	TO->FROM	G15_031_115 ANADARKO - GRACMNT4 138.00 138KV CKT 1	225.1	0.05424	127.6837	CIMARRON - MINCO 345KV CKT 1
15G	06ALL		0	TO->FROM	G15_031_115 ANADARKO - GRACMNT4 138.00 138KV CKT 1	225.1	0.05424	119.5095	GRACEMONT - MINCO 345KV CKT 1
15G	06ALL		0	TO->FROM	G15_031_115 ANADARKO - GRACMNT4 138.00 138KV CKT 1	225.1	0.03061	106.9853	SOUTHWESTERN STATION - WASHITA 138KV CKT 1
15SP	06ALL		0	FROM->TO	G15_031_115 BENTLEY4 138.00 - HALSTEAD SOUTH BUS 138KV CKT 1	142.2	0.00699	108.2771	RENO COUNTY - WICHITA 345KV CKT 1
15WP	06ALL		0	FROM->TO	G15_031_115 BENTLEY4 138.00 - HALSTEAD SOUTH BUS 138KV CKT 1	142.2	0.00699	108.2771	RENO COUNTY - WICHITA 345KV CKT 1
20SP	06ALL		0	FROM->TO	G15_031_115 BENTLEY4 138.00 - HALSTEAD SOUTH BUS 138KV CKT 1	142.2	0.00699	108.2771	RENO COUNTY - WICHITA 345KV CKT 1
20WP	06ALL		0	FROM->TO	G15_031_115 CLEARWATER - GILL ENERGY CENTER WEST 138KV CKT 1	142.2	0.01389	102.4191	GILL ENERGY CENTER SOUTH - VIOLA 4 138.00 138KV CKT 1
15SP	06ALL		0	TO->FROM	G15_031_115 CLINTON CITY - FOSS TAP 69KV CKT 1	74.5	0.00792	103.4094	CLINTON JUNCTION - CLINTON NATURAL GAS TAP 138KV CKT 1
15WP	06ALL		0	TO->FROM	G15_031_115 CLINTON CITY - FOSS TAP 69KV CKT 1	74.5	0.00792	103.4094	CLINTON JUNCTION - CLINTON NATURAL GAS TAP 138KV CKT 1
20SP	06ALL		0	TO->FROM	G15_031_115 CLINTON CITY - FOSS TAP 69KV CKT 1	74.5	0.00792	103.4094	CLINTON JUNCTION - CLINTON NATURAL GAS TAP 138KV CKT 1
15SP	06ALL		0	FROM->TO	G15_031_115 CLINTON CITY - THOMAS TAP 69KV CKT 1	38.9	0.00792	125.5527	CLINTON JUNCTION - CLINTON NATURAL GAS TAP 138KV CKT 1
15WP	06ALL		0	FROM->TO	G15_031_115 CLINTON CITY - THOMAS TAP 69KV CKT 1	38.9	0.00792	125.5527	CLINTON JUNCTION - CLINTON NATURAL GAS TAP 138KV CKT 1
20SP	06ALL		0	FROM->TO	G15_031_115 CLINTON CITY - THOMAS TAP 69KV CKT 1	38.9	0.00792	125.5527	CLINTON JUNCTION - CLINTON NATURAL GAS TAP 138KV CKT 1
20WP	06ALL		0	FROM->TO	G15_031_115 CLINTON CITY - THOMAS TAP 69KV CKT 1	39	0.00756	102.8974	CLINTON JUNCTION - CLINTON NATURAL GAS TAP 138KV CKT 1
15G	06ALL		0	FROM->TO	G15_031_115 CLINTON CITY - THOMAS TAP 69KV CKT 1	47.9	0.0077	101.0731	CLINTON JUNCTION - CLINTON NATURAL GAS TAP 138KV CKT 1
15SP	06ALL		0	TO->FROM	G15_031_115 CLINTON JUNCTION - ELK CITY 138KV CKT 1	148.8	0.04254	140.5726	CHISHOLM7 345.00 - GRACEMONT 345KV CKT 1
15WP	06ALL		0	TO->FROM	G15_031_115 CLINTON JUNCTION - ELK CITY 138KV CKT 1	148.8	0.04254	140.5726	CHISHOLM7 345.00 - GRACEMONT 345KV CKT 1
20SP	06ALL		0	TO->FROM	G15_031_115 CLINTON JUNCTION - ELK CITY 138KV CKT 1	148.8	0.04254	140.5726	CHISHOLM7 345.00 - GRACEMONT 345KV CKT 1
15G	06ALL		0	TO->FROM	G15_031_115 CLINTON JUNCTION - ELK CITY 138KV CKT 1	185.1	0.04112	124.0551	CHISHOLM7 345.00 - GRACEMONT 345KV CKT 1
15SP	06ALL		0	TO->FROM	G15_031_115 CLINTON JUNCTION - ELK CITY 138KV CKT 1	148.8	0.03623	122.8266	G14-074T 345.00 - OKLAUNION 345KV CKT 1
15WP	06ALL		0	TO->FROM	G15_031_115 CLINTON JUNCTION - ELK CITY 138KV CKT 1	148.8	0.03623	122.8266	G14-074T 345.00 - OKLAUNION 345KV CKT 1
20SP	06ALL		0	TO->FROM	G15_031_115 CLINTON JUNCTION - ELK CITY 138KV CKT 1	148.8	0.03623	122.8266	G14-074T 345.00 - OKLAUNION 345KV CKT 1
15SP	06ALL		0	TO->FROM	G15_031_115 CLINTON JUNCTION - ELK CITY 138KV CKT 1	148.8	0.02203	120.3078	ONEY - WASHITA 138KV CKT 1
15WP	06ALL		0	TO->FROM	G15_031_115 CLINTON JUNCTION - ELK CITY 138KV CKT 1	148.8	0.02203	120.3078	ONEY - WASHITA 138KV CKT 1
20SP	06ALL		0	TO->FROM	G15_031_115 CLINTON JUNCTION - ELK CITY 138KV CKT 1	148.8	0.02203	120.3078	ONEY - WASHITA 138KV CKT 1
15SP	06ALL		0	TO->FROM	G15_031_115 CLINTON JUNCTION - ELK CITY 138KV CKT 1	148.8	0.03623	118.7944	G14-074T 345.00 - TUCO INTERCHANGE 345KV CKT 1
15WP	06ALL		0	TO->FROM	G15_031_115 CLINTON JUNCTION - ELK CITY 138KV CKT 1	148.8	0.03623	118.7944	G14-074T 345.00 - TUCO INTERCHANGE 345KV CKT 1
20SP	06ALL		0	TO->FROM	G15_031_115 CLINTON JUNCTION - ELK CITY 138KV CKT 1	148.8	0.03623	118.7944	G14-074T 345.00 - TUCO INTERCHANGE 345KV CKT 1
15SP	06ALL		0	TO->FROM	G15_031_115 CLINTON JUNCTION - ELK CITY 138KV CKT 1	148.8	0.03246	118.0309	NORTHWEST - TATONGA7 345.00 345KV CKT 1
15WP	06ALL		0	TO->FROM	G15_031_115 CLINTON JUNCTION - ELK CITY 138KV CKT 1	148.8	0.03246	118.0309	NORTHWEST - TATONGA7 345.00 345KV CKT 1
20SP	06ALL		0	TO->FROM	G15_031_115 CLINTON JUNCTION - ELK CITY 138KV CKT 1	148.8	0.03246	118.0309	NORTHWEST - TATONGA7 345.00 345KV CKT 1
15SP	06ALL		0	TO->FROM	G15_031_115 CLINTON JUNCTION - ELK CITY 138KV CKT 1	148.8	0.02203	117.754	BINGER NIJECT - ONEY 138KV CKT 1
15WP	06ALL		0	TO->FROM	G15_031_115 CLINTON JUNCTION - ELK CITY 138KV CKT 1	148.8	0.02203	117.754	BINGER NIJECT - ONEY 138KV CKT 1
20SP	06ALL		0	TO->FROM	G15_031_115 CLINTON JUNCTION - ELK CITY 138KV CKT 1	148.8	0.02203	117.754	BINGER NIJECT - ONEY 138KV CKT 1
15SP	06ALL		0	TO->FROM	G15_031_115 CLINTON JUNCTION - ELK CITY 138KV CKT 1	148.8	0.03246	117.5605	SPSCont-05b
15WP	06ALL		0	TO->FROM	G15_031_115 CLINTON JUNCTION - ELK CITY 138KV CKT 1	148.8	0.03246	117.5605	SPSCont-05b
20SP	06ALL		0	TO->FROM	G15_031_115 CLINTON JUNCTION - ELK CITY 138KV CKT 1	148.8	0.03246	117.5605	SPSCont-05b
15SP	06ALL		0	TO->FROM	G15_031_115 CLINTON JUNCTION - ELK CITY 138KV CKT 1	148.8	0.03246	117.1573	SPSCont-04
15WP	06ALL		0	TO->FROM	G15_031_115 CLINTON JUNCTION - ELK CITY 138KV CKT 1	148.8	0.03246	117.1573	SPSCont-04
20SP	06ALL		0	TO->FROM	G15_031_115 CLINTON JUNCTION - ELK CITY 138KV CKT 1	148.8	0.03246	117.1573	SPSCont-04
15SP	06ALL		0	TO->FROM	G15_031_115 CLINTON JUNCTION - ELK CITY 138KV CKT 1	148.8	0.03306	116.9839	DBL-THIS-WWRD
15WP	06ALL		0	TO->FROM	G15_031_115 CLINTON JUNCTION - ELK CITY 138KV CKT 1	148.8	0.03306	116.9839	DBL-THIS-WWRD
20SP	06ALL		0	TO->FROM	G15_031_115 CLINTON JUNCTION - ELK CITY 138KV CKT 1	148.8	0.03306	116.9839	DBL-THIS-WWRD
15SP	06ALL		0	TO->FROM	G15_031_115 CLINTON JUNCTION - ELK CITY 138KV CKT 1	132.4	0.02859	116.0801	BASE CASE
15WP	06ALL		0	TO->FROM	G15_031_115 CLINTON JUNCTION - ELK CITY 138KV CKT 1	132.4	0.02859	116.0801	BASE CASE
20SP	06ALL		0	TO->FROM	G15_031_115 CLINTON JUNCTION - ELK CITY 138KV CKT 1	132.4	0.02859	116.0801	BASE CASE
15SP	06ALL		0	TO->FROM	G15_031_115 CLINTON JUNCTION - ELK CITY 138KV CKT 1	148.8	0.03244	115.5282	CLINTON AIR FORCE BASE TAP - ELK CITY 138KV CKT 1
15WP	06ALL		0	TO->FROM	G15_031_115 CLINTON JUNCTION - ELK CITY 138KV CKT 1	148.8	0.03244	115.5282	CLINTON AIR FORCE BASE TAP - ELK CITY 138KV CKT 1
20SP	06ALL		0	TO->FROM	G15_031_115 CLINTON JUNCTION - ELK CITY 138KV CKT 1	148.8	0.03244	115.5282	CLINTON AIR FORCE BASE TAP - ELK CITY 138KV CKT 1
15SP	06ALL		0	TO->FROM	G15_031_115 CLINTON JUNCTION - ELK CITY 138KV CKT 1	148.8	0.03552	115.3145	CHISHOLM7 345.00 - WOODWARD DISTRICT EHV 345KV CKT 1
15WP	06ALL		0	TO->FROM	G15_031_115 CLINTON JUNCTION - ELK CITY 138KV CKT 1	148.8	0.03552	115.3145	CHISHOLM7 345.00 - WOODWARD DISTRICT EHV 345KV CKT 1
20SP	06ALL		0	TO->FROM	G15_031_115 CLINTON JUNCTION - ELK CITY 138KV CKT 1	148.8	0.03552	115.3145	CHISHOLM7 345.00 - WOODWARD DISTRICT EHV 345KV CKT 1
15SP	06ALL		0	TO->FROM	G15_031_115 CLINTON JUNCTION - ELK CITY 138KV CKT 1	148.8	0.03244	114.6546	CLINTON AIR FORCE BASE TAP - HOBART JUNCTION 138KV CKT 1
15WP	06ALL		0	TO->FROM	G15_031_115 CLINTON JUNCTION - ELK CITY 138KV CKT 1	148.8	0.03244	114.6546	CLINTON AIR FORCE BASE TAP - HOBART JUNCTION 138KV CKT 1
20SP	06ALL		0	TO->FROM	G15_031_115 CLINTON JUNCTION - ELK CITY 138KV CKT 1	148.8	0.03244	114.6546	CLINTON AIR FORCE BASE TAP - HOBART JUNCTION 138KV CKT 1
15SP	06ALL		0	TO->FROM	G15_031_115 CLINTON JUNCTION - ELK CITY 138KV CKT 1	148.8	0.02203	113.5874	BINGER NIJECT - SICKLES 138KV CKT 1
15WP	06ALL		0	TO->FROM	G15_031_115 CLINTON JUNCTION - ELK CITY 138KV CKT 1	148.8	0.02203	113.5874	BINGER NIJECT - SICKLES 138KV CKT 1
20SP	06ALL		0	TO->FROM	G15_031_115 CLINTON JUNCTION - ELK CITY 138KV CKT 1	148.8	0.02203	113.5874	BINGER NIJECT - SICKLES 138KV CKT 1
15SP	06ALL		0	TO->FROM	G15_031_115 CLINTON JUNCTION - ELK CITY 138KV CKT 1	148.8	0.03246	113.461	G11_051T 345.00 - TATONGA7 345.00 345KV CKT 1
15WP	06ALL		0	TO->FROM	G15_031_115 CLINTON JUNCTION - ELK CITY 138KV CKT 1	148.8	0.03246	113.461	G11_051T 345.00 - TATONGA7 345.00 345KV CKT 1
20SP	06ALL		0	TO->FROM	G15_031_115 CLINTON JUNCTION - ELK CITY 138KV CKT 1	148.8	0.03246	113.461	G11_051T 345.00 - TATONGA7 345.00 345KV CKT 1
15SP	06ALL		0	TO->FROM	G15_031_115 CLINTON JUNCTION - ELK CITY 138KV CKT 1	148.8	0.02203	112.9825	CLINTON JUNCTION - G07-32T 138.00 138KV CKT 1
15WP	06ALL		0	TO->FROM	G15_031_115 CLINTON JUNCTION - ELK CITY 138KV CKT 1	148.8	0.02203	112.9825	CLINTON JUNCTION - G07-32T 138.00 138KV CKT 1
20SP	06ALL		0	TO->FROM	G15_031_115 CLINTON JUNCTION - ELK CITY 138KV CKT 1	148.8	0.02203	112.9825	CLINTON JUNCTION - G07-32T 138.00 138KV CKT 1

SEASON	GROUP	SCENARIO	DIRECTION	SOURCE	MONITORED ELEMENT	RATE (MVA)	CONTINGENCY		
							TDF	LOADING %	CONTINGENCY
15SP	06ALL	0	TO->FROM	G15_031_115	CLINTON JUNCTION - ELK CITY 138KV CKT 1	148.8	0.02859	112.8293	G07-32 138.00 - G07-32T 138.00 138KV CKT 1
15SP	06ALL	0	TO->FROM	G15_031_115	CLINTON JUNCTION - ELK CITY 138KV CKT 1	148.8	0.02859	112.8293	G07-32 138.00 138/34.5KV TRANSFORMER CKT 1
15SP	06ALL	0	TO->FROM	G15_031_115	CLINTON JUNCTION - ELK CITY 138KV CKT 1	148.8	0.02859	112.8293	G07-32 34.500 34.5/12.0KV TRANSFORMER CKT 1
15WP	06ALL	0	TO->FROM	G15_031_115	CLINTON JUNCTION - ELK CITY 138KV CKT 1	148.8	0.02859	112.8293	G07-32 138.00 - G07-32T 138.00 138KV CKT 1
15WP	06ALL	0	TO->FROM	G15_031_115	CLINTON JUNCTION - ELK CITY 138KV CKT 1	148.8	0.02859	112.8293	G07-32 138.00 138/34.5KV TRANSFORMER CKT 1
15WP	06ALL	0	TO->FROM	G15_031_115	CLINTON JUNCTION - ELK CITY 138KV CKT 1	148.8	0.02859	112.8293	G07-32 34.500 34.5/12.0KV TRANSFORMER CKT 1
20SP	06ALL	0	TO->FROM	G15_031_115	CLINTON JUNCTION - ELK CITY 138KV CKT 1	148.8	0.02859	112.8293	G07-32 138.00 - G07-32T 138.00 138KV CKT 1
20SP	06ALL	0	TO->FROM	G15_031_115	CLINTON JUNCTION - ELK CITY 138KV CKT 1	148.8	0.02859	112.8293	G07-32 138.00 138/34.5KV TRANSFORMER CKT 1
20SP	06ALL	0	TO->FROM	G15_031_115	CLINTON JUNCTION - ELK CITY 138KV CKT 1	148.8	0.02859	112.8293	G07-32 34.500 34.5/12.0KV TRANSFORMER CKT 1
15SP	06ALL	0	TO->FROM	G15_031_115	CLINTON JUNCTION - ELK CITY 138KV CKT 1	148.8	0.02859	111.418	WASHITA - WEATHERFORD WIND FARM 34 KV 34.5KV CKT 1
15WP	06ALL	0	TO->FROM	G15_031_115	CLINTON JUNCTION - ELK CITY 138KV CKT 1	148.8	0.02859	111.418	WASHITA - WEATHERFORD WIND FARM 34 KV 34.5KV CKT 1
20SP	06ALL	0	TO->FROM	G15_031_115	CLINTON JUNCTION - ELK CITY 138KV CKT 1	148.8	0.02859	111.418	WASHITA - WEATHERFORD WIND FARM 34 KV 34.5KV CKT 1
20WP	06ALL	0	TO->FROM	G15_031_115	CLINTON JUNCTION - ELK CITY 138KV CKT 1	151.1	0.0422	109.3766	CHISHOLM7 345.00 - GRACEMONT 345KV CKT 1
20WP	06ALL	0	TO->FROM	G15_031_115	CLINTON JUNCTION - ELK CITY 138KV CKT 1	151.1	0.02193	106.454	ONEY - WASHITA 138KV CKT 1
15G	06ALL	0	TO->FROM	G15_031_115	CLINTON JUNCTION - ELK CITY 138KV CKT 1	185.1	0.03495	105.7731	G14-074T 345.00 - OKLAUNION 345KV CKT 1
20WP	06ALL	0	TO->FROM	G15_031_115	CLINTON JUNCTION - ELK CITY 138KV CKT 1	151.1	0.02193	103.8729	BINGER NIJECT - ONEY 138KV CKT 1
15G	06ALL	0	TO->FROM	G15_031_115	CLINTON JUNCTION - ELK CITY 138KV CKT 1	185.1	0.03495	102.6396	G14-074T 345.00 - TUCCO INTERCHANGE 345KV CKT 1
15G	06ALL	0	TO->FROM	G15_031_115	CLINTON JUNCTION - ELK CITY 138KV CKT 1	185.1	0.0314	102.3198	NORTHWEST - TATONGA7 345.00 345KV CKT 1
15G	06ALL	0	TO->FROM	G15_031_115	CLINTON JUNCTION - ELK CITY 138KV CKT 1	185.1	0.0314	101.9416	SPSCont-05b
15G	06ALL	0	TO->FROM	G15_031_115	CLINTON JUNCTION - ELK CITY 138KV CKT 1	185.1	0.0314	101.6175	SPSCont-04
15G	06ALL	0	TO->FROM	G15_031_115	CLINTON JUNCTION - ELK CITY 138KV CKT 1	185.1	0.03123	101.5051	CLINTON AIR FORCE BASE TAP - ELK CITY 138KV CKT 1
15G	06ALL	0	TO->FROM	G15_031_115	CLINTON JUNCTION - ELK CITY 138KV CKT 1	185.1	0.03123	100.9109	CLINTON AIR FORCE BASE TAP - HOBART JUNCTION 138KV CKT 1
15G	06ALL	0	TO->FROM	G15_031_115	CLINTON JUNCTION - ELK CITY 138KV CKT 1	185.1	0.0344	100.2215	CHISHOLM7 345.00 - WOODWARD DISTRICT EHV 345KV CKT 1
15SP	06ALL	0	FROM->TO	G15_031_115	CLINTON JUNCTION - FOSS TAP 69KV CKT 1	74.7	0.00792	104.3373	CLINTON JUNCTION - CLINTON NATURAL GAS TAP 138KV CKT 1
15WP	06ALL	0	FROM->TO	G15_031_115	CLINTON JUNCTION - FOSS TAP 69KV CKT 1	74.7	0.00792	104.3373	CLINTON JUNCTION - CLINTON NATURAL GAS TAP 138KV CKT 1
20SP	06ALL	0	FROM->TO	G15_031_115	CLINTON JUNCTION - FOSS TAP 69KV CKT 1	74.7	0.00792	104.3373	CLINTON JUNCTION - CLINTON NATURAL GAS TAP 138KV CKT 1
15SP	06ALL	0	TO->FROM	G15_031_115	COMANCHE TAP - TOSCO 69KV CKT 1	39	0.00577	103.9128	G14-057T 345.00 - SUNNYSIDE 345KV CKT 1
15WP	06ALL	0	TO->FROM	G15_031_115	COMANCHE TAP - TOSCO 69KV CKT 1	39	0.00577	103.9128	G14-057T 345.00 - SUNNYSIDE 345KV CKT 1
20SP	06ALL	0	TO->FROM	G15_031_115	COMANCHE TAP - TOSCO 69KV CKT 1	39	0.00577	103.9128	G14-057T 345.00 - SUNNYSIDE 345KV CKT 1
15SP	06ALL	0	TO->FROM	G15_031_115	COMANCHE TAP - TOSCO 69KV CKT 1	39	0.00577	101.0923	G14-057T 345.00 - LAWTON EASTSIDE 345KV CKT 1
15WP	06ALL	0	TO->FROM	G15_031_115	COMANCHE TAP - TOSCO 69KV CKT 1	39	0.00577	101.0923	G14-057T 345.00 - LAWTON EASTSIDE 345KV CKT 1
20SP	06ALL	0	TO->FROM	G15_031_115	COMANCHE TAP - TOSCO 69KV CKT 1	39	0.00577	101.0923	G14-057T 345.00 - LAWTON EASTSIDE 345KV CKT 1
15SP	06ALL	0	FROM->TO	G15_031_115	DUNCAN - TOSCO 69KV CKT 1	38.9	0.00577	108.2931	G14-057T 345.00 - SUNNYSIDE 345KV CKT 1
15WP	06ALL	0	FROM->TO	G15_031_115	DUNCAN - TOSCO 69KV CKT 1	38.9	0.00577	108.2931	G14-057T 345.00 - SUNNYSIDE 345KV CKT 1
20SP	06ALL	0	FROM->TO	G15_031_115	DUNCAN - TOSCO 69KV CKT 1	38.9	0.00577	108.2931	G14-057T 345.00 - SUNNYSIDE 345KV CKT 1
15SP	06ALL	0	FROM->TO	G15_031_115	DUNCAN - TOSCO 69KV CKT 1	38.9	0.00577	105.7224	G14-057T 345.00 - LAWTON EASTSIDE 345KV CKT 1
15WP	06ALL	0	FROM->TO	G15_031_115	DUNCAN - TOSCO 69KV CKT 1	38.9	0.00577	105.7224	G14-057T 345.00 - LAWTON EASTSIDE 345KV CKT 1
20SP	06ALL	0	FROM->TO	G15_031_115	DUNCAN - TOSCO 69KV CKT 1	38.9	0.00577	105.7224	G14-057T 345.00 - LAWTON EASTSIDE 345KV CKT 1
15SP	06ALL	0	TO->FROM	G15_031_115	EARLSBORO 4138.00 - MAUD 138KV CKT 1	97.7	0.00726	106.0778	MAUD (MAUD1) 138/69/13.2KV TRANSFORMER CKT 1
15WP	06ALL	0	TO->FROM	G15_031_115	EARLSBORO 4138.00 - MAUD 138KV CKT 1	97.7	0.00726	106.0778	MAUD (MAUD1) 138/69/13.2KV TRANSFORMER CKT 1
20SP	06ALL	0	TO->FROM	G15_031_115	EARLSBORO 4138.00 - MAUD 138KV CKT 1	97.7	0.00726	106.0778	MAUD (MAUD1) 138/69/13.2KV TRANSFORMER CKT 1
15SP	06ALL	0	TO->FROM	G15_031_115	EARLSBORO 4138.00 - MAUD 138KV CKT 1	97.7	0.00706	101.042	CANADIAN RIVER - MCALESTER SOUTH 138KV CKT 1
15SP	06ALL	0	TO->FROM	G15_031_115	EARLSBORO 4138.00 - MAUD 138KV CKT 1	97.7	0.00697	101.042	PRINGLE INTERCHANGE - SPEARMAN INTERCHANGE 115KV CKT 2
15WP	06ALL	0	TO->FROM	G15_031_115	EARLSBORO 4138.00 - MAUD 138KV CKT 1	97.7	0.00706	101.042	CANADIAN RIVER - MCALESTER SOUTH 138KV CKT 1
15WP	06ALL	0	TO->FROM	G15_031_115	EARLSBORO 4138.00 - MAUD 138KV CKT 1	97.7	0.00697	101.042	PRINGLE INTERCHANGE - SPEARMAN INTERCHANGE 115KV CKT 2
20SP	06ALL	0	TO->FROM	G15_031_115	EARLSBORO 4138.00 - MAUD 138KV CKT 1	97.7	0.00706	101.042	CANADIAN RIVER - MCALESTER SOUTH 138KV CKT 1
20SP	06ALL	0	TO->FROM	G15_031_115	EARLSBORO 4138.00 - MAUD 138KV CKT 1	97.7	0.00697	101.042	PRINGLE INTERCHANGE - SPEARMAN INTERCHANGE 115KV CKT 2
25SP	06ALL	0	FROM->TO	G15_031_115	EDDY NORTH 6230.00 (WAUK WT01134) 230/115/13.2KV TRANSFORMER CKT 2	285	0.00585	105.0175	EDDY COUNTY INTERCHANGE - EDDY NORTH 6230.00 230KV CKT @1
25SP	06ALL	0	FROM->TO	G15_031_115	EDDY NORTH 6230.00 (WAUK WT01134) 230/115/13.2KV TRANSFORMER CKT 2	286.3	0.00585	104.4708	EDDY COUNTY INTERCHANGE - EDDY NORTH 6230.00 230KV CKT @1
15G	06ALL	0	FROM->TO	G15_031_115	ELDORADO - ELDORADO JCT 69KV CKT 1	26.9	0.00815	100.8401	LAKE PAULINE - RUSSELL 138KV CKT 1
15G	06ALL	0	FROM->TO	G15_031_115	ELK CITY 230KV (ELKCTY-6) 230/138/13.8KV TRANSFORMER CKT 1	446.9	0.0958	117.0598	CHISHOLM7 345.00 - GRACEMONT 345KV CKT 1
15SP	06ALL	0	FROM->TO	G15_031_115	ELK CITY 230KV (ELKCTY-6) 230/138/13.8KV TRANSFORMER CKT 1	446.4	0.10135	117.0408	CHISHOLM7 345.00 - GRACEMONT 345KV CKT 1
15WP	06ALL	0	FROM->TO	G15_031_115	ELK CITY 230KV (ELKCTY-6) 230/138/13.8KV TRANSFORMER CKT 1	446.4	0.10135	117.0408	CHISHOLM7 345.00 - GRACEMONT 345KV CKT 1
20SP	06ALL	0	FROM->TO	G15_031_115	ELK CITY 230KV (ELKCTY-6) 230/138/13.8KV TRANSFORMER CKT 1	446.4	0.10135	117.0408	CHISHOLM7 345.00 - GRACEMONT 345KV CKT 1
15G	06ALL	0	FROM->TO	G15_031_115	ELK CITY 230KV (ELKCTY-6) 230/138/13.8KV TRANSFORMER CKT 1	449.3	0.0958	116.5235	CHISHOLM7 345.00 - GRACEMONT 345KV CKT 1
15SP	06ALL	0	FROM->TO	G15_031_115	ELK CITY 230KV (ELKCTY-6) 230/138/13.8KV TRANSFORMER CKT 1	449.3	0.10135	116.3966	CHISHOLM7 345.00 - GRACEMONT 345KV CKT 1
15WP	06ALL	0	FROM->TO	G15_031_115	ELK CITY 230KV (ELKCTY-6) 230/138/13.8KV TRANSFORMER CKT 1	449.3	0.10135	116.3966	CHISHOLM7 345.00 - GRACEMONT 345KV CKT 1
20SP	06ALL	0	FROM->TO	G15_031_115	ELK CITY 230KV (ELKCTY-6) 230/138/13.8KV TRANSFORMER CKT 1	449.3	0.10135	116.3966	CHISHOLM7 345.00 - GRACEMONT 345KV CKT 1
15SP	06ALL	0	FROM->TO	G15_031_115	ELK CITY 230KV (ELKCTY-6) 230/138/13.8KV TRANSFORMER CKT 1	446.4	0.08716	103.6376	G14-074T 345.00 - OKLAUNION 345KV CKT 1
15WP	06ALL	0	FROM->TO	G15_031_115	ELK CITY 230KV (ELKCTY-6) 230/138/13.8KV TRANSFORMER CKT 1	446.4	0.08716	103.6376	G14-074T 345.00 - OKLAUNION 345KV CKT 1
20SP	06ALL	0	FROM->TO	G15_031_115	ELK CITY 230KV (ELKCTY-6) 230/138/13.8KV TRANSFORMER CKT 1	446.4	0.08716	103.6376	G14-074T 345.00 - OKLAUNION 345KV CKT 1
15SP	06ALL	0	FROM->TO	G15_031_115	ELK CITY 230KV (ELKCTY-6) 230/138/13.8KV TRANSFORMER CKT 1	449.3	0.08716	103.0799	G14-074T 345.00 - OKLAUNION 345KV CKT 1
15WP	06ALL	0	FROM->TO	G15_031_115	ELK CITY 230KV (ELKCTY-6) 230/138/13.8KV TRANSFORMER CKT 1	449.3	0.08716	103.0799	G14-074T 345.00 - OKLAUNION 345KV CKT 1
20SP	06ALL	0	FROM->TO	G15_031_115	ELK CITY 230KV (ELKCTY-6) 230/138/13.8KV TRANSFORMER CKT 1	449.3	0.08716	103.0799	G14-074T 345.00 - OKLAUNION 345KV CKT 1
15SP	06ALL	0	FROM->TO	G15_031_115	ELK CITY 230KV (ELKCTY-6) 230/138/13.8KV TRANSFORMER CKT 1	446.4	0.09317	101.8141	CHISHOLM7 345.00 - WOODWARD DISTRICT EHV 345KV CKT 1

SEASON	GROUP	SCENARIO	DIRECTION	SOURCE	MONITORED ELEMENT	RATE	CONTINGENCY		
						(MVA)	TDF	LOADING %	CONTINGENCY
15WP	06ALL		0 FROM->TO	G15_031_115	ELK CITY 230KV (ELKCTY-6) 230/138/13.8KV TRANSFORMER CKT 1	446.4	0.09317	101.8141	CHISHOLM7 345.00 - WOODWARD DISTRICT EHV 345KV CKT 1
20SP	06ALL		0 FROM->TO	G15_031_115	ELK CITY 230KV (ELKCTY-6) 230/138/13.8KV TRANSFORMER CKT 1	446.4	0.09317	101.8141	CHISHOLM7 345.00 - WOODWARD DISTRICT EHV 345KV CKT 1
15SP	06ALL		0 FROM->TO	G15_031_115	ELK CITY 230KV (ELKCTY-6) 230/138/13.8KV TRANSFORMER CKT 1	449.3	0.09317	101.2459	CHISHOLM7 345.00 - WOODWARD DISTRICT EHV 345KV CKT 1
15WP	06ALL		0 FROM->TO	G15_031_115	ELK CITY 230KV (ELKCTY-6) 230/138/13.8KV TRANSFORMER CKT 1	449.3	0.09317	101.2459	CHISHOLM7 345.00 - WOODWARD DISTRICT EHV 345KV CKT 1
20SP	06ALL		0 FROM->TO	G15_031_115	ELK CITY 230KV (ELKCTY-6) 230/138/13.8KV TRANSFORMER CKT 1	449.3	0.09317	101.2459	CHISHOLM7 345.00 - WOODWARD DISTRICT EHV 345KV CKT 1
15SP	06ALL		0 FROM->TO	G15_031_115	ELK CITY 230KV (ELKCTY-6) 230/138/13.8KV TRANSFORMER CKT 1	446.4	0.08716	100.1877	G14-074T 345.00 - TUCO INTERCHANGE 345KV CKT 1
15WP	06ALL		0 FROM->TO	G15_031_115	ELK CITY 230KV (ELKCTY-6) 230/138/13.8KV TRANSFORMER CKT 1	446.4	0.08716	100.1877	G14-074T 345.00 - TUCO INTERCHANGE 345KV CKT 1
20SP	06ALL		0 FROM->TO	G15_031_115	ELK CITY 230KV (ELKCTY-6) 230/138/13.8KV TRANSFORMER CKT 1	446.4	0.08716	100.1877	G14-074T 345.00 - TUCO INTERCHANGE 345KV CKT 1
15G	06ALL		0 FROM->TO	G15_031_115	FPL SWITCH - MOORELAND 138KV CKT 1	284.1	0.04532	119.1264	DBL-THIS-WWRD
15G	06ALL		0 FROM->TO	G15_031_115	FPL SWITCH - MOORELAND 138KV CKT 1	284.1	0.03684	111.6459	NORTHWEST - TATONGA7 345.00 345KV CKT 1
15G	06ALL		0 FROM->TO	G15_031_115	FPL SWITCH - MOORELAND 138KV CKT 1	284.1	0.03684	110.0971	SPSCont-04
15G	06ALL		0 FROM->TO	G15_031_115	FPL SWITCH - MOORELAND 138KV CKT 1	284.1	0.03684	109.8508	SPSCont-05b
15G	06ALL		0 FROM->TO	G15_031_115	FPL SWITCH - MOORELAND 138KV CKT 1	284.1	0.03664	108.3421	CHISHOLM6 230.00 - ELK CITY 230KV 230KV CKT 1
15G	06ALL		0 FROM->TO	G15_031_115	FPL SWITCH - MOORELAND 138KV CKT 1	284.1	0.03664	108.3421	ELK CITY 230KV (ELKCTY-6) 230/138/13.8KV TRANSFORMER CKT 1
15G	06ALL		0 FROM->TO	G15_031_115	FPL SWITCH - MOORELAND 138KV CKT 1	284.1	0.03684	104.6413	G11_051T 345.00 - TATONGA7 345.00 345KV CKT 1
15G	06ALL		0 FROM->TO	G15_031_115	FPL SWITCH - MOORELAND 138KV CKT 1	284.1	0.03684	103.8669	G11_051T 345.00 - WOODWARD DISTRICT EHV 345KV CKT 1
15G	06ALL		0 FROM->TO	G15_031_115	FPL SWITCH - MOORELAND 138KV CKT 1	284.1	0.03684	102.1774	SPSCont-05ax
15G	06ALL		0 FROM->TO	G15_031_115	FPL SWITCH - MOORELAND 138KV CKT 1	284.1	0.02808	102.0021	WOODWARD (WOODWRD2) 138/69/13.2KV TRANSFORMER CKT 1
15G	06ALL		0 TO->FROM	G15_031_115	FPL SWITCH - WOODWARD 138KV CKT 1	285.2	0.04532	112.2854	DBL-THIS-WWRD
15G	06ALL		0 TO->FROM	G15_031_115	FPL SWITCH - WOODWARD 138KV CKT 1	285.2	0.03684	104.8689	NORTHWEST - TATONGA7 345.00 345KV CKT 1
15G	06ALL		0 TO->FROM	G15_031_115	FPL SWITCH - WOODWARD 138KV CKT 1	285.2	0.03684	103.3261	SPSCont-04
15G	06ALL		0 TO->FROM	G15_031_115	FPL SWITCH - WOODWARD 138KV CKT 1	285.2	0.03684	103.0806	SPSCont-05b
15G	06ALL		0 TO->FROM	G15_031_115	FPL SWITCH - WOODWARD 138KV CKT 1	285.2	0.03664	101.5778	CHISHOLM6 230.00 - ELK CITY 230KV 230KV CKT 1
15G	06ALL		0 TO->FROM	G15_031_115	FPL SWITCH - WOODWARD 138KV CKT 1	285.2	0.03664	101.5778	ELK CITY 230KV (ELKCTY-6) 230/138/13.8KV TRANSFORMER CKT 1
15SP	06ALL		0 TO->FROM	G15_031_115	GLASS MOUNTAIN - MOORELAND 138KV CKT 1	122.3	0.02056	109.2265	DBL-THIS-WWRD
15WP	06ALL		0 TO->FROM	G15_031_115	GLASS MOUNTAIN - MOORELAND 138KV CKT 1	122.3	0.02056	109.2265	DBL-THIS-WWRD
20SP	06ALL		0 TO->FROM	G15_031_115	GLASS MOUNTAIN - MOORELAND 138KV CKT 1	122.3	0.02056	109.2265	DBL-THIS-WWRD
15SP	06ALL		0 TO->FROM	G15_031_115	GLASS MOUNTAIN - MOORELAND 138KV CKT 1	122.3	0.0158	100.5135	MOORELAND - NOEL_SW 138.00 138KV CKT 1
15WP	06ALL		0 TO->FROM	G15_031_115	GLASS MOUNTAIN - MOORELAND 138KV CKT 1	122.3	0.0158	100.5135	MOORELAND - NOEL_SW 138.00 138KV CKT 1
20SP	06ALL		0 TO->FROM	G15_031_115	GLASS MOUNTAIN - MOORELAND 138KV CKT 1	122.3	0.0158	100.5135	MOORELAND - NOEL_SW 138.00 138KV CKT 1
15G	06ALL		0 FROM->TO	G15_031_115	Harrington Station East Bus - POTTER COUNTY INTERCHANGE 230KV CKT 1	346.8	0.05049	106.7238	CHERRY1 - HARRINGTON STATION 230KV CKT 1
15G	06ALL		0 FROM->TO	G15_031_115	Harrington Station East Bus - POTTER COUNTY INTERCHANGE 230KV CKT 1	346.8	0.06008	102.9844	CHERRY1 - POTTER COUNTY INTERCHANGE 230KV CKT 1
15G	06ALL		0 TO->FROM	G15_031_115	HAYS PLANT - SOUTH HAYS 115KV CKT 1	98.9	0.00598	115.3873	KNOLL 230 - POSTROCK6 230.00 230KV CKT 1
15SP	06ALL		0 FROM->TO	G15_031_115	HAYS PLANT - VINE STREET 115KV CKT 1	88	0.00574	116.8955	KNOLL 230 - POSTROCK6 230.00 230KV CKT 1
15WP	06ALL		0 FROM->TO	G15_031_115	HAYS PLANT - VINE STREET 115KV CKT 1	88	0.00574	116.8955	KNOLL 230 - POSTROCK6 230.00 230KV CKT 1
20SP	06ALL		0 FROM->TO	G15_031_115	HAYS PLANT - VINE STREET 115KV CKT 1	88	0.00574	116.8955	KNOLL 230 - POSTROCK6 230.00 230KV CKT 1
15G	06ALL		0 FROM->TO	G15_031_115	HAYS PLANT - VINE STREET 115KV CKT 1	87.9	0.00598	105.9363	KNOLL 230 - POSTROCK6 230.00 230KV CKT 1
15SP	06ALL		0 FROM->TO	G15_031_115	JERICO (JERIC2WT) 115/69/14.4KV TRANSFORMER CKT 1	45.6	0.00654	106.6974	KIRBY SWITCHING STATION - MCCLELLAN SUB 115KV CKT 1
15WP	06ALL		0 FROM->TO	G15_031_115	JERICO (JERIC2WT) 115/69/14.4KV TRANSFORMER CKT 1	45.6	0.00654	106.6974	KIRBY SWITCHING STATION - MCCLELLAN SUB 115KV CKT 1
20SP	06ALL		0 FROM->TO	G15_031_115	JERICO (JERIC2WT) 115/69/14.4KV TRANSFORMER CKT 1	45.6	0.00654	106.6974	KIRBY SWITCHING STATION - MCCLELLAN SUB 115KV CKT 1
15SP	06ALL		0 FROM->TO	G15_031_115	JERICO (JERIC2WT) 115/69/14.4KV TRANSFORMER CKT 1	45.9	0.00654	106	KIRBY SWITCHING STATION - MCCLELLAN SUB 115KV CKT 1
15WP	06ALL		0 FROM->TO	G15_031_115	JERICO (JERIC2WT) 115/69/14.4KV TRANSFORMER CKT 1	45.9	0.00654	106	KIRBY SWITCHING STATION - MCCLELLAN SUB 115KV CKT 1
20SP	06ALL		0 FROM->TO	G15_031_115	JERICO (JERIC2WT) 115/69/14.4KV TRANSFORMER CKT 1	45.9	0.00654	106	KIRBY SWITCHING STATION - MCCLELLAN SUB 115KV CKT 1
15SP	06ALL		0 FROM->TO	G15_031_115	JERICO (JERIC2WT) 115/69/14.4KV TRANSFORMER CKT 1	45.6	0.00654	105.3816	MCCLELLAN SUB - MCLEAN RURAL SUB 115KV CKT 1
15WP	06ALL		0 FROM->TO	G15_031_115	JERICO (JERIC2WT) 115/69/14.4KV TRANSFORMER CKT 1	45.6	0.00654	105.3816	MCCLELLAN SUB - MCLEAN RURAL SUB 115KV CKT 1
20SP	06ALL		0 FROM->TO	G15_031_115	JERICO (JERIC2WT) 115/69/14.4KV TRANSFORMER CKT 1	45.6	0.00654	105.3816	MCCLELLAN SUB - MCLEAN RURAL SUB 115KV CKT 1
15SP	06ALL		0 FROM->TO	G15_031_115	JERICO (JERIC2WT) 115/69/14.4KV TRANSFORMER CKT 1	45.9	0.00654	104.6928	MCCLELLAN SUB - MCLEAN RURAL SUB 115KV CKT 1
15WP	06ALL		0 FROM->TO	G15_031_115	JERICO (JERIC2WT) 115/69/14.4KV TRANSFORMER CKT 1	45.9	0.00654	104.6928	MCCLELLAN SUB - MCLEAN RURAL SUB 115KV CKT 1
20SP	06ALL		0 FROM->TO	G15_031_115	JERICO (JERIC2WT) 115/69/14.4KV TRANSFORMER CKT 1	45.9	0.00654	104.6928	MCCLELLAN SUB - MCLEAN RURAL SUB 115KV CKT 1
15G	06ALL		0 FROM->TO	G15_031_115	JERICO (JERIC2WT) 115/69/14.4KV TRANSFORMER CKT 1	45.7	0.0066	101.7287	KIRBY SWITCHING STATION - MCCLELLAN SUB 115KV CKT 1
15SP	06ALL		0 FROM->TO	G15_031_115	JERICO (JERIC2WT) 115/69/14.4KV TRANSFORMER CKT 1	45.6	0.00654	101.6535	SPP-SWPS-T54
15WP	06ALL		0 FROM->TO	G15_031_115	JERICO (JERIC2WT) 115/69/14.4KV TRANSFORMER CKT 1	45.6	0.00654	101.6535	SPP-SWPS-T54
20SP	06ALL		0 FROM->TO	G15_031_115	JERICO (JERIC2WT) 115/69/14.4KV TRANSFORMER CKT 1	45.6	0.00654	101.6535	SPP-SWPS-T54
15G	06ALL		0 FROM->TO	G15_031_115	JERICO (JERIC2WT) 115/69/14.4KV TRANSFORMER CKT 1	45.9	0.0066	101.2854	KIRBY SWITCHING STATION - MCCLELLAN SUB 115KV CKT 1
15SP	06ALL		0 FROM->TO	G15_031_115	JERICO (JERIC2WT) 115/69/14.4KV TRANSFORMER CKT 1	45.9	0.00654	100.9891	SPP-SWPS-T54
15WP	06ALL		0 FROM->TO	G15_031_115	JERICO (JERIC2WT) 115/69/14.4KV TRANSFORMER CKT 1	45.9	0.00654	100.9891	SPP-SWPS-T54
20SP	06ALL		0 FROM->TO	G15_031_115	JERICO (JERIC2WT) 115/69/14.4KV TRANSFORMER CKT 1	45.9	0.00654	100.9891	SPP-SWPS-T54
15G	06ALL		0 FROM->TO	G15_031_115	JERICO (JERIC2WT) 115/69/14.4KV TRANSFORMER CKT 1	45.7	0.0066	100.4158	MCCLELLAN SUB - MCLEAN RURAL SUB 115KV CKT 1
15SP	06ALL		0 FROM->TO	G15_031_115	JERICO (JERIC2WT) 115/69/14.4KV TRANSFORMER CKT 1	45.6	0.00654	100.1184	MCLEAN RURAL SUB - SHAMROCK 115KV CKT 1
15WP	06ALL		0 FROM->TO	G15_031_115	JERICO (JERIC2WT) 115/69/14.4KV TRANSFORMER CKT 1	45.6	0.00654	100.1184	MCLEAN RURAL SUB - SHAMROCK 115KV CKT 1
20SP	06ALL		0 FROM->TO	G15_031_115	JERICO (JERIC2WT) 115/69/14.4KV TRANSFORMER CKT 1	45.6	0.00654	100.1184	MCLEAN RURAL SUB - SHAMROCK 115KV CKT 1
25SP	00NR		0 TO->FROM	G15_031_115	LUBBOCK POWER & LIGHT-CO-OP - LUBBOCK POWER & LIGHT-SLATON 69KV CKT 1	53.5	0.00709	154.443	LUBBOCK POWER & LIGHT-CO-OP - LUBBOCK POWER & LIGHT-WADSWORTH 69KV CKT 1
20SP	00NR		0 TO->FROM	G15_031_115	LUBBOCK POWER & LIGHT-CO-OP - LUBBOCK POWER & LIGHT-SLATON 69KV CKT 1	53.6	0.00985	138.3489	LUBBOCK POWER & LIGHT-CO-OP - LUBBOCK POWER & LIGHT-WADSWORTH 69KV CKT 1
15SP	00NR		0 TO->FROM	G15_031_115	LUBBOCK POWER & LIGHT-CO-OP - LUBBOCK POWER & LIGHT-SLATON 69KV CKT 1	53.9	0.00959	115.3562	LUBBOCK POWER & LIGHT-CO-OP - LUBBOCK POWER & LIGHT-WADSWORTH 69KV CKT 1
20WP	00NR		0 TO->FROM	G15_031_115	LUBBOCK POWER & LIGHT-CO-OP - LUBBOCK POWER & LIGHT-SLATON 69KV CKT 1	53.9	0.01605	105.5937	LUBBOCK POWER & LIGHT-CO-OP - LUBBOCK POWER & LIGHT-WADSWORTH 69KV CKT 1

SEASON	GROUP	SCENARIO	DIRECTION	SOURCE	MONITORED ELEMENT	RATE (MVA)	TDF	CONTINGENCY LOADING %	CONTINGENCY	
25SP	00NR		0	TO->FROM	G15_031_115	LUBBOCK POWER & LIGHT-CO-OP - LUBBOCK POWER & LIGHT-WADSWORTH 69KV CKT 1	105.6	0.00721	126.8589	BASE CASE
25SP	00NR		0	TO->FROM	G15_031_115	LUBBOCK POWER & LIGHT-CO-OP - LUBBOCK POWER & LIGHT-WADSWORTH 69KV CKT 1	141.2	0.00872	125.5071	LUBBOCK POWER & LIGHT-SLATON - LUBBOCK POWER & LIGHT-SOUTHEAST 69KV CKT 1
25SP	00NR		0	TO->FROM	G15_031_115	LUBBOCK POWER & LIGHT-CO-OP - LUBBOCK POWER & LIGHT-WADSWORTH 69KV CKT 1	141.2	0.00951	116.0432	LUBBOCK POWER & LIGHT-SOUTHEAST - LUBBOCK SOUTH INTERCHANGE 230KV CKT 1
25SP	00NR		0	TO->FROM	G15_031_115	LUBBOCK POWER & LIGHT-CO-OP - LUBBOCK POWER & LIGHT-WADSWORTH 69KV CKT 1	141.2	0.00901	114.3081	LUBBOCK POWER & LIGHT-HOLLY GEN - LUBBOCK POWER & LIGHT-NORTHEAST 69KV CKT 1
20SP	00NR		0	TO->FROM	G15_031_115	LUBBOCK POWER & LIGHT-CO-OP - LUBBOCK POWER & LIGHT-WADSWORTH 69KV CKT 1	108	0.00987	113.6676	BASE CASE
20SP	00NR		0	TO->FROM	G15_031_115	LUBBOCK POWER & LIGHT-CO-OP - LUBBOCK POWER & LIGHT-WADSWORTH 69KV CKT 1	143	0.01188	113.4014	LUBBOCK POWER & LIGHT-SLATON - LUBBOCK POWER & LIGHT-SOUTHEAST 69KV CKT 1
25SP	00NR		0	TO->FROM	G15_031_115	LUBBOCK POWER & LIGHT-CO-OP - LUBBOCK POWER & LIGHT-WADSWORTH 69KV CKT 1	141.2	0.00916	111.0822	CARLISLE INTERCHANGE - LUBBOCK POWER & LIGHT-MILWAUKEE 230KV CKT 1
25SP	00NR		0	TO->FROM	G15_031_115	LUBBOCK POWER & LIGHT-CO-OP - LUBBOCK POWER & LIGHT-WADSWORTH 69KV CKT 1	141.2	0.00916	111.0113	LUBBOCK POWER & LIGHT-MILWAUKEE (M-E C0681251) 230/69/13.5KV TRANSFORMER CKT
25SP	00NR		0	TO->FROM	G15_031_115	LUBBOCK POWER & LIGHT-CO-OP - LUBBOCK POWER & LIGHT-WADSWORTH 69KV CKT 1	141.2	0.00916	111.0113	SPP-SWPS-K39
15SP	00NR		0	TO->FROM	G15_031_115	LUBBOCK POWER & LIGHT-CO-OP - LUBBOCK POWER & LIGHT-WADSWORTH 69KV CKT 1	108	0.01067	109.7232	BASE CASE
25SP	00NR		0	TO->FROM	G15_031_115	LUBBOCK POWER & LIGHT-CO-OP - LUBBOCK POWER & LIGHT-WADSWORTH 69KV CKT 1	141.2	0.00748	108.813	LUBBOCK POWER & LIGHT-OLIVER - LUBBOCK POWER & LIGHT-SOUTHEAST 69KV CKT 1
15SP	00NR		0	TO->FROM	G15_031_115	LUBBOCK POWER & LIGHT-CO-OP - LUBBOCK POWER & LIGHT-WADSWORTH 69KV CKT 1	143	0.01222	104.5916	LUBBOCK POWER & LIGHT-SLATON - LUBBOCK POWER & LIGHT-SOUTHEAST 69KV CKT 1
25SP	00NR		0	TO->FROM	G15_031_115	LUBBOCK POWER & LIGHT-CO-OP - LUBBOCK POWER & LIGHT-WADSWORTH 69KV CKT 1	141.2	0.00901	103.4724	LUBBOCK POWER & LIGHT-MACKENZIE GEN - LUBBOCK POWER & LIGHT-NORTHEAST 69KV
20SP	00NR		0	TO->FROM	G15_031_115	LUBBOCK POWER & LIGHT-CO-OP - LUBBOCK POWER & LIGHT-WADSWORTH 69KV CKT 1	143	0.0122	103.3986	LUBBOCK POWER & LIGHT-HOLLY GEN - LUBBOCK POWER & LIGHT-NORTHEAST 69KV CKT 1
20SP	00NR		0	TO->FROM	G15_031_115	LUBBOCK POWER & LIGHT-CO-OP - LUBBOCK POWER & LIGHT-WADSWORTH 69KV CKT 1	143	0.01358	103.3385	LUBBOCK POWER & LIGHT-SOUTHEAST - LUBBOCK SOUTH INTERCHANGE 230KV CKT 1
25SP	00NR		0	TO->FROM	G15_031_115	LUBBOCK POWER & LIGHT-CO-OP - LUBBOCK POWER & LIGHT-WADSWORTH 69KV CKT 1	141.2	0.00807	102.7769	LUBBOCK POWER & LIGHT-SOUTHEAST (ABB 60258) 230/69/13.5KV TRANSFORMER CKT 1
25SP	00NR		0	TO->FROM	G15_031_115	LUBBOCK POWER & LIGHT-CO-OP - LUBBOCK POWER & LIGHT-WADSWORTH 69KV CKT 1	141.2	0.00802	102.2705	LUBBOCK POWER & LIGHT-SOUTHEAST (FRM WADSWRTH) 230/69/13.5KV TRANSFORMER
25SP	00NR		0	TO->FROM	G15_031_115	LUBBOCK POWER & LIGHT-CO-OP - LUBBOCK POWER & LIGHT-WADSWORTH 69KV CKT 1	141.2	0.00756	101.6062	LUBBOCK POWER & LIGHT-CHALKER - LUBBOCK POWER & LIGHT-THOMPSON 69KV CKT 1
25SP	00NR		0	TO->FROM	G15_031_115	LUBBOCK POWER & LIGHT-CO-OP - LUBBOCK POWER & LIGHT-WADSWORTH 69KV CKT 1	141.2	0.00664	100.915	LUBBOCK POWER & LIGHT-HOLLY GEN - LUBBOCK POWER & LIGHT-SOUTHEAST 69KV CKT 1
25SP	00NR		0	TO->FROM	G15_031_115	LUBBOCK POWER & LIGHT-CO-OP - LUBBOCK POWER & LIGHT-WADSWORTH 69KV CKT 1	141.2	0.00748	100.5269	LUBBOCK POWER & LIGHT-CHALKER - LUBBOCK POWER & LIGHT-OLIVER 69KV CKT 1
25SP	00NR		0	TO->FROM	G15_031_115	LUBBOCK POWER & LIGHT-SLATON - LUBBOCK POWER & LIGHT-SOUTHEAST 69KV CKT 1	143	0.00735	121.1923	LUBBOCK POWER & LIGHT-CO-OP - LUBBOCK POWER & LIGHT-WADSWORTH 69KV CKT 1
20SP	00NR		0	TO->FROM	G15_031_115	LUBBOCK POWER & LIGHT-SLATON - LUBBOCK POWER & LIGHT-SOUTHEAST 69KV CKT 1	142.8	0.00992	110.8373	LUBBOCK POWER & LIGHT-CO-OP - LUBBOCK POWER & LIGHT-WADSWORTH 69KV CKT 1
20SP	00NR		0	TO->FROM	G15_031_115	LUBBOCK POWER & LIGHT-SLATON - LUBBOCK POWER & LIGHT-SOUTHEAST 69KV CKT 1	142.8	0.00594	109.021	LUBBOCK POWER & LIGHT-OLIVER - LUBBOCK POWER & LIGHT-SOUTHEAST 69KV CKT 1
20WP	06ALL		0	TO->FROM	G15_031_115	NORGE ROAD - SOUTHWESTERN STATION 138KV CKT 1	135.7	0.01123	110.7561	SOUTHWESTERN STATION - VERDEN 138KV CKT 1
20WP	06ALL		0	TO->FROM	G15_031_115	NORGE ROAD - SOUTHWESTERN STATION 138KV CKT 1	135.7	0.01123	109.2822	NORTH 29TH CHICKASHA - VERDEN 138KV CKT 1
20WP	06ALL		0	TO->FROM	G15_031_115	NORGE ROAD - SOUTHWESTERN STATION 138KV CKT 1	135.7	0.01608	106.4672	CIMARRON - MINCO 345KV CKT 1
20WP	06ALL		0	TO->FROM	G15_031_115	NORGE ROAD - SOUTHWESTERN STATION 138KV CKT 1	135.7	0.01123	106.2609	CORNVILLE - NORTH 29TH CHICKASHA 138KV CKT 1
20WP	06ALL		0	TO->FROM	G15_031_115	NORGE ROAD - SOUTHWESTERN STATION 138KV CKT 1	135.7	0.0104	104.1253	ANADARKO - CORN TAP 138KV CKT 1
20WP	06ALL		0	TO->FROM	G15_031_115	NORGE ROAD - SOUTHWESTERN STATION 138KV CKT 1	135.7	0.01608	102.93	GRACEMONT - MINCO 345KV CKT 1
25SP	06ALL		0	TO->FROM	G15_031_115	NORGE ROAD - SOUTHWESTERN STATION 138KV CKT 1	135.8	0.01079	100.0972	SOUTHWESTERN STATION - VERDEN 138KV CKT 1
15SP	06ALL		0	FROM->TO	G15_031_115	PRINGLE INTERCHANGE - SPEARMAN INTERCHANGE 115KV CKT 1	159.7	0.03615	103.4728	PRINGLE INTERCHANGE - SPEARMAN INTERCHANGE 115KV CKT 2
15WP	06ALL		0	FROM->TO	G15_031_115	PRINGLE INTERCHANGE - SPEARMAN INTERCHANGE 115KV CKT 1	159.7	0.03615	103.4728	PRINGLE INTERCHANGE - SPEARMAN INTERCHANGE 115KV CKT 2
20SP	06ALL		0	FROM->TO	G15_031_115	PRINGLE INTERCHANGE - SPEARMAN INTERCHANGE 115KV CKT 1	159.7	0.03615	103.4728	PRINGLE INTERCHANGE - SPEARMAN INTERCHANGE 115KV CKT 2
15G	06ALL		0	FROM->TO	G15_031_115	PRINGLE INTERCHANGE - SPEARMAN INTERCHANGE 115KV CKT 1	158.4	0.03486	102.2588	PRINGLE INTERCHANGE - SPEARMAN INTERCHANGE 115KV CKT 2
15G	06ALL		0	FROM->TO	G15_031_115	SHAMROCK (SHAMRCK1) 115/69/14.4KV TRANSFORMER CKT 1	66	0.01321	105.3	CHISHOLM6 230.00 - SWEETWATER 230KV CKT 1
15G	06ALL		0	FROM->TO	G15_031_115	SHAMROCK (SHAMRCK1) 115/69/14.4KV TRANSFORMER CKT 1	66	0.01202	104.9485	HWRDWCK2 69.000 - JERICHO 69KV CKT 1
15G	06ALL		0	FROM->TO	G15_031_115	SHAMROCK (SHAMRCK1) 115/69/14.4KV TRANSFORMER CKT 1	66	0.01202	104.9485	JERICHO - KIRBY SWITCHING STATION 115KV CKT 1
15G	06ALL		0	FROM->TO	G15_031_115	SHAMROCK (SHAMRCK1) 115/69/14.4KV TRANSFORMER CKT 1	66	0.01202	104.9485	JERICHO (JERIC2WT) 115/69/14.4KV TRANSFORMER CKT 1
15G	06ALL		0	FROM->TO	G15_031_115	SHAMROCK (SHAMRCK1) 115/69/14.4KV TRANSFORMER CKT 1	66	0.01202	104.1909	CLARENDON - HWRDWCK2 69.000 69KV CKT 1
15G	06ALL		0	FROM->TO	G15_031_115	SHAMROCK (SHAMRCK1) 115/69/14.4KV TRANSFORMER CKT 1	66	0.01311	103.897	G14-074T 345.00 - OKLAUNION 345KV CKT 1
15G	06ALL		0	FROM->TO	G15_031_115	SHAMROCK (SHAMRCK1) 115/69/14.4KV TRANSFORMER CKT 1	67.1	0.01321	103.7228	CHISHOLM6 230.00 - SWEETWATER 230KV CKT 1
15G	06ALL		0	FROM->TO	G15_031_115	SHAMROCK (SHAMRCK1) 115/69/14.4KV TRANSFORMER CKT 1	67.1	0.01202	103.377	HWRDWCK2 69.000 - JERICHO 69KV CKT 1
15G	06ALL		0	FROM->TO	G15_031_115	SHAMROCK (SHAMRCK1) 115/69/14.4KV TRANSFORMER CKT 1	67.1	0.01202	103.377	JERICHO - KIRBY SWITCHING STATION 115KV CKT 1
15G	06ALL		0	FROM->TO	G15_031_115	SHAMROCK (SHAMRCK1) 115/69/14.4KV TRANSFORMER CKT 1	67.1	0.01202	103.377	JERICHO (JERIC2WT) 115/69/14.4KV TRANSFORMER CKT 1
15G	06ALL		0	FROM->TO	G15_031_115	SHAMROCK (SHAMRCK1) 115/69/14.4KV TRANSFORMER CKT 1	66	0.01321	103.0273	GRAPEVINE INTERCHANGE - STATELINE INTERCHANGE 230KV CKT 1
15G	06ALL		0	FROM->TO	G15_031_115	SHAMROCK (SHAMRCK1) 115/69/14.4KV TRANSFORMER CKT 1	66	0.0122	102.6788	CHISHOLM6 230.00 - ELK CITY 230KV 230KV CKT 1
15G	06ALL		0	FROM->TO	G15_031_115	SHAMROCK (SHAMRCK1) 115/69/14.4KV TRANSFORMER CKT 1	66	0.0122	102.6788	ELK CITY 230KV (ELKCTY-6) 230/138/13.8KV TRANSFORMER CKT 1
15G	06ALL		0	FROM->TO	G15_031_115	SHAMROCK (SHAMRCK1) 115/69/14.4KV TRANSFORMER CKT 1	67.1	0.01202	102.6319	CLARENDON - HWRDWCK2 69.000 69KV CKT 1
15G	06ALL		0	FROM->TO	G15_031_115	SHAMROCK (SHAMRCK1) 115/69/14.4KV TRANSFORMER CKT 1	66	0.01258	102.5788	CHISHOLM7 345.00 - GRACEMONT 345KV CKT 1
15G	06ALL		0	FROM->TO	G15_031_115	SHAMROCK (SHAMRCK1) 115/69/14.4KV TRANSFORMER CKT 1	67.1	0.01311	102.4918	G14-074T 345.00 - OKLAUNION 345KV CKT 1
15G	06ALL		0	FROM->TO	G15_031_115	SHAMROCK (SHAMRCK1) 115/69/14.4KV TRANSFORMER CKT 1	67.1	0.01321	101.4873	GRAPEVINE INTERCHANGE - STATELINE INTERCHANGE 230KV CKT 1
15G	06ALL		0	FROM->TO	G15_031_115	SHAMROCK (SHAMRCK1) 115/69/14.4KV TRANSFORMER CKT 1	67.1	0.0122	101.2936	CHISHOLM6 230.00 - ELK CITY 230KV 230KV CKT 1
15G	06ALL		0	FROM->TO	G15_031_115	SHAMROCK (SHAMRCK1) 115/69/14.4KV TRANSFORMER CKT 1	66	0.01202	101.1606	CLARENDON - CLARENDON REC 69KV CKT 1
15G	06ALL		0	FROM->TO	G15_031_115	SHAMROCK (SHAMRCK1) 115/69/14.4KV TRANSFORMER CKT 1	67.1	0.0122	101.1446	ELK CITY 230KV (ELKCTY-6) 230/138/13.8KV TRANSFORMER CKT 1
15G	06ALL		0	FROM->TO	G15_031_115	SHAMROCK (SHAMRCK1) 115/69/14.4KV TRANSFORMER CKT 1	67.1	0.01258	101.0462	CHISHOLM7 345.00 - GRACEMONT 345KV CKT 1
15G	06ALL		0	FROM->TO	G15_031_115	SHAMROCK (SHAMRCK1) 115/69/14.4KV TRANSFORMER CKT 1	66	0.01311	100.5636	G14-074T 345.00 - TUCO INTERCHANGE 345KV CKT 1
20WP	06ALL		0	TO->FROM	G15_031_115	SUNSHINE CANYON - TUTTLE 138KV CKT 1	141.6	0.02209	104.6893	CIMARRON - MINCO 345KV CKT 1
15SP	06ALL		0	TO->FROM	G15_031_115	SUNSHINE CANYON - TUTTLE 138KV CKT 1	141.6	0.02345	104.1356	CIMARRON - MINCO 345KV CKT 1
15WP	06ALL		0	TO->FROM	G15_031_115	SUNSHINE CANYON - TUTTLE 138KV CKT 1	141.6	0.02345	104.1356	CIMARRON - MINCO 345KV CKT 1
20SP	06ALL		0	TO->FROM	G15_031_115	SUNSHINE CANYON - TUTTLE 138KV CKT 1	141.6	0.02345	104.1356	CIMARRON - MINCO 345KV CKT 1
20WP	06ALL		0	TO->FROM	G15_031_115	SUNSHINE CANYON - TUTTLE 138KV CKT 1	141.6	0.02209	100.0989	GRACEMONT - MINCO 345KV CKT 1
15SP	06ALL		0	FROM->TO	G15_031_115	THOMAS TAP - WEATHERFORD 69KV CKT 1	39	0.00792	114.2051	CLINTON JUNCTION - CLINTON NATURAL GAS TAP 138KV CKT 1
15WP	06ALL		0	FROM->TO	G15_031_115	THOMAS TAP - WEATHERFORD 69KV CKT 1	39	0.00792	114.2051	CLINTON JUNCTION - CLINTON NATURAL GAS TAP 138KV CKT 1
20SP	06ALL		0	FROM->TO	G15_031_115	THOMAS TAP - WEATHERFORD 69KV CKT 1	39	0.00792	114.2051	CLINTON JUNCTION - CLINTON NATURAL GAS TAP 138KV CKT 1
15G	06ALL		0	FROM->TO	G15_031_115	TUCO INTERCHANGE (GE M1022338) 345/230/13.2KV TRANSFORMER CKT 1	555.1	0.17226	102.2792	TUCO INTERCHANGE (SIEM 8743066) 345/230/13.2KV TRANSFORMER CKT 2

SEASON	GROUP	SCENARIO	DIRECTION	SOURCE	MONITORED ELEMENT	RATE	CONTINGENCY		CONTINGENCY
						(MVA)	TDF	LOADING %	
15G	06ALL		0 FROM->TO	G15_031_115	TUCO INTERCHANGE (GE M1022338) 345/230/13.2KV TRANSFORMER CKT 1	557.4	0.17226	101.8034	TUCO INTERCHANGE (SIEM 8743066) 345/230/13.2KV TRANSFORMER CKT 2
15G	06ALL		0 FROM->TO	G15_031_115	WICHITA (WICH TX-11) 345/138/13.8KV TRANSFORMER CKT 1	413.2	0.01228	106.6578	WICHITA (WICH TX-11) 345/138/13.8KV TRANSFORMER CKT 1
15G	06ALL		0 FROM->TO	G15_031_115	WICHITA (WICH TX-12) 345/138/13.8KV TRANSFORMER CKT 1	419.7	0.01228	104.8868	WICHITA (WICH TX-11) 345/138/13.8KV TRANSFORMER CKT 1
25SP	00NR		0 FROM->TO	G15_031_115	WOLFFORTH INTERCHANGE (WH 7001668) 230/115/13.2KV TRANSFORMER CKT 1	140.3	0.02041	100.8004	CARLSLE INTERCHANGE - LP-DOUD_TP 3115.00 115KV CKT 1
15G	06ALL		0 FROM->TO	G15_031_115	WOODWARD (WOODWRD2) 138/69/13.2KV TRANSFORMER CKT 1	133.3	0.01041	100.0225	FPL SWITCH - MOORELAND 138KV CKT 1
20WP	06ALL		2 FROM->TO	G15_031_115	ANADARKO - CORN TAP 138KV CKT 1	142.8	0.01495	100.2171	CIMARRON - MINCO 345KV CKT 1
15G	06ALL		2 TO->FROM	G15_031_115	ANADARKO - GRACMNT4 138.00 138KV CKT 1	225.1	0.05427	127.6419	CIMARRON - MINCO 345KV CKT 1
15G	06ALL		2 TO->FROM	G15_031_115	ANADARKO - GRACMNT4 138.00 138KV CKT 1	225.1	0.05427	119.4678	GRACEMONT - MINCO 345KV CKT 1
15G	06ALL		2 TO->FROM	G15_031_115	ANADARKO - GRACMNT4 138.00 138KV CKT 1	225.1	0.03062	106.9409	SOUTHWESTERN STATION - WASHITA 138KV CKT 1
15SP	06ALL		2 FROM->TO	G15_031_115	BENTLEY4 138.00 - HALSTEAD SOUTH BUS 138KV CKT 1	142.2	0.00699	108.2771	RENO COUNTY - WICHITA 345KV CKT 1
15WP	06ALL		2 FROM->TO	G15_031_115	BENTLEY4 138.00 - HALSTEAD SOUTH BUS 138KV CKT 1	142.2	0.00699	108.2771	RENO COUNTY - WICHITA 345KV CKT 1
20SP	06ALL		2 FROM->TO	G15_031_115	BENTLEY4 138.00 - HALSTEAD SOUTH BUS 138KV CKT 1	142.2	0.00699	108.2771	RENO COUNTY - WICHITA 345KV CKT 1
20WP	06ALL		2 FROM->TO	G15_031_115	CLEARWATER - GILL ENERGY CENTER WEST 138KV CKT 1	142.2	0.01389	102.4191	GILL ENERGY CENTER SOUTH - VIOLA 4 138.00 138KV CKT 1
15SP	06ALL		2 TO->FROM	G15_031_115	CLINTON CITY - FOSS TAP 69KV CKT 1	74.5	0.00792	103.4094	CLINTON JUNCTION - CLINTON NATURAL GAS TAP 138KV CKT 1
15WP	06ALL		2 TO->FROM	G15_031_115	CLINTON CITY - FOSS TAP 69KV CKT 1	74.5	0.00792	103.4094	CLINTON JUNCTION - CLINTON NATURAL GAS TAP 138KV CKT 1
20SP	06ALL		2 TO->FROM	G15_031_115	CLINTON CITY - FOSS TAP 69KV CKT 1	74.5	0.00792	103.4094	CLINTON JUNCTION - CLINTON NATURAL GAS TAP 138KV CKT 1
15SP	06ALL		2 FROM->TO	G15_031_115	CLINTON CITY - THOMAS TAP 69KV CKT 1	38.9	0.00792	125.5527	CLINTON JUNCTION - CLINTON NATURAL GAS TAP 138KV CKT 1
15WP	06ALL		2 FROM->TO	G15_031_115	CLINTON CITY - THOMAS TAP 69KV CKT 1	38.9	0.00792	125.5527	CLINTON JUNCTION - CLINTON NATURAL GAS TAP 138KV CKT 1
20SP	06ALL		2 FROM->TO	G15_031_115	CLINTON CITY - THOMAS TAP 69KV CKT 1	38.9	0.00792	125.5527	CLINTON JUNCTION - CLINTON NATURAL GAS TAP 138KV CKT 1
20WP	06ALL		2 FROM->TO	G15_031_115	CLINTON CITY - THOMAS TAP 69KV CKT 1	39	0.00756	102.8974	CLINTON JUNCTION - CLINTON NATURAL GAS TAP 138KV CKT 1
15G	06ALL		2 FROM->TO	G15_031_115	CLINTON CITY - THOMAS TAP 69KV CKT 1	47.9	0.0077	101.0731	CLINTON JUNCTION - CLINTON NATURAL GAS TAP 138KV CKT 1
15SP	06ALL		2 TO->FROM	G15_031_115	CLINTON JUNCTION - ELK CITY 138KV CKT 1	148.8	0.04253	140.5726	CHISHOLM7 345.00 - GRACEMONT 345KV CKT 1
15WP	06ALL		2 TO->FROM	G15_031_115	CLINTON JUNCTION - ELK CITY 138KV CKT 1	148.8	0.04253	140.5726	CHISHOLM7 345.00 - GRACEMONT 345KV CKT 1
20SP	06ALL		2 TO->FROM	G15_031_115	CLINTON JUNCTION - ELK CITY 138KV CKT 1	148.8	0.04253	140.5726	CHISHOLM7 345.00 - GRACEMONT 345KV CKT 1
15G	06ALL		2 TO->FROM	G15_031_115	CLINTON JUNCTION - ELK CITY 138KV CKT 1	185.1	0.04112	124.0011	CHISHOLM7 345.00 - GRACEMONT 345KV CKT 1
15SP	06ALL		2 TO->FROM	G15_031_115	CLINTON JUNCTION - ELK CITY 138KV CKT 1	148.8	0.03624	122.8266	G14-074T 345.00 - OKLAUNION 345KV CKT 1
15WP	06ALL		2 TO->FROM	G15_031_115	CLINTON JUNCTION - ELK CITY 138KV CKT 1	148.8	0.03624	122.8266	G14-074T 345.00 - OKLAUNION 345KV CKT 1
20SP	06ALL		2 TO->FROM	G15_031_115	CLINTON JUNCTION - ELK CITY 138KV CKT 1	148.8	0.03624	122.8266	G14-074T 345.00 - OKLAUNION 345KV CKT 1
15SP	06ALL		2 TO->FROM	G15_031_115	CLINTON JUNCTION - ELK CITY 138KV CKT 1	148.8	0.02203	120.3078	ONEY - WASHITA 138KV CKT 1
15WP	06ALL		2 TO->FROM	G15_031_115	CLINTON JUNCTION - ELK CITY 138KV CKT 1	148.8	0.02203	120.3078	ONEY - WASHITA 138KV CKT 1
20SP	06ALL		2 TO->FROM	G15_031_115	CLINTON JUNCTION - ELK CITY 138KV CKT 1	148.8	0.02203	120.3078	ONEY - WASHITA 138KV CKT 1
15SP	06ALL		2 TO->FROM	G15_031_115	CLINTON JUNCTION - ELK CITY 138KV CKT 1	148.8	0.03624	118.7271	G14-074T 345.00 - TUCO INTERCHANGE 345KV CKT 1
15WP	06ALL		2 TO->FROM	G15_031_115	CLINTON JUNCTION - ELK CITY 138KV CKT 1	148.8	0.03624	118.7271	G14-074T 345.00 - TUCO INTERCHANGE 345KV CKT 1
20SP	06ALL		2 TO->FROM	G15_031_115	CLINTON JUNCTION - ELK CITY 138KV CKT 1	148.8	0.03624	118.7271	G14-074T 345.00 - TUCO INTERCHANGE 345KV CKT 1
15SP	06ALL		2 TO->FROM	G15_031_115	CLINTON JUNCTION - ELK CITY 138KV CKT 1	148.8	0.03246	118.0309	NORTHWEST - TATONGA7 345.00 345KV CKT 1
15WP	06ALL		2 TO->FROM	G15_031_115	CLINTON JUNCTION - ELK CITY 138KV CKT 1	148.8	0.03246	118.0309	NORTHWEST - TATONGA7 345.00 345KV CKT 1
20SP	06ALL		2 TO->FROM	G15_031_115	CLINTON JUNCTION - ELK CITY 138KV CKT 1	148.8	0.03246	118.0309	NORTHWEST - TATONGA7 345.00 345KV CKT 1
15SP	06ALL		2 TO->FROM	G15_031_115	CLINTON JUNCTION - ELK CITY 138KV CKT 1	148.8	0.02203	117.754	BINGER NIJECT - ONEY 138KV CKT 1
15WP	06ALL		2 TO->FROM	G15_031_115	CLINTON JUNCTION - ELK CITY 138KV CKT 1	148.8	0.02203	117.754	BINGER NIJECT - ONEY 138KV CKT 1
20SP	06ALL		2 TO->FROM	G15_031_115	CLINTON JUNCTION - ELK CITY 138KV CKT 1	148.8	0.02203	117.754	BINGER NIJECT - ONEY 138KV CKT 1
15SP	06ALL		2 TO->FROM	G15_031_115	CLINTON JUNCTION - ELK CITY 138KV CKT 1	148.8	0.03246	117.5605	SPSCont-05b
15WP	06ALL		2 TO->FROM	G15_031_115	CLINTON JUNCTION - ELK CITY 138KV CKT 1	148.8	0.03246	117.5605	SPSCont-05b
20SP	06ALL		2 TO->FROM	G15_031_115	CLINTON JUNCTION - ELK CITY 138KV CKT 1	148.8	0.03246	117.5605	SPSCont-05b
15SP	06ALL		2 TO->FROM	G15_031_115	CLINTON JUNCTION - ELK CITY 138KV CKT 1	148.8	0.03246	117.1573	SPSCont-04
15WP	06ALL		2 TO->FROM	G15_031_115	CLINTON JUNCTION - ELK CITY 138KV CKT 1	148.8	0.03246	117.1573	SPSCont-04
20SP	06ALL		2 TO->FROM	G15_031_115	CLINTON JUNCTION - ELK CITY 138KV CKT 1	148.8	0.03246	117.1573	SPSCont-04
15SP	06ALL		2 TO->FROM	G15_031_115	CLINTON JUNCTION - ELK CITY 138KV CKT 1	148.8	0.03306	116.9167	DBL-THIS-WWRD
15WP	06ALL		2 TO->FROM	G15_031_115	CLINTON JUNCTION - ELK CITY 138KV CKT 1	148.8	0.03306	116.9167	DBL-THIS-WWRD
20SP	06ALL		2 TO->FROM	G15_031_115	CLINTON JUNCTION - ELK CITY 138KV CKT 1	148.8	0.03306	116.9167	DBL-THIS-WWRD
15SP	06ALL		2 TO->FROM	G15_031_115	CLINTON JUNCTION - ELK CITY 138KV CKT 1	132.4	0.02859	116.0045	BASE CASE
15WP	06ALL		2 TO->FROM	G15_031_115	CLINTON JUNCTION - ELK CITY 138KV CKT 1	132.4	0.02859	116.0045	BASE CASE
20SP	06ALL		2 TO->FROM	G15_031_115	CLINTON JUNCTION - ELK CITY 138KV CKT 1	132.4	0.02859	116.0045	BASE CASE
15SP	06ALL		2 TO->FROM	G15_031_115	CLINTON JUNCTION - ELK CITY 138KV CKT 1	148.8	0.03243	115.5282	CLINTON AIR FORCE BASE TAP - ELK CITY 138KV CKT 1
15WP	06ALL		2 TO->FROM	G15_031_115	CLINTON JUNCTION - ELK CITY 138KV CKT 1	148.8	0.03243	115.5282	CLINTON AIR FORCE BASE TAP - ELK CITY 138KV CKT 1
20SP	06ALL		2 TO->FROM	G15_031_115	CLINTON JUNCTION - ELK CITY 138KV CKT 1	148.8	0.03243	115.5282	CLINTON AIR FORCE BASE TAP - ELK CITY 138KV CKT 1
15SP	06ALL		2 TO->FROM	G15_031_115	CLINTON JUNCTION - ELK CITY 138KV CKT 1	148.8	0.03553	115.3145	CHISHOLM7 345.00 - WOODWARD DISTRICT EHV 345KV CKT 1
15WP	06ALL		2 TO->FROM	G15_031_115	CLINTON JUNCTION - ELK CITY 138KV CKT 1	148.8	0.03553	115.3145	CHISHOLM7 345.00 - WOODWARD DISTRICT EHV 345KV CKT 1
20SP	06ALL		2 TO->FROM	G15_031_115	CLINTON JUNCTION - ELK CITY 138KV CKT 1	148.8	0.03553	115.3145	CHISHOLM7 345.00 - WOODWARD DISTRICT EHV 345KV CKT 1
15SP	06ALL		2 TO->FROM	G15_031_115	CLINTON JUNCTION - ELK CITY 138KV CKT 1	148.8	0.03243	114.5874	CLINTON AIR FORCE BASE TAP - HOBART JUNCTION 138KV CKT 1
15WP	06ALL		2 TO->FROM	G15_031_115	CLINTON JUNCTION - ELK CITY 138KV CKT 1	148.8	0.03243	114.5874	CLINTON AIR FORCE BASE TAP - HOBART JUNCTION 138KV CKT 1
20SP	06ALL		2 TO->FROM	G15_031_115	CLINTON JUNCTION - ELK CITY 138KV CKT 1	148.8	0.03243	114.5874	CLINTON AIR FORCE BASE TAP - HOBART JUNCTION 138KV CKT 1
15SP	06ALL		2 TO->FROM	G15_031_115	CLINTON JUNCTION - ELK CITY 138KV CKT 1	148.8	0.02203	113.5874	BINGER NIJECT - SICKLES 138KV CKT 1
15WP	06ALL		2 TO->FROM	G15_031_115	CLINTON JUNCTION - ELK CITY 138KV CKT 1	148.8	0.02203	113.5874	BINGER NIJECT - SICKLES 138KV CKT 1
20SP	06ALL		2 TO->FROM	G15_031_115	CLINTON JUNCTION - ELK CITY 138KV CKT 1	148.8	0.02203	113.5874	BINGER NIJECT - SICKLES 138KV CKT 1
15SP	06ALL		2 TO->FROM	G15_031_115	CLINTON JUNCTION - ELK CITY 138KV CKT 1	148.8	0.03246	113.461	G11_051T 345.00 - TATONGA7 345.00 345KV CKT 1

SEASON	GROUP	SCENARIO	DIRECTION	SOURCE	MONITORED ELEMENT	RATE (MVA)	CONTINGENCY		
							TDF	LOADING %	CONTINGENCY
15WP	06ALL		2 TO->FROM	G15_031_115	CLINTON JUNCTION - ELK CITY 138KV CKT 1	148.8	0.03246	113.461	G11_051T 345.00 - TATONGA7 345.00 345KV CKT 1
20SP	06ALL		2 TO->FROM	G15_031_115	CLINTON JUNCTION - ELK CITY 138KV CKT 1	148.8	0.03246	113.461	G11_051T 345.00 - TATONGA7 345.00 345KV CKT 1
15SP	06ALL		2 TO->FROM	G15_031_115	CLINTON JUNCTION - ELK CITY 138KV CKT 1	148.8	0.02203	112.9153	CLINTON JUNCTION - G07-32T 138.00 138KV CKT 1
15WP	06ALL		2 TO->FROM	G15_031_115	CLINTON JUNCTION - ELK CITY 138KV CKT 1	148.8	0.02203	112.9153	CLINTON JUNCTION - G07-32T 138.00 138KV CKT 1
20SP	06ALL		2 TO->FROM	G15_031_115	CLINTON JUNCTION - ELK CITY 138KV CKT 1	148.8	0.02203	112.9153	CLINTON JUNCTION - G07-32T 138.00 138KV CKT 1
15SP	06ALL		2 TO->FROM	G15_031_115	CLINTON JUNCTION - ELK CITY 138KV CKT 1	148.8	0.02859	112.8293	G07-32 138.00 - G07-32T 138.00 138KV CKT 1
15SP	06ALL		2 TO->FROM	G15_031_115	CLINTON JUNCTION - ELK CITY 138KV CKT 1	148.8	0.02859	112.8293	G07-32 138.00 138/34.5KV TRANSFORMER CKT 1
15WP	06ALL		2 TO->FROM	G15_031_115	CLINTON JUNCTION - ELK CITY 138KV CKT 1	148.8	0.02859	112.8293	G07-32 34.500 34.5/12.0KV TRANSFORMER CKT 1
15WP	06ALL		2 TO->FROM	G15_031_115	CLINTON JUNCTION - ELK CITY 138KV CKT 1	148.8	0.02859	112.8293	G07-32 138.00 - G07-32T 138.00 138KV CKT 1
15WP	06ALL		2 TO->FROM	G15_031_115	CLINTON JUNCTION - ELK CITY 138KV CKT 1	148.8	0.02859	112.8293	G07-32 138.00 138/34.5KV TRANSFORMER CKT 1
15WP	06ALL		2 TO->FROM	G15_031_115	CLINTON JUNCTION - ELK CITY 138KV CKT 1	148.8	0.02859	112.8293	G07-32 34.500 34.5/12.0KV TRANSFORMER CKT 1
20SP	06ALL		2 TO->FROM	G15_031_115	CLINTON JUNCTION - ELK CITY 138KV CKT 1	148.8	0.02859	112.8293	G07-32 138.00 - G07-32T 138.00 138KV CKT 1
20SP	06ALL		2 TO->FROM	G15_031_115	CLINTON JUNCTION - ELK CITY 138KV CKT 1	148.8	0.02859	112.8293	G07-32 138.00 138/34.5KV TRANSFORMER CKT 1
15SP	06ALL		2 TO->FROM	G15_031_115	CLINTON JUNCTION - ELK CITY 138KV CKT 1	148.8	0.02859	111.418	WASHITA - WEATHERFORD WIND FARM 34 KV 34.5KV CKT 1
15WP	06ALL		2 TO->FROM	G15_031_115	CLINTON JUNCTION - ELK CITY 138KV CKT 1	148.8	0.02859	111.418	WASHITA - WEATHERFORD WIND FARM 34 KV 34.5KV CKT 1
20SP	06ALL		2 TO->FROM	G15_031_115	CLINTON JUNCTION - ELK CITY 138KV CKT 1	148.8	0.02859	111.418	WASHITA - WEATHERFORD WIND FARM 34 KV 34.5KV CKT 1
20WP	06ALL		2 TO->FROM	G15_031_115	CLINTON JUNCTION - ELK CITY 138KV CKT 1	151.1	0.0422	109.3766	CHISHOLM7 345.00 - GRACEMONT 345KV CKT 1
20WP	06ALL		2 TO->FROM	G15_031_115	CLINTON JUNCTION - ELK CITY 138KV CKT 1	151.1	0.02193	106.454	ONEY - WASHITA 138KV CKT 1
15G	06ALL		2 TO->FROM	G15_031_115	CLINTON JUNCTION - ELK CITY 138KV CKT 1	185.1	0.03496	105.7223	G14-074T 345.00 - OKLAUNION 345KV CKT 1
20WP	06ALL		2 TO->FROM	G15_031_115	CLINTON JUNCTION - ELK CITY 138KV CKT 1	151.1	0.02193	103.8729	BINGER NUJECT - ONEY 138KV CKT 1
15G	06ALL		2 TO->FROM	G15_031_115	CLINTON JUNCTION - ELK CITY 138KV CKT 1	185.1	0.03496	102.6429	G14-074T 345.00 - TUCO INTERCHANGE 345KV CKT 1
15G	06ALL		2 TO->FROM	G15_031_115	CLINTON JUNCTION - ELK CITY 138KV CKT 1	185.1	0.0314	102.2658	NORTHWEST - TATONGA7 345.00 345KV CKT 1
15G	06ALL		2 TO->FROM	G15_031_115	CLINTON JUNCTION - ELK CITY 138KV CKT 1	185.1	0.0314	101.9416	SPSCont-05b
15G	06ALL		2 TO->FROM	G15_031_115	CLINTON JUNCTION - ELK CITY 138KV CKT 1	185.1	0.0314	101.6175	SPSCont-04
15G	06ALL		2 TO->FROM	G15_031_115	CLINTON JUNCTION - ELK CITY 138KV CKT 1	185.1	0.03123	101.4511	CLINTON AIR FORCE BASE TAP - ELK CITY 138KV CKT 1
15G	06ALL		2 TO->FROM	G15_031_115	CLINTON JUNCTION - ELK CITY 138KV CKT 1	185.1	0.03123	100.8568	CLINTON AIR FORCE BASE TAP - HOBART JUNCTION 138KV CKT 1
15G	06ALL		2 TO->FROM	G15_031_115	CLINTON JUNCTION - ELK CITY 138KV CKT 1	185.1	0.03441	100.1675	CHISHOLM7 345.00 - WOODWARD DISTRICT EHV 345KV CKT 1
15SP	06ALL		2 FROM->TO	G15_031_115	CLINTON JUNCTION - FOSS TAP 69KV CKT 1	74.7	0.00792	104.3373	CLINTON JUNCTION - CLINTON NATURAL GAS TAP 138KV CKT 1
15WP	06ALL		2 FROM->TO	G15_031_115	CLINTON JUNCTION - FOSS TAP 69KV CKT 1	74.7	0.00792	104.3373	CLINTON JUNCTION - CLINTON NATURAL GAS TAP 138KV CKT 1
20SP	06ALL		2 FROM->TO	G15_031_115	CLINTON JUNCTION - FOSS TAP 69KV CKT 1	74.7	0.00792	104.3373	CLINTON JUNCTION - CLINTON NATURAL GAS TAP 138KV CKT 1
15SP	06ALL		2 TO->FROM	G15_031_115	COMANCHE TAP - TOSCO 69KV CKT 1	39	0.00577	103.9128	G14-057T 345.00 - SUNNYSIDE 345KV CKT 1
15WP	06ALL		2 TO->FROM	G15_031_115	COMANCHE TAP - TOSCO 69KV CKT 1	39	0.00577	103.9128	G14-057T 345.00 - SUNNYSIDE 345KV CKT 1
20SP	06ALL		2 TO->FROM	G15_031_115	COMANCHE TAP - TOSCO 69KV CKT 1	39	0.00577	103.9128	G14-057T 345.00 - SUNNYSIDE 345KV CKT 1
15SP	06ALL		2 TO->FROM	G15_031_115	COMANCHE TAP - TOSCO 69KV CKT 1	39	0.00577	101.0923	G14-057T 345.00 - LAWTON EASTSIDE 345KV CKT 1
15WP	06ALL		2 TO->FROM	G15_031_115	COMANCHE TAP - TOSCO 69KV CKT 1	39	0.00577	101.0923	G14-057T 345.00 - LAWTON EASTSIDE 345KV CKT 1
20SP	06ALL		2 TO->FROM	G15_031_115	COMANCHE TAP - TOSCO 69KV CKT 1	39	0.00577	101.0923	G14-057T 345.00 - LAWTON EASTSIDE 345KV CKT 1
15SP	06ALL		2 FROM->TO	G15_031_115	DUNCAN - TOSCO 69KV CKT 1	38.9	0.00577	108.2931	G14-057T 345.00 - SUNNYSIDE 345KV CKT 1
15WP	06ALL		2 FROM->TO	G15_031_115	DUNCAN - TOSCO 69KV CKT 1	38.9	0.00577	108.2931	G14-057T 345.00 - SUNNYSIDE 345KV CKT 1
20SP	06ALL		2 FROM->TO	G15_031_115	DUNCAN - TOSCO 69KV CKT 1	38.9	0.00577	108.2931	G14-057T 345.00 - SUNNYSIDE 345KV CKT 1
15SP	06ALL		2 FROM->TO	G15_031_115	DUNCAN - TOSCO 69KV CKT 1	38.9	0.00577	105.7224	G14-057T 345.00 - LAWTON EASTSIDE 345KV CKT 1
15WP	06ALL		2 FROM->TO	G15_031_115	DUNCAN - TOSCO 69KV CKT 1	38.9	0.00577	105.7224	G14-057T 345.00 - LAWTON EASTSIDE 345KV CKT 1
20SP	06ALL		2 FROM->TO	G15_031_115	DUNCAN - TOSCO 69KV CKT 1	38.9	0.00577	105.7224	G14-057T 345.00 - LAWTON EASTSIDE 345KV CKT 1
15SP	06ALL		2 TO->FROM	G15_031_115	EARLSBORO 4138.00 - MAUD 138KV CKT 1	97.7	0.00727	106.0778	MAUD (MAUD1) 138/69/13.2KV TRANSFORMER CKT 1
15WP	06ALL		2 TO->FROM	G15_031_115	EARLSBORO 4138.00 - MAUD 138KV CKT 1	97.7	0.00727	106.0778	MAUD (MAUD1) 138/69/13.2KV TRANSFORMER CKT 1
20SP	06ALL		2 TO->FROM	G15_031_115	EARLSBORO 4138.00 - MAUD 138KV CKT 1	97.7	0.00727	106.0778	MAUD (MAUD1) 138/69/13.2KV TRANSFORMER CKT 1
15SP	06ALL		2 TO->FROM	G15_031_115	EARLSBORO 4138.00 - MAUD 138KV CKT 1	97.7	0.00706	101.042	CANADIAN RIVER - MCALESTER SOUTH 138KV CKT 1
15SP	06ALL		2 TO->FROM	G15_031_115	EARLSBORO 4138.00 - MAUD 138KV CKT 1	97.7	0.00697	101.042	PRINGLE INTERCHANGE - SPEARMAN INTERCHANGE 115KV CKT 2
15WP	06ALL		2 TO->FROM	G15_031_115	EARLSBORO 4138.00 - MAUD 138KV CKT 1	97.7	0.00706	101.042	CANADIAN RIVER - MCALESTER SOUTH 138KV CKT 1
15WP	06ALL		2 TO->FROM	G15_031_115	EARLSBORO 4138.00 - MAUD 138KV CKT 1	97.7	0.00697	101.042	PRINGLE INTERCHANGE - SPEARMAN INTERCHANGE 115KV CKT 2
20SP	06ALL		2 TO->FROM	G15_031_115	EARLSBORO 4138.00 - MAUD 138KV CKT 1	97.7	0.00706	101.042	CANADIAN RIVER - MCALESTER SOUTH 138KV CKT 1
20SP	06ALL		2 TO->FROM	G15_031_115	EARLSBORO 4138.00 - MAUD 138KV CKT 1	97.7	0.00697	101.042	PRINGLE INTERCHANGE - SPEARMAN INTERCHANGE 115KV CKT 2
25SP	06ALL		2 FROM->TO	G15_031_115	EDDY NORTH 6230.00 (WAUK WT01134) 230/115/13.2KV TRANSFORMER CKT 2	285	0.00555	105.021	EDDY COUNTY INTERCHANGE - EDDY NORTH 6230.00 230KV CKT @1
25SP	06ALL		2 FROM->TO	G15_031_115	EDDY NORTH 6230.00 (WAUK WT01134) 230/115/13.2KV TRANSFORMER CKT 2	286.3	0.00555	104.4394	EDDY COUNTY INTERCHANGE - EDDY NORTH 6230.00 230KV CKT @1
15G	06ALL		2 FROM->TO	G15_031_115	ELDORADO - ELDORADO JCT 69KV CKT 1	26.9	0.00814	100.8401	LAKE PAULINE - RUSSELL 138KV CKT 1
15SP	06ALL		2 FROM->TO	G15_031_115	ELK CITY 230KV (ELKCTY-6) 230/138/13.8KV TRANSFORMER CKT 1	446.4	0.10135	117.0184	CHISHOLM7 345.00 - GRACEMONT 345KV CKT 1
15WP	06ALL		2 FROM->TO	G15_031_115	ELK CITY 230KV (ELKCTY-6) 230/138/13.8KV TRANSFORMER CKT 1	446.4	0.10135	117.0184	CHISHOLM7 345.00 - GRACEMONT 345KV CKT 1
20SP	06ALL		2 FROM->TO	G15_031_115	ELK CITY 230KV (ELKCTY-6) 230/138/13.8KV TRANSFORMER CKT 1	446.4	0.10135	117.0184	CHISHOLM7 345.00 - GRACEMONT 345KV CKT 1
15G	06ALL		2 FROM->TO	G15_031_115	ELK CITY 230KV (ELKCTY-6) 230/138/13.8KV TRANSFORMER CKT 1	446.9	0.09581	117.0163	CHISHOLM7 345.00 - GRACEMONT 345KV CKT 1
15G	06ALL		2 FROM->TO	G15_031_115	ELK CITY 230KV (ELKCTY-6) 230/138/13.8KV TRANSFORMER CKT 1	449.3	0.09581	116.4803	CHISHOLM7 345.00 - GRACEMONT 345KV CKT 1
15SP	06ALL		2 FROM->TO	G15_031_115	ELK CITY 230KV (ELKCTY-6) 230/138/13.8KV TRANSFORMER CKT 1	449.3	0.10135	116.3744	CHISHOLM7 345.00 - GRACEMONT 345KV CKT 1
15WP	06ALL		2 FROM->TO	G15_031_115	ELK CITY 230KV (ELKCTY-6) 230/138/13.8KV TRANSFORMER CKT 1	449.3	0.10135	116.3744	CHISHOLM7 345.00 - GRACEMONT 345KV CKT 1
20SP	06ALL		2 FROM->TO	G15_031_115	ELK CITY 230KV (ELKCTY-6) 230/138/13.8KV TRANSFORMER CKT 1	449.3	0.10135	116.3744	CHISHOLM7 345.00 - GRACEMONT 345KV CKT 1
15SP	06ALL		2 FROM->TO	G15_031_115	ELK CITY 230KV (ELKCTY-6) 230/138/13.8KV TRANSFORMER CKT 1	446.4	0.08719	103.6402	G14-074T 345.00 - OKLAUNION 345KV CKT 1
15WP	06ALL		2 FROM->TO	G15_031_115	ELK CITY 230KV (ELKCTY-6) 230/138/13.8KV TRANSFORMER CKT 1	446.4	0.08719	103.6402	G14-074T 345.00 - OKLAUNION 345KV CKT 1

SEASON	GROUP	SCENARIO	DIRECTION	SOURCE	MONITORED ELEMENT	RATE	CONTINGENCY		
						(MVA)	TDF	LOADING %	CONTINGENCY
20SP	06ALL		2 FROM->TO	G15_031_115	ELK CITY 230KV (ELKCTY-6) 230/138/13.8KV TRANSFORMER CKT 1	446.4	0.08719	103.6402	G14-074T 345.00 - OKLAUNION 345KV CKT 1
15SP	06ALL		2 FROM->TO	G15_031_115	ELK CITY 230KV (ELKCTY-6) 230/138/13.8KV TRANSFORMER CKT 1	449.3	0.08719	103.0603	G14-074T 345.00 - OKLAUNION 345KV CKT 1
15WP	06ALL		2 FROM->TO	G15_031_115	ELK CITY 230KV (ELKCTY-6) 230/138/13.8KV TRANSFORMER CKT 1	449.3	0.08719	103.0603	G14-074T 345.00 - OKLAUNION 345KV CKT 1
20SP	06ALL		2 FROM->TO	G15_031_115	ELK CITY 230KV (ELKCTY-6) 230/138/13.8KV TRANSFORMER CKT 1	449.3	0.08719	103.0603	G14-074T 345.00 - OKLAUNION 345KV CKT 1
15SP	06ALL		2 FROM->TO	G15_031_115	ELK CITY 230KV (ELKCTY-6) 230/138/13.8KV TRANSFORMER CKT 1	446.4	0.0932	101.7944	CHISHOLM7 345.00 - WOODWARD DISTRICT EHV 345KV CKT 1
15WP	06ALL		2 FROM->TO	G15_031_115	ELK CITY 230KV (ELKCTY-6) 230/138/13.8KV TRANSFORMER CKT 1	446.4	0.0932	101.7944	CHISHOLM7 345.00 - WOODWARD DISTRICT EHV 345KV CKT 1
20SP	06ALL		2 FROM->TO	G15_031_115	ELK CITY 230KV (ELKCTY-6) 230/138/13.8KV TRANSFORMER CKT 1	446.4	0.0932	101.7944	CHISHOLM7 345.00 - WOODWARD DISTRICT EHV 345KV CKT 1
15SP	06ALL		2 FROM->TO	G15_031_115	ELK CITY 230KV (ELKCTY-6) 230/138/13.8KV TRANSFORMER CKT 1	449.3	0.0932	101.2486	CHISHOLM7 345.00 - WOODWARD DISTRICT EHV 345KV CKT 1
15WP	06ALL		2 FROM->TO	G15_031_115	ELK CITY 230KV (ELKCTY-6) 230/138/13.8KV TRANSFORMER CKT 1	449.3	0.0932	101.2486	CHISHOLM7 345.00 - WOODWARD DISTRICT EHV 345KV CKT 1
20SP	06ALL		2 FROM->TO	G15_031_115	ELK CITY 230KV (ELKCTY-6) 230/138/13.8KV TRANSFORMER CKT 1	449.3	0.0932	101.2486	CHISHOLM7 345.00 - WOODWARD DISTRICT EHV 345KV CKT 1
15SP	06ALL		2 FROM->TO	G15_031_115	ELK CITY 230KV (ELKCTY-6) 230/138/13.8KV TRANSFORMER CKT 1	446.4	0.08719	100.1904	G14-074T 345.00 - TUCO INTERCHANGE 345KV CKT 1
15WP	06ALL		2 FROM->TO	G15_031_115	ELK CITY 230KV (ELKCTY-6) 230/138/13.8KV TRANSFORMER CKT 1	446.4	0.08719	100.1904	G14-074T 345.00 - TUCO INTERCHANGE 345KV CKT 1
20SP	06ALL		2 FROM->TO	G15_031_115	ELK CITY 230KV (ELKCTY-6) 230/138/13.8KV TRANSFORMER CKT 1	446.4	0.08719	100.1904	G14-074T 345.00 - TUCO INTERCHANGE 345KV CKT 1
15G	06ALL		2 FROM->TO	G15_031_115	FPL SWITCH - MOORELAND 138KV CKT 1	284.1	0.04531	119.0539	DBL-THIS-WWRD
15G	06ALL		2 FROM->TO	G15_031_115	FPL SWITCH - MOORELAND 138KV CKT 1	284.1	0.03682	111.6107	NORTHWEST - TATONGA7 345.00 345KV CKT 1
15G	06ALL		2 FROM->TO	G15_031_115	FPL SWITCH - MOORELAND 138KV CKT 1	284.1	0.03682	110.0619	SPSCont-04
15G	06ALL		2 FROM->TO	G15_031_115	FPL SWITCH - MOORELAND 138KV CKT 1	284.1	0.03682	109.8156	SPSCont-05b
15G	06ALL		2 FROM->TO	G15_031_115	FPL SWITCH - MOORELAND 138KV CKT 1	284.1	0.03663	108.3069	CHISHOLM6 230.00 - ELK CITY 230KV 230KV CKT 1
15G	06ALL		2 FROM->TO	G15_031_115	FPL SWITCH - MOORELAND 138KV CKT 1	284.1	0.03663	108.3069	ELK CITY 230KV (ELKCTY-6) 230/138/13.8KV TRANSFORMER CKT 1
15G	06ALL		2 FROM->TO	G15_031_115	FPL SWITCH - MOORELAND 138KV CKT 1	284.1	0.03682	104.6061	G11_051T 345.00 - TATONGA7 345.00 345KV CKT 1
15G	06ALL		2 FROM->TO	G15_031_115	FPL SWITCH - MOORELAND 138KV CKT 1	284.1	0.03682	103.8317	G11_051T 345.00 - WOODWARD DISTRICT EHV 345KV CKT 1
15G	06ALL		2 FROM->TO	G15_031_115	FPL SWITCH - MOORELAND 138KV CKT 1	284.1	0.03682	102.1422	SPSCont-05ax
15G	06ALL		2 FROM->TO	G15_031_115	FPL SWITCH - MOORELAND 138KV CKT 1	284.1	0.02807	101.9648	WOODWARD (WOODWRD2) 138/69/13.2KV TRANSFORMER CKT 1
15G	06ALL		2 TO->FROM	G15_031_115	FPL SWITCH - WOODWARD 138KV CKT 1	285.1	0.04531	112.2876	DBL-THIS-WWRD
15G	06ALL		2 TO->FROM	G15_031_115	FPL SWITCH - WOODWARD 138KV CKT 1	285.1	0.03682	104.8706	NORTHWEST - TATONGA7 345.00 345KV CKT 1
15G	06ALL		2 TO->FROM	G15_031_115	FPL SWITCH - WOODWARD 138KV CKT 1	285.1	0.03682	103.2922	SPSCont-04
15G	06ALL		2 TO->FROM	G15_031_115	FPL SWITCH - WOODWARD 138KV CKT 1	285.1	0.03682	103.0466	SPSCont-05b
15G	06ALL		2 TO->FROM	G15_031_115	FPL SWITCH - WOODWARD 138KV CKT 1	285.1	0.03663	101.5784	CHISHOLM6 230.00 - ELK CITY 230KV 230KV CKT 1
15G	06ALL		2 TO->FROM	G15_031_115	FPL SWITCH - WOODWARD 138KV CKT 1	285.1	0.03663	101.5433	ELK CITY 230KV (ELKCTY-6) 230/138/13.8KV TRANSFORMER CKT 1
15SP	06ALL		2 TO->FROM	G15_031_115	GLASS MOUNTAIN - MOORELAND 138KV CKT 1	122.3	0.02056	109.1447	DBL-THIS-WWRD
15WP	06ALL		2 TO->FROM	G15_031_115	GLASS MOUNTAIN - MOORELAND 138KV CKT 1	122.3	0.02056	109.1447	DBL-THIS-WWRD
20SP	06ALL		2 TO->FROM	G15_031_115	GLASS MOUNTAIN - MOORELAND 138KV CKT 1	122.3	0.02056	109.1447	DBL-THIS-WWRD
15SP	06ALL		2 TO->FROM	G15_031_115	GLASS MOUNTAIN - MOORELAND 138KV CKT 1	122.3	0.01579	100.5086	MOORELAND - NOEL_SW 138.00 138KV CKT 1
15WP	06ALL		2 TO->FROM	G15_031_115	GLASS MOUNTAIN - MOORELAND 138KV CKT 1	122.3	0.01579	100.5086	MOORELAND - NOEL_SW 138.00 138KV CKT 1
20SP	06ALL		2 TO->FROM	G15_031_115	GLASS MOUNTAIN - MOORELAND 138KV CKT 1	122.3	0.01579	100.5086	MOORELAND - NOEL_SW 138.00 138KV CKT 1
15G	06ALL		2 FROM->TO	G15_031_115	Harrington Station East Bus - POTTER COUNTY INTERCHANGE 230KV CKT 1	346.8	0.05203	106.7941	CHERRY1 - HARRINGTON STATION 230KV CKT 1
15G	06ALL		2 FROM->TO	G15_031_115	Harrington Station East Bus - POTTER COUNTY INTERCHANGE 230KV CKT 1	346.8	0.06108	103.0098	CHERRY1 - POTTER COUNTY INTERCHANGE 230KV CKT 1
15G	06ALL		2 TO->FROM	G15_031_115	HAYS PLANT - SOUTH HAYS 115KV CKT 1	88	0.00598	115.3812	KNOLL 230 - POSTROCK6 230.00 230KV CKT 1
15SP	06ALL		2 FROM->TO	G15_031_115	HAYS PLANT - VINE STREET 115KV CKT 1	88	0.00574	116.8955	KNOLL 230 - POSTROCK6 230.00 230KV CKT 1
15WP	06ALL		2 FROM->TO	G15_031_115	HAYS PLANT - VINE STREET 115KV CKT 1	88	0.00574	116.8955	KNOLL 230 - POSTROCK6 230.00 230KV CKT 1
20SP	06ALL		2 FROM->TO	G15_031_115	HAYS PLANT - VINE STREET 115KV CKT 1	88	0.00574	116.8955	KNOLL 230 - POSTROCK6 230.00 230KV CKT 1
15G	06ALL		2 FROM->TO	G15_031_115	HAYS PLANT - VINE STREET 115KV CKT 1	87.9	0.00598	105.8157	KNOLL 230 - POSTROCK6 230.00 230KV CKT 1
15SP	06ALL		2 FROM->TO	G15_031_115	JERICHO (JERIC2WT) 115/69/14.4KV TRANSFORMER CKT 1	45.6	0.00654	106.6974	KIRBY SWITCHING STATION - MCCLELLAN SUB 115KV CKT 1
15WP	06ALL		2 FROM->TO	G15_031_115	JERICHO (JERIC2WT) 115/69/14.4KV TRANSFORMER CKT 1	45.6	0.00654	106.6974	KIRBY SWITCHING STATION - MCCLELLAN SUB 115KV CKT 1
20SP	06ALL		2 FROM->TO	G15_031_115	JERICHO (JERIC2WT) 115/69/14.4KV TRANSFORMER CKT 1	45.6	0.00654	106.6974	KIRBY SWITCHING STATION - MCCLELLAN SUB 115KV CKT 1
15SP	06ALL		2 FROM->TO	G15_031_115	JERICHO (JERIC2WT) 115/69/14.4KV TRANSFORMER CKT 1	45.9	0.00654	106	KIRBY SWITCHING STATION - MCCLELLAN SUB 115KV CKT 1
15WP	06ALL		2 FROM->TO	G15_031_115	JERICHO (JERIC2WT) 115/69/14.4KV TRANSFORMER CKT 1	45.9	0.00654	106	KIRBY SWITCHING STATION - MCCLELLAN SUB 115KV CKT 1
20SP	06ALL		2 FROM->TO	G15_031_115	JERICHO (JERIC2WT) 115/69/14.4KV TRANSFORMER CKT 1	45.9	0.00654	106	KIRBY SWITCHING STATION - MCCLELLAN SUB 115KV CKT 1
15SP	06ALL		2 FROM->TO	G15_031_115	JERICHO (JERIC2WT) 115/69/14.4KV TRANSFORMER CKT 1	45.6	0.00654	105.1623	MCCLELLAN SUB - MCLEAN RURAL SUB 115KV CKT 1
15WP	06ALL		2 FROM->TO	G15_031_115	JERICHO (JERIC2WT) 115/69/14.4KV TRANSFORMER CKT 1	45.6	0.00654	105.1623	MCCLELLAN SUB - MCLEAN RURAL SUB 115KV CKT 1
20SP	06ALL		2 FROM->TO	G15_031_115	JERICHO (JERIC2WT) 115/69/14.4KV TRANSFORMER CKT 1	45.6	0.00654	105.1623	MCCLELLAN SUB - MCLEAN RURAL SUB 115KV CKT 1
15SP	06ALL		2 FROM->TO	G15_031_115	JERICHO (JERIC2WT) 115/69/14.4KV TRANSFORMER CKT 1	45.9	0.00654	104.6928	MCCLELLAN SUB - MCLEAN RURAL SUB 115KV CKT 1
15WP	06ALL		2 FROM->TO	G15_031_115	JERICHO (JERIC2WT) 115/69/14.4KV TRANSFORMER CKT 1	45.9	0.00654	104.6928	MCCLELLAN SUB - MCLEAN RURAL SUB 115KV CKT 1
20SP	06ALL		2 FROM->TO	G15_031_115	JERICHO (JERIC2WT) 115/69/14.4KV TRANSFORMER CKT 1	45.9	0.00654	104.6928	MCCLELLAN SUB - MCLEAN RURAL SUB 115KV CKT 1
15G	06ALL		2 FROM->TO	G15_031_115	JERICHO (JERIC2WT) 115/69/14.4KV TRANSFORMER CKT 1	45.7	0.00659	101.7287	KIRBY SWITCHING STATION - MCCLELLAN SUB 115KV CKT 1
15SP	06ALL		2 FROM->TO	G15_031_115	JERICHO (JERIC2WT) 115/69/14.4KV TRANSFORMER CKT 1	45.6	0.00654	101.6535	SPP-SWPS-T54
15WP	06ALL		2 FROM->TO	G15_031_115	JERICHO (JERIC2WT) 115/69/14.4KV TRANSFORMER CKT 1	45.6	0.00654	101.6535	SPP-SWPS-T54
20SP	06ALL		2 FROM->TO	G15_031_115	JERICHO (JERIC2WT) 115/69/14.4KV TRANSFORMER CKT 1	45.6	0.00654	101.6535	SPP-SWPS-T54
15G	06ALL		2 FROM->TO	G15_031_115	JERICHO (JERIC2WT) 115/69/14.4KV TRANSFORMER CKT 1	45.9	0.00659	101.2854	KIRBY SWITCHING STATION - MCCLELLAN SUB 115KV CKT 1
15SP	06ALL		2 FROM->TO	G15_031_115	JERICHO (JERIC2WT) 115/69/14.4KV TRANSFORMER CKT 1	45.9	0.00654	100.9891	SPP-SWPS-T54
15WP	06ALL		2 FROM->TO	G15_031_115	JERICHO (JERIC2WT) 115/69/14.4KV TRANSFORMER CKT 1	45.9	0.00654	100.9891	SPP-SWPS-T54
20SP	06ALL		2 FROM->TO	G15_031_115	JERICHO (JERIC2WT) 115/69/14.4KV TRANSFORMER CKT 1	45.9	0.00654	100.9891	SPP-SWPS-T54
15G	06ALL		2 FROM->TO	G15_031_115	JERICHO (JERIC2WT) 115/69/14.4KV TRANSFORMER CKT 1	45.7	0.00659	100.4158	MCCLELLAN SUB - MCLEAN RURAL SUB 115KV CKT 1
15SP	06ALL		2 FROM->TO	G15_031_115	JERICHO (JERIC2WT) 115/69/14.4KV TRANSFORMER CKT 1	45.6	0.00654	100.1184	MCLEAN RURAL SUB - SHAMROCK 115KV CKT 1
15WP	06ALL		2 FROM->TO	G15_031_115	JERICHO (JERIC2WT) 115/69/14.4KV TRANSFORMER CKT 1	45.6	0.00654	100.1184	MCLEAN RURAL SUB - SHAMROCK 115KV CKT 1

SEASON	GROUP	SCENARIO	DIRECTION	SOURCE	MONITORED ELEMENT	RATE (MVA)	TDF	CONTINGENCY LOADING %	CONTINGENCY	
20SP	06ALL		2	FROM->TO	G15_031_115	JERICO (JERIC2WT) 115/69/14.4KV TRANSFORMER CKT 1	45.6	0.00654	100.1184	MCLEAN RURAL SUB - SHAMROCK 115KV CKT 1
25SP	00NR		2	TO->FROM	G15_031_115	LUBBOCK POWER & LIGHT-CO-OP - LUBBOCK POWER & LIGHT-SLATON 69KV CKT 1	53.5	0.00705	154.4205	LUBBOCK POWER & LIGHT-CO-OP - LUBBOCK POWER & LIGHT-WADSWORTH 69KV CKT 1
20SP	00NR		2	TO->FROM	G15_031_115	LUBBOCK POWER & LIGHT-CO-OP - LUBBOCK POWER & LIGHT-SLATON 69KV CKT 1	53.6	0.00982	138.3321	LUBBOCK POWER & LIGHT-CO-OP - LUBBOCK POWER & LIGHT-WADSWORTH 69KV CKT 1
15SP	00NR		2	TO->FROM	G15_031_115	LUBBOCK POWER & LIGHT-CO-OP - LUBBOCK POWER & LIGHT-SLATON 69KV CKT 1	53.9	0.00952	115.3172	LUBBOCK POWER & LIGHT-CO-OP - LUBBOCK POWER & LIGHT-WADSWORTH 69KV CKT 1
20WP	00NR		2	TO->FROM	G15_031_115	LUBBOCK POWER & LIGHT-CO-OP - LUBBOCK POWER & LIGHT-SLATON 69KV CKT 1	53.9	0.01601	105.5714	LUBBOCK POWER & LIGHT-CO-OP - LUBBOCK POWER & LIGHT-WADSWORTH 69KV CKT 1
25SP	00NR		2	TO->FROM	G15_031_115	LUBBOCK POWER & LIGHT-CO-OP - LUBBOCK POWER & LIGHT-WADSWORTH 69KV CKT 1	105.6	0.00712	126.928	BASE CASE
25SP	00NR		2	TO->FROM	G15_031_115	LUBBOCK POWER & LIGHT-CO-OP - LUBBOCK POWER & LIGHT-WADSWORTH 69KV CKT 1	141.2	0.00862	125.4858	LUBBOCK POWER & LIGHT-SLATON - LUBBOCK POWER & LIGHT-SOUTHEAST 69KV CKT 1
25SP	00NR		2	TO->FROM	G15_031_115	LUBBOCK POWER & LIGHT-CO-OP - LUBBOCK POWER & LIGHT-WADSWORTH 69KV CKT 1	141.2	0.00941	116.022	LUBBOCK POWER & LIGHT-SOUTHEAST - LUBBOCK SOUTH INTERCHANGE 230KV CKT 1
25SP	00NR		2	TO->FROM	G15_031_115	LUBBOCK POWER & LIGHT-CO-OP - LUBBOCK POWER & LIGHT-WADSWORTH 69KV CKT 1	141.2	0.00892	114.2889	LUBBOCK POWER & LIGHT-HOLLY GEN - LUBBOCK POWER & LIGHT-NORTHEAST 69KV CKT 1
20SP	00NR		2	TO->FROM	G15_031_115	LUBBOCK POWER & LIGHT-CO-OP - LUBBOCK POWER & LIGHT-WADSWORTH 69KV CKT 1	108	0.00978	113.6426	BASE CASE
20SP	00NR		2	TO->FROM	G15_031_115	LUBBOCK POWER & LIGHT-CO-OP - LUBBOCK POWER & LIGHT-WADSWORTH 69KV CKT 1	143	0.01179	113.3825	LUBBOCK POWER & LIGHT-SLATON - LUBBOCK POWER & LIGHT-SOUTHEAST 69KV CKT 1
25SP	00NR		2	TO->FROM	G15_031_115	LUBBOCK POWER & LIGHT-CO-OP - LUBBOCK POWER & LIGHT-WADSWORTH 69KV CKT 1	141.2	0.00911	111.0715	CARLISLE INTERCHANGE - LUBBOCK POWER & LIGHT-MILWAUKEE 230KV CKT 1
25SP	00NR		2	TO->FROM	G15_031_115	LUBBOCK POWER & LIGHT-CO-OP - LUBBOCK POWER & LIGHT-WADSWORTH 69KV CKT 1	141.2	0.00911	111.0007	LUBBOCK POWER & LIGHT-MILWAUKEE (M-E C0681251) 230/69/13.5KV TRANSFORMER CKT
25SP	00NR		2	TO->FROM	G15_031_115	LUBBOCK POWER & LIGHT-CO-OP - LUBBOCK POWER & LIGHT-WADSWORTH 69KV CKT 1	141.2	0.00911	111.0007	SPP-SWPS-K39
15SP	00NR		2	TO->FROM	G15_031_115	LUBBOCK POWER & LIGHT-CO-OP - LUBBOCK POWER & LIGHT-WADSWORTH 69KV CKT 1	108	0.01053	109.7769	BASE CASE
25SP	00NR		2	TO->FROM	G15_031_115	LUBBOCK POWER & LIGHT-CO-OP - LUBBOCK POWER & LIGHT-WADSWORTH 69KV CKT 1	141.2	0.00738	108.7918	LUBBOCK POWER & LIGHT-OLIVER - LUBBOCK POWER & LIGHT-SOUTHEAST 69KV CKT 1
15SP	00NR		2	TO->FROM	G15_031_115	LUBBOCK POWER & LIGHT-CO-OP - LUBBOCK POWER & LIGHT-WADSWORTH 69KV CKT 1	143	0.01206	104.558	LUBBOCK POWER & LIGHT-SLATON - LUBBOCK POWER & LIGHT-SOUTHEAST 69KV CKT 1
25SP	00NR		2	TO->FROM	G15_031_115	LUBBOCK POWER & LIGHT-CO-OP - LUBBOCK POWER & LIGHT-WADSWORTH 69KV CKT 1	141.2	0.00892	103.4533	LUBBOCK POWER & LIGHT-MACKENZIE GEN - LUBBOCK POWER & LIGHT-NORTHEAST 69KV
20SP	00NR		2	TO->FROM	G15_031_115	LUBBOCK POWER & LIGHT-CO-OP - LUBBOCK POWER & LIGHT-WADSWORTH 69KV CKT 1	143	0.01211	103.3797	LUBBOCK POWER & LIGHT-HOLLY GEN - LUBBOCK POWER & LIGHT-NORTHEAST 69KV CKT 1
20SP	00NR		2	TO->FROM	G15_031_115	LUBBOCK POWER & LIGHT-CO-OP - LUBBOCK POWER & LIGHT-WADSWORTH 69KV CKT 1	143	0.01348	103.3175	LUBBOCK POWER & LIGHT-SOUTHEAST - LUBBOCK SOUTH INTERCHANGE 230KV CKT 1
25SP	00NR		2	TO->FROM	G15_031_115	LUBBOCK POWER & LIGHT-CO-OP - LUBBOCK POWER & LIGHT-WADSWORTH 69KV CKT 1	141.2	0.00798	102.8286	LUBBOCK POWER & LIGHT-SOUTHEAST (ABB 60258) 230/69/13.5KV TRANSFORMER CKT 1
25SP	00NR		2	TO->FROM	G15_031_115	LUBBOCK POWER & LIGHT-CO-OP - LUBBOCK POWER & LIGHT-WADSWORTH 69KV CKT 1	141.2	0.00792	102.3201	LUBBOCK POWER & LIGHT-SOUTHEAST (FRM WADSWRTH) 230/69/13.5KV TRANSFORMER
25SP	00NR		2	TO->FROM	G15_031_115	LUBBOCK POWER & LIGHT-CO-OP - LUBBOCK POWER & LIGHT-WADSWORTH 69KV CKT 1	141.2	0.00745	101.5829	LUBBOCK POWER & LIGHT-CHALKER - LUBBOCK POWER & LIGHT-THOMPSON 69KV CKT 1
25SP	00NR		2	TO->FROM	G15_031_115	LUBBOCK POWER & LIGHT-CO-OP - LUBBOCK POWER & LIGHT-WADSWORTH 69KV CKT 1	141.2	0.00654	100.8938	LUBBOCK POWER & LIGHT-HOLLY GEN - LUBBOCK POWER & LIGHT-SOUTHEAST 69KV CKT 1
25SP	00NR		2	TO->FROM	G15_031_115	LUBBOCK POWER & LIGHT-CO-OP - LUBBOCK POWER & LIGHT-WADSWORTH 69KV CKT 1	141.2	0.00738	100.5057	LUBBOCK POWER & LIGHT-CHALKER - LUBBOCK POWER & LIGHT-OLIVER 69KV CKT 1
25SP	00NR		2	TO->FROM	G15_031_115	LUBBOCK POWER & LIGHT-SLATON - LUBBOCK POWER & LIGHT-SOUTHEAST 69KV CKT 1	143	0.00729	121.1797	LUBBOCK POWER & LIGHT-CO-OP - LUBBOCK POWER & LIGHT-WADSWORTH 69KV CKT 1
20SP	00NR		2	TO->FROM	G15_031_115	LUBBOCK POWER & LIGHT-SLATON - LUBBOCK POWER & LIGHT-SOUTHEAST 69KV CKT 1	142.8	0.00986	110.8249	LUBBOCK POWER & LIGHT-CO-OP - LUBBOCK POWER & LIGHT-WADSWORTH 69KV CKT 1
20SP	00NR		2	TO->FROM	G15_031_115	LUBBOCK POWER & LIGHT-SLATON - LUBBOCK POWER & LIGHT-SOUTHEAST 69KV CKT 1	142.8	0.00591	109.0147	LUBBOCK POWER & LIGHT-OLIVER - LUBBOCK POWER & LIGHT-SOUTHEAST 69KV CKT 1
20WP	06ALL		2	TO->FROM	G15_031_115	NORGE ROAD - SOUTHWESTERN STATION 138KV CKT 1	135.7	0.01123	110.7561	SOUTHWESTERN STATION - VERDEN 138KV CKT 1
20WP	06ALL		2	TO->FROM	G15_031_115	NORGE ROAD - SOUTHWESTERN STATION 138KV CKT 1	135.7	0.01123	109.2822	NORTH 29TH CHICKASHA - VERDEN 138KV CKT 1
20WP	06ALL		2	TO->FROM	G15_031_115	NORGE ROAD - SOUTHWESTERN STATION 138KV CKT 1	135.7	0.01609	106.4716	CIMARRON - MINCO 345KV CKT 1
20WP	06ALL		2	TO->FROM	G15_031_115	NORGE ROAD - SOUTHWESTERN STATION 138KV CKT 1	135.7	0.01123	106.2609	CORNVILLE - NORTH 29TH CHICKASHA 138KV CKT 1
20WP	06ALL		2	TO->FROM	G15_031_115	NORGE ROAD - SOUTHWESTERN STATION 138KV CKT 1	135.7	0.0104	104.1297	ANADARKO - CORN TAP 138KV CKT 1
20WP	06ALL		2	TO->FROM	G15_031_115	NORGE ROAD - SOUTHWESTERN STATION 138KV CKT 1	135.7	0.01609	102.9344	GRACEMONT - MINCO 345KV CKT 1
25SP	06ALL		2	TO->FROM	G15_031_115	NORGE ROAD - SOUTHWESTERN STATION 138KV CKT 1	135.8	0.0108	100.0972	SOUTHWESTERN STATION - VERDEN 138KV CKT 1
15SP	06ALL		2	FROM->TO	G15_031_115	PRINGLE INTERCHANGE - SPEARMAN INTERCHANGE 115KV CKT 1	159.7	0.03618	103.4803	PRINGLE INTERCHANGE - SPEARMAN INTERCHANGE 115KV CKT 2
15WP	06ALL		2	FROM->TO	G15_031_115	PRINGLE INTERCHANGE - SPEARMAN INTERCHANGE 115KV CKT 1	159.7	0.03618	103.4803	PRINGLE INTERCHANGE - SPEARMAN INTERCHANGE 115KV CKT 2
20SP	06ALL		2	FROM->TO	G15_031_115	PRINGLE INTERCHANGE - SPEARMAN INTERCHANGE 115KV CKT 1	159.7	0.03618	103.4803	PRINGLE INTERCHANGE - SPEARMAN INTERCHANGE 115KV CKT 2
15G	06ALL		2	FROM->TO	G15_031_115	PRINGLE INTERCHANGE - SPEARMAN INTERCHANGE 115KV CKT 1	158.4	0.03489	102.2033	PRINGLE INTERCHANGE - SPEARMAN INTERCHANGE 115KV CKT 2
15G	06ALL		2	FROM->TO	G15_031_115	SHAMROCK (SHAMRCK1) 115/69/14.4KV TRANSFORMER CKT 1	66	0.0132	105.2909	CHISHOLM6 230.00 - SWEETWATER 230KV CKT 1
15G	06ALL		2	FROM->TO	G15_031_115	SHAMROCK (SHAMRCK1) 115/69/14.4KV TRANSFORMER CKT 1	66	0.01201	104.797	HWRDWCK2 69.000 - JERICO 69KV CKT 1
15G	06ALL		2	FROM->TO	G15_031_115	SHAMROCK (SHAMRCK1) 115/69/14.4KV TRANSFORMER CKT 1	66	0.01201	104.797	JERICO - KIRBY SWITCHING STATION 115KV CKT 1
15G	06ALL		2	FROM->TO	G15_031_115	SHAMROCK (SHAMRCK1) 115/69/14.4KV TRANSFORMER CKT 1	66	0.01201	104.797	JERICO (JERIC2WT) 115/69/14.4KV TRANSFORMER CKT 1
15G	06ALL		2	FROM->TO	G15_031_115	SHAMROCK (SHAMRCK1) 115/69/14.4KV TRANSFORMER CKT 1	66	0.01201	104.0394	CLARENDON - HWRDWCK2 69.000 69KV CKT 1
15G	06ALL		2	FROM->TO	G15_031_115	SHAMROCK (SHAMRCK1) 115/69/14.4KV TRANSFORMER CKT 1	66	0.0131	103.8879	G14-074T 345.00 - OKLAUNION 345KV CKT 1
15G	06ALL		2	FROM->TO	G15_031_115	SHAMROCK (SHAMRCK1) 115/69/14.4KV TRANSFORMER CKT 1	67.1	0.0132	103.7139	CHISHOLM6 230.00 - SWEETWATER 230KV CKT 1
15G	06ALL		2	FROM->TO	G15_031_115	SHAMROCK (SHAMRCK1) 115/69/14.4KV TRANSFORMER CKT 1	67.1	0.01201	103.377	HWRDWCK2 69.000 - JERICO 69KV CKT 1
15G	06ALL		2	FROM->TO	G15_031_115	SHAMROCK (SHAMRCK1) 115/69/14.4KV TRANSFORMER CKT 1	67.1	0.01201	103.377	JERICO - KIRBY SWITCHING STATION 115KV CKT 1
15G	06ALL		2	FROM->TO	G15_031_115	SHAMROCK (SHAMRCK1) 115/69/14.4KV TRANSFORMER CKT 1	67.1	0.01201	103.377	JERICO (JERIC2WT) 115/69/14.4KV TRANSFORMER CKT 1
15G	06ALL		2	FROM->TO	G15_031_115	SHAMROCK (SHAMRCK1) 115/69/14.4KV TRANSFORMER CKT 1	66	0.0132	103.0182	GRAPEVINE INTERCHANGE - STATELINE INTERCHANGE 230KV CKT 1
15G	06ALL		2	FROM->TO	G15_031_115	SHAMROCK (SHAMRCK1) 115/69/14.4KV TRANSFORMER CKT 1	66	0.01219	102.6788	CHISHOLM6 230.00 - ELK CITY 230KV 230KV CKT 1
15G	06ALL		2	FROM->TO	G15_031_115	SHAMROCK (SHAMRCK1) 115/69/14.4KV TRANSFORMER CKT 1	66	0.01219	102.6788	ELK CITY 230KV (ELKCTY-6) 230/138/13.8KV TRANSFORMER CKT 1
15G	06ALL		2	FROM->TO	G15_031_115	SHAMROCK (SHAMRCK1) 115/69/14.4KV TRANSFORMER CKT 1	67.1	0.01201	102.6319	CLARENDON - HWRDWCK2 69.000 69KV CKT 1
15G	06ALL		2	FROM->TO	G15_031_115	SHAMROCK (SHAMRCK1) 115/69/14.4KV TRANSFORMER CKT 1	66	0.01257	102.5697	CHISHOLM7 345.00 - GRACEMONT 345KV CKT 1
15G	06ALL		2	FROM->TO	G15_031_115	SHAMROCK (SHAMRCK1) 115/69/14.4KV TRANSFORMER CKT 1	67.1	0.0131	102.4829	G14-074T 345.00 - OKLAUNION 345KV CKT 1
15G	06ALL		2	FROM->TO	G15_031_115	SHAMROCK (SHAMRCK1) 115/69/14.4KV TRANSFORMER CKT 1	67.1	0.0132	101.4784	GRAPEVINE INTERCHANGE - STATELINE INTERCHANGE 230KV CKT 1
15G	06ALL		2	FROM->TO	G15_031_115	SHAMROCK (SHAMRCK1) 115/69/14.4KV TRANSFORMER CKT 1	67.1	0.01219	101.1446	CHISHOLM6 230.00 - ELK CITY 230KV 230KV CKT 1
15G	06ALL		2	FROM->TO	G15_031_115	SHAMROCK (SHAMRCK1) 115/69/14.4KV TRANSFORMER CKT 1	67.1	0.01219	101.1446	ELK CITY 230KV (ELKCTY-6) 230/138/13.8KV TRANSFORMER CKT 1
15G	06ALL		2	FROM->TO	G15_031_115	SHAMROCK (SHAMRCK1) 115/69/14.4KV TRANSFORMER CKT 1	67.1	0.01257	101.0373	CHISHOLM7 345.00 - GRACEMONT 345KV CKT 1
15G	06ALL		2	FROM->TO	G15_031_115	SHAMROCK (SHAMRCK1) 115/69/14.4KV TRANSFORMER CKT 1	66	0.01201	101.0091	CLARENDON - CLARENDON REC 69KV CKT 1
15G	06ALL		2	FROM->TO	G15_031_115	SHAMROCK (SHAMRCK1) 115/69/14.4KV TRANSFORMER CKT 1	66	0.0131	100.5545	G14-074T 345.00 - TUCO INTERCHANGE 345KV CKT 1
20WP	06ALL		2	TO->FROM	G15_031_115	SUNSHINE CANYON - TUTTLE 138KV CKT 1	141.6	0.0221	104.6935	CIMARRON - MINCO 345KV CKT 1
15SP	06ALL		2	TO->FROM	G15_031_115	SUNSHINE CANYON - TUTTLE 138KV CKT 1	141.6	0.02346	104.1356	CIMARRON - MINCO 345KV CKT 1
15WP	06ALL		2	TO->FROM	G15_031_115	SUNSHINE CANYON - TUTTLE 138KV CKT 1	141.6	0.02346	104.1356	CIMARRON - MINCO 345KV CKT 1
20SP	06ALL		2	TO->FROM	G15_031_115	SUNSHINE CANYON - TUTTLE 138KV CKT 1	141.6	0.02346	104.1356	CIMARRON - MINCO 345KV CKT 1

SEASON	GROUP	SCENARIO	DIRECTION	SOURCE	MONITORED ELEMENT	RATE	CONTINGENCY		
						(MVA)	TDF	LOADING %	CONTINGENCY
20WP	06ALL		2 TO->FROM	G15_031_115	SUNSHINE CANYON - TUTTLE 138KV CKT 1	141.6	0.0221	100.1031	GRACEMONT - MINCO 345KV CKT 1
15SP	06ALL		2 FROM->TO	G15_031_115	THOMAS TAP - WEATHERFORD 69KV CKT 1	39	0.00792	114.2051	CLINTON JUNCTION - CLINTON NATURAL GAS TAP 138KV CKT 1
15WP	06ALL		2 FROM->TO	G15_031_115	THOMAS TAP - WEATHERFORD 69KV CKT 1	39	0.00792	114.2051	CLINTON JUNCTION - CLINTON NATURAL GAS TAP 138KV CKT 1
20SP	06ALL		2 FROM->TO	G15_031_115	THOMAS TAP - WEATHERFORD 69KV CKT 1	39	0.00792	114.2051	CLINTON JUNCTION - CLINTON NATURAL GAS TAP 138KV CKT 1
15G	06ALL		2 FROM->TO	G15_031_115	TUCO INTERCHANGE (GE M1022338) 345/230/13.2KV TRANSFORMER CKT 1	555.2	0.17012	102.1877	TUCO INTERCHANGE (SIEM 8743066) 345/230/13.2KV TRANSFORMER CKT 2
15G	06ALL		2 FROM->TO	G15_031_115	TUCO INTERCHANGE (GE M1022338) 345/230/13.2KV TRANSFORMER CKT 1	557.4	0.17012	101.7126	TUCO INTERCHANGE (SIEM 8743066) 345/230/13.2KV TRANSFORMER CKT 2
15G	06ALL		2 FROM->TO	G15_031_115	WICHITA (WICH TX-12) 345/138/13.8KV TRANSFORMER CKT 1	413.2	0.01227	106.6578	WICHITA (WICH TX-11) 345/138/13.8KV TRANSFORMER CKT 1
15G	06ALL		2 FROM->TO	G15_031_115	WICHITA (WICH TX-12) 345/138/13.8KV TRANSFORMER CKT 1	419.7	0.01227	104.8868	WICHITA (WICH TX-11) 345/138/13.8KV TRANSFORMER CKT 1
25SP	00NR		2 FROM->TO	G15_031_115	WOLFFORTH INTERCHANGE (WH 7001668) 230/115/13.2KV TRANSFORMER CKT 1	140.4	0.02037	100.7913	CARLISLE INTERCHANGE - LP-DOUD_TP 3115.00 115KV CKT 1
15G	06ALL		3 TO->FROM	G15_031_115	ANADARKO - GRACMNT4 138.00 138KV CKT 1	225.1	0.05426	127.6864	CIMARRON - MINCO 345KV CKT 1
15G	06ALL		3 TO->FROM	G15_031_115	ANADARKO - GRACMNT4 138.00 138KV CKT 1	225.1	0.05426	119.5122	GRACEMONT - MINCO 345KV CKT 1
15G	06ALL		3 TO->FROM	G15_031_115	ANADARKO - GRACMNT4 138.00 138KV CKT 1	225.1	0.03061	106.9853	SOUTHWESTERN STATION - WASHITA 138KV CKT 1
15SP	06ALL		3 TO->FROM	G15_031_115	CLINTON JUNCTION - ELK CITY 138KV CKT 1	148.8	0.04253	140.5726	CHISHOLM7 345.00 - GRACEMONT 345KV CKT 1
15WP	06ALL		3 TO->FROM	G15_031_115	CLINTON JUNCTION - ELK CITY 138KV CKT 1	148.8	0.04253	140.5726	CHISHOLM7 345.00 - GRACEMONT 345KV CKT 1
20SP	06ALL		3 TO->FROM	G15_031_115	CLINTON JUNCTION - ELK CITY 138KV CKT 1	148.8	0.04253	140.5726	CHISHOLM7 345.00 - GRACEMONT 345KV CKT 1
15G	06ALL		3 TO->FROM	G15_031_115	CLINTON JUNCTION - ELK CITY 138KV CKT 1	185.1	0.04112	124.0011	CHISHOLM7 345.00 - GRACEMONT 345KV CKT 1
15SP	06ALL		3 TO->FROM	G15_031_115	CLINTON JUNCTION - ELK CITY 138KV CKT 1	148.8	0.03624	122.8266	G14-074T 345.00 - OKLAUNION 345KV CKT 1
15WP	06ALL		3 TO->FROM	G15_031_115	CLINTON JUNCTION - ELK CITY 138KV CKT 1	148.8	0.03624	122.8266	G14-074T 345.00 - OKLAUNION 345KV CKT 1
20SP	06ALL		3 TO->FROM	G15_031_115	CLINTON JUNCTION - ELK CITY 138KV CKT 1	148.8	0.03624	122.8266	G14-074T 345.00 - OKLAUNION 345KV CKT 1
15SP	06ALL		3 TO->FROM	G15_031_115	CLINTON JUNCTION - ELK CITY 138KV CKT 1	148.8	0.03624	118.7944	G14-074T 345.00 - TUCO INTERCHANGE 345KV CKT 1
15WP	06ALL		3 TO->FROM	G15_031_115	CLINTON JUNCTION - ELK CITY 138KV CKT 1	148.8	0.03624	118.7944	G14-074T 345.00 - TUCO INTERCHANGE 345KV CKT 1
20SP	06ALL		3 TO->FROM	G15_031_115	CLINTON JUNCTION - ELK CITY 138KV CKT 1	148.8	0.03624	118.7944	G14-074T 345.00 - TUCO INTERCHANGE 345KV CKT 1
15SP	06ALL		3 TO->FROM	G15_031_115	CLINTON JUNCTION - ELK CITY 138KV CKT 1	148.8	0.03246	118.0309	NORTHWEST - TATONGA7 345.00 345KV CKT 1
15WP	06ALL		3 TO->FROM	G15_031_115	CLINTON JUNCTION - ELK CITY 138KV CKT 1	148.8	0.03246	118.0309	NORTHWEST - TATONGA7 345.00 345KV CKT 1
20SP	06ALL		3 TO->FROM	G15_031_115	CLINTON JUNCTION - ELK CITY 138KV CKT 1	148.8	0.03246	118.0309	NORTHWEST - TATONGA7 345.00 345KV CKT 1
15SP	06ALL		3 TO->FROM	G15_031_115	CLINTON JUNCTION - ELK CITY 138KV CKT 1	148.8	0.03246	117.5605	SPSCont-05b
15WP	06ALL		3 TO->FROM	G15_031_115	CLINTON JUNCTION - ELK CITY 138KV CKT 1	148.8	0.03246	117.5605	SPSCont-05b
20SP	06ALL		3 TO->FROM	G15_031_115	CLINTON JUNCTION - ELK CITY 138KV CKT 1	148.8	0.03246	117.5605	SPSCont-05b
15SP	06ALL		3 TO->FROM	G15_031_115	CLINTON JUNCTION - ELK CITY 138KV CKT 1	148.8	0.03246	117.1573	SPSCont-04
15WP	06ALL		3 TO->FROM	G15_031_115	CLINTON JUNCTION - ELK CITY 138KV CKT 1	148.8	0.03246	117.1573	SPSCont-04
20SP	06ALL		3 TO->FROM	G15_031_115	CLINTON JUNCTION - ELK CITY 138KV CKT 1	148.8	0.03246	117.1573	SPSCont-04
15SP	06ALL		3 TO->FROM	G15_031_115	CLINTON JUNCTION - ELK CITY 138KV CKT 1	148.8	0.03306	116.9839	DBL-THIS-WWRD
15WP	06ALL		3 TO->FROM	G15_031_115	CLINTON JUNCTION - ELK CITY 138KV CKT 1	148.8	0.03306	116.9839	DBL-THIS-WWRD
20SP	06ALL		3 TO->FROM	G15_031_115	CLINTON JUNCTION - ELK CITY 138KV CKT 1	148.8	0.03306	116.9839	DBL-THIS-WWRD
15SP	06ALL		3 TO->FROM	G15_031_115	CLINTON JUNCTION - ELK CITY 138KV CKT 1	148.8	0.03243	115.5282	CLINTON AIR FORCE BASE TAP - ELK CITY 138KV CKT 1
15WP	06ALL		3 TO->FROM	G15_031_115	CLINTON JUNCTION - ELK CITY 138KV CKT 1	148.8	0.03243	115.5282	CLINTON AIR FORCE BASE TAP - ELK CITY 138KV CKT 1
20SP	06ALL		3 TO->FROM	G15_031_115	CLINTON JUNCTION - ELK CITY 138KV CKT 1	148.8	0.03243	115.5282	CLINTON AIR FORCE BASE TAP - ELK CITY 138KV CKT 1
15SP	06ALL		3 TO->FROM	G15_031_115	CLINTON JUNCTION - ELK CITY 138KV CKT 1	148.8	0.03553	115.3145	CHISHOLM7 345.00 - WOODWARD DISTRICT EHV 345KV CKT 1
15WP	06ALL		3 TO->FROM	G15_031_115	CLINTON JUNCTION - ELK CITY 138KV CKT 1	148.8	0.03553	115.3145	CHISHOLM7 345.00 - WOODWARD DISTRICT EHV 345KV CKT 1
20SP	06ALL		3 TO->FROM	G15_031_115	CLINTON JUNCTION - ELK CITY 138KV CKT 1	148.8	0.03553	115.3145	CHISHOLM7 345.00 - WOODWARD DISTRICT EHV 345KV CKT 1
15SP	06ALL		3 TO->FROM	G15_031_115	CLINTON JUNCTION - ELK CITY 138KV CKT 1	148.8	0.03243	114.6546	CLINTON AIR FORCE BASE TAP - HOBART JUNCTION 138KV CKT 1
15WP	06ALL		3 TO->FROM	G15_031_115	CLINTON JUNCTION - ELK CITY 138KV CKT 1	148.8	0.03243	114.6546	CLINTON AIR FORCE BASE TAP - HOBART JUNCTION 138KV CKT 1
20SP	06ALL		3 TO->FROM	G15_031_115	CLINTON JUNCTION - ELK CITY 138KV CKT 1	148.8	0.03243	114.6546	CLINTON AIR FORCE BASE TAP - HOBART JUNCTION 138KV CKT 1
15SP	06ALL		3 TO->FROM	G15_031_115	CLINTON JUNCTION - ELK CITY 138KV CKT 1	148.8	0.03246	113.461	G11_051T 345.00 - TATONGA7 345.00 345KV CKT 1
15WP	06ALL		3 TO->FROM	G15_031_115	CLINTON JUNCTION - ELK CITY 138KV CKT 1	148.8	0.03246	113.461	G11_051T 345.00 - TATONGA7 345.00 345KV CKT 1
20SP	06ALL		3 TO->FROM	G15_031_115	CLINTON JUNCTION - ELK CITY 138KV CKT 1	148.8	0.03246	113.461	G11_051T 345.00 - TATONGA7 345.00 345KV CKT 1
20WP	06ALL		3 TO->FROM	G15_031_115	CLINTON JUNCTION - ELK CITY 138KV CKT 1	151.1	0.0422	109.3766	CHISHOLM7 345.00 - GRACEMONT 345KV CKT 1
15G	06ALL		3 TO->FROM	G15_031_115	CLINTON JUNCTION - ELK CITY 138KV CKT 1	185.1	0.03495	105.7763	G14-074T 345.00 - OKLAUNION 345KV CKT 1
15G	06ALL		3 TO->FROM	G15_031_115	CLINTON JUNCTION - ELK CITY 138KV CKT 1	185.1	0.03495	102.6429	G14-074T 345.00 - TUCO INTERCHANGE 345KV CKT 1
15G	06ALL		3 TO->FROM	G15_031_115	CLINTON JUNCTION - ELK CITY 138KV CKT 1	185.1	0.0314	102.3198	NORTHWEST - TATONGA7 345.00 345KV CKT 1
15G	06ALL		3 TO->FROM	G15_031_115	CLINTON JUNCTION - ELK CITY 138KV CKT 1	185.1	0.0314	101.9416	SPSCont-05b
15G	06ALL		3 TO->FROM	G15_031_115	CLINTON JUNCTION - ELK CITY 138KV CKT 1	185.1	0.0314	101.6175	SPSCont-04
15G	06ALL		3 TO->FROM	G15_031_115	CLINTON JUNCTION - ELK CITY 138KV CKT 1	185.1	0.03123	101.4511	CLINTON AIR FORCE BASE TAP - ELK CITY 138KV CKT 1
15G	06ALL		3 TO->FROM	G15_031_115	CLINTON JUNCTION - ELK CITY 138KV CKT 1	185.1	0.03123	100.8568	CLINTON AIR FORCE BASE TAP - HOBART JUNCTION 138KV CKT 1
15G	06ALL		3 TO->FROM	G15_031_115	CLINTON JUNCTION - ELK CITY 138KV CKT 1	185.1	0.03441	100.1675	CHISHOLM7 345.00 - WOODWARD DISTRICT EHV 345KV CKT 1
15SP	06ALL		3 FROM->TO	G15_031_115	ELK CITY 230KV (ELKCTY-6) 230/138/13.8KV TRANSFORMER CKT 1	446.4	0.10135	117.0408	CHISHOLM7 345.00 - GRACEMONT 345KV CKT 1
15WP	06ALL		3 FROM->TO	G15_031_115	ELK CITY 230KV (ELKCTY-6) 230/138/13.8KV TRANSFORMER CKT 1	446.4	0.10135	117.0408	CHISHOLM7 345.00 - GRACEMONT 345KV CKT 1
20SP	06ALL		3 FROM->TO	G15_031_115	ELK CITY 230KV (ELKCTY-6) 230/138/13.8KV TRANSFORMER CKT 1	446.4	0.10135	117.0408	CHISHOLM7 345.00 - GRACEMONT 345KV CKT 1
15G	06ALL		3 FROM->TO	G15_031_115	ELK CITY 230KV (ELKCTY-6) 230/138/13.8KV TRANSFORMER CKT 1	446.9	0.09581	117.0163	CHISHOLM7 345.00 - GRACEMONT 345KV CKT 1
15G	06ALL		3 FROM->TO	G15_031_115	ELK CITY 230KV (ELKCTY-6) 230/138/13.8KV TRANSFORMER CKT 1	449.3	0.09581	116.5026	CHISHOLM7 345.00 - GRACEMONT 345KV CKT 1
15SP	06ALL		3 FROM->TO	G15_031_115	ELK CITY 230KV (ELKCTY-6) 230/138/13.8KV TRANSFORMER CKT 1	449.3	0.10135	116.3744	CHISHOLM7 345.00 - GRACEMONT 345KV CKT 1
15WP	06ALL		3 FROM->TO	G15_031_115	ELK CITY 230KV (ELKCTY-6) 230/138/13.8KV TRANSFORMER CKT 1	449.3	0.10135	116.3744	CHISHOLM7 345.00 - GRACEMONT 345KV CKT 1
20SP	06ALL		3 FROM->TO	G15_031_115	ELK CITY 230KV (ELKCTY-6) 230/138/13.8KV TRANSFORMER CKT 1	449.3	0.10135	116.3744	CHISHOLM7 345.00 - GRACEMONT 345KV CKT 1
15SP	06ALL		3 FROM->TO	G15_031_115	ELK CITY 230KV (ELKCTY-6) 230/138/13.8KV TRANSFORMER CKT 1	446.4	0.08719	103.6402	G14-074T 345.00 - OKLAUNION 345KV CKT 1
15WP	06ALL		3 FROM->TO	G15_031_115	ELK CITY 230KV (ELKCTY-6) 230/138/13.8KV TRANSFORMER CKT 1	446.4	0.08719	103.6402	G14-074T 345.00 - OKLAUNION 345KV CKT 1

SEASON	GROUP	SCENARIO	DIRECTION	SOURCE	MONITORED ELEMENT	RATE	CONTINGENCY		
						(MVA)	TDF	LOADING %	CONTINGENCY
20SP	06ALL		3 FROM->TO	G15_031_115	ELK CITY 230KV (ELKCTY-6) 230/138/13.8KV TRANSFORMER CKT 1	446.4	0.08719	103.6402	G14-074T 345.00 - OKLAUNION 345KV CKT 1
15SP	06ALL		3 FROM->TO	G15_031_115	ELK CITY 230KV (ELKCTY-6) 230/138/13.8KV TRANSFORMER CKT 1	449.3	0.08719	103.0826	G14-074T 345.00 - OKLAUNION 345KV CKT 1
15WP	06ALL		3 FROM->TO	G15_031_115	ELK CITY 230KV (ELKCTY-6) 230/138/13.8KV TRANSFORMER CKT 1	449.3	0.08719	103.0826	G14-074T 345.00 - OKLAUNION 345KV CKT 1
20SP	06ALL		3 FROM->TO	G15_031_115	ELK CITY 230KV (ELKCTY-6) 230/138/13.8KV TRANSFORMER CKT 1	449.3	0.08719	103.0826	G14-074T 345.00 - OKLAUNION 345KV CKT 1
15SP	06ALL		3 FROM->TO	G15_031_115	ELK CITY 230KV (ELKCTY-6) 230/138/13.8KV TRANSFORMER CKT 1	446.4	0.09319	101.8154	CHISHOLM7 345.00 - WOODWARD DISTRICT EHV 345KV CKT 1
15WP	06ALL		3 FROM->TO	G15_031_115	ELK CITY 230KV (ELKCTY-6) 230/138/13.8KV TRANSFORMER CKT 1	446.4	0.09319	101.8154	CHISHOLM7 345.00 - WOODWARD DISTRICT EHV 345KV CKT 1
20SP	06ALL		3 FROM->TO	G15_031_115	ELK CITY 230KV (ELKCTY-6) 230/138/13.8KV TRANSFORMER CKT 1	446.4	0.09319	101.8154	CHISHOLM7 345.00 - WOODWARD DISTRICT EHV 345KV CKT 1
15SP	06ALL		3 FROM->TO	G15_031_115	ELK CITY 230KV (ELKCTY-6) 230/138/13.8KV TRANSFORMER CKT 1	449.3	0.09319	101.2473	CHISHOLM7 345.00 - WOODWARD DISTRICT EHV 345KV CKT 1
15WP	06ALL		3 FROM->TO	G15_031_115	ELK CITY 230KV (ELKCTY-6) 230/138/13.8KV TRANSFORMER CKT 1	449.3	0.09319	101.2473	CHISHOLM7 345.00 - WOODWARD DISTRICT EHV 345KV CKT 1
20SP	06ALL		3 FROM->TO	G15_031_115	ELK CITY 230KV (ELKCTY-6) 230/138/13.8KV TRANSFORMER CKT 1	449.3	0.09319	101.2473	CHISHOLM7 345.00 - WOODWARD DISTRICT EHV 345KV CKT 1
15SP	06ALL		3 FROM->TO	G15_031_115	ELK CITY 230KV (ELKCTY-6) 230/138/13.8KV TRANSFORMER CKT 1	446.4	0.08719	100.1904	G14-074T 345.00 - TUCO INTERCHANGE 345KV CKT 1
15WP	06ALL		3 FROM->TO	G15_031_115	ELK CITY 230KV (ELKCTY-6) 230/138/13.8KV TRANSFORMER CKT 1	446.4	0.08719	100.1904	G14-074T 345.00 - TUCO INTERCHANGE 345KV CKT 1
20SP	06ALL		3 FROM->TO	G15_031_115	ELK CITY 230KV (ELKCTY-6) 230/138/13.8KV TRANSFORMER CKT 1	446.4	0.08719	100.1904	G14-074T 345.00 - TUCO INTERCHANGE 345KV CKT 1
15G	06ALL		3 FROM->TO	G15_031_115	FPL SWITCH - MOORELAND 138KV CKT 1	284.1	0.04531	119.0891	DBL-THIS-WWRD
15G	06ALL		3 FROM->TO	G15_031_115	FPL SWITCH - MOORELAND 138KV CKT 1	284.1	0.03682	111.6107	NORTHWEST - TATONGA7 345.00 345KV CKT 1
15G	06ALL		3 FROM->TO	G15_031_115	FPL SWITCH - MOORELAND 138KV CKT 1	284.1	0.03682	110.0619	SPSCont-04
15G	06ALL		3 FROM->TO	G15_031_115	FPL SWITCH - MOORELAND 138KV CKT 1	284.1	0.03682	109.8156	SPSCont-05b
15G	06ALL		3 FROM->TO	G15_031_115	FPL SWITCH - MOORELAND 138KV CKT 1	284.1	0.03663	108.3069	CHISHOLM6 230.00 - ELK CITY 230KV 230KV CKT 1
15G	06ALL		3 FROM->TO	G15_031_115	FPL SWITCH - MOORELAND 138KV CKT 1	284.1	0.03663	108.3069	ELK CITY 230KV (ELKCTY-6) 230/138/13.8KV TRANSFORMER CKT 1
15G	06ALL		3 FROM->TO	G15_031_115	FPL SWITCH - MOORELAND 138KV CKT 1	284.1	0.03682	104.6061	G11_051T 345.00 - TATONGA7 345.00 345KV CKT 1
15G	06ALL		3 FROM->TO	G15_031_115	FPL SWITCH - MOORELAND 138KV CKT 1	284.1	0.03682	103.8317	G11_051T 345.00 - WOODWARD DISTRICT EHV 345KV CKT 1
15G	06ALL		3 FROM->TO	G15_031_115	FPL SWITCH - MOORELAND 138KV CKT 1	284.1	0.03682	102.1422	SPSCont-05ax
15G	06ALL		3 TO->FROM	G15_031_115	FPL SWITCH - WOODWARD 138KV CKT 1	285.1	0.04531	112.2876	DBL-THIS-WWRD
15G	06ALL		3 TO->FROM	G15_031_115	FPL SWITCH - WOODWARD 138KV CKT 1	285.1	0.03682	104.8706	NORTHWEST - TATONGA7 345.00 345KV CKT 1
15G	06ALL		3 TO->FROM	G15_031_115	FPL SWITCH - WOODWARD 138KV CKT 1	285.1	0.03682	103.3272	SPSCont-04
15G	06ALL		3 TO->FROM	G15_031_115	FPL SWITCH - WOODWARD 138KV CKT 1	285.1	0.03682	103.0817	SPSCont-05b
15G	06ALL		3 TO->FROM	G15_031_115	FPL SWITCH - WOODWARD 138KV CKT 1	285.1	0.03663	101.5784	CHISHOLM6 230.00 - ELK CITY 230KV 230KV CKT 1
15G	06ALL		3 TO->FROM	G15_031_115	FPL SWITCH - WOODWARD 138KV CKT 1	285.1	0.03663	101.5784	ELK CITY 230KV (ELKCTY-6) 230/138/13.8KV TRANSFORMER CKT 1
15G	06ALL		3 FROM->TO	G15_031_115	Harrington Station East Bus - POTTER COUNTY INTERCHANGE 230KV CKT 1	346.8	0.05172	106.7647	CHERRY1 - HARRINGTON STATION 230KV CKT 1
15G	06ALL		3 FROM->TO	G15_031_115	Harrington Station East Bus - POTTER COUNTY INTERCHANGE 230KV CKT 1	346.8	0.06088	102.9908	CHERRY1 - POTTER COUNTY INTERCHANGE 230KV CKT 1
15SP	06ALL		3 FROM->TO	G15_031_115	PRINGLE INTERCHANGE - SPEARMAN INTERCHANGE 115KV CKT 1	159.7	0.03617	103.4765	PRINGLE INTERCHANGE - SPEARMAN INTERCHANGE 115KV CKT 2
15WP	06ALL		3 FROM->TO	G15_031_115	PRINGLE INTERCHANGE - SPEARMAN INTERCHANGE 115KV CKT 1	159.7	0.03617	103.4765	PRINGLE INTERCHANGE - SPEARMAN INTERCHANGE 115KV CKT 2
20SP	06ALL		3 FROM->TO	G15_031_115	PRINGLE INTERCHANGE - SPEARMAN INTERCHANGE 115KV CKT 1	159.7	0.03617	103.4765	PRINGLE INTERCHANGE - SPEARMAN INTERCHANGE 115KV CKT 2
15G	06ALL		3 FROM->TO	G15_031_115	PRINGLE INTERCHANGE - SPEARMAN INTERCHANGE 115KV CKT 1	158.4	0.03488	102.1995	PRINGLE INTERCHANGE - SPEARMAN INTERCHANGE 115KV CKT 2
15G	06ALL		3 FROM->TO	G15_031_115	TUCO INTERCHANGE (GE M1022338) 345/230/13.2KV TRANSFORMER CKT 1	555.2	1.17054	102.2475	TUCO INTERCHANGE (SIEM 8743066) 345/230/13.2KV TRANSFORMER CKT 2
15G	06ALL		3 FROM->TO	G15_031_115	TUCO INTERCHANGE (GE M1022338) 345/230/13.2KV TRANSFORMER CKT 1	557.4	1.17054	101.7722	TUCO INTERCHANGE (SIEM 8743066) 345/230/13.2KV TRANSFORMER CKT 2
20WP	06ALL		0 FROM->TO	G15_032_230	ANADARKO - CORN TAP 138KV CKT 1	142.8	0.01474	100.2129	CIMARRON - MINCO 345KV CKT 1
15G	06ALL		0 TO->FROM	G15_032_230	ANADARKO - GRACMNT4 138.00 138KV CKT 1	225.1	0.05348	127.6837	CIMARRON - MINCO 345KV CKT 1
15G	06ALL		0 TO->FROM	G15_032_230	ANADARKO - GRACMNT4 138.00 138KV CKT 1	225.1	0.05348	119.5095	GRACEMONT - MINCO 345KV CKT 1
15G	06ALL		0 TO->FROM	G15_032_230	ANADARKO - GRACMNT4 138.00 138KV CKT 1	225.1	0.03046	106.9853	SOUTHWESTERN STATION - WASHITA 138KV CKT 1
15SP	06ALL		0 FROM->TO	G15_032_230	BENTLEY4 138.00 - HALSTEAD SOUTH BUS 138KV CKT 1	142.2	0.00691	108.2771	RENO COUNTY - WICHITA 345KV CKT 1
15WP	06ALL		0 FROM->TO	G15_032_230	BENTLEY4 138.00 - HALSTEAD SOUTH BUS 138KV CKT 1	142.2	0.00691	108.2771	RENO COUNTY - WICHITA 345KV CKT 1
20SP	06ALL		0 FROM->TO	G15_032_230	BENTLEY4 138.00 - HALSTEAD SOUTH BUS 138KV CKT 1	142.2	0.00691	108.2771	RENO COUNTY - WICHITA 345KV CKT 1
20WP	06ALL		0 FROM->TO	G15_032_230	CLEARWATER - GILL ENERGY CENTER WEST 138KV CKT 1	142.2	0.01391	102.4191	GILL ENERGY CENTER SOUTH - VIOLA 4 138.00 138KV CKT 1
15SP	06ALL		0 TO->FROM	G15_032_230	CLINTON CITY - FOSS TAP 69KV CKT 1	74.5	0.00789	103.4094	CLINTON JUNCTION - CLINTON NATURAL GAS TAP 138KV CKT 1
15WP	06ALL		0 TO->FROM	G15_032_230	CLINTON CITY - FOSS TAP 69KV CKT 1	74.5	0.00789	103.4094	CLINTON JUNCTION - CLINTON NATURAL GAS TAP 138KV CKT 1
20SP	06ALL		0 TO->FROM	G15_032_230	CLINTON CITY - FOSS TAP 69KV CKT 1	74.5	0.00789	103.4094	CLINTON JUNCTION - CLINTON NATURAL GAS TAP 138KV CKT 1
15SP	06ALL		0 FROM->TO	G15_032_230	CLINTON CITY - THOMAS TAP 69KV CKT 1	38.9	0.00789	125.5527	CLINTON JUNCTION - CLINTON NATURAL GAS TAP 138KV CKT 1
15WP	06ALL		0 FROM->TO	G15_032_230	CLINTON CITY - THOMAS TAP 69KV CKT 1	38.9	0.00789	125.5527	CLINTON JUNCTION - CLINTON NATURAL GAS TAP 138KV CKT 1
20SP	06ALL		0 FROM->TO	G15_032_230	CLINTON CITY - THOMAS TAP 69KV CKT 1	38.9	0.00789	125.5527	CLINTON JUNCTION - CLINTON NATURAL GAS TAP 138KV CKT 1
20WP	06ALL		0 FROM->TO	G15_032_230	CLINTON CITY - THOMAS TAP 69KV CKT 1	39	0.00753	102.8974	CLINTON JUNCTION - CLINTON NATURAL GAS TAP 138KV CKT 1
15G	06ALL		0 FROM->TO	G15_032_230	CLINTON CITY - THOMAS TAP 69KV CKT 1	47.9	0.00768	101.0731	CLINTON JUNCTION - CLINTON NATURAL GAS TAP 138KV CKT 1
15SP	06ALL		0 TO->FROM	G15_032_230	CLINTON JUNCTION - ELK CITY 138KV CKT 1	148.8	0.0427	140.5726	CHISHOLM7 345.00 - GRACEMONT 345KV CKT 1
15WP	06ALL		0 TO->FROM	G15_032_230	CLINTON JUNCTION - ELK CITY 138KV CKT 1	148.8	0.0427	140.5726	CHISHOLM7 345.00 - GRACEMONT 345KV CKT 1
20SP	06ALL		0 TO->FROM	G15_032_230	CLINTON JUNCTION - ELK CITY 138KV CKT 1	148.8	0.0427	140.5726	CHISHOLM7 345.00 - GRACEMONT 345KV CKT 1
15G	06ALL		0 TO->FROM	G15_032_230	CLINTON JUNCTION - ELK CITY 138KV CKT 1	185.1	0.04129	124.0551	CHISHOLM7 345.00 - GRACEMONT 345KV CKT 1
15SP	06ALL		0 TO->FROM	G15_032_230	CLINTON JUNCTION - ELK CITY 138KV CKT 1	148.8	0.03598	122.8266	G14-074T 345.00 - OKLAUNION 345KV CKT 1
15WP	06ALL		0 TO->FROM	G15_032_230	CLINTON JUNCTION - ELK CITY 138KV CKT 1	148.8	0.03598	122.8266	G14-074T 345.00 - OKLAUNION 345KV CKT 1
20SP	06ALL		0 TO->FROM	G15_032_230	CLINTON JUNCTION - ELK CITY 138KV CKT 1	148.8	0.03598	122.8266	G14-074T 345.00 - OKLAUNION 345KV CKT 1
15SP	06ALL		0 TO->FROM	G15_032_230	CLINTON JUNCTION - ELK CITY 138KV CKT 1	148.8	0.02203	120.3078	ONEY - WASHITA 138KV CKT 1
15WP	06ALL		0 TO->FROM	G15_032_230	CLINTON JUNCTION - ELK CITY 138KV CKT 1	148.8	0.02203	120.3078	ONEY - WASHITA 138KV CKT 1
20SP	06ALL		0 TO->FROM	G15_032_230	CLINTON JUNCTION - ELK CITY 138KV CKT 1	148.8	0.02203	120.3078	ONEY - WASHITA 138KV CKT 1
15SP	06ALL		0 TO->FROM	G15_032_230	CLINTON JUNCTION - ELK CITY 138KV CKT 1	148.8	0.03598	118.7944	G14-074T 345.00 - TUCO INTERCHANGE 345KV CKT 1
15WP	06ALL		0 TO->FROM	G15_032_230	CLINTON JUNCTION - ELK CITY 138KV CKT 1	148.8	0.03598	118.7944	G14-074T 345.00 - TUCO INTERCHANGE 345KV CKT 1
20SP	06ALL		0 TO->FROM	G15_032_230	CLINTON JUNCTION - ELK CITY 138KV CKT 1	148.8	0.03598	118.7944	G14-074T 345.00 - TUCO INTERCHANGE 345KV CKT 1

SEASON	GROUP	SCENARIO	DIRECTION	SOURCE	MONITORED ELEMENT	RATE	CONTINGENCY		
						(MVA)	TDF	LOADING %	CONTINGENCY
15SP	06ALL		0 TO->FROM	G15_032_230	CLINTON JUNCTION - ELK CITY 138KV CKT 1	148.8	0.03264	118.0309	NORTHWEST - TATONGA7 345.00 345KV CKT 1
15WP	06ALL		0 TO->FROM	G15_032_230	CLINTON JUNCTION - ELK CITY 138KV CKT 1	148.8	0.03264	118.0309	NORTHWEST - TATONGA7 345.00 345KV CKT 1
20SP	06ALL		0 TO->FROM	G15_032_230	CLINTON JUNCTION - ELK CITY 138KV CKT 1	148.8	0.03264	118.0309	NORTHWEST - TATONGA7 345.00 345KV CKT 1
15SP	06ALL		0 TO->FROM	G15_032_230	CLINTON JUNCTION - ELK CITY 138KV CKT 1	148.8	0.02203	117.754	BINGER NUJECT - ONEY 138KV CKT 1
15WP	06ALL		0 TO->FROM	G15_032_230	CLINTON JUNCTION - ELK CITY 138KV CKT 1	148.8	0.02203	117.754	BINGER NUJECT - ONEY 138KV CKT 1
20SP	06ALL		0 TO->FROM	G15_032_230	CLINTON JUNCTION - ELK CITY 138KV CKT 1	148.8	0.02203	117.754	BINGER NUJECT - ONEY 138KV CKT 1
15SP	06ALL		0 TO->FROM	G15_032_230	CLINTON JUNCTION - ELK CITY 138KV CKT 1	148.8	0.03264	117.5605	SPSCont-05b
15WP	06ALL		0 TO->FROM	G15_032_230	CLINTON JUNCTION - ELK CITY 138KV CKT 1	148.8	0.03264	117.5605	SPSCont-05b
20SP	06ALL		0 TO->FROM	G15_032_230	CLINTON JUNCTION - ELK CITY 138KV CKT 1	148.8	0.03264	117.5605	SPSCont-05b
15SP	06ALL		0 TO->FROM	G15_032_230	CLINTON JUNCTION - ELK CITY 138KV CKT 1	148.8	0.03264	117.1573	SPSCont-04
15WP	06ALL		0 TO->FROM	G15_032_230	CLINTON JUNCTION - ELK CITY 138KV CKT 1	148.8	0.03264	117.1573	SPSCont-04
20SP	06ALL		0 TO->FROM	G15_032_230	CLINTON JUNCTION - ELK CITY 138KV CKT 1	148.8	0.03264	117.1573	SPSCont-04
15SP	06ALL		0 TO->FROM	G15_032_230	CLINTON JUNCTION - ELK CITY 138KV CKT 1	148.8	0.03318	116.9839	DBL-THIS-WWRD
15WP	06ALL		0 TO->FROM	G15_032_230	CLINTON JUNCTION - ELK CITY 138KV CKT 1	148.8	0.03318	116.9839	DBL-THIS-WWRD
20SP	06ALL		0 TO->FROM	G15_032_230	CLINTON JUNCTION - ELK CITY 138KV CKT 1	148.8	0.03318	116.9839	DBL-THIS-WWRD
15SP	06ALL		0 TO->FROM	G15_032_230	CLINTON JUNCTION - ELK CITY 138KV CKT 1	132.4	0.0287	116.0801	BASE CASE
15WP	06ALL		0 TO->FROM	G15_032_230	CLINTON JUNCTION - ELK CITY 138KV CKT 1	132.4	0.0287	116.0801	BASE CASE
20SP	06ALL		0 TO->FROM	G15_032_230	CLINTON JUNCTION - ELK CITY 138KV CKT 1	132.4	0.0287	116.0801	BASE CASE
15SP	06ALL		0 TO->FROM	G15_032_230	CLINTON JUNCTION - ELK CITY 138KV CKT 1	148.8	0.03259	115.5282	CLINTON AIR FORCE BASE TAP - ELK CITY 138KV CKT 1
15WP	06ALL		0 TO->FROM	G15_032_230	CLINTON JUNCTION - ELK CITY 138KV CKT 1	148.8	0.03259	115.5282	CLINTON AIR FORCE BASE TAP - ELK CITY 138KV CKT 1
20SP	06ALL		0 TO->FROM	G15_032_230	CLINTON JUNCTION - ELK CITY 138KV CKT 1	148.8	0.03259	115.5282	CLINTON AIR FORCE BASE TAP - ELK CITY 138KV CKT 1
15SP	06ALL		0 TO->FROM	G15_032_230	CLINTON JUNCTION - ELK CITY 138KV CKT 1	148.8	0.03543	115.3145	CHISHOLM7 345.00 - WOODWARD DISTRICT EHV 345KV CKT 1
15WP	06ALL		0 TO->FROM	G15_032_230	CLINTON JUNCTION - ELK CITY 138KV CKT 1	148.8	0.03543	115.3145	CHISHOLM7 345.00 - WOODWARD DISTRICT EHV 345KV CKT 1
20SP	06ALL		0 TO->FROM	G15_032_230	CLINTON JUNCTION - ELK CITY 138KV CKT 1	148.8	0.03543	115.3145	CHISHOLM7 345.00 - WOODWARD DISTRICT EHV 345KV CKT 1
15SP	06ALL		0 TO->FROM	G15_032_230	CLINTON JUNCTION - ELK CITY 138KV CKT 1	148.8	0.03259	114.6546	CLINTON AIR FORCE BASE TAP - HOBART JUNCTION 138KV CKT 1
15WP	06ALL		0 TO->FROM	G15_032_230	CLINTON JUNCTION - ELK CITY 138KV CKT 1	148.8	0.03259	114.6546	CLINTON AIR FORCE BASE TAP - HOBART JUNCTION 138KV CKT 1
20SP	06ALL		0 TO->FROM	G15_032_230	CLINTON JUNCTION - ELK CITY 138KV CKT 1	148.8	0.03259	114.6546	CLINTON AIR FORCE BASE TAP - HOBART JUNCTION 138KV CKT 1
15SP	06ALL		0 TO->FROM	G15_032_230	CLINTON JUNCTION - ELK CITY 138KV CKT 1	148.8	0.02203	113.5874	BINGER NUJECT - SICKLES 138KV CKT 1
15WP	06ALL		0 TO->FROM	G15_032_230	CLINTON JUNCTION - ELK CITY 138KV CKT 1	148.8	0.02203	113.5874	BINGER NUJECT - SICKLES 138KV CKT 1
20SP	06ALL		0 TO->FROM	G15_032_230	CLINTON JUNCTION - ELK CITY 138KV CKT 1	148.8	0.02203	113.5874	BINGER NUJECT - SICKLES 138KV CKT 1
15SP	06ALL		0 TO->FROM	G15_032_230	CLINTON JUNCTION - ELK CITY 138KV CKT 1	148.8	0.03264	113.461	G11_051T 345.00 - TATONGA7 345.00 345KV CKT 1
15WP	06ALL		0 TO->FROM	G15_032_230	CLINTON JUNCTION - ELK CITY 138KV CKT 1	148.8	0.03264	113.461	G11_051T 345.00 - TATONGA7 345.00 345KV CKT 1
20SP	06ALL		0 TO->FROM	G15_032_230	CLINTON JUNCTION - ELK CITY 138KV CKT 1	148.8	0.03264	113.461	G11_051T 345.00 - TATONGA7 345.00 345KV CKT 1
15SP	06ALL		0 TO->FROM	G15_032_230	CLINTON JUNCTION - ELK CITY 138KV CKT 1	148.8	0.02203	112.9825	CLINTON JUNCTION - G07-32T 138.00 138KV CKT 1
15WP	06ALL		0 TO->FROM	G15_032_230	CLINTON JUNCTION - ELK CITY 138KV CKT 1	148.8	0.02203	112.9825	CLINTON JUNCTION - G07-32T 138.00 138KV CKT 1
20SP	06ALL		0 TO->FROM	G15_032_230	CLINTON JUNCTION - ELK CITY 138KV CKT 1	148.8	0.02203	112.9825	CLINTON JUNCTION - G07-32T 138.00 138KV CKT 1
15SP	06ALL		0 TO->FROM	G15_032_230	CLINTON JUNCTION - ELK CITY 138KV CKT 1	148.8	0.0287	112.8293	G07-32 138.00 - G07-32T 138.00 138KV CKT 1
15SP	06ALL		0 TO->FROM	G15_032_230	CLINTON JUNCTION - ELK CITY 138KV CKT 1	148.8	0.0287	112.8293	G07-32 138.00 138/34.5KV TRANSFORMER CKT 1
15WP	06ALL		0 TO->FROM	G15_032_230	CLINTON JUNCTION - ELK CITY 138KV CKT 1	148.8	0.0287	112.8293	G07-32 34.500 34.5/12.0KV TRANSFORMER CKT 1
15WP	06ALL		0 TO->FROM	G15_032_230	CLINTON JUNCTION - ELK CITY 138KV CKT 1	148.8	0.0287	112.8293	G07-32 138.00 - G07-32T 138.00 138KV CKT 1
15WP	06ALL		0 TO->FROM	G15_032_230	CLINTON JUNCTION - ELK CITY 138KV CKT 1	148.8	0.0287	112.8293	G07-32 138.00 138/34.5KV TRANSFORMER CKT 1
15WP	06ALL		0 TO->FROM	G15_032_230	CLINTON JUNCTION - ELK CITY 138KV CKT 1	148.8	0.0287	112.8293	G07-32 34.500 34.5/12.0KV TRANSFORMER CKT 1
20SP	06ALL		0 TO->FROM	G15_032_230	CLINTON JUNCTION - ELK CITY 138KV CKT 1	148.8	0.0287	112.8293	G07-32 138.00 - G07-32T 138.00 138KV CKT 1
20SP	06ALL		0 TO->FROM	G15_032_230	CLINTON JUNCTION - ELK CITY 138KV CKT 1	148.8	0.0287	112.8293	G07-32 138.00 138/34.5KV TRANSFORMER CKT 1
20SP	06ALL		0 TO->FROM	G15_032_230	CLINTON JUNCTION - ELK CITY 138KV CKT 1	148.8	0.0287	112.8293	G07-32 34.500 34.5/12.0KV TRANSFORMER CKT 1
15SP	06ALL		0 TO->FROM	G15_032_230	CLINTON JUNCTION - ELK CITY 138KV CKT 1	148.8	0.0287	111.418	WASHITA - WEATHERFORD WIND FARM 34 KV 34.5KV CKT 1
15WP	06ALL		0 TO->FROM	G15_032_230	CLINTON JUNCTION - ELK CITY 138KV CKT 1	148.8	0.0287	111.418	WASHITA - WEATHERFORD WIND FARM 34 KV 34.5KV CKT 1
20SP	06ALL		0 TO->FROM	G15_032_230	CLINTON JUNCTION - ELK CITY 138KV CKT 1	148.8	0.0287	111.418	WASHITA - WEATHERFORD WIND FARM 34 KV 34.5KV CKT 1
20WP	06ALL		0 TO->FROM	G15_032_230	CLINTON JUNCTION - ELK CITY 138KV CKT 1	151.1	0.04235	109.3766	CHISHOLM7 345.00 - GRACEMONT 345KV CKT 1
20WP	06ALL		0 TO->FROM	G15_032_230	CLINTON JUNCTION - ELK CITY 138KV CKT 1	151.1	0.02191	106.454	ONEY - WASHITA 138KV CKT 1
15G	06ALL		0 TO->FROM	G15_032_230	CLINTON JUNCTION - ELK CITY 138KV CKT 1	185.1	0.03468	105.7731	G14-074T 345.00 - OKLAUNION 345KV CKT 1
20WP	06ALL		0 TO->FROM	G15_032_230	CLINTON JUNCTION - ELK CITY 138KV CKT 1	151.1	0.02191	103.8729	BINGER NUJECT - ONEY 138KV CKT 1
15G	06ALL		0 TO->FROM	G15_032_230	CLINTON JUNCTION - ELK CITY 138KV CKT 1	185.1	0.03468	102.6396	G14-074T 345.00 - TUCO INTERCHANGE 345KV CKT 1
15G	06ALL		0 TO->FROM	G15_032_230	CLINTON JUNCTION - ELK CITY 138KV CKT 1	185.1	0.03158	102.3198	NORTHWEST - TATONGA7 345.00 345KV CKT 1
15G	06ALL		0 TO->FROM	G15_032_230	CLINTON JUNCTION - ELK CITY 138KV CKT 1	185.1	0.03158	101.9416	SPSCont-05b
15G	06ALL		0 TO->FROM	G15_032_230	CLINTON JUNCTION - ELK CITY 138KV CKT 1	185.1	0.03158	101.6175	SPSCont-04
15G	06ALL		0 TO->FROM	G15_032_230	CLINTON JUNCTION - ELK CITY 138KV CKT 1	185.1	0.03139	101.5051	CLINTON AIR FORCE BASE TAP - ELK CITY 138KV CKT 1
15G	06ALL		0 TO->FROM	G15_032_230	CLINTON JUNCTION - ELK CITY 138KV CKT 1	185.1	0.03139	100.9109	CLINTON AIR FORCE BASE TAP - HOBART JUNCTION 138KV CKT 1
15G	06ALL		0 TO->FROM	G15_032_230	CLINTON JUNCTION - ELK CITY 138KV CKT 1	185.1	0.03429	100.2215	CHISHOLM7 345.00 - WOODWARD DISTRICT EHV 345KV CKT 1
15SP	06ALL		0 FROM->TO	G15_032_230	CLINTON JUNCTION - FOSS TAP 69KV CKT 1	74.7	0.00789	104.3373	CLINTON JUNCTION - CLINTON NATURAL GAS TAP 138KV CKT 1
15WP	06ALL		0 FROM->TO	G15_032_230	CLINTON JUNCTION - FOSS TAP 69KV CKT 1	74.7	0.00789	104.3373	CLINTON JUNCTION - CLINTON NATURAL GAS TAP 138KV CKT 1
20SP	06ALL		0 FROM->TO	G15_032_230	CLINTON JUNCTION - FOSS TAP 69KV CKT 1	74.7	0.00789	104.3373	CLINTON JUNCTION - CLINTON NATURAL GAS TAP 138KV CKT 1

SEASON	GROUP	SCENARIO	DIRECTION	SOURCE	MONITORED ELEMENT	RATE		CONTINGENCY	
						(MVA)	TDF	LOADING %	CONTINGENCY
15SP	06ALL		0 TO->FROM	G15_032_230	COMANCHE TAP - TOSCO 69KV CKT 1	39	0.00564	103.9128	G14-057T 345.00 - SUNNYSIDE 345KV CKT 1
15WP	06ALL		0 TO->FROM	G15_032_230	COMANCHE TAP - TOSCO 69KV CKT 1	39	0.00564	103.9128	G14-057T 345.00 - SUNNYSIDE 345KV CKT 1
20SP	06ALL		0 TO->FROM	G15_032_230	COMANCHE TAP - TOSCO 69KV CKT 1	39	0.00564	103.9128	G14-057T 345.00 - SUNNYSIDE 345KV CKT 1
15SP	06ALL		0 TO->FROM	G15_032_230	COMANCHE TAP - TOSCO 69KV CKT 1	39	0.00564	101.0923	G14-057T 345.00 - LAWTON EASTSIDE 345KV CKT 1
15WP	06ALL		0 TO->FROM	G15_032_230	COMANCHE TAP - TOSCO 69KV CKT 1	39	0.00564	101.0923	G14-057T 345.00 - LAWTON EASTSIDE 345KV CKT 1
20SP	06ALL		0 TO->FROM	G15_032_230	COMANCHE TAP - TOSCO 69KV CKT 1	39	0.00564	101.0923	G14-057T 345.00 - LAWTON EASTSIDE 345KV CKT 1
15SP	06ALL		0 FROM->TO	G15_032_230	DUNCAN - TOSCO 69KV CKT 1	38.9	0.00564	108.2931	G14-057T 345.00 - SUNNYSIDE 345KV CKT 1
15WP	06ALL		0 FROM->TO	G15_032_230	DUNCAN - TOSCO 69KV CKT 1	38.9	0.00564	108.2931	G14-057T 345.00 - SUNNYSIDE 345KV CKT 1
20SP	06ALL		0 FROM->TO	G15_032_230	DUNCAN - TOSCO 69KV CKT 1	38.9	0.00564	108.2931	G14-057T 345.00 - SUNNYSIDE 345KV CKT 1
15SP	06ALL		0 FROM->TO	G15_032_230	DUNCAN - TOSCO 69KV CKT 1	38.9	0.00564	105.7224	G14-057T 345.00 - LAWTON EASTSIDE 345KV CKT 1
15WP	06ALL		0 FROM->TO	G15_032_230	DUNCAN - TOSCO 69KV CKT 1	38.9	0.00564	105.7224	G14-057T 345.00 - LAWTON EASTSIDE 345KV CKT 1
20SP	06ALL		0 FROM->TO	G15_032_230	DUNCAN - TOSCO 69KV CKT 1	38.9	0.00564	105.7224	G14-057T 345.00 - LAWTON EASTSIDE 345KV CKT 1
15SP	06ALL		0 TO->FROM	G15_032_230	EARLSBORO 4138.00 - MAUD 138KV CKT 1	97.7	0.0072	106.0778	MAUD (MAUD1) 138/69/13.2KV TRANSFORMER CKT 1
15WP	06ALL		0 TO->FROM	G15_032_230	EARLSBORO 4138.00 - MAUD 138KV CKT 1	97.7	0.0072	106.0778	MAUD (MAUD1) 138/69/13.2KV TRANSFORMER CKT 1
20SP	06ALL		0 TO->FROM	G15_032_230	EARLSBORO 4138.00 - MAUD 138KV CKT 1	97.7	0.0072	106.0778	MAUD (MAUD1) 138/69/13.2KV TRANSFORMER CKT 1
15SP	06ALL		0 TO->FROM	G15_032_230	EARLSBORO 4138.00 - MAUD 138KV CKT 1	97.7	0.007	101.042	CANADIAN RIVER - MCALESTER SOUTH 138KV CKT 1
15SP	06ALL		0 TO->FROM	G15_032_230	EARLSBORO 4138.00 - MAUD 138KV CKT 1	97.7	0.00691	101.042	PRINGLE INTERCHANGE - SPEARMAN INTERCHANGE 115KV CKT 2
15WP	06ALL		0 TO->FROM	G15_032_230	EARLSBORO 4138.00 - MAUD 138KV CKT 1	97.7	0.007	101.042	CANADIAN RIVER - MCALESTER SOUTH 138KV CKT 1
15WP	06ALL		0 TO->FROM	G15_032_230	EARLSBORO 4138.00 - MAUD 138KV CKT 1	97.7	0.00691	101.042	PRINGLE INTERCHANGE - SPEARMAN INTERCHANGE 115KV CKT 2
20SP	06ALL		0 TO->FROM	G15_032_230	EARLSBORO 4138.00 - MAUD 138KV CKT 1	97.7	0.007	101.042	CANADIAN RIVER - MCALESTER SOUTH 138KV CKT 1
20SP	06ALL		0 TO->FROM	G15_032_230	EARLSBORO 4138.00 - MAUD 138KV CKT 1	97.7	0.00691	101.042	PRINGLE INTERCHANGE - SPEARMAN INTERCHANGE 115KV CKT 2
25SP	06ALL		0 FROM->TO	G15_032_230	EDDY_NORTH 6230.00 (WAUK WT01134) 230/115/13.2KV TRANSFORMER CKT 2	285	0.01214	105.0175	EDDY COUNTY INTERCHANGE - EDDY_NORTH 6230.00 230KV CKT @1
25SP	06ALL		0 FROM->TO	G15_032_230	EDDY_NORTH 6230.00 (WAUK WT01134) 230/115/13.2KV TRANSFORMER CKT 2	286.3	0.01214	104.4708	EDDY COUNTY INTERCHANGE - EDDY_NORTH 6230.00 230KV CKT @1
15G	06ALL		0 FROM->TO	G15_032_230	ELDORADO - ELDORADO JCT 69KV CKT 1	26.9	0.00827	100.8401	LAKE PAULINE - RUSSELL 138KV CKT 1
15G	06ALL		0 FROM->TO	G15_032_230	ELK CITY 230KV (ELKCTY-6) 230/138/13.8KV TRANSFORMER CKT 1	446.9	0.09601	117.0598	CHISHOLM7 345.00 - GRACEMONT 345KV CKT 1
15SP	06ALL		0 FROM->TO	G15_032_230	ELK CITY 230KV (ELKCTY-6) 230/138/13.8KV TRANSFORMER CKT 1	446.4	0.10154	117.0408	CHISHOLM7 345.00 - GRACEMONT 345KV CKT 1
15WP	06ALL		0 FROM->TO	G15_032_230	ELK CITY 230KV (ELKCTY-6) 230/138/13.8KV TRANSFORMER CKT 1	446.4	0.10154	117.0408	CHISHOLM7 345.00 - GRACEMONT 345KV CKT 1
20SP	06ALL		0 FROM->TO	G15_032_230	ELK CITY 230KV (ELKCTY-6) 230/138/13.8KV TRANSFORMER CKT 1	446.4	0.10154	117.0408	CHISHOLM7 345.00 - GRACEMONT 345KV CKT 1
15G	06ALL		0 FROM->TO	G15_032_230	ELK CITY 230KV (ELKCTY-6) 230/138/13.8KV TRANSFORMER CKT 1	449.3	0.09601	116.5235	CHISHOLM7 345.00 - GRACEMONT 345KV CKT 1
15SP	06ALL		0 FROM->TO	G15_032_230	ELK CITY 230KV (ELKCTY-6) 230/138/13.8KV TRANSFORMER CKT 1	449.3	0.10154	116.3966	CHISHOLM7 345.00 - GRACEMONT 345KV CKT 1
15WP	06ALL		0 FROM->TO	G15_032_230	ELK CITY 230KV (ELKCTY-6) 230/138/13.8KV TRANSFORMER CKT 1	449.3	0.10154	116.3966	CHISHOLM7 345.00 - GRACEMONT 345KV CKT 1
20SP	06ALL		0 FROM->TO	G15_032_230	ELK CITY 230KV (ELKCTY-6) 230/138/13.8KV TRANSFORMER CKT 1	449.3	0.10154	116.3966	CHISHOLM7 345.00 - GRACEMONT 345KV CKT 1
15SP	06ALL		0 FROM->TO	G15_032_230	ELK CITY 230KV (ELKCTY-6) 230/138/13.8KV TRANSFORMER CKT 1	446.4	0.08631	103.6376	G14-074T 345.00 - OKLAUNION 345KV CKT 1
15WP	06ALL		0 FROM->TO	G15_032_230	ELK CITY 230KV (ELKCTY-6) 230/138/13.8KV TRANSFORMER CKT 1	446.4	0.08631	103.6376	G14-074T 345.00 - OKLAUNION 345KV CKT 1
20SP	06ALL		0 FROM->TO	G15_032_230	ELK CITY 230KV (ELKCTY-6) 230/138/13.8KV TRANSFORMER CKT 1	446.4	0.08631	103.6376	G14-074T 345.00 - OKLAUNION 345KV CKT 1
15SP	06ALL		0 FROM->TO	G15_032_230	ELK CITY 230KV (ELKCTY-6) 230/138/13.8KV TRANSFORMER CKT 1	449.3	0.08631	103.0799	G14-074T 345.00 - OKLAUNION 345KV CKT 1
15WP	06ALL		0 FROM->TO	G15_032_230	ELK CITY 230KV (ELKCTY-6) 230/138/13.8KV TRANSFORMER CKT 1	449.3	0.08631	103.0799	G14-074T 345.00 - OKLAUNION 345KV CKT 1
20SP	06ALL		0 FROM->TO	G15_032_230	ELK CITY 230KV (ELKCTY-6) 230/138/13.8KV TRANSFORMER CKT 1	449.3	0.08631	103.0799	G14-074T 345.00 - OKLAUNION 345KV CKT 1
15SP	06ALL		0 FROM->TO	G15_032_230	ELK CITY 230KV (ELKCTY-6) 230/138/13.8KV TRANSFORMER CKT 1	446.4	0.0925	101.8141	CHISHOLM7 345.00 - WOODWARD DISTRICT EHV 345KV CKT 1
15WP	06ALL		0 FROM->TO	G15_032_230	ELK CITY 230KV (ELKCTY-6) 230/138/13.8KV TRANSFORMER CKT 1	446.4	0.0925	101.8141	CHISHOLM7 345.00 - WOODWARD DISTRICT EHV 345KV CKT 1
20SP	06ALL		0 FROM->TO	G15_032_230	ELK CITY 230KV (ELKCTY-6) 230/138/13.8KV TRANSFORMER CKT 1	446.4	0.0925	101.8141	CHISHOLM7 345.00 - WOODWARD DISTRICT EHV 345KV CKT 1
15SP	06ALL		0 FROM->TO	G15_032_230	ELK CITY 230KV (ELKCTY-6) 230/138/13.8KV TRANSFORMER CKT 1	449.3	0.0925	101.2459	CHISHOLM7 345.00 - WOODWARD DISTRICT EHV 345KV CKT 1
15WP	06ALL		0 FROM->TO	G15_032_230	ELK CITY 230KV (ELKCTY-6) 230/138/13.8KV TRANSFORMER CKT 1	449.3	0.0925	101.2459	CHISHOLM7 345.00 - WOODWARD DISTRICT EHV 345KV CKT 1
20SP	06ALL		0 FROM->TO	G15_032_230	ELK CITY 230KV (ELKCTY-6) 230/138/13.8KV TRANSFORMER CKT 1	449.3	0.0925	101.2459	CHISHOLM7 345.00 - WOODWARD DISTRICT EHV 345KV CKT 1
15SP	06ALL		0 FROM->TO	G15_032_230	ELK CITY 230KV (ELKCTY-6) 230/138/13.8KV TRANSFORMER CKT 1	446.4	0.08631	100.1877	G14-074T 345.00 - TUCO INTERCHANGE 345KV CKT 1
15WP	06ALL		0 FROM->TO	G15_032_230	ELK CITY 230KV (ELKCTY-6) 230/138/13.8KV TRANSFORMER CKT 1	446.4	0.08631	100.1877	G14-074T 345.00 - TUCO INTERCHANGE 345KV CKT 1
20SP	06ALL		0 FROM->TO	G15_032_230	ELK CITY 230KV (ELKCTY-6) 230/138/13.8KV TRANSFORMER CKT 1	446.4	0.08631	100.1877	G14-074T 345.00 - TUCO INTERCHANGE 345KV CKT 1
15G	06ALL		0 FROM->TO	G15_032_230	FPL SWITCH - MOORELAND 138KV CKT 1	284.1	0.04613	119.1264	DBL-THIS-WWRD
15G	06ALL		0 FROM->TO	G15_032_230	FPL SWITCH - MOORELAND 138KV CKT 1	284.1	0.03779	111.6459	NORTHWEST - TATONGA7 345.00 345KV CKT 1
15G	06ALL		0 FROM->TO	G15_032_230	FPL SWITCH - MOORELAND 138KV CKT 1	284.1	0.03779	110.0971	SPSCont-04
15G	06ALL		0 FROM->TO	G15_032_230	FPL SWITCH - MOORELAND 138KV CKT 1	284.1	0.03779	109.8508	SPSCont-05b
15G	06ALL		0 FROM->TO	G15_032_230	FPL SWITCH - MOORELAND 138KV CKT 1	284.1	0.03736	108.3421	CHISHOLM6 230.00 - ELK CITY 230KV 230KV CKT 1
15G	06ALL		0 FROM->TO	G15_032_230	FPL SWITCH - MOORELAND 138KV CKT 1	284.1	0.03736	108.3421	ELK CITY 230KV (ELKCTY-6) 230/138/13.8KV TRANSFORMER CKT 1
15G	06ALL		0 FROM->TO	G15_032_230	FPL SWITCH - MOORELAND 138KV CKT 1	284.1	0.03779	104.6413	G11_051T 345.00 - TATONGA7 345.00 345KV CKT 1
15G	06ALL		0 FROM->TO	G15_032_230	FPL SWITCH - MOORELAND 138KV CKT 1	284.1	0.03779	103.8669	G11_051T 345.00 - WOODWARD DISTRICT EHV 345KV CKT 1
15G	06ALL		0 FROM->TO	G15_032_230	FPL SWITCH - MOORELAND 138KV CKT 1	284.1	0.03779	102.1774	SPSCont-05ax
15G	06ALL		0 FROM->TO	G15_032_230	FPL SWITCH - MOORELAND 138KV CKT 1	284.1	0.02887	102.0021	WOODWARD (WOODWRD2) 138/69/13.2KV TRANSFORMER CKT 1
15G	06ALL		0 TO->FROM	G15_032_230	FPL SWITCH - WOODWARD 138KV CKT 1	285.2	0.04613	112.2854	DBL-THIS-WWRD
15G	06ALL		0 TO->FROM	G15_032_230	FPL SWITCH - WOODWARD 138KV CKT 1	285.2	0.03779	104.8689	NORTHWEST - TATONGA7 345.00 345KV CKT 1
15G	06ALL		0 TO->FROM	G15_032_230	FPL SWITCH - WOODWARD 138KV CKT 1	285.2	0.03779	103.3261	SPSCont-04
15G	06ALL		0 TO->FROM	G15_032_230	FPL SWITCH - WOODWARD 138KV CKT 1	285.2	0.03779	103.0806	SPSCont-05b
15G	06ALL		0 TO->FROM	G15_032_230	FPL SWITCH - WOODWARD 138KV CKT 1	285.2	0.03736	101.5778	CHISHOLM6 230.00 - ELK CITY 230KV 230KV CKT 1
15G	06ALL		0 TO->FROM	G15_032_230	FPL SWITCH - WOODWARD 138KV CKT 1	285.2	0.03736	101.5778	ELK CITY 230KV (ELKCTY-6) 230/138/13.8KV TRANSFORMER CKT 1
15SP	06ALL		0 TO->FROM	G15_032_230	GLASS MOUNTAIN - MOORELAND 138KV CKT 1	122.3	0.02073	109.2265	DBL-THIS-WWRD
15WP	06ALL		0 TO->FROM	G15_032_230	GLASS MOUNTAIN - MOORELAND 138KV CKT 1	122.3	0.02073	109.2265	DBL-THIS-WWRD

SEASON	GROUP	SCENARIO	DIRECTION	SOURCE	MONITORED ELEMENT	RATE	CONTINGENCY		
						(MVA)	TDF	LOADING %	CONTINGENCY
20SP	06ALL	0	TO->FROM	G15_032_230	GLASS MOUNTAIN - MOORELAND 138KV CKT 1	122.3	0.02073	109.2265	DBL-THIS-WWRD
15SP	06ALL	0	TO->FROM	G15_032_230	GLASS MOUNTAIN - MOORELAND 138KV CKT 1	122.3	0.01595	100.5135	MOORELAND - NOEL_SW 138.00 138KV CKT 1
15WP	06ALL	0	TO->FROM	G15_032_230	GLASS MOUNTAIN - MOORELAND 138KV CKT 1	122.3	0.01595	100.5135	MOORELAND - NOEL_SW 138.00 138KV CKT 1
20SP	06ALL	0	TO->FROM	G15_032_230	GLASS MOUNTAIN - MOORELAND 138KV CKT 1	122.3	0.01595	100.5135	MOORELAND - NOEL_SW 138.00 138KV CKT 1
15G	06ALL	0	FROM->TO	G15_032_230	Harrington Station East Bus - POTTER COUNTY INTERCHANGE 230KV CKT 1	346.8	-0.01342	106.7238	CHERRY1 - HARRINGTON STATION 230KV CKT 1
15G	06ALL	0	FROM->TO	G15_032_230	Harrington Station East Bus - POTTER COUNTY INTERCHANGE 230KV CKT 1	346.8	-0.01357	102.9844	CHERRY1 - POTTER COUNTY INTERCHANGE 230KV CKT 1
15G	06ALL	0	TO->FROM	G15_032_230	HAYS PLANT - SOUTH HAYS 115KV CKT 1	98.9	0.00607	115.3873	KNOLL 230 - POSTROCK6 230.00 230KV CKT 1
15SP	06ALL	0	FROM->TO	G15_032_230	HAYS PLANT - VINE STREET 115KV CKT 1	88	0.00582	116.8955	KNOLL 230 - POSTROCK6 230.00 230KV CKT 1
15WP	06ALL	0	FROM->TO	G15_032_230	HAYS PLANT - VINE STREET 115KV CKT 1	88	0.00582	116.8955	KNOLL 230 - POSTROCK6 230.00 230KV CKT 1
20SP	06ALL	0	FROM->TO	G15_032_230	HAYS PLANT - VINE STREET 115KV CKT 1	88	0.00582	116.8955	KNOLL 230 - POSTROCK6 230.00 230KV CKT 1
15G	06ALL	0	FROM->TO	G15_032_230	HAYS PLANT - VINE STREET 115KV CKT 1	87.9	0.00607	105.9363	KNOLL 230 - POSTROCK6 230.00 230KV CKT 1
15SP	06ALL	0	FROM->TO	G15_032_230	JERICHO (JERIC2WT) 115/69/14.4KV TRANSFORMER CKT 1	45.6	0.00663	106.6974	KIRBY SWITCHING STATION - MCCLELLAN SUB 115KV CKT 1
15WP	06ALL	0	FROM->TO	G15_032_230	JERICHO (JERIC2WT) 115/69/14.4KV TRANSFORMER CKT 1	45.6	0.00663	106.6974	KIRBY SWITCHING STATION - MCCLELLAN SUB 115KV CKT 1
20SP	06ALL	0	FROM->TO	G15_032_230	JERICHO (JERIC2WT) 115/69/14.4KV TRANSFORMER CKT 1	45.6	0.00663	106.6974	KIRBY SWITCHING STATION - MCCLELLAN SUB 115KV CKT 1
15SP	06ALL	0	FROM->TO	G15_032_230	JERICHO (JERIC2WT) 115/69/14.4KV TRANSFORMER CKT 1	45.9	0.00663	106	KIRBY SWITCHING STATION - MCCLELLAN SUB 115KV CKT 1
15WP	06ALL	0	FROM->TO	G15_032_230	JERICHO (JERIC2WT) 115/69/14.4KV TRANSFORMER CKT 1	45.9	0.00663	106	KIRBY SWITCHING STATION - MCCLELLAN SUB 115KV CKT 1
20SP	06ALL	0	FROM->TO	G15_032_230	JERICHO (JERIC2WT) 115/69/14.4KV TRANSFORMER CKT 1	45.9	0.00663	106	KIRBY SWITCHING STATION - MCCLELLAN SUB 115KV CKT 1
15SP	06ALL	0	FROM->TO	G15_032_230	JERICHO (JERIC2WT) 115/69/14.4KV TRANSFORMER CKT 1	45.6	0.00663	105.3816	MCCLELLAN SUB - MCLEAN RURAL SUB 115KV CKT 1
15WP	06ALL	0	FROM->TO	G15_032_230	JERICHO (JERIC2WT) 115/69/14.4KV TRANSFORMER CKT 1	45.6	0.00663	105.3816	MCCLELLAN SUB - MCLEAN RURAL SUB 115KV CKT 1
20SP	06ALL	0	FROM->TO	G15_032_230	JERICHO (JERIC2WT) 115/69/14.4KV TRANSFORMER CKT 1	45.6	0.00663	105.3816	MCCLELLAN SUB - MCLEAN RURAL SUB 115KV CKT 1
15SP	06ALL	0	FROM->TO	G15_032_230	JERICHO (JERIC2WT) 115/69/14.4KV TRANSFORMER CKT 1	45.9	0.00663	104.6928	MCCLELLAN SUB - MCLEAN RURAL SUB 115KV CKT 1
15WP	06ALL	0	FROM->TO	G15_032_230	JERICHO (JERIC2WT) 115/69/14.4KV TRANSFORMER CKT 1	45.9	0.00663	104.6928	MCCLELLAN SUB - MCLEAN RURAL SUB 115KV CKT 1
20SP	06ALL	0	FROM->TO	G15_032_230	JERICHO (JERIC2WT) 115/69/14.4KV TRANSFORMER CKT 1	45.9	0.00663	104.6928	MCCLELLAN SUB - MCLEAN RURAL SUB 115KV CKT 1
15G	06ALL	0	FROM->TO	G15_032_230	JERICHO (JERIC2WT) 115/69/14.4KV TRANSFORMER CKT 1	45.7	0.0067	101.7287	KIRBY SWITCHING STATION - MCCLELLAN SUB 115KV CKT 1
15SP	06ALL	0	FROM->TO	G15_032_230	JERICHO (JERIC2WT) 115/69/14.4KV TRANSFORMER CKT 1	45.6	0.00663	101.6535	SPP-SWPS-T54
15WP	06ALL	0	FROM->TO	G15_032_230	JERICHO (JERIC2WT) 115/69/14.4KV TRANSFORMER CKT 1	45.6	0.00663	101.6535	SPP-SWPS-T54
20SP	06ALL	0	FROM->TO	G15_032_230	JERICHO (JERIC2WT) 115/69/14.4KV TRANSFORMER CKT 1	45.6	0.00663	101.6535	SPP-SWPS-T54
15G	06ALL	0	FROM->TO	G15_032_230	JERICHO (JERIC2WT) 115/69/14.4KV TRANSFORMER CKT 1	45.9	0.0067	101.2854	KIRBY SWITCHING STATION - MCCLELLAN SUB 115KV CKT 1
15SP	06ALL	0	FROM->TO	G15_032_230	JERICHO (JERIC2WT) 115/69/14.4KV TRANSFORMER CKT 1	45.9	0.00663	100.9891	SPP-SWPS-T54
15WP	06ALL	0	FROM->TO	G15_032_230	JERICHO (JERIC2WT) 115/69/14.4KV TRANSFORMER CKT 1	45.9	0.00663	100.9891	SPP-SWPS-T54
20SP	06ALL	0	FROM->TO	G15_032_230	JERICHO (JERIC2WT) 115/69/14.4KV TRANSFORMER CKT 1	45.9	0.00663	100.9891	SPP-SWPS-T54
15G	06ALL	0	FROM->TO	G15_032_230	JERICHO (JERIC2WT) 115/69/14.4KV TRANSFORMER CKT 1	45.7	0.0067	100.4158	MCCLELLAN SUB - MCLEAN RURAL SUB 115KV CKT 1
15SP	06ALL	0	FROM->TO	G15_032_230	JERICHO (JERIC2WT) 115/69/14.4KV TRANSFORMER CKT 1	45.6	0.00663	100.1184	MCLEAN RURAL SUB - SHAMROCK 115KV CKT 1
15WP	06ALL	0	FROM->TO	G15_032_230	JERICHO (JERIC2WT) 115/69/14.4KV TRANSFORMER CKT 1	45.6	0.00663	100.1184	MCLEAN RURAL SUB - SHAMROCK 115KV CKT 1
20SP	06ALL	0	FROM->TO	G15_032_230	JERICHO (JERIC2WT) 115/69/14.4KV TRANSFORMER CKT 1	45.6	0.00663	100.1184	MCLEAN RURAL SUB - SHAMROCK 115KV CKT 1
25SP	06ALL	0	TO->FROM	G15_032_230	KRESS INTERCHANGE - SWISHER COUNTY INTERCHANGE 115KV CKT 1	232.4	0	176.463	SWISHER COUNTY INTERCHANGE (UPDATE LATER) 230/115/13.2KV TRANSFORMER CKT 1
20WP	06ALL	0	TO->FROM	G15_032_230	KRESS INTERCHANGE - SWISHER COUNTY INTERCHANGE 115KV CKT 1	234.7	0	174.8189	SWISHER COUNTY INTERCHANGE (UPDATE LATER) 230/115/13.2KV TRANSFORMER CKT 1
15SP	06ALL	0	TO->FROM	G15_032_230	KRESS INTERCHANGE - SWISHER COUNTY INTERCHANGE 115KV CKT 1	236.8	0	173.3108	SWISHER COUNTY INTERCHANGE (UPDATE LATER) 230/115/13.2KV TRANSFORMER CKT 1
15WP	06ALL	0	TO->FROM	G15_032_230	KRESS INTERCHANGE - SWISHER COUNTY INTERCHANGE 115KV CKT 1	236.8	0	173.3108	SWISHER COUNTY INTERCHANGE (UPDATE LATER) 230/115/13.2KV TRANSFORMER CKT 1
20SP	06ALL	0	TO->FROM	G15_032_230	KRESS INTERCHANGE - SWISHER COUNTY INTERCHANGE 115KV CKT 1	236.8	0	173.3108	SWISHER COUNTY INTERCHANGE (UPDATE LATER) 230/115/13.2KV TRANSFORMER CKT 1
15G	06ALL	0	TO->FROM	G15_032_230	KRESS INTERCHANGE - SWISHER COUNTY INTERCHANGE 115KV CKT 1	238.8	0	171.943	SWISHER COUNTY INTERCHANGE (GE M101686) 230/115/13.2KV TRANSFORMER CKT 1
25SP	06ALL	0	TO->FROM	G15_032_230	KRESS INTERCHANGE - SWISHER COUNTY INTERCHANGE 115KV CKT 1	210.8	0.01451	154.2012	BASE CASE
25SP	06ALL	0	TO->FROM	G15_032_230	KRESS INTERCHANGE - SWISHER COUNTY INTERCHANGE 115KV CKT 1	232.4	0.03485	150.068	AMARILLO SOUTH INTERCHANGE - SWISHER COUNTY INTERCHANGE 230KV CKT 1
20WP	06ALL	0	TO->FROM	G15_032_230	KRESS INTERCHANGE - SWISHER COUNTY INTERCHANGE 115KV CKT 1	213.2	0.01453	145.7636	BASE CASE
20WP	06ALL	0	TO->FROM	G15_032_230	KRESS INTERCHANGE - SWISHER COUNTY INTERCHANGE 115KV CKT 1	234.7	0.03475	144.311	AMARILLO SOUTH INTERCHANGE - SWISHER COUNTY INTERCHANGE 230KV CKT 1
25SP	06ALL	0	TO->FROM	G15_032_230	KRESS INTERCHANGE - SWISHER COUNTY INTERCHANGE 115KV CKT 1	232.4	0.01331	143.9871	PLANT X STATION (WH ALM20171) 230/115/13.2KV TRANSFORMER CKT 1
25SP	06ALL	0	TO->FROM	G15_032_230	KRESS INTERCHANGE - SWISHER COUNTY INTERCHANGE 115KV CKT 1	232.4	0.02355	142.6747	NEWHART 230 (UPDATE LATER) 230/115/13.2KV TRANSFORMER CKT 2
25SP	06ALL	0	TO->FROM	G15_032_230	KRESS INTERCHANGE - SWISHER COUNTY INTERCHANGE 115KV CKT 1	232.4	0.02355	142.6747	NEWHART 230 (WAKU WT01105) 230/115/13.2KV TRANSFORMER CKT 1
25SP	06ALL	0	TO->FROM	G15_032_230	KRESS INTERCHANGE - SWISHER COUNTY INTERCHANGE 115KV CKT 1	232.4	0.01451	142.4079	G11_025_1 115.00 115/34.5KV TRANSFORMER CKT 1
25SP	06ALL	0	TO->FROM	G15_032_230	KRESS INTERCHANGE - SWISHER COUNTY INTERCHANGE 115KV CKT 1	232.4	0.01451	142.4079	G11_025_2 34.500 34.5/0.69KV TRANSFORMER CKT 1
25SP	06ALL	0	TO->FROM	G15_032_230	KRESS INTERCHANGE - SWISHER COUNTY INTERCHANGE 115KV CKT 1	232.4	0.01451	142.4079	G11_025T 115.00 - G11_025_1 115.00 115KV CKT 1
25SP	06ALL	0	TO->FROM	G15_032_230	KRESS INTERCHANGE - SWISHER COUNTY INTERCHANGE 115KV CKT 1	232.4	0.01334	142.3219	TUCO INTERCHANGE (GE M102345) 230/115/13.2KV TRANSFORMER CKT 1
25SP	06ALL	0	TO->FROM	G15_032_230	KRESS INTERCHANGE - SWISHER COUNTY INTERCHANGE 115KV CKT 1	232.4	0.01451	142.2048	TOLK STATION WEST 230/24.0KV TRANSFORMER CKT 1
25SP	06ALL	0	TO->FROM	G15_032_230	KRESS INTERCHANGE - SWISHER COUNTY INTERCHANGE 115KV CKT 1	232.4	0.01341	142.1403	TUCO INTERCHANGE (ENRCS 136401) 230/115/13.2KV TRANSFORMER CKT 2
25SP	06ALL	0	TO->FROM	G15_032_230	KRESS INTERCHANGE - SWISHER COUNTY INTERCHANGE 115KV CKT 1	232.4	0.01451	141.7418	TOLK STATION EAST 230/24.0KV TRANSFORMER CKT 1
25SP	06ALL	0	TO->FROM	G15_032_230	KRESS INTERCHANGE - SWISHER COUNTY INTERCHANGE 115KV CKT 1	232.4	0.01369	141.7057	FLOYD COUNTY INTERCHANGE - G11_025T 115.00 115KV CKT 1
25SP	06ALL	0	TO->FROM	G15_032_230	KRESS INTERCHANGE - SWISHER COUNTY INTERCHANGE 115KV CKT 1	232.4	0.01439	141.5232	HALE CO INTERCHANGE - PLANT X STATION 115KV CKT 1
25SP	06ALL	0	TO->FROM	G15_032_230	KRESS INTERCHANGE - SWISHER COUNTY INTERCHANGE 115KV CKT 1	232.4	0.01444	141.2831	LAMB COUNTY INTERCHANGE - TOLK STATION WEST 230KV CKT 1
25SP	06ALL	0	TO->FROM	G15_032_230	KRESS INTERCHANGE - SWISHER COUNTY INTERCHANGE 115KV CKT 1	232.4	0.01451	141.2685	PLANT X STATION 115/13.8KV TRANSFORMER CKT 1
25SP	06ALL	0	TO->FROM	G15_032_230	KRESS INTERCHANGE - SWISHER COUNTY INTERCHANGE 115KV CKT 1	232.4	0.01444	141.2401	LAMB COUNTY INTERCHANGE (WH ALM20172) 230/115/13.2KV TRANSFORMER CKT 1
15SP	06ALL	0	TO->FROM	G15_032_230	KRESS INTERCHANGE - SWISHER COUNTY INTERCHANGE 115KV CKT 1	236.8	0.03464	139.2821	AMARILLO SOUTH INTERCHANGE - SWISHER COUNTY INTERCHANGE 230KV CKT 1
15WP	06ALL	0	TO->FROM	G15_032_230	KRESS INTERCHANGE - SWISHER COUNTY INTERCHANGE 115KV CKT 1	236.8	0.03464	139.2821	AMARILLO SOUTH INTERCHANGE - SWISHER COUNTY INTERCHANGE 230KV CKT 1
20SP	06ALL	0	TO->FROM	G15_032_230	KRESS INTERCHANGE - SWISHER COUNTY INTERCHANGE 115KV CKT 1	236.8	0.03464	139.2821	AMARILLO SOUTH INTERCHANGE - SWISHER COUNTY INTERCHANGE 230KV CKT 1
25SP	06ALL	0	TO->FROM	G15_032_230	KRESS INTERCHANGE - SWISHER COUNTY INTERCHANGE 115KV CKT 1	232.4	0.0421	138.6145	KRESS INTERCHANGE - NEWHART 115KV CKT 1
15SP	06ALL	0	TO->FROM	G15_032_230	KRESS INTERCHANGE - SWISHER COUNTY INTERCHANGE 115KV CKT 1	215.6	0.01442	138.1187	BASE CASE

SEASON	GROUP	SCENARIO	DIRECTION	SOURCE	MONITORED ELEMENT	RATE	CONTINGENCY			
						(MVA)	TDF	LOADING %	CONTINGENCY	
15G	06ALL		0	TO->FROM	G15_032_230	KRESS INTERCHANGE - SWISHER COUNTY INTERCHANGE 115KV CKT 1	238.8	0.06454	121.33	SWISHER COUNTY INTERCHANGE - TUCO_2 230.00 230KV CKT 1
15G	06ALL		0	TO->FROM	G15_032_230	KRESS INTERCHANGE - SWISHER COUNTY INTERCHANGE 115KV CKT 1	238.8	0.06325	116.9112	NEWHART 230 (WAUK WT01105) 230/115/13.2KV TRANSFORMER CKT 1
15G	06ALL		0	TO->FROM	G15_032_230	KRESS INTERCHANGE - SWISHER COUNTY INTERCHANGE 115KV CKT 1	238.8	0.0314	116.7747	NEWHART 230 - POTTER COUNTY INTERCHANGE 230KV CKT 1
15G	06ALL		0	TO->FROM	G15_032_230	KRESS INTERCHANGE - SWISHER COUNTY INTERCHANGE 115KV CKT 1	238.8	0.0226	116.3978	PLANT X STATION (WH ALM20171) 230/115/13.2KV TRANSFORMER CKT 1
15G	06ALL		0	TO->FROM	G15_032_230	KRESS INTERCHANGE - SWISHER COUNTY INTERCHANGE 115KV CKT 1	238.8	0.02357	116.2111	G11_025_1 115.00 115/34.5KV TRANSFORMER CKT 1
15G	06ALL		0	TO->FROM	G15_032_230	KRESS INTERCHANGE - SWISHER COUNTY INTERCHANGE 115KV CKT 1	238.8	0.02357	116.2111	G11_025_2 34.500 34.5/0.69KV TRANSFORMER CKT 1
15G	06ALL		0	TO->FROM	G15_032_230	KRESS INTERCHANGE - SWISHER COUNTY INTERCHANGE 115KV CKT 1	238.8	0.02357	116.1692	G11_025T 115.00 - G11_025_1 115.00 115KV CKT 1
15G	06ALL		0	TO->FROM	G15_032_230	KRESS INTERCHANGE - SWISHER COUNTY INTERCHANGE 115KV CKT 1	238.8	0.02281	115.9146	FLOYD COUNTY INTERCHANGE - G11_025T 115.00 115KV CKT 1
15G	06ALL		0	TO->FROM	G15_032_230	KRESS INTERCHANGE - SWISHER COUNTY INTERCHANGE 115KV CKT 1	238.8	0.02357	115.0804	CASTRO COUNTY INTERCHANGE - G14_040_1 115.00 115KV CKT 1
15G	06ALL		0	TO->FROM	G15_032_230	KRESS INTERCHANGE - SWISHER COUNTY INTERCHANGE 115KV CKT 1	238.8	0.02357	115.0804	G14_040_2 34.500 34.5/0.69KV TRANSFORMER CKT 1
15G	06ALL		0	TO->FROM	G15_032_230	KRESS INTERCHANGE - SWISHER COUNTY INTERCHANGE 115KV CKT 1	238.8	0.02465	114.9087	TUCO_2 345.00 (TUCO_2 XFMR) 345/230/13.2KV TRANSFORMER CKT 1
15G	06ALL		0	TO->FROM	G15_032_230	KRESS INTERCHANGE - SWISHER COUNTY INTERCHANGE 115KV CKT 1	238.8	0.02362	114.3526	HALE CO INTERCHANGE - PLANT X STATION 115KV CKT 1
15G	06ALL		0	TO->FROM	G15_032_230	KRESS INTERCHANGE - SWISHER COUNTY INTERCHANGE 115KV CKT 1	238.8	0.02187	114.1876	SPP-SWPS-25
15G	06ALL		0	TO->FROM	G15_032_230	KRESS INTERCHANGE - SWISHER COUNTY INTERCHANGE 115KV CKT 1	238.8	0.02187	114.1876	SPP-SWPS-T28
15G	06ALL		0	TO->FROM	G15_032_230	KRESS INTERCHANGE - SWISHER COUNTY INTERCHANGE 115KV CKT 1	238.8	0.01862	113.3442	COX INTERCHANGE - FLOYD COUNTY INTERCHANGE 115KV CKT 1
15G	06ALL		0	TO->FROM	G15_032_230	KRESS INTERCHANGE - SWISHER COUNTY INTERCHANGE 115KV CKT 1	238.8	0.02175	112.3191	FLOYD COUNTY INTERCHANGE - TUCO INTERCHANGE 115KV CKT 1
20WP	06ALL		0	TO->FROM	G15_032_230	NORGE ROAD - SOUTHWESTERN STATION 138KV CKT 1	135.7	0.01109	110.7561	SOUTHWESTERN STATION - VERDEN 138KV CKT 1
20WP	06ALL		0	TO->FROM	G15_032_230	NORGE ROAD - SOUTHWESTERN STATION 138KV CKT 1	135.7	0.01109	109.2822	NORTH 29TH CHICKASHA - VERDEN 138KV CKT 1
20WP	06ALL		0	TO->FROM	G15_032_230	NORGE ROAD - SOUTHWESTERN STATION 138KV CKT 1	135.7	0.01585	106.4672	CIMARRON - MINCO 345KV CKT 1
20WP	06ALL		0	TO->FROM	G15_032_230	NORGE ROAD - SOUTHWESTERN STATION 138KV CKT 1	135.7	0.01109	106.2609	CORNVILLE - NORTH 29TH CHICKASHA 138KV CKT 1
20WP	06ALL		0	TO->FROM	G15_032_230	NORGE ROAD - SOUTHWESTERN STATION 138KV CKT 1	135.7	0.01027	104.1253	ANADARKO - CORN TAP 138KV CKT 1
20WP	06ALL		0	TO->FROM	G15_032_230	NORGE ROAD - SOUTHWESTERN STATION 138KV CKT 1	135.7	0.01585	102.93	GRACEMONT - MINCO 345KV CKT 1
25SP	06ALL		0	TO->FROM	G15_032_230	NORGE ROAD - SOUTHWESTERN STATION 138KV CKT 1	135.8	0.01064	100.0972	SOUTHWESTERN STATION - VERDEN 138KV CKT 1
15SP	06ALL		0	FROM->TO	G15_032_230	PRINGLE INTERCHANGE - SPEARMAN INTERCHANGE 115KV CKT 1	159.7	0.03567	103.4728	PRINGLE INTERCHANGE - SPEARMAN INTERCHANGE 115KV CKT 2
15WP	06ALL		0	FROM->TO	G15_032_230	PRINGLE INTERCHANGE - SPEARMAN INTERCHANGE 115KV CKT 1	159.7	0.03567	103.4728	PRINGLE INTERCHANGE - SPEARMAN INTERCHANGE 115KV CKT 2
20SP	06ALL		0	FROM->TO	G15_032_230	PRINGLE INTERCHANGE - SPEARMAN INTERCHANGE 115KV CKT 1	159.7	0.03567	103.4728	PRINGLE INTERCHANGE - SPEARMAN INTERCHANGE 115KV CKT 2
15G	06ALL		0	FROM->TO	G15_032_230	PRINGLE INTERCHANGE - SPEARMAN INTERCHANGE 115KV CKT 1	158.4	0.03441	102.2588	PRINGLE INTERCHANGE - SPEARMAN INTERCHANGE 115KV CKT 2
15G	06ALL		0	FROM->TO	G15_032_230	SHAMROCK (SHAMRCK1) 115/69/14.4KV TRANSFORMER CKT 1	66	0.01345	105.3	CHISHOLM6 230.00 - SWEETWATER 230KV CKT 1
15G	06ALL		0	FROM->TO	G15_032_230	SHAMROCK (SHAMRCK1) 115/69/14.4KV TRANSFORMER CKT 1	66	0.01221	104.9485	HWRDWC2 69.000 - JERICO 69KV CKT 1
15G	06ALL		0	FROM->TO	G15_032_230	SHAMROCK (SHAMRCK1) 115/69/14.4KV TRANSFORMER CKT 1	66	0.01221	104.9485	JERICO - KIRBY SWITCHING STATION 115KV CKT 1
15G	06ALL		0	FROM->TO	G15_032_230	SHAMROCK (SHAMRCK1) 115/69/14.4KV TRANSFORMER CKT 1	66	0.01221	104.9485	JERICO (JERIC2WT) 115/69/14.4KV TRANSFORMER CKT 1
15G	06ALL		0	FROM->TO	G15_032_230	SHAMROCK (SHAMRCK1) 115/69/14.4KV TRANSFORMER CKT 1	66	0.01221	104.1909	CLARENDON - HWRDWC2 69.000 69KV CKT 1
15G	06ALL		0	FROM->TO	G15_032_230	SHAMROCK (SHAMRCK1) 115/69/14.4KV TRANSFORMER CKT 1	66	0.01312	103.897	G14-074T 345.00 - OKLAUNION 345KV CKT 1
15G	06ALL		0	FROM->TO	G15_032_230	SHAMROCK (SHAMRCK1) 115/69/14.4KV TRANSFORMER CKT 1	67.1	0.01345	103.7228	CHISHOLM6 230.00 - SWEETWATER 230KV CKT 1
15G	06ALL		0	FROM->TO	G15_032_230	SHAMROCK (SHAMRCK1) 115/69/14.4KV TRANSFORMER CKT 1	67.1	0.01221	103.377	HWRDWC2 69.000 - JERICO 69KV CKT 1
15G	06ALL		0	FROM->TO	G15_032_230	SHAMROCK (SHAMRCK1) 115/69/14.4KV TRANSFORMER CKT 1	67.1	0.01221	103.377	JERICO - KIRBY SWITCHING STATION 115KV CKT 1
15G	06ALL		0	FROM->TO	G15_032_230	SHAMROCK (SHAMRCK1) 115/69/14.4KV TRANSFORMER CKT 1	67.1	0.01221	103.377	JERICO (JERIC2WT) 115/69/14.4KV TRANSFORMER CKT 1
15G	06ALL		0	FROM->TO	G15_032_230	SHAMROCK (SHAMRCK1) 115/69/14.4KV TRANSFORMER CKT 1	66	0.01345	103.0273	GRAPEVINE INTERCHANGE - STATELINE INTERCHANGE 230KV CKT 1
15G	06ALL		0	FROM->TO	G15_032_230	SHAMROCK (SHAMRCK1) 115/69/14.4KV TRANSFORMER CKT 1	66	0.01236	102.6788	CHISHOLM6 230.00 - ELK CITY 230KV 230KV CKT 1
15G	06ALL		0	FROM->TO	G15_032_230	SHAMROCK (SHAMRCK1) 115/69/14.4KV TRANSFORMER CKT 1	66	0.01236	102.6788	ELK CITY 230KV (ELKCTY-6) 230/138/13.8KV TRANSFORMER CKT 1
15G	06ALL		0	FROM->TO	G15_032_230	SHAMROCK (SHAMRCK1) 115/69/14.4KV TRANSFORMER CKT 1	67.1	0.01221	102.6319	CLARENDON - HWRDWC2 69.000 69KV CKT 1
15G	06ALL		0	FROM->TO	G15_032_230	SHAMROCK (SHAMRCK1) 115/69/14.4KV TRANSFORMER CKT 1	66	0.01275	102.5788	CHISHOLM7 345.00 - GRACEMONT 345KV CKT 1
15G	06ALL		0	FROM->TO	G15_032_230	SHAMROCK (SHAMRCK1) 115/69/14.4KV TRANSFORMER CKT 1	67.1	0.01312	102.4918	G14-074T 345.00 - OKLAUNION 345KV CKT 1
15G	06ALL		0	FROM->TO	G15_032_230	SHAMROCK (SHAMRCK1) 115/69/14.4KV TRANSFORMER CKT 1	67.1	0.01345	101.4873	GRAPEVINE INTERCHANGE - STATELINE INTERCHANGE 230KV CKT 1
15G	06ALL		0	FROM->TO	G15_032_230	SHAMROCK (SHAMRCK1) 115/69/14.4KV TRANSFORMER CKT 1	67.1	0.01236	101.2936	CHISHOLM6 230.00 - ELK CITY 230KV 230KV CKT 1
15G	06ALL		0	FROM->TO	G15_032_230	SHAMROCK (SHAMRCK1) 115/69/14.4KV TRANSFORMER CKT 1	66	0.01221	101.1606	CLARENDON - CLARENDON REC 69KV CKT 1
15G	06ALL		0	FROM->TO	G15_032_230	SHAMROCK (SHAMRCK1) 115/69/14.4KV TRANSFORMER CKT 1	67.1	0.01236	101.1446	ELK CITY 230KV (ELKCTY-6) 230/138/13.8KV TRANSFORMER CKT 1
15G	06ALL		0	FROM->TO	G15_032_230	SHAMROCK (SHAMRCK1) 115/69/14.4KV TRANSFORMER CKT 1	67.1	0.01275	101.0462	CHISHOLM7 345.00 - GRACEMONT 345KV CKT 1
15G	06ALL		0	FROM->TO	G15_032_230	SHAMROCK (SHAMRCK1) 115/69/14.4KV TRANSFORMER CKT 1	66	0.01312	100.5636	G14-074T 345.00 - TUCO INTERCHANGE 345KV CKT 1
20WP	06ALL		0	TO->FROM	G15_032_230	SUNSHINE CANYON - TUTTLE 138KV CKT 1	141.6	0.02172	104.6893	CIMARRON - MINCO 345KV CKT 1
15SP	06ALL		0	TO->FROM	G15_032_230	SUNSHINE CANYON - TUTTLE 138KV CKT 1	141.6	0.02307	104.1356	CIMARRON - MINCO 345KV CKT 1
15WP	06ALL		0	TO->FROM	G15_032_230	SUNSHINE CANYON - TUTTLE 138KV CKT 1	141.6	0.02307	104.1356	CIMARRON - MINCO 345KV CKT 1
20SP	06ALL		0	TO->FROM	G15_032_230	SUNSHINE CANYON - TUTTLE 138KV CKT 1	141.6	0.02307	104.1356	CIMARRON - MINCO 345KV CKT 1
20WP	06ALL		0	TO->FROM	G15_032_230	SUNSHINE CANYON - TUTTLE 138KV CKT 1	141.6	0.02172	100.0989	GRACEMONT - MINCO 345KV CKT 1
15G	06ALL		0	FROM->TO	G15_032_230	SWISHER COUNTY INTERCHANGE (GE M101686) 230/115/13.2KV TRANSFORMER CKT 1	145.8	0	281.5501	KRESS INTERCHANGE - SWISHER COUNTY INTERCHANGE 115KV CKT 1
15G	06ALL		0	FROM->TO	G15_032_230	SWISHER COUNTY INTERCHANGE (GE M101686) 230/115/13.2KV TRANSFORMER CKT 1	146.1	0	281.0404	KRESS INTERCHANGE - SWISHER COUNTY INTERCHANGE 115KV CKT 1
15G	06ALL		0	FROM->TO	G15_032_230	SWISHER COUNTY INTERCHANGE (GE M101686) 230/115/13.2KV TRANSFORMER CKT 1	145.8	-0.01108	124.7421	KRESS INTERCHANGE - TULIA TAP 115KV CKT 1
15G	06ALL		0	FROM->TO	G15_032_230	SWISHER COUNTY INTERCHANGE (GE M101686) 230/115/13.2KV TRANSFORMER CKT 1	145.8	-0.01108	124.6735	SPP-SWPS-T67
15G	06ALL		0	FROM->TO	G15_032_230	SWISHER COUNTY INTERCHANGE (GE M101686) 230/115/13.2KV TRANSFORMER CKT 1	146.1	-0.01108	124.486	KRESS INTERCHANGE - TULIA TAP 115KV CKT 1
15G	06ALL		0	FROM->TO	G15_032_230	SWISHER COUNTY INTERCHANGE (GE M101686) 230/115/13.2KV TRANSFORMER CKT 1	146.1	-0.01108	124.486	SPP-SWPS-T67
15G	06ALL		0	FROM->TO	G15_032_230	SWISHER COUNTY INTERCHANGE (GE M101686) 230/115/13.2KV TRANSFORMER CKT 1	145.8	-0.01108	123.439	HAPPY INTERCHANGE - TULIA TAP 115KV CKT 1
15G	06ALL		0	FROM->TO	G15_032_230	SWISHER COUNTY INTERCHANGE (GE M101686) 230/115/13.2KV TRANSFORMER CKT 1	146.1	-0.01108	123.2539	HAPPY INTERCHANGE - TULIA TAP 115KV CKT 1
15G	06ALL		0	FROM->TO	G15_032_230	SWISHER COUNTY INTERCHANGE (GE M101686) 230/115/13.2KV TRANSFORMER CKT 1	145.8	0.06733	117.2661	NEWHART 230 - SWISHER COUNTY INTERCHANGE 230KV CKT 1
15G	06ALL		0	FROM->TO	G15_032_230	SWISHER COUNTY INTERCHANGE (GE M101686) 230/115/13.2KV TRANSFORMER CKT 1	146.1	0.06733	117.0938	NEWHART 230 - SWISHER COUNTY INTERCHANGE 230KV CKT 1
15G	06ALL		0	FROM->TO	G15_032_230	SWISHER COUNTY INTERCHANGE (GE M101686) 230/115/13.2KV TRANSFORMER CKT 1	145.8	-0.01108	116.2373	HAPPY INTERCHANGE - PALO DURO SUB 115KV CKT 1

SEASON	GROUP	SCENARIO	DIRECTION	SOURCE	MONITORED ELEMENT	RATE	CONTINGENCY		CONTINGENCY
						(MVA)	TDF	LOADING %	
25SP	00NR	0	TO->FROM	G15_032_230_6	LUBBOCK POWER & LIGHT-CO-OP - LUBBOCK POWER & LIGHT-WADSWORTH 69KV CKT 1	141.2	0.00619	100.8194	LUBBOCK POWER & LIGHT-HOLLY GEN - LUBBOCK POWER & LIGHT-SOUTHEAST 69KV CKT 1
25SP	00NR	0	TO->FROM	G15_032_230_6	LUBBOCK POWER & LIGHT-CO-OP - LUBBOCK POWER & LIGHT-WADSWORTH 69KV CKT 1	141.2	0.00705	100.4356	LUBBOCK POWER & LIGHT-CHALKER - LUBBOCK POWER & LIGHT-OLIVER 69KV CKT 1
25SP	00NR	0	TO->FROM	G15_032_230_6	LUBBOCK POWER & LIGHT-SLATON - LUBBOCK POWER & LIGHT-SOUTHEAST 69KV CKT 1	143	0.00714	121.1483	LUBBOCK POWER & LIGHT-CO-OP - LUBBOCK POWER & LIGHT-WADSWORTH 69KV CKT 1
20SP	00NR	0	TO->FROM	G15_032_230_6	LUBBOCK POWER & LIGHT-SLATON - LUBBOCK POWER & LIGHT-SOUTHEAST 69KV CKT 1	142.8	0.00971	110.7934	LUBBOCK POWER & LIGHT-CO-OP - LUBBOCK POWER & LIGHT-WADSWORTH 69KV CKT 1
20SP	00NR	0	TO->FROM	G15_032_230_6	LUBBOCK POWER & LIGHT-SLATON - LUBBOCK POWER & LIGHT-SOUTHEAST 69KV CKT 1	142.8	0.00959	109.0126	LUBBOCK POWER & LIGHT-OLIVER - LUBBOCK POWER & LIGHT-SOUTHEAST 69KV CKT 1
25SP	00NR	0	FROM->TO	G15_032_230_6	WOLFFORTH INTERCHANGE (WH 7001668) 230/115/13.2KV TRANSFORMER CKT 1	140.3	0.00591	100.2658	CARLISLE INTERCHANGE (CARLISLE_XF) 230/115/13.2KV TRANSFORMER CKT 1
20WP	06ALL	2	FROM->TO	G15_032_230_6	ANADARKO - CORN TAP 138KV CKT 1	142.8	0.01474	100.2171	CIMARRON - MINCO 345KV CKT 1
15G	06ALL	2	TO->FROM	G15_032_230_6	ANADARKO - GRACMNT4 138.00 138KV CKT 1	225.1	0.05348	127.6419	CIMARRON - MINCO 345KV CKT 1
15G	06ALL	2	TO->FROM	G15_032_230_6	ANADARKO - GRACMNT4 138.00 138KV CKT 1	225.1	0.05348	119.4678	GRACEMONT - MINCO 345KV CKT 1
15G	06ALL	2	TO->FROM	G15_032_230_6	ANADARKO - GRACMNT4 138.00 138KV CKT 1	225.1	0.03047	106.9409	SOUTHWESTERN STATION - WASHITA 138KV CKT 1
15SP	06ALL	2	FROM->TO	G15_032_230_6	BENTLEY4 138.00 - HALSTEAD SOUTH BUS 138KV CKT 1	142.2	0.00691	108.2771	RENO COUNTY - WICHITA 345KV CKT 1
15WP	06ALL	2	FROM->TO	G15_032_230_6	BENTLEY4 138.00 - HALSTEAD SOUTH BUS 138KV CKT 1	142.2	0.00691	108.2771	RENO COUNTY - WICHITA 345KV CKT 1
20SP	06ALL	2	FROM->TO	G15_032_230_6	BENTLEY4 138.00 - HALSTEAD SOUTH BUS 138KV CKT 1	142.2	0.00691	108.2771	RENO COUNTY - WICHITA 345KV CKT 1
20WP	06ALL	2	FROM->TO	G15_032_230_6	CLEARWATER - GILL ENERGY CENTER WEST 138KV CKT 1	142.2	0.01391	102.4191	GILL ENERGY CENTER SOUTH - VIOLA 4 138.00 138KV CKT 1
15SP	06ALL	2	TO->FROM	G15_032_230_6	CLINTON CITY - FOSS TAP 69KV CKT 1	74.5	0.00789	103.4094	CLINTON JUNCTION - CLINTON NATURAL GAS TAP 138KV CKT 1
15WP	06ALL	2	TO->FROM	G15_032_230_6	CLINTON CITY - FOSS TAP 69KV CKT 1	74.5	0.00789	103.4094	CLINTON JUNCTION - CLINTON NATURAL GAS TAP 138KV CKT 1
20SP	06ALL	2	TO->FROM	G15_032_230_6	CLINTON CITY - FOSS TAP 69KV CKT 1	74.5	0.00789	103.4094	CLINTON JUNCTION - CLINTON NATURAL GAS TAP 138KV CKT 1
15SP	06ALL	2	FROM->TO	G15_032_230_6	CLINTON CITY - THOMAS TAP 69KV CKT 1	38.9	0.00789	125.5527	CLINTON JUNCTION - CLINTON NATURAL GAS TAP 138KV CKT 1
15WP	06ALL	2	FROM->TO	G15_032_230_6	CLINTON CITY - THOMAS TAP 69KV CKT 1	38.9	0.00789	125.5527	CLINTON JUNCTION - CLINTON NATURAL GAS TAP 138KV CKT 1
20SP	06ALL	2	FROM->TO	G15_032_230_6	CLINTON CITY - THOMAS TAP 69KV CKT 1	38.9	0.00789	125.5527	CLINTON JUNCTION - CLINTON NATURAL GAS TAP 138KV CKT 1
20WP	06ALL	2	FROM->TO	G15_032_230_6	CLINTON CITY - THOMAS TAP 69KV CKT 1	39	0.00753	102.8974	CLINTON JUNCTION - CLINTON NATURAL GAS TAP 138KV CKT 1
15G	06ALL	2	FROM->TO	G15_032_230_6	CLINTON CITY - THOMAS TAP 69KV CKT 1	47.9	0.00768	101.0731	CLINTON JUNCTION - CLINTON NATURAL GAS TAP 138KV CKT 1
15SP	06ALL	2	TO->FROM	G15_032_230_6	CLINTON JUNCTION - ELK CITY 138KV CKT 1	148.8	0.0427	140.5726	CHISHOLM7 345.00 - GRACEMONT 345KV CKT 1
15WP	06ALL	2	TO->FROM	G15_032_230_6	CLINTON JUNCTION - ELK CITY 138KV CKT 1	148.8	0.0427	140.5726	CHISHOLM7 345.00 - GRACEMONT 345KV CKT 1
20SP	06ALL	2	TO->FROM	G15_032_230_6	CLINTON JUNCTION - ELK CITY 138KV CKT 1	148.8	0.0427	140.5726	CHISHOLM7 345.00 - GRACEMONT 345KV CKT 1
15G	06ALL	2	TO->FROM	G15_032_230_6	CLINTON JUNCTION - ELK CITY 138KV CKT 1	185.1	0.04129	124.0011	CHISHOLM7 345.00 - GRACEMONT 345KV CKT 1
15SP	06ALL	2	TO->FROM	G15_032_230_6	CLINTON JUNCTION - ELK CITY 138KV CKT 1	148.8	0.03598	122.8266	G14-074T 345.00 - OKLAUNION 345KV CKT 1
15WP	06ALL	2	TO->FROM	G15_032_230_6	CLINTON JUNCTION - ELK CITY 138KV CKT 1	148.8	0.03598	122.8266	G14-074T 345.00 - OKLAUNION 345KV CKT 1
20SP	06ALL	2	TO->FROM	G15_032_230_6	CLINTON JUNCTION - ELK CITY 138KV CKT 1	148.8	0.03598	122.8266	G14-074T 345.00 - OKLAUNION 345KV CKT 1
15SP	06ALL	2	TO->FROM	G15_032_230_6	CLINTON JUNCTION - ELK CITY 138KV CKT 1	148.8	0.02203	120.3078	ONEY - WASHITA 138KV CKT 1
15WP	06ALL	2	TO->FROM	G15_032_230_6	CLINTON JUNCTION - ELK CITY 138KV CKT 1	148.8	0.02203	120.3078	ONEY - WASHITA 138KV CKT 1
20SP	06ALL	2	TO->FROM	G15_032_230_6	CLINTON JUNCTION - ELK CITY 138KV CKT 1	148.8	0.02203	120.3078	ONEY - WASHITA 138KV CKT 1
15SP	06ALL	2	TO->FROM	G15_032_230_6	CLINTON JUNCTION - ELK CITY 138KV CKT 1	148.8	0.03598	118.7271	G14-074T 345.00 - TUCO INTERCHANGE 345KV CKT 1
15WP	06ALL	2	TO->FROM	G15_032_230_6	CLINTON JUNCTION - ELK CITY 138KV CKT 1	148.8	0.03598	118.7271	G14-074T 345.00 - TUCO INTERCHANGE 345KV CKT 1
20SP	06ALL	2	TO->FROM	G15_032_230_6	CLINTON JUNCTION - ELK CITY 138KV CKT 1	148.8	0.03598	118.7271	G14-074T 345.00 - TUCO INTERCHANGE 345KV CKT 1
15SP	06ALL	2	TO->FROM	G15_032_230_6	CLINTON JUNCTION - ELK CITY 138KV CKT 1	148.8	0.03264	118.0309	NORTHWEST - TATONGA7 345.00 345KV CKT 1
15WP	06ALL	2	TO->FROM	G15_032_230_6	CLINTON JUNCTION - ELK CITY 138KV CKT 1	148.8	0.03264	118.0309	NORTHWEST - TATONGA7 345.00 345KV CKT 1
20SP	06ALL	2	TO->FROM	G15_032_230_6	CLINTON JUNCTION - ELK CITY 138KV CKT 1	148.8	0.03264	118.0309	NORTHWEST - TATONGA7 345.00 345KV CKT 1
15SP	06ALL	2	TO->FROM	G15_032_230_6	CLINTON JUNCTION - ELK CITY 138KV CKT 1	148.8	0.02203	117.754	BINGER NIJECT - ONEY 138KV CKT 1
15WP	06ALL	2	TO->FROM	G15_032_230_6	CLINTON JUNCTION - ELK CITY 138KV CKT 1	148.8	0.02203	117.754	BINGER NIJECT - ONEY 138KV CKT 1
20SP	06ALL	2	TO->FROM	G15_032_230_6	CLINTON JUNCTION - ELK CITY 138KV CKT 1	148.8	0.02203	117.754	BINGER NIJECT - ONEY 138KV CKT 1
15SP	06ALL	2	TO->FROM	G15_032_230_6	CLINTON JUNCTION - ELK CITY 138KV CKT 1	148.8	0.03264	117.5605	SPSCont-05b
15WP	06ALL	2	TO->FROM	G15_032_230_6	CLINTON JUNCTION - ELK CITY 138KV CKT 1	148.8	0.03264	117.5605	SPSCont-05b
20SP	06ALL	2	TO->FROM	G15_032_230_6	CLINTON JUNCTION - ELK CITY 138KV CKT 1	148.8	0.03264	117.5605	SPSCont-05b
15SP	06ALL	2	TO->FROM	G15_032_230_6	CLINTON JUNCTION - ELK CITY 138KV CKT 1	148.8	0.03264	117.1573	SPSCont-04
15WP	06ALL	2	TO->FROM	G15_032_230_6	CLINTON JUNCTION - ELK CITY 138KV CKT 1	148.8	0.03264	117.1573	SPSCont-04
20SP	06ALL	2	TO->FROM	G15_032_230_6	CLINTON JUNCTION - ELK CITY 138KV CKT 1	148.8	0.03264	117.1573	SPSCont-04
15SP	06ALL	2	TO->FROM	G15_032_230_6	CLINTON JUNCTION - ELK CITY 138KV CKT 1	148.8	0.03318	116.9167	DBL-THIS-WWRD
15WP	06ALL	2	TO->FROM	G15_032_230_6	CLINTON JUNCTION - ELK CITY 138KV CKT 1	148.8	0.03318	116.9167	DBL-THIS-WWRD
20SP	06ALL	2	TO->FROM	G15_032_230_6	CLINTON JUNCTION - ELK CITY 138KV CKT 1	148.8	0.03318	116.9167	DBL-THIS-WWRD
15SP	06ALL	2	TO->FROM	G15_032_230_6	CLINTON JUNCTION - ELK CITY 138KV CKT 1	132.4	0.0287	116.0045	BASE CASE
15WP	06ALL	2	TO->FROM	G15_032_230_6	CLINTON JUNCTION - ELK CITY 138KV CKT 1	132.4	0.0287	116.0045	BASE CASE
20SP	06ALL	2	TO->FROM	G15_032_230_6	CLINTON JUNCTION - ELK CITY 138KV CKT 1	132.4	0.0287	116.0045	BASE CASE
15SP	06ALL	2	TO->FROM	G15_032_230_6	CLINTON JUNCTION - ELK CITY 138KV CKT 1	148.8	0.03259	115.5282	CLINTON AIR FORCE BASE TAP - ELK CITY 138KV CKT 1
15WP	06ALL	2	TO->FROM	G15_032_230_6	CLINTON JUNCTION - ELK CITY 138KV CKT 1	148.8	0.03259	115.5282	CLINTON AIR FORCE BASE TAP - ELK CITY 138KV CKT 1
20SP	06ALL	2	TO->FROM	G15_032_230_6	CLINTON JUNCTION - ELK CITY 138KV CKT 1	148.8	0.03259	115.5282	CLINTON AIR FORCE BASE TAP - ELK CITY 138KV CKT 1
15SP	06ALL	2	TO->FROM	G15_032_230_6	CLINTON JUNCTION - ELK CITY 138KV CKT 1	148.8	0.03543	115.3145	CHISHOLM7 345.00 - WOODWARD DISTRICT EHV 345KV CKT 1
15WP	06ALL	2	TO->FROM	G15_032_230_6	CLINTON JUNCTION - ELK CITY 138KV CKT 1	148.8	0.03543	115.3145	CHISHOLM7 345.00 - WOODWARD DISTRICT EHV 345KV CKT 1
20SP	06ALL	2	TO->FROM	G15_032_230_6	CLINTON JUNCTION - ELK CITY 138KV CKT 1	148.8	0.03543	115.3145	CHISHOLM7 345.00 - WOODWARD DISTRICT EHV 345KV CKT 1
15SP	06ALL	2	TO->FROM	G15_032_230_6	CLINTON JUNCTION - ELK CITY 138KV CKT 1	148.8	0.03259	114.5874	CLINTON AIR FORCE BASE TAP - HOBART JUNCTION 138KV CKT 1
15WP	06ALL	2	TO->FROM	G15_032_230_6	CLINTON JUNCTION - ELK CITY 138KV CKT 1	148.8	0.03259	114.5874	CLINTON AIR FORCE BASE TAP - HOBART JUNCTION 138KV CKT 1
20SP	06ALL	2	TO->FROM	G15_032_230_6	CLINTON JUNCTION - ELK CITY 138KV CKT 1	148.8	0.03259	114.5874	CLINTON AIR FORCE BASE TAP - HOBART JUNCTION 138KV CKT 1
15SP	06ALL	2	TO->FROM	G15_032_230_6	CLINTON JUNCTION - ELK CITY 138KV CKT 1	148.8	0.02203	113.5874	BINGER NIJECT - SICKLES 138KV CKT 1
15WP	06ALL	2	TO->FROM	G15_032_230_6	CLINTON JUNCTION - ELK CITY 138KV CKT 1	148.8	0.02203	113.5874	BINGER NIJECT - SICKLES 138KV CKT 1
20SP	06ALL	2	TO->FROM	G15_032_230_6	CLINTON JUNCTION - ELK CITY 138KV CKT 1	148.8	0.02203	113.5874	BINGER NIJECT - SICKLES 138KV CKT 1

SEASON	GROUP	SCENARIO	DIRECTION	SOURCE	MONITORED ELEMENT	RATE (MVA)	TDF	CONTINGENCY LOADING %	CONTINGENCY
15WP	06ALL		2	FROM->TO	G15_032_230_6 ELK CITY 230KV (ELKCTY-6) 230/138/13.8KV TRANSFORMER CKT 1	446.4	0.08631	103.6402	G14-074T 345.00 - OKLAUNION 345KV CKT 1
20SP	06ALL		2	FROM->TO	G15_032_230_6 ELK CITY 230KV (ELKCTY-6) 230/138/13.8KV TRANSFORMER CKT 1	446.4	0.08631	103.6402	G14-074T 345.00 - OKLAUNION 345KV CKT 1
15SP	06ALL		2	FROM->TO	G15_032_230_6 ELK CITY 230KV (ELKCTY-6) 230/138/13.8KV TRANSFORMER CKT 1	449.3	0.08631	103.0603	G14-074T 345.00 - OKLAUNION 345KV CKT 1
15WP	06ALL		2	FROM->TO	G15_032_230_6 ELK CITY 230KV (ELKCTY-6) 230/138/13.8KV TRANSFORMER CKT 1	449.3	0.08631	103.0603	G14-074T 345.00 - OKLAUNION 345KV CKT 1
20SP	06ALL		2	FROM->TO	G15_032_230_6 ELK CITY 230KV (ELKCTY-6) 230/138/13.8KV TRANSFORMER CKT 1	449.3	0.08631	103.0603	G14-074T 345.00 - OKLAUNION 345KV CKT 1
15SP	06ALL		2	FROM->TO	G15_032_230_6 ELK CITY 230KV (ELKCTY-6) 230/138/13.8KV TRANSFORMER CKT 1	446.4	0.0925	101.7944	CHISHOLM7 345.00 - WOODWARD DISTRICT EHV 345KV CKT 1
15WP	06ALL		2	FROM->TO	G15_032_230_6 ELK CITY 230KV (ELKCTY-6) 230/138/13.8KV TRANSFORMER CKT 1	446.4	0.0925	101.7944	CHISHOLM7 345.00 - WOODWARD DISTRICT EHV 345KV CKT 1
20SP	06ALL		2	FROM->TO	G15_032_230_6 ELK CITY 230KV (ELKCTY-6) 230/138/13.8KV TRANSFORMER CKT 1	446.4	0.0925	101.7944	CHISHOLM7 345.00 - WOODWARD DISTRICT EHV 345KV CKT 1
15SP	06ALL		2	FROM->TO	G15_032_230_6 ELK CITY 230KV (ELKCTY-6) 230/138/13.8KV TRANSFORMER CKT 1	449.3	0.0925	101.2486	CHISHOLM7 345.00 - WOODWARD DISTRICT EHV 345KV CKT 1
15WP	06ALL		2	FROM->TO	G15_032_230_6 ELK CITY 230KV (ELKCTY-6) 230/138/13.8KV TRANSFORMER CKT 1	449.3	0.0925	101.2486	CHISHOLM7 345.00 - WOODWARD DISTRICT EHV 345KV CKT 1
20SP	06ALL		2	FROM->TO	G15_032_230_6 ELK CITY 230KV (ELKCTY-6) 230/138/13.8KV TRANSFORMER CKT 1	449.3	0.0925	101.2486	CHISHOLM7 345.00 - WOODWARD DISTRICT EHV 345KV CKT 1
15SP	06ALL		2	FROM->TO	G15_032_230_6 ELK CITY 230KV (ELKCTY-6) 230/138/13.8KV TRANSFORMER CKT 1	446.4	0.08631	100.1904	G14-074T 345.00 - TUCO INTERCHANGE 345KV CKT 1
15WP	06ALL		2	FROM->TO	G15_032_230_6 ELK CITY 230KV (ELKCTY-6) 230/138/13.8KV TRANSFORMER CKT 1	446.4	0.08631	100.1904	G14-074T 345.00 - TUCO INTERCHANGE 345KV CKT 1
20SP	06ALL		2	FROM->TO	G15_032_230_6 ELK CITY 230KV (ELKCTY-6) 230/138/13.8KV TRANSFORMER CKT 1	446.4	0.08631	100.1904	G14-074T 345.00 - TUCO INTERCHANGE 345KV CKT 1
15G	06ALL		2	FROM->TO	G15_032_230_6 FPL SWITCH - MOORELAND 138KV CKT 1	284.1	0.04613	119.0539	DBL-THIS-WWRD
15G	06ALL		2	FROM->TO	G15_032_230_6 FPL SWITCH - MOORELAND 138KV CKT 1	284.1	0.03779	111.6107	NORTHWEST - TATONGA7 345.00 345KV CKT 1
15G	06ALL		2	FROM->TO	G15_032_230_6 FPL SWITCH - MOORELAND 138KV CKT 1	284.1	0.03779	110.0619	SPSCont-04
15G	06ALL		2	FROM->TO	G15_032_230_6 FPL SWITCH - MOORELAND 138KV CKT 1	284.1	0.03779	109.8156	SPSCont-05b
15G	06ALL		2	FROM->TO	G15_032_230_6 FPL SWITCH - MOORELAND 138KV CKT 1	284.1	0.03737	108.3069	CHISHOLM6 230.00 - ELK CITY 230KV 230KV CKT 1
15G	06ALL		2	FROM->TO	G15_032_230_6 FPL SWITCH - MOORELAND 138KV CKT 1	284.1	0.03737	108.3069	ELK CITY 230KV (ELKCTY-6) 230/138/13.8KV TRANSFORMER CKT 1
15G	06ALL		2	FROM->TO	G15_032_230_6 FPL SWITCH - MOORELAND 138KV CKT 1	284.1	0.03779	104.6061	G11_051T 345.00 - TATONGA7 345.00 345KV CKT 1
15G	06ALL		2	FROM->TO	G15_032_230_6 FPL SWITCH - MOORELAND 138KV CKT 1	284.1	0.03779	103.8317	G11_051T 345.00 - WOODWARD DISTRICT EHV 345KV CKT 1
15G	06ALL		2	FROM->TO	G15_032_230_6 FPL SWITCH - MOORELAND 138KV CKT 1	284.1	0.03779	102.1422	SPSCont-05ax
15G	06ALL		2	FROM->TO	G15_032_230_6 FPL SWITCH - MOORELAND 138KV CKT 1	284.1	0.02888	101.9648	WOODWARD (WOODWRD2) 138/69/13.2KV TRANSFORMER CKT 1
15G	06ALL		2	TO->FROM	G15_032_230_6 FPL SWITCH - WOODWARD 138KV CKT 1	285.1	0.04613	112.2876	DBL-THIS-WWRD
15G	06ALL		2	TO->FROM	G15_032_230_6 FPL SWITCH - WOODWARD 138KV CKT 1	285.1	0.03779	104.8706	NORTHWEST - TATONGA7 345.00 345KV CKT 1
15G	06ALL		2	TO->FROM	G15_032_230_6 FPL SWITCH - WOODWARD 138KV CKT 1	285.1	0.03779	103.2922	SPSCont-04
15G	06ALL		2	TO->FROM	G15_032_230_6 FPL SWITCH - WOODWARD 138KV CKT 1	285.1	0.03779	103.0466	SPSCont-05b
15G	06ALL		2	TO->FROM	G15_032_230_6 FPL SWITCH - WOODWARD 138KV CKT 1	285.1	0.03737	101.5784	CHISHOLM6 230.00 - ELK CITY 230KV 230KV CKT 1
15G	06ALL		2	TO->FROM	G15_032_230_6 FPL SWITCH - WOODWARD 138KV CKT 1	285.1	0.03737	101.5433	ELK CITY 230KV (ELKCTY-6) 230/138/13.8KV TRANSFORMER CKT 1
15SP	06ALL		2	TO->FROM	G15_032_230_6 GLASS MOUNTAIN - MOORELAND 138KV CKT 1	122.3	0.02073	109.1447	DBL-THIS-WWRD
15WP	06ALL		2	TO->FROM	G15_032_230_6 GLASS MOUNTAIN - MOORELAND 138KV CKT 1	122.3	0.02073	109.1447	DBL-THIS-WWRD
20SP	06ALL		2	TO->FROM	G15_032_230_6 GLASS MOUNTAIN - MOORELAND 138KV CKT 1	122.3	0.02073	109.1447	DBL-THIS-WWRD
15SP	06ALL		2	TO->FROM	G15_032_230_6 GLASS MOUNTAIN - MOORELAND 138KV CKT 1	122.3	0.01595	100.5086	MOORELAND - NOEL_SW 138.00 138KV CKT 1
15WP	06ALL		2	TO->FROM	G15_032_230_6 GLASS MOUNTAIN - MOORELAND 138KV CKT 1	122.3	0.01595	100.5086	MOORELAND - NOEL_SW 138.00 138KV CKT 1
20SP	06ALL		2	TO->FROM	G15_032_230_6 GLASS MOUNTAIN - MOORELAND 138KV CKT 1	122.3	0.01595	100.5086	MOORELAND - NOEL_SW 138.00 138KV CKT 1
15G	06ALL		2	FROM->TO	G15_032_230_6 Harrington Station East Bus - POTTER COUNTY INTERCHANGE 230KV CKT 1	346.8	-0.0135	106.7941	CHERRY1 - HARRINGTON STATION 230KV CKT 1
15G	06ALL		2	FROM->TO	G15_032_230_6 Harrington Station East Bus - POTTER COUNTY INTERCHANGE 230KV CKT 1	346.8	-0.01362	103.0098	CHERRY1 - POTTER COUNTY INTERCHANGE 230KV CKT 1
15G	06ALL		2	TO->FROM	G15_032_230_6 HAYS PLANT - SOUTH HAYS 115KV CKT 1	98.9	0.00607	115.3812	KNOLL 230 - POSTROCK6 230.00 230KV CKT 1
15SP	06ALL		2	FROM->TO	G15_032_230_6 HAYS PLANT - VINE STREET 115KV CKT 1	88	0.00582	116.8955	KNOLL 230 - POSTROCK6 230.00 230KV CKT 1
15WP	06ALL		2	FROM->TO	G15_032_230_6 HAYS PLANT - VINE STREET 115KV CKT 1	88	0.00582	116.8955	KNOLL 230 - POSTROCK6 230.00 230KV CKT 1
20SP	06ALL		2	FROM->TO	G15_032_230_6 HAYS PLANT - VINE STREET 115KV CKT 1	88	0.00582	116.8955	KNOLL 230 - POSTROCK6 230.00 230KV CKT 1
15G	06ALL		2	FROM->TO	G15_032_230_6 HAYS PLANT - VINE STREET 115KV CKT 1	87.9	0.00607	105.8157	KNOLL 230 - POSTROCK6 230.00 230KV CKT 1
15SP	06ALL		2	FROM->TO	G15_032_230_6 JERICHO (JERIC2WT) 115/69/14.4KV TRANSFORMER CKT 1	45.6	0.00663	106.6974	KIRBY SWITCHING STATION - MCCLELLAN SUB 115KV CKT 1
15WP	06ALL		2	FROM->TO	G15_032_230_6 JERICHO (JERIC2WT) 115/69/14.4KV TRANSFORMER CKT 1	45.6	0.00663	106.6974	KIRBY SWITCHING STATION - MCCLELLAN SUB 115KV CKT 1
20SP	06ALL		2	FROM->TO	G15_032_230_6 JERICHO (JERIC2WT) 115/69/14.4KV TRANSFORMER CKT 1	45.6	0.00663	106.6974	KIRBY SWITCHING STATION - MCCLELLAN SUB 115KV CKT 1
15SP	06ALL		2	FROM->TO	G15_032_230_6 JERICHO (JERIC2WT) 115/69/14.4KV TRANSFORMER CKT 1	45.9	0.00663	106	KIRBY SWITCHING STATION - MCCLELLAN SUB 115KV CKT 1
15WP	06ALL		2	FROM->TO	G15_032_230_6 JERICHO (JERIC2WT) 115/69/14.4KV TRANSFORMER CKT 1	45.9	0.00663	106	KIRBY SWITCHING STATION - MCCLELLAN SUB 115KV CKT 1
20SP	06ALL		2	FROM->TO	G15_032_230_6 JERICHO (JERIC2WT) 115/69/14.4KV TRANSFORMER CKT 1	45.9	0.00663	106	KIRBY SWITCHING STATION - MCCLELLAN SUB 115KV CKT 1
15SP	06ALL		2	FROM->TO	G15_032_230_6 JERICHO (JERIC2WT) 115/69/14.4KV TRANSFORMER CKT 1	45.6	0.00663	105.1623	MCCLELLAN SUB - MCLEAN RURAL SUB 115KV CKT 1
15WP	06ALL		2	FROM->TO	G15_032_230_6 JERICHO (JERIC2WT) 115/69/14.4KV TRANSFORMER CKT 1	45.6	0.00663	105.1623	MCCLELLAN SUB - MCLEAN RURAL SUB 115KV CKT 1
20SP	06ALL		2	FROM->TO	G15_032_230_6 JERICHO (JERIC2WT) 115/69/14.4KV TRANSFORMER CKT 1	45.6	0.00663	105.1623	MCCLELLAN SUB - MCLEAN RURAL SUB 115KV CKT 1
15SP	06ALL		2	FROM->TO	G15_032_230_6 JERICHO (JERIC2WT) 115/69/14.4KV TRANSFORMER CKT 1	45.9	0.00663	104.6928	MCCLELLAN SUB - MCLEAN RURAL SUB 115KV CKT 1
15WP	06ALL		2	FROM->TO	G15_032_230_6 JERICHO (JERIC2WT) 115/69/14.4KV TRANSFORMER CKT 1	45.9	0.00663	104.6928	MCCLELLAN SUB - MCLEAN RURAL SUB 115KV CKT 1
20SP	06ALL		2	FROM->TO	G15_032_230_6 JERICHO (JERIC2WT) 115/69/14.4KV TRANSFORMER CKT 1	45.9	0.00663	104.6928	MCCLELLAN SUB - MCLEAN RURAL SUB 115KV CKT 1
15G	06ALL		2	FROM->TO	G15_032_230_6 JERICHO (JERIC2WT) 115/69/14.4KV TRANSFORMER CKT 1	45.7	0.0067	101.7287	KIRBY SWITCHING STATION - MCCLELLAN SUB 115KV CKT 1
15SP	06ALL		2	FROM->TO	G15_032_230_6 JERICHO (JERIC2WT) 115/69/14.4KV TRANSFORMER CKT 1	45.6	0.00663	101.6535	SPP-SWPS-T54
15WP	06ALL		2	FROM->TO	G15_032_230_6 JERICHO (JERIC2WT) 115/69/14.4KV TRANSFORMER CKT 1	45.6	0.00663	101.6535	SPP-SWPS-T54
20SP	06ALL		2	FROM->TO	G15_032_230_6 JERICHO (JERIC2WT) 115/69/14.4KV TRANSFORMER CKT 1	45.6	0.00663	101.6535	SPP-SWPS-T54
15G	06ALL		2	FROM->TO	G15_032_230_6 JERICHO (JERIC2WT) 115/69/14.4KV TRANSFORMER CKT 1	45.9	0.0067	101.2854	KIRBY SWITCHING STATION - MCCLELLAN SUB 115KV CKT 1
15SP	06ALL		2	FROM->TO	G15_032_230_6 JERICHO (JERIC2WT) 115/69/14.4KV TRANSFORMER CKT 1	45.9	0.00663	100.9891	SPP-SWPS-T54
15WP	06ALL		2	FROM->TO	G15_032_230_6 JERICHO (JERIC2WT) 115/69/14.4KV TRANSFORMER CKT 1	45.9	0.00663	100.9891	SPP-SWPS-T54
20SP	06ALL		2	FROM->TO	G15_032_230_6 JERICHO (JERIC2WT) 115/69/14.4KV TRANSFORMER CKT 1	45.9	0.00663	100.9891	SPP-SWPS-T54
15G	06ALL		2	FROM->TO	G15_032_230_6 JERICHO (JERIC2WT) 115/69/14.4KV TRANSFORMER CKT 1	45.7	0.0067	100.4158	MCCLELLAN SUB - MCLEAN RURAL SUB 115KV CKT 1
15SP	06ALL		2	FROM->TO	G15_032_230_6 JERICHO (JERIC2WT) 115/69/14.4KV TRANSFORMER CKT 1	45.6	0.00663	100.1184	MCLEAN RURAL SUB - SHAMROCK 115KV CKT 1

SEASON	GROUP	SCENARIO	DIRECTION	SOURCE	MONITORED ELEMENT	RATE (MVA)	CONTINGENCY		CONTINGENCY
							TDF	LOADING %	
15WP	06ALL		2 FROM->TO	G15_032_230_6	JERICO (JERIC2WT) 115/69/14.4KV TRANSFORMER CKT 1	45.6	0.00663	100.1184	MCLEAN RURAL SUB - SHAMROCK 115KV CKT 1
20SP	06ALL		2 FROM->TO	G15_032_230_6	JERICO (JERIC2WT) 115/69/14.4KV TRANSFORMER CKT 1	45.6	0.00663	100.1184	MCLEAN RURAL SUB - SHAMROCK 115KV CKT 1
25SP	06ALL		2 TO->FROM	G15_032_230_6	KRESS INTERCHANGE - SWISHER COUNTY INTERCHANGE 115KV CKT 1	205.6	0.01884	147.5506	BASE CASE
25SP	06ALL		2 TO->FROM	G15_032_230_6	KRESS INTERCHANGE - SWISHER COUNTY INTERCHANGE 115KV CKT 1	227.8	0.04482	146.9104	AMARILLO SOUTH INTERCHANGE - SWISHER COUNTY INTERCHANGE 230KV CKT 1
20WP	06ALL		2 TO->FROM	G15_032_230_6	KRESS INTERCHANGE - SWISHER COUNTY INTERCHANGE 115KV CKT 1	231.1	0.04469	138.894	AMARILLO SOUTH INTERCHANGE - SWISHER COUNTY INTERCHANGE 230KV CKT 1
25SP	06ALL		2 TO->FROM	G15_032_230_6	KRESS INTERCHANGE - SWISHER COUNTY INTERCHANGE 115KV CKT 1	227.8	0.01724	138.6541	PLANT X STATION (WH ALM20171) 230/115/13.2KV TRANSFORMER CKT 1
25SP	06ALL		2 TO->FROM	G15_032_230_6	KRESS INTERCHANGE - SWISHER COUNTY INTERCHANGE 115KV CKT 1	227.8	0.03036	137.1282	NEWHART 230 (UPDATE LATER) 230/115/13.2KV TRANSFORMER CKT 2
25SP	06ALL		2 TO->FROM	G15_032_230_6	KRESS INTERCHANGE - SWISHER COUNTY INTERCHANGE 115KV CKT 1	227.8	0.03036	137.1282	NEWHART 230 (WALK WT01105) 230/115/13.2KV TRANSFORMER CKT 1
25SP	06ALL		2 TO->FROM	G15_032_230_6	KRESS INTERCHANGE - SWISHER COUNTY INTERCHANGE 115KV CKT 1	227.8	0.01884	136.5514	G11_025_2 34.500 34.5/0.69KV TRANSFORMER CKT 1
25SP	06ALL		2 TO->FROM	G15_032_230_6	KRESS INTERCHANGE - SWISHER COUNTY INTERCHANGE 115KV CKT 1	227.8	0.01884	136.5074	G11_025_1 115.00 115/34.5KV TRANSFORMER CKT 1
25SP	06ALL		2 TO->FROM	G15_032_230_6	KRESS INTERCHANGE - SWISHER COUNTY INTERCHANGE 115KV CKT 1	227.8	0.01884	136.5074	G11_025T 115.00 - G11_025_1 115.00 115KV CKT 1
25SP	06ALL		2 TO->FROM	G15_032_230_6	KRESS INTERCHANGE - SWISHER COUNTY INTERCHANGE 115KV CKT 1	227.8	0.01729	136.4469	TUCO INTERCHANGE (GE M102345) 230/115/13.2KV TRANSFORMER CKT 1
25SP	06ALL		2 TO->FROM	G15_032_230_6	KRESS INTERCHANGE - SWISHER COUNTY INTERCHANGE 115KV CKT 1	227.8	0.01884	136.2458	TOLK STATION WEST 230/24.0KV TRANSFORMER CKT 1
25SP	06ALL		2 TO->FROM	G15_032_230_6	KRESS INTERCHANGE - SWISHER COUNTY INTERCHANGE 115KV CKT 1	227.8	0.01739	136.2204	TUCO INTERCHANGE (ENRCO 136401) 230/115/13.2KV TRANSFORMER CKT 2
20WP	06ALL		2 TO->FROM	G15_032_230_6	KRESS INTERCHANGE - SWISHER COUNTY INTERCHANGE 115KV CKT 1	209.3	0.01886	135.7296	BASE CASE
25SP	06ALL		2 TO->FROM	G15_032_230_6	KRESS INTERCHANGE - SWISHER COUNTY INTERCHANGE 115KV CKT 1	227.8	0.01775	135.6558	FLOYD COUNTY INTERCHANGE - G11_025T 115.00 115KV CKT 1
25SP	06ALL		2 TO->FROM	G15_032_230_6	KRESS INTERCHANGE - SWISHER COUNTY INTERCHANGE 115KV CKT 1	227.8	0.01884	135.6444	TOLK STATION EAST 230/24.0KV TRANSFORMER CKT 1
20WP	06ALL		2 TO->FROM	G15_032_230_6	KRESS INTERCHANGE - SWISHER COUNTY INTERCHANGE 115KV CKT 1	231.1	0.01453	135.4686	SWISHER COUNTY INTERCHANGE (SWISHER2) 230/115/13.2KV TRANSFORMER CKT 1
20WP	06ALL		2 TO->FROM	G15_032_230_6	KRESS INTERCHANGE - SWISHER COUNTY INTERCHANGE 115KV CKT 1	231.1	0.01453	135.4686	SWISHER COUNTY INTERCHANGE (UPDATE LATER) 230/115/13.2KV TRANSFORMER CKT 1
25SP	06ALL		2 TO->FROM	G15_032_230_6	KRESS INTERCHANGE - SWISHER COUNTY INTERCHANGE 115KV CKT 1	227.8	0.01861	135.4469	HALE CO INTERCHANGE - PLANT X STATION 115KV CKT 1
25SP	06ALL		2 TO->FROM	G15_032_230_6	KRESS INTERCHANGE - SWISHER COUNTY INTERCHANGE 115KV CKT 1	227.8	0.01884	135.0325	PLANT X STATION 115/13.8KV TRANSFORMER CKT 1
25SP	06ALL		2 TO->FROM	G15_032_230_6	KRESS INTERCHANGE - SWISHER COUNTY INTERCHANGE 115KV CKT 1	227.8	0.01874	135.0035	LAMB COUNTY INTERCHANGE - TOLK STATION WEST 230KV CKT 1
25SP	06ALL		2 TO->FROM	G15_032_230_6	KRESS INTERCHANGE - SWISHER COUNTY INTERCHANGE 115KV CKT 1	227.8	0.01874	134.9596	LAMB COUNTY INTERCHANGE (WH ALM20172) 230/115/13.2KV TRANSFORMER CKT 1
25SP	06ALL		2 TO->FROM	G15_032_230_6	KRESS INTERCHANGE - SWISHER COUNTY INTERCHANGE 115KV CKT 1	227.8	0.01874	134.9596	SWISHER COUNTY INTERCHANGE (UPDATE LATER) 230/115/13.2KV TRANSFORMER CKT 1
25SP	06ALL		2 TO->FROM	G15_032_230_6	KRESS INTERCHANGE - SWISHER COUNTY INTERCHANGE 115KV CKT 1	227.8	0.05174	133.8463	KRESS INTERCHANGE - NEWHART 115KV CKT 1
15SP	06ALL		2 TO->FROM	G15_032_230_6	KRESS INTERCHANGE - SWISHER COUNTY INTERCHANGE 115KV CKT 1	234.4	0.04454	131.9087	AMARILLO SOUTH INTERCHANGE - SWISHER COUNTY INTERCHANGE 230KV CKT 1
15WP	06ALL		2 TO->FROM	G15_032_230_6	KRESS INTERCHANGE - SWISHER COUNTY INTERCHANGE 115KV CKT 1	234.4	0.04454	131.9087	AMARILLO SOUTH INTERCHANGE - SWISHER COUNTY INTERCHANGE 230KV CKT 1
20SP	06ALL		2 TO->FROM	G15_032_230_6	KRESS INTERCHANGE - SWISHER COUNTY INTERCHANGE 115KV CKT 1	234.4	0.04454	131.9087	AMARILLO SOUTH INTERCHANGE - SWISHER COUNTY INTERCHANGE 230KV CKT 1
20WP	06ALL		2 TO->FROM	G15_032_230_6	KRESS INTERCHANGE - SWISHER COUNTY INTERCHANGE 115KV CKT 1	231.1	0.01727	127.8546	PLANT X STATION (WH ALM20171) 230/115/13.2KV TRANSFORMER CKT 1
15SP	06ALL		2 TO->FROM	G15_032_230_6	KRESS INTERCHANGE - SWISHER COUNTY INTERCHANGE 115KV CKT 1	234.4	0.01442	127.8515	SWISHER COUNTY INTERCHANGE (SWISHER2) 230/115/13.2KV TRANSFORMER CKT 1
15SP	06ALL		2 TO->FROM	G15_032_230_6	KRESS INTERCHANGE - SWISHER COUNTY INTERCHANGE 115KV CKT 1	234.4	0.01442	127.8515	SWISHER COUNTY INTERCHANGE (UPDATE LATER) 230/115/13.2KV TRANSFORMER CKT 1
15WP	06ALL		2 TO->FROM	G15_032_230_6	KRESS INTERCHANGE - SWISHER COUNTY INTERCHANGE 115KV CKT 1	234.4	0.01442	127.8515	SWISHER COUNTY INTERCHANGE (SWISHER2) 230/115/13.2KV TRANSFORMER CKT 1
15WP	06ALL		2 TO->FROM	G15_032_230_6	KRESS INTERCHANGE - SWISHER COUNTY INTERCHANGE 115KV CKT 1	234.4	0.01442	127.8515	SWISHER COUNTY INTERCHANGE (UPDATE LATER) 230/115/13.2KV TRANSFORMER CKT 1
20SP	06ALL		2 TO->FROM	G15_032_230_6	KRESS INTERCHANGE - SWISHER COUNTY INTERCHANGE 115KV CKT 1	234.4	0.01442	127.8515	SWISHER COUNTY INTERCHANGE (SWISHER2) 230/115/13.2KV TRANSFORMER CKT 1
20WP	06ALL		2 TO->FROM	G15_032_230_6	KRESS INTERCHANGE - SWISHER COUNTY INTERCHANGE 115KV CKT 1	231.1	0.01886	126.2579	G11_025_1 115.00 115/34.5KV TRANSFORMER CKT 1
20WP	06ALL		2 TO->FROM	G15_032_230_6	KRESS INTERCHANGE - SWISHER COUNTY INTERCHANGE 115KV CKT 1	231.1	0.01886	126.2579	G11_025_2 34.500 34.5/0.69KV TRANSFORMER CKT 1
20WP	06ALL		2 TO->FROM	G15_032_230_6	KRESS INTERCHANGE - SWISHER COUNTY INTERCHANGE 115KV CKT 1	231.1	0.01886	126.2579	G11_025T 115.00 - G11_025_1 115.00 115KV CKT 1
20WP	06ALL		2 TO->FROM	G15_032_230_6	KRESS INTERCHANGE - SWISHER COUNTY INTERCHANGE 115KV CKT 1	231.1	0.03039	126.2233	NEWHART 230 (UPDATE LATER) 230/115/13.2KV TRANSFORMER CKT 2
20WP	06ALL		2 TO->FROM	G15_032_230_6	KRESS INTERCHANGE - SWISHER COUNTY INTERCHANGE 115KV CKT 1	231.1	0.03039	126.2233	NEWHART 230 (WALK WT01105) 230/115/13.2KV TRANSFORMER CKT 1
20WP	06ALL		2 TO->FROM	G15_032_230_6	KRESS INTERCHANGE - SWISHER COUNTY INTERCHANGE 115KV CKT 1	231.1	0.01886	125.9974	TOLK STATION WEST 230/24.0KV TRANSFORMER CKT 1
20WP	06ALL		2 TO->FROM	G15_032_230_6	KRESS INTERCHANGE - SWISHER COUNTY INTERCHANGE 115KV CKT 1	231.1	0.01776	125.9758	FLOYD COUNTY INTERCHANGE - G11_025T 115.00 115KV CKT 1
15SP	06ALL		2 TO->FROM	G15_032_230_6	KRESS INTERCHANGE - SWISHER COUNTY INTERCHANGE 115KV CKT 1	212.9	0.01871	125.3105	BASE CASE
15WP	06ALL		2 TO->FROM	G15_032_230_6	KRESS INTERCHANGE - SWISHER COUNTY INTERCHANGE 115KV CKT 1	212.9	0.01871	125.3105	BASE CASE
20SP	06ALL		2 TO->FROM	G15_032_230_6	KRESS INTERCHANGE - SWISHER COUNTY INTERCHANGE 115KV CKT 1	212.9	0.01871	125.3105	BASE CASE
20WP	06ALL		2 TO->FROM	G15_032_230_6	KRESS INTERCHANGE - SWISHER COUNTY INTERCHANGE 115KV CKT 1	231.1	0.02497	125.2869	NEWHART 230 - POTTER COUNTY INTERCHANGE 230KV CKT 1
20WP	06ALL		2 TO->FROM	G15_032_230_6	KRESS INTERCHANGE - SWISHER COUNTY INTERCHANGE 115KV CKT 1	231.1	0.01731	125.2436	TUCO INTERCHANGE (GE M102345) 230/115/13.2KV TRANSFORMER CKT 1
20WP	06ALL		2 TO->FROM	G15_032_230_6	KRESS INTERCHANGE - SWISHER COUNTY INTERCHANGE 115KV CKT 1	231.1	0.01865	125.1718	HALE CO INTERCHANGE - PLANT X STATION 115KV CKT 1
20WP	06ALL		2 TO->FROM	G15_032_230_6	KRESS INTERCHANGE - SWISHER COUNTY INTERCHANGE 115KV CKT 1	231.1	0.01741	125.1095	TUCO INTERCHANGE (ENRCO 136401) 230/115/13.2KV TRANSFORMER CKT 2
20WP	06ALL		2 TO->FROM	G15_032_230_6	KRESS INTERCHANGE - SWISHER COUNTY INTERCHANGE 115KV CKT 1	231.1	0.01886	124.9822	TOLK STATION EAST 230/24.0KV TRANSFORMER CKT 1
20WP	06ALL		2 TO->FROM	G15_032_230_6	KRESS INTERCHANGE - SWISHER COUNTY INTERCHANGE 115KV CKT 1	231.1	0.01886	124.9888	PLANT X STATION 115/13.8KV TRANSFORMER CKT 1
20WP	06ALL		2 TO->FROM	G15_032_230_6	KRESS INTERCHANGE - SWISHER COUNTY INTERCHANGE 115KV CKT 1	231.1	0.05182	123.4721	KRESS INTERCHANGE - NEWHART 115KV CKT 1
15SP	06ALL		2 TO->FROM	G15_032_230_6	KRESS INTERCHANGE - SWISHER COUNTY INTERCHANGE 115KV CKT 1	234.4	0.0678	120.9898	SWISHER COUNTY INTERCHANGE - TUCO_2 230.00 230KV CKT 1
15WP	06ALL		2 TO->FROM	G15_032_230_6	KRESS INTERCHANGE - SWISHER COUNTY INTERCHANGE 115KV CKT 1	234.4	0.0678	120.9898	SWISHER COUNTY INTERCHANGE - TUCO_2 230.00 230KV CKT 1
20SP	06ALL		2 TO->FROM	G15_032_230_6	KRESS INTERCHANGE - SWISHER COUNTY INTERCHANGE 115KV CKT 1	234.4	0.0678	120.9898	SWISHER COUNTY INTERCHANGE - TUCO_2 230.00 230KV CKT 1
15SP	06ALL		2 TO->FROM	G15_032_230_6	KRESS INTERCHANGE - SWISHER COUNTY INTERCHANGE 115KV CKT 1	234.4	0.01709	118.6178	PLANT X STATION (WH ALM20171) 230/115/13.2KV TRANSFORMER CKT 1
15WP	06ALL		2 TO->FROM	G15_032_230_6	KRESS INTERCHANGE - SWISHER COUNTY INTERCHANGE 115KV CKT 1	234.4	0.01709	118.6178	PLANT X STATION (WH ALM20171) 230/115/13.2KV TRANSFORMER CKT 1
20SP	06ALL		2 TO->FROM	G15_032_230_6	KRESS INTERCHANGE - SWISHER COUNTY INTERCHANGE 115KV CKT 1	234.4	0.01709	118.6178	PLANT X STATION (WH ALM20171) 230/115/13.2KV TRANSFORMER CKT 1
15SP	06ALL		2 TO->FROM	G15_032_230_6	KRESS INTERCHANGE - SWISHER COUNTY INTERCHANGE 115KV CKT 1	234.4	0.01871	117.0589	G11_025_1 115.00 115/34.5KV TRANSFORMER CKT 1
15SP	06ALL		2 TO->FROM	G15_032_230_6	KRESS INTERCHANGE - SWISHER COUNTY INTERCHANGE 115KV CKT 1	234.4	0.01871	117.0589	G11_025_2 34.500 34.5/0.69KV TRANSFORMER CKT 1
15SP	06ALL		2 TO->FROM	G15_032_230_6	KRESS INTERCHANGE - SWISHER COUNTY INTERCHANGE 115KV CKT 1	234.4	0.01871	117.0589	G11_025T 115.00 - G11_025_1 115.00 115KV CKT 1
15WP	06ALL		2 TO->FROM	G15_032_230_6	KRESS INTERCHANGE - SWISHER COUNTY INTERCHANGE 115KV CKT 1	234.4	0.01871	117.0589	G11_025_1 115.00 115/34.5KV TRANSFORMER CKT 1

SEASON	GROUP	SCENARIO	DIRECTION	SOURCE	MONITORED ELEMENT	RATE (MVA)	CONTINGENCY		
							TDF	LOADING %	CONTINGENCY
15WP	06ALL	2	TO->FROM	G15_032_230_6	KRESS INTERCHANGE - SWISHER COUNTY INTERCHANGE 115KV CKT 1	234.4	0.01871	117.0589	G11_025_2 34.500 34.5/0.69KV TRANSFORMER CKT 1
15WP	06ALL	2	TO->FROM	G15_032_230_6	KRESS INTERCHANGE - SWISHER COUNTY INTERCHANGE 115KV CKT 1	234.4	0.01871	117.0589	G11_025T 115.00 - G11_025_1 115.00 115KV CKT 1
20SP	06ALL	2	TO->FROM	G15_032_230_6	KRESS INTERCHANGE - SWISHER COUNTY INTERCHANGE 115KV CKT 1	234.4	0.01871	117.0589	G11_025_1 115.00 115/34.5KV TRANSFORMER CKT 1
20SP	06ALL	2	TO->FROM	G15_032_230_6	KRESS INTERCHANGE - SWISHER COUNTY INTERCHANGE 115KV CKT 1	234.4	0.01871	117.0589	G11_025_2 34.500 34.5/0.69KV TRANSFORMER CKT 1
20SP	06ALL	2	TO->FROM	G15_032_230_6	KRESS INTERCHANGE - SWISHER COUNTY INTERCHANGE 115KV CKT 1	234.4	0.01871	117.0589	G11_025T 115.00 - G11_025_1 115.00 115KV CKT 1
15SP	06ALL	2	TO->FROM	G15_032_230_6	KRESS INTERCHANGE - SWISHER COUNTY INTERCHANGE 115KV CKT 1	234.4	0.01871	116.8421	TOLK STATION WEST 230/24.0KV TRANSFORMER CKT 1
15WP	06ALL	2	TO->FROM	G15_032_230_6	KRESS INTERCHANGE - SWISHER COUNTY INTERCHANGE 115KV CKT 1	234.4	0.01871	116.8421	TOLK STATION WEST 230/24.0KV TRANSFORMER CKT 1
20SP	06ALL	2	TO->FROM	G15_032_230_6	KRESS INTERCHANGE - SWISHER COUNTY INTERCHANGE 115KV CKT 1	234.4	0.01871	116.8421	TOLK STATION WEST 230/24.0KV TRANSFORMER CKT 1
15SP	06ALL	2	TO->FROM	G15_032_230_6	KRESS INTERCHANGE - SWISHER COUNTY INTERCHANGE 115KV CKT 1	234.4	0.02481	116.5282	NEWHART 230 - POTTER COUNTY INTERCHANGE 230KV CKT 1
15WP	06ALL	2	TO->FROM	G15_032_230_6	KRESS INTERCHANGE - SWISHER COUNTY INTERCHANGE 115KV CKT 1	234.4	0.02481	116.5282	NEWHART 230 - POTTER COUNTY INTERCHANGE 230KV CKT 1
20SP	06ALL	2	TO->FROM	G15_032_230_6	KRESS INTERCHANGE - SWISHER COUNTY INTERCHANGE 115KV CKT 1	234.4	0.02481	116.5282	NEWHART 230 - POTTER COUNTY INTERCHANGE 230KV CKT 1
15SP	06ALL	2	TO->FROM	G15_032_230_6	KRESS INTERCHANGE - SWISHER COUNTY INTERCHANGE 115KV CKT 1	234.4	0.01772	116.523	FLOYD COUNTY INTERCHANGE - G11_025T 115.00 115KV CKT 1
15WP	06ALL	2	TO->FROM	G15_032_230_6	KRESS INTERCHANGE - SWISHER COUNTY INTERCHANGE 115KV CKT 1	234.4	0.01772	116.523	FLOYD COUNTY INTERCHANGE - G11_025T 115.00 115KV CKT 1
20SP	06ALL	2	TO->FROM	G15_032_230_6	KRESS INTERCHANGE - SWISHER COUNTY INTERCHANGE 115KV CKT 1	234.4	0.01772	116.523	FLOYD COUNTY INTERCHANGE - G11_025T 115.00 115KV CKT 1
15SP	06ALL	2	TO->FROM	G15_032_230_6	KRESS INTERCHANGE - SWISHER COUNTY INTERCHANGE 115KV CKT 1	234.4	0.01852	116.5051	HALE CO INTERCHANGE - PLANT X STATION 115KV CKT 1
15WP	06ALL	2	TO->FROM	G15_032_230_6	KRESS INTERCHANGE - SWISHER COUNTY INTERCHANGE 115KV CKT 1	234.4	0.01852	116.5051	HALE CO INTERCHANGE - PLANT X STATION 115KV CKT 1
20SP	06ALL	2	TO->FROM	G15_032_230_6	KRESS INTERCHANGE - SWISHER COUNTY INTERCHANGE 115KV CKT 1	234.4	0.01852	116.5051	HALE CO INTERCHANGE - PLANT X STATION 115KV CKT 1
15SP	06ALL	2	TO->FROM	G15_032_230_6	KRESS INTERCHANGE - SWISHER COUNTY INTERCHANGE 115KV CKT 1	234.4	0.03025	116.4275	NEWHART 230 (UPDATE LATER) 230/115/13.2KV TRANSFORMER CKT 2
15SP	06ALL	2	TO->FROM	G15_032_230_6	KRESS INTERCHANGE - SWISHER COUNTY INTERCHANGE 115KV CKT 1	234.4	0.03025	116.4275	NEWHART 230 (WAIK WT01105) 230/115/13.2KV TRANSFORMER CKT 1
15WP	06ALL	2	TO->FROM	G15_032_230_6	KRESS INTERCHANGE - SWISHER COUNTY INTERCHANGE 115KV CKT 1	234.4	0.03025	116.4275	NEWHART 230 (UPDATE LATER) 230/115/13.2KV TRANSFORMER CKT 2
15WP	06ALL	2	TO->FROM	G15_032_230_6	KRESS INTERCHANGE - SWISHER COUNTY INTERCHANGE 115KV CKT 1	234.4	0.03025	116.4275	NEWHART 230 (WAIK WT01105) 230/115/13.2KV TRANSFORMER CKT 1
20SP	06ALL	2	TO->FROM	G15_032_230_6	KRESS INTERCHANGE - SWISHER COUNTY INTERCHANGE 115KV CKT 1	234.4	0.03025	116.4275	NEWHART 230 (UPDATE LATER) 230/115/13.2KV TRANSFORMER CKT 2
20SP	06ALL	2	TO->FROM	G15_032_230_6	KRESS INTERCHANGE - SWISHER COUNTY INTERCHANGE 115KV CKT 1	234.4	0.03025	116.4275	NEWHART 230 (WAIK WT01105) 230/115/13.2KV TRANSFORMER CKT 1
15SP	06ALL	2	TO->FROM	G15_032_230_6	KRESS INTERCHANGE - SWISHER COUNTY INTERCHANGE 115KV CKT 1	234.4	0.01715	115.6775	TUCO INTERCHANGE (GE M102345) 230/115/13.2KV TRANSFORMER CKT 1
15WP	06ALL	2	TO->FROM	G15_032_230_6	KRESS INTERCHANGE - SWISHER COUNTY INTERCHANGE 115KV CKT 1	234.4	0.01715	115.6775	TUCO INTERCHANGE (GE M102345) 230/115/13.2KV TRANSFORMER CKT 1
20SP	06ALL	2	TO->FROM	G15_032_230_6	KRESS INTERCHANGE - SWISHER COUNTY INTERCHANGE 115KV CKT 1	234.4	0.01715	115.6775	TUCO INTERCHANGE (GE M102345) 230/115/13.2KV TRANSFORMER CKT 1
15SP	06ALL	2	TO->FROM	G15_032_230_6	KRESS INTERCHANGE - SWISHER COUNTY INTERCHANGE 115KV CKT 1	234.4	0.01633	115.512	SPP-SWPS-25
15SP	06ALL	2	TO->FROM	G15_032_230_6	KRESS INTERCHANGE - SWISHER COUNTY INTERCHANGE 115KV CKT 1	234.4	0.01633	115.512	SPP-SWPS-T28
15WP	06ALL	2	TO->FROM	G15_032_230_6	KRESS INTERCHANGE - SWISHER COUNTY INTERCHANGE 115KV CKT 1	234.4	0.01633	115.512	SPP-SWPS-25
15WP	06ALL	2	TO->FROM	G15_032_230_6	KRESS INTERCHANGE - SWISHER COUNTY INTERCHANGE 115KV CKT 1	234.4	0.01633	115.512	SPP-SWPS-T28
20SP	06ALL	2	TO->FROM	G15_032_230_6	KRESS INTERCHANGE - SWISHER COUNTY INTERCHANGE 115KV CKT 1	234.4	0.01633	115.512	SPP-SWPS-25
20SP	06ALL	2	TO->FROM	G15_032_230_6	KRESS INTERCHANGE - SWISHER COUNTY INTERCHANGE 115KV CKT 1	234.4	0.01633	115.512	SPP-SWPS-T28
15G	06ALL	2	TO->FROM	G15_032_230_6	KRESS INTERCHANGE - SWISHER COUNTY INTERCHANGE 115KV CKT 1	237.4	0.02357	115.2957	SWISHER COUNTY INTERCHANGE (UPDATE LATER) 230/115/13.2KV TRANSFORMER CKT 1
15G	06ALL	2	TO->FROM	G15_032_230_6	KRESS INTERCHANGE - SWISHER COUNTY INTERCHANGE 115KV CKT 1	237.4	0.02357	115.2115	SWISHER COUNTY INTERCHANGE (SWISHER2) 230/115/13.2KV TRANSFORMER CKT 1
15SP	06ALL	2	TO->FROM	G15_032_230_6	KRESS INTERCHANGE - SWISHER COUNTY INTERCHANGE 115KV CKT 1	234.4	0.05171	114.9121	KRESS INTERCHANGE - NEWHART 115KV CKT 1
15WP	06ALL	2	TO->FROM	G15_032_230_6	KRESS INTERCHANGE - SWISHER COUNTY INTERCHANGE 115KV CKT 1	234.4	0.05171	114.9121	KRESS INTERCHANGE - NEWHART 115KV CKT 1
20SP	06ALL	2	TO->FROM	G15_032_230_6	KRESS INTERCHANGE - SWISHER COUNTY INTERCHANGE 115KV CKT 1	234.4	0.05171	114.9121	KRESS INTERCHANGE - NEWHART 115KV CKT 1
15G	06ALL	2	TO->FROM	G15_032_230_6	KRESS INTERCHANGE - SWISHER COUNTY INTERCHANGE 115KV CKT 1	237.4	0.05696	114.535	AMARILLO SOUTH INTERCHANGE - SWISHER COUNTY INTERCHANGE 230KV CKT 1
15G	06ALL	2	TO->FROM	G15_032_230_6	KRESS INTERCHANGE - SWISHER COUNTY INTERCHANGE 115KV CKT 1	237.4	0.08165	109.6891	SWISHER COUNTY INTERCHANGE - TUCO_2 230.00 230KV CKT 1
15G	06ALL	2	TO->FROM	G15_032_230_6	KRESS INTERCHANGE - SWISHER COUNTY INTERCHANGE 115KV CKT 1	216.3	0.03039	108.1951	BASE CASE
15G	06ALL	2	TO->FROM	G15_032_230_6	KRESS INTERCHANGE - SWISHER COUNTY INTERCHANGE 115KV CKT 1	237.4	0.07926	104.7136	NEWHART 230 (WAIK WT01105) 230/115/13.2KV TRANSFORMER CKT 1
15G	06ALL	2	TO->FROM	G15_032_230_6	KRESS INTERCHANGE - SWISHER COUNTY INTERCHANGE 115KV CKT 1	237.4	0.04046	102.6782	NEWHART 230 - POTTER COUNTY INTERCHANGE 230KV CKT 1
15G	06ALL	2	TO->FROM	G15_032_230_6	KRESS INTERCHANGE - SWISHER COUNTY INTERCHANGE 115KV CKT 1	237.4	0.02907	102.2839	PLANT X STATION (WH ALM20171) 230/115/13.2KV TRANSFORMER CKT 1
15G	06ALL	2	TO->FROM	G15_032_230_6	KRESS INTERCHANGE - SWISHER COUNTY INTERCHANGE 115KV CKT 1	237.4	0.03039	101.9065	G11_025_2 34.500 34.5/0.69KV TRANSFORMER CKT 1
15G	06ALL	2	TO->FROM	G15_032_230_6	KRESS INTERCHANGE - SWISHER COUNTY INTERCHANGE 115KV CKT 1	237.4	0.03039	101.8644	G11_025_1 115.00 115/34.5KV TRANSFORMER CKT 1
15G	06ALL	2	TO->FROM	G15_032_230_6	KRESS INTERCHANGE - SWISHER COUNTY INTERCHANGE 115KV CKT 1	237.4	0.03039	101.8644	G11_025T 115.00 - G11_025_1 115.00 115KV CKT 1
15G	06ALL	2	TO->FROM	G15_032_230_6	KRESS INTERCHANGE - SWISHER COUNTY INTERCHANGE 115KV CKT 1	237.4	0.02938	101.6049	FLOYD COUNTY INTERCHANGE - G11_025T 115.00 115KV CKT 1
15G	06ALL	2	TO->FROM	G15_032_230_6	KRESS INTERCHANGE - SWISHER COUNTY INTERCHANGE 115KV CKT 1	237.4	0.03039	100.4322	CASTRO COUNTY INTERCHANGE - G14_040_1 115.00 115KV CKT 1
15G	06ALL	2	TO->FROM	G15_032_230_6	KRESS INTERCHANGE - SWISHER COUNTY INTERCHANGE 115KV CKT 1	237.4	0.03039	100.4322	G14_040_2 34.500 34.5/0.69KV TRANSFORMER CKT 1
15G	06ALL	2	TO->FROM	G15_032_230_6	KRESS INTERCHANGE - SWISHER COUNTY INTERCHANGE 115KV CKT 1	237.4	0.03178	100.2241	TUCO_2 345.00 (TUCO_2 XFMR) 345/230/13.2KV TRANSFORMER CKT 1
15G	06ALL	2	TO->FROM	G15_032_230_6	KRESS INTERCHANGE - SWISHER COUNTY INTERCHANGE 115KV CKT 1	237.4	0.03039	100.1373	G08-22 34.500 34.5/0.69KV TRANSFORMER CKT 1
15G	06ALL	2	TO->FROM	G15_032_230_6	KRESS INTERCHANGE - SWISHER COUNTY INTERCHANGE 115KV CKT 1	237.4	0.03039	100.0952	CROSSROADS 345.00 - G08-22 345.00 345KV CKT 1
15G	06ALL	2	TO->FROM	G15_032_230_6	KRESS INTERCHANGE - SWISHER COUNTY INTERCHANGE 115KV CKT 1	237.4	0.03039	100.0952	G08-22 345.00 345/34.5KV TRANSFORMER CKT 1
15G	06ALL	2	TO->FROM	G15_032_230_6	KRESS INTERCHANGE - SWISHER COUNTY INTERCHANGE 115KV CKT 1	237.4	0.03039	100.0952	G15_010_1 230.00 230/34.5KV TRANSFORMER CKT 1
15G	06ALL	2	TO->FROM	G15_032_230_6	KRESS INTERCHANGE - SWISHER COUNTY INTERCHANGE 115KV CKT 1	237.4	0.03039	100.0952	G15_010_2 34.500 34.5/0.69KV TRANSFORMER CKT 1
15G	06ALL	2	TO->FROM	G15_032_230_6	KRESS INTERCHANGE - SWISHER COUNTY INTERCHANGE 115KV CKT 1	237.4	0.03039	100.0952	G15-010T 230.00 - G15_010_1 230.00 230KV CKT 1
25SP	00NR	2	TO->FROM	G15_032_230_6	LUBBOCK POWER & LIGHT-CO-OP - LUBBOCK POWER & LIGHT-SLATON 69KV CKT 1	53.5	0.00697	154.3757	LUBBOCK POWER & LIGHT-CO-OP - LUBBOCK POWER & LIGHT-WADSWORTH 69KV CKT 1

SEASON	GROUP	SCENARIO	DIRECTION	SOURCE	MONITORED ELEMENT	RATE (MVA)	TDF	CONTINGENCY	
								LOADING %	CONTINGENCY
15WP	06ALL		3 FROM->TO	G15_032_230_6	ELK CITY 230KV (ELKCTY-6) 230/138/13.8KV TRANSFORMER CKT 1	449.3	0.08631	103.0826	G14-074T 345.00 - OKLAUNION 345KV CKT 1
20SP	06ALL		3 FROM->TO	G15_032_230_6	ELK CITY 230KV (ELKCTY-6) 230/138/13.8KV TRANSFORMER CKT 1	449.3	0.08631	103.0826	G14-074T 345.00 - OKLAUNION 345KV CKT 1
15SP	06ALL		3 FROM->TO	G15_032_230_6	ELK CITY 230KV (ELKCTY-6) 230/138/13.8KV TRANSFORMER CKT 1	446.4	0.0925	101.8154	CHISHOLM7 345.00 - WOODWARD DISTRICT EHV 345KV CKT 1
15WP	06ALL		3 FROM->TO	G15_032_230_6	ELK CITY 230KV (ELKCTY-6) 230/138/13.8KV TRANSFORMER CKT 1	446.4	0.0925	101.8154	CHISHOLM7 345.00 - WOODWARD DISTRICT EHV 345KV CKT 1
20SP	06ALL		3 FROM->TO	G15_032_230_6	ELK CITY 230KV (ELKCTY-6) 230/138/13.8KV TRANSFORMER CKT 1	446.4	0.0925	101.8154	CHISHOLM7 345.00 - WOODWARD DISTRICT EHV 345KV CKT 1
15SP	06ALL		3 FROM->TO	G15_032_230_6	ELK CITY 230KV (ELKCTY-6) 230/138/13.8KV TRANSFORMER CKT 1	449.3	0.0925	101.2473	CHISHOLM7 345.00 - WOODWARD DISTRICT EHV 345KV CKT 1
15WP	06ALL		3 FROM->TO	G15_032_230_6	ELK CITY 230KV (ELKCTY-6) 230/138/13.8KV TRANSFORMER CKT 1	449.3	0.0925	101.2473	CHISHOLM7 345.00 - WOODWARD DISTRICT EHV 345KV CKT 1
20SP	06ALL		3 FROM->TO	G15_032_230_6	ELK CITY 230KV (ELKCTY-6) 230/138/13.8KV TRANSFORMER CKT 1	449.3	0.0925	101.2473	CHISHOLM7 345.00 - WOODWARD DISTRICT EHV 345KV CKT 1
15SP	06ALL		3 FROM->TO	G15_032_230_6	ELK CITY 230KV (ELKCTY-6) 230/138/13.8KV TRANSFORMER CKT 1	446.4	0.08631	100.1904	G14-074T 345.00 - TUCO INTERCHANGE 345KV CKT 1
15WP	06ALL		3 FROM->TO	G15_032_230_6	ELK CITY 230KV (ELKCTY-6) 230/138/13.8KV TRANSFORMER CKT 1	446.4	0.08631	100.1904	G14-074T 345.00 - TUCO INTERCHANGE 345KV CKT 1
20SP	06ALL		3 FROM->TO	G15_032_230_6	ELK CITY 230KV (ELKCTY-6) 230/138/13.8KV TRANSFORMER CKT 1	446.4	0.08631	100.1904	G14-074T 345.00 - TUCO INTERCHANGE 345KV CKT 1
15G	06ALL		3 FROM->TO	G15_032_230_6	FPL SWITCH - MOORELAND 138KV CKT 1	284.1	0.04613	119.0891	DBL-THIS-WWRD
15G	06ALL		3 FROM->TO	G15_032_230_6	FPL SWITCH - MOORELAND 138KV CKT 1	284.1	0.03779	111.6107	NORTHWEST - TATONGA7 345.00 345KV CKT 1
15G	06ALL		3 FROM->TO	G15_032_230_6	FPL SWITCH - MOORELAND 138KV CKT 1	284.1	0.03779	110.0619	SPSCont-04
15G	06ALL		3 FROM->TO	G15_032_230_6	FPL SWITCH - MOORELAND 138KV CKT 1	284.1	0.03779	109.8156	SPSCont-05b
15G	06ALL		3 FROM->TO	G15_032_230_6	FPL SWITCH - MOORELAND 138KV CKT 1	284.1	0.03736	108.3069	CHISHOLM6 230.00 - ELK CITY 230KV 230KV CKT 1
15G	06ALL		3 FROM->TO	G15_032_230_6	FPL SWITCH - MOORELAND 138KV CKT 1	284.1	0.03736	108.3069	ELK CITY 230KV (ELKCTY-6) 230/138/13.8KV TRANSFORMER CKT 1
15G	06ALL		3 FROM->TO	G15_032_230_6	FPL SWITCH - MOORELAND 138KV CKT 1	284.1	0.03779	104.6061	G11_051T 345.00 - TATONGA7 345.00 345KV CKT 1
15G	06ALL		3 FROM->TO	G15_032_230_6	FPL SWITCH - MOORELAND 138KV CKT 1	284.1	0.03779	103.8317	G11_051T 345.00 - WOODWARD DISTRICT EHV 345KV CKT 1
15G	06ALL		3 FROM->TO	G15_032_230_6	FPL SWITCH - MOORELAND 138KV CKT 1	284.1	0.03779	102.1422	SPSCont-05ax
15G	06ALL		3 TO->FROM	G15_032_230_6	FPL SWITCH - WOODWARD 138KV CKT 1	285.1	0.04613	112.2876	DBL-THIS-WWRD
15G	06ALL		3 TO->FROM	G15_032_230_6	FPL SWITCH - WOODWARD 138KV CKT 1	285.1	0.03779	104.8706	NORTHWEST - TATONGA7 345.00 345KV CKT 1
15G	06ALL		3 TO->FROM	G15_032_230_6	FPL SWITCH - WOODWARD 138KV CKT 1	285.1	0.03779	103.3272	SPSCont-04
15G	06ALL		3 TO->FROM	G15_032_230_6	FPL SWITCH - WOODWARD 138KV CKT 1	285.1	0.03779	103.0817	SPSCont-05b
15G	06ALL		3 TO->FROM	G15_032_230_6	FPL SWITCH - WOODWARD 138KV CKT 1	285.1	0.03736	101.5784	CHISHOLM6 230.00 - ELK CITY 230KV 230KV CKT 1
15G	06ALL		3 TO->FROM	G15_032_230_6	FPL SWITCH - WOODWARD 138KV CKT 1	285.1	0.03736	101.5784	ELK CITY 230KV (ELKCTY-6) 230/138/13.8KV TRANSFORMER CKT 1
15SP	06ALL		3 FROM->TO	G15_032_230_6	PRINGLE INTERCHANGE - SPEARMAN INTERCHANGE 115KV CKT 1	159.7	0.03567	103.4765	PRINGLE INTERCHANGE - SPEARMAN INTERCHANGE 115KV CKT 2
15WP	06ALL		3 FROM->TO	G15_032_230_6	PRINGLE INTERCHANGE - SPEARMAN INTERCHANGE 115KV CKT 1	159.7	0.03567	103.4765	PRINGLE INTERCHANGE - SPEARMAN INTERCHANGE 115KV CKT 2
20SP	06ALL		3 FROM->TO	G15_032_230_6	PRINGLE INTERCHANGE - SPEARMAN INTERCHANGE 115KV CKT 1	159.7	0.03567	103.4765	PRINGLE INTERCHANGE - SPEARMAN INTERCHANGE 115KV CKT 2
15G	06ALL		3 FROM->TO	G15_032_230_6	PRINGLE INTERCHANGE - SPEARMAN INTERCHANGE 115KV CKT 1	158.4	0.03441	102.1995	PRINGLE INTERCHANGE - SPEARMAN INTERCHANGE 115KV CKT 2
15G	06ALL		3 FROM->TO	G15_032_230_6	TUCO INTERCHANGE (GE M1022338) 345/230/13.2KV TRANSFORMER CKT 1	555.2	0.14873	102.2475	TUCO INTERCHANGE (SIEM 8743066) 345/230/13.2KV TRANSFORMER CKT 2
15G	06ALL		3 FROM->TO	G15_032_230_6	TUCO INTERCHANGE (GE M1022338) 345/230/13.2KV TRANSFORMER CKT 1	557.4	0.14873	101.7722	TUCO INTERCHANGE (SIEM 8743066) 345/230/13.2KV TRANSFORMER CKT 2

SEASON	GROUP	SCENARIO	DIRECTION	SOURCE	MONITORED ELEMENT	RATE (MVA)	TDF	CONTINGENCY LOADING %	CONTINGENCY
20SP	06ALL	0	FROM->TO	G15_031_115	ANADARKO - CORN TAP 138KV CKT 1	142.8	0.01495	100.2171	CIMARRON - MINCO 345KV CKT 1
15G	06ALL	0	TO->FROM	G15_031_115	ANADARKO - GRACMNT4 138.00 138KV CKT 1	225.1	0.05424	127.6597	CIMARRON - MINCO 345KV CKT 1
15G	06ALL	0	TO->FROM	G15_031_115	ANADARKO - GRACMNT4 138.00 138KV CKT 1	225.1	0.05424	119.4856	GRACEMONT - MINCO 345KV CKT 1
15G	06ALL	0	TO->FROM	G15_031_115	ANADARKO - GRACMNT4 138.00 138KV CKT 1	225.1	0.03061	106.9613	SOUTHWESTERN STATION - WASHITA 138KV CKT 1
15SP	06ALL	0	FROM->TO	G15_031_115	BENTLEY4 138.00 - HALSTEAD SOUTH BUS 138KV CKT 1	142.2	0.00699	108.2771	RENO COUNTY - WICHITA 345KV CKT 1
20WP	06ALL	0	FROM->TO	G15_031_115	CLEARWATER - GILL ENERGY CENTER WEST 138KV CKT 1	142.9	0.01155	119.4794	GILL ENERGY CENTER SOUTH - VIOLA 4 138.00 138KV CKT 1
20SP	06ALL	0	FROM->TO	G15_031_115	CLEARWATER - GILL ENERGY CENTER WEST 138KV CKT 1	142.2	0.01389	102.4191	GILL ENERGY CENTER SOUTH - VIOLA 4 138.00 138KV CKT 1
15SP	06ALL	0	TO->FROM	G15_031_115	CLINTON CITY - FOSS TAP 69KV CKT 1	74.5	0.00792	103.4416	CLINTON JUNCTION - CLINTON NATURAL GAS TAP 138KV CKT 1
15SP	06ALL	0	FROM->TO	G15_031_115	CLINTON CITY - THOMAS TAP 69KV CKT 1	38.9	0.00792	125.6144	CLINTON JUNCTION - CLINTON NATURAL GAS TAP 138KV CKT 1
20SP	06ALL	0	FROM->TO	G15_031_115	CLINTON CITY - THOMAS TAP 69KV CKT 1	39	0.00756	102.9436	CLINTON JUNCTION - CLINTON NATURAL GAS TAP 138KV CKT 1
15G	06ALL	0	FROM->TO	G15_031_115	CLINTON CITY - THOMAS TAP 69KV CKT 1	47.9	0.0077	101.1106	CLINTON JUNCTION - CLINTON NATURAL GAS TAP 138KV CKT 1
15SP	06ALL	0	TO->FROM	G15_031_115	CLINTON JUNCTION - ELK CITY 138KV CKT 1	148.8	0.04254	140.6331	CHISHOLM7 345.00 - GRACEMONT 345KV CKT 1
15G	06ALL	0	TO->FROM	G15_031_115	CLINTON JUNCTION - ELK CITY 138KV CKT 1	185.1	0.04112	124.094	CHISHOLM7 345.00 - GRACEMONT 345KV CKT 1
15SP	06ALL	0	TO->FROM	G15_031_115	CLINTON JUNCTION - ELK CITY 138KV CKT 1	148.8	0.03623	122.871	G14-074T 345.00 - OKLAUNION 345KV CKT 1
15SP	06ALL	0	TO->FROM	G15_031_115	CLINTON JUNCTION - ELK CITY 138KV CKT 1	148.8	0.02203	120.3481	ONEY - WASHITA 138KV CKT 1
15SP	06ALL	0	TO->FROM	G15_031_115	CLINTON JUNCTION - ELK CITY 138KV CKT 1	148.8	0.03623	118.8387	G14-074T 345.00 - TUCO INTERCHANGE 345KV CKT 1
15SP	06ALL	0	TO->FROM	G15_031_115	CLINTON JUNCTION - ELK CITY 138KV CKT 1	148.8	0.03246	118.0914	NORTHWEST - TATONGA7 345.00 345KV CKT 1
15SP	06ALL	0	TO->FROM	G15_031_115	CLINTON JUNCTION - ELK CITY 138KV CKT 1	148.8	0.02203	117.7943	BINGER NIUECT - ONEY 138KV CKT 1
15SP	06ALL	0	TO->FROM	G15_031_115	CLINTON JUNCTION - ELK CITY 138KV CKT 1	148.8	0.03246	117.621	SPSCont-05b
15SP	06ALL	0	TO->FROM	G15_031_115	CLINTON JUNCTION - ELK CITY 138KV CKT 1	148.8	0.03246	117.2177	SPSCont-04
15SP	06ALL	0	TO->FROM	G15_031_115	CLINTON JUNCTION - ELK CITY 138KV CKT 1	148.8	0.03306	117.0444	DBL-THIS-WWRD
15SP	06ALL	0	TO->FROM	G15_031_115	CLINTON JUNCTION - ELK CITY 138KV CKT 1	132.4	0.02859	116.148	BASE CASE
15SP	06ALL	0	TO->FROM	G15_031_115	CLINTON JUNCTION - ELK CITY 138KV CKT 1	148.8	0.03244	115.5927	CLINTON AIR FORCE BASE TAP - ELK CITY 138KV CKT 1
15SP	06ALL	0	TO->FROM	G15_031_115	CLINTON JUNCTION - ELK CITY 138KV CKT 1	148.8	0.03552	115.371	CHISHOLM7 345.00 - WOODWARD DISTRICT EHV 345KV CKT 1
15SP	06ALL	0	TO->FROM	G15_031_115	CLINTON JUNCTION - ELK CITY 138KV CKT 1	148.8	0.03244	114.7191	CLINTON AIR FORCE BASE TAP - HOBART JUNCTION 138KV CKT 1
15SP	06ALL	0	TO->FROM	G15_031_115	CLINTON JUNCTION - ELK CITY 138KV CKT 1	148.8	0.02203	113.6277	BINGER NIUECT - SICKLES 138KV CKT 1
15SP	06ALL	0	TO->FROM	G15_031_115	CLINTON JUNCTION - ELK CITY 138KV CKT 1	148.8	0.03246	113.5215	G11_051T 345.00 - TATONGA7 345.00 345KV CKT 1
15SP	06ALL	0	TO->FROM	G15_031_115	CLINTON JUNCTION - ELK CITY 138KV CKT 1	148.8	0.02203	113.0228	CLINTON JUNCTION - G07-32T 138.00 138KV CKT 1
15SP	06ALL	0	TO->FROM	G15_031_115	CLINTON JUNCTION - ELK CITY 138KV CKT 1	148.8	0.02859	112.8898	G07-32 138.00 - G07-32T 138.00 138KV CKT 1
15SP	06ALL	0	TO->FROM	G15_031_115	CLINTON JUNCTION - ELK CITY 138KV CKT 1	148.8	0.02859	112.8898	G07-32 138.00 138/34.5KV TRANSFORMER CKT 1
15SP	06ALL	0	TO->FROM	G15_031_115	CLINTON JUNCTION - ELK CITY 138KV CKT 1	148.8	0.02859	112.8898	G07-32 34.500 34.5/12.0KV TRANSFORMER CKT 1
15SP	06ALL	0	TO->FROM	G15_031_115	CLINTON JUNCTION - ELK CITY 138KV CKT 1	148.8	0.02859	111.4785	WASHITA - WEATHERFORD WIND FARM 34 KV 34.5KV CKT 1
15WP	06ALL	0	TO->FROM	G15_031_115	CLINTON JUNCTION - ELK CITY 138KV CKT 1	186.8	0.04347	111.1991	CHISHOLM7 345.00 - GRACEMONT 345KV CKT 1
20SP	06ALL	0	TO->FROM	G15_031_115	CLINTON JUNCTION - ELK CITY 138KV CKT 1	151.1	0.0422	109.4322	CHISHOLM7 345.00 - GRACEMONT 345KV CKT 1
20SP	06ALL	0	TO->FROM	G15_031_115	CLINTON JUNCTION - ELK CITY 138KV CKT 1	151.1	0.02193	106.4937	ONEY - WASHITA 138KV CKT 1
15G	06ALL	0	TO->FROM	G15_031_115	CLINTON JUNCTION - ELK CITY 138KV CKT 1	185.1	0.03495	105.8087	G14-074T 345.00 - OKLAUNION 345KV CKT 1
20SP	06ALL	0	TO->FROM	G15_031_115	CLINTON JUNCTION - ELK CITY 138KV CKT 1	151.1	0.02193	103.9126	BINGER NIUECT - ONEY 138KV CKT 1
20WP	06ALL	0	TO->FROM	G15_031_115	CLINTON JUNCTION - ELK CITY 138KV CKT 1	187.5	0.04163	102.7755	CHISHOLM7 345.00 - GRACEMONT 345KV CKT 1
15G	06ALL	0	TO->FROM	G15_031_115	CLINTON JUNCTION - ELK CITY 138KV CKT 1	185.1	0.03495	102.6753	G14-074T 345.00 - TUCO INTERCHANGE 345KV CKT 1
15G	06ALL	0	TO->FROM	G15_031_115	CLINTON JUNCTION - ELK CITY 138KV CKT 1	185.1	0.0314	102.3652	NORTHWEST - TATONGA7 345.00 345KV CKT 1
15G	06ALL	0	TO->FROM	G15_031_115	CLINTON JUNCTION - ELK CITY 138KV CKT 1	185.1	0.0314	101.987	SPSCont-05b
15G	06ALL	0	TO->FROM	G15_031_115	CLINTON JUNCTION - ELK CITY 138KV CKT 1	185.1	0.0314	101.6629	SPSCont-04
15G	06ALL	0	TO->FROM	G15_031_115	CLINTON JUNCTION - ELK CITY 138KV CKT 1	185.1	0.03123	101.5505	CLINTON AIR FORCE BASE TAP - ELK CITY 138KV CKT 1
15G	06ALL	0	TO->FROM	G15_031_115	CLINTON JUNCTION - ELK CITY 138KV CKT 1	185.1	0.03123	100.9562	CLINTON AIR FORCE BASE TAP - HOBART JUNCTION 138KV CKT 1
15G	06ALL	0	TO->FROM	G15_031_115	CLINTON JUNCTION - ELK CITY 138KV CKT 1	185.1	0.0344	100.2604	CHISHOLM7 345.00 - WOODWARD DISTRICT EHV 345KV CKT 1
15G	06ALL	0	TO->FROM	G15_031_115	CLINTON JUNCTION - ELK CITY 138KV CKT 1	185.1	0.03186	100.0194	DBL-THIS-WWRD
15SP	06ALL	0	FROM->TO	G15_031_115	CLINTON JUNCTION - FOSS TAP 69KV CKT 1	74.7	0.00792	104.3695	CLINTON JUNCTION - CLINTON NATURAL GAS TAP 138KV CKT 1
15SP	06ALL	0	TO->FROM	G15_031_115	COMANCHE TAP - TOSCO 69KV CKT 1	39	0.00577	103.882	G14-057T 345.00 - SUNNYSIDE 345KV CKT 1
15SP	06ALL	0	TO->FROM	G15_031_115	COMANCHE TAP - TOSCO 69KV CKT 1	39	0.00577	101.0615	G14-057T 345.00 - LAWTON EASTSIDE 345KV CKT 1
20WP	06ALL	0	FROM->TO	G15_031_115	CORN TAP - PAYNE 138.00 138KV CKT 1	141.6	0.01807	111.1991	G14-057T 345.00 - SUNNYSIDE 345KV CKT 1
20WP	06ALL	0	FROM->TO	G15_031_115	CORN TAP - PAYNE 138.00 138KV CKT 1	141.6	0.01807	109.4336	G14-057T 345.00 - LAWTON EASTSIDE 345KV CKT 1
15WP	06ALL	0	FROM->TO	G15_031_115	CORN TAP - PAYNE 138.00 138KV CKT 1	141.4	0.01874	109.0948	G14-057T 345.00 - SUNNYSIDE 345KV CKT 1
20WP	06ALL	0	FROM->TO	G15_031_115	CORN TAP - PAYNE 138.00 138KV CKT 1	141.6	0.01836	107.5127	CIMARRON - MINCO 345KV CKT 1
15WP	06ALL	0	FROM->TO	G15_031_115	CORN TAP - PAYNE 138.00 138KV CKT 1	141.4	0.01874	107.3975	G14-057T 345.00 - LAWTON EASTSIDE 345KV CKT 1
20WP	06ALL	0	FROM->TO	G15_031_115	CORN TAP - PAYNE 138.00 138KV CKT 1	141.6	0.01432	105.822	ANADARKO - BLANCHARD 138KV CKT 1
20WP	06ALL	0	FROM->TO	G15_031_115	CORN TAP - PAYNE 138.00 138KV CKT 1	141.6	0.01836	104.476	GRACEMONT - MINCO 345KV CKT 1
20WP	06ALL	0	FROM->TO	G15_031_115	CORN TAP - PAYNE 138.00 138KV CKT 1	141.6	0.01432	103.8446	BLANCHARD - OUSW4 138KV CKT 1
15WP	06ALL	0	FROM->TO	G15_031_115	CORN TAP - PAYNE 138.00 138KV CKT 1	141.4	0.01916	102.0594	CIMARRON - MINCO 345KV CKT 1
15WP	06ALL	0	FROM->TO	G15_031_115	CORN TAP - PAYNE 138.00 138KV CKT 1	141.4	0.01492	100.6351	ANADARKO - BLANCHARD 138KV CKT 1
15SP	06ALL	0	FROM->TO	G15_031_115	DUNCAN - TOSCO 69KV CKT 1	38.9	0.00577	108.2622	G14-057T 345.00 - SUNNYSIDE 345KV CKT 1
15SP	06ALL	0	FROM->TO	G15_031_115	DUNCAN - TOSCO 69KV CKT 1	38.9	0.00577	105.6915	G14-057T 345.00 - LAWTON EASTSIDE 345KV CKT 1
15WP	06ALL	0	FROM->TO	G15_031_115	DUNCAN - TOSCO 69KV CKT 1	47.8	0.00597	100.908	G14-057T 345.00 - SUNNYSIDE 345KV CKT 1
20WP	06ALL	0	FROM->TO	G15_031_115	DUNCAN - TOSCO 69KV CKT 1	47.9	0.0056	100.8601	G14-057T 345.00 - SUNNYSIDE 345KV CKT 1
15SP	06ALL	0	TO->FROM	G15_031_115	EARLSBORO 4138.00 - MAUD 138KV CKT 1	97.7	0.00726	106.0778	MAUD (MAUD1) 138/69/13.2KV TRANSFORMER CKT 1

SEASON	GROUP	SCENARIO	DIRECTION	SOURCE	MONITORED ELEMENT	RATE (MVA)	TDF	CONTINGENCY LOADING %	CONTINGENCY
15SP	06ALL	0	TO->FROM	G15_031_115	EARLSBORO 4138.00 - MAUD 138KV CKT 1	97.7	0.00706	101.042	CANADIAN RIVER - MCALESTER SOUTH 138KV CKT 1
15SP	06ALL	0	TO->FROM	G15_031_115	EARLSBORO 4138.00 - MAUD 138KV CKT 1	97.7	0.00697	101.042	G14-074T 345.00 - OKLAUNION 345KV CKT 1
25SP	06ALL	0	FROM->TO	G15_031_115	EDDY_NORTH 6230.00 (WAUK W01134) 230/115/13.2KV TRANSFORMER CKT 2	285	0.00585	104.5333	EDDY COUNTY INTERCHANGE - EDDY_NORTH 6230.00 230KV CKT @1
25SP	06ALL	0	FROM->TO	G15_031_115	EDDY_NORTH 6230.00 (WAUK W01134) 230/115/13.2KV TRANSFORMER CKT 1	286.3	0.00585	103.9888	EDDY COUNTY INTERCHANGE - EDDY_NORTH 6230.00 230KV CKT @1
15G	06ALL	0	FROM->TO	G15_031_115	ELDORADO - ELDORADO ICT 69KV CKT 1	26.9	0.00815	101.5316	LAKE PAULINE - RUSSELL 138KV CKT 1
15G	06ALL	0	FROM->TO	G15_031_115	ELK CITY 230KV (ELKCTY-6) 230/138/13.8KV TRANSFORMER CKT 1	446.9	0.0958	117.0893	CHISHOLM7 345.00 - GRACEMONT 345KV CKT 1
15SP	06ALL	0	FROM->TO	G15_031_115	ELK CITY 230KV (ELKCTY-6) 230/138/13.8KV TRANSFORMER CKT 1	446.4	0.10135	117.0798	CHISHOLM7 345.00 - GRACEMONT 345KV CKT 1
15G	06ALL	0	FROM->TO	G15_031_115	ELK CITY 230KV (ELKCTY-6) 230/138/13.8KV TRANSFORMER CKT 1	449.3	0.0958	116.5529	CHISHOLM7 345.00 - GRACEMONT 345KV CKT 1
15SP	06ALL	0	FROM->TO	G15_031_115	ELK CITY 230KV (ELKCTY-6) 230/138/13.8KV TRANSFORMER CKT 1	449.3	0.10135	116.4353	CHISHOLM7 345.00 - GRACEMONT 345KV CKT 1
15WP	06ALL	0	FROM->TO	G15_031_115	ELK CITY 230KV (ELKCTY-6) 230/138/13.8KV TRANSFORMER CKT 1	447.2	0.10418	112.4857	CHISHOLM7 345.00 - GRACEMONT 345KV CKT 1
15WP	06ALL	0	FROM->TO	G15_031_115	ELK CITY 230KV (ELKCTY-6) 230/138/13.8KV TRANSFORMER CKT 1	449.3	0.10418	112.049	CHISHOLM7 345.00 - GRACEMONT 345KV CKT 1
20WP	06ALL	0	FROM->TO	G15_031_115	ELK CITY 230KV (ELKCTY-6) 230/138/13.8KV TRANSFORMER CKT 1	448.3	0.10007	106.8178	CHISHOLM7 345.00 - GRACEMONT 345KV CKT 1
20WP	06ALL	0	FROM->TO	G15_031_115	ELK CITY 230KV (ELKCTY-6) 230/138/13.8KV TRANSFORMER CKT 1	449.7	0.10007	106.5519	CHISHOLM7 345.00 - GRACEMONT 345KV CKT 1
15SP	06ALL	0	FROM->TO	G15_031_115	ELK CITY 230KV (ELKCTY-6) 230/138/13.8KV TRANSFORMER CKT 1	446.4	0.08716	103.6644	G14-074T 345.00 - OKLAUNION 345KV CKT 1
15SP	06ALL	0	FROM->TO	G15_031_115	ELK CITY 230KV (ELKCTY-6) 230/138/13.8KV TRANSFORMER CKT 1	449.3	0.08716	103.1066	G14-074T 345.00 - OKLAUNION 345KV CKT 1
15SP	06ALL	0	FROM->TO	G15_031_115	ELK CITY 230KV (ELKCTY-6) 230/138/13.8KV TRANSFORMER CKT 1	446.4	0.09317	101.849	CHISHOLM7 345.00 - WOODWARD DISTRICT EHV 345KV CKT 1
15SP	06ALL	0	FROM->TO	G15_031_115	ELK CITY 230KV (ELKCTY-6) 230/138/13.8KV TRANSFORMER CKT 1	449.3	0.09317	101.2807	CHISHOLM7 345.00 - WOODWARD DISTRICT EHV 345KV CKT 1
15SP	06ALL	0	FROM->TO	G15_031_115	ELK CITY 230KV (ELKCTY-6) 230/138/13.8KV TRANSFORMER CKT 1	446.4	0.08716	100.2146	G14-074T 345.00 - TUCO INTERCHANGE 345KV CKT 1
15G	06ALL	0	FROM->TO	G15_031_115	FPL SWITCH - MOORELAND 138KV CKT 1	284.1	0.04532	119.1137	DBL-THIS-WWRD
15G	06ALL	0	FROM->TO	G15_031_115	FPL SWITCH - MOORELAND 138KV CKT 1	284.1	0.03684	111.6353	NORTHWEST - TATONGA7 345.00 345KV CKT 1
15G	06ALL	0	FROM->TO	G15_031_115	FPL SWITCH - MOORELAND 138KV CKT 1	284.1	0.03684	110.0866	SPSCont-04
15G	06ALL	0	FROM->TO	G15_031_115	FPL SWITCH - MOORELAND 138KV CKT 1	284.1	0.03684	109.8402	SPSCont-05b
15G	06ALL	0	FROM->TO	G15_031_115	FPL SWITCH - MOORELAND 138KV CKT 1	284.1	0.03664	108.34	CHISHOLM6 230.00 - ELK CITY 230KV 230KV CKT 1
15G	06ALL	0	FROM->TO	G15_031_115	FPL SWITCH - MOORELAND 138KV CKT 1	284.1	0.03664	108.34	ELK CITY 230KV (ELKCTY-6) 230/138/13.8KV TRANSFORMER CKT 1
15G	06ALL	0	FROM->TO	G15_031_115	FPL SWITCH - MOORELAND 138KV CKT 1	284.1	0.03684	104.6308	G11_051T 345.00 - TATONGA7 345.00 345KV CKT 1
15G	06ALL	0	FROM->TO	G15_031_115	FPL SWITCH - MOORELAND 138KV CKT 1	284.1	0.03684	103.8564	G11_051T 345.00 - WOODWARD DISTRICT EHV 345KV CKT 1
15G	06ALL	0	FROM->TO	G15_031_115	FPL SWITCH - MOORELAND 138KV CKT 1	284.1	0.03684	102.1668	SPSCont-05ax
15G	06ALL	0	FROM->TO	G15_031_115	FPL SWITCH - MOORELAND 138KV CKT 1	284.1	0.02808	101.9894	WOODWARD (WOODWRD2) 138/69/13.2KV TRANSFORMER CKT 1
15G	06ALL	0	TO->FROM	G15_031_115	FPL SWITCH - WOODWARD 138KV CKT 1	285.2	0.04532	112.2728	DBL-THIS-WWRD
15G	06ALL	0	TO->FROM	G15_031_115	FPL SWITCH - WOODWARD 138KV CKT 1	285.2	0.03684	104.8583	NORTHWEST - TATONGA7 345.00 345KV CKT 1
15G	06ALL	0	TO->FROM	G15_031_115	FPL SWITCH - WOODWARD 138KV CKT 1	285.2	0.03684	103.3156	SPSCont-04
15G	06ALL	0	TO->FROM	G15_031_115	FPL SWITCH - WOODWARD 138KV CKT 1	285.2	0.03684	103.0701	SPSCont-05b
15G	06ALL	0	TO->FROM	G15_031_115	FPL SWITCH - WOODWARD 138KV CKT 1	285.2	0.03664	101.5757	CHISHOLM6 230.00 - ELK CITY 230KV 230KV CKT 1
15G	06ALL	0	TO->FROM	G15_031_115	FPL SWITCH - WOODWARD 138KV CKT 1	285.2	0.03664	101.5757	ELK CITY 230KV (ELKCTY-6) 230/138/13.8KV TRANSFORMER CKT 1
15SP	06ALL	0	TO->FROM	G15_031_115	GLASS MOUNTAIN - MOORELAND 138KV CKT 1	122.3	0.02056	109.2363	DBL-THIS-WWRD
20WP	06ALL	0	TO->FROM	G15_031_115	GLASS MOUNTAIN - MOORELAND 138KV CKT 1	122.3	0.02012	101.2477	DBL-THIS-WWRD
15WP	06ALL	0	TO->FROM	G15_031_115	GLASS MOUNTAIN - MOORELAND 138KV CKT 1	122.2	0.02106	100.7332	DBL-THIS-WWRD
15SP	06ALL	0	TO->FROM	G15_031_115	GLASS MOUNTAIN - MOORELAND 138KV CKT 1	122.3	0.0158	100.5184	MOORELAND - NOEL_SW 138.00 138KV CKT 1
15WP	06ALL	0	FROM->TO	G15_031_115	HALE CO INTERCHANGE - TUCO INTERCHANGE 115KV CKT 1	105.6	0.16429	105.4943	SWISHER COUNTY INTERCHANGE (UPDATE LATER) 230/115/13.2KV TRANSFORMER CKT 1
20WP	06ALL	0	FROM->TO	G15_031_115	HALE CO INTERCHANGE - TUCO INTERCHANGE 115KV CKT 1	105.7	0.16377	104.5431	SWISHER COUNTY INTERCHANGE (UPDATE LATER) 230/115/13.2KV TRANSFORMER CKT 1
15G	06ALL	0	FROM->TO	G15_031_115	HAPPY INTERCHANGE - PALO DURO SUB 115KV CKT 1	250.9	0	107.6923	KRESS INTERCHANGE - TULIA TAP 115KV CKT 1
15SP	06ALL	0	FROM->TO	G15_031_115	HAPPY INTERCHANGE - PALO DURO SUB 115KV CKT 1	250.8	0	101.0766	KRESS INTERCHANGE - TULIA TAP 115KV CKT 1
15WP	06ALL	0	FROM->TO	G15_031_115	HAPPY INTERCHANGE - PALO DURO SUB 115KV CKT 1	277.9	0	100.4678	KRESS INTERCHANGE - TULIA TAP 115KV CKT 1
20WP	06ALL	0	FROM->TO	G15_031_115	HAPPY INTERCHANGE - PALO DURO SUB 115KV CKT 1	278	0	100.0719	KRESS INTERCHANGE - TULIA TAP 115KV CKT 1
15G	06ALL	0	TO->FROM	G15_031_115	HAPPY INTERCHANGE - TULIA TAP 115KV CKT 1	251	0	117.7291	KRESS INTERCHANGE - TULIA TAP 115KV CKT 1
25SP	06ALL	0	TO->FROM	G15_031_115	HAPPY INTERCHANGE - TULIA TAP 115KV CKT 1	250.9	0	116.5803	KRESS INTERCHANGE - TULIA TAP 115KV CKT 1
20SP	06ALL	0	TO->FROM	G15_031_115	HAPPY INTERCHANGE - TULIA TAP 115KV CKT 1	250.9	0	116.381	KRESS INTERCHANGE - TULIA TAP 115KV CKT 1
15SP	06ALL	0	TO->FROM	G15_031_115	HAPPY INTERCHANGE - TULIA TAP 115KV CKT 1	251	0	116.1355	KRESS INTERCHANGE - TULIA TAP 115KV CKT 1
20WP	06ALL	0	TO->FROM	G15_031_115	HAPPY INTERCHANGE - TULIA TAP 115KV CKT 1	278	0	106.1871	KRESS INTERCHANGE - TULIA TAP 115KV CKT 1
15WP	06ALL	0	TO->FROM	G15_031_115	HAPPY INTERCHANGE - TULIA TAP 115KV CKT 1	278	0	106.1511	KRESS INTERCHANGE - TULIA TAP 115KV CKT 1
15G	06ALL	0	FROM->TO	G15_031_115	Harrington Station East Bus - POTTER COUNTY INTERCHANGE 230KV CKT 1	346.8	0.05049	116.2981	CHERRY1 - HARRINGTON STATION 230KV CKT 1
15G	06ALL	0	FROM->TO	G15_031_115	Harrington Station East Bus - POTTER COUNTY INTERCHANGE 230KV CKT 1	346.8	0.06008	114.2232	CHERRY1 - POTTER COUNTY INTERCHANGE 230KV CKT 1
15G	06ALL	0	TO->FROM	G15_031_115	HAYS PLANT - SOUTH HAYS 115KV CKT 1	98.9	0.00598	115.3873	KNOLL 230 - POSTROCK6 230.00 230KV CKT 1
15SP	06ALL	0	FROM->TO	G15_031_115	HAYS PLANT - VINE STREET 115KV CKT 1	88	0.00574	116.8955	KNOLL 230 - POSTROCK6 230.00 230KV CKT 1
15G	06ALL	0	FROM->TO	G15_031_115	HAYS PLANT - VINE STREET 115KV CKT 1	87.9	0.00598	105.9363	KNOLL 230 - POSTROCK6 230.00 230KV CKT 1
15SP	06ALL	0	FROM->TO	G15_031_115	JERICHO (JERIC2WT) 115/69/14.4KV TRANSFORMER CKT 1	45.6	0.00654	107	KIRBY SWITCHING STATION - MCCLELLAN SUB 115KV CKT 1
15SP	06ALL	0	FROM->TO	G15_031_115	JERICHO (JERIC2WT) 115/69/14.4KV TRANSFORMER CKT 1	45.9	0.00654	106.3007	KIRBY SWITCHING STATION - MCCLELLAN SUB 115KV CKT 1
15SP	06ALL	0	FROM->TO	G15_031_115	JERICHO (JERIC2WT) 115/69/14.4KV TRANSFORMER CKT 1	45.6	0.00654	105.6842	MCCLELLAN SUB - MCLEAN RURAL SUB 115KV CKT 1
15SP	06ALL	0	FROM->TO	G15_031_115	JERICHO (JERIC2WT) 115/69/14.4KV TRANSFORMER CKT 1	45.9	0.00654	104.9935	MCCLELLAN SUB - MCLEAN RURAL SUB 115KV CKT 1
15G	06ALL	0	FROM->TO	G15_031_115	JERICHO (JERIC2WT) 115/69/14.4KV TRANSFORMER CKT 1	45.7	0.0066	102.0569	KIRBY SWITCHING STATION - MCCLELLAN SUB 115KV CKT 1
15SP	06ALL	0	FROM->TO	G15_031_115	JERICHO (JERIC2WT) 115/69/14.4KV TRANSFORMER CKT 1	45.6	0.00654	101.9561	SPP-SWPS-T54
15G	06ALL	0	FROM->TO	G15_031_115	JERICHO (JERIC2WT) 115/69/14.4KV TRANSFORMER CKT 1	45.9	0.0066	101.6122	KIRBY SWITCHING STATION - MCCLELLAN SUB 115KV CKT 1

SEASON	GROUP	SCENARIO	DIRECTION	SOURCE	MONITORED ELEMENT	RATE (MVA)	TDF	CONTINGENCY LOADING %	CONTINGENCY
15SP	06ALL	0	FROM->TO	G15_031_115	JERICHO (JERIC2WT) 115/69/14.4KV TRANSFORMER CKT 1	45.9	0.00654	101.2898	SPP-SWPS-T54
15G	06ALL	0	FROM->TO	G15_031_115	JERICHO (JERIC2WT) 115/69/14.4KV TRANSFORMER CKT 1	45.7	0.0066	100.744	McCLELLAN SUB - MCLEAN RURAL SUB 115KV CKT 1
15SP	06ALL	0	FROM->TO	G15_031_115	JERICHO (JERIC2WT) 115/69/14.4KV TRANSFORMER CKT 1	45.6	0.00654	100.4211	MCLEAN RURAL SUB - SHAMROCK 115KV CKT 1
15SP	06ALL	0	FROM->TO	G15_031_115	JERICHO (JERIC2WT) 115/69/14.4KV TRANSFORMER CKT 1	45.6	0.00654	100.4211	SHAMROCK (SHAMRCK1) 115/69/14.4KV TRANSFORMER CKT 1
15G	06ALL	0	FROM->TO	G15_031_115	JERICHO (JERIC2WT) 115/69/14.4KV TRANSFORMER CKT 1	45.9	0.0066	100.305	McCLELLAN SUB - MCLEAN RURAL SUB 115KV CKT 1
15G	06ALL	0	TO->FROM	G15_031_115	KRESS INTERCHANGE - TULIA TAP 115KV CKT 1	250.9	0	117.776	HAPPY INTERCHANGE - TULIA TAP 115KV CKT 1
25SP	06ALL	0	TO->FROM	G15_031_115	KRESS INTERCHANGE - TULIA TAP 115KV CKT 1	250.8	0	116.6268	HAPPY INTERCHANGE - TULIA TAP 115KV CKT 1
20SP	06ALL	0	TO->FROM	G15_031_115	KRESS INTERCHANGE - TULIA TAP 115KV CKT 1	250.8	0	116.4274	HAPPY INTERCHANGE - TULIA TAP 115KV CKT 1
15SP	06ALL	0	TO->FROM	G15_031_115	KRESS INTERCHANGE - TULIA TAP 115KV CKT 1	250.9	0	116.1817	HAPPY INTERCHANGE - TULIA TAP 115KV CKT 1
15G	06ALL	0	TO->FROM	G15_031_115	KRESS INTERCHANGE - TULIA TAP 115KV CKT 1	250.9	0	107.6923	HAPPY INTERCHANGE - PALO DURO SUB 115KV CKT 1
15G	06ALL	0	TO->FROM	G15_031_115	KRESS INTERCHANGE - TULIA TAP 115KV CKT 1	250.9	0	107.6923	SPP-SWPS-T66
15G	06ALL	0	TO->FROM	G15_031_115	KRESS INTERCHANGE - TULIA TAP 115KV CKT 1	250.9	0	107.0945	PALO DURO SUB - RANDALL COUNTY INTERCHANGE 115KV CKT 1
20WP	06ALL	0	TO->FROM	G15_031_115	KRESS INTERCHANGE - TULIA TAP 115KV CKT 1	278	0	106.1871	HAPPY INTERCHANGE - TULIA TAP 115KV CKT 1
15WP	06ALL	0	TO->FROM	G15_031_115	KRESS INTERCHANGE - TULIA TAP 115KV CKT 1	278	0	106.1511	HAPPY INTERCHANGE - TULIA TAP 115KV CKT 1
15SP	06ALL	0	TO->FROM	G15_031_115	KRESS INTERCHANGE - TULIA TAP 115KV CKT 1	250.9	0	101.0363	HAPPY INTERCHANGE - PALO DURO SUB 115KV CKT 1
15SP	06ALL	0	TO->FROM	G15_031_115	KRESS INTERCHANGE - TULIA TAP 115KV CKT 1	250.9	0	101.0363	SPP-SWPS-T66
15WP	06ALL	0	TO->FROM	G15_031_115	KRESS INTERCHANGE - TULIA TAP 115KV CKT 1	278	0	100.4317	HAPPY INTERCHANGE - PALO DURO SUB 115KV CKT 1
15WP	06ALL	0	TO->FROM	G15_031_115	KRESS INTERCHANGE - TULIA TAP 115KV CKT 1	278	0	100.4317	SPP-SWPS-T66
15SP	06ALL	0	TO->FROM	G15_031_115	KRESS INTERCHANGE - TULIA TAP 115KV CKT 1	250.9	0	100.1594	PALO DURO SUB - RANDALL COUNTY INTERCHANGE 115KV CKT 1
20WP	06ALL	0	TO->FROM	G15_031_115	KRESS INTERCHANGE - TULIA TAP 115KV CKT 1	278	0	100.0719	HAPPY INTERCHANGE - PALO DURO SUB 115KV CKT 1
20WP	06ALL	0	TO->FROM	G15_031_115	KRESS INTERCHANGE - TULIA TAP 115KV CKT 1	278	0	100.0719	SPP-SWPS-T66
25SP	00NR	0	TO->FROM	G15_031_115	LUBBOCK POWER & LIGHT-CO-OP - LUBBOCK POWER & LIGHT-SLATON 69KV CKT 1	53.5	0.00709	154.443	LUBBOCK POWER & LIGHT-CO-OP - LUBBOCK POWER & LIGHT-WADSWORTH 69KV CKT 1
20SP	00NR	0	TO->FROM	G15_031_115	LUBBOCK POWER & LIGHT-CO-OP - LUBBOCK POWER & LIGHT-SLATON 69KV CKT 1	53.6	0.00985	138.3489	LUBBOCK POWER & LIGHT-CO-OP - LUBBOCK POWER & LIGHT-WADSWORTH 69KV CKT 1
15SP	00NR	0	TO->FROM	G15_031_115	LUBBOCK POWER & LIGHT-CO-OP - LUBBOCK POWER & LIGHT-SLATON 69KV CKT 1	53.9	0.00959	115.3562	LUBBOCK POWER & LIGHT-CO-OP - LUBBOCK POWER & LIGHT-WADSWORTH 69KV CKT 1
20WP	00NR	0	TO->FROM	G15_031_115	LUBBOCK POWER & LIGHT-CO-OP - LUBBOCK POWER & LIGHT-SLATON 69KV CKT 1	53.9	0.01605	105.5937	LUBBOCK POWER & LIGHT-CO-OP - LUBBOCK POWER & LIGHT-WADSWORTH 69KV CKT 1
25SP	00NR	0	TO->FROM	G15_031_115	LUBBOCK POWER & LIGHT-CO-OP - LUBBOCK POWER & LIGHT-WADSWORTH 69KV CKT 1	105.6	0.00721	126.8589	BASE CASE
25SP	00NR	0	TO->FROM	G15_031_115	LUBBOCK POWER & LIGHT-CO-OP - LUBBOCK POWER & LIGHT-WADSWORTH 69KV CKT 1	141.2	0.00872	125.5071	LUBBOCK POWER & LIGHT-SLATON - LUBBOCK POWER & LIGHT-SOUTHEAST 69KV CKT 1
25SP	00NR	0	TO->FROM	G15_031_115	LUBBOCK POWER & LIGHT-CO-OP - LUBBOCK POWER & LIGHT-WADSWORTH 69KV CKT 1	141.2	0.00951	116.0432	LUBBOCK POWER & LIGHT-SOUTHEAST - LUBBOCK SOUTH INTERCHANGE 230KV CKT 1
25SP	00NR	0	TO->FROM	G15_031_115	LUBBOCK POWER & LIGHT-CO-OP - LUBBOCK POWER & LIGHT-WADSWORTH 69KV CKT 1	141.2	0.00901	114.3081	LUBBOCK POWER & LIGHT-HOLLY GEN - LUBBOCK POWER & LIGHT-NORTHEAST 69KV CKT 1
20SP	00NR	0	TO->FROM	G15_031_115	LUBBOCK POWER & LIGHT-CO-OP - LUBBOCK POWER & LIGHT-WADSWORTH 69KV CKT 1	108	0.00987	113.6676	BASE CASE
20SP	00NR	0	TO->FROM	G15_031_115	LUBBOCK POWER & LIGHT-CO-OP - LUBBOCK POWER & LIGHT-WADSWORTH 69KV CKT 1	143	0.01188	113.4014	LUBBOCK POWER & LIGHT-SLATON - LUBBOCK POWER & LIGHT-SOUTHEAST 69KV CKT 1
25SP	00NR	0	TO->FROM	G15_031_115	LUBBOCK POWER & LIGHT-CO-OP - LUBBOCK POWER & LIGHT-WADSWORTH 69KV CKT 1	141.2	0.00916	111.0822	CARLISLE INTERCHANGE - LUBBOCK POWER & LIGHT-MILWAUKEE 230KV CKT 1
25SP	00NR	0	TO->FROM	G15_031_115	LUBBOCK POWER & LIGHT-CO-OP - LUBBOCK POWER & LIGHT-WADSWORTH 69KV CKT 1	141.2	0.00916	111.0113	LUBBOCK POWER & LIGHT-MILWAUKEE (M-E C0681251) 230/69/13.5KV TRANSFORMER CKT 1
25SP	00NR	0	TO->FROM	G15_031_115	LUBBOCK POWER & LIGHT-CO-OP - LUBBOCK POWER & LIGHT-WADSWORTH 69KV CKT 1	141.2	0.00916	111.0113	SPP-SWPS-K39
15SP	00NR	0	TO->FROM	G15_031_115	LUBBOCK POWER & LIGHT-CO-OP - LUBBOCK POWER & LIGHT-WADSWORTH 69KV CKT 1	108	0.01067	109.7232	BASE CASE
25SP	00NR	0	TO->FROM	G15_031_115	LUBBOCK POWER & LIGHT-CO-OP - LUBBOCK POWER & LIGHT-WADSWORTH 69KV CKT 1	141.2	0.00748	108.813	LUBBOCK POWER & LIGHT-OLIVER - LUBBOCK POWER & LIGHT-SOUTHEAST 69KV CKT 1
15SP	00NR	0	TO->FROM	G15_031_115	LUBBOCK POWER & LIGHT-CO-OP - LUBBOCK POWER & LIGHT-WADSWORTH 69KV CKT 1	143	0.01222	104.5916	LUBBOCK POWER & LIGHT-SLATON - LUBBOCK POWER & LIGHT-SOUTHEAST 69KV CKT 1
25SP	00NR	0	TO->FROM	G15_031_115	LUBBOCK POWER & LIGHT-CO-OP - LUBBOCK POWER & LIGHT-WADSWORTH 69KV CKT 1	141.2	0.00901	103.4724	LUBBOCK POWER & LIGHT-MACKENZIE GEN - LUBBOCK POWER & LIGHT-NORTHEAST 69KV CKT 1
20SP	00NR	0	TO->FROM	G15_031_115	LUBBOCK POWER & LIGHT-CO-OP - LUBBOCK POWER & LIGHT-WADSWORTH 69KV CKT 1	143	0.0122	103.3986	LUBBOCK POWER & LIGHT-HOLLY GEN - LUBBOCK POWER & LIGHT-NORTHEAST 69KV CKT 1
20SP	00NR	0	TO->FROM	G15_031_115	LUBBOCK POWER & LIGHT-CO-OP - LUBBOCK POWER & LIGHT-WADSWORTH 69KV CKT 1	143	0.01358	103.3385	LUBBOCK POWER & LIGHT-SOUTHEAST - LUBBOCK SOUTH INTERCHANGE 230KV CKT 1
25SP	00NR	0	TO->FROM	G15_031_115	LUBBOCK POWER & LIGHT-CO-OP - LUBBOCK POWER & LIGHT-WADSWORTH 69KV CKT 1	141.2	0.00807	102.7769	LUBBOCK POWER & LIGHT-SOUTHEAST (ABB 60258) 230/69/13.5KV TRANSFORMER CKT 1
25SP	00NR	0	TO->FROM	G15_031_115	LUBBOCK POWER & LIGHT-CO-OP - LUBBOCK POWER & LIGHT-WADSWORTH 69KV CKT 1	141.2	0.00802	102.2705	LUBBOCK POWER & LIGHT-SOUTHEAST (FRM WADSWRTH) 230/69/13.5KV TRANSFORMER CKT 2
25SP	00NR	0	TO->FROM	G15_031_115	LUBBOCK POWER & LIGHT-CO-OP - LUBBOCK POWER & LIGHT-WADSWORTH 69KV CKT 1	141.2	0.00756	101.6062	LUBBOCK POWER & LIGHT-CHALKER - LUBBOCK POWER & LIGHT-THOMPSON 69KV CKT 1
25SP	00NR	0	TO->FROM	G15_031_115	LUBBOCK POWER & LIGHT-CO-OP - LUBBOCK POWER & LIGHT-WADSWORTH 69KV CKT 1	141.2	0.00664	100.915	LUBBOCK POWER & LIGHT-HOLLY GEN - LUBBOCK POWER & LIGHT-SOUTHEAST 69KV CKT 1

SEASON	GROUP	SCENARIO	DIRECTION	SOURCE	MONITORED ELEMENT	RATE	CONTINGENCY		CONTINGENCY
						(MVA)	TDF	LOADING %	
25SP	00NR	0	TO->FROM	G15_031_115	LUBBOCK POWER & LIGHT-CO-OP - LUBBOCK POWER & LIGHT-WADSWORTH 69KV CKT 1	141.2	0.00748	100.5269	LUBBOCK POWER & LIGHT-CHALKER - LUBBOCK POWER & LIGHT-OLIVER 69KV CKT 1
25SP	00NR	0	TO->FROM	G15_031_115	LUBBOCK POWER & LIGHT-SLATON - LUBBOCK POWER & LIGHT-SOUTHEAST 69KV CKT 1	143	0.00735	121.1923	LUBBOCK POWER & LIGHT-CO-OP - LUBBOCK POWER & LIGHT-WADSWORTH 69KV CKT 1
20SP	00NR	0	TO->FROM	G15_031_115	LUBBOCK POWER & LIGHT-SLATON - LUBBOCK POWER & LIGHT-SOUTHEAST 69KV CKT 1	142.8	0.00992	110.8375	LUBBOCK POWER & LIGHT-CO-OP - LUBBOCK POWER & LIGHT-WADSWORTH 69KV CKT 1
20SP	00NR	0	TO->FROM	G15_031_115	LUBBOCK POWER & LIGHT-SLATON - LUBBOCK POWER & LIGHT-SOUTHEAST 69KV CKT 1	142.8	0.00594	109.021	LUBBOCK POWER & LIGHT-OLIVER - LUBBOCK POWER & LIGHT-SOUTHEAST 69KV CKT 1
15G	06ALL	0	TO->FROM	G15_031_115	MANHATTAN TAP - RANDALL COUNTY INTERCHANGE 115KV CKT 1	159.4	0.0698	106.9222	OSAGE SWITCHING STATION - RANDALL COUNTY INTERCHANGE 115KV CKT 1
20SP	06ALL	0	TO->FROM	G15_031_115	NORGE ROAD - SOUTHWESTERN STATION 138KV CKT 1	135.7	0.01123	110.7605	SOUTHWESTERN STATION - VERDEN 138KV CKT 1
20SP	06ALL	0	TO->FROM	G15_031_115	NORGE ROAD - SOUTHWESTERN STATION 138KV CKT 1	135.7	0.01123	109.2867	NORTH 29TH CHICKASHA - VERDEN 138KV CKT 1
20SP	06ALL	0	TO->FROM	G15_031_115	NORGE ROAD - SOUTHWESTERN STATION 138KV CKT 1	135.7	0.01608	106.4716	CIMARRON - MINCO 345KV CKT 1
20SP	06ALL	0	TO->FROM	G15_031_115	NORGE ROAD - SOUTHWESTERN STATION 138KV CKT 1	135.7	0.01123	106.2653	CORNVILLE - NORTH 29TH CHICKASHA 138KV CKT 1
20SP	06ALL	0	TO->FROM	G15_031_115	NORGE ROAD - SOUTHWESTERN STATION 138KV CKT 1	135.7	0.0104	104.1341	ANADARKO - CORN TAP 138KV CKT 1
20SP	06ALL	0	TO->FROM	G15_031_115	NORGE ROAD - SOUTHWESTERN STATION 138KV CKT 1	135.7	0.01608	102.9344	GRACEMONT - MINCO 345KV CKT 1
25SP	06ALL	0	TO->FROM	G15_031_115	NORGE ROAD - SOUTHWESTERN STATION 138KV CKT 1	135.8	0.01079	100.1016	SOUTHWESTERN STATION - VERDEN 138KV CKT 1
15G	06ALL	0	TO->FROM	G15_031_115	OSAGE SWITCHING STATION - RANDALL COUNTY INTERCHANGE 115KV CKT 1	159.5	0.06817	105.4809	MANHATTAN TAP - RANDALL COUNTY INTERCHANGE 115KV CKT 1
15G	06ALL	0	TO->FROM	G15_031_115	OSAGE SWITCHING STATION - RANDALL COUNTY INTERCHANGE 115KV CKT 1	159.5	0.06263	101.3517	SPP-SWPS-V04
15G	06ALL	0	FROM->TO	G15_031_115	PALO DURO SUB - RANDALL COUNTY INTERCHANGE 115KV CKT 1	250.9	0	107.0945	KRESS INTERCHANGE - TULIA TAP 115KV CKT 1
15SP	06ALL	0	FROM->TO	G15_031_115	PALO DURO SUB - RANDALL COUNTY INTERCHANGE 115KV CKT 1	250.7	0	100.2393	KRESS INTERCHANGE - TULIA TAP 115KV CKT 1
15SP	06ALL	0	FROM->TO	G15_031_115	PRINGLE INTERCHANGE - SPEARMAN INTERCHANGE 115KV CKT 1	159.7	0.03615	104.2129	PRINGLE INTERCHANGE - SPEARMAN INTERCHANGE 115KV CKT 2
15G	06ALL	0	FROM->TO	G15_031_115	PRINGLE INTERCHANGE - SPEARMAN INTERCHANGE 115KV CKT 1	158.4	0.03486	103.0278	PRINGLE INTERCHANGE - SPEARMAN INTERCHANGE 115KV CKT 2
15G	06ALL	0	FROM->TO	G15_031_115	SHAMROCK (SHAMRCK1) 115/69/14.4KV TRANSFORMER CKT 1	66	0.01321	105.8	CHISHOLM6 230.00 - SWEETWATER 230KV CKT 1
15G	06ALL	0	FROM->TO	G15_031_115	SHAMROCK (SHAMRCK1) 115/69/14.4KV TRANSFORMER CKT 1	66	0.01202	105.3667	HWRDWCK2 69.000 - JERICHO 69KV CKT 1
15G	06ALL	0	FROM->TO	G15_031_115	SHAMROCK (SHAMRCK1) 115/69/14.4KV TRANSFORMER CKT 1	66	0.01202	105.3667	JERICHO - KIRBY SWITCHING STATION 115KV CKT 1
15G	06ALL	0	FROM->TO	G15_031_115	SHAMROCK (SHAMRCK1) 115/69/14.4KV TRANSFORMER CKT 1	66	0.01202	105.3667	JERICHO (JERIC2WT) 115/69/14.4KV TRANSFORMER CKT 1
15G	06ALL	0	FROM->TO	G15_031_115	SHAMROCK (SHAMRCK1) 115/69/14.4KV TRANSFORMER CKT 1	66	0.01202	104.6091	CLARENDON - HWRDWCK2 69.000 69KV CKT 1
15G	06ALL	0	FROM->TO	G15_031_115	SHAMROCK (SHAMRCK1) 115/69/14.4KV TRANSFORMER CKT 1	66	0.01311	104.2424	G14-074T 345.00 - OKLAUNION 345KV CKT 1
15G	06ALL	0	FROM->TO	G15_031_115	SHAMROCK (SHAMRCK1) 115/69/14.4KV TRANSFORMER CKT 1	67.1	0.01321	104.2146	CHISHOLM6 230.00 - SWEETWATER 230KV CKT 1
15G	06ALL	0	FROM->TO	G15_031_115	SHAMROCK (SHAMRCK1) 115/69/14.4KV TRANSFORMER CKT 1	67.1	0.01202	103.7884	HWRDWCK2 69.000 - JERICHO 69KV CKT 1
15G	06ALL	0	FROM->TO	G15_031_115	SHAMROCK (SHAMRCK1) 115/69/14.4KV TRANSFORMER CKT 1	67.1	0.01202	103.7884	JERICHO - KIRBY SWITCHING STATION 115KV CKT 1
15G	06ALL	0	FROM->TO	G15_031_115	SHAMROCK (SHAMRCK1) 115/69/14.4KV TRANSFORMER CKT 1	67.1	0.01202	103.7884	JERICHO (JERIC2WT) 115/69/14.4KV TRANSFORMER CKT 1
15G	06ALL	0	FROM->TO	G15_031_115	SHAMROCK (SHAMRCK1) 115/69/14.4KV TRANSFORMER CKT 1	66	0.01321	103.5273	GRAPEVINE INTERCHANGE - STATELINE INTERCHANGE 230KV CKT 1
15G	06ALL	0	FROM->TO	G15_031_115	SHAMROCK (SHAMRCK1) 115/69/14.4KV TRANSFORMER CKT 1	67.1	0.01202	103.0432	CLARENDON - HWRDWCK2 69.000 69KV CKT 1
15G	06ALL	0	FROM->TO	G15_031_115	SHAMROCK (SHAMRCK1) 115/69/14.4KV TRANSFORMER CKT 1	66	0.0122	103.0424	CHISHOLM6 230.00 - ELK CITY 230KV 230KV CKT 1
15G	06ALL	0	FROM->TO	G15_031_115	SHAMROCK (SHAMRCK1) 115/69/14.4KV TRANSFORMER CKT 1	66	0.0122	103.0424	ELK CITY 230KV (ELKCTY-6) 230/138/13.8KV TRANSFORMER CKT 1
15G	06ALL	0	FROM->TO	G15_031_115	SHAMROCK (SHAMRCK1) 115/69/14.4KV TRANSFORMER CKT 1	66	0.01258	102.9333	CHISHOLM7 345.00 - GRACEMONT 345KV CKT 1
15G	06ALL	0	FROM->TO	G15_031_115	SHAMROCK (SHAMRCK1) 115/69/14.4KV TRANSFORMER CKT 1	67.1	0.01311	102.8316	G14-074T 345.00 - OKLAUNION 345KV CKT 1
15G	06ALL	0	FROM->TO	G15_031_115	SHAMROCK (SHAMRCK1) 115/69/14.4KV TRANSFORMER CKT 1	67.1	0.01321	101.9791	GRAPEVINE INTERCHANGE - STATELINE INTERCHANGE 230KV CKT 1
15G	06ALL	0	FROM->TO	G15_031_115	SHAMROCK (SHAMRCK1) 115/69/14.4KV TRANSFORMER CKT 1	67.1	0.0122	101.6513	CHISHOLM6 230.00 - ELK CITY 230KV 230KV CKT 1
15G	06ALL	0	FROM->TO	G15_031_115	SHAMROCK (SHAMRCK1) 115/69/14.4KV TRANSFORMER CKT 1	66	0.01202	101.5788	CLARENDON - CLARENDON REC 69KV CKT 1
15G	06ALL	0	FROM->TO	G15_031_115	SHAMROCK (SHAMRCK1) 115/69/14.4KV TRANSFORMER CKT 1	67.1	0.0122	101.5022	ELK CITY 230KV (ELKCTY-6) 230/138/13.8KV TRANSFORMER CKT 1
15G	06ALL	0	FROM->TO	G15_031_115	SHAMROCK (SHAMRCK1) 115/69/14.4KV TRANSFORMER CKT 1	67.1	0.01258	101.3949	CHISHOLM7 345.00 - GRACEMONT 345KV CKT 1
15G	06ALL	0	FROM->TO	G15_031_115	SHAMROCK (SHAMRCK1) 115/69/14.4KV TRANSFORMER CKT 1	66	0.01311	100.9091	G14-074T 345.00 - TUCO INTERCHANGE 345KV CKT 1
15G	06ALL	0	FROM->TO	G15_031_115	SHAMROCK (SHAMRCK1) 115/69/14.4KV TRANSFORMER CKT 1	66	0.01202	100.3667	CLARENDON REC - HEDLEY 69KV CKT 1
15G	06ALL	0	FROM->TO	G15_031_115	SHAMROCK (SHAMRCK1) 115/69/14.4KV TRANSFORMER CKT 1	66	0.01195	100.1242	DBL-G1114-WWRD
15G	06ALL	0	FROM->TO	G15_031_115	SHAMROCK (SHAMRCK1) 115/69/14.4KV TRANSFORMER CKT 1	67.1	0.01202	100.0626	CLARENDON - CLARENDON REC 69KV CKT 1
20WP	06ALL	0	TO->FROM	G15_031_115	SUNSHINE CANYON - TUTTLE 138KV CKT 1	140.9	0.02107	109.0334	CIMARRON - MINCO 345KV CKT 1
20SP	06ALL	0	TO->FROM	G15_031_115	SUNSHINE CANYON - TUTTLE 138KV CKT 1	141.6	0.02209	104.6893	CIMARRON - MINCO 345KV CKT 1
20WP	06ALL	0	TO->FROM	G15_031_115	SUNSHINE CANYON - TUTTLE 138KV CKT 1	140.9	0.02107	104.3492	GRACEMONT - MINCO 345KV CKT 1
15SP	06ALL	0	TO->FROM	G15_031_115	SUNSHINE CANYON - TUTTLE 138KV CKT 1	141.6	0.02345	104.1314	CIMARRON - MINCO 345KV CKT 1
20SP	06ALL	0	TO->FROM	G15_031_115	SUNSHINE CANYON - TUTTLE 138KV CKT 1	141.6	0.02209	100.0989	GRACEMONT - MINCO 345KV CKT 1
15SP	06ALL	0	FROM->TO	G15_031_115	THOMAS TAP - WEATHERFORD 69KV CKT 1	39	0.00792	114.2667	CLINTON JUNCTION - CLINTON NATURAL GAS TAP 138KV CKT 1
15G	06ALL	0	FROM->TO	G15_031_115	TUCO INTERCHANGE (GE M1022338) 345/230/13.2KV TRANSFORMER CKT 1	555.1	0.17226	102.8035	TUCO INTERCHANGE (SIEM 8743066) 345/230/13.2KV TRANSFORMER CKT 2
15G	06ALL	0	FROM->TO	G15_031_115	TUCO INTERCHANGE (GE M1022338) 345/230/13.2KV TRANSFORMER CKT 1	557.4	0.17226	102.3254	TUCO INTERCHANGE (SIEM 8743066) 345/230/13.2KV TRANSFORMER CKT 2
20WP	06ALL	0	TO->FROM	G15_031_115	TUCO_2 345.00 (TUCO_2 XFMR) 345/230/13.2KV TRANSFORMER CKT 1	559.5	0.1826	111.8152	TUCO INTERCHANGE - TUCO_2 345.00 345KV CKT 1
20WP	06ALL	0	TO->FROM	G15_031_115	TUCO_2 345.00 (TUCO_2 XFMR) 345/230/13.2KV TRANSFORMER CKT 1	559.9	0.1826	111.6996	TUCO INTERCHANGE - TUCO_2 345.00 345KV CKT 1
15G	06ALL	0	FROM->TO	G15_031_115	WICHITA (WICH TX-12) 345/138/13.8KV TRANSFORMER CKT 1	413.2	0.01228	106.6578	WICHITA (WICH TX-11) 345/138/13.8KV TRANSFORMER CKT 1
15G	06ALL	0	FROM->TO	G15_031_115	WICHITA (WICH TX-12) 345/138/13.8KV TRANSFORMER CKT 1	419.7	0.01228	104.8668	WICHITA (WICH TX-11) 345/138/13.8KV TRANSFORMER CKT 1
15WP	06ALL	0	FROM->TO	G15_031_115	WICHITA (WICH TX-12) 345/138/13.8KV TRANSFORMER CKT 1	414.2	0.01194	102.3916	WICHITA (WICH TX-11) 345/138/13.8KV TRANSFORMER CKT 1
15WP	06ALL	0	FROM->TO	G15_031_115	WICHITA (WICH TX-12) 345/138/13.8KV TRANSFORMER CKT 1	420.2	0.01194	100.8106	WICHITA (WICH TX-11) 345/138/13.8KV TRANSFORMER CKT 1
25SP	00NR	0	FROM->TO	G15_031_115	WOLFFORTH INTERCHANGE (WH 7001668) 230/115/13.2KV TRANSFORMER CKT 1	140.3	0.02041	100.8004	CARLISLE INTERCHANGE - LP-DOUD_TP 3115.00 115KV CKT 1
20SP	06ALL	2	FROM->TO	G15_031_115	ANADARKO - CORN TAP 138KV CKT 1	142.8	0.01485	100.1793	CIMARRON - MINCO 345KV CKT 1
15G	06ALL	2	TO->FROM	G15_031_115	ANADARKO - GRACMNT4 138.00 138KV CKT 1	225.1	0.05375	127.4927	CIMARRON - MINCO 345KV CKT 1

SEASON	GROUP	SCENARIO	DIRECTION	SOURCE	MONITORED ELEMENT	RATE (MVA)	TDF	CONTINGENCY	
								LOADING %	CONTINGENCY
15G	06ALL	2	TO->FROM	G15_031_115	ANADARKO - GRACMNT4 138.00 138KV CKT 1	225.1	0.05375	119.2741	GRACEMONT - MINCO 345KV CKT 1
15G	06ALL	2	TO->FROM	G15_031_115	ANADARKO - GRACMNT4 138.00 138KV CKT 1	225.1	0.03044	106.9214	SOUTHWESTERN STATION - WASHITA 138KV CKT 1
15SP	06ALL	2	FROM->TO	G15_031_115	BENTLEY4 138.00 - HALSTAD SOUTH BUS 138KV CKT 1	142.2	0.00695	108.2602	RENO COUNTY - WICHITA 345KV CKT 1
20WP	06ALL	2	FROM->TO	G15_031_115	CLEARWATER - GILL ENERGY CENTER WEST 138KV CKT 1	142.9	0.01156	119.4836	GILL ENERGY CENTER SOUTH - VIOLA 4 138.00 138KV CKT 1
20SP	06ALL	2	FROM->TO	G15_031_115	CLEARWATER - GILL ENERGY CENTER WEST 138KV CKT 1	142.2	0.0139	102.4233	GILL ENERGY CENTER SOUTH - VIOLA 4 138.00 138KV CKT 1
15SP	06ALL	2	TO->FROM	G15_031_115	CLINTON CITY - FOSS TAP 69KV CKT 1	74.5	0.00794	103.4577	CLINTON JUNCTION - CLINTON NATURAL GAS TAP 138KV CKT 1
15SP	06ALL	2	FROM->TO	G15_031_115	CLINTON CITY - THOMAS TAP 69KV CKT 1	38.9	0.00794	125.6452	CLINTON JUNCTION - CLINTON NATURAL GAS TAP 138KV CKT 1
20SP	06ALL	2	FROM->TO	G15_031_115	CLINTON CITY - THOMAS TAP 69KV CKT 1	39	0.00758	102.959	CLINTON JUNCTION - CLINTON NATURAL GAS TAP 138KV CKT 1
15G	06ALL	2	FROM->TO	G15_031_115	CLINTON CITY - THOMAS TAP 69KV CKT 1	47.9	0.00772	101.1357	CLINTON JUNCTION - CLINTON NATURAL GAS TAP 138KV CKT 1
15SP	06ALL	2	TO->FROM	G15_031_115	CLINTON JUNCTION - ELK CITY 138KV CKT 1	148.8	0.04277	140.7177	CHISHOLM7 345.00 - GRACEMONT 345KV CKT 1
15G	06ALL	2	TO->FROM	G15_031_115	CLINTON JUNCTION - ELK CITY 138KV CKT 1	185.1	0.04134	124.1621	CHISHOLM7 345.00 - GRACEMONT 345KV CKT 1
15SP	06ALL	2	TO->FROM	G15_031_115	CLINTON JUNCTION - ELK CITY 138KV CKT 1	148.8	0.03622	122.7997	G14-074T 345.00 - OKLAUNION 345KV CKT 1
15SP	06ALL	2	TO->FROM	G15_031_115	CLINTON JUNCTION - ELK CITY 138KV CKT 1	148.8	0.02214	120.3884	ONEY - WASHITA 138KV CKT 1
15SP	06ALL	2	TO->FROM	G15_031_115	CLINTON JUNCTION - ELK CITY 138KV CKT 1	148.8	0.03622	118.7675	G14-074T 345.00 - TUCO INTERCHANGE 345KV CKT 1
15SP	06ALL	2	TO->FROM	G15_031_115	CLINTON JUNCTION - ELK CITY 138KV CKT 1	148.8	0.03271	118.2513	NORTHWEST - TATONGA7 345.00 345KV CKT 1
15SP	06ALL	2	TO->FROM	G15_031_115	CLINTON JUNCTION - ELK CITY 138KV CKT 1	148.8	0.02214	117.8347	BINGER NIJECT - ONEY 138KV CKT 1
15SP	06ALL	2	TO->FROM	G15_031_115	CLINTON JUNCTION - ELK CITY 138KV CKT 1	148.8	0.03271	117.7809	SPSCont-05b
15SP	06ALL	2	TO->FROM	G15_031_115	CLINTON JUNCTION - ELK CITY 138KV CKT 1	148.8	0.03271	117.3777	SPSCont-04
15SP	06ALL	2	TO->FROM	G15_031_115	CLINTON JUNCTION - ELK CITY 138KV CKT 1	148.8	0.03328	117.125	DBL-THIS-WWRD
15SP	06ALL	2	TO->FROM	G15_031_115	CLINTON JUNCTION - ELK CITY 138KV CKT 1	132.4	0.0288	116.2341	BASE CASE
15SP	06ALL	2	TO->FROM	G15_031_115	CLINTON JUNCTION - ELK CITY 138KV CKT 1	148.8	0.03268	115.6814	CLINTON AIR FORCE BASE TAP - ELK CITY 138KV CKT 1
15SP	06ALL	2	TO->FROM	G15_031_115	CLINTON JUNCTION - ELK CITY 138KV CKT 1	148.8	0.03562	115.4072	CHISHOLM7 345.00 - WOODWARD DISTRICT EHV 345KV CKT 1
15SP	06ALL	2	TO->FROM	G15_031_115	CLINTON JUNCTION - ELK CITY 138KV CKT 1	148.8	0.03268	114.8078	CLINTON AIR FORCE BASE TAP - HOBART JUNCTION 138KV CKT 1
15SP	06ALL	2	TO->FROM	G15_031_115	CLINTON JUNCTION - ELK CITY 138KV CKT 1	148.8	0.02214	113.7352	BINGER NIJECT - SICKLES 138KV CKT 1
15SP	06ALL	2	TO->FROM	G15_031_115	CLINTON JUNCTION - ELK CITY 138KV CKT 1	148.8	0.03271	113.6814	G11_051T 345.00 - TATONGA7 345.00 345KV CKT 1
15SP	06ALL	2	TO->FROM	G15_031_115	CLINTON JUNCTION - ELK CITY 138KV CKT 1	148.8	0.02214	113.0632	CLINTON JUNCTION - G07-32T 138.00 138KV CKT 1
15SP	06ALL	2	TO->FROM	G15_031_115	CLINTON JUNCTION - ELK CITY 138KV CKT 1	148.8	0.0288	112.9664	G07-32 138.00 - G07-32T 138.00 138KV CKT 1
15SP	06ALL	2	TO->FROM	G15_031_115	CLINTON JUNCTION - ELK CITY 138KV CKT 1	148.8	0.0288	112.9664	G07-32 138.00 138/34.5KV TRANSFORMER CKT 1
15SP	06ALL	2	TO->FROM	G15_031_115	CLINTON JUNCTION - ELK CITY 138KV CKT 1	148.8	0.0288	112.9664	G07-32 34.500 34.5/12.0KV TRANSFORMER CKT 1
15SP	06ALL	2	TO->FROM	G15_031_115	CLINTON JUNCTION - ELK CITY 138KV CKT 1	148.8	0.0288	111.6223	WASHITA - WEATHERFORD WIND FARM 34 KV 34.5KV CKT 1
15WP	06ALL	2	TO->FROM	G15_031_115	CLINTON JUNCTION - ELK CITY 138KV CKT 1	186.8	0.04371	111.3201	CHISHOLM7 345.00 - GRACEMONT 345KV CKT 1
20SP	06ALL	2	TO->FROM	G15_031_115	CLINTON JUNCTION - ELK CITY 138KV CKT 1	151.1	0.04243	109.5778	CHISHOLM7 345.00 - GRACEMONT 345KV CKT 1
20SP	06ALL	2	TO->FROM	G15_031_115	CLINTON JUNCTION - ELK CITY 138KV CKT 1	151.1	0.02202	106.5255	ONEY - WASHITA 138KV CKT 1
15G	06ALL	2	TO->FROM	G15_031_115	CLINTON JUNCTION - ELK CITY 138KV CKT 1	185.1	0.03492	105.745	G14-074T 345.00 - OKLAUNION 345KV CKT 1
20SP	06ALL	2	TO->FROM	G15_031_115	CLINTON JUNCTION - ELK CITY 138KV CKT 1	151.1	0.02202	103.9444	BINGER NIJECT - ONEY 138KV CKT 1
20WP	06ALL	2	TO->FROM	G15_031_115	CLINTON JUNCTION - ELK CITY 138KV CKT 1	187.5	0.04185	102.8395	CHISHOLM7 345.00 - GRACEMONT 345KV CKT 1
15G	06ALL	2	TO->FROM	G15_031_115	CLINTON JUNCTION - ELK CITY 138KV CKT 1	185.1	0.03492	102.6656	G14-074T 345.00 - TUCO INTERCHANGE 345KV CKT 1
15G	06ALL	2	TO->FROM	G15_031_115	CLINTON JUNCTION - ELK CITY 138KV CKT 1	185.1	0.03164	102.4873	NORTHWEST - TATONGA7 345.00 345KV CKT 1
15G	06ALL	2	TO->FROM	G15_031_115	CLINTON JUNCTION - ELK CITY 138KV CKT 1	185.1	0.03164	102.1091	SPSCont-05b
15G	06ALL	2	TO->FROM	G15_031_115	CLINTON JUNCTION - ELK CITY 138KV CKT 1	185.1	0.03164	101.785	SPSCont-04
15G	06ALL	2	TO->FROM	G15_031_115	CLINTON JUNCTION - ELK CITY 138KV CKT 1	185.1	0.03146	101.6153	CLINTON AIR FORCE BASE TAP - ELK CITY 138KV CKT 1
15G	06ALL	2	TO->FROM	G15_031_115	CLINTON JUNCTION - ELK CITY 138KV CKT 1	185.1	0.03146	101.0211	CLINTON AIR FORCE BASE TAP - HOBART JUNCTION 138KV CKT 1
15G	06ALL	2	TO->FROM	G15_031_115	CLINTON JUNCTION - ELK CITY 138KV CKT 1	185.1	0.03448	100.2831	CHISHOLM7 345.00 - WOODWARD DISTRICT EHV 345KV CKT 1
15G	06ALL	2	TO->FROM	G15_031_115	CLINTON JUNCTION - ELK CITY 138KV CKT 1	185.1	0.03207	100.1351	DBL-THIS-WWRD
15SP	06ALL	2	FROM->TO	G15_031_115	CLINTON JUNCTION - FOSS TAP 69KV CKT 1	74.7	0.00794	104.3855	CLINTON JUNCTION - CLINTON NATURAL GAS TAP 138KV CKT 1
15SP	06ALL	2	TO->FROM	G15_031_115	COMANCHE TAP - TOSCO 69KV CKT 1	39	0.00569	103.7744	G14-057T 345.00 - SUNNYSIDE 345KV CKT 1
15SP	06ALL	2	TO->FROM	G15_031_115	COMANCHE TAP - TOSCO 69KV CKT 1	39	0.00569	100.9538	G14-057T 345.00 - LAWTON EASTSIDE 345KV CKT 1
20WP	06ALL	2	FROM->TO	G15_031_115	CORN TAP - PAYNE 138.00 138KV CKT 1	141.6	0.01793	111.0734	G14-057T 345.00 - SUNNYSIDE 345KV CKT 1
20WP	06ALL	2	FROM->TO	G15_031_115	CORN TAP - PAYNE 138.00 138KV CKT 1	141.6	0.01793	109.3079	G14-057T 345.00 - LAWTON EASTSIDE 345KV CKT 1
15WP	06ALL	2	FROM->TO	G15_031_115	CORN TAP - PAYNE 138.00 138KV CKT 1	141.4	0.0186	109.0438	G14-057T 345.00 - SUNNYSIDE 345KV CKT 1
20WP	06ALL	2	FROM->TO	G15_031_115	CORN TAP - PAYNE 138.00 138KV CKT 1	141.6	0.01823	107.4576	CIMARRON - MINCO 345KV CKT 1
15WP	06ALL	2	FROM->TO	G15_031_115	CORN TAP - PAYNE 138.00 138KV CKT 1	141.4	0.0186	107.2758	G14-057T 345.00 - LAWTON EASTSIDE 345KV CKT 1
20WP	06ALL	2	FROM->TO	G15_031_115	CORN TAP - PAYNE 138.00 138KV CKT 1	141.6	0.01424	105.7175	ANADARKO - BLANCHARD 138KV CKT 1
20WP	06ALL	2	FROM->TO	G15_031_115	CORN TAP - PAYNE 138.00 138KV CKT 1	141.6	0.01823	104.3503	GRACEMONT - MINCO 345KV CKT 1
20WP	06ALL	2	FROM->TO	G15_031_115	CORN TAP - PAYNE 138.00 138KV CKT 1	141.6	0.01424	103.8107	BLANCHARD - OUSW4 138KV CKT 1
15WP	06ALL	2	FROM->TO	G15_031_115	CORN TAP - PAYNE 138.00 138KV CKT 1	141.4	0.01902	101.9378	CIMARRON - MINCO 345KV CKT 1
15WP	06ALL	2	FROM->TO	G15_031_115	CORN TAP - PAYNE 138.00 138KV CKT 1	141.4	0.01483	100.6011	ANADARKO - BLANCHARD 138KV CKT 1
15SP	06ALL	2	FROM->TO	G15_031_115	DUNCAN - TOSCO 69KV CKT 1	38.9	0.00569	108.1543	G14-057T 345.00 - SUNNYSIDE 345KV CKT 1
15SP	06ALL	2	FROM->TO	G15_031_115	DUNCAN - TOSCO 69KV CKT 1	38.9	0.00569	105.3265	G14-057T 345.00 - LAWTON EASTSIDE 345KV CKT 1
15WP	06ALL	2	FROM->TO	G15_031_115	DUNCAN - TOSCO 69KV CKT 1	47.8	0.00589	100.8201	G14-057T 345.00 - SUNNYSIDE 345KV CKT 1
20WP	06ALL	2	FROM->TO	G15_031_115	DUNCAN - TOSCO 69KV CKT 1	47.9	0.00552	100.5637	G14-057T 345.00 - SUNNYSIDE 345KV CKT 1
15SP	06ALL	2	TO->FROM	G15_031_115	EARLSBORO 4138.00 - MAUD 138KV CKT 1	97.7	0.00723	106.0594	MAUD (MAUD1) 138/69/13.2KV TRANSFORMER CKT 1
15SP	06ALL	2	TO->FROM	G15_031_115	EARLSBORO 4138.00 - MAUD 138KV CKT 1	97.7	0.00703	100.9212	CANADIAN RIVER - MCALLESTER SOUTH 138KV CKT 1
15SP	06ALL	2	TO->FROM	G15_031_115	EARLSBORO 4138.00 - MAUD 138KV CKT 1	97.7	0.00694	100.9212	BASE CASE

SEASON	GROUP	SCENARIO	DIRECTION	SOURCE	MONITORED ELEMENT	RATE (MVA)	TDF	CONTINGENCY LOADING %	CONTINGENCY
25SP	06ALL		2 FROM->TO	G15_031_115	EDDY_NORTH 6230.00 (WAUK WT01134) 230/115/13.2KV TRANSFORMER CKT 2	285	0.00661	104.7116	EDDY COUNTY INTERCHANGE - EDDY_NORTH 6230.00 230KV CKT @1
25SP	06ALL		2 FROM->TO	G15_031_115	EDDY_NORTH 6230.00 (WAUK WT01134) 230/115/13.2KV TRANSFORMER CKT 2	286.3	0.00661	104.1663	EDDY COUNTY INTERCHANGE - EDDY_NORTH 6230.00 230KV CKT @1
15G	06ALL		2 FROM->TO	G15_031_115	ELDORADO - ELDORADO JCT 69KV CKT 1	26.9	0.00854	102.3346	LAKE PAULINE - RUSSELL 138KV CKT 1
15G	06ALL		2 FROM->TO	G15_031_115	ELK CITY 230KV (ELKCTY-6) 230/138/13.8KV TRANSFORMER CKT 1	446.9	0.09614	117.1533	CHISHOLM7 345.00 - GRACEMONT 345KV CKT 1
15SP	06ALL		2 FROM->TO	G15_031_115	ELK CITY 230KV (ELKCTY-6) 230/138/13.8KV TRANSFORMER CKT 1	446.4	0.10175	117.1519	CHISHOLM7 345.00 - GRACEMONT 345KV CKT 1
15G	06ALL		2 FROM->TO	G15_031_115	ELK CITY 230KV (ELKCTY-6) 230/138/13.8KV TRANSFORMER CKT 1	449.3	0.09614	116.6165	CHISHOLM7 345.00 - GRACEMONT 345KV CKT 1
15SP	06ALL		2 FROM->TO	G15_031_115	ELK CITY 230KV (ELKCTY-6) 230/138/13.8KV TRANSFORMER CKT 1	449.3	0.10175	116.4848	CHISHOLM7 345.00 - GRACEMONT 345KV CKT 1
15WP	06ALL		2 FROM->TO	G15_031_115	ELK CITY 230KV (ELKCTY-6) 230/138/13.8KV TRANSFORMER CKT 1	447.2	0.10458	112.58	CHISHOLM7 345.00 - GRACEMONT 345KV CKT 1
15WP	06ALL		2 FROM->TO	G15_031_115	ELK CITY 230KV (ELKCTY-6) 230/138/13.8KV TRANSFORMER CKT 1	449.3	0.10458	112.1206	CHISHOLM7 345.00 - GRACEMONT 345KV CKT 1
20WP	06ALL		2 FROM->TO	G15_031_115	ELK CITY 230KV (ELKCTY-6) 230/138/13.8KV TRANSFORMER CKT 1	448.3	0.10046	106.8883	CHISHOLM7 345.00 - GRACEMONT 345KV CKT 1
20WP	06ALL		2 FROM->TO	G15_031_115	ELK CITY 230KV (ELKCTY-6) 230/138/13.8KV TRANSFORMER CKT 1	449.7	0.10046	106.6222	CHISHOLM7 345.00 - GRACEMONT 345KV CKT 1
15SP	06ALL		2 FROM->TO	G15_031_115	ELK CITY 230KV (ELKCTY-6) 230/138/13.8KV TRANSFORMER CKT 1	446.4	0.08693	103.5914	G14-074T 345.00 - OKLAUNION 345KV CKT 1
15SP	06ALL		2 FROM->TO	G15_031_115	ELK CITY 230KV (ELKCTY-6) 230/138/13.8KV TRANSFORMER CKT 1	449.3	0.08693	103.0341	G14-074T 345.00 - OKLAUNION 345KV CKT 1
15SP	06ALL		2 FROM->TO	G15_031_115	ELK CITY 230KV (ELKCTY-6) 230/138/13.8KV TRANSFORMER CKT 1	446.4	0.0931	101.8172	CHISHOLM7 345.00 - WOODWARD DISTRICT EHV 345KV CKT 1
15SP	06ALL		2 FROM->TO	G15_031_115	ELK CITY 230KV (ELKCTY-6) 230/138/13.8KV TRANSFORMER CKT 1	449.3	0.0931	101.2713	CHISHOLM7 345.00 - WOODWARD DISTRICT EHV 345KV CKT 1
15SP	06ALL		2 FROM->TO	G15_031_115	ELK CITY 230KV (ELKCTY-6) 230/138/13.8KV TRANSFORMER CKT 1	446.4	0.08693	100.1416	G14-074T 345.00 - TUCO INTERCHANGE 345KV CKT 1
15G	06ALL		2 FROM->TO	G15_031_115	FPL SWITCH - MOORELAND 138KV CKT 1	284.1	0.04568	119.1834	DBL-THIS-WWRD
15G	06ALL		2 FROM->TO	G15_031_115	FPL SWITCH - MOORELAND 138KV CKT 1	284.1	0.03727	111.755	NORTHWEST - TATONGA7 345.00 345KV CKT 1
15G	06ALL		2 FROM->TO	G15_031_115	FPL SWITCH - MOORELAND 138KV CKT 1	284.1	0.03727	110.2063	SPSCont-04
15G	06ALL		2 FROM->TO	G15_031_115	FPL SWITCH - MOORELAND 138KV CKT 1	284.1	0.03727	109.9599	SPSCont-05b
15G	06ALL		2 FROM->TO	G15_031_115	FPL SWITCH - MOORELAND 138KV CKT 1	284.1	0.037	108.4449	CHISHOLM6 230.00 - ELK CITY 230KV 230KV CKT 1
15G	06ALL		2 FROM->TO	G15_031_115	FPL SWITCH - MOORELAND 138KV CKT 1	284.1	0.037	108.4449	ELK CITY 230KV (ELKCTY-6) 230/138/13.8KV TRANSFORMER CKT 1
15G	06ALL		2 FROM->TO	G15_031_115	FPL SWITCH - MOORELAND 138KV CKT 1	284.1	0.03727	104.7504	G11_051T 345.00 - TATONGA7 345.00 345KV CKT 1
15G	06ALL		2 FROM->TO	G15_031_115	FPL SWITCH - MOORELAND 138KV CKT 1	284.1	0.03727	103.9761	G11_051T 345.00 - WOODWARD DISTRICT EHV 345KV CKT 1
15G	06ALL		2 FROM->TO	G15_031_115	FPL SWITCH - MOORELAND 138KV CKT 1	284.1	0.03727	102.2865	SPSCont-05ax
15G	06ALL		2 FROM->TO	G15_031_115	FPL SWITCH - MOORELAND 138KV CKT 1	284.1	0.02843	102.0922	WOODWARD (WOODWRD2) 138/69/13.2KV TRANSFORMER CKT 1
15G	06ALL		2 TO->FROM	G15_031_115	FPL SWITCH - WOODWARD 138KV CKT 1	285.2	0.04568	112.3773	DBL-THIS-WWRD
15G	06ALL		2 TO->FROM	G15_031_115	FPL SWITCH - WOODWARD 138KV CKT 1	285.2	0.03727	104.9775	NORTHWEST - TATONGA7 345.00 345KV CKT 1
15G	06ALL		2 TO->FROM	G15_031_115	FPL SWITCH - WOODWARD 138KV CKT 1	285.2	0.03727	103.4348	SPSCont-04
15G	06ALL		2 TO->FROM	G15_031_115	FPL SWITCH - WOODWARD 138KV CKT 1	285.2	0.03727	103.1893	SPSCont-05b
15G	06ALL		2 TO->FROM	G15_031_115	FPL SWITCH - WOODWARD 138KV CKT 1	285.2	0.037	101.6802	CHISHOLM6 230.00 - ELK CITY 230KV 230KV CKT 1
15G	06ALL		2 TO->FROM	G15_031_115	FPL SWITCH - WOODWARD 138KV CKT 1	285.2	0.037	101.6452	ELK CITY 230KV (ELKCTY-6) 230/138/13.8KV TRANSFORMER CKT 1
15SP	06ALL		2 TO->FROM	G15_031_115	GLASS MOUNTAIN - MOORELAND 138KV CKT 1	122.3	0.02066	109.2805	DBL-THIS-WWRD
20WP	06ALL		2 TO->FROM	G15_031_115	GLASS MOUNTAIN - MOORELAND 138KV CKT 1	122.3	0.02022	101.2919	DBL-THIS-WWRD
15WP	06ALL		2 TO->FROM	G15_031_115	GLASS MOUNTAIN - MOORELAND 138KV CKT 1	122.2	0.02116	100.7774	DBL-THIS-WWRD
15SP	06ALL		2 TO->FROM	G15_031_115	GLASS MOUNTAIN - MOORELAND 138KV CKT 1	122.3	0.0159	100.5625	MOORELAND - NOEL_SW 138.00 138KV CKT 1
15G	06ALL		2 TO->FROM	G15_031_115	GRAPEVINE INTERCHANGE - NICHOLS STATION 230KV CKT 1	350	0.0737	100.3869	GRAPEVINE 345.00 - POTTER COUNTY INTERCHANGE 345KV CKT 1
15G	06ALL		2 TO->FROM	G15_031_115	GRAPEVINE INTERCHANGE - NICHOLS STATION 230KV CKT 1	350	0.07046	100.3349	DBL-G1114-WWRD
15G	06ALL		2 TO->FROM	G15_031_115	GRAPEVINE INTERCHANGE - NICHOLS STATION 230KV CKT 1	350	0.0737	100.1583	CHISHOLM7 345.00 - GRAPEVINE 345.00 345KV CKT 1
15G	06ALL		2 FROM->TO	G15_031_115	Harrington Station East Bus - POTTER COUNTY INTERCHANGE 230KV CKT 1	347	0.07555	122.2709	CHERRY1 - HARRINGTON STATION 230KV CKT 1
15G	06ALL		2 FROM->TO	G15_031_115	Harrington Station East Bus - POTTER COUNTY INTERCHANGE 230KV CKT 1	347	0.08978	121.2692	CHERRY1 - POTTER COUNTY INTERCHANGE 230KV CKT 1
15G	06ALL		2 TO->FROM	G15_031_115	HAYS PLANT - SOUTH HAYS 115KV CKT 1	98.9	0.00603	115.5126	KNOLL 230 - POSTROCK6 230.00 230KV CKT 1
15SP	06ALL		2 FROM->TO	G15_031_115	HAYS PLANT - VINE STREET 115KV CKT 1	88	0.00578	116.9227	KNOLL 230 - POSTROCK6 230.00 230KV CKT 1
15G	06ALL		2 FROM->TO	G15_031_115	HAYS PLANT - VINE STREET 115KV CKT 1	87.9	0.00603	105.9636	KNOLL 230 - POSTROCK6 230.00 230KV CKT 1
15SP	06ALL		2 FROM->TO	G15_031_115	JERICHO (JERIC2WT) 115/69/14.4KV TRANSFORMER CKT 1	45.6	0.00682	107.5482	KIRBY SWITCHING STATION - MCCLELLAN SUB 115KV CKT 1
15SP	06ALL		2 FROM->TO	G15_031_115	JERICHO (JERIC2WT) 115/69/14.4KV TRANSFORMER CKT 1	45.9	0.00682	106.8453	KIRBY SWITCHING STATION - MCCLELLAN SUB 115KV CKT 1
15SP	06ALL		2 FROM->TO	G15_031_115	JERICHO (JERIC2WT) 115/69/14.4KV TRANSFORMER CKT 1	45.6	0.00682	106.0132	MCCLELLAN SUB - MCLEAN RURAL SUB 115KV CKT 1
15SP	06ALL		2 FROM->TO	G15_031_115	JERICHO (JERIC2WT) 115/69/14.4KV TRANSFORMER CKT 1	45.9	0.00682	105.3203	MCCLELLAN SUB - MCLEAN RURAL SUB 115KV CKT 1
15G	06ALL		2 FROM->TO	G15_031_115	JERICHO (JERIC2WT) 115/69/14.4KV TRANSFORMER CKT 1	45.7	0.00691	102.6564	KIRBY SWITCHING STATION - MCCLELLAN SUB 115KV CKT 1
15SP	06ALL		2 FROM->TO	G15_031_115	JERICHO (JERIC2WT) 115/69/14.4KV TRANSFORMER CKT 1	45.6	0.00682	102.5044	SPP-SWPS-T54
15G	06ALL		2 FROM->TO	G15_031_115	JERICHO (JERIC2WT) 115/69/14.4KV TRANSFORMER CKT 1	45.9	0.00691	102.2091	KIRBY SWITCHING STATION - MCCLELLAN SUB 115KV CKT 1
15SP	06ALL		2 FROM->TO	G15_031_115	JERICHO (JERIC2WT) 115/69/14.4KV TRANSFORMER CKT 1	45.9	0.00682	101.8344	SPP-SWPS-T54
15G	06ALL		2 FROM->TO	G15_031_115	JERICHO (JERIC2WT) 115/69/14.4KV TRANSFORMER CKT 1	45.7	0.00691	101.3435	MCCLELLAN SUB - MCLEAN RURAL SUB 115KV CKT 1
15SP	06ALL		2 FROM->TO	G15_031_115	JERICHO (JERIC2WT) 115/69/14.4KV TRANSFORMER CKT 1	45.6	0.00682	100.9693	MCLEAN RURAL SUB - SHAMROCK 115KV CKT 1
15SP	06ALL		2 FROM->TO	G15_031_115	JERICHO (JERIC2WT) 115/69/14.4KV TRANSFORMER CKT 1	45.6	0.00682	100.9693	SHAMROCK (SHAMRCK1) 115/69/14.4KV TRANSFORMER CKT 1
15G	06ALL		2 FROM->TO	G15_031_115	JERICHO (JERIC2WT) 115/69/14.4KV TRANSFORMER CKT 1	45.9	0.00691	100.902	MCCLELLAN SUB - MCLEAN RURAL SUB 115KV CKT 1
15SP	06ALL		2 FROM->TO	G15_031_115	JERICHO (JERIC2WT) 115/69/14.4KV TRANSFORMER CKT 1	45.9	0.00682	100.3094	MCLEAN RURAL SUB - SHAMROCK 115KV CKT 1
15SP	06ALL		2 FROM->TO	G15_031_115	JERICHO (JERIC2WT) 115/69/14.4KV TRANSFORMER CKT 1	45.9	0.00682	100.3094	SHAMROCK (SHAMRCK1) 115/69/14.4KV TRANSFORMER CKT 1
25SP	00NR		2 TO->FROM	G15_031_115	LUBBOCK POWER & LIGHT-CO-OP - LUBBOCK POWER & LIGHT-SLATON 69KV CKT 1	53.5	0.00708	154.4374	LUBBOCK POWER & LIGHT-CO-OP - LUBBOCK POWER & LIGHT-WADSWORTH 69KV CKT 1
20SP	00NR		2 TO->FROM	G15_031_115	LUBBOCK POWER & LIGHT-CO-OP - LUBBOCK POWER & LIGHT-SLATON 69KV CKT 1	53.6	0.00984	138.3433	LUBBOCK POWER & LIGHT-CO-OP - LUBBOCK POWER & LIGHT-WADSWORTH 69KV CKT 1
15SP	00NR		2 TO->FROM	G15_031_115	LUBBOCK POWER & LIGHT-CO-OP - LUBBOCK POWER & LIGHT-SLATON 69KV CKT 1	53.9	0.00957	115.3451	LUBBOCK POWER & LIGHT-CO-OP - LUBBOCK POWER & LIGHT-WADSWORTH 69KV CKT 1

SEASON	GROUP	SCENARIO	DIRECTION	SOURCE	MONITORED ELEMENT	RATE (MVA)	TDF	CONTINGENCY LOADING %	CONTINGENCY
20WP	00NR		2 TO->FROM	G15_031_115	LUBBOCK POWER & LIGHT-CO-OP - LUBBOCK POWER & LIGHT-SLATON 69KV CKT 1	53.9	0.01603	105.397	LUBBOCK POWER & LIGHT-CO-OP - LUBBOCK POWER & LIGHT-WADSWORTH 69KV CKT 1
25SP	00NR		2 TO->FROM	G15_031_115	LUBBOCK POWER & LIGHT-CO-OP - LUBBOCK POWER & LIGHT-WADSWORTH 69KV CKT 1	105.6	0.00716	126.9394	BASE CASE
25SP	00NR		2 TO->FROM	G15_031_115	LUBBOCK POWER & LIGHT-CO-OP - LUBBOCK POWER & LIGHT-WADSWORTH 69KV CKT 1	141.2	0.00867	125.4965	LUBBOCK POWER & LIGHT-SLATON - LUBBOCK POWER & LIGHT-SOUTHEAST 69KV CKT 1
25SP	00NR		2 TO->FROM	G15_031_115	LUBBOCK POWER & LIGHT-CO-OP - LUBBOCK POWER & LIGHT-WADSWORTH 69KV CKT 1	141.2	0.00946	116.0326	LUBBOCK POWER & LIGHT-SOUTHEAST - LUBBOCK SOUTH INTERCHANGE 230KV CKT 1
25SP	00NR		2 TO->FROM	G15_031_115	LUBBOCK POWER & LIGHT-CO-OP - LUBBOCK POWER & LIGHT-WADSWORTH 69KV CKT 1	141.2	0.00896	114.2974	LUBBOCK POWER & LIGHT-HOLLY GEN - LUBBOCK POWER & LIGHT-NORTHEAST 69KV CKT 1
20SP	00NR		2 TO->FROM	G15_031_115	LUBBOCK POWER & LIGHT-CO-OP - LUBBOCK POWER & LIGHT-WADSWORTH 69KV CKT 1	108	0.00983	113.6565	BASE CASE
20SP	00NR		2 TO->FROM	G15_031_115	LUBBOCK POWER & LIGHT-CO-OP - LUBBOCK POWER & LIGHT-WADSWORTH 69KV CKT 1	143	0.01184	113.393	LUBBOCK POWER & LIGHT-SLATON - LUBBOCK POWER & LIGHT-SOUTHEAST 69KV CKT 1
25SP	00NR		2 TO->FROM	G15_031_115	LUBBOCK POWER & LIGHT-CO-OP - LUBBOCK POWER & LIGHT-WADSWORTH 69KV CKT 1	141.2	0.00913	111.0758	CARLISLE INTERCHANGE - LUBBOCK POWER & LIGHT-MILWAUKEE 230KV CKT 1
25SP	00NR		2 TO->FROM	G15_031_115	LUBBOCK POWER & LIGHT-CO-OP - LUBBOCK POWER & LIGHT-WADSWORTH 69KV CKT 1	141.2	0.00913	111.005	LUBBOCK POWER & LIGHT-MILWAUKEE (M-E C0681251) 230/69/13.5KV TRANSFORMER CKT 1
25SP	00NR		2 TO->FROM	G15_031_115	LUBBOCK POWER & LIGHT-CO-OP - LUBBOCK POWER & LIGHT-WADSWORTH 69KV CKT 1	141.2	0.00913	111.005	SPP-SWPS-K39
15SP	00NR		2 TO->FROM	G15_031_115	LUBBOCK POWER & LIGHT-CO-OP - LUBBOCK POWER & LIGHT-WADSWORTH 69KV CKT 1	108	0.01063	109.712	BASE CASE
25SP	00NR		2 TO->FROM	G15_031_115	LUBBOCK POWER & LIGHT-CO-OP - LUBBOCK POWER & LIGHT-WADSWORTH 69KV CKT 1	141.2	0.00743	108.8024	LUBBOCK POWER & LIGHT-OLIVER - LUBBOCK POWER & LIGHT-SOUTHEAST 69KV CKT 1
15SP	00NR		2 TO->FROM	G15_031_115	LUBBOCK POWER & LIGHT-CO-OP - LUBBOCK POWER & LIGHT-WADSWORTH 69KV CKT 1	143	0.01218	104.5832	LUBBOCK POWER & LIGHT-SLATON - LUBBOCK POWER & LIGHT-SOUTHEAST 69KV CKT 1
25SP	00NR		2 TO->FROM	G15_031_115	LUBBOCK POWER & LIGHT-CO-OP - LUBBOCK POWER & LIGHT-WADSWORTH 69KV CKT 1	141.2	0.00896	103.4618	LUBBOCK POWER & LIGHT-MACKENZIE GEN - LUBBOCK POWER & LIGHT-NORTHEAST 69KV CKT 1
20SP	00NR		2 TO->FROM	G15_031_115	LUBBOCK POWER & LIGHT-CO-OP - LUBBOCK POWER & LIGHT-WADSWORTH 69KV CKT 1	143	0.01216	103.3902	LUBBOCK POWER & LIGHT-HOLLY GEN - LUBBOCK POWER & LIGHT-NORTHEAST 69KV CKT 1
20SP	00NR		2 TO->FROM	G15_031_115	LUBBOCK POWER & LIGHT-CO-OP - LUBBOCK POWER & LIGHT-WADSWORTH 69KV CKT 1	143	0.01353	103.328	LUBBOCK POWER & LIGHT-SOUTHEAST - LUBBOCK SOUTH INTERCHANGE 230KV CKT 1
25SP	00NR		2 TO->FROM	G15_031_115	LUBBOCK POWER & LIGHT-CO-OP - LUBBOCK POWER & LIGHT-WADSWORTH 69KV CKT 1	141.2	0.00803	102.8392	LUBBOCK POWER & LIGHT-SOUTHEAST (ABB 60258) 230/69/13.5KV TRANSFORMER CKT 1
25SP	00NR		2 TO->FROM	G15_031_115	LUBBOCK POWER & LIGHT-CO-OP - LUBBOCK POWER & LIGHT-WADSWORTH 69KV CKT 1	141.2	0.00797	102.3307	LUBBOCK POWER & LIGHT-SOUTHEAST (FRM WADSWRTH) 230/69/13.5KV TRANSFORMER CKT 2
25SP	00NR		2 TO->FROM	G15_031_115	LUBBOCK POWER & LIGHT-CO-OP - LUBBOCK POWER & LIGHT-WADSWORTH 69KV CKT 1	141.2	0.00751	101.5956	LUBBOCK POWER & LIGHT-CHALKER - LUBBOCK POWER & LIGHT-THOMPSON 69KV CKT 1
25SP	00NR		2 TO->FROM	G15_031_115	LUBBOCK POWER & LIGHT-CO-OP - LUBBOCK POWER & LIGHT-WADSWORTH 69KV CKT 1	141.2	0.00659	100.9044	LUBBOCK POWER & LIGHT-HOLLY GEN - LUBBOCK POWER & LIGHT-SOUTHEAST 69KV CKT 1
25SP	00NR		2 TO->FROM	G15_031_115	LUBBOCK POWER & LIGHT-CO-OP - LUBBOCK POWER & LIGHT-WADSWORTH 69KV CKT 1	141.2	0.00743	100.5163	LUBBOCK POWER & LIGHT-CHALKER - LUBBOCK POWER & LIGHT-OLIVER 69KV CKT 1
25SP	00NR		2 TO->FROM	G15_031_115	LUBBOCK POWER & LIGHT-SLATON - LUBBOCK POWER & LIGHT-SOUTHEAST 69KV CKT 1	143	0.00732	121.186	LUBBOCK POWER & LIGHT-CO-OP - LUBBOCK POWER & LIGHT-WADSWORTH 69KV CKT 1
20SP	00NR		2 TO->FROM	G15_031_115	LUBBOCK POWER & LIGHT-SLATON - LUBBOCK POWER & LIGHT-SOUTHEAST 69KV CKT 1	142.8	0.0099	110.8333	LUBBOCK POWER & LIGHT-CO-OP - LUBBOCK POWER & LIGHT-WADSWORTH 69KV CKT 1
20SP	00NR		2 TO->FROM	G15_031_115	LUBBOCK POWER & LIGHT-SLATON - LUBBOCK POWER & LIGHT-SOUTHEAST 69KV CKT 1	142.8	0.00593	109.0189	LUBBOCK POWER & LIGHT-OLIVER - LUBBOCK POWER & LIGHT-SOUTHEAST 69KV CKT 1
15G	06ALL		2 FROM->TO	G15_031_115	MANHATTAN TAP - OSAGE SWITCHING STATION 115KV CKT 1	159.8	0.06627	103.4368	OSAGE SWITCHING STATION - RANDALL COUNTY INTERCHANGE 115KV CKT 1
15G	06ALL		2 TO->FROM	G15_031_115	MANHATTAN TAP - RANDALL COUNTY INTERCHANGE 115KV CKT 1	159.4	0.11181	129.3915	OSAGE SWITCHING STATION - RANDALL COUNTY INTERCHANGE 115KV CKT 1
20SP	06ALL		2 TO->FROM	G15_031_115	NORGE ROAD - SOUTHWESTERN STATION 138KV CKT 1	135.7	0.01117	110.7384	SOUTHWESTERN STATION - VERDEN 138KV CKT 1
20SP	06ALL		2 TO->FROM	G15_031_115	NORGE ROAD - SOUTHWESTERN STATION 138KV CKT 1	135.7	0.01117	109.2646	NORTH 29TH CHICKASHA - VERDEN 138KV CKT 1
20SP	06ALL		2 TO->FROM	G15_031_115	NORGE ROAD - SOUTHWESTERN STATION 138KV CKT 1	135.7	0.01596	106.3493	CIMARRON - MINCO 345KV CKT 1
20SP	06ALL		2 TO->FROM	G15_031_115	NORGE ROAD - SOUTHWESTERN STATION 138KV CKT 1	135.7	0.01117	106.1695	CORNVILLE - NORTH 29TH CHICKASHA 138KV CKT 1
20SP	06ALL		2 TO->FROM	G15_031_115	NORGE ROAD - SOUTHWESTERN STATION 138KV CKT 1	135.7	0.01035	104.112	ANADARKO - CORN TAP 138KV CKT 1
20SP	06ALL		2 TO->FROM	G15_031_115	NORGE ROAD - SOUTHWESTERN STATION 138KV CKT 1	135.7	0.01596	102.8121	GRACEMONT - MINCO 345KV CKT 1
25SP	06ALL		2 TO->FROM	G15_031_115	NORGE ROAD - SOUTHWESTERN STATION 138KV CKT 1	135.8	0.01073	100.0751	SOUTHWESTERN STATION - VERDEN 138KV CKT 1
15G	06ALL		2 TO->FROM	G15_031_115	OSAGE SWITCHING STATION - RANDALL COUNTY INTERCHANGE 115KV CKT 1	159.5	0.10945	127.4846	MANHATTAN TAP - RANDALL COUNTY INTERCHANGE 115KV CKT 1
15G	06ALL		2 TO->FROM	G15_031_115	OSAGE SWITCHING STATION - RANDALL COUNTY INTERCHANGE 115KV CKT 1	159.5	0.10203	122.3097	SPP-SWPS-V04
15SP	06ALL		2 FROM->TO	G15_031_115	PRINGLE INTERCHANGE - SPEARMAN INTERCHANGE 115KV CKT 1	159.7	0.03794	105.1384	PRINGLE INTERCHANGE - SPEARMAN INTERCHANGE 115KV CKT 2
15G	06ALL		2 FROM->TO	G15_031_115	PRINGLE INTERCHANGE - SPEARMAN INTERCHANGE 115KV CKT 1	158.4	0.03676	104.0619	PRINGLE INTERCHANGE - SPEARMAN INTERCHANGE 115KV CKT 2
15G	06ALL		2 FROM->TO	G15_031_115	SHAMROCK (SHAMRCK1) 115/69/14.4KV TRANSFORMER CKT 1	66	0.0139	106.5242	CHISHOLM6 230.00 - SWEETWATER 230KV CKT 1
15G	06ALL		2 FROM->TO	G15_031_115	SHAMROCK (SHAMRCK1) 115/69/14.4KV TRANSFORMER CKT 1	66	0.0126	106	HWRDWCK2 69.000 - JERICHO 69KV CKT 1
15G	06ALL		2 FROM->TO	G15_031_115	SHAMROCK (SHAMRCK1) 115/69/14.4KV TRANSFORMER CKT 1	66	0.0126	106	JERICHO - KIRBY SWITCHING STATION 115KV CKT 1
15G	06ALL		2 FROM->TO	G15_031_115	SHAMROCK (SHAMRCK1) 115/69/14.4KV TRANSFORMER CKT 1	66	0.0126	106	JERICHO (JERIC2WT) 115/69/14.4KV TRANSFORMER CKT 1
15G	06ALL		2 FROM->TO	G15_031_115	SHAMROCK (SHAMRCK1) 115/69/14.4KV TRANSFORMER CKT 1	66	0.0126	105.2424	CLARENDON - HWRDWCK2 69.000 69KV CKT 1
15G	06ALL		2 FROM->TO	G15_031_115	SHAMROCK (SHAMRCK1) 115/69/14.4KV TRANSFORMER CKT 1	67.1	0.0139	104.927	CHISHOLM6 230.00 - SWEETWATER 230KV CKT 1
15G	06ALL		2 FROM->TO	G15_031_115	SHAMROCK (SHAMRCK1) 115/69/14.4KV TRANSFORMER CKT 1	66	0.01353	104.8909	G14-074T 345.00 - OKLAUNION 345KV CKT 1

SEASON	GROUP	SCENARIO	DIRECTION	SOURCE	MONITORED ELEMENT	RATE (MVA)	TDF	CONTINGENCY		CONTINGENCY
								LOADING %		
15G	06ALL	2	FROM->TO	G15_031_115	SHAMROCK (SHAMRCK1) 115/69/14.4KV TRANSFORMER CKT 1	67.1	0.0126	104.4113	HWRDWCK2 69.000 - JERICO 69KV CKT 1	
15G	06ALL	2	FROM->TO	G15_031_115	SHAMROCK (SHAMRCK1) 115/69/14.4KV TRANSFORMER CKT 1	67.1	0.0126	104.4113	JERICO - KIRBY SWITCHING STATION 115KV CKT 1	
15G	06ALL	2	FROM->TO	G15_031_115	SHAMROCK (SHAMRCK1) 115/69/14.4KV TRANSFORMER CKT 1	67.1	0.0126	104.4113	JERICO (JERIC2WT) 115/69/14.4KV TRANSFORMER CKT 1	
15G	06ALL	2	FROM->TO	G15_031_115	SHAMROCK (SHAMRCK1) 115/69/14.4KV TRANSFORMER CKT 1	66	0.0139	104.2515	GRAPEVINE INTERCHANGE - STATELINE INTERCHANGE 230KV CKT 1	
15G	06ALL	2	FROM->TO	G15_031_115	SHAMROCK (SHAMRCK1) 115/69/14.4KV TRANSFORMER CKT 1	67.1	0.0126	103.6662	CLARENDON - HWRDWCK2 69.000 69KV CKT 1	
15G	06ALL	2	FROM->TO	G15_031_115	SHAMROCK (SHAMRCK1) 115/69/14.4KV TRANSFORMER CKT 1	66	0.0127	103.6121	CHISHOLM6 230.00 - ELK CITY 230KV 230KV CKT 1	
15G	06ALL	2	FROM->TO	G15_031_115	SHAMROCK (SHAMRCK1) 115/69/14.4KV TRANSFORMER CKT 1	66	0.0127	103.6121	ELK CITY 230KV (ELKCTY-6) 230/138/13.8KV TRANSFORMER CKT 1	
15G	06ALL	2	FROM->TO	G15_031_115	SHAMROCK (SHAMRCK1) 115/69/14.4KV TRANSFORMER CKT 1	66	0.01308	103.4939	CHISHOLM7 345.00 - GRACEMONT 345KV CKT 1	
15G	06ALL	2	FROM->TO	G15_031_115	SHAMROCK (SHAMRCK1) 115/69/14.4KV TRANSFORMER CKT 1	67.1	0.01353	103.3204	G14-074T 345.00 - OKLAUNION 345KV CKT 1	
15G	06ALL	2	FROM->TO	G15_031_115	SHAMROCK (SHAMRCK1) 115/69/14.4KV TRANSFORMER CKT 1	67.1	0.0139	102.8405	GRAPEVINE INTERCHANGE - STATELINE INTERCHANGE 230KV CKT 1	
15G	06ALL	2	FROM->TO	G15_031_115	SHAMROCK (SHAMRCK1) 115/69/14.4KV TRANSFORMER CKT 1	66	0.0126	102.2121	CLARENDON - CLARENDON REC 69KV CKT 1	
15G	06ALL	2	FROM->TO	G15_031_115	SHAMROCK (SHAMRCK1) 115/69/14.4KV TRANSFORMER CKT 1	67.1	0.0127	102.0626	CHISHOLM6 230.00 - ELK CITY 230KV 230KV CKT 1	
15G	06ALL	2	FROM->TO	G15_031_115	SHAMROCK (SHAMRCK1) 115/69/14.4KV TRANSFORMER CKT 1	67.1	0.0127	102.0626	ELK CITY 230KV (ELKCTY-6) 230/138/13.8KV TRANSFORMER CKT 1	
15G	06ALL	2	FROM->TO	G15_031_115	SHAMROCK (SHAMRCK1) 115/69/14.4KV TRANSFORMER CKT 1	67.1	0.01308	101.9464	CHISHOLM7 345.00 - GRACEMONT 345KV CKT 1	
15G	06ALL	2	FROM->TO	G15_031_115	SHAMROCK (SHAMRCK1) 115/69/14.4KV TRANSFORMER CKT 1	66	0.01353	101.5576	G14-074T 345.00 - TUCO INTERCHANGE 345KV CKT 1	
15G	06ALL	2	FROM->TO	G15_031_115	SHAMROCK (SHAMRCK1) 115/69/14.4KV TRANSFORMER CKT 1	66	0.0126	101	CLARENDON REC - HEDLEY 69KV CKT 1	
15G	06ALL	2	FROM->TO	G15_031_115	SHAMROCK (SHAMRCK1) 115/69/14.4KV TRANSFORMER CKT 1	66	0.01248	100.7212	DBL-G1114-WWRD	
15G	06ALL	2	FROM->TO	G15_031_115	SHAMROCK (SHAMRCK1) 115/69/14.4KV TRANSFORMER CKT 1	67.1	0.0126	100.6855	CLARENDON - CLARENDON REC 69KV CKT 1	
15G	06ALL	2	FROM->TO	G15_031_115	SHAMROCK (SHAMRCK1) 115/69/14.4KV TRANSFORMER CKT 1	66	0.0139	100.6151	SPP-SWPS-02	
15G	06ALL	2	FROM->TO	G15_031_115	SHAMROCK (SHAMRCK1) 115/69/14.4KV TRANSFORMER CKT 1	66	0.0139	100.6151	STATELINE INTERCHANGE - STLN-DEMARC6 230KV CKT 1	
15G	06ALL	2	FROM->TO	G15_031_115	SHAMROCK (SHAMRCK1) 115/69/14.4KV TRANSFORMER CKT 1	66	0.0139	100.6151	STLN-DEMARC6 - SWEETWATER 230KV CKT 1	
15SP	06ALL	2	FROM->TO	G15_031_115	SHAMROCK (SHAMRCK1) 115/69/14.4KV TRANSFORMER CKT 1	67.2	0.01246	100.375	HWRDWCK2 69.000 - JERICO 69KV CKT 1	
15SP	06ALL	2	FROM->TO	G15_031_115	SHAMROCK (SHAMRCK1) 115/69/14.4KV TRANSFORMER CKT 1	67.2	0.01246	100.375	JERICO - KIRBY SWITCHING STATION 115KV CKT 1	
15SP	06ALL	2	FROM->TO	G15_031_115	SHAMROCK (SHAMRCK1) 115/69/14.4KV TRANSFORMER CKT 1	67.2	0.01246	100.375	JERICO (JERIC2WT) 115/69/14.4KV TRANSFORMER CKT 1	
15G	06ALL	2	FROM->TO	G15_031_115	SHAMROCK (SHAMRCK1) 115/69/14.4KV TRANSFORMER CKT 1	66	0.01248	100.1151	DBL-BVR-G1114	
15G	06ALL	2	FROM->TO	G15_031_115	SHAMROCK (SHAMRCK1) 115/69/14.4KV TRANSFORMER CKT 1	66	0.0126	100.0909	HEDLEY - NORTH MEMPHIS REC 69KV CKT 1	
15G	06ALL	2	FROM->TO	G15_031_115	SHAMROCK (SHAMRCK1) 115/69/14.4KV TRANSFORMER CKT 1	67.1	0.01353	100.0417	G14-074T 345.00 - TUCO INTERCHANGE 345KV CKT 1	
20WP	06ALL	2	TO->FROM	G15_031_115	SUNSHINE CANYON - TUTTLE 138KV CKT 1	140.9	0.02088	108.89	CIMARRON - MINCO 345KV CKT 1	
20SP	06ALL	2	TO->FROM	G15_031_115	SUNSHINE CANYON - TUTTLE 138KV CKT 1	141.6	0.0219	104.6172	CIMARRON - MINCO 345KV CKT 1	
20WP	06ALL	2	TO->FROM	G15_031_115	SUNSHINE CANYON - TUTTLE 138KV CKT 1	140.9	0.02088	104.2058	GRACEMONT - MINCO 345KV CKT 1	
15SP	06ALL	2	TO->FROM	G15_031_115	SUNSHINE CANYON - TUTTLE 138KV CKT 1	141.6	0.02325	103.9887	CIMARRON - MINCO 345KV CKT 1	
15SP	06ALL	2	FROM->TO	G15_031_115	THOMAS TAP - WEATHERFORD 69KV CKT 1	39	0.00794	114.2974	CLINTON JUNCTION - CLINTON NATURAL GAS TAP 138KV CKT 1	
15G	06ALL	2	FROM->TO	G15_031_115	TUCO INTERCHANGE (GE M1022338) 345/230/13.2KV TRANSFORMER CKT 1	555.2	0.16405	101.522	TUCO INTERCHANGE (SIEM 8743066) 345/230/13.2KV TRANSFORMER CKT 2	
15G	06ALL	2	FROM->TO	G15_031_115	TUCO INTERCHANGE (GE M1022338) 345/230/13.2KV TRANSFORMER CKT 1	557.4	0.16405	101.0495	TUCO INTERCHANGE (SIEM 8743066) 345/230/13.2KV TRANSFORMER CKT 2	
20WP	06ALL	2	TO->FROM	G15_031_115	TUCO_2 345.00 (TUCO_2 XFMR) 345/230/13.2KV TRANSFORMER CKT 1	559.5	0.17267	110.1644	TUCO INTERCHANGE - TUCO_2 345.00 345KV CKT 1	
20WP	06ALL	2	TO->FROM	G15_031_115	TUCO_2 345.00 (TUCO_2 XFMR) 345/230/13.2KV TRANSFORMER CKT 1	559.9	0.17267	110.05	TUCO INTERCHANGE - TUCO_2 345.00 345KV CKT 1	
15G	06ALL	2	FROM->TO	G15_031_115	WICHITA (WICH TX-12) 345/138/13.8KV TRANSFORMER CKT 1	413.2	0.01235	106.6679	WICHITA (WICH TX-11) 345/138/13.8KV TRANSFORMER CKT 1	
15G	06ALL	2	FROM->TO	G15_031_115	WICHITA (WICH TX-12) 345/138/13.8KV TRANSFORMER CKT 1	419.7	0.01235	104.8968	WICHITA (WICH TX-11) 345/138/13.8KV TRANSFORMER CKT 1	
15WP	06ALL	2	FROM->TO	G15_031_115	WICHITA (WICH TX-12) 345/138/13.8KV TRANSFORMER CKT 1	414.2	0.01201	102.4017	WICHITA (WICH TX-11) 345/138/13.8KV TRANSFORMER CKT 1	
15WP	06ALL	2	FROM->TO	G15_031_115	WICHITA (WICH TX-12) 345/138/13.8KV TRANSFORMER CKT 1	420.2	0.01201	100.8206	WICHITA (WICH TX-11) 345/138/13.8KV TRANSFORMER CKT 1	
25SP	00NR	2	FROM->TO	G15_031_115	WOLFFORTH INTERCHANGE (WH 7001668) 230/115/13.2KV TRANSFORMER CKT 1	140.3	0.02003	100.7904	CARLISLE INTERCHANGE - LP-DOUD_TP 3115.00 115KV CKT 1	
15G	06ALL	2	FROM->TO	G15_031_115	WOODWARD (WOODWRD2) 138/69/13.2KV TRANSFORMER CKT 1	133.3	0.01054	100.0675	FPL SWITCH - MOORELAND 138KV CKT 1	
20SP	06ALL	3	FROM->TO	G15_031_115	ANADARKO - CORN TAP 138KV CKT 1	142.8	0.01487	100.1835	CIMARRON - MINCO 345KV CKT 1	
15G	06ALL	3	TO->FROM	G15_031_115	ANADARKO - GRACMNT4 138.00 138KV CKT 1	225.1	0.05388	127.5247	CIMARRON - MINCO 345KV CKT 1	
15G	06ALL	3	TO->FROM	G15_031_115	ANADARKO - GRACMNT4 138.00 138KV CKT 1	225.1	0.05388	119.3505	GRACEMONT - MINCO 345KV CKT 1	
15G	06ALL	3	TO->FROM	G15_031_115	ANADARKO - GRACMNT4 138.00 138KV CKT 1	225.1	0.03049	106.932	SOUTHWESTERN STATION - WASHITA 138KV CKT 1	
15SP	06ALL	3	FROM->TO	G15_031_115	BENTLEY4 138.00 - HALSTEAD SOUTH BUS 138KV CKT 1	142.2	0.00696	108.2644	RENO COUNTY - WICHITA 345KV CKT 1	
20WP	06ALL	3	FROM->TO	G15_031_115	CLEARWATER - GILL ENERGY CENTER WEST 138KV CKT 1	142.9	0.01156	119.4836	GILL ENERGY CENTER SOUTH - VIOLA 4 138.00 138KV CKT 1	
20SP	06ALL	3	FROM->TO	G15_031_115	CLEARWATER - GILL ENERGY CENTER WEST 138KV CKT 1	142.2	0.0139	102.4233	GILL ENERGY CENTER SOUTH - VIOLA 4 138.00 138KV CKT 1	
15SP	06ALL	3	TO->FROM	G15_031_115	CLINTON CITY - FOSS TAP 69KV CKT 1	74.5	0.00793	103.4497	CLINTON JUNCTION - CLINTON NATURAL GAS TAP 138KV CKT 1	
15SP	06ALL	3	FROM->TO	G15_031_115	CLINTON CITY - THOMAS TAP 69KV CKT 1	38.9	0.00793	125.6298	CLINTON JUNCTION - CLINTON NATURAL GAS TAP 138KV CKT 1	
20SP	06ALL	3	FROM->TO	G15_031_115	CLINTON CITY - THOMAS TAP 69KV CKT 1	39	0.00758	102.959	CLINTON JUNCTION - CLINTON NATURAL GAS TAP 138KV CKT 1	
15G	06ALL	3	FROM->TO	G15_031_115	CLINTON CITY - THOMAS TAP 69KV CKT 1	47.9	0.00772	101.1232	CLINTON JUNCTION - CLINTON NATURAL GAS TAP 138KV CKT 1	
15SP	06ALL	3	TO->FROM	G15_031_115	CLINTON JUNCTION - ELK CITY 138KV CKT 1	148.8	0.04273	140.7016	CHISHOLM7 345.00 - GRACEMONT 345KV CKT 1	
15G	06ALL	3	TO->FROM	G15_031_115	CLINTON JUNCTION - ELK CITY 138KV CKT 1	185.1	0.04129	124.1459	CHISHOLM7 345.00 - GRACEMONT 345KV CKT 1	
15SP	06ALL	3	TO->FROM	G15_031_115	CLINTON JUNCTION - ELK CITY 138KV CKT 1	148.8	0.03623	122.8038	G14-074T 345.00 - OKLAUNION 345KV CKT 1	
15SP	06ALL	3	TO->FROM	G15_031_115	CLINTON JUNCTION - ELK CITY 138KV CKT 1	148.8	0.02212	120.3804	ONEY - WASHITA 138KV CKT 1	
15SP	06ALL	3	TO->FROM	G15_031_115	CLINTON JUNCTION - ELK CITY 138KV CKT 1	148.8	0.03623	118.7715	G14-074T 345.00 - TUCO INTERCHANGE 345KV CKT 1	
15SP	06ALL	3	TO->FROM	G15_031_115	CLINTON JUNCTION - ELK CITY 138KV CKT 1	148.8	0.03266	118.2352	NORTHWEST - TATONGA7 345.00 345KV CKT 1	
15SP	06ALL	3	TO->FROM	G15_031_115	CLINTON JUNCTION - ELK CITY 138KV CKT 1	148.8	0.02212	117.8266	BINGER NIJECT - ONEY 138KV CKT 1	
15SP	06ALL	3	TO->FROM	G15_031_115	CLINTON JUNCTION - ELK CITY 138KV CKT 1	148.8	0.03266	117.7648	SPSCont-05b	
15SP	06ALL	3	TO->FROM	G15_031_115	CLINTON JUNCTION - ELK CITY 138KV CKT 1	148.8	0.03266	117.2943	SPSCont-04	
15SP	06ALL	3	TO->FROM	G15_031_115	CLINTON JUNCTION - ELK CITY 138KV CKT 1	148.8	0.03324	117.1129	DBL-THIS-WWRD	
15SP	06ALL	3	TO->FROM	G15_031_115	CLINTON JUNCTION - ELK CITY 138KV CKT 1	132.4	0.02876	116.2206	BASE CASE	

SEASON	GROUP	SCENARIO	DIRECTION	SOURCE	MONITORED ELEMENT	RATE (MVA)	TDF	CONTINGENCY	
								LOADING %	CONTINGENCY
15SP	06ALL		3 TO->FROM	G15_031_115	CLINTON JUNCTION - ELK CITY 138KV CKT 1	148.8	0.03263	115.6693	CLINTON AIR FORCE BASE TAP - ELK CITY 138KV CKT 1
15SP	06ALL		3 TO->FROM	G15_031_115	CLINTON JUNCTION - ELK CITY 138KV CKT 1	148.8	0.03561	115.3992	CHISHOLM7 345.00 - WOODWARD DISTRICT EHV 345KV CKT 1
15SP	06ALL		3 TO->FROM	G15_031_115	CLINTON JUNCTION - ELK CITY 138KV CKT 1	148.8	0.03263	114.7957	CLINTON AIR FORCE BASE TAP - HOBART JUNCTION 138KV CKT 1
15SP	06ALL		3 TO->FROM	G15_031_115	CLINTON JUNCTION - ELK CITY 138KV CKT 1	148.8	0.03266	113.6653	G11_051T 345.00 - TATONGA7 345.00 345KV CKT 1
15SP	06ALL		3 TO->FROM	G15_031_115	CLINTON JUNCTION - ELK CITY 138KV CKT 1	148.8	0.02212	113.66	BINGER NIUECT - SICKLES 138KV CKT 1
15SP	06ALL		3 TO->FROM	G15_031_115	CLINTON JUNCTION - ELK CITY 138KV CKT 1	148.8	0.02212	113.0551	CLINTON JUNCTION - G07-32T 138.00 138KV CKT 1
15SP	06ALL		3 TO->FROM	G15_031_115	CLINTON JUNCTION - ELK CITY 138KV CKT 1	148.8	0.02876	112.9543	G07-32 138.00 - G07-32T 138.00 138KV CKT 1
15SP	06ALL		3 TO->FROM	G15_031_115	CLINTON JUNCTION - ELK CITY 138KV CKT 1	148.8	0.02876	112.9543	G07-32 138.00 138/34.5KV TRANSFORMER CKT 1
15SP	06ALL		3 TO->FROM	G15_031_115	CLINTON JUNCTION - ELK CITY 138KV CKT 1	148.8	0.02876	112.9543	G07-32 34.500 34.5/12.0KV TRANSFORMER CKT 1
15SP	06ALL		3 TO->FROM	G15_031_115	CLINTON JUNCTION - ELK CITY 138KV CKT 1	148.8	0.02876	111.6102	WASHITA - WEATHERFORD WIND FARM 34 KV 34.5KV CKT 1
15WP	06ALL		3 TO->FROM	G15_031_115	CLINTON JUNCTION - ELK CITY 138KV CKT 1	186.8	0.04366	111.257	CHISHOLM7 345.00 - GRACEMONT 345KV CKT 1
20SP	06ALL		3 TO->FROM	G15_031_115	CLINTON JUNCTION - ELK CITY 138KV CKT 1	151.1	0.04238	109.5658	CHISHOLM7 345.00 - GRACEMONT 345KV CKT 1
20SP	06ALL		3 TO->FROM	G15_031_115	CLINTON JUNCTION - ELK CITY 138KV CKT 1	151.1	0.02201	106.5215	ONEY - WASHITA 138KV CKT 1
15G	06ALL		3 TO->FROM	G15_031_115	CLINTON JUNCTION - ELK CITY 138KV CKT 1	185.1	0.03493	105.7482	G14-074T 345.00 - OKLAUNION 345KV CKT 1
20SP	06ALL		3 TO->FROM	G15_031_115	CLINTON JUNCTION - ELK CITY 138KV CKT 1	151.1	0.02201	103.9404	BINGER NIUECT - ONEY 138KV CKT 1
20WP	06ALL		3 TO->FROM	G15_031_115	CLINTON JUNCTION - ELK CITY 138KV CKT 1	187.5	0.04181	102.8299	CHISHOLM7 345.00 - GRACEMONT 345KV CKT 1
15G	06ALL		3 TO->FROM	G15_031_115	CLINTON JUNCTION - ELK CITY 138KV CKT 1	185.1	0.03493	102.6688	G14-074T 345.00 - TUCO INTERCHANGE 345KV CKT 1
15G	06ALL		3 TO->FROM	G15_031_115	CLINTON JUNCTION - ELK CITY 138KV CKT 1	185.1	0.03158	102.4171	NORTHWEST - TATONGA7 345.00 345KV CKT 1
15G	06ALL		3 TO->FROM	G15_031_115	CLINTON JUNCTION - ELK CITY 138KV CKT 1	185.1	0.03158	102.0389	SPSCont-05b
15G	06ALL		3 TO->FROM	G15_031_115	CLINTON JUNCTION - ELK CITY 138KV CKT 1	185.1	0.03158	101.7147	SPSCont-04
15G	06ALL		3 TO->FROM	G15_031_115	CLINTON JUNCTION - ELK CITY 138KV CKT 1	185.1	0.0314	101.5991	CLINTON AIR FORCE BASE TAP - ELK CITY 138KV CKT 1
15G	06ALL		3 TO->FROM	G15_031_115	CLINTON JUNCTION - ELK CITY 138KV CKT 1	185.1	0.0314	100.9508	CLINTON AIR FORCE BASE TAP - HOBART JUNCTION 138KV CKT 1
15G	06ALL		3 TO->FROM	G15_031_115	CLINTON JUNCTION - ELK CITY 138KV CKT 1	185.1	0.03446	100.2798	CHISHOLM7 345.00 - WOODWARD DISTRICT EHV 345KV CKT 1
15G	06ALL		3 TO->FROM	G15_031_115	CLINTON JUNCTION - ELK CITY 138KV CKT 1	185.1	0.03202	100.0648	DBL-THIS-WWRD
15SP	06ALL		3 FROM->TO	G15_031_115	CLINTON JUNCTION - FOSS TAP 69KV CKT 1	74.7	0.00793	104.3775	CLINTON JUNCTION - CLINTON NATURAL GAS TAP 138KV CKT 1
15SP	06ALL		3 TO->FROM	G15_031_115	COMANCHE TAP - TOSCO 69KV CKT 1	39	0.00571	103.8051	G14-057T 345.00 - SUNNYSIDE 345KV CKT 1
15SP	06ALL		3 TO->FROM	G15_031_115	COMANCHE TAP - TOSCO 69KV CKT 1	39	0.00571	100.9846	G14-057T 345.00 - LAWTON EASTSIDE 345KV CKT 1
20WP	06ALL		3 FROM->TO	G15_031_115	CORN TAP - PAYNE 138.00 138KV CKT 1	141.6	0.01796	111.0862	G14-057T 345.00 - SUNNYSIDE 345KV CKT 1
20WP	06ALL		3 FROM->TO	G15_031_115	CORN TAP - PAYNE 138.00 138KV CKT 1	141.6	0.01796	109.3206	G14-057T 345.00 - LAWTON EASTSIDE 345KV CKT 1
15WP	06ALL		3 FROM->TO	G15_031_115	CORN TAP - PAYNE 138.00 138KV CKT 1	141.4	0.01863	109.0523	G14-057T 345.00 - SUNNYSIDE 345KV CKT 1
20WP	06ALL		3 FROM->TO	G15_031_115	CORN TAP - PAYNE 138.00 138KV CKT 1	141.6	0.01826	107.4703	CIMARRON - MINCO 345KV CKT 1
15WP	06ALL		3 FROM->TO	G15_031_115	CORN TAP - PAYNE 138.00 138KV CKT 1	141.4	0.01863	107.2843	G14-057T 345.00 - LAWTON EASTSIDE 345KV CKT 1
20WP	06ALL		3 FROM->TO	G15_031_115	CORN TAP - PAYNE 138.00 138KV CKT 1	141.6	0.01426	105.7217	ANADARKO - BLANCHARD 138KV CKT 1
20WP	06ALL		3 FROM->TO	G15_031_115	CORN TAP - PAYNE 138.00 138KV CKT 1	141.6	0.01826	104.363	GRACEMONT - MINCO 345KV CKT 1
20WP	06ALL		3 FROM->TO	G15_031_115	CORN TAP - PAYNE 138.00 138KV CKT 1	141.6	0.01426	103.815	BLANCHARD - OUSW4 138KV CKT 1
15WP	06ALL		3 FROM->TO	G15_031_115	CORN TAP - PAYNE 138.00 138KV CKT 1	141.4	0.01905	101.9505	CIMARRON - MINCO 345KV CKT 1
15WP	06ALL		3 FROM->TO	G15_031_115	CORN TAP - PAYNE 138.00 138KV CKT 1	141.4	0.01485	100.6096	ANADARKO - BLANCHARD 138KV CKT 1
15SP	06ALL		3 FROM->TO	G15_031_115	DUNCAN - TOSCO 69KV CKT 1	38.9	0.00571	108.1851	G14-057T 345.00 - SUNNYSIDE 345KV CKT 1
15SP	06ALL		3 FROM->TO	G15_031_115	DUNCAN - TOSCO 69KV CKT 1	38.9	0.00571	105.3573	G14-057T 345.00 - LAWTON EASTSIDE 345KV CKT 1
15WP	06ALL		3 FROM->TO	G15_031_115	DUNCAN - TOSCO 69KV CKT 1	47.8	0.00591	100.8326	G14-057T 345.00 - SUNNYSIDE 345KV CKT 1
20WP	06ALL		3 FROM->TO	G15_031_115	DUNCAN - TOSCO 69KV CKT 1	47.9	0.00554	100.5887	G14-057T 345.00 - SUNNYSIDE 345KV CKT 1
15SP	06ALL		3 TO->FROM	G15_031_115	EARLSBORO 4138.00 - MAUD 138KV CKT 1	97.7	0.00724	106.0594	MAUD (MAUD1) 138/69/13.2KV TRANSFORMER CKT 1
15SP	06ALL		3 TO->FROM	G15_031_115	EARLSBORO 4138.00 - MAUD 138KV CKT 1	97.7	0.00704	100.9212	CANADIAN RIVER - MCALESTER SOUTH 138KV CKT 1
15SP	06ALL		3 TO->FROM	G15_031_115	EARLSBORO 4138.00 - MAUD 138KV CKT 1	97.7	0.00695	100.9212	SPP-SWPS-T54
25SP	06ALL		3 FROM->TO	G15_031_115	EDDY_NORTH 6230.00 (WAWK WT01134) 230/115/13.2KV TRANSFORMER CKT 2	285	0.00619	104.6751	EDDY COUNTY INTERCHANGE - EDDY_NORTH 6230.00 230KV CKT @1
25SP	06ALL		3 FROM->TO	G15_031_115	EDDY_NORTH 6230.00 (WAWK WT01134) 230/115/13.2KV TRANSFORMER CKT 2	286.3	0.00619	104.095	EDDY COUNTY INTERCHANGE - EDDY_NORTH 6230.00 230KV CKT @1
15G	06ALL		3 FROM->TO	G15_031_115	ELDORADO - ELDORADO JCT 69KV CKT 1	26.9	0.00843	102.0892	LAKE PAULINE - RUSSELL 138KV CKT 1
15SP	06ALL		3 FROM->TO	G15_031_115	ELK CITY 230KV (ELKCTY-6) 230/138/13.8KV TRANSFORMER CKT 1	446.4	0.10168	117.1214	CHISHOLM7 345.00 - GRACEMONT 345KV CKT 1
15G	06ALL		3 FROM->TO	G15_031_115	ELK CITY 230KV (ELKCTY-6) 230/138/13.8KV TRANSFORMER CKT 1	446.9	0.09607	117.1005	CHISHOLM7 345.00 - GRACEMONT 345KV CKT 1
15G	06ALL		3 FROM->TO	G15_031_115	ELK CITY 230KV (ELKCTY-6) 230/138/13.8KV TRANSFORMER CKT 1	449.3	0.09607	116.564	CHISHOLM7 345.00 - GRACEMONT 345KV CKT 1
15SP	06ALL		3 FROM->TO	G15_031_115	ELK CITY 230KV (ELKCTY-6) 230/138/13.8KV TRANSFORMER CKT 1	449.3	0.10168	116.4768	CHISHOLM7 345.00 - GRACEMONT 345KV CKT 1
15WP	06ALL		3 FROM->TO	G15_031_115	ELK CITY 230KV (ELKCTY-6) 230/138/13.8KV TRANSFORMER CKT 1	447.2	0.10451	112.5496	CHISHOLM7 345.00 - GRACEMONT 345KV CKT 1
15WP	06ALL		3 FROM->TO	G15_031_115	ELK CITY 230KV (ELKCTY-6) 230/138/13.8KV TRANSFORMER CKT 1	449.3	0.10451	112.1126	CHISHOLM7 345.00 - GRACEMONT 345KV CKT 1
20WP	06ALL		3 FROM->TO	G15_031_115	ELK CITY 230KV (ELKCTY-6) 230/138/13.8KV TRANSFORMER CKT 1	448.3	0.10039	106.8579	CHISHOLM7 345.00 - GRACEMONT 345KV CKT 1
20WP	06ALL		3 FROM->TO	G15_031_115	ELK CITY 230KV (ELKCTY-6) 230/138/13.8KV TRANSFORMER CKT 1	449.7	0.10039	106.6142	CHISHOLM7 345.00 - GRACEMONT 345KV CKT 1
15SP	06ALL		3 FROM->TO	G15_031_115	ELK CITY 230KV (ELKCTY-6) 230/138/13.8KV TRANSFORMER CKT 1	446.4	0.087	103.5995	G14-074T 345.00 - OKLAUNION 345KV CKT 1
15SP	06ALL		3 FROM->TO	G15_031_115	ELK CITY 230KV (ELKCTY-6) 230/138/13.8KV TRANSFORMER CKT 1	449.3	0.087	103.0421	G14-074T 345.00 - OKLAUNION 345KV CKT 1
15SP	06ALL		3 FROM->TO	G15_031_115	ELK CITY 230KV (ELKCTY-6) 230/138/13.8KV TRANSFORMER CKT 1	446.4	0.09314	101.8212	CHISHOLM7 345.00 - WOODWARD DISTRICT EHV 345KV CKT 1
15SP	06ALL		3 FROM->TO	G15_031_115	ELK CITY 230KV (ELKCTY-6) 230/138/13.8KV TRANSFORMER CKT 1	449.3	0.09314	101.2531	CHISHOLM7 345.00 - WOODWARD DISTRICT EHV 345KV CKT 1
15SP	06ALL		3 FROM->TO	G15_031_115	ELK CITY 230KV (ELKCTY-6) 230/138/13.8KV TRANSFORMER CKT 1	446.4	0.087	100.1496	G14-074T 345.00 - TUCO INTERCHANGE 345KV CKT 1
15G	06ALL		3 FROM->TO	G15_031_115	FPL SWITCH - MOORELAND 138KV CKT 1	284.1	0.04559	119.1644	DBL-THIS-WWRD
15G	06ALL		3 FROM->TO	G15_031_115	FPL SWITCH - MOORELAND 138KV CKT 1	284.1	0.03716	111.6987	NORTHWEST - TATONGA7 345.00 345KV CKT 1
15G	06ALL		3 FROM->TO	G15_031_115	FPL SWITCH - MOORELAND 138KV CKT 1	284.1	0.03716	110.1499	SPSCont-04
15G	06ALL		3 FROM->TO	G15_031_115	FPL SWITCH - MOORELAND 138KV CKT 1	284.1	0.03716	109.9036	SPSCont-05b

SEASON	GROUP	SCENARIO	DIRECTION	SOURCE	MONITORED ELEMENT	RATE (MVA)	TDF	CONTINGENCY		CONTINGENCY
								LOADING %		
15G	06ALL		3	FROM->TO	G15_031_115	FPL SWITCH - MOORELAND 138KV CKT 1	284.1	0.03691	108.3928	CHISHOLM6 230.00 - ELK CITY 230KV 230KV CKT 1
15G	06ALL		3	FROM->TO	G15_031_115	FPL SWITCH - MOORELAND 138KV CKT 1	284.1	0.03691	108.3928	ELK CITY 230KV (ELKCTY-6) 230/138/13.8KV TRANSFORMER CKT 1
15G	06ALL		3	FROM->TO	G15_031_115	FPL SWITCH - MOORELAND 138KV CKT 1	284.1	0.03716	104.7293	G11_051T 345.00 - TATONGA7 345.00 345KV CKT 1
15G	06ALL		3	FROM->TO	G15_031_115	FPL SWITCH - MOORELAND 138KV CKT 1	284.1	0.03716	103.9198	G11_051T 345.00 - WOODWARD DISTRICT EHV 345KV CKT 1
15G	06ALL		3	FROM->TO	G15_031_115	FPL SWITCH - MOORELAND 138KV CKT 1	284.1	0.03716	102.2302	SPSCont-05ax
15G	06ALL		3	FROM->TO	G15_031_115	FPL SWITCH - MOORELAND 138KV CKT 1	284.1	0.02834	102.0401	WOODWARD (WOODWRD2) 138/69/13.2KV TRANSFORMER CKT 1
15G	06ALL		3	TO->FROM	G15_031_115	FPL SWITCH - WOODWARD 138KV CKT 1	285.1	0.04559	112.3627	DBL-THIS-WWRD
15G	06ALL		3	TO->FROM	G15_031_115	FPL SWITCH - WOODWARD 138KV CKT 1	285.1	0.03716	104.9583	NORTHWEST - TATONGA7 345.00 345KV CKT 1
15G	06ALL		3	TO->FROM	G15_031_115	FPL SWITCH - WOODWARD 138KV CKT 1	285.1	0.03716	103.4149	SPSCont-04
15G	06ALL		3	TO->FROM	G15_031_115	FPL SWITCH - WOODWARD 138KV CKT 1	285.1	0.03716	103.1694	SPSCont-05b
15G	06ALL		3	TO->FROM	G15_031_115	FPL SWITCH - WOODWARD 138KV CKT 1	285.1	0.03691	101.664	CHISHOLM6 230.00 - ELK CITY 230KV 230KV CKT 1
15G	06ALL		3	TO->FROM	G15_031_115	FPL SWITCH - WOODWARD 138KV CKT 1	285.1	0.03691	101.664	ELK CITY 230KV (ELKCTY-6) 230/138/13.8KV TRANSFORMER CKT 1
15SP	06ALL		3	TO->FROM	G15_031_115	GLASS MOUNTAIN - MOORELAND 138KV CKT 1	122.3	0.02064	109.2706	DBL-THIS-WWRD
20WP	06ALL		3	TO->FROM	G15_031_115	GLASS MOUNTAIN - MOORELAND 138KV CKT 1	122.3	0.02019	101.287	DBL-THIS-WWRD
15WP	06ALL		3	TO->FROM	G15_031_115	GLASS MOUNTAIN - MOORELAND 138KV CKT 1	122.2	0.02113	100.7676	DBL-THIS-WWRD
15SP	06ALL		3	TO->FROM	G15_031_115	GLASS MOUNTAIN - MOORELAND 138KV CKT 1	122.3	0.01587	100.5576	MOORELAND - NOEL_SW 138.00 138KV CKT 1
15G	06ALL		3	TO->FROM	G15_031_115	GRAPEVINE INTERCHANGE - NICHOLS STATION 230KV CKT 1	350	0.07304	100.2623	GRAPEVINE 345.00 - POTTER COUNTY INTERCHANGE 345KV CKT 1
15G	06ALL		3	TO->FROM	G15_031_115	GRAPEVINE INTERCHANGE - NICHOLS STATION 230KV CKT 1	350	0.06988	100.2189	DBL-G1114-WWRD
15G	06ALL		3	TO->FROM	G15_031_115	GRAPEVINE INTERCHANGE - NICHOLS STATION 230KV CKT 1	350	0.07304	100.0337	CHISHOLM7 345.00 - GRAPEVINE 345.00 345KV CKT 1
15G	06ALL		3	FROM->TO	G15_031_115	Harrington Station East Bus - POTTER COUNTY INTERCHANGE 230KV CKT 1	346.9	0.07112	121.5607	CHERRY1 - HARRINGTON STATION 230KV CKT 1
15G	06ALL		3	FROM->TO	G15_031_115	Harrington Station East Bus - POTTER COUNTY INTERCHANGE 230KV CKT 1	346.9	0.08344	120.1234	CHERRY1 - POTTER COUNTY INTERCHANGE 230KV CKT 1
15G	06ALL		3	TO->FROM	G15_031_115	HAYS PLANT - SOUTH HAYS 115KV CKT 1	98.9	0.00602	115.5066	KNOLL 230 - POSTROCK6 230.00 230KV CKT 1
15SP	06ALL		3	FROM->TO	G15_031_115	HAYS PLANT - VINE STREET 115KV CKT 1	88	0.00577	116.9159	KNOLL 230 - POSTROCK6 230.00 230KV CKT 1
15G	06ALL		3	FROM->TO	G15_031_115	HAYS PLANT - VINE STREET 115KV CKT 1	87.9	0.00602	105.9568	KNOLL 230 - POSTROCK6 230.00 230KV CKT 1
15SP	06ALL		3	FROM->TO	G15_031_115	JERICHO (JERIC2WT) 115/69/14.4KV TRANSFORMER CKT 1	45.6	0.00676	107.4825	KIRBY SWITCHING STATION - MCCLELLAN SUB 115KV CKT 1
15SP	06ALL		3	FROM->TO	G15_031_115	JERICHO (JERIC2WT) 115/69/14.4KV TRANSFORMER CKT 1	45.9	0.00676	106.78	KIRBY SWITCHING STATION - MCCLELLAN SUB 115KV CKT 1
15SP	06ALL		3	FROM->TO	G15_031_115	JERICHO (JERIC2WT) 115/69/14.4KV TRANSFORMER CKT 1	45.6	0.00676	105.9474	MCCLELLAN SUB - MCLEAN RURAL SUB 115KV CKT 1
15SP	06ALL		3	FROM->TO	G15_031_115	JERICHO (JERIC2WT) 115/69/14.4KV TRANSFORMER CKT 1	45.9	0.00676	105.2549	MCCLELLAN SUB - MCLEAN RURAL SUB 115KV CKT 1
15G	06ALL		3	FROM->TO	G15_031_115	JERICHO (JERIC2WT) 115/69/14.4KV TRANSFORMER CKT 1	45.7	0.00682	102.5383	KIRBY SWITCHING STATION - MCCLELLAN SUB 115KV CKT 1
15SP	06ALL		3	FROM->TO	G15_031_115	JERICHO (JERIC2WT) 115/69/14.4KV TRANSFORMER CKT 1	45.6	0.00676	102.4386	SPP-SWPS-T54
15G	06ALL		3	FROM->TO	G15_031_115	JERICHO (JERIC2WT) 115/69/14.4KV TRANSFORMER CKT 1	45.9	0.00682	102.0915	KIRBY SWITCHING STATION - MCCLELLAN SUB 115KV CKT 1
15SP	06ALL		3	FROM->TO	G15_031_115	JERICHO (JERIC2WT) 115/69/14.4KV TRANSFORMER CKT 1	45.9	0.00676	101.7691	SPP-SWPS-T54
15G	06ALL		3	FROM->TO	G15_031_115	JERICHO (JERIC2WT) 115/69/14.4KV TRANSFORMER CKT 1	45.7	0.00682	101.2254	MCCLELLAN SUB - MCLEAN RURAL SUB 115KV CKT 1
15SP	06ALL		3	FROM->TO	G15_031_115	JERICHO (JERIC2WT) 115/69/14.4KV TRANSFORMER CKT 1	45.6	0.00676	100.9035	MCLEAN RURAL SUB - SHAMROCK 115KV CKT 1
15SP	06ALL		3	FROM->TO	G15_031_115	JERICHO (JERIC2WT) 115/69/14.4KV TRANSFORMER CKT 1	45.6	0.00676	100.9035	SHAMROCK (SHAMRCK1) 115/69/14.4KV TRANSFORMER CKT 1
15G	06ALL		3	FROM->TO	G15_031_115	JERICHO (JERIC2WT) 115/69/14.4KV TRANSFORMER CKT 1	45.9	0.00682	100.7843	MCCLELLAN SUB - MCLEAN RURAL SUB 115KV CKT 1
15SP	06ALL		3	FROM->TO	G15_031_115	JERICHO (JERIC2WT) 115/69/14.4KV TRANSFORMER CKT 1	45.9	0.00676	100.244	MCLEAN RURAL SUB - SHAMROCK 115KV CKT 1
15SP	06ALL		3	FROM->TO	G15_031_115	JERICHO (JERIC2WT) 115/69/14.4KV TRANSFORMER CKT 1	45.9	0.00676	100.244	SHAMROCK (SHAMRCK1) 115/69/14.4KV TRANSFORMER CKT 1
25SP	00NR		3	TO->FROM	G15_031_115	LUBBOCK POWER & LIGHT-CO-OP - LUBBOCK POWER & LIGHT-SLATON 69KV CKT 1	53.5	0.00704	154.4149	LUBBOCK POWER & LIGHT-CO-OP - LUBBOCK POWER & LIGHT-WADSWORTH 69KV CKT 1
20SP	00NR		3	TO->FROM	G15_031_115	LUBBOCK POWER & LIGHT-CO-OP - LUBBOCK POWER & LIGHT-SLATON 69KV CKT 1	53.6	0.00981	138.3265	LUBBOCK POWER & LIGHT-CO-OP - LUBBOCK POWER & LIGHT-WADSWORTH 69KV CKT 1
15SP	00NR		3	TO->FROM	G15_031_115	LUBBOCK POWER & LIGHT-CO-OP - LUBBOCK POWER & LIGHT-SLATON 69KV CKT 1	53.9	0.00951	115.3117	LUBBOCK POWER & LIGHT-CO-OP - LUBBOCK POWER & LIGHT-WADSWORTH 69KV CKT 1
20WP	00NR		3	TO->FROM	G15_031_115	LUBBOCK POWER & LIGHT-CO-OP - LUBBOCK POWER & LIGHT-SLATON 69KV CKT 1	53.9	0.016	105.3803	LUBBOCK POWER & LIGHT-CO-OP - LUBBOCK POWER & LIGHT-WADSWORTH 69KV CKT 1
25SP	00NR		3	TO->FROM	G15_031_115	LUBBOCK POWER & LIGHT-CO-OP - LUBBOCK POWER & LIGHT-WADSWORTH 69KV CKT 1	105.6	0.00709	126.9195	BASE CASE
25SP	00NR		3	TO->FROM	G15_031_115	LUBBOCK POWER & LIGHT-CO-OP - LUBBOCK POWER & LIGHT-WADSWORTH 69KV CKT 1	141.2	0.00859	125.4795	LUBBOCK POWER & LIGHT-SLATON - LUBBOCK POWER & LIGHT-SOUTHEAST 69KV CKT 1
25SP	00NR		3	TO->FROM	G15_031_115	LUBBOCK POWER & LIGHT-CO-OP - LUBBOCK POWER & LIGHT-WADSWORTH 69KV CKT 1	141.2	0.00938	116.0864	LUBBOCK POWER & LIGHT-SOUTHEAST - LUBBOCK SOUTH INTERCHANGE 230KV CKT 1
25SP	00NR		3	TO->FROM	G15_031_115	LUBBOCK POWER & LIGHT-CO-OP - LUBBOCK POWER & LIGHT-WADSWORTH 69KV CKT 1	141.2	0.00888	114.2804	LUBBOCK POWER & LIGHT-HOLLY GEN - LUBBOCK POWER & LIGHT-NORTHEAST 69KV CKT 1
20SP	00NR		3	TO->FROM	G15_031_115	LUBBOCK POWER & LIGHT-CO-OP - LUBBOCK POWER & LIGHT-WADSWORTH 69KV CKT 1	108	0.00975	113.6343	BASE CASE
20SP	00NR		3	TO->FROM	G15_031_115	LUBBOCK POWER & LIGHT-CO-OP - LUBBOCK POWER & LIGHT-WADSWORTH 69KV CKT 1	143	0.01176	113.3762	LUBBOCK POWER & LIGHT-SLATON - LUBBOCK POWER & LIGHT-SOUTHEAST 69KV CKT 1
25SP	00NR		3	TO->FROM	G15_031_115	LUBBOCK POWER & LIGHT-CO-OP - LUBBOCK POWER & LIGHT-WADSWORTH 69KV CKT 1	141.2	0.0091	111.0694	CARLISLE INTERCHANGE - LUBBOCK POWER & LIGHT-MILWAUKEE 230KV CKT 1
25SP	00NR		3	TO->FROM	G15_031_115	LUBBOCK POWER & LIGHT-CO-OP - LUBBOCK POWER & LIGHT-WADSWORTH 69KV CKT 1	141.2	0.0091	110.9986	LUBBOCK POWER & LIGHT-MILWAUKEE (M-E C0681251) 230/69/13.5KV TRANSFORMER CKT 1
25SP	00NR		3	TO->FROM	G15_031_115	LUBBOCK POWER & LIGHT-CO-OP - LUBBOCK POWER & LIGHT-WADSWORTH 69KV CKT 1	141.2	0.0091	110.9986	SPP-SWPS-K39
15SP	00NR		3	TO->FROM	G15_031_115	LUBBOCK POWER & LIGHT-CO-OP - LUBBOCK POWER & LIGHT-WADSWORTH 69KV CKT 1	108	0.01051	109.6787	BASE CASE
25SP	00NR		3	TO->FROM	G15_031_115	LUBBOCK POWER & LIGHT-CO-OP - LUBBOCK POWER & LIGHT-WADSWORTH 69KV CKT 1	141.2	0.00735	108.7854	LUBBOCK POWER & LIGHT-OLIVER - LUBBOCK POWER & LIGHT-SOUTHEAST 69KV CKT 1

SEASON	GROUP	SCENARIO	DIRECTION	SOURCE	MONITORED ELEMENT	RATE (MVA)	TDF	CONTINGENCY LOADING %	CONTINGENCY
15SP	00NR		3 TO->FROM	G15_031_115	LUBBOCK POWER & LIGHT-CO-OP - LUBBOCK POWER & LIGHT-WADSWORTH 69KV CKT 1	143	0.01204	104.5538	LUBBOCK POWER & LIGHT-SLATON - LUBBOCK POWER & LIGHT-SOUTHEAST 69KV CKT 1
25SP	00NR		3 TO->FROM	G15_031_115	LUBBOCK POWER & LIGHT-CO-OP - LUBBOCK POWER & LIGHT-WADSWORTH 69KV CKT 1	141.2	0.00888	103.4448	LUBBOCK POWER & LIGHT-MACKENZIE GEN - LUBBOCK POWER & LIGHT-NORTHEAST 69KV CKT 1
20SP	00NR		3 TO->FROM	G15_031_115	LUBBOCK POWER & LIGHT-CO-OP - LUBBOCK POWER & LIGHT-WADSWORTH 69KV CKT 1	143	0.01207	103.3713	LUBBOCK POWER & LIGHT-HOLLY GEN - LUBBOCK POWER & LIGHT-NORTHEAST 69KV CKT 1
20SP	00NR		3 TO->FROM	G15_031_115	LUBBOCK POWER & LIGHT-CO-OP - LUBBOCK POWER & LIGHT-WADSWORTH 69KV CKT 1	143	0.01345	103.3112	LUBBOCK POWER & LIGHT-SOUTHEAST - LUBBOCK SOUTH INTERCHANGE 230KV CKT 1
25SP	00NR		3 TO->FROM	G15_031_115	LUBBOCK POWER & LIGHT-CO-OP - LUBBOCK POWER & LIGHT-WADSWORTH 69KV CKT 1	141.2	0.00795	102.8222	LUBBOCK POWER & LIGHT-SOUTHEAST (ABB 60258) 230/69/13.5KV TRANSFORMER CKT 1
25SP	00NR		3 TO->FROM	G15_031_115	LUBBOCK POWER & LIGHT-CO-OP - LUBBOCK POWER & LIGHT-WADSWORTH 69KV CKT 1	141.2	0.00789	102.3137	LUBBOCK POWER & LIGHT-SOUTHEAST (FRM WADSWRTH) 230/69/13.5KV TRANSFORMER CKT 2
25SP	00NR		3 TO->FROM	G15_031_115	LUBBOCK POWER & LIGHT-CO-OP - LUBBOCK POWER & LIGHT-WADSWORTH 69KV CKT 1	141.2	0.00742	101.5765	LUBBOCK POWER & LIGHT-CHALKER - LUBBOCK POWER & LIGHT-THOMPSON 69KV CKT 1
25SP	00NR		3 TO->FROM	G15_031_115	LUBBOCK POWER & LIGHT-CO-OP - LUBBOCK POWER & LIGHT-WADSWORTH 69KV CKT 1	141.2	0.00651	100.8874	LUBBOCK POWER & LIGHT-HOLLY GEN - LUBBOCK POWER & LIGHT-SOUTHEAST 69KV CKT 1
25SP	00NR		3 TO->FROM	G15_031_115	LUBBOCK POWER & LIGHT-CO-OP - LUBBOCK POWER & LIGHT-WADSWORTH 69KV CKT 1	141.2	0.00735	100.5701	LUBBOCK POWER & LIGHT-CHALKER - LUBBOCK POWER & LIGHT-OLIVER 69KV CKT 1
25SP	00NR		3 TO->FROM	G15_031_115	LUBBOCK POWER & LIGHT-SLATON - LUBBOCK POWER & LIGHT-SOUTHEAST 69KV CKT 1	143	0.00727	121.1755	LUBBOCK POWER & LIGHT-CO-OP - LUBBOCK POWER & LIGHT-WADSWORTH 69KV CKT 1
20SP	00NR		3 TO->FROM	G15_031_115	LUBBOCK POWER & LIGHT-SLATON - LUBBOCK POWER & LIGHT-SOUTHEAST 69KV CKT 1	142.8	0.00985	110.8228	LUBBOCK POWER & LIGHT-CO-OP - LUBBOCK POWER & LIGHT-WADSWORTH 69KV CKT 1
20SP	00NR		3 TO->FROM	G15_031_115	LUBBOCK POWER & LIGHT-SLATON - LUBBOCK POWER & LIGHT-SOUTHEAST 69KV CKT 1	142.8	0.00591	109.0147	LUBBOCK POWER & LIGHT-OLIVER - LUBBOCK POWER & LIGHT-SOUTHEAST 69KV CKT 1
20SP	06ALL		3 TO->FROM	G15_031_115	NORGE ROAD - SOUTHWESTERN STATION 138KV CKT 1	135.7	0.01118	110.7428	SOUTHWESTERN STATION - VERDEN 138KV CKT 1
20SP	06ALL		3 TO->FROM	G15_031_115	NORGE ROAD - SOUTHWESTERN STATION 138KV CKT 1	135.7	0.01118	109.2699	NORTH 29TH CHICKASHA - VERDEN 138KV CKT 1
20SP	06ALL		3 TO->FROM	G15_031_115	NORGE ROAD - SOUTHWESTERN STATION 138KV CKT 1	135.7	0.01599	106.3581	CIMARRON - MINCO 345KV CKT 1
20SP	06ALL		3 TO->FROM	G15_031_115	NORGE ROAD - SOUTHWESTERN STATION 138KV CKT 1	135.7	0.01118	106.1739	CORNVILLE - NORTH 29TH CHICKASHA 138KV CKT 1
20SP	06ALL		3 TO->FROM	G15_031_115	NORGE ROAD - SOUTHWESTERN STATION 138KV CKT 1	135.7	0.01036	104.1164	ANADARKO - CORN TAP 138KV CKT 1
20SP	06ALL		3 TO->FROM	G15_031_115	NORGE ROAD - SOUTHWESTERN STATION 138KV CKT 1	135.7	0.01599	102.8209	GRACEMONT - MINCO 345KV CKT 1
25SP	06ALL		3 TO->FROM	G15_031_115	NORGE ROAD - SOUTHWESTERN STATION 138KV CKT 1	135.8	0.01075	100.0839	SOUTHWESTERN STATION - VERDEN 138KV CKT 1
15SP	06ALL		3 FROM->TO	G15_031_115	PRINGLE INTERCHANGE - SPEARMAN INTERCHANGE 115KV CKT 1	159.7	0.03764	105.1108	PRINGLE INTERCHANGE - SPEARMAN INTERCHANGE 115KV CKT 2
15G	06ALL		3 FROM->TO	G15_031_115	PRINGLE INTERCHANGE - SPEARMAN INTERCHANGE 115KV CKT 1	158.4	0.0363	103.8321	PRINGLE INTERCHANGE - SPEARMAN INTERCHANGE 115KV CKT 2
15G	06ALL		3 FROM->TO	G15_031_115	SHAMROCK (SHAMRCK1) 115/69/14.4KV TRANSFORMER CKT 1	66	0.01371	106.3606	CHISHOLM6 230.00 - SWEETWATER 230KV CKT 1
15G	06ALL		3 FROM->TO	G15_031_115	SHAMROCK (SHAMRCK1) 115/69/14.4KV TRANSFORMER CKT 1	66	0.01243	105.8545	HWRDWCK2 69.000 - JERICO 69KV CKT 1
15G	06ALL		3 FROM->TO	G15_031_115	SHAMROCK (SHAMRCK1) 115/69/14.4KV TRANSFORMER CKT 1	66	0.01243	105.8545	JERICO - KIRBY SWITCHING STATION 115KV CKT 1
15G	06ALL		3 FROM->TO	G15_031_115	SHAMROCK (SHAMRCK1) 115/69/14.4KV TRANSFORMER CKT 1	66	0.01243	105.8545	JERICO (JERIC2WT) 115/69/14.4KV TRANSFORMER CKT 1
15G	06ALL		3 FROM->TO	G15_031_115	SHAMROCK (SHAMRCK1) 115/69/14.4KV TRANSFORMER CKT 1	66	0.01243	105.097	CLARENDON - HWRDWCK2 69.000 69KV CKT 1
15G	06ALL		3 FROM->TO	G15_031_115	SHAMROCK (SHAMRCK1) 115/69/14.4KV TRANSFORMER CKT 1	66	0.0134	104.7818	G14-074T 345.00 - OKLAUNION 345KV CKT 1
15G	06ALL		3 FROM->TO	G15_031_115	SHAMROCK (SHAMRCK1) 115/69/14.4KV TRANSFORMER CKT 1	67.1	0.01371	104.766	CHISHOLM6 230.00 - SWEETWATER 230KV CKT 1
15G	06ALL		3 FROM->TO	G15_031_115	SHAMROCK (SHAMRCK1) 115/69/14.4KV TRANSFORMER CKT 1	67.1	0.01243	104.2683	HWRDWCK2 69.000 - JERICO 69KV CKT 1
15G	06ALL		3 FROM->TO	G15_031_115	SHAMROCK (SHAMRCK1) 115/69/14.4KV TRANSFORMER CKT 1	67.1	0.01243	104.2683	JERICO - KIRBY SWITCHING STATION 115KV CKT 1
15G	06ALL		3 FROM->TO	G15_031_115	SHAMROCK (SHAMRCK1) 115/69/14.4KV TRANSFORMER CKT 1	67.1	0.01243	104.2683	JERICO (JERIC2WT) 115/69/14.4KV TRANSFORMER CKT 1
15G	06ALL		3 FROM->TO	G15_031_115	SHAMROCK (SHAMRCK1) 115/69/14.4KV TRANSFORMER CKT 1	66	0.01371	104.0879	GRAPEVINE INTERCHANGE - STATELINE INTERCHANGE 230KV CKT 1
15G	06ALL		3 FROM->TO	G15_031_115	SHAMROCK (SHAMRCK1) 115/69/14.4KV TRANSFORMER CKT 1	67.1	0.01243	103.5231	CLARENDON - HWRDWCK2 69.000 69KV CKT 1
15G	06ALL		3 FROM->TO	G15_031_115	SHAMROCK (SHAMRCK1) 115/69/14.4KV TRANSFORMER CKT 1	66	0.01255	103.4849	CHISHOLM6 230.00 - ELK CITY 230KV 230KV CKT 1
15G	06ALL		3 FROM->TO	G15_031_115	SHAMROCK (SHAMRCK1) 115/69/14.4KV TRANSFORMER CKT 1	66	0.01255	103.4849	ELK CITY 230KV (ELKCTY-6) 230/138/13.8KV TRANSFORMER CKT 1
15G	06ALL		3 FROM->TO	G15_031_115	SHAMROCK (SHAMRCK1) 115/69/14.4KV TRANSFORMER CKT 1	66	0.01293	103.3667	CHISHOLM7 345.00 - GRACEMONT 345KV CKT 1
15G	06ALL		3 FROM->TO	G15_031_115	SHAMROCK (SHAMRCK1) 115/69/14.4KV TRANSFORMER CKT 1	67.1	0.0134	103.2131	G14-074T 345.00 - OKLAUNION 345KV CKT 1
15G	06ALL		3 FROM->TO	G15_031_115	SHAMROCK (SHAMRCK1) 115/69/14.4KV TRANSFORMER CKT 1	67.1	0.01371	102.5306	GRAPEVINE INTERCHANGE - STATELINE INTERCHANGE 230KV CKT 1
15G	06ALL		3 FROM->TO	G15_031_115	SHAMROCK (SHAMRCK1) 115/69/14.4KV TRANSFORMER CKT 1	66	0.01243	102.0667	CLARENDON - CLARENDON REC 69KV CKT 1
15G	06ALL		3 FROM->TO	G15_031_115	SHAMROCK (SHAMRCK1) 115/69/14.4KV TRANSFORMER CKT 1	67.1	0.01255	101.9374	CHISHOLM6 230.00 - ELK CITY 230KV 230KV CKT 1
15G	06ALL		3 FROM->TO	G15_031_115	SHAMROCK (SHAMRCK1) 115/69/14.4KV TRANSFORMER CKT 1	67.1	0.01255	101.9374	ELK CITY 230KV (ELKCTY-6) 230/138/13.8KV TRANSFORMER CKT 1
15G	06ALL		3 FROM->TO	G15_031_115	SHAMROCK (SHAMRCK1) 115/69/14.4KV TRANSFORMER CKT 1	67.1	0.01293	101.8212	CHISHOLM7 345.00 - GRACEMONT 345KV CKT 1
15G	06ALL		3 FROM->TO	G15_031_115	SHAMROCK (SHAMRCK1) 115/69/14.4KV TRANSFORMER CKT 1	66	0.0134	101.297	G14-074T 345.00 - TUCO INTERCHANGE 345KV CKT 1
15G	06ALL		3 FROM->TO	G15_031_115	SHAMROCK (SHAMRCK1) 115/69/14.4KV TRANSFORMER CKT 1	66	0.01243	100.703	CLARENDON REC - HEDLEY 69KV CKT 1
15G	06ALL		3 FROM->TO	G15_031_115	SHAMROCK (SHAMRCK1) 115/69/14.4KV TRANSFORMER CKT 1	66	0.01233	100.5849	DBL-G1114-WWRD
15G	06ALL		3 FROM->TO	G15_031_115	SHAMROCK (SHAMRCK1) 115/69/14.4KV TRANSFORMER CKT 1	67.1	0.01243	100.5425	CLARENDON - CLARENDON REC 69KV CKT 1
15G	06ALL		3 FROM->TO	G15_031_115	SHAMROCK (SHAMRCK1) 115/69/14.4KV TRANSFORMER CKT 1	66	0.01371	100.3	SPP-SWPS-02
15G	06ALL		3 FROM->TO	G15_031_115	SHAMROCK (SHAMRCK1) 115/69/14.4KV TRANSFORMER CKT 1	66	0.01371	100.3	STATELINE INTERCHANGE - STLN-DEMARC6 230KV CKT 1
15G	06ALL		3 FROM->TO	G15_031_115	SHAMROCK (SHAMRCK1) 115/69/14.4KV TRANSFORMER CKT 1	66	0.01371	100.3	STLN-DEMARC6 - SWEETWATER 230KV CKT 1
15SP	06ALL		3 FROM->TO	G15_031_115	SHAMROCK (SHAMRCK1) 115/69/14.4KV TRANSFORMER CKT 1	67.2	0.01236	100.2946	HWRDWCK2 69.000 - JERICO 69KV CKT 1
15SP	06ALL		3 FROM->TO	G15_031_115	SHAMROCK (SHAMRCK1) 115/69/14.4KV TRANSFORMER CKT 1	67.2	0.01236	100.2946	JERICO - KIRBY SWITCHING STATION 115KV CKT 1

SEASON	GROUP	SCENARIO	DIRECTION	SOURCE	MONITORED ELEMENT	RATE (MVA)	TDF	CONTINGENCY LOADING %	CONTINGENCY	
15SP	06ALL		3	FROM->TO	G15_031_115	SHAMROCK (SHAMRCK1) 115/69/14.4KV TRANSFORMER CKT 1	67.2	0.01236	100.2946	JERICHO (JERIC2WT) 115/69/14.4KV TRANSFORMER CKT 1
20WP	06ALL		3	TO->FROM	G15_031_115	SUNSHINE CANYON - TUTTLE 138KV CKT 1	140.9	0.02092	108.907	CIMARRON - MINCO 345KV CKT 1
20SP	06ALL		3	TO->FROM	G15_031_115	SUNSHINE CANYON - TUTTLE 138KV CKT 1	141.6	0.02194	104.6299	CIMARRON - MINCO 345KV CKT 1
20WP	06ALL		3	TO->FROM	G15_031_115	SUNSHINE CANYON - TUTTLE 138KV CKT 1	140.9	0.02092	104.2228	GRACEMONT - MINCO 345KV CKT 1
15SP	06ALL		3	TO->FROM	G15_031_115	SUNSHINE CANYON - TUTTLE 138KV CKT 1	141.6	0.0233	104.0014	CIMARRON - MINCO 345KV CKT 1
15SP	06ALL		3	FROM->TO	G15_031_115	THOMAS TAP - WEATHERFORD 69KV CKT 1	39	0.00793	114.2821	CLINTON JUNCTION - CLINTON NATURAL GAS TAP 138KV CKT 1
15G	06ALL		3	FROM->TO	G15_031_115	TUCO INTERCHANGE (GE M1022338) 345/230/13.2KV TRANSFORMER CKT 1	555.3	0.16386	101.5948	TUCO INTERCHANGE (SIEM 8743066) 345/230/13.2KV TRANSFORMER CKT 2
15G	06ALL		3	FROM->TO	G15_031_115	TUCO INTERCHANGE (GE M1022338) 345/230/13.2KV TRANSFORMER CKT 1	557.5	0.16386	101.1222	TUCO INTERCHANGE (SIEM 8743066) 345/230/13.2KV TRANSFORMER CKT 2
20WP	06ALL		3	TO->FROM	G15_031_115	TUCO_2 345.00 (TUCO_2 XFMR) 345/230/13.2KV TRANSFORMER CKT 1	559.6	0.17819	110.6619	TUCO INTERCHANGE - TUCO_2 345.00 345KV CKT 1
20WP	06ALL		3	TO->FROM	G15_031_115	TUCO_2 345.00 (TUCO_2 XFMR) 345/230/13.2KV TRANSFORMER CKT 1	559.9	0.17819	110.549	TUCO INTERCHANGE - TUCO_2 345.00 345KV CKT 1
15G	06ALL		3	FROM->TO	G15_031_115	WICHITA (WICH TX-12) 345/138/13.8KV TRANSFORMER CKT 1	413.2	0.01233	106.6651	WICHITA (WICH TX-11) 345/138/13.8KV TRANSFORMER CKT 1
15G	06ALL		3	FROM->TO	G15_031_115	WICHITA (WICH TX-12) 345/138/13.8KV TRANSFORMER CKT 1	419.7	0.01233	104.894	WICHITA (WICH TX-11) 345/138/13.8KV TRANSFORMER CKT 1
15WP	06ALL		3	FROM->TO	G15_031_115	WICHITA (WICH TX-12) 345/138/13.8KV TRANSFORMER CKT 1	414.2	0.01199	102.4003	WICHITA (WICH TX-11) 345/138/13.8KV TRANSFORMER CKT 1
15WP	06ALL		3	FROM->TO	G15_031_115	WICHITA (WICH TX-12) 345/138/13.8KV TRANSFORMER CKT 1	420.2	0.01199	100.8191	WICHITA (WICH TX-11) 345/138/13.8KV TRANSFORMER CKT 1
25SP	00NR		3	FROM->TO	G15_031_115	WOLFFORTH INTERCHANGE (WH 7001668) 230/115/13.2KV TRANSFORMER CKT 1	140.4	0.02007	100.7984	CARLISLE INTERCHANGE - LP-DOUD_TP 3115.00 115KV CKT 1
15G	06ALL		3	FROM->TO	G15_031_115	WOODWARD (WOODWRD2) 138/69/13.2KV TRANSFORMER CKT 1	133.3	0.0105	100.054	FPL SWITCH - MOORELAND 138KV CKT 1
20SP	06ALL		4	FROM->TO	G15_031_115	ANADARKO - CORN TAP 138KV CKT 1	142.8	0.01487	100.1835	CIMARRON - MINCO 345KV CKT 1
15G	06ALL		4	TO->FROM	G15_031_115	ANADARKO - GRACMNT4 138.00 138KV CKT 1	225.1	0.05388	127.5247	CIMARRON - MINCO 345KV CKT 1
15G	06ALL		4	TO->FROM	G15_031_115	ANADARKO - GRACMNT4 138.00 138KV CKT 1	225.1	0.05388	119.3505	GRACEMONT - MINCO 345KV CKT 1
15G	06ALL		4	TO->FROM	G15_031_115	ANADARKO - GRACMNT4 138.00 138KV CKT 1	225.1	0.03049	106.932	SOUTHWESTERN STATION - WASHITA 138KV CKT 1
15SP	06ALL		4	FROM->TO	G15_031_115	BENTLEY4 138.00 - HALSTEAD SOUTH BUS 138KV CKT 1	142.2	0.00696	108.2644	RENO COUNTY - WICHITA 345KV CKT 1
20WP	06ALL		4	FROM->TO	G15_031_115	CLEARWATER - GILL ENERGY CENTER WEST 138KV CKT 1	142.9	0.01156	119.4836	GILL ENERGY CENTER SOUTH - VIOLA 4 138.00 138KV CKT 1
20SP	06ALL		4	FROM->TO	G15_031_115	CLEARWATER - GILL ENERGY CENTER WEST 138KV CKT 1	142.2	0.01399	102.4233	GILL ENERGY CENTER SOUTH - VIOLA 4 138.00 138KV CKT 1
15SP	06ALL		4	TO->FROM	G15_031_115	CLINTON CITY - FOSS TAP 69KV CKT 1	74.5	0.00793	103.4497	CLINTON JUNCTION - CLINTON NATURAL GAS TAP 138KV CKT 1
15SP	06ALL		4	FROM->TO	G15_031_115	CLINTON CITY - THOMAS TAP 69KV CKT 1	38.9	0.00793	125.6298	CLINTON JUNCTION - CLINTON NATURAL GAS TAP 138KV CKT 1
20SP	06ALL		4	FROM->TO	G15_031_115	CLINTON CITY - THOMAS TAP 69KV CKT 1	39	0.00758	102.959	CLINTON JUNCTION - CLINTON NATURAL GAS TAP 138KV CKT 1
15G	06ALL		4	FROM->TO	G15_031_115	CLINTON CITY - THOMAS TAP 69KV CKT 1	47.9	0.00772	101.1232	CLINTON JUNCTION - CLINTON NATURAL GAS TAP 138KV CKT 1
15SP	06ALL		4	TO->FROM	G15_031_115	CLINTON JUNCTION - ELK CITY 138KV CKT 1	148.8	0.04272	140.7016	CHISHOLM7 345.00 - GRACEMONT 345KV CKT 1
15G	06ALL		4	TO->FROM	G15_031_115	CLINTON JUNCTION - ELK CITY 138KV CKT 1	185.1	0.04129	124.0918	CHISHOLM7 345.00 - GRACEMONT 345KV CKT 1
15SP	06ALL		4	TO->FROM	G15_031_115	CLINTON JUNCTION - ELK CITY 138KV CKT 1	148.8	0.03623	122.8038	G14-074T 345.00 - OKLAUNION 345KV CKT 1
15SP	06ALL		4	TO->FROM	G15_031_115	CLINTON JUNCTION - ELK CITY 138KV CKT 1	148.8	0.02212	120.3804	ONEY - WASHITA 138KV CKT 1
15SP	06ALL		4	TO->FROM	G15_031_115	CLINTON JUNCTION - ELK CITY 138KV CKT 1	148.8	0.03623	118.7715	G14-074T 345.00 - TUCO INTERCHANGE 345KV CKT 1
15SP	06ALL		4	TO->FROM	G15_031_115	CLINTON JUNCTION - ELK CITY 138KV CKT 1	148.8	0.03266	118.2352	NORTHWEST - TATONGA7 345.00 345KV CKT 1
15SP	06ALL		4	TO->FROM	G15_031_115	CLINTON JUNCTION - ELK CITY 138KV CKT 1	148.8	0.02212	117.8266	BINGER NIJECT - ONEY 138KV CKT 1
15SP	06ALL		4	TO->FROM	G15_031_115	CLINTON JUNCTION - ELK CITY 138KV CKT 1	148.8	0.03266	117.7648	SPSCont-05b
15SP	06ALL		4	TO->FROM	G15_031_115	CLINTON JUNCTION - ELK CITY 138KV CKT 1	148.8	0.03266	117.2943	SPSCont-04
15SP	06ALL		4	TO->FROM	G15_031_115	CLINTON JUNCTION - ELK CITY 138KV CKT 1	148.8	0.03323	117.1129	DBL-THIS-WWRD
15SP	06ALL		4	TO->FROM	G15_031_115	CLINTON JUNCTION - ELK CITY 138KV CKT 1	132.4	0.02876	116.2206	BASE CASE
15SP	06ALL		4	TO->FROM	G15_031_115	CLINTON JUNCTION - ELK CITY 138KV CKT 1	148.8	0.03263	115.6653	CLINTON AIR FORCE BASE TAP - ELK CITY 138KV CKT 1
15SP	06ALL		4	TO->FROM	G15_031_115	CLINTON JUNCTION - ELK CITY 138KV CKT 1	148.8	0.03561	115.3992	CHISHOLM7 345.00 - WOODWARD DISTRICT EHV 345KV CKT 1
15SP	06ALL		4	TO->FROM	G15_031_115	CLINTON JUNCTION - ELK CITY 138KV CKT 1	148.8	0.03263	114.7917	CLINTON AIR FORCE BASE TAP - HOBART JUNCTION 138KV CKT 1
15SP	06ALL		4	TO->FROM	G15_031_115	CLINTON JUNCTION - ELK CITY 138KV CKT 1	148.8	0.03266	113.6653	G11_051T 345.00 - TATONGA7 345.00 345KV CKT 1
15SP	06ALL		4	TO->FROM	G15_031_115	CLINTON JUNCTION - ELK CITY 138KV CKT 1	148.8	0.02212	113.66	BINGER NIJECT - SICKLES 138KV CKT 1
15SP	06ALL		4	TO->FROM	G15_031_115	CLINTON JUNCTION - ELK CITY 138KV CKT 1	148.8	0.02212	112.9879	CLINTON JUNCTION - G07-32T 138.00 138KV CKT 1
15SP	06ALL		4	TO->FROM	G15_031_115	CLINTON JUNCTION - ELK CITY 138KV CKT 1	148.8	0.02876	112.9543	G07-32 138.00 - G07-32T 138.00 138KV CKT 1
15SP	06ALL		4	TO->FROM	G15_031_115	CLINTON JUNCTION - ELK CITY 138KV CKT 1	148.8	0.02876	112.9543	G07-32 138.00 138/34.5KV TRANSFORMER CKT 1
15SP	06ALL		4	TO->FROM	G15_031_115	CLINTON JUNCTION - ELK CITY 138KV CKT 1	148.8	0.02876	112.9543	G07-32 34.500 34.5/12.0KV TRANSFORMER CKT 1
15SP	06ALL		4	TO->FROM	G15_031_115	CLINTON JUNCTION - ELK CITY 138KV CKT 1	148.8	0.02876	111.6102	WASHITA - WEATHERFORD WIND FARM 34 KV 34.5KV CKT 1
15WP	06ALL		4	TO->FROM	G15_031_115	CLINTON JUNCTION - ELK CITY 138KV CKT 1	186.8	0.04366	111.257	CHISHOLM7 345.00 - GRACEMONT 345KV CKT 1
20SP	06ALL		4	TO->FROM	G15_031_115	CLINTON JUNCTION - ELK CITY 138KV CKT 1	151.1	0.04238	109.5658	CHISHOLM7 345.00 - GRACEMONT 345KV CKT 1
20SP	06ALL		4	TO->FROM	G15_031_115	CLINTON JUNCTION - ELK CITY 138KV CKT 1	151.1	0.022	106.5215	ONEY - WASHITA 138KV CKT 1
15G	06ALL		4	TO->FROM	G15_031_115	CLINTON JUNCTION - ELK CITY 138KV CKT 1	185.1	0.03493	105.7482	G14-074T 345.00 - OKLAUNION 345KV CKT 1
20SP	06ALL		4	TO->FROM	G15_031_115	CLINTON JUNCTION - ELK CITY 138KV CKT 1	151.1	0.022	103.9404	BINGER NIJECT - ONEY 138KV CKT 1
20WP	06ALL		4	TO->FROM	G15_031_115	CLINTON JUNCTION - ELK CITY 138KV CKT 1	187.5	0.0418	102.8299	CHISHOLM7 345.00 - GRACEMONT 345KV CKT 1
15G	06ALL		4	TO->FROM	G15_031_115	CLINTON JUNCTION - ELK CITY 138KV CKT 1	185.1	0.03493	102.6688	G14-074T 345.00 - TUCO INTERCHANGE 345KV CKT 1
15G	06ALL		4	TO->FROM	G15_031_115	CLINTON JUNCTION - ELK CITY 138KV CKT 1	185.1	0.03158	102.4171	NORTHWEST - TATONGA7 345.00 345KV CKT 1
15G	06ALL		4	TO->FROM	G15_031_115	CLINTON JUNCTION - ELK CITY 138KV CKT 1	185.1	0.03158	102.0389	SPSCont-05b
15G	06ALL		4	TO->FROM	G15_031_115	CLINTON JUNCTION - ELK CITY 138KV CKT 1	185.1	0.03158	101.7147	SPSCont-04
15G	06ALL		4	TO->FROM	G15_031_115	CLINTON JUNCTION - ELK CITY 138KV CKT 1	185.1	0.0314	101.5991	CLINTON AIR FORCE BASE TAP - ELK CITY 138KV CKT 1
15G	06ALL		4	TO->FROM	G15_031_115	CLINTON JUNCTION - ELK CITY 138KV CKT 1	185.1	0.0314	100.9508	CLINTON AIR FORCE BASE TAP - HOBART JUNCTION 138KV CKT 1
15G	06ALL		4	TO->FROM	G15_031_115	CLINTON JUNCTION - ELK CITY 138KV CKT 1	185.1	0.03446	100.2798	CHISHOLM7 345.00 - WOODWARD DISTRICT EHV 345KV CKT 1
15G	06ALL		4	TO->FROM	G15_031_115	CLINTON JUNCTION - ELK CITY 138KV CKT 1	185.1	0.03202	100.0648	DBL-THIS-WWRD
15SP	06ALL		4	FROM->TO	G15_031_115	CLINTON JUNCTION - FOSS TAP 69KV CKT 1	74.7	0.00793	104.3775	CLINTON JUNCTION - CLINTON NATURAL GAS TAP 138KV CKT 1
15SP	06ALL		4	TO->FROM	G15_031_115	COMANCHE TAP - TOSCO 69KV CKT 1	39	0.00571	103.8051	G14-057T 345.00 - SUNNYSIDE 345KV CKT 1

SEASON	GROUP	SCENARIO	DIRECTION	SOURCE	MONITORED ELEMENT	RATE (MVA)	TDF	CONTINGENCY		CONTINGENCY
								LOADING %		
15SP	06ALL	4	TO->FROM	G15_031_115	COMANCHE TAP - TOSCO 69KV CKT 1	39	0.00571	100.9846	G14-057T 345.00 - LAWTON EASTSIDE 345KV CKT 1	
20WP	06ALL	4	FROM->TO	G15_031_115	CORN TAP - PAYNE 138.00 138KV CKT 1	141.6	0.01796	111.0862	G14-057T 345.00 - SUNNYSIDE 345KV CKT 1	
20WP	06ALL	4	FROM->TO	G15_031_115	CORN TAP - PAYNE 138.00 138KV CKT 1	141.6	0.01796	109.3206	G14-057T 345.00 - LAWTON EASTSIDE 345KV CKT 1	
15WP	06ALL	4	FROM->TO	G15_031_115	CORN TAP - PAYNE 138.00 138KV CKT 1	141.4	0.01863	109.0523	G14-057T 345.00 - SUNNYSIDE 345KV CKT 1	
20WP	06ALL	4	FROM->TO	G15_031_115	CORN TAP - PAYNE 138.00 138KV CKT 1	141.6	0.01826	107.4703	CIMARRON - MINCO 345KV CKT 1	
15WP	06ALL	4	FROM->TO	G15_031_115	CORN TAP - PAYNE 138.00 138KV CKT 1	141.4	0.01863	107.2843	G14-057T 345.00 - LAWTON EASTSIDE 345KV CKT 1	
20WP	06ALL	4	FROM->TO	G15_031_115	CORN TAP - PAYNE 138.00 138KV CKT 1	141.6	0.01426	105.7217	ANADARKO - BLANCHARD 138KV CKT 1	
20WP	06ALL	4	FROM->TO	G15_031_115	CORN TAP - PAYNE 138.00 138KV CKT 1	141.6	0.01826	104.363	GRACEMONT - MINCO 345KV CKT 1	
20WP	06ALL	4	FROM->TO	G15_031_115	CORN TAP - PAYNE 138.00 138KV CKT 1	141.6	0.01426	103.815	BLANCHARD - OUSW4 138KV CKT 1	
15WP	06ALL	4	FROM->TO	G15_031_115	CORN TAP - PAYNE 138.00 138KV CKT 1	141.4	0.01906	101.9505	CIMARRON - MINCO 345KV CKT 1	
15WP	06ALL	4	FROM->TO	G15_031_115	CORN TAP - PAYNE 138.00 138KV CKT 1	141.4	0.01485	100.6096	ANADARKO - BLANCHARD 138KV CKT 1	
15SP	06ALL	4	FROM->TO	G15_031_115	DUNCAN - TOSCO 69KV CKT 1	38.9	0.00571	108.1851	G14-057T 345.00 - SUNNYSIDE 345KV CKT 1	
15SP	06ALL	4	FROM->TO	G15_031_115	DUNCAN - TOSCO 69KV CKT 1	38.9	0.00571	105.3573	G14-057T 345.00 - LAWTON EASTSIDE 345KV CKT 1	
15WP	06ALL	4	FROM->TO	G15_031_115	DUNCAN - TOSCO 69KV CKT 1	47.8	0.00591	100.8326	G14-057T 345.00 - SUNNYSIDE 345KV CKT 1	
20WP	06ALL	4	FROM->TO	G15_031_115	DUNCAN - TOSCO 69KV CKT 1	47.9	0.00554	100.5887	G14-057T 345.00 - SUNNYSIDE 345KV CKT 1	
15SP	06ALL	4	TO->FROM	G15_031_115	EARLSBORO 4138.00 - MAUD 138KV CKT 1	97.7	0.00724	106.0594	MAUD (MAUD1) 138/69/13.2KV TRANSFORMER CKT 1	
15SP	06ALL	4	TO->FROM	G15_031_115	EARLSBORO 4138.00 - MAUD 138KV CKT 1	97.7	0.00704	100.9212	CANADIAN RIVER - MCALESTER SOUTH 138KV CKT 1	
15SP	06ALL	4	TO->FROM	G15_031_115	EARLSBORO 4138.00 - MAUD 138KV CKT 1	97.7	0.00695	100.9212	SPP-SWPS-T54	
25SP	06ALL	4	FROM->TO	G15_031_115	EDDY_NORTH 6230.00 (WAUK W010134) 230/115/13.2KV TRANSFORMER CKT 2	285	0.00617	104.6751	EDDY COUNTY INTERCHANGE - EDDY_NORTH 6230.00 230KV CKT @1	
25SP	06ALL	4	FROM->TO	G15_031_115	EDDY_NORTH 6230.00 (WAUK W010134) 230/115/13.2KV TRANSFORMER CKT 2	286.3	0.00617	104.095	EDDY COUNTY INTERCHANGE - EDDY_NORTH 6230.00 230KV CKT @1	
15G	06ALL	4	FROM->TO	G15_031_115	ELDORADO - ELDORADO JCT 69KV CKT 1	26.9	0.00842	102.0892	LAKE PAULINE - RUSSELL 138KV CKT 1	
15SP	06ALL	4	FROM->TO	G15_031_115	ELK CITY 230KV (ELKCTY-6) 230/138/13.8KV TRANSFORMER CKT 1	446.4	0.10168	117.1214	CHISHOLM7 345.00 - GRACEMONT 345KV CKT 1	
15G	06ALL	4	FROM->TO	G15_031_115	ELK CITY 230KV (ELKCTY-6) 230/138/13.8KV TRANSFORMER CKT 1	446.9	0.09607	117.1005	CHISHOLM7 345.00 - GRACEMONT 345KV CKT 1	
15G	06ALL	4	FROM->TO	G15_031_115	ELK CITY 230KV (ELKCTY-6) 230/138/13.8KV TRANSFORMER CKT 1	449.3	0.09607	116.564	CHISHOLM7 345.00 - GRACEMONT 345KV CKT 1	
15SP	06ALL	4	FROM->TO	G15_031_115	ELK CITY 230KV (ELKCTY-6) 230/138/13.8KV TRANSFORMER CKT 1	449.3	0.10168	116.4768	CHISHOLM7 345.00 - GRACEMONT 345KV CKT 1	
15WP	06ALL	4	FROM->TO	G15_031_115	ELK CITY 230KV (ELKCTY-6) 230/138/13.8KV TRANSFORMER CKT 1	447.2	0.1045	112.5496	CHISHOLM7 345.00 - GRACEMONT 345KV CKT 1	
15WP	06ALL	4	FROM->TO	G15_031_115	ELK CITY 230KV (ELKCTY-6) 230/138/13.8KV TRANSFORMER CKT 1	449.3	0.1045	112.1126	CHISHOLM7 345.00 - GRACEMONT 345KV CKT 1	
20WP	06ALL	4	FROM->TO	G15_031_115	ELK CITY 230KV (ELKCTY-6) 230/138/13.8KV TRANSFORMER CKT 1	448.3	0.10039	106.8579	CHISHOLM7 345.00 - GRACEMONT 345KV CKT 1	
20WP	06ALL	4	FROM->TO	G15_031_115	ELK CITY 230KV (ELKCTY-6) 230/138/13.8KV TRANSFORMER CKT 1	449.7	0.10039	106.6142	CHISHOLM7 345.00 - GRACEMONT 345KV CKT 1	
15SP	06ALL	4	FROM->TO	G15_031_115	ELK CITY 230KV (ELKCTY-6) 230/138/13.8KV TRANSFORMER CKT 1	446.4	0.08701	103.5995	G14-074T 345.00 - OKLAUNION 345KV CKT 1	
15SP	06ALL	4	FROM->TO	G15_031_115	ELK CITY 230KV (ELKCTY-6) 230/138/13.8KV TRANSFORMER CKT 1	449.3	0.08701	103.0198	G14-074T 345.00 - OKLAUNION 345KV CKT 1	
15SP	06ALL	4	FROM->TO	G15_031_115	ELK CITY 230KV (ELKCTY-6) 230/138/13.8KV TRANSFORMER CKT 1	446.4	0.09314	101.7988	CHISHOLM7 345.00 - WOODWARD DISTRICT EHV 345KV CKT 1	
15SP	06ALL	4	FROM->TO	G15_031_115	ELK CITY 230KV (ELKCTY-6) 230/138/13.8KV TRANSFORMER CKT 1	449.3	0.09314	101.2531	CHISHOLM7 345.00 - WOODWARD DISTRICT EHV 345KV CKT 1	
15SP	06ALL	4	FROM->TO	G15_031_115	ELK CITY 230KV (ELKCTY-6) 230/138/13.8KV TRANSFORMER CKT 1	446.4	0.08701	100.1496	G14-074T 345.00 - TUCO INTERCHANGE 345KV CKT 1	
15G	06ALL	4	FROM->TO	G15_031_115	FPL SWITCH - MOORELAND 138KV CKT 1	284.1	0.04558	119.1292	DBL-THIS-WWRD	
15G	06ALL	4	FROM->TO	G15_031_115	FPL SWITCH - MOORELAND 138KV CKT 1	284.1	0.03716	111.6987	NORTHWEST - TATONGA7 345.00 345KV CKT 1	
15G	06ALL	4	FROM->TO	G15_031_115	FPL SWITCH - MOORELAND 138KV CKT 1	284.1	0.03716	110.1499	SPSCont-04	
15G	06ALL	4	FROM->TO	G15_031_115	FPL SWITCH - MOORELAND 138KV CKT 1	284.1	0.03716	109.9036	SPSCont-05b	
15G	06ALL	4	FROM->TO	G15_031_115	FPL SWITCH - MOORELAND 138KV CKT 1	284.1	0.0369	108.3928	CHISHOLM6 230.00 - ELK CITY 230KV 230KV CKT 1	
15G	06ALL	4	FROM->TO	G15_031_115	FPL SWITCH - MOORELAND 138KV CKT 1	284.1	0.0369	108.3928	ELK CITY 230KV (ELKCTY-6) 230/138/13.8KV TRANSFORMER CKT 1	
15G	06ALL	4	FROM->TO	G15_031_115	FPL SWITCH - MOORELAND 138KV CKT 1	284.1	0.03716	104.6941	G11_051T 345.00 - TATONGA7 345.00 345KV CKT 1	
15G	06ALL	4	FROM->TO	G15_031_115	FPL SWITCH - MOORELAND 138KV CKT 1	284.1	0.03716	103.9198	G11_051T 345.00 - WOODWARD DISTRICT EHV 345KV CKT 1	
15G	06ALL	4	FROM->TO	G15_031_115	FPL SWITCH - MOORELAND 138KV CKT 1	284.1	0.03716	102.2302	SPSCont-05ax	
15G	06ALL	4	FROM->TO	G15_031_115	FPL SWITCH - MOORELAND 138KV CKT 1	284.1	0.02833	102.038	WOODWARD (WOODWRD2) 138/69/13.2KV TRANSFORMER CKT 1	
15G	06ALL	4	TO->FROM	G15_031_115	FPL SWITCH - WOODWARD 138KV CKT 1	285.1	0.04558	112.3627	DBL-THIS-WWRD	
15G	06ALL	4	TO->FROM	G15_031_115	FPL SWITCH - WOODWARD 138KV CKT 1	285.1	0.03716	104.9583	NORTHWEST - TATONGA7 345.00 345KV CKT 1	
15G	06ALL	4	TO->FROM	G15_031_115	FPL SWITCH - WOODWARD 138KV CKT 1	285.1	0.03716	103.4149	SPSCont-04	
15G	06ALL	4	TO->FROM	G15_031_115	FPL SWITCH - WOODWARD 138KV CKT 1	285.1	0.03716	103.1694	SPSCont-05b	
15G	06ALL	4	TO->FROM	G15_031_115	FPL SWITCH - WOODWARD 138KV CKT 1	285.1	0.0369	101.664	CHISHOLM6 230.00 - ELK CITY 230KV 230KV CKT 1	
15G	06ALL	4	TO->FROM	G15_031_115	FPL SWITCH - WOODWARD 138KV CKT 1	285.1	0.0369	101.664	ELK CITY 230KV (ELKCTY-6) 230/138/13.8KV TRANSFORMER CKT 1	
15SP	06ALL	4	TO->FROM	G15_031_115	GLASS MOUNTAIN - MOORELAND 138KV CKT 1	122.3	0.02064	109.2706	DBL-THIS-WWRD	
20WP	06ALL	4	TO->FROM	G15_031_115	GLASS MOUNTAIN - MOORELAND 138KV CKT 1	122.3	0.02019	101.287	DBL-THIS-WWRD	
15WP	06ALL	4	TO->FROM	G15_031_115	GLASS MOUNTAIN - MOORELAND 138KV CKT 1	122.2	0.02113	100.7676	DBL-THIS-WWRD	
15SP	06ALL	4	TO->FROM	G15_031_115	GLASS MOUNTAIN - MOORELAND 138KV CKT 1	122.3	0.01587	100.5576	MOORELAND - NOEL_SW 138.00 138KV CKT 1	
15G	06ALL	4	TO->FROM	G15_031_115	GRAPEVINE INTERCHANGE - NICHOLS STATION 230KV CKT 1	350	0.07301	100.2606	GRAPEVINE 345.00 - POTTER COUNTY INTERCHANGE 345KV CKT 1	
15G	06ALL	4	TO->FROM	G15_031_115	GRAPEVINE INTERCHANGE - NICHOLS STATION 230KV CKT 1	350	0.06986	100.2189	DBL-G1114-WWRD	
15G	06ALL	4	TO->FROM	G15_031_115	GRAPEVINE INTERCHANGE - NICHOLS STATION 230KV CKT 1	350	0.07301	100.032	CHISHOLM7 345.00 - GRAPEVINE 345.00 345KV CKT 1	
15G	06ALL	4	FROM->TO	G15_031_115	Harrington Station East Bus - POTTER COUNTY INTERCHANGE 230KV CKT 1	346.9	0.07099	121.5284	CHERRY1 - HARRINGTON STATION 230KV CKT 1	
15G	06ALL	4	FROM->TO	G15_031_115	Harrington Station East Bus - POTTER COUNTY INTERCHANGE 230KV CKT 1	346.9	0.08326	120.1199	CHERRY1 - POTTER COUNTY INTERCHANGE 230KV CKT 1	
15G	06ALL	4	TO->FROM	G15_031_115	HAYS PLANT - SOUTH HAYS 115KV CKT 1	98.9	0.00602	115.4055	KNOLL 230 - POSTROCK6 230.00 230KV CKT 1	
15SP	06ALL	4	FROM->TO	G15_031_115	HAYS PLANT - VINE STREET 115KV CKT 1	88	0.00577	116.9159	KNOLL 230 - POSTROCK6 230.00 230KV CKT 1	
15G	06ALL	4	FROM->TO	G15_031_115	HAYS PLANT - VINE STREET 115KV CKT 1	87.9	0.00602	105.9568	KNOLL 230 - POSTROCK6 230.00 230KV CKT 1	
15SP	06ALL	4	FROM->TO	G15_031_115	JERICO (JERIC2WT) 115/69/14.4KV TRANSFORMER CKT 1	45.6	0.00676	107.4825	KIRBY SWITCHING STATION - MCCLELLAN SUB 115KV CKT 1	
15SP	06ALL	4	FROM->TO	G15_031_115	JERICO (JERIC2WT) 115/69/14.4KV TRANSFORMER CKT 1	45.9	0.00676	106.78	KIRBY SWITCHING STATION - MCCLELLAN SUB 115KV CKT 1	

SEASON	GROUP	SCENARIO	DIRECTION	SOURCE	MONITORED ELEMENT	RATE (MVA)	TDF	CONTINGENCY LOADING %	CONTINGENCY	
15SP	06ALL		4	FROM->TO	G15_031_115	JERICHO (JERIC2WT) 115/69/14.4KV TRANSFORMER CKT 1	45.6	0.00676	105.9474	MCLELLAN SUB - MCLEAN RURAL SUB 115KV CKT 1
15SP	06ALL		4	FROM->TO	G15_031_115	JERICHO (JERIC2WT) 115/69/14.4KV TRANSFORMER CKT 1	45.9	0.00676	105.2549	MCLELLAN SUB - MCLEAN RURAL SUB 115KV CKT 1
15G	06ALL		4	FROM->TO	G15_031_115	JERICHO (JERIC2WT) 115/69/14.4KV TRANSFORMER CKT 1	45.7	0.00682	102.5383	KIRBY SWITCHING STATION - MCLELLAN SUB 115KV CKT 1
15SP	06ALL		4	FROM->TO	G15_031_115	JERICHO (JERIC2WT) 115/69/14.4KV TRANSFORMER CKT 1	45.6	0.00676	102.2193	SPP-SWPS-T54
15G	06ALL		4	FROM->TO	G15_031_115	JERICHO (JERIC2WT) 115/69/14.4KV TRANSFORMER CKT 1	45.9	0.00682	102.0915	KIRBY SWITCHING STATION - MCLELLAN SUB 115KV CKT 1
15SP	06ALL		4	FROM->TO	G15_031_115	JERICHO (JERIC2WT) 115/69/14.4KV TRANSFORMER CKT 1	45.9	0.00676	101.7691	SPP-SWPS-T54
15G	06ALL		4	FROM->TO	G15_031_115	JERICHO (JERIC2WT) 115/69/14.4KV TRANSFORMER CKT 1	45.7	0.00682	101.2254	MCLELLAN SUB - MCLEAN RURAL SUB 115KV CKT 1
15SP	06ALL		4	FROM->TO	G15_031_115	JERICHO (JERIC2WT) 115/69/14.4KV TRANSFORMER CKT 1	45.6	0.00676	100.9035	MCLEAN RURAL SUB - SHAMROCK 115KV CKT 1
15SP	06ALL		4	FROM->TO	G15_031_115	JERICHO (JERIC2WT) 115/69/14.4KV TRANSFORMER CKT 1	45.6	0.00676	100.9035	SHAMROCK (SHAMRCK1) 115/69/14.4KV TRANSFORMER CKT 1
15G	06ALL		4	FROM->TO	G15_031_115	JERICHO (JERIC2WT) 115/69/14.4KV TRANSFORMER CKT 1	45.9	0.00682	100.7843	MCLELLAN SUB - MCLEAN RURAL SUB 115KV CKT 1
15SP	06ALL		4	FROM->TO	G15_031_115	JERICHO (JERIC2WT) 115/69/14.4KV TRANSFORMER CKT 1	45.9	0.00676	100.244	MCLEAN RURAL SUB - SHAMROCK 115KV CKT 1
15SP	06ALL		4	FROM->TO	G15_031_115	JERICHO (JERIC2WT) 115/69/14.4KV TRANSFORMER CKT 1	45.9	0.00676	100.244	SHAMROCK (SHAMRCK1) 115/69/14.4KV TRANSFORMER CKT 1
25SP	00NR		4	TO->FROM	G15_031_115	LUBBOCK POWER & LIGHT-CO-OP - LUBBOCK POWER & LIGHT-SLATON 69KV CKT 1	53.5	0.00704	154.4149	LUBBOCK POWER & LIGHT-CO-OP - LUBBOCK POWER & LIGHT-WADSWORTH 69KV CKT 1
20SP	00NR		4	TO->FROM	G15_031_115	LUBBOCK POWER & LIGHT-CO-OP - LUBBOCK POWER & LIGHT-SLATON 69KV CKT 1	53.6	0.00981	138.3265	LUBBOCK POWER & LIGHT-CO-OP - LUBBOCK POWER & LIGHT-WADSWORTH 69KV CKT 1
15SP	00NR		4	TO->FROM	G15_031_115	LUBBOCK POWER & LIGHT-CO-OP - LUBBOCK POWER & LIGHT-SLATON 69KV CKT 1	53.9	0.00951	115.3117	LUBBOCK POWER & LIGHT-CO-OP - LUBBOCK POWER & LIGHT-WADSWORTH 69KV CKT 1
20WP	00NR		4	TO->FROM	G15_031_115	LUBBOCK POWER & LIGHT-CO-OP - LUBBOCK POWER & LIGHT-SLATON 69KV CKT 1	53.9	0.016	105.3803	LUBBOCK POWER & LIGHT-CO-OP - LUBBOCK POWER & LIGHT-WADSWORTH 69KV CKT 1
25SP	00NR		4	TO->FROM	G15_031_115	LUBBOCK POWER & LIGHT-CO-OP - LUBBOCK POWER & LIGHT-WADSWORTH 69KV CKT 1	105.6	0.00708	126.9167	BASE CASE
25SP	00NR		4	TO->FROM	G15_031_115	LUBBOCK POWER & LIGHT-CO-OP - LUBBOCK POWER & LIGHT-WADSWORTH 69KV CKT 1	141.2	0.00859	125.4795	LUBBOCK POWER & LIGHT-SLATON - LUBBOCK POWER & LIGHT-SOUTHEAST 69KV CKT 1
25SP	00NR		4	TO->FROM	G15_031_115	LUBBOCK POWER & LIGHT-CO-OP - LUBBOCK POWER & LIGHT-WADSWORTH 69KV CKT 1	141.2	0.00938	116.0864	LUBBOCK POWER & LIGHT-SOUTHEAST - LUBBOCK SOUTH INTERCHANGE 230KV CKT 1
25SP	00NR		4	TO->FROM	G15_031_115	LUBBOCK POWER & LIGHT-CO-OP - LUBBOCK POWER & LIGHT-WADSWORTH 69KV CKT 1	141.2	0.00888	114.2804	LUBBOCK POWER & LIGHT-HOLLY GEN - LUBBOCK POWER & LIGHT-NORTHEAST 69KV CKT 1
20SP	00NR		4	TO->FROM	G15_031_115	LUBBOCK POWER & LIGHT-CO-OP - LUBBOCK POWER & LIGHT-WADSWORTH 69KV CKT 1	108	0.00975	113.6343	BASE CASE
20SP	00NR		4	TO->FROM	G15_031_115	LUBBOCK POWER & LIGHT-CO-OP - LUBBOCK POWER & LIGHT-WADSWORTH 69KV CKT 1	143	0.01175	113.3741	LUBBOCK POWER & LIGHT-SLATON - LUBBOCK POWER & LIGHT-SOUTHEAST 69KV CKT 1
25SP	00NR		4	TO->FROM	G15_031_115	LUBBOCK POWER & LIGHT-CO-OP - LUBBOCK POWER & LIGHT-WADSWORTH 69KV CKT 1	141.2	0.0091	111.0694	CARLISLE INTERCHANGE - LUBBOCK POWER & LIGHT-MILWAUKEE 230KV CKT 1
25SP	00NR		4	TO->FROM	G15_031_115	LUBBOCK POWER & LIGHT-CO-OP - LUBBOCK POWER & LIGHT-WADSWORTH 69KV CKT 1	141.2	0.0091	110.9986	LUBBOCK POWER & LIGHT-MILWAUKEE (M-E C0681251) 230/69/13.5KV TRANSFORMER CKT 1
25SP	00NR		4	TO->FROM	G15_031_115	LUBBOCK POWER & LIGHT-CO-OP - LUBBOCK POWER & LIGHT-WADSWORTH 69KV CKT 1	141.2	0.0091	110.9986	SPP-SWPS-K39
15SP	00NR		4	TO->FROM	G15_031_115	LUBBOCK POWER & LIGHT-CO-OP - LUBBOCK POWER & LIGHT-WADSWORTH 69KV CKT 1	108	0.0105	109.6759	BASE CASE
25SP	00NR		4	TO->FROM	G15_031_115	LUBBOCK POWER & LIGHT-CO-OP - LUBBOCK POWER & LIGHT-WADSWORTH 69KV CKT 1	141.2	0.00735	108.7854	LUBBOCK POWER & LIGHT-OLIVER - LUBBOCK POWER & LIGHT-SOUTHEAST 69KV CKT 1
15SP	00NR		4	TO->FROM	G15_031_115	LUBBOCK POWER & LIGHT-CO-OP - LUBBOCK POWER & LIGHT-WADSWORTH 69KV CKT 1	143	0.01203	104.5517	LUBBOCK POWER & LIGHT-SLATON - LUBBOCK POWER & LIGHT-SOUTHEAST 69KV CKT 1
25SP	00NR		4	TO->FROM	G15_031_115	LUBBOCK POWER & LIGHT-CO-OP - LUBBOCK POWER & LIGHT-WADSWORTH 69KV CKT 1	141.2	0.00888	103.4448	LUBBOCK POWER & LIGHT-MACKENZIE GEN - LUBBOCK POWER & LIGHT-NORTHEAST 69KV CKT 1
20SP	00NR		4	TO->FROM	G15_031_115	LUBBOCK POWER & LIGHT-CO-OP - LUBBOCK POWER & LIGHT-WADSWORTH 69KV CKT 1	143	0.01207	103.3713	LUBBOCK POWER & LIGHT-HOLLY GEN - LUBBOCK POWER & LIGHT-NORTHEAST 69KV CKT 1
20SP	00NR		4	TO->FROM	G15_031_115	LUBBOCK POWER & LIGHT-CO-OP - LUBBOCK POWER & LIGHT-WADSWORTH 69KV CKT 1	143	0.01345	103.3112	LUBBOCK POWER & LIGHT-SOUTHEAST - LUBBOCK SOUTH INTERCHANGE 230KV CKT 1
25SP	00NR		4	TO->FROM	G15_031_115	LUBBOCK POWER & LIGHT-CO-OP - LUBBOCK POWER & LIGHT-WADSWORTH 69KV CKT 1	141.2	0.00794	102.8201	LUBBOCK POWER & LIGHT-SOUTHEAST (ABB 60258) 230/69/13.5KV TRANSFORMER CKT 1
25SP	00NR		4	TO->FROM	G15_031_115	LUBBOCK POWER & LIGHT-CO-OP - LUBBOCK POWER & LIGHT-WADSWORTH 69KV CKT 1	141.2	0.00789	102.3137	LUBBOCK POWER & LIGHT-SOUTHEAST (FRM WADSWRTH) 230/69/13.5KV TRANSFORMER CKT 2
25SP	00NR		4	TO->FROM	G15_031_115	LUBBOCK POWER & LIGHT-CO-OP - LUBBOCK POWER & LIGHT-WADSWORTH 69KV CKT 1	141.2	0.00742	101.5765	LUBBOCK POWER & LIGHT-CHALKER - LUBBOCK POWER & LIGHT-THOMPSON 69KV CKT 1
25SP	00NR		4	TO->FROM	G15_031_115	LUBBOCK POWER & LIGHT-CO-OP - LUBBOCK POWER & LIGHT-WADSWORTH 69KV CKT 1	141.2	0.0065	100.8853	LUBBOCK POWER & LIGHT-HOLLY GEN - LUBBOCK POWER & LIGHT-SOUTHEAST 69KV CKT 1
25SP	00NR		4	TO->FROM	G15_031_115	LUBBOCK POWER & LIGHT-CO-OP - LUBBOCK POWER & LIGHT-WADSWORTH 69KV CKT 1	141.2	0.00735	100.4993	LUBBOCK POWER & LIGHT-CHALKER - LUBBOCK POWER & LIGHT-OLIVER 69KV CKT 1
25SP	00NR		4	TO->FROM	G15_031_115	LUBBOCK POWER & LIGHT-SLATON - LUBBOCK POWER & LIGHT-SOUTHEAST 69KV CKT 1	143	0.00727	121.1755	LUBBOCK POWER & LIGHT-CO-OP - LUBBOCK POWER & LIGHT-WADSWORTH 69KV CKT 1
20SP	00NR		4	TO->FROM	G15_031_115	LUBBOCK POWER & LIGHT-SLATON - LUBBOCK POWER & LIGHT-SOUTHEAST 69KV CKT 1	142.8	0.00985	110.8228	LUBBOCK POWER & LIGHT-CO-OP - LUBBOCK POWER & LIGHT-WADSWORTH 69KV CKT 1
20SP	00NR		4	TO->FROM	G15_031_115	LUBBOCK POWER & LIGHT-SLATON - LUBBOCK POWER & LIGHT-SOUTHEAST 69KV CKT 1	142.8	0.00591	109.0147	LUBBOCK POWER & LIGHT-OLIVER - LUBBOCK POWER & LIGHT-SOUTHEAST 69KV CKT 1
20SP	06ALL		4	TO->FROM	G15_031_115	NORGE ROAD - SOUTHWESTERN STATION 138KV CKT 1	135.7	0.01118	110.7428	SOUTHWESTERN STATION - VERDEN 138KV CKT 1
20SP	06ALL		4	TO->FROM	G15_031_115	NORGE ROAD - SOUTHWESTERN STATION 138KV CKT 1	135.7	0.01118	109.269	NORTH 29TH CHICKASHA - VERDEN 138KV CKT 1

SEASON	GROUP	SCENARIO	DIRECTION	SOURCE	MONITORED ELEMENT	RATE (MVA)	TDF	CONTINGENCY LOADING %	CONTINGENCY
20SP	06ALL		4	TO->FROM	G15_031_115 NORGE ROAD - SOUTHWESTERN STATION 138KV CKT 1	135.7	0.01599	106.3581	CIMARRON - MINCO 345KV CKT 1
20SP	06ALL		4	TO->FROM	G15_031_115 NORGE ROAD - SOUTHWESTERN STATION 138KV CKT 1	135.7	0.01118	106.1739	CORNVILLE - NORTH 29TH CHICKASHA 138KV CKT 1
20SP	06ALL		4	TO->FROM	G15_031_115 NORGE ROAD - SOUTHWESTERN STATION 138KV CKT 1	135.7	0.01036	104.1164	ANADARKO - CORN TAP 138KV CKT 1
20SP	06ALL		4	TO->FROM	G15_031_115 NORGE ROAD - SOUTHWESTERN STATION 138KV CKT 1	135.7	0.01599	102.8209	GRACEMONT - MINCO 345KV CKT 1
25SP	06ALL		4	TO->FROM	G15_031_115 NORGE ROAD - SOUTHWESTERN STATION 138KV CKT 1	135.8	0.01075	100.0839	SOUTHWESTERN STATION - VERDEN 138KV CKT 1
15SP	06ALL		4	FROM->TO	G15_031_115 PRINGLE INTERCHANGE - SPEARMAN INTERCHANGE 115KV CKT 1	159.7	0.03763	105.0445	PRINGLE INTERCHANGE - SPEARMAN INTERCHANGE 115KV CKT 2
15G	06ALL		4	FROM->TO	G15_031_115 PRINGLE INTERCHANGE - SPEARMAN INTERCHANGE 115KV CKT 1	158.4	0.03629	103.8321	PRINGLE INTERCHANGE - SPEARMAN INTERCHANGE 115KV CKT 2
15G	06ALL		4	FROM->TO	G15_031_115 SHAMROCK (SHAMRCK1) 115/69/14.4KV TRANSFORMER CKT 1	66	0.0137	106.3606	CHISHOLM6 230.00 - SWEETWATER 230KV CKT 1
15G	06ALL		4	FROM->TO	G15_031_115 SHAMROCK (SHAMRCK1) 115/69/14.4KV TRANSFORMER CKT 1	66	0.01242	105.703	HWRDWCK2 69.000 - JERICO 69KV CKT 1
15G	06ALL		4	FROM->TO	G15_031_115 SHAMROCK (SHAMRCK1) 115/69/14.4KV TRANSFORMER CKT 1	66	0.01242	105.703	JERICO - KIRBY SWITCHING STATION 115KV CKT 1
15G	06ALL		4	FROM->TO	G15_031_115 SHAMROCK (SHAMRCK1) 115/69/14.4KV TRANSFORMER CKT 1	66	0.01242	105.703	JERICO (JERIC2WT) 115/69/14.4KV TRANSFORMER CKT 1
15G	06ALL		4	FROM->TO	G15_031_115 SHAMROCK (SHAMRCK1) 115/69/14.4KV TRANSFORMER CKT 1	66	0.01242	104.9455	CLARENDON - HWRDWCK2 69.000 69KV CKT 1
15G	06ALL		4	FROM->TO	G15_031_115 SHAMROCK (SHAMRCK1) 115/69/14.4KV TRANSFORMER CKT 1	66	0.0134	104.7818	G14-074T 345.00 - OKLAUNION 345KV CKT 1
15G	06ALL		4	FROM->TO	G15_031_115 SHAMROCK (SHAMRCK1) 115/69/14.4KV TRANSFORMER CKT 1	67.1	0.0137	104.766	CHISHOLM6 230.00 - SWEETWATER 230KV CKT 1
15G	06ALL		4	FROM->TO	G15_031_115 SHAMROCK (SHAMRCK1) 115/69/14.4KV TRANSFORMER CKT 1	67.1	0.01242	104.2683	HWRDWCK2 69.000 - JERICO 69KV CKT 1
15G	06ALL		4	FROM->TO	G15_031_115 SHAMROCK (SHAMRCK1) 115/69/14.4KV TRANSFORMER CKT 1	67.1	0.01242	104.2683	JERICO - KIRBY SWITCHING STATION 115KV CKT 1
15G	06ALL		4	FROM->TO	G15_031_115 SHAMROCK (SHAMRCK1) 115/69/14.4KV TRANSFORMER CKT 1	67.1	0.01242	104.2683	JERICO (JERIC2WT) 115/69/14.4KV TRANSFORMER CKT 1
15G	06ALL		4	FROM->TO	G15_031_115 SHAMROCK (SHAMRCK1) 115/69/14.4KV TRANSFORMER CKT 1	66	0.0137	104.0879	GRAPEVINE INTERCHANGE - STATELINE INTERCHANGE 230KV CKT 1
15G	06ALL		4	FROM->TO	G15_031_115 SHAMROCK (SHAMRCK1) 115/69/14.4KV TRANSFORMER CKT 1	67.1	0.01242	103.5231	CLARENDON - HWRDWCK2 69.000 69KV CKT 1
15G	06ALL		4	FROM->TO	G15_031_115 SHAMROCK (SHAMRCK1) 115/69/14.4KV TRANSFORMER CKT 1	66	0.01255	103.4849	CHISHOLM6 230.00 - ELK CITY 230KV 230KV CKT 1
15G	06ALL		4	FROM->TO	G15_031_115 SHAMROCK (SHAMRCK1) 115/69/14.4KV TRANSFORMER CKT 1	66	0.01255	103.4849	ELK CITY 230KV (ELKCTY-6) 230/138/13.8KV TRANSFORMER CKT 1
15G	06ALL		4	FROM->TO	G15_031_115 SHAMROCK (SHAMRCK1) 115/69/14.4KV TRANSFORMER CKT 1	66	0.01293	103.3667	CHISHOLM7 345.00 - GRACEMONT 345KV CKT 1
15G	06ALL		4	FROM->TO	G15_031_115 SHAMROCK (SHAMRCK1) 115/69/14.4KV TRANSFORMER CKT 1	67.1	0.0134	103.2131	G14-074T 345.00 - OKLAUNION 345KV CKT 1
15G	06ALL		4	FROM->TO	G15_031_115 SHAMROCK (SHAMRCK1) 115/69/14.4KV TRANSFORMER CKT 1	67.1	0.0137	102.5306	GRAPEVINE INTERCHANGE - STATELINE INTERCHANGE 230KV CKT 1
15G	06ALL		4	FROM->TO	G15_031_115 SHAMROCK (SHAMRCK1) 115/69/14.4KV TRANSFORMER CKT 1	67.1	0.01255	101.9374	CHISHOLM6 230.00 - ELK CITY 230KV 230KV CKT 1
15G	06ALL		4	FROM->TO	G15_031_115 SHAMROCK (SHAMRCK1) 115/69/14.4KV TRANSFORMER CKT 1	67.1	0.01255	101.9374	ELK CITY 230KV (ELKCTY-6) 230/138/13.8KV TRANSFORMER CKT 1
15G	06ALL		4	FROM->TO	G15_031_115 SHAMROCK (SHAMRCK1) 115/69/14.4KV TRANSFORMER CKT 1	66	0.01242	101.9152	CLARENDON - CLARENDON REC 69KV CKT 1
15G	06ALL		4	FROM->TO	G15_031_115 SHAMROCK (SHAMRCK1) 115/69/14.4KV TRANSFORMER CKT 1	67.1	0.01293	101.8212	CHISHOLM7 345.00 - GRACEMONT 345KV CKT 1
15G	06ALL		4	FROM->TO	G15_031_115 SHAMROCK (SHAMRCK1) 115/69/14.4KV TRANSFORMER CKT 1	66	0.0134	101.297	G14-074T 345.00 - TUCO INTERCHANGE 345KV CKT 1
15G	06ALL		4	FROM->TO	G15_031_115 SHAMROCK (SHAMRCK1) 115/69/14.4KV TRANSFORMER CKT 1	66	0.01242	100.703	CLARENDON REC - HEDLEY 69KV CKT 1
15G	06ALL		4	FROM->TO	G15_031_115 SHAMROCK (SHAMRCK1) 115/69/14.4KV TRANSFORMER CKT 1	66	0.01232	100.5849	DBL-G1114-WWRD
15G	06ALL		4	FROM->TO	G15_031_115 SHAMROCK (SHAMRCK1) 115/69/14.4KV TRANSFORMER CKT 1	67.1	0.01242	100.5425	CLARENDON - CLARENDON REC 69KV CKT 1
15G	06ALL		4	FROM->TO	G15_031_115 SHAMROCK (SHAMRCK1) 115/69/14.4KV TRANSFORMER CKT 1	66	0.0137	100.3	SPP-SWPS-02
15G	06ALL		4	FROM->TO	G15_031_115 SHAMROCK (SHAMRCK1) 115/69/14.4KV TRANSFORMER CKT 1	66	0.0137	100.3	STATELINE INTERCHANGE - STLN-DEMARC6 230KV CKT 1
15G	06ALL		4	FROM->TO	G15_031_115 SHAMROCK (SHAMRCK1) 115/69/14.4KV TRANSFORMER CKT 1	66	0.0137	100.3	STLN-DEMARC6 - SWEETWATER 230KV CKT 1
15SP	06ALL		4	FROM->TO	G15_031_115 SHAMROCK (SHAMRCK1) 115/69/14.4KV TRANSFORMER CKT 1	67.2	0.01236	100.2946	HWRDWCK2 69.000 - JERICO 69KV CKT 1
15SP	06ALL		4	FROM->TO	G15_031_115 SHAMROCK (SHAMRCK1) 115/69/14.4KV TRANSFORMER CKT 1	67.2	0.01236	100.2946	JERICO - KIRBY SWITCHING STATION 115KV CKT 1
15SP	06ALL		4	FROM->TO	G15_031_115 SHAMROCK (SHAMRCK1) 115/69/14.4KV TRANSFORMER CKT 1	67.2	0.01236	100.2946	JERICO (JERIC2WT) 115/69/14.4KV TRANSFORMER CKT 1
20WP	06ALL		4	TO->FROM	G15_031_115 SUNSHINE CANYON - TUTTLE 138KV CKT 1	140.9	0.02093	108.907	CIMARRON - MINCO 345KV CKT 1
20SP	06ALL		4	TO->FROM	G15_031_115 SUNSHINE CANYON - TUTTLE 138KV CKT 1	141.6	0.02194	104.6299	CIMARRON - MINCO 345KV CKT 1
20WP	06ALL		4	TO->FROM	G15_031_115 SUNSHINE CANYON - TUTTLE 138KV CKT 1	140.9	0.02093	104.2228	GRACEMONT - MINCO 345KV CKT 1
15SP	06ALL		4	TO->FROM	G15_031_115 SUNSHINE CANYON - TUTTLE 138KV CKT 1	141.6	0.0233	103.9308	CIMARRON - MINCO 345KV CKT 1
15SP	06ALL		4	FROM->TO	G15_031_115 THOMAS TAP - WEATHERFORD 69KV CKT 1	39	0.00793	114.2821	CLINTON JUNCTION - CLINTON NATURAL GAS TAP 138KV CKT 1
15G	06ALL		4	FROM->TO	G15_031_115 TUCO INTERCHANGE (GE M1022338) 345/230/13.2KV TRANSFORMER CKT 1	555.3	0.16384	101.5768	TUCO INTERCHANGE (SIEM 8743066) 345/230/13.2KV TRANSFORMER CKT 2
15G	06ALL		4	FROM->TO	G15_031_115 TUCO INTERCHANGE (GE M1022338) 345/230/13.2KV TRANSFORMER CKT 1	557.5	0.16384	101.1222	TUCO INTERCHANGE (SIEM 8743066) 345/230/13.2KV TRANSFORMER CKT 2
20WP	06ALL		4	TO->FROM	G15_031_115 TUCO_2 345.00 (TUCO_2 XFMR) 345/230/13.2KV TRANSFORMER CKT 1	559.6	0.17842	110.6651	TUCO INTERCHANGE - TUCO_2 345.00 345KV CKT 1
20WP	06ALL		4	TO->FROM	G15_031_115 TUCO_2 345.00 (TUCO_2 XFMR) 345/230/13.2KV TRANSFORMER CKT 1	559.9	0.17842	110.5522	TUCO INTERCHANGE - TUCO_2 345.00 345KV CKT 1
15G	06ALL		4	FROM->TO	G15_031_115 WICHITA (WICH TX-12) 345/138/13.8KV TRANSFORMER CKT 1	413.2	0.01233	106.6651	WICHITA (WICH TX-11) 345/138/13.8KV TRANSFORMER CKT 1
15G	06ALL		4	FROM->TO	G15_031_115 WICHITA (WICH TX-12) 345/138/13.8KV TRANSFORMER CKT 1	419.7	0.01233	104.894	WICHITA (WICH TX-11) 345/138/13.8KV TRANSFORMER CKT 1
15WP	06ALL		4	FROM->TO	G15_031_115 WICHITA (WICH TX-12) 345/138/13.8KV TRANSFORMER CKT 1	414.2	0.01199	102.4003	WICHITA (WICH TX-11) 345/138/13.8KV TRANSFORMER CKT 1
15WP	06ALL		4	FROM->TO	G15_031_115 WICHITA (WICH TX-12) 345/138/13.8KV TRANSFORMER CKT 1	420.2	0.01199	100.8191	WICHITA (WICH TX-11) 345/138/13.8KV TRANSFORMER CKT 1
25SP	00NR		4	FROM->TO	G15_031_115 WOLFFORTH INTERCHANGE (WH 7001668) 230/115/13.2KV TRANSFORMER CKT 1	140.4	0.02007	100.7984	CARLISLE INTERCHANGE - LP-DOUD_TP 3115.00 115KV CKT 1
15G	06ALL		4	FROM->TO	G15_031_115 WOODWARD (WOODWRD2) 138/69/13.2KV TRANSFORMER CKT 1	133.3	0.0105	100.054	FPL SWITCH - MOORELAND 138KV CKT 1
25SP	00NR		5	TO->FROM	G15_031_115 LUBBOCK POWER & LIGHT-CO-OP - LUBBOCK POWER & LIGHT-SLATON 69KV CKT 1	53.5	0.00704	154.4149	LUBBOCK POWER & LIGHT-CO-OP - LUBBOCK POWER & LIGHT-WADSWORTH 69KV CKT 1
20SP	00NR		5	TO->FROM	G15_031_115 LUBBOCK POWER & LIGHT-CO-OP - LUBBOCK POWER & LIGHT-SLATON 69KV CKT 1	53.6	0.00981	138.3265	LUBBOCK POWER & LIGHT-CO-OP - LUBBOCK POWER & LIGHT-WADSWORTH 69KV CKT 1
15SP	00NR		5	TO->FROM	G15_031_115 LUBBOCK POWER & LIGHT-CO-OP - LUBBOCK POWER & LIGHT-SLATON 69KV CKT 1	53.9	0.00951	115.3117	LUBBOCK POWER & LIGHT-CO-OP - LUBBOCK POWER & LIGHT-WADSWORTH 69KV CKT 1
20WP	00NR		5	TO->FROM	G15_031_115 LUBBOCK POWER & LIGHT-CO-OP - LUBBOCK POWER & LIGHT-SLATON 69KV CKT 1	53.9	0.016	105.3803	LUBBOCK POWER & LIGHT-CO-OP - LUBBOCK POWER & LIGHT-WADSWORTH 69KV CKT 1
25SP	00NR		5	TO->FROM	G15_031_115 LUBBOCK POWER & LIGHT-CO-OP - LUBBOCK POWER & LIGHT-WADSWORTH 69KV CKT 1	105.6	0.00708	126.9167	BASE CASE
25SP	00NR		5	TO->FROM	G15_031_115 LUBBOCK POWER & LIGHT-CO-OP - LUBBOCK POWER & LIGHT-WADSWORTH 69KV CKT 1	141.2	0.00859	125.4795	LUBBOCK POWER & LIGHT-SLATON - LUBBOCK POWER & LIGHT-SOUTHEAST 69KV CKT 1

SEASON	GROUP	SCENARIO	DIRECTION	SOURCE	MONITORED ELEMENT	RATE (MVA)	TDF	CONTINGENCY LOADING %	CONTINGENCY
25SP	00NR		5 TO->FROM	G15_031_115	LUBBOCK POWER & LIGHT-CO-OP - LUBBOCK POWER & LIGHT-WADSWORTH 69KV CKT 1	141.2	0.00938	116.0864	LUBBOCK POWER & LIGHT-SOUTHEAST - LUBBOCK SOUTH INTERCHANGE 230KV CKT 1
25SP	00NR		5 TO->FROM	G15_031_115	LUBBOCK POWER & LIGHT-CO-OP - LUBBOCK POWER & LIGHT-WADSWORTH 69KV CKT 1	141.2	0.00888	114.2804	LUBBOCK POWER & LIGHT-HOLLY GEN - LUBBOCK POWER & LIGHT-NORTHEAST 69KV CKT 1
20SP	00NR		5 TO->FROM	G15_031_115	LUBBOCK POWER & LIGHT-CO-OP - LUBBOCK POWER & LIGHT-WADSWORTH 69KV CKT 1	108	0.00975	113.6343	BASE CASE
20SP	00NR		5 TO->FROM	G15_031_115	LUBBOCK POWER & LIGHT-CO-OP - LUBBOCK POWER & LIGHT-WADSWORTH 69KV CKT 1	143	0.01175	113.3741	LUBBOCK POWER & LIGHT-SLATON - LUBBOCK POWER & LIGHT-SOUTHEAST 69KV CKT 1
25SP	00NR		5 TO->FROM	G15_031_115	LUBBOCK POWER & LIGHT-CO-OP - LUBBOCK POWER & LIGHT-WADSWORTH 69KV CKT 1	141.2	0.0091	111.0694	CARLISLE INTERCHANGE - LUBBOCK POWER & LIGHT-MILWAUKEE 230KV CKT 1
25SP	00NR		5 TO->FROM	G15_031_115	LUBBOCK POWER & LIGHT-CO-OP - LUBBOCK POWER & LIGHT-WADSWORTH 69KV CKT 1	141.2	0.0091	110.9986	LUBBOCK POWER & LIGHT-MILWAUKEE (M-E C0681251) 230/69/13.5KV TRANSFORMER CKT 1
25SP	00NR		5 TO->FROM	G15_031_115	LUBBOCK POWER & LIGHT-CO-OP - LUBBOCK POWER & LIGHT-WADSWORTH 69KV CKT 1	141.2	0.0091	110.9986	SPP-SWPS-K39
15SP	00NR		5 TO->FROM	G15_031_115	LUBBOCK POWER & LIGHT-CO-OP - LUBBOCK POWER & LIGHT-WADSWORTH 69KV CKT 1	108	0.0105	109.6759	BASE CASE
25SP	00NR		5 TO->FROM	G15_031_115	LUBBOCK POWER & LIGHT-CO-OP - LUBBOCK POWER & LIGHT-WADSWORTH 69KV CKT 1	141.2	0.00735	108.7854	LUBBOCK POWER & LIGHT-OLIVER - LUBBOCK POWER & LIGHT-SOUTHEAST 69KV CKT 1
15SP	00NR		5 TO->FROM	G15_031_115	LUBBOCK POWER & LIGHT-CO-OP - LUBBOCK POWER & LIGHT-WADSWORTH 69KV CKT 1	143	0.01203	104.5517	LUBBOCK POWER & LIGHT-SLATON - LUBBOCK POWER & LIGHT-SOUTHEAST 69KV CKT 1
25SP	00NR		5 TO->FROM	G15_031_115	LUBBOCK POWER & LIGHT-CO-OP - LUBBOCK POWER & LIGHT-WADSWORTH 69KV CKT 1	141.2	0.00888	103.4448	LUBBOCK POWER & LIGHT-MACKENZIE GEN - LUBBOCK POWER & LIGHT-NORTHEAST 69KV CKT 1
20SP	00NR		5 TO->FROM	G15_031_115	LUBBOCK POWER & LIGHT-CO-OP - LUBBOCK POWER & LIGHT-WADSWORTH 69KV CKT 1	143	0.01207	103.3713	LUBBOCK POWER & LIGHT-HOLLY GEN - LUBBOCK POWER & LIGHT-NORTHEAST 69KV CKT 1
20SP	00NR		5 TO->FROM	G15_031_115	LUBBOCK POWER & LIGHT-CO-OP - LUBBOCK POWER & LIGHT-WADSWORTH 69KV CKT 1	143	0.01345	103.3112	LUBBOCK POWER & LIGHT-SOUTHEAST - LUBBOCK SOUTH INTERCHANGE 230KV CKT 1
25SP	00NR		5 TO->FROM	G15_031_115	LUBBOCK POWER & LIGHT-CO-OP - LUBBOCK POWER & LIGHT-WADSWORTH 69KV CKT 1	141.2	0.00794	102.8201	LUBBOCK POWER & LIGHT-SOUTHEAST (ABB 60258) 230/69/13.5KV TRANSFORMER CKT 1
25SP	00NR		5 TO->FROM	G15_031_115	LUBBOCK POWER & LIGHT-CO-OP - LUBBOCK POWER & LIGHT-WADSWORTH 69KV CKT 1	141.2	0.00789	102.3137	LUBBOCK POWER & LIGHT-SOUTHEAST (FRM WADSWRTH) 230/69/13.5KV TRANSFORMER CKT 2
25SP	00NR		5 TO->FROM	G15_031_115	LUBBOCK POWER & LIGHT-CO-OP - LUBBOCK POWER & LIGHT-WADSWORTH 69KV CKT 1	141.2	0.00742	101.5765	LUBBOCK POWER & LIGHT-CHALKER - LUBBOCK POWER & LIGHT-THOMPSON 69KV CKT 1
25SP	00NR		5 TO->FROM	G15_031_115	LUBBOCK POWER & LIGHT-CO-OP - LUBBOCK POWER & LIGHT-WADSWORTH 69KV CKT 1	141.2	0.0065	100.8853	LUBBOCK POWER & LIGHT-HOLLY GEN - LUBBOCK POWER & LIGHT-SOUTHEAST 69KV CKT 1
25SP	00NR		5 TO->FROM	G15_031_115	LUBBOCK POWER & LIGHT-CO-OP - LUBBOCK POWER & LIGHT-WADSWORTH 69KV CKT 1	141.2	0.00735	100.4993	LUBBOCK POWER & LIGHT-CHALKER - LUBBOCK POWER & LIGHT-OLIVER 69KV CKT 1
25SP	00NR		5 TO->FROM	G15_031_115	LUBBOCK POWER & LIGHT-SLATON - LUBBOCK POWER & LIGHT-SOUTHEAST 69KV CKT 1	143	0.00727	121.1755	LUBBOCK POWER & LIGHT-CO-OP - LUBBOCK POWER & LIGHT-WADSWORTH 69KV CKT 1
20SP	00NR		5 TO->FROM	G15_031_115	LUBBOCK POWER & LIGHT-SLATON - LUBBOCK POWER & LIGHT-SOUTHEAST 69KV CKT 1	142.8	0.00985	110.8228	LUBBOCK POWER & LIGHT-CO-OP - LUBBOCK POWER & LIGHT-WADSWORTH 69KV CKT 1
20SP	00NR		5 TO->FROM	G15_031_115	LUBBOCK POWER & LIGHT-SLATON - LUBBOCK POWER & LIGHT-SOUTHEAST 69KV CKT 1	142.8	0.00591	109.0147	LUBBOCK POWER & LIGHT-OLIVER - LUBBOCK POWER & LIGHT-SOUTHEAST 69KV CKT 1
25SP	00NR		5 FROM->TO	G15_031_115	WOLFFORTH INTERCHANGE (WH 7001668) 230/115/13.2KV TRANSFORMER CKT 1	140.4	0.02007	100.7984	CARLISLE INTERCHANGE - LP-DOUD_TP 3115.00 115KV CKT 1
20SP	06ALL		0 FROM->TO	G15_032_115	ANADARKO - CORN TAP 138KV CKT 1	142.8	0.01475	100.2171	CIMARRON - MINCO 345KV CKT 1
15G	06ALL		0 TO->FROM	G15_032_115	ANADARKO - GRACMNT4 138.00 138KV CKT 1	225.1	0.05329	127.6597	CIMARRON - MINCO 345KV CKT 1
15G	06ALL		0 TO->FROM	G15_032_115	ANADARKO - GRACMNT4 138.00 138KV CKT 1	225.1	0.05329	119.4856	GRACEMONT - MINCO 345KV CKT 1
15G	06ALL		0 TO->FROM	G15_032_115	ANADARKO - GRACMNT4 138.00 138KV CKT 1	225.1	0.03029	106.9613	SOUTHWESTERN STATION - WASHITA 138KV CKT 1
15SP	06ALL		0 FROM->TO	G15_032_115	BENTLEY4 138.00 - HALSTEAD SOUTH BUS 138KV CKT 1	142.2	0.00691	108.2771	RENO COUNTY - WICHITA 345KV CKT 1
20WP	06ALL		0 FROM->TO	G15_032_115	CLEARWATER - GILL ENERGY CENTER WEST 138KV CKT 1	142.9	0.01157	119.4794	GILL ENERGY CENTER SOUTH - VIOLA 4 138.00 138KV CKT 1
20SP	06ALL		0 FROM->TO	G15_032_115	CLEARWATER - GILL ENERGY CENTER WEST 138KV CKT 1	142.2	0.01391	102.4191	GILL ENERGY CENTER SOUTH - VIOLA 4 138.00 138KV CKT 1
15SP	06ALL		0 TO->FROM	G15_032_115	CLINTON CITY - FOSS TAP 69KV CKT 1	74.5	0.00796	103.4416	CLINTON JUNCTION - CLINTON NATURAL GAS TAP 138KV CKT 1
15SP	06ALL		0 FROM->TO	G15_032_115	CLINTON CITY - THOMAS TAP 69KV CKT 1	38.9	0.00796	125.6144	CLINTON JUNCTION - CLINTON NATURAL GAS TAP 138KV CKT 1
20SP	06ALL		0 FROM->TO	G15_032_115	CLINTON CITY - THOMAS TAP 69KV CKT 1	39	0.00759	102.9436	CLINTON JUNCTION - CLINTON NATURAL GAS TAP 138KV CKT 1
15G	06ALL		0 FROM->TO	G15_032_115	CLINTON CITY - THOMAS TAP 69KV CKT 1	47.9	0.00774	101.1106	CLINTON JUNCTION - CLINTON NATURAL GAS TAP 138KV CKT 1
15SP	06ALL		0 TO->FROM	G15_032_115	CLINTON JUNCTION - ELK CITY 138KV CKT 1	148.8	0.04299	140.6331	CHISHOLM7 345.00 - GRACEMONT 345KV CKT 1
15G	06ALL		0 TO->FROM	G15_032_115	CLINTON JUNCTION - ELK CITY 138KV CKT 1	185.1	0.04154	124.094	CHISHOLM7 345.00 - GRACEMONT 345KV CKT 1
15SP	06ALL		0 TO->FROM	G15_032_115	CLINTON JUNCTION - ELK CITY 138KV CKT 1	148.8	0.0362	122.871	G14-074T 345.00 - OKLAUNION 345KV CKT 1
15SP	06ALL		0 TO->FROM	G15_032_115	CLINTON JUNCTION - ELK CITY 138KV CKT 1	148.8	0.02223	120.3481	ONEY - WASHITA 138KV CKT 1
15SP	06ALL		0 TO->FROM	G15_032_115	CLINTON JUNCTION - ELK CITY 138KV CKT 1	148.8	0.0362	118.8387	G14-074T 345.00 - TUCO INTERCHANGE 345KV CKT 1
15SP	06ALL		0 TO->FROM	G15_032_115	CLINTON JUNCTION - ELK CITY 138KV CKT 1	148.8	0.03294	118.0914	NORTHWEST - TATONGA7 345.00 345KV CKT 1
15SP	06ALL		0 TO->FROM	G15_032_115	CLINTON JUNCTION - ELK CITY 138KV CKT 1	148.8	0.02223	117.7943	BINGER NIJECT - ONEY 138KV CKT 1
15SP	06ALL		0 TO->FROM	G15_032_115	CLINTON JUNCTION - ELK CITY 138KV CKT 1	148.8	0.03294	117.621	SPSCont-05b
15SP	06ALL		0 TO->FROM	G15_032_115	CLINTON JUNCTION - ELK CITY 138KV CKT 1	148.8	0.03294	117.2177	SPSCont-04
15SP	06ALL		0 TO->FROM	G15_032_115	CLINTON JUNCTION - ELK CITY 138KV CKT 1	148.8	0.03348	117.0444	DBL-THIS-WWRD
15SP	06ALL		0 TO->FROM	G15_032_115	CLINTON JUNCTION - ELK CITY 138KV CKT 1	132.4	0.029	116.148	BASE CASE
15SP	06ALL		0 TO->FROM	G15_032_115	CLINTON JUNCTION - ELK CITY 138KV CKT 1	148.8	0.03291	115.5927	CLINTON AIR FORCE BASE TAP - ELK CITY 138KV CKT 1
15SP	06ALL		0 TO->FROM	G15_032_115	CLINTON JUNCTION - ELK CITY 138KV CKT 1	148.8	0.03571	115.371	CHISHOLM7 345.00 - WOODWARD DISTRICT EHV 345KV CKT 1

SEASON	GROUP	SCENARIO	DIRECTION	SOURCE	MONITORED ELEMENT	RATE (MVA)	TDF	CONTINGENCY LOADING %	CONTINGENCY	
15SP	06ALL		0	TO->FROM	G15_032_115	CLINTON JUNCTION - ELK CITY 138KV CKT 1	148.8	0.03291	114.7191	CLINTON AIR FORCE BASE TAP - HOBART JUNCTION 138KV CKT 1
15SP	06ALL		0	TO->FROM	G15_032_115	CLINTON JUNCTION - ELK CITY 138KV CKT 1	148.8	0.02223	113.6277	BINGER NIJECT - SICKLES 138KV CKT 1
15SP	06ALL		0	TO->FROM	G15_032_115	CLINTON JUNCTION - ELK CITY 138KV CKT 1	148.8	0.03294	113.5215	G11_051T 345.00 - TATONGA7 345.00 345KV CKT 1
15SP	06ALL		0	TO->FROM	G15_032_115	CLINTON JUNCTION - ELK CITY 138KV CKT 1	148.8	0.02223	113.0228	CLINTON JUNCTION - G07-32T 138.00 138KV CKT 1
15SP	06ALL		0	TO->FROM	G15_032_115	CLINTON JUNCTION - ELK CITY 138KV CKT 1	148.8	0.029	112.8898	G07-32 138.00 - G07-32T 138.00 138KV CKT 1
15SP	06ALL		0	TO->FROM	G15_032_115	CLINTON JUNCTION - ELK CITY 138KV CKT 1	148.8	0.029	112.8898	G07-32 138.00 138/34.5KV TRANSFORMER CKT 1
15SP	06ALL		0	TO->FROM	G15_032_115	CLINTON JUNCTION - ELK CITY 138KV CKT 1	148.8	0.029	112.8898	G07-32 34.500 34.5/12.0KV TRANSFORMER CKT 1
15SP	06ALL		0	TO->FROM	G15_032_115	CLINTON JUNCTION - ELK CITY 138KV CKT 1	148.8	0.029	111.4785	WASHITA - WEATHERFORD WIND FARM 34 KV 34.5KV CKT 1
15WP	06ALL		0	TO->FROM	G15_032_115	CLINTON JUNCTION - ELK CITY 138KV CKT 1	186.8	0.04393	111.1991	CHISHOLM7 345.00 - GRACEMONT 345KV CKT 1
20SP	06ALL		0	TO->FROM	G15_032_115	CLINTON JUNCTION - ELK CITY 138KV CKT 1	151.1	0.04264	109.4322	CHISHOLM7 345.00 - GRACEMONT 345KV CKT 1
20SP	06ALL		0	TO->FROM	G15_032_115	CLINTON JUNCTION - ELK CITY 138KV CKT 1	151.1	0.02211	106.4937	ONEY - WASHITA 138KV CKT 1
15G	06ALL		0	TO->FROM	G15_032_115	CLINTON JUNCTION - ELK CITY 138KV CKT 1	185.1	0.03489	105.8087	G14-074T 345.00 - OKLAUNION 345KV CKT 1
20SP	06ALL		0	TO->FROM	G15_032_115	CLINTON JUNCTION - ELK CITY 138KV CKT 1	151.1	0.02211	103.9126	BINGER NIJECT - ONEY 138KV CKT 1
20WP	06ALL		0	TO->FROM	G15_032_115	CLINTON JUNCTION - ELK CITY 138KV CKT 1	187.5	0.04206	102.7755	CHISHOLM7 345.00 - GRACEMONT 345KV CKT 1
15G	06ALL		0	TO->FROM	G15_032_115	CLINTON JUNCTION - ELK CITY 138KV CKT 1	185.1	0.03489	102.6753	G14-074T 345.00 - TUCO INTERCHANGE 345KV CKT 1
15G	06ALL		0	TO->FROM	G15_032_115	CLINTON JUNCTION - ELK CITY 138KV CKT 1	185.1	0.03185	102.3652	NORTHWEST - TATONGA7 345.00 345KV CKT 1
15G	06ALL		0	TO->FROM	G15_032_115	CLINTON JUNCTION - ELK CITY 138KV CKT 1	185.1	0.03185	101.987	SPSCont-05b
15G	06ALL		0	TO->FROM	G15_032_115	CLINTON JUNCTION - ELK CITY 138KV CKT 1	185.1	0.03185	101.6629	SPSCont-04
15G	06ALL		0	TO->FROM	G15_032_115	CLINTON JUNCTION - ELK CITY 138KV CKT 1	185.1	0.03166	101.5505	CLINTON AIR FORCE BASE TAP - ELK CITY 138KV CKT 1
15G	06ALL		0	TO->FROM	G15_032_115	CLINTON JUNCTION - ELK CITY 138KV CKT 1	185.1	0.03166	100.9562	CLINTON AIR FORCE BASE TAP - HOBART JUNCTION 138KV CKT 1
15G	06ALL		0	TO->FROM	G15_032_115	CLINTON JUNCTION - ELK CITY 138KV CKT 1	185.1	0.03454	100.2604	CHISHOLM7 345.00 - WOODWARD DISTRICT EHV 345KV CKT 1
15G	06ALL		0	TO->FROM	G15_032_115	CLINTON JUNCTION - ELK CITY 138KV CKT 1	185.1	0.03226	100.0194	DBL-THIS-WWRD
15SP	06ALL		0	FROM->TO	G15_032_115	CLINTON JUNCTION - FOSS TAP 69KV CKT 1	74.7	0.00796	104.3695	CLINTON JUNCTION - CLINTON NATURAL GAS TAP 138KV CKT 1
15SP	06ALL		0	TO->FROM	G15_032_115	COMANCHE TAP - TOSCO 69KV CKT 1	39	0.00562	103.882	G14-057T 345.00 - SUNNYSIDE 345KV CKT 1
15SP	06ALL		0	TO->FROM	G15_032_115	COMANCHE TAP - TOSCO 69KV CKT 1	39	0.00562	101.0615	G14-057T 345.00 - LAWTON EASTSIDE 345KV CKT 1
20WP	06ALL		0	FROM->TO	G15_032_115	CORN TAP - PAYNE 138.00 138KV CKT 1	141.6	0.01779	111.1991	G14-057T 345.00 - SUNNYSIDE 345KV CKT 1
20WP	06ALL		0	FROM->TO	G15_032_115	CORN TAP - PAYNE 138.00 138KV CKT 1	141.6	0.01779	109.4336	G14-057T 345.00 - LAWTON EASTSIDE 345KV CKT 1
15WP	06ALL		0	FROM->TO	G15_032_115	CORN TAP - PAYNE 138.00 138KV CKT 1	141.4	0.01847	109.0948	G14-057T 345.00 - SUNNYSIDE 345KV CKT 1
20WP	06ALL		0	FROM->TO	G15_032_115	CORN TAP - PAYNE 138.00 138KV CKT 1	141.6	0.01809	107.5127	CIMARRON - MINCO 345KV CKT 1
15WP	06ALL		0	FROM->TO	G15_032_115	CORN TAP - PAYNE 138.00 138KV CKT 1	141.4	0.01847	107.3975	G14-057T 345.00 - LAWTON EASTSIDE 345KV CKT 1
20WP	06ALL		0	FROM->TO	G15_032_115	CORN TAP - PAYNE 138.00 138KV CKT 1	141.6	0.01415	105.822	ANADARKO - BLANCHARD 138KV CKT 1
20WP	06ALL		0	FROM->TO	G15_032_115	CORN TAP - PAYNE 138.00 138KV CKT 1	141.6	0.01809	104.476	GRACEMONT - MINCO 345KV CKT 1
20WP	06ALL		0	FROM->TO	G15_032_115	CORN TAP - PAYNE 138.00 138KV CKT 1	141.6	0.01415	103.8446	BLANCHARD - OUSW4 138KV CKT 1
15WP	06ALL		0	FROM->TO	G15_032_115	CORN TAP - PAYNE 138.00 138KV CKT 1	141.4	0.01889	102.0594	CIMARRON - MINCO 345KV CKT 1
15WP	06ALL		0	FROM->TO	G15_032_115	CORN TAP - PAYNE 138.00 138KV CKT 1	141.4	0.01475	100.6351	ANADARKO - BLANCHARD 138KV CKT 1
15SP	06ALL		0	FROM->TO	G15_032_115	DUNCAN - TOSCO 69KV CKT 1	38.9	0.00562	108.2622	G14-057T 345.00 - SUNNYSIDE 345KV CKT 1
15SP	06ALL		0	FROM->TO	G15_032_115	DUNCAN - TOSCO 69KV CKT 1	38.9	0.00562	105.6915	G14-057T 345.00 - LAWTON EASTSIDE 345KV CKT 1
15WP	06ALL		0	FROM->TO	G15_032_115	DUNCAN - TOSCO 69KV CKT 1	47.8	0.00581	100.908	G14-057T 345.00 - SUNNYSIDE 345KV CKT 1
20WP	06ALL		0	FROM->TO	G15_032_115	DUNCAN - TOSCO 69KV CKT 1	47.9	0.00545	100.8601	G14-057T 345.00 - SUNNYSIDE 345KV CKT 1
15SP	06ALL		0	TO->FROM	G15_032_115	EARLSBORO 4138.00 - MAUD 138KV CKT 1	97.7	0.00719	106.0778	MAUD (MAUD1) 138/69/13.2KV TRANSFORMER CKT 1
15SP	06ALL		0	TO->FROM	G15_032_115	EARLSBORO 4138.00 - MAUD 138KV CKT 1	97.7	0.00699	101.042	CANADIAN RIVER - MCALESTER SOUTH 138KV CKT 1
15SP	06ALL		0	TO->FROM	G15_032_115	EARLSBORO 4138.00 - MAUD 138KV CKT 1	97.7	0.00699	101.042	G14-074T 345.00 - OKLAUNION 345KV CKT 1
25SP	06ALL		0	FROM->TO	G15_032_115	EDDY_NORTH 6230.00 (WAUK W01134) 230/115/13.2KV TRANSFORMER CKT 2	285	0.00754	104.5333	EDDY COUNTY INTERCHANGE - EDDY_NORTH 6230.00 230KV CKT @1
25SP	06ALL		0	FROM->TO	G15_032_115	EDDY_NORTH 6230.00 (WAUK W01134) 230/115/13.2KV TRANSFORMER CKT 2	286.3	0.00754	103.9888	EDDY COUNTY INTERCHANGE - EDDY_NORTH 6230.00 230KV CKT @1
15G	06ALL		0	FROM->TO	G15_032_115	ELDORADO - ELDORADO JCT 69KV CKT 1	26.9	0.0089	101.5316	LAKE PAULINE - RUSSELL 138KV CKT 1
15G	06ALL		0	FROM->TO	G15_032_115	ELK CITY 230KV (ELKCTY-6) 230/138/13.8KV TRANSFORMER CKT 1	446.9	0.09644	117.0893	CHISHOLM7 345.00 - GRACEMONT 345KV CKT 1
15SP	06ALL		0	FROM->TO	G15_032_115	ELK CITY 230KV (ELKCTY-6) 230/138/13.8KV TRANSFORMER CKT 1	446.4	0.10213	117.0798	CHISHOLM7 345.00 - GRACEMONT 345KV CKT 1
15G	06ALL		0	FROM->TO	G15_032_115	ELK CITY 230KV (ELKCTY-6) 230/138/13.8KV TRANSFORMER CKT 1	449.3	0.09644	116.5529	CHISHOLM7 345.00 - GRACEMONT 345KV CKT 1
15SP	06ALL		0	FROM->TO	G15_032_115	ELK CITY 230KV (ELKCTY-6) 230/138/13.8KV TRANSFORMER CKT 1	449.3	0.10213	116.4353	CHISHOLM7 345.00 - GRACEMONT 345KV CKT 1
15WP	06ALL		0	FROM->TO	G15_032_115	ELK CITY 230KV (ELKCTY-6) 230/138/13.8KV TRANSFORMER CKT 1	447.2	0.10495	112.4857	CHISHOLM7 345.00 - GRACEMONT 345KV CKT 1
15WP	06ALL		0	FROM->TO	G15_032_115	ELK CITY 230KV (ELKCTY-6) 230/138/13.8KV TRANSFORMER CKT 1	449.3	0.10495	112.049	CHISHOLM7 345.00 - GRACEMONT 345KV CKT 1
20WP	06ALL		0	FROM->TO	G15_032_115	ELK CITY 230KV (ELKCTY-6) 230/138/13.8KV TRANSFORMER CKT 1	448.3	0.10081	106.8178	CHISHOLM7 345.00 - GRACEMONT 345KV CKT 1
20WP	06ALL		0	FROM->TO	G15_032_115	ELK CITY 230KV (ELKCTY-6) 230/138/13.8KV TRANSFORMER CKT 1	449.7	0.10081	106.5519	CHISHOLM7 345.00 - GRACEMONT 345KV CKT 1
15SP	06ALL		0	FROM->TO	G15_032_115	ELK CITY 230KV (ELKCTY-6) 230/138/13.8KV TRANSFORMER CKT 1	446.4	0.0867	103.6644	G14-074T 345.00 - OKLAUNION 345KV CKT 1
15SP	06ALL		0	FROM->TO	G15_032_115	ELK CITY 230KV (ELKCTY-6) 230/138/13.8KV TRANSFORMER CKT 1	449.3	0.0867	103.1066	G14-074T 345.00 - OKLAUNION 345KV CKT 1
15SP	06ALL		0	FROM->TO	G15_032_115	ELK CITY 230KV (ELKCTY-6) 230/138/13.8KV TRANSFORMER CKT 1	446.4	0.093	101.849	CHISHOLM7 345.00 - WOODWARD DISTRICT EHV 345KV CKT 1
15SP	06ALL		0	FROM->TO	G15_032_115	ELK CITY 230KV (ELKCTY-6) 230/138/13.8KV TRANSFORMER CKT 1	449.3	0.093	101.2807	CHISHOLM7 345.00 - WOODWARD DISTRICT EHV 345KV CKT 1
15SP	06ALL		0	FROM->TO	G15_032_115	ELK CITY 230KV (ELKCTY-6) 230/138/13.8KV TRANSFORMER CKT 1	446.4	0.0867	100.2146	G14-074T 345.00 - TUCO INTERCHANGE 345KV CKT 1
15G	06ALL		0	FROM->TO	G15_032_115	FPL SWITCH - MOORELAND 138KV CKT 1	284.1	0.04602	119.1137	DBL-THIS-WWRD
15G	06ALL		0	FROM->TO	G15_032_115	FPL SWITCH - MOORELAND 138KV CKT 1	284.1	0.03768	111.6353	NORTHWEST - TATONGA7 345.00 345KV CKT 1
15G	06ALL		0	FROM->TO	G15_032_115	FPL SWITCH - MOORELAND 138KV CKT 1	284.1	0.03768	110.0866	SPSCont-04
15G	06ALL		0	FROM->TO	G15_032_115	FPL SWITCH - MOORELAND 138KV CKT 1	284.1	0.03768	109.8402	SPSCont-05b
15G	06ALL		0	FROM->TO	G15_032_115	FPL SWITCH - MOORELAND 138KV CKT 1	284.1	0.03734	108.34	CHISHOLM6 230.00 - ELK CITY 230KV 230KV CKT 1
15G	06ALL		0	FROM->TO	G15_032_115	FPL SWITCH - MOORELAND 138KV CKT 1	284.1	0.03734	108.34	ELK CITY 230KV (ELKCTY-6) 230/138/13.8KV TRANSFORMER CKT 1

SEASON	GROUP	SCENARIO	DIRECTION	SOURCE	MONITORED ELEMENT	RATE (MVA)	TDF	CONTINGENCY		CONTINGENCY
								LOADING %		
15G	06ALL	0	FROM->TO	G15_032_115	FPL SWITCH - MOORELAND 138KV CKT 1	284.1	0.03768	104.6308	G11_051T 345.00 - TATONGA7 345.00 345KV CKT 1	
15G	06ALL	0	FROM->TO	G15_032_115	FPL SWITCH - MOORELAND 138KV CKT 1	284.1	0.03768	103.8564	G11_051T 345.00 - WOODWARD DISTRICT EHV 345KV CKT 1	
15G	06ALL	0	FROM->TO	G15_032_115	FPL SWITCH - MOORELAND 138KV CKT 1	284.1	0.03768	102.1668	SPSCont-05ax	
15G	06ALL	0	FROM->TO	G15_032_115	FPL SWITCH - MOORELAND 138KV CKT 1	284.1	0.02875	101.9894	WOODWARD (WOODWRD2) 138/69/13.2KV TRANSFORMER CKT 1	
15G	06ALL	0	TO->FROM	G15_032_115	FPL SWITCH - WOODWARD 138KV CKT 1	285.2	0.04602	112.2728	DBL-THIS-WWRD	
15G	06ALL	0	TO->FROM	G15_032_115	FPL SWITCH - WOODWARD 138KV CKT 1	285.2	0.03768	104.8583	NORTHWEST - TATONGA7 345.00 345KV CKT 1	
15G	06ALL	0	TO->FROM	G15_032_115	FPL SWITCH - WOODWARD 138KV CKT 1	285.2	0.03768	103.3156	SPSCont-04	
15G	06ALL	0	TO->FROM	G15_032_115	FPL SWITCH - WOODWARD 138KV CKT 1	285.2	0.03768	103.0701	SPSCont-05b	
15G	06ALL	0	TO->FROM	G15_032_115	FPL SWITCH - WOODWARD 138KV CKT 1	285.2	0.03734	101.5757	CHISHOLM6 230.00 - ELK CITY 230KV 230KV CKT 1	
15G	06ALL	0	TO->FROM	G15_032_115	FPL SWITCH - WOODWARD 138KV CKT 1	285.2	0.03734	101.5757	ELK CITY 230KV (ELKCTY-6) 230/138/13.8KV TRANSFORMER CKT 1	
15SP	06ALL	0	TO->FROM	G15_032_115	GLASS MOUNTAIN - MOORELAND 138KV CKT 1	122.3	0.02076	109.2363	DBL-THIS-WWRD	
20WP	06ALL	0	TO->FROM	G15_032_115	GLASS MOUNTAIN - MOORELAND 138KV CKT 1	122.3	0.02031	101.2477	DBL-THIS-WWRD	
15WP	06ALL	0	TO->FROM	G15_032_115	GLASS MOUNTAIN - MOORELAND 138KV CKT 1	122.2	0.02125	100.7332	DBL-THIS-WWRD	
15SP	06ALL	0	TO->FROM	G15_032_115	GLASS MOUNTAIN - MOORELAND 138KV CKT 1	122.3	0.01599	100.5184	MOORELAND - NOEL_SW 138.00 138KV CKT 1	
15WP	06ALL	0	FROM->TO	G15_032_115	HALE CO INTERCHANGE - TUCO INTERCHANGE 115KV CKT 1	105.6	0.13905	105.4943	SWISHER COUNTY INTERCHANGE (UPDATE LATER) 230/115/13.2KV TRANSFORMER CKT 1	
20WP	06ALL	0	FROM->TO	G15_032_115	HALE CO INTERCHANGE - TUCO INTERCHANGE 115KV CKT 1	105.7	0.13857	104.5431	SWISHER COUNTY INTERCHANGE (UPDATE LATER) 230/115/13.2KV TRANSFORMER CKT 1	
15G	06ALL	0	FROM->TO	G15_032_115	Harrington Station East Bus - POTTER COUNTY INTERCHANGE 230KV CKT 1	346.8	0.09726	116.2981	CHERRY1 - HARRINGTON STATION 230KV CKT 1	
15G	06ALL	0	FROM->TO	G15_032_115	Harrington Station East Bus - POTTER COUNTY INTERCHANGE 230KV CKT 1	346.8	0.11634	114.2232	CHERRY1 - POTTER COUNTY INTERCHANGE 230KV CKT 1	
15G	06ALL	0	TO->FROM	G15_032_115	HAYS PLANT - SOUTH HAYS 115KV CKT 1	98.9	0.00607	115.3873	KNOLL 230 - POSTROCK6 230.00 230KV CKT 1	
15SP	06ALL	0	FROM->TO	G15_032_115	HAYS PLANT - VINE STREET 115KV CKT 1	88	0.00582	116.8955	KNOLL 230 - POSTROCK6 230.00 230KV CKT 1	
15G	06ALL	0	FROM->TO	G15_032_115	HAYS PLANT - VINE STREET 115KV CKT 1	87.9	0.00607	105.9363	KNOLL 230 - POSTROCK6 230.00 230KV CKT 1	
15SP	06ALL	0	FROM->TO	G15_032_115	JERICHO (JERIC2WT) 115/69/14.4KV TRANSFORMER CKT 1	45.6	0.00709	107	KIRBY SWITCHING STATION - MCCLELLAN SUB 115KV CKT 1	
15SP	06ALL	0	FROM->TO	G15_032_115	JERICHO (JERIC2WT) 115/69/14.4KV TRANSFORMER CKT 1	45.9	0.00709	106.3007	KIRBY SWITCHING STATION - MCCLELLAN SUB 115KV CKT 1	
15SP	06ALL	0	FROM->TO	G15_032_115	JERICHO (JERIC2WT) 115/69/14.4KV TRANSFORMER CKT 1	45.6	0.00709	105.6842	MCCLELLAN SUB - MCLEAN RURAL SUB 115KV CKT 1	
15SP	06ALL	0	FROM->TO	G15_032_115	JERICHO (JERIC2WT) 115/69/14.4KV TRANSFORMER CKT 1	45.9	0.00709	104.9935	MCCLELLAN SUB - MCLEAN RURAL SUB 115KV CKT 1	
15G	06ALL	0	FROM->TO	G15_032_115	JERICHO (JERIC2WT) 115/69/14.4KV TRANSFORMER CKT 1	45.7	0.0072	102.0569	KIRBY SWITCHING STATION - MCCLELLAN SUB 115KV CKT 1	
15SP	06ALL	0	FROM->TO	G15_032_115	JERICHO (JERIC2WT) 115/69/14.4KV TRANSFORMER CKT 1	45.6	0.00709	101.9561	SPP-SWPS-T54	
15G	06ALL	0	FROM->TO	G15_032_115	JERICHO (JERIC2WT) 115/69/14.4KV TRANSFORMER CKT 1	45.9	0.0072	101.6122	KIRBY SWITCHING STATION - MCCLELLAN SUB 115KV CKT 1	
15SP	06ALL	0	FROM->TO	G15_032_115	JERICHO (JERIC2WT) 115/69/14.4KV TRANSFORMER CKT 1	45.9	0.00709	101.2898	SPP-SWPS-T54	
15G	06ALL	0	FROM->TO	G15_032_115	JERICHO (JERIC2WT) 115/69/14.4KV TRANSFORMER CKT 1	45.7	0.0072	100.744	MCCLELLAN SUB - MCLEAN RURAL SUB 115KV CKT 1	
15SP	06ALL	0	FROM->TO	G15_032_115	JERICHO (JERIC2WT) 115/69/14.4KV TRANSFORMER CKT 1	45.6	0.00709	100.4211	MCLEAN RURAL SUB - SHAMROCK 115KV CKT 1	
15SP	06ALL	0	FROM->TO	G15_032_115	JERICHO (JERIC2WT) 115/69/14.4KV TRANSFORMER CKT 1	45.6	0.00709	100.4211	SHAMROCK (SHAMRCK1) 115/69/14.4KV TRANSFORMER CKT 1	
15G	06ALL	0	FROM->TO	G15_032_115	JERICHO (JERIC2WT) 115/69/14.4KV TRANSFORMER CKT 1	45.9	0.0072	100.305	MCCLELLAN SUB - MCLEAN RURAL SUB 115KV CKT 1	
25SP	06ALL	0	TO->FROM	G15_032_115	KRESS INTERCHANGE - SWISHER COUNTY INTERCHANGE 115KV CKT 1	232.4	0	176.463	SWISHER COUNTY INTERCHANGE (UPDATE LATER) 230/115/13.2KV TRANSFORMER CKT 1	
20SP	06ALL	0	TO->FROM	G15_032_115	KRESS INTERCHANGE - SWISHER COUNTY INTERCHANGE 115KV CKT 1	234.7	0	174.8189	SWISHER COUNTY INTERCHANGE (UPDATE LATER) 230/115/13.2KV TRANSFORMER CKT 1	
15SP	06ALL	0	TO->FROM	G15_032_115	KRESS INTERCHANGE - SWISHER COUNTY INTERCHANGE 115KV CKT 1	236.8	0	173.3108	SWISHER COUNTY INTERCHANGE (UPDATE LATER) 230/115/13.2KV TRANSFORMER CKT 1	
15G	06ALL	0	TO->FROM	G15_032_115	KRESS INTERCHANGE - SWISHER COUNTY INTERCHANGE 115KV CKT 1	238.8	0	171.943	SWISHER COUNTY INTERCHANGE (GE M101686) 230/115/13.2KV TRANSFORMER CKT 1	
15WP	06ALL	0	TO->FROM	G15_032_115	KRESS INTERCHANGE - SWISHER COUNTY INTERCHANGE 115KV CKT 1	264.3	0	155.3538	SWISHER COUNTY INTERCHANGE (UPDATE LATER) 230/115/13.2KV TRANSFORMER CKT 1	
20WP	06ALL	0	TO->FROM	G15_032_115	KRESS INTERCHANGE - SWISHER COUNTY INTERCHANGE 115KV CKT 1	264.9	0	155.0019	SWISHER COUNTY INTERCHANGE (UPDATE LATER) 230/115/13.2KV TRANSFORMER CKT 1	
25SP	06ALL	0	TO->FROM	G15_032_115	KRESS INTERCHANGE - SWISHER COUNTY INTERCHANGE 115KV CKT 1	232.4	0.01294	124.0947	KRESS INTERCHANGE - TULIA TAP 115KV CKT 1	
25SP	06ALL	0	TO->FROM	G15_032_115	KRESS INTERCHANGE - SWISHER COUNTY INTERCHANGE 115KV CKT 1	232.4	-0.3902	122.6145	SPP-SWPS-T67	
20SP	06ALL	0	TO->FROM	G15_032_115	KRESS INTERCHANGE - SWISHER COUNTY INTERCHANGE 115KV CKT 1	234.7	0.01306	115.2373	KRESS INTERCHANGE - TULIA TAP 115KV CKT 1	
20SP	06ALL	0	TO->FROM	G15_032_115	KRESS INTERCHANGE - SWISHER COUNTY INTERCHANGE 115KV CKT 1	234.7	-0.3901	113.764	SPP-SWPS-T67	
25SP	06ALL	0	TO->FROM	G15_032_115	KRESS INTERCHANGE - SWISHER COUNTY INTERCHANGE 115KV CKT 1	210.8	-0.27619	112.8302	BASE CASE	
25SP	06ALL	0	TO->FROM	G15_032_115	KRESS INTERCHANGE - SWISHER COUNTY INTERCHANGE 115KV CKT 1	232.4	-0.26298	111.6231	AMARILLO SOUTH INTERCHANGE - SWISHER COUNTY INTERCHANGE 230KV CKT 1	
15SP	06ALL	0	TO->FROM	G15_032_115	KRESS INTERCHANGE - SWISHER COUNTY INTERCHANGE 115KV CKT 1	236.8	0.01309	107.3936	KRESS INTERCHANGE - TULIA TAP 115KV CKT 1	
25SP	06ALL	0	TO->FROM	G15_032_115	KRESS INTERCHANGE - SWISHER COUNTY INTERCHANGE 115KV CKT 1	232.4	-0.24449	106.3365	SWISHER COUNTY INTERCHANGE - TUCO 2 230.00 230KV CKT 1	
20SP	06ALL	0	TO->FROM	G15_032_115	KRESS INTERCHANGE - SWISHER COUNTY INTERCHANGE 115KV CKT 1	234.7	-0.26308	106.2429	AMARILLO SOUTH INTERCHANGE - SWISHER COUNTY INTERCHANGE 230KV CKT 1	
25SP	06ALL	0	TO->FROM	G15_032_115	KRESS INTERCHANGE - SWISHER COUNTY INTERCHANGE 115KV CKT 1	232.4	-0.27991	106.136	PLANT X STATION (WH ALM20171) 230/115/13.2KV TRANSFORMER CKT 1	
15SP	06ALL	0	TO->FROM	G15_032_115	KRESS INTERCHANGE - SWISHER COUNTY INTERCHANGE 115KV CKT 1	236.8	-0.39034	105.9257	SPP-SWPS-T67	
25SP	06ALL	0	TO->FROM	G15_032_115	KRESS INTERCHANGE - SWISHER COUNTY INTERCHANGE 115KV CKT 1	232.4	-0.27619	104.8821	G11_025_1 115.00 115/34.5KV TRANSFORMER CKT 1	
25SP	06ALL	0	TO->FROM	G15_032_115	KRESS INTERCHANGE - SWISHER COUNTY INTERCHANGE 115KV CKT 1	232.4	-0.27619	104.8821	G11_025_2 34.500 34.5/0.69KV TRANSFORMER CKT 1	
25SP	06ALL	0	TO->FROM	G15_032_115	KRESS INTERCHANGE - SWISHER COUNTY INTERCHANGE 115KV CKT 1	232.4	-0.27619	104.8821	G11_025T 115.00 - G11_025_1 115.00 115KV CKT 1	
20SP	06ALL	0	TO->FROM	G15_032_115	KRESS INTERCHANGE - SWISHER COUNTY INTERCHANGE 115KV CKT 1	213.2	-0.27617	104.8584	BASE CASE	
25SP	06ALL	0	TO->FROM	G15_032_115	KRESS INTERCHANGE - SWISHER COUNTY INTERCHANGE 115KV CKT 1	232.4	-0.27619	104.679	TOLK STATION WEST 230/24.0KV TRANSFORMER CKT 1	
25SP	06ALL	0	TO->FROM	G15_032_115	KRESS INTERCHANGE - SWISHER COUNTY INTERCHANGE 115KV CKT 1	232.4	-0.27898	104.5869	TUCO INTERCHANGE (GE M102345) 230/115/13.2KV TRANSFORMER CKT 1	

SEASON	GROUP	SCENARIO	DIRECTION	SOURCE	MONITORED ELEMENT	RATE (MVA)	TDF	CONTINGENCY LOADING %	CONTINGENCY
25SP	06ALL	0	TO->FROM	G15_032_115	KRESS INTERCHANGE - SWISHER COUNTY INTERCHANGE 115KV CKT 1	232.4	-0.2788	104.4208	TUCO INTERCHANGE (ENRCO 136401) 230/115/13.2KV TRANSFORMER CKT 2
25SP	06ALL	0	TO->FROM	G15_032_115	KRESS INTERCHANGE - SWISHER COUNTY INTERCHANGE 115KV CKT 1	232.4	-0.27619	104.216	TOLK STATION EAST 230/24.0KV TRANSFORMER CKT 1
25SP	06ALL	0	TO->FROM	G15_032_115	KRESS INTERCHANGE - SWISHER COUNTY INTERCHANGE 115KV CKT 1	232.4	-0.27874	103.9552	FLOYD COUNTY INTERCHANGE - G11_025T 115.00 115KV CKT 1
25SP	06ALL	0	TO->FROM	G15_032_115	KRESS INTERCHANGE - SWISHER COUNTY INTERCHANGE 115KV CKT 1	232.4	-0.27619	103.7427	PLANT X STATION 115/13.8KV TRANSFORMER CKT 1
25SP	06ALL	0	TO->FROM	G15_032_115	KRESS INTERCHANGE - SWISHER COUNTY INTERCHANGE 115KV CKT 1	232.4	-0.27648	103.7315	LAMB COUNTY INTERCHANGE - TOLK STATION WEST 230KV CKT 1
25SP	06ALL	0	TO->FROM	G15_032_115	KRESS INTERCHANGE - SWISHER COUNTY INTERCHANGE 115KV CKT 1	232.4	-0.27648	103.6885	LAMB COUNTY INTERCHANGE (WH ALM20172) 230/115/13.2KV TRANSFORMER CKT 1
25SP	06ALL	0	TO->FROM	G15_032_115	KRESS INTERCHANGE - SWISHER COUNTY INTERCHANGE 115KV CKT 1	232.4	-0.27648	103.6885	SPP-SWPS-K37
25SP	06ALL	0	TO->FROM	G15_032_115	KRESS INTERCHANGE - SWISHER COUNTY INTERCHANGE 115KV CKT 1	232.4	-0.27637	103.6343	AMARILLO SOUTH INTERCHANGE (ABB 801466) 230/115/13.2KV TRANSFORMER CKT 1
15SP	06ALL	0	TO->FROM	G15_032_115	KRESS INTERCHANGE - SWISHER COUNTY INTERCHANGE 115KV CKT 1	236.8	-0.26328	101.5388	AMARILLO SOUTH INTERCHANGE - SWISHER COUNTY INTERCHANGE 230KV CKT 1
25SP	00NR	0	TO->FROM	G15_032_115	LUBBOCK POWER & LIGHT-CO-OP - LUBBOCK POWER & LIGHT-SLATON 69KV CKT 1	53.5	0.00709	154.443	LUBBOCK POWER & LIGHT-CO-OP - LUBBOCK POWER & LIGHT-WADSWORTH 69KV CKT 1
20SP	00NR	0	TO->FROM	G15_032_115	LUBBOCK POWER & LIGHT-CO-OP - LUBBOCK POWER & LIGHT-SLATON 69KV CKT 1	53.6	0.00985	138.3489	LUBBOCK POWER & LIGHT-CO-OP - LUBBOCK POWER & LIGHT-WADSWORTH 69KV CKT 1
15SP	00NR	0	TO->FROM	G15_032_115	LUBBOCK POWER & LIGHT-CO-OP - LUBBOCK POWER & LIGHT-SLATON 69KV CKT 1	53.9	0.00961	115.3673	LUBBOCK POWER & LIGHT-CO-OP - LUBBOCK POWER & LIGHT-WADSWORTH 69KV CKT 1
20WP	00NR	0	TO->FROM	G15_032_115	LUBBOCK POWER & LIGHT-CO-OP - LUBBOCK POWER & LIGHT-SLATON 69KV CKT 1	53.9	0.01604	105.5881	LUBBOCK POWER & LIGHT-CO-OP - LUBBOCK POWER & LIGHT-WADSWORTH 69KV CKT 1
25SP	00NR	0	TO->FROM	G15_032_115	LUBBOCK POWER & LIGHT-CO-OP - LUBBOCK POWER & LIGHT-WADSWORTH 69KV CKT 1	105.6	0.00718	126.8504	BASE CASE
25SP	00NR	0	TO->FROM	G15_032_115	LUBBOCK POWER & LIGHT-CO-OP - LUBBOCK POWER & LIGHT-WADSWORTH 69KV CKT 1	141.2	0.0087	125.5028	LUBBOCK POWER & LIGHT-SLATON - LUBBOCK POWER & LIGHT-SOUTHEAST 69KV CKT 1
25SP	00NR	0	TO->FROM	G15_032_115	LUBBOCK POWER & LIGHT-CO-OP - LUBBOCK POWER & LIGHT-WADSWORTH 69KV CKT 1	141.2	0.00949	116.039	LUBBOCK POWER & LIGHT-SOUTHEAST - LUBBOCK SOUTH INTERCHANGE 230KV CKT 1
25SP	00NR	0	TO->FROM	G15_032_115	LUBBOCK POWER & LIGHT-CO-OP - LUBBOCK POWER & LIGHT-WADSWORTH 69KV CKT 1	141.2	0.00898	114.3017	LUBBOCK POWER & LIGHT-HOLLY GEN - LUBBOCK POWER & LIGHT-NORTHEAST 69KV CKT 1
20SP	00NR	0	TO->FROM	G15_032_115	LUBBOCK POWER & LIGHT-CO-OP - LUBBOCK POWER & LIGHT-WADSWORTH 69KV CKT 1	108	0.00985	113.662	BASE CASE
20SP	00NR	0	TO->FROM	G15_032_115	LUBBOCK POWER & LIGHT-CO-OP - LUBBOCK POWER & LIGHT-WADSWORTH 69KV CKT 1	143	0.01186	113.3972	LUBBOCK POWER & LIGHT-SLATON - LUBBOCK POWER & LIGHT-SOUTHEAST 69KV CKT 1
25SP	00NR	0	TO->FROM	G15_032_115	LUBBOCK POWER & LIGHT-CO-OP - LUBBOCK POWER & LIGHT-WADSWORTH 69KV CKT 1	141.2	0.00914	111.0779	CARLISLE INTERCHANGE - LUBBOCK POWER & LIGHT-MILWAUKEE 230KV CKT 1
25SP	00NR	0	TO->FROM	G15_032_115	LUBBOCK POWER & LIGHT-CO-OP - LUBBOCK POWER & LIGHT-WADSWORTH 69KV CKT 1	141.2	0.00914	111.0071	LUBBOCK POWER & LIGHT-MILWAUKEE (M-E C0681251) 230/69/13.5KV TRANSFORMER CKT 1
25SP	00NR	0	TO->FROM	G15_032_115	LUBBOCK POWER & LIGHT-CO-OP - LUBBOCK POWER & LIGHT-WADSWORTH 69KV CKT 1	141.2	0.00914	111.0071	SPP-SWPS-K39
15SP	00NR	0	TO->FROM	G15_032_115	LUBBOCK POWER & LIGHT-CO-OP - LUBBOCK POWER & LIGHT-WADSWORTH 69KV CKT 1	108	0.01069	109.7287	BASE CASE
25SP	00NR	0	TO->FROM	G15_032_115	LUBBOCK POWER & LIGHT-CO-OP - LUBBOCK POWER & LIGHT-WADSWORTH 69KV CKT 1	141.2	0.00745	108.8067	LUBBOCK POWER & LIGHT-OLIVER - LUBBOCK POWER & LIGHT-SOUTHEAST 69KV CKT 1
15SP	00NR	0	TO->FROM	G15_032_115	LUBBOCK POWER & LIGHT-CO-OP - LUBBOCK POWER & LIGHT-WADSWORTH 69KV CKT 1	143	0.01225	104.5979	LUBBOCK POWER & LIGHT-SLATON - LUBBOCK POWER & LIGHT-SOUTHEAST 69KV CKT 1
25SP	00NR	0	TO->FROM	G15_032_115	LUBBOCK POWER & LIGHT-CO-OP - LUBBOCK POWER & LIGHT-WADSWORTH 69KV CKT 1	141.2	0.00898	103.466	LUBBOCK POWER & LIGHT-MACKENZIE GEN - LUBBOCK POWER & LIGHT-NORTHEAST 69KV CKT 1
20SP	00NR	0	TO->FROM	G15_032_115	LUBBOCK POWER & LIGHT-CO-OP - LUBBOCK POWER & LIGHT-WADSWORTH 69KV CKT 1	143	0.01217	103.3923	LUBBOCK POWER & LIGHT-HOLLY GEN - LUBBOCK POWER & LIGHT-NORTHEAST 69KV CKT 1
20SP	00NR	0	TO->FROM	G15_032_115	LUBBOCK POWER & LIGHT-CO-OP - LUBBOCK POWER & LIGHT-WADSWORTH 69KV CKT 1	143	0.01356	103.3343	LUBBOCK POWER & LIGHT-SOUTHEAST - LUBBOCK SOUTH INTERCHANGE 230KV CKT 1
25SP	00NR	0	TO->FROM	G15_032_115	LUBBOCK POWER & LIGHT-CO-OP - LUBBOCK POWER & LIGHT-WADSWORTH 69KV CKT 1	141.2	0.00805	102.7727	LUBBOCK POWER & LIGHT-SOUTHEAST (ABB 60258) 230/69/13.5KV TRANSFORMER CKT 1
25SP	00NR	0	TO->FROM	G15_032_115	LUBBOCK POWER & LIGHT-CO-OP - LUBBOCK POWER & LIGHT-WADSWORTH 69KV CKT 1	141.2	0.00799	102.2642	LUBBOCK POWER & LIGHT-SOUTHEAST (FRM WADSWRTH) 230/69/13.5KV TRANSFORMER CKT 2
25SP	00NR	0	TO->FROM	G15_032_115	LUBBOCK POWER & LIGHT-CO-OP - LUBBOCK POWER & LIGHT-WADSWORTH 69KV CKT 1	141.2	0.00753	101.5999	LUBBOCK POWER & LIGHT-CHALKER - LUBBOCK POWER & LIGHT-THOMPSON 69KV CKT 1
25SP	00NR	0	TO->FROM	G15_032_115	LUBBOCK POWER & LIGHT-CO-OP - LUBBOCK POWER & LIGHT-WADSWORTH 69KV CKT 1	141.2	0.00661	100.9086	LUBBOCK POWER & LIGHT-HOLLY GEN - LUBBOCK POWER & LIGHT-SOUTHEAST 69KV CKT 1
25SP	00NR	0	TO->FROM	G15_032_115	LUBBOCK POWER & LIGHT-CO-OP - LUBBOCK POWER & LIGHT-WADSWORTH 69KV CKT 1	141.2	0.00745	100.5205	LUBBOCK POWER & LIGHT-CHALKER - LUBBOCK POWER & LIGHT-OLIVER 69KV CKT 1
25SP	00NR	0	TO->FROM	G15_032_115	LUBBOCK POWER & LIGHT-SLATON - LUBBOCK POWER & LIGHT-SOUTHEAST 69KV CKT 1	143	0.00734	121.1902	LUBBOCK POWER & LIGHT-CO-OP - LUBBOCK POWER & LIGHT-WADSWORTH 69KV CKT 1
20SP	00NR	0	TO->FROM	G15_032_115	LUBBOCK POWER & LIGHT-SLATON - LUBBOCK POWER & LIGHT-SOUTHEAST 69KV CKT 1	142.8	0.00992	110.8375	LUBBOCK POWER & LIGHT-CO-OP - LUBBOCK POWER & LIGHT-WADSWORTH 69KV CKT 1
20SP	00NR	0	TO->FROM	G15_032_115	LUBBOCK POWER & LIGHT-SLATON - LUBBOCK POWER & LIGHT-SOUTHEAST 69KV CKT 1	142.8	0.00595	109.0231	LUBBOCK POWER & LIGHT-OLIVER - LUBBOCK POWER & LIGHT-SOUTHEAST 69KV CKT 1
15G	06ALL	0	TO->FROM	G15_032_115	MANHATTAN TAP - RANDALL COUNTY INTERCHANGE 115KV CKT 1	159.4	0.15799	106.9222	OSAGE SWITCHING STATION - RANDALL COUNTY INTERCHANGE 115KV CKT 1
20SP	06ALL	0	TO->FROM	G15_032_115	NORGE ROAD - SOUTHWESTERN STATION 138KV CKT 1	135.7	0.01111	110.7605	SOUTHWESTERN STATION - VERDEN 138KV CKT 1
20SP	06ALL	0	TO->FROM	G15_032_115	NORGE ROAD - SOUTHWESTERN STATION 138KV CKT 1	135.7	0.01111	109.2867	NORTH 29TH CHICKASHA - VERDEN 138KV CKT 1

SEASON	GROUP	SCENARIO	DIRECTION	SOURCE	MONITORED ELEMENT	RATE (MVA)	TDF	CONTINGENCY LOADING %	CONTINGENCY
20SP	06ALL	0	TO->FROM	G15_032_115	NORGE ROAD - SOUTHWESTERN STATION 138KV CKT 1	135.7	0.01585	106.4716	CIMARRON - MINCO 345KV CKT 1
20SP	06ALL	0	TO->FROM	G15_032_115	NORGE ROAD - SOUTHWESTERN STATION 138KV CKT 1	135.7	0.01111	106.2653	CORNVILLE - NORTH 29TH CHICKASHA 138KV CKT 1
20SP	06ALL	0	TO->FROM	G15_032_115	NORGE ROAD - SOUTHWESTERN STATION 138KV CKT 1	135.7	0.0103	104.1341	ANADARKO - CORN TAP 138KV CKT 1
20SP	06ALL	0	TO->FROM	G15_032_115	NORGE ROAD - SOUTHWESTERN STATION 138KV CKT 1	135.7	0.01585	102.9344	GRACEMONT - MINCO 345KV CKT 1
25SP	06ALL	0	TO->FROM	G15_032_115	NORGE ROAD - SOUTHWESTERN STATION 138KV CKT 1	135.8	0.01067	100.1016	SOUTHWESTERN STATION - VERDEN 138KV CKT 1
15G	06ALL	0	TO->FROM	G15_032_115	OSAGE SWITCHING STATION - RANDALL COUNTY INTERCHANGE 115KV CKT 1	159.5	0.15497	105.4809	MANHATTAN TAP - RANDALL COUNTY INTERCHANGE 115KV CKT 1
15G	06ALL	0	TO->FROM	G15_032_115	OSAGE SWITCHING STATION - RANDALL COUNTY INTERCHANGE 115KV CKT 1	159.5	0.14589	101.3517	SPP-SWPS-V04
15SP	06ALL	0	FROM->TO	G15_032_115	PRINGLE INTERCHANGE - SPEARMAN INTERCHANGE 115KV CKT 1	159.7	0.03961	104.2129	PRINGLE INTERCHANGE - SPEARMAN INTERCHANGE 115KV CKT 2
15G	06ALL	0	FROM->TO	G15_032_115	PRINGLE INTERCHANGE - SPEARMAN INTERCHANGE 115KV CKT 1	158.4	0.03845	103.0278	PRINGLE INTERCHANGE - SPEARMAN INTERCHANGE 115KV CKT 2
15G	06ALL	0	FROM->TO	G15_032_115	SHAMROCK (SHAMRCK1) 115/69/14.4KV TRANSFORMER CKT 1	66	0.01456	105.8	CHISHOLM6 230.00 - SWEETWATER 230KV CKT 1
15G	06ALL	0	FROM->TO	G15_032_115	SHAMROCK (SHAMRCK1) 115/69/14.4KV TRANSFORMER CKT 1	66	0.01312	105.3667	HWRDWCK2 69.000 - JERICHO 69KV CKT 1
15G	06ALL	0	FROM->TO	G15_032_115	SHAMROCK (SHAMRCK1) 115/69/14.4KV TRANSFORMER CKT 1	66	0.01312	105.3667	JERICHO - KIRBY SWITCHING STATION 115KV CKT 1
15G	06ALL	0	FROM->TO	G15_032_115	SHAMROCK (SHAMRCK1) 115/69/14.4KV TRANSFORMER CKT 1	66	0.01312	105.3667	JERICHO (JERIC2WT) 115/69/14.4KV TRANSFORMER CKT 1
15G	06ALL	0	FROM->TO	G15_032_115	SHAMROCK (SHAMRCK1) 115/69/14.4KV TRANSFORMER CKT 1	66	0.01312	104.6091	CLARENDON - HWRDWCK2 69.000 69KV CKT 1
15G	06ALL	0	FROM->TO	G15_032_115	SHAMROCK (SHAMRCK1) 115/69/14.4KV TRANSFORMER CKT 1	66	0.01388	104.2424	G14-074T 345.00 - OKLAUNION 345KV CKT 1
15G	06ALL	0	FROM->TO	G15_032_115	SHAMROCK (SHAMRCK1) 115/69/14.4KV TRANSFORMER CKT 1	67.1	0.01456	104.2146	CHISHOLM6 230.00 - SWEETWATER 230KV CKT 1
15G	06ALL	0	FROM->TO	G15_032_115	SHAMROCK (SHAMRCK1) 115/69/14.4KV TRANSFORMER CKT 1	67.1	0.01312	103.7884	HWRDWCK2 69.000 - JERICHO 69KV CKT 1
15G	06ALL	0	FROM->TO	G15_032_115	SHAMROCK (SHAMRCK1) 115/69/14.4KV TRANSFORMER CKT 1	67.1	0.01312	103.7884	JERICHO - KIRBY SWITCHING STATION 115KV CKT 1
15G	06ALL	0	FROM->TO	G15_032_115	SHAMROCK (SHAMRCK1) 115/69/14.4KV TRANSFORMER CKT 1	67.1	0.01312	103.7884	JERICHO (JERIC2WT) 115/69/14.4KV TRANSFORMER CKT 1
15G	06ALL	0	FROM->TO	G15_032_115	SHAMROCK (SHAMRCK1) 115/69/14.4KV TRANSFORMER CKT 1	66	0.01456	103.5273	GRAPEVINE INTERCHANGE - STATELINE INTERCHANGE 230KV CKT 1
15G	06ALL	0	FROM->TO	G15_032_115	SHAMROCK (SHAMRCK1) 115/69/14.4KV TRANSFORMER CKT 1	67.1	0.01312	103.0432	CLARENDON - HWRDWCK2 69.000 69KV CKT 1
15G	06ALL	0	FROM->TO	G15_032_115	SHAMROCK (SHAMRCK1) 115/69/14.4KV TRANSFORMER CKT 1	66	0.01316	103.0424	CHISHOLM6 230.00 - ELK CITY 230KV 230KV CKT 1
15G	06ALL	0	FROM->TO	G15_032_115	SHAMROCK (SHAMRCK1) 115/69/14.4KV TRANSFORMER CKT 1	66	0.01316	103.0424	ELK CITY 230KV (ELKCTY-6) 230/138/13.8KV TRANSFORMER CKT 1
15G	06ALL	0	FROM->TO	G15_032_115	SHAMROCK (SHAMRCK1) 115/69/14.4KV TRANSFORMER CKT 1	66	0.01353	102.9333	CHISHOLM7 345.00 - GRACEMONT 345KV CKT 1
15G	06ALL	0	FROM->TO	G15_032_115	SHAMROCK (SHAMRCK1) 115/69/14.4KV TRANSFORMER CKT 1	67.1	0.01388	102.8316	G14-074T 345.00 - OKLAUNION 345KV CKT 1
15G	06ALL	0	FROM->TO	G15_032_115	SHAMROCK (SHAMRCK1) 115/69/14.4KV TRANSFORMER CKT 1	67.1	0.01456	101.9791	GRAPEVINE INTERCHANGE - STATELINE INTERCHANGE 230KV CKT 1
15G	06ALL	0	FROM->TO	G15_032_115	SHAMROCK (SHAMRCK1) 115/69/14.4KV TRANSFORMER CKT 1	67.1	0.01316	101.6513	CHISHOLM6 230.00 - ELK CITY 230KV 230KV CKT 1
15G	06ALL	0	FROM->TO	G15_032_115	SHAMROCK (SHAMRCK1) 115/69/14.4KV TRANSFORMER CKT 1	66	0.01312	101.5788	CLARENDON - CLARENDON REC 69KV CKT 1
15G	06ALL	0	FROM->TO	G15_032_115	SHAMROCK (SHAMRCK1) 115/69/14.4KV TRANSFORMER CKT 1	67.1	0.01316	101.5022	ELK CITY 230KV (ELKCTY-6) 230/138/13.8KV TRANSFORMER CKT 1
15G	06ALL	0	FROM->TO	G15_032_115	SHAMROCK (SHAMRCK1) 115/69/14.4KV TRANSFORMER CKT 1	67.1	0.01353	101.3949	CHISHOLM7 345.00 - GRACEMONT 345KV CKT 1
15G	06ALL	0	FROM->TO	G15_032_115	SHAMROCK (SHAMRCK1) 115/69/14.4KV TRANSFORMER CKT 1	66	0.01388	100.9091	G14-074T 345.00 - TUCO INTERCHANGE 345KV CKT 1
15G	06ALL	0	FROM->TO	G15_032_115	SHAMROCK (SHAMRCK1) 115/69/14.4KV TRANSFORMER CKT 1	66	0.01312	100.3667	CLARENDON REC - HEDLEY 69KV CKT 1
15G	06ALL	0	FROM->TO	G15_032_115	SHAMROCK (SHAMRCK1) 115/69/14.4KV TRANSFORMER CKT 1	66	0.01299	100.1242	DBL-G1114-WWRD
15G	06ALL	0	FROM->TO	G15_032_115	SHAMROCK (SHAMRCK1) 115/69/14.4KV TRANSFORMER CKT 1	67.1	0.01312	100.0626	CLARENDON - CLARENDON REC 69KV CKT 1
20WP	06ALL	0	TO->FROM	G15_032_115	SUNSHINE CANYON - TUTTLE 138KV CKT 1	140.9	0.0207	109.0334	CIMARRON - MINCO 345KV CKT 1
20SP	06ALL	0	TO->FROM	G15_032_115	SUNSHINE CANYON - TUTTLE 138KV CKT 1	141.6	0.02171	104.6893	CIMARRON - MINCO 345KV CKT 1
20WP	06ALL	0	TO->FROM	G15_032_115	SUNSHINE CANYON - TUTTLE 138KV CKT 1	140.9	0.0207	104.3492	GRACEMONT - MINCO 345KV CKT 1
15SP	06ALL	0	TO->FROM	G15_032_115	SUNSHINE CANYON - TUTTLE 138KV CKT 1	141.6	0.02306	104.1314	CIMARRON - MINCO 345KV CKT 1
20SP	06ALL	0	TO->FROM	G15_032_115	SUNSHINE CANYON - TUTTLE 138KV CKT 1	141.6	0.02171	100.0989	GRACEMONT - MINCO 345KV CKT 1
15G	06ALL	0	FROM->TO	G15_032_115	SWISHER COUNTY INTERCHANGE (GE M101686) 230/115/13.2KV TRANSFORMER CKT 1	145.8	0	281.5501	KRESS INTERCHANGE - SWISHER COUNTY INTERCHANGE 115KV CKT 1
15G	06ALL	0	FROM->TO	G15_032_115	SWISHER COUNTY INTERCHANGE (GE M101686) 230/115/13.2KV TRANSFORMER CKT 1	146.1	0	281.0404	KRESS INTERCHANGE - SWISHER COUNTY INTERCHANGE 115KV CKT 1
25SP	06ALL	0	FROM->TO	G15_032_115	SWISHER COUNTY INTERCHANGE (UPDATE LATER) 230/115/13.2KV TRANSFORMER CKT 1	236.6	0	173.246	KRESS INTERCHANGE - SWISHER COUNTY INTERCHANGE 115KV CKT 1
25SP	06ALL	0	FROM->TO	G15_032_115	SWISHER COUNTY INTERCHANGE (UPDATE LATER) 230/115/13.2KV TRANSFORMER CKT 1	238.8	0	171.7337	KRESS INTERCHANGE - SWISHER COUNTY INTERCHANGE 115KV CKT 1
20SP	06ALL	0	FROM->TO	G15_032_115	SWISHER COUNTY INTERCHANGE (UPDATE LATER) 230/115/13.2KV TRANSFORMER CKT 1	239.2	0	171.4465	KRESS INTERCHANGE - SWISHER COUNTY INTERCHANGE 115KV CKT 1
20SP	06ALL	0	FROM->TO	G15_032_115	SWISHER COUNTY INTERCHANGE (UPDATE LATER) 230/115/13.2KV TRANSFORMER CKT 1	240.6	0	170.532	KRESS INTERCHANGE - SWISHER COUNTY INTERCHANGE 115KV CKT 1
15SP	06ALL	0	FROM->TO	G15_032_115	SWISHER COUNTY INTERCHANGE (UPDATE LATER) 230/115/13.2KV TRANSFORMER CKT 1	243	0	168.8477	KRESS INTERCHANGE - SWISHER COUNTY INTERCHANGE 115KV CKT 1
15SP	06ALL	0	FROM->TO	G15_032_115	SWISHER COUNTY INTERCHANGE (UPDATE LATER) 230/115/13.2KV TRANSFORMER CKT 1	243.7	0	168.4038	KRESS INTERCHANGE - SWISHER COUNTY INTERCHANGE 115KV CKT 1
20WP	06ALL	0	FROM->TO	G15_032_115	SWISHER COUNTY INTERCHANGE (UPDATE LATER) 230/115/13.2KV TRANSFORMER CKT 1	249.4	0	164.6351	KRESS INTERCHANGE - SWISHER COUNTY INTERCHANGE 115KV CKT 1
20WP	06ALL	0	FROM->TO	G15_032_115	SWISHER COUNTY INTERCHANGE (UPDATE LATER) 230/115/13.2KV TRANSFORMER CKT 1	249.5	0	164.5691	KRESS INTERCHANGE - SWISHER COUNTY INTERCHANGE 115KV CKT 1
15WP	06ALL	0	FROM->TO	G15_032_115	SWISHER COUNTY INTERCHANGE (UPDATE LATER) 230/115/13.2KV TRANSFORMER CKT 1	250	0	164.24	KRESS INTERCHANGE - SWISHER COUNTY INTERCHANGE 115KV CKT 1
15WP	06ALL	0	FROM->TO	G15_032_115	SWISHER COUNTY INTERCHANGE (UPDATE LATER) 230/115/13.2KV TRANSFORMER CKT 1	250	0	164.24	KRESS INTERCHANGE - SWISHER COUNTY INTERCHANGE 115KV CKT 1
15SP	06ALL	0	FROM->TO	G15_032_115	THOMAS TAP - WEATHERFORD 69KV CKT 1	39	0.00796	114.2667	CLINTON JUNCTION - CLINTON NATURAL GAS TAP 138KV CKT 1
15G	06ALL	0	FROM->TO	G15_032_115	TUCO INTERCHANGE (GE M1022338) 345/230/13.2KV TRANSFORMER CKT 1	555.1	0.15829	102.8035	TUCO INTERCHANGE (SIEM 8743066) 345/230/13.2KV TRANSFORMER CKT 2
15G	06ALL	0	FROM->TO	G15_032_115	TUCO INTERCHANGE (GE M1022338) 345/230/13.2KV TRANSFORMER CKT 1	557.4	0.15829	102.3254	TUCO INTERCHANGE (SIEM 8743066) 345/230/13.2KV TRANSFORMER CKT 2
20WP	06ALL	0	TO->FROM	G15_032_115	TUCO_2 345.00 (TUCO_2 XFMR) 345/230/13.2KV TRANSFORMER CKT 1	559.5	0.16043	111.8152	TUCO INTERCHANGE - TUCO_2 345.00 345KV CKT 1
20WP	06ALL	0	TO->FROM	G15_032_115	TUCO_2 345.00 (TUCO_2 XFMR) 345/230/13.2KV TRANSFORMER CKT 1	559.9	0.16043	111.6996	TUCO INTERCHANGE - TUCO_2 345.00 345KV CKT 1
15G	06ALL	0	FROM->TO	G15_032_115	WICHITA (WICH TX-12) 345/138/13.8KV TRANSFORMER CKT 1	413.2	0.01242	106.6578	WICHITA (WICH TX-11) 345/138/13.8KV TRANSFORMER CKT 1
15G	06ALL	0	FROM->TO	G15_032_115	WICHITA (WICH TX-12) 345/138/13.8KV TRANSFORMER CKT 1	419.7	0.01242	104.8868	WICHITA (WICH TX-11) 345/138/13.8KV TRANSFORMER CKT 1
15WP	06ALL	0	FROM->TO	G15_032_115	WICHITA (WICH TX-12) 345/138/13.8KV TRANSFORMER CKT 1	414.2	0.01209	102.3916	WICHITA (WICH TX-11) 345/138/13.8KV TRANSFORMER CKT 1
15WP	06ALL	0	FROM->TO	G15_032_115	WICHITA (WICH TX-12) 345/138/13.8KV TRANSFORMER CKT 1	420.2	0.01209	100.8106	WICHITA (WICH TX-11) 345/138/13.8KV TRANSFORMER CKT 1
25SP	00NR	0	FROM->TO	G15_032_115	WOLFFORTH INTERCHANGE (WH 7001668) 230/115/13.2KV TRANSFORMER CKT 1	140.3	0.01965	100.6379	CARLISLE INTERCHANGE - LP-DPOD_TP 3115.00 115KV CKT 1
20SP	06ALL	2	FROM->TO	G15_032_115	ANADARKO - CORN TAP 138KV CKT 1	142.8	0.01466	100.1793	CIMARRON - MINCO 345KV CKT 1
15G	06ALL	2	TO->FROM	G15_032_115	ANADARKO - GRACMNT4 138.00 138KV CKT 1	225.1	0.05288	127.4927	CIMARRON - MINCO 345KV CKT 1
15G	06ALL	2	TO->FROM	G15_032_115	ANADARKO - GRACMNT4 138.00 138KV CKT 1	225.1	0.05288	119.2741	GRACEMONT - MINCO 345KV CKT 1

SEASON	GROUP	SCENARIO	DIRECTION	SOURCE	MONITORED ELEMENT	RATE (MVA)	TDF	CONTINGENCY LOADING %	CONTINGENCY
15G	06ALL	2	TO->FROM	G15_032_115	ANADARKO - GRACMNT4 138.00 138KV CKT 1	225.1	0.03015	106.9214	SOUTHWESTERN STATION - WASHITA 138KV CKT 1
15SP	06ALL	2	FROM->TO	G15_032_115	BENTLEY4 138.00 - HALSTEAD SOUTH BUS 138KV CKT 1	142.2	0.00688	108.2602	RENO COUNTY - WICHITA 345KV CKT 1
20WP	06ALL	2	FROM->TO	G15_032_115	CLEARWATER - GILL ENERGY CENTER WEST 138KV CKT 1	142.9	0.01158	119.4836	GILL ENERGY CENTER SOUTH - VIOLA 4 138.00 138KV CKT 1
20SP	06ALL	2	FROM->TO	G15_032_115	CLEARWATER - GILL ENERGY CENTER WEST 138KV CKT 1	142.2	0.01392	102.4233	GILL ENERGY CENTER SOUTH - VIOLA 4 138.00 138KV CKT 1
15SP	06ALL	2	TO->FROM	G15_032_115	CLINTON CITY - FOSS TAP 69KV CKT 1	74.5	0.00797	103.4577	CLINTON JUNCTION - CLINTON NATURAL GAS TAP 138KV CKT 1
15SP	06ALL	2	FROM->TO	G15_032_115	CLINTON CITY - THOMAS TAP 69KV CKT 1	38.9	0.00797	125.6452	CLINTON JUNCTION - CLINTON NATURAL GAS TAP 138KV CKT 1
20SP	06ALL	2	FROM->TO	G15_032_115	CLINTON CITY - THOMAS TAP 69KV CKT 1	39	0.00761	102.959	CLINTON JUNCTION - CLINTON NATURAL GAS TAP 138KV CKT 1
15G	06ALL	2	FROM->TO	G15_032_115	CLINTON CITY - THOMAS TAP 69KV CKT 1	47.9	0.00775	101.1357	CLINTON JUNCTION - CLINTON NATURAL GAS TAP 138KV CKT 1
15SP	06ALL	2	TO->FROM	G15_032_115	CLINTON JUNCTION - ELK CITY 138KV CKT 1	148.8	0.04319	140.7177	CHISHOLM7 345.00 - GRACEMONT 345KV CKT 1
15G	06ALL	2	TO->FROM	G15_032_115	CLINTON JUNCTION - ELK CITY 138KV CKT 1	185.1	0.04173	124.1621	CHISHOLM7 345.00 - GRACEMONT 345KV CKT 1
15SP	06ALL	2	TO->FROM	G15_032_115	CLINTON JUNCTION - ELK CITY 138KV CKT 1	148.8	0.03619	122.7997	G14-074T 345.00 - OKLAUNION 345KV CKT 1
15SP	06ALL	2	TO->FROM	G15_032_115	CLINTON JUNCTION - ELK CITY 138KV CKT 1	148.8	0.02232	120.3884	ONEY - WASHITA 138KV CKT 1
15SP	06ALL	2	TO->FROM	G15_032_115	CLINTON JUNCTION - ELK CITY 138KV CKT 1	148.8	0.03619	118.7675	G14-074T 345.00 - TUCO INTERCHANGE 345KV CKT 1
15SP	06ALL	2	TO->FROM	G15_032_115	CLINTON JUNCTION - ELK CITY 138KV CKT 1	148.8	0.03315	118.2513	NORTHWEST - TATONGA7 345.00 345KV CKT 1
15SP	06ALL	2	TO->FROM	G15_032_115	CLINTON JUNCTION - ELK CITY 138KV CKT 1	148.8	0.02232	117.8347	BINGER NUIECT - ONEY 138KV CKT 1
15SP	06ALL	2	TO->FROM	G15_032_115	CLINTON JUNCTION - ELK CITY 138KV CKT 1	148.8	0.03315	117.7809	SPSCont-05b
15SP	06ALL	2	TO->FROM	G15_032_115	CLINTON JUNCTION - ELK CITY 138KV CKT 1	148.8	0.03315	117.3777	SPSCont-04
15SP	06ALL	2	TO->FROM	G15_032_115	CLINTON JUNCTION - ELK CITY 138KV CKT 1	148.8	0.03366	117.125	DBL-THIS-WWRD
15SP	06ALL	2	TO->FROM	G15_032_115	CLINTON JUNCTION - ELK CITY 138KV CKT 1	132.4	0.02917	116.2341	BASE CASE
15SP	06ALL	2	TO->FROM	G15_032_115	CLINTON JUNCTION - ELK CITY 138KV CKT 1	148.8	0.03311	115.6814	CLINTON AIR FORCE BASE TAP - ELK CITY 138KV CKT 1
15SP	06ALL	2	TO->FROM	G15_032_115	CLINTON JUNCTION - ELK CITY 138KV CKT 1	148.8	0.03579	115.4072	CHISHOLM7 345.00 - WOODWARD DISTRICT EHV 345KV CKT 1
15SP	06ALL	2	TO->FROM	G15_032_115	CLINTON JUNCTION - ELK CITY 138KV CKT 1	148.8	0.03311	114.8078	CLINTON AIR FORCE BASE TAP - HOBART JUNCTION 138KV CKT 1
15SP	06ALL	2	TO->FROM	G15_032_115	CLINTON JUNCTION - ELK CITY 138KV CKT 1	148.8	0.02232	113.7352	BINGER NUIECT - SICKLES 138KV CKT 1
15SP	06ALL	2	TO->FROM	G15_032_115	CLINTON JUNCTION - ELK CITY 138KV CKT 1	148.8	0.03315	113.6814	G11_051T 345.00 - TATONGA7 345.00 345KV CKT 1
15SP	06ALL	2	TO->FROM	G15_032_115	CLINTON JUNCTION - ELK CITY 138KV CKT 1	148.8	0.02232	113.0632	CLINTON JUNCTION - G07-32T 138.00 138KV CKT 1
15SP	06ALL	2	TO->FROM	G15_032_115	CLINTON JUNCTION - ELK CITY 138KV CKT 1	148.8	0.02917	112.9664	G07-32 138.00 - G07-32T 138.00 138KV CKT 1
15SP	06ALL	2	TO->FROM	G15_032_115	CLINTON JUNCTION - ELK CITY 138KV CKT 1	148.8	0.02917	112.9664	G07-32 138.00 138/34.5KV TRANSFORMER CKT 1
15SP	06ALL	2	TO->FROM	G15_032_115	CLINTON JUNCTION - ELK CITY 138KV CKT 1	148.8	0.02917	112.9664	G07-32 34.500 34.5/12.0KV TRANSFORMER CKT 1
15SP	06ALL	2	TO->FROM	G15_032_115	CLINTON JUNCTION - ELK CITY 138KV CKT 1	148.8	0.02917	111.6223	WASHITA - WEATHERFORD WIND FARM 34 kv 34.5KV CKT 1
15WP	06ALL	2	TO->FROM	G15_032_115	CLINTON JUNCTION - ELK CITY 138KV CKT 1	186.8	0.04412	111.3201	CHISHOLM7 345.00 - GRACEMONT 345KV CKT 1
20SP	06ALL	2	TO->FROM	G15_032_115	CLINTON JUNCTION - ELK CITY 138KV CKT 1	151.1	0.04282	109.5778	CHISHOLM7 345.00 - GRACEMONT 345KV CKT 1
20SP	06ALL	2	TO->FROM	G15_032_115	CLINTON JUNCTION - ELK CITY 138KV CKT 1	151.1	0.02219	106.5255	ONEY - WASHITA 138KV CKT 1
15G	06ALL	2	TO->FROM	G15_032_115	CLINTON JUNCTION - ELK CITY 138KV CKT 1	185.1	0.03486	105.745	G14-074T 345.00 - OKLAUNION 345KV CKT 1
20SP	06ALL	2	TO->FROM	G15_032_115	CLINTON JUNCTION - ELK CITY 138KV CKT 1	151.1	0.02219	103.9444	BINGER NUIECT - ONEY 138KV CKT 1
20WP	06ALL	2	TO->FROM	G15_032_115	CLINTON JUNCTION - ELK CITY 138KV CKT 1	187.5	0.04224	102.8395	CHISHOLM7 345.00 - GRACEMONT 345KV CKT 1
15G	06ALL	2	TO->FROM	G15_032_115	CLINTON JUNCTION - ELK CITY 138KV CKT 1	185.1	0.03486	102.6656	G14-074T 345.00 - TUCO INTERCHANGE 345KV CKT 1
15G	06ALL	2	TO->FROM	G15_032_115	CLINTON JUNCTION - ELK CITY 138KV CKT 1	185.1	0.03205	102.4873	NORTHWEST - TATONGA7 345.00 345KV CKT 1
15G	06ALL	2	TO->FROM	G15_032_115	CLINTON JUNCTION - ELK CITY 138KV CKT 1	185.1	0.03205	102.1091	SPSCont-05b
15G	06ALL	2	TO->FROM	G15_032_115	CLINTON JUNCTION - ELK CITY 138KV CKT 1	185.1	0.03205	101.785	SPSCont-04
15G	06ALL	2	TO->FROM	G15_032_115	CLINTON JUNCTION - ELK CITY 138KV CKT 1	185.1	0.03185	101.6153	CLINTON AIR FORCE BASE TAP - ELK CITY 138KV CKT 1
15G	06ALL	2	TO->FROM	G15_032_115	CLINTON JUNCTION - ELK CITY 138KV CKT 1	185.1	0.03185	101.0211	CLINTON AIR FORCE BASE TAP - HOBART JUNCTION 138KV CKT 1
15G	06ALL	2	TO->FROM	G15_032_115	CLINTON JUNCTION - ELK CITY 138KV CKT 1	185.1	0.0346	100.2831	CHISHOLM7 345.00 - WOODWARD DISTRICT EHV 345KV CKT 1
15G	06ALL	2	TO->FROM	G15_032_115	CLINTON JUNCTION - ELK CITY 138KV CKT 1	185.1	0.03243	100.1351	DBL-THIS-WWRD
15SP	06ALL	2	FROM->TO	G15_032_115	CLINTON JUNCTION - FOSS TAP 69KV CKT 1	74.7	0.00797	104.3855	CLINTON JUNCTION - CLINTON NATURAL GAS TAP 138KV CKT 1
15SP	06ALL	2	TO->FROM	G15_032_115	COMANCHE TAP - TOSCO 69KV CKT 1	39	0.00555	103.7744	G14-057T 345.00 - SUNNYSIDE 345KV CKT 1
15SP	06ALL	2	TO->FROM	G15_032_115	COMANCHE TAP - TOSCO 69KV CKT 1	39	0.00555	100.9538	G14-057T 345.00 - LAWTON EASTSIDE 345KV CKT 1
20WP	06ALL	2	FROM->TO	G15_032_115	CORN TAP - PAYNE 138.00 138KV CKT 1	141.6	0.01768	111.0734	G14-057T 345.00 - SUNNYSIDE 345KV CKT 1
20WP	06ALL	2	FROM->TO	G15_032_115	CORN TAP - PAYNE 138.00 138KV CKT 1	141.6	0.01768	109.3079	G14-057T 345.00 - LAWTON EASTSIDE 345KV CKT 1
15WP	06ALL	2	FROM->TO	G15_032_115	CORN TAP - PAYNE 138.00 138KV CKT 1	141.4	0.01835	109.0438	G14-057T 345.00 - SUNNYSIDE 345KV CKT 1
20WP	06ALL	2	FROM->TO	G15_032_115	CORN TAP - PAYNE 138.00 138KV CKT 1	141.6	0.01798	107.4576	CIMARRON - MINCO 345KV CKT 1
15WP	06ALL	2	FROM->TO	G15_032_115	CORN TAP - PAYNE 138.00 138KV CKT 1	141.4	0.01835	107.2758	G14-057T 345.00 - LAWTON EASTSIDE 345KV CKT 1
20WP	06ALL	2	FROM->TO	G15_032_115	CORN TAP - PAYNE 138.00 138KV CKT 1	141.6	0.01408	105.7175	ANADARKO - BLANCHARD 138KV CKT 1
20WP	06ALL	2	FROM->TO	G15_032_115	CORN TAP - PAYNE 138.00 138KV CKT 1	141.6	0.01798	104.3503	GRACEMONT - MINCO 345KV CKT 1
20WP	06ALL	2	FROM->TO	G15_032_115	CORN TAP - PAYNE 138.00 138KV CKT 1	141.6	0.01408	103.8107	BLANCHARD - OUSW4 138KV CKT 1
15WP	06ALL	2	FROM->TO	G15_032_115	CORN TAP - PAYNE 138.00 138KV CKT 1	141.4	0.01878	101.9378	CIMARRON - MINCO 345KV CKT 1
15WP	06ALL	2	FROM->TO	G15_032_115	CORN TAP - PAYNE 138.00 138KV CKT 1	141.4	0.01468	100.6011	ANADARKO - BLANCHARD 138KV CKT 1
15SP	06ALL	2	FROM->TO	G15_032_115	DUNCAN - TOSCO 69KV CKT 1	38.9	0.00555	108.1543	G14-057T 345.00 - SUNNYSIDE 345KV CKT 1
15SP	06ALL	2	FROM->TO	G15_032_115	DUNCAN - TOSCO 69KV CKT 1	38.9	0.00555	105.3265	G14-057T 345.00 - LAWTON EASTSIDE 345KV CKT 1
15WP	06ALL	2	FROM->TO	G15_032_115	DUNCAN - TOSCO 69KV CKT 1	47.8	0.00575	100.8201	G14-057T 345.00 - SUNNYSIDE 345KV CKT 1
20WP	06ALL	2	FROM->TO	G15_032_115	DUNCAN - TOSCO 69KV CKT 1	47.9	0.00539	100.5637	G14-057T 345.00 - SUNNYSIDE 345KV CKT 1
15SP	06ALL	2	TO->FROM	G15_032_115	EARLSBORO 4138.00 - MAUD 138KV CKT 1	97.7	0.00717	106.0594	MAUD (MAUD1) 138/69/13.2KV TRANSFORMER CKT 1
15SP	06ALL	2	TO->FROM	G15_032_115	EARLSBORO 4138.00 - MAUD 138KV CKT 1	97.7	0.00696	100.9212	CANADIAN RIVER - MCALESTER SOUTH 138KV CKT 1
15SP	06ALL	2	TO->FROM	G15_032_115	EARLSBORO 4138.00 - MAUD 138KV CKT 1	97.7	0.00688	100.9212	BASE CASE
25SP	06ALL	2	FROM->TO	G15_032_115	EDDY_NORTH 6230.00 (WAUK WT01134) 230/115/13.2KV TRANSFORMER CKT 2	285	0.00816	104.7116	EDDY COUNTY INTERCHANGE - EDDY_NORTH 6230.00 230KV CKT @1

SEASON	GROUP	SCENARIO	DIRECTION	SOURCE	MONITORED ELEMENT	RATE	CONTINGENCY		CONTINGENCY	
						(MVA)	TDF	LOADING %		
25SP	06ALL		2	FROM->TO	G15_032_115	EDDY_NORTH 6230.00 (WAUK W/01134) 230/115/13.2KV TRANSFORMER CKT 2	286.3	0.00816	104.1663	EDDY COUNTY INTERCHANGE - EDDY_NORTH 6230.00 230KV CKT @1
15G	06ALL		2	FROM->TO	G15_032_115	ELDORADO - ELDORADO JCT 69KV CKT 1	26.9	0.00922	102.3346	LAKE PAULINE - RUSSELL 138KV CKT 1
15G	06ALL		2	FROM->TO	G15_032_115	ELK CITY 230KV (ELKCTY-6) 230/138/13.8KV TRANSFORMER CKT 1	446.9	0.09673	117.1533	CHISHOLM7 345.00 - GRACEMONT 345KV CKT 1
15SP	06ALL		2	FROM->TO	G15_032_115	ELK CITY 230KV (ELKCTY-6) 230/138/13.8KV TRANSFORMER CKT 1	446.4	0.10246	117.1519	CHISHOLM7 345.00 - GRACEMONT 345KV CKT 1
15G	06ALL		2	FROM->TO	G15_032_115	ELK CITY 230KV (ELKCTY-6) 230/138/13.8KV TRANSFORMER CKT 1	449.3	0.09673	116.6165	CHISHOLM7 345.00 - GRACEMONT 345KV CKT 1
15SP	06ALL		2	FROM->TO	G15_032_115	ELK CITY 230KV (ELKCTY-6) 230/138/13.8KV TRANSFORMER CKT 1	449.3	0.10246	116.4848	CHISHOLM7 345.00 - GRACEMONT 345KV CKT 1
15WP	06ALL		2	FROM->TO	G15_032_115	ELK CITY 230KV (ELKCTY-6) 230/138/13.8KV TRANSFORMER CKT 1	447.2	0.10528	112.58	CHISHOLM7 345.00 - GRACEMONT 345KV CKT 1
15WP	06ALL		2	FROM->TO	G15_032_115	ELK CITY 230KV (ELKCTY-6) 230/138/13.8KV TRANSFORMER CKT 1	449.3	0.10528	112.1206	CHISHOLM7 345.00 - GRACEMONT 345KV CKT 1
20WP	06ALL		2	FROM->TO	G15_032_115	ELK CITY 230KV (ELKCTY-6) 230/138/13.8KV TRANSFORMER CKT 1	448.3	0.10114	106.8883	CHISHOLM7 345.00 - GRACEMONT 345KV CKT 1
20WP	06ALL		2	FROM->TO	G15_032_115	ELK CITY 230KV (ELKCTY-6) 230/138/13.8KV TRANSFORMER CKT 1	449.7	0.10114	106.6222	CHISHOLM7 345.00 - GRACEMONT 345KV CKT 1
15SP	06ALL		2	FROM->TO	G15_032_115	ELK CITY 230KV (ELKCTY-6) 230/138/13.8KV TRANSFORMER CKT 1	446.4	0.08652	103.5914	G14-074T 345.00 - OKLAUNION 345KV CKT 1
15SP	06ALL		2	FROM->TO	G15_032_115	ELK CITY 230KV (ELKCTY-6) 230/138/13.8KV TRANSFORMER CKT 1	449.3	0.08652	103.0341	G14-074T 345.00 - OKLAUNION 345KV CKT 1
15SP	06ALL		2	FROM->TO	G15_032_115	ELK CITY 230KV (ELKCTY-6) 230/138/13.8KV TRANSFORMER CKT 1	446.4	0.09295	101.8172	CHISHOLM7 345.00 - WOODWARD DISTRICT EHV 345KV CKT 1
15SP	06ALL		2	FROM->TO	G15_032_115	ELK CITY 230KV (ELKCTY-6) 230/138/13.8KV TRANSFORMER CKT 1	449.3	0.09295	101.2713	CHISHOLM7 345.00 - WOODWARD DISTRICT EHV 345KV CKT 1
15SP	06ALL		2	FROM->TO	G15_032_115	ELK CITY 230KV (ELKCTY-6) 230/138/13.8KV TRANSFORMER CKT 1	446.4	0.08652	100.1416	G14-074T 345.00 - TUCO INTERCHANGE 345KV CKT 1
15G	06ALL		2	FROM->TO	G15_032_115	FPL SWITCH - MOORELAND 138KV CKT 1	284.1	0.04631	119.1834	DBL-THIS-WWRD
15G	06ALL		2	FROM->TO	G15_032_115	FPL SWITCH - MOORELAND 138KV CKT 1	284.1	0.03805	111.755	NORTHWEST - TATONGA7 345.00 345KV CKT 1
15G	06ALL		2	FROM->TO	G15_032_115	FPL SWITCH - MOORELAND 138KV CKT 1	284.1	0.03805	110.2063	SPSCont-04
15G	06ALL		2	FROM->TO	G15_032_115	FPL SWITCH - MOORELAND 138KV CKT 1	284.1	0.03805	109.9599	SPSCont-05b
15G	06ALL		2	FROM->TO	G15_032_115	FPL SWITCH - MOORELAND 138KV CKT 1	284.1	0.03764	108.4449	CHISHOLM6 230.00 - ELK CITY 230KV 230KV CKT 1
15G	06ALL		2	FROM->TO	G15_032_115	FPL SWITCH - MOORELAND 138KV CKT 1	284.1	0.03764	108.4449	ELK CITY 230KV (ELKCTY-6) 230/138/13.8KV TRANSFORMER CKT 1
15G	06ALL		2	FROM->TO	G15_032_115	FPL SWITCH - MOORELAND 138KV CKT 1	284.1	0.03805	104.7504	G11_051T 345.00 - TATONGA7 345.00 345KV CKT 1
15G	06ALL		2	FROM->TO	G15_032_115	FPL SWITCH - MOORELAND 138KV CKT 1	284.1	0.03805	103.9761	G11_051T 345.00 - WOODWARD DISTRICT EHV 345KV CKT 1
15G	06ALL		2	FROM->TO	G15_032_115	FPL SWITCH - MOORELAND 138KV CKT 1	284.1	0.03805	102.2865	SPSCont-05ax
15G	06ALL		2	FROM->TO	G15_032_115	FPL SWITCH - MOORELAND 138KV CKT 1	284.1	0.02904	102.0922	WOODWARD (WOODWRD2) 138/69/13.2KV TRANSFORMER CKT 1
15G	06ALL		2	TO->FROM	G15_032_115	FPL SWITCH - WOODWARD 138KV CKT 1	285.2	0.04631	112.3773	DBL-THIS-WWRD
15G	06ALL		2	TO->FROM	G15_032_115	FPL SWITCH - WOODWARD 138KV CKT 1	285.2	0.03805	104.9775	NORTHWEST - TATONGA7 345.00 345KV CKT 1
15G	06ALL		2	TO->FROM	G15_032_115	FPL SWITCH - WOODWARD 138KV CKT 1	285.2	0.03805	103.4348	SPSCont-04
15G	06ALL		2	TO->FROM	G15_032_115	FPL SWITCH - WOODWARD 138KV CKT 1	285.2	0.03805	103.1893	SPSCont-05b
15G	06ALL		2	TO->FROM	G15_032_115	FPL SWITCH - WOODWARD 138KV CKT 1	285.2	0.03764	101.6802	CHISHOLM6 230.00 - ELK CITY 230KV 230KV CKT 1
15G	06ALL		2	TO->FROM	G15_032_115	FPL SWITCH - WOODWARD 138KV CKT 1	285.2	0.03764	101.6452	ELK CITY 230KV (ELKCTY-6) 230/138/13.8KV TRANSFORMER CKT 1
15SP	06ALL		2	TO->FROM	G15_032_115	GLASS MOUNTAIN - MOORELAND 138KV CKT 1	122.3	0.02084	109.2805	DBL-THIS-WWRD
20WP	06ALL		2	TO->FROM	G15_032_115	GLASS MOUNTAIN - MOORELAND 138KV CKT 1	122.3	0.02039	101.2919	DBL-THIS-WWRD
15WP	06ALL		2	TO->FROM	G15_032_115	GLASS MOUNTAIN - MOORELAND 138KV CKT 1	122.2	0.02134	100.7774	DBL-THIS-WWRD
15SP	06ALL		2	TO->FROM	G15_032_115	GLASS MOUNTAIN - MOORELAND 138KV CKT 1	122.3	0.01607	100.5625	MOORELAND - NOEL_SW 138.00 138KV CKT 1
15G	06ALL		2	TO->FROM	G15_032_115	GRAPEVINE INTERCHANGE - NICHOLS STATION 230KV CKT 1	350	0.08049	100.3869	GRAPEVINE 345.00 - POTTER COUNTY INTERCHANGE 345KV CKT 1
15G	06ALL		2	TO->FROM	G15_032_115	GRAPEVINE INTERCHANGE - NICHOLS STATION 230KV CKT 1	350	0.07677	100.3349	DBL-G1114-WWRD
15G	06ALL		2	TO->FROM	G15_032_115	GRAPEVINE INTERCHANGE - NICHOLS STATION 230KV CKT 1	350	0.08049	100.1583	CHISHOLM7 345.00 - GRAPEVINE 345.00 345KV CKT 1
15G	06ALL		2	FROM->TO	G15_032_115	Harrington Station East Bus - POTTER COUNTY INTERCHANGE 230KV CKT 1	347	0.11805	122.2709	CHERRY1 - HARRINGTON STATION 230KV CKT 1
15G	06ALL		2	FROM->TO	G15_032_115	Harrington Station East Bus - POTTER COUNTY INTERCHANGE 230KV CKT 1	347	0.14089	121.2692	CHERRY1 - POTTER COUNTY INTERCHANGE 230KV CKT 1
15G	06ALL		2	TO->FROM	G15_032_115	HAYS PLANT - SOUTH HAYS 115KV CKT 1	98.9	0.00611	115.5126	KNOLL 230 - POSTROCK6 230.00 230KV CKT 1
15SP	06ALL		2	FROM->TO	G15_032_115	HAYS PLANT - VINE STREET 115KV CKT 1	88	0.00586	116.9227	KNOLL 230 - POSTROCK6 230.00 230KV CKT 1
15G	06ALL		2	FROM->TO	G15_032_115	HAYS PLANT - VINE STREET 115KV CKT 1	87.9	0.00611	105.9636	KNOLL 230 - POSTROCK6 230.00 230KV CKT 1
15SP	06ALL		2	FROM->TO	G15_032_115	JERICHO (JERIC2WT) 115/69/14.4KV TRANSFORMER CKT 1	45.6	0.00732	107.5482	KIRBY SWITCHING STATION - MCCLELLAN SUB 115KV CKT 1
15SP	06ALL		2	FROM->TO	G15_032_115	JERICHO (JERIC2WT) 115/69/14.4KV TRANSFORMER CKT 1	45.9	0.00732	106.8453	KIRBY SWITCHING STATION - MCCLELLAN SUB 115KV CKT 1
15SP	06ALL		2	FROM->TO	G15_032_115	JERICHO (JERIC2WT) 115/69/14.4KV TRANSFORMER CKT 1	45.6	0.00732	106.0132	MCCLELLAN SUB - MCLEAN RURAL SUB 115KV CKT 1
15SP	06ALL		2	FROM->TO	G15_032_115	JERICHO (JERIC2WT) 115/69/14.4KV TRANSFORMER CKT 1	45.9	0.00732	105.3203	MCCLELLAN SUB - MCLEAN RURAL SUB 115KV CKT 1
15G	06ALL		2	FROM->TO	G15_032_115	JERICHO (JERIC2WT) 115/69/14.4KV TRANSFORMER CKT 1	45.7	0.00747	102.6564	KIRBY SWITCHING STATION - MCCLELLAN SUB 115KV CKT 1
15SP	06ALL		2	FROM->TO	G15_032_115	JERICHO (JERIC2WT) 115/69/14.4KV TRANSFORMER CKT 1	45.6	0.00732	102.5044	SPP-SWPS-T54
15G	06ALL		2	FROM->TO	G15_032_115	JERICHO (JERIC2WT) 115/69/14.4KV TRANSFORMER CKT 1	45.9	0.00747	102.2091	KIRBY SWITCHING STATION - MCCLELLAN SUB 115KV CKT 1
15SP	06ALL		2	FROM->TO	G15_032_115	JERICHO (JERIC2WT) 115/69/14.4KV TRANSFORMER CKT 1	45.9	0.00732	101.8344	SPP-SWPS-T54
15G	06ALL		2	FROM->TO	G15_032_115	JERICHO (JERIC2WT) 115/69/14.4KV TRANSFORMER CKT 1	45.7	0.00747	101.3435	MCCLELLAN SUB - MCLEAN RURAL SUB 115KV CKT 1
15SP	06ALL		2	FROM->TO	G15_032_115	JERICHO (JERIC2WT) 115/69/14.4KV TRANSFORMER CKT 1	45.6	0.00732	100.9693	MCLEAN RURAL SUB - SHAMROCK 115KV CKT 1
15SP	06ALL		2	FROM->TO	G15_032_115	JERICHO (JERIC2WT) 115/69/14.4KV TRANSFORMER CKT 1	45.6	0.00732	100.9693	SHAMROCK (SHAMRCK1) 115/69/14.4KV TRANSFORMER CKT 1
15G	06ALL		2	FROM->TO	G15_032_115	JERICHO (JERIC2WT) 115/69/14.4KV TRANSFORMER CKT 1	45.9	0.00747	100.902	MCCLELLAN SUB - MCLEAN RURAL SUB 115KV CKT 1
15SP	06ALL		2	FROM->TO	G15_032_115	JERICHO (JERIC2WT) 115/69/14.4KV TRANSFORMER CKT 1	45.9	0.00732	100.3094	MCLEAN RURAL SUB - SHAMROCK 115KV CKT 1
15SP	06ALL		2	FROM->TO	G15_032_115	JERICHO (JERIC2WT) 115/69/14.4KV TRANSFORMER CKT 1	45.9	0.00732	100.3094	SHAMROCK (SHAMRCK1) 115/69/14.4KV TRANSFORMER CKT 1
25SP	06ALL		2	TO->FROM	G15_032_115	KRESS INTERCHANGE - SWISHER COUNTY INTERCHANGE 115KV CKT 1	232.9	0	176.0842	SWISHER COUNTY INTERCHANGE (UPDATE LATER) 230/115/13.2KV TRANSFORMER CKT 1
20SP	06ALL		2	TO->FROM	G15_032_115	KRESS INTERCHANGE - SWISHER COUNTY INTERCHANGE 115KV CKT 1	234.9	0	174.6275	SWISHER COUNTY INTERCHANGE (UPDATE LATER) 230/115/13.2KV TRANSFORMER CKT 1
15SP	06ALL		2	TO->FROM	G15_032_115	KRESS INTERCHANGE - SWISHER COUNTY INTERCHANGE 115KV CKT 1	236.9	0	173.1954	SWISHER COUNTY INTERCHANGE (UPDATE LATER) 230/115/13.2KV TRANSFORMER CKT 1

SEASON	GROUP	SCENARIO	DIRECTION	SOURCE	MONITORED ELEMENT	RATE (MVA)	TDF	CONTINGENCY LOADING %	CONTINGENCY
15G	06ALL	2	TO->FROM	G15_032_115	KRESS INTERCHANGE - SWISHER COUNTY INTERCHANGE 115KV CKT 1	238.8	0	171.9012	SWISHER COUNTY INTERCHANGE (GE M101686) 230/115/13.2KV TRANSFORMER CKT 1
15WP	06ALL	2	TO->FROM	G15_032_115	KRESS INTERCHANGE - SWISHER COUNTY INTERCHANGE 115KV CKT 1	264.3	0	155.3538	SWISHER COUNTY INTERCHANGE (UPDATE LATER) 230/115/13.2KV TRANSFORMER CKT 1
20WP	06ALL	2	TO->FROM	G15_032_115	KRESS INTERCHANGE - SWISHER COUNTY INTERCHANGE 115KV CKT 1	264.9	0	155.0019	SWISHER COUNTY INTERCHANGE (UPDATE LATER) 230/115/13.2KV TRANSFORMER CKT 1
25SP	06ALL	2	TO->FROM	G15_032_115	KRESS INTERCHANGE - SWISHER COUNTY INTERCHANGE 115KV CKT 1	211.3	-0.25038	123.0336	BASE CASE
25SP	06ALL	2	TO->FROM	G15_032_115	KRESS INTERCHANGE - SWISHER COUNTY INTERCHANGE 115KV CKT 1	232.9	-0.23853	121.0597	AMARILLO SOUTH INTERCHANGE - SWISHER COUNTY INTERCHANGE 230KV CKT 1
20SP	06ALL	2	TO->FROM	G15_032_115	KRESS INTERCHANGE - SWISHER COUNTY INTERCHANGE 115KV CKT 1	234.9	-0.2387	117.0055	AMARILLO SOUTH INTERCHANGE - SWISHER COUNTY INTERCHANGE 230KV CKT 1
20SP	06ALL	2	TO->FROM	G15_032_115	KRESS INTERCHANGE - SWISHER COUNTY INTERCHANGE 115KV CKT 1	213.5	-0.25042	116.3213	BASE CASE
25SP	06ALL	2	TO->FROM	G15_032_115	KRESS INTERCHANGE - SWISHER COUNTY INTERCHANGE 115KV CKT 1	232.9	-0.21879	115.3216	SWISHER COUNTY INTERCHANGE - TUCO_2 230.00 230KV CKT 1
25SP	06ALL	2	TO->FROM	G15_032_115	KRESS INTERCHANGE - SWISHER COUNTY INTERCHANGE 115KV CKT 1	232.9	-0.25346	115.1104	PLANT X STATION (WH ALM20171) 230/115/13.2KV TRANSFORMER CKT 1
25SP	06ALL	2	TO->FROM	G15_032_115	KRESS INTERCHANGE - SWISHER COUNTY INTERCHANGE 115KV CKT 1	232.9	-0.25276	113.7579	TUCO INTERCHANGE (GE M102345) 230/115/13.2KV TRANSFORMER CKT 1
25SP	06ALL	2	TO->FROM	G15_032_115	KRESS INTERCHANGE - SWISHER COUNTY INTERCHANGE 115KV CKT 1	232.9	-0.25038	113.7269	G11_025_1 115.00 115/34.5KV TRANSFORMER CKT 1
25SP	06ALL	2	TO->FROM	G15_032_115	KRESS INTERCHANGE - SWISHER COUNTY INTERCHANGE 115KV CKT 1	232.9	-0.25038	113.7269	G11_025_2 34.500 34.5/0.69KV TRANSFORMER CKT 1
25SP	06ALL	2	TO->FROM	G15_032_115	KRESS INTERCHANGE - SWISHER COUNTY INTERCHANGE 115KV CKT 1	232.9	-0.25038	113.684	G11_025T 115.00 - G11_025_1 115.00 115KV CKT 1
25SP	06ALL	2	TO->FROM	G15_032_115	KRESS INTERCHANGE - SWISHER COUNTY INTERCHANGE 115KV CKT 1	232.9	-0.2526	113.5844	TUCO INTERCHANGE (ENRCO 136401) 230/115/13.2KV TRANSFORMER CKT 2
15SP	06ALL	2	TO->FROM	G15_032_115	KRESS INTERCHANGE - SWISHER COUNTY INTERCHANGE 115KV CKT 1	236.9	-0.23892	113.5835	AMARILLO SOUTH INTERCHANGE - SWISHER COUNTY INTERCHANGE 230KV CKT 1
25SP	06ALL	2	TO->FROM	G15_032_115	KRESS INTERCHANGE - SWISHER COUNTY INTERCHANGE 115KV CKT 1	232.9	-0.24711	113.5466	NEWHART 230 - POTTER COUNTY INTERCHANGE 230KV CKT 1
25SP	06ALL	2	TO->FROM	G15_032_115	KRESS INTERCHANGE - SWISHER COUNTY INTERCHANGE 115KV CKT 1	232.9	-0.25077	113.2082	AMARILLO SOUTH INTERCHANGE (ABB 801466) 230/115/13.2KV TRANSFORMER CKT 1
25SP	06ALL	2	TO->FROM	G15_032_115	KRESS INTERCHANGE - SWISHER COUNTY INTERCHANGE 115KV CKT 1	232.9	-0.25253	113.1679	FLOYD COUNTY INTERCHANGE - G11_025T 115.00 115KV CKT 1
25SP	06ALL	2	TO->FROM	G15_032_115	KRESS INTERCHANGE - SWISHER COUNTY INTERCHANGE 115KV CKT 1	232.9	-0.24899	112.9386	G14-074T 345.00 - OKLAUNION 345KV CKT 1
25SP	06ALL	2	TO->FROM	G15_032_115	KRESS INTERCHANGE - SWISHER COUNTY INTERCHANGE 115KV CKT 1	232.9	-0.25532	112.6028	HALE CO INTERCHANGE - PLANT X STATION 115KV CKT 1
25SP	06ALL	2	TO->FROM	G15_032_115	KRESS INTERCHANGE - SWISHER COUNTY INTERCHANGE 115KV CKT 1	232.9	-0.25303	112.5144	RANDALL COUNTY INTERCHANGE (GE M100353) 230/115/13.2KV TRANSFORMER CKT 1
25SP	06ALL	2	TO->FROM	G15_032_115	KRESS INTERCHANGE - SWISHER COUNTY INTERCHANGE 115KV CKT 1	232.9	-0.25717	112.4285	NEWHART 230 (UPDATE LATER) 230/115/13.2KV TRANSFORMER CKT 2
25SP	06ALL	2	TO->FROM	G15_032_115	KRESS INTERCHANGE - SWISHER COUNTY INTERCHANGE 115KV CKT 1	232.9	-0.25717	112.4285	NEWHART 230 (WAUK WT01105) 230/115/13.2KV TRANSFORMER CKT 1
15SP	06ALL	2	TO->FROM	G15_032_115	KRESS INTERCHANGE - SWISHER COUNTY INTERCHANGE 115KV CKT 1	215.7	-0.25061	110.4052	BASE CASE
20SP	06ALL	2	TO->FROM	G15_032_115	KRESS INTERCHANGE - SWISHER COUNTY INTERCHANGE 115KV CKT 1	234.9	-0.25349	108.8438	PLANT X STATION (WH ALM20171) 230/115/13.2KV TRANSFORMER CKT 1
20SP	06ALL	2	TO->FROM	G15_032_115	KRESS INTERCHANGE - SWISHER COUNTY INTERCHANGE 115KV CKT 1	234.9	-0.21859	108.774	SWISHER COUNTY INTERCHANGE - TUCO_2 230.00 230KV CKT 1
20SP	06ALL	2	TO->FROM	G15_032_115	KRESS INTERCHANGE - SWISHER COUNTY INTERCHANGE 115KV CKT 1	234.9	-0.24719	108.2197	NEWHART 230 - POTTER COUNTY INTERCHANGE 230KV CKT 1
20SP	06ALL	2	TO->FROM	G15_032_115	KRESS INTERCHANGE - SWISHER COUNTY INTERCHANGE 115KV CKT 1	234.9	-0.25042	107.8101	G11_025_1 115.00 115/34.5KV TRANSFORMER CKT 1
20SP	06ALL	2	TO->FROM	G15_032_115	KRESS INTERCHANGE - SWISHER COUNTY INTERCHANGE 115KV CKT 1	234.9	-0.25042	107.8101	G11_025_2 34.500 34.5/0.69KV TRANSFORMER CKT 1
20SP	06ALL	2	TO->FROM	G15_032_115	KRESS INTERCHANGE - SWISHER COUNTY INTERCHANGE 115KV CKT 1	234.9	-0.25042	107.7676	G11_025T 115.00 - G11_025_1 115.00 115KV CKT 1
20SP	06ALL	2	TO->FROM	G15_032_115	KRESS INTERCHANGE - SWISHER COUNTY INTERCHANGE 115KV CKT 1	234.9	-0.25259	107.6364	FLOYD COUNTY INTERCHANGE - G11_025T 115.00 115KV CKT 1
20SP	06ALL	2	TO->FROM	G15_032_115	KRESS INTERCHANGE - SWISHER COUNTY INTERCHANGE 115KV CKT 1	234.9	-0.249	107.6296	G14-074T 345.00 - OKLAUNION 345KV CKT 1
20SP	06ALL	2	TO->FROM	G15_032_115	KRESS INTERCHANGE - SWISHER COUNTY INTERCHANGE 115KV CKT 1	234.9	-0.25281	107.2022	TUCO INTERCHANGE (GE M102345) 230/115/13.2KV TRANSFORMER CKT 1
20SP	06ALL	2	TO->FROM	G15_032_115	KRESS INTERCHANGE - SWISHER COUNTY INTERCHANGE 115KV CKT 1	234.9	-0.25081	107.1256	AMARILLO SOUTH INTERCHANGE (ABB 801466) 230/115/13.2KV TRANSFORMER CKT 1
20SP	06ALL	2	TO->FROM	G15_032_115	KRESS INTERCHANGE - SWISHER COUNTY INTERCHANGE 115KV CKT 1	234.9	-0.249	107.0762	G14-074T 345.00 - TUCO INTERCHANGE 345KV CKT 1
20SP	06ALL	2	TO->FROM	G15_032_115	KRESS INTERCHANGE - SWISHER COUNTY INTERCHANGE 115KV CKT 1	234.9	-0.25265	107.0702	TUCO INTERCHANGE (ENRCO 136401) 230/115/13.2KV TRANSFORMER CKT 2
20SP	06ALL	2	TO->FROM	G15_032_115	KRESS INTERCHANGE - SWISHER COUNTY INTERCHANGE 115KV CKT 1	234.9	-0.25535	106.653	HALE CO INTERCHANGE - PLANT X STATION 115KV CKT 1
20SP	06ALL	2	TO->FROM	G15_032_115	KRESS INTERCHANGE - SWISHER COUNTY INTERCHANGE 115KV CKT 1	234.9	-0.2532	106.5236	SPP-SWPS-25
20SP	06ALL	2	TO->FROM	G15_032_115	KRESS INTERCHANGE - SWISHER COUNTY INTERCHANGE 115KV CKT 1	234.9	-0.2532	106.5236	SPP-SWPS-T28
15SP	06ALL	2	TO->FROM	G15_032_115	KRESS INTERCHANGE - SWISHER COUNTY INTERCHANGE 115KV CKT 1	236.9	-0.21862	104.0887	SWISHER COUNTY INTERCHANGE - TUCO_2 230.00 230KV CKT 1
15SP	06ALL	2	TO->FROM	G15_032_115	KRESS INTERCHANGE - SWISHER COUNTY INTERCHANGE 115KV CKT 1	236.9	-0.25375	103.5982	PLANT X STATION (WH ALM20171) 230/115/13.2KV TRANSFORMER CKT 1
15SP	06ALL	2	TO->FROM	G15_032_115	KRESS INTERCHANGE - SWISHER COUNTY INTERCHANGE 115KV CKT 1	236.9	-0.24737	103.5905	NEWHART 230 - POTTER COUNTY INTERCHANGE 230KV CKT 1
15SP	06ALL	2	TO->FROM	G15_032_115	KRESS INTERCHANGE - SWISHER COUNTY INTERCHANGE 115KV CKT 1	236.9	-0.24915	103.0553	G14-074T 345.00 - OKLAUNION 345KV CKT 1
15SP	06ALL	2	TO->FROM	G15_032_115	KRESS INTERCHANGE - SWISHER COUNTY INTERCHANGE 115KV CKT 1	236.9	-0.25061	102.5513	G11_025_1 115.00 115/34.5KV TRANSFORMER CKT 1
15SP	06ALL	2	TO->FROM	G15_032_115	KRESS INTERCHANGE - SWISHER COUNTY INTERCHANGE 115KV CKT 1	236.9	-0.25061	102.5513	G11_025_2 34.500 34.5/0.69KV TRANSFORMER CKT 1
15SP	06ALL	2	TO->FROM	G15_032_115	KRESS INTERCHANGE - SWISHER COUNTY INTERCHANGE 115KV CKT 1	236.9	-0.25061	102.5513	G11_025T 115.00 - G11_025_1 115.00 115KV CKT 1
15SP	06ALL	2	TO->FROM	G15_032_115	KRESS INTERCHANGE - SWISHER COUNTY INTERCHANGE 115KV CKT 1	236.9	-0.24915	102.5065	G14-074T 345.00 - TUCO INTERCHANGE 345KV CKT 1
15SP	06ALL	2	TO->FROM	G15_032_115	KRESS INTERCHANGE - SWISHER COUNTY INTERCHANGE 115KV CKT 1	236.9	-0.2526	102.2533	FLOYD COUNTY INTERCHANGE - G11_025T 115.00 115KV CKT 1
15SP	06ALL	2	TO->FROM	G15_032_115	KRESS INTERCHANGE - SWISHER COUNTY INTERCHANGE 115KV CKT 1	236.9	-0.24978	102.0118	BORDER 7345.00 - TUCO_2 345.00 345KV CKT 1
15SP	06ALL	2	TO->FROM	G15_032_115	KRESS INTERCHANGE - SWISHER COUNTY INTERCHANGE 115KV CKT 1	236.9	-0.24978	102.0118	BORDER 7345.00 - TUCO_2 345.00 345KV CKT 2
15SP	06ALL	2	TO->FROM	G15_032_115	KRESS INTERCHANGE - SWISHER COUNTY INTERCHANGE 115KV CKT 1	236.9	-0.25061	101.8539	DEAF SMITH COUNTY INTERCHANGE - G14-068T 230.00 230KV CKT 1
15SP	06ALL	2	TO->FROM	G15_032_115	KRESS INTERCHANGE - SWISHER COUNTY INTERCHANGE 115KV CKT 1	236.9	-0.25061	101.8539	G14-068T 230.00 - PLANT X STATION 230KV CKT 1
15SP	06ALL	2	TO->FROM	G15_032_115	KRESS INTERCHANGE - SWISHER COUNTY INTERCHANGE 115KV CKT 1	236.9	-0.25552	101.7889	HALE CO INTERCHANGE - PLANT X STATION 115KV CKT 1
15SP	06ALL	2	TO->FROM	G15_032_115	KRESS INTERCHANGE - SWISHER COUNTY INTERCHANGE 115KV CKT 1	236.9	-0.251	101.7459	AMARILLO SOUTH INTERCHANGE (ABB 801466) 230/115/13.2KV TRANSFORMER CKT 1
25SP	00NR	2	TO->FROM	G15_032_115	LUBBOCK POWER & LIGHT-CO-OP - LUBBOCK POWER & LIGHT-SLATON 69KV CKT 1	53.5	0.00707	154.4318	LUBBOCK POWER & LIGHT-CO-OP - LUBBOCK POWER & LIGHT-WADSWORTH 69KV CKT 1

SEASON	GROUP	SCENARIO	DIRECTION	SOURCE	MONITORED ELEMENT	RATE (MVA)	TDF	CONTINGENCY LOADING %	CONTINGENCY
20SP	00NR		2 TO->FROM	G15_032_115	LUBBOCK POWER & LIGHT-CO-OP - LUBBOCK POWER & LIGHT-SLATON 69KV CKT 1	53.6	0.00984	138.3433	LUBBOCK POWER & LIGHT-CO-OP - LUBBOCK POWER & LIGHT-WADSWORTH 69KV CKT 1
15SP	00NR		2 TO->FROM	G15_032_115	LUBBOCK POWER & LIGHT-CO-OP - LUBBOCK POWER & LIGHT-SLATON 69KV CKT 1	53.9	0.0096	115.3618	LUBBOCK POWER & LIGHT-CO-OP - LUBBOCK POWER & LIGHT-WADSWORTH 69KV CKT 1
20WP	00NR		2 TO->FROM	G15_032_115	LUBBOCK POWER & LIGHT-CO-OP - LUBBOCK POWER & LIGHT-SLATON 69KV CKT 1	53.9	0.01603	105.397	LUBBOCK POWER & LIGHT-CO-OP - LUBBOCK POWER & LIGHT-WADSWORTH 69KV CKT 1
25SP	00NR		2 TO->FROM	G15_032_115	LUBBOCK POWER & LIGHT-CO-OP - LUBBOCK POWER & LIGHT-WADSWORTH 69KV CKT 1	105.6	0.00715	126.9366	BASE CASE
25SP	00NR		2 TO->FROM	G15_032_115	LUBBOCK POWER & LIGHT-CO-OP - LUBBOCK POWER & LIGHT-WADSWORTH 69KV CKT 1	141.2	0.00866	125.4943	LUBBOCK POWER & LIGHT-SLATON - LUBBOCK POWER & LIGHT-SOUTHEAST 69KV CKT 1
25SP	00NR		2 TO->FROM	G15_032_115	LUBBOCK POWER & LIGHT-CO-OP - LUBBOCK POWER & LIGHT-WADSWORTH 69KV CKT 1	141.2	0.00945	116.0305	LUBBOCK POWER & LIGHT-SOUTHEAST - LUBBOCK SOUTH INTERCHANGE 230KV CKT 1
25SP	00NR		2 TO->FROM	G15_032_115	LUBBOCK POWER & LIGHT-CO-OP - LUBBOCK POWER & LIGHT-WADSWORTH 69KV CKT 1	141.2	0.00895	114.2953	LUBBOCK POWER & LIGHT-HOLLY GEN - LUBBOCK POWER & LIGHT-NORTHEAST 69KV CKT 1
20SP	00NR		2 TO->FROM	G15_032_115	LUBBOCK POWER & LIGHT-CO-OP - LUBBOCK POWER & LIGHT-WADSWORTH 69KV CKT 1	108	0.00981	113.6509	BASE CASE
20SP	00NR		2 TO->FROM	G15_032_115	LUBBOCK POWER & LIGHT-CO-OP - LUBBOCK POWER & LIGHT-WADSWORTH 69KV CKT 1	143	0.01183	113.3909	LUBBOCK POWER & LIGHT-SLATON - LUBBOCK POWER & LIGHT-SOUTHEAST 69KV CKT 1
25SP	00NR		2 TO->FROM	G15_032_115	LUBBOCK POWER & LIGHT-CO-OP - LUBBOCK POWER & LIGHT-WADSWORTH 69KV CKT 1	141.2	0.00912	111.0737	CARLISLE INTERCHANGE - LUBBOCK POWER & LIGHT-MILWAUKEE 230KV CKT 1
25SP	00NR		2 TO->FROM	G15_032_115	LUBBOCK POWER & LIGHT-CO-OP - LUBBOCK POWER & LIGHT-WADSWORTH 69KV CKT 1	141.2	0.00912	111.0028	LUBBOCK POWER & LIGHT-MILWAUKEE (M-E C0681251) 230/69/13.5KV TRANSFORMER CKT 1
25SP	00NR		2 TO->FROM	G15_032_115	LUBBOCK POWER & LIGHT-CO-OP - LUBBOCK POWER & LIGHT-WADSWORTH 69KV CKT 1	141.2	0.00912	111.0028	SPP-SWPS-K39
15SP	00NR		2 TO->FROM	G15_032_115	LUBBOCK POWER & LIGHT-CO-OP - LUBBOCK POWER & LIGHT-WADSWORTH 69KV CKT 1	108	0.01066	109.7204	BASE CASE
25SP	00NR		2 TO->FROM	G15_032_115	LUBBOCK POWER & LIGHT-CO-OP - LUBBOCK POWER & LIGHT-WADSWORTH 69KV CKT 1	141.2	0.00741	108.7982	LUBBOCK POWER & LIGHT-OLIVER - LUBBOCK POWER & LIGHT-SOUTHEAST 69KV CKT 1
15SP	00NR		2 TO->FROM	G15_032_115	LUBBOCK POWER & LIGHT-CO-OP - LUBBOCK POWER & LIGHT-WADSWORTH 69KV CKT 1	143	0.01222	104.5916	LUBBOCK POWER & LIGHT-SLATON - LUBBOCK POWER & LIGHT-SOUTHEAST 69KV CKT 1
25SP	00NR		2 TO->FROM	G15_032_115	LUBBOCK POWER & LIGHT-CO-OP - LUBBOCK POWER & LIGHT-WADSWORTH 69KV CKT 1	141.2	0.00895	103.4596	LUBBOCK POWER & LIGHT-MACKENZIE GEN - LUBBOCK POWER & LIGHT-NORTHEAST 69KV CKT 1
20SP	00NR		2 TO->FROM	G15_032_115	LUBBOCK POWER & LIGHT-CO-OP - LUBBOCK POWER & LIGHT-WADSWORTH 69KV CKT 1	143	0.01214	103.386	LUBBOCK POWER & LIGHT-HOLLY GEN - LUBBOCK POWER & LIGHT-NORTHEAST 69KV CKT 1
20SP	00NR		2 TO->FROM	G15_032_115	LUBBOCK POWER & LIGHT-CO-OP - LUBBOCK POWER & LIGHT-WADSWORTH 69KV CKT 1	143	0.01352	103.3259	LUBBOCK POWER & LIGHT-SOUTHEAST - LUBBOCK SOUTH INTERCHANGE 230KV CKT 1
25SP	00NR		2 TO->FROM	G15_032_115	LUBBOCK POWER & LIGHT-CO-OP - LUBBOCK POWER & LIGHT-WADSWORTH 69KV CKT 1	141.2	0.00801	102.835	LUBBOCK POWER & LIGHT-SOUTHEAST (ABB 60258) 230/69/13.5KV TRANSFORMER CKT 1
25SP	00NR		2 TO->FROM	G15_032_115	LUBBOCK POWER & LIGHT-CO-OP - LUBBOCK POWER & LIGHT-WADSWORTH 69KV CKT 1	141.2	0.00796	102.3286	LUBBOCK POWER & LIGHT-SOUTHEAST (FRM WADSWRTH) 230/69/13.5KV TRANSFORMER CKT 2
25SP	00NR		2 TO->FROM	G15_032_115	LUBBOCK POWER & LIGHT-CO-OP - LUBBOCK POWER & LIGHT-WADSWORTH 69KV CKT 1	141.2	0.00749	101.5914	LUBBOCK POWER & LIGHT-CHALKER - LUBBOCK POWER & LIGHT-THOMPSON 69KV CKT 1
25SP	00NR		2 TO->FROM	G15_032_115	LUBBOCK POWER & LIGHT-CO-OP - LUBBOCK POWER & LIGHT-WADSWORTH 69KV CKT 1	141.2	0.00657	100.9001	LUBBOCK POWER & LIGHT-HOLLY GEN - LUBBOCK POWER & LIGHT-SOUTHEAST 69KV CKT 1
25SP	00NR		2 TO->FROM	G15_032_115	LUBBOCK POWER & LIGHT-CO-OP - LUBBOCK POWER & LIGHT-WADSWORTH 69KV CKT 1	141.2	0.00741	100.512	LUBBOCK POWER & LIGHT-CHALKER - LUBBOCK POWER & LIGHT-OLIVER 69KV CKT 1
25SP	00NR		2 TO->FROM	G15_032_115	LUBBOCK POWER & LIGHT-SLATON - LUBBOCK POWER & LIGHT-SOUTHEAST 69KV CKT 1	143	0.00732	121.186	LUBBOCK POWER & LIGHT-CO-OP - LUBBOCK POWER & LIGHT-WADSWORTH 69KV CKT 1
20SP	00NR		2 TO->FROM	G15_032_115	LUBBOCK POWER & LIGHT-SLATON - LUBBOCK POWER & LIGHT-SOUTHEAST 69KV CKT 1	142.8	0.0099	110.8333	LUBBOCK POWER & LIGHT-CO-OP - LUBBOCK POWER & LIGHT-WADSWORTH 69KV CKT 1
20SP	00NR		2 TO->FROM	G15_032_115	LUBBOCK POWER & LIGHT-SLATON - LUBBOCK POWER & LIGHT-SOUTHEAST 69KV CKT 1	142.8	0.00594	109.021	LUBBOCK POWER & LIGHT-OLIVER - LUBBOCK POWER & LIGHT-SOUTHEAST 69KV CKT 1
15G	06ALL		2 FROM->TO	G15_032_115	MANHATTAN TAP - OSAGE SWITCHING STATION 115KV CKT 1	159.8	0.12536	103.4368	OSAGE SWITCHING STATION - RANDALL COUNTY INTERCHANGE 115KV CKT 1
15G	06ALL		2 TO->FROM	G15_032_115	MANHATTAN TAP - RANDALL COUNTY INTERCHANGE 115KV CKT 1	159.4	0.19269	129.3915	OSAGE SWITCHING STATION - RANDALL COUNTY INTERCHANGE 115KV CKT 1
20SP	06ALL		2 TO->FROM	G15_032_115	NORGE ROAD - SOUTHWESTERN STATION 138KV CKT 1	135.7	0.01107	110.7384	SOUTHWESTERN STATION - VERDEN 138KV CKT 1
20SP	06ALL		2 TO->FROM	G15_032_115	NORGE ROAD - SOUTHWESTERN STATION 138KV CKT 1	135.7	0.01107	109.2646	NORTH 29TH CHICKASHA - VERDEN 138KV CKT 1
20SP	06ALL		2 TO->FROM	G15_032_115	NORGE ROAD - SOUTHWESTERN STATION 138KV CKT 1	135.7	0.01575	106.3493	CIMARRON - MINCO 345KV CKT 1
20SP	06ALL		2 TO->FROM	G15_032_115	NORGE ROAD - SOUTHWESTERN STATION 138KV CKT 1	135.7	0.01107	106.1695	CORNVILLE - NORTH 29TH CHICKASHA 138KV CKT 1
20SP	06ALL		2 TO->FROM	G15_032_115	NORGE ROAD - SOUTHWESTERN STATION 138KV CKT 1	135.7	0.01026	104.112	ANADARKO - CORN TAP 138KV CKT 1
20SP	06ALL		2 TO->FROM	G15_032_115	NORGE ROAD - SOUTHWESTERN STATION 138KV CKT 1	135.7	0.01575	102.8121	GRACEMONT - MINCO 345KV CKT 1
25SP	06ALL		2 TO->FROM	G15_032_115	NORGE ROAD - SOUTHWESTERN STATION 138KV CKT 1	135.8	0.01062	100.0751	SOUTHWESTERN STATION - VERDEN 138KV CKT 1
15G	06ALL		2 TO->FROM	G15_032_115	OSAGE SWITCHING STATION - RANDALL COUNTY INTERCHANGE 115KV CKT 1	159.5	0.18901	127.4846	MANHATTAN TAP - RANDALL COUNTY INTERCHANGE 115KV CKT 1
15G	06ALL		2 TO->FROM	G15_032_115	OSAGE SWITCHING STATION - RANDALL COUNTY INTERCHANGE 115KV CKT 1	159.5	0.17826	122.3097	SPP-SWPS-V04
15SP	06ALL		2 FROM->TO	G15_032_115	PRINGLE INTERCHANGE - SPEARMAN INTERCHANGE 115KV CKT 1	159.7	0.04108	105.1384	PRINGLE INTERCHANGE - SPEARMAN INTERCHANGE 115KV CKT 2
15G	06ALL		2 FROM->TO	G15_032_115	PRINGLE INTERCHANGE - SPEARMAN INTERCHANGE 115KV CKT 1	158.4	0.04003	104.0619	PRINGLE INTERCHANGE - SPEARMAN INTERCHANGE 115KV CKT 2
15G	06ALL		2 FROM->TO	G15_032_115	SHAMROCK (SHAMRCK1) 115/69/14.4KV TRANSFORMER CKT 1	66	0.01513	106.5242	CHISHOLM6 230.00 - SWEETWATER 230KV CKT 1
15G	06ALL		2 FROM->TO	G15_032_115	SHAMROCK (SHAMRCK1) 115/69/14.4KV TRANSFORMER CKT 1	66	0.0136	106	HWRDWCK2 69.000 - JERICHO 69KV CKT 1
15G	06ALL		2 FROM->TO	G15_032_115	SHAMROCK (SHAMRCK1) 115/69/14.4KV TRANSFORMER CKT 1	66	0.0136	106	JERICHO - KIRBY SWITCHING STATION 115KV CKT 1

SEASON	GROUP	SCENARIO	DIRECTION	SOURCE	MONITORED ELEMENT	RATE (MVA)	TDF	CONTINGENCY		CONTINGENCY
								LOADING %		
15G	06ALL	2	FROM->TO	G15_032_115	SHAMROCK (SHAMRCK1) 115/69/14.4KV TRANSFORMER CKT 1	66	0.0136	106		JERICO (JERIC2WT) 115/69/14.4KV TRANSFORMER CKT 1
15G	06ALL	2	FROM->TO	G15_032_115	SHAMROCK (SHAMRCK1) 115/69/14.4KV TRANSFORMER CKT 1	66	0.0136	105.2424		CLARENDON - HWRDWCK2 69.000 69KV CKT 1
15G	06ALL	2	FROM->TO	G15_032_115	SHAMROCK (SHAMRCK1) 115/69/14.4KV TRANSFORMER CKT 1	67.1	0.01513	104.927		CHISHOLM6 230.00 - SWEETWATER 230KV CKT 1
15G	06ALL	2	FROM->TO	G15_032_115	SHAMROCK (SHAMRCK1) 115/69/14.4KV TRANSFORMER CKT 1	66	0.01423	104.8909		G14-074T 345.00 - OKLAUNION 345KV CKT 1
15G	06ALL	2	FROM->TO	G15_032_115	SHAMROCK (SHAMRCK1) 115/69/14.4KV TRANSFORMER CKT 1	67.1	0.0136	104.4113		HWRDWCK2 69.000 - JERICO 69KV CKT 1
15G	06ALL	2	FROM->TO	G15_032_115	SHAMROCK (SHAMRCK1) 115/69/14.4KV TRANSFORMER CKT 1	67.1	0.0136	104.4113		JERICO - KIRBY SWITCHING STATION 115KV CKT 1
15G	06ALL	2	FROM->TO	G15_032_115	SHAMROCK (SHAMRCK1) 115/69/14.4KV TRANSFORMER CKT 1	67.1	0.0136	104.4113		JERICO (JERIC2WT) 115/69/14.4KV TRANSFORMER CKT 1
15G	06ALL	2	FROM->TO	G15_032_115	SHAMROCK (SHAMRCK1) 115/69/14.4KV TRANSFORMER CKT 1	66	0.01513	104.2515		GRAPEVINE INTERCHANGE - STATELINE INTERCHANGE 230KV CKT 1
15G	06ALL	2	FROM->TO	G15_032_115	SHAMROCK (SHAMRCK1) 115/69/14.4KV TRANSFORMER CKT 1	67.1	0.0136	103.6662		CLARENDON - HWRDWCK2 69.000 69KV CKT 1
15G	06ALL	2	FROM->TO	G15_032_115	SHAMROCK (SHAMRCK1) 115/69/14.4KV TRANSFORMER CKT 1	66	0.01357	103.6121		CHISHOLM6 230.00 - ELK CITY 230KV 230KV CKT 1
15G	06ALL	2	FROM->TO	G15_032_115	SHAMROCK (SHAMRCK1) 115/69/14.4KV TRANSFORMER CKT 1	66	0.01357	103.6121		ELK CITY 230KV (ELKCTY-6) 230/138/13.8KV TRANSFORMER CKT 1
15G	06ALL	2	FROM->TO	G15_032_115	SHAMROCK (SHAMRCK1) 115/69/14.4KV TRANSFORMER CKT 1	66	0.01394	103.4939		CHISHOLM7 345.00 - GRACEMONT 345KV CKT 1
15G	06ALL	2	FROM->TO	G15_032_115	SHAMROCK (SHAMRCK1) 115/69/14.4KV TRANSFORMER CKT 1	67.1	0.01423	103.3204		G14-074T 345.00 - OKLAUNION 345KV CKT 1
15G	06ALL	2	FROM->TO	G15_032_115	SHAMROCK (SHAMRCK1) 115/69/14.4KV TRANSFORMER CKT 1	67.1	0.01513	102.8405		GRAPEVINE INTERCHANGE - STATELINE INTERCHANGE 230KV CKT 1
15G	06ALL	2	FROM->TO	G15_032_115	SHAMROCK (SHAMRCK1) 115/69/14.4KV TRANSFORMER CKT 1	66	0.0136	102.2121		CLARENDON - CLARENDON REC 69KV CKT 1
15G	06ALL	2	FROM->TO	G15_032_115	SHAMROCK (SHAMRCK1) 115/69/14.4KV TRANSFORMER CKT 1	67.1	0.01357	102.0626		CHISHOLM6 230.00 - ELK CITY 230KV 230KV CKT 1
15G	06ALL	2	FROM->TO	G15_032_115	SHAMROCK (SHAMRCK1) 115/69/14.4KV TRANSFORMER CKT 1	67.1	0.01357	102.0626		ELK CITY 230KV (ELKCTY-6) 230/138/13.8KV TRANSFORMER CKT 1
15G	06ALL	2	FROM->TO	G15_032_115	SHAMROCK (SHAMRCK1) 115/69/14.4KV TRANSFORMER CKT 1	67.1	0.01394	101.9464		CHISHOLM7 345.00 - GRACEMONT 345KV CKT 1
15G	06ALL	2	FROM->TO	G15_032_115	SHAMROCK (SHAMRCK1) 115/69/14.4KV TRANSFORMER CKT 1	66	0.01423	101.5576		G14-074T 345.00 - TUCO INTERCHANGE 345KV CKT 1
15G	06ALL	2	FROM->TO	G15_032_115	SHAMROCK (SHAMRCK1) 115/69/14.4KV TRANSFORMER CKT 1	66	0.0136	101		CLARENDON REC - HEDLEY 69KV CKT 1
15G	06ALL	2	FROM->TO	G15_032_115	SHAMROCK (SHAMRCK1) 115/69/14.4KV TRANSFORMER CKT 1	66	0.01343	100.7212		DBL-G1114-WWRD
15G	06ALL	2	FROM->TO	G15_032_115	SHAMROCK (SHAMRCK1) 115/69/14.4KV TRANSFORMER CKT 1	67.1	0.0136	100.6855		CLARENDON - CLARENDON REC 69KV CKT 1
15G	06ALL	2	FROM->TO	G15_032_115	SHAMROCK (SHAMRCK1) 115/69/14.4KV TRANSFORMER CKT 1	66	0.01513	100.6151		SPP-SWPS-02
15G	06ALL	2	FROM->TO	G15_032_115	SHAMROCK (SHAMRCK1) 115/69/14.4KV TRANSFORMER CKT 1	66	0.01513	100.6151		STATELINE INTERCHANGE - STLN-DEMARC6 230KV CKT 1
15G	06ALL	2	FROM->TO	G15_032_115	SHAMROCK (SHAMRCK1) 115/69/14.4KV TRANSFORMER CKT 1	66	0.01513	100.6151		STLN-DEMARC6 - SWEETWATER 230KV CKT 1
15SP	06ALL	2	FROM->TO	G15_032_115	SHAMROCK (SHAMRCK1) 115/69/14.4KV TRANSFORMER CKT 1	67.2	0.01337	100.375		HWRDWCK2 69.000 - JERICO 69KV CKT 1
15SP	06ALL	2	FROM->TO	G15_032_115	SHAMROCK (SHAMRCK1) 115/69/14.4KV TRANSFORMER CKT 1	67.2	0.01337	100.375		JERICO - KIRBY SWITCHING STATION 115KV CKT 1
15SP	06ALL	2	FROM->TO	G15_032_115	SHAMROCK (SHAMRCK1) 115/69/14.4KV TRANSFORMER CKT 1	67.2	0.01337	100.375		JERICO (JERIC2WT) 115/69/14.4KV TRANSFORMER CKT 1
15G	06ALL	2	FROM->TO	G15_032_115	SHAMROCK (SHAMRCK1) 115/69/14.4KV TRANSFORMER CKT 1	66	0.01343	100.1151		DBL-BVR-G1114
15G	06ALL	2	FROM->TO	G15_032_115	SHAMROCK (SHAMRCK1) 115/69/14.4KV TRANSFORMER CKT 1	66	0.0136	100.0909		HEDLEY - NORTH MEMPHIS REC 69KV CKT 1
15G	06ALL	2	FROM->TO	G15_032_115	SHAMROCK (SHAMRCK1) 115/69/14.4KV TRANSFORMER CKT 1	67.1	0.01423	100.0417		G14-074T 345.00 - TUCO INTERCHANGE 345KV CKT 1
20WP	06ALL	2	TO->FROM	G15_032_115	SUNSHINE CANYON - TUTTLE 138KV CKT 1	140.9	0.02054	108.89		CIMARRON - MINCO 345KV CKT 1
20SP	06ALL	2	TO->FROM	G15_032_115	SUNSHINE CANYON - TUTTLE 138KV CKT 1	141.6	0.02156	104.6172		CIMARRON - MINCO 345KV CKT 1
20WP	06ALL	2	TO->FROM	G15_032_115	SUNSHINE CANYON - TUTTLE 138KV CKT 1	140.9	0.02054	104.2058		GRACEMONT - MINCO 345KV CKT 1
15SP	06ALL	2	TO->FROM	G15_032_115	SUNSHINE CANYON - TUTTLE 138KV CKT 1	141.6	0.0229	103.9887		CIMARRON - MINCO 345KV CKT 1
15G	06ALL	2	FROM->TO	G15_032_115	SWISHER COUNTY INTERCHANGE (GE M101686) 230/115/13.2KV TRANSFORMER CKT 1	145.8	0	281.4815		KRESS INTERCHANGE - SWISHER COUNTY INTERCHANGE 115KV CKT 1
15G	06ALL	2	FROM->TO	G15_032_115	SWISHER COUNTY INTERCHANGE (GE M101686) 230/115/13.2KV TRANSFORMER CKT 1	146.1	0	280.9719		KRESS INTERCHANGE - SWISHER COUNTY INTERCHANGE 115KV CKT 1
25SP	06ALL	2	FROM->TO	G15_032_115	SWISHER COUNTY INTERCHANGE (UPDATE LATER) 230/115/13.2KV TRANSFORMER CKT 1	236.9	0	173.0266		KRESS INTERCHANGE - SWISHER COUNTY INTERCHANGE 115KV CKT 1
25SP	06ALL	2	FROM->TO	G15_032_115	SWISHER COUNTY INTERCHANGE (UPDATE LATER) 230/115/13.2KV TRANSFORMER CKT 1	239.2	0	171.4465		KRESS INTERCHANGE - SWISHER COUNTY INTERCHANGE 115KV CKT 1
20SP	06ALL	2	FROM->TO	G15_032_115	SWISHER COUNTY INTERCHANGE (UPDATE LATER) 230/115/13.2KV TRANSFORMER CKT 1	239.3	0	171.3748		KRESS INTERCHANGE - SWISHER COUNTY INTERCHANGE 115KV CKT 1
20SP	06ALL	2	FROM->TO	G15_032_115	SWISHER COUNTY INTERCHANGE (UPDATE LATER) 230/115/13.2KV TRANSFORMER CKT 1	240.8	0	170.3488		KRESS INTERCHANGE - SWISHER COUNTY INTERCHANGE 115KV CKT 1
15SP	06ALL	2	FROM->TO	G15_032_115	SWISHER COUNTY INTERCHANGE (UPDATE LATER) 230/115/13.2KV TRANSFORMER CKT 1	243	0	168.8066		KRESS INTERCHANGE - SWISHER COUNTY INTERCHANGE 115KV CKT 1
15SP	06ALL	2	FROM->TO	G15_032_115	SWISHER COUNTY INTERCHANGE (UPDATE LATER) 230/115/13.2KV TRANSFORMER CKT 1	243.8	0	168.2937		KRESS INTERCHANGE - SWISHER COUNTY INTERCHANGE 115KV CKT 1
20WP	06ALL	2	FROM->TO	G15_032_115	SWISHER COUNTY INTERCHANGE (UPDATE LATER) 230/115/13.2KV TRANSFORMER CKT 1	249.4	0	164.6351		KRESS INTERCHANGE - SWISHER COUNTY INTERCHANGE 115KV CKT 1
20WP	06ALL	2	FROM->TO	G15_032_115	SWISHER COUNTY INTERCHANGE (UPDATE LATER) 230/115/13.2KV TRANSFORMER CKT 1	249.4	0	164.595		KRESS INTERCHANGE - SWISHER COUNTY INTERCHANGE 115KV CKT 1
15WP	06ALL	2	FROM->TO	G15_032_115	SWISHER COUNTY INTERCHANGE (UPDATE LATER) 230/115/13.2KV TRANSFORMER CKT 1	250	0	164.24		KRESS INTERCHANGE - SWISHER COUNTY INTERCHANGE 115KV CKT 1
15WP	06ALL	2	FROM->TO	G15_032_115	SWISHER COUNTY INTERCHANGE (UPDATE LATER) 230/115/13.2KV TRANSFORMER CKT 1	250	0	164.2		KRESS INTERCHANGE - SWISHER COUNTY INTERCHANGE 115KV CKT 1
15SP	06ALL	2	FROM->TO	G15_032_115	THOMAS TAP - WEATHERFORD 69KV CKT 1	39	0.00797	114.2974		CLINTON JUNCTION - CLINTON NATURAL GAS TAP 138KV CKT 1
15G	06ALL	2	FROM->TO	G15_032_115	TUCO INTERCHANGE (GE M1022338) 345/230/13.2KV TRANSFORMER CKT 1	555.2	0.15145	101.522		TUCO INTERCHANGE (SIEM 8743066) 345/230/13.2KV TRANSFORMER CKT 2
15G	06ALL	2	FROM->TO	G15_032_115	TUCO INTERCHANGE (GE M1022338) 345/230/13.2KV TRANSFORMER CKT 1	557.4	0.15145	101.0495		TUCO INTERCHANGE (SIEM 8743066) 345/230/13.2KV TRANSFORMER CKT 2
20WP	06ALL	2	TO->FROM	G15_032_115	TUCO_2 345.00 (TUCO_2 XFMR) 345/230/13.2KV TRANSFORMER CKT 1	559.5	0.15224	110.1644		TUCO INTERCHANGE - TUCO_2 345.00 345KV CKT 1
20WP	06ALL	2	TO->FROM	G15_032_115	TUCO_2 345.00 (TUCO_2 XFMR) 345/230/13.2KV TRANSFORMER CKT 1	559.9	0.15224	110.05		TUCO INTERCHANGE - TUCO_2 345.00 345KV CKT 1
15G	06ALL	2	FROM->TO	G15_032_115	WICHITA (WICH TX-12) 345/138/13.8KV TRANSFORMER CKT 1	413.2	0.01249	106.6679		WICHITA (WICH TX-11) 345/138/13.8KV TRANSFORMER CKT 1
15G	06ALL	2	FROM->TO	G15_032_115	WICHITA (WICH TX-12) 345/138/13.8KV TRANSFORMER CKT 1	419.7	0.01249	104.8968		WICHITA (WICH TX-11) 345/138/13.8KV TRANSFORMER CKT 1
15WP	06ALL	2	FROM->TO	G15_032_115	WICHITA (WICH TX-12) 345/138/13.8KV TRANSFORMER CKT 1	414.2	0.01215	102.4017		WICHITA (WICH TX-11) 345/138/13.8KV TRANSFORMER CKT 1
15WP	06ALL	2	FROM->TO	G15_032_115	WICHITA (WICH TX-12) 345/138/13.8KV TRANSFORMER CKT 1	420.2	0.01215	100.8206		WICHITA (WICH TX-11) 345/138/13.8KV TRANSFORMER CKT 1
25SP	00NR	2	FROM->TO	G15_032_115	WOLFFORTH INTERCHANGE (WH 7001668) 230/115/13.2KV TRANSFORMER CKT 1	140.3	0.01934	100.6429		CARLISLE INTERCHANGE - LP-DOUD_TP 3115.00 115KV CKT 1
15G	06ALL	2	FROM->TO	G15_032_115	WOODWARD (WOODWRD2) 138/69/13.2KV TRANSFORMER CKT 1	133.3	0.01076	100.0675		FPL SWITCH - MOORELAND 138KV CKT 1
20SP	06ALL	3	FROM->TO	G15_032_115	ANADARKO - CORN TAP 138KV CKT 1	142.8	0.01468	100.1835		CIMARRON - MINCO 345KV CKT 1
15G	06ALL	3	TO->FROM	G15_032_115	ANADARKO - GRACMNT4 138.00 138KV CKT 1	225.1	0.05299	127.5247		CIMARRON - MINCO 345KV CKT 1
15G	06ALL	3	TO->FROM	G15_032_115	ANADARKO - GRACMNT4 138.00 138KV CKT 1	225.1	0.05299	119.3505		GRACEMONT - MINCO 345KV CKT 1
15G	06ALL	3	TO->FROM	G15_032_115	ANADARKO - GRACMNT4 138.00 138KV CKT 1	225.1	0.03019	106.932		SOUTHWESTERN STATION - WASHITA 138KV CKT 1
15SP	06ALL	3	FROM->TO	G15_032_115	BENTLEY4 138.00 - HALSTEAD SOUTH BUS 138KV CKT 1	142.2	0.00688	108.2644		RENO COUNTY - WICHITA 345KV CKT 1
20WP	06ALL	3	FROM->TO	G15_032_115	CLEARWATER - GILL ENERGY CENTER WEST 138KV CKT 1	142.9	0.01158	119.4836		GILL ENERGY CENTER SOUTH - VIOLA 4 138.00 138KV CKT 1

SEASON	GROUP	SCENARIO	DIRECTION	SOURCE	MONITORED ELEMENT	RATE (MVA)	TDF	CONTINGENCY		CONTINGENCY
								LOADING %		
20SP	06ALL	3	FROM->TO	G15_032_115	CLEARWATER - GILL ENERGY CENTER WEST 138KV CKT 1	142.2	0.01392	102.4233		GILL ENERGY CENTER SOUTH - VIOLA 4 138.00 138KV CKT 1
15SP	06ALL	3	TO->FROM	G15_032_115	CLINTON CITY - FOSS TAP 69KV CKT 1	74.5	0.00797	103.4497		CLINTON JUNCTION - CLINTON NATURAL GAS TAP 138KV CKT 1
15SP	06ALL	3	FROM->TO	G15_032_115	CLINTON CITY - THOMAS TAP 69KV CKT 1	38.9	0.00797	125.6298		CLINTON JUNCTION - CLINTON NATURAL GAS TAP 138KV CKT 1
20SP	06ALL	3	FROM->TO	G15_032_115	CLINTON CITY - THOMAS TAP 69KV CKT 1	39	0.0076	102.959		CLINTON JUNCTION - CLINTON NATURAL GAS TAP 138KV CKT 1
15G	06ALL	3	FROM->TO	G15_032_115	CLINTON CITY - THOMAS TAP 69KV CKT 1	47.9	0.00775	101.1232		CLINTON JUNCTION - CLINTON NATURAL GAS TAP 138KV CKT 1
15SP	06ALL	3	TO->FROM	G15_032_115	CLINTON JUNCTION - ELK CITY 138KV CKT 1	148.8	0.04316	140.7016		CHISHOLM7 345.00 - GRACEMONT 345KV CKT 1
15G	06ALL	3	TO->FROM	G15_032_115	CLINTON JUNCTION - ELK CITY 138KV CKT 1	185.1	0.04168	124.1459		CHISHOLM7 345.00 - GRACEMONT 345KV CKT 1
15SP	06ALL	3	TO->FROM	G15_032_115	CLINTON JUNCTION - ELK CITY 138KV CKT 1	148.8	0.0362	122.8038		G14-074T 345.00 - OKLAUNION 345KV CKT 1
15SP	06ALL	3	TO->FROM	G15_032_115	CLINTON JUNCTION - ELK CITY 138KV CKT 1	148.8	0.02231	120.3804		ONEY - WASHITA 138KV CKT 1
15SP	06ALL	3	TO->FROM	G15_032_115	CLINTON JUNCTION - ELK CITY 138KV CKT 1	148.8	0.0362	118.7715		G14-074T 345.00 - TUO INTERCHANGE 345KV CKT 1
15SP	06ALL	3	TO->FROM	G15_032_115	CLINTON JUNCTION - ELK CITY 138KV CKT 1	148.8	0.03312	118.2352		NORTHWEST - TATONGA7 345.00 345KV CKT 1
15SP	06ALL	3	TO->FROM	G15_032_115	CLINTON JUNCTION - ELK CITY 138KV CKT 1	148.8	0.02231	117.8266		BINGER NIJECT - ONEY 138KV CKT 1
15SP	06ALL	3	TO->FROM	G15_032_115	CLINTON JUNCTION - ELK CITY 138KV CKT 1	148.8	0.03312	117.7648		SPSCont-05b
15SP	06ALL	3	TO->FROM	G15_032_115	CLINTON JUNCTION - ELK CITY 138KV CKT 1	148.8	0.03312	117.2943		SPSCont-04
15SP	06ALL	3	TO->FROM	G15_032_115	CLINTON JUNCTION - ELK CITY 138KV CKT 1	148.8	0.03364	117.1129		DBL-THIS-WWRD
15SP	06ALL	3	TO->FROM	G15_032_115	CLINTON JUNCTION - ELK CITY 138KV CKT 1	132.4	0.02915	116.2206		BASE CASE
15SP	06ALL	3	TO->FROM	G15_032_115	CLINTON JUNCTION - ELK CITY 138KV CKT 1	148.8	0.03308	115.6693		CLINTON AIR FORCE BASE TAP - ELK CITY 138KV CKT 1
15SP	06ALL	3	TO->FROM	G15_032_115	CLINTON JUNCTION - ELK CITY 138KV CKT 1	148.8	0.03578	115.3992		CHISHOLM7 345.00 - WOODWARD DISTRICT EHV 345KV CKT 1
15SP	06ALL	3	TO->FROM	G15_032_115	CLINTON JUNCTION - ELK CITY 138KV CKT 1	148.8	0.03308	114.7957		CLINTON AIR FORCE BASE TAP - HOBART JUNCTION 138KV CKT 1
15SP	06ALL	3	TO->FROM	G15_032_115	CLINTON JUNCTION - ELK CITY 138KV CKT 1	148.8	0.03312	113.6653		G11_051T 345.00 - TATONGA7 345.00 345KV CKT 1
15SP	06ALL	3	TO->FROM	G15_032_115	CLINTON JUNCTION - ELK CITY 138KV CKT 1	148.8	0.02231	113.66		BINGER NIJECT - SICKLES 138KV CKT 1
15SP	06ALL	3	TO->FROM	G15_032_115	CLINTON JUNCTION - ELK CITY 138KV CKT 1	148.8	0.02231	113.0551		CLINTON JUNCTION - G07-32T 138.00 138KV CKT 1
15SP	06ALL	3	TO->FROM	G15_032_115	CLINTON JUNCTION - ELK CITY 138KV CKT 1	148.8	0.02915	112.9543		G07-32 138.00 - G07-32T 138.00 138KV CKT 1
15SP	06ALL	3	TO->FROM	G15_032_115	CLINTON JUNCTION - ELK CITY 138KV CKT 1	148.8	0.02915	112.9543		G07-32 138.00 138/34.5KV TRANSFORMER CKT 1
15SP	06ALL	3	TO->FROM	G15_032_115	CLINTON JUNCTION - ELK CITY 138KV CKT 1	148.8	0.02915	112.9543		G07-32 34.500 34.5/12.0KV TRANSFORMER CKT 1
15SP	06ALL	3	TO->FROM	G15_032_115	CLINTON JUNCTION - ELK CITY 138KV CKT 1	148.8	0.02915	111.6102		WASHITA - WEATHERFORD WIND FARM 34 KV 34.5KV CKT 1
15WP	06ALL	3	TO->FROM	G15_032_115	CLINTON JUNCTION - ELK CITY 138KV CKT 1	186.8	0.04409	111.257		CHISHOLM7 345.00 - GRACEMONT 345KV CKT 1
20SP	06ALL	3	TO->FROM	G15_032_115	CLINTON JUNCTION - ELK CITY 138KV CKT 1	151.1	0.04279	109.5658		CHISHOLM7 345.00 - GRACEMONT 345KV CKT 1
20SP	06ALL	3	TO->FROM	G15_032_115	CLINTON JUNCTION - ELK CITY 138KV CKT 1	151.1	0.02218	106.5215		ONEY - WASHITA 138KV CKT 1
15G	06ALL	3	TO->FROM	G15_032_115	CLINTON JUNCTION - ELK CITY 138KV CKT 1	185.1	0.03487	105.7482		G14-074T 345.00 - OKLAUNION 345KV CKT 1
20SP	06ALL	3	TO->FROM	G15_032_115	CLINTON JUNCTION - ELK CITY 138KV CKT 1	151.1	0.02218	103.9404		BINGER NIJECT - ONEY 138KV CKT 1
20WP	06ALL	3	TO->FROM	G15_032_115	CLINTON JUNCTION - ELK CITY 138KV CKT 1	187.5	0.04221	102.8299		CHISHOLM7 345.00 - GRACEMONT 345KV CKT 1
15G	06ALL	3	TO->FROM	G15_032_115	CLINTON JUNCTION - ELK CITY 138KV CKT 1	185.1	0.03487	102.6688		G14-074T 345.00 - TUO INTERCHANGE 345KV CKT 1
15G	06ALL	3	TO->FROM	G15_032_115	CLINTON JUNCTION - ELK CITY 138KV CKT 1	185.1	0.032	102.4171		NORTHWEST - TATONGA7 345.00 345KV CKT 1
15G	06ALL	3	TO->FROM	G15_032_115	CLINTON JUNCTION - ELK CITY 138KV CKT 1	185.1	0.032	102.0389		SPSCont-05b
15G	06ALL	3	TO->FROM	G15_032_115	CLINTON JUNCTION - ELK CITY 138KV CKT 1	185.1	0.032	101.7147		SPSCont-04
15G	06ALL	3	TO->FROM	G15_032_115	CLINTON JUNCTION - ELK CITY 138KV CKT 1	185.1	0.0318	101.5991		CLINTON AIR FORCE BASE TAP - ELK CITY 138KV CKT 1
15G	06ALL	3	TO->FROM	G15_032_115	CLINTON JUNCTION - ELK CITY 138KV CKT 1	185.1	0.0318	100.9508		CLINTON AIR FORCE BASE TAP - HOBART JUNCTION 138KV CKT 1
15G	06ALL	3	TO->FROM	G15_032_115	CLINTON JUNCTION - ELK CITY 138KV CKT 1	185.1	0.03459	100.2798		CHISHOLM7 345.00 - WOODWARD DISTRICT EHV 345KV CKT 1
15G	06ALL	3	TO->FROM	G15_032_115	CLINTON JUNCTION - ELK CITY 138KV CKT 1	185.1	0.03239	100.0648		DBL-THIS-WWRD
15SP	06ALL	3	FROM->TO	G15_032_115	CLINTON JUNCTION - FOSS TAP 69KV CKT 1	74.7	0.00797	104.3775		CLINTON JUNCTION - CLINTON NATURAL GAS TAP 138KV CKT 1
15SP	06ALL	3	TO->FROM	G15_032_115	COMANCHE TAP - TOSCO 69KV CKT 1	39	0.00556	103.8051		G14-057T 345.00 - SUNNYSIDE 345KV CKT 1
15SP	06ALL	3	TO->FROM	G15_032_115	COMANCHE TAP - TOSCO 69KV CKT 1	39	0.00556	100.9846		G14-057T 345.00 - LAWTON EASTSIDE 345KV CKT 1
20WP	06ALL	3	FROM->TO	G15_032_115	CORN TAP - PAYNE 138.00 138KV CKT 1	141.6	0.0177	111.0862		G14-057T 345.00 - SUNNYSIDE 345KV CKT 1
20WP	06ALL	3	FROM->TO	G15_032_115	CORN TAP - PAYNE 138.00 138KV CKT 1	141.6	0.0177	109.3206		G14-057T 345.00 - LAWTON EASTSIDE 345KV CKT 1
15WP	06ALL	3	FROM->TO	G15_032_115	CORN TAP - PAYNE 138.00 138KV CKT 1	141.4	0.01837	109.0523		G14-057T 345.00 - SUNNYSIDE 345KV CKT 1
20WP	06ALL	3	FROM->TO	G15_032_115	CORN TAP - PAYNE 138.00 138KV CKT 1	141.6	0.018	107.4703		CIMARRON - MINCO 345KV CKT 1
15WP	06ALL	3	FROM->TO	G15_032_115	CORN TAP - PAYNE 138.00 138KV CKT 1	141.4	0.01837	107.2843		G14-057T 345.00 - LAWTON EASTSIDE 345KV CKT 1
20WP	06ALL	3	FROM->TO	G15_032_115	CORN TAP - PAYNE 138.00 138KV CKT 1	141.6	0.01409	105.7217		ANADARKO - BLANCHARD 138KV CKT 1
20WP	06ALL	3	FROM->TO	G15_032_115	CORN TAP - PAYNE 138.00 138KV CKT 1	141.6	0.018	104.363		GRACEMONT - MINCO 345KV CKT 1
20WP	06ALL	3	FROM->TO	G15_032_115	CORN TAP - PAYNE 138.00 138KV CKT 1	141.6	0.01409	103.815		BLANCHARD - OUSW4 138KV CKT 1
15WP	06ALL	3	FROM->TO	G15_032_115	CORN TAP - PAYNE 138.00 138KV CKT 1	141.4	0.0188	101.9505		CIMARRON - MINCO 345KV CKT 1
15WP	06ALL	3	FROM->TO	G15_032_115	CORN TAP - PAYNE 138.00 138KV CKT 1	141.4	0.01469	100.6096		ANADARKO - BLANCHARD 138KV CKT 1
15SP	06ALL	3	FROM->TO	G15_032_115	DUNCAN - TOSCO 69KV CKT 1	38.9	0.00556	108.1851		G14-057T 345.00 - SUNNYSIDE 345KV CKT 1
15SP	06ALL	3	FROM->TO	G15_032_115	DUNCAN - TOSCO 69KV CKT 1	38.9	0.00556	105.3573		G14-057T 345.00 - LAWTON EASTSIDE 345KV CKT 1
15WP	06ALL	3	FROM->TO	G15_032_115	DUNCAN - TOSCO 69KV CKT 1	47.8	0.00576	100.8326		G14-057T 345.00 - SUNNYSIDE 345KV CKT 1
20WP	06ALL	3	FROM->TO	G15_032_115	DUNCAN - TOSCO 69KV CKT 1	47.9	0.0054	100.5887		G14-057T 345.00 - SUNNYSIDE 345KV CKT 1
15SP	06ALL	3	TO->FROM	G15_032_115	EARLSBORO 4138.00 - MAUD 138KV CKT 1	97.7	0.00717	106.0594		MAUD (MAUD1) 138/69/13.2KV TRANSFORMER CKT 1
15SP	06ALL	3	TO->FROM	G15_032_115	EARLSBORO 4138.00 - MAUD 138KV CKT 1	97.7	0.00697	100.9212		CANADIAN RIVER - MCALESTER SOUTH 138KV CKT 1
15SP	06ALL	3	TO->FROM	G15_032_115	EARLSBORO 4138.00 - MAUD 138KV CKT 1	97.7	0.00688	100.9212		SPP-SWPS-T54
25SP	06ALL	3	FROM->TO	G15_032_115	EDDY_NORTH 6230.00 (WAAK W01134) 230/115/13.2KV TRANSFORMER CKT 2	285	0.00789	104.6751		EDDY COUNTY INTERCHANGE - EDDY_NORTH 6230.00 230KV CKT @1
25SP	06ALL	3	FROM->TO	G15_032_115	EDDY_NORTH 6230.00 (WAAK W01134) 230/115/13.2KV TRANSFORMER CKT 2	286.3	0.00789	104.095		EDDY COUNTY INTERCHANGE - EDDY_NORTH 6230.00 230KV CKT @1
15G	06ALL	3	FROM->TO	G15_032_115	ELDORADO - ELDORADO JCT 69KV CKT 1	26.9	0.00911	102.0892		LAKE PAULINE - RUSSELL 138KV CKT 1
15SP	06ALL	3	FROM->TO	G15_032_115	ELK CITY 230KV (ELKCTY-6) 230/138/13.8KV TRANSFORMER CKT 1	446.4	0.10242	117.1214		CHISHOLM7 345.00 - GRACEMONT 345KV CKT 1

SEASON	GROUP	SCENARIO	DIRECTION	SOURCE	MONITORED ELEMENT	RATE (MVA)	TDF	CONTINGENCY LOADING %	CONTINGENCY
15G	06ALL		3 FROM->TO	G15_032_115	ELK CITY 230KV (ELKCTY-6) 230/138/13.8KV TRANSFORMER CKT 1	446.9	0.09667	117.1005	CHISHOLM7 345.00 - GRACEMONT 345KV CKT 1
15G	06ALL		3 FROM->TO	G15_032_115	ELK CITY 230KV (ELKCTY-6) 230/138/13.8KV TRANSFORMER CKT 1	449.3	0.09667	116.564	CHISHOLM7 345.00 - GRACEMONT 345KV CKT 1
15SP	06ALL		3 FROM->TO	G15_032_115	ELK CITY 230KV (ELKCTY-6) 230/138/13.8KV TRANSFORMER CKT 1	449.3	0.10242	116.4768	CHISHOLM7 345.00 - GRACEMONT 345KV CKT 1
15WP	06ALL		3 FROM->TO	G15_032_115	ELK CITY 230KV (ELKCTY-6) 230/138/13.8KV TRANSFORMER CKT 1	447.2	0.10524	112.5496	CHISHOLM7 345.00 - GRACEMONT 345KV CKT 1
15WP	06ALL		3 FROM->TO	G15_032_115	ELK CITY 230KV (ELKCTY-6) 230/138/13.8KV TRANSFORMER CKT 1	449.3	0.10524	112.1126	CHISHOLM7 345.00 - GRACEMONT 345KV CKT 1
20WP	06ALL		3 FROM->TO	G15_032_115	ELK CITY 230KV (ELKCTY-6) 230/138/13.8KV TRANSFORMER CKT 1	448.3	0.10109	106.8579	CHISHOLM7 345.00 - GRACEMONT 345KV CKT 1
20WP	06ALL		3 FROM->TO	G15_032_115	ELK CITY 230KV (ELKCTY-6) 230/138/13.8KV TRANSFORMER CKT 1	449.7	0.10109	106.6142	CHISHOLM7 345.00 - GRACEMONT 345KV CKT 1
15SP	06ALL		3 FROM->TO	G15_032_115	ELK CITY 230KV (ELKCTY-6) 230/138/13.8KV TRANSFORMER CKT 1	446.4	0.08656	103.5995	G14-074T 345.00 - OKLAUNION 345KV CKT 1
15SP	06ALL		3 FROM->TO	G15_032_115	ELK CITY 230KV (ELKCTY-6) 230/138/13.8KV TRANSFORMER CKT 1	449.3	0.08656	103.0421	G14-074T 345.00 - OKLAUNION 345KV CKT 1
15SP	06ALL		3 FROM->TO	G15_032_115	ELK CITY 230KV (ELKCTY-6) 230/138/13.8KV TRANSFORMER CKT 1	446.4	0.09297	101.8212	CHISHOLM7 345.00 - WOODWARD DISTRICT EHV 345KV CKT 1
15SP	06ALL		3 FROM->TO	G15_032_115	ELK CITY 230KV (ELKCTY-6) 230/138/13.8KV TRANSFORMER CKT 1	449.3	0.09297	101.2531	CHISHOLM7 345.00 - WOODWARD DISTRICT EHV 345KV CKT 1
15SP	06ALL		3 FROM->TO	G15_032_115	ELK CITY 230KV (ELKCTY-6) 230/138/13.8KV TRANSFORMER CKT 1	446.4	0.08656	100.1496	G14-074T 345.00 - TUCO INTERCHANGE 345KV CKT 1
15G	06ALL		3 FROM->TO	G15_032_115	FPL SWITCH - MOORELAND 138KV CKT 1	284.1	0.04624	119.1644	DBL-THIS-WWRD
15G	06ALL		3 FROM->TO	G15_032_115	FPL SWITCH - MOORELAND 138KV CKT 1	284.1	0.03796	111.6987	NORTHWEST - TATONGA7 345.00 345KV CKT 1
15G	06ALL		3 FROM->TO	G15_032_115	FPL SWITCH - MOORELAND 138KV CKT 1	284.1	0.03796	110.1499	SPSCont-04
15G	06ALL		3 FROM->TO	G15_032_115	FPL SWITCH - MOORELAND 138KV CKT 1	284.1	0.03796	109.9036	SPSCont-05b
15G	06ALL		3 FROM->TO	G15_032_115	FPL SWITCH - MOORELAND 138KV CKT 1	284.1	0.03757	108.3928	CHISHOLM6 230.00 - ELK CITY 230KV 230KV CKT 1
15G	06ALL		3 FROM->TO	G15_032_115	FPL SWITCH - MOORELAND 138KV CKT 1	284.1	0.03757	108.3928	ELK CITY 230KV (ELKCTY-6) 230/138/13.8KV TRANSFORMER CKT 1
15G	06ALL		3 FROM->TO	G15_032_115	FPL SWITCH - MOORELAND 138KV CKT 1	284.1	0.03796	104.7293	G11_051T 345.00 - TATONGA7 345.00 345KV CKT 1
15G	06ALL		3 FROM->TO	G15_032_115	FPL SWITCH - MOORELAND 138KV CKT 1	284.1	0.03796	103.9198	G11_051T 345.00 - WOODWARD DISTRICT EHV 345KV CKT 1
15G	06ALL		3 FROM->TO	G15_032_115	FPL SWITCH - MOORELAND 138KV CKT 1	284.1	0.03796	102.2302	SPSCont-05ax
15G	06ALL		3 FROM->TO	G15_032_115	FPL SWITCH - MOORELAND 138KV CKT 1	284.1	0.02897	102.0401	WOODWARD (WOODWRD2) 138/69/13.2KV TRANSFORMER CKT 1
15G	06ALL		3 TO->FROM	G15_032_115	FPL SWITCH - WOODWARD 138KV CKT 1	285.1	0.04624	112.3627	DBL-THIS-WWRD
15G	06ALL		3 TO->FROM	G15_032_115	FPL SWITCH - WOODWARD 138KV CKT 1	285.1	0.03796	104.9583	NORTHWEST - TATONGA7 345.00 345KV CKT 1
15G	06ALL		3 TO->FROM	G15_032_115	FPL SWITCH - WOODWARD 138KV CKT 1	285.1	0.03796	103.4149	SPSCont-04
15G	06ALL		3 TO->FROM	G15_032_115	FPL SWITCH - WOODWARD 138KV CKT 1	285.1	0.03796	103.1694	SPSCont-05b
15G	06ALL		3 TO->FROM	G15_032_115	FPL SWITCH - WOODWARD 138KV CKT 1	285.1	0.03757	101.664	CHISHOLM6 230.00 - ELK CITY 230KV 230KV CKT 1
15G	06ALL		3 TO->FROM	G15_032_115	FPL SWITCH - WOODWARD 138KV CKT 1	285.1	0.03757	101.664	ELK CITY 230KV (ELKCTY-6) 230/138/13.8KV TRANSFORMER CKT 1
15SP	06ALL		3 TO->FROM	G15_032_115	GLASS MOUNTAIN - MOORELAND 138KV CKT 1	122.3	0.02083	109.2706	DBL-THIS-WWRD
20WP	06ALL		3 TO->FROM	G15_032_115	GLASS MOUNTAIN - MOORELAND 138KV CKT 1	122.3	0.02038	101.287	DBL-THIS-WWRD
15WP	06ALL		3 TO->FROM	G15_032_115	GLASS MOUNTAIN - MOORELAND 138KV CKT 1	122.2	0.02132	100.7676	DBL-THIS-WWRD
15SP	06ALL		3 TO->FROM	G15_032_115	GLASS MOUNTAIN - MOORELAND 138KV CKT 1	122.3	0.01606	100.5576	MOORELAND - NOEL_SW 138.00 138KV CKT 1
15G	06ALL		3 TO->FROM	G15_032_115	GRAPEVINE INTERCHANGE - NICHOLS STATION 230KV CKT 1	350	0.08001	100.2623	GRAPEVINE 345.00 - POTTER COUNTY INTERCHANGE 345KV CKT 1
15G	06ALL		3 TO->FROM	G15_032_115	GRAPEVINE INTERCHANGE - NICHOLS STATION 230KV CKT 1	350	0.07635	100.2189	DBL-G1114-WWRD
15G	06ALL		3 TO->FROM	G15_032_115	GRAPEVINE INTERCHANGE - NICHOLS STATION 230KV CKT 1	350	0.08001	100.0337	CHISHOLM7 345.00 - GRAPEVINE 345.00 345KV CKT 1
15G	06ALL		3 FROM->TO	G15_032_115	Harrington Station East Bus - POTTER COUNTY INTERCHANGE 230KV CKT 1	346.9	0.11386	121.5607	CHERRY1 - HARRINGTON STATION 230KV CKT 1
15G	06ALL		3 FROM->TO	G15_032_115	Harrington Station East Bus - POTTER COUNTY INTERCHANGE 230KV CKT 1	346.9	0.13492	120.1234	CHERRY1 - POTTER COUNTY INTERCHANGE 230KV CKT 1
15G	06ALL		3 TO->FROM	G15_032_115	HAYS PLANT - SOUTH HAYS 115KV CKT 1	98.9	0.0061	115.5066	KNOLL 230 - POSTROCK6 230.00 230KV CKT 1
15SP	06ALL		3 FROM->TO	G15_032_115	HAYS PLANT - VINE STREET 115KV CKT 1	88	0.00585	116.9159	KNOLL 230 - POSTROCK6 230.00 230KV CKT 1
15G	06ALL		3 FROM->TO	G15_032_115	HAYS PLANT - VINE STREET 115KV CKT 1	87.9	0.0061	105.9568	KNOLL 230 - POSTROCK6 230.00 230KV CKT 1
15SP	06ALL		3 FROM->TO	G15_032_115	JERICHO (JERIC2WT) 115/69/14.4KV TRANSFORMER CKT 1	45.6	0.00728	107.4825	KIRBY SWITCHING STATION - MCCLELLAN SUB 115KV CKT 1
15SP	06ALL		3 FROM->TO	G15_032_115	JERICHO (JERIC2WT) 115/69/14.4KV TRANSFORMER CKT 1	45.9	0.00728	106.78	KIRBY SWITCHING STATION - MCCLELLAN SUB 115KV CKT 1
15SP	06ALL		3 FROM->TO	G15_032_115	JERICHO (JERIC2WT) 115/69/14.4KV TRANSFORMER CKT 1	45.6	0.00728	105.9474	MCCLELLAN SUB - MCLEAN RURAL SUB 115KV CKT 1
15SP	06ALL		3 FROM->TO	G15_032_115	JERICHO (JERIC2WT) 115/69/14.4KV TRANSFORMER CKT 1	45.9	0.00728	105.2549	MCCLELLAN SUB - MCLEAN RURAL SUB 115KV CKT 1
15G	06ALL		3 FROM->TO	G15_032_115	JERICHO (JERIC2WT) 115/69/14.4KV TRANSFORMER CKT 1	45.7	0.00738	102.5383	KIRBY SWITCHING STATION - MCCLELLAN SUB 115KV CKT 1
15SP	06ALL		3 FROM->TO	G15_032_115	JERICHO (JERIC2WT) 115/69/14.4KV TRANSFORMER CKT 1	45.6	0.00728	102.4386	SPP-SWPS-T54
15G	06ALL		3 FROM->TO	G15_032_115	JERICHO (JERIC2WT) 115/69/14.4KV TRANSFORMER CKT 1	45.9	0.00738	102.0915	KIRBY SWITCHING STATION - MCCLELLAN SUB 115KV CKT 1
15SP	06ALL		3 FROM->TO	G15_032_115	JERICHO (JERIC2WT) 115/69/14.4KV TRANSFORMER CKT 1	45.9	0.00728	101.7691	SPP-SWPS-T54
15G	06ALL		3 FROM->TO	G15_032_115	JERICHO (JERIC2WT) 115/69/14.4KV TRANSFORMER CKT 1	45.7	0.00738	101.2254	MCCLELLAN SUB - MCLEAN RURAL SUB 115KV CKT 1
15SP	06ALL		3 FROM->TO	G15_032_115	JERICHO (JERIC2WT) 115/69/14.4KV TRANSFORMER CKT 1	45.6	0.00728	100.9035	MCLEAN RURAL SUB - SHAMROCK 115KV CKT 1
15SP	06ALL		3 FROM->TO	G15_032_115	JERICHO (JERIC2WT) 115/69/14.4KV TRANSFORMER CKT 1	45.6	0.00728	100.9035	SHAMROCK (SHAMRCK1) 115/69/14.4KV TRANSFORMER CKT 1
15G	06ALL		3 FROM->TO	G15_032_115	JERICHO (JERIC2WT) 115/69/14.4KV TRANSFORMER CKT 1	45.9	0.00738	100.7843	MCCLELLAN SUB - MCLEAN RURAL SUB 115KV CKT 1
15SP	06ALL		3 FROM->TO	G15_032_115	JERICHO (JERIC2WT) 115/69/14.4KV TRANSFORMER CKT 1	45.9	0.00728	100.244	MCLEAN RURAL SUB - SHAMROCK 115KV CKT 1
15SP	06ALL		3 FROM->TO	G15_032_115	JERICHO (JERIC2WT) 115/69/14.4KV TRANSFORMER CKT 1	45.9	0.00728	100.244	SHAMROCK (SHAMRCK1) 115/69/14.4KV TRANSFORMER CKT 1
25SP	06ALL		3 TO->FROM	G15_032_115	KRESS INTERCHANGE - SWISHER COUNTY INTERCHANGE 115KV CKT 1	228.2	-0.25038	115.149	SWISHER COUNTY INTERCHANGE (UPDATE LATER) 230/115/13.2KV TRANSFORMER CKT 1
25SP	06ALL		3 TO->FROM	G15_032_115	KRESS INTERCHANGE - SWISHER COUNTY INTERCHANGE 115KV CKT 1	228.2	-0.25038	115.1052	SWISHER COUNTY INTERCHANGE (SWISHER2) 230/115/13.2KV TRANSFORMER CKT 1
20SP	06ALL		3 TO->FROM	G15_032_115	KRESS INTERCHANGE - SWISHER COUNTY INTERCHANGE 115KV CKT 1	231.3	-0.25042	108.4073	SWISHER COUNTY INTERCHANGE (SWISHER2) 230/115/13.2KV TRANSFORMER CKT 1
20SP	06ALL		3 TO->FROM	G15_032_115	KRESS INTERCHANGE - SWISHER COUNTY INTERCHANGE 115KV CKT 1	231.3	-0.25042	108.4073	SWISHER COUNTY INTERCHANGE (UPDATE LATER) 230/115/13.2KV TRANSFORMER CKT 1
25SP	06ALL		3 TO->FROM	G15_032_115	KRESS INTERCHANGE - SWISHER COUNTY INTERCHANGE 115KV CKT 1	228.2	-0.3101	108.2095	AMARILLO SOUTH INTERCHANGE - SWISHER COUNTY INTERCHANGE 230KV CKT 1
25SP	06ALL		3 TO->FROM	G15_032_115	KRESS INTERCHANGE - SWISHER COUNTY INTERCHANGE 115KV CKT 1	206.1	-0.32958	104.8937	BASE CASE

SEASON	GROUP	SCENARIO	DIRECTION	SOURCE	MONITORED ELEMENT	RATE (MVA)	TDF	CONTINGENCY LOADING %	CONTINGENCY
20SP	06ALL		3 TO->FROM	G15_032_115	KRESS INTERCHANGE - SWISHER COUNTY INTERCHANGE 115KV CKT 1	231.3	-0.31033	102.5084	AMARILLO SOUTH INTERCHANGE - SWISHER COUNTY INTERCHANGE 230KV CKT 1
15SP	06ALL		3 TO->FROM	G15_032_115	KRESS INTERCHANGE - SWISHER COUNTY INTERCHANGE 115KV CKT 1	234.5	-0.25061	102.4495	SWISHER COUNTY INTERCHANGE (SWISHER2) 230/115/13.2KV TRANSFORMER CKT 1
15SP	06ALL		3 TO->FROM	G15_032_115	KRESS INTERCHANGE - SWISHER COUNTY INTERCHANGE 115KV CKT 1	234.5	-0.25061	102.4495	SWISHER COUNTY INTERCHANGE (UPDATE LATER) 230/115/13.2KV TRANSFORMER CKT 1
25SP	06ALL		3 TO->FROM	G15_032_115	KRESS INTERCHANGE - SWISHER COUNTY INTERCHANGE 115KV CKT 1	228.2	-0.2825	101.1218	SWISHER COUNTY INTERCHANGE - TUCO_2 230.00 230KV CKT 1
25SP	00NR		3 TO->FROM	G15_032_115	LUBBOCK POWER & LIGHT-CO-OP - LUBBOCK POWER & LIGHT-SLATON 69KV CKT 1	53.5	0.00706	154.4262	LUBBOCK POWER & LIGHT-CO-OP - LUBBOCK POWER & LIGHT-WADSWORTH 69KV CKT 1
20SP	00NR		3 TO->FROM	G15_032_115	LUBBOCK POWER & LIGHT-CO-OP - LUBBOCK POWER & LIGHT-SLATON 69KV CKT 1	53.6	0.00982	138.3321	LUBBOCK POWER & LIGHT-CO-OP - LUBBOCK POWER & LIGHT-WADSWORTH 69KV CKT 1
15SP	00NR		3 TO->FROM	G15_032_115	LUBBOCK POWER & LIGHT-CO-OP - LUBBOCK POWER & LIGHT-SLATON 69KV CKT 1	53.9	0.00956	115.3395	LUBBOCK POWER & LIGHT-CO-OP - LUBBOCK POWER & LIGHT-WADSWORTH 69KV CKT 1
20WP	00NR		3 TO->FROM	G15_032_115	LUBBOCK POWER & LIGHT-CO-OP - LUBBOCK POWER & LIGHT-SLATON 69KV CKT 1	53.9	0.01601	105.3859	LUBBOCK POWER & LIGHT-CO-OP - LUBBOCK POWER & LIGHT-WADSWORTH 69KV CKT 1
25SP	00NR		3 TO->FROM	G15_032_115	LUBBOCK POWER & LIGHT-CO-OP - LUBBOCK POWER & LIGHT-WADSWORTH 69KV CKT 1	105.6	0.0071	126.9223	BASE CASE
25SP	00NR		3 TO->FROM	G15_032_115	LUBBOCK POWER & LIGHT-CO-OP - LUBBOCK POWER & LIGHT-WADSWORTH 69KV CKT 1	141.2	0.00861	125.4837	LUBBOCK POWER & LIGHT-SLATON - LUBBOCK POWER & LIGHT-SOUTHEAST 69KV CKT 1
25SP	00NR		3 TO->FROM	G15_032_115	LUBBOCK POWER & LIGHT-CO-OP - LUBBOCK POWER & LIGHT-WADSWORTH 69KV CKT 1	141.2	0.0094	116.0907	LUBBOCK POWER & LIGHT-SOUTHEAST - LUBBOCK SOUTH INTERCHANGE 230KV CKT 1
25SP	00NR		3 TO->FROM	G15_032_115	LUBBOCK POWER & LIGHT-CO-OP - LUBBOCK POWER & LIGHT-WADSWORTH 69KV CKT 1	141.2	0.00889	114.2826	LUBBOCK POWER & LIGHT-HOLLY GEN - LUBBOCK POWER & LIGHT-NORTHEAST 69KV CKT 1
20SP	00NR		3 TO->FROM	G15_032_115	LUBBOCK POWER & LIGHT-CO-OP - LUBBOCK POWER & LIGHT-WADSWORTH 69KV CKT 1	108	0.00976	113.637	BASE CASE
20SP	00NR		3 TO->FROM	G15_032_115	LUBBOCK POWER & LIGHT-CO-OP - LUBBOCK POWER & LIGHT-WADSWORTH 69KV CKT 1	143	0.01177	113.3783	LUBBOCK POWER & LIGHT-SLATON - LUBBOCK POWER & LIGHT-SOUTHEAST 69KV CKT 1
25SP	00NR		3 TO->FROM	G15_032_115	LUBBOCK POWER & LIGHT-CO-OP - LUBBOCK POWER & LIGHT-WADSWORTH 69KV CKT 1	141.2	0.0091	111.0694	CARLISLE INTERCHANGE - LUBBOCK POWER & LIGHT-MILWAUKEE 230KV CKT 1
25SP	00NR		3 TO->FROM	G15_032_115	LUBBOCK POWER & LIGHT-CO-OP - LUBBOCK POWER & LIGHT-WADSWORTH 69KV CKT 1	141.2	0.0091	110.9986	LUBBOCK POWER & LIGHT-MILWAUKEE (M-E C0681251) 230/69/13.5KV TRANSFORMER CKT 1
25SP	00NR		3 TO->FROM	G15_032_115	LUBBOCK POWER & LIGHT-CO-OP - LUBBOCK POWER & LIGHT-WADSWORTH 69KV CKT 1	141.2	0.0091	110.9986	SPP-SWPS-K39
15SP	00NR		3 TO->FROM	G15_032_115	LUBBOCK POWER & LIGHT-CO-OP - LUBBOCK POWER & LIGHT-WADSWORTH 69KV CKT 1	108	0.01058	109.6982	BASE CASE
25SP	00NR		3 TO->FROM	G15_032_115	LUBBOCK POWER & LIGHT-CO-OP - LUBBOCK POWER & LIGHT-WADSWORTH 69KV CKT 1	141.2	0.00736	108.7875	LUBBOCK POWER & LIGHT-OLIVER - LUBBOCK POWER & LIGHT-SOUTHEAST 69KV CKT 1
15SP	00NR		3 TO->FROM	G15_032_115	LUBBOCK POWER & LIGHT-CO-OP - LUBBOCK POWER & LIGHT-WADSWORTH 69KV CKT 1	143	0.01213	104.5727	LUBBOCK POWER & LIGHT-SLATON - LUBBOCK POWER & LIGHT-SOUTHEAST 69KV CKT 1
25SP	00NR		3 TO->FROM	G15_032_115	LUBBOCK POWER & LIGHT-CO-OP - LUBBOCK POWER & LIGHT-WADSWORTH 69KV CKT 1	141.2	0.00889	103.4469	LUBBOCK POWER & LIGHT-MACKENZIE GEN - LUBBOCK POWER & LIGHT-NORTHEAST 69KV CKT 1
20SP	00NR		3 TO->FROM	G15_032_115	LUBBOCK POWER & LIGHT-CO-OP - LUBBOCK POWER & LIGHT-WADSWORTH 69KV CKT 1	143	0.01209	103.3755	LUBBOCK POWER & LIGHT-HOLLY GEN - LUBBOCK POWER & LIGHT-NORTHEAST 69KV CKT 1
20SP	00NR		3 TO->FROM	G15_032_115	LUBBOCK POWER & LIGHT-CO-OP - LUBBOCK POWER & LIGHT-WADSWORTH 69KV CKT 1	143	0.01347	103.3154	LUBBOCK POWER & LIGHT-SOUTHEAST - LUBBOCK SOUTH INTERCHANGE 230KV CKT 1
25SP	00NR		3 TO->FROM	G15_032_115	LUBBOCK POWER & LIGHT-CO-OP - LUBBOCK POWER & LIGHT-WADSWORTH 69KV CKT 1	141.2	0.00796	102.8244	LUBBOCK POWER & LIGHT-SOUTHEAST (ABB 60258) 230/69/13.5KV TRANSFORMER CKT 1
25SP	00NR		3 TO->FROM	G15_032_115	LUBBOCK POWER & LIGHT-CO-OP - LUBBOCK POWER & LIGHT-WADSWORTH 69KV CKT 1	141.2	0.00791	102.318	LUBBOCK POWER & LIGHT-SOUTHEAST (FRM WADSWRTH) 230/69/13.5KV TRANSFORMER CKT 2
25SP	00NR		3 TO->FROM	G15_032_115	LUBBOCK POWER & LIGHT-CO-OP - LUBBOCK POWER & LIGHT-WADSWORTH 69KV CKT 1	141.2	0.00743	101.5786	LUBBOCK POWER & LIGHT-CHALKER - LUBBOCK POWER & LIGHT-THOMPSON 69KV CKT 1
25SP	00NR		3 TO->FROM	G15_032_115	LUBBOCK POWER & LIGHT-CO-OP - LUBBOCK POWER & LIGHT-WADSWORTH 69KV CKT 1	141.2	0.00652	100.8895	LUBBOCK POWER & LIGHT-HOLLY GEN - LUBBOCK POWER & LIGHT-SOUTHEAST 69KV CKT 1
25SP	00NR		3 TO->FROM	G15_032_115	LUBBOCK POWER & LIGHT-CO-OP - LUBBOCK POWER & LIGHT-WADSWORTH 69KV CKT 1	141.2	0.00736	100.5722	LUBBOCK POWER & LIGHT-CHALKER - LUBBOCK POWER & LIGHT-OLIVER 69KV CKT 1
25SP	00NR		3 TO->FROM	G15_032_115	LUBBOCK POWER & LIGHT-SLATON - LUBBOCK POWER & LIGHT-SOUTHEAST 69KV CKT 1	143	0.00729	121.1797	LUBBOCK POWER & LIGHT-CO-OP - LUBBOCK POWER & LIGHT-WADSWORTH 69KV CKT 1
20SP	00NR		3 TO->FROM	G15_032_115	LUBBOCK POWER & LIGHT-SLATON - LUBBOCK POWER & LIGHT-SOUTHEAST 69KV CKT 1	142.8	0.00986	110.8249	LUBBOCK POWER & LIGHT-CO-OP - LUBBOCK POWER & LIGHT-WADSWORTH 69KV CKT 1
20SP	00NR		3 TO->FROM	G15_032_115	LUBBOCK POWER & LIGHT-SLATON - LUBBOCK POWER & LIGHT-SOUTHEAST 69KV CKT 1	142.8	0.00592	109.0168	LUBBOCK POWER & LIGHT-OLIVER - LUBBOCK POWER & LIGHT-SOUTHEAST 69KV CKT 1
20SP	06ALL		3 TO->FROM	G15_032_115	NORGE ROAD - SOUTHWESTERN STATION 138KV CKT 1	135.7	0.01108	110.7428	SOUTHWESTERN STATION - VERDEN 138KV CKT 1
20SP	06ALL		3 TO->FROM	G15_032_115	NORGE ROAD - SOUTHWESTERN STATION 138KV CKT 1	135.7	0.01108	109.269	NORTH 29TH CHICKASHA - VERDEN 138KV CKT 1
20SP	06ALL		3 TO->FROM	G15_032_115	NORGE ROAD - SOUTHWESTERN STATION 138KV CKT 1	135.7	0.01577	106.3581	CIMARRON - MINCO 345KV CKT 1
20SP	06ALL		3 TO->FROM	G15_032_115	NORGE ROAD - SOUTHWESTERN STATION 138KV CKT 1	135.7	0.01108	106.1739	CORNVILLE - NORTH 29TH CHICKASHA 138KV CKT 1
20SP	06ALL		3 TO->FROM	G15_032_115	NORGE ROAD - SOUTHWESTERN STATION 138KV CKT 1	135.7	0.01027	104.1164	ANADARKO - CORN TAP 138KV CKT 1
20SP	06ALL		3 TO->FROM	G15_032_115	NORGE ROAD - SOUTHWESTERN STATION 138KV CKT 1	135.7	0.01577	102.8209	GRACEMONT - MINCO 345KV CKT 1
25SP	06ALL		3 TO->FROM	G15_032_115	NORGE ROAD - SOUTHWESTERN STATION 138KV CKT 1	135.8	0.01063	100.0839	SOUTHWESTERN STATION - VERDEN 138KV CKT 1
15SP	06ALL		3 FROM->TO	G15_032_115	PRINGLE INTERCHANGE - SPEARMAN INTERCHANGE 115KV CKT 1	159.7	0.04089	105.1108	PRINGLE INTERCHANGE - SPEARMAN INTERCHANGE 115KV CKT 2

SEASON	GROUP	SCENARIO	DIRECTION	SOURCE	MONITORED ELEMENT	RATE (MVA)	TDF	CONTINGENCY LOADING %	CONTINGENCY
15G	06ALL	3	FROM->TO	G15_032_115	PRINGLE INTERCHANGE - SPEARMAN INTERCHANGE 115KV CKT 1	158.4	0.0396	103.8321	PRINGLE INTERCHANGE - SPEARMAN INTERCHANGE 115KV CKT 2
15G	06ALL	3	FROM->TO	G15_032_115	SHAMROCK (SHAMRCK1) 115/69/14.4KV TRANSFORMER CKT 1	66	0.01495	106.3606	CHISHOLM6 230.00 - SWEETWATER 230KV CKT 1
15G	06ALL	3	FROM->TO	G15_032_115	SHAMROCK (SHAMRCK1) 115/69/14.4KV TRANSFORMER CKT 1	66	0.01345	105.8545	HWRDWCK2 69.000 - JERICO 69KV CKT 1
15G	06ALL	3	FROM->TO	G15_032_115	SHAMROCK (SHAMRCK1) 115/69/14.4KV TRANSFORMER CKT 1	66	0.01345	105.8545	JERICO - KIRBY SWITCHING STATION 115KV CKT 1
15G	06ALL	3	FROM->TO	G15_032_115	SHAMROCK (SHAMRCK1) 115/69/14.4KV TRANSFORMER CKT 1	66	0.01345	105.8545	JERICO (JERIC2WT) 115/69/14.4KV TRANSFORMER CKT 1
15G	06ALL	3	FROM->TO	G15_032_115	SHAMROCK (SHAMRCK1) 115/69/14.4KV TRANSFORMER CKT 1	66	0.01345	105.97	CLARENDON - HWRDWCK2 69.000 69KV CKT 1
15G	06ALL	3	FROM->TO	G15_032_115	SHAMROCK (SHAMRCK1) 115/69/14.4KV TRANSFORMER CKT 1	66	0.01412	104.7818	G14-074T 345.00 - OKLAUNION 345KV CKT 1
15G	06ALL	3	FROM->TO	G15_032_115	SHAMROCK (SHAMRCK1) 115/69/14.4KV TRANSFORMER CKT 1	67.1	0.01495	104.766	CHISHOLM6 230.00 - SWEETWATER 230KV CKT 1
15G	06ALL	3	FROM->TO	G15_032_115	SHAMROCK (SHAMRCK1) 115/69/14.4KV TRANSFORMER CKT 1	67.1	0.01345	104.2683	HWRDWCK2 69.000 - JERICO 69KV CKT 1
15G	06ALL	3	FROM->TO	G15_032_115	SHAMROCK (SHAMRCK1) 115/69/14.4KV TRANSFORMER CKT 1	67.1	0.01345	104.2683	JERICO - KIRBY SWITCHING STATION 115KV CKT 1
15G	06ALL	3	FROM->TO	G15_032_115	SHAMROCK (SHAMRCK1) 115/69/14.4KV TRANSFORMER CKT 1	67.1	0.01345	104.2683	JERICO (JERIC2WT) 115/69/14.4KV TRANSFORMER CKT 1
15G	06ALL	3	FROM->TO	G15_032_115	SHAMROCK (SHAMRCK1) 115/69/14.4KV TRANSFORMER CKT 1	66	0.01495	104.0879	GRAPEVINE INTERCHANGE - STATELINE INTERCHANGE 230KV CKT 1
15G	06ALL	3	FROM->TO	G15_032_115	SHAMROCK (SHAMRCK1) 115/69/14.4KV TRANSFORMER CKT 1	67.1	0.01345	103.5231	CLARENDON - HWRDWCK2 69.000 69KV CKT 1
15G	06ALL	3	FROM->TO	G15_032_115	SHAMROCK (SHAMRCK1) 115/69/14.4KV TRANSFORMER CKT 1	66	0.01344	103.4849	CHISHOLM6 230.00 - ELK CITY 230KV 230KV CKT 1
15G	06ALL	3	FROM->TO	G15_032_115	SHAMROCK (SHAMRCK1) 115/69/14.4KV TRANSFORMER CKT 1	66	0.01344	103.4849	ELK CITY 230KV (ELKCTY-6) 230/138/13.8KV TRANSFORMER CKT 1
15G	06ALL	3	FROM->TO	G15_032_115	SHAMROCK (SHAMRCK1) 115/69/14.4KV TRANSFORMER CKT 1	66	0.01381	103.3667	CHISHOLM7 345.00 - GRACEMONT 345KV CKT 1
15G	06ALL	3	FROM->TO	G15_032_115	SHAMROCK (SHAMRCK1) 115/69/14.4KV TRANSFORMER CKT 1	67.1	0.01412	103.2131	G14-074T 345.00 - OKLAUNION 345KV CKT 1
15G	06ALL	3	FROM->TO	G15_032_115	SHAMROCK (SHAMRCK1) 115/69/14.4KV TRANSFORMER CKT 1	67.1	0.01495	102.5306	GRAPEVINE INTERCHANGE - STATELINE INTERCHANGE 230KV CKT 1
15G	06ALL	3	FROM->TO	G15_032_115	SHAMROCK (SHAMRCK1) 115/69/14.4KV TRANSFORMER CKT 1	66	0.01345	102.0667	CLARENDON - CLARENDON REC 69KV CKT 1
15G	06ALL	3	FROM->TO	G15_032_115	SHAMROCK (SHAMRCK1) 115/69/14.4KV TRANSFORMER CKT 1	67.1	0.01344	101.9374	CHISHOLM6 230.00 - ELK CITY 230KV 230KV CKT 1
15G	06ALL	3	FROM->TO	G15_032_115	SHAMROCK (SHAMRCK1) 115/69/14.4KV TRANSFORMER CKT 1	67.1	0.01344	101.9374	ELK CITY 230KV (ELKCTY-6) 230/138/13.8KV TRANSFORMER CKT 1
15G	06ALL	3	FROM->TO	G15_032_115	SHAMROCK (SHAMRCK1) 115/69/14.4KV TRANSFORMER CKT 1	67.1	0.01381	101.8212	CHISHOLM7 345.00 - GRACEMONT 345KV CKT 1
15G	06ALL	3	FROM->TO	G15_032_115	SHAMROCK (SHAMRCK1) 115/69/14.4KV TRANSFORMER CKT 1	66	0.01412	101.297	G14-074T 345.00 - TUCO INTERCHANGE 345KV CKT 1
15G	06ALL	3	FROM->TO	G15_032_115	SHAMROCK (SHAMRCK1) 115/69/14.4KV TRANSFORMER CKT 1	66	0.01345	100.703	CLARENDON REC - HEDLEY 69KV CKT 1
15G	06ALL	3	FROM->TO	G15_032_115	SHAMROCK (SHAMRCK1) 115/69/14.4KV TRANSFORMER CKT 1	66	0.01329	100.5849	DBL-G1114-WWRD
15G	06ALL	3	FROM->TO	G15_032_115	SHAMROCK (SHAMRCK1) 115/69/14.4KV TRANSFORMER CKT 1	67.1	0.01345	100.5425	CLARENDON - CLARENDON REC 69KV CKT 1
15G	06ALL	3	FROM->TO	G15_032_115	SHAMROCK (SHAMRCK1) 115/69/14.4KV TRANSFORMER CKT 1	66	0.01495	100.3	SPP-SWPS-02
15G	06ALL	3	FROM->TO	G15_032_115	SHAMROCK (SHAMRCK1) 115/69/14.4KV TRANSFORMER CKT 1	66	0.01495	100.3	STATELINE INTERCHANGE - STLN-DEMARC6 230KV CKT 1
15G	06ALL	3	FROM->TO	G15_032_115	SHAMROCK (SHAMRCK1) 115/69/14.4KV TRANSFORMER CKT 1	66	0.01495	100.3	STLN-DEMARC6 - SWEETWATER 230KV CKT 1
15SP	06ALL	3	FROM->TO	G15_032_115	SHAMROCK (SHAMRCK1) 115/69/14.4KV TRANSFORMER CKT 1	67.2	0.0133	100.2946	HWRDWCK2 69.000 - JERICO 69KV CKT 1
15SP	06ALL	3	FROM->TO	G15_032_115	SHAMROCK (SHAMRCK1) 115/69/14.4KV TRANSFORMER CKT 1	67.2	0.0133	100.2946	JERICO - KIRBY SWITCHING STATION 115KV CKT 1
15SP	06ALL	3	FROM->TO	G15_032_115	SHAMROCK (SHAMRCK1) 115/69/14.4KV TRANSFORMER CKT 1	67.2	0.0133	100.2946	JERICO (JERIC2WT) 115/69/14.4KV TRANSFORMER CKT 1
20WP	06ALL	3	TO->FROM	G15_032_115	SUNSHINE CANYON - TUTTLE 138KV CKT 1	140.9	0.02057	108.907	CIMARRON - MINCO 345KV CKT 1
20SP	06ALL	3	TO->FROM	G15_032_115	SUNSHINE CANYON - TUTTLE 138KV CKT 1	141.6	0.02158	104.6299	CIMARRON - MINCO 345KV CKT 1
20WP	06ALL	3	TO->FROM	G15_032_115	SUNSHINE CANYON - TUTTLE 138KV CKT 1	140.9	0.02057	104.2228	GRACEMONT - MINCO 345KV CKT 1
15SP	06ALL	3	TO->FROM	G15_032_115	SUNSHINE CANYON - TUTTLE 138KV CKT 1	141.6	0.02293	104.0014	CIMARRON - MINCO 345KV CKT 1
15SP	06ALL	3	FROM->TO	G15_032_115	THOMAS TAP - WEATHERFORD 69KV CKT 1	39	0.00797	114.2821	CLINTON JUNCTION - CLINTON NATURAL GAS TAP 138KV CKT 1
15G	06ALL	3	FROM->TO	G15_032_115	TUCO INTERCHANGE (GE M1022338) 345/230/13.2KV TRANSFORMER CKT 1	555.3	0.15166	101.5948	TUCO INTERCHANGE (SIEM 8743066) 345/230/13.2KV TRANSFORMER CKT 2
15G	06ALL	3	FROM->TO	G15_032_115	TUCO INTERCHANGE (GE M1022338) 345/230/13.2KV TRANSFORMER CKT 1	557.5	0.15166	101.1222	TUCO INTERCHANGE (SIEM 8743066) 345/230/13.2KV TRANSFORMER CKT 2
20WP	06ALL	3	TO->FROM	G15_032_115	TUCO_2 345.00 (TUCO_2 XFMR) 345/230/13.2KV TRANSFORMER CKT 1	559.6	0.15568	110.6619	TUCO INTERCHANGE - TUCO_2 345.00 345KV CKT 1
20WP	06ALL	3	TO->FROM	G15_032_115	TUCO_2 345.00 (TUCO_2 XFMR) 345/230/13.2KV TRANSFORMER CKT 1	559.9	0.15568	110.549	TUCO INTERCHANGE - TUCO_2 345.00 345KV CKT 1
15G	06ALL	3	FROM->TO	G15_032_115	WICHITA (WICH TX-12) 345/138/13.8KV TRANSFORMER CKT 1	413.2	0.01247	106.6651	WICHITA (WICH TX-11) 345/138/13.8KV TRANSFORMER CKT 1
15G	06ALL	3	FROM->TO	G15_032_115	WICHITA (WICH TX-12) 345/138/13.8KV TRANSFORMER CKT 1	419.7	0.01247	104.894	WICHITA (WICH TX-11) 345/138/13.8KV TRANSFORMER CKT 1
15WP	06ALL	3	FROM->TO	G15_032_115	WICHITA (WICH TX-12) 345/138/13.8KV TRANSFORMER CKT 1	414.2	0.01214	102.4003	WICHITA (WICH TX-11) 345/138/13.8KV TRANSFORMER CKT 1
15WP	06ALL	3	FROM->TO	G15_032_115	WICHITA (WICH TX-12) 345/138/13.8KV TRANSFORMER CKT 1	420.2	0.01214	100.8191	WICHITA (WICH TX-11) 345/138/13.8KV TRANSFORMER CKT 1
25SP	00NR	3	FROM->TO	G15_032_115	WOLFFORTH INTERCHANGE (WH 7001668) 230/115/13.2KV TRANSFORMER CKT 1	140.4	0.01936	100.6467	CARLISLE INTERCHANGE - LP-DOUD TP 3115.00 115KV CKT 1
15G	06ALL	3	FROM->TO	G15_032_115	WOODWARD (WOODWRD2) 138/69/13.2KV TRANSFORMER CKT 1	133.3	0.01074	100.054	FPL SWITCH - MOORELAND 138KV CKT 1
20SP	06ALL	4	FROM->TO	G15_032_115	ANADARKO - CORN TAP 138KV CKT 1	142.8	0.01468	100.1835	CIMARRON - MINCO 345KV CKT 1
15G	06ALL	4	TO->FROM	G15_032_115	ANADARKO - GRACMNT4 138.00 138KV CKT 1	225.1	0.05298	127.5247	CIMARRON - MINCO 345KV CKT 1
15G	06ALL	4	TO->FROM	G15_032_115	ANADARKO - GRACMNT4 138.00 138KV CKT 1	225.1	0.05298	119.3505	GRACEMONT - MINCO 345KV CKT 1
15G	06ALL	4	TO->FROM	G15_032_115	ANADARKO - GRACMNT4 138.00 138KV CKT 1	225.1	0.03019	106.932	SOUTHWESTERN STATION - WASHITA 138KV CKT 1
15SP	06ALL	4	FROM->TO	G15_032_115	BENTLEY4 138.00 - HALSTED SOUTH BUS 138KV CKT 1	142.2	0.00688	108.2644	RENO COUNTY - WICHITA 345KV CKT 1
20WP	06ALL	4	FROM->TO	G15_032_115	CLEARWATER - GILL ENERGY CENTER WEST 138KV CKT 1	142.9	0.01158	119.4836	GILL ENERGY CENTER SOUTH - VIOLA 4 138.00 138KV CKT 1
20SP	06ALL	4	FROM->TO	G15_032_115	CLEARWATER - GILL ENERGY CENTER WEST 138KV CKT 1	142.2	0.01392	102.4233	GILL ENERGY CENTER SOUTH - VIOLA 4 138.00 138KV CKT 1
15SP	06ALL	4	TO->FROM	G15_032_115	CLINTON CITY - FOSS TAP 69KV CKT 1	74.5	0.00797	103.4497	CLINTON JUNCTION - CLINTON NATURAL GAS TAP 138KV CKT 1
15SP	06ALL	4	FROM->TO	G15_032_115	CLINTON CITY - THOMAS TAP 69KV CKT 1	38.9	0.00797	125.6298	CLINTON JUNCTION - CLINTON NATURAL GAS TAP 138KV CKT 1
20SP	06ALL	4	FROM->TO	G15_032_115	CLINTON CITY - THOMAS TAP 69KV CKT 1	39	0.0076	102.959	CLINTON JUNCTION - CLINTON NATURAL GAS TAP 138KV CKT 1
15G	06ALL	4	FROM->TO	G15_032_115	CLINTON CITY - THOMAS TAP 69KV CKT 1	47.9	0.00775	101.1232	CLINTON JUNCTION - CLINTON NATURAL GAS TAP 138KV CKT 1
15SP	06ALL	4	TO->FROM	G15_032_115	CLINTON JUNCTION - ELK CITY 138KV CKT 1	148.8	0.04316	140.7016	CHISHOLM7 345.00 - GRACEMONT 345KV CKT 1
15G	06ALL	4	TO->FROM	G15_032_115	CLINTON JUNCTION - ELK CITY 138KV CKT 1	185.1	0.04168	124.0918	CHISHOLM7 345.00 - GRACEMONT 345KV CKT 1
15SP	06ALL	4	TO->FROM	G15_032_115	CLINTON JUNCTION - ELK CITY 138KV CKT 1	148.8	0.0362	122.8038	G14-074T 345.00 - OKLAUNION 345KV CKT 1
15SP	06ALL	4	TO->FROM	G15_032_115	CLINTON JUNCTION - ELK CITY 138KV CKT 1	148.8	0.02231	120.3804	ONEY - WASHITA 138KV CKT 1
15SP	06ALL	4	TO->FROM	G15_032_115	CLINTON JUNCTION - ELK CITY 138KV CKT 1	148.8	0.0362	118.7715	G14-074T 345.00 - TUCO INTERCHANGE 345KV CKT 1
15SP	06ALL	4	TO->FROM	G15_032_115	CLINTON JUNCTION - ELK CITY 138KV CKT 1	148.8	0.03312	118.2352	NORTHWEST - TATONGA7 345.00 345KV CKT 1

SEASON	GROUP	SCENARIO	DIRECTION	SOURCE	MONITORED ELEMENT	RATE (MVA)	TDF	CONTINGENCY	
								LOADING %	CONTINGENCY
15SP	06ALL	4	TO->FROM	G15_032_115	CLINTON JUNCTION - ELK CITY 138KV CKT 1	148.8	0.02231	117.8266	BINGER NIJECT - ONEY 138KV CKT 1
15SP	06ALL	4	TO->FROM	G15_032_115	CLINTON JUNCTION - ELK CITY 138KV CKT 1	148.8	0.03312	117.7648	SPSCont-05b
15SP	06ALL	4	TO->FROM	G15_032_115	CLINTON JUNCTION - ELK CITY 138KV CKT 1	148.8	0.03312	117.2943	SPSCont-04
15SP	06ALL	4	TO->FROM	G15_032_115	CLINTON JUNCTION - ELK CITY 138KV CKT 1	148.8	0.03364	117.1129	DBL-THIS-WWRD
15SP	06ALL	4	TO->FROM	G15_032_115	CLINTON JUNCTION - ELK CITY 138KV CKT 1	132.4	0.02915	116.2206	BASE CASE
15SP	06ALL	4	TO->FROM	G15_032_115	CLINTON JUNCTION - ELK CITY 138KV CKT 1	148.8	0.03308	115.6653	CLINTON AIR FORCE BASE TAP - ELK CITY 138KV CKT 1
15SP	06ALL	4	TO->FROM	G15_032_115	CLINTON JUNCTION - ELK CITY 138KV CKT 1	148.8	0.03578	115.3992	CHISHOLM7 345.00 - WOODWARD DISTRICT EHV 345KV CKT 1
15SP	06ALL	4	TO->FROM	G15_032_115	CLINTON JUNCTION - ELK CITY 138KV CKT 1	148.8	0.03308	114.7917	CLINTON AIR FORCE BASE TAP - HOBART JUNCTION 138KV CKT 1
15SP	06ALL	4	TO->FROM	G15_032_115	CLINTON JUNCTION - ELK CITY 138KV CKT 1	148.8	0.03312	113.6653	G11_051T 345.00 - TATONGA7 345.00 345KV CKT 1
15SP	06ALL	4	TO->FROM	G15_032_115	CLINTON JUNCTION - ELK CITY 138KV CKT 1	148.8	0.02231	113.66	BINGER NIJECT - SICKLES 138KV CKT 1
15SP	06ALL	4	TO->FROM	G15_032_115	CLINTON JUNCTION - ELK CITY 138KV CKT 1	148.8	0.02231	112.9879	CLINTON JUNCTION - G07-32T 138.00 138KV CKT 1
15SP	06ALL	4	TO->FROM	G15_032_115	CLINTON JUNCTION - ELK CITY 138KV CKT 1	148.8	0.02915	112.9543	G07-32 138.00 - G07-32T 138.00 138KV CKT 1
15SP	06ALL	4	TO->FROM	G15_032_115	CLINTON JUNCTION - ELK CITY 138KV CKT 1	148.8	0.02915	112.9543	G07-32 138.00 138/34.5KV TRANSFORMER CKT 1
15SP	06ALL	4	TO->FROM	G15_032_115	CLINTON JUNCTION - ELK CITY 138KV CKT 1	148.8	0.02915	112.9543	G07-32 34.500 34.5/12.0KV TRANSFORMER CKT 1
15SP	06ALL	4	TO->FROM	G15_032_115	CLINTON JUNCTION - ELK CITY 138KV CKT 1	148.8	0.02915	111.6102	WASHITA - WEATHERFORD WIND FARM 34 KV 34.5KV CKT 1
15WP	06ALL	4	TO->FROM	G15_032_115	CLINTON JUNCTION - ELK CITY 138KV CKT 1	186.8	0.04409	111.257	CHISHOLM7 345.00 - GRACEMONT 345KV CKT 1
20SP	06ALL	4	TO->FROM	G15_032_115	CLINTON JUNCTION - ELK CITY 138KV CKT 1	151.1	0.04279	109.5658	CHISHOLM7 345.00 - GRACEMONT 345KV CKT 1
20SP	06ALL	4	TO->FROM	G15_032_115	CLINTON JUNCTION - ELK CITY 138KV CKT 1	151.1	0.02218	106.5215	ONEY - WASHITA 138KV CKT 1
15G	06ALL	4	TO->FROM	G15_032_115	CLINTON JUNCTION - ELK CITY 138KV CKT 1	185.1	0.03487	105.7482	G14-074T 345.00 - OKLAUNION 345KV CKT 1
20SP	06ALL	4	TO->FROM	G15_032_115	CLINTON JUNCTION - ELK CITY 138KV CKT 1	151.1	0.02218	103.9404	BINGER NIJECT - ONEY 138KV CKT 1
20WP	06ALL	4	TO->FROM	G15_032_115	CLINTON JUNCTION - ELK CITY 138KV CKT 1	187.5	0.04221	102.8299	CHISHOLM7 345.00 - GRACEMONT 345KV CKT 1
15G	06ALL	4	TO->FROM	G15_032_115	CLINTON JUNCTION - ELK CITY 138KV CKT 1	185.1	0.03487	102.6688	G14-074T 345.00 - TUCO INTERCHANGE 345KV CKT 1
15G	06ALL	4	TO->FROM	G15_032_115	CLINTON JUNCTION - ELK CITY 138KV CKT 1	185.1	0.032	102.4171	NORTHWEST - TATONGA7 345.00 345KV CKT 1
15G	06ALL	4	TO->FROM	G15_032_115	CLINTON JUNCTION - ELK CITY 138KV CKT 1	185.1	0.032	102.0389	SPSCont-05b
15G	06ALL	4	TO->FROM	G15_032_115	CLINTON JUNCTION - ELK CITY 138KV CKT 1	185.1	0.032	101.7147	SPSCont-04
15G	06ALL	4	TO->FROM	G15_032_115	CLINTON JUNCTION - ELK CITY 138KV CKT 1	185.1	0.0318	101.5991	CLINTON AIR FORCE BASE TAP - ELK CITY 138KV CKT 1
15G	06ALL	4	TO->FROM	G15_032_115	CLINTON JUNCTION - ELK CITY 138KV CKT 1	185.1	0.0318	100.9508	CLINTON AIR FORCE BASE TAP - HOBART JUNCTION 138KV CKT 1
15G	06ALL	4	TO->FROM	G15_032_115	CLINTON JUNCTION - ELK CITY 138KV CKT 1	185.1	0.03459	100.2798	CHISHOLM7 345.00 - WOODWARD DISTRICT EHV 345KV CKT 1
15G	06ALL	4	TO->FROM	G15_032_115	CLINTON JUNCTION - ELK CITY 138KV CKT 1	185.1	0.03239	100.0648	DBL-THIS-WWRD
15SP	06ALL	4	FROM->TO	G15_032_115	CORN TAP - FOSS TAP 69KV CKT 1	74.7	0.00797	104.3775	CLINTON JUNCTION - CLINTON NATURAL GAS TAP 138KV CKT 1
15SP	06ALL	4	TO->FROM	G15_032_115	COMANCHE TAP - TOSCO 69KV CKT 1	39	0.00556	103.8051	G14-057T 345.00 - SUNNYSIDE 345KV CKT 1
15SP	06ALL	4	TO->FROM	G15_032_115	COMANCHE TAP - TOSCO 69KV CKT 1	39	0.00556	100.9846	G14-057T 345.00 - LAWTON EASTSIDE 345KV CKT 1
20WP	06ALL	4	FROM->TO	G15_032_115	CORN TAP - PAYNE 138.00 138KV CKT 1	141.6	0.01769	111.0862	G14-057T 345.00 - SUNNYSIDE 345KV CKT 1
20WP	06ALL	4	FROM->TO	G15_032_115	CORN TAP - PAYNE 138.00 138KV CKT 1	141.6	0.01769	109.3206	G14-057T 345.00 - LAWTON EASTSIDE 345KV CKT 1
15WP	06ALL	4	FROM->TO	G15_032_115	CORN TAP - PAYNE 138.00 138KV CKT 1	141.4	0.01837	109.0523	G14-057T 345.00 - SUNNYSIDE 345KV CKT 1
20WP	06ALL	4	FROM->TO	G15_032_115	CORN TAP - PAYNE 138.00 138KV CKT 1	141.6	0.018	107.4703	CIMARRON - MINCO 345KV CKT 1
15WP	06ALL	4	FROM->TO	G15_032_115	CORN TAP - PAYNE 138.00 138KV CKT 1	141.4	0.01837	107.2843	G14-057T 345.00 - LAWTON EASTSIDE 345KV CKT 1
20WP	06ALL	4	FROM->TO	G15_032_115	CORN TAP - PAYNE 138.00 138KV CKT 1	141.6	0.01409	105.7217	ANADARKO - BLANCHARD 138KV CKT 1
20WP	06ALL	4	FROM->TO	G15_032_115	CORN TAP - PAYNE 138.00 138KV CKT 1	141.6	0.018	104.363	GRACEMONT - MINCO 345KV CKT 1
20WP	06ALL	4	FROM->TO	G15_032_115	CORN TAP - PAYNE 138.00 138KV CKT 1	141.6	0.01409	103.815	BLANCHARD - OUSW4 138KV CKT 1
15WP	06ALL	4	FROM->TO	G15_032_115	CORN TAP - PAYNE 138.00 138KV CKT 1	141.4	0.0188	101.9505	CIMARRON - MINCO 345KV CKT 1
15WP	06ALL	4	FROM->TO	G15_032_115	CORN TAP - PAYNE 138.00 138KV CKT 1	141.4	0.01469	100.6096	ANADARKO - BLANCHARD 138KV CKT 1
15SP	06ALL	4	FROM->TO	G15_032_115	DUNCAN - TOSCO 69KV CKT 1	38.9	0.00556	108.1851	G14-057T 345.00 - SUNNYSIDE 345KV CKT 1
15SP	06ALL	4	FROM->TO	G15_032_115	DUNCAN - TOSCO 69KV CKT 1	38.9	0.00556	105.3573	G14-057T 345.00 - LAWTON EASTSIDE 345KV CKT 1
15WP	06ALL	4	FROM->TO	G15_032_115	DUNCAN - TOSCO 69KV CKT 1	47.8	0.00576	100.8326	G14-057T 345.00 - SUNNYSIDE 345KV CKT 1
20WP	06ALL	4	FROM->TO	G15_032_115	DUNCAN - TOSCO 69KV CKT 1	47.9	0.0054	100.5887	G14-057T 345.00 - SUNNYSIDE 345KV CKT 1
15SP	06ALL	4	TO->FROM	G15_032_115	EARLSBORO 4138.00 - MAUD 138KV CKT 1	97.7	0.00717	106.0594	MAUD (MAUD1) 138/69/13.2KV TRANSFORMER CKT 1
15SP	06ALL	4	TO->FROM	G15_032_115	EARLSBORO 4138.00 - MAUD 138KV CKT 1	97.7	0.00697	100.9212	CANADIAN RIVER - MCALESTER SOUTH 138KV CKT 1
15SP	06ALL	4	TO->FROM	G15_032_115	EARLSBORO 4138.00 - MAUD 138KV CKT 1	97.7	0.00688	100.9212	SPP-SWPS-T54
25SP	06ALL	4	FROM->TO	G15_032_115	EDDY_NORTH 6230.00 (WAUK WT01134) 230/115/13.2KV TRANSFORMER CKT 2	285	0.00791	104.6751	EDDY COUNTY INTERCHANGE - EDDY_NORTH 6230.00 230KV CKT @1
25SP	06ALL	4	FROM->TO	G15_032_115	EDDY_NORTH 6230.00 (WAUK WT01134) 230/115/13.2KV TRANSFORMER CKT 2	286.3	0.00791	104.095	EDDY COUNTY INTERCHANGE - EDDY_NORTH 6230.00 230KV CKT @1
15G	06ALL	4	FROM->TO	G15_032_115	ELDORADO - ELDORADO JCT 69KV CKT 1	26.9	0.00912	102.0892	LAKE PAULINE - RUSSELL 138KV CKT 1
15SP	06ALL	4	FROM->TO	G15_032_115	ELK CITY 230KV (ELKCTY-6) 230/138/13.8KV TRANSFORMER CKT 1	446.4	0.10242	117.1214	CHISHOLM7 345.00 - GRACEMONT 345KV CKT 1
15G	06ALL	4	FROM->TO	G15_032_115	ELK CITY 230KV (ELKCTY-6) 230/138/13.8KV TRANSFORMER CKT 1	446.9	0.09667	117.1005	CHISHOLM7 345.00 - GRACEMONT 345KV CKT 1
15G	06ALL	4	FROM->TO	G15_032_115	ELK CITY 230KV (ELKCTY-6) 230/138/13.8KV TRANSFORMER CKT 1	449.3	0.09667	116.564	CHISHOLM7 345.00 - GRACEMONT 345KV CKT 1
15SP	06ALL	4	FROM->TO	G15_032_115	ELK CITY 230KV (ELKCTY-6) 230/138/13.8KV TRANSFORMER CKT 1	449.3	0.10242	116.4768	CHISHOLM7 345.00 - GRACEMONT 345KV CKT 1
15WP	06ALL	4	FROM->TO	G15_032_115	ELK CITY 230KV (ELKCTY-6) 230/138/13.8KV TRANSFORMER CKT 1	447.2	0.10524	112.5496	CHISHOLM7 345.00 - GRACEMONT 345KV CKT 1
15WP	06ALL	4	FROM->TO	G15_032_115	ELK CITY 230KV (ELKCTY-6) 230/138/13.8KV TRANSFORMER CKT 1	449.3	0.10524	112.1126	CHISHOLM7 345.00 - GRACEMONT 345KV CKT 1
20WP	06ALL	4	FROM->TO	G15_032_115	ELK CITY 230KV (ELKCTY-6) 230/138/13.8KV TRANSFORMER CKT 1	448.3	0.1011	106.8579	CHISHOLM7 345.00 - GRACEMONT 345KV CKT 1
20WP	06ALL	4	FROM->TO	G15_032_115	ELK CITY 230KV (ELKCTY-6) 230/138/13.8KV TRANSFORMER CKT 1	449.7	0.1011	106.6142	CHISHOLM7 345.00 - GRACEMONT 345KV CKT 1
15SP	06ALL	4	FROM->TO	G15_032_115	ELK CITY 230KV (ELKCTY-6) 230/138/13.8KV TRANSFORMER CKT 1	446.4	0.08656	103.5995	G14-074T 345.00 - OKLAUNION 345KV CKT 1
15SP	06ALL	4	FROM->TO	G15_032_115	ELK CITY 230KV (ELKCTY-6) 230/138/13.8KV TRANSFORMER CKT 1	449.3	0.08656	103.0198	G14-074T 345.00 - OKLAUNION 345KV CKT 1
15SP	06ALL	4	FROM->TO	G15_032_115	ELK CITY 230KV (ELKCTY-6) 230/138/13.8KV TRANSFORMER CKT 1	446.4	0.09297	101.7988	CHISHOLM7 345.00 - WOODWARD DISTRICT EHV 345KV CKT 1
15SP	06ALL	4	FROM->TO	G15_032_115	ELK CITY 230KV (ELKCTY-6) 230/138/13.8KV TRANSFORMER CKT 1	449.3	0.09297	101.2531	CHISHOLM7 345.00 - WOODWARD DISTRICT EHV 345KV CKT 1

SEASON	GROUP	SCENARIO	DIRECTION	SOURCE	MONITORED ELEMENT	RATE (MVA)	TDF	CONTINGENCY		CONTINGENCY
								LOADING %		
15SP	06ALL		4	FROM->TO	G15_032_115	ELK CITY 230KV (ELKCTY-6) 230/138/113.8KV TRANSFORMER CKT 1	446.4	0.08656	100.1496	G14-074T 345.00 - TUCO INTERCHANGE 345KV CKT 1
15G	06ALL		4	FROM->TO	G15_032_115	FPL SWITCH - MOORELAND 138KV CKT 1	284.1	0.04624	119.1292	DBL-THIS-WWRD
15G	06ALL		4	FROM->TO	G15_032_115	FPL SWITCH - MOORELAND 138KV CKT 1	284.1	0.03796	111.6987	NORTHWEST - TATONGA7 345.00 345KV CKT 1
15G	06ALL		4	FROM->TO	G15_032_115	FPL SWITCH - MOORELAND 138KV CKT 1	284.1	0.03796	110.1499	SPSCont-04
15G	06ALL		4	FROM->TO	G15_032_115	FPL SWITCH - MOORELAND 138KV CKT 1	284.1	0.03796	109.9036	SPSCont-05b
15G	06ALL		4	FROM->TO	G15_032_115	FPL SWITCH - MOORELAND 138KV CKT 1	284.1	0.03757	108.3928	CHISHOLM6 230.00 - ELK CITY 230KV 230KV CKT 1
15G	06ALL		4	FROM->TO	G15_032_115	FPL SWITCH - MOORELAND 138KV CKT 1	284.1	0.03757	108.3928	ELK CITY 230KV (ELKCTY-6) 230/138/113.8KV TRANSFORMER CKT 1
15G	06ALL		4	FROM->TO	G15_032_115	FPL SWITCH - MOORELAND 138KV CKT 1	284.1	0.03796	104.6941	G11_051T 345.00 - TATONGA7 345.00 345KV CKT 1
15G	06ALL		4	FROM->TO	G15_032_115	FPL SWITCH - MOORELAND 138KV CKT 1	284.1	0.03796	103.9198	G11_051T 345.00 - WOODWARD DISTRICT EHV 345KV CKT 1
15G	06ALL		4	FROM->TO	G15_032_115	FPL SWITCH - MOORELAND 138KV CKT 1	284.1	0.03796	102.2302	SPSCont-05ax
15G	06ALL		4	FROM->TO	G15_032_115	FPL SWITCH - MOORELAND 138KV CKT 1	284.1	0.02897	102.038	WOODWARD (WOODWRD2) 138/69/13.2KV TRANSFORMER CKT 1
15G	06ALL		4	TO->FROM	G15_032_115	FPL SWITCH - WOODWARD 138KV CKT 1	285.1	0.04624	112.3627	DBL-THIS-WWRD
15G	06ALL		4	TO->FROM	G15_032_115	FPL SWITCH - WOODWARD 138KV CKT 1	285.1	0.03796	104.9583	NORTHWEST - TATONGA7 345.00 345KV CKT 1
15G	06ALL		4	TO->FROM	G15_032_115	FPL SWITCH - WOODWARD 138KV CKT 1	285.1	0.03796	103.4149	SPSCont-04
15G	06ALL		4	TO->FROM	G15_032_115	FPL SWITCH - WOODWARD 138KV CKT 1	285.1	0.03796	103.1694	SPSCont-05b
15G	06ALL		4	TO->FROM	G15_032_115	FPL SWITCH - WOODWARD 138KV CKT 1	285.1	0.03757	101.664	CHISHOLM6 230.00 - ELK CITY 230KV 230KV CKT 1
15G	06ALL		4	TO->FROM	G15_032_115	FPL SWITCH - WOODWARD 138KV CKT 1	285.1	0.03757	101.664	ELK CITY 230KV (ELKCTY-6) 230/138/113.8KV TRANSFORMER CKT 1
15SP	06ALL		4	TO->FROM	G15_032_115	GLASS MOUNTAIN - MOORELAND 138KV CKT 1	122.3	0.02083	109.2706	DBL-THIS-WWRD
20WP	06ALL		4	TO->FROM	G15_032_115	GLASS MOUNTAIN - MOORELAND 138KV CKT 1	122.3	0.02038	101.287	DBL-THIS-WWRD
15WP	06ALL		4	TO->FROM	G15_032_115	GLASS MOUNTAIN - MOORELAND 138KV CKT 1	122.2	0.02132	100.7676	DBL-THIS-WWRD
15SP	06ALL		4	TO->FROM	G15_032_115	GLASS MOUNTAIN - MOORELAND 138KV CKT 1	122.3	0.01606	100.5576	MOORELAND - NOEL_SW 138.00 138KV CKT 1
15G	06ALL		4	TO->FROM	G15_032_115	GRAPEVINE INTERCHANGE - NICHOLS STATION 230KV CKT 1	350	0.08003	100.2606	GRAPEVINE 345.00 - POTTER COUNTY INTERCHANGE 345KV CKT 1
15G	06ALL		4	TO->FROM	G15_032_115	GRAPEVINE INTERCHANGE - NICHOLS STATION 230KV CKT 1	350	0.07636	100.2189	DBL-G1114-WWRD
15G	06ALL		4	TO->FROM	G15_032_115	GRAPEVINE INTERCHANGE - NICHOLS STATION 230KV CKT 1	350	0.08003	100.032	CHISHOLM7 345.00 - GRAPEVINE 345.00 345KV CKT 1
15G	06ALL		4	FROM->TO	G15_032_115	Harrington Station East Bus - POTTER COUNTY INTERCHANGE 230KV CKT 1	346.9	0.11395	121.5284	CHERRY1 - HARRINGTON STATION 230KV CKT 1
15G	06ALL		4	FROM->TO	G15_032_115	Harrington Station East Bus - POTTER COUNTY INTERCHANGE 230KV CKT 1	346.9	0.13505	120.1199	CHERRY1 - POTTER COUNTY INTERCHANGE 230KV CKT 1
15G	06ALL		4	TO->FROM	G15_032_115	HAYS PLANT - SOUTH HAYS 115KV CKT 1	98.9	0.0061	115.4055	KNOLL 230 - POSTROCK6 230.00 230KV CKT 1
15SP	06ALL		4	FROM->TO	G15_032_115	HAYS PLANT - VINE STREET 115KV CKT 1	88	0.00585	116.9159	KNOLL 230 - POSTROCK6 230.00 230KV CKT 1
15G	06ALL		4	FROM->TO	G15_032_115	HAYS PLANT - VINE STREET 115KV CKT 1	87.9	0.0061	105.9568	KNOLL 230 - POSTROCK6 230.00 230KV CKT 1
15SP	06ALL		4	FROM->TO	G15_032_115	JERICHO (JERIC2WT) 115/69/14.4KV TRANSFORMER CKT 1	45.6	0.00728	107.4825	KIRBY SWITCHING STATION - MCCLELLAN SUB 115KV CKT 1
15SP	06ALL		4	FROM->TO	G15_032_115	JERICHO (JERIC2WT) 115/69/14.4KV TRANSFORMER CKT 1	45.9	0.00728	106.78	KIRBY SWITCHING STATION - MCCLELLAN SUB 115KV CKT 1
15SP	06ALL		4	FROM->TO	G15_032_115	JERICHO (JERIC2WT) 115/69/14.4KV TRANSFORMER CKT 1	45.6	0.00728	105.9474	MCCLELLAN SUB - MCLEAN RURAL SUB 115KV CKT 1
15SP	06ALL		4	FROM->TO	G15_032_115	JERICHO (JERIC2WT) 115/69/14.4KV TRANSFORMER CKT 1	45.9	0.00728	105.2549	MCCLELLAN SUB - MCLEAN RURAL SUB 115KV CKT 1
15G	06ALL		4	FROM->TO	G15_032_115	JERICHO (JERIC2WT) 115/69/14.4KV TRANSFORMER CKT 1	45.7	0.00738	102.5383	KIRBY SWITCHING STATION - MCCLELLAN SUB 115KV CKT 1
15SP	06ALL		4	FROM->TO	G15_032_115	JERICHO (JERIC2WT) 115/69/14.4KV TRANSFORMER CKT 1	45.6	0.00728	102.2193	SPP-SWPS-T54
15G	06ALL		4	FROM->TO	G15_032_115	JERICHO (JERIC2WT) 115/69/14.4KV TRANSFORMER CKT 1	45.9	0.00738	102.0915	KIRBY SWITCHING STATION - MCCLELLAN SUB 115KV CKT 1
15SP	06ALL		4	FROM->TO	G15_032_115	JERICHO (JERIC2WT) 115/69/14.4KV TRANSFORMER CKT 1	45.9	0.00728	101.7691	SPP-SWPS-T54
15G	06ALL		4	FROM->TO	G15_032_115	JERICHO (JERIC2WT) 115/69/14.4KV TRANSFORMER CKT 1	45.7	0.00738	101.2254	MCCLELLAN SUB - MCLEAN RURAL SUB 115KV CKT 1
15SP	06ALL		4	FROM->TO	G15_032_115	JERICHO (JERIC2WT) 115/69/14.4KV TRANSFORMER CKT 1	45.6	0.00728	100.9035	MCLEAN RURAL SUB - SHAMROCK 115KV CKT 1
15SP	06ALL		4	FROM->TO	G15_032_115	JERICHO (JERIC2WT) 115/69/14.4KV TRANSFORMER CKT 1	45.6	0.00728	100.9035	SHAMROCK (SHAMRCK1) 115/69/14.4KV TRANSFORMER CKT 1
15G	06ALL		4	FROM->TO	G15_032_115	JERICHO (JERIC2WT) 115/69/14.4KV TRANSFORMER CKT 1	45.9	0.00738	100.7843	MCCLELLAN SUB - MCLEAN RURAL SUB 115KV CKT 1
15SP	06ALL		4	FROM->TO	G15_032_115	JERICHO (JERIC2WT) 115/69/14.4KV TRANSFORMER CKT 1	45.9	0.00728	100.244	MCLEAN RURAL SUB - SHAMROCK 115KV CKT 1
15SP	06ALL		4	FROM->TO	G15_032_115	JERICHO (JERIC2WT) 115/69/14.4KV TRANSFORMER CKT 1	45.9	0.00728	100.244	SHAMROCK (SHAMRCK1) 115/69/14.4KV TRANSFORMER CKT 1
25SP	00NR		4	TO->FROM	G15_032_115	LUBBOCK POWER & LIGHT-CO-OP - LUBBOCK POWER & LIGHT-SLATON 69KV CKT 1	53.5	0.00706	154.4262	LUBBOCK POWER & LIGHT-CO-OP - LUBBOCK POWER & LIGHT-WADSWORTH 69KV CKT 1
20SP	00NR		4	TO->FROM	G15_032_115	LUBBOCK POWER & LIGHT-CO-OP - LUBBOCK POWER & LIGHT-SLATON 69KV CKT 1	53.6	0.00982	138.3321	LUBBOCK POWER & LIGHT-CO-OP - LUBBOCK POWER & LIGHT-WADSWORTH 69KV CKT 1
15SP	00NR		4	TO->FROM	G15_032_115	LUBBOCK POWER & LIGHT-CO-OP - LUBBOCK POWER & LIGHT-SLATON 69KV CKT 1	53.9	0.00956	115.3395	LUBBOCK POWER & LIGHT-CO-OP - LUBBOCK POWER & LIGHT-WADSWORTH 69KV CKT 1
20WP	00NR		4	TO->FROM	G15_032_115	LUBBOCK POWER & LIGHT-CO-OP - LUBBOCK POWER & LIGHT-SLATON 69KV CKT 1	53.9	0.01601	105.3859	LUBBOCK POWER & LIGHT-CO-OP - LUBBOCK POWER & LIGHT-WADSWORTH 69KV CKT 1
25SP	00NR		4	TO->FROM	G15_032_115	LUBBOCK POWER & LIGHT-CO-OP - LUBBOCK POWER & LIGHT-WADSWORTH 69KV CKT 1	105.6	0.0071	126.9223	BASE CASE
25SP	00NR		4	TO->FROM	G15_032_115	LUBBOCK POWER & LIGHT-CO-OP - LUBBOCK POWER & LIGHT-WADSWORTH 69KV CKT 1	141.2	0.00861	125.4837	LUBBOCK POWER & LIGHT-SLATON - LUBBOCK POWER & LIGHT-SOUTHEAST 69KV CKT 1
25SP	00NR		4	TO->FROM	G15_032_115	LUBBOCK POWER & LIGHT-CO-OP - LUBBOCK POWER & LIGHT-WADSWORTH 69KV CKT 1	141.2	0.0094	116.0907	LUBBOCK POWER & LIGHT-SOUTHEAST - LUBBOCK SOUTH INTERCHANGE 230KV CKT 1
25SP	00NR		4	TO->FROM	G15_032_115	LUBBOCK POWER & LIGHT-CO-OP - LUBBOCK POWER & LIGHT-WADSWORTH 69KV CKT 1	141.2	0.0089	114.2847	LUBBOCK POWER & LIGHT-HOLLY GEN - LUBBOCK POWER & LIGHT-NORTHEAST 69KV CKT 1
20SP	00NR		4	TO->FROM	G15_032_115	LUBBOCK POWER & LIGHT-CO-OP - LUBBOCK POWER & LIGHT-WADSWORTH 69KV CKT 1	108	0.00977	113.6398	BASE CASE
20SP	00NR		4	TO->FROM	G15_032_115	LUBBOCK POWER & LIGHT-CO-OP - LUBBOCK POWER & LIGHT-WADSWORTH 69KV CKT 1	143	0.01178	113.3804	LUBBOCK POWER & LIGHT-SLATON - LUBBOCK POWER & LIGHT-SOUTHEAST 69KV CKT 1
25SP	00NR		4	TO->FROM	G15_032_115	LUBBOCK POWER & LIGHT-CO-OP - LUBBOCK POWER & LIGHT-WADSWORTH 69KV CKT 1	141.2	0.0091	111.0694	CARLISLE INTERCHANGE - LUBBOCK POWER & LIGHT-MILWAUKEE 230KV CKT 1

SEASON	GROUP	SCENARIO	DIRECTION	SOURCE	MONITORED ELEMENT	RATE (MVA)	TDF	CONTINGENCY LOADING %	CONTINGENCY	
25SP	00NR		4	TO->FROM	G15_032_115	LUBBOCK POWER & LIGHT-CO-OP - LUBBOCK POWER & LIGHT-WADSWORTH 69KV CKT 1	141.2	0.0091	110.9986	LUBBOCK POWER & LIGHT-MILWAUKEE (M-E C0681251) 230/69/13.5KV TRANSFORMER CKT 1
25SP	00NR		4	TO->FROM	G15_032_115	LUBBOCK POWER & LIGHT-CO-OP - LUBBOCK POWER & LIGHT-WADSWORTH 69KV CKT 1	141.2	0.0091	110.9986	SPP-SWPS-K39
15SP	00NR		4	TO->FROM	G15_032_115	LUBBOCK POWER & LIGHT-CO-OP - LUBBOCK POWER & LIGHT-WADSWORTH 69KV CKT 1	108	0.01058	109.6982	BASE CASE
25SP	00NR		4	TO->FROM	G15_032_115	LUBBOCK POWER & LIGHT-CO-OP - LUBBOCK POWER & LIGHT-WADSWORTH 69KV CKT 1	141.2	0.00737	108.7897	LUBBOCK POWER & LIGHT-OLIVER - LUBBOCK POWER & LIGHT-SOUTHEAST 69KV CKT 1
15SP	00NR		4	TO->FROM	G15_032_115	LUBBOCK POWER & LIGHT-CO-OP - LUBBOCK POWER & LIGHT-WADSWORTH 69KV CKT 1	143	0.01213	104.5727	LUBBOCK POWER & LIGHT-SLATON - LUBBOCK POWER & LIGHT-SOUTHEAST 69KV CKT 1
25SP	00NR		4	TO->FROM	G15_032_115	LUBBOCK POWER & LIGHT-CO-OP - LUBBOCK POWER & LIGHT-WADSWORTH 69KV CKT 1	141.2	0.0089	103.449	LUBBOCK POWER & LIGHT-MACKENZIE GEN - LUBBOCK POWER & LIGHT-NORTHEAST 69KV CKT 1
20SP	00NR		4	TO->FROM	G15_032_115	LUBBOCK POWER & LIGHT-CO-OP - LUBBOCK POWER & LIGHT-WADSWORTH 69KV CKT 1	143	0.01209	103.3755	LUBBOCK POWER & LIGHT-HOLLY GEN - LUBBOCK POWER & LIGHT-NORTHEAST 69KV CKT 1
20SP	00NR		4	TO->FROM	G15_032_115	LUBBOCK POWER & LIGHT-CO-OP - LUBBOCK POWER & LIGHT-WADSWORTH 69KV CKT 1	143	0.01348	103.3175	LUBBOCK POWER & LIGHT-SOUTHEAST - LUBBOCK SOUTH INTERCHANGE 230KV CKT 1
25SP	00NR		4	TO->FROM	G15_032_115	LUBBOCK POWER & LIGHT-CO-OP - LUBBOCK POWER & LIGHT-WADSWORTH 69KV CKT 1	141.2	0.00796	102.8244	LUBBOCK POWER & LIGHT-SOUTHEAST (ABB 60258) 230/69/13.5KV TRANSFORMER CKT 1
25SP	00NR		4	TO->FROM	G15_032_115	LUBBOCK POWER & LIGHT-CO-OP - LUBBOCK POWER & LIGHT-WADSWORTH 69KV CKT 1	141.2	0.00791	102.318	LUBBOCK POWER & LIGHT-SOUTHEAST (FRM WADSWRTH) 230/69/13.5KV TRANSFORMER CKT 2
25SP	00NR		4	TO->FROM	G15_032_115	LUBBOCK POWER & LIGHT-CO-OP - LUBBOCK POWER & LIGHT-WADSWORTH 69KV CKT 1	141.2	0.00744	101.5807	LUBBOCK POWER & LIGHT-CHALKER - LUBBOCK POWER & LIGHT-THOMPSON 69KV CKT 1
25SP	00NR		4	TO->FROM	G15_032_115	LUBBOCK POWER & LIGHT-CO-OP - LUBBOCK POWER & LIGHT-WADSWORTH 69KV CKT 1	141.2	0.00652	100.8895	LUBBOCK POWER & LIGHT-HOLLY GEN - LUBBOCK POWER & LIGHT-SOUTHEAST 69KV CKT 1
25SP	00NR		4	TO->FROM	G15_032_115	LUBBOCK POWER & LIGHT-CO-OP - LUBBOCK POWER & LIGHT-WADSWORTH 69KV CKT 1	141.2	0.00737	100.5035	LUBBOCK POWER & LIGHT-CHALKER - LUBBOCK POWER & LIGHT-OLIVER 69KV CKT 1
25SP	00NR		4	TO->FROM	G15_032_115	LUBBOCK POWER & LIGHT-SLATON - LUBBOCK POWER & LIGHT-SOUTHEAST 69KV CKT 1	143	0.00729	121.1797	LUBBOCK POWER & LIGHT-CO-OP - LUBBOCK POWER & LIGHT-WADSWORTH 69KV CKT 1
20SP	00NR		4	TO->FROM	G15_032_115	LUBBOCK POWER & LIGHT-SLATON - LUBBOCK POWER & LIGHT-SOUTHEAST 69KV CKT 1	142.8	0.00987	110.827	LUBBOCK POWER & LIGHT-CO-OP - LUBBOCK POWER & LIGHT-WADSWORTH 69KV CKT 1
20SP	00NR		4	TO->FROM	G15_032_115	LUBBOCK POWER & LIGHT-SLATON - LUBBOCK POWER & LIGHT-SOUTHEAST 69KV CKT 1	142.8	0.00593	109.0189	LUBBOCK POWER & LIGHT-OLIVER - LUBBOCK POWER & LIGHT-SOUTHEAST 69KV CKT 1
20SP	06ALL		4	TO->FROM	G15_032_115	NORGE ROAD - SOUTHWESTERN STATION 138KV CKT 1	135.7	0.01108	110.7428	SOUTHWESTERN STATION - VERDEN 138KV CKT 1
20SP	06ALL		4	TO->FROM	G15_032_115	NORGE ROAD - SOUTHWESTERN STATION 138KV CKT 1	135.7	0.01108	109.269	NORTH 29TH CHICKASHA - VERDEN 138KV CKT 1
20SP	06ALL		4	TO->FROM	G15_032_115	NORGE ROAD - SOUTHWESTERN STATION 138KV CKT 1	135.7	0.01577	106.3581	CIMARRON - MINCO 345KV CKT 1
20SP	06ALL		4	TO->FROM	G15_032_115	NORGE ROAD - SOUTHWESTERN STATION 138KV CKT 1	135.7	0.01108	106.1739	CORNVILLE - NORTH 29TH CHICKASHA 138KV CKT 1
20SP	06ALL		4	TO->FROM	G15_032_115	NORGE ROAD - SOUTHWESTERN STATION 138KV CKT 1	135.7	0.01027	104.1164	ANADARKO - CORN TAP 138KV CKT 1
20SP	06ALL		4	TO->FROM	G15_032_115	NORGE ROAD - SOUTHWESTERN STATION 138KV CKT 1	135.7	0.01577	102.8209	GRACEMONT - MINCO 345KV CKT 1
25SP	06ALL		4	TO->FROM	G15_032_115	NORGE ROAD - SOUTHWESTERN STATION 138KV CKT 1	135.8	0.01063	100.0839	SOUTHWESTERN STATION - VERDEN 138KV CKT 1
15SP	06ALL		4	FROM->TO	G15_032_115	PRINGLE INTERCHANGE - SPEARMAN INTERCHANGE 115KV CKT 1	159.7	0.0409	105.0445	PRINGLE INTERCHANGE - SPEARMAN INTERCHANGE 115KV CKT 2
15G	06ALL		4	FROM->TO	G15_032_115	PRINGLE INTERCHANGE - SPEARMAN INTERCHANGE 115KV CKT 1	158.4	0.03961	103.8321	PRINGLE INTERCHANGE - SPEARMAN INTERCHANGE 115KV CKT 2
15G	06ALL		4	FROM->TO	G15_032_115	SHAMROCK (SHAMRCK1) 115/69/14.4KV TRANSFORMER CKT 1	66	0.01496	106.3606	CHISHOLM6 230.00 - SWEETWATER 230KV CKT 1
15G	06ALL		4	FROM->TO	G15_032_115	SHAMROCK (SHAMRCK1) 115/69/14.4KV TRANSFORMER CKT 1	66	0.01345	105.703	HWRDWCK2 69.000 - JERICHO 69KV CKT 1
15G	06ALL		4	FROM->TO	G15_032_115	SHAMROCK (SHAMRCK1) 115/69/14.4KV TRANSFORMER CKT 1	66	0.01345	105.703	JERICHO - KIRBY SWITCHING STATION 115KV CKT 1
15G	06ALL		4	FROM->TO	G15_032_115	SHAMROCK (SHAMRCK1) 115/69/14.4KV TRANSFORMER CKT 1	66	0.01345	105.703	JERICHO (JERIC2WT) 115/69/14.4KV TRANSFORMER CKT 1
15G	06ALL		4	FROM->TO	G15_032_115	SHAMROCK (SHAMRCK1) 115/69/14.4KV TRANSFORMER CKT 1	66	0.01345	104.9455	CLARENDON - HWRDWCK2 69.000 69KV CKT 1
15G	06ALL		4	FROM->TO	G15_032_115	SHAMROCK (SHAMRCK1) 115/69/14.4KV TRANSFORMER CKT 1	66	0.01412	104.7818	G14-074T 345.00 - OKLAUNION 345KV CKT 1
15G	06ALL		4	FROM->TO	G15_032_115	SHAMROCK (SHAMRCK1) 115/69/14.4KV TRANSFORMER CKT 1	67.1	0.01496	104.766	CHISHOLM6 230.00 - SWEETWATER 230KV CKT 1
15G	06ALL		4	FROM->TO	G15_032_115	SHAMROCK (SHAMRCK1) 115/69/14.4KV TRANSFORMER CKT 1	67.1	0.01345	104.2683	HWRDWCK2 69.000 - JERICHO 69KV CKT 1
15G	06ALL		4	FROM->TO	G15_032_115	SHAMROCK (SHAMRCK1) 115/69/14.4KV TRANSFORMER CKT 1	67.1	0.01345	104.2683	JERICHO - KIRBY SWITCHING STATION 115KV CKT 1
15G	06ALL		4	FROM->TO	G15_032_115	SHAMROCK (SHAMRCK1) 115/69/14.4KV TRANSFORMER CKT 1	67.1	0.01345	104.2683	JERICHO (JERIC2WT) 115/69/14.4KV TRANSFORMER CKT 1
15G	06ALL		4	FROM->TO	G15_032_115	SHAMROCK (SHAMRCK1) 115/69/14.4KV TRANSFORMER CKT 1	66	0.01496	104.0879	GRAPEVINE INTERCHANGE - STATELINE INTERCHANGE 230KV CKT 1
15G	06ALL		4	FROM->TO	G15_032_115	SHAMROCK (SHAMRCK1) 115/69/14.4KV TRANSFORMER CKT 1	67.1	0.01345	103.5231	CLARENDON - HWRDWCK2 69.000 69KV CKT 1
15G	06ALL		4	FROM->TO	G15_032_115	SHAMROCK (SHAMRCK1) 115/69/14.4KV TRANSFORMER CKT 1	66	0.01344	103.4849	CHISHOLM6 230.00 - ELK CITY 230KV 230KV CKT 1
15G	06ALL		4	FROM->TO	G15_032_115	SHAMROCK (SHAMRCK1) 115/69/14.4KV TRANSFORMER CKT 1	66	0.01344	103.4849	ELK CITY 230KV (ELKCTY-6) 230/138/13.8KV TRANSFORMER CKT 1
15G	06ALL		4	FROM->TO	G15_032_115	SHAMROCK (SHAMRCK1) 115/69/14.4KV TRANSFORMER CKT 1	66	0.01381	103.3667	CHISHOLM7 345.00 - GRACEMONT 345KV CKT 1
15G	06ALL		4	FROM->TO	G15_032_115	SHAMROCK (SHAMRCK1) 115/69/14.4KV TRANSFORMER CKT 1	67.1	0.01412	103.2131	G14-074T 345.00 - OKLAUNION 345KV CKT 1
15G	06ALL		4	FROM->TO	G15_032_115	SHAMROCK (SHAMRCK1) 115/69/14.4KV TRANSFORMER CKT 1	67.1	0.01496	102.5306	GRAPEVINE INTERCHANGE - STATELINE INTERCHANGE 230KV CKT 1
15G	06ALL		4	FROM->TO	G15_032_115	SHAMROCK (SHAMRCK1) 115/69/14.4KV TRANSFORMER CKT 1	67.1	0.01344	101.9374	CHISHOLM6 230.00 - ELK CITY 230KV 230KV CKT 1
15G	06ALL		4	FROM->TO	G15_032_115	SHAMROCK (SHAMRCK1) 115/69/14.4KV TRANSFORMER CKT 1	67.1	0.01344	101.9374	ELK CITY 230KV (ELKCTY-6) 230/138/13.8KV TRANSFORMER CKT 1
15G	06ALL		4	FROM->TO	G15_032_115	SHAMROCK (SHAMRCK1) 115/69/14.4KV TRANSFORMER CKT 1	66	0.01345	101.9152	CLARENDON - CLARENDON REC 69KV CKT 1
15G	06ALL		4	FROM->TO	G15_032_115	SHAMROCK (SHAMRCK1) 115/69/14.4KV TRANSFORMER CKT 1	67.1	0.01381	101.8212	CHISHOLM7 345.00 - GRACEMONT 345KV CKT 1
15G	06ALL		4	FROM->TO	G15_032_115	SHAMROCK (SHAMRCK1) 115/69/14.4KV TRANSFORMER CKT 1	66	0.01412	101.297	G14-074T 345.00 - TUCO INTERCHANGE 345KV CKT 1
15G	06ALL		4	FROM->TO	G15_032_115	SHAMROCK (SHAMRCK1) 115/69/14.4KV TRANSFORMER CKT 1	66	0.01345	100.703	CLARENDON REC - HEDLEY 69KV CKT 1
15G	06ALL		4	FROM->TO	G15_032_115	SHAMROCK (SHAMRCK1) 115/69/14.4KV TRANSFORMER CKT 1	66	0.01329	100.5849	DBL-G1114-WWRD

SEASON	GROUP	SCENARIO	DIRECTION	SOURCE	MONITORED ELEMENT	RATE (MVA)	TDF	CONTINGENCY LOADING %	CONTINGENCY
15G	06ALL		4	FROM->TO	G15_032_115 SHAMROCK (SHAMRCK1) 115/69/14.4KV TRANSFORMER CKT 1	67.1	0.01345	100.5425	CLARENDON - CLARENDON REC 69KV CKT 1
15G	06ALL		4	FROM->TO	G15_032_115 SHAMROCK (SHAMRCK1) 115/69/14.4KV TRANSFORMER CKT 1	66	0.01496	100.3	SPP-SWPS-02
15G	06ALL		4	FROM->TO	G15_032_115 SHAMROCK (SHAMRCK1) 115/69/14.4KV TRANSFORMER CKT 1	66	0.01496	100.3	STATELINE INTERCHANGE - STLN-DEMARC6 230KV CKT 1
15G	06ALL		4	FROM->TO	G15_032_115 SHAMROCK (SHAMRCK1) 115/69/14.4KV TRANSFORMER CKT 1	66	0.01496	100.3	STLN-DEMARC6 - SWEETWATER 230KV CKT 1
15SP	06ALL		4	FROM->TO	G15_032_115 SHAMROCK (SHAMRCK1) 115/69/14.4KV TRANSFORMER CKT 1	67.2	0.0133	100.2946	HWRDWCK2 69.000 - JERICO 69KV CKT 1
15SP	06ALL		4	FROM->TO	G15_032_115 SHAMROCK (SHAMRCK1) 115/69/14.4KV TRANSFORMER CKT 1	67.2	0.0133	100.2946	JERICO - KIRBY SWITCHING STATION 115KV CKT 1
15SP	06ALL		4	FROM->TO	G15_032_115 SHAMROCK (SHAMRCK1) 115/69/14.4KV TRANSFORMER CKT 1	67.2	0.0133	100.2946	JERICO (JERIC2WT) 115/69/14.4KV TRANSFORMER CKT 1
20WP	06ALL		4	TO->FROM	G15_032_115 SUNSHINE CANYON - TUTTLE 138KV CKT 1	140.9	0.02057	108.907	CIMARRON - MINCO 345KV CKT 1
20SP	06ALL		4	TO->FROM	G15_032_115 SUNSHINE CANYON - TUTTLE 138KV CKT 1	141.6	0.02158	104.6299	CIMARRON - MINCO 345KV CKT 1
20WP	06ALL		4	TO->FROM	G15_032_115 SUNSHINE CANYON - TUTTLE 138KV CKT 1	140.9	0.02057	104.2228	GRACEMONT - MINCO 345KV CKT 1
15SP	06ALL		4	TO->FROM	G15_032_115 SUNSHINE CANYON - TUTTLE 138KV CKT 1	141.6	0.02293	103.9308	CIMARRON - MINCO 345KV CKT 1
15SP	06ALL		4	FROM->TO	G15_032_115 THOMAS TAP - WEATHERFORD 69KV CKT 1	39	0.00797	114.2821	CLINTON JUNCTION - CLINTON NATURAL GAS TAP 138KV CKT 1
15G	06ALL		4	FROM->TO	G15_032_115 TUCO INTERCHANGE (GE M1022338) 345/230/13.2KV TRANSFORMER CKT 1	555.3	0.15168	101.5768	TUCO INTERCHANGE (SIEM 8743066) 345/230/13.2KV TRANSFORMER CKT 2
15G	06ALL		4	FROM->TO	G15_032_115 TUCO INTERCHANGE (GE M1022338) 345/230/13.2KV TRANSFORMER CKT 1	557.5	0.15168	101.1222	TUCO INTERCHANGE (SIEM 8743066) 345/230/13.2KV TRANSFORMER CKT 2
20WP	06ALL		4	TO->FROM	G15_032_115 TUCO_2 345.00 (TUCO_2 XFMR) 345/230/13.2KV TRANSFORMER CKT 1	559.6	0.15552	110.6651	TUCO INTERCHANGE - TUCO_2 345.00 345KV CKT 1
20WP	06ALL		4	TO->FROM	G15_032_115 TUCO_2 345.00 (TUCO_2 XFMR) 345/230/13.2KV TRANSFORMER CKT 1	559.9	0.15552	110.5522	TUCO INTERCHANGE - TUCO_2 345.00 345KV CKT 1
15G	06ALL		4	FROM->TO	G15_032_115 WICHITA (WICH TX-12) 345/138/13.8KV TRANSFORMER CKT 1	413.2	0.01247	106.6651	WICHITA (WICH TX-11) 345/138/13.8KV TRANSFORMER CKT 1
15G	06ALL		4	FROM->TO	G15_032_115 WICHITA (WICH TX-12) 345/138/13.8KV TRANSFORMER CKT 1	419.7	0.01247	104.894	WICHITA (WICH TX-11) 345/138/13.8KV TRANSFORMER CKT 1
15WP	06ALL		4	FROM->TO	G15_032_115 WICHITA (WICH TX-12) 345/138/13.8KV TRANSFORMER CKT 1	414.2	0.01214	102.4003	WICHITA (WICH TX-11) 345/138/13.8KV TRANSFORMER CKT 1
15WP	06ALL		4	FROM->TO	G15_032_115 WICHITA (WICH TX-12) 345/138/13.8KV TRANSFORMER CKT 1	420.2	0.01214	100.8191	WICHITA (WICH TX-11) 345/138/13.8KV TRANSFORMER CKT 1
25SP	00NR		4	FROM->TO	G15_032_115 WOLFFORTH INTERCHANGE (WH 7001668) 230/115/13.2KV TRANSFORMER CKT 1	140.4	0.01936	100.6467	CARLISLE INTERCHANGE - LP-DOUD_TP 3115.00 115KV CKT 1
15G	06ALL		4	FROM->TO	G15_032_115 WOODWARD (WOODWRD2) 138/69/13.2KV TRANSFORMER CKT 1	133.3	0.01074	100.054	FPL SWITCH - MOORELAND 138KV CKT 1
25SP	00NR		5	TO->FROM	G15_032_115 LUBBOCK POWER & LIGHT-CO-OP - LUBBOCK POWER & LIGHT-SLATON 69KV CKT 1	53.5	0.00706	154.4262	LUBBOCK POWER & LIGHT-CO-OP - LUBBOCK POWER & LIGHT-WADSWORTH 69KV CKT 1
20SP	00NR		5	TO->FROM	G15_032_115 LUBBOCK POWER & LIGHT-CO-OP - LUBBOCK POWER & LIGHT-SLATON 69KV CKT 1	53.6	0.00982	138.3321	LUBBOCK POWER & LIGHT-CO-OP - LUBBOCK POWER & LIGHT-WADSWORTH 69KV CKT 1
15SP	00NR		5	TO->FROM	G15_032_115 LUBBOCK POWER & LIGHT-CO-OP - LUBBOCK POWER & LIGHT-SLATON 69KV CKT 1	53.9	0.00956	115.3395	LUBBOCK POWER & LIGHT-CO-OP - LUBBOCK POWER & LIGHT-WADSWORTH 69KV CKT 1
20WP	00NR		5	TO->FROM	G15_032_115 LUBBOCK POWER & LIGHT-CO-OP - LUBBOCK POWER & LIGHT-SLATON 69KV CKT 1	53.9	0.01601	105.3859	LUBBOCK POWER & LIGHT-CO-OP - LUBBOCK POWER & LIGHT-WADSWORTH 69KV CKT 1
25SP	00NR		5	TO->FROM	G15_032_115 LUBBOCK POWER & LIGHT-CO-OP - LUBBOCK POWER & LIGHT-WADSWORTH 69KV CKT 1	105.6	0.0071	126.9223	BASE CASE
25SP	00NR		5	TO->FROM	G15_032_115 LUBBOCK POWER & LIGHT-CO-OP - LUBBOCK POWER & LIGHT-WADSWORTH 69KV CKT 1	141.2	0.00861	125.4837	LUBBOCK POWER & LIGHT-SLATON - LUBBOCK POWER & LIGHT-SOUTHEAST 69KV CKT 1
25SP	00NR		5	TO->FROM	G15_032_115 LUBBOCK POWER & LIGHT-CO-OP - LUBBOCK POWER & LIGHT-WADSWORTH 69KV CKT 1	141.2	0.0094	116.0907	LUBBOCK POWER & LIGHT-SOUTHEAST - LUBBOCK SOUTH INTERCHANGE 230KV CKT 1
25SP	00NR		5	TO->FROM	G15_032_115 LUBBOCK POWER & LIGHT-CO-OP - LUBBOCK POWER & LIGHT-WADSWORTH 69KV CKT 1	141.2	0.0089	114.2847	LUBBOCK POWER & LIGHT-HOLLY GEN - LUBBOCK POWER & LIGHT-NORTHEAST 69KV CKT 1
20SP	00NR		5	TO->FROM	G15_032_115 LUBBOCK POWER & LIGHT-CO-OP - LUBBOCK POWER & LIGHT-WADSWORTH 69KV CKT 1	108	0.00977	113.6398	BASE CASE
20SP	00NR		5	TO->FROM	G15_032_115 LUBBOCK POWER & LIGHT-CO-OP - LUBBOCK POWER & LIGHT-WADSWORTH 69KV CKT 1	143	0.01178	113.3804	LUBBOCK POWER & LIGHT-SLATON - LUBBOCK POWER & LIGHT-SOUTHEAST 69KV CKT 1
25SP	00NR		5	TO->FROM	G15_032_115 LUBBOCK POWER & LIGHT-CO-OP - LUBBOCK POWER & LIGHT-WADSWORTH 69KV CKT 1	141.2	0.0091	111.0694	CARLISLE INTERCHANGE - LUBBOCK POWER & LIGHT-MILWAUKEE 230KV CKT 1
25SP	00NR		5	TO->FROM	G15_032_115 LUBBOCK POWER & LIGHT-CO-OP - LUBBOCK POWER & LIGHT-WADSWORTH 69KV CKT 1	141.2	0.0091	110.9986	LUBBOCK POWER & LIGHT-MILWAUKEE (M-F C0681251) 230/69/13.5KV TRANSFORMER CKT 1
25SP	00NR		5	TO->FROM	G15_032_115 LUBBOCK POWER & LIGHT-CO-OP - LUBBOCK POWER & LIGHT-WADSWORTH 69KV CKT 1	141.2	0.0091	110.9986	SPP-SWPS-K39
15SP	00NR		5	TO->FROM	G15_032_115 LUBBOCK POWER & LIGHT-CO-OP - LUBBOCK POWER & LIGHT-WADSWORTH 69KV CKT 1	108	0.01058	109.6982	BASE CASE
25SP	00NR		5	TO->FROM	G15_032_115 LUBBOCK POWER & LIGHT-CO-OP - LUBBOCK POWER & LIGHT-WADSWORTH 69KV CKT 1	141.2	0.00737	108.7897	LUBBOCK POWER & LIGHT-OLIVER - LUBBOCK POWER & LIGHT-SOUTHEAST 69KV CKT 1
15SP	00NR		5	TO->FROM	G15_032_115 LUBBOCK POWER & LIGHT-CO-OP - LUBBOCK POWER & LIGHT-WADSWORTH 69KV CKT 1	143	0.01213	104.5727	LUBBOCK POWER & LIGHT-SLATON - LUBBOCK POWER & LIGHT-SOUTHEAST 69KV CKT 1
25SP	00NR		5	TO->FROM	G15_032_115 LUBBOCK POWER & LIGHT-CO-OP - LUBBOCK POWER & LIGHT-WADSWORTH 69KV CKT 1	141.2	0.0089	103.449	LUBBOCK POWER & LIGHT-MACKENZIE GEN - LUBBOCK POWER & LIGHT-NORTHEAST 69KV CKT 1
20SP	00NR		5	TO->FROM	G15_032_115 LUBBOCK POWER & LIGHT-CO-OP - LUBBOCK POWER & LIGHT-WADSWORTH 69KV CKT 1	143	0.01209	103.3755	LUBBOCK POWER & LIGHT-HOLLY GEN - LUBBOCK POWER & LIGHT-NORTHEAST 69KV CKT 1
20SP	00NR		5	TO->FROM	G15_032_115 LUBBOCK POWER & LIGHT-CO-OP - LUBBOCK POWER & LIGHT-WADSWORTH 69KV CKT 1	143	0.01348	103.3175	LUBBOCK POWER & LIGHT-SOUTHEAST - LUBBOCK SOUTH INTERCHANGE 230KV CKT 1
25SP	00NR		5	TO->FROM	G15_032_115 LUBBOCK POWER & LIGHT-CO-OP - LUBBOCK POWER & LIGHT-WADSWORTH 69KV CKT 1	141.2	0.00796	102.8244	LUBBOCK POWER & LIGHT-SOUTHEAST (ABB 60258) 230/69/13.5KV TRANSFORMER CKT 1
25SP	00NR		5	TO->FROM	G15_032_115 LUBBOCK POWER & LIGHT-CO-OP - LUBBOCK POWER & LIGHT-WADSWORTH 69KV CKT 1	141.2	0.00791	102.318	LUBBOCK POWER & LIGHT-SOUTHEAST (FRM WADSWRTH) 230/69/13.5KV TRANSFORMER CKT 2
25SP	00NR		5	TO->FROM	G15_032_115 LUBBOCK POWER & LIGHT-CO-OP - LUBBOCK POWER & LIGHT-WADSWORTH 69KV CKT 1	141.2	0.00744	101.5807	LUBBOCK POWER & LIGHT-CHALKER - LUBBOCK POWER & LIGHT-THOMPSON 69KV CKT 1
25SP	00NR		5	TO->FROM	G15_032_115 LUBBOCK POWER & LIGHT-CO-OP - LUBBOCK POWER & LIGHT-WADSWORTH 69KV CKT 1	141.2	0.00652	100.8895	LUBBOCK POWER & LIGHT-HOLLY GEN - LUBBOCK POWER & LIGHT-SOUTHEAST 69KV CKT 1

SEASON	GROUP	SCENARIO	DIRECTION	SOURCE	MONITORED ELEMENT	RATE (MVA)	TDF	CONTINGENCY LOADING %	CONTINGENCY
25SP	00NR		5 TO->FROM	G15_032_115	LUBBOCK POWER & LIGHT-CO-OP - LUBBOCK POWER & LIGHT-WADSWORTH 69KV CKT 1	141.2	0.00737	100.5035	LUBBOCK POWER & LIGHT-CHALKER - LUBBOCK POWER & LIGHT-OLIVER 69KV CKT 1
25SP	00NR		5 TO->FROM	G15_032_115	LUBBOCK POWER & LIGHT-SLATON - LUBBOCK POWER & LIGHT-SOUTHEAST 69KV CKT 1	143	0.00729	121.1797	LUBBOCK POWER & LIGHT-CO-OP - LUBBOCK POWER & LIGHT-WADSWORTH 69KV CKT 1
20SP	00NR		5 TO->FROM	G15_032_115	LUBBOCK POWER & LIGHT-SLATON - LUBBOCK POWER & LIGHT-SOUTHEAST 69KV CKT 1	142.8	0.00987	110.827	LUBBOCK POWER & LIGHT-CO-OP - LUBBOCK POWER & LIGHT-WADSWORTH 69KV CKT 1
20SP	00NR		5 TO->FROM	G15_032_115	LUBBOCK POWER & LIGHT-SLATON - LUBBOCK POWER & LIGHT-SOUTHEAST 69KV CKT 1	142.8	0.00593	109.0189	LUBBOCK POWER & LIGHT-OLIVER - LUBBOCK POWER & LIGHT-SOUTHEAST 69KV CKT 1
25SP	00NR		5 FROM->TO	G15_032_115	WOLFFORTH INTERCHANGE (WH 7001668) 230/115/13.2KV TRANSFORMER CKT 1	140.4	0.01936	100.6467	CARLISLE INTERCHANGE - LP-DOUD_TP 3115.00 115KV CKT 1

SEASON	GROUP	SCENARIO	DIRECTION	SOURCE	MONITORED ELEMENT	RATE (MVA)	TDF	CONTINGENCY LOADING %	CONTINGENCY
20SP	06ALL		0	FROM->TO	G15_031_230 ANADARKO - CORN TAP 138KV CKT 1	142.8	0.01496	100.2171	CIMARRON - MINCO 345KV CKT 1
15G	06ALL		0	TO->FROM	G15_031_230 ANADARKO - GRACMNT4 138.00 138KV CKT 1	225.1	0.0543	127.6917	CIMARRON - MINCO 345KV CKT 1
15G	06ALL		0	TO->FROM	G15_031_230 ANADARKO - GRACMNT4 138.00 138KV CKT 1	225.1	0.0543	119.5175	GRACEMONT - MINCO 345KV CKT 1
15G	06ALL		0	TO->FROM	G15_031_230 ANADARKO - GRACMNT4 138.00 138KV CKT 1	225.1	0.03062	106.9853	SOUTHWESTERN STATION - WASHITA 138KV CKT 1
15SP	06ALL		0	FROM->TO	G15_031_230 BENTLEY4 138.00 - HALSTEAD SOUTH BUS 138KV CKT 1	142.2	0.00699	108.2771	RENO COUNTY - WICHITA 345KV CKT 1
20WP	06ALL		0	FROM->TO	G15_031_230 CLEARWATER - GILL ENERGY CENTER WEST 138KV CKT 1	142.9	0.01155	119.4794	GILL ENERGY CENTER SOUTH - VIOLA 4 138.00 138KV CKT 1
20SP	06ALL		0	FROM->TO	G15_031_230 CLEARWATER - GILL ENERGY CENTER WEST 138KV CKT 1	142.2	0.01389	102.4191	GILL ENERGY CENTER SOUTH - VIOLA 4 138.00 138KV CKT 1
15SP	06ALL		0	TO->FROM	G15_031_230 CLINTON CITY - FOSS TAP 69KV CKT 1	74.5	0.00792	103.4175	CLINTON JUNCTION - CLINTON NATURAL GAS TAP 138KV CKT 1
15SP	06ALL		0	FROM->TO	G15_031_230 CLINTON CITY - THOMAS TAP 69KV CKT 1	38.9	0.00792	125.5681	CLINTON JUNCTION - CLINTON NATURAL GAS TAP 138KV CKT 1
20SP	06ALL		0	FROM->TO	G15_031_230 CLINTON CITY - THOMAS TAP 69KV CKT 1	39	0.00757	102.8974	CLINTON JUNCTION - CLINTON NATURAL GAS TAP 138KV CKT 1
15G	06ALL		0	FROM->TO	G15_031_230 CLINTON CITY - THOMAS TAP 69KV CKT 1	47.9	0.00771	101.0731	CLINTON JUNCTION - CLINTON NATURAL GAS TAP 138KV CKT 1
15SP	06ALL		0	TO->FROM	G15_031_230 CLINTON JUNCTION - ELK CITY 138KV CKT 1	148.8	0.04253	140.5685	CHISHOLM7 345.00 - GRACEMONT 345KV CKT 1
15G	06ALL		0	TO->FROM	G15_031_230 CLINTON JUNCTION - ELK CITY 138KV CKT 1	185.1	0.04112	124.0551	CHISHOLM7 345.00 - GRACEMONT 345KV CKT 1
15SP	06ALL		0	TO->FROM	G15_031_230 CLINTON JUNCTION - ELK CITY 138KV CKT 1	148.8	0.03626	122.8306	G14-074T 345.00 - OKLAUNION 345KV CKT 1
15SP	06ALL		0	TO->FROM	G15_031_230 CLINTON JUNCTION - ELK CITY 138KV CKT 1	148.8	0.02203	120.3078	ONEY - WASHITA 138KV CKT 1
15SP	06ALL		0	TO->FROM	G15_031_230 CLINTON JUNCTION - ELK CITY 138KV CKT 1	148.8	0.03626	118.7984	G14-074T 345.00 - TUCO INTERCHANGE 345KV CKT 1
15SP	06ALL		0	TO->FROM	G15_031_230 CLINTON JUNCTION - ELK CITY 138KV CKT 1	148.8	0.03245	118.0269	NORTHWEST - TATONGA7 345.00 345KV CKT 1
15SP	06ALL		0	TO->FROM	G15_031_230 CLINTON JUNCTION - ELK CITY 138KV CKT 1	148.8	0.02203	117.754	BINGER NUJECT - ONEY 138KV CKT 1
15SP	06ALL		0	TO->FROM	G15_031_230 CLINTON JUNCTION - ELK CITY 138KV CKT 1	148.8	0.03245	117.5564	SPSCont-05b
15SP	06ALL		0	TO->FROM	G15_031_230 CLINTON JUNCTION - ELK CITY 138KV CKT 1	148.8	0.03245	117.1532	SPSCont-04
15SP	06ALL		0	TO->FROM	G15_031_230 CLINTON JUNCTION - ELK CITY 138KV CKT 1	148.8	0.03305	116.9839	DBL-THIS-WWRD
15SP	06ALL		0	TO->FROM	G15_031_230 CLINTON JUNCTION - ELK CITY 138KV CKT 1	132.4	0.02859	116.0755	BASE CASE
15SP	06ALL		0	TO->FROM	G15_031_230 CLINTON JUNCTION - ELK CITY 138KV CKT 1	148.8	0.03243	115.5282	CLINTON AIR FORCE BASE TAP - ELK CITY 138KV CKT 1
15SP	06ALL		0	TO->FROM	G15_031_230 CLINTON JUNCTION - ELK CITY 138KV CKT 1	148.8	0.03554	115.3185	CHISHOLM7 345.00 - WOODWARD DISTRICT EHV 345KV CKT 1
15SP	06ALL		0	TO->FROM	G15_031_230 CLINTON JUNCTION - ELK CITY 138KV CKT 1	148.8	0.03243	114.6546	CLINTON AIR FORCE BASE TAP - HOBART JUNCTION 138KV CKT 1
15SP	06ALL		0	TO->FROM	G15_031_230 CLINTON JUNCTION - ELK CITY 138KV CKT 1	148.8	0.02203	113.5874	BINGER NUJECT - SICKLES 138KV CKT 1
15SP	06ALL		0	TO->FROM	G15_031_230 CLINTON JUNCTION - ELK CITY 138KV CKT 1	148.8	0.03245	113.457	G11_051T 345.00 - TATONGA7 345.00 345KV CKT 1
15SP	06ALL		0	TO->FROM	G15_031_230 CLINTON JUNCTION - ELK CITY 138KV CKT 1	148.8	0.02203	112.9825	CLINTON JUNCTION - G07-32T 138.00 138KV CKT 1
15SP	06ALL		0	TO->FROM	G15_031_230 CLINTON JUNCTION - ELK CITY 138KV CKT 1	148.8	0.02859	112.8253	G07-32 138.00 - G07-32T 138.00 138KV CKT 1
15SP	06ALL		0	TO->FROM	G15_031_230 CLINTON JUNCTION - ELK CITY 138KV CKT 1	148.8	0.02859	112.8253	G07-32 138.00 138/34.5KV TRANSFORMER CKT 1
15SP	06ALL		0	TO->FROM	G15_031_230 CLINTON JUNCTION - ELK CITY 138KV CKT 1	148.8	0.02859	112.8253	G07-32 34.500 34.5/12.0KV TRANSFORMER CKT 1
15SP	06ALL		0	TO->FROM	G15_031_230 CLINTON JUNCTION - ELK CITY 138KV CKT 1	148.8	0.02859	111.414	WASHITA - WEATHERFORD WIND FARM 34 KV 34.5KV CKT 1
15WP	06ALL		0	TO->FROM	G15_031_230 CLINTON JUNCTION - ELK CITY 138KV CKT 1	186.8	0.04346	111.151	CHISHOLM7 345.00 - GRACEMONT 345KV CKT 1
20SP	06ALL		0	TO->FROM	G15_031_230 CLINTON JUNCTION - ELK CITY 138KV CKT 1	151.1	0.0422	109.3726	CHISHOLM7 345.00 - GRACEMONT 345KV CKT 1
20SP	06ALL		0	TO->FROM	G15_031_230 CLINTON JUNCTION - ELK CITY 138KV CKT 1	151.1	0.02193	106.454	ONEY - WASHITA 138KV CKT 1
15G	06ALL		0	TO->FROM	G15_031_230 CLINTON JUNCTION - ELK CITY 138KV CKT 1	185.1	0.03497	105.7796	G14-074T 345.00 - OKLAUNION 345KV CKT 1
20SP	06ALL		0	TO->FROM	G15_031_230 CLINTON JUNCTION - ELK CITY 138KV CKT 1	151.1	0.02193	103.8729	BINGER NUJECT - ONEY 138KV CKT 1
20WP	06ALL		0	TO->FROM	G15_031_230 CLINTON JUNCTION - ELK CITY 138KV CKT 1	187.5	0.04162	102.7275	CHISHOLM7 345.00 - GRACEMONT 345KV CKT 1
15G	06ALL		0	TO->FROM	G15_031_230 CLINTON JUNCTION - ELK CITY 138KV CKT 1	185.1	0.03497	102.6461	G14-074T 345.00 - TUCO INTERCHANGE 345KV CKT 1
15G	06ALL		0	TO->FROM	G15_031_230 CLINTON JUNCTION - ELK CITY 138KV CKT 1	185.1	0.03139	102.3198	NORTHWEST - TATONGA7 345.00 345KV CKT 1
15G	06ALL		0	TO->FROM	G15_031_230 CLINTON JUNCTION - ELK CITY 138KV CKT 1	185.1	0.03139	101.9416	SPSCont-05b
15G	06ALL		0	TO->FROM	G15_031_230 CLINTON JUNCTION - ELK CITY 138KV CKT 1	185.1	0.03139	101.6175	SPSCont-04
15G	06ALL		0	TO->FROM	G15_031_230 CLINTON JUNCTION - ELK CITY 138KV CKT 1	185.1	0.03123	101.5051	CLINTON AIR FORCE BASE TAP - ELK CITY 138KV CKT 1
15G	06ALL		0	TO->FROM	G15_031_230 CLINTON JUNCTION - ELK CITY 138KV CKT 1	185.1	0.03123	100.9109	CLINTON AIR FORCE BASE TAP - HOBART JUNCTION 138KV CKT 1
15G	06ALL		0	TO->FROM	G15_031_230 CLINTON JUNCTION - ELK CITY 138KV CKT 1	185.1	0.03442	100.2247	CHISHOLM7 345.00 - WOODWARD DISTRICT EHV 345KV CKT 1
15SP	06ALL		0	FROM->TO	G15_031_230 CLINTON JUNCTION - FOSS TAP 69KV CKT 1	74.7	0.00792	104.3454	CLINTON JUNCTION - CLINTON NATURAL GAS TAP 138KV CKT 1
15SP	06ALL		0	TO->FROM	G15_031_230 COMANCHE TAP - TOSCO 69KV CKT 1	39	0.00578	103.9128	G14-057T 345.00 - SUNNYSIDE 345KV CKT 1
15SP	06ALL		0	TO->FROM	G15_031_230 COMANCHE TAP - TOSCO 69KV CKT 1	39	0.00578	101.0923	G14-057T 345.00 - LAWTON EASTSIDE 345KV CKT 1
20WP	06ALL		0	FROM->TO	G15_031_230 CORN TAP - PAYNE 138.00 138KV CKT 1	141.6	0.01809	111.2034	G14-057T 345.00 - SUNNYSIDE 345KV CKT 1
20WP	06ALL		0	FROM->TO	G15_031_230 CORN TAP - PAYNE 138.00 138KV CKT 1	141.6	0.01809	109.4378	G14-057T 345.00 - LAWTON EASTSIDE 345KV CKT 1
15WP	06ALL		0	FROM->TO	G15_031_230 CORN TAP - PAYNE 138.00 138KV CKT 1	141.4	0.01876	109.1033	G14-057T 345.00 - SUNNYSIDE 345KV CKT 1
20WP	06ALL		0	FROM->TO	G15_031_230 CORN TAP - PAYNE 138.00 138KV CKT 1	141.6	0.01839	107.5169	CIMARRON - MINCO 345KV CKT 1
15WP	06ALL		0	FROM->TO	G15_031_230 CORN TAP - PAYNE 138.00 138KV CKT 1	141.4	0.01876	107.4059	G14-057T 345.00 - LAWTON EASTSIDE 345KV CKT 1
20WP	06ALL		0	FROM->TO	G15_031_230 CORN TAP - PAYNE 138.00 138KV CKT 1	141.6	0.01434	105.822	ANADARKO - BLANCHARD 138KV CKT 1
20WP	06ALL		0	FROM->TO	G15_031_230 CORN TAP - PAYNE 138.00 138KV CKT 1	141.6	0.01839	104.4802	GRACEMONT - MINCO 345KV CKT 1
20WP	06ALL		0	FROM->TO	G15_031_230 CORN TAP - PAYNE 138.00 138KV CKT 1	141.6	0.01434	103.8446	BLANCHARD - OUSW4 138KV CKT 1
15WP	06ALL		0	FROM->TO	G15_031_230 CORN TAP - PAYNE 138.00 138KV CKT 1	141.4	0.01918	102.0679	CIMARRON - MINCO 345KV CKT 1
15WP	06ALL		0	FROM->TO	G15_031_230 CORN TAP - PAYNE 138.00 138KV CKT 1	141.4	0.01493	100.6351	ANADARKO - BLANCHARD 138KV CKT 1
15SP	06ALL		0	FROM->TO	G15_031_230 DUNCAN - TOSCO 69KV CKT 1	38.9	0.00578	108.2931	G14-057T 345.00 - SUNNYSIDE 345KV CKT 1
15SP	06ALL		0	FROM->TO	G15_031_230 DUNCAN - TOSCO 69KV CKT 1	38.9	0.00578	105.7224	G14-057T 345.00 - LAWTON EASTSIDE 345KV CKT 1
15WP	06ALL		0	FROM->TO	G15_031_230 DUNCAN - TOSCO 69KV CKT 1	47.8	0.00598	100.9331	G14-057T 345.00 - SUNNYSIDE 345KV CKT 1
20WP	06ALL		0	FROM->TO	G15_031_230 DUNCAN - TOSCO 69KV CKT 1	47.9	0.00561	100.8852	G14-057T 345.00 - SUNNYSIDE 345KV CKT 1
15SP	06ALL		0	TO->FROM	G15_031_230 EARLSBORO 4138.00 - MAUD 138KV CKT 1	97.7	0.00727	106.0778	MAUD (MAUD1) 138/69/13.2KV TRANSFORMER CKT 1
15SP	06ALL		0	TO->FROM	G15_031_230 EARLSBORO 4138.00 - MAUD 138KV CKT 1	97.7	0.00707	101.042	CANADIAN RIVER - MCALESTER SOUTH 138KV CKT 1

SEASON	GROUP	SCENARIO	DIRECTION	SOURCE	MONITORED ELEMENT	RATE (MVA)	TDF	CONTINGENCY LOADING %	CONTINGENCY
15SP	06ALL		0	TO->FROM	G15_031_230 EARLSBORO 4138.00 - MAUD 138KV CKT 1	97.7	0.00698	101.042	PRINGLE INTERCHANGE - SPEARMAN INTERCHANGE 115KV CKT 2
25SP	06ALL		0	FROM->TO	G15_031_230 EDDY_NORTH 6230.00 (WAUK W701134) 230/115/13.2KV TRANSFORMER CKT 2	285	0.00478	104.9039	EDDY COUNTY INTERCHANGE - EDDY_NORTH 6230.00 230KV CKT @1
25SP	06ALL		0	FROM->TO	G15_031_230 EDDY_NORTH 6230.00 (WAUK W701134) 230/115/13.2KV TRANSFORMER CKT 2	286.3	0.00478	104.3577	EDDY COUNTY INTERCHANGE - EDDY_NORTH 6230.00 230KV CKT @1
15G	06ALL		0	FROM->TO	G15_031_230 ELDORADO ICT 69KV CKT 1	26.9	0.00812	100.8178	LAKE PAULINE - RUSSELL 138KV CKT 1
15G	06ALL		0	FROM->TO	G15_031_230 ELK CITY 230KV (ELKCTY-6) 230/138/13.8KV TRANSFORMER CKT 1	446.9	0.09582	117.0611	CHISHOLM7 345.00 - GRACEMONT 345KV CKT 1
15SP	06ALL		0	FROM->TO	G15_031_230 ELK CITY 230KV (ELKCTY-6) 230/138/13.8KV TRANSFORMER CKT 1	446.4	0.10136	117.0408	CHISHOLM7 345.00 - GRACEMONT 345KV CKT 1
15G	06ALL		0	FROM->TO	G15_031_230 ELK CITY 230KV (ELKCTY-6) 230/138/13.8KV TRANSFORMER CKT 1	449.3	0.09582	116.5248	CHISHOLM7 345.00 - GRACEMONT 345KV CKT 1
15SP	06ALL		0	FROM->TO	G15_031_230 ELK CITY 230KV (ELKCTY-6) 230/138/13.8KV TRANSFORMER CKT 1	449.3	0.10136	116.3966	CHISHOLM7 345.00 - GRACEMONT 345KV CKT 1
15WP	06ALL		0	FROM->TO	G15_031_230 ELK CITY 230KV (ELKCTY-6) 230/138/13.8KV TRANSFORMER CKT 1	447.2	0.10419	112.4481	CHISHOLM7 345.00 - GRACEMONT 345KV CKT 1
15WP	06ALL		0	FROM->TO	G15_031_230 ELK CITY 230KV (ELKCTY-6) 230/138/13.8KV TRANSFORMER CKT 1	449.3	0.10419	112.0116	CHISHOLM7 345.00 - GRACEMONT 345KV CKT 1
20WP	06ALL		0	FROM->TO	G15_031_230 ELK CITY 230KV (ELKCTY-6) 230/138/13.8KV TRANSFORMER CKT 1	448.3	0.10009	106.7816	CHISHOLM7 345.00 - GRACEMONT 345KV CKT 1
20WP	06ALL		0	FROM->TO	G15_031_230 ELK CITY 230KV (ELKCTY-6) 230/138/13.8KV TRANSFORMER CKT 1	449.7	0.10009	106.5159	CHISHOLM7 345.00 - GRACEMONT 345KV CKT 1
15SP	06ALL		0	FROM->TO	G15_031_230 ELK CITY 230KV (ELKCTY-6) 230/138/13.8KV TRANSFORMER CKT 1	446.4	0.08727	103.6456	G14-074T 345.00 - OKLAUNION 345KV CKT 1
15SP	06ALL		0	FROM->TO	G15_031_230 ELK CITY 230KV (ELKCTY-6) 230/138/13.8KV TRANSFORMER CKT 1	449.3	0.08727	103.0879	G14-074T 345.00 - OKLAUNION 345KV CKT 1
15SP	06ALL		0	FROM->TO	G15_031_230 ELK CITY 230KV (ELKCTY-6) 230/138/13.8KV TRANSFORMER CKT 1	446.4	0.09327	101.8208	CHISHOLM7 345.00 - WOODWARD DISTRICT EHV 345KV CKT 1
15SP	06ALL		0	FROM->TO	G15_031_230 ELK CITY 230KV (ELKCTY-6) 230/138/13.8KV TRANSFORMER CKT 1	449.3	0.09327	101.2526	CHISHOLM7 345.00 - WOODWARD DISTRICT EHV 345KV CKT 1
15SP	06ALL		0	FROM->TO	G15_031_230 ELK CITY 230KV (ELKCTY-6) 230/138/13.8KV TRANSFORMER CKT 1	446.4	0.08727	100.1958	G14-074T 345.00 - TUCO INTERCHANGE 345KV CKT 1
15G	06ALL		0	FROM->TO	G15_031_230 FPL SWITCH - MOORELAND 138KV CKT 1	284.1	0.04527	119.12	DBL-THIS-WWRD
15G	06ALL		0	FROM->TO	G15_031_230 FPL SWITCH - MOORELAND 138KV CKT 1	284.1	0.03677	111.6396	NORTHWEST - TATONGA7 345.00 345KV CKT 1
15G	06ALL		0	FROM->TO	G15_031_230 FPL SWITCH - MOORELAND 138KV CKT 1	284.1	0.03677	110.0908	SPSCont-04
15G	06ALL		0	FROM->TO	G15_031_230 FPL SWITCH - MOORELAND 138KV CKT 1	284.1	0.03677	109.8444	SPSCont-05b
15G	06ALL		0	FROM->TO	G15_031_230 FPL SWITCH - MOORELAND 138KV CKT 1	284.1	0.03659	108.3379	CHISHOLM6 230.00 - ELK CITY 230KV 230KV CKT 1
15G	06ALL		0	FROM->TO	G15_031_230 FPL SWITCH - MOORELAND 138KV CKT 1	284.1	0.03659	108.3379	ELK CITY 230KV (ELKCTY-6) 230/138/13.8KV TRANSFORMER CKT 1
15G	06ALL		0	FROM->TO	G15_031_230 FPL SWITCH - MOORELAND 138KV CKT 1	284.1	0.03677	104.635	G11_051T 345.00 - TATONGA7 345.00 345KV CKT 1
15G	06ALL		0	FROM->TO	G15_031_230 FPL SWITCH - MOORELAND 138KV CKT 1	284.1	0.03677	103.8606	G11_051T 345.00 - WOODWARD DISTRICT EHV 345KV CKT 1
15G	06ALL		0	FROM->TO	G15_031_230 FPL SWITCH - MOORELAND 138KV CKT 1	284.1	0.03677	102.1711	SPSCont-05ax
15G	06ALL		0	FROM->TO	G15_031_230 FPL SWITCH - MOORELAND 138KV CKT 1	284.1	0.02803	101.9958	WOODWARD (WOODWRD2) 138/69/13.2KV TRANSFORMER CKT 1
15G	06ALL		0	TO->FROM	G15_031_230 FPL SWITCH - WOODWARD 138KV CKT 1	285.2	0.04527	112.2791	DBL-THIS-WWRD
15G	06ALL		0	TO->FROM	G15_031_230 FPL SWITCH - WOODWARD 138KV CKT 1	285.2	0.03677	104.8626	NORTHWEST - TATONGA7 345.00 345KV CKT 1
15G	06ALL		0	TO->FROM	G15_031_230 FPL SWITCH - WOODWARD 138KV CKT 1	285.2	0.03677	103.3198	SPSCont-04
15G	06ALL		0	TO->FROM	G15_031_230 FPL SWITCH - WOODWARD 138KV CKT 1	285.2	0.03677	103.0743	SPSCont-05b
15G	06ALL		0	TO->FROM	G15_031_230 FPL SWITCH - WOODWARD 138KV CKT 1	285.2	0.03659	101.5736	CHISHOLM6 230.00 - ELK CITY 230KV 230KV CKT 1
15G	06ALL		0	TO->FROM	G15_031_230 FPL SWITCH - WOODWARD 138KV CKT 1	285.2	0.03659	101.5736	ELK CITY 230KV (ELKCTY-6) 230/138/13.8KV TRANSFORMER CKT 1
15SP	06ALL		0	TO->FROM	G15_031_230 GLASS MOUNTAIN - MOORELAND 138KV CKT 1	122.3	0.02055	109.2265	DBL-THIS-WWRD
20WP	06ALL		0	TO->FROM	G15_031_230 GLASS MOUNTAIN - MOORELAND 138KV CKT 1	122.3	0.0201	101.2379	DBL-THIS-WWRD
15WP	06ALL		0	TO->FROM	G15_031_230 GLASS MOUNTAIN - MOORELAND 138KV CKT 1	122.2	0.02104	100.7185	DBL-THIS-WWRD
15SP	06ALL		0	TO->FROM	G15_031_230 GLASS MOUNTAIN - MOORELAND 138KV CKT 1	122.3	0.01578	100.5086	MOORELAND - NOEL_SW 138.00 138KV CKT 1
15G	06ALL		0	FROM->TO	G15_031_230 Harrington Station East Bus - POTTER COUNTY INTERCHANGE 230KV CKT 1	346.8	0.05592	107.1944	CHERRY1 - HARRINGTON STATION 230KV CKT 1
15G	06ALL		0	FROM->TO	G15_031_230 Harrington Station East Bus - POTTER COUNTY INTERCHANGE 230KV CKT 1	346.8	0.06361	103.2907	CHERRY1 - POTTER COUNTY INTERCHANGE 230KV CKT 1
15G	06ALL		0	TO->FROM	G15_031_230 HAYS PLANT - SOUTH HAYS 115KV CKT 1	98.9	0.00598	115.3812	KNOLL 230 - POSTROCK6 230.00 230KV CKT 1
15SP	06ALL		0	FROM->TO	G15_031_230 HAYS PLANT - VINE STREET 115KV CKT 1	88	0.00573	116.8886	KNOLL 230 - POSTROCK6 230.00 230KV CKT 1
15G	06ALL		0	FROM->TO	G15_031_230 HAYS PLANT - VINE STREET 115KV CKT 1	87.9	0.00598	105.9295	KNOLL 230 - POSTROCK6 230.00 230KV CKT 1
15SP	06ALL		0	FROM->TO	G15_031_230 JERICHO (JERIC2WT) 115/69/14.4KV TRANSFORMER CKT 1	45.6	0.00652	106.6842	KIRBY SWITCHING STATION - MCCLELLAN SUB 115KV CKT 1
15SP	06ALL		0	FROM->TO	G15_031_230 JERICHO (JERIC2WT) 115/69/14.4KV TRANSFORMER CKT 1	45.9	0.00652	105.9869	KIRBY SWITCHING STATION - MCCLELLAN SUB 115KV CKT 1
15SP	06ALL		0	FROM->TO	G15_031_230 JERICHO (JERIC2WT) 115/69/14.4KV TRANSFORMER CKT 1	45.6	0.00652	105.3684	MCCLELLAN SUB - MCLEAN RURAL SUB 115KV CKT 1
15SP	06ALL		0	FROM->TO	G15_031_230 JERICHO (JERIC2WT) 115/69/14.4KV TRANSFORMER CKT 1	45.9	0.00652	104.6797	MCCLELLAN SUB - MCLEAN RURAL SUB 115KV CKT 1
15G	06ALL		0	FROM->TO	G15_031_230 JERICHO (JERIC2WT) 115/69/14.4KV TRANSFORMER CKT 1	45.7	0.00657	101.7155	KIRBY SWITCHING STATION - MCCLELLAN SUB 115KV CKT 1
15SP	06ALL		0	FROM->TO	G15_031_230 JERICHO (JERIC2WT) 115/69/14.4KV TRANSFORMER CKT 1	45.6	0.00652	101.6404	SPP-SWPS-T54
15G	06ALL		0	FROM->TO	G15_031_230 JERICHO (JERIC2WT) 115/69/14.4KV TRANSFORMER CKT 1	45.9	0.00657	101.2723	KIRBY SWITCHING STATION - MCCLELLAN SUB 115KV CKT 1
15SP	06ALL		0	FROM->TO	G15_031_230 JERICHO (JERIC2WT) 115/69/14.4KV TRANSFORMER CKT 1	45.9	0.00652	100.976	SPP-SWPS-T54
15G	06ALL		0	FROM->TO	G15_031_230 JERICHO (JERIC2WT) 115/69/14.4KV TRANSFORMER CKT 1	45.7	0.00657	100.4026	MCCLELLAN SUB - MCLEAN RURAL SUB 115KV CKT 1
15SP	06ALL		0	FROM->TO	G15_031_230 JERICHO (JERIC2WT) 115/69/14.4KV TRANSFORMER CKT 1	45.6	0.00652	100.1053	MCLEAN RURAL SUB - SHAMROCK 115KV CKT 1
25SP	00NR		0	TO->FROM	G15_031_230 LUBBOCK POWER & LIGHT-CO-OP - LUBBOCK POWER & LIGHT-SLATON 69KV CKT 1	53.5	0.00696	154.3701	LUBBOCK POWER & LIGHT-CO-OP - LUBBOCK POWER & LIGHT-WADSWORTH 69KV CKT 1
20SP	00NR		0	TO->FROM	G15_031_230 LUBBOCK POWER & LIGHT-CO-OP - LUBBOCK POWER & LIGHT-SLATON 69KV CKT 1	53.6	0.00972	138.2761	LUBBOCK POWER & LIGHT-CO-OP - LUBBOCK POWER & LIGHT-WADSWORTH 69KV CKT 1
15SP	00NR		0	TO->FROM	G15_031_230 LUBBOCK POWER & LIGHT-CO-OP - LUBBOCK POWER & LIGHT-SLATON 69KV CKT 1	53.9	0.00934	115.2171	LUBBOCK POWER & LIGHT-CO-OP - LUBBOCK POWER & LIGHT-WADSWORTH 69KV CKT 1
20WP	00NR		0	TO->FROM	G15_031_230 LUBBOCK POWER & LIGHT-CO-OP - LUBBOCK POWER & LIGHT-SLATON 69KV CKT 1	53.9	0.01592	105.5213	LUBBOCK POWER & LIGHT-CO-OP - LUBBOCK POWER & LIGHT-WADSWORTH 69KV CKT 1
25SP	00NR		0	TO->FROM	G15_031_230 LUBBOCK POWER & LIGHT-CO-OP - LUBBOCK POWER & LIGHT-WADSWORTH 69KV CKT 1	105.6	0.00688	126.7652	BASE CASE
25SP	00NR		0	TO->FROM	G15_031_230 LUBBOCK POWER & LIGHT-CO-OP - LUBBOCK POWER & LIGHT-WADSWORTH 69KV CKT 1	141.2	0.00837	125.4327	LUBBOCK POWER & LIGHT-SLATON - LUBBOCK POWER & LIGHT-SOUTHEAST 69KV CKT 1

SEASON	GROUP	SCENARIO	DIRECTION	SOURCE	MONITORED ELEMENT	RATE (MVA)	TDF	CONTINGENCY LOADING %	CONTINGENCY
25SP	00NR		0 TO->FROM	G15_031_230	LUBBOCK POWER & LIGHT-CO-OP - LUBBOCK POWER & LIGHT-WADSWORTH 69KV CKT 1	141.2	0.00916	115.9688	LUBBOCK POWER & LIGHT-SOUTHEAST - LUBBOCK SOUTH INTERCHANGE 230KV CKT 1
25SP	00NR		0 TO->FROM	G15_031_230	LUBBOCK POWER & LIGHT-CO-OP - LUBBOCK POWER & LIGHT-WADSWORTH 69KV CKT 1	141.2	0.00866	114.2337	LUBBOCK POWER & LIGHT-HOLLY GEN - LUBBOCK POWER & LIGHT-NORTHEAST 69KV CKT 1
20SP	00NR		0 TO->FROM	G15_031_230	LUBBOCK POWER & LIGHT-CO-OP - LUBBOCK POWER & LIGHT-WADSWORTH 69KV CKT 1	108	0.00954	113.5759	BASE CASE
20SP	00NR		0 TO->FROM	G15_031_230	LUBBOCK POWER & LIGHT-CO-OP - LUBBOCK POWER & LIGHT-WADSWORTH 69KV CKT 1	143	0.01153	113.328	LUBBOCK POWER & LIGHT-SLATON - LUBBOCK POWER & LIGHT-SOUTHEAST 69KV CKT 1
25SP	00NR		0 TO->FROM	G15_031_230	LUBBOCK POWER & LIGHT-CO-OP - LUBBOCK POWER & LIGHT-WADSWORTH 69KV CKT 1	141.2	0.00901	111.0503	CARLISLE INTERCHANGE - LUBBOCK POWER & LIGHT-MILWAUKEE 230KV CKT 1
25SP	00NR		0 TO->FROM	G15_031_230	LUBBOCK POWER & LIGHT-CO-OP - LUBBOCK POWER & LIGHT-WADSWORTH 69KV CKT 1	141.2	0.00901	110.9795	LUBBOCK POWER & LIGHT-MILWAUKEE (M-E C0681251) 230/69/13.5KV TRANSFORMER CKT 1
25SP	00NR		0 TO->FROM	G15_031_230	LUBBOCK POWER & LIGHT-CO-OP - LUBBOCK POWER & LIGHT-WADSWORTH 69KV CKT 1	141.2	0.00901	110.9795	SPP-SWPS-K39
15SP	00NR		0 TO->FROM	G15_031_230	LUBBOCK POWER & LIGHT-CO-OP - LUBBOCK POWER & LIGHT-WADSWORTH 69KV CKT 1	108	0.01017	109.5843	BASE CASE
25SP	00NR		0 TO->FROM	G15_031_230	LUBBOCK POWER & LIGHT-CO-OP - LUBBOCK POWER & LIGHT-WADSWORTH 69KV CKT 1	141.2	0.00713	108.7387	LUBBOCK POWER & LIGHT-OLIVER - LUBBOCK POWER & LIGHT-SOUTHEAST 69KV CKT 1
15SP	00NR		0 TO->FROM	G15_031_230	LUBBOCK POWER & LIGHT-CO-OP - LUBBOCK POWER & LIGHT-WADSWORTH 69KV CKT 1	143	0.01166	104.4741	LUBBOCK POWER & LIGHT-SLATON - LUBBOCK POWER & LIGHT-SOUTHEAST 69KV CKT 1
25SP	00NR		0 TO->FROM	G15_031_230	LUBBOCK POWER & LIGHT-CO-OP - LUBBOCK POWER & LIGHT-WADSWORTH 69KV CKT 1	141.2	0.00866	103.398	LUBBOCK POWER & LIGHT-MACKENZIE GEN - LUBBOCK POWER & LIGHT-NORTHEAST 69KV CKT 1
20SP	00NR		0 TO->FROM	G15_031_230	LUBBOCK POWER & LIGHT-CO-OP - LUBBOCK POWER & LIGHT-WADSWORTH 69KV CKT 1	143	0.01185	103.3252	LUBBOCK POWER & LIGHT-HOLLY GEN - LUBBOCK POWER & LIGHT-NORTHEAST 69KV CKT 1
20SP	00NR		0 TO->FROM	G15_031_230	LUBBOCK POWER & LIGHT-CO-OP - LUBBOCK POWER & LIGHT-WADSWORTH 69KV CKT 1	143	0.01323	103.265	LUBBOCK POWER & LIGHT-SOUTHEAST - LUBBOCK SOUTH INTERCHANGE 230KV CKT 1
25SP	00NR		0 TO->FROM	G15_031_230	LUBBOCK POWER & LIGHT-CO-OP - LUBBOCK POWER & LIGHT-WADSWORTH 69KV CKT 1	141.2	0.00773	102.7047	LUBBOCK POWER & LIGHT-SOUTHEAST (ABB 60258) 230/69/13.5KV TRANSFORMER CKT 1
25SP	00NR		0 TO->FROM	G15_031_230	LUBBOCK POWER & LIGHT-CO-OP - LUBBOCK POWER & LIGHT-WADSWORTH 69KV CKT 1	141.2	0.00768	102.1983	LUBBOCK POWER & LIGHT-SOUTHEAST (FRM WADSWRTH) 230/69/13.5KV TRANSFORMER CKT 2
25SP	00NR		0 TO->FROM	G15_031_230	LUBBOCK POWER & LIGHT-CO-OP - LUBBOCK POWER & LIGHT-WADSWORTH 69KV CKT 1	141.2	0.00719	101.5276	LUBBOCK POWER & LIGHT-CHALKER - LUBBOCK POWER & LIGHT-THOMPSON 69KV CKT 1
25SP	00NR		0 TO->FROM	G15_031_230	LUBBOCK POWER & LIGHT-CO-OP - LUBBOCK POWER & LIGHT-WADSWORTH 69KV CKT 1	141.2	0.0063	100.8428	LUBBOCK POWER & LIGHT-HOLLY GEN - LUBBOCK POWER & LIGHT-SOUTHEAST 69KV CKT 1
25SP	00NR		0 TO->FROM	G15_031_230	LUBBOCK POWER & LIGHT-CO-OP - LUBBOCK POWER & LIGHT-WADSWORTH 69KV CKT 1	141.2	0.00713	100.4525	LUBBOCK POWER & LIGHT-CHALKER - LUBBOCK POWER & LIGHT-OLIVER 69KV CKT 1
25SP	00NR		0 TO->FROM	G15_031_230	LUBBOCK POWER & LIGHT-SLATON - LUBBOCK POWER & LIGHT-SOUTHEAST 69KV CKT 1	143	0.00713	121.1462	LUBBOCK POWER & LIGHT-CO-OP - LUBBOCK POWER & LIGHT-WADSWORTH 69KV CKT 1
20SP	00NR		0 TO->FROM	G15_031_230	LUBBOCK POWER & LIGHT-SLATON - LUBBOCK POWER & LIGHT-SOUTHEAST 69KV CKT 1	142.8	0.00971	110.7934	LUBBOCK POWER & LIGHT-CO-OP - LUBBOCK POWER & LIGHT-WADSWORTH 69KV CKT 1
20SP	00NR		0 TO->FROM	G15_031_230	LUBBOCK POWER & LIGHT-SLATON - LUBBOCK POWER & LIGHT-SOUTHEAST 69KV CKT 1	142.8	0.00584	109	LUBBOCK POWER & LIGHT-OLIVER - LUBBOCK POWER & LIGHT-SOUTHEAST 69KV CKT 1
20SP	06ALL		0 TO->FROM	G15_031_230	NORGE ROAD - SOUTHWESTERN STATION 138KV CKT 1	135.7	0.01124	110.7561	SOUTHWESTERN STATION - VERDEN 138KV CKT 1
20SP	06ALL		0 TO->FROM	G15_031_230	NORGE ROAD - SOUTHWESTERN STATION 138KV CKT 1	135.7	0.01124	109.2822	NORTH 29TH CHICKASHA - VERDEN 138KV CKT 1
20SP	06ALL		0 TO->FROM	G15_031_230	NORGE ROAD - SOUTHWESTERN STATION 138KV CKT 1	135.7	0.0161	106.4716	CIMARRON - MINCO 345KV CKT 1
20SP	06ALL		0 TO->FROM	G15_031_230	NORGE ROAD - SOUTHWESTERN STATION 138KV CKT 1	135.7	0.01124	106.2609	CORNVILLE - NORTH 29TH CHICKASHA 138KV CKT 1
20SP	06ALL		0 TO->FROM	G15_031_230	NORGE ROAD - SOUTHWESTERN STATION 138KV CKT 1	135.7	0.01041	104.1297	ANADARKO - CORN TAP 138KV CKT 1
20SP	06ALL		0 TO->FROM	G15_031_230	NORGE ROAD - SOUTHWESTERN STATION 138KV CKT 1	135.7	0.0161	102.9344	GRACEMONT - MINCO 345KV CKT 1
25SP	06ALL		0 TO->FROM	G15_031_230	NORGE ROAD - SOUTHWESTERN STATION 138KV CKT 1	135.8	0.01081	100.0972	SOUTHWESTERN STATION - VERDEN 138KV CKT 1
15SP	06ALL		0 FROM->TO	G15_031_230	PRINGLE INTERCHANGE - SPEARMAN INTERCHANGE 115KV CKT 1	159.7	0.03625	103.4915	PRINGLE INTERCHANGE - SPEARMAN INTERCHANGE 115KV CKT 2
15G	06ALL		0 FROM->TO	G15_031_230	PRINGLE INTERCHANGE - SPEARMAN INTERCHANGE 115KV CKT 1	158.4	0.03495	102.2778	PRINGLE INTERCHANGE - SPEARMAN INTERCHANGE 115KV CKT 2
15G	06ALL		0 FROM->TO	G15_031_230	SHAMROCK (SHAMRCK1) 115/69/14.4KV TRANSFORMER CKT 1	66	0.01317	105.2818	CHISHOLM6 230.00 - SWEETWATER 230KV CKT 1
15G	06ALL		0 FROM->TO	G15_031_230	SHAMROCK (SHAMRCK1) 115/69/14.4KV TRANSFORMER CKT 1	66	0.01197	104.9303	HWRDWCK2 69.000 - JERICHO 69KV CKT 1
15G	06ALL		0 FROM->TO	G15_031_230	SHAMROCK (SHAMRCK1) 115/69/14.4KV TRANSFORMER CKT 1	66	0.01197	104.9303	JERICHO - KIRBY SWITCHING STATION 115KV CKT 1
15G	06ALL		0 FROM->TO	G15_031_230	SHAMROCK (SHAMRCK1) 115/69/14.4KV TRANSFORMER CKT 1	66	0.01197	104.9303	JERICHO (JERIC2WT) 115/69/14.4KV TRANSFORMER CKT 1
15G	06ALL		0 FROM->TO	G15_031_230	SHAMROCK (SHAMRCK1) 115/69/14.4KV TRANSFORMER CKT 1	66	0.01197	104.1727	CLARENDON - HWRDWCK2 69.000 69KV CKT 1
15G	06ALL		0 FROM->TO	G15_031_230	SHAMROCK (SHAMRCK1) 115/69/14.4KV TRANSFORMER CKT 1	66	0.01308	103.8788	G14-074T 345.00 - OKLAUNION 345KV CKT 1
15G	06ALL		0 FROM->TO	G15_031_230	SHAMROCK (SHAMRCK1) 115/69/14.4KV TRANSFORMER CKT 1	67.1	0.01317	103.7049	CHISHOLM6 230.00 - SWEETWATER 230KV CKT 1
15G	06ALL		0 FROM->TO	G15_031_230	SHAMROCK (SHAMRCK1) 115/69/14.4KV TRANSFORMER CKT 1	67.1	0.01197	103.3592	HWRDWCK2 69.000 - JERICHO 69KV CKT 1
15G	06ALL		0 FROM->TO	G15_031_230	SHAMROCK (SHAMRCK1) 115/69/14.4KV TRANSFORMER CKT 1	67.1	0.01197	103.3592	JERICHO - KIRBY SWITCHING STATION 115KV CKT 1
15G	06ALL		0 FROM->TO	G15_031_230	SHAMROCK (SHAMRCK1) 115/69/14.4KV TRANSFORMER CKT 1	67.1	0.01197	103.3592	JERICHO (JERIC2WT) 115/69/14.4KV TRANSFORMER CKT 1
15G	06ALL		0 FROM->TO	G15_031_230	SHAMROCK (SHAMRCK1) 115/69/14.4KV TRANSFORMER CKT 1	66	0.01317	103.0091	GRAPEVINE INTERCHANGE - STATELINE INTERCHANGE 230KV CKT 1
15G	06ALL		0 FROM->TO	G15_031_230	SHAMROCK (SHAMRCK1) 115/69/14.4KV TRANSFORMER CKT 1	66	0.01216	102.6606	CHISHOLM6 230.00 - ELK CITY 230KV 230KV CKT 1
15G	06ALL		0 FROM->TO	G15_031_230	SHAMROCK (SHAMRCK1) 115/69/14.4KV TRANSFORMER CKT 1	66	0.01216	102.6606	ELK CITY 230KV (ELKCTY-6) 230/138/13.8KV TRANSFORMER CKT 1
15G	06ALL		0 FROM->TO	G15_031_230	SHAMROCK (SHAMRCK1) 115/69/14.4KV TRANSFORMER CKT 1	67.1	0.01197	102.614	CLARENDON - HWRDWCK2 69.000 69KV CKT 1
15G	06ALL		0 FROM->TO	G15_031_230	SHAMROCK (SHAMRCK1) 115/69/14.4KV TRANSFORMER CKT 1	66	0.01254	102.5606	CHISHOLM7 345.00 - GRACEMONT 345KV CKT 1
15G	06ALL		0 FROM->TO	G15_031_230	SHAMROCK (SHAMRCK1) 115/69/14.4KV TRANSFORMER CKT 1	67.1	0.01308	102.4739	G14-074T 345.00 - OKLAUNION 345KV CKT 1

SEASON	GROUP	SCENARIO	DIRECTION	SOURCE	MONITORED ELEMENT	RATE (MVA)	TDF	CONTINGENCY LOADING %	CONTINGENCY
15G	06ALL	0	FROM->TO	G15_031_230	SHAMROCK (SHAMRCK1) 115/69/14.4KV TRANSFORMER CKT 1	67.1	0.01317	101.4694	GRAPEVINE INTERCHANGE - STATELINE INTERCHANGE 230KV CKT 1
15G	06ALL	0	FROM->TO	G15_031_230	SHAMROCK (SHAMRCK1) 115/69/14.4KV TRANSFORMER CKT 1	67.1	0.01216	101.2757	CHISHOLM6 230.00 - ELK CITY 230KV 230KV CKT 1
15G	06ALL	0	FROM->TO	G15_031_230	SHAMROCK (SHAMRCK1) 115/69/14.4KV TRANSFORMER CKT 1	66	0.01197	101.1424	CLARENDON - CLARENDON REC 69KV CKT 1
15G	06ALL	0	FROM->TO	G15_031_230	SHAMROCK (SHAMRCK1) 115/69/14.4KV TRANSFORMER CKT 1	67.1	0.01216	101.1267	ELK CITY 230KV (ELKCTY-6) 230/138/13.8KV TRANSFORMER CKT 1
15G	06ALL	0	FROM->TO	G15_031_230	SHAMROCK (SHAMRCK1) 115/69/14.4KV TRANSFORMER CKT 1	67.1	0.01254	101.0283	CHISHOLM7 345.00 - GRACEMONT 345KV CKT 1
15G	06ALL	0	FROM->TO	G15_031_230	SHAMROCK (SHAMRCK1) 115/69/14.4KV TRANSFORMER CKT 1	66	0.01308	100.5455	G14-074T 345.00 - TUCO INTERCHANGE 345KV CKT 1
20WP	06ALL	0	TO->FROM	G15_031_230	SUNSHINE CANYON - TUTTLE 138KV CKT 1	140.9	0.0211	109.0419	CIMARRON - MINCO 345KV CKT 1
20SP	06ALL	0	TO->FROM	G15_031_230	SUNSHINE CANYON - TUTTLE 138KV CKT 1	141.6	0.02212	104.6977	CIMARRON - MINCO 345KV CKT 1
20WP	06ALL	0	TO->FROM	G15_031_230	SUNSHINE CANYON - TUTTLE 138KV CKT 1	140.9	0.0211	104.3577	GRACEMONT - MINCO 345KV CKT 1
15SP	06ALL	0	TO->FROM	G15_031_230	SUNSHINE CANYON - TUTTLE 138KV CKT 1	141.6	0.02348	104.1441	CIMARRON - MINCO 345KV CKT 1
20SP	06ALL	0	TO->FROM	G15_031_230	SUNSHINE CANYON - TUTTLE 138KV CKT 1	141.6	0.02212	100.1073	GRACEMONT - MINCO 345KV CKT 1
15SP	06ALL	0	FROM->TO	G15_031_230	THOMAS TAP - WEATHERFORD 69KV CKT 1	39	0.00792	114.2205	CLINTON JUNCTION - CLINTON NATURAL GAS TAP 138KV CKT 1
15G	06ALL	0	FROM->TO	G15_031_230	TUCO INTERCHANGE (GE M1022338) 345/230/13.2KV TRANSFORMER CKT 1	555.1	0.16469	101.8707	TUCO INTERCHANGE (SIEM 8743066) 345/230/13.2KV TRANSFORMER CKT 2
15G	06ALL	0	FROM->TO	G15_031_230	TUCO INTERCHANGE (GE M1022338) 345/230/13.2KV TRANSFORMER CKT 1	557.4	0.16469	101.3965	TUCO INTERCHANGE (SIEM 8743066) 345/230/13.2KV TRANSFORMER CKT 2
15G	06ALL	0	FROM->TO	G15_031_230	WICHITA (WICH TX-12) 345/138/13.8KV TRANSFORMER CKT 1	413.2	0.01227	106.6563	WICHITA (WICH TX-11) 345/138/13.8KV TRANSFORMER CKT 1
15G	06ALL	0	FROM->TO	G15_031_230	WICHITA (WICH TX-12) 345/138/13.8KV TRANSFORMER CKT 1	419.7	0.01227	104.8854	WICHITA (WICH TX-11) 345/138/13.8KV TRANSFORMER CKT 1
15WP	06ALL	0	FROM->TO	G15_031_230	WICHITA (WICH TX-12) 345/138/13.8KV TRANSFORMER CKT 1	414.2	0.01192	102.3901	WICHITA (WICH TX-11) 345/138/13.8KV TRANSFORMER CKT 1
15WP	06ALL	0	FROM->TO	G15_031_230	WICHITA (WICH TX-12) 345/138/13.8KV TRANSFORMER CKT 1	420.2	0.01192	100.8091	WICHITA (WICH TX-11) 345/138/13.8KV TRANSFORMER CKT 1
25SP	00NR	0	FROM->TO	G15_031_230	WOLFFORTH INTERCHANGE (WH 7001668) 230/115/13.2KV TRANSFORMER CKT 1	140.3	0.02028	100.7726	CARLISLE INTERCHANGE - LP-DOUD TP 3115.00 115KV CKT 1
25SP	00NR	0	FROM->TO	G15_031_230	WOLFFORTH INTERCHANGE (WH 7001668) 230/115/13.2KV TRANSFORMER CKT 1	140.3	0.0072	100.5417	CARLISLE INTERCHANGE (CARLISLE_XF) 230/115/13.2KV TRANSFORMER CKT 1
15G	06ALL	0	FROM->TO	G15_031_230	WOODWARD (WOODWRD2) 138/69/13.2KV TRANSFORMER CKT 1	133.3	0.01039	100.018	FPL SWITCH - MOORELAND 138KV CKT 1
20SP	06ALL	2	FROM->TO	G15_031_230	ANADARKO - CORN TAP 138KV CKT 1	142.8	0.01496	100.2171	CIMARRON - MINCO 345KV CKT 1
15G	06ALL	2	TO->FROM	G15_031_230	ANADARKO - GRACMNT4 138.00 138KV CKT 1	225.1	0.0543	127.6917	CIMARRON - MINCO 345KV CKT 1
15G	06ALL	2	TO->FROM	G15_031_230	ANADARKO - GRACMNT4 138.00 138KV CKT 1	225.1	0.0543	119.5175	GRACEMONT - MINCO 345KV CKT 1
15G	06ALL	2	TO->FROM	G15_031_230	ANADARKO - GRACMNT4 138.00 138KV CKT 1	225.1	0.03062	106.9853	SOUTHWESTERN STATION - WASHITA 138KV CKT 1
15SP	06ALL	2	FROM->TO	G15_031_230	BENTLEY4 138.00 - HALSTEAD SOUTH BUS 138KV CKT 1	142.2	0.00699	108.2771	RENO COUNTY - WICHITA 345KV CKT 1
20WP	06ALL	2	FROM->TO	G15_031_230	CLEARWATER - GILL ENERGY CENTER WEST 138KV CKT 1	142.9	0.01155	119.4794	GILL ENERGY CENTER SOUTH - VIOLA 4 138.00 138KV CKT 1
20SP	06ALL	2	FROM->TO	G15_031_230	CLEARWATER - GILL ENERGY CENTER WEST 138KV CKT 1	142.2	0.01389	102.4191	GILL ENERGY CENTER SOUTH - VIOLA 4 138.00 138KV CKT 1
15SP	06ALL	2	TO->FROM	G15_031_230	CLINTON CITY - FOSS TAP 69KV CKT 1	74.5	0.00792	103.4175	CLINTON JUNCTION - CLINTON NATURAL GAS TAP 138KV CKT 1
15SP	06ALL	2	FROM->TO	G15_031_230	CLINTON CITY - THOMAS TAP 69KV CKT 1	38.9	0.00792	125.5681	CLINTON JUNCTION - CLINTON NATURAL GAS TAP 138KV CKT 1
20SP	06ALL	2	FROM->TO	G15_031_230	CLINTON CITY - THOMAS TAP 69KV CKT 1	39	0.00757	102.8974	CLINTON JUNCTION - CLINTON NATURAL GAS TAP 138KV CKT 1
15G	06ALL	2	FROM->TO	G15_031_230	CLINTON CITY - THOMAS TAP 69KV CKT 1	47.9	0.00771	101.0731	CLINTON JUNCTION - CLINTON NATURAL GAS TAP 138KV CKT 1
15SP	06ALL	2	TO->FROM	G15_031_230	CLINTON JUNCTION - ELK CITY 138KV CKT 1	148.8	0.04253	140.5685	CHISHOLM7 345.00 - GRACEMONT 345KV CKT 1
15G	06ALL	2	TO->FROM	G15_031_230	CLINTON JUNCTION - ELK CITY 138KV CKT 1	185.1	0.04112	124.0551	CHISHOLM7 345.00 - GRACEMONT 345KV CKT 1
15SP	06ALL	2	TO->FROM	G15_031_230	CLINTON JUNCTION - ELK CITY 138KV CKT 1	148.8	0.03626	122.8306	G14-074T 345.00 - OKLAUNION 345KV CKT 1
15SP	06ALL	2	TO->FROM	G15_031_230	CLINTON JUNCTION - ELK CITY 138KV CKT 1	148.8	0.02203	120.3078	ONEY - WASHITA 138KV CKT 1
15SP	06ALL	2	TO->FROM	G15_031_230	CLINTON JUNCTION - ELK CITY 138KV CKT 1	148.8	0.03626	118.7984	G14-074T 345.00 - TUCO INTERCHANGE 345KV CKT 1
15SP	06ALL	2	TO->FROM	G15_031_230	CLINTON JUNCTION - ELK CITY 138KV CKT 1	148.8	0.03245	118.0269	NORTHWEST - TATONGA7 345.00 345KV CKT 1
15SP	06ALL	2	TO->FROM	G15_031_230	CLINTON JUNCTION - ELK CITY 138KV CKT 1	148.8	0.02203	117.754	BINGER NIJCT - ONEY 138KV CKT 1
15SP	06ALL	2	TO->FROM	G15_031_230	CLINTON JUNCTION - ELK CITY 138KV CKT 1	148.8	0.03245	117.5564	SPSCont-05b
15SP	06ALL	2	TO->FROM	G15_031_230	CLINTON JUNCTION - ELK CITY 138KV CKT 1	148.8	0.03245	117.1532	SPSCont-04
15SP	06ALL	2	TO->FROM	G15_031_230	CLINTON JUNCTION - ELK CITY 138KV CKT 1	148.8	0.03305	116.9839	DBL-THIS-WWRD
15SP	06ALL	2	TO->FROM	G15_031_230	CLINTON JUNCTION - ELK CITY 138KV CKT 1	132.4	0.02859	116.0755	BASE CASE
15SP	06ALL	2	TO->FROM	G15_031_230	CLINTON JUNCTION - ELK CITY 138KV CKT 1	148.8	0.03243	115.5282	CLINTON AIR FORCE BASE TAP - ELK CITY 138KV CKT 1
15SP	06ALL	2	TO->FROM	G15_031_230	CLINTON JUNCTION - ELK CITY 138KV CKT 1	148.8	0.03554	115.3185	CHISHOLM7 345.00 - WOODWARD DISTRICT EHV 345KV CKT 1
15SP	06ALL	2	TO->FROM	G15_031_230	CLINTON JUNCTION - ELK CITY 138KV CKT 1	148.8	0.03243	114.6546	CLINTON AIR FORCE BASE TAP - HOBART JUNCTION 138KV CKT 1
15SP	06ALL	2	TO->FROM	G15_031_230	CLINTON JUNCTION - ELK CITY 138KV CKT 1	148.8	0.02203	113.5874	BINGER NIJCT - SICKLES 138KV CKT 1
15SP	06ALL	2	TO->FROM	G15_031_230	CLINTON JUNCTION - ELK CITY 138KV CKT 1	148.8	0.03245	113.457	G11_051T 345.00 - TATONGA7 345.00 345KV CKT 1
15SP	06ALL	2	TO->FROM	G15_031_230	CLINTON JUNCTION - ELK CITY 138KV CKT 1	148.8	0.02203	112.9825	CLINTON JUNCTION - G07-32T 138.00 138KV CKT 1
15SP	06ALL	2	TO->FROM	G15_031_230	CLINTON JUNCTION - ELK CITY 138KV CKT 1	148.8	0.02859	112.8253	G07-32 138.00 - G07-32T 138.00 138KV CKT 1
15SP	06ALL	2	TO->FROM	G15_031_230	CLINTON JUNCTION - ELK CITY 138KV CKT 1	148.8	0.02859	112.8253	G07-32 138.00 138/34.5KV TRANSFORMER CKT 1
15SP	06ALL	2	TO->FROM	G15_031_230	CLINTON JUNCTION - ELK CITY 138KV CKT 1	148.8	0.02859	112.8253	G07-32 34.500 34.5/12.0KV TRANSFORMER CKT 1
15SP	06ALL	2	TO->FROM	G15_031_230	CLINTON JUNCTION - ELK CITY 138KV CKT 1	148.8	0.02859	111.414	WASHITA - WEATHERFORD WIND FARM 34 KV 34.5KV CKT 1
15WP	06ALL	2	TO->FROM	G15_031_230	CLINTON JUNCTION - ELK CITY 138KV CKT 1	186.8	0.04346	111.151	CHISHOLM7 345.00 - GRACEMONT 345KV CKT 1
20SP	06ALL	2	TO->FROM	G15_031_230	CLINTON JUNCTION - ELK CITY 138KV CKT 1	151.1	0.0422	109.3726	CHISHOLM7 345.00 - GRACEMONT 345KV CKT 1
20SP	06ALL	2	TO->FROM	G15_031_230	CLINTON JUNCTION - ELK CITY 138KV CKT 1	151.1	0.02193	106.454	ONEY - WASHITA 138KV CKT 1
15G	06ALL	2	TO->FROM	G15_031_230	CLINTON JUNCTION - ELK CITY 138KV CKT 1	185.1	0.03497	105.7796	G14-074T 345.00 - OKLAUNION 345KV CKT 1
20SP	06ALL	2	TO->FROM	G15_031_230	CLINTON JUNCTION - ELK CITY 138KV CKT 1	151.1	0.02193	103.8729	BINGER NIJCT - ONEY 138KV CKT 1
20WP	06ALL	2	TO->FROM	G15_031_230	CLINTON JUNCTION - ELK CITY 138KV CKT 1	187.5	0.04162	102.7275	CHISHOLM7 345.00 - GRACEMONT 345KV CKT 1
15G	06ALL	2	TO->FROM	G15_031_230	CLINTON JUNCTION - ELK CITY 138KV CKT 1	185.1	0.03497	102.6461	G14-074T 345.00 - TUCO INTERCHANGE 345KV CKT 1
15G	06ALL	2	TO->FROM	G15_031_230	CLINTON JUNCTION - ELK CITY 138KV CKT 1	185.1	0.03139	102.3198	NORTHWEST - TATONGA7 345.00 345KV CKT 1
15G	06ALL	2	TO->FROM	G15_031_230	CLINTON JUNCTION - ELK CITY 138KV CKT 1	185.1	0.03139	101.9416	SPSCont-05b
15G	06ALL	2	TO->FROM	G15_031_230	CLINTON JUNCTION - ELK CITY 138KV CKT 1	185.1	0.03139	101.6175	SPSCont-04
15G	06ALL	2	TO->FROM	G15_031_230	CLINTON JUNCTION - ELK CITY 138KV CKT 1	185.1	0.03123	101.5051	CLINTON AIR FORCE BASE TAP - ELK CITY 138KV CKT 1

SEASON	GROUP	SCENARIO	DIRECTION	SOURCE	MONITORED ELEMENT	RATE (MVA)	TDF	CONTINGENCY LOADING %	CONTINGENCY
15G	06ALL	2	TO->FROM	G15_031_230	CLINTON JUNCTION - ELK CITY 138KV CKT 1	185.1	0.03123	100.9109	CLINTON AIR FORCE BASE TAP - HOBART JUNCTION 138KV CKT 1
15G	06ALL	2	TO->FROM	G15_031_230	CLINTON JUNCTION - ELK CITY 138KV CKT 1	185.1	0.03442	100.2247	CHISHOLM7 345.00 - WOODWARD DISTRICT EHV 345KV CKT 1
15SP	06ALL	2	FROM->TO	G15_031_230	CLINTON JUNCTION - FOSS TAP 69KV CKT 1	74.7	0.00792	104.3454	CLINTON JUNCTION - CLINTON NATURAL GAS TAP 138KV CKT 1
15SP	06ALL	2	TO->FROM	G15_031_230	COMANCHE TAP - TOSCO 69KV CKT 1	39	0.00578	103.9128	G14-057T 345.00 - SUNNYSIDE 345KV CKT 1
15SP	06ALL	2	TO->FROM	G15_031_230	COMANCHE TAP - TOSCO 69KV CKT 1	39	0.00578	101.0923	G14-057T 345.00 - LAWTON EASTSIDE 345KV CKT 1
20WP	06ALL	2	FROM->TO	G15_031_230	CORN TAP - PAYNE 138.00 138KV CKT 1	141.6	0.01809	111.2034	G14-057T 345.00 - SUNNYSIDE 345KV CKT 1
20WP	06ALL	2	FROM->TO	G15_031_230	CORN TAP - PAYNE 138.00 138KV CKT 1	141.6	0.01809	109.4378	G14-057T 345.00 - LAWTON EASTSIDE 345KV CKT 1
15WP	06ALL	2	FROM->TO	G15_031_230	CORN TAP - PAYNE 138.00 138KV CKT 1	141.4	0.01876	109.1033	G14-057T 345.00 - SUNNYSIDE 345KV CKT 1
20WP	06ALL	2	FROM->TO	G15_031_230	CORN TAP - PAYNE 138.00 138KV CKT 1	141.6	0.01839	107.5169	CIMARRON - MINCO 345KV CKT 1
15WP	06ALL	2	FROM->TO	G15_031_230	CORN TAP - PAYNE 138.00 138KV CKT 1	141.4	0.01876	107.4059	G14-057T 345.00 - LAWTON EASTSIDE 345KV CKT 1
20WP	06ALL	2	FROM->TO	G15_031_230	CORN TAP - PAYNE 138.00 138KV CKT 1	141.6	0.01434	105.822	ANADARKO - BLANCHARD 138KV CKT 1
20WP	06ALL	2	FROM->TO	G15_031_230	CORN TAP - PAYNE 138.00 138KV CKT 1	141.6	0.01839	104.4802	GRACEMONT - MINCO 345KV CKT 1
20WP	06ALL	2	FROM->TO	G15_031_230	CORN TAP - PAYNE 138.00 138KV CKT 1	141.6	0.01434	103.8446	BLANCHARD - OUSW4 138KV CKT 1
15WP	06ALL	2	FROM->TO	G15_031_230	CORN TAP - PAYNE 138.00 138KV CKT 1	141.4	0.01918	102.0679	CIMARRON - MINCO 345KV CKT 1
15WP	06ALL	2	FROM->TO	G15_031_230	CORN TAP - PAYNE 138.00 138KV CKT 1	141.4	0.01493	100.6351	ANADARKO - BLANCHARD 138KV CKT 1
15SP	06ALL	2	FROM->TO	G15_031_230	DUNCAN - TOSCO 69KV CKT 1	38.9	0.00578	108.2931	G14-057T 345.00 - SUNNYSIDE 345KV CKT 1
15SP	06ALL	2	FROM->TO	G15_031_230	DUNCAN - TOSCO 69KV CKT 1	38.9	0.00578	105.7224	G14-057T 345.00 - LAWTON EASTSIDE 345KV CKT 1
15WP	06ALL	2	FROM->TO	G15_031_230	DUNCAN - TOSCO 69KV CKT 1	47.8	0.00598	100.9331	G14-057T 345.00 - SUNNYSIDE 345KV CKT 1
20WP	06ALL	2	FROM->TO	G15_031_230	DUNCAN - TOSCO 69KV CKT 1	47.9	0.00561	100.8852	G14-057T 345.00 - SUNNYSIDE 345KV CKT 1
15SP	06ALL	2	TO->FROM	G15_031_230	EARLSBORO 4138.00 - MAUD 138KV CKT 1	97.7	0.00727	106.0778	MAUD (MAUD1) 138/69/13.2KV TRANSFORMER CKT 1
15SP	06ALL	2	TO->FROM	G15_031_230	EARLSBORO 4138.00 - MAUD 138KV CKT 1	97.7	0.00707	101.042	CANADIAN RIVER - MCALESTER SOUTH 138KV CKT 1
15SP	06ALL	2	TO->FROM	G15_031_230	EARLSBORO 4138.00 - MAUD 138KV CKT 1	97.7	0.00698	101.042	PRINGLE INTERCHANGE - SPEARMAN INTERCHANGE 115KV CKT 2
25SP	06ALL	2	FROM->TO	G15_031_230	EDDY_NORTH 6230.00 (WAUK WT01134) 230/115/13.2KV TRANSFORMER CKT 2	285	0.00478	104.9039	EDDY COUNTY INTERCHANGE - EDDY_NORTH 6230.00 230KV CKT @1
25SP	06ALL	2	FROM->TO	G15_031_230	EDDY_NORTH 6230.00 (WAUK WT01134) 230/115/13.2KV TRANSFORMER CKT 2	286.3	0.00478	104.3577	EDDY COUNTY INTERCHANGE - EDDY_NORTH 6230.00 230KV CKT @1
15G	06ALL	2	FROM->TO	G15_031_230	ELDORADO - ELDORADO JCT 69KV CKT 1	26.9	0.00812	100.8178	LAKE PAULINE - RUSSELL 138KV CKT 1
15G	06ALL	2	FROM->TO	G15_031_230	ELK CITY 230KV (ELKCTY-6) 230/138/13.8KV TRANSFORMER CKT 1	446.9	0.09582	117.0611	CHISHOLM7 345.00 - GRACEMONT 345KV CKT 1
15SP	06ALL	2	FROM->TO	G15_031_230	ELK CITY 230KV (ELKCTY-6) 230/138/13.8KV TRANSFORMER CKT 1	446.4	0.10136	117.0408	CHISHOLM7 345.00 - GRACEMONT 345KV CKT 1
15G	06ALL	2	FROM->TO	G15_031_230	ELK CITY 230KV (ELKCTY-6) 230/138/13.8KV TRANSFORMER CKT 1	449.3	0.09582	116.5248	CHISHOLM7 345.00 - GRACEMONT 345KV CKT 1
15SP	06ALL	2	FROM->TO	G15_031_230	ELK CITY 230KV (ELKCTY-6) 230/138/13.8KV TRANSFORMER CKT 1	449.3	0.10136	116.3966	CHISHOLM7 345.00 - GRACEMONT 345KV CKT 1
15WP	06ALL	2	FROM->TO	G15_031_230	ELK CITY 230KV (ELKCTY-6) 230/138/13.8KV TRANSFORMER CKT 1	447.2	0.10419	112.4481	CHISHOLM7 345.00 - GRACEMONT 345KV CKT 1
15WP	06ALL	2	FROM->TO	G15_031_230	ELK CITY 230KV (ELKCTY-6) 230/138/13.8KV TRANSFORMER CKT 1	449.3	0.10419	112.0116	CHISHOLM7 345.00 - GRACEMONT 345KV CKT 1
20WP	06ALL	2	FROM->TO	G15_031_230	ELK CITY 230KV (ELKCTY-6) 230/138/13.8KV TRANSFORMER CKT 1	448.3	0.10009	106.7816	CHISHOLM7 345.00 - GRACEMONT 345KV CKT 1
20WP	06ALL	2	FROM->TO	G15_031_230	ELK CITY 230KV (ELKCTY-6) 230/138/13.8KV TRANSFORMER CKT 1	449.7	0.10009	106.5159	CHISHOLM7 345.00 - GRACEMONT 345KV CKT 1
15SP	06ALL	2	FROM->TO	G15_031_230	ELK CITY 230KV (ELKCTY-6) 230/138/13.8KV TRANSFORMER CKT 1	446.4	0.08727	103.6456	G14-074T 345.00 - OKLAUNION 345KV CKT 1
15SP	06ALL	2	FROM->TO	G15_031_230	ELK CITY 230KV (ELKCTY-6) 230/138/13.8KV TRANSFORMER CKT 1	449.3	0.08727	103.0879	G14-074T 345.00 - OKLAUNION 345KV CKT 1
15SP	06ALL	2	FROM->TO	G15_031_230	ELK CITY 230KV (ELKCTY-6) 230/138/13.8KV TRANSFORMER CKT 1	446.4	0.09327	101.8208	CHISHOLM7 345.00 - WOODWARD DISTRICT EHV 345KV CKT 1
15SP	06ALL	2	FROM->TO	G15_031_230	ELK CITY 230KV (ELKCTY-6) 230/138/13.8KV TRANSFORMER CKT 1	449.3	0.09327	101.2526	CHISHOLM7 345.00 - WOODWARD DISTRICT EHV 345KV CKT 1
15SP	06ALL	2	FROM->TO	G15_031_230	ELK CITY 230KV (ELKCTY-6) 230/138/13.8KV TRANSFORMER CKT 1	446.4	0.08727	100.1958	G14-074T 345.00 - TUCO INTERCHANGE 345KV CKT 1
15G	06ALL	2	FROM->TO	G15_031_230	FPL SWITCH - MOORELAND 138KV CKT 1	284.1	0.04527	119.12	DBL-THIS-WWRD
15G	06ALL	2	FROM->TO	G15_031_230	FPL SWITCH - MOORELAND 138KV CKT 1	284.1	0.03677	111.6396	NORTHWEST - TATONGA7 345.00 345KV CKT 1
15G	06ALL	2	FROM->TO	G15_031_230	FPL SWITCH - MOORELAND 138KV CKT 1	284.1	0.03677	110.0908	SPSCont-04
15G	06ALL	2	FROM->TO	G15_031_230	FPL SWITCH - MOORELAND 138KV CKT 1	284.1	0.03677	109.8444	SPSCont-05b
15G	06ALL	2	FROM->TO	G15_031_230	FPL SWITCH - MOORELAND 138KV CKT 1	284.1	0.03659	108.3379	CHISHOLM6 230.00 - ELK CITY 230KV 230KV CKT 1
15G	06ALL	2	FROM->TO	G15_031_230	FPL SWITCH - MOORELAND 138KV CKT 1	284.1	0.03659	108.3379	ELK CITY 230KV (ELKCTY-6) 230/138/13.8KV TRANSFORMER CKT 1
15G	06ALL	2	FROM->TO	G15_031_230	FPL SWITCH - MOORELAND 138KV CKT 1	284.1	0.03677	104.635	G11_051T 345.00 - TATONGA7 345.00 345KV CKT 1
15G	06ALL	2	FROM->TO	G15_031_230	FPL SWITCH - MOORELAND 138KV CKT 1	284.1	0.03677	103.8606	G11_051T 345.00 - WOODWARD DISTRICT EHV 345KV CKT 1
15G	06ALL	2	FROM->TO	G15_031_230	FPL SWITCH - MOORELAND 138KV CKT 1	284.1	0.03677	102.1711	SPSCont-05ax
15G	06ALL	2	FROM->TO	G15_031_230	FPL SWITCH - MOORELAND 138KV CKT 1	284.1	0.02803	101.9958	WOODWARD (WOODWRD2) 138/69/13.2KV TRANSFORMER CKT 1
15G	06ALL	2	TO->FROM	G15_031_230	FPL SWITCH - WOODWARD 138KV CKT 1	285.2	0.04527	112.2791	DBL-THIS-WWRD
15G	06ALL	2	TO->FROM	G15_031_230	FPL SWITCH - WOODWARD 138KV CKT 1	285.2	0.03677	104.8626	NORTHWEST - TATONGA7 345.00 345KV CKT 1
15G	06ALL	2	TO->FROM	G15_031_230	FPL SWITCH - WOODWARD 138KV CKT 1	285.2	0.03677	103.3198	SPSCont-04
15G	06ALL	2	TO->FROM	G15_031_230	FPL SWITCH - WOODWARD 138KV CKT 1	285.2	0.03677	103.0743	SPSCont-05b
15G	06ALL	2	TO->FROM	G15_031_230	FPL SWITCH - WOODWARD 138KV CKT 1	285.2	0.03659	101.5736	CHISHOLM6 230.00 - ELK CITY 230KV 230KV CKT 1
15G	06ALL	2	TO->FROM	G15_031_230	FPL SWITCH - WOODWARD 138KV CKT 1	285.2	0.03659	101.5736	ELK CITY 230KV (ELKCTY-6) 230/138/13.8KV TRANSFORMER CKT 1
15SP	06ALL	2	TO->FROM	G15_031_230	GLASS MOUNTAIN - MOORELAND 138KV CKT 1	122.3	0.02055	109.2265	DBL-THIS-WWRD
20WP	06ALL	2	TO->FROM	G15_031_230	GLASS MOUNTAIN - MOORELAND 138KV CKT 1	122.3	0.0201	101.2379	DBL-THIS-WWRD
15WP	06ALL	2	TO->FROM	G15_031_230	GLASS MOUNTAIN - MOORELAND 138KV CKT 1	122.2	0.02104	100.7185	DBL-THIS-WWRD
15SP	06ALL	2	TO->FROM	G15_031_230	GLASS MOUNTAIN - MOORELAND 138KV CKT 1	122.3	0.01578	100.5086	MOORELAND - NOEL_SW 138.00 138KV CKT 1
15G	06ALL	2	FROM->TO	G15_031_230	Harrington Station East Bus - POTTER COUNTY INTERCHANGE 230KV CKT 1	346.8	0.05592	107.1944	CHERRY1 - HARRINGTON STATION 230KV CKT 1
15G	06ALL	2	FROM->TO	G15_031_230	Harrington Station East Bus - POTTER COUNTY INTERCHANGE 230KV CKT 1	346.8	0.06361	103.2907	CHERRY1 - POTTER COUNTY INTERCHANGE 230KV CKT 1
15G	06ALL	2	TO->FROM	G15_031_230	HAYS PLANT - SOUTH HAYS 115KV CKT 1	98.9	0.00598	115.3812	KNOLL 230 - POSTROCK6 230.00 230KV CKT 1
15SP	06ALL	2	FROM->TO	G15_031_230	HAYS PLANT - VINE STREET 115KV CKT 1	88	0.00573	116.8886	KNOLL 230 - POSTROCK6 230.00 230KV CKT 1
15G	06ALL	2	FROM->TO	G15_031_230	HAYS PLANT - VINE STREET 115KV CKT 1	87.9	0.00598	105.9295	KNOLL 230 - POSTROCK6 230.00 230KV CKT 1
15SP	06ALL	2	FROM->TO	G15_031_230	JERICO (JERIC2WT) 115/69/14.4KV TRANSFORMER CKT 1	45.6	0.00652	106.6842	KIRBY SWITCHING STATION - MCCLELLAN SUB 115KV CKT 1

SEASON	GROUP	SCENARIO	DIRECTION	SOURCE	MONITORED ELEMENT	RATE (MVA)	TDF	CONTINGENCY LOADING %	CONTINGENCY
15SP	06ALL	2	FROM->TO	G15_031_230	JERICHO (JERIC2WT) 115/69/14.4KV TRANSFORMER CKT 1	45.9	0.00652	105.9869	KIRBY SWITCHING STATION - MCCLELLAN SUB 115KV CKT 1
15SP	06ALL	2	FROM->TO	G15_031_230	JERICHO (JERIC2WT) 115/69/14.4KV TRANSFORMER CKT 1	45.6	0.00652	105.3684	MCCLELLAN SUB - MCLEAN RURAL SUB 115KV CKT 1
15SP	06ALL	2	FROM->TO	G15_031_230	JERICHO (JERIC2WT) 115/69/14.4KV TRANSFORMER CKT 1	45.9	0.00652	104.6797	MCCLELLAN SUB - MCLEAN RURAL SUB 115KV CKT 1
15G	06ALL	2	FROM->TO	G15_031_230	JERICHO (JERIC2WT) 115/69/14.4KV TRANSFORMER CKT 1	45.7	0.00657	101.7155	KIRBY SWITCHING STATION - MCCLELLAN SUB 115KV CKT 1
15SP	06ALL	2	FROM->TO	G15_031_230	JERICHO (JERIC2WT) 115/69/14.4KV TRANSFORMER CKT 1	45.6	0.00652	101.6404	SPP-SWPS-T54
15G	06ALL	2	FROM->TO	G15_031_230	JERICHO (JERIC2WT) 115/69/14.4KV TRANSFORMER CKT 1	45.9	0.00657	101.2723	KIRBY SWITCHING STATION - MCCLELLAN SUB 115KV CKT 1
15SP	06ALL	2	FROM->TO	G15_031_230	JERICHO (JERIC2WT) 115/69/14.4KV TRANSFORMER CKT 1	45.9	0.00652	100.976	SPP-SWPS-T54
15G	06ALL	2	FROM->TO	G15_031_230	JERICHO (JERIC2WT) 115/69/14.4KV TRANSFORMER CKT 1	45.7	0.00657	100.4026	MCCLELLAN SUB - MCLEAN RURAL SUB 115KV CKT 1
15SP	06ALL	2	FROM->TO	G15_031_230	JERICHO (JERIC2WT) 115/69/14.4KV TRANSFORMER CKT 1	45.6	0.00652	100.1053	MCLEAN RURAL SUB - SHAMROCK 115KV CKT 1
25SP	00NR	2	TO->FROM	G15_031_230	LUBBOCK POWER & LIGHT-CO-OP - LUBBOCK POWER & LIGHT-SLATON 69KV CKT 1	53.5	0.00696	154.3701	LUBBOCK POWER & LIGHT-CO-OP - LUBBOCK POWER & LIGHT-WADSWORTH 69KV CKT 1
20SP	00NR	2	TO->FROM	G15_031_230	LUBBOCK POWER & LIGHT-CO-OP - LUBBOCK POWER & LIGHT-SLATON 69KV CKT 1	53.6	0.00972	138.2761	LUBBOCK POWER & LIGHT-CO-OP - LUBBOCK POWER & LIGHT-WADSWORTH 69KV CKT 1
15SP	00NR	2	TO->FROM	G15_031_230	LUBBOCK POWER & LIGHT-CO-OP - LUBBOCK POWER & LIGHT-SLATON 69KV CKT 1	53.9	0.00934	115.2171	LUBBOCK POWER & LIGHT-CO-OP - LUBBOCK POWER & LIGHT-WADSWORTH 69KV CKT 1
20WP	00NR	2	TO->FROM	G15_031_230	LUBBOCK POWER & LIGHT-CO-OP - LUBBOCK POWER & LIGHT-SLATON 69KV CKT 1	53.9	0.01592	105.5213	LUBBOCK POWER & LIGHT-CO-OP - LUBBOCK POWER & LIGHT-WADSWORTH 69KV CKT 1
25SP	00NR	2	TO->FROM	G15_031_230	LUBBOCK POWER & LIGHT-CO-OP - LUBBOCK POWER & LIGHT-WADSWORTH 69KV CKT 1	105.6	0.00688	126.7652	BASE CASE
25SP	00NR	2	TO->FROM	G15_031_230	LUBBOCK POWER & LIGHT-CO-OP - LUBBOCK POWER & LIGHT-WADSWORTH 69KV CKT 1	141.2	0.00837	125.4327	LUBBOCK POWER & LIGHT-SLATON - LUBBOCK POWER & LIGHT-SOUTHEAST 69KV CKT 1
25SP	00NR	2	TO->FROM	G15_031_230	LUBBOCK POWER & LIGHT-CO-OP - LUBBOCK POWER & LIGHT-WADSWORTH 69KV CKT 1	141.2	0.00916	115.9688	LUBBOCK POWER & LIGHT-SOUTHEAST - LUBBOCK SOUTH INTERCHANGE 230KV CKT 1
25SP	00NR	2	TO->FROM	G15_031_230	LUBBOCK POWER & LIGHT-CO-OP - LUBBOCK POWER & LIGHT-WADSWORTH 69KV CKT 1	141.2	0.00866	114.2337	LUBBOCK POWER & LIGHT-HOLLY GEN - LUBBOCK POWER & LIGHT-NORTHEAST 69KV CKT 1
20SP	00NR	2	TO->FROM	G15_031_230	LUBBOCK POWER & LIGHT-CO-OP - LUBBOCK POWER & LIGHT-WADSWORTH 69KV CKT 1	108	0.00954	113.5759	BASE CASE
20SP	00NR	2	TO->FROM	G15_031_230	LUBBOCK POWER & LIGHT-CO-OP - LUBBOCK POWER & LIGHT-WADSWORTH 69KV CKT 1	143	0.01153	113.328	LUBBOCK POWER & LIGHT-SLATON - LUBBOCK POWER & LIGHT-SOUTHEAST 69KV CKT 1
25SP	00NR	2	TO->FROM	G15_031_230	LUBBOCK POWER & LIGHT-CO-OP - LUBBOCK POWER & LIGHT-WADSWORTH 69KV CKT 1	141.2	0.00901	111.0503	CARLISLE INTERCHANGE - LUBBOCK POWER & LIGHT-MILWAUKEE 230KV CKT 1
25SP	00NR	2	TO->FROM	G15_031_230	LUBBOCK POWER & LIGHT-CO-OP - LUBBOCK POWER & LIGHT-WADSWORTH 69KV CKT 1	141.2	0.00901	110.9795	LUBBOCK POWER & LIGHT-MILWAUKEE (M-E C0681251) 230/69/13.5KV TRANSFORMER CKT 1
25SP	00NR	2	TO->FROM	G15_031_230	LUBBOCK POWER & LIGHT-CO-OP - LUBBOCK POWER & LIGHT-WADSWORTH 69KV CKT 1	141.2	0.00901	110.9795	SPP-SWPS-K39
15SP	00NR	2	TO->FROM	G15_031_230	LUBBOCK POWER & LIGHT-CO-OP - LUBBOCK POWER & LIGHT-WADSWORTH 69KV CKT 1	108	0.01017	109.5843	BASE CASE
25SP	00NR	2	TO->FROM	G15_031_230	LUBBOCK POWER & LIGHT-CO-OP - LUBBOCK POWER & LIGHT-WADSWORTH 69KV CKT 1	141.2	0.00713	108.7387	LUBBOCK POWER & LIGHT-OLIVER - LUBBOCK POWER & LIGHT-SOUTHEAST 69KV CKT 1
15SP	00NR	2	TO->FROM	G15_031_230	LUBBOCK POWER & LIGHT-CO-OP - LUBBOCK POWER & LIGHT-WADSWORTH 69KV CKT 1	143	0.01166	104.4741	LUBBOCK POWER & LIGHT-SLATON - LUBBOCK POWER & LIGHT-SOUTHEAST 69KV CKT 1
25SP	00NR	2	TO->FROM	G15_031_230	LUBBOCK POWER & LIGHT-CO-OP - LUBBOCK POWER & LIGHT-WADSWORTH 69KV CKT 1	141.2	0.00866	103.398	LUBBOCK POWER & LIGHT-MACKENZIE GEN - LUBBOCK POWER & LIGHT-NORTHEAST 69KV CKT 1
20SP	00NR	2	TO->FROM	G15_031_230	LUBBOCK POWER & LIGHT-CO-OP - LUBBOCK POWER & LIGHT-WADSWORTH 69KV CKT 1	143	0.01185	103.3252	LUBBOCK POWER & LIGHT-HOLLY GEN - LUBBOCK POWER & LIGHT-NORTHEAST 69KV CKT 1
20SP	00NR	2	TO->FROM	G15_031_230	LUBBOCK POWER & LIGHT-CO-OP - LUBBOCK POWER & LIGHT-WADSWORTH 69KV CKT 1	143	0.01323	103.265	LUBBOCK POWER & LIGHT-SOUTHEAST - LUBBOCK SOUTH INTERCHANGE 230KV CKT 1
25SP	00NR	2	TO->FROM	G15_031_230	LUBBOCK POWER & LIGHT-CO-OP - LUBBOCK POWER & LIGHT-WADSWORTH 69KV CKT 1	141.2	0.00773	102.7047	LUBBOCK POWER & LIGHT-SOUTHEAST (ABB 60258) 230/69/13.5KV TRANSFORMER CKT 1
25SP	00NR	2	TO->FROM	G15_031_230	LUBBOCK POWER & LIGHT-CO-OP - LUBBOCK POWER & LIGHT-WADSWORTH 69KV CKT 1	141.2	0.00768	102.1983	LUBBOCK POWER & LIGHT-SOUTHEAST (FRM WADSWRTH) 230/69/13.5KV TRANSFORMER CKT 2
25SP	00NR	2	TO->FROM	G15_031_230	LUBBOCK POWER & LIGHT-CO-OP - LUBBOCK POWER & LIGHT-WADSWORTH 69KV CKT 1	141.2	0.00719	101.5276	LUBBOCK POWER & LIGHT-CHALKER - LUBBOCK POWER & LIGHT-THOMPSON 69KV CKT 1
25SP	00NR	2	TO->FROM	G15_031_230	LUBBOCK POWER & LIGHT-CO-OP - LUBBOCK POWER & LIGHT-WADSWORTH 69KV CKT 1	141.2	0.0063	100.8428	LUBBOCK POWER & LIGHT-HOLLY GEN - LUBBOCK POWER & LIGHT-SOUTHEAST 69KV CKT 1
25SP	00NR	2	TO->FROM	G15_031_230	LUBBOCK POWER & LIGHT-CO-OP - LUBBOCK POWER & LIGHT-WADSWORTH 69KV CKT 1	141.2	0.00713	100.4525	LUBBOCK POWER & LIGHT-CHALKER - LUBBOCK POWER & LIGHT-OLIVER 69KV CKT 1
25SP	00NR	2	TO->FROM	G15_031_230	LUBBOCK POWER & LIGHT-SLATON - LUBBOCK POWER & LIGHT-SOUTHEAST 69KV CKT 1	143	0.00713	121.1462	LUBBOCK POWER & LIGHT-CO-OP - LUBBOCK POWER & LIGHT-WADSWORTH 69KV CKT 1
20SP	00NR	2	TO->FROM	G15_031_230	LUBBOCK POWER & LIGHT-SLATON - LUBBOCK POWER & LIGHT-SOUTHEAST 69KV CKT 1	142.8	0.00971	110.7934	LUBBOCK POWER & LIGHT-CO-OP - LUBBOCK POWER & LIGHT-WADSWORTH 69KV CKT 1
20SP	00NR	2	TO->FROM	G15_031_230	LUBBOCK POWER & LIGHT-SLATON - LUBBOCK POWER & LIGHT-SOUTHEAST 69KV CKT 1	142.8	0.00584	109	LUBBOCK POWER & LIGHT-OLIVER - LUBBOCK POWER & LIGHT-SOUTHEAST 69KV CKT 1
20SP	06ALL	2	TO->FROM	G15_031_230	NORGE ROAD - SOUTHWESTERN STATION 138KV CKT 1	135.7	0.01124	110.7561	SOUTHWESTERN STATION - VERDEN 138KV CKT 1
20SP	06ALL	2	TO->FROM	G15_031_230	NORGE ROAD - SOUTHWESTERN STATION 138KV CKT 1	135.7	0.01124	109.2822	NORTH 29TH CHICKASHA - VERDEN 138KV CKT 1
20SP	06ALL	2	TO->FROM	G15_031_230	NORGE ROAD - SOUTHWESTERN STATION 138KV CKT 1	135.7	0.0161	106.4716	CIMARRON - MINCO 345KV CKT 1
20SP	06ALL	2	TO->FROM	G15_031_230	NORGE ROAD - SOUTHWESTERN STATION 138KV CKT 1	135.7	0.01124	106.2609	CORNVILLE - NORTH 29TH CHICKASHA 138KV CKT 1
20SP	06ALL	2	TO->FROM	G15_031_230	NORGE ROAD - SOUTHWESTERN STATION 138KV CKT 1	135.7	0.01041	104.1297	ANADARKO - CORN TAP 138KV CKT 1

SEASON	GROUP	SCENARIO	DIRECTION	SOURCE	MONITORED ELEMENT	RATE (MVA)	TDF	CONTINGENCY LOADING %	CONTINGENCY
20SP	06ALL	2	TO->FROM	G15_031_230	NORGE ROAD - SOUTHWESTERN STATION 138KV CKT 1	135.7	0.0161	102.9344	GRACEMONT - MINCO 345KV CKT 1
25SP	06ALL	2	TO->FROM	G15_031_230	NORGE ROAD - SOUTHWESTERN STATION 138KV CKT 1	135.8	0.01081	100.0972	SOUTHWESTERN STATION - VERDEN 138KV CKT 1
15SP	06ALL	2	FROM->TO	G15_031_230	PRINGLE INTERCHANGE - SPEARMAN INTERCHANGE 115KV CKT 1	159.7	0.03625	103.4915	PRINGLE INTERCHANGE - SPEARMAN INTERCHANGE 115KV CKT 2
15G	06ALL	2	FROM->TO	G15_031_230	PRINGLE INTERCHANGE - SPEARMAN INTERCHANGE 115KV CKT 1	158.4	0.03495	102.2778	PRINGLE INTERCHANGE - SPEARMAN INTERCHANGE 115KV CKT 2
15G	06ALL	2	FROM->TO	G15_031_230	SHAMROCK (SHAMRCK1) 115/69/14.4KV TRANSFORMER CKT 1	66	0.01317	105.2818	CHISHOLM6 230.00 - SWEETWATER 230KV CKT 1
15G	06ALL	2	FROM->TO	G15_031_230	SHAMROCK (SHAMRCK1) 115/69/14.4KV TRANSFORMER CKT 1	66	0.01197	104.9303	HWRDWCK2 69.000 - JERICHO 69KV CKT 1
15G	06ALL	2	FROM->TO	G15_031_230	SHAMROCK (SHAMRCK1) 115/69/14.4KV TRANSFORMER CKT 1	66	0.01197	104.9303	JERICHO - KIRBY SWITCHING STATION 115KV CKT 1
15G	06ALL	2	FROM->TO	G15_031_230	SHAMROCK (SHAMRCK1) 115/69/14.4KV TRANSFORMER CKT 1	66	0.01197	104.9303	JERICHO (JERIC2WT) 115/69/14.4KV TRANSFORMER CKT 1
15G	06ALL	2	FROM->TO	G15_031_230	SHAMROCK (SHAMRCK1) 115/69/14.4KV TRANSFORMER CKT 1	66	0.01197	104.1727	CLARENDON - HWRDWCK2 69.000 69KV CKT 1
15G	06ALL	2	FROM->TO	G15_031_230	SHAMROCK (SHAMRCK1) 115/69/14.4KV TRANSFORMER CKT 1	66	0.01308	103.8788	G14-074T 345.00 - OKLAUNION 345KV CKT 1
15G	06ALL	2	FROM->TO	G15_031_230	SHAMROCK (SHAMRCK1) 115/69/14.4KV TRANSFORMER CKT 1	67.1	0.01317	103.7049	CHISHOLM6 230.00 - SWEETWATER 230KV CKT 1
15G	06ALL	2	FROM->TO	G15_031_230	SHAMROCK (SHAMRCK1) 115/69/14.4KV TRANSFORMER CKT 1	67.1	0.01197	103.3592	HWRDWCK2 69.000 - JERICHO 69KV CKT 1
15G	06ALL	2	FROM->TO	G15_031_230	SHAMROCK (SHAMRCK1) 115/69/14.4KV TRANSFORMER CKT 1	67.1	0.01197	103.3592	JERICHO - KIRBY SWITCHING STATION 115KV CKT 1
15G	06ALL	2	FROM->TO	G15_031_230	SHAMROCK (SHAMRCK1) 115/69/14.4KV TRANSFORMER CKT 1	67.1	0.01197	103.3592	JERICHO (JERIC2WT) 115/69/14.4KV TRANSFORMER CKT 1
15G	06ALL	2	FROM->TO	G15_031_230	SHAMROCK (SHAMRCK1) 115/69/14.4KV TRANSFORMER CKT 1	66	0.01317	103.0091	GRAPEVINE INTERCHANGE - STATELINE INTERCHANGE 230KV CKT 1
15G	06ALL	2	FROM->TO	G15_031_230	SHAMROCK (SHAMRCK1) 115/69/14.4KV TRANSFORMER CKT 1	66	0.01216	102.6606	CHISHOLM6 230.00 - ELK CITY 230KV 230KV CKT 1
15G	06ALL	2	FROM->TO	G15_031_230	SHAMROCK (SHAMRCK1) 115/69/14.4KV TRANSFORMER CKT 1	66	0.01216	102.6606	ELK CITY 230KV (ELKCTY-6) 230/138/13.8KV TRANSFORMER CKT 1
15G	06ALL	2	FROM->TO	G15_031_230	SHAMROCK (SHAMRCK1) 115/69/14.4KV TRANSFORMER CKT 1	67.1	0.01197	102.614	CLARENDON - HWRDWCK2 69.000 69KV CKT 1
15G	06ALL	2	FROM->TO	G15_031_230	SHAMROCK (SHAMRCK1) 115/69/14.4KV TRANSFORMER CKT 1	66	0.01254	102.5606	CHISHOLM7 345.00 - GRACEMONT 345KV CKT 1
15G	06ALL	2	FROM->TO	G15_031_230	SHAMROCK (SHAMRCK1) 115/69/14.4KV TRANSFORMER CKT 1	67.1	0.01308	102.4739	G14-074T 345.00 - OKLAUNION 345KV CKT 1
15G	06ALL	2	FROM->TO	G15_031_230	SHAMROCK (SHAMRCK1) 115/69/14.4KV TRANSFORMER CKT 1	67.1	0.01317	101.4694	GRAPEVINE INTERCHANGE - STATELINE INTERCHANGE 230KV CKT 1
15G	06ALL	2	FROM->TO	G15_031_230	SHAMROCK (SHAMRCK1) 115/69/14.4KV TRANSFORMER CKT 1	67.1	0.01216	101.2757	CHISHOLM6 230.00 - ELK CITY 230KV 230KV CKT 1
15G	06ALL	2	FROM->TO	G15_031_230	SHAMROCK (SHAMRCK1) 115/69/14.4KV TRANSFORMER CKT 1	66	0.01197	101.1424	CLARENDON - CLARENDON REC 69KV CKT 1
15G	06ALL	2	FROM->TO	G15_031_230	SHAMROCK (SHAMRCK1) 115/69/14.4KV TRANSFORMER CKT 1	67.1	0.01216	101.1267	ELK CITY 230KV (ELKCTY-6) 230/138/13.8KV TRANSFORMER CKT 1
15G	06ALL	2	FROM->TO	G15_031_230	SHAMROCK (SHAMRCK1) 115/69/14.4KV TRANSFORMER CKT 1	67.1	0.01254	101.0283	CHISHOLM7 345.00 - GRACEMONT 345KV CKT 1
15G	06ALL	2	FROM->TO	G15_031_230	SHAMROCK (SHAMRCK1) 115/69/14.4KV TRANSFORMER CKT 1	66	0.01308	100.5455	G14-074T 345.00 - TUCO INTERCHANGE 345KV CKT 1
20WP	06ALL	2	TO->FROM	G15_031_230	SUNSHINE CANYON - TUTTLE 138KV CKT 1	140.9	0.0211	109.0419	CIMARRON - MINCO 345KV CKT 1
20SP	06ALL	2	TO->FROM	G15_031_230	SUNSHINE CANYON - TUTTLE 138KV CKT 1	141.6	0.02212	104.6977	CIMARRON - MINCO 345KV CKT 1
20WP	06ALL	2	TO->FROM	G15_031_230	SUNSHINE CANYON - TUTTLE 138KV CKT 1	140.9	0.0211	104.3577	GRACEMONT - MINCO 345KV CKT 1
15SP	06ALL	2	TO->FROM	G15_031_230	SUNSHINE CANYON - TUTTLE 138KV CKT 1	141.6	0.02348	104.1441	CIMARRON - MINCO 345KV CKT 1
20SP	06ALL	2	TO->FROM	G15_031_230	SUNSHINE CANYON - TUTTLE 138KV CKT 1	141.6	0.02212	100.1073	GRACEMONT - MINCO 345KV CKT 1
15SP	06ALL	2	FROM->TO	G15_031_230	THOMAS TAP - WEATHERFORD 69KV CKT 1	39	0.00792	114.2205	CLINTON JUNCTION - CLINTON NATURAL GAS TAP 138KV CKT 1
15G	06ALL	2	FROM->TO	G15_031_230	TUCO INTERCHANGE (GE M1022338) 345/230/13.2KV TRANSFORMER CKT 1	555.1	0.16469	101.8707	TUCO INTERCHANGE (SIEM 8743066) 345/230/13.2KV TRANSFORMER CKT 2
15G	06ALL	2	FROM->TO	G15_031_230	TUCO INTERCHANGE (GE M1022338) 345/230/13.2KV TRANSFORMER CKT 1	557.4	0.16469	101.3965	TUCO INTERCHANGE (SIEM 8743066) 345/230/13.2KV TRANSFORMER CKT 2
15G	06ALL	2	FROM->TO	G15_031_230	WICHITA (WICH TX-12) 345/138/13.8KV TRANSFORMER CKT 1	413.2	0.01227	106.6563	WICHITA (WICH TX-11) 345/138/13.8KV TRANSFORMER CKT 1
15G	06ALL	2	FROM->TO	G15_031_230	WICHITA (WICH TX-12) 345/138/13.8KV TRANSFORMER CKT 1	419.7	0.01227	104.8854	WICHITA (WICH TX-11) 345/138/13.8KV TRANSFORMER CKT 1
15WP	06ALL	2	FROM->TO	G15_031_230	WICHITA (WICH TX-12) 345/138/13.8KV TRANSFORMER CKT 1	414.2	0.01192	102.3901	WICHITA (WICH TX-11) 345/138/13.8KV TRANSFORMER CKT 1
15WP	06ALL	2	FROM->TO	G15_031_230	WICHITA (WICH TX-12) 345/138/13.8KV TRANSFORMER CKT 1	420.2	0.01192	100.8091	WICHITA (WICH TX-11) 345/138/13.8KV TRANSFORMER CKT 1
25SP	00NR	2	FROM->TO	G15_031_230	WOLFFORTH INTERCHANGE (WH 7001668) 230/115/13.2KV TRANSFORMER CKT 1	140.3	0.02028	100.7726	CARLISLE INTERCHANGE - LP-DOUD_TP 3115.00 115KV CKT 1
25SP	00NR	2	FROM->TO	G15_031_230	WOLFFORTH INTERCHANGE (WH 7001668) 230/115/13.2KV TRANSFORMER CKT 1	140.3	0.0072	100.5417	CARLISLE INTERCHANGE (CARLISLE_XF) 230/115/13.2KV TRANSFORMER CKT 1
15G	06ALL	2	FROM->TO	G15_031_230	WOODWARD (WOODWRD2) 138/69/13.2KV TRANSFORMER CKT 1	133.3	0.01039	100.018	FPL SWITCH - MOORELAND 138KV CKT 1
20SP	06ALL	3	FROM->TO	G15_031_230	ANADARKO - CORN TAP 138KV CKT 1	142.8	0.015	100.2297	CIMARRON - MINCO 345KV CKT 1
15G	06ALL	3	TO->FROM	G15_031_230	ANADARKO - GRACMNT4 138.00 138KV CKT 1	225.1	0.05443	127.8099	CIMARRON - MINCO 345KV CKT 1
15G	06ALL	3	TO->FROM	G15_031_230	ANADARKO - GRACMNT4 138.00 138KV CKT 1	225.1	0.05443	119.6357	GRACEMONT - MINCO 345KV CKT 1
15G	06ALL	3	TO->FROM	G15_031_230	ANADARKO - GRACMNT4 138.00 138KV CKT 1	225.1	0.03067	107.0404	SOUTHWESTERN STATION - WASHITA 138KV CKT 1
15SP	06ALL	3	FROM->TO	G15_031_230	BENTLEY4 138.00 - HALSTEAD SOUTH BUS 138KV CKT 1	142.2	0.00701	108.2813	RENO COUNTY - WICHITA 345KV CKT 1
20WP	06ALL	3	FROM->TO	G15_031_230	CLEARWATER - GILL ENERGY CENTER WEST 138KV CKT 1	142.9	0.01154	119.4794	GILL ENERGY CENTER SOUTH - VIOLA 4 138.00 138KV CKT 1
20SP	06ALL	3	FROM->TO	G15_031_230	CLEARWATER - GILL ENERGY CENTER WEST 138KV CKT 1	142.3	0.01388	102.3471	GILL ENERGY CENTER SOUTH - VIOLA 4 138.00 138KV CKT 1
15SP	06ALL	3	TO->FROM	G15_031_230	CLINTON CITY - FOSS TAP 69KV CKT 1	74.5	0.00792	103.4175	CLINTON JUNCTION - CLINTON NATURAL GAS TAP 138KV CKT 1
15SP	06ALL	3	FROM->TO	G15_031_230	CLINTON CITY - THOMAS TAP 69KV CKT 1	38.9	0.00792	125.5681	CLINTON JUNCTION - CLINTON NATURAL GAS TAP 138KV CKT 1
20SP	06ALL	3	FROM->TO	G15_031_230	CLINTON CITY - THOMAS TAP 69KV CKT 1	39	0.00757	102.8974	CLINTON JUNCTION - CLINTON NATURAL GAS TAP 138KV CKT 1
15G	06ALL	3	FROM->TO	G15_031_230	CLINTON CITY - THOMAS TAP 69KV CKT 1	47.9	0.00771	101.0731	CLINTON JUNCTION - CLINTON NATURAL GAS TAP 138KV CKT 1
15SP	06ALL	3	TO->FROM	G15_031_230	CLINTON JUNCTION - ELK CITY 138KV CKT 1	148.8	0.0425	140.4933	CHISHOLM7 345.00 - GRACEMONT 345KV CKT 1
15G	06ALL	3	TO->FROM	G15_031_230	CLINTON JUNCTION - ELK CITY 138KV CKT 1	185.1	0.04109	124.0454	CHISHOLM7 345.00 - GRACEMONT 345KV CKT 1
15SP	06ALL	3	TO->FROM	G15_031_230	CLINTON JUNCTION - ELK CITY 138KV CKT 1	148.8	0.03628	122.8387	G14-074T 345.00 - OKLAUNION 345KV CKT 1
15SP	06ALL	3	TO->FROM	G15_031_230	CLINTON JUNCTION - ELK CITY 138KV CKT 1	148.8	0.02202	120.3038	ONEY - WASHITA 138KV CKT 1
15SP	06ALL	3	TO->FROM	G15_031_230	CLINTON JUNCTION - ELK CITY 138KV CKT 1	148.8	0.03628	118.8065	G14-074T 345.00 - TUCO INTERCHANGE 345KV CKT 1
15SP	06ALL	3	TO->FROM	G15_031_230	CLINTON JUNCTION - ELK CITY 138KV CKT 1	148.8	0.03241	118.0148	NORTHWEST - TATONGA7 345.00 345KV CKT 1
15SP	06ALL	3	TO->FROM	G15_031_230	CLINTON JUNCTION - ELK CITY 138KV CKT 1	148.8	0.02202	117.75	BINGER NIJCT - ONEY 138KV CKT 1
15SP	06ALL	3	TO->FROM	G15_031_230	CLINTON JUNCTION - ELK CITY 138KV CKT 1	148.8	0.03241	117.5443	SPSCont-05b
15SP	06ALL	3	TO->FROM	G15_031_230	CLINTON JUNCTION - ELK CITY 138KV CKT 1	148.8	0.03241	117.1411	SPSCont-04
15SP	06ALL	3	TO->FROM	G15_031_230	CLINTON JUNCTION - ELK CITY 138KV CKT 1	148.8	0.03302	116.9046	DBL-THIS-WWRD
15SP	06ALL	3	TO->FROM	G15_031_230	CLINTON JUNCTION - ELK CITY 138KV CKT 1	132.4	0.02856	115.9909	BASE CASE
15SP	06ALL	3	TO->FROM	G15_031_230	CLINTON JUNCTION - ELK CITY 138KV CKT 1	148.8	0.03239	115.5161	CLINTON AIR FORCE BASE TAP - ELK CITY 138KV CKT 1

SEASON	GROUP	SCENARIO	DIRECTION	SOURCE	MONITORED ELEMENT	RATE (MVA)	TDF	CONTINGENCY LOADING %	CONTINGENCY
15SP	06ALL		3	TO->FROM	G15_031_230 CLINTON JUNCTION - ELK CITY 138KV CKT 1	148.8	0.03555	115.3185	CHISHOLM7 345.00 - WOODWARD DISTRICT EHV 345KV CKT 1
15SP	06ALL		3	TO->FROM	G15_031_230 CLINTON JUNCTION - ELK CITY 138KV CKT 1	148.8	0.03239	114.5753	CLINTON AIR FORCE BASE TAP - HOBART JUNCTION 138KV CKT 1
15SP	06ALL		3	TO->FROM	G15_031_230 CLINTON JUNCTION - ELK CITY 138KV CKT 1	148.8	0.02202	113.5833	BINGER NUJECT - SICKLES 138KV CKT 1
15SP	06ALL		3	TO->FROM	G15_031_230 CLINTON JUNCTION - ELK CITY 138KV CKT 1	148.8	0.03241	113.4449	G11_051T 345.00 - TATONGA7 345.00 345KV CKT 1
15SP	06ALL		3	TO->FROM	G15_031_230 CLINTON JUNCTION - ELK CITY 138KV CKT 1	148.8	0.02202	112.9113	CLINTON JUNCTION - G07-32T 138.00 138KV CKT 1
15SP	06ALL		3	TO->FROM	G15_031_230 CLINTON JUNCTION - ELK CITY 138KV CKT 1	148.8	0.02856	112.8172	G07-32 34.500 34.5/12.0KV TRANSFORMER CKT 1
15SP	06ALL		3	TO->FROM	G15_031_230 CLINTON JUNCTION - ELK CITY 138KV CKT 1	148.8	0.02856	112.75	G07-32 138.00 - G07-32T 138.00 138KV CKT 1
15SP	06ALL		3	TO->FROM	G15_031_230 CLINTON JUNCTION - ELK CITY 138KV CKT 1	148.8	0.02856	112.75	G07-32 138.00 138/34.5KV TRANSFORMER CKT 1
15SP	06ALL		3	TO->FROM	G15_031_230 CLINTON JUNCTION - ELK CITY 138KV CKT 1	148.8	0.02856	111.4059	WASHITA - WEATHERFORD WIND FARM 34 KV 34.5KV CKT 1
15WP	06ALL		3	TO->FROM	G15_031_230 CLINTON JUNCTION - ELK CITY 138KV CKT 1	186.8	0.04343	111.091	CHISHOLM7 345.00 - GRACEMONT 345KV CKT 1
20SP	06ALL		3	TO->FROM	G15_031_230 CLINTON JUNCTION - ELK CITY 138KV CKT 1	151.1	0.04217	109.3647	CHISHOLM7 345.00 - GRACEMONT 345KV CKT 1
20SP	06ALL		3	TO->FROM	G15_031_230 CLINTON JUNCTION - ELK CITY 138KV CKT 1	151.1	0.02193	106.45	ONEY - WASHITA 138KV CKT 1
15G	06ALL		3	TO->FROM	G15_031_230 CLINTON JUNCTION - ELK CITY 138KV CKT 1	185.1	0.035	105.7861	G14-074T 345.00 - OKLAUNION 345KV CKT 1
20SP	06ALL		3	TO->FROM	G15_031_230 CLINTON JUNCTION - ELK CITY 138KV CKT 1	151.1	0.02193	103.869	BINGER NUJECT - ONEY 138KV CKT 1
15G	06ALL		3	TO->FROM	G15_031_230 CLINTON JUNCTION - ELK CITY 138KV CKT 1	185.1	0.035	102.7066	G14-074T 345.00 - TUCO INTERCHANGE 345KV CKT 1
20WP	06ALL		3	TO->FROM	G15_031_230 CLINTON JUNCTION - ELK CITY 138KV CKT 1	187.5	0.04159	102.6677	CHISHOLM7 345.00 - GRACEMONT 345KV CKT 1
15G	06ALL		3	TO->FROM	G15_031_230 CLINTON JUNCTION - ELK CITY 138KV CKT 1	185.1	0.03135	102.3069	NORTHWEST - TATONGA7 345.00 345KV CKT 1
15G	06ALL		3	TO->FROM	G15_031_230 CLINTON JUNCTION - ELK CITY 138KV CKT 1	185.1	0.03135	101.9287	SPSCont-05b
15G	06ALL		3	TO->FROM	G15_031_230 CLINTON JUNCTION - ELK CITY 138KV CKT 1	185.1	0.03135	101.6045	SPSCont-04
15G	06ALL		3	TO->FROM	G15_031_230 CLINTON JUNCTION - ELK CITY 138KV CKT 1	185.1	0.0312	101.4954	CLINTON AIR FORCE BASE TAP - ELK CITY 138KV CKT 1
15G	06ALL		3	TO->FROM	G15_031_230 CLINTON JUNCTION - ELK CITY 138KV CKT 1	185.1	0.0312	100.8471	CLINTON AIR FORCE BASE TAP - HOBART JUNCTION 138KV CKT 1
15G	06ALL		3	TO->FROM	G15_031_230 CLINTON JUNCTION - ELK CITY 138KV CKT 1	185.1	0.03443	100.282	CHISHOLM7 345.00 - WOODWARD DISTRICT EHV 345KV CKT 1
15SP	06ALL		3	FROM->TO	G15_031_230 CLINTON JUNCTION - FOSS TAP 69KV CKT 1	74.7	0.00792	104.3454	CLINTON JUNCTION - CLINTON NATURAL GAS TAP 138KV CKT 1
15SP	06ALL		3	TO->FROM	G15_031_230 COMANCHE TAP - TOSCO 69KV CKT 1	39	0.0058	103.9436	G14-057T 345.00 - SUNNYSIDE 345KV CKT 1
15SP	06ALL		3	TO->FROM	G15_031_230 COMANCHE TAP - TOSCO 69KV CKT 1	39	0.0058	101.1231	G14-057T 345.00 - LAWTON EASTSIDE 345KV CKT 1
20WP	06ALL		3	FROM->TO	G15_031_230 CORN TAP - PAYNE 138.00 138KV CKT 1	141.6	0.01813	111.2203	G14-057T 345.00 - SUNNYSIDE 345KV CKT 1
20WP	06ALL		3	FROM->TO	G15_031_230 CORN TAP - PAYNE 138.00 138KV CKT 1	141.6	0.01813	109.4548	G14-057T 345.00 - LAWTON EASTSIDE 345KV CKT 1
15WP	06ALL		3	FROM->TO	G15_031_230 CORN TAP - PAYNE 138.00 138KV CKT 1	141.4	0.0188	109.1867	G14-057T 345.00 - SUNNYSIDE 345KV CKT 1
20WP	06ALL		3	FROM->TO	G15_031_230 CORN TAP - PAYNE 138.00 138KV CKT 1	141.6	0.01843	107.6045	CIMARRON - MINCO 345KV CKT 1
15WP	06ALL		3	FROM->TO	G15_031_230 CORN TAP - PAYNE 138.00 138KV CKT 1	141.4	0.0188	107.4187	G14-057T 345.00 - LAWTON EASTSIDE 345KV CKT 1
20WP	06ALL		3	FROM->TO	G15_031_230 CORN TAP - PAYNE 138.00 138KV CKT 1	141.6	0.01437	105.8305	ANADARKO - BLANCHARD 138KV CKT 1
20WP	06ALL		3	FROM->TO	G15_031_230 CORN TAP - PAYNE 138.00 138KV CKT 1	141.6	0.01843	104.4972	GRACEMONT - MINCO 345KV CKT 1
20WP	06ALL		3	FROM->TO	G15_031_230 CORN TAP - PAYNE 138.00 138KV CKT 1	141.6	0.01437	103.9237	BLANCHARD - OUSW4 138KV CKT 1
15WP	06ALL		3	FROM->TO	G15_031_230 CORN TAP - PAYNE 138.00 138KV CKT 1	141.4	0.01923	102.0849	CIMARRON - MINCO 345KV CKT 1
15WP	06ALL		3	FROM->TO	G15_031_230 CORN TAP - PAYNE 138.00 138KV CKT 1	141.4	0.01496	100.6478	ANADARKO - BLANCHARD 138KV CKT 1
20SP	06ALL		3	FROM->TO	G15_031_230 CORN TAP - PAYNE 138.00 138KV CKT 1	142.2	0.01486	100.0352	ANADARKO - BLANCHARD 138KV CKT 1
15SP	06ALL		3	FROM->TO	G15_031_230 DUNCAN - TOSCO 69KV CKT 1	38.9	0.0058	108.3239	G14-057T 345.00 - SUNNYSIDE 345KV CKT 1
15SP	06ALL		3	FROM->TO	G15_031_230 DUNCAN - TOSCO 69KV CKT 1	38.9	0.0058	105.7532	G14-057T 345.00 - LAWTON EASTSIDE 345KV CKT 1
15WP	06ALL		3	FROM->TO	G15_031_230 DUNCAN - TOSCO 69KV CKT 1	47.8	0.006	100.9582	G14-057T 345.00 - SUNNYSIDE 345KV CKT 1
20WP	06ALL		3	FROM->TO	G15_031_230 DUNCAN - TOSCO 69KV CKT 1	47.9	0.00563	100.9102	G14-057T 345.00 - SUNNYSIDE 345KV CKT 1
15SP	06ALL		3	TO->FROM	G15_031_230 EARLSBORO 4138.00 - MAUD 138KV CKT 1	97.7	0.00728	106.0839	MAUD (MAUD1) 138/69/13.2KV TRANSFORMER CKT 1
15SP	06ALL		3	TO->FROM	G15_031_230 EARLSBORO 4138.00 - MAUD 138KV CKT 1	97.7	0.00708	100.9458	CANADIAN RIVER - MCALESTER SOUTH 138KV CKT 1
15SP	06ALL		3	TO->FROM	G15_031_230 EARLSBORO 4138.00 - MAUD 138KV CKT 1	97.7	0.00699	100.9458	PRINGLE INTERCHANGE - SPEARMAN INTERCHANGE 115KV CKT 2
25SP	06ALL		3	FROM->TO	G15_031_230 EDDY_NORTH 6230.00 (WAUK WT01134) 230/115/13.2KV TRANSFORMER CKT 2	285	0.00424	104.6975	EDDY COUNTY INTERCHANGE - EDDY_NORTH 6230.00 230KV CKT @1
25SP	06ALL		3	FROM->TO	G15_031_230 EDDY_NORTH 6230.00 (WAUK WT01134) 230/115/13.2KV TRANSFORMER CKT 2	286.3	0.00424	104.1523	EDDY COUNTY INTERCHANGE - EDDY_NORTH 6230.00 230KV CKT @1
15G	06ALL		3	FROM->TO	G15_031_230 ELDORADO - ELDORADO ICT 69KV CKT 1	26.9	0.00805	100.3123	LAKE PAULINE - RUSSELL 138KV CKT 1
15G	06ALL		3	FROM->TO	G15_031_230 ELK CITY 230KV (ELKCTY-6) 230/138/13.8KV TRANSFORMER CKT 1	446.9	0.09581	117.0821	CHISHOLM7 345.00 - GRACEMONT 345KV CKT 1
15SP	06ALL		3	FROM->TO	G15_031_230 ELK CITY 230KV (ELKCTY-6) 230/138/13.8KV TRANSFORMER CKT 1	446.4	0.10133	117.0381	CHISHOLM7 345.00 - GRACEMONT 345KV CKT 1
15G	06ALL		3	FROM->TO	G15_031_230 ELK CITY 230KV (ELKCTY-6) 230/138/13.8KV TRANSFORMER CKT 1	449.3	0.09581	116.5457	CHISHOLM7 345.00 - GRACEMONT 345KV CKT 1
15SP	06ALL		3	FROM->TO	G15_031_230 ELK CITY 230KV (ELKCTY-6) 230/138/13.8KV TRANSFORMER CKT 1	449.3	0.10133	116.3717	CHISHOLM7 345.00 - GRACEMONT 345KV CKT 1
15WP	06ALL		3	FROM->TO	G15_031_230 ELK CITY 230KV (ELKCTY-6) 230/138/13.8KV TRANSFORMER CKT 1	447.2	0.10417	112.4007	CHISHOLM7 345.00 - GRACEMONT 345KV CKT 1
15WP	06ALL		3	FROM->TO	G15_031_230 ELK CITY 230KV (ELKCTY-6) 230/138/13.8KV TRANSFORMER CKT 1	449.4	0.10417	111.9395	CHISHOLM7 345.00 - GRACEMONT 345KV CKT 1
20WP	06ALL		3	FROM->TO	G15_031_230 ELK CITY 230KV (ELKCTY-6) 230/138/13.8KV TRANSFORMER CKT 1	448.3	0.10006	106.7789	CHISHOLM7 345.00 - GRACEMONT 345KV CKT 1
20WP	06ALL		3	FROM->TO	G15_031_230 ELK CITY 230KV (ELKCTY-6) 230/138/13.8KV TRANSFORMER CKT 1	449.7	0.10006	106.5132	CHISHOLM7 345.00 - GRACEMONT 345KV CKT 1
15SP	06ALL		3	FROM->TO	G15_031_230 ELK CITY 230KV (ELKCTY-6) 230/138/13.8KV TRANSFORMER CKT 1	446.4	0.08737	103.6801	G14-074T 345.00 - OKLAUNION 345KV CKT 1
15SP	06ALL		3	FROM->TO	G15_031_230 ELK CITY 230KV (ELKCTY-6) 230/138/13.8KV TRANSFORMER CKT 1	449.3	0.08737	103.1222	G14-074T 345.00 - OKLAUNION 345KV CKT 1
15SP	06ALL		3	FROM->TO	G15_031_230 ELK CITY 230KV (ELKCTY-6) 230/138/13.8KV TRANSFORMER CKT 1	446.4	0.09337	101.8566	CHISHOLM7 345.00 - WOODWARD DISTRICT EHV 345KV CKT 1
15SP	06ALL		3	FROM->TO	G15_031_230 ELK CITY 230KV (ELKCTY-6) 230/138/13.8KV TRANSFORMER CKT 1	449.3	0.09337	101.3105	CHISHOLM7 345.00 - WOODWARD DISTRICT EHV 345KV CKT 1
15SP	06ALL		3	FROM->TO	G15_031_230 ELK CITY 230KV (ELKCTY-6) 230/138/13.8KV TRANSFORMER CKT 1	446.4	0.08737	100.2303	G14-074T 345.00 - TUCO INTERCHANGE 345KV CKT 1
15G	06ALL		3	FROM->TO	G15_031_230 FPL SWITCH - MOORELAND 138KV CKT 1	284.1	0.04516	119.0285	DBL-THIS-WWRD
15G	06ALL		3	FROM->TO	G15_031_230 FPL SWITCH - MOORELAND 138KV CKT 1	284.1	0.03664	111.5438	NORTHWEST - TATONGA7 345.00 345KV CKT 1
15G	06ALL		3	FROM->TO	G15_031_230 FPL SWITCH - MOORELAND 138KV CKT 1	284.1	0.03664	109.9599	SPSCont-04
15G	06ALL		3	FROM->TO	G15_031_230 FPL SWITCH - MOORELAND 138KV CKT 1	284.1	0.03664	109.7135	SPSCont-05b
15G	06ALL		3	FROM->TO	G15_031_230 FPL SWITCH - MOORELAND 138KV CKT 1	284.1	0.03649	108.2837	CHISHOLM6 230.00 - ELK CITY 230KV 230KV CKT 1

SEASON	GROUP	SCENARIO	DIRECTION	SOURCE	MONITORED ELEMENT	RATE (MVA)	TDF	CONTINGENCY LOADING %	CONTINGENCY	
15G	06ALL		3	FROM->TO	G15_031_230	FPL SWITCH - MOORELAND 138KV CKT 1	284.1	0.03649	108.2485	ELK CITY 230KV (ELKCTY-6) 230/138/13.8KV TRANSFORMER CKT 1
15G	06ALL		3	FROM->TO	G15_031_230	FPL SWITCH - MOORELAND 138KV CKT 1	284.1	0.03664	104.5392	G11_051T 345.00 - TATONGA7 345.00 345KV CKT 1
15G	06ALL		3	FROM->TO	G15_031_230	FPL SWITCH - MOORELAND 138KV CKT 1	284.1	0.03664	103.7297	G11_051T 345.00 - WOODWARD DISTRICT EHV 345KV CKT 1
15G	06ALL		3	FROM->TO	G15_031_230	FPL SWITCH - MOORELAND 138KV CKT 1	284.1	0.03664	102.0401	SPSCont-05ax
15G	06ALL		3	FROM->TO	G15_031_230	FPL SWITCH - MOORELAND 138KV CKT 1	284.1	0.02792	101.9043	WOODWARD (WOODWRD2) 138/69/13.2KV TRANSFORMER CKT 1
15G	06ALL		3	TO->FROM	G15_031_230	FPL SWITCH - WOODWARD 138KV CKT 1	285.2	0.04516	112.1879	DBL-THIS-WWRD
15G	06ALL		3	TO->FROM	G15_031_230	FPL SWITCH - WOODWARD 138KV CKT 1	285.2	0.03664	104.7672	NORTHWEST - TATONGA7 345.00 345KV CKT 1
15G	06ALL		3	TO->FROM	G15_031_230	FPL SWITCH - WOODWARD 138KV CKT 1	285.2	0.03664	103.1893	SPSCont-04
15G	06ALL		3	TO->FROM	G15_031_230	FPL SWITCH - WOODWARD 138KV CKT 1	285.2	0.03664	102.9439	SPSCont-05b
15G	06ALL		3	TO->FROM	G15_031_230	FPL SWITCH - WOODWARD 138KV CKT 1	285.2	0.03649	101.4846	CHISHOLM6 230.00 - ELK CITY 230KV 230KV CKT 1
15G	06ALL		3	TO->FROM	G15_031_230	FPL SWITCH - WOODWARD 138KV CKT 1	285.2	0.03649	101.4846	ELK CITY 230KV (ELKCTY-6) 230/138/13.8KV TRANSFORMER CKT 1
15SP	06ALL		3	TO->FROM	G15_031_230	GLASS MOUNTAIN - MOORELAND 138KV CKT 1	122.3	0.02052	109.13	DBL-THIS-WWRD
20WP	06ALL		3	TO->FROM	G15_031_230	GLASS MOUNTAIN - MOORELAND 138KV CKT 1	122.3	0.02008	101.2281	DBL-THIS-WWRD
15WP	06ALL		3	TO->FROM	G15_031_230	GLASS MOUNTAIN - MOORELAND 138KV CKT 1	122.2	0.02102	100.6268	DBL-THIS-WWRD
15SP	06ALL		3	TO->FROM	G15_031_230	GLASS MOUNTAIN - MOORELAND 138KV CKT 1	122.3	0.01576	100.4988	MOORELAND - NOEL_SW 138.00 138KV CKT 1
15G	06ALL		3	FROM->TO	G15_031_230	Harrington Station East Bus - POTTER COUNTY INTERCHANGE 230KV CKT 1	347	0.0553	106.751	CHERRY1 - HARRINGTON STATION 230KV CKT 1
15G	06ALL		3	FROM->TO	G15_031_230	Harrington Station East Bus - POTTER COUNTY INTERCHANGE 230KV CKT 1	347	0.0629	102.8069	CHERRY1 - POTTER COUNTY INTERCHANGE 230KV CKT 1
15G	06ALL		3	TO->FROM	G15_031_230	HAYS PLANT - SOUTH HAYS 115KV CKT 1	98.9	0.00597	115.3751	KNOLL 230 - POSTROCK6 230.00 230KV CKT 1
15SP	06ALL		3	FROM->TO	G15_031_230	HAYS PLANT - VINE STREET 115KV CKT 1	88	0.00572	116.8818	KNOLL 230 - POSTROCK6 230.00 230KV CKT 1
15G	06ALL		3	FROM->TO	G15_031_230	HAYS PLANT - VINE STREET 115KV CKT 1	87.9	0.00597	105.8089	KNOLL 230 - POSTROCK6 230.00 230KV CKT 1
15SP	06ALL		3	FROM->TO	G15_031_230	JERICHO (JERIC2WT) 115/69/14.4KV TRANSFORMER CKT 1	45.6	0.00647	106.6184	KIRBY SWITCHING STATION - MCCLELLAN SUB 115KV CKT 1
15SP	06ALL		3	FROM->TO	G15_031_230	JERICHO (JERIC2WT) 115/69/14.4KV TRANSFORMER CKT 1	45.9	0.00647	105.9216	KIRBY SWITCHING STATION - MCCLELLAN SUB 115KV CKT 1
15SP	06ALL		3	FROM->TO	G15_031_230	JERICHO (JERIC2WT) 115/69/14.4KV TRANSFORMER CKT 1	45.6	0.00647	105.0833	MCCLELLAN SUB - MCLEAN RURAL SUB 115KV CKT 1
15SP	06ALL		3	FROM->TO	G15_031_230	JERICHO (JERIC2WT) 115/69/14.4KV TRANSFORMER CKT 1	45.9	0.00647	104.3965	MCCLELLAN SUB - MCLEAN RURAL SUB 115KV CKT 1
15G	06ALL		3	FROM->TO	G15_031_230	JERICHO (JERIC2WT) 115/69/14.4KV TRANSFORMER CKT 1	45.7	0.00652	101.4311	KIRBY SWITCHING STATION - MCCLELLAN SUB 115KV CKT 1
15SP	06ALL		3	FROM->TO	G15_031_230	JERICHO (JERIC2WT) 115/69/14.4KV TRANSFORMER CKT 1	45.6	0.00647	101.3553	SPP-SWPS-T54
15G	06ALL		3	FROM->TO	G15_031_230	JERICHO (JERIC2WT) 115/69/14.4KV TRANSFORMER CKT 1	45.9	0.00652	100.9891	KIRBY SWITCHING STATION - MCCLELLAN SUB 115KV CKT 1
15SP	06ALL		3	FROM->TO	G15_031_230	JERICHO (JERIC2WT) 115/69/14.4KV TRANSFORMER CKT 1	45.9	0.00647	100.6928	SPP-SWPS-T54
15G	06ALL		3	FROM->TO	G15_031_230	JERICHO (JERIC2WT) 115/69/14.4KV TRANSFORMER CKT 1	45.7	0.00652	100.1182	MCCLELLAN SUB - MCLEAN RURAL SUB 115KV CKT 1
25SP	00NR		3	TO->FROM	G15_031_230	LUBBOCK POWER & LIGHT-CO-OP - LUBBOCK POWER & LIGHT-SLATON 69KV CKT 1	53.5	0.00696	154.3701	LUBBOCK POWER & LIGHT-CO-OP - LUBBOCK POWER & LIGHT-WADSWORTH 69KV CKT 1
20SP	00NR		3	TO->FROM	G15_031_230	LUBBOCK POWER & LIGHT-CO-OP - LUBBOCK POWER & LIGHT-SLATON 69KV CKT 1	53.6	0.00972	138.2761	LUBBOCK POWER & LIGHT-CO-OP - LUBBOCK POWER & LIGHT-WADSWORTH 69KV CKT 1
15SP	00NR		3	TO->FROM	G15_031_230	LUBBOCK POWER & LIGHT-CO-OP - LUBBOCK POWER & LIGHT-SLATON 69KV CKT 1	53.9	0.00935	115.2226	LUBBOCK POWER & LIGHT-CO-OP - LUBBOCK POWER & LIGHT-WADSWORTH 69KV CKT 1
20WP	00NR		3	TO->FROM	G15_031_230	LUBBOCK POWER & LIGHT-CO-OP - LUBBOCK POWER & LIGHT-SLATON 69KV CKT 1	53.9	0.01592	105.5213	LUBBOCK POWER & LIGHT-CO-OP - LUBBOCK POWER & LIGHT-WADSWORTH 69KV CKT 1
25SP	00NR		3	TO->FROM	G15_031_230	LUBBOCK POWER & LIGHT-CO-OP - LUBBOCK POWER & LIGHT-WADSWORTH 69KV CKT 1	105.6	0.00687	126.7623	BASE CASE
25SP	00NR		3	TO->FROM	G15_031_230	LUBBOCK POWER & LIGHT-CO-OP - LUBBOCK POWER & LIGHT-WADSWORTH 69KV CKT 1	141.2	0.00837	125.4327	LUBBOCK POWER & LIGHT-SLATON - LUBBOCK POWER & LIGHT-SOUTHEAST 69KV CKT 1
25SP	00NR		3	TO->FROM	G15_031_230	LUBBOCK POWER & LIGHT-CO-OP - LUBBOCK POWER & LIGHT-WADSWORTH 69KV CKT 1	141.2	0.00916	115.9688	LUBBOCK POWER & LIGHT-SOUTHEAST - LUBBOCK SOUTH INTERCHANGE 230KV CKT 1
25SP	00NR		3	TO->FROM	G15_031_230	LUBBOCK POWER & LIGHT-CO-OP - LUBBOCK POWER & LIGHT-WADSWORTH 69KV CKT 1	141.2	0.00866	114.2337	LUBBOCK POWER & LIGHT-HOLLY GEN - LUBBOCK POWER & LIGHT-NORTHEAST 69KV CKT 1
20SP	00NR		3	TO->FROM	G15_031_230	LUBBOCK POWER & LIGHT-CO-OP - LUBBOCK POWER & LIGHT-WADSWORTH 69KV CKT 1	108	0.00954	113.5759	BASE CASE
20SP	00NR		3	TO->FROM	G15_031_230	LUBBOCK POWER & LIGHT-CO-OP - LUBBOCK POWER & LIGHT-WADSWORTH 69KV CKT 1	143	0.01153	113.328	LUBBOCK POWER & LIGHT-SLATON - LUBBOCK POWER & LIGHT-SOUTHEAST 69KV CKT 1
25SP	00NR		3	TO->FROM	G15_031_230	LUBBOCK POWER & LIGHT-CO-OP - LUBBOCK POWER & LIGHT-WADSWORTH 69KV CKT 1	141.2	0.00901	111.0503	CARLISLE INTERCHANGE - LUBBOCK POWER & LIGHT-MILWAUKEE 230KV CKT 1
25SP	00NR		3	TO->FROM	G15_031_230	LUBBOCK POWER & LIGHT-CO-OP - LUBBOCK POWER & LIGHT-WADSWORTH 69KV CKT 1	141.2	0.00901	110.9795	LUBBOCK POWER & LIGHT-MILWAUKEE (M-E C0681251) 230/69/13.5KV TRANSFORMER CKT 1
25SP	00NR		3	TO->FROM	G15_031_230	LUBBOCK POWER & LIGHT-CO-OP - LUBBOCK POWER & LIGHT-WADSWORTH 69KV CKT 1	141.2	0.00901	110.9795	SPP-SWPS-K39
15SP	00NR		3	TO->FROM	G15_031_230	LUBBOCK POWER & LIGHT-CO-OP - LUBBOCK POWER & LIGHT-WADSWORTH 69KV CKT 1	108	0.01019	109.5898	BASE CASE
25SP	00NR		3	TO->FROM	G15_031_230	LUBBOCK POWER & LIGHT-CO-OP - LUBBOCK POWER & LIGHT-WADSWORTH 69KV CKT 1	141.2	0.00713	108.7387	LUBBOCK POWER & LIGHT-OLIVER - LUBBOCK POWER & LIGHT-SOUTHEAST 69KV CKT 1
15SP	00NR		3	TO->FROM	G15_031_230	LUBBOCK POWER & LIGHT-CO-OP - LUBBOCK POWER & LIGHT-WADSWORTH 69KV CKT 1	143	0.01167	104.4762	LUBBOCK POWER & LIGHT-SLATON - LUBBOCK POWER & LIGHT-SOUTHEAST 69KV CKT 1
25SP	00NR		3	TO->FROM	G15_031_230	LUBBOCK POWER & LIGHT-CO-OP - LUBBOCK POWER & LIGHT-WADSWORTH 69KV CKT 1	141.2	0.00866	103.398	LUBBOCK POWER & LIGHT-MACKENZIE GEN - LUBBOCK POWER & LIGHT-NORTHEAST 69KV CKT 1
20SP	00NR		3	TO->FROM	G15_031_230	LUBBOCK POWER & LIGHT-CO-OP - LUBBOCK POWER & LIGHT-WADSWORTH 69KV CKT 1	143	0.01185	103.3252	LUBBOCK POWER & LIGHT-HOLLY GEN - LUBBOCK POWER & LIGHT-NORTHEAST 69KV CKT 1
20SP	00NR		3	TO->FROM	G15_031_230	LUBBOCK POWER & LIGHT-CO-OP - LUBBOCK POWER & LIGHT-WADSWORTH 69KV CKT 1	143	0.01323	103.265	LUBBOCK POWER & LIGHT-SOUTHEAST - LUBBOCK SOUTH INTERCHANGE 230KV CKT 1

SEASON	GROUP	SCENARIO	DIRECTION	SOURCE	MONITORED ELEMENT	RATE (MVA)	TDF	CONTINGENCY		
								LOADING %	CONTINGENCY	
25SP	00NR		3	TO->FROM	G15_031_230	LUBBOCK POWER & LIGHT-CO-OP - LUBBOCK POWER & LIGHT-WADSWORTH 69KV CKT 1	141.2	0.00773	102.7047	LUBBOCK POWER & LIGHT-SOUTHEAST (ABB 60258) 230/69/13.5KV TRANSFORMER CKT 1
25SP	00NR		3	TO->FROM	G15_031_230	LUBBOCK POWER & LIGHT-CO-OP - LUBBOCK POWER & LIGHT-WADSWORTH 69KV CKT 1	141.2	0.00768	102.1983	LUBBOCK POWER & LIGHT-SOUTHEAST (FRM WADSWRTH) 230/69/13.5KV TRANSFORMER CKT 2
25SP	00NR		3	TO->FROM	G15_031_230	LUBBOCK POWER & LIGHT-CO-OP - LUBBOCK POWER & LIGHT-WADSWORTH 69KV CKT 1	141.2	0.00718	101.5255	LUBBOCK POWER & LIGHT-CHALKER - LUBBOCK POWER & LIGHT-THOMPSON 69KV CKT 1
25SP	00NR		3	TO->FROM	G15_031_230	LUBBOCK POWER & LIGHT-CO-OP - LUBBOCK POWER & LIGHT-WADSWORTH 69KV CKT 1	141.2	0.00629	100.8407	LUBBOCK POWER & LIGHT-HOLLY GEN - LUBBOCK POWER & LIGHT-SOUTHEAST 69KV CKT 1
25SP	00NR		3	TO->FROM	G15_031_230	LUBBOCK POWER & LIGHT-CO-OP - LUBBOCK POWER & LIGHT-WADSWORTH 69KV CKT 1	141.2	0.00713	100.4525	LUBBOCK POWER & LIGHT-CHALKER - LUBBOCK POWER & LIGHT-OLIVER 69KV CKT 1
25SP	00NR		3	TO->FROM	G15_031_230	LUBBOCK POWER & LIGHT-SLATON - LUBBOCK POWER & LIGHT-SOUTHEAST 69KV CKT 1	143	0.00713	121.1462	LUBBOCK POWER & LIGHT-CO-OP - LUBBOCK POWER & LIGHT-WADSWORTH 69KV CKT 1
20SP	00NR		3	TO->FROM	G15_031_230	LUBBOCK POWER & LIGHT-SLATON - LUBBOCK POWER & LIGHT-SOUTHEAST 69KV CKT 1	142.8	0.00971	110.7934	LUBBOCK POWER & LIGHT-CO-OP - LUBBOCK POWER & LIGHT-WADSWORTH 69KV CKT 1
20SP	00NR		3	TO->FROM	G15_031_230	LUBBOCK POWER & LIGHT-SLATON - LUBBOCK POWER & LIGHT-SOUTHEAST 69KV CKT 1	142.8	0.00584	109	LUBBOCK POWER & LIGHT-OLIVER - LUBBOCK POWER & LIGHT-SOUTHEAST 69KV CKT 1
20SP	06ALL		3	TO->FROM	G15_031_230	NORGE ROAD - SOUTHWESTERN STATION 138KV CKT 1	135.7	0.01126	110.7649	SOUTHWESTERN STATION - VERDEN 138KV CKT 1
20SP	06ALL		3	TO->FROM	G15_031_230	NORGE ROAD - SOUTHWESTERN STATION 138KV CKT 1	135.7	0.01126	109.2911	NORTH 29TH CHICKASHA - VERDEN 138KV CKT 1
20SP	06ALL		3	TO->FROM	G15_031_230	NORGE ROAD - SOUTHWESTERN STATION 138KV CKT 1	135.7	0.01614	106.4893	CIMARRON - MINCO 345KV CKT 1
20SP	06ALL		3	TO->FROM	G15_031_230	NORGE ROAD - SOUTHWESTERN STATION 138KV CKT 1	135.7	0.01126	106.2697	CORNVILLE - NORTH 29TH CHICKASHA 138KV CKT 1
20SP	06ALL		3	TO->FROM	G15_031_230	NORGE ROAD - SOUTHWESTERN STATION 138KV CKT 1	135.7	0.01043	104.1385	ANADARKO - CORN TAP 138KV CKT 1
20SP	06ALL		3	TO->FROM	G15_031_230	NORGE ROAD - SOUTHWESTERN STATION 138KV CKT 1	135.7	0.01614	102.9521	GRACEMONT - MINCO 345KV CKT 1
25SP	06ALL		3	TO->FROM	G15_031_230	NORGE ROAD - SOUTHWESTERN STATION 138KV CKT 1	135.8	0.01083	100.106	SOUTHWESTERN STATION - VERDEN 138KV CKT 1
15SP	06ALL		3	FROM->TO	G15_031_230	PRINGLE INTERCHANGE - SPEARMAN INTERCHANGE 115KV CKT 1	159.7	0.03599	103.1547	PRINGLE INTERCHANGE - SPEARMAN INTERCHANGE 115KV CKT 2
15G	06ALL		3	FROM->TO	G15_031_230	PRINGLE INTERCHANGE - SPEARMAN INTERCHANGE 115KV CKT 1	158.4	0.03468	101.8712	PRINGLE INTERCHANGE - SPEARMAN INTERCHANGE 115KV CKT 2
15G	06ALL		3	FROM->TO	G15_031_230	SHAMROCK (SHAMRCK1) 115/69/14.4KV TRANSFORMER CKT 1	66	0.01304	104.8697	CHISHOLM6 230.00 - SWEETWATER 230KV CKT 1
15G	06ALL		3	FROM->TO	G15_031_230	SHAMROCK (SHAMRCK1) 115/69/14.4KV TRANSFORMER CKT 1	66	0.01187	104.5454	HWRDWCK2 69.000 - JERICHO 69KV CKT 1
15G	06ALL		3	FROM->TO	G15_031_230	SHAMROCK (SHAMRCK1) 115/69/14.4KV TRANSFORMER CKT 1	66	0.01187	104.5454	JERICHO - KIRBY SWITCHING STATION 115KV CKT 1
15G	06ALL		3	FROM->TO	G15_031_230	SHAMROCK (SHAMRCK1) 115/69/14.4KV TRANSFORMER CKT 1	66	0.01187	104.5454	JERICHO (JERIC2WT) 115/69/14.4KV TRANSFORMER CKT 1
15G	06ALL		3	FROM->TO	G15_031_230	SHAMROCK (SHAMRCK1) 115/69/14.4KV TRANSFORMER CKT 1	66	0.01302	103.8333	G14-074T 345.00 - OKLAUNION 345KV CKT 1
15G	06ALL		3	FROM->TO	G15_031_230	SHAMROCK (SHAMRCK1) 115/69/14.4KV TRANSFORMER CKT 1	66	0.01187	103.7879	CLARENDON - HWRDWCK2 69.000 69KV CKT 1
15G	06ALL		3	FROM->TO	G15_031_230	SHAMROCK (SHAMRCK1) 115/69/14.4KV TRANSFORMER CKT 1	67.1	0.01304	103.2996	CHISHOLM6 230.00 - SWEETWATER 230KV CKT 1
15G	06ALL		3	FROM->TO	G15_031_230	SHAMROCK (SHAMRCK1) 115/69/14.4KV TRANSFORMER CKT 1	67.1	0.01187	103.1296	HWRDWCK2 69.000 - JERICHO 69KV CKT 1
15G	06ALL		3	FROM->TO	G15_031_230	SHAMROCK (SHAMRCK1) 115/69/14.4KV TRANSFORMER CKT 1	67.1	0.01187	103.1296	JERICHO - KIRBY SWITCHING STATION 115KV CKT 1
15G	06ALL		3	FROM->TO	G15_031_230	SHAMROCK (SHAMRCK1) 115/69/14.4KV TRANSFORMER CKT 1	67.1	0.01187	103.1296	JERICHO (JERIC2WT) 115/69/14.4KV TRANSFORMER CKT 1
15G	06ALL		3	FROM->TO	G15_031_230	SHAMROCK (SHAMRCK1) 115/69/14.4KV TRANSFORMER CKT 1	66	0.01304	102.597	GRAPEVINE INTERCHANGE - STATELINE INTERCHANGE 230KV CKT 1
15G	06ALL		3	FROM->TO	G15_031_230	SHAMROCK (SHAMRCK1) 115/69/14.4KV TRANSFORMER CKT 1	66	0.01207	102.4364	CHISHOLM6 230.00 - ELK CITY 230KV 230KV CKT 1
15G	06ALL		3	FROM->TO	G15_031_230	SHAMROCK (SHAMRCK1) 115/69/14.4KV TRANSFORMER CKT 1	66	0.01207	102.4364	ELK CITY 230KV (ELKCTY-6) 230/138/13.8KV TRANSFORMER CKT 1
15G	06ALL		3	FROM->TO	G15_031_230	SHAMROCK (SHAMRCK1) 115/69/14.4KV TRANSFORMER CKT 1	67.1	0.01187	102.3845	CLARENDON - HWRDWCK2 69.000 69KV CKT 1
15G	06ALL		3	FROM->TO	G15_031_230	SHAMROCK (SHAMRCK1) 115/69/14.4KV TRANSFORMER CKT 1	66	0.01246	102.3364	CHISHOLM7 345.00 - GRACEMONT 345KV CKT 1
15G	06ALL		3	FROM->TO	G15_031_230	SHAMROCK (SHAMRCK1) 115/69/14.4KV TRANSFORMER CKT 1	67.1	0.01302	102.2802	G14-074T 345.00 - OKLAUNION 345KV CKT 1
15G	06ALL		3	FROM->TO	G15_031_230	SHAMROCK (SHAMRCK1) 115/69/14.4KV TRANSFORMER CKT 1	67.1	0.01304	101.0641	GRAPEVINE INTERCHANGE - STATELINE INTERCHANGE 230KV CKT 1
15G	06ALL		3	FROM->TO	G15_031_230	SHAMROCK (SHAMRCK1) 115/69/14.4KV TRANSFORMER CKT 1	67.1	0.01207	100.9061	CHISHOLM6 230.00 - ELK CITY 230KV 230KV CKT 1
15G	06ALL		3	FROM->TO	G15_031_230	SHAMROCK (SHAMRCK1) 115/69/14.4KV TRANSFORMER CKT 1	67.1	0.01207	100.9061	ELK CITY 230KV (ELKCTY-6) 230/138/13.8KV TRANSFORMER CKT 1
15G	06ALL		3	FROM->TO	G15_031_230	SHAMROCK (SHAMRCK1) 115/69/14.4KV TRANSFORMER CKT 1	67.1	0.01246	100.8077	CHISHOLM7 345.00 - GRACEMONT 345KV CKT 1
15G	06ALL		3	FROM->TO	G15_031_230	SHAMROCK (SHAMRCK1) 115/69/14.4KV TRANSFORMER CKT 1	66	0.01187	100.7576	CLARENDON - CLARENDON REC 69KV CKT 1
15G	06ALL		3	FROM->TO	G15_031_230	SHAMROCK (SHAMRCK1) 115/69/14.4KV TRANSFORMER CKT 1	66	0.01302	100.5	G14-074T 345.00 - TUCO INTERCHANGE 345KV CKT 1
20WP	06ALL		3	TO->FROM	G15_031_230	SUNSHINE CANYON - TUTTLE 138KV CKT 1	140.9	0.02116	109.0674	CIMARRON - MINCO 345KV CKT 1
20SP	06ALL		3	TO->FROM	G15_031_230	SUNSHINE CANYON - TUTTLE 138KV CKT 1	141.6	0.02218	104.7895	CIMARRON - MINCO 345KV CKT 1
20WP	06ALL		3	TO->FROM	G15_031_230	SUNSHINE CANYON - TUTTLE 138KV CKT 1	140.9	0.02116	104.4542	GRACEMONT - MINCO 345KV CKT 1
15SP	06ALL		3	TO->FROM	G15_031_230	SUNSHINE CANYON - TUTTLE 138KV CKT 1	141.6	0.02354	104.1653	CIMARRON - MINCO 345KV CKT 1
20SP	06ALL		3	TO->FROM	G15_031_230	SUNSHINE CANYON - TUTTLE 138KV CKT 1	141.6	0.02218	100.1285	GRACEMONT - MINCO 345KV CKT 1
15SP	06ALL		3	FROM->TO	G15_031_230	THOMAS TAP - WEATHERFORD 69KV CKT 1	39	0.00792	114.2205	CLINTON JUNCTION - CLINTON NATURAL GAS TAP 138KV CKT 1
15G	06ALL		3	FROM->TO	G15_031_230	WICHITA (WICH TX-12) 345/138/13.8KV TRANSFORMER CKT 1	413.2	0.01225	106.6549	WICHITA (WICH TX-11) 345/138/13.8KV TRANSFORMER CKT 1
15G	06ALL		3	FROM->TO	G15_031_230	WICHITA (WICH TX-12) 345/138/13.8KV TRANSFORMER CKT 1	419.7	0.01225	104.8601	WICHITA (WICH TX-11) 345/138/13.8KV TRANSFORMER CKT 1
15WP	06ALL		3	FROM->TO	G15_031_230	WICHITA (WICH TX-12) 345/138/13.8KV TRANSFORMER CKT 1	414.2	0.0119	102.3873	WICHITA (WICH TX-11) 345/138/13.8KV TRANSFORMER CKT 1
15WP	06ALL		3	FROM->TO	G15_031_230	WICHITA (WICH TX-12) 345/138/13.8KV TRANSFORMER CKT 1	420.2	0.0119	100.8063	WICHITA (WICH TX-11) 345/138/13.8KV TRANSFORMER CKT 1
25SP	00NR		3	FROM->TO	G15_031_230	WOLFFORTH INTERCHANGE (WH 7001668) 230/115/13.2KV TRANSFORMER CKT 1	140.3	0.01997	101.0627	CARLISLE INTERCHANGE - LP-DOUD TP 3115.00 115KV CKT 1
25SP	00NR		3	FROM->TO	G15_031_230	WOLFFORTH INTERCHANGE (WH 7001668) 230/115/13.2KV TRANSFORMER CKT 1	140.3	0.00706	100.6543	CARLISLE INTERCHANGE (CARLISLE_XF) 230/115/13.2KV TRANSFORMER CKT 1
25SP	00NR		4	TO->FROM	G15_031_230	LUBBOCK POWER & LIGHT-CO-OP - LUBBOCK POWER & LIGHT-SLATON 69KV CKT 1	53.5	0.00696	154.3701	LUBBOCK POWER & LIGHT-CO-OP - LUBBOCK POWER & LIGHT-WADSWORTH 69KV CKT 1
20SP	00NR		4	TO->FROM	G15_031_230	LUBBOCK POWER & LIGHT-CO-OP - LUBBOCK POWER & LIGHT-SLATON 69KV CKT 1	53.6	0.00972	138.2761	LUBBOCK POWER & LIGHT-CO-OP - LUBBOCK POWER & LIGHT-WADSWORTH 69KV CKT 1

SEASON	GROUP	SCENARIO	DIRECTION	SOURCE	MONITORED ELEMENT	RATE (MVA)	TDF	CONTINGENCY LOADING %	CONTINGENCY
15SP	00NR		4 TO->FROM	G15_031_230	LUBBOCK POWER & LIGHT-CO-OP - LUBBOCK POWER & LIGHT-SLATON 69KV CKT 1	53.9	0.00935	115.2226	LUBBOCK POWER & LIGHT-CO-OP - LUBBOCK POWER & LIGHT-WADSWORTH 69KV CKT 1
20WP	00NR		4 TO->FROM	G15_031_230	LUBBOCK POWER & LIGHT-CO-OP - LUBBOCK POWER & LIGHT-SLATON 69KV CKT 1	53.9	0.01592	105.5213	LUBBOCK POWER & LIGHT-CO-OP - LUBBOCK POWER & LIGHT-WADSWORTH 69KV CKT 1
25SP	00NR		4 TO->FROM	G15_031_230	LUBBOCK POWER & LIGHT-CO-OP - LUBBOCK POWER & LIGHT-WADSWORTH 69KV CKT 1	105.6	0.00687	126.7623	BASE CASE
25SP	00NR		4 TO->FROM	G15_031_230	LUBBOCK POWER & LIGHT-CO-OP - LUBBOCK POWER & LIGHT-WADSWORTH 69KV CKT 1	141.2	0.00837	125.4327	LUBBOCK POWER & LIGHT-SLATON - LUBBOCK POWER & LIGHT-SOUTHEAST 69KV CKT 1
25SP	00NR		4 TO->FROM	G15_031_230	LUBBOCK POWER & LIGHT-CO-OP - LUBBOCK POWER & LIGHT-WADSWORTH 69KV CKT 1	141.2	0.00916	115.9688	LUBBOCK POWER & LIGHT-SOUTHEAST - LUBBOCK SOUTH INTERCHANGE 230KV CKT 1
25SP	00NR		4 TO->FROM	G15_031_230	LUBBOCK POWER & LIGHT-CO-OP - LUBBOCK POWER & LIGHT-WADSWORTH 69KV CKT 1	141.2	0.00866	114.2337	LUBBOCK POWER & LIGHT-HOLLY GEN - LUBBOCK POWER & LIGHT-NORTHEAST 69KV CKT 1
20SP	00NR		4 TO->FROM	G15_031_230	LUBBOCK POWER & LIGHT-CO-OP - LUBBOCK POWER & LIGHT-WADSWORTH 69KV CKT 1	108	0.00954	113.5759	BASE CASE
20SP	00NR		4 TO->FROM	G15_031_230	LUBBOCK POWER & LIGHT-CO-OP - LUBBOCK POWER & LIGHT-WADSWORTH 69KV CKT 1	143	0.01153	113.328	LUBBOCK POWER & LIGHT-SLATON - LUBBOCK POWER & LIGHT-SOUTHEAST 69KV CKT 1
25SP	00NR		4 TO->FROM	G15_031_230	LUBBOCK POWER & LIGHT-CO-OP - LUBBOCK POWER & LIGHT-WADSWORTH 69KV CKT 1	141.2	0.00901	111.0503	CARLISLE INTERCHANGE - LUBBOCK POWER & LIGHT-MILWAUKEE 230KV CKT 1
25SP	00NR		4 TO->FROM	G15_031_230	LUBBOCK POWER & LIGHT-CO-OP - LUBBOCK POWER & LIGHT-WADSWORTH 69KV CKT 1	141.2	0.00901	110.9795	LUBBOCK POWER & LIGHT-MILWAUKEE (M-E C0681251) 230/69/13.5KV TRANSFORMER CKT 1
25SP	00NR		4 TO->FROM	G15_031_230	LUBBOCK POWER & LIGHT-CO-OP - LUBBOCK POWER & LIGHT-WADSWORTH 69KV CKT 1	141.2	0.00901	110.9795	SPP-SWPS-K39
15SP	00NR		4 TO->FROM	G15_031_230	LUBBOCK POWER & LIGHT-CO-OP - LUBBOCK POWER & LIGHT-WADSWORTH 69KV CKT 1	108	0.01019	109.5898	BASE CASE
25SP	00NR		4 TO->FROM	G15_031_230	LUBBOCK POWER & LIGHT-CO-OP - LUBBOCK POWER & LIGHT-WADSWORTH 69KV CKT 1	141.2	0.00713	108.7387	LUBBOCK POWER & LIGHT-OLIVER - LUBBOCK POWER & LIGHT-SOUTHEAST 69KV CKT 1
15SP	00NR		4 TO->FROM	G15_031_230	LUBBOCK POWER & LIGHT-CO-OP - LUBBOCK POWER & LIGHT-WADSWORTH 69KV CKT 1	143	0.01167	104.4762	LUBBOCK POWER & LIGHT-SLATON - LUBBOCK POWER & LIGHT-SOUTHEAST 69KV CKT 1
25SP	00NR		4 TO->FROM	G15_031_230	LUBBOCK POWER & LIGHT-CO-OP - LUBBOCK POWER & LIGHT-WADSWORTH 69KV CKT 1	141.2	0.00866	103.398	LUBBOCK POWER & LIGHT-MACKENZIE GEN - LUBBOCK POWER & LIGHT-NORTHEAST 69KV CKT 1
20SP	00NR		4 TO->FROM	G15_031_230	LUBBOCK POWER & LIGHT-CO-OP - LUBBOCK POWER & LIGHT-WADSWORTH 69KV CKT 1	143	0.01185	103.3252	LUBBOCK POWER & LIGHT-HOLLY GEN - LUBBOCK POWER & LIGHT-NORTHEAST 69KV CKT 1
20SP	00NR		4 TO->FROM	G15_031_230	LUBBOCK POWER & LIGHT-CO-OP - LUBBOCK POWER & LIGHT-WADSWORTH 69KV CKT 1	143	0.01323	103.265	LUBBOCK POWER & LIGHT-SOUTHEAST - LUBBOCK SOUTH INTERCHANGE 230KV CKT 1
25SP	00NR		4 TO->FROM	G15_031_230	LUBBOCK POWER & LIGHT-CO-OP - LUBBOCK POWER & LIGHT-WADSWORTH 69KV CKT 1	141.2	0.00773	102.7047	LUBBOCK POWER & LIGHT-SOUTHEAST (ABB 60258) 230/69/13.5KV TRANSFORMER CKT 1
25SP	00NR		4 TO->FROM	G15_031_230	LUBBOCK POWER & LIGHT-CO-OP - LUBBOCK POWER & LIGHT-WADSWORTH 69KV CKT 1	141.2	0.00768	102.1983	LUBBOCK POWER & LIGHT-SOUTHEAST (FRM WADSWRTH) 230/69/13.5KV TRANSFORMER CKT 2
25SP	00NR		4 TO->FROM	G15_031_230	LUBBOCK POWER & LIGHT-CO-OP - LUBBOCK POWER & LIGHT-WADSWORTH 69KV CKT 1	141.2	0.00718	101.5255	LUBBOCK POWER & LIGHT-CHALKER - LUBBOCK POWER & LIGHT-THOMPSON 69KV CKT 1
25SP	00NR		4 TO->FROM	G15_031_230	LUBBOCK POWER & LIGHT-CO-OP - LUBBOCK POWER & LIGHT-WADSWORTH 69KV CKT 1	141.2	0.00629	100.8407	LUBBOCK POWER & LIGHT-HOLLY GEN - LUBBOCK POWER & LIGHT-SOUTHEAST 69KV CKT 1
25SP	00NR		4 TO->FROM	G15_031_230	LUBBOCK POWER & LIGHT-CO-OP - LUBBOCK POWER & LIGHT-WADSWORTH 69KV CKT 1	141.2	0.00713	100.4525	LUBBOCK POWER & LIGHT-CHALKER - LUBBOCK POWER & LIGHT-OLIVER 69KV CKT 1
25SP	00NR		4 TO->FROM	G15_031_230	LUBBOCK POWER & LIGHT-SLATON - LUBBOCK POWER & LIGHT-SOUTHEAST 69KV CKT 1	143	0.00713	121.1462	LUBBOCK POWER & LIGHT-CO-OP - LUBBOCK POWER & LIGHT-WADSWORTH 69KV CKT 1
20SP	00NR		4 TO->FROM	G15_031_230	LUBBOCK POWER & LIGHT-SLATON - LUBBOCK POWER & LIGHT-SOUTHEAST 69KV CKT 1	142.8	0.00971	110.7934	LUBBOCK POWER & LIGHT-CO-OP - LUBBOCK POWER & LIGHT-WADSWORTH 69KV CKT 1
20SP	00NR		4 TO->FROM	G15_031_230	LUBBOCK POWER & LIGHT-SLATON - LUBBOCK POWER & LIGHT-SOUTHEAST 69KV CKT 1	142.8	0.00584	109	LUBBOCK POWER & LIGHT-OLIVER - LUBBOCK POWER & LIGHT-SOUTHEAST 69KV CKT 1
25SP	00NR		4 FROM->TO	G15_031_230	WOLFFORTH INTERCHANGE (WH 7001668) 230/115/13.2KV TRANSFORMER CKT 1	140.3	0.01997	101.0627	CARLISLE INTERCHANGE - LP-DOUD_TP 3115.00 115KV CKT 1
25SP	00NR		4 FROM->TO	G15_031_230	WOLFFORTH INTERCHANGE (WH 7001668) 230/115/13.2KV TRANSFORMER CKT 1	140.3	0.00706	100.6543	CARLISLE INTERCHANGE (CARLISLE_XF) 230/115/13.2KV TRANSFORMER CKT 1
20SP	06ALL		0 FROM->TO	G15_032_230	ANADARKO - CORN TAP 138KV CKT 1	142.8	0.01474	100.2171	CIMARRON - MINCO 345KV CKT 1
15G	06ALL		0 TO->FROM	G15_032_230	ANADARKO - GRACMNT4 138.00 138KV CKT 1	225.1	0.05348	127.6917	CIMARRON - MINCO 345KV CKT 1
15G	06ALL		0 TO->FROM	G15_032_230	ANADARKO - GRACMNT4 138.00 138KV CKT 1	225.1	0.05348	119.5175	GRACEMONT - MINCO 345KV CKT 1
15G	06ALL		0 TO->FROM	G15_032_230	ANADARKO - GRACMNT4 138.00 138KV CKT 1	225.1	0.03046	106.9853	SOUTHWESTERN STATION - WASHITA 138KV CKT 1
15SP	06ALL		0 FROM->TO	G15_032_230	BENTLEY4 138.00 - HALSTEAD SOUTH BUS 138KV CKT 1	142.2	0.00691	108.2771	RENO COUNTY - WICHITA 345KV CKT 1
20WP	06ALL		0 FROM->TO	G15_032_230	CLEARWATER - GILL ENERGY CENTER WEST 138KV CKT 1	142.9	0.01157	119.4794	GILL ENERGY CENTER SOUTH - VIOLA 4 138.00 138KV CKT 1
20SP	06ALL		0 FROM->TO	G15_032_230	CLEARWATER - GILL ENERGY CENTER WEST 138KV CKT 1	142.2	0.01391	102.4191	GILL ENERGY CENTER SOUTH - VIOLA 4 138.00 138KV CKT 1
15SP	06ALL		0 TO->FROM	G15_032_230	CLINTON CITY - FOSS TAP 69KV CKT 1	74.5	0.00789	103.4175	CLINTON JUNCTION - CLINTON NATURAL GAS TAP 138KV CKT 1
15SP	06ALL		0 FROM->TO	G15_032_230	CLINTON CITY - THOMAS TAP 69KV CKT 1	38.9	0.00789	125.5681	CLINTON JUNCTION - CLINTON NATURAL GAS TAP 138KV CKT 1
20SP	06ALL		0 FROM->TO	G15_032_230	CLINTON CITY - THOMAS TAP 69KV CKT 1	39	0.00753	102.8974	CLINTON JUNCTION - CLINTON NATURAL GAS TAP 138KV CKT 1
15G	06ALL		0 FROM->TO	G15_032_230	CLINTON CITY - THOMAS TAP 69KV CKT 1	47.9	0.00768	101.0731	CLINTON JUNCTION - CLINTON NATURAL GAS TAP 138KV CKT 1
15SP	06ALL		0 TO->FROM	G15_032_230	CLINTON JUNCTION - ELK CITY 138KV CKT 1	148.8	0.0427	140.5685	CHISHOLM7 345.00 - GRACEMONT 345KV CKT 1
15G	06ALL		0 TO->FROM	G15_032_230	CLINTON JUNCTION - ELK CITY 138KV CKT 1	185.1	0.04129	124.0551	CHISHOLM7 345.00 - GRACEMONT 345KV CKT 1
15SP	06ALL		0 TO->FROM	G15_032_230	CLINTON JUNCTION - ELK CITY 138KV CKT 1	148.8	0.03598	122.8306	G14-074T 345.00 - OKLAUNION 345KV CKT 1
15SP	06ALL		0 TO->FROM	G15_032_230	CLINTON JUNCTION - ELK CITY 138KV CKT 1	148.8	0.02203	120.3078	ONEY - WASHITA 138KV CKT 1
15SP	06ALL		0 TO->FROM	G15_032_230	CLINTON JUNCTION - ELK CITY 138KV CKT 1	148.8	0.03598	118.7984	G14-074T 345.00 - TUCO INTERCHANGE 345KV CKT 1

SEASON	GROUP	SCENARIO	DIRECTION	SOURCE	MONITORED ELEMENT	RATE (MVA)	TDF	CONTINGENCY LOADING %	CONTINGENCY
15SP	06ALL	0	TO->FROM	G15_032_230	CLINTON JUNCTION - ELK CITY 138KV CKT 1	148.8	0.03264	118.0269	NORTHWEST - TATONGA7 345.00 345KV CKT 1
15SP	06ALL	0	TO->FROM	G15_032_230	CLINTON JUNCTION - ELK CITY 138KV CKT 1	148.8	0.02203	117.754	BINGER NIJECT - ONEY 138KV CKT 1
15SP	06ALL	0	TO->FROM	G15_032_230	CLINTON JUNCTION - ELK CITY 138KV CKT 1	148.8	0.03264	117.5564	SPSCont-05b
15SP	06ALL	0	TO->FROM	G15_032_230	CLINTON JUNCTION - ELK CITY 138KV CKT 1	148.8	0.03264	117.1532	SPSCont-04
15SP	06ALL	0	TO->FROM	G15_032_230	CLINTON JUNCTION - ELK CITY 138KV CKT 1	148.8	0.03318	116.9839	DBL-THIS-WWRD
15SP	06ALL	0	TO->FROM	G15_032_230	CLINTON JUNCTION - ELK CITY 138KV CKT 1	132.4	0.0287	116.0755	BASE CASE
15SP	06ALL	0	TO->FROM	G15_032_230	CLINTON JUNCTION - ELK CITY 138KV CKT 1	148.8	0.03259	115.5282	CLINTON AIR FORCE BASE TAP - ELK CITY 138KV CKT 1
15SP	06ALL	0	TO->FROM	G15_032_230	CLINTON JUNCTION - ELK CITY 138KV CKT 1	148.8	0.03543	115.3185	CHISHOLM7 345.00 - WOODWARD DISTRICT EHV 345KV CKT 1
15SP	06ALL	0	TO->FROM	G15_032_230	CLINTON JUNCTION - ELK CITY 138KV CKT 1	148.8	0.03259	114.6546	CLINTON AIR FORCE BASE TAP - HOBART JUNCTION 138KV CKT 1
15SP	06ALL	0	TO->FROM	G15_032_230	CLINTON JUNCTION - ELK CITY 138KV CKT 1	148.8	0.02203	113.5874	BINGER NIJECT - SICKLES 138KV CKT 1
15SP	06ALL	0	TO->FROM	G15_032_230	CLINTON JUNCTION - ELK CITY 138KV CKT 1	148.8	0.03264	113.457	G11_051T 345.00 - TATONGA7 345.00 345KV CKT 1
15SP	06ALL	0	TO->FROM	G15_032_230	CLINTON JUNCTION - ELK CITY 138KV CKT 1	148.8	0.02203	112.9825	CLINTON JUNCTION - G07-32T 138.00 138KV CKT 1
15SP	06ALL	0	TO->FROM	G15_032_230	CLINTON JUNCTION - ELK CITY 138KV CKT 1	148.8	0.0287	112.8253	G07-32 138.00 - G07-32T 138.00 138KV CKT 1
15SP	06ALL	0	TO->FROM	G15_032_230	CLINTON JUNCTION - ELK CITY 138KV CKT 1	148.8	0.0287	112.8253	G07-32 138.00 138/34.5KV TRANSFORMER CKT 1
15SP	06ALL	0	TO->FROM	G15_032_230	CLINTON JUNCTION - ELK CITY 138KV CKT 1	148.8	0.0287	112.8253	G07-32 34.500 34.5/12.0KV TRANSFORMER CKT 1
15SP	06ALL	0	TO->FROM	G15_032_230	CLINTON JUNCTION - ELK CITY 138KV CKT 1	148.8	0.0287	111.414	WASHITA - WEATHERFORD WIND FARM 34 KV 34.5KV CKT 1
15WP	06ALL	0	TO->FROM	G15_032_230	CLINTON JUNCTION - ELK CITY 138KV CKT 1	186.8	0.04364	111.151	CHISHOLM7 345.00 - GRACEMONT 345KV CKT 1
20SP	06ALL	0	TO->FROM	G15_032_230	CLINTON JUNCTION - ELK CITY 138KV CKT 1	151.1	0.04235	109.3726	CHISHOLM7 345.00 - GRACEMONT 345KV CKT 1
20SP	06ALL	0	TO->FROM	G15_032_230	CLINTON JUNCTION - ELK CITY 138KV CKT 1	151.1	0.02191	106.454	ONEY - WASHITA 138KV CKT 1
15G	06ALL	0	TO->FROM	G15_032_230	CLINTON JUNCTION - ELK CITY 138KV CKT 1	185.1	0.03468	105.7796	G14-074T 345.00 - OKLAUNION 345KV CKT 1
20SP	06ALL	0	TO->FROM	G15_032_230	CLINTON JUNCTION - ELK CITY 138KV CKT 1	151.1	0.02191	103.8729	BINGER NIJECT - ONEY 138KV CKT 1
20WP	06ALL	0	TO->FROM	G15_032_230	CLINTON JUNCTION - ELK CITY 138KV CKT 1	187.5	0.04177	102.7275	CHISHOLM7 345.00 - GRACEMONT 345KV CKT 1
15G	06ALL	0	TO->FROM	G15_032_230	CLINTON JUNCTION - ELK CITY 138KV CKT 1	185.1	0.03468	102.6461	G14-074T 345.00 - TUO INTERCHANGE 345KV CKT 1
15G	06ALL	0	TO->FROM	G15_032_230	CLINTON JUNCTION - ELK CITY 138KV CKT 1	185.1	0.03158	102.3198	NORTHWEST - TATONGA7 345.00 345KV CKT 1
15G	06ALL	0	TO->FROM	G15_032_230	CLINTON JUNCTION - ELK CITY 138KV CKT 1	185.1	0.03158	101.9416	SPSCont-05b
15G	06ALL	0	TO->FROM	G15_032_230	CLINTON JUNCTION - ELK CITY 138KV CKT 1	185.1	0.03158	101.6175	SPSCont-04
15G	06ALL	0	TO->FROM	G15_032_230	CLINTON JUNCTION - ELK CITY 138KV CKT 1	185.1	0.03139	101.5051	CLINTON AIR FORCE BASE TAP - ELK CITY 138KV CKT 1
15G	06ALL	0	TO->FROM	G15_032_230	CLINTON JUNCTION - ELK CITY 138KV CKT 1	185.1	0.03139	100.9109	CLINTON AIR FORCE BASE TAP - HOBART JUNCTION 138KV CKT 1
15G	06ALL	0	TO->FROM	G15_032_230	CLINTON JUNCTION - ELK CITY 138KV CKT 1	185.1	0.03429	100.2247	CHISHOLM7 345.00 - WOODWARD DISTRICT EHV 345KV CKT 1
15SP	06ALL	0	FROM->TO	G15_032_230	CLINTON JUNCTION - FOSS TAP 69KV CKT 1	74.7	0.00789	104.3454	CLINTON JUNCTION - CLINTON NATURAL GAS TAP 138KV CKT 1
15SP	06ALL	0	TO->FROM	G15_032_230	COMANCHE TAP - TOSCO 69KV CKT 1	39	0.00564	103.9128	G14-057T 345.00 - SUNNYSIDE 345KV CKT 1
15SP	06ALL	0	TO->FROM	G15_032_230	COMANCHE TAP - TOSCO 69KV CKT 1	39	0.00564	101.0923	G14-057T 345.00 - LAWTON EASTSIDE 345KV CKT 1
20WP	06ALL	0	FROM->TO	G15_032_230	CORN TAP - PAYNE 138.00 138KV CKT 1	141.6	0.0178	111.2034	G14-057T 345.00 - SUNNYSIDE 345KV CKT 1
20WP	06ALL	0	FROM->TO	G15_032_230	CORN TAP - PAYNE 138.00 138KV CKT 1	141.6	0.0178	109.4378	G14-057T 345.00 - LAWTON EASTSIDE 345KV CKT 1
15WP	06ALL	0	FROM->TO	G15_032_230	CORN TAP - PAYNE 138.00 138KV CKT 1	141.4	0.01847	109.1033	G14-057T 345.00 - SUNNYSIDE 345KV CKT 1
20WP	06ALL	0	FROM->TO	G15_032_230	CORN TAP - PAYNE 138.00 138KV CKT 1	141.6	0.0181	107.5169	CIMARRON - MINCO 345KV CKT 1
15WP	06ALL	0	FROM->TO	G15_032_230	CORN TAP - PAYNE 138.00 138KV CKT 1	141.4	0.01847	107.4059	G14-057T 345.00 - LAWTON EASTSIDE 345KV CKT 1
20WP	06ALL	0	FROM->TO	G15_032_230	CORN TAP - PAYNE 138.00 138KV CKT 1	141.6	0.01414	105.822	ANADARKO - BLANCHARD 138KV CKT 1
20WP	06ALL	0	FROM->TO	G15_032_230	CORN TAP - PAYNE 138.00 138KV CKT 1	141.6	0.0181	104.4802	GRACEMONT - MINCO 345KV CKT 1
20WP	06ALL	0	FROM->TO	G15_032_230	CORN TAP - PAYNE 138.00 138KV CKT 1	141.6	0.01414	103.8446	BLANCHARD - OUSW4 138KV CKT 1
15WP	06ALL	0	FROM->TO	G15_032_230	CORN TAP - PAYNE 138.00 138KV CKT 1	141.4	0.01889	102.0679	CIMARRON - MINCO 345KV CKT 1
15WP	06ALL	0	FROM->TO	G15_032_230	CORN TAP - PAYNE 138.00 138KV CKT 1	141.4	0.01473	100.6351	ANADARKO - BLANCHARD 138KV CKT 1
15SP	06ALL	0	FROM->TO	G15_032_230	DUNCAN - TOSCO 69KV CKT 1	38.9	0.00564	108.2931	G14-057T 345.00 - SUNNYSIDE 345KV CKT 1
15SP	06ALL	0	FROM->TO	G15_032_230	DUNCAN - TOSCO 69KV CKT 1	38.9	0.00564	105.7224	G14-057T 345.00 - LAWTON EASTSIDE 345KV CKT 1
15WP	06ALL	0	FROM->TO	G15_032_230	DUNCAN - TOSCO 69KV CKT 1	47.8	0.00584	100.9331	G14-057T 345.00 - SUNNYSIDE 345KV CKT 1
20WP	06ALL	0	FROM->TO	G15_032_230	DUNCAN - TOSCO 69KV CKT 1	47.9	0.00547	100.8852	G14-057T 345.00 - SUNNYSIDE 345KV CKT 1
15SP	06ALL	0	TO->FROM	G15_032_230	EARLSBORO 4138.00 - MAUD 138KV CKT 1	97.7	0.0072	106.0778	MAUD (MAUD1) 138/69/13.2KV TRANSFORMER CKT 1
15SP	06ALL	0	TO->FROM	G15_032_230	EARLSBORO 4138.00 - MAUD 138KV CKT 1	97.7	0.007	101.042	CANADIAN RIVER - MCALESTER SOUTH 138KV CKT 1
15SP	06ALL	0	TO->FROM	G15_032_230	EARLSBORO 4138.00 - MAUD 138KV CKT 1	97.7	0.00691	101.042	PRINGLE INTERCHANGE - SPEARMAN INTERCHANGE 115KV CKT 2
25SP	06ALL	0	FROM->TO	G15_032_230	EDDY_NORTH 6230.00 (WAUK WT01134) 230/115/13.2KV TRANSFORMER CKT 2	285	0.01214	104.9039	EDDY COUNTY INTERCHANGE - EDDY_NORTH 6230.00 230KV CKT @1
25SP	06ALL	0	FROM->TO	G15_032_230	EDDY_NORTH 6230.00 (WAUK WT01134) 230/115/13.2KV TRANSFORMER CKT 2	286.3	0.01214	104.3577	EDDY COUNTY INTERCHANGE - EDDY_NORTH 6230.00 230KV CKT @1
15G	06ALL	0	FROM->TO	G15_032_230	ELDORADO - ELDORADO JCT 69KV CKT 1	26.9	0.00827	100.8178	LAKE PAULINE - RUSSELL 138KV CKT 1
15G	06ALL	0	FROM->TO	G15_032_230	ELK CITY 230KV (ELKCTY-6) 230/138/13.8KV TRANSFORMER CKT 1	446.9	0.09601	117.0611	CHISHOLM7 345.00 - GRACEMONT 345KV CKT 1
15SP	06ALL	0	FROM->TO	G15_032_230	ELK CITY 230KV (ELKCTY-6) 230/138/13.8KV TRANSFORMER CKT 1	446.4	0.10154	117.0408	CHISHOLM7 345.00 - GRACEMONT 345KV CKT 1
15G	06ALL	0	FROM->TO	G15_032_230	ELK CITY 230KV (ELKCTY-6) 230/138/13.8KV TRANSFORMER CKT 1	449.3	0.09601	116.5248	CHISHOLM7 345.00 - GRACEMONT 345KV CKT 1
15SP	06ALL	0	FROM->TO	G15_032_230	ELK CITY 230KV (ELKCTY-6) 230/138/13.8KV TRANSFORMER CKT 1	449.3	0.10154	116.3966	CHISHOLM7 345.00 - GRACEMONT 345KV CKT 1
15WP	06ALL	0	FROM->TO	G15_032_230	ELK CITY 230KV (ELKCTY-6) 230/138/13.8KV TRANSFORMER CKT 1	447.2	0.10437	112.4481	CHISHOLM7 345.00 - GRACEMONT 345KV CKT 1
15WP	06ALL	0	FROM->TO	G15_032_230	ELK CITY 230KV (ELKCTY-6) 230/138/13.8KV TRANSFORMER CKT 1	449.3	0.10437	112.0116	CHISHOLM7 345.00 - GRACEMONT 345KV CKT 1
20WP	06ALL	0	FROM->TO	G15_032_230	ELK CITY 230KV (ELKCTY-6) 230/138/13.8KV TRANSFORMER CKT 1	448.3	0.10025	106.7816	CHISHOLM7 345.00 - GRACEMONT 345KV CKT 1
20WP	06ALL	0	FROM->TO	G15_032_230	ELK CITY 230KV (ELKCTY-6) 230/138/13.8KV TRANSFORMER CKT 1	449.7	0.10025	106.5159	CHISHOLM7 345.00 - GRACEMONT 345KV CKT 1
15SP	06ALL	0	FROM->TO	G15_032_230	ELK CITY 230KV (ELKCTY-6) 230/138/13.8KV TRANSFORMER CKT 1	446.4	0.08631	103.6456	G14-074T 345.00 - OKLAUNION 345KV CKT 1
15SP	06ALL	0	FROM->TO	G15_032_230	ELK CITY 230KV (ELKCTY-6) 230/138/13.8KV TRANSFORMER CKT 1	449.3	0.08631	103.0879	G14-074T 345.00 - OKLAUNION 345KV CKT 1
15SP	06ALL	0	FROM->TO	G15_032_230	ELK CITY 230KV (ELKCTY-6) 230/138/13.8KV TRANSFORMER CKT 1	446.4	0.0925	101.8208	CHISHOLM7 345.00 - WOODWARD DISTRICT EHV 345KV CKT 1
15SP	06ALL	0	FROM->TO	G15_032_230	ELK CITY 230KV (ELKCTY-6) 230/138/13.8KV TRANSFORMER CKT 1	449.3	0.0925	101.2526	CHISHOLM7 345.00 - WOODWARD DISTRICT EHV 345KV CKT 1

SEASON	GROUP	SCENARIO	DIRECTION	SOURCE	MONITORED ELEMENT	RATE (MVA)	TDF	CONTINGENCY LOADING %	CONTINGENCY
15SP	06ALL	0	FROM->TO	G15_032_230	ELK CITY 230KV (ELKCTY-6) 230/138/13.8KV TRANSFORMER CKT 1	446.4	0.08631	100.1958	G14-074T 345.00 - TUCO INTERCHANGE 345KV CKT 1
15G	06ALL	0	FROM->TO	G15_032_230	FPL SWITCH - MOORELAND 138KV CKT 1	284.1	0.04613	119.12	DBL-THIS-WWRD
15G	06ALL	0	FROM->TO	G15_032_230	FPL SWITCH - MOORELAND 138KV CKT 1	284.1	0.03779	111.6396	NORTHWEST - TATONGA7 345.00 345KV CKT 1
15G	06ALL	0	FROM->TO	G15_032_230	FPL SWITCH - MOORELAND 138KV CKT 1	284.1	0.03779	110.0908	SPSCont-04
15G	06ALL	0	FROM->TO	G15_032_230	FPL SWITCH - MOORELAND 138KV CKT 1	284.1	0.03779	109.8444	SPSCont-05b
15G	06ALL	0	FROM->TO	G15_032_230	FPL SWITCH - MOORELAND 138KV CKT 1	284.1	0.03736	108.3379	CHISHOLM6 230.00 - ELK CITY 230KV 230KV CKT 1
15G	06ALL	0	FROM->TO	G15_032_230	FPL SWITCH - MOORELAND 138KV CKT 1	284.1	0.03736	108.3379	ELK CITY 230KV (ELKCTY-6) 230/138/13.8KV TRANSFORMER CKT 1
15G	06ALL	0	FROM->TO	G15_032_230	FPL SWITCH - MOORELAND 138KV CKT 1	284.1	0.03779	104.635	G11_051T 345.00 - TATONGA7 345.00 345KV CKT 1
15G	06ALL	0	FROM->TO	G15_032_230	FPL SWITCH - MOORELAND 138KV CKT 1	284.1	0.03779	103.8606	G11_051T 345.00 - WOODWARD DISTRICT EHV 345KV CKT 1
15G	06ALL	0	FROM->TO	G15_032_230	FPL SWITCH - MOORELAND 138KV CKT 1	284.1	0.03779	102.1711	SPSCont-05ax
15G	06ALL	0	FROM->TO	G15_032_230	FPL SWITCH - MOORELAND 138KV CKT 1	284.1	0.02887	101.9958	WOODWARD (WOODWRD2) 138/69/13.2KV TRANSFORMER CKT 1
15G	06ALL	0	TO->FROM	G15_032_230	FPL SWITCH - WOODWARD 138KV CKT 1	285.2	0.04613	112.2791	DBL-THIS-WWRD
15G	06ALL	0	TO->FROM	G15_032_230	FPL SWITCH - WOODWARD 138KV CKT 1	285.2	0.03779	104.8626	NORTHWEST - TATONGA7 345.00 345KV CKT 1
15G	06ALL	0	TO->FROM	G15_032_230	FPL SWITCH - WOODWARD 138KV CKT 1	285.2	0.03779	103.3198	SPSCont-04
15G	06ALL	0	TO->FROM	G15_032_230	FPL SWITCH - WOODWARD 138KV CKT 1	285.2	0.03779	103.0743	SPSCont-05b
15G	06ALL	0	TO->FROM	G15_032_230	FPL SWITCH - WOODWARD 138KV CKT 1	285.2	0.03736	101.5736	CHISHOLM6 230.00 - ELK CITY 230KV 230KV CKT 1
15G	06ALL	0	TO->FROM	G15_032_230	FPL SWITCH - WOODWARD 138KV CKT 1	285.2	0.03736	101.5736	ELK CITY 230KV (ELKCTY-6) 230/138/13.8KV TRANSFORMER CKT 1
15SP	06ALL	0	TO->FROM	G15_032_230	GLASS MOUNTAIN - MOORELAND 138KV CKT 1	122.3	0.02073	109.2265	DBL-THIS-WWRD
20WP	06ALL	0	TO->FROM	G15_032_230	GLASS MOUNTAIN - MOORELAND 138KV CKT 1	122.3	0.02028	101.2379	DBL-THIS-WWRD
15WP	06ALL	0	TO->FROM	G15_032_230	GLASS MOUNTAIN - MOORELAND 138KV CKT 1	122.2	0.02122	100.7185	DBL-THIS-WWRD
15SP	06ALL	0	TO->FROM	G15_032_230	GLASS MOUNTAIN - MOORELAND 138KV CKT 1	122.3	0.01595	100.5086	MOORELAND - NOEL_SW 138.00 138KV CKT 1
15G	06ALL	0	FROM->TO	G15_032_230	Harrington Station East Bus - POTTER COUNTY INTERCHANGE 230KV CKT 1	346.8	-0.01342	107.1944	CHERRY1 - HARRINGTON STATION 230KV CKT 1
15G	06ALL	0	FROM->TO	G15_032_230	Harrington Station East Bus - POTTER COUNTY INTERCHANGE 230KV CKT 1	346.8	-0.01357	103.2907	CHERRY1 - POTTER COUNTY INTERCHANGE 230KV CKT 1
15G	06ALL	0	TO->FROM	G15_032_230	HAYS PLANT - SOUTH HAYS 115KV CKT 1	98.9	0.00607	115.3812	KNOLL 230 - POSTROCK6 230.00 230KV CKT 1
15SP	06ALL	0	FROM->TO	G15_032_230	HAYS PLANT - VINE STREET 115KV CKT 1	88	0.00582	116.8886	KNOLL 230 - POSTROCK6 230.00 230KV CKT 1
15G	06ALL	0	FROM->TO	G15_032_230	HAYS PLANT - VINE STREET 115KV CKT 1	87.9	0.00607	105.9295	KNOLL 230 - POSTROCK6 230.00 230KV CKT 1
15SP	06ALL	0	FROM->TO	G15_032_230	JERICO (JERIC2WT) 115/69/14.4KV TRANSFORMER CKT 1	45.6	0.00663	106.6842	KIRBY SWITCHING STATION - MCCLELLAN SUB 115KV CKT 1
15SP	06ALL	0	FROM->TO	G15_032_230	JERICO (JERIC2WT) 115/69/14.4KV TRANSFORMER CKT 1	45.9	0.00663	105.9869	KIRBY SWITCHING STATION - MCCLELLAN SUB 115KV CKT 1
15SP	06ALL	0	FROM->TO	G15_032_230	JERICO (JERIC2WT) 115/69/14.4KV TRANSFORMER CKT 1	45.6	0.00663	105.3684	MCCLELLAN SUB - MCLEAN RURAL SUB 115KV CKT 1
15SP	06ALL	0	FROM->TO	G15_032_230	JERICO (JERIC2WT) 115/69/14.4KV TRANSFORMER CKT 1	45.9	0.00663	104.6797	MCCLELLAN SUB - MCLEAN RURAL SUB 115KV CKT 1
15G	06ALL	0	FROM->TO	G15_032_230	JERICO (JERIC2WT) 115/69/14.4KV TRANSFORMER CKT 1	45.7	0.00667	101.7155	KIRBY SWITCHING STATION - MCCLELLAN SUB 115KV CKT 1
15SP	06ALL	0	FROM->TO	G15_032_230	JERICO (JERIC2WT) 115/69/14.4KV TRANSFORMER CKT 1	45.6	0.00663	101.6404	SPP-SWPS-T54
15G	06ALL	0	FROM->TO	G15_032_230	JERICO (JERIC2WT) 115/69/14.4KV TRANSFORMER CKT 1	45.9	0.00667	101.2723	KIRBY SWITCHING STATION - MCCLELLAN SUB 115KV CKT 1
15SP	06ALL	0	FROM->TO	G15_032_230	JERICO (JERIC2WT) 115/69/14.4KV TRANSFORMER CKT 1	45.9	0.00663	100.976	SPP-SWPS-T54
15G	06ALL	0	FROM->TO	G15_032_230	JERICO (JERIC2WT) 115/69/14.4KV TRANSFORMER CKT 1	45.7	0.00667	100.4026	MCCLELLAN SUB - MCLEAN RURAL SUB 115KV CKT 1
15SP	06ALL	0	FROM->TO	G15_032_230	JERICO (JERIC2WT) 115/69/14.4KV TRANSFORMER CKT 1	45.6	0.00663	100.1053	MCLEAN RURAL SUB - SHAMROCK 115KV CKT 1
25SP	00NR	0	TO->FROM	G15_032_230	LUBBOCK POWER & LIGHT-CO-OP - LUBBOCK POWER & LIGHT-SLATON 69KV CKT 1	53.5	0.00697	154.3757	LUBBOCK POWER & LIGHT-CO-OP - LUBBOCK POWER & LIGHT-WADSWORTH 69KV CKT 1
20SP	00NR	0	TO->FROM	G15_032_230	LUBBOCK POWER & LIGHT-CO-OP - LUBBOCK POWER & LIGHT-SLATON 69KV CKT 1	53.6	0.00973	138.2817	LUBBOCK POWER & LIGHT-CO-OP - LUBBOCK POWER & LIGHT-WADSWORTH 69KV CKT 1
15SP	00NR	0	TO->FROM	G15_032_230	LUBBOCK POWER & LIGHT-CO-OP - LUBBOCK POWER & LIGHT-SLATON 69KV CKT 1	53.9	0.0096	115.3618	LUBBOCK POWER & LIGHT-CO-OP - LUBBOCK POWER & LIGHT-WADSWORTH 69KV CKT 1
20WP	00NR	0	TO->FROM	G15_032_230	LUBBOCK POWER & LIGHT-CO-OP - LUBBOCK POWER & LIGHT-SLATON 69KV CKT 1	53.9	0.01593	105.5269	LUBBOCK POWER & LIGHT-CO-OP - LUBBOCK POWER & LIGHT-WADSWORTH 69KV CKT 1
25SP	00NR	0	TO->FROM	G15_032_230	LUBBOCK POWER & LIGHT-CO-OP - LUBBOCK POWER & LIGHT-WADSWORTH 69KV CKT 1	105.6	0.00679	126.7396	BASE CASE
25SP	00NR	0	TO->FROM	G15_032_230	LUBBOCK POWER & LIGHT-CO-OP - LUBBOCK POWER & LIGHT-WADSWORTH 69KV CKT 1	141.2	0.0083	125.4179	LUBBOCK POWER & LIGHT-SLATON - LUBBOCK POWER & LIGHT-SOUTHEAST 69KV CKT 1
25SP	00NR	0	TO->FROM	G15_032_230	LUBBOCK POWER & LIGHT-CO-OP - LUBBOCK POWER & LIGHT-WADSWORTH 69KV CKT 1	141.2	0.00913	115.9625	LUBBOCK POWER & LIGHT-SOUTHEAST - LUBBOCK SOUTH INTERCHANGE 230KV CKT 1
25SP	00NR	0	TO->FROM	G15_032_230	LUBBOCK POWER & LIGHT-CO-OP - LUBBOCK POWER & LIGHT-WADSWORTH 69KV CKT 1	141.2	0.00857	114.2146	LUBBOCK POWER & LIGHT-HOLLY GEN - LUBBOCK POWER & LIGHT-NORTHEAST 69KV CKT 1
20SP	00NR	0	TO->FROM	G15_032_230	LUBBOCK POWER & LIGHT-CO-OP - LUBBOCK POWER & LIGHT-WADSWORTH 69KV CKT 1	108	0.00945	113.5509	BASE CASE
20SP	00NR	0	TO->FROM	G15_032_230	LUBBOCK POWER & LIGHT-CO-OP - LUBBOCK POWER & LIGHT-WADSWORTH 69KV CKT 1	143	0.01147	113.3154	LUBBOCK POWER & LIGHT-SLATON - LUBBOCK POWER & LIGHT-SOUTHEAST 69KV CKT 1
25SP	00NR	0	TO->FROM	G15_032_230	LUBBOCK POWER & LIGHT-CO-OP - LUBBOCK POWER & LIGHT-WADSWORTH 69KV CKT 1	141.2	0.00893	111.0333	CARLISLE INTERCHANGE - LUBBOCK POWER & LIGHT-MILWAUKEE 230KV CKT 1
25SP	00NR	0	TO->FROM	G15_032_230	LUBBOCK POWER & LIGHT-CO-OP - LUBBOCK POWER & LIGHT-WADSWORTH 69KV CKT 1	141.2	0.00893	110.9625	LUBBOCK POWER & LIGHT-MILWAUKEE (M-E C0681251) 230/69/13.5KV TRANSFORMER CKT 1
25SP	00NR	0	TO->FROM	G15_032_230	LUBBOCK POWER & LIGHT-CO-OP - LUBBOCK POWER & LIGHT-WADSWORTH 69KV CKT 1	141.2	0.00893	110.9625	SPP-SWPS-K39
15SP	00NR	0	TO->FROM	G15_032_230	LUBBOCK POWER & LIGHT-CO-OP - LUBBOCK POWER & LIGHT-WADSWORTH 69KV CKT 1	108	0.01046	109.6648	BASE CASE
25SP	00NR	0	TO->FROM	G15_032_230	LUBBOCK POWER & LIGHT-CO-OP - LUBBOCK POWER & LIGHT-WADSWORTH 69KV CKT 1	141.2	0.00705	108.7217	LUBBOCK POWER & LIGHT-OLIVER - LUBBOCK POWER & LIGHT-SOUTHEAST 69KV CKT 1
15SP	00NR	0	TO->FROM	G15_032_230	LUBBOCK POWER & LIGHT-CO-OP - LUBBOCK POWER & LIGHT-WADSWORTH 69KV CKT 1	143	0.01206	104.558	LUBBOCK POWER & LIGHT-SLATON - LUBBOCK POWER & LIGHT-SOUTHEAST 69KV CKT 1

SEASON	GROUP	SCENARIO	DIRECTION	SOURCE	MONITORED ELEMENT	RATE (MVA)	TDF	CONTINGENCY LOADING %	CONTINGENCY
25SP	00NR		0 TO->FROM	G15_032_230	LUBBOCK POWER & LIGHT-CO-OP - LUBBOCK POWER & LIGHT-WADSWORTH 69KV CKT 1	141.2	0.00857	103.3789	LUBBOCK POWER & LIGHT-MACKENZIE GEN - LUBBOCK POWER & LIGHT-NORTHEAST 69KV CKT 1
20SP	00NR		0 TO->FROM	G15_032_230	LUBBOCK POWER & LIGHT-CO-OP - LUBBOCK POWER & LIGHT-WADSWORTH 69KV CKT 1	143	0.01176	103.3063	LUBBOCK POWER & LIGHT-HOLLY GEN - LUBBOCK POWER & LIGHT-NORTHEAST 69KV CKT 1
20SP	00NR		0 TO->FROM	G15_032_230	LUBBOCK POWER & LIGHT-CO-OP - LUBBOCK POWER & LIGHT-WADSWORTH 69KV CKT 1	143	0.0132	103.2587	LUBBOCK POWER & LIGHT-SOUTHEAST - LUBBOCK SOUTH INTERCHANGE 230KV CKT 1
25SP	00NR		0 TO->FROM	G15_032_230	LUBBOCK POWER & LIGHT-CO-OP - LUBBOCK POWER & LIGHT-WADSWORTH 69KV CKT 1	141.2	0.00767	102.6919	LUBBOCK POWER & LIGHT-SOUTHEAST (ABB 60258) 230/69/13.5KV TRANSFORMER CKT 1
25SP	00NR		0 TO->FROM	G15_032_230	LUBBOCK POWER & LIGHT-CO-OP - LUBBOCK POWER & LIGHT-WADSWORTH 69KV CKT 1	141.2	0.00761	102.1834	LUBBOCK POWER & LIGHT-SOUTHEAST (FRM WADSWRTH) 230/69/13.5KV TRANSFORMER CKT 2
25SP	00NR		0 TO->FROM	G15_032_230	LUBBOCK POWER & LIGHT-CO-OP - LUBBOCK POWER & LIGHT-WADSWORTH 69KV CKT 1	141.2	0.0071	101.5085	LUBBOCK POWER & LIGHT-CHALKER - LUBBOCK POWER & LIGHT-THOMPSON 69KV CKT 1
25SP	00NR		0 TO->FROM	G15_032_230	LUBBOCK POWER & LIGHT-CO-OP - LUBBOCK POWER & LIGHT-WADSWORTH 69KV CKT 1	141.2	0.00619	100.8194	LUBBOCK POWER & LIGHT-HOLLY GEN - LUBBOCK POWER & LIGHT-SOUTHEAST 69KV CKT 1
25SP	00NR		0 TO->FROM	G15_032_230	LUBBOCK POWER & LIGHT-CO-OP - LUBBOCK POWER & LIGHT-WADSWORTH 69KV CKT 1	141.2	0.00705	100.4356	LUBBOCK POWER & LIGHT-CHALKER - LUBBOCK POWER & LIGHT-OLIVER 69KV CKT 1
25SP	00NR		0 TO->FROM	G15_032_230	LUBBOCK POWER & LIGHT-SLATON - LUBBOCK POWER & LIGHT-SOUTHEAST 69KV CKT 1	143	0.00714	121.1483	LUBBOCK POWER & LIGHT-CO-OP - LUBBOCK POWER & LIGHT-WADSWORTH 69KV CKT 1
20SP	00NR		0 TO->FROM	G15_032_230	LUBBOCK POWER & LIGHT-SLATON - LUBBOCK POWER & LIGHT-SOUTHEAST 69KV CKT 1	142.8	0.00971	110.7934	LUBBOCK POWER & LIGHT-CO-OP - LUBBOCK POWER & LIGHT-WADSWORTH 69KV CKT 1
20SP	00NR		0 TO->FROM	G15_032_230	LUBBOCK POWER & LIGHT-SLATON - LUBBOCK POWER & LIGHT-SOUTHEAST 69KV CKT 1	142.8	0.0059	109.0126	LUBBOCK POWER & LIGHT-OLIVER - LUBBOCK POWER & LIGHT-SOUTHEAST 69KV CKT 1
20SP	06ALL		0 TO->FROM	G15_032_230	NORGE ROAD - SOUTHWESTERN STATION 138KV CKT 1	135.7	0.01109	110.7561	SOUTHWESTERN STATION - VERDEN 138KV CKT 1
20SP	06ALL		0 TO->FROM	G15_032_230	NORGE ROAD - SOUTHWESTERN STATION 138KV CKT 1	135.7	0.01109	109.2822	NORTH 29TH CHICKASHA - VERDEN 138KV CKT 1
20SP	06ALL		0 TO->FROM	G15_032_230	NORGE ROAD - SOUTHWESTERN STATION 138KV CKT 1	135.7	0.01585	106.4716	CIMARRON - MINCO 345KV CKT 1
20SP	06ALL		0 TO->FROM	G15_032_230	NORGE ROAD - SOUTHWESTERN STATION 138KV CKT 1	135.7	0.01109	106.2609	CORNVILLE - NORTH 29TH CHICKASHA 138KV CKT 1
20SP	06ALL		0 TO->FROM	G15_032_230	NORGE ROAD - SOUTHWESTERN STATION 138KV CKT 1	135.7	0.01027	104.1297	ANADARKO - CORN TAP 138KV CKT 1
20SP	06ALL		0 TO->FROM	G15_032_230	NORGE ROAD - SOUTHWESTERN STATION 138KV CKT 1	135.7	0.01585	102.9344	GRACEMONT - MINCO 345KV CKT 1
25SP	06ALL		0 TO->FROM	G15_032_230	NORGE ROAD - SOUTHWESTERN STATION 138KV CKT 1	135.8	0.01064	100.0972	SOUTHWESTERN STATION - VERDEN 138KV CKT 1
15SP	06ALL		0 FROM->TO	G15_032_230	PRINGLE INTERCHANGE - SPEARMAN INTERCHANGE 115KV CKT 1	159.7	0.03567	103.4915	PRINGLE INTERCHANGE - SPEARMAN INTERCHANGE 115KV CKT 2
15G	06ALL		0 FROM->TO	G15_032_230	PRINGLE INTERCHANGE - SPEARMAN INTERCHANGE 115KV CKT 1	158.4	0.03441	102.2778	PRINGLE INTERCHANGE - SPEARMAN INTERCHANGE 115KV CKT 2
15G	06ALL		0 FROM->TO	G15_032_230	SHAMROCK (SHAMRCK1) 115/69/14.4KV TRANSFORMER CKT 1	66	0.01345	105.2818	CHISHOLM6 230.00 - SWEETWATER 230KV CKT 1
15G	06ALL		0 FROM->TO	G15_032_230	SHAMROCK (SHAMRCK1) 115/69/14.4KV TRANSFORMER CKT 1	66	0.01221	104.9303	HWRDWCK2 69.000 - JERICO 69KV CKT 1
15G	06ALL		0 FROM->TO	G15_032_230	SHAMROCK (SHAMRCK1) 115/69/14.4KV TRANSFORMER CKT 1	66	0.01221	104.9303	JERICO - KIRBY SWITCHING STATION 115KV CKT 1
15G	06ALL		0 FROM->TO	G15_032_230	SHAMROCK (SHAMRCK1) 115/69/14.4KV TRANSFORMER CKT 1	66	0.01221	104.9303	JERICO (JERIC2WT) 115/69/14.4KV TRANSFORMER CKT 1
15G	06ALL		0 FROM->TO	G15_032_230	SHAMROCK (SHAMRCK1) 115/69/14.4KV TRANSFORMER CKT 1	66	0.01221	104.1727	CLARENDON - HWRDWCK2 69.000 69KV CKT 1
15G	06ALL		0 FROM->TO	G15_032_230	SHAMROCK (SHAMRCK1) 115/69/14.4KV TRANSFORMER CKT 1	66	0.01312	103.8788	G14-074T 345.00 - OKLAUNION 345KV CKT 1
15G	06ALL		0 FROM->TO	G15_032_230	SHAMROCK (SHAMRCK1) 115/69/14.4KV TRANSFORMER CKT 1	67.1	0.01345	103.7049	CHISHOLM6 230.00 - SWEETWATER 230KV CKT 1
15G	06ALL		0 FROM->TO	G15_032_230	SHAMROCK (SHAMRCK1) 115/69/14.4KV TRANSFORMER CKT 1	67.1	0.01221	103.3592	HWRDWCK2 69.000 - JERICO 69KV CKT 1
15G	06ALL		0 FROM->TO	G15_032_230	SHAMROCK (SHAMRCK1) 115/69/14.4KV TRANSFORMER CKT 1	67.1	0.01221	103.3592	JERICO - KIRBY SWITCHING STATION 115KV CKT 1
15G	06ALL		0 FROM->TO	G15_032_230	SHAMROCK (SHAMRCK1) 115/69/14.4KV TRANSFORMER CKT 1	67.1	0.01221	103.3592	JERICO (JERIC2WT) 115/69/14.4KV TRANSFORMER CKT 1
15G	06ALL		0 FROM->TO	G15_032_230	SHAMROCK (SHAMRCK1) 115/69/14.4KV TRANSFORMER CKT 1	66	0.01345	103.0091	GRAPEVINE INTERCHANGE - STATELINE INTERCHANGE 230KV CKT 1
15G	06ALL		0 FROM->TO	G15_032_230	SHAMROCK (SHAMRCK1) 115/69/14.4KV TRANSFORMER CKT 1	66	0.01236	102.6606	CHISHOLM6 230.00 - ELK CITY 230KV 230KV CKT 1
15G	06ALL		0 FROM->TO	G15_032_230	SHAMROCK (SHAMRCK1) 115/69/14.4KV TRANSFORMER CKT 1	66	0.01236	102.6606	ELK CITY 230KV (ELKCTY-6) 230/138/13.8KV TRANSFORMER CKT 1
15G	06ALL		0 FROM->TO	G15_032_230	SHAMROCK (SHAMRCK1) 115/69/14.4KV TRANSFORMER CKT 1	67.1	0.01221	102.614	CLARENDON - HWRDWCK2 69.000 69KV CKT 1
15G	06ALL		0 FROM->TO	G15_032_230	SHAMROCK (SHAMRCK1) 115/69/14.4KV TRANSFORMER CKT 1	66	0.01275	102.5606	CHISHOLM7 345.00 - GRACEMONT 345KV CKT 1
15G	06ALL		0 FROM->TO	G15_032_230	SHAMROCK (SHAMRCK1) 115/69/14.4KV TRANSFORMER CKT 1	67.1	0.01312	102.4739	G14-074T 345.00 - OKLAUNION 345KV CKT 1
15G	06ALL		0 FROM->TO	G15_032_230	SHAMROCK (SHAMRCK1) 115/69/14.4KV TRANSFORMER CKT 1	67.1	0.01345	101.4694	GRAPEVINE INTERCHANGE - STATELINE INTERCHANGE 230KV CKT 1
15G	06ALL		0 FROM->TO	G15_032_230	SHAMROCK (SHAMRCK1) 115/69/14.4KV TRANSFORMER CKT 1	67.1	0.01236	101.2757	CHISHOLM6 230.00 - ELK CITY 230KV 230KV CKT 1
15G	06ALL		0 FROM->TO	G15_032_230	SHAMROCK (SHAMRCK1) 115/69/14.4KV TRANSFORMER CKT 1	66	0.01221	101.1424	CLARENDON - CLARENDON REC 69KV CKT 1
15G	06ALL		0 FROM->TO	G15_032_230	SHAMROCK (SHAMRCK1) 115/69/14.4KV TRANSFORMER CKT 1	67.1	0.01236	101.1267	ELK CITY 230KV (ELKCTY-6) 230/138/13.8KV TRANSFORMER CKT 1
15G	06ALL		0 FROM->TO	G15_032_230	SHAMROCK (SHAMRCK1) 115/69/14.4KV TRANSFORMER CKT 1	67.1	0.01275	101.0283	CHISHOLM7 345.00 - GRACEMONT 345KV CKT 1
15G	06ALL		0 FROM->TO	G15_032_230	SHAMROCK (SHAMRCK1) 115/69/14.4KV TRANSFORMER CKT 1	66	0.01312	100.5455	G14-074T 345.00 - TUCO INTERCHANGE 345KV CKT 1
20WP	06ALL		0 TO->FROM	G15_032_230	SUNSHINE CANYON - TUTTLE 138KV CKT 1	140.9	0.02071	109.0419	CIMARRON - MINCO 345KV CKT 1
20SP	06ALL		0 TO->FROM	G15_032_230	SUNSHINE CANYON - TUTTLE 138KV CKT 1	141.6	0.02172	104.6977	CIMARRON - MINCO 345KV CKT 1
20WP	06ALL		0 TO->FROM	G15_032_230	SUNSHINE CANYON - TUTTLE 138KV CKT 1	140.9	0.02071	104.3577	GRACEMONT - MINCO 345KV CKT 1
15SP	06ALL		0 TO->FROM	G15_032_230	SUNSHINE CANYON - TUTTLE 138KV CKT 1	141.6	0.02307	104.1441	CIMARRON - MINCO 345KV CKT 1
20SP	06ALL		0 TO->FROM	G15_032_230	SUNSHINE CANYON - TUTTLE 138KV CKT 1	141.6	0.02172	100.1073	GRACEMONT - MINCO 345KV CKT 1
15SP	06ALL		0 FROM->TO	G15_032_230	THOMAS TAP - WEATHERFORD 69KV CKT 1	39	0.00789	114.2205	CLINTON JUNCTION - CLINTON NATURAL GAS TAP 138KV CKT 1
15G	06ALL		0 FROM->TO	G15_032_230	TUCO INTERCHANGE (GE M1022338) 345/230/13.2KV TRANSFORMER CKT 1	555.1	0.14858	101.8707	TUCO INTERCHANGE (SIEM 8743066) 345/230/13.2KV TRANSFORMER CKT 2
15G	06ALL		0 FROM->TO	G15_032_230	TUCO INTERCHANGE (GE M1022338) 345/230/13.2KV TRANSFORMER CKT 1	557.4	0.14858	101.3965	TUCO INTERCHANGE (SIEM 8743066) 345/230/13.2KV TRANSFORMER CKT 2
20WP	06ALL		0 TO->FROM	G15_032_230	TUCO_2 345.00 (TUCO_2 XFMR) 345/230/13.2KV TRANSFORMER CKT 1	559.5	0.15339	112.1895	TUCO INTERCHANGE - TUCO_2 345.00 345KV CKT 1
20WP	06ALL		0 TO->FROM	G15_032_230	TUCO_2 345.00 (TUCO_2 XFMR) 345/230/13.2KV TRANSFORMER CKT 1	559.9	0.15339	112.0736	TUCO INTERCHANGE - TUCO_2 345.00 345KV CKT 1

SEASON	GROUP	SCENARIO	DIRECTION	SOURCE	MONITORED ELEMENT	RATE (MVA)	TDF	CONTINGENCY LOADING %	CONTINGENCY
15G	06ALL	0	FROM->TO	G15_032_230	WICHITA (WICH TX-12) 345/138/13.8KV TRANSFORMER CKT 1	413.2	0.01242	106.6563	WICHITA (WICH TX-11) 345/138/13.8KV TRANSFORMER CKT 1
15G	06ALL	0	FROM->TO	G15_032_230	WICHITA (WICH TX-12) 345/138/13.8KV TRANSFORMER CKT 1	419.7	0.01242	104.8854	WICHITA (WICH TX-11) 345/138/13.8KV TRANSFORMER CKT 1
15WP	06ALL	0	FROM->TO	G15_032_230	WICHITA (WICH TX-12) 345/138/13.8KV TRANSFORMER CKT 1	414.2	0.01208	102.3901	WICHITA (WICH TX-11) 345/138/13.8KV TRANSFORMER CKT 1
15WP	06ALL	0	FROM->TO	G15_032_230	WICHITA (WICH TX-12) 345/138/13.8KV TRANSFORMER CKT 1	420.2	0.01208	100.8091	WICHITA (WICH TX-11) 345/138/13.8KV TRANSFORMER CKT 1
25SP	00NR	0	FROM->TO	G15_032_230	WOLFORTH INTERCHANGE (WH 7001668) 230/115/13.2KV TRANSFORMER CKT 1	140.3	0.00591	100.2658	CARLISLE INTERCHANGE (CARLSLE_XF) 230/115/13.2KV TRANSFORMER CKT 1
15G	06ALL	0	FROM->TO	G15_032_230	WOODWARD (WOODWRD2) 138/69/13.2KV TRANSFORMER CKT 1	133.3	0.0107	100.018	FPL SWITCH - MOORELAND 138KV CKT 1
20SP	06ALL	2	FROM->TO	G15_032_230	ANADARKO - CORN TAP 138KV CKT 1	142.8	0.01474	100.2171	CIMARRON - MINCO 345KV CKT 1
15G	06ALL	2	TO->FROM	G15_032_230	ANADARKO - GRACMNT4 138.00 138KV CKT 1	225.1	0.05348	127.6917	CIMARRON - MINCO 345KV CKT 1
15G	06ALL	2	TO->FROM	G15_032_230	ANADARKO - GRACMNT4 138.00 138KV CKT 1	225.1	0.05348	119.5175	GRACEMONT - MINCO 345KV CKT 1
15G	06ALL	2	TO->FROM	G15_032_230	ANADARKO - GRACMNT4 138.00 138KV CKT 1	225.1	0.03046	106.9853	SOUTHWESTERN STATION - WASHITA 138KV CKT 1
15SP	06ALL	2	FROM->TO	G15_032_230	BENTLEY4 138.00 - HALSTEAD SOUTH BUS 138KV CKT 1	142.2	0.00691	108.2771	RENO COUNTY - WICHITA 345KV CKT 1
20WP	06ALL	2	FROM->TO	G15_032_230	CLEARWATER - GILL ENERGY CENTER WEST 138KV CKT 1	142.9	0.01157	119.4794	GILL ENERGY CENTER SOUTH - VIOLA 4 138.00 138KV CKT 1
20SP	06ALL	2	FROM->TO	G15_032_230	CLEARWATER - GILL ENERGY CENTER WEST 138KV CKT 1	142.2	0.01391	102.4191	GILL ENERGY CENTER SOUTH - VIOLA 4 138.00 138KV CKT 1
15SP	06ALL	2	TO->FROM	G15_032_230	CLINTON CITY - FOSS TAP 69KV CKT 1	74.5	0.00789	103.4175	CLINTON JUNCTION - CLINTON NATURAL GAS TAP 138KV CKT 1
15SP	06ALL	2	FROM->TO	G15_032_230	CLINTON CITY - THOMAS TAP 69KV CKT 1	38.9	0.00789	125.5681	CLINTON JUNCTION - CLINTON NATURAL GAS TAP 138KV CKT 1
20SP	06ALL	2	FROM->TO	G15_032_230	CLINTON CITY - THOMAS TAP 69KV CKT 1	39	0.00753	102.8974	CLINTON JUNCTION - CLINTON NATURAL GAS TAP 138KV CKT 1
15G	06ALL	2	FROM->TO	G15_032_230	CLINTON CITY - THOMAS TAP 69KV CKT 1	47.9	0.00768	101.0731	CLINTON JUNCTION - CLINTON NATURAL GAS TAP 138KV CKT 1
15SP	06ALL	2	TO->FROM	G15_032_230	CLINTON JUNCTION - ELK CITY 138KV CKT 1	148.8	0.0427	140.5685	CHISHOLM7 345.00 - GRACEMONT 345KV CKT 1
15G	06ALL	2	TO->FROM	G15_032_230	CLINTON JUNCTION - ELK CITY 138KV CKT 1	185.1	0.04129	124.0551	CHISHOLM7 345.00 - GRACEMONT 345KV CKT 1
15SP	06ALL	2	TO->FROM	G15_032_230	CLINTON JUNCTION - ELK CITY 138KV CKT 1	148.8	0.03598	122.8306	G14-074T 345.00 - OKLAUNION 345KV CKT 1
15SP	06ALL	2	TO->FROM	G15_032_230	CLINTON JUNCTION - ELK CITY 138KV CKT 1	148.8	0.02203	120.3078	ONEY - WASHITA 138KV CKT 1
15SP	06ALL	2	TO->FROM	G15_032_230	CLINTON JUNCTION - ELK CITY 138KV CKT 1	148.8	0.03598	118.7984	G14-074T 345.00 - TUCO INTERCHANGE 345KV CKT 1
15SP	06ALL	2	TO->FROM	G15_032_230	CLINTON JUNCTION - ELK CITY 138KV CKT 1	148.8	0.03264	118.0269	NORTHWEST - TATONGA7 345.00 345KV CKT 1
15SP	06ALL	2	TO->FROM	G15_032_230	CLINTON JUNCTION - ELK CITY 138KV CKT 1	148.8	0.02203	117.754	BINGER NIJECT - ONEY 138KV CKT 1
15SP	06ALL	2	TO->FROM	G15_032_230	CLINTON JUNCTION - ELK CITY 138KV CKT 1	148.8	0.03264	117.5564	SPSCont-05b
15SP	06ALL	2	TO->FROM	G15_032_230	CLINTON JUNCTION - ELK CITY 138KV CKT 1	148.8	0.03264	117.1532	SPSCont-04
15SP	06ALL	2	TO->FROM	G15_032_230	CLINTON JUNCTION - ELK CITY 138KV CKT 1	148.8	0.03318	116.9839	DBL-THIS-WWRD
15SP	06ALL	2	TO->FROM	G15_032_230	CLINTON JUNCTION - ELK CITY 138KV CKT 1	132.4	0.0287	116.0755	BASE CASE
15SP	06ALL	2	TO->FROM	G15_032_230	CLINTON JUNCTION - ELK CITY 138KV CKT 1	148.8	0.03259	115.5282	CLINTON AIR FORCE BASE TAP - ELK CITY 138KV CKT 1
15SP	06ALL	2	TO->FROM	G15_032_230	CLINTON JUNCTION - ELK CITY 138KV CKT 1	148.8	0.03543	115.3185	CHISHOLM7 345.00 - WOODWARD DISTRICT EHV 345KV CKT 1
15SP	06ALL	2	TO->FROM	G15_032_230	CLINTON JUNCTION - ELK CITY 138KV CKT 1	148.8	0.03259	114.6546	CLINTON AIR FORCE BASE TAP - HOBART JUNCTION 138KV CKT 1
15SP	06ALL	2	TO->FROM	G15_032_230	CLINTON JUNCTION - ELK CITY 138KV CKT 1	148.8	0.02203	113.5874	BINGER NIJECT - SICKLES 138KV CKT 1
15SP	06ALL	2	TO->FROM	G15_032_230	CLINTON JUNCTION - ELK CITY 138KV CKT 1	148.8	0.03264	113.457	G11_051T 345.00 - TATONGA7 345.00 345KV CKT 1
15SP	06ALL	2	TO->FROM	G15_032_230	CLINTON JUNCTION - ELK CITY 138KV CKT 1	148.8	0.02203	112.9825	CLINTON JUNCTION - G07-32T 138.00 138KV CKT 1
15SP	06ALL	2	TO->FROM	G15_032_230	CLINTON JUNCTION - ELK CITY 138KV CKT 1	148.8	0.0287	112.8253	G07-32 138.00 - G07-32T 138.00 138KV CKT 1
15SP	06ALL	2	TO->FROM	G15_032_230	CLINTON JUNCTION - ELK CITY 138KV CKT 1	148.8	0.0287	112.8253	G07-32 138.00 138/34.5KV TRANSFORMER CKT 1
15SP	06ALL	2	TO->FROM	G15_032_230	CLINTON JUNCTION - ELK CITY 138KV CKT 1	148.8	0.0287	112.8253	G07-32 34.500 34.5/12.0KV TRANSFORMER CKT 1
15SP	06ALL	2	TO->FROM	G15_032_230	CLINTON JUNCTION - ELK CITY 138KV CKT 1	148.8	0.0287	111.414	WASHITA - WEATHERFORD WIND FARM 34 kv 34.5KV CKT 1
15WP	06ALL	2	TO->FROM	G15_032_230	CLINTON JUNCTION - ELK CITY 138KV CKT 1	186.8	0.04364	111.151	CHISHOLM7 345.00 - GRACEMONT 345KV CKT 1
20SP	06ALL	2	TO->FROM	G15_032_230	CLINTON JUNCTION - ELK CITY 138KV CKT 1	151.1	0.04235	109.3726	CHISHOLM7 345.00 - GRACEMONT 345KV CKT 1
20SP	06ALL	2	TO->FROM	G15_032_230	CLINTON JUNCTION - ELK CITY 138KV CKT 1	151.1	0.02191	106.454	ONEY - WASHITA 138KV CKT 1
15G	06ALL	2	TO->FROM	G15_032_230	CLINTON JUNCTION - ELK CITY 138KV CKT 1	185.1	0.03468	105.7796	G14-074T 345.00 - OKLAUNION 345KV CKT 1
20SP	06ALL	2	TO->FROM	G15_032_230	CLINTON JUNCTION - ELK CITY 138KV CKT 1	151.1	0.02191	103.8729	BINGER NIJECT - ONEY 138KV CKT 1
20WP	06ALL	2	TO->FROM	G15_032_230	CLINTON JUNCTION - ELK CITY 138KV CKT 1	187.5	0.04177	102.7275	CHISHOLM7 345.00 - GRACEMONT 345KV CKT 1
15G	06ALL	2	TO->FROM	G15_032_230	CLINTON JUNCTION - ELK CITY 138KV CKT 1	185.1	0.03468	102.6461	G14-074T 345.00 - TUCO INTERCHANGE 345KV CKT 1
15G	06ALL	2	TO->FROM	G15_032_230	CLINTON JUNCTION - ELK CITY 138KV CKT 1	185.1	0.03158	102.3198	NORTHWEST - TATONGA7 345.00 345KV CKT 1
15G	06ALL	2	TO->FROM	G15_032_230	CLINTON JUNCTION - ELK CITY 138KV CKT 1	185.1	0.03158	101.9416	SPSCont-05b
15G	06ALL	2	TO->FROM	G15_032_230	CLINTON JUNCTION - ELK CITY 138KV CKT 1	185.1	0.03158	101.6175	SPSCont-04
15G	06ALL	2	TO->FROM	G15_032_230	CLINTON JUNCTION - ELK CITY 138KV CKT 1	185.1	0.03139	101.5051	CLINTON AIR FORCE BASE TAP - ELK CITY 138KV CKT 1
15G	06ALL	2	TO->FROM	G15_032_230	CLINTON JUNCTION - ELK CITY 138KV CKT 1	185.1	0.03139	100.9109	CLINTON AIR FORCE BASE TAP - HOBART JUNCTION 138KV CKT 1
15G	06ALL	2	TO->FROM	G15_032_230	CLINTON JUNCTION - ELK CITY 138KV CKT 1	185.1	0.03429	100.2247	CHISHOLM7 345.00 - WOODWARD DISTRICT EHV 345KV CKT 1
15SP	06ALL	2	FROM->TO	G15_032_230	CLINTON JUNCTION - FOSS TAP 69KV CKT 1	74.7	0.00789	104.3454	CLINTON JUNCTION - CLINTON NATURAL GAS TAP 138KV CKT 1
15SP	06ALL	2	TO->FROM	G15_032_230	COMANCHE TAP - TOSCO 69KV CKT 1	39	0.00564	103.9128	G14-057T 345.00 - SUNNYSIDE 345KV CKT 1
15SP	06ALL	2	TO->FROM	G15_032_230	COMANCHE TAP - TOSCO 69KV CKT 1	39	0.00564	101.0923	G14-057T 345.00 - LAWTON EASTSIDE 345KV CKT 1
20WP	06ALL	2	FROM->TO	G15_032_230	CORN TAP - PAYNE 138.00 138KV CKT 1	141.6	0.0178	111.2034	G14-057T 345.00 - SUNNYSIDE 345KV CKT 1
20WP	06ALL	2	FROM->TO	G15_032_230	CORN TAP - PAYNE 138.00 138KV CKT 1	141.6	0.0178	109.4378	G14-057T 345.00 - LAWTON EASTSIDE 345KV CKT 1
15WP	06ALL	2	FROM->TO	G15_032_230	CORN TAP - PAYNE 138.00 138KV CKT 1	141.4	0.01847	109.1033	G14-057T 345.00 - SUNNYSIDE 345KV CKT 1
20WP	06ALL	2	FROM->TO	G15_032_230	CORN TAP - PAYNE 138.00 138KV CKT 1	141.6	0.0181	107.5169	CIMARRON - MINCO 345KV CKT 1
15WP	06ALL	2	FROM->TO	G15_032_230	CORN TAP - PAYNE 138.00 138KV CKT 1	141.4	0.01847	107.4059	G14-057T 345.00 - LAWTON EASTSIDE 345KV CKT 1
20WP	06ALL	2	FROM->TO	G15_032_230	CORN TAP - PAYNE 138.00 138KV CKT 1	141.6	0.01414	105.822	ANADARKO - BLANCHARD 138KV CKT 1
20WP	06ALL	2	FROM->TO	G15_032_230	CORN TAP - PAYNE 138.00 138KV CKT 1	141.6	0.0181	104.4802	GRACEMONT - MINCO 345KV CKT 1
20WP	06ALL	2	FROM->TO	G15_032_230	CORN TAP - PAYNE 138.00 138KV CKT 1	141.6	0.01414	103.8446	BLANCHARD - OUSW4 138KV CKT 1
15WP	06ALL	2	FROM->TO	G15_032_230	CORN TAP - PAYNE 138.00 138KV CKT 1	141.4	0.01889	102.0679	CIMARRON - MINCO 345KV CKT 1
15WP	06ALL	2	FROM->TO	G15_032_230	CORN TAP - PAYNE 138.00 138KV CKT 1	141.4	0.01473	100.6351	ANADARKO - BLANCHARD 138KV CKT 1

SEASON	GROUP	SCENARIO	DIRECTION	SOURCE	MONITORED ELEMENT	RATE (MVA)	TDF	CONTINGENCY	
								LOADING %	CONTINGENCY
15SP	06ALL		2	FROM->TO	G15_032_230 DUNCAN - TOSCO 69KV CKT 1	38.9	0.00564	108.2931	G14-057T 345.00 - SUNNYSIDE 345KV CKT 1
15SP	06ALL		2	FROM->TO	G15_032_230 DUNCAN - TOSCO 69KV CKT 1	38.9	0.00564	105.7224	G14-057T 345.00 - LAWTON EASTSIDE 345KV CKT 1
15WP	06ALL		2	FROM->TO	G15_032_230 DUNCAN - TOSCO 69KV CKT 1	47.8	0.00584	100.9331	G14-057T 345.00 - SUNNYSIDE 345KV CKT 1
20WP	06ALL		2	FROM->TO	G15_032_230 DUNCAN - TOSCO 69KV CKT 1	47.9	0.00547	100.8852	G14-057T 345.00 - SUNNYSIDE 345KV CKT 1
15SP	06ALL		2	TO->FROM	G15_032_230 EARLSBORO 4138.00 - MAUD 138KV CKT 1	97.7	0.0072	106.0778	MAUD (MAUD1) 138/69/13.2KV TRANSFORMER CKT 1
15SP	06ALL		2	TO->FROM	G15_032_230 EARLSBORO 4138.00 - MAUD 138KV CKT 1	97.7	0.007	101.042	CANADIAN RIVER - MCALESTER SOUTH 138KV CKT 1
15SP	06ALL		2	TO->FROM	G15_032_230 EARLSBORO 4138.00 - MAUD 138KV CKT 1	97.7	0.00691	101.042	PRINGLE INTERCHANGE - SPEARMAN INTERCHANGE 115KV CKT 2
25SP	06ALL		2	FROM->TO	G15_032_230 EDDY_NORTH 6230.00 (WAUK WT01134) 230/115/13.2KV TRANSFORMER CKT 2	285	0.01214	104.9039	EDDY COUNTY INTERCHANGE - EDDY_NORTH 6230.00 230KV CKT @1
25SP	06ALL		2	FROM->TO	G15_032_230 EDDY_NORTH 6230.00 (WAUK WT01134) 230/115/13.2KV TRANSFORMER CKT 2	286.3	0.01214	104.3577	EDDY COUNTY INTERCHANGE - EDDY_NORTH 6230.00 230KV CKT @1
15G	06ALL		2	FROM->TO	G15_032_230 ELDORADO - ELDORADO JCT 69KV CKT 1	26.9	0.00827	100.8178	LAKE PAULINE - RUSSELL 138KV CKT 1
15G	06ALL		2	FROM->TO	G15_032_230 ELK CITY 230KV (ELKCTY-6) 230/138/13.8KV TRANSFORMER CKT 1	446.9	0.09601	117.0611	CHISHOLM7 345.00 - GRACEMONT 345KV CKT 1
15SP	06ALL		2	FROM->TO	G15_032_230 ELK CITY 230KV (ELKCTY-6) 230/138/13.8KV TRANSFORMER CKT 1	446.4	0.10154	117.0408	CHISHOLM7 345.00 - GRACEMONT 345KV CKT 1
15G	06ALL		2	FROM->TO	G15_032_230 ELK CITY 230KV (ELKCTY-6) 230/138/13.8KV TRANSFORMER CKT 1	449.3	0.09601	116.5248	CHISHOLM7 345.00 - GRACEMONT 345KV CKT 1
15SP	06ALL		2	FROM->TO	G15_032_230 ELK CITY 230KV (ELKCTY-6) 230/138/13.8KV TRANSFORMER CKT 1	449.3	0.10154	116.3966	CHISHOLM7 345.00 - GRACEMONT 345KV CKT 1
15WP	06ALL		2	FROM->TO	G15_032_230 ELK CITY 230KV (ELKCTY-6) 230/138/13.8KV TRANSFORMER CKT 1	447.2	0.10437	112.4481	CHISHOLM7 345.00 - GRACEMONT 345KV CKT 1
15WP	06ALL		2	FROM->TO	G15_032_230 ELK CITY 230KV (ELKCTY-6) 230/138/13.8KV TRANSFORMER CKT 1	449.3	0.10437	112.0116	CHISHOLM7 345.00 - GRACEMONT 345KV CKT 1
20WP	06ALL		2	FROM->TO	G15_032_230 ELK CITY 230KV (ELKCTY-6) 230/138/13.8KV TRANSFORMER CKT 1	448.3	0.10025	106.7816	CHISHOLM7 345.00 - GRACEMONT 345KV CKT 1
20WP	06ALL		2	FROM->TO	G15_032_230 ELK CITY 230KV (ELKCTY-6) 230/138/13.8KV TRANSFORMER CKT 1	449.7	0.10025	106.5159	CHISHOLM7 345.00 - GRACEMONT 345KV CKT 1
15SP	06ALL		2	FROM->TO	G15_032_230 ELK CITY 230KV (ELKCTY-6) 230/138/13.8KV TRANSFORMER CKT 1	446.4	0.08631	103.6456	G14-074T 345.00 - OKLAUNION 345KV CKT 1
15SP	06ALL		2	FROM->TO	G15_032_230 ELK CITY 230KV (ELKCTY-6) 230/138/13.8KV TRANSFORMER CKT 1	449.3	0.08631	103.0879	G14-074T 345.00 - OKLAUNION 345KV CKT 1
15SP	06ALL		2	FROM->TO	G15_032_230 ELK CITY 230KV (ELKCTY-6) 230/138/13.8KV TRANSFORMER CKT 1	446.4	0.0925	101.8208	CHISHOLM7 345.00 - WOODWARD DISTRICT EHV 345KV CKT 1
15SP	06ALL		2	FROM->TO	G15_032_230 ELK CITY 230KV (ELKCTY-6) 230/138/13.8KV TRANSFORMER CKT 1	449.3	0.0925	101.2526	CHISHOLM7 345.00 - WOODWARD DISTRICT EHV 345KV CKT 1
15SP	06ALL		2	FROM->TO	G15_032_230 ELK CITY 230KV (ELKCTY-6) 230/138/13.8KV TRANSFORMER CKT 1	446.4	0.08631	100.1958	G14-074T 345.00 - TUCO INTERCHANGE 345KV CKT 1
15G	06ALL		2	FROM->TO	G15_032_230 FPL SWITCH - MOORELAND 138KV CKT 1	284.1	0.04613	119.12	DBL-THIS-WWRD
15G	06ALL		2	FROM->TO	G15_032_230 FPL SWITCH - MOORELAND 138KV CKT 1	284.1	0.03779	111.6396	NORTHWEST - TATONGA7 345.00 345KV CKT 1
15G	06ALL		2	FROM->TO	G15_032_230 FPL SWITCH - MOORELAND 138KV CKT 1	284.1	0.03779	110.0908	SPSCont-04
15G	06ALL		2	FROM->TO	G15_032_230 FPL SWITCH - MOORELAND 138KV CKT 1	284.1	0.03779	109.8444	SPSCont-05b
15G	06ALL		2	FROM->TO	G15_032_230 FPL SWITCH - MOORELAND 138KV CKT 1	284.1	0.03736	108.3379	CHISHOLM6 230.00 - ELK CITY 230KV 230KV CKT 1
15G	06ALL		2	FROM->TO	G15_032_230 FPL SWITCH - MOORELAND 138KV CKT 1	284.1	0.03736	108.3379	ELK CITY 230KV (ELKCTY-6) 230/138/13.8KV TRANSFORMER CKT 1
15G	06ALL		2	FROM->TO	G15_032_230 FPL SWITCH - MOORELAND 138KV CKT 1	284.1	0.03779	104.635	G11_051T 345.00 - TATONGA7 345.00 345KV CKT 1
15G	06ALL		2	FROM->TO	G15_032_230 FPL SWITCH - MOORELAND 138KV CKT 1	284.1	0.03779	103.8606	G11_051T 345.00 - WOODWARD DISTRICT EHV 345KV CKT 1
15G	06ALL		2	FROM->TO	G15_032_230 FPL SWITCH - MOORELAND 138KV CKT 1	284.1	0.03779	102.1711	SPSCont-05ax
15G	06ALL		2	FROM->TO	G15_032_230 FPL SWITCH - MOORELAND 138KV CKT 1	284.1	0.02887	101.9958	WOODWARD (WOODWRD2) 138/69/13.2KV TRANSFORMER CKT 1
15G	06ALL		2	TO->FROM	G15_032_230 FPL SWITCH - WOODWARD 138KV CKT 1	285.2	0.04613	112.2791	DBL-THIS-WWRD
15G	06ALL		2	TO->FROM	G15_032_230 FPL SWITCH - WOODWARD 138KV CKT 1	285.2	0.03779	104.8626	NORTHWEST - TATONGA7 345.00 345KV CKT 1
15G	06ALL		2	TO->FROM	G15_032_230 FPL SWITCH - WOODWARD 138KV CKT 1	285.2	0.03779	103.3198	SPSCont-04
15G	06ALL		2	TO->FROM	G15_032_230 FPL SWITCH - WOODWARD 138KV CKT 1	285.2	0.03779	103.0743	SPSCont-05b
15G	06ALL		2	TO->FROM	G15_032_230 FPL SWITCH - WOODWARD 138KV CKT 1	285.2	0.03736	101.5736	CHISHOLM6 230.00 - ELK CITY 230KV 230KV CKT 1
15G	06ALL		2	TO->FROM	G15_032_230 FPL SWITCH - WOODWARD 138KV CKT 1	285.2	0.03736	101.5736	ELK CITY 230KV (ELKCTY-6) 230/138/13.8KV TRANSFORMER CKT 1
15SP	06ALL		2	TO->FROM	G15_032_230 GLASS MOUNTAIN - MOORELAND 138KV CKT 1	122.3	0.02073	109.2265	DBL-THIS-WWRD
20WP	06ALL		2	TO->FROM	G15_032_230 GLASS MOUNTAIN - MOORELAND 138KV CKT 1	122.3	0.02028	101.2379	DBL-THIS-WWRD
15WP	06ALL		2	TO->FROM	G15_032_230 GLASS MOUNTAIN - MOORELAND 138KV CKT 1	122.2	0.02122	100.7185	DBL-THIS-WWRD
15SP	06ALL		2	TO->FROM	G15_032_230 GLASS MOUNTAIN - MOORELAND 138KV CKT 1	122.3	0.01595	100.5086	MOORELAND - NOEL_SW 138.00 138KV CKT 1
15G	06ALL		2	FROM->TO	G15_032_230 Harrington Station East Bus - POTTER COUNTY INTERCHANGE 230KV CKT 1	346.8	-0.01342	107.1944	CHERRY1 - HARRINGTON STATION 230KV CKT 1
15G	06ALL		2	FROM->TO	G15_032_230 Harrington Station East Bus - POTTER COUNTY INTERCHANGE 230KV CKT 1	346.8	-0.01357	103.2907	CHERRY1 - POTTER COUNTY INTERCHANGE 230KV CKT 1
15G	06ALL		2	TO->FROM	G15_032_230 HAYS PLANT - SOUTH HAYS 115KV CKT 1	98.9	0.00607	115.3812	KNOLL 230 - POSTROCK6 230.00 230KV CKT 1
15SP	06ALL		2	FROM->TO	G15_032_230 HAYS PLANT - VINE STREET 115KV CKT 1	88	0.00582	116.8886	KNOLL 230 - POSTROCK6 230.00 230KV CKT 1
15G	06ALL		2	FROM->TO	G15_032_230 HAYS PLANT - VINE STREET 115KV CKT 1	87.9	0.00607	105.9295	KNOLL 230 - POSTROCK6 230.00 230KV CKT 1
15SP	06ALL		2	FROM->TO	G15_032_230 JERICHO (JERIC2WT) 115/69/14.4KV TRANSFORMER CKT 1	45.6	0.00663	106.6842	KIRBY SWITCHING STATION - MCCELLEAN SUB 115KV CKT 1
15SP	06ALL		2	FROM->TO	G15_032_230 JERICHO (JERIC2WT) 115/69/14.4KV TRANSFORMER CKT 1	45.9	0.00663	105.9869	KIRBY SWITCHING STATION - MCCELLEAN SUB 115KV CKT 1
15SP	06ALL		2	FROM->TO	G15_032_230 JERICHO (JERIC2WT) 115/69/14.4KV TRANSFORMER CKT 1	45.6	0.00663	105.3684	MCCELLEAN SUB - MCLEAN RURAL SUB 115KV CKT 1
15SP	06ALL		2	FROM->TO	G15_032_230 JERICHO (JERIC2WT) 115/69/14.4KV TRANSFORMER CKT 1	45.9	0.00663	104.6797	MCCELLEAN SUB - MCLEAN RURAL SUB 115KV CKT 1
15G	06ALL		2	FROM->TO	G15_032_230 JERICHO (JERIC2WT) 115/69/14.4KV TRANSFORMER CKT 1	45.7	0.0067	101.7155	KIRBY SWITCHING STATION - MCCELLEAN SUB 115KV CKT 1
15SP	06ALL		2	FROM->TO	G15_032_230 JERICHO (JERIC2WT) 115/69/14.4KV TRANSFORMER CKT 1	45.6	0.00663	101.6404	SPP-SWPS-T54
15G	06ALL		2	FROM->TO	G15_032_230 JERICHO (JERIC2WT) 115/69/14.4KV TRANSFORMER CKT 1	45.9	0.0067	101.2723	KIRBY SWITCHING STATION - MCCELLEAN SUB 115KV CKT 1
15SP	06ALL		2	FROM->TO	G15_032_230 JERICHO (JERIC2WT) 115/69/14.4KV TRANSFORMER CKT 1	45.9	0.00663	100.976	SPP-SWPS-T54
15G	06ALL		2	FROM->TO	G15_032_230 JERICHO (JERIC2WT) 115/69/14.4KV TRANSFORMER CKT 1	45.7	0.0067	100.4026	MCCELLEAN SUB - MCLEAN RURAL SUB 115KV CKT 1
15SP	06ALL		2	FROM->TO	G15_032_230 JERICHO (JERIC2WT) 115/69/14.4KV TRANSFORMER CKT 1	45.6	0.00663	100.1053	MCLEAN RURAL SUB - SHAMROCK 115KV CKT 1
25SP	00NR		2	TO->FROM	G15_032_230 LUBBOCK POWER & LIGHT-CO-OP - LUBBOCK POWER & LIGHT-SLATON 69KV CKT 1	53.5	0.00697	154.3757	LUBBOCK POWER & LIGHT-CO-OP - LUBBOCK POWER & LIGHT-WADSWORTH 69KV CKT 1
20SP	00NR		2	TO->FROM	G15_032_230 LUBBOCK POWER & LIGHT-CO-OP - LUBBOCK POWER & LIGHT-SLATON 69KV CKT 1	53.6	0.00973	138.2817	LUBBOCK POWER & LIGHT-CO-OP - LUBBOCK POWER & LIGHT-WADSWORTH 69KV CKT 1
15SP	00NR		2	TO->FROM	G15_032_230 LUBBOCK POWER & LIGHT-CO-OP - LUBBOCK POWER & LIGHT-SLATON 69KV CKT 1	53.9	0.0096	115.3618	LUBBOCK POWER & LIGHT-CO-OP - LUBBOCK POWER & LIGHT-WADSWORTH 69KV CKT 1

SEASON	GROUP	SCENARIO	DIRECTION	SOURCE	MONITORED ELEMENT	RATE (MVA)	TDF	CONTINGENCY LOADING %	CONTINGENCY
20WP	00NR		2 TO->FROM	G15_032_230	LUBBOCK POWER & LIGHT-CO-OP - LUBBOCK POWER & LIGHT-SLATON 69KV CKT 1	53.9	0.01593	105.5269	LUBBOCK POWER & LIGHT-CO-OP - LUBBOCK POWER & LIGHT-WADSWORTH 69KV CKT 1
25SP	00NR		2 TO->FROM	G15_032_230	LUBBOCK POWER & LIGHT-CO-OP - LUBBOCK POWER & LIGHT-WADSWORTH 69KV CKT 1	105.6	0.00679	126.7396	BASE CASE
25SP	00NR		2 TO->FROM	G15_032_230	LUBBOCK POWER & LIGHT-CO-OP - LUBBOCK POWER & LIGHT-WADSWORTH 69KV CKT 1	141.2	0.0083	125.4179	LUBBOCK POWER & LIGHT-SLATON - LUBBOCK POWER & LIGHT-SOUTHEAST 69KV CKT 1
25SP	00NR		2 TO->FROM	G15_032_230	LUBBOCK POWER & LIGHT-CO-OP - LUBBOCK POWER & LIGHT-WADSWORTH 69KV CKT 1	141.2	0.00913	115.9625	LUBBOCK POWER & LIGHT-SOUTHEAST - LUBBOCK SOUTH INTERCHANGE 230KV CKT 1
25SP	00NR		2 TO->FROM	G15_032_230	LUBBOCK POWER & LIGHT-CO-OP - LUBBOCK POWER & LIGHT-WADSWORTH 69KV CKT 1	141.2	0.00857	114.2146	LUBBOCK POWER & LIGHT-HOLLY GEN - LUBBOCK POWER & LIGHT-NORTHEAST 69KV CKT 1
20SP	00NR		2 TO->FROM	G15_032_230	LUBBOCK POWER & LIGHT-CO-OP - LUBBOCK POWER & LIGHT-WADSWORTH 69KV CKT 1	108	0.00945	113.5509	BASE CASE
20SP	00NR		2 TO->FROM	G15_032_230	LUBBOCK POWER & LIGHT-CO-OP - LUBBOCK POWER & LIGHT-WADSWORTH 69KV CKT 1	143	0.01147	113.3154	LUBBOCK POWER & LIGHT-SLATON - LUBBOCK POWER & LIGHT-SOUTHEAST 69KV CKT 1
25SP	00NR		2 TO->FROM	G15_032_230	LUBBOCK POWER & LIGHT-CO-OP - LUBBOCK POWER & LIGHT-WADSWORTH 69KV CKT 1	141.2	0.00893	111.0333	CARLISLE INTERCHANGE - LUBBOCK POWER & LIGHT-MILWAUKEE 230KV CKT 1
25SP	00NR		2 TO->FROM	G15_032_230	LUBBOCK POWER & LIGHT-CO-OP - LUBBOCK POWER & LIGHT-WADSWORTH 69KV CKT 1	141.2	0.00893	110.9625	LUBBOCK POWER & LIGHT-MILWAUKEE (M-E C0681251) 230/69/13.5KV TRANSFORMER CKT 1
25SP	00NR		2 TO->FROM	G15_032_230	LUBBOCK POWER & LIGHT-CO-OP - LUBBOCK POWER & LIGHT-WADSWORTH 69KV CKT 1	141.2	0.00893	110.9625	SPP-SWPS-K39
15SP	00NR		2 TO->FROM	G15_032_230	LUBBOCK POWER & LIGHT-CO-OP - LUBBOCK POWER & LIGHT-WADSWORTH 69KV CKT 1	108	0.01046	109.6648	BASE CASE
25SP	00NR		2 TO->FROM	G15_032_230	LUBBOCK POWER & LIGHT-CO-OP - LUBBOCK POWER & LIGHT-WADSWORTH 69KV CKT 1	141.2	0.00705	108.7217	LUBBOCK POWER & LIGHT-OLIVER - LUBBOCK POWER & LIGHT-SOUTHEAST 69KV CKT 1
15SP	00NR		2 TO->FROM	G15_032_230	LUBBOCK POWER & LIGHT-CO-OP - LUBBOCK POWER & LIGHT-WADSWORTH 69KV CKT 1	143	0.01206	104.558	LUBBOCK POWER & LIGHT-SLATON - LUBBOCK POWER & LIGHT-SOUTHEAST 69KV CKT 1
25SP	00NR		2 TO->FROM	G15_032_230	LUBBOCK POWER & LIGHT-CO-OP - LUBBOCK POWER & LIGHT-WADSWORTH 69KV CKT 1	141.2	0.00857	103.3789	LUBBOCK POWER & LIGHT-MACKENZIE GEN - LUBBOCK POWER & LIGHT-NORTHEAST 69KV CKT 1
20SP	00NR		2 TO->FROM	G15_032_230	LUBBOCK POWER & LIGHT-CO-OP - LUBBOCK POWER & LIGHT-WADSWORTH 69KV CKT 1	143	0.01176	103.3063	LUBBOCK POWER & LIGHT-HOLLY GEN - LUBBOCK POWER & LIGHT-NORTHEAST 69KV CKT 1
20SP	00NR		2 TO->FROM	G15_032_230	LUBBOCK POWER & LIGHT-CO-OP - LUBBOCK POWER & LIGHT-WADSWORTH 69KV CKT 1	143	0.0132	103.2587	LUBBOCK POWER & LIGHT-SOUTHEAST - LUBBOCK SOUTH INTERCHANGE 230KV CKT 1
25SP	00NR		2 TO->FROM	G15_032_230	LUBBOCK POWER & LIGHT-CO-OP - LUBBOCK POWER & LIGHT-WADSWORTH 69KV CKT 1	141.2	0.00767	102.6919	LUBBOCK POWER & LIGHT-SOUTHEAST (ABB 60258) 230/69/13.5KV TRANSFORMER CKT 1
25SP	00NR		2 TO->FROM	G15_032_230	LUBBOCK POWER & LIGHT-CO-OP - LUBBOCK POWER & LIGHT-WADSWORTH 69KV CKT 1	141.2	0.00761	102.1834	LUBBOCK POWER & LIGHT-SOUTHEAST (FRM WADSWRTH) 230/69/13.5KV TRANSFORMER CKT 2
25SP	00NR		2 TO->FROM	G15_032_230	LUBBOCK POWER & LIGHT-CO-OP - LUBBOCK POWER & LIGHT-WADSWORTH 69KV CKT 1	141.2	0.0071	101.5085	LUBBOCK POWER & LIGHT-CHALKER - LUBBOCK POWER & LIGHT-THOMPSON 69KV CKT 1
25SP	00NR		2 TO->FROM	G15_032_230	LUBBOCK POWER & LIGHT-CO-OP - LUBBOCK POWER & LIGHT-WADSWORTH 69KV CKT 1	141.2	0.00619	100.8194	LUBBOCK POWER & LIGHT-HOLLY GEN - LUBBOCK POWER & LIGHT-SOUTHEAST 69KV CKT 1
25SP	00NR		2 TO->FROM	G15_032_230	LUBBOCK POWER & LIGHT-CO-OP - LUBBOCK POWER & LIGHT-WADSWORTH 69KV CKT 1	141.2	0.00705	100.4356	LUBBOCK POWER & LIGHT-CHALKER - LUBBOCK POWER & LIGHT-OLIVER 69KV CKT 1
25SP	00NR		2 TO->FROM	G15_032_230	LUBBOCK POWER & LIGHT-SLATON - LUBBOCK POWER & LIGHT-SOUTHEAST 69KV CKT 1	143	0.00714	121.1483	LUBBOCK POWER & LIGHT-CO-OP - LUBBOCK POWER & LIGHT-WADSWORTH 69KV CKT 1
20SP	00NR		2 TO->FROM	G15_032_230	LUBBOCK POWER & LIGHT-SLATON - LUBBOCK POWER & LIGHT-SOUTHEAST 69KV CKT 1	142.8	0.00971	110.7934	LUBBOCK POWER & LIGHT-CO-OP - LUBBOCK POWER & LIGHT-WADSWORTH 69KV CKT 1
20SP	00NR		2 TO->FROM	G15_032_230	LUBBOCK POWER & LIGHT-SLATON - LUBBOCK POWER & LIGHT-SOUTHEAST 69KV CKT 1	142.8	0.0059	109.0126	LUBBOCK POWER & LIGHT-OLIVER - LUBBOCK POWER & LIGHT-SOUTHEAST 69KV CKT 1
20SP	06ALL		2 TO->FROM	G15_032_230	NORGE ROAD - SOUTHWESTERN STATION 138KV CKT 1	135.7	0.01109	110.7561	SOUTHWESTERN STATION - VERDEN 138KV CKT 1
20SP	06ALL		2 TO->FROM	G15_032_230	NORGE ROAD - SOUTHWESTERN STATION 138KV CKT 1	135.7	0.01109	109.2822	NORTH 29TH CHICKASHA - VERDEN 138KV CKT 1
20SP	06ALL		2 TO->FROM	G15_032_230	NORGE ROAD - SOUTHWESTERN STATION 138KV CKT 1	135.7	0.01585	106.4716	CIMARRON - MINCO 345KV CKT 1
20SP	06ALL		2 TO->FROM	G15_032_230	NORGE ROAD - SOUTHWESTERN STATION 138KV CKT 1	135.7	0.01109	106.2609	CORNVILLE - NORTH 29TH CHICKASHA 138KV CKT 1
20SP	06ALL		2 TO->FROM	G15_032_230	NORGE ROAD - SOUTHWESTERN STATION 138KV CKT 1	135.7	0.01027	104.1297	ANADARKO - CORN TAP 138KV CKT 1
20SP	06ALL		2 TO->FROM	G15_032_230	NORGE ROAD - SOUTHWESTERN STATION 138KV CKT 1	135.7	0.01585	102.9344	GRACEMONT - MINCO 345KV CKT 1
25SP	06ALL		2 TO->FROM	G15_032_230	NORGE ROAD - SOUTHWESTERN STATION 138KV CKT 1	135.8	0.01064	100.0972	SOUTHWESTERN STATION - VERDEN 138KV CKT 1
15SP	06ALL		2 FROM->TO	G15_032_230	PRINGLE INTERCHANGE - SPEARMAN INTERCHANGE 115KV CKT 1	159.7	0.03567	103.4915	PRINGLE INTERCHANGE - SPEARMAN INTERCHANGE 115KV CKT 2
15G	06ALL		2 FROM->TO	G15_032_230	PRINGLE INTERCHANGE - SPEARMAN INTERCHANGE 115KV CKT 1	158.4	0.03441	102.2778	PRINGLE INTERCHANGE - SPEARMAN INTERCHANGE 115KV CKT 2
15G	06ALL		2 FROM->TO	G15_032_230	SHAMROCK (SHAMRCK1) 115/69/14.4KV TRANSFORMER CKT 1	66	0.01345	105.2818	CHISHOLM6 230.00 - SWEETWATER 230KV CKT 1
15G	06ALL		2 FROM->TO	G15_032_230	SHAMROCK (SHAMRCK1) 115/69/14.4KV TRANSFORMER CKT 1	66	0.01221	104.9303	HWRDWCK2 69.000 - JERICHO 69KV CKT 1
15G	06ALL		2 FROM->TO	G15_032_230	SHAMROCK (SHAMRCK1) 115/69/14.4KV TRANSFORMER CKT 1	66	0.01221	104.9303	JERICHO - KIRBY SWITCHING STATION 115KV CKT 1
15G	06ALL		2 FROM->TO	G15_032_230	SHAMROCK (SHAMRCK1) 115/69/14.4KV TRANSFORMER CKT 1	66	0.01221	104.9303	JERICHO (JERIC2WT) 115/69/14.4KV TRANSFORMER CKT 1
15G	06ALL		2 FROM->TO	G15_032_230	SHAMROCK (SHAMRCK1) 115/69/14.4KV TRANSFORMER CKT 1	66	0.01221	104.1727	CLARENDON - HWRDWCK2 69.000 69KV CKT 1
15G	06ALL		2 FROM->TO	G15_032_230	SHAMROCK (SHAMRCK1) 115/69/14.4KV TRANSFORMER CKT 1	66	0.01312	103.8788	G14-074T 345.00 - OKLAUNION 345KV CKT 1
15G	06ALL		2 FROM->TO	G15_032_230	SHAMROCK (SHAMRCK1) 115/69/14.4KV TRANSFORMER CKT 1	67.1	0.01345	103.7049	CHISHOLM6 230.00 - SWEETWATER 230KV CKT 1
15G	06ALL		2 FROM->TO	G15_032_230	SHAMROCK (SHAMRCK1) 115/69/14.4KV TRANSFORMER CKT 1	67.1	0.01221	103.3592	HWRDWCK2 69.000 - JERICHO 69KV CKT 1
15G	06ALL		2 FROM->TO	G15_032_230	SHAMROCK (SHAMRCK1) 115/69/14.4KV TRANSFORMER CKT 1	67.1	0.01221	103.3592	JERICHO - KIRBY SWITCHING STATION 115KV CKT 1
15G	06ALL		2 FROM->TO	G15_032_230	SHAMROCK (SHAMRCK1) 115/69/14.4KV TRANSFORMER CKT 1	67.1	0.01221	103.3592	JERICHO (JERIC2WT) 115/69/14.4KV TRANSFORMER CKT 1
15G	06ALL		2 FROM->TO	G15_032_230	SHAMROCK (SHAMRCK1) 115/69/14.4KV TRANSFORMER CKT 1	66	0.01345	103.0091	GRAPEVINE INTERCHANGE - STATELINE INTERCHANGE 230KV CKT 1

SEASON	GROUP	SCENARIO	DIRECTION	SOURCE	MONITORED ELEMENT	RATE (MVA)	TDF	CONTINGENCY LOADING %	CONTINGENCY
15G	06ALL	2	FROM->TO	G15_032_230	SHAMROCK (SHAMRCK1) 115/69/14.4KV TRANSFORMER CKT 1	66	0.01236	102.6606	CHISHOLM6 230.00 - ELK CITY 230KV 230KV CKT 1
15G	06ALL	2	FROM->TO	G15_032_230	SHAMROCK (SHAMRCK1) 115/69/14.4KV TRANSFORMER CKT 1	66	0.01236	102.6606	ELK CITY 230KV (ELKCTY-6) 230/138/13.8KV TRANSFORMER CKT 1
15G	06ALL	2	FROM->TO	G15_032_230	SHAMROCK (SHAMRCK1) 115/69/14.4KV TRANSFORMER CKT 1	67.1	0.01221	102.614	CLARENDON - HWRDWCK2 69.00 69KV CKT 1
15G	06ALL	2	FROM->TO	G15_032_230	SHAMROCK (SHAMRCK1) 115/69/14.4KV TRANSFORMER CKT 1	66	0.01275	102.5606	CHISHOLM7 345.00 - GRACEMONT 345KV CKT 1
15G	06ALL	2	FROM->TO	G15_032_230	SHAMROCK (SHAMRCK1) 115/69/14.4KV TRANSFORMER CKT 1	67.1	0.01312	102.4739	G14-074T 345.00 - OKLAUNION 345KV CKT 1
15G	06ALL	2	FROM->TO	G15_032_230	SHAMROCK (SHAMRCK1) 115/69/14.4KV TRANSFORMER CKT 1	67.1	0.01345	101.4694	GRAPEVINE INTERCHANGE - STATELINE INTERCHANGE 230KV CKT 1
15G	06ALL	2	FROM->TO	G15_032_230	SHAMROCK (SHAMRCK1) 115/69/14.4KV TRANSFORMER CKT 1	67.1	0.01236	101.2757	CHISHOLM6 230.00 - ELK CITY 230KV 230KV CKT 1
15G	06ALL	2	FROM->TO	G15_032_230	SHAMROCK (SHAMRCK1) 115/69/14.4KV TRANSFORMER CKT 1	66	0.01221	101.1424	CLARENDON - CLARENDON REC 69KV CKT 1
15G	06ALL	2	FROM->TO	G15_032_230	SHAMROCK (SHAMRCK1) 115/69/14.4KV TRANSFORMER CKT 1	67.1	0.01236	101.1267	ELK CITY 230KV (ELKCTY-6) 230/138/13.8KV TRANSFORMER CKT 1
15G	06ALL	2	FROM->TO	G15_032_230	SHAMROCK (SHAMRCK1) 115/69/14.4KV TRANSFORMER CKT 1	67.1	0.01275	101.0283	CHISHOLM7 345.00 - GRACEMONT 345KV CKT 1
15G	06ALL	2	FROM->TO	G15_032_230	SHAMROCK (SHAMRCK1) 115/69/14.4KV TRANSFORMER CKT 1	66	0.01312	100.5455	G14-074T 345.00 - TUCO INTERCHANGE 345KV CKT 1
20WP	06ALL	2	TO->FROM	G15_032_230	SUNSHINE CANYON - TUTTLE 138KV CKT 1	140.9	0.02071	109.0419	CIMARRON - MINCO 345KV CKT 1
20SP	06ALL	2	TO->FROM	G15_032_230	SUNSHINE CANYON - TUTTLE 138KV CKT 1	141.6	0.02172	104.6977	CIMARRON - MINCO 345KV CKT 1
20WP	06ALL	2	TO->FROM	G15_032_230	SUNSHINE CANYON - TUTTLE 138KV CKT 1	140.9	0.02071	104.3577	GRACEMONT - MINCO 345KV CKT 1
15SP	06ALL	2	TO->FROM	G15_032_230	SUNSHINE CANYON - TUTTLE 138KV CKT 1	141.6	0.02307	104.1441	CIMARRON - MINCO 345KV CKT 1
20SP	06ALL	2	TO->FROM	G15_032_230	SUNSHINE CANYON - TUTTLE 138KV CKT 1	141.6	0.02172	100.1073	GRACEMONT - MINCO 345KV CKT 1
15SP	06ALL	2	FROM->TO	G15_032_230	THOMAS TAP - WEATHERFORD 69KV CKT 1	39	0.00789	114.2205	CLINTON JUNCTION - CLINTON NATURAL GAS TAP 138KV CKT 1
15G	06ALL	2	FROM->TO	G15_032_230	TUCO INTERCHANGE (GE M1022338) 345/230/13.2KV TRANSFORMER CKT 1	555.1	0.14858	101.8707	TUCO INTERCHANGE (SIEM 8743066) 345/230/13.2KV TRANSFORMER CKT 2
15G	06ALL	2	FROM->TO	G15_032_230	TUCO INTERCHANGE (GE M1022338) 345/230/13.2KV TRANSFORMER CKT 1	557.4	0.14858	101.3965	TUCO INTERCHANGE (SIEM 8743066) 345/230/13.2KV TRANSFORMER CKT 2
20WP	06ALL	2	TO->FROM	G15_032_230	TUCO_2 345.00 (TUCO_2 XFMR) 345/230/13.2KV TRANSFORMER CKT 1	559.5	0.15339	112.2073	TUCO INTERCHANGE - TUCO_2 345.00 345KV CKT 1
20WP	06ALL	2	TO->FROM	G15_032_230	TUCO_2 345.00 (TUCO_2 XFMR) 345/230/13.2KV TRANSFORMER CKT 1	559.9	0.15339	112.0736	TUCO INTERCHANGE - TUCO_2 345.00 345KV CKT 1
15G	06ALL	2	FROM->TO	G15_032_230	WICHITA (WICH TX-12) 345/138/13.8KV TRANSFORMER CKT 1	413.2	0.01242	106.6563	WICHITA (WICH TX-11) 345/138/13.8KV TRANSFORMER CKT 1
15G	06ALL	2	FROM->TO	G15_032_230	WICHITA (WICH TX-12) 345/138/13.8KV TRANSFORMER CKT 1	419.7	0.01242	104.8854	WICHITA (WICH TX-11) 345/138/13.8KV TRANSFORMER CKT 1
15WP	06ALL	2	FROM->TO	G15_032_230	WICHITA (WICH TX-12) 345/138/13.8KV TRANSFORMER CKT 1	414.2	0.01208	102.3901	WICHITA (WICH TX-11) 345/138/13.8KV TRANSFORMER CKT 1
15WP	06ALL	2	FROM->TO	G15_032_230	WICHITA (WICH TX-12) 345/138/13.8KV TRANSFORMER CKT 1	420.2	0.01208	100.8091	WICHITA (WICH TX-11) 345/138/13.8KV TRANSFORMER CKT 1
25SP	00NR	2	FROM->TO	G15_032_230	WOLFFORTH INTERCHANGE (WH 7001668) 230/115/13.2KV TRANSFORMER CKT 1	140.3	0.00591	100.2658	CARLISLE INTERCHANGE (CARLISLE_XF) 230/115/13.2KV TRANSFORMER CKT 1
15G	06ALL	2	FROM->TO	G15_032_230	WOODWARD (WOODWRD2) 138/69/13.2KV TRANSFORMER CKT 1	133.3	0.0107	100.018	FPL SWITCH - MOORELAND 138KV CKT 1
20SP	06ALL	3	FROM->TO	G15_032_230	ANADARKO - CORN TAP 138KV CKT 1	142.8	0.01477	100.2297	CIMARRON - MINCO 345KV CKT 1
15G	06ALL	3	TO->FROM	G15_032_230	ANADARKO - GRACMNT4 138.00 138KV CKT 1	225.1	0.05358	127.8099	CIMARRON - MINCO 345KV CKT 1
15G	06ALL	3	TO->FROM	G15_032_230	ANADARKO - GRACMNT4 138.00 138KV CKT 1	225.1	0.05358	119.6357	GRACEMONT - MINCO 345KV CKT 1
15G	06ALL	3	TO->FROM	G15_032_230	ANADARKO - GRACMNT4 138.00 138KV CKT 1	225.1	0.0305	107.0404	SOUTHWESTERN STATION - WASHITA 138KV CKT 1
15SP	06ALL	3	FROM->TO	G15_032_230	BENTLEY4 138.00 - HALSTEAD SOUTH BUS 138KV CKT 1	142.2	0.00692	108.2813	RENO COUNTY - WICHITA 345KV CKT 1
20WP	06ALL	3	FROM->TO	G15_032_230	CLEARWATER - GILL ENERGY CENTER WEST 138KV CKT 1	142.9	0.01157	119.4794	GILL ENERGY CENTER SOUTH - VIOLA 4 138.00 138KV CKT 1
20SP	06ALL	3	FROM->TO	G15_032_230	CLEARWATER - GILL ENERGY CENTER WEST 138KV CKT 1	142.3	0.01391	102.3471	GILL ENERGY CENTER SOUTH - VIOLA 4 138.00 138KV CKT 1
15SP	06ALL	3	TO->FROM	G15_032_230	CLINTON CITY - FOSS TAP 69KV CKT 1	74.5	0.00789	103.4175	CLINTON JUNCTION - CLINTON NATURAL GAS TAP 138KV CKT 1
15SP	06ALL	3	FROM->TO	G15_032_230	CLINTON CITY - THOMAS TAP 69KV CKT 1	38.9	0.00789	125.5681	CLINTON JUNCTION - CLINTON NATURAL GAS TAP 138KV CKT 1
20SP	06ALL	3	FROM->TO	G15_032_230	CLINTON CITY - THOMAS TAP 69KV CKT 1	39	0.00753	102.8974	CLINTON JUNCTION - CLINTON NATURAL GAS TAP 138KV CKT 1
15G	06ALL	3	FROM->TO	G15_032_230	CLINTON CITY - THOMAS TAP 69KV CKT 1	47.9	0.00768	101.0731	CLINTON JUNCTION - CLINTON NATURAL GAS TAP 138KV CKT 1
15SP	06ALL	3	TO->FROM	G15_032_230	CLINTON JUNCTION - ELK CITY 138KV CKT 1	148.8	0.04268	140.4933	CHISHOLM7 345.00 - GRACEMONT 345KV CKT 1
15G	06ALL	3	TO->FROM	G15_032_230	CLINTON JUNCTION - ELK CITY 138KV CKT 1	185.1	0.04127	124.0454	CHISHOLM7 345.00 - GRACEMONT 345KV CKT 1
15SP	06ALL	3	TO->FROM	G15_032_230	CLINTON JUNCTION - ELK CITY 138KV CKT 1	148.8	0.036	122.8387	G14-074T 345.00 - OKLAUNION 345KV CKT 1
15SP	06ALL	3	TO->FROM	G15_032_230	CLINTON JUNCTION - ELK CITY 138KV CKT 1	148.8	0.02202	120.3038	ONEY - WASHITA 138KV CKT 1
15SP	06ALL	3	TO->FROM	G15_032_230	CLINTON JUNCTION - ELK CITY 138KV CKT 1	148.8	0.036	118.8065	G14-074T 345.00 - TUCO INTERCHANGE 345KV CKT 1
15SP	06ALL	3	TO->FROM	G15_032_230	CLINTON JUNCTION - ELK CITY 138KV CKT 1	148.8	0.03261	118.0148	NORTHWEST - TATONGA7 345.00 345KV CKT 1
15SP	06ALL	3	TO->FROM	G15_032_230	CLINTON JUNCTION - ELK CITY 138KV CKT 1	148.8	0.02202	117.75	BINGER NUJECT - ONEY 138KV CKT 1
15SP	06ALL	3	TO->FROM	G15_032_230	CLINTON JUNCTION - ELK CITY 138KV CKT 1	148.8	0.03261	117.5443	SPSCont-05b
15SP	06ALL	3	TO->FROM	G15_032_230	CLINTON JUNCTION - ELK CITY 138KV CKT 1	148.8	0.03261	117.1411	SPSCont-04
15SP	06ALL	3	TO->FROM	G15_032_230	CLINTON JUNCTION - ELK CITY 138KV CKT 1	148.8	0.03316	116.9046	DBL-THIS-WWRD
15SP	06ALL	3	TO->FROM	G15_032_230	CLINTON JUNCTION - ELK CITY 138KV CKT 1	132.4	0.02868	115.9909	BASE CASE
15SP	06ALL	3	TO->FROM	G15_032_230	CLINTON JUNCTION - ELK CITY 138KV CKT 1	148.8	0.03256	115.5161	CLINTON AIR FORCE BASE TAP - ELK CITY 138KV CKT 1
15SP	06ALL	3	TO->FROM	G15_032_230	CLINTON JUNCTION - ELK CITY 138KV CKT 1	148.8	0.03544	115.3185	CHISHOLM7 345.00 - WOODWARD DISTRICT EHV 345KV CKT 1
15SP	06ALL	3	TO->FROM	G15_032_230	CLINTON JUNCTION - ELK CITY 138KV CKT 1	148.8	0.03256	114.5753	CLINTON AIR FORCE BASE TAP - HOBART JUNCTION 138KV CKT 1
15SP	06ALL	3	TO->FROM	G15_032_230	CLINTON JUNCTION - ELK CITY 138KV CKT 1	148.8	0.02202	113.5833	BINGER NUJECT - SICKLES 138KV CKT 1
15SP	06ALL	3	TO->FROM	G15_032_230	CLINTON JUNCTION - ELK CITY 138KV CKT 1	148.8	0.03261	113.4449	G11_051T 345.00 - TATONGA7 345.00 345KV CKT 1
15SP	06ALL	3	TO->FROM	G15_032_230	CLINTON JUNCTION - ELK CITY 138KV CKT 1	148.8	0.02202	112.9113	CLINTON JUNCTION - G07-32T 138.00 138KV CKT 1
15SP	06ALL	3	TO->FROM	G15_032_230	CLINTON JUNCTION - ELK CITY 138KV CKT 1	148.8	0.02868	112.8172	G07-32 34.500 34.5/12.0KV TRANSFORMER CKT 1
15SP	06ALL	3	TO->FROM	G15_032_230	CLINTON JUNCTION - ELK CITY 138KV CKT 1	148.8	0.02868	112.75	G07-32 138.00 - G07-32T 138.00 138KV CKT 1
15SP	06ALL	3	TO->FROM	G15_032_230	CLINTON JUNCTION - ELK CITY 138KV CKT 1	148.8	0.02868	112.75	G07-32 138.00 138/34.5KV TRANSFORMER CKT 1
15SP	06ALL	3	TO->FROM	G15_032_230	CLINTON JUNCTION - ELK CITY 138KV CKT 1	148.8	0.02868	111.4059	WASHITA - WEATHERFORD WIND FARM 34 KV 34.5KV CKT 1
15WP	06ALL	3	TO->FROM	G15_032_230	CLINTON JUNCTION - ELK CITY 138KV CKT 1	186.8	0.04362	111.091	CHISHOLM7 345.00 - GRACEMONT 345KV CKT 1
20SP	06ALL	3	TO->FROM	G15_032_230	CLINTON JUNCTION - ELK CITY 138KV CKT 1	151.1	0.04233	109.3647	CHISHOLM7 345.00 - GRACEMONT 345KV CKT 1
20SP	06ALL	3	TO->FROM	G15_032_230	CLINTON JUNCTION - ELK CITY 138KV CKT 1	151.1	0.0219	106.45	ONEY - WASHITA 138KV CKT 1
15G	06ALL	3	TO->FROM	G15_032_230	CLINTON JUNCTION - ELK CITY 138KV CKT 1	185.1	0.0347	105.7861	G14-074T 345.00 - OKLAUNION 345KV CKT 1
20SP	06ALL	3	TO->FROM	G15_032_230	CLINTON JUNCTION - ELK CITY 138KV CKT 1	151.1	0.0219	103.869	BINGER NUJECT - ONEY 138KV CKT 1

SEASON	GROUP	SCENARIO	DIRECTION	SOURCE	MONITORED ELEMENT	RATE (MVA)	TDF	CONTINGENCY LOADING %	CONTINGENCY
15G	06ALL	3	TO->FROM	G15_032_230	CLINTON JUNCTION - ELK CITY 138KV CKT 1	185.1	0.0347	102.7066	G14-074T 345.00 - TUCO INTERCHANGE 345KV CKT 1
20WP	06ALL	3	TO->FROM	G15_032_230	CLINTON JUNCTION - ELK CITY 138KV CKT 1	187.5	0.04175	102.6677	CHISHOLM7 345.00 - GRACEMONT 345KV CKT 1
15G	06ALL	3	TO->FROM	G15_032_230	CLINTON JUNCTION - ELK CITY 138KV CKT 1	185.1	0.03155	102.3069	NORTHWEST - TATONGA7 345.00 345KV CKT 1
15G	06ALL	3	TO->FROM	G15_032_230	CLINTON JUNCTION - ELK CITY 138KV CKT 1	185.1	0.03155	101.9287	SPSCont-05b
15G	06ALL	3	TO->FROM	G15_032_230	CLINTON JUNCTION - ELK CITY 138KV CKT 1	185.1	0.03155	101.6045	SPSCont-04
15G	06ALL	3	TO->FROM	G15_032_230	CLINTON JUNCTION - ELK CITY 138KV CKT 1	185.1	0.03136	101.4954	CLINTON AIR FORCE BASE TAP - ELK CITY 138KV CKT 1
15G	06ALL	3	TO->FROM	G15_032_230	CLINTON JUNCTION - ELK CITY 138KV CKT 1	185.1	0.03136	100.8471	CLINTON AIR FORCE BASE TAP - HOBART JUNCTION 138KV CKT 1
15G	06ALL	3	TO->FROM	G15_032_230	CLINTON JUNCTION - ELK CITY 138KV CKT 1	185.1	0.0343	100.282	CHISHOLM7 345.00 - WOODWARD DISTRICT EHV 345KV CKT 1
15SP	06ALL	3	FROM->TO	G15_032_230	CLINTON JUNCTION - FOSS TAP 69KV CKT 1	74.7	0.00789	104.3454	CLINTON JUNCTION - CLINTON NATURAL GAS TAP 138KV CKT 1
15SP	06ALL	3	TO->FROM	G15_032_230	COMANCHE TAP - TOSCO 69KV CKT 1	39	0.00566	103.9436	G14-057T 345.00 - SUNNYSIDE 345KV CKT 1
15SP	06ALL	3	TO->FROM	G15_032_230	COMANCHE TAP - TOSCO 69KV CKT 1	39	0.00566	101.1231	G14-057T 345.00 - LAWTON EASTSIDE 345KV CKT 1
20WP	06ALL	3	FROM->TO	G15_032_230	CORN TAP - PAYNE 138.00 138KV CKT 1	141.6	0.01783	111.2203	G14-057T 345.00 - SUNNYSIDE 345KV CKT 1
20WP	06ALL	3	FROM->TO	G15_032_230	CORN TAP - PAYNE 138.00 138KV CKT 1	141.6	0.01783	109.4548	G14-057T 345.00 - LAWTON EASTSIDE 345KV CKT 1
15WP	06ALL	3	FROM->TO	G15_032_230	CORN TAP - PAYNE 138.00 138KV CKT 1	141.4	0.0185	109.1867	G14-057T 345.00 - SUNNYSIDE 345KV CKT 1
20WP	06ALL	3	FROM->TO	G15_032_230	CORN TAP - PAYNE 138.00 138KV CKT 1	141.6	0.01813	107.6045	CIMARRON - MINCO 345KV CKT 1
15WP	06ALL	3	FROM->TO	G15_032_230	CORN TAP - PAYNE 138.00 138KV CKT 1	141.4	0.0185	107.4187	G14-057T 345.00 - LAWTON EASTSIDE 345KV CKT 1
20WP	06ALL	3	FROM->TO	G15_032_230	CORN TAP - PAYNE 138.00 138KV CKT 1	141.6	0.01416	105.8305	ANADARKO - BLANCHARD 138KV CKT 1
20WP	06ALL	3	FROM->TO	G15_032_230	CORN TAP - PAYNE 138.00 138KV CKT 1	141.6	0.01813	104.4972	GRACEMONT - MINCO 345KV CKT 1
20WP	06ALL	3	FROM->TO	G15_032_230	CORN TAP - PAYNE 138.00 138KV CKT 1	141.6	0.01416	103.9237	BLANCHARD - OUSW4 138KV CKT 1
15WP	06ALL	3	FROM->TO	G15_032_230	CORN TAP - PAYNE 138.00 138KV CKT 1	141.4	0.01893	102.0849	CIMARRON - MINCO 345KV CKT 1
15WP	06ALL	3	FROM->TO	G15_032_230	CORN TAP - PAYNE 138.00 138KV CKT 1	141.4	0.01475	100.6478	ANADARKO - BLANCHARD 138KV CKT 1
20SP	06ALL	3	FROM->TO	G15_032_230	CORN TAP - PAYNE 138.00 138KV CKT 1	142.2	0.01465	100.0352	ANADARKO - BLANCHARD 138KV CKT 1
15SP	06ALL	3	FROM->TO	G15_032_230	DUNCAN - TOSCO 69KV CKT 1	38.9	0.00566	108.3239	G14-057T 345.00 - SUNNYSIDE 345KV CKT 1
15SP	06ALL	3	FROM->TO	G15_032_230	DUNCAN - TOSCO 69KV CKT 1	38.9	0.00566	105.7532	G14-057T 345.00 - LAWTON EASTSIDE 345KV CKT 1
15WP	06ALL	3	FROM->TO	G15_032_230	DUNCAN - TOSCO 69KV CKT 1	47.8	0.00585	100.9582	G14-057T 345.00 - SUNNYSIDE 345KV CKT 1
20WP	06ALL	3	FROM->TO	G15_032_230	DUNCAN - TOSCO 69KV CKT 1	47.9	0.00549	100.9102	G14-057T 345.00 - SUNNYSIDE 345KV CKT 1
15SP	06ALL	3	TO->FROM	G15_032_230	EARLSBORO 4138.00 - MAUD 138KV CKT 1	97.7	0.00721	106.0839	MAUD (MAUD1) 138/69/13.2KV TRANSFORMER CKT 1
15SP	06ALL	3	TO->FROM	G15_032_230	EARLSBORO 4138.00 - MAUD 138KV CKT 1	97.7	0.007	100.9458	CANADIAN RIVER - MCALESTER SOUTH 138KV CKT 1
15SP	06ALL	3	TO->FROM	G15_032_230	EARLSBORO 4138.00 - MAUD 138KV CKT 1	97.7	0.00692	100.9458	PRINGLE INTERCHANGE - SPEARMAN INTERCHANGE 115KV CKT 2
25SP	06ALL	3	FROM->TO	G15_032_230	EDDY_NORTH 6230.00 (WAUK WT01134) 230/115/13.2KV TRANSFORMER CKT 2	285	0.01172	104.6975	EDDY COUNTY INTERCHANGE - EDDY_NORTH 6230.00 230KV CKT @1
25SP	06ALL	3	FROM->TO	G15_032_230	EDDY_NORTH 6230.00 (WAUK WT01134) 230/115/13.2KV TRANSFORMER CKT 2	286.3	0.01172	104.1523	EDDY COUNTY INTERCHANGE - EDDY_NORTH 6230.00 230KV CKT @1
15G	06ALL	3	FROM->TO	G15_032_230	ELDORADO - ELDORADO JCT 69KV CKT 1	26.9	0.00822	100.3123	LAKE PAULINE - RUSSELL 138KV CKT 1
15G	06ALL	3	FROM->TO	G15_032_230	ELK CITY 230KV (ELKCTY-6) 230/138/13.8KV TRANSFORMER CKT 1	446.9	0.096	117.0821	CHISHOLM7 345.00 - GRACEMONT 345KV CKT 1
15SP	06ALL	3	FROM->TO	G15_032_230	ELK CITY 230KV (ELKCTY-6) 230/138/13.8KV TRANSFORMER CKT 1	446.4	0.10153	117.0381	CHISHOLM7 345.00 - GRACEMONT 345KV CKT 1
15G	06ALL	3	FROM->TO	G15_032_230	ELK CITY 230KV (ELKCTY-6) 230/138/13.8KV TRANSFORMER CKT 1	449.3	0.096	116.5457	CHISHOLM7 345.00 - GRACEMONT 345KV CKT 1
15SP	06ALL	3	FROM->TO	G15_032_230	ELK CITY 230KV (ELKCTY-6) 230/138/13.8KV TRANSFORMER CKT 1	449.3	0.10153	116.3717	CHISHOLM7 345.00 - GRACEMONT 345KV CKT 1
15WP	06ALL	3	FROM->TO	G15_032_230	ELK CITY 230KV (ELKCTY-6) 230/138/13.8KV TRANSFORMER CKT 1	447.2	0.10436	112.4007	CHISHOLM7 345.00 - GRACEMONT 345KV CKT 1
15WP	06ALL	3	FROM->TO	G15_032_230	ELK CITY 230KV (ELKCTY-6) 230/138/13.8KV TRANSFORMER CKT 1	449.4	0.10436	111.9395	CHISHOLM7 345.00 - GRACEMONT 345KV CKT 1
20WP	06ALL	3	FROM->TO	G15_032_230	ELK CITY 230KV (ELKCTY-6) 230/138/13.8KV TRANSFORMER CKT 1	448.3	0.10023	106.7789	CHISHOLM7 345.00 - GRACEMONT 345KV CKT 1
20WP	06ALL	3	FROM->TO	G15_032_230	ELK CITY 230KV (ELKCTY-6) 230/138/13.8KV TRANSFORMER CKT 1	449.7	0.10023	106.5132	CHISHOLM7 345.00 - GRACEMONT 345KV CKT 1
15SP	06ALL	3	FROM->TO	G15_032_230	ELK CITY 230KV (ELKCTY-6) 230/138/13.8KV TRANSFORMER CKT 1	446.4	0.08638	103.6801	G14-074T 345.00 - OKLAUNION 345KV CKT 1
15SP	06ALL	3	FROM->TO	G15_032_230	ELK CITY 230KV (ELKCTY-6) 230/138/13.8KV TRANSFORMER CKT 1	449.3	0.08638	103.1222	G14-074T 345.00 - OKLAUNION 345KV CKT 1
15SP	06ALL	3	FROM->TO	G15_032_230	ELK CITY 230KV (ELKCTY-6) 230/138/13.8KV TRANSFORMER CKT 1	446.4	0.09258	101.8566	CHISHOLM7 345.00 - WOODWARD DISTRICT EHV 345KV CKT 1
15SP	06ALL	3	FROM->TO	G15_032_230	ELK CITY 230KV (ELKCTY-6) 230/138/13.8KV TRANSFORMER CKT 1	449.3	0.09258	101.3105	CHISHOLM7 345.00 - WOODWARD DISTRICT EHV 345KV CKT 1
15SP	06ALL	3	FROM->TO	G15_032_230	ELK CITY 230KV (ELKCTY-6) 230/138/13.8KV TRANSFORMER CKT 1	446.4	0.08638	100.2303	G14-074T 345.00 - TUCO INTERCHANGE 345KV CKT 1
15G	06ALL	3	FROM->TO	G15_032_230	FPL SWITCH - MOORELAND 138KV CKT 1	284.1	0.04605	119.0285	DBL-THIS-WWRD
15G	06ALL	3	FROM->TO	G15_032_230	FPL SWITCH - MOORELAND 138KV CKT 1	284.1	0.03769	111.5438	NORTHWEST - TATONGA7 345.00 345KV CKT 1
15G	06ALL	3	FROM->TO	G15_032_230	FPL SWITCH - MOORELAND 138KV CKT 1	284.1	0.03769	109.9599	SPSCont-04
15G	06ALL	3	FROM->TO	G15_032_230	FPL SWITCH - MOORELAND 138KV CKT 1	284.1	0.03769	109.7135	SPSCont-05b
15G	06ALL	3	FROM->TO	G15_032_230	FPL SWITCH - MOORELAND 138KV CKT 1	284.1	0.03729	108.2837	CHISHOLM6 230.00 - ELK CITY 230KV 230KV CKT 1
15G	06ALL	3	FROM->TO	G15_032_230	FPL SWITCH - MOORELAND 138KV CKT 1	284.1	0.03729	108.2485	ELK CITY 230KV (ELKCTY-6) 230/138/13.8KV TRANSFORMER CKT 1
15G	06ALL	3	FROM->TO	G15_032_230	FPL SWITCH - MOORELAND 138KV CKT 1	284.1	0.03769	104.5392	G11_051T 345.00 - TATONGA7 345.00 345KV CKT 1
15G	06ALL	3	FROM->TO	G15_032_230	FPL SWITCH - MOORELAND 138KV CKT 1	284.1	0.03769	103.7297	G11_051T 345.00 - WOODWARD DISTRICT EHV 345KV CKT 1
15G	06ALL	3	FROM->TO	G15_032_230	FPL SWITCH - MOORELAND 138KV CKT 1	284.1	0.03769	102.0401	SPSCont-05ax
15G	06ALL	3	FROM->TO	G15_032_230	FPL SWITCH - MOORELAND 138KV CKT 1	284.1	0.02879	101.9043	WOODWARD (WOODWRD2) 138/69/13.2KV TRANSFORMER CKT 1
15G	06ALL	3	TO->FROM	G15_032_230	FPL SWITCH - WOODWARD 138KV CKT 1	285.2	0.04605	112.1879	DBL-THIS-WWRD
15G	06ALL	3	TO->FROM	G15_032_230	FPL SWITCH - WOODWARD 138KV CKT 1	285.2	0.03769	104.7672	NORTHWEST - TATONGA7 345.00 345KV CKT 1
15G	06ALL	3	TO->FROM	G15_032_230	FPL SWITCH - WOODWARD 138KV CKT 1	285.2	0.03769	103.1893	SPSCont-04
15G	06ALL	3	TO->FROM	G15_032_230	FPL SWITCH - WOODWARD 138KV CKT 1	285.2	0.03769	102.9439	SPSCont-05b
15G	06ALL	3	TO->FROM	G15_032_230	FPL SWITCH - WOODWARD 138KV CKT 1	285.2	0.03729	101.4846	CHISHOLM6 230.00 - ELK CITY 230KV 230KV CKT 1
15G	06ALL	3	TO->FROM	G15_032_230	FPL SWITCH - WOODWARD 138KV CKT 1	285.2	0.03729	101.4846	ELK CITY 230KV (ELKCTY-6) 230/138/13.8KV TRANSFORMER CKT 1
15SP	06ALL	3	TO->FROM	G15_032_230	GLASS MOUNTAIN - MOORELAND 138KV CKT 1	122.3	0.02071	109.13	DBL-THIS-WWRD
20WP	06ALL	3	TO->FROM	G15_032_230	GLASS MOUNTAIN - MOORELAND 138KV CKT 1	122.3	0.02026	101.2281	DBL-THIS-WWRD
15WP	06ALL	3	TO->FROM	G15_032_230	GLASS MOUNTAIN - MOORELAND 138KV CKT 1	122.2	0.0212	100.6268	DBL-THIS-WWRD

SEASON	GROUP	SCENARIO	DIRECTION	SOURCE	MONITORED ELEMENT	RATE (MVA)	TDF	CONTINGENCY LOADING %	CONTINGENCY
15SP	06ALL		3 TO->FROM	G15_032_230	GLASS MOUNTAIN - MOORELAND 138KV CKT 1	122.3	0.01593	100.4988	MOORELAND - NOEL_SW 138.00 138KV CKT 1
15G	06ALL		3 FROM->TO	G15_032_230	Harrington Station East Bus - POTTER COUNTY INTERCHANGE 230KV CKT 1	347	-0.01389	106.751	CHERRY1 - HARRINGTON STATION 230KV CKT 1
15G	06ALL		3 FROM->TO	G15_032_230	Harrington Station East Bus - POTTER COUNTY INTERCHANGE 230KV CKT 1	347	-0.01411	102.8069	CHERRY1 - POTTER COUNTY INTERCHANGE 230KV CKT 1
15G	06ALL		3 TO->FROM	G15_032_230	HAYS PLANT - SOUTH HAYS 115KV CKT 1	98.9	0.00606	115.3751	KNOLL 230 - POSTROCK6 230.00 230KV CKT 1
15SP	06ALL		3 FROM->TO	G15_032_230	HAYS PLANT - VINE STREET 115KV CKT 1	88	0.00581	116.8818	KNOLL 230 - POSTROCK6 230.00 230KV CKT 1
15G	06ALL		3 FROM->TO	G15_032_230	HAYS PLANT - VINE STREET 115KV CKT 1	87.9	0.00606	105.8089	KNOLL 230 - POSTROCK6 230.00 230KV CKT 1
15SP	06ALL		3 FROM->TO	G15_032_230	JERICHO (JERIC2WT) 115/69/14.4KV TRANSFORMER CKT 1	45.6	0.00659	106.6184	KIRBY SWITCHING STATION - MCCLELLAN SUB 115KV CKT 1
15SP	06ALL		3 FROM->TO	G15_032_230	JERICHO (JERIC2WT) 115/69/14.4KV TRANSFORMER CKT 1	45.9	0.00659	105.9216	KIRBY SWITCHING STATION - MCCLELLAN SUB 115KV CKT 1
15SP	06ALL		3 FROM->TO	G15_032_230	JERICHO (JERIC2WT) 115/69/14.4KV TRANSFORMER CKT 1	45.6	0.00659	105.0833	MCCLELLAN SUB - MCLEAN RURAL SUB 115KV CKT 1
15SP	06ALL		3 FROM->TO	G15_032_230	JERICHO (JERIC2WT) 115/69/14.4KV TRANSFORMER CKT 1	45.9	0.00659	104.3965	MCCLELLAN SUB - MCLEAN RURAL SUB 115KV CKT 1
15G	06ALL		3 FROM->TO	G15_032_230	JERICHO (JERIC2WT) 115/69/14.4KV TRANSFORMER CKT 1	45.7	0.00666	101.4311	KIRBY SWITCHING STATION - MCCLELLAN SUB 115KV CKT 1
15SP	06ALL		3 FROM->TO	G15_032_230	JERICHO (JERIC2WT) 115/69/14.4KV TRANSFORMER CKT 1	45.6	0.00659	101.3553	SPP-SWPS-T54
15G	06ALL		3 FROM->TO	G15_032_230	JERICHO (JERIC2WT) 115/69/14.4KV TRANSFORMER CKT 1	45.9	0.00666	100.9891	KIRBY SWITCHING STATION - MCCLELLAN SUB 115KV CKT 1
15SP	06ALL		3 FROM->TO	G15_032_230	JERICHO (JERIC2WT) 115/69/14.4KV TRANSFORMER CKT 1	45.9	0.00659	100.6928	SPP-SWPS-T54
15G	06ALL		3 FROM->TO	G15_032_230	JERICHO (JERIC2WT) 115/69/14.4KV TRANSFORMER CKT 1	45.7	0.00666	100.1182	MCCLELLAN SUB - MCLEAN RURAL SUB 115KV CKT 1
25SP	00NR		3 TO->FROM	G15_032_230	LUBBOCK POWER & LIGHT-CO-OP - LUBBOCK POWER & LIGHT-SLATON 69KV CKT 1	53.5	0.00697	154.3757	LUBBOCK POWER & LIGHT-CO-OP - LUBBOCK POWER & LIGHT-WADSWORTH 69KV CKT 1
20SP	00NR		3 TO->FROM	G15_032_230	LUBBOCK POWER & LIGHT-CO-OP - LUBBOCK POWER & LIGHT-SLATON 69KV CKT 1	53.6	0.00973	138.2817	LUBBOCK POWER & LIGHT-CO-OP - LUBBOCK POWER & LIGHT-WADSWORTH 69KV CKT 1
15SP	00NR		3 TO->FROM	G15_032_230	LUBBOCK POWER & LIGHT-CO-OP - LUBBOCK POWER & LIGHT-SLATON 69KV CKT 1	53.9	0.00961	115.3673	LUBBOCK POWER & LIGHT-CO-OP - LUBBOCK POWER & LIGHT-WADSWORTH 69KV CKT 1
20WP	00NR		3 TO->FROM	G15_032_230	LUBBOCK POWER & LIGHT-CO-OP - LUBBOCK POWER & LIGHT-SLATON 69KV CKT 1	53.9	0.01593	105.5269	LUBBOCK POWER & LIGHT-CO-OP - LUBBOCK POWER & LIGHT-WADSWORTH 69KV CKT 1
25SP	00NR		3 TO->FROM	G15_032_230	LUBBOCK POWER & LIGHT-CO-OP - LUBBOCK POWER & LIGHT-WADSWORTH 69KV CKT 1	105.6	0.00679	126.7396	BASE CASE
25SP	00NR		3 TO->FROM	G15_032_230	LUBBOCK POWER & LIGHT-CO-OP - LUBBOCK POWER & LIGHT-WADSWORTH 69KV CKT 1	141.2	0.0083	125.4179	LUBBOCK POWER & LIGHT-SLATON - LUBBOCK POWER & LIGHT-SOUTHEAST 69KV CKT 1
25SP	00NR		3 TO->FROM	G15_032_230	LUBBOCK POWER & LIGHT-CO-OP - LUBBOCK POWER & LIGHT-WADSWORTH 69KV CKT 1	141.2	0.00913	115.9625	LUBBOCK POWER & LIGHT-SOUTHEAST - LUBBOCK SOUTH INTERCHANGE 230KV CKT 1
25SP	00NR		3 TO->FROM	G15_032_230	LUBBOCK POWER & LIGHT-CO-OP - LUBBOCK POWER & LIGHT-WADSWORTH 69KV CKT 1	141.2	0.00857	114.2146	LUBBOCK POWER & LIGHT-HOLLY GEN - LUBBOCK POWER & LIGHT-NORTHEAST 69KV CKT 1
20SP	00NR		3 TO->FROM	G15_032_230	LUBBOCK POWER & LIGHT-CO-OP - LUBBOCK POWER & LIGHT-WADSWORTH 69KV CKT 1	108	0.00945	113.5509	BASE CASE
20SP	00NR		3 TO->FROM	G15_032_230	LUBBOCK POWER & LIGHT-CO-OP - LUBBOCK POWER & LIGHT-WADSWORTH 69KV CKT 1	143	0.01146	113.3133	LUBBOCK POWER & LIGHT-SLATON - LUBBOCK POWER & LIGHT-SOUTHEAST 69KV CKT 1
25SP	00NR		3 TO->FROM	G15_032_230	LUBBOCK POWER & LIGHT-CO-OP - LUBBOCK POWER & LIGHT-WADSWORTH 69KV CKT 1	141.2	0.00893	111.0333	CARLISLE INTERCHANGE - LUBBOCK POWER & LIGHT-MILWAUKEE 230KV CKT 1
25SP	00NR		3 TO->FROM	G15_032_230	LUBBOCK POWER & LIGHT-CO-OP - LUBBOCK POWER & LIGHT-WADSWORTH 69KV CKT 1	141.2	0.00893	110.9625	LUBBOCK POWER & LIGHT-MILWAUKEE (M-E C0681251) 230/69/13.5KV TRANSFORMER CKT 1
25SP	00NR		3 TO->FROM	G15_032_230	LUBBOCK POWER & LIGHT-CO-OP - LUBBOCK POWER & LIGHT-WADSWORTH 69KV CKT 1	141.2	0.00893	110.9625	SPP-SWPS-K39
15SP	00NR		3 TO->FROM	G15_032_230	LUBBOCK POWER & LIGHT-CO-OP - LUBBOCK POWER & LIGHT-WADSWORTH 69KV CKT 1	108	0.01047	109.6676	BASE CASE
25SP	00NR		3 TO->FROM	G15_032_230	LUBBOCK POWER & LIGHT-CO-OP - LUBBOCK POWER & LIGHT-WADSWORTH 69KV CKT 1	141.2	0.00704	108.7195	LUBBOCK POWER & LIGHT-OLIVER - LUBBOCK POWER & LIGHT-SOUTHEAST 69KV CKT 1
15SP	00NR		3 TO->FROM	G15_032_230	LUBBOCK POWER & LIGHT-CO-OP - LUBBOCK POWER & LIGHT-WADSWORTH 69KV CKT 1	143	0.01207	104.5601	LUBBOCK POWER & LIGHT-SLATON - LUBBOCK POWER & LIGHT-SOUTHEAST 69KV CKT 1
25SP	00NR		3 TO->FROM	G15_032_230	LUBBOCK POWER & LIGHT-CO-OP - LUBBOCK POWER & LIGHT-WADSWORTH 69KV CKT 1	141.2	0.00857	103.3789	LUBBOCK POWER & LIGHT-MACKENZIE GEN - LUBBOCK POWER & LIGHT-NORTHEAST 69KV CKT 1
20SP	00NR		3 TO->FROM	G15_032_230	LUBBOCK POWER & LIGHT-CO-OP - LUBBOCK POWER & LIGHT-WADSWORTH 69KV CKT 1	143	0.01176	103.3063	LUBBOCK POWER & LIGHT-HOLLY GEN - LUBBOCK POWER & LIGHT-NORTHEAST 69KV CKT 1
20SP	00NR		3 TO->FROM	G15_032_230	LUBBOCK POWER & LIGHT-CO-OP - LUBBOCK POWER & LIGHT-WADSWORTH 69KV CKT 1	143	0.0132	103.2587	LUBBOCK POWER & LIGHT-SOUTHEAST - LUBBOCK SOUTH INTERCHANGE 230KV CKT 1
25SP	00NR		3 TO->FROM	G15_032_230	LUBBOCK POWER & LIGHT-CO-OP - LUBBOCK POWER & LIGHT-WADSWORTH 69KV CKT 1	141.2	0.00767	102.6919	LUBBOCK POWER & LIGHT-SOUTHEAST (ABB 60258) 230/69/13.5KV TRANSFORMER CKT 1
25SP	00NR		3 TO->FROM	G15_032_230	LUBBOCK POWER & LIGHT-CO-OP - LUBBOCK POWER & LIGHT-WADSWORTH 69KV CKT 1	141.2	0.00761	102.1834	LUBBOCK POWER & LIGHT-SOUTHEAST (FRM WADSWRTH) 230/69/13.5KV TRANSFORMER CKT 2
25SP	00NR		3 TO->FROM	G15_032_230	LUBBOCK POWER & LIGHT-CO-OP - LUBBOCK POWER & LIGHT-WADSWORTH 69KV CKT 1	141.2	0.0071	101.5085	LUBBOCK POWER & LIGHT-CHALKER - LUBBOCK POWER & LIGHT-THOMPSON 69KV CKT 1
25SP	00NR		3 TO->FROM	G15_032_230	LUBBOCK POWER & LIGHT-CO-OP - LUBBOCK POWER & LIGHT-WADSWORTH 69KV CKT 1	141.2	0.00618	100.8173	LUBBOCK POWER & LIGHT-HOLLY GEN - LUBBOCK POWER & LIGHT-SOUTHEAST 69KV CKT 1
25SP	00NR		3 TO->FROM	G15_032_230	LUBBOCK POWER & LIGHT-CO-OP - LUBBOCK POWER & LIGHT-WADSWORTH 69KV CKT 1	141.2	0.00704	100.4334	LUBBOCK POWER & LIGHT-CHALKER - LUBBOCK POWER & LIGHT-OLIVER 69KV CKT 1
25SP	00NR		3 TO->FROM	G15_032_230	LUBBOCK POWER & LIGHT-SLATON - LUBBOCK POWER & LIGHT-SOUTHEAST 69KV CKT 1	143	0.00714	121.1483	LUBBOCK POWER & LIGHT-CO-OP - LUBBOCK POWER & LIGHT-WADSWORTH 69KV CKT 1
20SP	00NR		3 TO->FROM	G15_032_230	LUBBOCK POWER & LIGHT-SLATON - LUBBOCK POWER & LIGHT-SOUTHEAST 69KV CKT 1	142.8	0.00971	110.7934	LUBBOCK POWER & LIGHT-CO-OP - LUBBOCK POWER & LIGHT-WADSWORTH 69KV CKT 1

SEASON	GROUP	SCENARIO	DIRECTION	SOURCE	MONITORED ELEMENT	RATE (MVA)	TDF	CONTINGENCY LOADING %	CONTINGENCY
20SP	00NR		3	TO->FROM	G15_032_230 LUBBOCK POWER & LIGHT-SLATON - LUBBOCK POWER & LIGHT-SOUTHEAST 69KV CKT 1	142.8	0.0059	109.0126	LUBBOCK POWER & LIGHT-OLIVER - LUBBOCK POWER & LIGHT-SOUTHEAST 69KV CKT 1
20SP	06ALL		3	TO->FROM	G15_032_230 NORGE ROAD - SOUTHWESTERN STATION 138KV CKT 1	135.7	0.0111	110.7649	SOUTHWESTERN STATION - VERDEN 138KV CKT 1
20SP	06ALL		3	TO->FROM	G15_032_230 NORGE ROAD - SOUTHWESTERN STATION 138KV CKT 1	135.7	0.0111	109.2911	NORTH 29TH CHICKASHA - VERDEN 138KV CKT 1
20SP	06ALL		3	TO->FROM	G15_032_230 NORGE ROAD - SOUTHWESTERN STATION 138KV CKT 1	135.7	0.01587	106.4893	CIMARRON - MINCO 345KV CKT 1
20SP	06ALL		3	TO->FROM	G15_032_230 NORGE ROAD - SOUTHWESTERN STATION 138KV CKT 1	135.7	0.0111	106.2697	CORNVILLE - NORTH 29TH CHICKASHA 138KV CKT 1
20SP	06ALL		3	TO->FROM	G15_032_230 NORGE ROAD - SOUTHWESTERN STATION 138KV CKT 1	135.7	0.01029	104.1385	ANADARKO - CORN TAP 138KV CKT 1
20SP	06ALL		3	TO->FROM	G15_032_230 NORGE ROAD - SOUTHWESTERN STATION 138KV CKT 1	135.7	0.01587	102.9521	GRACEMONT - MINCO 345KV CKT 1
25SP	06ALL		3	TO->FROM	G15_032_230 NORGE ROAD - SOUTHWESTERN STATION 138KV CKT 1	135.8	0.01066	100.106	SOUTHWESTERN STATION - VERDEN 138KV CKT 1
15SP	06ALL		3	FROM->TO	G15_032_230 PRINGLE INTERCHANGE - SPEARMAN INTERCHANGE 115KV CKT 1	159.7	0.03547	103.1547	PRINGLE INTERCHANGE - SPEARMAN INTERCHANGE 115KV CKT 2
15G	06ALL		3	FROM->TO	G15_032_230 PRINGLE INTERCHANGE - SPEARMAN INTERCHANGE 115KV CKT 1	158.4	0.0342	101.8712	PRINGLE INTERCHANGE - SPEARMAN INTERCHANGE 115KV CKT 2
15G	06ALL		3	FROM->TO	G15_032_230 SHAMROCK (SHAMRCK1) 115/69/14.4KV TRANSFORMER CKT 1	66	0.01335	104.8697	CHISHOLM6 230.00 - SWEETWATER 230KV CKT 1
15G	06ALL		3	FROM->TO	G15_032_230 SHAMROCK (SHAMRCK1) 115/69/14.4KV TRANSFORMER CKT 1	66	0.01213	104.5454	HWRDWCK2 69.000 - JERICO 69KV CKT 1
15G	06ALL		3	FROM->TO	G15_032_230 SHAMROCK (SHAMRCK1) 115/69/14.4KV TRANSFORMER CKT 1	66	0.01213	104.5454	JERICO - KIRBY SWITCHING STATION 115KV CKT 1
15G	06ALL		3	FROM->TO	G15_032_230 SHAMROCK (SHAMRCK1) 115/69/14.4KV TRANSFORMER CKT 1	66	0.01213	104.5454	JERICO (JERIC2WT) 115/69/14.4KV TRANSFORMER CKT 1
15G	06ALL		3	FROM->TO	G15_032_230 SHAMROCK (SHAMRCK1) 115/69/14.4KV TRANSFORMER CKT 1	66	0.01308	103.8333	G14-074T 345.00 - OKLAUNION 345KV CKT 1
15G	06ALL		3	FROM->TO	G15_032_230 SHAMROCK (SHAMRCK1) 115/69/14.4KV TRANSFORMER CKT 1	66	0.01213	103.7879	CLARENDON - HWRDWCK2 69.000 69KV CKT 1
15G	06ALL		3	FROM->TO	G15_032_230 SHAMROCK (SHAMRCK1) 115/69/14.4KV TRANSFORMER CKT 1	67.1	0.01335	103.2996	CHISHOLM6 230.00 - SWEETWATER 230KV CKT 1
15G	06ALL		3	FROM->TO	G15_032_230 SHAMROCK (SHAMRCK1) 115/69/14.4KV TRANSFORMER CKT 1	67.1	0.01213	103.1296	HWRDWCK2 69.000 - JERICO 69KV CKT 1
15G	06ALL		3	FROM->TO	G15_032_230 SHAMROCK (SHAMRCK1) 115/69/14.4KV TRANSFORMER CKT 1	67.1	0.01213	103.1296	JERICO - KIRBY SWITCHING STATION 115KV CKT 1
15G	06ALL		3	FROM->TO	G15_032_230 SHAMROCK (SHAMRCK1) 115/69/14.4KV TRANSFORMER CKT 1	67.1	0.01213	103.1296	JERICO (JERIC2WT) 115/69/14.4KV TRANSFORMER CKT 1
15G	06ALL		3	FROM->TO	G15_032_230 SHAMROCK (SHAMRCK1) 115/69/14.4KV TRANSFORMER CKT 1	66	0.01335	102.597	GRAPEVINE INTERCHANGE - STATELINE INTERCHANGE 230KV CKT 1
15G	06ALL		3	FROM->TO	G15_032_230 SHAMROCK (SHAMRCK1) 115/69/14.4KV TRANSFORMER CKT 1	66	0.01229	102.4364	CHISHOLM6 230.00 - ELK CITY 230KV 230KV CKT 1
15G	06ALL		3	FROM->TO	G15_032_230 SHAMROCK (SHAMRCK1) 115/69/14.4KV TRANSFORMER CKT 1	66	0.01229	102.4364	ELK CITY 230KV (ELKCTY-6) 230/138/13.8KV TRANSFORMER CKT 1
15G	06ALL		3	FROM->TO	G15_032_230 SHAMROCK (SHAMRCK1) 115/69/14.4KV TRANSFORMER CKT 1	67.1	0.01213	102.3845	CLARENDON - HWRDWCK2 69.000 69KV CKT 1
15G	06ALL		3	FROM->TO	G15_032_230 SHAMROCK (SHAMRCK1) 115/69/14.4KV TRANSFORMER CKT 1	66	0.01269	102.3364	CHISHOLM7 345.00 - GRACEMONT 345KV CKT 1
15G	06ALL		3	FROM->TO	G15_032_230 SHAMROCK (SHAMRCK1) 115/69/14.4KV TRANSFORMER CKT 1	67.1	0.01308	102.2802	G14-074T 345.00 - OKLAUNION 345KV CKT 1
15G	06ALL		3	FROM->TO	G15_032_230 SHAMROCK (SHAMRCK1) 115/69/14.4KV TRANSFORMER CKT 1	67.1	0.01335	101.0641	GRAPEVINE INTERCHANGE - STATELINE INTERCHANGE 230KV CKT 1
15G	06ALL		3	FROM->TO	G15_032_230 SHAMROCK (SHAMRCK1) 115/69/14.4KV TRANSFORMER CKT 1	67.1	0.01229	100.9061	CHISHOLM6 230.00 - ELK CITY 230KV 230KV CKT 1
15G	06ALL		3	FROM->TO	G15_032_230 SHAMROCK (SHAMRCK1) 115/69/14.4KV TRANSFORMER CKT 1	67.1	0.01229	100.9061	ELK CITY 230KV (ELKCTY-6) 230/138/13.8KV TRANSFORMER CKT 1
15G	06ALL		3	FROM->TO	G15_032_230 SHAMROCK (SHAMRCK1) 115/69/14.4KV TRANSFORMER CKT 1	67.1	0.01269	100.8077	CHISHOLM7 345.00 - GRACEMONT 345KV CKT 1
15G	06ALL		3	FROM->TO	G15_032_230 SHAMROCK (SHAMRCK1) 115/69/14.4KV TRANSFORMER CKT 1	66	0.01213	100.7576	CLARENDON - CLARENDON REC 69KV CKT 1
15G	06ALL		3	FROM->TO	G15_032_230 SHAMROCK (SHAMRCK1) 115/69/14.4KV TRANSFORMER CKT 1	66	0.01308	100.5	G14-074T 345.00 - TUCO INTERCHANGE 345KV CKT 1
20WP	06ALL		3	TO->FROM	G15_032_230 SUNSHINE CANYON - TUTTLE 138KV CKT 1	140.9	0.02075	109.0674	CIMARRON - MINCO 345KV CKT 1
20SP	06ALL		3	TO->FROM	G15_032_230 SUNSHINE CANYON - TUTTLE 138KV CKT 1	141.6	0.02177	104.7895	CIMARRON - MINCO 345KV CKT 1
20WP	06ALL		3	TO->FROM	G15_032_230 SUNSHINE CANYON - TUTTLE 138KV CKT 1	140.9	0.02075	104.4542	GRACEMONT - MINCO 345KV CKT 1
15SP	06ALL		3	TO->FROM	G15_032_230 SUNSHINE CANYON - TUTTLE 138KV CKT 1	141.6	0.02311	104.1653	CIMARRON - MINCO 345KV CKT 1
20SP	06ALL		3	TO->FROM	G15_032_230 SUNSHINE CANYON - TUTTLE 138KV CKT 1	141.6	0.02177	100.1285	GRACEMONT - MINCO 345KV CKT 1
15SP	06ALL		3	FROM->TO	G15_032_230 THOMAS TAP - WEATHERFORD 69KV CKT 1	39	0.00789	114.2205	CLINTON JUNCTION - CLINTON NATURAL GAS TAP 138KV CKT 1
15G	06ALL		3	FROM->TO	G15_032_230 WICHITA (WICH TX-12) 345/138/13.8KV TRANSFORMER CKT 1	413.2	0.0124	106.6549	WICHITA (WICH TX-11) 345/138/13.8KV TRANSFORMER CKT 1
15G	06ALL		3	FROM->TO	G15_032_230 WICHITA (WICH TX-12) 345/138/13.8KV TRANSFORMER CKT 1	419.7	0.0124	104.8601	WICHITA (WICH TX-11) 345/138/13.8KV TRANSFORMER CKT 1
15WP	06ALL		3	FROM->TO	G15_032_230 WICHITA (WICH TX-12) 345/138/13.8KV TRANSFORMER CKT 1	414.2	0.01206	102.3873	WICHITA (WICH TX-11) 345/138/13.8KV TRANSFORMER CKT 1
15WP	06ALL		3	FROM->TO	G15_032_230 WICHITA (WICH TX-12) 345/138/13.8KV TRANSFORMER CKT 1	420.2	0.01206	100.8063	WICHITA (WICH TX-11) 345/138/13.8KV TRANSFORMER CKT 1
25SP	00NR		3	FROM->TO	G15_032_230 WOLFFORTH INTERCHANGE (WH 7001668) 230/115/13.2KV TRANSFORMER CKT 1	140.3	0.00583	100.3913	CARLISLE INTERCHANGE (CARLISLE_XF) 230/115/13.2KV TRANSFORMER CKT 1
25SP	00NR		3	FROM->TO	G15_032_230 WOLFFORTH INTERCHANGE (WH 7001668) 230/115/13.2KV TRANSFORMER CKT 1	140.3	0.01569	100.1475	CARLISLE INTERCHANGE - LP-DOUD_TP 3115.00 115KV CKT 1
25SP	00NR		4	TO->FROM	G15_032_230 LUBBOCK POWER & LIGHT-CO-OP - LUBBOCK POWER & LIGHT-SLATON 69KV CKT 1	53.5	0.00697	154.3757	LUBBOCK POWER & LIGHT-CO-OP - LUBBOCK POWER & LIGHT-WADSWORTH 69KV CKT 1
20SP	00NR		4	TO->FROM	G15_032_230 LUBBOCK POWER & LIGHT-CO-OP - LUBBOCK POWER & LIGHT-SLATON 69KV CKT 1	53.6	0.00973	138.2817	LUBBOCK POWER & LIGHT-CO-OP - LUBBOCK POWER & LIGHT-WADSWORTH 69KV CKT 1
15SP	00NR		4	TO->FROM	G15_032_230 LUBBOCK POWER & LIGHT-CO-OP - LUBBOCK POWER & LIGHT-SLATON 69KV CKT 1	53.9	0.00961	115.3673	LUBBOCK POWER & LIGHT-CO-OP - LUBBOCK POWER & LIGHT-WADSWORTH 69KV CKT 1
20WP	00NR		4	TO->FROM	G15_032_230 LUBBOCK POWER & LIGHT-CO-OP - LUBBOCK POWER & LIGHT-SLATON 69KV CKT 1	53.9	0.01593	105.5269	LUBBOCK POWER & LIGHT-CO-OP - LUBBOCK POWER & LIGHT-WADSWORTH 69KV CKT 1
25SP	00NR		4	TO->FROM	G15_032_230 LUBBOCK POWER & LIGHT-CO-OP - LUBBOCK POWER & LIGHT-WADSWORTH 69KV CKT 1	105.6	0.00679	126.7396	BASE CASE
25SP	00NR		4	TO->FROM	G15_032_230 LUBBOCK POWER & LIGHT-CO-OP - LUBBOCK POWER & LIGHT-WADSWORTH 69KV CKT 1	141.2	0.0083	125.4179	LUBBOCK POWER & LIGHT-SLATON - LUBBOCK POWER & LIGHT-SOUTHEAST 69KV CKT 1
25SP	00NR		4	TO->FROM	G15_032_230 LUBBOCK POWER & LIGHT-CO-OP - LUBBOCK POWER & LIGHT-WADSWORTH 69KV CKT 1	141.2	0.00913	115.9625	LUBBOCK POWER & LIGHT-SOUTHEAST - LUBBOCK SOUTH INTERCHANGE 230KV CKT 1
25SP	00NR		4	TO->FROM	G15_032_230 LUBBOCK POWER & LIGHT-CO-OP - LUBBOCK POWER & LIGHT-WADSWORTH 69KV CKT 1	141.2	0.00857	114.2146	LUBBOCK POWER & LIGHT-HOLLY GEN - LUBBOCK POWER & LIGHT-NORTHEAST 69KV CKT 1
20SP	00NR		4	TO->FROM	G15_032_230 LUBBOCK POWER & LIGHT-CO-OP - LUBBOCK POWER & LIGHT-WADSWORTH 69KV CKT 1	108	0.00945	113.5509	BASE CASE
20SP	00NR		4	TO->FROM	G15_032_230 LUBBOCK POWER & LIGHT-CO-OP - LUBBOCK POWER & LIGHT-WADSWORTH 69KV CKT 1	143	0.01146	113.3133	LUBBOCK POWER & LIGHT-SLATON - LUBBOCK POWER & LIGHT-SOUTHEAST 69KV CKT 1

SEASON	GROUP	SCENARIO	DIRECTION	SOURCE	MONITORED ELEMENT	RATE (MVA)	TDF	CONTINGENCY LOADING %	CONTINGENCY
25SP	00NR	4	TO->FROM	G15_032_230	LUBBOCK POWER & LIGHT-CO-OP - LUBBOCK POWER & LIGHT-WADSWORTH 69KV CKT 1	141.2	0.00893	111.0333	CARLISLE INTERCHANGE - LUBBOCK POWER & LIGHT-MILWAUKEE 230KV CKT 1
25SP	00NR	4	TO->FROM	G15_032_230	LUBBOCK POWER & LIGHT-CO-OP - LUBBOCK POWER & LIGHT-WADSWORTH 69KV CKT 1	141.2	0.00893	110.9625	LUBBOCK POWER & LIGHT-MILWAUKEE (M-E C0681251) 230/69/13.5KV TRANSFORMER CKT 1
25SP	00NR	4	TO->FROM	G15_032_230	LUBBOCK POWER & LIGHT-CO-OP - LUBBOCK POWER & LIGHT-WADSWORTH 69KV CKT 1	141.2	0.00893	110.9625	SPP-SWPS-K39
15SP	00NR	4	TO->FROM	G15_032_230	LUBBOCK POWER & LIGHT-CO-OP - LUBBOCK POWER & LIGHT-WADSWORTH 69KV CKT 1	108	0.01047	109.6676	BASE CASE
25SP	00NR	4	TO->FROM	G15_032_230	LUBBOCK POWER & LIGHT-CO-OP - LUBBOCK POWER & LIGHT-WADSWORTH 69KV CKT 1	141.2	0.00704	108.7195	LUBBOCK POWER & LIGHT-OLIVER - LUBBOCK POWER & LIGHT-SOUTHEAST 69KV CKT 1
15SP	00NR	4	TO->FROM	G15_032_230	LUBBOCK POWER & LIGHT-CO-OP - LUBBOCK POWER & LIGHT-WADSWORTH 69KV CKT 1	143	0.01207	104.5601	LUBBOCK POWER & LIGHT-SLATON - LUBBOCK POWER & LIGHT-SOUTHEAST 69KV CKT 1
25SP	00NR	4	TO->FROM	G15_032_230	LUBBOCK POWER & LIGHT-CO-OP - LUBBOCK POWER & LIGHT-WADSWORTH 69KV CKT 1	141.2	0.00857	103.3789	LUBBOCK POWER & LIGHT-MACKENZIE GEN - LUBBOCK POWER & LIGHT-NORTHEAST 69KV CKT 1
20SP	00NR	4	TO->FROM	G15_032_230	LUBBOCK POWER & LIGHT-CO-OP - LUBBOCK POWER & LIGHT-WADSWORTH 69KV CKT 1	143	0.01176	103.3063	LUBBOCK POWER & LIGHT-HOLLY GEN - LUBBOCK POWER & LIGHT-NORTHEAST 69KV CKT 1
20SP	00NR	4	TO->FROM	G15_032_230	LUBBOCK POWER & LIGHT-CO-OP - LUBBOCK POWER & LIGHT-WADSWORTH 69KV CKT 1	143	0.0132	103.2587	LUBBOCK POWER & LIGHT-SOUTHEAST - LUBBOCK SOUTH INTERCHANGE 230KV CKT 1
25SP	00NR	4	TO->FROM	G15_032_230	LUBBOCK POWER & LIGHT-CO-OP - LUBBOCK POWER & LIGHT-WADSWORTH 69KV CKT 1	141.2	0.00767	102.6919	LUBBOCK POWER & LIGHT-SOUTHEAST (ABB 60258) 230/69/13.5KV TRANSFORMER CKT 1
25SP	00NR	4	TO->FROM	G15_032_230	LUBBOCK POWER & LIGHT-CO-OP - LUBBOCK POWER & LIGHT-WADSWORTH 69KV CKT 1	141.2	0.00761	102.1834	LUBBOCK POWER & LIGHT-SOUTHEAST (FRM WADSWRTH) 230/69/13.5KV TRANSFORMER CKT 2
25SP	00NR	4	TO->FROM	G15_032_230	LUBBOCK POWER & LIGHT-CO-OP - LUBBOCK POWER & LIGHT-WADSWORTH 69KV CKT 1	141.2	0.0071	101.5085	LUBBOCK POWER & LIGHT-CHALKER - LUBBOCK POWER & LIGHT-THOMPSON 69KV CKT 1
25SP	00NR	4	TO->FROM	G15_032_230	LUBBOCK POWER & LIGHT-CO-OP - LUBBOCK POWER & LIGHT-WADSWORTH 69KV CKT 1	141.2	0.00618	100.8173	LUBBOCK POWER & LIGHT-HOLLY GEN - LUBBOCK POWER & LIGHT-SOUTHEAST 69KV CKT 1
25SP	00NR	4	TO->FROM	G15_032_230	LUBBOCK POWER & LIGHT-CO-OP - LUBBOCK POWER & LIGHT-WADSWORTH 69KV CKT 1	141.2	0.00704	100.4334	LUBBOCK POWER & LIGHT-CHALKER - LUBBOCK POWER & LIGHT-OLIVER 69KV CKT 1
25SP	00NR	4	TO->FROM	G15_032_230	LUBBOCK POWER & LIGHT-SLATON - LUBBOCK POWER & LIGHT-SOUTHEAST 69KV CKT 1	143	0.00714	121.1483	LUBBOCK POWER & LIGHT-CO-OP - LUBBOCK POWER & LIGHT-WADSWORTH 69KV CKT 1
20SP	00NR	4	TO->FROM	G15_032_230	LUBBOCK POWER & LIGHT-SLATON - LUBBOCK POWER & LIGHT-SOUTHEAST 69KV CKT 1	142.8	0.00971	110.7934	LUBBOCK POWER & LIGHT-CO-OP - LUBBOCK POWER & LIGHT-WADSWORTH 69KV CKT 1
20SP	00NR	4	TO->FROM	G15_032_230	LUBBOCK POWER & LIGHT-SLATON - LUBBOCK POWER & LIGHT-SOUTHEAST 69KV CKT 1	142.8	0.0059	109.0126	LUBBOCK POWER & LIGHT-OLIVER - LUBBOCK POWER & LIGHT-SOUTHEAST 69KV CKT 1
25SP	00NR	4	FROM->TO	G15_032_230	WOLFFORTH INTERCHANGE (WH 7001668) 230/115/13.2KV TRANSFORMER CKT 1	140.3	0.00583	100.3913	CARLISLE INTERCHANGE (CARLISLE_XF) 230/115/13.2KV TRANSFORMER CKT 1
25SP	00NR	4	FROM->TO	G15_032_230	WOLFFORTH INTERCHANGE (WH 7001668) 230/115/13.2KV TRANSFORMER CKT 1	140.3	0.01569	100.1475	CARLISLE INTERCHANGE - LP-DOUD_TP 3115.00 115KV CKT 1

SEASON	GROUP	SCENARIO	DIRECTION	SOURCE	MONITORED ELEMENT	RATE (MVA)	TDF	CONTINGENCY	
								LOADING %	CONTINGENCY
20SP	06ALL	0	FROM->TO	G15_031_230	ANADARKO - CORN TAP 138KV CKT 1	142.8	0.01496	100.2213	CIMARRON - MINCO 345KV CKT 1
20WP	06ALL	0	FROM->TO	G15_031_230	ANADARKO - CORN TAP 138KV CKT 1	142.8	0.01496	100.2213	CIMARRON - MINCO 345KV CKT 1
15G	06ALL	0	TO->FROM	G15_031_230	ANADARKO - GRACMNT4 138.00 138KV CKT 1	225.1	0.0543	127.6677	CIMARRON - MINCO 345KV CKT 1
15G	06ALL	0	TO->FROM	G15_031_230	ANADARKO - GRACMNT4 138.00 138KV CKT 1	225.1	0.0543	119.4936	GRACEMONT - MINCO 345KV CKT 1
15G	06ALL	0	TO->FROM	G15_031_230	ANADARKO - GRACMNT4 138.00 138KV CKT 1	225.1	0.03062	106.964	SOUTHWESTERN STATION - WASHITA 138KV CKT 1
15SP	06ALL	0	FROM->TO	G15_031_230	BENTLEY4 138.00 - HALSTEAD SOUTH BUS 138KV CKT 1	142.2	0.00699	108.2771	RENO COUNTY - WICHITA 345KV CKT 1
15WP	06ALL	0	FROM->TO	G15_031_230	BENTLEY4 138.00 - HALSTEAD SOUTH BUS 138KV CKT 1	142.2	0.00699	108.2771	RENO COUNTY - WICHITA 345KV CKT 1
20SP	06ALL	0	FROM->TO	G15_031_230	CLEARWATER - GILL ENERGY CENTER WEST 138KV CKT 1	142.2	0.01389	102.4191	GILL ENERGY CENTER SOUTH - VIOLA 4 138.00 138KV CKT 1
20WP	06ALL	0	FROM->TO	G15_031_230	CLEARWATER - GILL ENERGY CENTER WEST 138KV CKT 1	142.2	0.01389	102.4191	GILL ENERGY CENTER SOUTH - VIOLA 4 138.00 138KV CKT 1
15SP	06ALL	0	TO->FROM	G15_031_230	CLINTON CITY - FOSS TAP 69KV CKT 1	74.5	0.00792	103.4416	CLINTON JUNCTION - CLINTON NATURAL GAS TAP 138KV CKT 1
15WP	06ALL	0	TO->FROM	G15_031_230	CLINTON CITY - FOSS TAP 69KV CKT 1	74.5	0.00792	103.4416	CLINTON JUNCTION - CLINTON NATURAL GAS TAP 138KV CKT 1
15SP	06ALL	0	FROM->TO	G15_031_230	CLINTON CITY - THOMAS TAP 69KV CKT 1	38.9	0.00792	125.6144	CLINTON JUNCTION - CLINTON NATURAL GAS TAP 138KV CKT 1
15WP	06ALL	0	FROM->TO	G15_031_230	CLINTON CITY - THOMAS TAP 69KV CKT 1	38.9	0.00792	125.6144	CLINTON JUNCTION - CLINTON NATURAL GAS TAP 138KV CKT 1
20SP	06ALL	0	FROM->TO	G15_031_230	CLINTON CITY - THOMAS TAP 69KV CKT 1	39	0.00757	102.9436	CLINTON JUNCTION - CLINTON NATURAL GAS TAP 138KV CKT 1
20WP	06ALL	0	FROM->TO	G15_031_230	CLINTON CITY - THOMAS TAP 69KV CKT 1	39	0.00757	102.9436	CLINTON JUNCTION - CLINTON NATURAL GAS TAP 138KV CKT 1
15G	06ALL	0	FROM->TO	G15_031_230	CLINTON CITY - THOMAS TAP 69KV CKT 1	47.9	0.00771	101.1106	CLINTON JUNCTION - CLINTON NATURAL GAS TAP 138KV CKT 1
15SP	06ALL	0	TO->FROM	G15_031_230	CLINTON JUNCTION - ELK CITY 138KV CKT 1	148.8	0.04253	140.629	CHISHOLM7 345.00 - GRACEMONT 345KV CKT 1
15WP	06ALL	0	TO->FROM	G15_031_230	CLINTON JUNCTION - ELK CITY 138KV CKT 1	148.8	0.04253	140.629	CHISHOLM7 345.00 - GRACEMONT 345KV CKT 1
15G	06ALL	0	TO->FROM	G15_031_230	CLINTON JUNCTION - ELK CITY 138KV CKT 1	185.1	0.04112	124.094	CHISHOLM7 345.00 - GRACEMONT 345KV CKT 1
15SP	06ALL	0	TO->FROM	G15_031_230	CLINTON JUNCTION - ELK CITY 138KV CKT 1	148.8	0.03626	122.875	G14-074T 345.00 - OKLAUNION 345KV CKT 1
15WP	06ALL	0	TO->FROM	G15_031_230	CLINTON JUNCTION - ELK CITY 138KV CKT 1	148.8	0.03626	122.875	G14-074T 345.00 - OKLAUNION 345KV CKT 1
15SP	06ALL	0	TO->FROM	G15_031_230	CLINTON JUNCTION - ELK CITY 138KV CKT 1	148.8	0.02203	120.3481	ONEY - WASHITA 138KV CKT 1
15WP	06ALL	0	TO->FROM	G15_031_230	CLINTON JUNCTION - ELK CITY 138KV CKT 1	148.8	0.02203	120.3481	ONEY - WASHITA 138KV CKT 1
15SP	06ALL	0	TO->FROM	G15_031_230	CLINTON JUNCTION - ELK CITY 138KV CKT 1	148.8	0.03626	118.8427	G14-074T 345.00 - TUCO INTERCHANGE 345KV CKT 1
15WP	06ALL	0	TO->FROM	G15_031_230	CLINTON JUNCTION - ELK CITY 138KV CKT 1	148.8	0.03626	118.8427	G14-074T 345.00 - TUCO INTERCHANGE 345KV CKT 1
15SP	06ALL	0	TO->FROM	G15_031_230	CLINTON JUNCTION - ELK CITY 138KV CKT 1	148.8	0.03245	118.0914	NORTHWEST - TATONGA7 345.00 345KV CKT 1
15WP	06ALL	0	TO->FROM	G15_031_230	CLINTON JUNCTION - ELK CITY 138KV CKT 1	148.8	0.03245	118.0914	NORTHWEST - TATONGA7 345.00 345KV CKT 1
15SP	06ALL	0	TO->FROM	G15_031_230	CLINTON JUNCTION - ELK CITY 138KV CKT 1	148.8	0.02203	117.7943	BINGER NUJECT - ONEY 138KV CKT 1
15WP	06ALL	0	TO->FROM	G15_031_230	CLINTON JUNCTION - ELK CITY 138KV CKT 1	148.8	0.02203	117.7943	BINGER NUJECT - ONEY 138KV CKT 1
15SP	06ALL	0	TO->FROM	G15_031_230	CLINTON JUNCTION - ELK CITY 138KV CKT 1	148.8	0.03245	117.621	SPSCont-05b
15WP	06ALL	0	TO->FROM	G15_031_230	CLINTON JUNCTION - ELK CITY 138KV CKT 1	148.8	0.03245	117.621	SPSCont-05b
15SP	06ALL	0	TO->FROM	G15_031_230	CLINTON JUNCTION - ELK CITY 138KV CKT 1	148.8	0.03245	117.2177	SPSCont-04
15WP	06ALL	0	TO->FROM	G15_031_230	CLINTON JUNCTION - ELK CITY 138KV CKT 1	148.8	0.03245	117.2177	SPSCont-04
15SP	06ALL	0	TO->FROM	G15_031_230	CLINTON JUNCTION - ELK CITY 138KV CKT 1	148.8	0.03305	117.0444	DBL-THIS-WWRD
15WP	06ALL	0	TO->FROM	G15_031_230	CLINTON JUNCTION - ELK CITY 138KV CKT 1	148.8	0.03305	117.0444	DBL-THIS-WWRD
15SP	06ALL	0	TO->FROM	G15_031_230	CLINTON JUNCTION - ELK CITY 138KV CKT 1	132.4	0.02859	116.1435	BASE CASE
15WP	06ALL	0	TO->FROM	G15_031_230	CLINTON JUNCTION - ELK CITY 138KV CKT 1	132.4	0.02859	116.1435	BASE CASE
15SP	06ALL	0	TO->FROM	G15_031_230	CLINTON JUNCTION - ELK CITY 138KV CKT 1	148.8	0.03243	115.5927	CLINTON AIR FORCE BASE TAP - ELK CITY 138KV CKT 1
15WP	06ALL	0	TO->FROM	G15_031_230	CLINTON JUNCTION - ELK CITY 138KV CKT 1	148.8	0.03243	115.5927	CLINTON AIR FORCE BASE TAP - ELK CITY 138KV CKT 1
15SP	06ALL	0	TO->FROM	G15_031_230	CLINTON JUNCTION - ELK CITY 138KV CKT 1	148.8	0.03554	115.371	CHISHOLM7 345.00 - WOODWARD DISTRICT EHV 345KV CKT 1
15WP	06ALL	0	TO->FROM	G15_031_230	CLINTON JUNCTION - ELK CITY 138KV CKT 1	148.8	0.03554	115.371	CHISHOLM7 345.00 - WOODWARD DISTRICT EHV 345KV CKT 1
15SP	06ALL	0	TO->FROM	G15_031_230	CLINTON JUNCTION - ELK CITY 138KV CKT 1	148.8	0.03243	114.7191	CLINTON AIR FORCE BASE TAP - HOBART JUNCTION 138KV CKT 1
15WP	06ALL	0	TO->FROM	G15_031_230	CLINTON JUNCTION - ELK CITY 138KV CKT 1	148.8	0.03243	114.7191	CLINTON AIR FORCE BASE TAP - HOBART JUNCTION 138KV CKT 1
15SP	06ALL	0	TO->FROM	G15_031_230	CLINTON JUNCTION - ELK CITY 138KV CKT 1	148.8	0.02203	113.6277	BINGER NUJECT - SICKLES 138KV CKT 1
15WP	06ALL	0	TO->FROM	G15_031_230	CLINTON JUNCTION - ELK CITY 138KV CKT 1	148.8	0.02203	113.6277	BINGER NUJECT - SICKLES 138KV CKT 1
15SP	06ALL	0	TO->FROM	G15_031_230	CLINTON JUNCTION - ELK CITY 138KV CKT 1	148.8	0.03245	113.5215	G11_051T 345.00 - TATONGA7 345.00 345KV CKT 1
15WP	06ALL	0	TO->FROM	G15_031_230	CLINTON JUNCTION - ELK CITY 138KV CKT 1	148.8	0.03245	113.5215	G11_051T 345.00 - TATONGA7 345.00 345KV CKT 1
15SP	06ALL	0	TO->FROM	G15_031_230	CLINTON JUNCTION - ELK CITY 138KV CKT 1	148.8	0.02203	113.0228	CLINTON JUNCTION - G07-32T 138.00 138KV CKT 1
15WP	06ALL	0	TO->FROM	G15_031_230	CLINTON JUNCTION - ELK CITY 138KV CKT 1	148.8	0.02203	113.0228	CLINTON JUNCTION - G07-32T 138.00 138KV CKT 1
15SP	06ALL	0	TO->FROM	G15_031_230	CLINTON JUNCTION - ELK CITY 138KV CKT 1	148.8	0.02859	112.8857	G07-32 138.00 - G07-32T 138.00 138KV CKT 1
15SP	06ALL	0	TO->FROM	G15_031_230	CLINTON JUNCTION - ELK CITY 138KV CKT 1	148.8	0.02859	112.8857	G07-32 138.00 138/34.5KV TRANSFORMER CKT 1
15SP	06ALL	0	TO->FROM	G15_031_230	CLINTON JUNCTION - ELK CITY 138KV CKT 1	148.8	0.02859	112.8857	G07-32 34.500 34.5/12.0KV TRANSFORMER CKT 1
15WP	06ALL	0	TO->FROM	G15_031_230	CLINTON JUNCTION - ELK CITY 138KV CKT 1	148.8	0.02859	112.8857	G07-32 138.00 - G07-32T 138.00 138KV CKT 1
15WP	06ALL	0	TO->FROM	G15_031_230	CLINTON JUNCTION - ELK CITY 138KV CKT 1	148.8	0.02859	112.8857	G07-32 138.00 138/34.5KV TRANSFORMER CKT 1
15WP	06ALL	0	TO->FROM	G15_031_230	CLINTON JUNCTION - ELK CITY 138KV CKT 1	148.8	0.02859	112.8857	G07-32 34.500 34.5/12.0KV TRANSFORMER CKT 1
15SP	06ALL	0	TO->FROM	G15_031_230	CLINTON JUNCTION - ELK CITY 138KV CKT 1	148.8	0.02859	111.4745	WASHITA - WEATHERFORD WIND FARM 34 KV 34.5KV CKT 1
15WP	06ALL	0	TO->FROM	G15_031_230	CLINTON JUNCTION - ELK CITY 138KV CKT 1	148.8	0.02859	111.4745	WASHITA - WEATHERFORD WIND FARM 34 KV 34.5KV CKT 1
20SP	06ALL	0	TO->FROM	G15_031_230	CLINTON JUNCTION - ELK CITY 138KV CKT 1	151.1	0.0422	109.4322	CHISHOLM7 345.00 - GRACEMONT 345KV CKT 1
20WP	06ALL	0	TO->FROM	G15_031_230	CLINTON JUNCTION - ELK CITY 138KV CKT 1	151.1	0.0422	109.4322	CHISHOLM7 345.00 - GRACEMONT 345KV CKT 1
20SP	06ALL	0	TO->FROM	G15_031_230	CLINTON JUNCTION - ELK CITY 138KV CKT 1	151.1	0.02193	106.4937	ONEY - WASHITA 138KV CKT 1
20WP	06ALL	0	TO->FROM	G15_031_230	CLINTON JUNCTION - ELK CITY 138KV CKT 1	151.1	0.02193	106.4937	ONEY - WASHITA 138KV CKT 1
15G	06ALL	0	TO->FROM	G15_031_230	CLINTON JUNCTION - ELK CITY 138KV CKT 1	185.1	0.03497	105.812	G14-074T 345.00 - OKLAUNION 345KV CKT 1
20SP	06ALL	0	TO->FROM	G15_031_230	CLINTON JUNCTION - ELK CITY 138KV CKT 1	151.1	0.02193	103.9126	BINGER NUJECT - ONEY 138KV CKT 1
20WP	06ALL	0	TO->FROM	G15_031_230	CLINTON JUNCTION - ELK CITY 138KV CKT 1	151.1	0.02193	103.9126	BINGER NUJECT - ONEY 138KV CKT 1
15G	06ALL	0	TO->FROM	G15_031_230	CLINTON JUNCTION - ELK CITY 138KV CKT 1	185.1	0.03497	102.6786	G14-074T 345.00 - TUCO INTERCHANGE 345KV CKT 1

SEASON	GROUP	SCENARIO	DIRECTION	SOURCE	MONITORED ELEMENT	RATE (MVA)	TDF	CONTINGENCY	
								LOADING %	CONTINGENCY
15G	06ALL	0	TO->FROM	G15_031_230	CLINTON JUNCTION - ELK CITY 138KV CKT 1	185.1	0.03139	102.362	NORTHWEST - TATONGA7 345.00 345KV CKT 1
15G	06ALL	0	TO->FROM	G15_031_230	CLINTON JUNCTION - ELK CITY 138KV CKT 1	185.1	0.03139	101.9838	SPSCont-05b
15G	06ALL	0	TO->FROM	G15_031_230	CLINTON JUNCTION - ELK CITY 138KV CKT 1	185.1	0.03139	101.6596	SPSCont-04
15G	06ALL	0	TO->FROM	G15_031_230	CLINTON JUNCTION - ELK CITY 138KV CKT 1	185.1	0.03123	101.5505	CLINTON AIR FORCE BASE TAP - ELK CITY 138KV CKT 1
15G	06ALL	0	TO->FROM	G15_031_230	CLINTON JUNCTION - ELK CITY 138KV CKT 1	185.1	0.03123	100.9562	CLINTON AIR FORCE BASE TAP - HOBART JUNCTION 138KV CKT 1
15G	06ALL	0	TO->FROM	G15_031_230	CLINTON JUNCTION - ELK CITY 138KV CKT 1	185.1	0.03442	100.2636	CHISHOLM7 345.00 - WOODWARD DISTRICT EHV 345KV CKT 1
15G	06ALL	0	TO->FROM	G15_031_230	CLINTON JUNCTION - ELK CITY 138KV CKT 1	185.1	0.03186	100.0194	DBL-THIS-WWRD
15SP	06ALL	0	FROM->TO	G15_031_230	CLINTON JUNCTION - FOSS TAP 69KV CKT 1	74.7	0.00792	104.3695	CLINTON JUNCTION - CLINTON NATURAL GAS TAP 138KV CKT 1
15WP	06ALL	0	FROM->TO	G15_031_230	CLINTON JUNCTION - FOSS TAP 69KV CKT 1	74.7	0.00792	104.3695	CLINTON JUNCTION - CLINTON NATURAL GAS TAP 138KV CKT 1
15SP	06ALL	0	TO->FROM	G15_031_230	COMANCHE TAP - TOSCO 69KV CKT 1	39	0.00578	103.8974	G14-057T 345.00 - SUNNYSIDE 345KV CKT 1
15WP	06ALL	0	TO->FROM	G15_031_230	COMANCHE TAP - TOSCO 69KV CKT 1	39	0.00578	103.8974	G14-057T 345.00 - SUNNYSIDE 345KV CKT 1
15SP	06ALL	0	TO->FROM	G15_031_230	COMANCHE TAP - TOSCO 69KV CKT 1	39	0.00578	101.0769	G14-057T 345.00 - LAWTON EASTSIDE 345KV CKT 1
15WP	06ALL	0	TO->FROM	G15_031_230	COMANCHE TAP - TOSCO 69KV CKT 1	39	0.00578	101.0769	G14-057T 345.00 - LAWTON EASTSIDE 345KV CKT 1
15SP	06ALL	0	FROM->TO	G15_031_230	DUNCAN - TOSCO 69KV CKT 1	38.9	0.00578	108.2776	G14-057T 345.00 - SUNNYSIDE 345KV CKT 1
15WP	06ALL	0	FROM->TO	G15_031_230	DUNCAN - TOSCO 69KV CKT 1	38.9	0.00578	108.2776	G14-057T 345.00 - SUNNYSIDE 345KV CKT 1
15SP	06ALL	0	FROM->TO	G15_031_230	DUNCAN - TOSCO 69KV CKT 1	38.9	0.00578	105.7069	G14-057T 345.00 - LAWTON EASTSIDE 345KV CKT 1
15WP	06ALL	0	FROM->TO	G15_031_230	DUNCAN - TOSCO 69KV CKT 1	38.9	0.00578	105.7069	G14-057T 345.00 - LAWTON EASTSIDE 345KV CKT 1
15SP	06ALL	0	TO->FROM	G15_031_230	EARLSBORO 4138.00 - MAUD 138KV CKT 1	97.7	0.00727	106.0778	MAUD (MAUD1) 138/69/13.2KV TRANSFORMER CKT 1
15WP	06ALL	0	TO->FROM	G15_031_230	EARLSBORO 4138.00 - MAUD 138KV CKT 1	97.7	0.00727	106.0778	MAUD (MAUD1) 138/69/13.2KV TRANSFORMER CKT 1
15SP	06ALL	0	TO->FROM	G15_031_230	EARLSBORO 4138.00 - MAUD 138KV CKT 1	97.7	0.00707	101.042	CANADIAN RIVER - MCALESTER SOUTH 138KV CKT 1
15SP	06ALL	0	TO->FROM	G15_031_230	EARLSBORO 4138.00 - MAUD 138KV CKT 1	97.7	0.00698	101.042	G14-074T 345.00 - OKLAUNION 345KV CKT 1
15WP	06ALL	0	TO->FROM	G15_031_230	EARLSBORO 4138.00 - MAUD 138KV CKT 1	97.7	0.00707	101.042	CANADIAN RIVER - MCALESTER SOUTH 138KV CKT 1
15WP	06ALL	0	TO->FROM	G15_031_230	EARLSBORO 4138.00 - MAUD 138KV CKT 1	97.7	0.00698	101.042	G14-074T 345.00 - OKLAUNION 345KV CKT 1
25SP	06ALL	0	FROM->TO	G15_031_230	EDDY_NORTH 6230.00 (WAUK WT01134) 230/115/13.2KV TRANSFORMER CKT 2	285	0.00478	104.4196	EDDY COUNTY INTERCHANGE - EDDY_NORTH 6230.00 230KV CKT @1
25SP	06ALL	0	FROM->TO	G15_031_230	EDDY_NORTH 6230.00 (WAUK WT01134) 230/115/13.2KV TRANSFORMER CKT 2	286.3	0.00478	103.8757	EDDY COUNTY INTERCHANGE - EDDY_NORTH 6230.00 230KV CKT @1
15G	06ALL	0	FROM->TO	G15_031_230	ELDORADO - ELDORADO JCT 69KV CKT 1	26.9	0.00812	101.5093	LAKE PAULINE - RUSSELL 138KV CKT 1
15G	06ALL	0	FROM->TO	G15_031_230	ELK CITY 230KV (ELKCTY-6) 230/138/13.8KV TRANSFORMER CKT 1	446.9	0.09582	117.0906	CHISHOLM7 345.00 - GRACEMONT 345KV CKT 1
15SP	06ALL	0	FROM->TO	G15_031_230	ELK CITY 230KV (ELKCTY-6) 230/138/13.8KV TRANSFORMER CKT 1	446.4	0.10136	117.0798	CHISHOLM7 345.00 - GRACEMONT 345KV CKT 1
15WP	06ALL	0	FROM->TO	G15_031_230	ELK CITY 230KV (ELKCTY-6) 230/138/13.8KV TRANSFORMER CKT 1	446.4	0.10136	117.0798	CHISHOLM7 345.00 - GRACEMONT 345KV CKT 1
15G	06ALL	0	FROM->TO	G15_031_230	ELK CITY 230KV (ELKCTY-6) 230/138/13.8KV TRANSFORMER CKT 1	449.3	0.09582	116.5542	CHISHOLM7 345.00 - GRACEMONT 345KV CKT 1
15SP	06ALL	0	FROM->TO	G15_031_230	ELK CITY 230KV (ELKCTY-6) 230/138/13.8KV TRANSFORMER CKT 1	449.3	0.10136	116.4353	CHISHOLM7 345.00 - GRACEMONT 345KV CKT 1
15WP	06ALL	0	FROM->TO	G15_031_230	ELK CITY 230KV (ELKCTY-6) 230/138/13.8KV TRANSFORMER CKT 1	449.3	0.10136	116.4353	CHISHOLM7 345.00 - GRACEMONT 345KV CKT 1
15SP	06ALL	0	FROM->TO	G15_031_230	ELK CITY 230KV (ELKCTY-6) 230/138/13.8KV TRANSFORMER CKT 1	446.4	0.08727	103.6725	G14-074T 345.00 - OKLAUNION 345KV CKT 1
15WP	06ALL	0	FROM->TO	G15_031_230	ELK CITY 230KV (ELKCTY-6) 230/138/13.8KV TRANSFORMER CKT 1	446.4	0.08727	103.6725	G14-074T 345.00 - OKLAUNION 345KV CKT 1
15SP	06ALL	0	FROM->TO	G15_031_230	ELK CITY 230KV (ELKCTY-6) 230/138/13.8KV TRANSFORMER CKT 1	449.3	0.08727	103.1146	G14-074T 345.00 - OKLAUNION 345KV CKT 1
15WP	06ALL	0	FROM->TO	G15_031_230	ELK CITY 230KV (ELKCTY-6) 230/138/13.8KV TRANSFORMER CKT 1	449.3	0.08727	103.1146	G14-074T 345.00 - OKLAUNION 345KV CKT 1
15SP	06ALL	0	FROM->TO	G15_031_230	ELK CITY 230KV (ELKCTY-6) 230/138/13.8KV TRANSFORMER CKT 1	446.4	0.09327	101.8544	CHISHOLM7 345.00 - WOODWARD DISTRICT EHV 345KV CKT 1
15WP	06ALL	0	FROM->TO	G15_031_230	ELK CITY 230KV (ELKCTY-6) 230/138/13.8KV TRANSFORMER CKT 1	446.4	0.09327	101.8544	CHISHOLM7 345.00 - WOODWARD DISTRICT EHV 345KV CKT 1
15SP	06ALL	0	FROM->TO	G15_031_230	ELK CITY 230KV (ELKCTY-6) 230/138/13.8KV TRANSFORMER CKT 1	449.3	0.09327	101.286	CHISHOLM7 345.00 - WOODWARD DISTRICT EHV 345KV CKT 1
15WP	06ALL	0	FROM->TO	G15_031_230	ELK CITY 230KV (ELKCTY-6) 230/138/13.8KV TRANSFORMER CKT 1	449.3	0.09327	101.286	CHISHOLM7 345.00 - WOODWARD DISTRICT EHV 345KV CKT 1
15SP	06ALL	0	FROM->TO	G15_031_230	ELK CITY 230KV (ELKCTY-6) 230/138/13.8KV TRANSFORMER CKT 1	446.4	0.08727	100.2227	G14-074T 345.00 - TUCO INTERCHANGE 345KV CKT 1
15WP	06ALL	0	FROM->TO	G15_031_230	ELK CITY 230KV (ELKCTY-6) 230/138/13.8KV TRANSFORMER CKT 1	446.4	0.08727	100.2227	G14-074T 345.00 - TUCO INTERCHANGE 345KV CKT 1
15G	06ALL	0	FROM->TO	G15_031_230	FPL SWITCH - MOORELAND 138KV CKT 1	284.1	0.04527	119.1074	DBL-THIS-WWRD
15G	06ALL	0	FROM->TO	G15_031_230	FPL SWITCH - MOORELAND 138KV CKT 1	284.1	0.03677	111.629	NORTHWEST - TATONGA7 345.00 345KV CKT 1
15G	06ALL	0	FROM->TO	G15_031_230	FPL SWITCH - MOORELAND 138KV CKT 1	284.1	0.03677	110.0803	SPSCont-04
15G	06ALL	0	FROM->TO	G15_031_230	FPL SWITCH - MOORELAND 138KV CKT 1	284.1	0.03677	109.8339	SPSCont-05b
15G	06ALL	0	FROM->TO	G15_031_230	FPL SWITCH - MOORELAND 138KV CKT 1	284.1	0.03659	108.3337	CHISHOLM6 230.00 - ELK CITY 230KV 230KV CKT 1
15G	06ALL	0	FROM->TO	G15_031_230	FPL SWITCH - MOORELAND 138KV CKT 1	284.1	0.03659	108.3337	ELK CITY 230KV (ELKCTY-6) 230/138/13.8KV TRANSFORMER CKT 1
15G	06ALL	0	FROM->TO	G15_031_230	FPL SWITCH - MOORELAND 138KV CKT 1	284.1	0.03677	104.6244	G11_051T 345.00 - TATONGA7 345.00 345KV CKT 1
15G	06ALL	0	FROM->TO	G15_031_230	FPL SWITCH - MOORELAND 138KV CKT 1	284.1	0.03677	103.8501	G11_051T 345.00 - WOODWARD DISTRICT EHV 345KV CKT 1
15G	06ALL	0	FROM->TO	G15_031_230	FPL SWITCH - MOORELAND 138KV CKT 1	284.1	0.03677	102.1605	SPSCont-05ax
15G	06ALL	0	FROM->TO	G15_031_230	FPL SWITCH - MOORELAND 138KV CKT 1	284.1	0.02803	101.9831	WOODWARD (WOODWRD2) 138/69/13.2KV TRANSFORMER CKT 1
15G	06ALL	0	TO->FROM	G15_031_230	FPL SWITCH - WOODWARD 138KV CKT 1	285.2	0.04527	112.2665	DBL-THIS-WWRD
15G	06ALL	0	TO->FROM	G15_031_230	FPL SWITCH - WOODWARD 138KV CKT 1	285.2	0.03677	104.852	NORTHWEST - TATONGA7 345.00 345KV CKT 1
15G	06ALL	0	TO->FROM	G15_031_230	FPL SWITCH - WOODWARD 138KV CKT 1	285.2	0.03677	103.3092	SPSCont-04
15G	06ALL	0	TO->FROM	G15_031_230	FPL SWITCH - WOODWARD 138KV CKT 1	285.2	0.03677	103.0638	SPSCont-05b
15G	06ALL	0	TO->FROM	G15_031_230	FPL SWITCH - WOODWARD 138KV CKT 1	285.2	0.03659	101.5694	CHISHOLM6 230.00 - ELK CITY 230KV 230KV CKT 1
15G	06ALL	0	TO->FROM	G15_031_230	FPL SWITCH - WOODWARD 138KV CKT 1	285.2	0.03659	101.5694	ELK CITY 230KV (ELKCTY-6) 230/138/13.8KV TRANSFORMER CKT 1
15SP	06ALL	0	TO->FROM	G15_031_230	GLASS MOUNTAIN - MOORELAND 138KV CKT 1	122.3	0.02055	109.2314	DBL-THIS-WWRD
15WP	06ALL	0	TO->FROM	G15_031_230	GLASS MOUNTAIN - MOORELAND 138KV CKT 1	122.3	0.02055	109.2314	DBL-THIS-WWRD
15SP	06ALL	0	TO->FROM	G15_031_230	GLASS MOUNTAIN - MOORELAND 138KV CKT 1	122.3	0.01578	100.5184	MOORELAND - NOEL_SW 138.00 138KV CKT 1
15WP	06ALL	0	TO->FROM	G15_031_230	GLASS MOUNTAIN - MOORELAND 138KV CKT 1	122.3	0.01578	100.5184	MOORELAND - NOEL_SW 138.00 138KV CKT 1
15G	06ALL	0	FROM->TO	G15_031_230	HAPPY INTERCHANGE - PALO DURO SUB 115KV CKT 1	250.9	0	107.6923	KRESS INTERCHANGE - TULIA TAP 115KV CKT 1
15SP	06ALL	0	FROM->TO	G15_031_230	HAPPY INTERCHANGE - PALO DURO SUB 115KV CKT 1	250.8	0	101.0766	KRESS INTERCHANGE - TULIA TAP 115KV CKT 1
15WP	06ALL	0	FROM->TO	G15_031_230	HAPPY INTERCHANGE - PALO DURO SUB 115KV CKT 1	250.8	0	101.0766	KRESS INTERCHANGE - TULIA TAP 115KV CKT 1

SEASON	GROUP	SCENARIO	DIRECTION	SOURCE	MONITORED ELEMENT	RATE (MVA)	TDF	CONTINGENCY	
								LOADING %	CONTINGENCY
15G	06ALL	0	TO->FROM	G15_031_230	HAPPY INTERCHANGE - TULIA TAP 115KV CKT 1	251	0	117.7291	KRESS INTERCHANGE - TULIA TAP 115KV CKT 1
25SP	06ALL	0	TO->FROM	G15_031_230	HAPPY INTERCHANGE - TULIA TAP 115KV CKT 1	250.9	0	116.5803	KRESS INTERCHANGE - TULIA TAP 115KV CKT 1
20SP	06ALL	0	TO->FROM	G15_031_230	HAPPY INTERCHANGE - TULIA TAP 115KV CKT 1	250.9	0	116.381	KRESS INTERCHANGE - TULIA TAP 115KV CKT 1
20WP	06ALL	0	TO->FROM	G15_031_230	HAPPY INTERCHANGE - TULIA TAP 115KV CKT 1	250.9	0	116.381	KRESS INTERCHANGE - TULIA TAP 115KV CKT 1
15SP	06ALL	0	TO->FROM	G15_031_230	HAPPY INTERCHANGE - TULIA TAP 115KV CKT 1	251	0	116.1355	KRESS INTERCHANGE - TULIA TAP 115KV CKT 1
15WP	06ALL	0	TO->FROM	G15_031_230	HAPPY INTERCHANGE - TULIA TAP 115KV CKT 1	251	0	116.1355	KRESS INTERCHANGE - TULIA TAP 115KV CKT 1
15G	06ALL	0	FROM->TO	G15_031_230	Harrington Station East Bus - POTTER COUNTY INTERCHANGE 230KV CKT 1	346.8	0.05592	116.7688	CHERRY1 - HARRINGTON STATION 230KV CKT 1
15G	06ALL	0	FROM->TO	G15_031_230	Harrington Station East Bus - POTTER COUNTY INTERCHANGE 230KV CKT 1	346.8	0.06361	114.5277	CHERRY1 - POTTER COUNTY INTERCHANGE 230KV CKT 1
15G	06ALL	0	TO->FROM	G15_031_230	HAYS PLANT - SOUTH HAYS 115KV CKT 1	98.9	0.00598	115.3812	KNOLL 230 - POSTROCK6 230.00 230KV CKT 1
15SP	06ALL	0	FROM->TO	G15_031_230	HAYS PLANT - VINE STREET 115KV CKT 1	88	0.00573	116.8955	KNOLL 230 - POSTROCK6 230.00 230KV CKT 1
15WP	06ALL	0	FROM->TO	G15_031_230	HAYS PLANT - VINE STREET 115KV CKT 1	88	0.00573	116.8955	KNOLL 230 - POSTROCK6 230.00 230KV CKT 1
15G	06ALL	0	FROM->TO	G15_031_230	HAYS PLANT - VINE STREET 115KV CKT 1	87.9	0.00598	105.9295	KNOLL 230 - POSTROCK6 230.00 230KV CKT 1
15SP	06ALL	0	FROM->TO	G15_031_230	JERICHO (JERIC2WT) 115/69/14.4KV TRANSFORMER CKT 1	45.6	0.00652	106.9737	KIRBY SWITCHING STATION - MCCLELLAN SUB 115KV CKT 1
15WP	06ALL	0	FROM->TO	G15_031_230	JERICHO (JERIC2WT) 115/69/14.4KV TRANSFORMER CKT 1	45.6	0.00652	106.9737	KIRBY SWITCHING STATION - MCCLELLAN SUB 115KV CKT 1
15SP	06ALL	0	FROM->TO	G15_031_230	JERICHO (JERIC2WT) 115/69/14.4KV TRANSFORMER CKT 1	45.9	0.00652	106.2745	KIRBY SWITCHING STATION - MCCLELLAN SUB 115KV CKT 1
15WP	06ALL	0	FROM->TO	G15_031_230	JERICHO (JERIC2WT) 115/69/14.4KV TRANSFORMER CKT 1	45.9	0.00652	106.2745	KIRBY SWITCHING STATION - MCCLELLAN SUB 115KV CKT 1
15SP	06ALL	0	FROM->TO	G15_031_230	JERICHO (JERIC2WT) 115/69/14.4KV TRANSFORMER CKT 1	45.6	0.00652	105.6579	MCCLELLAN SUB - MCLEAN RURAL SUB 115KV CKT 1
15WP	06ALL	0	FROM->TO	G15_031_230	JERICHO (JERIC2WT) 115/69/14.4KV TRANSFORMER CKT 1	45.6	0.00652	105.6579	MCCLELLAN SUB - MCLEAN RURAL SUB 115KV CKT 1
15SP	06ALL	0	FROM->TO	G15_031_230	JERICHO (JERIC2WT) 115/69/14.4KV TRANSFORMER CKT 1	45.9	0.00652	104.9673	MCCLELLAN SUB - MCLEAN RURAL SUB 115KV CKT 1
15WP	06ALL	0	FROM->TO	G15_031_230	JERICHO (JERIC2WT) 115/69/14.4KV TRANSFORMER CKT 1	45.9	0.00652	104.9673	MCCLELLAN SUB - MCLEAN RURAL SUB 115KV CKT 1
15G	06ALL	0	FROM->TO	G15_031_230	JERICHO (JERIC2WT) 115/69/14.4KV TRANSFORMER CKT 1	45.7	0.00657	102.0438	KIRBY SWITCHING STATION - MCCLELLAN SUB 115KV CKT 1
15SP	06ALL	0	FROM->TO	G15_031_230	JERICHO (JERIC2WT) 115/69/14.4KV TRANSFORMER CKT 1	45.6	0.00652	101.9298	SPP-SWPS-T54
15WP	06ALL	0	FROM->TO	G15_031_230	JERICHO (JERIC2WT) 115/69/14.4KV TRANSFORMER CKT 1	45.6	0.00652	101.9298	SPP-SWPS-T54
15G	06ALL	0	FROM->TO	G15_031_230	JERICHO (JERIC2WT) 115/69/14.4KV TRANSFORMER CKT 1	45.9	0.00657	101.5991	KIRBY SWITCHING STATION - MCCLELLAN SUB 115KV CKT 1
15SP	06ALL	0	FROM->TO	G15_031_230	JERICHO (JERIC2WT) 115/69/14.4KV TRANSFORMER CKT 1	45.9	0.00652	101.2636	SPP-SWPS-T54
15WP	06ALL	0	FROM->TO	G15_031_230	JERICHO (JERIC2WT) 115/69/14.4KV TRANSFORMER CKT 1	45.9	0.00652	101.2636	SPP-SWPS-T54
15G	06ALL	0	FROM->TO	G15_031_230	JERICHO (JERIC2WT) 115/69/14.4KV TRANSFORMER CKT 1	45.7	0.00657	100.7309	MCCLELLAN SUB - MCLEAN RURAL SUB 115KV CKT 1
15SP	06ALL	0	FROM->TO	G15_031_230	JERICHO (JERIC2WT) 115/69/14.4KV TRANSFORMER CKT 1	45.6	0.00652	100.3947	MCLEAN RURAL SUB - SHAMROCK 115KV CKT 1
15SP	06ALL	0	FROM->TO	G15_031_230	JERICHO (JERIC2WT) 115/69/14.4KV TRANSFORMER CKT 1	45.6	0.00652	100.3947	SHAMROCK (SHAMRCK1) 115/69/14.4KV TRANSFORMER CKT 1
15WP	06ALL	0	FROM->TO	G15_031_230	JERICHO (JERIC2WT) 115/69/14.4KV TRANSFORMER CKT 1	45.6	0.00652	100.3947	MCLEAN RURAL SUB - SHAMROCK 115KV CKT 1
15WP	06ALL	0	FROM->TO	G15_031_230	JERICHO (JERIC2WT) 115/69/14.4KV TRANSFORMER CKT 1	45.6	0.00652	100.3947	SHAMROCK (SHAMRCK1) 115/69/14.4KV TRANSFORMER CKT 1
15G	06ALL	0	FROM->TO	G15_031_230	JERICHO (JERIC2WT) 115/69/14.4KV TRANSFORMER CKT 1	45.9	0.00657	100.2919	MCCLELLAN SUB - MCLEAN RURAL SUB 115KV CKT 1
15G	06ALL	0	TO->FROM	G15_031_230	KRESS INTERCHANGE - TULIA TAP 115KV CKT 1	250.9	0	117.776	HAPPY INTERCHANGE - TULIA TAP 115KV CKT 1
25SP	06ALL	0	TO->FROM	G15_031_230	KRESS INTERCHANGE - TULIA TAP 115KV CKT 1	250.8	0	116.6268	HAPPY INTERCHANGE - TULIA TAP 115KV CKT 1
20SP	06ALL	0	TO->FROM	G15_031_230	KRESS INTERCHANGE - TULIA TAP 115KV CKT 1	250.8	0	116.4274	HAPPY INTERCHANGE - TULIA TAP 115KV CKT 1
20WP	06ALL	0	TO->FROM	G15_031_230	KRESS INTERCHANGE - TULIA TAP 115KV CKT 1	250.8	0	116.4274	HAPPY INTERCHANGE - TULIA TAP 115KV CKT 1
15SP	06ALL	0	TO->FROM	G15_031_230	KRESS INTERCHANGE - TULIA TAP 115KV CKT 1	250.9	0	116.1817	HAPPY INTERCHANGE - TULIA TAP 115KV CKT 1
15WP	06ALL	0	TO->FROM	G15_031_230	KRESS INTERCHANGE - TULIA TAP 115KV CKT 1	250.9	0	116.1817	HAPPY INTERCHANGE - TULIA TAP 115KV CKT 1
15G	06ALL	0	TO->FROM	G15_031_230	KRESS INTERCHANGE - TULIA TAP 115KV CKT 1	250.9	0	107.6923	HAPPY INTERCHANGE - PALO DURO SUB 115KV CKT 1
15G	06ALL	0	TO->FROM	G15_031_230	KRESS INTERCHANGE - TULIA TAP 115KV CKT 1	250.9	0	107.6923	SPP-SWPS-T66
15G	06ALL	0	TO->FROM	G15_031_230	KRESS INTERCHANGE - TULIA TAP 115KV CKT 1	250.9	0	107.0945	PALO DURO SUB - RANDALL COUNTY INTERCHANGE 115KV CKT 1
15SP	06ALL	0	TO->FROM	G15_031_230	KRESS INTERCHANGE - TULIA TAP 115KV CKT 1	250.9	0	101.0363	HAPPY INTERCHANGE - PALO DURO SUB 115KV CKT 1
15SP	06ALL	0	TO->FROM	G15_031_230	KRESS INTERCHANGE - TULIA TAP 115KV CKT 1	250.9	0	101.0363	SPP-SWPS-T66
15WP	06ALL	0	TO->FROM	G15_031_230	KRESS INTERCHANGE - TULIA TAP 115KV CKT 1	250.9	0	101.0363	HAPPY INTERCHANGE - PALO DURO SUB 115KV CKT 1
15WP	06ALL	0	TO->FROM	G15_031_230	KRESS INTERCHANGE - TULIA TAP 115KV CKT 1	250.9	0	101.0363	SPP-SWPS-T66
15SP	06ALL	0	TO->FROM	G15_031_230	KRESS INTERCHANGE - TULIA TAP 115KV CKT 1	250.9	0	100.1594	PALO DURO SUB - RANDALL COUNTY INTERCHANGE 115KV CKT 1
15WP	06ALL	0	TO->FROM	G15_031_230	KRESS INTERCHANGE - TULIA TAP 115KV CKT 1	250.9	0	100.1594	PALO DURO SUB - RANDALL COUNTY INTERCHANGE 115KV CKT 1
25SP	00NR	0	TO->FROM	G15_031_230	LUBBOCK POWER & LIGHT-CO-OP - LUBBOCK POWER & LIGHT-SLATON 69KV CKT 1	53.5	0.00696	154.3701	LUBBOCK POWER & LIGHT-CO-OP - LUBBOCK POWER & LIGHT-WADSWORTH 69KV CKT 1
20SP	00NR	0	TO->FROM	G15_031_230	LUBBOCK POWER & LIGHT-CO-OP - LUBBOCK POWER & LIGHT-SLATON 69KV CKT 1	53.6	0.00972	138.2761	LUBBOCK POWER & LIGHT-CO-OP - LUBBOCK POWER & LIGHT-WADSWORTH 69KV CKT 1
15SP	00NR	0	TO->FROM	G15_031_230	LUBBOCK POWER & LIGHT-CO-OP - LUBBOCK POWER & LIGHT-SLATON 69KV CKT 1	53.9	0.00934	115.2171	LUBBOCK POWER & LIGHT-CO-OP - LUBBOCK POWER & LIGHT-WADSWORTH 69KV CKT 1
20WP	00NR	0	TO->FROM	G15_031_230	LUBBOCK POWER & LIGHT-CO-OP - LUBBOCK POWER & LIGHT-SLATON 69KV CKT 1	53.9	0.01592	105.5213	LUBBOCK POWER & LIGHT-CO-OP - LUBBOCK POWER & LIGHT-WADSWORTH 69KV CKT 1
25SP	00NR	0	TO->FROM	G15_031_230	LUBBOCK POWER & LIGHT-CO-OP - LUBBOCK POWER & LIGHT-WADSWORTH 69KV CKT 1	105.6	0.00688	126.7652	BASE CASE
25SP	00NR	0	TO->FROM	G15_031_230	LUBBOCK POWER & LIGHT-CO-OP - LUBBOCK POWER & LIGHT-WADSWORTH 69KV CKT 1	141.2	0.00837	125.4327	LUBBOCK POWER & LIGHT-SLATON - LUBBOCK POWER & LIGHT-SOUTHEAST 69KV CKT 1
25SP	00NR	0	TO->FROM	G15_031_230	LUBBOCK POWER & LIGHT-CO-OP - LUBBOCK POWER & LIGHT-WADSWORTH 69KV CKT 1	141.2	0.00916	115.9688	LUBBOCK POWER & LIGHT-SOUTHEAST - LUBBOCK SOUTH INTERCHANGE 230KV CKT 1
25SP	00NR	0	TO->FROM	G15_031_230	LUBBOCK POWER & LIGHT-CO-OP - LUBBOCK POWER & LIGHT-WADSWORTH 69KV CKT 1	141.2	0.00866	114.2337	LUBBOCK POWER & LIGHT-HOLLY GEN - LUBBOCK POWER & LIGHT-NORTHEAST 69KV CKT 1
20SP	00NR	0	TO->FROM	G15_031_230	LUBBOCK POWER & LIGHT-CO-OP - LUBBOCK POWER & LIGHT-WADSWORTH 69KV CKT 1	108	0.00954	113.5759	BASE CASE
20SP	00NR	0	TO->FROM	G15_031_230	LUBBOCK POWER & LIGHT-CO-OP - LUBBOCK POWER & LIGHT-WADSWORTH 69KV CKT 1	143	0.01153	113.328	LUBBOCK POWER & LIGHT-SLATON - LUBBOCK POWER & LIGHT-SOUTHEAST 69KV CKT 1
25SP	00NR	0	TO->FROM	G15_031_230	LUBBOCK POWER & LIGHT-CO-OP - LUBBOCK POWER & LIGHT-WADSWORTH 69KV CKT 1	141.2	0.00901	111.0503	CARLISLE INTERCHANGE - LUBBOCK POWER & LIGHT-MILWAUKEE 230KV CKT 1

SEASON	GROUP	SCENARIO	DIRECTION	SOURCE	MONITORED ELEMENT	RATE		CONTINGENCY	
						(MVA)	TDF	LOADING %	CONTINGENCY
25SP	00NR		0 TO->FROM	G15_031_230	LUBBOCK POWER & LIGHT-CO-OP - LUBBOCK POWER & LIGHT-WADSWORTH 69KV CKT 1	141.2	0.00901	110.9795	LUBBOCK POWER & LIGHT-MILWAUKEE (M-E C0681251) 230/69/13.5KV TRANSFORMER CKT 1
25SP	00NR		0 TO->FROM	G15_031_230	LUBBOCK POWER & LIGHT-CO-OP - LUBBOCK POWER & LIGHT-WADSWORTH 69KV CKT 1	141.2	0.00901	110.9795	SPP-SWPS-K39
15SP	00NR		0 TO->FROM	G15_031_230	LUBBOCK POWER & LIGHT-CO-OP - LUBBOCK POWER & LIGHT-WADSWORTH 69KV CKT 1	108	0.01017	109.5843	BASE CASE
25SP	00NR		0 TO->FROM	G15_031_230	LUBBOCK POWER & LIGHT-CO-OP - LUBBOCK POWER & LIGHT-WADSWORTH 69KV CKT 1	141.2	0.00713	108.7387	LUBBOCK POWER & LIGHT-OLIVER - LUBBOCK POWER & LIGHT-SOUTHEAST 69KV CKT 1
15SP	00NR		0 TO->FROM	G15_031_230	LUBBOCK POWER & LIGHT-CO-OP - LUBBOCK POWER & LIGHT-WADSWORTH 69KV CKT 1	143	0.01166	104.4741	LUBBOCK POWER & LIGHT-SLATON - LUBBOCK POWER & LIGHT-SOUTHEAST 69KV CKT 1
25SP	00NR		0 TO->FROM	G15_031_230	LUBBOCK POWER & LIGHT-CO-OP - LUBBOCK POWER & LIGHT-WADSWORTH 69KV CKT 1	141.2	0.00866	103.398	LUBBOCK POWER & LIGHT-MACKENZIE GEN - LUBBOCK POWER & LIGHT-NORTHEAST 69KV CKT 1
20SP	00NR		0 TO->FROM	G15_031_230	LUBBOCK POWER & LIGHT-CO-OP - LUBBOCK POWER & LIGHT-WADSWORTH 69KV CKT 1	143	0.01185	103.3252	LUBBOCK POWER & LIGHT-HOLLY GEN - LUBBOCK POWER & LIGHT-NORTHEAST 69KV CKT 1
20SP	00NR		0 TO->FROM	G15_031_230	LUBBOCK POWER & LIGHT-CO-OP - LUBBOCK POWER & LIGHT-WADSWORTH 69KV CKT 1	143	0.01323	103.265	LUBBOCK POWER & LIGHT-SOUTHEAST - LUBBOCK SOUTH INTERCHANGE 230KV CKT 1
25SP	00NR		0 TO->FROM	G15_031_230	LUBBOCK POWER & LIGHT-CO-OP - LUBBOCK POWER & LIGHT-WADSWORTH 69KV CKT 1	141.2	0.00773	102.7047	LUBBOCK POWER & LIGHT-SOUTHEAST (ABB 60258) 230/69/13.5KV TRANSFORMER CKT 1
25SP	00NR		0 TO->FROM	G15_031_230	LUBBOCK POWER & LIGHT-CO-OP - LUBBOCK POWER & LIGHT-WADSWORTH 69KV CKT 1	141.2	0.00768	102.1983	LUBBOCK POWER & LIGHT-SOUTHEAST (FRM WADSWRTH) 230/69/13.5KV TRANSFORMER CKT 2
25SP	00NR		0 TO->FROM	G15_031_230	LUBBOCK POWER & LIGHT-CO-OP - LUBBOCK POWER & LIGHT-WADSWORTH 69KV CKT 1	141.2	0.00719	101.5276	LUBBOCK POWER & LIGHT-CHALKER - LUBBOCK POWER & LIGHT-THOMPSON 69KV CKT 1
25SP	00NR		0 TO->FROM	G15_031_230	LUBBOCK POWER & LIGHT-CO-OP - LUBBOCK POWER & LIGHT-WADSWORTH 69KV CKT 1	141.2	0.0063	100.8428	LUBBOCK POWER & LIGHT-HOLLY GEN - LUBBOCK POWER & LIGHT-SOUTHEAST 69KV CKT 1
25SP	00NR		0 TO->FROM	G15_031_230	LUBBOCK POWER & LIGHT-CO-OP - LUBBOCK POWER & LIGHT-WADSWORTH 69KV CKT 1	141.2	0.00713	100.4525	LUBBOCK POWER & LIGHT-CHALKER - LUBBOCK POWER & LIGHT-OLIVER 69KV CKT 1
25SP	00NR		0 TO->FROM	G15_031_230	LUBBOCK POWER & LIGHT-SLATON - LUBBOCK POWER & LIGHT-SOUTHEAST 69KV CKT 1	143	0.00713	121.1462	LUBBOCK POWER & LIGHT-CO-OP - LUBBOCK POWER & LIGHT-WADSWORTH 69KV CKT 1
20SP	00NR		0 TO->FROM	G15_031_230	LUBBOCK POWER & LIGHT-SLATON - LUBBOCK POWER & LIGHT-SOUTHEAST 69KV CKT 1	142.8	0.00971	110.7934	LUBBOCK POWER & LIGHT-CO-OP - LUBBOCK POWER & LIGHT-WADSWORTH 69KV CKT 1
20SP	00NR		0 TO->FROM	G15_031_230	LUBBOCK POWER & LIGHT-SLATON - LUBBOCK POWER & LIGHT-SOUTHEAST 69KV CKT 1	142.8	0.00584	109	LUBBOCK POWER & LIGHT-OLIVER - LUBBOCK POWER & LIGHT-SOUTHEAST 69KV CKT 1
15G	06ALL		0 TO->FROM	G15_031_230	MANHATTAN TAP - RANDALL COUNTY INTERCHANGE 115KV CKT 1	159.4	0.03349	100.0903	OSAGE SWITCHING STATION - RANDALL COUNTY INTERCHANGE 115KV CKT 1
20SP	06ALL		0 TO->FROM	G15_031_230	NORGE ROAD - SOUTHWESTERN STATION 138KV CKT 1	135.7	0.01124	110.7649	SOUTHWESTERN STATION - VERDEN 138KV CKT 1
20WP	06ALL		0 TO->FROM	G15_031_230	NORGE ROAD - SOUTHWESTERN STATION 138KV CKT 1	135.7	0.01124	110.7649	SOUTHWESTERN STATION - VERDEN 138KV CKT 1
20SP	06ALL		0 TO->FROM	G15_031_230	NORGE ROAD - SOUTHWESTERN STATION 138KV CKT 1	135.7	0.01124	109.2911	NORTH 29TH CHICKASHA - VERDEN 138KV CKT 1
20WP	06ALL		0 TO->FROM	G15_031_230	NORGE ROAD - SOUTHWESTERN STATION 138KV CKT 1	135.7	0.01124	109.2911	NORTH 29TH CHICKASHA - VERDEN 138KV CKT 1
20SP	06ALL		0 TO->FROM	G15_031_230	NORGE ROAD - SOUTHWESTERN STATION 138KV CKT 1	135.7	0.0161	106.476	CIMARRON - MINCO 345KV CKT 1
20WP	06ALL		0 TO->FROM	G15_031_230	NORGE ROAD - SOUTHWESTERN STATION 138KV CKT 1	135.7	0.0161	106.476	CIMARRON - MINCO 345KV CKT 1
20SP	06ALL		0 TO->FROM	G15_031_230	NORGE ROAD - SOUTHWESTERN STATION 138KV CKT 1	135.7	0.01124	106.2697	CORNVILLE - NORTH 29TH CHICKASHA 138KV CKT 1
20WP	06ALL		0 TO->FROM	G15_031_230	NORGE ROAD - SOUTHWESTERN STATION 138KV CKT 1	135.7	0.01124	106.2697	CORNVILLE - NORTH 29TH CHICKASHA 138KV CKT 1
20SP	06ALL		0 TO->FROM	G15_031_230	NORGE ROAD - SOUTHWESTERN STATION 138KV CKT 1	135.7	0.01041	104.1341	ANADARKO - CORN TAP 138KV CKT 1
20WP	06ALL		0 TO->FROM	G15_031_230	NORGE ROAD - SOUTHWESTERN STATION 138KV CKT 1	135.7	0.01041	104.1341	ANADARKO - CORN TAP 138KV CKT 1
20SP	06ALL		0 TO->FROM	G15_031_230	NORGE ROAD - SOUTHWESTERN STATION 138KV CKT 1	135.7	0.0161	102.9388	GRACEMONT - MINCO 345KV CKT 1
20WP	06ALL		0 TO->FROM	G15_031_230	NORGE ROAD - SOUTHWESTERN STATION 138KV CKT 1	135.7	0.0161	102.9388	GRACEMONT - MINCO 345KV CKT 1
25SP	06ALL		0 TO->FROM	G15_031_230	NORGE ROAD - SOUTHWESTERN STATION 138KV CKT 1	135.8	0.01081	100.106	SOUTHWESTERN STATION - VERDEN 138KV CKT 1
15G	06ALL		0 FROM->TO	G15_031_230	PALO DURO SUB - RANDALL COUNTY INTERCHANGE 115KV CKT 1	250.9	0	107.0945	KRESS INTERCHANGE - TULIA TAP 115KV CKT 1
15SP	06ALL		0 FROM->TO	G15_031_230	PALO DURO SUB - RANDALL COUNTY INTERCHANGE 115KV CKT 1	250.7	0	100.2393	KRESS INTERCHANGE - TULIA TAP 115KV CKT 1
15WP	06ALL		0 FROM->TO	G15_031_230	PALO DURO SUB - RANDALL COUNTY INTERCHANGE 115KV CKT 1	250.7	0	100.2393	KRESS INTERCHANGE - TULIA TAP 115KV CKT 1
15SP	06ALL		0 FROM->TO	G15_031_230	PRINGLE INTERCHANGE - SPEARMAN INTERCHANGE 115KV CKT 1	159.7	0.03625	104.2317	PRINGLE INTERCHANGE - SPEARMAN INTERCHANGE 115KV CKT 2
15WP	06ALL		0 FROM->TO	G15_031_230	PRINGLE INTERCHANGE - SPEARMAN INTERCHANGE 115KV CKT 1	159.7	0.03625	104.2317	PRINGLE INTERCHANGE - SPEARMAN INTERCHANGE 115KV CKT 2
15G	06ALL		0 FROM->TO	G15_031_230	PRINGLE INTERCHANGE - SPEARMAN INTERCHANGE 115KV CKT 1	158.4	0.03495	103.0429	PRINGLE INTERCHANGE - SPEARMAN INTERCHANGE 115KV CKT 2
15G	06ALL		0 FROM->TO	G15_031_230	SHAMROCK (SHAMRCK1) 115/69/14.4KV TRANSFORMER CKT 1	66	0.01317	105.7818	CHISHOLM6 230.00 - SWEETWATER 230KV CKT 1
15G	06ALL		0 FROM->TO	G15_031_230	SHAMROCK (SHAMRCK1) 115/69/14.4KV TRANSFORMER CKT 1	66	0.01197	105.3485	HWRDWCK2 69.000 - JERICO 69KV CKT 1
15G	06ALL		0 FROM->TO	G15_031_230	SHAMROCK (SHAMRCK1) 115/69/14.4KV TRANSFORMER CKT 1	66	0.01197	105.3485	JERICO - KIRBY SWITCHING STATION 115KV CKT 1
15G	06ALL		0 FROM->TO	G15_031_230	SHAMROCK (SHAMRCK1) 115/69/14.4KV TRANSFORMER CKT 1	66	0.01197	105.3485	JERICO (JERIC2WT) 115/69/14.4KV TRANSFORMER CKT 1
15G	06ALL		0 FROM->TO	G15_031_230	SHAMROCK (SHAMRCK1) 115/69/14.4KV TRANSFORMER CKT 1	66	0.01197	104.5909	CLARENDON - HWRDWCK2 69.000 69KV CKT 1
15G	06ALL		0 FROM->TO	G15_031_230	SHAMROCK (SHAMRCK1) 115/69/14.4KV TRANSFORMER CKT 1	66	0.01308	104.2242	G14-074T 345.00 - OKLAUNION 345KV CKT 1
15G	06ALL		0 FROM->TO	G15_031_230	SHAMROCK (SHAMRCK1) 115/69/14.4KV TRANSFORMER CKT 1	67.1	0.01317	104.1967	CHISHOLM6 230.00 - SWEETWATER 230KV CKT 1
15G	06ALL		0 FROM->TO	G15_031_230	SHAMROCK (SHAMRCK1) 115/69/14.4KV TRANSFORMER CKT 1	67.1	0.01197	103.7705	HWRDWCK2 69.000 - JERICO 69KV CKT 1
15G	06ALL		0 FROM->TO	G15_031_230	SHAMROCK (SHAMRCK1) 115/69/14.4KV TRANSFORMER CKT 1	67.1	0.01197	103.7705	JERICO - KIRBY SWITCHING STATION 115KV CKT 1
15G	06ALL		0 FROM->TO	G15_031_230	SHAMROCK (SHAMRCK1) 115/69/14.4KV TRANSFORMER CKT 1	67.1	0.01197	103.7705	JERICO (JERIC2WT) 115/69/14.4KV TRANSFORMER CKT 1
15G	06ALL		0 FROM->TO	G15_031_230	SHAMROCK (SHAMRCK1) 115/69/14.4KV TRANSFORMER CKT 1	66	0.01317	103.5091	GRAPEVINE INTERCHANGE - STATELINE INTERCHANGE 230KV CKT 1
15G	06ALL		0 FROM->TO	G15_031_230	SHAMROCK (SHAMRCK1) 115/69/14.4KV TRANSFORMER CKT 1	67.1	0.01197	103.0253	CLARENDON - HWRDWCK2 69.000 69KV CKT 1
15G	06ALL		0 FROM->TO	G15_031_230	SHAMROCK (SHAMRCK1) 115/69/14.4KV TRANSFORMER CKT 1	66	0.01216	103.0242	CHISHOLM6 230.00 - ELK CITY 230KV 230KV CKT 1
15G	06ALL		0 FROM->TO	G15_031_230	SHAMROCK (SHAMRCK1) 115/69/14.4KV TRANSFORMER CKT 1	66	0.01216	103.0242	ELK CITY 230KV (ELKCTY-6) 230/138/13.8KV TRANSFORMER CKT 1
15G	06ALL		0 FROM->TO	G15_031_230	SHAMROCK (SHAMRCK1) 115/69/14.4KV TRANSFORMER CKT 1	66	0.01254	102.9151	CHISHOLM7 345.00 - GRACEMONT 345KV CKT 1
15G	06ALL		0 FROM->TO	G15_031_230	SHAMROCK (SHAMRCK1) 115/69/14.4KV TRANSFORMER CKT 1	67.1	0.01308	102.8137	G14-074T 345.00 - OKLAUNION 345KV CKT 1
15G	06ALL		0 FROM->TO	G15_031_230	SHAMROCK (SHAMRCK1) 115/69/14.4KV TRANSFORMER CKT 1	67.1	0.01317	101.9613	GRAPEVINE INTERCHANGE - STATELINE INTERCHANGE 230KV CKT 1
15G	06ALL		0 FROM->TO	G15_031_230	SHAMROCK (SHAMRCK1) 115/69/14.4KV TRANSFORMER CKT 1	67.1	0.01216	101.6334	CHISHOLM6 230.00 - ELK CITY 230KV 230KV CKT 1

SEASON	GROUP	SCENARIO	DIRECTION	SOURCE	MONITORED ELEMENT	RATE (MVA)	TDF	CONTINGENCY	
								LOADING %	CONTINGENCY
15G	06ALL	0	FROM->TO	G15_031_230	SHAMROCK (SHAMRCK1) 115/69/14.4KV TRANSFORMER CKT 1	66	0.01197	101.5606	CLARENDON - CLARENDON REC 69KV CKT 1
15G	06ALL	0	FROM->TO	G15_031_230	SHAMROCK (SHAMRCK1) 115/69/14.4KV TRANSFORMER CKT 1	67.1	0.01216	101.4844	ELK CITY 230KV (ELKCTY-6) 230/138/13.8KV TRANSFORMER CKT 1
15G	06ALL	0	FROM->TO	G15_031_230	SHAMROCK (SHAMRCK1) 115/69/14.4KV TRANSFORMER CKT 1	67.1	0.01254	101.3771	CHISHOLM7 345.00 - GRACEMONT 345KV CKT 1
15G	06ALL	0	FROM->TO	G15_031_230	SHAMROCK (SHAMRCK1) 115/69/14.4KV TRANSFORMER CKT 1	66	0.01308	100.8909	G14-074T 345.00 - TUCO INTERCHANGE 345KV CKT 1
15G	06ALL	0	FROM->TO	G15_031_230	SHAMROCK (SHAMRCK1) 115/69/14.4KV TRANSFORMER CKT 1	66	0.01197	100.3485	CLARENDON REC - HEDLEY 69KV CKT 1
15G	06ALL	0	FROM->TO	G15_031_230	SHAMROCK (SHAMRCK1) 115/69/14.4KV TRANSFORMER CKT 1	66	0.0119	100.1061	DBL-G1114-WWRD
15G	06ALL	0	FROM->TO	G15_031_230	SHAMROCK (SHAMRCK1) 115/69/14.4KV TRANSFORMER CKT 1	67.1	0.01197	100.0447	CLARENDON - CLARENDON REC 69KV CKT 1
20SP	06ALL	0	TO->FROM	G15_031_230	SUNSHINE CANYON - TUTTLE 138KV CKT 1	141.6	0.02212	104.6977	CIMARRON - MINCO 345KV CKT 1
20WP	06ALL	0	TO->FROM	G15_031_230	SUNSHINE CANYON - TUTTLE 138KV CKT 1	141.6	0.02212	104.6977	CIMARRON - MINCO 345KV CKT 1
15SP	06ALL	0	TO->FROM	G15_031_230	SUNSHINE CANYON - TUTTLE 138KV CKT 1	141.6	0.02348	104.1398	CIMARRON - MINCO 345KV CKT 1
15WP	06ALL	0	TO->FROM	G15_031_230	SUNSHINE CANYON - TUTTLE 138KV CKT 1	141.6	0.02348	104.1398	CIMARRON - MINCO 345KV CKT 1
20SP	06ALL	0	TO->FROM	G15_031_230	SUNSHINE CANYON - TUTTLE 138KV CKT 1	141.6	0.02212	100.1073	GRACEMONT - MINCO 345KV CKT 1
20WP	06ALL	0	TO->FROM	G15_031_230	SUNSHINE CANYON - TUTTLE 138KV CKT 1	141.6	0.02212	100.1073	GRACEMONT - MINCO 345KV CKT 1
15SP	06ALL	0	FROM->TO	G15_031_230	THOMAS TAP - WEATHERFORD 69KV CKT 1	39	0.00792	114.2667	CLINTON JUNCTION - CLINTON NATURAL GAS TAP 138KV CKT 1
15WP	06ALL	0	FROM->TO	G15_031_230	THOMAS TAP - WEATHERFORD 69KV CKT 1	39	0.00792	114.2667	CLINTON JUNCTION - CLINTON NATURAL GAS TAP 138KV CKT 1
15G	06ALL	0	FROM->TO	G15_031_230	TUCO INTERCHANGE (GE M1022338) 345/230/13.2KV TRANSFORMER CKT 1	555.1	0.16469	102.3949	TUCO INTERCHANGE (SIEM 8743066) 345/230/13.2KV TRANSFORMER CKT 2
15G	06ALL	0	FROM->TO	G15_031_230	TUCO INTERCHANGE (GE M1022338) 345/230/13.2KV TRANSFORMER CKT 1	557.4	0.16469	101.9185	TUCO INTERCHANGE (SIEM 8743066) 345/230/13.2KV TRANSFORMER CKT 2
15G	06ALL	0	FROM->TO	G15_031_230	TUCO INTERCHANGE (GE M1022338) 345/230/13.2KV TRANSFORMER CKT 1	555.1	0.18774	100.0342	TUCO_2 345.00 (TUCO_2 XFMR) 345/230/13.2KV TRANSFORMER CKT 1
15G	06ALL	0	FROM->TO	G15_031_230	WICHITA (WICH TX-12) 345/138/13.8KV TRANSFORMER CKT 1	413.2	0.01227	106.6578	WICHITA (WICH TX-11) 345/138/13.8KV TRANSFORMER CKT 1
15G	06ALL	0	FROM->TO	G15_031_230	WICHITA (WICH TX-12) 345/138/13.8KV TRANSFORMER CKT 1	419.7	0.01227	104.8868	WICHITA (WICH TX-11) 345/138/13.8KV TRANSFORMER CKT 1
25SP	00NR	0	FROM->TO	G15_031_230	WOLFFORTH INTERCHANGE (WH 7001668) 230/115/13.2KV TRANSFORMER CKT 1	140.3	0.02028	100.7726	CARLISLE INTERCHANGE - LP-DOUD_TP 3115.00 115KV CKT 1
25SP	00NR	0	FROM->TO	G15_031_230	WOLFFORTH INTERCHANGE (WH 7001668) 230/115/13.2KV TRANSFORMER CKT 1	140.3	0.0072	100.5417	CARLISLE INTERCHANGE (CARLISLE_XF) 230/115/13.2KV TRANSFORMER CKT 1
20SP	06ALL	2	FROM->TO	G15_031_230	ANADARKO - CORN TAP 138KV CKT 1	142.8	0.01493	100.1961	CIMARRON - MINCO 345KV CKT 1
20WP	06ALL	2	FROM->TO	G15_031_230	ANADARKO - CORN TAP 138KV CKT 1	142.8	0.01493	100.1961	CIMARRON - MINCO 345KV CKT 1
15G	06ALL	2	TO->FROM	G15_031_230	ANADARKO - GRACMNT4 138.00 138KV CKT 1	225.1	0.05415	127.546	CIMARRON - MINCO 345KV CKT 1
15G	06ALL	2	TO->FROM	G15_031_230	ANADARKO - GRACMNT4 138.00 138KV CKT 1	225.1	0.05415	119.3274	GRACEMONT - MINCO 345KV CKT 1
15G	06ALL	2	TO->FROM	G15_031_230	ANADARKO - GRACMNT4 138.00 138KV CKT 1	225.1	0.03058	106.9374	SOUTHWESTERN STATION - WASHITA 138KV CKT 1
15SP	06ALL	2	FROM->TO	G15_031_230	BENTLEY4 138.00 - HALSTEAD SOUTH BUS 138KV CKT 1	142.2	0.00698	128.2686	RENO COUNTY - WICHITA 345KV CKT 1
15WP	06ALL	2	FROM->TO	G15_031_230	BENTLEY4 138.00 - HALSTEAD SOUTH BUS 138KV CKT 1	142.2	0.00698	108.2686	RENO COUNTY - WICHITA 345KV CKT 1
20SP	06ALL	2	FROM->TO	G15_031_230	CLEARWATER - GILL ENERGY CENTER WEST 138KV CKT 1	142.2	0.01389	102.4233	GILL ENERGY CENTER SOUTH - VIOLA 4 138.00 138KV CKT 1
20WP	06ALL	2	FROM->TO	G15_031_230	CLEARWATER - GILL ENERGY CENTER WEST 138KV CKT 1	142.2	0.01389	102.4233	GILL ENERGY CENTER SOUTH - VIOLA 4 138.00 138KV CKT 1
15SP	06ALL	2	TO->FROM	G15_031_230	CLINTON CITY - FOSS TAP 69KV CKT 1	74.5	0.00793	103.4497	CLINTON JUNCTION - CLINTON NATURAL GAS TAP 138KV CKT 1
15WP	06ALL	2	TO->FROM	G15_031_230	CLINTON CITY - FOSS TAP 69KV CKT 1	74.5	0.00793	103.4497	CLINTON JUNCTION - CLINTON NATURAL GAS TAP 138KV CKT 1
15SP	06ALL	2	FROM->TO	G15_031_230	CLINTON CITY - THOMAS TAP 69KV CKT 1	38.9	0.00793	125.6298	CLINTON JUNCTION - CLINTON NATURAL GAS TAP 138KV CKT 1
15WP	06ALL	2	FROM->TO	G15_031_230	CLINTON CITY - THOMAS TAP 69KV CKT 1	38.9	0.00793	125.6298	CLINTON JUNCTION - CLINTON NATURAL GAS TAP 138KV CKT 1
20SP	06ALL	2	FROM->TO	G15_031_230	CLINTON CITY - THOMAS TAP 69KV CKT 1	39	0.00757	102.959	CLINTON JUNCTION - CLINTON NATURAL GAS TAP 138KV CKT 1
20WP	06ALL	2	FROM->TO	G15_031_230	CLINTON CITY - THOMAS TAP 69KV CKT 1	39	0.00757	102.959	CLINTON JUNCTION - CLINTON NATURAL GAS TAP 138KV CKT 1
15G	06ALL	2	FROM->TO	G15_031_230	CLINTON CITY - THOMAS TAP 69KV CKT 1	47.9	0.00771	101.1232	CLINTON JUNCTION - CLINTON NATURAL GAS TAP 138KV CKT 1
15SP	06ALL	2	TO->FROM	G15_031_230	CLINTON JUNCTION - ELK CITY 138KV CKT 1	148.8	0.0426	140.6815	CHISHOLM7 345.00 - GRACEMONT 345KV CKT 1
15WP	06ALL	2	TO->FROM	G15_031_230	CLINTON JUNCTION - ELK CITY 138KV CKT 1	148.8	0.0426	140.6815	CHISHOLM7 345.00 - GRACEMONT 345KV CKT 1
15G	06ALL	2	TO->FROM	G15_031_230	CLINTON JUNCTION - ELK CITY 138KV CKT 1	185.1	0.04119	124.1361	CHISHOLM7 345.00 - GRACEMONT 345KV CKT 1
15SP	06ALL	2	TO->FROM	G15_031_230	CLINTON JUNCTION - ELK CITY 138KV CKT 1	148.8	0.03626	122.8078	G14-074T 345.00 - OKLAUNION 345KV CKT 1
15WP	06ALL	2	TO->FROM	G15_031_230	CLINTON JUNCTION - ELK CITY 138KV CKT 1	148.8	0.03626	122.8078	G14-074T 345.00 - OKLAUNION 345KV CKT 1
15SP	06ALL	2	TO->FROM	G15_031_230	CLINTON JUNCTION - ELK CITY 138KV CKT 1	148.8	0.02207	120.3723	ONEY - WASHITA 138KV CKT 1
15WP	06ALL	2	TO->FROM	G15_031_230	CLINTON JUNCTION - ELK CITY 138KV CKT 1	148.8	0.02207	120.3723	ONEY - WASHITA 138KV CKT 1
15SP	06ALL	2	TO->FROM	G15_031_230	CLINTON JUNCTION - ELK CITY 138KV CKT 1	148.8	0.03626	118.7755	G14-074T 345.00 - TUCO INTERCHANGE 345KV CKT 1
15WP	06ALL	2	TO->FROM	G15_031_230	CLINTON JUNCTION - ELK CITY 138KV CKT 1	148.8	0.03626	118.7755	G14-074T 345.00 - TUCO INTERCHANGE 345KV CKT 1
15SP	06ALL	2	TO->FROM	G15_031_230	CLINTON JUNCTION - ELK CITY 138KV CKT 1	148.8	0.03252	118.215	NORTHWEST - TATONGA7 345.00 345KV CKT 1
15WP	06ALL	2	TO->FROM	G15_031_230	CLINTON JUNCTION - ELK CITY 138KV CKT 1	148.8	0.03252	118.215	NORTHWEST - TATONGA7 345.00 345KV CKT 1
15SP	06ALL	2	TO->FROM	G15_031_230	CLINTON JUNCTION - ELK CITY 138KV CKT 1	148.8	0.02207	117.8185	BINGER NUJECT - ONEY 138KV CKT 1
15WP	06ALL	2	TO->FROM	G15_031_230	CLINTON JUNCTION - ELK CITY 138KV CKT 1	148.8	0.02207	117.8185	BINGER NUJECT - ONEY 138KV CKT 1
15SP	06ALL	2	TO->FROM	G15_031_230	CLINTON JUNCTION - ELK CITY 138KV CKT 1	148.8	0.03252	117.7446	SPSCont-05b
15WP	06ALL	2	TO->FROM	G15_031_230	CLINTON JUNCTION - ELK CITY 138KV CKT 1	148.8	0.03252	117.7446	SPSCont-05b
15SP	06ALL	2	TO->FROM	G15_031_230	CLINTON JUNCTION - ELK CITY 138KV CKT 1	148.8	0.03252	117.3414	SPSCont-04
15WP	06ALL	2	TO->FROM	G15_031_230	CLINTON JUNCTION - ELK CITY 138KV CKT 1	148.8	0.03252	117.3414	SPSCont-04
15SP	06ALL	2	TO->FROM	G15_031_230	CLINTON JUNCTION - ELK CITY 138KV CKT 1	148.8	0.03312	117.0927	DBL-THIS-WWRD
15WP	06ALL	2	TO->FROM	G15_031_230	CLINTON JUNCTION - ELK CITY 138KV CKT 1	148.8	0.03312	117.0927	DBL-THIS-WWRD
15SP	06ALL	2	TO->FROM	G15_031_230	CLINTON JUNCTION - ELK CITY 138KV CKT 1	132.4	0.02865	116.1979	BASE CASE
15WP	06ALL	2	TO->FROM	G15_031_230	CLINTON JUNCTION - ELK CITY 138KV CKT 1	132.4	0.02865	116.1979	BASE CASE
15SP	06ALL	2	TO->FROM	G15_031_230	CLINTON JUNCTION - ELK CITY 138KV CKT 1	148.8	0.0325	115.6492	CLINTON AIR FORCE BASE TAP - ELK CITY 138KV CKT 1
15WP	06ALL	2	TO->FROM	G15_031_230	CLINTON JUNCTION - ELK CITY 138KV CKT 1	148.8	0.0325	115.6492	CLINTON AIR FORCE BASE TAP - ELK CITY 138KV CKT 1
15SP	06ALL	2	TO->FROM	G15_031_230	CLINTON JUNCTION - ELK CITY 138KV CKT 1	148.8	0.03557	115.3952	CHISHOLM7 345.00 - WOODWARD DISTRICT EHV 345KV CKT 1
15WP	06ALL	2	TO->FROM	G15_031_230	CLINTON JUNCTION - ELK CITY 138KV CKT 1	148.8	0.03557	115.3952	CHISHOLM7 345.00 - WOODWARD DISTRICT EHV 345KV CKT 1
15SP	06ALL	2	TO->FROM	G15_031_230	CLINTON JUNCTION - ELK CITY 138KV CKT 1	148.8	0.0325	114.7755	CLINTON AIR FORCE BASE TAP - HOBART JUNCTION 138KV CKT 1
15WP	06ALL	2	TO->FROM	G15_031_230	CLINTON JUNCTION - ELK CITY 138KV CKT 1	148.8	0.0325	114.7755	CLINTON AIR FORCE BASE TAP - HOBART JUNCTION 138KV CKT 1

SEASON	GROUP	SCENARIO	DIRECTION	SOURCE	MONITORED ELEMENT	RATE	CONTINGENCY		
						(MVA)	TDF	LOADING %	CONTINGENCY
15SP	06ALL	2	TO->FROM	G15_031_230	CLINTON JUNCTION - ELK CITY 138KV CKT 1	148.8	0.02207	113.7191	BINGER NUJECT - SICKLES 138KV CKT 1
15WP	06ALL	2	TO->FROM	G15_031_230	CLINTON JUNCTION - ELK CITY 138KV CKT 1	148.8	0.02207	113.7191	BINGER NUJECT - SICKLES 138KV CKT 1
15SP	06ALL	2	TO->FROM	G15_031_230	CLINTON JUNCTION - ELK CITY 138KV CKT 1	148.8	0.03252	113.6451	G11_051T 345.00 - TATONGA7 345.00 345KV CKT 1
15WP	06ALL	2	TO->FROM	G15_031_230	CLINTON JUNCTION - ELK CITY 138KV CKT 1	148.8	0.03252	113.6451	G11_051T 345.00 - TATONGA7 345.00 345KV CKT 1
15SP	06ALL	2	TO->FROM	G15_031_230	CLINTON JUNCTION - ELK CITY 138KV CKT 1	148.8	0.02207	113.047	CLINTON JUNCTION - G07-32T 138.00 138KV CKT 1
15WP	06ALL	2	TO->FROM	G15_031_230	CLINTON JUNCTION - ELK CITY 138KV CKT 1	148.8	0.02207	113.047	CLINTON JUNCTION - G07-32T 138.00 138KV CKT 1
15SP	06ALL	2	TO->FROM	G15_031_230	CLINTON JUNCTION - ELK CITY 138KV CKT 1	148.8	0.02865	112.9341	G07-32 138.00 - G07-32T 138.00 138KV CKT 1
15SP	06ALL	2	TO->FROM	G15_031_230	CLINTON JUNCTION - ELK CITY 138KV CKT 1	148.8	0.02865	112.9341	G07-32 138.00 138/34.5KV TRANSFORMER CKT 1
15SP	06ALL	2	TO->FROM	G15_031_230	CLINTON JUNCTION - ELK CITY 138KV CKT 1	148.8	0.02865	112.9341	G07-32 34.500 34.5/12.0KV TRANSFORMER CKT 1
15WP	06ALL	2	TO->FROM	G15_031_230	CLINTON JUNCTION - ELK CITY 138KV CKT 1	148.8	0.02865	112.9341	G07-32 138.00 - G07-32T 138.00 138KV CKT 1
15WP	06ALL	2	TO->FROM	G15_031_230	CLINTON JUNCTION - ELK CITY 138KV CKT 1	148.8	0.02865	112.9341	G07-32 138.00 138/34.5KV TRANSFORMER CKT 1
15WP	06ALL	2	TO->FROM	G15_031_230	CLINTON JUNCTION - ELK CITY 138KV CKT 1	148.8	0.02865	112.9341	G07-32 34.500 34.5/12.0KV TRANSFORMER CKT 1
15SP	06ALL	2	TO->FROM	G15_031_230	CLINTON JUNCTION - ELK CITY 138KV CKT 1	148.8	0.02865	111.59	WASHITA - WEATHERFORD WIND FARM 34 KV 34.5KV CKT 1
15WP	06ALL	2	TO->FROM	G15_031_230	CLINTON JUNCTION - ELK CITY 138KV CKT 1	148.8	0.02865	111.59	WASHITA - WEATHERFORD WIND FARM 34 KV 34.5KV CKT 1
20SP	06ALL	2	TO->FROM	G15_031_230	CLINTON JUNCTION - ELK CITY 138KV CKT 1	151.1	0.04227	109.546	CHISHOLM7 345.00 - GRACEMONT 345KV CKT 1
20WP	06ALL	2	TO->FROM	G15_031_230	CLINTON JUNCTION - ELK CITY 138KV CKT 1	151.1	0.04227	109.546	CHISHOLM7 345.00 - GRACEMONT 345KV CKT 1
20SP	06ALL	2	TO->FROM	G15_031_230	CLINTON JUNCTION - ELK CITY 138KV CKT 1	151.1	0.02196	106.5136	ONEY - WASHITA 138KV CKT 1
20WP	06ALL	2	TO->FROM	G15_031_230	CLINTON JUNCTION - ELK CITY 138KV CKT 1	151.1	0.02196	106.5136	ONEY - WASHITA 138KV CKT 1
15G	06ALL	2	TO->FROM	G15_031_230	CLINTON JUNCTION - ELK CITY 138KV CKT 1	185.1	0.03496	105.7515	G14-074T 345.00 - OKLAUNION 345KV CKT 1
20SP	06ALL	2	TO->FROM	G15_031_230	CLINTON JUNCTION - ELK CITY 138KV CKT 1	151.1	0.02196	103.9325	BINGER NUJECT - ONEY 138KV CKT 1
20WP	06ALL	2	TO->FROM	G15_031_230	CLINTON JUNCTION - ELK CITY 138KV CKT 1	151.1	0.02196	103.9325	BINGER NUJECT - ONEY 138KV CKT 1
15G	06ALL	2	TO->FROM	G15_031_230	CLINTON JUNCTION - ELK CITY 138KV CKT 1	185.1	0.03496	102.6721	G14-074T 345.00 - TUCO INTERCHANGE 345KV CKT 1
15G	06ALL	2	TO->FROM	G15_031_230	CLINTON JUNCTION - ELK CITY 138KV CKT 1	185.1	0.03146	102.4614	NORTHWEST - TATONGA7 345.00 345KV CKT 1
15G	06ALL	2	TO->FROM	G15_031_230	CLINTON JUNCTION - ELK CITY 138KV CKT 1	185.1	0.03146	102.0832	SPSCont-05b
15G	06ALL	2	TO->FROM	G15_031_230	CLINTON JUNCTION - ELK CITY 138KV CKT 1	185.1	0.03146	101.759	SPSCont-04
15G	06ALL	2	TO->FROM	G15_031_230	CLINTON JUNCTION - ELK CITY 138KV CKT 1	185.1	0.0313	101.5894	CLINTON AIR FORCE BASE TAP - ELK CITY 138KV CKT 1
15G	06ALL	2	TO->FROM	G15_031_230	CLINTON JUNCTION - ELK CITY 138KV CKT 1	185.1	0.0313	100.9951	CLINTON AIR FORCE BASE TAP - HOBART JUNCTION 138KV CKT 1
15G	06ALL	2	TO->FROM	G15_031_230	CLINTON JUNCTION - ELK CITY 138KV CKT 1	185.1	0.03444	100.2766	CHISHOLM7 345.00 - WOODWARD DISTRICT EHV 345KV CKT 1
15G	06ALL	2	TO->FROM	G15_031_230	CLINTON JUNCTION - ELK CITY 138KV CKT 1	185.1	0.03192	100.1124	DBL-THIS-WWRD
15SP	06ALL	2	FROM->TO	G15_031_230	CLINTON JUNCTION - FOSS TAP 69KV CKT 1	74.7	0.00793	104.3775	CLINTON JUNCTION - CLINTON NATURAL GAS TAP 138KV CKT 1
15WP	06ALL	2	FROM->TO	G15_031_230	CLINTON JUNCTION - FOSS TAP 69KV CKT 1	74.7	0.00793	104.3775	CLINTON JUNCTION - CLINTON NATURAL GAS TAP 138KV CKT 1
15SP	06ALL	2	TO->FROM	G15_031_230	COMANCHE TAP - TOSCO 69KV CKT 1	39	0.00576	103.8359	G14-057T 345.00 - SUNNYSIDE 345KV CKT 1
15WP	06ALL	2	TO->FROM	G15_031_230	COMANCHE TAP - TOSCO 69KV CKT 1	39	0.00576	103.8359	G14-057T 345.00 - SUNNYSIDE 345KV CKT 1
15SP	06ALL	2	TO->FROM	G15_031_230	COMANCHE TAP - TOSCO 69KV CKT 1	39	0.00576	101.0154	G14-057T 345.00 - LAWTON EASTSIDE 345KV CKT 1
15WP	06ALL	2	TO->FROM	G15_031_230	COMANCHE TAP - TOSCO 69KV CKT 1	39	0.00576	101.0154	G14-057T 345.00 - LAWTON EASTSIDE 345KV CKT 1
15SP	06ALL	2	FROM->TO	G15_031_230	DUNCAN - TOSCO 69KV CKT 1	38.9	0.00576	108.2159	G14-057T 345.00 - SUNNYSIDE 345KV CKT 1
15WP	06ALL	2	FROM->TO	G15_031_230	DUNCAN - TOSCO 69KV CKT 1	38.9	0.00576	108.2159	G14-057T 345.00 - SUNNYSIDE 345KV CKT 1
15SP	06ALL	2	FROM->TO	G15_031_230	DUNCAN - TOSCO 69KV CKT 1	38.9	0.00576	105.3882	G14-057T 345.00 - LAWTON EASTSIDE 345KV CKT 1
15WP	06ALL	2	FROM->TO	G15_031_230	DUNCAN - TOSCO 69KV CKT 1	38.9	0.00576	105.3882	G14-057T 345.00 - LAWTON EASTSIDE 345KV CKT 1
15SP	06ALL	2	TO->FROM	G15_031_230	EARLSBORO 4138.00 - MAUD 138KV CKT 1	97.7	0.00726	106.0655	MAUD (MAUD1) 138/69/13.2KV TRANSFORMER CKT 1
15WP	06ALL	2	TO->FROM	G15_031_230	EARLSBORO 4138.00 - MAUD 138KV CKT 1	97.7	0.00726	106.0655	MAUD (MAUD1) 138/69/13.2KV TRANSFORMER CKT 1
15SP	06ALL	2	TO->FROM	G15_031_230	EARLSBORO 4138.00 - MAUD 138KV CKT 1	97.7	0.00706	100.9273	CANADIAN RIVER - MCALESTER SOUTH 138KV CKT 1
15SP	06ALL	2	TO->FROM	G15_031_230	EARLSBORO 4138.00 - MAUD 138KV CKT 1	97.7	0.00697	100.9273	SPP-SWPS-T54
15WP	06ALL	2	TO->FROM	G15_031_230	EARLSBORO 4138.00 - MAUD 138KV CKT 1	97.7	0.00706	100.9273	CANADIAN RIVER - MCALESTER SOUTH 138KV CKT 1
15WP	06ALL	2	TO->FROM	G15_031_230	EARLSBORO 4138.00 - MAUD 138KV CKT 1	97.7	0.00697	100.9273	SPP-SWPS-T54
25SP	06ALL	2	FROM->TO	G15_031_230	EDDY_NORTH 6230.00 (WAUK W01134) 230/115/13.2KV TRANSFORMER CKT 2	285	0.00501	104.5432	EDDY COUNTY INTERCHANGE - EDDY_NORTH 6230.00 230KV CKT @1
25SP	06ALL	2	FROM->TO	G15_031_230	EDDY_NORTH 6230.00 (WAUK W01134) 230/115/13.2KV TRANSFORMER CKT 2	286.3	0.00501	103.9986	EDDY COUNTY INTERCHANGE - EDDY_NORTH 6230.00 230KV CKT @1
15G	06ALL	2	FROM->TO	G15_031_230	ELDORADO - ELDORADO JCT 69KV CKT 1	26.9	0.00823	102	LAKE PAULINE - RUSSELL 138KV CKT 1
15G	06ALL	2	FROM->TO	G15_031_230	ELK CITY 230KV (ELKCTY-6) 230/138/13.8KV TRANSFORMER CKT 1	446.9	0.09592	117.1399	CHISHOLM7 345.00 - GRACEMONT 345KV CKT 1
15SP	06ALL	2	FROM->TO	G15_031_230	ELK CITY 230KV (ELKCTY-6) 230/138/13.8KV TRANSFORMER CKT 1	446.4	0.10148	117.1331	CHISHOLM7 345.00 - GRACEMONT 345KV CKT 1
15WP	06ALL	2	FROM->TO	G15_031_230	ELK CITY 230KV (ELKCTY-6) 230/138/13.8KV TRANSFORMER CKT 1	446.4	0.10148	117.1331	CHISHOLM7 345.00 - GRACEMONT 345KV CKT 1
15G	06ALL	2	FROM->TO	G15_031_230	ELK CITY 230KV (ELKCTY-6) 230/138/13.8KV TRANSFORMER CKT 1	449.3	0.09592	116.6032	CHISHOLM7 345.00 - GRACEMONT 345KV CKT 1
15SP	06ALL	2	FROM->TO	G15_031_230	ELK CITY 230KV (ELKCTY-6) 230/138/13.8KV TRANSFORMER CKT 1	449.3	0.10148	116.4661	CHISHOLM7 345.00 - GRACEMONT 345KV CKT 1
15WP	06ALL	2	FROM->TO	G15_031_230	ELK CITY 230KV (ELKCTY-6) 230/138/13.8KV TRANSFORMER CKT 1	449.3	0.10148	116.4661	CHISHOLM7 345.00 - GRACEMONT 345KV CKT 1
15SP	06ALL	2	FROM->TO	G15_031_230	ELK CITY 230KV (ELKCTY-6) 230/138/13.8KV TRANSFORMER CKT 1	446.4	0.0872	103.6102	G14-074T 345.00 - OKLAUNION 345KV CKT 1
15WP	06ALL	2	FROM->TO	G15_031_230	ELK CITY 230KV (ELKCTY-6) 230/138/13.8KV TRANSFORMER CKT 1	446.4	0.0872	103.6102	G14-074T 345.00 - OKLAUNION 345KV CKT 1
15SP	06ALL	2	FROM->TO	G15_031_230	ELK CITY 230KV (ELKCTY-6) 230/138/13.8KV TRANSFORMER CKT 1	449.3	0.0872	103.0527	G14-074T 345.00 - OKLAUNION 345KV CKT 1
15WP	06ALL	2	FROM->TO	G15_031_230	ELK CITY 230KV (ELKCTY-6) 230/138/13.8KV TRANSFORMER CKT 1	449.3	0.0872	103.0527	G14-074T 345.00 - OKLAUNION 345KV CKT 1
15SP	06ALL	2	FROM->TO	G15_031_230	ELK CITY 230KV (ELKCTY-6) 230/138/13.8KV TRANSFORMER CKT 1	446.4	0.09325	101.828	CHISHOLM7 345.00 - WOODWARD DISTRICT EHV 345KV CKT 1
15WP	06ALL	2	FROM->TO	G15_031_230	ELK CITY 230KV (ELKCTY-6) 230/138/13.8KV TRANSFORMER CKT 1	446.4	0.09325	101.828	CHISHOLM7 345.00 - WOODWARD DISTRICT EHV 345KV CKT 1
15SP	06ALL	2	FROM->TO	G15_031_230	ELK CITY 230KV (ELKCTY-6) 230/138/13.8KV TRANSFORMER CKT 1	449.3	0.09325	101.282	CHISHOLM7 345.00 - WOODWARD DISTRICT EHV 345KV CKT 1
15WP	06ALL	2	FROM->TO	G15_031_230	ELK CITY 230KV (ELKCTY-6) 230/138/13.8KV TRANSFORMER CKT 1	449.3	0.09325	101.282	CHISHOLM7 345.00 - WOODWARD DISTRICT EHV 345KV CKT 1
15SP	06ALL	2	FROM->TO	G15_031_230	ELK CITY 230KV (ELKCTY-6) 230/138/13.8KV TRANSFORMER CKT 1	446.4	0.0872	100.1604	G14-074T 345.00 - TUCO INTERCHANGE 345KV CKT 1
15WP	06ALL	2	FROM->TO	G15_031_230	ELK CITY 230KV (ELKCTY-6) 230/138/13.8KV TRANSFORMER CKT 1	446.4	0.0872	100.1604	G14-074T 345.00 - TUCO INTERCHANGE 345KV CKT 1
15G	06ALL	2	FROM->TO	G15_031_230	FPL SWITCH - MOORELAND 138KV CKT 1	284.1	0.04537	119.1496	DBL-THIS-WWRD

SEASON	GROUP	SCENARIO	DIRECTION	SOURCE	MONITORED ELEMENT	RATE (MVA)	CONTINGENCY		
							TDF	LOADING %	CONTINGENCY
15G	06ALL		2 FROM->TO	G15_031_230	FPL SWITCH - MOORELAND 138KV CKT 1	284.1	0.0369	111.7149	NORTHWEST - TATONGA7 345.00 345KV CKT 1
15G	06ALL		2 FROM->TO	G15_031_230	FPL SWITCH - MOORELAND 138KV CKT 1	284.1	0.0369	110.1661	SPSCont-04
15G	06ALL		2 FROM->TO	G15_031_230	FPL SWITCH - MOORELAND 138KV CKT 1	284.1	0.0369	109.9197	SPSCont-05b
15G	06ALL		2 FROM->TO	G15_031_230	FPL SWITCH - MOORELAND 138KV CKT 1	284.1	0.0367	108.4132	CHISHOLM6 230.00 - ELK CITY 230KV 230KV CKT 1
15G	06ALL		2 FROM->TO	G15_031_230	FPL SWITCH - MOORELAND 138KV CKT 1	284.1	0.0367	108.4132	ELK CITY 230KV (ELKCTY-6) 230/138/13.8KV TRANSFORMER CKT 1
15G	06ALL		2 FROM->TO	G15_031_230	FPL SWITCH - MOORELAND 138KV CKT 1	284.1	0.0369	104.7103	G11_051T 345.00 - TATONGA7 345.00 345KV CKT 1
15G	06ALL		2 FROM->TO	G15_031_230	FPL SWITCH - MOORELAND 138KV CKT 1	284.1	0.0369	103.9359	G11_051T 345.00 - WOODWARD DISTRICT EHV 345KV CKT 1
15G	06ALL		2 FROM->TO	G15_031_230	FPL SWITCH - MOORELAND 138KV CKT 1	284.1	0.0369	102.2464	SPSCont-05ax
15G	06ALL		2 FROM->TO	G15_031_230	FPL SWITCH - MOORELAND 138KV CKT 1	284.1	0.02813	102.0605	WOODWARD (WOODWRD2) 138/69/13.2KV TRANSFORMER CKT 1
15G	06ALL		2 TO->FROM	G15_031_230	FPL SWITCH - WOODWARD 138KV CKT 1	285.2	0.04537	112.3436	DBL-THIS-WWRD
15G	06ALL		2 TO->FROM	G15_031_230	FPL SWITCH - WOODWARD 138KV CKT 1	285.2	0.0369	104.9376	NORTHWEST - TATONGA7 345.00 345KV CKT 1
15G	06ALL		2 TO->FROM	G15_031_230	FPL SWITCH - WOODWARD 138KV CKT 1	285.2	0.0369	103.3948	SPSCont-04
15G	06ALL		2 TO->FROM	G15_031_230	FPL SWITCH - WOODWARD 138KV CKT 1	285.2	0.0369	103.1494	SPSCont-05b
15G	06ALL		2 TO->FROM	G15_031_230	FPL SWITCH - WOODWARD 138KV CKT 1	285.2	0.0367	101.6487	CHISHOLM6 230.00 - ELK CITY 230KV 230KV CKT 1
15G	06ALL		2 TO->FROM	G15_031_230	FPL SWITCH - WOODWARD 138KV CKT 1	285.2	0.0367	101.6136	ELK CITY 230KV (ELKCTY-6) 230/138/13.8KV TRANSFORMER CKT 1
15SP	06ALL		2 TO->FROM	G15_031_230	GLASS MOUNTAIN - MOORELAND 138KV CKT 1	122.3	0.02058	109.2608	DBL-THIS-WWRD
15WP	06ALL		2 TO->FROM	G15_031_230	GLASS MOUNTAIN - MOORELAND 138KV CKT 1	122.3	0.02058	109.2608	DBL-THIS-WWRD
15SP	06ALL		2 TO->FROM	G15_031_230	GLASS MOUNTAIN - MOORELAND 138KV CKT 1	122.3	0.01581	100.5429	MOORELAND - NOEL_SW 138.00 138KV CKT 1
15WP	06ALL		2 TO->FROM	G15_031_230	GLASS MOUNTAIN - MOORELAND 138KV CKT 1	122.3	0.01581	100.5429	MOORELAND - NOEL_SW 138.00 138KV CKT 1
15G	06ALL		2 TO->FROM	G15_031_230	GRAPEVINE INTERCHANGE - NICHOLS STATION 230KV CKT 1	350	0.07137	100.188	GRAPEVINE 345.00 - POTTER COUNTY INTERCHANGE 345KV CKT 1
15G	06ALL		2 TO->FROM	G15_031_230	GRAPEVINE INTERCHANGE - NICHOLS STATION 230KV CKT 1	350	0.06842	100.16	DBL-G1114-WWRD
15G	06ALL		2 FROM->TO	G15_031_230	Harrington Station East Bus - POTTER COUNTY INTERCHANGE 230KV CKT 1	347	0.06333	121.2144	CHERRY1 - HARRINGTON STATION 230KV CKT 1
15G	06ALL		2 FROM->TO	G15_031_230	Harrington Station East Bus - POTTER COUNTY INTERCHANGE 230KV CKT 1	347	0.07233	119.7597	CHERRY1 - POTTER COUNTY INTERCHANGE 230KV CKT 1
15G	06ALL		2 TO->FROM	G15_031_230	HAYS PLANT - SOUTH HAYS 115KV CKT 1	98.9	0.00599	115.5005	KNOLL 230 - POSTROCK6 230.00 230KV CKT 1
15SP	06ALL		2 FROM->TO	G15_031_230	HAYS PLANT - VINE STREET 115KV CKT 1	88	0.00574	116.9091	KNOLL 230 - POSTROCK6 230.00 230KV CKT 1
15WP	06ALL		2 FROM->TO	G15_031_230	HAYS PLANT - VINE STREET 115KV CKT 1	88	0.00574	116.9091	KNOLL 230 - POSTROCK6 230.00 230KV CKT 1
15G	06ALL		2 FROM->TO	G15_031_230	HAYS PLANT - VINE STREET 115KV CKT 1	87.9	0.00599	105.9499	KNOLL 230 - POSTROCK6 230.00 230KV CKT 1
15SP	06ALL		2 FROM->TO	G15_031_230	JERICHO (JERIC2WT) 115/69/14.4KV TRANSFORMER CKT 1	45.6	0.00661	107.4035	KIRBY SWITCHING STATION - MCCLELLAN SUB 115KV CKT 1
15WP	06ALL		2 FROM->TO	G15_031_230	JERICHO (JERIC2WT) 115/69/14.4KV TRANSFORMER CKT 1	45.6	0.00661	107.4035	KIRBY SWITCHING STATION - MCCLELLAN SUB 115KV CKT 1
15SP	06ALL		2 FROM->TO	G15_031_230	JERICHO (JERIC2WT) 115/69/14.4KV TRANSFORMER CKT 1	45.9	0.00661	106.7015	KIRBY SWITCHING STATION - MCCLELLAN SUB 115KV CKT 1
15WP	06ALL		2 FROM->TO	G15_031_230	JERICHO (JERIC2WT) 115/69/14.4KV TRANSFORMER CKT 1	45.9	0.00661	106.7015	KIRBY SWITCHING STATION - MCCLELLAN SUB 115KV CKT 1
15SP	06ALL		2 FROM->TO	G15_031_230	JERICHO (JERIC2WT) 115/69/14.4KV TRANSFORMER CKT 1	45.6	0.00661	105.8684	MCCLELLAN SUB - MCLEAN RURAL SUB 115KV CKT 1
15WP	06ALL		2 FROM->TO	G15_031_230	JERICHO (JERIC2WT) 115/69/14.4KV TRANSFORMER CKT 1	45.6	0.00661	105.8684	MCCLELLAN SUB - MCLEAN RURAL SUB 115KV CKT 1
15SP	06ALL		2 FROM->TO	G15_031_230	JERICHO (JERIC2WT) 115/69/14.4KV TRANSFORMER CKT 1	45.9	0.00661	105.1765	MCCLELLAN SUB - MCLEAN RURAL SUB 115KV CKT 1
15WP	06ALL		2 FROM->TO	G15_031_230	JERICHO (JERIC2WT) 115/69/14.4KV TRANSFORMER CKT 1	45.9	0.00661	105.1765	MCCLELLAN SUB - MCLEAN RURAL SUB 115KV CKT 1
15G	06ALL		2 FROM->TO	G15_031_230	JERICHO (JERIC2WT) 115/69/14.4KV TRANSFORMER CKT 1	45.7	0.00667	102.4989	KIRBY SWITCHING STATION - MCCLELLAN SUB 115KV CKT 1
15SP	06ALL		2 FROM->TO	G15_031_230	JERICHO (JERIC2WT) 115/69/14.4KV TRANSFORMER CKT 1	45.6	0.00661	102.3596	SPP-SWPS-T54
15WP	06ALL		2 FROM->TO	G15_031_230	JERICHO (JERIC2WT) 115/69/14.4KV TRANSFORMER CKT 1	45.6	0.00661	102.3596	SPP-SWPS-T54
15G	06ALL		2 FROM->TO	G15_031_230	JERICHO (JERIC2WT) 115/69/14.4KV TRANSFORMER CKT 1	45.9	0.00667	102.0523	KIRBY SWITCHING STATION - MCCLELLAN SUB 115KV CKT 1
15SP	06ALL		2 FROM->TO	G15_031_230	JERICHO (JERIC2WT) 115/69/14.4KV TRANSFORMER CKT 1	45.9	0.00661	101.6906	SPP-SWPS-T54
15WP	06ALL		2 FROM->TO	G15_031_230	JERICHO (JERIC2WT) 115/69/14.4KV TRANSFORMER CKT 1	45.9	0.00661	101.6906	SPP-SWPS-T54
15G	06ALL		2 FROM->TO	G15_031_230	JERICHO (JERIC2WT) 115/69/14.4KV TRANSFORMER CKT 1	45.7	0.00667	101.186	MCCLELLAN SUB - MCLEAN RURAL SUB 115KV CKT 1
15SP	06ALL		2 FROM->TO	G15_031_230	JERICHO (JERIC2WT) 115/69/14.4KV TRANSFORMER CKT 1	45.6	0.00661	100.8246	MCLEAN RURAL SUB - SHAMROCK 115KV CKT 1
15WP	06ALL		2 FROM->TO	G15_031_230	JERICHO (JERIC2WT) 115/69/14.4KV TRANSFORMER CKT 1	45.6	0.00661	100.8246	SHAMROCK (SHAMRCK1) 115/69/14.4KV TRANSFORMER CKT 1
15WP	06ALL		2 FROM->TO	G15_031_230	JERICHO (JERIC2WT) 115/69/14.4KV TRANSFORMER CKT 1	45.6	0.00661	100.8246	MCLEAN RURAL SUB - SHAMROCK 115KV CKT 1
15WP	06ALL		2 FROM->TO	G15_031_230	JERICHO (JERIC2WT) 115/69/14.4KV TRANSFORMER CKT 1	45.6	0.00661	100.8246	SHAMROCK (SHAMRCK1) 115/69/14.4KV TRANSFORMER CKT 1
15G	06ALL		2 FROM->TO	G15_031_230	JERICHO (JERIC2WT) 115/69/14.4KV TRANSFORMER CKT 1	45.9	0.00667	100.7451	MCCLELLAN SUB - MCLEAN RURAL SUB 115KV CKT 1
15SP	06ALL		2 FROM->TO	G15_031_230	JERICHO (JERIC2WT) 115/69/14.4KV TRANSFORMER CKT 1	45.9	0.00661	100.1656	MCLEAN RURAL SUB - SHAMROCK 115KV CKT 1
15SP	06ALL		2 FROM->TO	G15_031_230	JERICHO (JERIC2WT) 115/69/14.4KV TRANSFORMER CKT 1	45.9	0.00661	100.1656	SHAMROCK (SHAMRCK1) 115/69/14.4KV TRANSFORMER CKT 1
15WP	06ALL		2 FROM->TO	G15_031_230	JERICHO (JERIC2WT) 115/69/14.4KV TRANSFORMER CKT 1	45.9	0.00661	100.1656	MCLEAN RURAL SUB - SHAMROCK 115KV CKT 1
15WP	06ALL		2 FROM->TO	G15_031_230	JERICHO (JERIC2WT) 115/69/14.4KV TRANSFORMER CKT 1	45.9	0.00661	100.1656	SHAMROCK (SHAMRCK1) 115/69/14.4KV TRANSFORMER CKT 1
25SP	00NR		2 TO->FROM	G15_031_230	LUBBOCK POWER & LIGHT-CO-OP - LUBBOCK POWER & LIGHT-SLATON 69KV CKT 1	53.5	0.00696	154.3701	LUBBOCK POWER & LIGHT-CO-OP - LUBBOCK POWER & LIGHT-WADSWORTH 69KV CKT 1
20SP	00NR		2 TO->FROM	G15_031_230	LUBBOCK POWER & LIGHT-CO-OP - LUBBOCK POWER & LIGHT-SLATON 69KV CKT 1	53.6	0.00972	138.2761	LUBBOCK POWER & LIGHT-CO-OP - LUBBOCK POWER & LIGHT-WADSWORTH 69KV CKT 1
15SP	00NR		2 TO->FROM	G15_031_230	LUBBOCK POWER & LIGHT-CO-OP - LUBBOCK POWER & LIGHT-SLATON 69KV CKT 1	53.9	0.00934	115.2171	LUBBOCK POWER & LIGHT-CO-OP - LUBBOCK POWER & LIGHT-WADSWORTH 69KV CKT 1
20WP	00NR		2 TO->FROM	G15_031_230	LUBBOCK POWER & LIGHT-CO-OP - LUBBOCK POWER & LIGHT-SLATON 69KV CKT 1	53.9	0.01591	105.3302	LUBBOCK POWER & LIGHT-CO-OP - LUBBOCK POWER & LIGHT-WADSWORTH 69KV CKT 1
25SP	00NR		2 TO->FROM	G15_031_230	LUBBOCK POWER & LIGHT-CO-OP - LUBBOCK POWER & LIGHT-WADSWORTH 69KV CKT 1	105.6	0.00687	126.857	BASE CASE
25SP	00NR		2 TO->FROM	G15_031_230	LUBBOCK POWER & LIGHT-CO-OP - LUBBOCK POWER & LIGHT-WADSWORTH 69KV CKT 1	141.2	0.00836	125.4306	LUBBOCK POWER & LIGHT-SLATON - LUBBOCK POWER & LIGHT-SOUTHEAST 69KV CKT 1
25SP	00NR		2 TO->FROM	G15_031_230	LUBBOCK POWER & LIGHT-CO-OP - LUBBOCK POWER & LIGHT-WADSWORTH 69KV CKT 1	141.2	0.00915	115.9667	LUBBOCK POWER & LIGHT-SOUTHEAST - LUBBOCK SOUTH INTERCHANGE 230KV CKT 1
25SP	00NR		2 TO->FROM	G15_031_230	LUBBOCK POWER & LIGHT-CO-OP - LUBBOCK POWER & LIGHT-WADSWORTH 69KV CKT 1	141.2	0.00865	114.2316	LUBBOCK POWER & LIGHT-HOLLY GEN - LUBBOCK POWER & LIGHT-NORTHEAST 69KV CKT 1

SEASON	GROUP	SCENARIO	DIRECTION	SOURCE	MONITORED ELEMENT	RATE		CONTINGENCY		CONTINGENCY
						(MVA)	TDF	LOADING %		
20SP	00NR		2	TO->FROM	G15_031_230	LUBBOCK POWER & LIGHT-CO-OP - LUBBOCK POWER & LIGHT-WADSWORTH 69KV CKT 1	108	0.00953	113.5732	BASE CASE
20SP	00NR		2	TO->FROM	G15_031_230	LUBBOCK POWER & LIGHT-CO-OP - LUBBOCK POWER & LIGHT-WADSWORTH 69KV CKT 1	143	0.01152	113.3259	LUBBOCK POWER & LIGHT-SLATON - LUBBOCK POWER & LIGHT-SOUTHEAST 69KV CKT 1
25SP	00NR		2	TO->FROM	G15_031_230	LUBBOCK POWER & LIGHT-CO-OP - LUBBOCK POWER & LIGHT-WADSWORTH 69KV CKT 1	141.2	0.009	111.0482	CARLISLE INTERCHANGE - LUBBOCK POWER & LIGHT-MILWAUKEE 230KV CKT 1
25SP	00NR		2	TO->FROM	G15_031_230	LUBBOCK POWER & LIGHT-CO-OP - LUBBOCK POWER & LIGHT-WADSWORTH 69KV CKT 1	141.2	0.009	110.9773	LUBBOCK POWER & LIGHT-MILWAUKEE (M-E C0681251) 230/69/13.5KV TRANSFORMER CKT 1
25SP	00NR		2	TO->FROM	G15_031_230	LUBBOCK POWER & LIGHT-CO-OP - LUBBOCK POWER & LIGHT-WADSWORTH 69KV CKT 1	141.2	0.009	110.9773	SPP-SWPS-K39
15SP	00NR		2	TO->FROM	G15_031_230	LUBBOCK POWER & LIGHT-CO-OP - LUBBOCK POWER & LIGHT-WADSWORTH 69KV CKT 1	108	0.01017	109.5843	BASE CASE
25SP	00NR		2	TO->FROM	G15_031_230	LUBBOCK POWER & LIGHT-CO-OP - LUBBOCK POWER & LIGHT-WADSWORTH 69KV CKT 1	141.2	0.00712	108.7365	LUBBOCK POWER & LIGHT-OLIVER - LUBBOCK POWER & LIGHT-SOUTHEAST 69KV CKT 1
15SP	00NR		2	TO->FROM	G15_031_230	LUBBOCK POWER & LIGHT-CO-OP - LUBBOCK POWER & LIGHT-WADSWORTH 69KV CKT 1	143	0.01165	104.472	LUBBOCK POWER & LIGHT-SLATON - LUBBOCK POWER & LIGHT-SOUTHEAST 69KV CKT 1
25SP	00NR		2	TO->FROM	G15_031_230	LUBBOCK POWER & LIGHT-CO-OP - LUBBOCK POWER & LIGHT-WADSWORTH 69KV CKT 1	141.2	0.00865	103.3959	LUBBOCK POWER & LIGHT-MACKENZIE GEN - LUBBOCK POWER & LIGHT-NORTHEAST 69KV CKT 1
20SP	00NR		2	TO->FROM	G15_031_230	LUBBOCK POWER & LIGHT-CO-OP - LUBBOCK POWER & LIGHT-WADSWORTH 69KV CKT 1	143	0.01184	103.3231	LUBBOCK POWER & LIGHT-HOLLY GEN - LUBBOCK POWER & LIGHT-NORTHEAST 69KV CKT 1
20SP	00NR		2	TO->FROM	G15_031_230	LUBBOCK POWER & LIGHT-CO-OP - LUBBOCK POWER & LIGHT-WADSWORTH 69KV CKT 1	143	0.01322	103.2629	LUBBOCK POWER & LIGHT-SOUTHEAST - LUBBOCK SOUTH INTERCHANGE 230KV CKT 1
25SP	00NR		2	TO->FROM	G15_031_230	LUBBOCK POWER & LIGHT-CO-OP - LUBBOCK POWER & LIGHT-WADSWORTH 69KV CKT 1	141.2	0.00772	102.7734	LUBBOCK POWER & LIGHT-SOUTHEAST (ABB 60258) 230/69/13.5KV TRANSFORMER CKT 1
25SP	00NR		2	TO->FROM	G15_031_230	LUBBOCK POWER & LIGHT-CO-OP - LUBBOCK POWER & LIGHT-WADSWORTH 69KV CKT 1	141.2	0.00767	102.267	LUBBOCK POWER & LIGHT-SOUTHEAST (FRM WADSWRTH) 230/69/13.5KV TRANSFORMER CKT 2
25SP	00NR		2	TO->FROM	G15_031_230	LUBBOCK POWER & LIGHT-CO-OP - LUBBOCK POWER & LIGHT-WADSWORTH 69KV CKT 1	141.2	0.00718	101.5255	LUBBOCK POWER & LIGHT-CHALKER - LUBBOCK POWER & LIGHT-THOMPSON 69KV CKT 1
25SP	00NR		2	TO->FROM	G15_031_230	LUBBOCK POWER & LIGHT-CO-OP - LUBBOCK POWER & LIGHT-WADSWORTH 69KV CKT 1	141.2	0.00628	100.8385	LUBBOCK POWER & LIGHT-HOLLY GEN - LUBBOCK POWER & LIGHT-SOUTHEAST 69KV CKT 1
25SP	00NR		2	TO->FROM	G15_031_230	LUBBOCK POWER & LIGHT-CO-OP - LUBBOCK POWER & LIGHT-WADSWORTH 69KV CKT 1	141.2	0.00712	100.4504	LUBBOCK POWER & LIGHT-CHALKER - LUBBOCK POWER & LIGHT-OLIVER 69KV CKT 1
25SP	00NR		2	TO->FROM	G15_031_230	LUBBOCK POWER & LIGHT-SLATON - LUBBOCK POWER & LIGHT-SOUTHEAST 69KV CKT 1	143	0.00712	121.1441	LUBBOCK POWER & LIGHT-CO-OP - LUBBOCK POWER & LIGHT-WADSWORTH 69KV CKT 1
20SP	00NR		2	TO->FROM	G15_031_230	LUBBOCK POWER & LIGHT-SLATON - LUBBOCK POWER & LIGHT-SOUTHEAST 69KV CKT 1	142.8	0.0097	110.7913	LUBBOCK POWER & LIGHT-CO-OP - LUBBOCK POWER & LIGHT-WADSWORTH 69KV CKT 1
20SP	00NR		2	TO->FROM	G15_031_230	LUBBOCK POWER & LIGHT-SLATON - LUBBOCK POWER & LIGHT-SOUTHEAST 69KV CKT 1	142.8	0.00584	109	LUBBOCK POWER & LIGHT-OLIVER - LUBBOCK POWER & LIGHT-SOUTHEAST 69KV CKT 1
15G	06ALL		2	TO->FROM	G15_031_230	MANHATTAN TAP - RANDALL COUNTY INTERCHANGE 115KV CKT 1	159.4	0.04597	117	OSAGE SWITCHING STATION - RANDALL COUNTY INTERCHANGE 115KV CKT 1
20SP	06ALL		2	TO->FROM	G15_031_230	NORGE ROAD - SOUTHWESTERN STATION 138KV CKT 1	135.7	0.01122	110.7472	SOUTHWESTERN STATION - VERDEN 138KV CKT 1
20WP	06ALL		2	TO->FROM	G15_031_230	NORGE ROAD - SOUTHWESTERN STATION 138KV CKT 1	135.7	0.01122	110.7472	SOUTHWESTERN STATION - VERDEN 138KV CKT 1
20SP	06ALL		2	TO->FROM	G15_031_230	NORGE ROAD - SOUTHWESTERN STATION 138KV CKT 1	135.7	0.01122	109.2734	NORTH 29TH CHICKASHA - VERDEN 138KV CKT 1
20WP	06ALL		2	TO->FROM	G15_031_230	NORGE ROAD - SOUTHWESTERN STATION 138KV CKT 1	135.7	0.01122	109.2734	NORTH 29TH CHICKASHA - VERDEN 138KV CKT 1
20SP	06ALL		2	TO->FROM	G15_031_230	NORGE ROAD - SOUTHWESTERN STATION 138KV CKT 1	135.7	0.01607	106.3714	CIMARRON - MINCO 345KV CKT 1
20WP	06ALL		2	TO->FROM	G15_031_230	NORGE ROAD - SOUTHWESTERN STATION 138KV CKT 1	135.7	0.01607	106.3714	CIMARRON - MINCO 345KV CKT 1
20SP	06ALL		2	TO->FROM	G15_031_230	NORGE ROAD - SOUTHWESTERN STATION 138KV CKT 1	135.7	0.01122	106.1783	CORNVILLE - NORTH 29TH CHICKASHA 138KV CKT 1
20WP	06ALL		2	TO->FROM	G15_031_230	NORGE ROAD - SOUTHWESTERN STATION 138KV CKT 1	135.7	0.01122	106.1783	CORNVILLE - NORTH 29TH CHICKASHA 138KV CKT 1
20SP	06ALL		2	TO->FROM	G15_031_230	NORGE ROAD - SOUTHWESTERN STATION 138KV CKT 1	135.7	0.01039	104.1253	ANADARKO - CORN TAP 138KV CKT 1
20WP	06ALL		2	TO->FROM	G15_031_230	NORGE ROAD - SOUTHWESTERN STATION 138KV CKT 1	135.7	0.01039	104.1253	ANADARKO - CORN TAP 138KV CKT 1
20SP	06ALL		2	TO->FROM	G15_031_230	NORGE ROAD - SOUTHWESTERN STATION 138KV CKT 1	135.7	0.01607	102.8342	GRACEMONT - MINCO 345KV CKT 1
20WP	06ALL		2	TO->FROM	G15_031_230	NORGE ROAD - SOUTHWESTERN STATION 138KV CKT 1	135.7	0.01607	102.8342	GRACEMONT - MINCO 345KV CKT 1
25SP	06ALL		2	TO->FROM	G15_031_230	NORGE ROAD - SOUTHWESTERN STATION 138KV CKT 1	135.8	0.01079	100.0884	SOUTHWESTERN STATION - VERDEN 138KV CKT 1
15G	06ALL		2	TO->FROM	G15_031_230	OSAGE SWITCHING STATION - RANDALL COUNTY INTERCHANGE 115KV CKT 1	159.5	0.0447	115.3078	MANHATTAN TAP - RANDALL COUNTY INTERCHANGE 115KV CKT 1
15G	06ALL		2	TO->FROM	G15_031_230	OSAGE SWITCHING STATION - RANDALL COUNTY INTERCHANGE 115KV CKT 1	159.5	0.04005	110.6558	SPP-SWPS-V04
15SP	06ALL		2	FROM->TO	G15_031_230	PRINGLE INTERCHANGE - SPEARMAN INTERCHANGE 115KV CKT 1	159.7	0.0368	104.9242	PRINGLE INTERCHANGE - SPEARMAN INTERCHANGE 115KV CKT 2
15WP	06ALL		2	FROM->TO	G15_031_230	PRINGLE INTERCHANGE - SPEARMAN INTERCHANGE 115KV CKT 1	159.7	0.0368	104.9242	PRINGLE INTERCHANGE - SPEARMAN INTERCHANGE 115KV CKT 2
15G	06ALL		2	FROM->TO	G15_031_230	PRINGLE INTERCHANGE - SPEARMAN INTERCHANGE 115KV CKT 1	158.4	0.03551	103.827	PRINGLE INTERCHANGE - SPEARMAN INTERCHANGE 115KV CKT 2
15G	06ALL		2	FROM->TO	G15_031_230	SHAMROCK (SHAMRCK1) 115/69/14.4KV TRANSFORMER CKT 1	66	0.01337	106.2879	CHISHOLM6 230.00 - SWEETWATER 230KV CKT 1
15G	06ALL		2	FROM->TO	G15_031_230	SHAMROCK (SHAMRCK1) 115/69/14.4KV TRANSFORMER CKT 1	66	0.01214	105.7909	HWRDWCK2 69.000 - JERICO 69KV CKT 1
15G	06ALL		2	FROM->TO	G15_031_230	SHAMROCK (SHAMRCK1) 115/69/14.4KV TRANSFORMER CKT 1	66	0.01214	105.7909	JERICO - KIRBY SWITCHING STATION 115KV CKT 1
15G	06ALL		2	FROM->TO	G15_031_230	SHAMROCK (SHAMRCK1) 115/69/14.4KV TRANSFORMER CKT 1	66	0.01214	105.0333	CLARENDON - HWRDWCK2 69.000 69KV CKT 1
15G	06ALL		2	FROM->TO	G15_031_230	SHAMROCK (SHAMRCK1) 115/69/14.4KV TRANSFORMER CKT 1	66	0.01321	104.7455	G14-074T 345.00 - OKLAUNION 345KV CKT 1
15G	06ALL		2	FROM->TO	G15_031_230	SHAMROCK (SHAMRCK1) 115/69/14.4KV TRANSFORMER CKT 1	67.1	0.01337	104.6945	CHISHOLM6 230.00 - SWEETWATER 230KV CKT 1
15G	06ALL		2	FROM->TO	G15_031_230	SHAMROCK (SHAMRCK1) 115/69/14.4KV TRANSFORMER CKT 1	67.1	0.01214	104.2057	HWRDWCK2 69.000 - JERICO 69KV CKT 1
15G	06ALL		2	FROM->TO	G15_031_230	SHAMROCK (SHAMRCK1) 115/69/14.4KV TRANSFORMER CKT 1	67.1	0.01214	104.2057	JERICO - KIRBY SWITCHING STATION 115KV CKT 1
15G	06ALL		2	FROM->TO	G15_031_230	SHAMROCK (SHAMRCK1) 115/69/14.4KV TRANSFORMER CKT 1	67.1	0.01214	104.2057	JERICO (JERIC2WT) 115/69/14.4KV TRANSFORMER CKT 1
15G	06ALL		2	FROM->TO	G15_031_230	SHAMROCK (SHAMRCK1) 115/69/14.4KV TRANSFORMER CKT 1	66	0.01337	104.0152	GRAPEVINE INTERCHANGE - STATELINE INTERCHANGE 230KV CKT 1
15G	06ALL		2	FROM->TO	G15_031_230	SHAMROCK (SHAMRCK1) 115/69/14.4KV TRANSFORMER CKT 1	67.1	0.01214	103.4605	CLARENDON - HWRDWCK2 69.000 69KV CKT 1
15G	06ALL		2	FROM->TO	G15_031_230	SHAMROCK (SHAMRCK1) 115/69/14.4KV TRANSFORMER CKT 1	66	0.01231	103.4303	CHISHOLM6 230.00 - ELK CITY 230KV 230KV CKT 1
15G	06ALL		2	FROM->TO	G15_031_230	SHAMROCK (SHAMRCK1) 115/69/14.4KV TRANSFORMER CKT 1	66	0.01231	103.4303	ELK CITY 230KV (ELKCTY-6) 230/138/13.8KV TRANSFORMER CKT 1
15G	06ALL		2	FROM->TO	G15_031_230	SHAMROCK (SHAMRCK1) 115/69/14.4KV TRANSFORMER CKT 1	66	0.01269	103.3212	CHISHOLM7 345.00 - GRACEMONT 345KV CKT 1

SEASON	GROUP	SCENARIO	DIRECTION	SOURCE	MONITORED ELEMENT	RATE	CONTINGENCY		CONTINGENCY
						(MVA)	TDF	LOADING %	
15G	06ALL	2	FROM->TO	G15_031_230	SHAMROCK (SHAMRCK1) 115/69/14.4KV TRANSFORMER CKT 1	67.1	0.01321	103.1774	G14-074T 345.00 - OKLAUNION 345KV CKT 1
15G	06ALL	2	FROM->TO	G15_031_230	SHAMROCK (SHAMRCK1) 115/69/14.4KV TRANSFORMER CKT 1	67.1	0.01337	102.608	GRAPEVINE INTERCHANGE - STATELINE INTERCHANGE 230KV CKT 1
15G	06ALL	2	FROM->TO	G15_031_230	SHAMROCK (SHAMRCK1) 115/69/14.4KV TRANSFORMER CKT 1	66	0.01214	102.003	CLARENDON - CLARENDON REC 69KV CKT 1
15G	06ALL	2	FROM->TO	G15_031_230	SHAMROCK (SHAMRCK1) 115/69/14.4KV TRANSFORMER CKT 1	67.1	0.01231	101.8838	CHISHOLM6 230.00 - ELK CITY 230KV 230KV CKT 1
15G	06ALL	2	FROM->TO	G15_031_230	SHAMROCK (SHAMRCK1) 115/69/14.4KV TRANSFORMER CKT 1	67.1	0.01231	101.8838	ELK CITY 230KV (ELKCTY-6) 230/138/13.8KV TRANSFORMER CKT 1
15G	06ALL	2	FROM->TO	G15_031_230	SHAMROCK (SHAMRCK1) 115/69/14.4KV TRANSFORMER CKT 1	67.1	0.01269	101.7765	CHISHOLM7 345.00 - GRACEMONT 345KV CKT 1
15G	06ALL	2	FROM->TO	G15_031_230	SHAMROCK (SHAMRCK1) 115/69/14.4KV TRANSFORMER CKT 1	66	0.01321	101.4121	G14-074T 345.00 - TUCO INTERCHANGE 345KV CKT 1
15G	06ALL	2	FROM->TO	G15_031_230	SHAMROCK (SHAMRCK1) 115/69/14.4KV TRANSFORMER CKT 1	66	0.01214	100.7909	CLARENDON REC - HEDLEY 69KV CKT 1
15G	06ALL	2	FROM->TO	G15_031_230	SHAMROCK (SHAMRCK1) 115/69/14.4KV TRANSFORMER CKT 1	66	0.01205	100.5212	DBL-G1114-WWRD
15G	06ALL	2	FROM->TO	G15_031_230	SHAMROCK (SHAMRCK1) 115/69/14.4KV TRANSFORMER CKT 1	67.1	0.01214	100.4799	CLARENDON - CLARENDON REC 69KV CKT 1
15G	06ALL	2	FROM->TO	G15_031_230	SHAMROCK (SHAMRCK1) 115/69/14.4KV TRANSFORMER CKT 1	66	0.01337	100.3788	SPP-SWPS-02
15G	06ALL	2	FROM->TO	G15_031_230	SHAMROCK (SHAMRCK1) 115/69/14.4KV TRANSFORMER CKT 1	66	0.01337	100.3788	STATELINE INTERCHANGE - STLN-DEMARC6 230KV CKT 1
15G	06ALL	2	FROM->TO	G15_031_230	SHAMROCK (SHAMRCK1) 115/69/14.4KV TRANSFORMER CKT 1	66	0.01337	100.3788	STLN-DEMARC6 - SWEETWATER 230KV CKT 1
15SP	06ALL	2	FROM->TO	G15_031_230	SHAMROCK (SHAMRCK1) 115/69/14.4KV TRANSFORMER CKT 1	67.2	0.01207	100.1964	HWRDWCK2 69.000 - JERICHO 69KV CKT 1
15SP	06ALL	2	FROM->TO	G15_031_230	SHAMROCK (SHAMRCK1) 115/69/14.4KV TRANSFORMER CKT 1	67.2	0.01207	100.1964	JERICHO - KIRBY SWITCHING STATION 115KV CKT 1
15SP	06ALL	2	FROM->TO	G15_031_230	SHAMROCK (SHAMRCK1) 115/69/14.4KV TRANSFORMER CKT 1	67.2	0.01207	100.1964	JERICHO (JERIC2WT) 115/69/14.4KV TRANSFORMER CKT 1
15WP	06ALL	2	FROM->TO	G15_031_230	SHAMROCK (SHAMRCK1) 115/69/14.4KV TRANSFORMER CKT 1	67.2	0.01207	100.1964	HWRDWCK2 69.000 - JERICHO 69KV CKT 1
15WP	06ALL	2	FROM->TO	G15_031_230	SHAMROCK (SHAMRCK1) 115/69/14.4KV TRANSFORMER CKT 1	67.2	0.01207	100.1964	JERICHO - KIRBY SWITCHING STATION 115KV CKT 1
15WP	06ALL	2	FROM->TO	G15_031_230	SHAMROCK (SHAMRCK1) 115/69/14.4KV TRANSFORMER CKT 1	67.2	0.01207	100.1964	JERICHO (JERIC2WT) 115/69/14.4KV TRANSFORMER CKT 1
20SP	06ALL	2	TO->FROM	G15_031_230	SUNSHINE CANYON - TUTTLE 138KV CKT 1	141.6	0.02206	104.6511	CIMARRON - MINCO 345KV CKT 1
20WP	06ALL	2	TO->FROM	G15_031_230	SUNSHINE CANYON - TUTTLE 138KV CKT 1	141.6	0.02206	104.6511	CIMARRON - MINCO 345KV CKT 1
15SP	06ALL	2	TO->FROM	G15_031_230	SUNSHINE CANYON - TUTTLE 138KV CKT 1	141.6	0.02343	104.0226	CIMARRON - MINCO 345KV CKT 1
15WP	06ALL	2	TO->FROM	G15_031_230	SUNSHINE CANYON - TUTTLE 138KV CKT 1	141.6	0.02343	104.0226	CIMARRON - MINCO 345KV CKT 1
20SP	06ALL	2	TO->FROM	G15_031_230	SUNSHINE CANYON - TUTTLE 138KV CKT 1	141.6	0.02206	99.9901	GRACEMONT - MINCO 345KV CKT 1
20WP	06ALL	2	TO->FROM	G15_031_230	SUNSHINE CANYON - TUTTLE 138KV CKT 1	141.6	0.02206	99.9901	GRACEMONT - MINCO 345KV CKT 1
15SP	06ALL	2	FROM->TO	G15_031_230	THOMAS TAP - WEATHERFORD 69KV CKT 1	39	0.00793	114.2821	CLINTON JUNCTION - CLINTON NATURAL GAS TAP 138KV CKT 1
15WP	06ALL	2	FROM->TO	G15_031_230	THOMAS TAP - WEATHERFORD 69KV CKT 1	39	0.00793	114.2821	CLINTON JUNCTION - CLINTON NATURAL GAS TAP 138KV CKT 1
25SP	00NR	2	FROM->TO	G15_031_230	TUCO INTERCHANGE (GE M102345) 230/115/13.2KV TRANSFORMER CKT 1	245.5	0.00503	118.9853	TUCO INTERCHANGE (ENRC 136401) 230/115/13.2KV TRANSFORMER CKT 2
25SP	00NR	2	FROM->TO	G15_031_230	TUCO INTERCHANGE (GE M102345) 230/115/13.2KV TRANSFORMER CKT 1	249.3	0.00503	117.0112	TUCO INTERCHANGE (ENRC 136401) 230/115/13.2KV TRANSFORMER CKT 2
15G	06ALL	2	FROM->TO	G15_031_230	TUCO INTERCHANGE (GE M1022338) 345/230/13.2KV TRANSFORMER CKT 1	555.2	0.16223	101.4236	TUCO INTERCHANGE (SIEM 8743066) 345/230/13.2KV TRANSFORMER CKT 2
15G	06ALL	2	FROM->TO	G15_031_230	TUCO INTERCHANGE (GE M1022338) 345/230/13.2KV TRANSFORMER CKT 1	557.4	0.16223	100.9516	TUCO INTERCHANGE (SIEM 8743066) 345/230/13.2KV TRANSFORMER CKT 2
15G	06ALL	2	FROM->TO	G15_031_230	WICHITA (WICH TX-12) 345/138/13.8KV TRANSFORMER CKT 1	413.2	0.01229	106.6636	WICHITA (WICH TX-11) 345/138/13.8KV TRANSFORMER CKT 1
15G	06ALL	2	FROM->TO	G15_031_230	WICHITA (WICH TX-12) 345/138/13.8KV TRANSFORMER CKT 1	419.7	0.01229	104.8925	WICHITA (WICH TX-11) 345/138/13.8KV TRANSFORMER CKT 1
25SP	00NR	2	FROM->TO	G15_031_230	WOLFFORTH INTERCHANGE (WH 7001668) 230/115/13.2KV TRANSFORMER CKT 1	140.3	0.02018	100.8225	CARLISLE INTERCHANGE - LP-DOUD_TP 3115.00 115KV CKT 1
25SP	00NR	2	FROM->TO	G15_031_230	WOLFFORTH INTERCHANGE (WH 7001668) 230/115/13.2KV TRANSFORMER CKT 1	140.3	0.00728	100.4875	CARLISLE INTERCHANGE (CARLISLE_XF) 230/115/13.2KV TRANSFORMER CKT 1
15G	06ALL	2	FROM->TO	G15_031_230	WOODWARD (WOODWRD2) 138/69/13.2KV TRANSFORMER CKT 1	133.3	0.01043	100.0445	FPL SWITCH - MOORELAND 138KV CKT 1
20SP	06ALL	3	FROM->TO	G15_031_230	ANADARKO - CORN TAP 138KV CKT 1	142.8	0.01493	100.1961	CIMARRON - MINCO 345KV CKT 1
20WP	06ALL	3	FROM->TO	G15_031_230	ANADARKO - CORN TAP 138KV CKT 1	142.8	0.01493	100.1961	CIMARRON - MINCO 345KV CKT 1
15G	06ALL	3	TO->FROM	G15_031_230	ANADARKO - GRACMNT4 138.00 138KV CKT 1	225.1	0.05416	127.554	CIMARRON - MINCO 345KV CKT 1
15G	06ALL	3	TO->FROM	G15_031_230	ANADARKO - GRACMNT4 138.00 138KV CKT 1	225.1	0.05416	119.3798	GRACEMONT - MINCO 345KV CKT 1
15G	06ALL	3	TO->FROM	G15_031_230	ANADARKO - GRACMNT4 138.00 138KV CKT 1	225.1	0.03058	106.9427	SOUTHWESTERN STATION - WASHITA 138KV CKT 1
15SP	06ALL	3	FROM->TO	G15_031_230	BENTLEY4 138.00 - HALSTEAD SOUTH BUS 138KV CKT 1	142.2	0.00698	108.2686	RENO COUNTY - WICHITA 345KV CKT 1
15WP	06ALL	3	FROM->TO	G15_031_230	BENTLEY4 138.00 - HALSTEAD SOUTH BUS 138KV CKT 1	142.2	0.00698	108.2686	RENO COUNTY - WICHITA 345KV CKT 1
20SP	06ALL	3	FROM->TO	G15_031_230	CLEARWATER - GILL ENERGY CENTER WEST 138KV CKT 1	142.2	0.01389	102.4233	GILL ENERGY CENTER SOUTH - VIOLA 4 138.00 138KV CKT 1
20WP	06ALL	3	FROM->TO	G15_031_230	CLEARWATER - GILL ENERGY CENTER WEST 138KV CKT 1	142.2	0.01389	102.4233	GILL ENERGY CENTER SOUTH - VIOLA 4 138.00 138KV CKT 1
15SP	06ALL	3	TO->FROM	G15_031_230	CLINTON CITY - FOSS TAP 69KV CKT 1	74.5	0.00793	103.4497	CLINTON JUNCTION - CLINTON NATURAL GAS TAP 138KV CKT 1
15WP	06ALL	3	TO->FROM	G15_031_230	CLINTON CITY - FOSS TAP 69KV CKT 1	74.5	0.00793	103.4497	CLINTON JUNCTION - CLINTON NATURAL GAS TAP 138KV CKT 1
15SP	06ALL	3	FROM->TO	G15_031_230	CLINTON CITY - THOMAS TAP 69KV CKT 1	38.9	0.00793	125.6298	CLINTON JUNCTION - CLINTON NATURAL GAS TAP 138KV CKT 1
15WP	06ALL	3	FROM->TO	G15_031_230	CLINTON CITY - THOMAS TAP 69KV CKT 1	38.9	0.00793	125.6298	CLINTON JUNCTION - CLINTON NATURAL GAS TAP 138KV CKT 1
20SP	06ALL	3	FROM->TO	G15_031_230	CLINTON CITY - THOMAS TAP 69KV CKT 1	39	0.00757	102.959	CLINTON JUNCTION - CLINTON NATURAL GAS TAP 138KV CKT 1
20WP	06ALL	3	FROM->TO	G15_031_230	CLINTON CITY - THOMAS TAP 69KV CKT 1	39	0.00757	102.959	CLINTON JUNCTION - CLINTON NATURAL GAS TAP 138KV CKT 1
15G	06ALL	3	FROM->TO	G15_031_230	CLINTON CITY - THOMAS TAP 69KV CKT 1	47.9	0.00771	101.1232	CLINTON JUNCTION - CLINTON NATURAL GAS TAP 138KV CKT 1
15SP	06ALL	3	TO->FROM	G15_031_230	CLINTON JUNCTION - ELK CITY 138KV CKT 1	148.8	0.0426	140.6815	CHISHOLM7 345.00 - GRACEMONT 345KV CKT 1
15WP	06ALL	3	TO->FROM	G15_031_230	CLINTON JUNCTION - ELK CITY 138KV CKT 1	148.8	0.0426	140.6815	CHISHOLM7 345.00 - GRACEMONT 345KV CKT 1
15G	06ALL	3	TO->FROM	G15_031_230	CLINTON JUNCTION - ELK CITY 138KV CKT 1	185.1	0.04118	124.1297	CHISHOLM7 345.00 - GRACEMONT 345KV CKT 1
15SP	06ALL	3	TO->FROM	G15_031_230	CLINTON JUNCTION - ELK CITY 138KV CKT 1	148.8	0.03626	122.8078	G14-074T 345.00 - OKLAUNION 345KV CKT 1
15WP	06ALL	3	TO->FROM	G15_031_230	CLINTON JUNCTION - ELK CITY 138KV CKT 1	148.8	0.03626	122.8078	G14-074T 345.00 - OKLAUNION 345KV CKT 1
15SP	06ALL	3	TO->FROM	G15_031_230	CLINTON JUNCTION - ELK CITY 138KV CKT 1	148.8	0.02207	120.3723	ONEY - WASHITA 138KV CKT 1
15WP	06ALL	3	TO->FROM	G15_031_230	CLINTON JUNCTION - ELK CITY 138KV CKT 1	148.8	0.02207	120.3723	ONEY - WASHITA 138KV CKT 1
15SP	06ALL	3	TO->FROM	G15_031_230	CLINTON JUNCTION - ELK CITY 138KV CKT 1	148.8	0.03626	118.7755	G14-074T 345.00 - TUCO INTERCHANGE 345KV CKT 1
15WP	06ALL	3	TO->FROM	G15_031_230	CLINTON JUNCTION - ELK CITY 138KV CKT 1	148.8	0.03626	118.7755	G14-074T 345.00 - TUCO INTERCHANGE 345KV CKT 1
15SP	06ALL	3	TO->FROM	G15_031_230	CLINTON JUNCTION - ELK CITY 138KV CKT 1	148.8	0.03252	118.215	NORTHWEST - TATONGA7 345.00 345KV CKT 1
15WP	06ALL	3	TO->FROM	G15_031_230	CLINTON JUNCTION - ELK CITY 138KV CKT 1	148.8	0.03252	118.215	NORTHWEST - TATONGA7 345.00 345KV CKT 1
15SP	06ALL	3	TO->FROM	G15_031_230	CLINTON JUNCTION - ELK CITY 138KV CKT 1	148.8	0.02207	117.8185	BINGER NUJCT - ONEY 138KV CKT 1
15WP	06ALL	3	TO->FROM	G15_031_230	CLINTON JUNCTION - ELK CITY 138KV CKT 1	148.8	0.02207	117.8185	BINGER NUJCT - ONEY 138KV CKT 1

SEASON	GROUP	SCENARIO	DIRECTION	SOURCE	MONITORED ELEMENT	RATE		CONTINGENCY	
						(MVA)	TDF	LOADING %	CONTINGENCY
15SP	06ALL	3	TO->FROM	G15_031_230	CLINTON JUNCTION - ELK CITY 138KV CKT 1	148.8	0.03252	117.7446	SPSCont-05b
15WP	06ALL	3	TO->FROM	G15_031_230	CLINTON JUNCTION - ELK CITY 138KV CKT 1	148.8	0.03252	117.7446	SPSCont-05b
15SP	06ALL	3	TO->FROM	G15_031_230	CLINTON JUNCTION - ELK CITY 138KV CKT 1	148.8	0.03252	117.3414	SPSCont-04
15WP	06ALL	3	TO->FROM	G15_031_230	CLINTON JUNCTION - ELK CITY 138KV CKT 1	148.8	0.03252	117.3414	SPSCont-04
15SP	06ALL	3	TO->FROM	G15_031_230	CLINTON JUNCTION - ELK CITY 138KV CKT 1	148.8	0.03312	117.0927	DBL-THIS-WWRD
15WP	06ALL	3	TO->FROM	G15_031_230	CLINTON JUNCTION - ELK CITY 138KV CKT 1	148.8	0.03312	117.0927	DBL-THIS-WWRD
15SP	06ALL	3	TO->FROM	G15_031_230	CLINTON JUNCTION - ELK CITY 138KV CKT 1	132.4	0.02865	116.1979	BASE CASE
15WP	06ALL	3	TO->FROM	G15_031_230	CLINTON JUNCTION - ELK CITY 138KV CKT 1	132.4	0.02865	116.1979	BASE CASE
15SP	06ALL	3	TO->FROM	G15_031_230	CLINTON JUNCTION - ELK CITY 138KV CKT 1	148.8	0.0325	115.6492	CLINTON AIR FORCE BASE TAP - ELK CITY 138KV CKT 1
15WP	06ALL	3	TO->FROM	G15_031_230	CLINTON JUNCTION - ELK CITY 138KV CKT 1	148.8	0.0325	115.6492	CLINTON AIR FORCE BASE TAP - ELK CITY 138KV CKT 1
15SP	06ALL	3	TO->FROM	G15_031_230	CLINTON JUNCTION - ELK CITY 138KV CKT 1	148.8	0.03557	115.3952	CHISHOLM7 345.00 - WOODWARD DISTRICT EHV 345KV CKT 1
15WP	06ALL	3	TO->FROM	G15_031_230	CLINTON JUNCTION - ELK CITY 138KV CKT 1	148.8	0.03557	115.3952	CHISHOLM7 345.00 - WOODWARD DISTRICT EHV 345KV CKT 1
15SP	06ALL	3	TO->FROM	G15_031_230	CLINTON JUNCTION - ELK CITY 138KV CKT 1	148.8	0.0325	114.7755	CLINTON AIR FORCE BASE TAP - HOBART JUNCTION 138KV CKT 1
15WP	06ALL	3	TO->FROM	G15_031_230	CLINTON JUNCTION - ELK CITY 138KV CKT 1	148.8	0.0325	114.7755	CLINTON AIR FORCE BASE TAP - HOBART JUNCTION 138KV CKT 1
15SP	06ALL	3	TO->FROM	G15_031_230	CLINTON JUNCTION - ELK CITY 138KV CKT 1	148.8	0.02207	113.7191	BINGER NUJCT - SICKLES 138KV CKT 1
15WP	06ALL	3	TO->FROM	G15_031_230	CLINTON JUNCTION - ELK CITY 138KV CKT 1	148.8	0.02207	113.7191	BINGER NUJCT - SICKLES 138KV CKT 1
15SP	06ALL	3	TO->FROM	G15_031_230	CLINTON JUNCTION - ELK CITY 138KV CKT 1	148.8	0.03252	113.6451	G11_051T 345.00 - TATONGA7 345.00 345KV CKT 1
15WP	06ALL	3	TO->FROM	G15_031_230	CLINTON JUNCTION - ELK CITY 138KV CKT 1	148.8	0.03252	113.6451	G11_051T 345.00 - TATONGA7 345.00 345KV CKT 1
15SP	06ALL	3	TO->FROM	G15_031_230	CLINTON JUNCTION - ELK CITY 138KV CKT 1	148.8	0.02207	113.047	CLINTON JUNCTION - G07-32T 138.00 138KV CKT 1
15WP	06ALL	3	TO->FROM	G15_031_230	CLINTON JUNCTION - ELK CITY 138KV CKT 1	148.8	0.02207	113.047	CLINTON JUNCTION - G07-32T 138.00 138KV CKT 1
15SP	06ALL	3	TO->FROM	G15_031_230	CLINTON JUNCTION - ELK CITY 138KV CKT 1	148.8	0.02865	112.9341	G07-32 138.00 - G07-32T 138.00 138KV CKT 1
15SP	06ALL	3	TO->FROM	G15_031_230	CLINTON JUNCTION - ELK CITY 138KV CKT 1	148.8	0.02865	112.9341	G07-32 138.00 138/34.5KV TRANSFORMER CKT 1
15WP	06ALL	3	TO->FROM	G15_031_230	CLINTON JUNCTION - ELK CITY 138KV CKT 1	148.8	0.02865	112.9341	G07-32 34.500 34.5/12.0KV TRANSFORMER CKT 1
15WP	06ALL	3	TO->FROM	G15_031_230	CLINTON JUNCTION - ELK CITY 138KV CKT 1	148.8	0.02865	112.9341	G07-32 138.00 - G07-32T 138.00 138KV CKT 1
15WP	06ALL	3	TO->FROM	G15_031_230	CLINTON JUNCTION - ELK CITY 138KV CKT 1	148.8	0.02865	112.9341	G07-32 138.00 138/34.5KV TRANSFORMER CKT 1
15WP	06ALL	3	TO->FROM	G15_031_230	CLINTON JUNCTION - ELK CITY 138KV CKT 1	148.8	0.02865	112.9341	G07-32 34.500 34.5/12.0KV TRANSFORMER CKT 1
15SP	06ALL	3	TO->FROM	G15_031_230	CLINTON JUNCTION - ELK CITY 138KV CKT 1	148.8	0.02865	111.59	WASHITA - WEATHERFORD WIND FARM 34 KV 34.5KV CKT 1
15WP	06ALL	3	TO->FROM	G15_031_230	CLINTON JUNCTION - ELK CITY 138KV CKT 1	148.8	0.02865	111.59	WASHITA - WEATHERFORD WIND FARM 34 KV 34.5KV CKT 1
20SP	06ALL	3	TO->FROM	G15_031_230	CLINTON JUNCTION - ELK CITY 138KV CKT 1	151.1	0.04227	109.546	CHISHOLM7 345.00 - GRACEMONT 345KV CKT 1
20WP	06ALL	3	TO->FROM	G15_031_230	CLINTON JUNCTION - ELK CITY 138KV CKT 1	151.1	0.04227	109.546	CHISHOLM7 345.00 - GRACEMONT 345KV CKT 1
20SP	06ALL	3	TO->FROM	G15_031_230	CLINTON JUNCTION - ELK CITY 138KV CKT 1	151.1	0.02196	106.5136	ONEY - WASHITA 138KV CKT 1
20WP	06ALL	3	TO->FROM	G15_031_230	CLINTON JUNCTION - ELK CITY 138KV CKT 1	151.1	0.02196	106.5136	ONEY - WASHITA 138KV CKT 1
15G	06ALL	3	TO->FROM	G15_031_230	CLINTON JUNCTION - ELK CITY 138KV CKT 1	185.1	0.03496	105.7515	G14-074T 345.00 - OKLAUNION 345KV CKT 1
20SP	06ALL	3	TO->FROM	G15_031_230	CLINTON JUNCTION - ELK CITY 138KV CKT 1	151.1	0.02196	103.9325	BINGER NUJCT - ONEY 138KV CKT 1
20WP	06ALL	3	TO->FROM	G15_031_230	CLINTON JUNCTION - ELK CITY 138KV CKT 1	151.1	0.02196	103.9325	BINGER NUJCT - ONEY 138KV CKT 1
15G	06ALL	3	TO->FROM	G15_031_230	CLINTON JUNCTION - ELK CITY 138KV CKT 1	185.1	0.03496	102.6721	G14-074T 345.00 - TUCO INTERCHANGE 345KV CKT 1
15G	06ALL	3	TO->FROM	G15_031_230	CLINTON JUNCTION - ELK CITY 138KV CKT 1	185.1	0.03146	102.4549	NORTHWEST - TATONGA7 345.00 345KV CKT 1
15G	06ALL	3	TO->FROM	G15_031_230	CLINTON JUNCTION - ELK CITY 138KV CKT 1	185.1	0.03146	102.0767	SPSCont-05b
15G	06ALL	3	TO->FROM	G15_031_230	CLINTON JUNCTION - ELK CITY 138KV CKT 1	185.1	0.03146	101.7526	SPSCont-04
15G	06ALL	3	TO->FROM	G15_031_230	CLINTON JUNCTION - ELK CITY 138KV CKT 1	185.1	0.03129	101.5862	CLINTON AIR FORCE BASE TAP - ELK CITY 138KV CKT 1
15G	06ALL	3	TO->FROM	G15_031_230	CLINTON JUNCTION - ELK CITY 138KV CKT 1	185.1	0.03129	100.9919	CLINTON AIR FORCE BASE TAP - HOBART JUNCTION 138KV CKT 1
15G	06ALL	3	TO->FROM	G15_031_230	CLINTON JUNCTION - ELK CITY 138KV CKT 1	185.1	0.03444	100.2766	CHISHOLM7 345.00 - WOODWARD DISTRICT EHV 345KV CKT 1
15G	06ALL	3	TO->FROM	G15_031_230	CLINTON JUNCTION - ELK CITY 138KV CKT 1	185.1	0.03192	100.1059	DBL-THIS-WWRD
15SP	06ALL	3	FROM->TO	G15_031_230	CLINTON JUNCTION - FOSS TAP 69KV CKT 1	74.7	0.00793	104.3775	CLINTON JUNCTION - CLINTON NATURAL GAS TAP 138KV CKT 1
15WP	06ALL	3	FROM->TO	G15_031_230	CLINTON JUNCTION - FOSS TAP 69KV CKT 1	74.7	0.00793	104.3775	CLINTON JUNCTION - CLINTON NATURAL GAS TAP 138KV CKT 1
15SP	06ALL	3	TO->FROM	G15_031_230	COMANCHE TAP - TOSCO 69KV CKT 1	39	0.00576	103.8359	G14-057T 345.00 - SUNNYSIDE 345KV CKT 1
15WP	06ALL	3	TO->FROM	G15_031_230	COMANCHE TAP - TOSCO 69KV CKT 1	39	0.00576	103.8359	G14-057T 345.00 - SUNNYSIDE 345KV CKT 1
15SP	06ALL	3	TO->FROM	G15_031_230	COMANCHE TAP - TOSCO 69KV CKT 1	39	0.00576	101.0154	G14-057T 345.00 - LAWTON EASTSIDE 345KV CKT 1
15WP	06ALL	3	TO->FROM	G15_031_230	COMANCHE TAP - TOSCO 69KV CKT 1	39	0.00576	101.0154	G14-057T 345.00 - LAWTON EASTSIDE 345KV CKT 1
15SP	06ALL	3	FROM->TO	G15_031_230	DUNCAN - TOSCO 69KV CKT 1	38.9	0.00576	108.2159	G14-057T 345.00 - SUNNYSIDE 345KV CKT 1
15WP	06ALL	3	FROM->TO	G15_031_230	DUNCAN - TOSCO 69KV CKT 1	38.9	0.00576	108.2159	G14-057T 345.00 - SUNNYSIDE 345KV CKT 1
15SP	06ALL	3	FROM->TO	G15_031_230	DUNCAN - TOSCO 69KV CKT 1	38.9	0.00576	105.3882	G14-057T 345.00 - LAWTON EASTSIDE 345KV CKT 1
15WP	06ALL	3	FROM->TO	G15_031_230	DUNCAN - TOSCO 69KV CKT 1	38.9	0.00576	105.3882	G14-057T 345.00 - LAWTON EASTSIDE 345KV CKT 1
15SP	06ALL	3	TO->FROM	G15_031_230	EARLSBORO 4138.00 - MAUD 138KV CKT 1	97.7	0.00726	106.0655	MAUD (MAUD1) 138/69/13.2KV TRANSFORMER CKT 1
15WP	06ALL	3	TO->FROM	G15_031_230	EARLSBORO 4138.00 - MAUD 138KV CKT 1	97.7	0.00726	106.0655	MAUD (MAUD1) 138/69/13.2KV TRANSFORMER CKT 1
15SP	06ALL	3	TO->FROM	G15_031_230	EARLSBORO 4138.00 - MAUD 138KV CKT 1	97.7	0.00706	100.9273	CANADIAN RIVER - MCALESTER SOUTH 138KV CKT 1
15SP	06ALL	3	TO->FROM	G15_031_230	EARLSBORO 4138.00 - MAUD 138KV CKT 1	97.7	0.00697	100.9273	SPP-SWPS-T54
15WP	06ALL	3	TO->FROM	G15_031_230	EARLSBORO 4138.00 - MAUD 138KV CKT 1	97.7	0.00706	100.9273	CANADIAN RIVER - MCALESTER SOUTH 138KV CKT 1
15WP	06ALL	3	TO->FROM	G15_031_230	EARLSBORO 4138.00 - MAUD 138KV CKT 1	97.7	0.00697	100.9273	SPP-SWPS-T54
25SP	06ALL	3	FROM->TO	G15_031_230	EDDY_NORTH 6230.00 (WAUK WT01134) 230/115/13.2KV TRANSFORMER CKT 2	285	0.00501	104.5432	EDDY COUNTY INTERCHANGE - EDDY_NORTH 6230.00 230KV CKT @1
25SP	06ALL	3	FROM->TO	G15_031_230	EDDY_NORTH 6230.00 (WAUK WT01134) 230/115/13.2KV TRANSFORMER CKT 2	286.3	0.00501	103.9986	EDDY COUNTY INTERCHANGE - EDDY_NORTH 6230.00 230KV CKT @1
15G	06ALL	3	FROM->TO	G15_031_230	ELDORADO - ELDORADO ICT 69KV CKT 1	26.9	0.00822	101.9108	LAKE PAULINE - RUSSELL 138KV CKT 1
15G	06ALL	3	FROM->TO	G15_031_230	ELK CITY 230KV (ELKCTY-6) 230/138/13.8KV TRANSFORMER CKT 1	446.9	0.09592	117.1372	CHISHOLM7 345.00 - GRACEMONT 345KV CKT 1
15SP	06ALL	3	FROM->TO	G15_031_230	ELK CITY 230KV (ELKCTY-6) 230/138/13.8KV TRANSFORMER CKT 1	446.4	0.10148	117.1331	CHISHOLM7 345.00 - GRACEMONT 345KV CKT 1
15WP	06ALL	3	FROM->TO	G15_031_230	ELK CITY 230KV (ELKCTY-6) 230/138/13.8KV TRANSFORMER CKT 1	446.4	0.10148	117.1331	CHISHOLM7 345.00 - GRACEMONT 345KV CKT 1

SEASON	GROUP	SCENARIO	DIRECTION	SOURCE	MONITORED ELEMENT	RATE (MVA)	CONTINGENCY		CONTINGENCY
							TDF	LOADING %	
15G	06ALL		3 FROM->TO	G15_031_230	ELK CITY 230KV (ELKCTY-6) 230/138/13.8KV TRANSFORMER CKT 1	449.3	0.09592	116.6005	CHISHOLM7 345.00 - GRACEMONT 345KV CKT 1
15SP	06ALL		3 FROM->TO	G15_031_230	ELK CITY 230KV (ELKCTY-6) 230/138/13.8KV TRANSFORMER CKT 1	449.3	0.10148	116.4661	CHISHOLM7 345.00 - GRACEMONT 345KV CKT 1
15WP	06ALL		3 FROM->TO	G15_031_230	ELK CITY 230KV (ELKCTY-6) 230/138/13.8KV TRANSFORMER CKT 1	449.3	0.10148	116.4661	CHISHOLM7 345.00 - GRACEMONT 345KV CKT 1
15SP	06ALL		3 FROM->TO	G15_031_230	ELK CITY 230KV (ELKCTY-6) 230/138/13.8KV TRANSFORMER CKT 1	446.4	0.0872	103.6102	G14-074T 345.00 - OKLAUNION 345KV CKT 1
15WP	06ALL		3 FROM->TO	G15_031_230	ELK CITY 230KV (ELKCTY-6) 230/138/13.8KV TRANSFORMER CKT 1	446.4	0.0872	103.6102	G14-074T 345.00 - OKLAUNION 345KV CKT 1
15SP	06ALL		3 FROM->TO	G15_031_230	ELK CITY 230KV (ELKCTY-6) 230/138/13.8KV TRANSFORMER CKT 1	449.3	0.0872	103.0527	G14-074T 345.00 - OKLAUNION 345KV CKT 1
15WP	06ALL		3 FROM->TO	G15_031_230	ELK CITY 230KV (ELKCTY-6) 230/138/13.8KV TRANSFORMER CKT 1	449.3	0.0872	103.0527	G14-074T 345.00 - OKLAUNION 345KV CKT 1
15SP	06ALL		3 FROM->TO	G15_031_230	ELK CITY 230KV (ELKCTY-6) 230/138/13.8KV TRANSFORMER CKT 1	446.4	0.09325	101.828	CHISHOLM7 345.00 - WOODWARD DISTRICT EHV 345KV CKT 1
15WP	06ALL		3 FROM->TO	G15_031_230	ELK CITY 230KV (ELKCTY-6) 230/138/13.8KV TRANSFORMER CKT 1	446.4	0.09325	101.828	CHISHOLM7 345.00 - WOODWARD DISTRICT EHV 345KV CKT 1
15SP	06ALL		3 FROM->TO	G15_031_230	ELK CITY 230KV (ELKCTY-6) 230/138/13.8KV TRANSFORMER CKT 1	449.3	0.09325	101.282	CHISHOLM7 345.00 - WOODWARD DISTRICT EHV 345KV CKT 1
15WP	06ALL		3 FROM->TO	G15_031_230	ELK CITY 230KV (ELKCTY-6) 230/138/13.8KV TRANSFORMER CKT 1	449.3	0.09325	101.282	CHISHOLM7 345.00 - WOODWARD DISTRICT EHV 345KV CKT 1
15SP	06ALL		3 FROM->TO	G15_031_230	ELK CITY 230KV (ELKCTY-6) 230/138/13.8KV TRANSFORMER CKT 1	446.4	0.0872	100.1604	G14-074T 345.00 - TUCO INTERCHANGE 345KV CKT 1
15WP	06ALL		3 FROM->TO	G15_031_230	ELK CITY 230KV (ELKCTY-6) 230/138/13.8KV TRANSFORMER CKT 1	446.4	0.0872	100.1604	G14-074T 345.00 - TUCO INTERCHANGE 345KV CKT 1
15G	06ALL		3 FROM->TO	G15_031_230	FPL SWITCH - MOORELAND 138KV CKT 1	284.1	0.04537	119.1475	DBL-THIS-WWRD
15G	06ALL		3 FROM->TO	G15_031_230	FPL SWITCH - MOORELAND 138KV CKT 1	284.1	0.03689	111.7128	NORTHWEST - TATONGA7 345.00 345KV CKT 1
15G	06ALL		3 FROM->TO	G15_031_230	FPL SWITCH - MOORELAND 138KV CKT 1	284.1	0.03689	110.164	SPSCont-04
15G	06ALL		3 FROM->TO	G15_031_230	FPL SWITCH - MOORELAND 138KV CKT 1	284.1	0.03689	109.9176	SPSCont-05b
15G	06ALL		3 FROM->TO	G15_031_230	FPL SWITCH - MOORELAND 138KV CKT 1	284.1	0.03669	108.4111	CHISHOLM6 230.00 - ELK CITY 230KV 230KV CKT 1
15G	06ALL		3 FROM->TO	G15_031_230	FPL SWITCH - MOORELAND 138KV CKT 1	284.1	0.03669	108.4111	ELK CITY 230KV (ELKCTY-6) 230/138/13.8KV TRANSFORMER CKT 1
15G	06ALL		3 FROM->TO	G15_031_230	FPL SWITCH - MOORELAND 138KV CKT 1	284.1	0.03689	104.7082	G11_051T 345.00 - TATONGA7 345.00 345KV CKT 1
15G	06ALL		3 FROM->TO	G15_031_230	FPL SWITCH - MOORELAND 138KV CKT 1	284.1	0.03689	103.9338	G11_051T 345.00 - WOODWARD DISTRICT EHV 345KV CKT 1
15G	06ALL		3 FROM->TO	G15_031_230	FPL SWITCH - MOORELAND 138KV CKT 1	284.1	0.03689	102.2443	SPSCont-05ax
15G	06ALL		3 FROM->TO	G15_031_230	FPL SWITCH - MOORELAND 138KV CKT 1	284.1	0.02812	102.0563	WOODWARD (WOODWRD2) 138/69/13.2KV TRANSFORMER CKT 1
15G	06ALL		3 TO->FROM	G15_031_230	FPL SWITCH - WOODWARD 138KV CKT 1	285.2	0.04537	112.3415	DBL-THIS-WWRD
15G	06ALL		3 TO->FROM	G15_031_230	FPL SWITCH - WOODWARD 138KV CKT 1	285.2	0.03689	104.9355	NORTHWEST - TATONGA7 345.00 345KV CKT 1
15G	06ALL		3 TO->FROM	G15_031_230	FPL SWITCH - WOODWARD 138KV CKT 1	285.2	0.03689	103.3927	SPSCont-04
15G	06ALL		3 TO->FROM	G15_031_230	FPL SWITCH - WOODWARD 138KV CKT 1	285.2	0.03689	103.1473	SPSCont-05b
15G	06ALL		3 TO->FROM	G15_031_230	FPL SWITCH - WOODWARD 138KV CKT 1	285.2	0.03669	101.6466	CHISHOLM6 230.00 - ELK CITY 230KV 230KV CKT 1
15G	06ALL		3 TO->FROM	G15_031_230	FPL SWITCH - WOODWARD 138KV CKT 1	285.2	0.03669	101.6115	ELK CITY 230KV (ELKCTY-6) 230/138/13.8KV TRANSFORMER CKT 1
15SP	06ALL		3 TO->FROM	G15_031_230	GLASS MOUNTAIN - MOORELAND 138KV CKT 1	122.3	0.02058	109.2608	DBL-THIS-WWRD
15WP	06ALL		3 TO->FROM	G15_031_230	GLASS MOUNTAIN - MOORELAND 138KV CKT 1	122.3	0.02058	109.2608	DBL-THIS-WWRD
15SP	06ALL		3 TO->FROM	G15_031_230	GLASS MOUNTAIN - MOORELAND 138KV CKT 1	122.3	0.01581	100.5429	MOORELAND - NOEL_SW 138.00 138KV CKT 1
15WP	06ALL		3 TO->FROM	G15_031_230	GLASS MOUNTAIN - MOORELAND 138KV CKT 1	122.3	0.01581	100.5429	MOORELAND - NOEL_SW 138.00 138KV CKT 1
15G	06ALL		3 TO->FROM	G15_031_230	GRAPEVINE INTERCHANGE - NICHOLS STATION 230KV CKT 1	350	0.06841	100.18	DBL-G1114-WWRD
15G	06ALL		3 TO->FROM	G15_031_230	GRAPEVINE INTERCHANGE - NICHOLS STATION 230KV CKT 1	350	0.07135	100.1794	GRAPEVINE 345.00 - POTTER COUNTY INTERCHANGE 345KV CKT 1
15G	06ALL		3 FROM->TO	G15_031_230	Harrington Station East Bus - POTTER COUNTY INTERCHANGE 230KV CKT 1	347	0.06268	121.0213	CHERRY1 - HARRINGTON STATION 230KV CKT 1
15G	06ALL		3 FROM->TO	G15_031_230	Harrington Station East Bus - POTTER COUNTY INTERCHANGE 230KV CKT 1	347	0.07145	119.3493	CHERRY1 - POTTER COUNTY INTERCHANGE 230KV CKT 1
15G	06ALL		3 TO->FROM	G15_031_230	HAYS PLANT - SOUTH HAYS 115KV CKT 1	98.9	0.00599	115.5005	KNOLL 230 - POSTROCK6 230.00 230KV CKT 1
15SP	06ALL		3 FROM->TO	G15_031_230	HAYS PLANT - VINE STREET 115KV CKT 1	88	0.00574	116.9091	KNOLL 230 - POSTROCK6 230.00 230KV CKT 1
15WP	06ALL		3 FROM->TO	G15_031_230	HAYS PLANT - VINE STREET 115KV CKT 1	88	0.00574	116.9091	KNOLL 230 - POSTROCK6 230.00 230KV CKT 1
15G	06ALL		3 FROM->TO	G15_031_230	HAYS PLANT - VINE STREET 115KV CKT 1	87.9	0.00599	105.9499	KNOLL 230 - POSTROCK6 230.00 230KV CKT 1
15SP	06ALL		3 FROM->TO	G15_031_230	JERICHO (JERIC2WT) 115/69/14.4KV TRANSFORMER CKT 1	45.6	0.00661	107.4035	KIRBY SWITCHING STATION - MCCLELLAN SUB 115KV CKT 1
15WP	06ALL		3 FROM->TO	G15_031_230	JERICHO (JERIC2WT) 115/69/14.4KV TRANSFORMER CKT 1	45.6	0.00661	107.4035	KIRBY SWITCHING STATION - MCCLELLAN SUB 115KV CKT 1
15SP	06ALL		3 FROM->TO	G15_031_230	JERICHO (JERIC2WT) 115/69/14.4KV TRANSFORMER CKT 1	45.9	0.00661	106.7015	KIRBY SWITCHING STATION - MCCLELLAN SUB 115KV CKT 1
15WP	06ALL		3 FROM->TO	G15_031_230	JERICHO (JERIC2WT) 115/69/14.4KV TRANSFORMER CKT 1	45.9	0.00661	106.7015	KIRBY SWITCHING STATION - MCCLELLAN SUB 115KV CKT 1
15SP	06ALL		3 FROM->TO	G15_031_230	JERICHO (JERIC2WT) 115/69/14.4KV TRANSFORMER CKT 1	45.6	0.00661	105.8684	MCCLELLAN SUB - MCLEAN RURAL SUB 115KV CKT 1
15WP	06ALL		3 FROM->TO	G15_031_230	JERICHO (JERIC2WT) 115/69/14.4KV TRANSFORMER CKT 1	45.6	0.00661	105.8684	MCCLELLAN SUB - MCLEAN RURAL SUB 115KV CKT 1
15SP	06ALL		3 FROM->TO	G15_031_230	JERICHO (JERIC2WT) 115/69/14.4KV TRANSFORMER CKT 1	45.9	0.00661	105.1765	MCCLELLAN SUB - MCLEAN RURAL SUB 115KV CKT 1
15WP	06ALL		3 FROM->TO	G15_031_230	JERICHO (JERIC2WT) 115/69/14.4KV TRANSFORMER CKT 1	45.9	0.00661	105.1765	MCCLELLAN SUB - MCLEAN RURAL SUB 115KV CKT 1
15G	06ALL		3 FROM->TO	G15_031_230	JERICHO (JERIC2WT) 115/69/14.4KV TRANSFORMER CKT 1	45.7	0.00665	102.4595	KIRBY SWITCHING STATION - MCCLELLAN SUB 115KV CKT 1
15SP	06ALL		3 FROM->TO	G15_031_230	JERICHO (JERIC2WT) 115/69/14.4KV TRANSFORMER CKT 1	45.6	0.00661	102.3596	SPP-SWPS-T54
15WP	06ALL		3 FROM->TO	G15_031_230	JERICHO (JERIC2WT) 115/69/14.4KV TRANSFORMER CKT 1	45.6	0.00661	102.3596	SPP-SWPS-T54
15G	06ALL		3 FROM->TO	G15_031_230	JERICHO (JERIC2WT) 115/69/14.4KV TRANSFORMER CKT 1	45.9	0.00665	102.0131	KIRBY SWITCHING STATION - MCCLELLAN SUB 115KV CKT 1
15SP	06ALL		3 FROM->TO	G15_031_230	JERICHO (JERIC2WT) 115/69/14.4KV TRANSFORMER CKT 1	45.9	0.00661	101.6906	SPP-SWPS-T54
15WP	06ALL		3 FROM->TO	G15_031_230	JERICHO (JERIC2WT) 115/69/14.4KV TRANSFORMER CKT 1	45.9	0.00661	101.6906	SPP-SWPS-T54
15G	06ALL		3 FROM->TO	G15_031_230	JERICHO (JERIC2WT) 115/69/14.4KV TRANSFORMER CKT 1	45.7	0.00665	101.1466	MCCLELLAN SUB - MCLEAN RURAL SUB 115KV CKT 1
15SP	06ALL		3 FROM->TO	G15_031_230	JERICHO (JERIC2WT) 115/69/14.4KV TRANSFORMER CKT 1	45.6	0.00661	100.8246	MCLEAN RURAL SUB - SHAMROCK 115KV CKT 1
15SP	06ALL		3 FROM->TO	G15_031_230	JERICHO (JERIC2WT) 115/69/14.4KV TRANSFORMER CKT 1	45.6	0.00661	100.8246	SHAMROCK (SHAMRCK1) 115/69/14.4KV TRANSFORMER CKT 1
15WP	06ALL		3 FROM->TO	G15_031_230	JERICHO (JERIC2WT) 115/69/14.4KV TRANSFORMER CKT 1	45.6	0.00661	100.8246	MCLEAN RURAL SUB - SHAMROCK 115KV CKT 1
15WP	06ALL		3 FROM->TO	G15_031_230	JERICHO (JERIC2WT) 115/69/14.4KV TRANSFORMER CKT 1	45.6	0.00661	100.8246	SHAMROCK (SHAMRCK1) 115/69/14.4KV TRANSFORMER CKT 1
15G	06ALL		3 FROM->TO	G15_031_230	JERICHO (JERIC2WT) 115/69/14.4KV TRANSFORMER CKT 1	45.9	0.00665	100.7059	MCCLELLAN SUB - MCLEAN RURAL SUB 115KV CKT 1
15SP	06ALL		3 FROM->TO	G15_031_230	JERICHO (JERIC2WT) 115/69/14.4KV TRANSFORMER CKT 1	45.9	0.00661	100.1656	MCLEAN RURAL SUB - SHAMROCK 115KV CKT 1
15SP	06ALL		3 FROM->TO	G15_031_230	JERICHO (JERIC2WT) 115/69/14.4KV TRANSFORMER CKT 1	45.9	0.00661	100.1656	SHAMROCK (SHAMRCK1) 115/69/14.4KV TRANSFORMER CKT 1
15WP	06ALL		3 FROM->TO	G15_031_230	JERICHO (JERIC2WT) 115/69/14.4KV TRANSFORMER CKT 1	45.9	0.00661	100.1656	MCLEAN RURAL SUB - SHAMROCK 115KV CKT 1
15WP	06ALL		3 FROM->TO	G15_031_230	JERICHO (JERIC2WT) 115/69/14.4KV TRANSFORMER CKT 1	45.9	0.00661	100.1656	SHAMROCK (SHAMRCK1) 115/69/14.4KV TRANSFORMER CKT 1

SEASON	GROUP	SCENARIO	DIRECTION	SOURCE	MONITORED ELEMENT	RATE (MVA)	TDF	CONTINGENCY LOADING %	CONTINGENCY
25SP	00NR		3 TO->FROM	G15_031_230	LUBBOCK POWER & LIGHT-CO-OP - LUBBOCK POWER & LIGHT-SLATON 69KV CKT 1	53.5	0.00696	154.3701	LUBBOCK POWER & LIGHT-CO-OP - LUBBOCK POWER & LIGHT-WADSWORTH 69KV CKT 1
20SP	00NR		3 TO->FROM	G15_031_230	LUBBOCK POWER & LIGHT-CO-OP - LUBBOCK POWER & LIGHT-SLATON 69KV CKT 1	53.6	0.00972	138.2761	LUBBOCK POWER & LIGHT-CO-OP - LUBBOCK POWER & LIGHT-WADSWORTH 69KV CKT 1
15SP	00NR		3 TO->FROM	G15_031_230	LUBBOCK POWER & LIGHT-CO-OP - LUBBOCK POWER & LIGHT-SLATON 69KV CKT 1	53.9	0.00934	115.2171	LUBBOCK POWER & LIGHT-CO-OP - LUBBOCK POWER & LIGHT-WADSWORTH 69KV CKT 1
20WP	00NR		3 TO->FROM	G15_031_230	LUBBOCK POWER & LIGHT-CO-OP - LUBBOCK POWER & LIGHT-SLATON 69KV CKT 1	53.9	0.01591	105.3302	LUBBOCK POWER & LIGHT-CO-OP - LUBBOCK POWER & LIGHT-WADSWORTH 69KV CKT 1
25SP	00NR		3 TO->FROM	G15_031_230	LUBBOCK POWER & LIGHT-CO-OP - LUBBOCK POWER & LIGHT-WADSWORTH 69KV CKT 1	105.6	0.00687	126.857	BASE CASE
25SP	00NR		3 TO->FROM	G15_031_230	LUBBOCK POWER & LIGHT-CO-OP - LUBBOCK POWER & LIGHT-WADSWORTH 69KV CKT 1	141.2	0.00836	125.4306	LUBBOCK POWER & LIGHT-SLATON - LUBBOCK POWER & LIGHT-SOUTHEAST 69KV CKT 1
25SP	00NR		3 TO->FROM	G15_031_230	LUBBOCK POWER & LIGHT-CO-OP - LUBBOCK POWER & LIGHT-WADSWORTH 69KV CKT 1	141.2	0.00915	115.9667	LUBBOCK POWER & LIGHT-SOUTHEAST - LUBBOCK SOUTH INTERCHANGE 230KV CKT 1
25SP	00NR		3 TO->FROM	G15_031_230	LUBBOCK POWER & LIGHT-CO-OP - LUBBOCK POWER & LIGHT-WADSWORTH 69KV CKT 1	141.2	0.00865	114.2316	LUBBOCK POWER & LIGHT-HOLLY GEN - LUBBOCK POWER & LIGHT-NORTHEAST 69KV CKT 1
20SP	00NR		3 TO->FROM	G15_031_230	LUBBOCK POWER & LIGHT-CO-OP - LUBBOCK POWER & LIGHT-WADSWORTH 69KV CKT 1	108	0.00953	113.5732	BASE CASE
20SP	00NR		3 TO->FROM	G15_031_230	LUBBOCK POWER & LIGHT-CO-OP - LUBBOCK POWER & LIGHT-WADSWORTH 69KV CKT 1	143	0.01152	113.3259	LUBBOCK POWER & LIGHT-SLATON - LUBBOCK POWER & LIGHT-SOUTHEAST 69KV CKT 1
25SP	00NR		3 TO->FROM	G15_031_230	LUBBOCK POWER & LIGHT-CO-OP - LUBBOCK POWER & LIGHT-WADSWORTH 69KV CKT 1	141.2	0.009	111.0482	CARLISLE INTERCHANGE - LUBBOCK POWER & LIGHT-MILWAUKEE 230KV CKT 1
25SP	00NR		3 TO->FROM	G15_031_230	LUBBOCK POWER & LIGHT-CO-OP - LUBBOCK POWER & LIGHT-WADSWORTH 69KV CKT 1	141.2	0.009	110.9773	LUBBOCK POWER & LIGHT-MILWAUKEE (M-E C0681251) 230/69/13.5KV TRANSFORMER CKT 1
25SP	00NR		3 TO->FROM	G15_031_230	LUBBOCK POWER & LIGHT-CO-OP - LUBBOCK POWER & LIGHT-WADSWORTH 69KV CKT 1	141.2	0.009	110.9773	SPP-SWPS-K39
15SP	00NR		3 TO->FROM	G15_031_230	LUBBOCK POWER & LIGHT-CO-OP - LUBBOCK POWER & LIGHT-WADSWORTH 69KV CKT 1	108	0.01017	109.5843	BASE CASE
25SP	00NR		3 TO->FROM	G15_031_230	LUBBOCK POWER & LIGHT-CO-OP - LUBBOCK POWER & LIGHT-WADSWORTH 69KV CKT 1	141.2	0.00712	108.7365	LUBBOCK POWER & LIGHT-OLIVER - LUBBOCK POWER & LIGHT-SOUTHEAST 69KV CKT 1
15SP	00NR		3 TO->FROM	G15_031_230	LUBBOCK POWER & LIGHT-CO-OP - LUBBOCK POWER & LIGHT-WADSWORTH 69KV CKT 1	143	0.01165	104.472	LUBBOCK POWER & LIGHT-SLATON - LUBBOCK POWER & LIGHT-SOUTHEAST 69KV CKT 1
25SP	00NR		3 TO->FROM	G15_031_230	LUBBOCK POWER & LIGHT-CO-OP - LUBBOCK POWER & LIGHT-WADSWORTH 69KV CKT 1	141.2	0.00865	103.3959	LUBBOCK POWER & LIGHT-MACKENZIE GEN - LUBBOCK POWER & LIGHT-NORTHEAST 69KV CKT 1
20SP	00NR		3 TO->FROM	G15_031_230	LUBBOCK POWER & LIGHT-CO-OP - LUBBOCK POWER & LIGHT-WADSWORTH 69KV CKT 1	143	0.01184	103.3231	LUBBOCK POWER & LIGHT-HOLLY GEN - LUBBOCK POWER & LIGHT-NORTHEAST 69KV CKT 1
20SP	00NR		3 TO->FROM	G15_031_230	LUBBOCK POWER & LIGHT-CO-OP - LUBBOCK POWER & LIGHT-WADSWORTH 69KV CKT 1	143	0.01322	103.2629	LUBBOCK POWER & LIGHT-SOUTHEAST - LUBBOCK SOUTH INTERCHANGE 230KV CKT 1
25SP	00NR		3 TO->FROM	G15_031_230	LUBBOCK POWER & LIGHT-CO-OP - LUBBOCK POWER & LIGHT-WADSWORTH 69KV CKT 1	141.2	0.00772	102.7734	LUBBOCK POWER & LIGHT-SOUTHEAST (ABB 60258) 230/69/13.5KV TRANSFORMER CKT 1
25SP	00NR		3 TO->FROM	G15_031_230	LUBBOCK POWER & LIGHT-CO-OP - LUBBOCK POWER & LIGHT-WADSWORTH 69KV CKT 1	141.2	0.00767	102.267	LUBBOCK POWER & LIGHT-SOUTHEAST (FRM WADSWRTH) 230/69/13.5KV TRANSFORMER CKT 2
25SP	00NR		3 TO->FROM	G15_031_230	LUBBOCK POWER & LIGHT-CO-OP - LUBBOCK POWER & LIGHT-WADSWORTH 69KV CKT 1	141.2	0.00718	101.5255	LUBBOCK POWER & LIGHT-CHALKER - LUBBOCK POWER & LIGHT-THOMPSON 69KV CKT 1
25SP	00NR		3 TO->FROM	G15_031_230	LUBBOCK POWER & LIGHT-CO-OP - LUBBOCK POWER & LIGHT-WADSWORTH 69KV CKT 1	141.2	0.00628	100.8385	LUBBOCK POWER & LIGHT-HOLLY GEN - LUBBOCK POWER & LIGHT-SOUTHEAST 69KV CKT 1
25SP	00NR		3 TO->FROM	G15_031_230	LUBBOCK POWER & LIGHT-CO-OP - LUBBOCK POWER & LIGHT-WADSWORTH 69KV CKT 1	141.2	0.00712	100.4504	LUBBOCK POWER & LIGHT-CHALKER - LUBBOCK POWER & LIGHT-OLIVER 69KV CKT 1
25SP	00NR		3 TO->FROM	G15_031_230	LUBBOCK POWER & LIGHT-SLATON - LUBBOCK POWER & LIGHT-SOUTHEAST 69KV CKT 1	143	0.00712	121.1441	LUBBOCK POWER & LIGHT-CO-OP - LUBBOCK POWER & LIGHT-WADSWORTH 69KV CKT 1
20SP	00NR		3 TO->FROM	G15_031_230	LUBBOCK POWER & LIGHT-SLATON - LUBBOCK POWER & LIGHT-SOUTHEAST 69KV CKT 1	142.8	0.0097	110.7913	LUBBOCK POWER & LIGHT-CO-OP - LUBBOCK POWER & LIGHT-WADSWORTH 69KV CKT 1
20SP	00NR		3 TO->FROM	G15_031_230	LUBBOCK POWER & LIGHT-SLATON - LUBBOCK POWER & LIGHT-SOUTHEAST 69KV CKT 1	142.8	0.00584	109	LUBBOCK POWER & LIGHT-OLIVER - LUBBOCK POWER & LIGHT-SOUTHEAST 69KV CKT 1
20SP	06ALL		3 TO->FROM	G15_031_230	NORGE ROAD - SOUTHWESTERN STATION 138KV CKT 1	135.7	0.01122	110.7472	SOUTHWESTERN STATION - VERDEN 138KV CKT 1
20WP	06ALL		3 TO->FROM	G15_031_230	NORGE ROAD - SOUTHWESTERN STATION 138KV CKT 1	135.7	0.01122	110.7472	SOUTHWESTERN STATION - VERDEN 138KV CKT 1
20SP	06ALL		3 TO->FROM	G15_031_230	NORGE ROAD - SOUTHWESTERN STATION 138KV CKT 1	135.7	0.01122	109.2734	NORTH 29TH CHICKASHA - VERDEN 138KV CKT 1
20WP	06ALL		3 TO->FROM	G15_031_230	NORGE ROAD - SOUTHWESTERN STATION 138KV CKT 1	135.7	0.01122	109.2734	NORTH 29TH CHICKASHA - VERDEN 138KV CKT 1
20SP	06ALL		3 TO->FROM	G15_031_230	NORGE ROAD - SOUTHWESTERN STATION 138KV CKT 1	135.7	0.01607	106.3714	CIMARRON - MINCO 345KV CKT 1
20WP	06ALL		3 TO->FROM	G15_031_230	NORGE ROAD - SOUTHWESTERN STATION 138KV CKT 1	135.7	0.01607	106.3714	CIMARRON - MINCO 345KV CKT 1
20SP	06ALL		3 TO->FROM	G15_031_230	NORGE ROAD - SOUTHWESTERN STATION 138KV CKT 1	135.7	0.01122	106.1783	CORNVILLE - NORTH 29TH CHICKASHA 138KV CKT 1
20WP	06ALL		3 TO->FROM	G15_031_230	NORGE ROAD - SOUTHWESTERN STATION 138KV CKT 1	135.7	0.01122	106.1783	CORNVILLE - NORTH 29TH CHICKASHA 138KV CKT 1
20SP	06ALL		3 TO->FROM	G15_031_230	NORGE ROAD - SOUTHWESTERN STATION 138KV CKT 1	135.7	0.01039	104.1253	ANADARKO - CORN TAP 138KV CKT 1
20WP	06ALL		3 TO->FROM	G15_031_230	NORGE ROAD - SOUTHWESTERN STATION 138KV CKT 1	135.7	0.01039	104.1253	ANADARKO - CORN TAP 138KV CKT 1
20SP	06ALL		3 TO->FROM	G15_031_230	NORGE ROAD - SOUTHWESTERN STATION 138KV CKT 1	135.7	0.01607	102.8342	GRACEMONT - MINCO 345KV CKT 1
20WP	06ALL		3 TO->FROM	G15_031_230	NORGE ROAD - SOUTHWESTERN STATION 138KV CKT 1	135.7	0.01607	102.8342	GRACEMONT - MINCO 345KV CKT 1
25SP	06ALL		3 TO->FROM	G15_031_230	NORGE ROAD - SOUTHWESTERN STATION 138KV CKT 1	135.8	0.01079	100.0884	SOUTHWESTERN STATION - VERDEN 138KV CKT 1
15SP	06ALL		3 FROM->TO	G15_031_230	PRINGLE INTERCHANGE - SPEARMAN INTERCHANGE 115KV CKT 1	159.7	0.0368	104.9242	PRINGLE INTERCHANGE - SPEARMAN INTERCHANGE 115KV CKT 2
15WP	06ALL		3 FROM->TO	G15_031_230	PRINGLE INTERCHANGE - SPEARMAN INTERCHANGE 115KV CKT 1	159.7	0.0368	104.9242	PRINGLE INTERCHANGE - SPEARMAN INTERCHANGE 115KV CKT 2
15G	06ALL		3 FROM->TO	G15_031_230	PRINGLE INTERCHANGE - SPEARMAN INTERCHANGE 115KV CKT 1	158.4	0.03545	103.7071	PRINGLE INTERCHANGE - SPEARMAN INTERCHANGE 115KV CKT 2
15G	06ALL		3 FROM->TO	G15_031_230	SHAMROCK (SHAMRCK1) 115/69/14.4KV TRANSFORMER CKT 1	66	0.01334	106.2333	CHISHOLM6 230.00 - SWEETWATER 230KV CKT 1
15G	06ALL		3 FROM->TO	G15_031_230	SHAMROCK (SHAMRCK1) 115/69/14.4KV TRANSFORMER CKT 1	66	0.01212	105.7455	HWRDWCK2 69.000 - JERICO 69KV CKT 1
15G	06ALL		3 FROM->TO	G15_031_230	SHAMROCK (SHAMRCK1) 115/69/14.4KV TRANSFORMER CKT 1	66	0.01212	105.7455	JERICO - KIRBY SWITCHING STATION 115KV CKT 1
15G	06ALL		3 FROM->TO	G15_031_230	SHAMROCK (SHAMRCK1) 115/69/14.4KV TRANSFORMER CKT 1	66	0.01212	105.7455	JERICO (JERIC2WT) 115/69/14.4KV TRANSFORMER CKT 1

SEASON	GROUP	SCENARIO	DIRECTION	SOURCE	MONITORED ELEMENT	RATE (MVA)	TDF	CONTINGENCY LOADING %	CONTINGENCY
15G	06ALL	3	FROM->TO	G15_031_230	SHAMROCK (SHAMRCK1) 115/69/14.4KV TRANSFORMER CKT 1	66	0.01212	104.9879	CLARENDON - HWRDWCK2 69.000 69KV CKT 1
15G	06ALL	3	FROM->TO	G15_031_230	SHAMROCK (SHAMRCK1) 115/69/14.4KV TRANSFORMER CKT 1	66	0.01319	104.7091	G14-074T 345.00 - OKLAUNION 345KV CKT 1
15G	06ALL	3	FROM->TO	G15_031_230	SHAMROCK (SHAMRCK1) 115/69/14.4KV TRANSFORMER CKT 1	67.1	0.01334	104.6408	CHISHOLM6 230.00 - SWEETWATER 230KV CKT 1
15G	06ALL	3	FROM->TO	G15_031_230	SHAMROCK (SHAMRCK1) 115/69/14.4KV TRANSFORMER CKT 1	67.1	0.01212	104.1609	HWRDWCK2 69.000 - JERICHO 69KV CKT 1
15G	06ALL	3	FROM->TO	G15_031_230	SHAMROCK (SHAMRCK1) 115/69/14.4KV TRANSFORMER CKT 1	67.1	0.01212	104.1609	JERICHO - KIRBY SWITCHING STATION 115KV CKT 1
15G	06ALL	3	FROM->TO	G15_031_230	SHAMROCK (SHAMRCK1) 115/69/14.4KV TRANSFORMER CKT 1	67.1	0.01212	104.1609	JERICHO (JERIC2WT) 115/69/14.4KV TRANSFORMER CKT 1
15G	06ALL	3	FROM->TO	G15_031_230	SHAMROCK (SHAMRCK1) 115/69/14.4KV TRANSFORMER CKT 1	66	0.01334	103.9606	GRAPEVINE INTERCHANGE - STATELINE INTERCHANGE 230KV CKT 1
15G	06ALL	3	FROM->TO	G15_031_230	SHAMROCK (SHAMRCK1) 115/69/14.4KV TRANSFORMER CKT 1	67.1	0.01212	103.4158	CLARENDON - HWRDWCK2 69.000 69KV CKT 1
15G	06ALL	3	FROM->TO	G15_031_230	SHAMROCK (SHAMRCK1) 115/69/14.4KV TRANSFORMER CKT 1	66	0.01229	103.3848	CHISHOLM6 230.00 - ELK CITY 230KV 230KV CKT 1
15G	06ALL	3	FROM->TO	G15_031_230	SHAMROCK (SHAMRCK1) 115/69/14.4KV TRANSFORMER CKT 1	66	0.01229	103.3848	ELK CITY 230KV (ELKCTY-6) 230/138/13.8KV TRANSFORMER CKT 1
15G	06ALL	3	FROM->TO	G15_031_230	SHAMROCK (SHAMRCK1) 115/69/14.4KV TRANSFORMER CKT 1	66	0.01267	103.2758	CHISHOLM7 345.00 - GRACEMONT 345KV CKT 1
15G	06ALL	3	FROM->TO	G15_031_230	SHAMROCK (SHAMRCK1) 115/69/14.4KV TRANSFORMER CKT 1	67.1	0.01319	103.1416	G14-074T 345.00 - OKLAUNION 345KV CKT 1
15G	06ALL	3	FROM->TO	G15_031_230	SHAMROCK (SHAMRCK1) 115/69/14.4KV TRANSFORMER CKT 1	67.1	0.01334	102.5544	GRAPEVINE INTERCHANGE - STATELINE INTERCHANGE 230KV CKT 1
15G	06ALL	3	FROM->TO	G15_031_230	SHAMROCK (SHAMRCK1) 115/69/14.4KV TRANSFORMER CKT 1	66	0.01212	101.9576	CLARENDON - CLARENDON REC 69KV CKT 1
15G	06ALL	3	FROM->TO	G15_031_230	SHAMROCK (SHAMRCK1) 115/69/14.4KV TRANSFORMER CKT 1	67.1	0.01229	101.8391	CHISHOLM6 230.00 - ELK CITY 230KV 230KV CKT 1
15G	06ALL	3	FROM->TO	G15_031_230	SHAMROCK (SHAMRCK1) 115/69/14.4KV TRANSFORMER CKT 1	67.1	0.01229	101.8391	ELK CITY 230KV (ELKCTY-6) 230/138/13.8KV TRANSFORMER CKT 1
15G	06ALL	3	FROM->TO	G15_031_230	SHAMROCK (SHAMRCK1) 115/69/14.4KV TRANSFORMER CKT 1	67.1	0.01267	101.7318	CHISHOLM7 345.00 - GRACEMONT 345KV CKT 1
15G	06ALL	3	FROM->TO	G15_031_230	SHAMROCK (SHAMRCK1) 115/69/14.4KV TRANSFORMER CKT 1	66	0.01319	101.2242	G14-074T 345.00 - TUCO INTERCHANGE 345KV CKT 1
15G	06ALL	3	FROM->TO	G15_031_230	SHAMROCK (SHAMRCK1) 115/69/14.4KV TRANSFORMER CKT 1	66	0.01212	100.7455	CLARENDON REC - HEDLEY 69KV CKT 1
15G	06ALL	3	FROM->TO	G15_031_230	SHAMROCK (SHAMRCK1) 115/69/14.4KV TRANSFORMER CKT 1	66	0.01203	100.4758	DBL-G1114-WWIRD
15G	06ALL	3	FROM->TO	G15_031_230	SHAMROCK (SHAMRCK1) 115/69/14.4KV TRANSFORMER CKT 1	67.1	0.01212	100.4352	CLARENDON - CLARENDON REC 69KV CKT 1
15G	06ALL	3	FROM->TO	G15_031_230	SHAMROCK (SHAMRCK1) 115/69/14.4KV TRANSFORMER CKT 1	66	0.01334	100.3242	SPP-SWPS-02
15G	06ALL	3	FROM->TO	G15_031_230	SHAMROCK (SHAMRCK1) 115/69/14.4KV TRANSFORMER CKT 1	66	0.01334	100.3242	STATELINE INTERCHANGE - STLN-DEMARC6 230KV CKT 1
15G	06ALL	3	FROM->TO	G15_031_230	SHAMROCK (SHAMRCK1) 115/69/14.4KV TRANSFORMER CKT 1	66	0.01334	100.3242	STLN-DEMARC6 - SWEETWATER 230KV CKT 1
15SP	06ALL	3	FROM->TO	G15_031_230	SHAMROCK (SHAMRCK1) 115/69/14.4KV TRANSFORMER CKT 1	67.2	0.01207	100.1964	HWRDWCK2 69.000 - JERICHO 69KV CKT 1
15SP	06ALL	3	FROM->TO	G15_031_230	SHAMROCK (SHAMRCK1) 115/69/14.4KV TRANSFORMER CKT 1	67.2	0.01207	100.1964	JERICHO - KIRBY SWITCHING STATION 115KV CKT 1
15SP	06ALL	3	FROM->TO	G15_031_230	SHAMROCK (SHAMRCK1) 115/69/14.4KV TRANSFORMER CKT 1	67.2	0.01207	100.1964	JERICHO (JERIC2WT) 115/69/14.4KV TRANSFORMER CKT 1
15WP	06ALL	3	FROM->TO	G15_031_230	SHAMROCK (SHAMRCK1) 115/69/14.4KV TRANSFORMER CKT 1	67.2	0.01207	100.1964	HWRDWCK2 69.000 - JERICHO 69KV CKT 1
15WP	06ALL	3	FROM->TO	G15_031_230	SHAMROCK (SHAMRCK1) 115/69/14.4KV TRANSFORMER CKT 1	67.2	0.01207	100.1964	JERICHO - KIRBY SWITCHING STATION 115KV CKT 1
15WP	06ALL	3	FROM->TO	G15_031_230	SHAMROCK (SHAMRCK1) 115/69/14.4KV TRANSFORMER CKT 1	67.2	0.01207	100.1964	JERICHO (JERIC2WT) 115/69/14.4KV TRANSFORMER CKT 1
20SP	06ALL	3	TO->FROM	G15_031_230	SUNSHINE CANYON - TUTTLE 138KV CKT 1	141.6	0.02206	104.6511	CIMARRON - MINCO 345KV CKT 1
20WP	06ALL	3	TO->FROM	G15_031_230	SUNSHINE CANYON - TUTTLE 138KV CKT 1	141.6	0.02206	104.6511	CIMARRON - MINCO 345KV CKT 1
15SP	06ALL	3	TO->FROM	G15_031_230	SUNSHINE CANYON - TUTTLE 138KV CKT 1	141.6	0.02343	104.0226	CIMARRON - MINCO 345KV CKT 1
15WP	06ALL	3	TO->FROM	G15_031_230	SUNSHINE CANYON - TUTTLE 138KV CKT 1	141.6	0.02343	104.0226	CIMARRON - MINCO 345KV CKT 1
20SP	06ALL	3	TO->FROM	G15_031_230	SUNSHINE CANYON - TUTTLE 138KV CKT 1	141.6	0.02206	99.9901	GRACEMONT - MINCO 345KV CKT 1
20WP	06ALL	3	TO->FROM	G15_031_230	SUNSHINE CANYON - TUTTLE 138KV CKT 1	141.6	0.02206	99.9901	GRACEMONT - MINCO 345KV CKT 1
15SP	06ALL	3	FROM->TO	G15_031_230	THOMAS TAP - WEATHERFORD 69KV CKT 1	39	0.00793	114.2821	CLINTON JUNCTION - CLINTON NATURAL GAS TAP 138KV CKT 1
15WP	06ALL	3	FROM->TO	G15_031_230	THOMAS TAP - WEATHERFORD 69KV CKT 1	39	0.00793	114.2821	CLINTON JUNCTION - CLINTON NATURAL GAS TAP 138KV CKT 1
25SP	00NR	3	FROM->TO	G15_031_230	TUCO INTERCHANGE (GE M102345) 230/115/13.2KV TRANSFORMER CKT 1	245.5	0.00503	118.9853	TUCO INTERCHANGE (ENRCO 136401) 230/115/13.2KV TRANSFORMER CKT 2
25SP	00NR	3	FROM->TO	G15_031_230	TUCO INTERCHANGE (GE M102345) 230/115/13.2KV TRANSFORMER CKT 1	249.3	0.00503	117.0112	TUCO INTERCHANGE (ENRCO 136401) 230/115/13.2KV TRANSFORMER CKT 2
15G	06ALL	3	FROM->TO	G15_031_230	TUCO INTERCHANGE (GE M1022338) 345/230/13.2KV TRANSFORMER CKT 1	555.2	0.16238	101.4975	TUCO INTERCHANGE (SIEM 8743066) 345/230/13.2KV TRANSFORMER CKT 2
15G	06ALL	3	FROM->TO	G15_031_230	TUCO INTERCHANGE (GE M1022338) 345/230/13.2KV TRANSFORMER CKT 1	557.4	0.16238	101.043	TUCO INTERCHANGE (SIEM 8743066) 345/230/13.2KV TRANSFORMER CKT 2
15G	06ALL	3	FROM->TO	G15_031_230	WICHITA (WICH TX-12) 345/138/13.8KV TRANSFORMER CKT 1	413.2	0.01229	106.6878	WICHITA (WICH TX-11) 345/138/13.8KV TRANSFORMER CKT 1
15G	06ALL	3	FROM->TO	G15_031_230	WICHITA (WICH TX-12) 345/138/13.8KV TRANSFORMER CKT 1	419.7	0.01229	104.8925	WICHITA (WICH TX-11) 345/138/13.8KV TRANSFORMER CKT 1
25SP	00NR	3	FROM->TO	G15_031_230	WOLFFORTH INTERCHANGE (WH 7001668) 230/115/13.2KV TRANSFORMER CKT 1	140.3	0.02018	100.8225	CARLISLE INTERCHANGE - LP-DOUD_TP 3115.00 115KV CKT 1
25SP	00NR	3	FROM->TO	G15_031_230	WOLFFORTH INTERCHANGE (WH 7001668) 230/115/13.2KV TRANSFORMER CKT 1	140.3	0.00728	100.4875	CARLISLE INTERCHANGE (CARLISLE_XF) 230/115/13.2KV TRANSFORMER CKT 1
15G	06ALL	3	FROM->TO	G15_031_230	WOODWARD (WOODWRD2) 138/69/13.2KV TRANSFORMER CKT 1	133.3	0.01043	100.0405	FPL SWITCH - MOORELAND 138KV CKT 1
25SP	00NR	4	TO->FROM	G15_031_230	LUBBOCK POWER & LIGHT-CO-OP - LUBBOCK POWER & LIGHT-SLATON 69KV CKT 1	53.5	0.00696	154.3701	LUBBOCK POWER & LIGHT-CO-OP - LUBBOCK POWER & LIGHT-WADSWORTH 69KV CKT 1
20SP	00NR	4	TO->FROM	G15_031_230	LUBBOCK POWER & LIGHT-CO-OP - LUBBOCK POWER & LIGHT-SLATON 69KV CKT 1	53.6	0.00972	138.2761	LUBBOCK POWER & LIGHT-CO-OP - LUBBOCK POWER & LIGHT-WADSWORTH 69KV CKT 1
15SP	00NR	4	TO->FROM	G15_031_230	LUBBOCK POWER & LIGHT-CO-OP - LUBBOCK POWER & LIGHT-SLATON 69KV CKT 1	53.9	0.00934	115.2171	LUBBOCK POWER & LIGHT-CO-OP - LUBBOCK POWER & LIGHT-WADSWORTH 69KV CKT 1
20WP	00NR	4	TO->FROM	G15_031_230	LUBBOCK POWER & LIGHT-CO-OP - LUBBOCK POWER & LIGHT-SLATON 69KV CKT 1	53.9	0.01591	105.3302	LUBBOCK POWER & LIGHT-CO-OP - LUBBOCK POWER & LIGHT-WADSWORTH 69KV CKT 1
25SP	00NR	4	TO->FROM	G15_031_230	LUBBOCK POWER & LIGHT-CO-OP - LUBBOCK POWER & LIGHT-WADSWORTH 69KV CKT 1	105.6	0.00687	126.857	BASE CASE
25SP	00NR	4	TO->FROM	G15_031_230	LUBBOCK POWER & LIGHT-CO-OP - LUBBOCK POWER & LIGHT-WADSWORTH 69KV CKT 1	141.2	0.00836	125.4306	LUBBOCK POWER & LIGHT-SLATON - LUBBOCK POWER & LIGHT-SOUTHEAST 69KV CKT 1
25SP	00NR	4	TO->FROM	G15_031_230	LUBBOCK POWER & LIGHT-CO-OP - LUBBOCK POWER & LIGHT-WADSWORTH 69KV CKT 1	141.2	0.00915	115.9667	LUBBOCK POWER & LIGHT-SOUTHEAST - LUBBOCK SOUTH INTERCHANGE 230KV CKT 1
25SP	00NR	4	TO->FROM	G15_031_230	LUBBOCK POWER & LIGHT-CO-OP - LUBBOCK POWER & LIGHT-WADSWORTH 69KV CKT 1	141.2	0.00865	114.2316	LUBBOCK POWER & LIGHT-HOLLY GEN - LUBBOCK POWER & LIGHT-NORTHEAST 69KV CKT 1
20SP	00NR	4	TO->FROM	G15_031_230	LUBBOCK POWER & LIGHT-CO-OP - LUBBOCK POWER & LIGHT-WADSWORTH 69KV CKT 1	108	0.00953	113.5732	BASE CASE
20SP	00NR	4	TO->FROM	G15_031_230	LUBBOCK POWER & LIGHT-CO-OP - LUBBOCK POWER & LIGHT-WADSWORTH 69KV CKT 1	143	0.01152	113.3259	LUBBOCK POWER & LIGHT-SLATON - LUBBOCK POWER & LIGHT-SOUTHEAST 69KV CKT 1
25SP	00NR	4	TO->FROM	G15_031_230	LUBBOCK POWER & LIGHT-CO-OP - LUBBOCK POWER & LIGHT-WADSWORTH 69KV CKT 1	141.2	0.009	111.0482	CARLISLE INTERCHANGE - LUBBOCK POWER & LIGHT-MILWAUKEE 230KV CKT 1

SEASON	GROUP	SCENARIO	DIRECTION	SOURCE	MONITORED ELEMENT	RATE (MVA)	TDF	CONTINGENCY LOADING %	CONTINGENCY
25SP	00NR		4 TO->FROM	G15_031_230	LUBBOCK POWER & LIGHT-CO-OP - LUBBOCK POWER & LIGHT-WADSWORTH 69KV CKT 1	141.2	0.009	110.9773	LUBBOCK POWER & LIGHT-MILWAUKEE (M-E C0681251) 230/69/13.5KV TRANSFORMER CKT 1
25SP	00NR		4 TO->FROM	G15_031_230	LUBBOCK POWER & LIGHT-CO-OP - LUBBOCK POWER & LIGHT-WADSWORTH 69KV CKT 1	141.2	0.009	110.9773	SPP-SWPS-K39
15SP	00NR		4 TO->FROM	G15_031_230	LUBBOCK POWER & LIGHT-CO-OP - LUBBOCK POWER & LIGHT-WADSWORTH 69KV CKT 1	108	0.01017	109.5843	BASE CASE
25SP	00NR		4 TO->FROM	G15_031_230	LUBBOCK POWER & LIGHT-CO-OP - LUBBOCK POWER & LIGHT-WADSWORTH 69KV CKT 1	141.2	0.00712	108.7365	LUBBOCK POWER & LIGHT-OLIVER - LUBBOCK POWER & LIGHT-SOUTHEAST 69KV CKT 1
15SP	00NR		4 TO->FROM	G15_031_230	LUBBOCK POWER & LIGHT-CO-OP - LUBBOCK POWER & LIGHT-WADSWORTH 69KV CKT 1	143	0.01165	104.472	LUBBOCK POWER & LIGHT-SLATON - LUBBOCK POWER & LIGHT-SOUTHEAST 69KV CKT 1
25SP	00NR		4 TO->FROM	G15_031_230	LUBBOCK POWER & LIGHT-CO-OP - LUBBOCK POWER & LIGHT-WADSWORTH 69KV CKT 1	141.2	0.00865	103.3959	LUBBOCK POWER & LIGHT-MACKENZIE GEN - LUBBOCK POWER & LIGHT-NORTHEAST 69KV CKT 1
20SP	00NR		4 TO->FROM	G15_031_230	LUBBOCK POWER & LIGHT-CO-OP - LUBBOCK POWER & LIGHT-WADSWORTH 69KV CKT 1	143	0.01184	103.3231	LUBBOCK POWER & LIGHT-HOLLY GEN - LUBBOCK POWER & LIGHT-NORTHEAST 69KV CKT 1
20SP	00NR		4 TO->FROM	G15_031_230	LUBBOCK POWER & LIGHT-CO-OP - LUBBOCK POWER & LIGHT-WADSWORTH 69KV CKT 1	143	0.01322	103.2629	LUBBOCK POWER & LIGHT-SOUTHEAST - LUBBOCK SOUTH INTERCHANGE 230KV CKT 1
25SP	00NR		4 TO->FROM	G15_031_230	LUBBOCK POWER & LIGHT-CO-OP - LUBBOCK POWER & LIGHT-WADSWORTH 69KV CKT 1	141.2	0.00772	102.7734	LUBBOCK POWER & LIGHT-SOUTHEAST (ABB 60258) 230/69/13.5KV TRANSFORMER CKT 1
25SP	00NR		4 TO->FROM	G15_031_230	LUBBOCK POWER & LIGHT-CO-OP - LUBBOCK POWER & LIGHT-WADSWORTH 69KV CKT 1	141.2	0.00767	102.267	LUBBOCK POWER & LIGHT-SOUTHEAST (FRM WADSWRTH) 230/69/13.5KV TRANSFORMER CKT 2
25SP	00NR		4 TO->FROM	G15_031_230	LUBBOCK POWER & LIGHT-CO-OP - LUBBOCK POWER & LIGHT-WADSWORTH 69KV CKT 1	141.2	0.00718	101.5255	LUBBOCK POWER & LIGHT-CHALKER - LUBBOCK POWER & LIGHT-THOMPSON 69KV CKT 1
25SP	00NR		4 TO->FROM	G15_031_230	LUBBOCK POWER & LIGHT-CO-OP - LUBBOCK POWER & LIGHT-WADSWORTH 69KV CKT 1	141.2	0.00628	100.8385	LUBBOCK POWER & LIGHT-HOLLY GEN - LUBBOCK POWER & LIGHT-SOUTHEAST 69KV CKT 1
25SP	00NR		4 TO->FROM	G15_031_230	LUBBOCK POWER & LIGHT-CO-OP - LUBBOCK POWER & LIGHT-WADSWORTH 69KV CKT 1	141.2	0.00712	100.4504	LUBBOCK POWER & LIGHT-CHALKER - LUBBOCK POWER & LIGHT-OLIVER 69KV CKT 1
25SP	00NR		4 TO->FROM	G15_031_230	LUBBOCK POWER & LIGHT-SLATON - LUBBOCK POWER & LIGHT-SOUTHEAST 69KV CKT 1	143	0.00712	121.1441	LUBBOCK POWER & LIGHT-CO-OP - LUBBOCK POWER & LIGHT-WADSWORTH 69KV CKT 1
20SP	00NR		4 TO->FROM	G15_031_230	LUBBOCK POWER & LIGHT-SLATON - LUBBOCK POWER & LIGHT-SOUTHEAST 69KV CKT 1	142.8	0.0097	110.7913	LUBBOCK POWER & LIGHT-CO-OP - LUBBOCK POWER & LIGHT-WADSWORTH 69KV CKT 1
20SP	00NR		4 TO->FROM	G15_031_230	LUBBOCK POWER & LIGHT-SLATON - LUBBOCK POWER & LIGHT-SOUTHEAST 69KV CKT 1	142.8	0.00584	109	LUBBOCK POWER & LIGHT-OLIVER - LUBBOCK POWER & LIGHT-SOUTHEAST 69KV CKT 1
25SP	00NR		4 FROM->TO	G15_031_230	TUCO INTERCHANGE (GE M102345) 230/115/13.2KV TRANSFORMER CKT 1	245.5	0.00503	118.9853	TUCO INTERCHANGE (ENRCO 136401) 230/115/13.2KV TRANSFORMER CKT 2
25SP	00NR		4 FROM->TO	G15_031_230	TUCO INTERCHANGE (GE M102345) 230/115/13.2KV TRANSFORMER CKT 1	249.3	0.00503	117.0112	TUCO INTERCHANGE (ENRCO 136401) 230/115/13.2KV TRANSFORMER CKT 2
25SP	00NR		4 FROM->TO	G15_031_230	WOLFFORTH INTERCHANGE (WH 7001668) 230/115/13.2KV TRANSFORMER CKT 1	140.3	0.02018	100.8225	CARLISLE INTERCHANGE - LP-DOUD_TP 3115.00 115KV CKT 1
25SP	00NR		4 FROM->TO	G15_031_230	WOLFFORTH INTERCHANGE (WH 7001668) 230/115/13.2KV TRANSFORMER CKT 1	140.3	0.00728	100.4875	CARLISLE INTERCHANGE (CARLISLE_XF) 230/115/13.2KV TRANSFORMER CKT 1
20SP	06ALL		0 FROM->TO	G15_032_115	ANADARKO - CORN TAP 138KV CKT 1	142.8	0.01475	100.2213	CIMARRON - MINCO 345KV CKT 1
20WP	06ALL		0 FROM->TO	G15_032_115	ANADARKO - CORN TAP 138KV CKT 1	142.8	0.01475	100.2213	CIMARRON - MINCO 345KV CKT 1
15G	06ALL		0 TO->FROM	G15_032_115	ANADARKO - GRACMNT4 138.00 138KV CKT 1	225.1	0.05329	127.6677	CIMARRON - MINCO 345KV CKT 1
15G	06ALL		0 TO->FROM	G15_032_115	ANADARKO - GRACMNT4 138.00 138KV CKT 1	225.1	0.05329	119.4936	GRACEMONT - MINCO 345KV CKT 1
15G	06ALL		0 TO->FROM	G15_032_115	ANADARKO - GRACMNT4 138.00 138KV CKT 1	225.1	0.03029	106.964	SOUTHWESTERN STATION - WASHITA 138KV CKT 1
15SP	06ALL		0 FROM->TO	G15_032_115	BENTLEY4 138.00 - HALSTEAD SOUTH BUS 138KV CKT 1	142.2	0.00691	108.2771	RENO COUNTY - WICHITA 345KV CKT 1
15WP	06ALL		0 FROM->TO	G15_032_115	BENTLEY4 138.00 - HALSTEAD SOUTH BUS 138KV CKT 1	142.2	0.00691	108.2771	RENO COUNTY - WICHITA 345KV CKT 1
20SP	06ALL		0 FROM->TO	G15_032_115	CLEARWATER - GILL ENERGY CENTER WEST 138KV CKT 1	142.2	0.01391	102.4191	GILL ENERGY CENTER SOUTH - VIOLA 4 138.00 138KV CKT 1
20WP	06ALL		0 FROM->TO	G15_032_115	CLEARWATER - GILL ENERGY CENTER WEST 138KV CKT 1	142.2	0.01391	102.4191	GILL ENERGY CENTER SOUTH - VIOLA 4 138.00 138KV CKT 1
15SP	06ALL		0 TO->FROM	G15_032_115	CLINTON CITY - FOSS TAP 69KV CKT 1	74.5	0.00796	103.4416	CLINTON JUNCTION - CLINTON NATURAL GAS TAP 138KV CKT 1
15WP	06ALL		0 TO->FROM	G15_032_115	CLINTON CITY - FOSS TAP 69KV CKT 1	74.5	0.00796	103.4416	CLINTON JUNCTION - CLINTON NATURAL GAS TAP 138KV CKT 1
15SP	06ALL		0 FROM->TO	G15_032_115	CLINTON CITY - THOMAS TAP 69KV CKT 1	38.9	0.00796	125.6144	CLINTON JUNCTION - CLINTON NATURAL GAS TAP 138KV CKT 1
15WP	06ALL		0 FROM->TO	G15_032_115	CLINTON CITY - THOMAS TAP 69KV CKT 1	38.9	0.00796	125.6144	CLINTON JUNCTION - CLINTON NATURAL GAS TAP 138KV CKT 1
20SP	06ALL		0 FROM->TO	G15_032_115	CLINTON CITY - THOMAS TAP 69KV CKT 1	39	0.00759	102.9436	CLINTON JUNCTION - CLINTON NATURAL GAS TAP 138KV CKT 1
20WP	06ALL		0 FROM->TO	G15_032_115	CLINTON CITY - THOMAS TAP 69KV CKT 1	39	0.00759	102.9436	CLINTON JUNCTION - CLINTON NATURAL GAS TAP 138KV CKT 1
15G	06ALL		0 FROM->TO	G15_032_115	CLINTON CITY - THOMAS TAP 69KV CKT 1	47.9	0.00774	101.1106	CLINTON JUNCTION - CLINTON NATURAL GAS TAP 138KV CKT 1
15SP	06ALL		0 TO->FROM	G15_032_115	CLINTON JUNCTION - ELK CITY 138KV CKT 1	148.8	0.04299	140.629	CHISHOLM7 345.00 - GRACEMONT 345KV CKT 1
15WP	06ALL		0 TO->FROM	G15_032_115	CLINTON JUNCTION - ELK CITY 138KV CKT 1	148.8	0.04299	140.629	CHISHOLM7 345.00 - GRACEMONT 345KV CKT 1
15G	06ALL		0 TO->FROM	G15_032_115	CLINTON JUNCTION - ELK CITY 138KV CKT 1	185.1	0.04154	124.094	CHISHOLM7 345.00 - GRACEMONT 345KV CKT 1
15SP	06ALL		0 TO->FROM	G15_032_115	CLINTON JUNCTION - ELK CITY 138KV CKT 1	148.8	0.0362	122.875	G14-074T 345.00 - OKLAUNION 345KV CKT 1
15WP	06ALL		0 TO->FROM	G15_032_115	CLINTON JUNCTION - ELK CITY 138KV CKT 1	148.8	0.0362	122.875	G14-074T 345.00 - OKLAUNION 345KV CKT 1
15SP	06ALL		0 TO->FROM	G15_032_115	CLINTON JUNCTION - ELK CITY 138KV CKT 1	148.8	0.02223	120.3481	ONEY - WASHITA 138KV CKT 1
15WP	06ALL		0 TO->FROM	G15_032_115	CLINTON JUNCTION - ELK CITY 138KV CKT 1	148.8	0.02223	120.3481	ONEY - WASHITA 138KV CKT 1
15SP	06ALL		0 TO->FROM	G15_032_115	CLINTON JUNCTION - ELK CITY 138KV CKT 1	148.8	0.0362	118.8427	G14-074T 345.00 - TUCO INTERCHANGE 345KV CKT 1
15WP	06ALL		0 TO->FROM	G15_032_115	CLINTON JUNCTION - ELK CITY 138KV CKT 1	148.8	0.0362	118.8427	G14-074T 345.00 - TUCO INTERCHANGE 345KV CKT 1
15SP	06ALL		0 TO->FROM	G15_032_115	CLINTON JUNCTION - ELK CITY 138KV CKT 1	148.8	0.03294	118.0914	NORTHWEST - TATONGA7 345.00 345KV CKT 1
15WP	06ALL		0 TO->FROM	G15_032_115	CLINTON JUNCTION - ELK CITY 138KV CKT 1	148.8	0.03294	118.0914	NORTHWEST - TATONGA7 345.00 345KV CKT 1
15SP	06ALL		0 TO->FROM	G15_032_115	CLINTON JUNCTION - ELK CITY 138KV CKT 1	148.8	0.02223	117.7943	BINGER NIJECT - ONEY 138KV CKT 1
15WP	06ALL		0 TO->FROM	G15_032_115	CLINTON JUNCTION - ELK CITY 138KV CKT 1	148.8	0.02223	117.7943	BINGER NIJECT - ONEY 138KV CKT 1
15SP	06ALL		0 TO->FROM	G15_032_115	CLINTON JUNCTION - ELK CITY 138KV CKT 1	148.8	0.03294	117.621	SPSCont-05b
15WP	06ALL		0 TO->FROM	G15_032_115	CLINTON JUNCTION - ELK CITY 138KV CKT 1	148.8	0.03294	117.621	SPSCont-05b
15SP	06ALL		0 TO->FROM	G15_032_115	CLINTON JUNCTION - ELK CITY 138KV CKT 1	148.8	0.03294	117.2177	SPSCont-04
15WP	06ALL		0 TO->FROM	G15_032_115	CLINTON JUNCTION - ELK CITY 138KV CKT 1	148.8	0.03294	117.2177	SPSCont-04
15SP	06ALL		0 TO->FROM	G15_032_115	CLINTON JUNCTION - ELK CITY 138KV CKT 1	148.8	0.03348	117.0444	DBL-THIS-WWRD

SEASON	GROUP	SCENARIO	DIRECTION	SOURCE	MONITORED ELEMENT	RATE	CONTINGENCY		CONTINGENCY
						(MVA)	TDF	LOADING %	
15WP	06ALL	0	TO->FROM	G15_032_115	CLINTON JUNCTION - ELK CITY 138KV CKT 1	148.8	0.03348	117.0444	DBL-THIS-WWRD
15SP	06ALL	0	TO->FROM	G15_032_115	CLINTON JUNCTION - ELK CITY 138KV CKT 1	132.4	0.029	116.1435	BASE CASE
15WP	06ALL	0	TO->FROM	G15_032_115	CLINTON JUNCTION - ELK CITY 138KV CKT 1	132.4	0.029	116.1435	BASE CASE
15SP	06ALL	0	TO->FROM	G15_032_115	CLINTON JUNCTION - ELK CITY 138KV CKT 1	148.8	0.03291	115.5927	CLINTON AIR FORCE BASE TAP - ELK CITY 138KV CKT 1
15WP	06ALL	0	TO->FROM	G15_032_115	CLINTON JUNCTION - ELK CITY 138KV CKT 1	148.8	0.03291	115.5927	CLINTON AIR FORCE BASE TAP - ELK CITY 138KV CKT 1
15SP	06ALL	0	TO->FROM	G15_032_115	CLINTON JUNCTION - ELK CITY 138KV CKT 1	148.8	0.03571	115.371	CHISHOLM7 345.00 - WOODWARD DISTRICT EHV 345KV CKT 1
15WP	06ALL	0	TO->FROM	G15_032_115	CLINTON JUNCTION - ELK CITY 138KV CKT 1	148.8	0.03571	115.371	CHISHOLM7 345.00 - WOODWARD DISTRICT EHV 345KV CKT 1
15SP	06ALL	0	TO->FROM	G15_032_115	CLINTON JUNCTION - ELK CITY 138KV CKT 1	148.8	0.03291	114.7191	CLINTON AIR FORCE BASE TAP - HOBART JUNCTION 138KV CKT 1
15WP	06ALL	0	TO->FROM	G15_032_115	CLINTON JUNCTION - ELK CITY 138KV CKT 1	148.8	0.03291	114.7191	CLINTON AIR FORCE BASE TAP - HOBART JUNCTION 138KV CKT 1
15SP	06ALL	0	TO->FROM	G15_032_115	CLINTON JUNCTION - ELK CITY 138KV CKT 1	148.8	0.02223	113.6277	BINGER NUJCT - SICKLES 138KV CKT 1
15WP	06ALL	0	TO->FROM	G15_032_115	CLINTON JUNCTION - ELK CITY 138KV CKT 1	148.8	0.02223	113.6277	BINGER NUJCT - SICKLES 138KV CKT 1
15SP	06ALL	0	TO->FROM	G15_032_115	CLINTON JUNCTION - ELK CITY 138KV CKT 1	148.8	0.03294	113.5215	G11_051T 345.00 - TATONGA7 345.00 345KV CKT 1
15WP	06ALL	0	TO->FROM	G15_032_115	CLINTON JUNCTION - ELK CITY 138KV CKT 1	148.8	0.03294	113.5215	G11_051T 345.00 - TATONGA7 345.00 345KV CKT 1
15SP	06ALL	0	TO->FROM	G15_032_115	CLINTON JUNCTION - ELK CITY 138KV CKT 1	148.8	0.02223	113.0228	CLINTON JUNCTION - G07-32T 138.00 138KV CKT 1
15WP	06ALL	0	TO->FROM	G15_032_115	CLINTON JUNCTION - ELK CITY 138KV CKT 1	148.8	0.02223	113.0228	CLINTON JUNCTION - G07-32T 138.00 138KV CKT 1
15SP	06ALL	0	TO->FROM	G15_032_115	CLINTON JUNCTION - ELK CITY 138KV CKT 1	148.8	0.029	112.8857	G07-32 138.00 - G07-32T 138.00 138KV CKT 1
15WP	06ALL	0	TO->FROM	G15_032_115	CLINTON JUNCTION - ELK CITY 138KV CKT 1	148.8	0.029	112.8857	G07-32 138.00 138/34.5KV TRANSFORMER CKT 1
15SP	06ALL	0	TO->FROM	G15_032_115	CLINTON JUNCTION - ELK CITY 138KV CKT 1	148.8	0.029	112.8857	G07-32 34.500 34.5/12.0KV TRANSFORMER CKT 1
15WP	06ALL	0	TO->FROM	G15_032_115	CLINTON JUNCTION - ELK CITY 138KV CKT 1	148.8	0.029	112.8857	G07-32 138.00 - G07-32T 138.00 138KV CKT 1
15WP	06ALL	0	TO->FROM	G15_032_115	CLINTON JUNCTION - ELK CITY 138KV CKT 1	148.8	0.029	112.8857	G07-32 138.00 138/34.5KV TRANSFORMER CKT 1
15WP	06ALL	0	TO->FROM	G15_032_115	CLINTON JUNCTION - ELK CITY 138KV CKT 1	148.8	0.029	112.8857	G07-32 34.500 34.5/12.0KV TRANSFORMER CKT 1
15SP	06ALL	0	TO->FROM	G15_032_115	CLINTON JUNCTION - ELK CITY 138KV CKT 1	148.8	0.029	111.4745	WASHITA - WEATHERFORD WIND FARM 34 KV 34.5KV CKT 1
15WP	06ALL	0	TO->FROM	G15_032_115	CLINTON JUNCTION - ELK CITY 138KV CKT 1	148.8	0.029	111.4745	WASHITA - WEATHERFORD WIND FARM 34 KV 34.5KV CKT 1
20SP	06ALL	0	TO->FROM	G15_032_115	CLINTON JUNCTION - ELK CITY 138KV CKT 1	151.1	0.04264	109.4322	CHISHOLM7 345.00 - GRACEMONT 345KV CKT 1
20WP	06ALL	0	TO->FROM	G15_032_115	CLINTON JUNCTION - ELK CITY 138KV CKT 1	151.1	0.04264	109.4322	CHISHOLM7 345.00 - GRACEMONT 345KV CKT 1
20SP	06ALL	0	TO->FROM	G15_032_115	CLINTON JUNCTION - ELK CITY 138KV CKT 1	151.1	0.02211	106.4937	ONEY - WASHITA 138KV CKT 1
20WP	06ALL	0	TO->FROM	G15_032_115	CLINTON JUNCTION - ELK CITY 138KV CKT 1	151.1	0.02211	106.4937	ONEY - WASHITA 138KV CKT 1
15G	06ALL	0	TO->FROM	G15_032_115	CLINTON JUNCTION - ELK CITY 138KV CKT 1	185.1	0.03489	105.812	G14-074T 345.00 - OKLAUNION 345KV CKT 1
20SP	06ALL	0	TO->FROM	G15_032_115	CLINTON JUNCTION - ELK CITY 138KV CKT 1	151.1	0.02211	103.9126	BINGER NUJCT - ONEY 138KV CKT 1
20WP	06ALL	0	TO->FROM	G15_032_115	CLINTON JUNCTION - ELK CITY 138KV CKT 1	151.1	0.02211	103.9126	BINGER NUJCT - ONEY 138KV CKT 1
15G	06ALL	0	TO->FROM	G15_032_115	CLINTON JUNCTION - ELK CITY 138KV CKT 1	185.1	0.03489	102.6786	G14-074T 345.00 - TUCO INTERCHANGE 345KV CKT 1
15G	06ALL	0	TO->FROM	G15_032_115	CLINTON JUNCTION - ELK CITY 138KV CKT 1	185.1	0.03185	102.362	NORTHWEST - TATONGA7 345.00 345KV CKT 1
15G	06ALL	0	TO->FROM	G15_032_115	CLINTON JUNCTION - ELK CITY 138KV CKT 1	185.1	0.03185	101.9838	SPSCont-05b
15G	06ALL	0	TO->FROM	G15_032_115	CLINTON JUNCTION - ELK CITY 138KV CKT 1	185.1	0.03185	101.6596	SPSCont-04
15G	06ALL	0	TO->FROM	G15_032_115	CLINTON JUNCTION - ELK CITY 138KV CKT 1	185.1	0.03166	101.5505	CLINTON AIR FORCE BASE TAP - ELK CITY 138KV CKT 1
15G	06ALL	0	TO->FROM	G15_032_115	CLINTON JUNCTION - ELK CITY 138KV CKT 1	185.1	0.03166	100.9562	CLINTON AIR FORCE BASE TAP - HOBART JUNCTION 138KV CKT 1
15G	06ALL	0	TO->FROM	G15_032_115	CLINTON JUNCTION - ELK CITY 138KV CKT 1	185.1	0.03454	100.2636	CHISHOLM7 345.00 - WOODWARD DISTRICT EHV 345KV CKT 1
15G	06ALL	0	TO->FROM	G15_032_115	CLINTON JUNCTION - ELK CITY 138KV CKT 1	185.1	0.03226	100.0194	DBL-THIS-WWRD
15SP	06ALL	0	FROM->TO	G15_032_115	CLINTON JUNCTION - FOSS TAP 69KV CKT 1	74.7	0.00796	104.3695	CLINTON JUNCTION - CLINTON NATURAL GAS TAP 138KV CKT 1
15WP	06ALL	0	FROM->TO	G15_032_115	CLINTON JUNCTION - FOSS TAP 69KV CKT 1	74.7	0.00796	104.3695	CLINTON JUNCTION - CLINTON NATURAL GAS TAP 138KV CKT 1
15SP	06ALL	0	TO->FROM	G15_032_115	COMANCHE TAP - TOSCO 69KV CKT 1	39	0.00562	103.8974	G14-057T 345.00 - SUNNYSIDE 345KV CKT 1
15WP	06ALL	0	TO->FROM	G15_032_115	COMANCHE TAP - TOSCO 69KV CKT 1	39	0.00562	103.8974	G14-057T 345.00 - SUNNYSIDE 345KV CKT 1
15SP	06ALL	0	TO->FROM	G15_032_115	COMANCHE TAP - TOSCO 69KV CKT 1	39	0.00562	101.0769	G14-057T 345.00 - LAWTON EASTSIDE 345KV CKT 1
15WP	06ALL	0	TO->FROM	G15_032_115	COMANCHE TAP - TOSCO 69KV CKT 1	39	0.00562	101.0769	G14-057T 345.00 - LAWTON EASTSIDE 345KV CKT 1
15SP	06ALL	0	FROM->TO	G15_032_115	DUNCAN - TOSCO 69KV CKT 1	38.9	0.00562	108.2776	G14-057T 345.00 - SUNNYSIDE 345KV CKT 1
15WP	06ALL	0	FROM->TO	G15_032_115	DUNCAN - TOSCO 69KV CKT 1	38.9	0.00562	108.2776	G14-057T 345.00 - SUNNYSIDE 345KV CKT 1
15SP	06ALL	0	FROM->TO	G15_032_115	DUNCAN - TOSCO 69KV CKT 1	38.9	0.00562	105.7069	G14-057T 345.00 - LAWTON EASTSIDE 345KV CKT 1
15WP	06ALL	0	FROM->TO	G15_032_115	DUNCAN - TOSCO 69KV CKT 1	38.9	0.00562	105.7069	G14-057T 345.00 - LAWTON EASTSIDE 345KV CKT 1
15SP	06ALL	0	TO->FROM	G15_032_115	EARLSBORO 4138.00 - MAUD 138KV CKT 1	97.7	0.00719	106.0778	MAUD (MAUD1) 138/69/13.2KV TRANSFORMER CKT 1
15WP	06ALL	0	TO->FROM	G15_032_115	EARLSBORO 4138.00 - MAUD 138KV CKT 1	97.7	0.00719	106.0778	MAUD (MAUD1) 138/69/13.2KV TRANSFORMER CKT 1
15SP	06ALL	0	TO->FROM	G15_032_115	EARLSBORO 4138.00 - MAUD 138KV CKT 1	97.7	0.00699	101.042	CANADIAN RIVER - MCALESTER SOUTH 138KV CKT 1
15SP	06ALL	0	TO->FROM	G15_032_115	EARLSBORO 4138.00 - MAUD 138KV CKT 1	97.7	0.00699	101.042	G14-074T 345.00 - OKLAUNION 345KV CKT 1
15WP	06ALL	0	TO->FROM	G15_032_115	EARLSBORO 4138.00 - MAUD 138KV CKT 1	97.7	0.00699	101.042	CANADIAN RIVER - MCALESTER SOUTH 138KV CKT 1
15WP	06ALL	0	TO->FROM	G15_032_115	EARLSBORO 4138.00 - MAUD 138KV CKT 1	97.7	0.00699	101.042	G14-074T 345.00 - OKLAUNION 345KV CKT 1
25SP	06ALL	0	FROM->TO	G15_032_115	EDDY_NORTH 6230.00 (WAUK WTO1134) 230/115/13.2KV TRANSFORMER CKT 2	285	0.00754	104.4196	EDDY COUNTY INTERCHANGE - EDDY_NORTH 6230.00 230KV CKT @1
25SP	06ALL	0	FROM->TO	G15_032_115	EDDY_NORTH 6230.00 (WAUK WTO1134) 230/115/13.2KV TRANSFORMER CKT 2	286.3	0.00754	103.8757	EDDY COUNTY INTERCHANGE - EDDY_NORTH 6230.00 230KV CKT @1
15G	06ALL	0	FROM->TO	G15_032_115	ELDORADO - ELDORADO JCT 69KV CKT 1	26.9	0.0089	101.5093	LAKE PAULINE - RUSSELL 138KV CKT 1
15G	06ALL	0	FROM->TO	G15_032_115	ELK CITY 230KV (ELKCTY-6) 230/138/13.8KV TRANSFORMER CKT 1	446.9	0.09644	117.0906	CHISHOLM7 345.00 - GRACEMONT 345KV CKT 1
15SP	06ALL	0	FROM->TO	G15_032_115	ELK CITY 230KV (ELKCTY-6) 230/138/13.8KV TRANSFORMER CKT 1	446.4	0.10213	117.0798	CHISHOLM7 345.00 - GRACEMONT 345KV CKT 1
15WP	06ALL	0	FROM->TO	G15_032_115	ELK CITY 230KV (ELKCTY-6) 230/138/13.8KV TRANSFORMER CKT 1	446.4	0.10213	117.0798	CHISHOLM7 345.00 - GRACEMONT 345KV CKT 1
15G	06ALL	0	FROM->TO	G15_032_115	ELK CITY 230KV (ELKCTY-6) 230/138/13.8KV TRANSFORMER CKT 1	449.3	0.09644	116.5542	CHISHOLM7 345.00 - GRACEMONT 345KV CKT 1
15SP	06ALL	0	FROM->TO	G15_032_115	ELK CITY 230KV (ELKCTY-6) 230/138/13.8KV TRANSFORMER CKT 1	449.3	0.10213	116.4353	CHISHOLM7 345.00 - GRACEMONT 345KV CKT 1
15WP	06ALL	0	FROM->TO	G15_032_115	ELK CITY 230KV (ELKCTY-6) 230/138/13.8KV TRANSFORMER CKT 1	449.3	0.10213	116.4353	CHISHOLM7 345.00 - GRACEMONT 345KV CKT 1
15SP	06ALL	0	FROM->TO	G15_032_115	ELK CITY 230KV (ELKCTY-6) 230/138/13.8KV TRANSFORMER CKT 1	446.4	0.0867	103.6725	G14-074T 345.00 - OKLAUNION 345KV CKT 1
15WP	06ALL	0	FROM->TO	G15_032_115	ELK CITY 230KV (ELKCTY-6) 230/138/13.8KV TRANSFORMER CKT 1	446.4	0.0867	103.6725	G14-074T 345.00 - OKLAUNION 345KV CKT 1

SEASON	GROUP	SCENARIO	DIRECTION	SOURCE	MONITORED ELEMENT	RATE (MVA)	TDF	CONTINGENCY	
								LOADING %	CONTINGENCY
15SP	06ALL	0	FROM->TO	G15_032_115	ELK CITY 230KV (ELKCTY-6) 230/138/13.8KV TRANSFORMER CKT 1	449.3	0.0867	103.1146	G14-074T 345.00 - OKLAUNION 345KV CKT 1
15WP	06ALL	0	FROM->TO	G15_032_115	ELK CITY 230KV (ELKCTY-6) 230/138/13.8KV TRANSFORMER CKT 1	449.3	0.0867	103.1146	G14-074T 345.00 - OKLAUNION 345KV CKT 1
15SP	06ALL	0	FROM->TO	G15_032_115	ELK CITY 230KV (ELKCTY-6) 230/138/13.8KV TRANSFORMER CKT 1	446.4	0.093	101.8544	CHISHOLM7 345.00 - WOODWARD DISTRICT EHV 345KV CKT 1
15WP	06ALL	0	FROM->TO	G15_032_115	ELK CITY 230KV (ELKCTY-6) 230/138/13.8KV TRANSFORMER CKT 1	446.4	0.093	101.8544	CHISHOLM7 345.00 - WOODWARD DISTRICT EHV 345KV CKT 1
15SP	06ALL	0	FROM->TO	G15_032_115	ELK CITY 230KV (ELKCTY-6) 230/138/13.8KV TRANSFORMER CKT 1	449.3	0.093	101.286	CHISHOLM7 345.00 - WOODWARD DISTRICT EHV 345KV CKT 1
15WP	06ALL	0	FROM->TO	G15_032_115	ELK CITY 230KV (ELKCTY-6) 230/138/13.8KV TRANSFORMER CKT 1	449.3	0.093	101.286	CHISHOLM7 345.00 - WOODWARD DISTRICT EHV 345KV CKT 1
15SP	06ALL	0	FROM->TO	G15_032_115	ELK CITY 230KV (ELKCTY-6) 230/138/13.8KV TRANSFORMER CKT 1	446.4	0.0867	100.2227	G14-074T 345.00 - TUCO INTERCHANGE 345KV CKT 1
15WP	06ALL	0	FROM->TO	G15_032_115	ELK CITY 230KV (ELKCTY-6) 230/138/13.8KV TRANSFORMER CKT 1	446.4	0.0867	100.2227	G14-074T 345.00 - TUCO INTERCHANGE 345KV CKT 1
15G	06ALL	0	FROM->TO	G15_032_115	FPL SWITCH - MOORELAND 138KV CKT 1	284.1	0.04602	119.1074	DBL-THIS-WWRD
15G	06ALL	0	FROM->TO	G15_032_115	FPL SWITCH - MOORELAND 138KV CKT 1	284.1	0.03768	111.629	NORTHWEST - TATONGA7 345.00 345KV CKT 1
15G	06ALL	0	FROM->TO	G15_032_115	FPL SWITCH - MOORELAND 138KV CKT 1	284.1	0.03768	110.0803	SPSCont-04
15G	06ALL	0	FROM->TO	G15_032_115	FPL SWITCH - MOORELAND 138KV CKT 1	284.1	0.03768	109.8339	SPSCont-05b
15G	06ALL	0	FROM->TO	G15_032_115	FPL SWITCH - MOORELAND 138KV CKT 1	284.1	0.03734	108.3337	CHISHOLM6 230.00 - ELK CITY 230KV 230KV CKT 1
15G	06ALL	0	FROM->TO	G15_032_115	FPL SWITCH - MOORELAND 138KV CKT 1	284.1	0.03734	108.3337	ELK CITY 230KV (ELKCTY-6) 230/138/13.8KV TRANSFORMER CKT 1
15G	06ALL	0	FROM->TO	G15_032_115	FPL SWITCH - MOORELAND 138KV CKT 1	284.1	0.03768	104.6244	G11_051T 345.00 - TATONGA7 345.00 345KV CKT 1
15G	06ALL	0	FROM->TO	G15_032_115	FPL SWITCH - MOORELAND 138KV CKT 1	284.1	0.03768	103.8501	G11_051T 345.00 - WOODWARD DISTRICT EHV 345KV CKT 1
15G	06ALL	0	FROM->TO	G15_032_115	FPL SWITCH - MOORELAND 138KV CKT 1	284.1	0.03768	102.1605	SPSCont-05ax
15G	06ALL	0	FROM->TO	G15_032_115	FPL SWITCH - MOORELAND 138KV CKT 1	284.1	0.02875	101.9831	WOODWARD (WOODWRD2) 138/69/13.2KV TRANSFORMER CKT 1
15G	06ALL	0	TO->FROM	G15_032_115	FPL SWITCH - WOODWARD 138KV CKT 1	285.2	0.04602	112.2665	DBL-THIS-WWRD
15G	06ALL	0	TO->FROM	G15_032_115	FPL SWITCH - WOODWARD 138KV CKT 1	285.2	0.03768	104.852	NORTHWEST - TATONGA7 345.00 345KV CKT 1
15G	06ALL	0	TO->FROM	G15_032_115	FPL SWITCH - WOODWARD 138KV CKT 1	285.2	0.03768	103.3092	SPSCont-04
15G	06ALL	0	TO->FROM	G15_032_115	FPL SWITCH - WOODWARD 138KV CKT 1	285.2	0.03768	103.0638	SPSCont-05b
15G	06ALL	0	TO->FROM	G15_032_115	FPL SWITCH - WOODWARD 138KV CKT 1	285.2	0.03734	101.5694	CHISHOLM6 230.00 - ELK CITY 230KV 230KV CKT 1
15G	06ALL	0	TO->FROM	G15_032_115	FPL SWITCH - WOODWARD 138KV CKT 1	285.2	0.03734	101.5694	ELK CITY 230KV (ELKCTY-6) 230/138/13.8KV TRANSFORMER CKT 1
15SP	06ALL	0	TO->FROM	G15_032_115	GLASS MOUNTAIN - MOORELAND 138KV CKT 1	122.3	0.02076	109.2314	DBL-THIS-WWRD
15WP	06ALL	0	TO->FROM	G15_032_115	GLASS MOUNTAIN - MOORELAND 138KV CKT 1	122.3	0.02076	109.2314	DBL-THIS-WWRD
15SP	06ALL	0	TO->FROM	G15_032_115	GLASS MOUNTAIN - MOORELAND 138KV CKT 1	122.3	0.01599	100.5184	MOORELAND - NOEL_SW 138.00 138KV CKT 1
15WP	06ALL	0	TO->FROM	G15_032_115	GLASS MOUNTAIN - MOORELAND 138KV CKT 1	122.3	0.01599	100.5184	MOORELAND - NOEL_SW 138.00 138KV CKT 1
15G	06ALL	0	FROM->TO	G15_032_115	Harrington Station East Bus - POTTER COUNTY INTERCHANGE 230KV CKT 1	346.8	0.09726	116.7688	CHERRY1 - HARRINGTON STATION 230KV CKT 1
15G	06ALL	0	FROM->TO	G15_032_115	Harrington Station East Bus - POTTER COUNTY INTERCHANGE 230KV CKT 1	346.8	0.11634	114.5277	CHERRY1 - POTTER COUNTY INTERCHANGE 230KV CKT 1
15G	06ALL	0	TO->FROM	G15_032_115	HAYS PLANT - SOUTH HAYS 115KV CKT 1	98.9	0.00607	115.3812	KNOLL 230 - POSTROCK6 230.00 230KV CKT 1
15SP	06ALL	0	FROM->TO	G15_032_115	HAYS PLANT - VINE STREET 115KV CKT 1	88	0.00582	116.8955	KNOLL 230 - POSTROCK6 230.00 230KV CKT 1
15WP	06ALL	0	FROM->TO	G15_032_115	HAYS PLANT - VINE STREET 115KV CKT 1	88	0.00582	116.8955	KNOLL 230 - POSTROCK6 230.00 230KV CKT 1
15G	06ALL	0	FROM->TO	G15_032_115	HAYS PLANT - VINE STREET 115KV CKT 1	87.9	0.00607	105.9295	KNOLL 230 - POSTROCK6 230.00 230KV CKT 1
15SP	06ALL	0	FROM->TO	G15_032_115	JERICHO (JERIC2WT) 115/69/14.4KV TRANSFORMER CKT 1	45.6	0.00709	106.9737	KIRBY SWITCHING STATION - MCCLELLAN SUB 115KV CKT 1
15WP	06ALL	0	FROM->TO	G15_032_115	JERICHO (JERIC2WT) 115/69/14.4KV TRANSFORMER CKT 1	45.6	0.00709	106.9737	KIRBY SWITCHING STATION - MCCLELLAN SUB 115KV CKT 1
15SP	06ALL	0	FROM->TO	G15_032_115	JERICHO (JERIC2WT) 115/69/14.4KV TRANSFORMER CKT 1	45.9	0.00709	106.2745	KIRBY SWITCHING STATION - MCCLELLAN SUB 115KV CKT 1
15WP	06ALL	0	FROM->TO	G15_032_115	JERICHO (JERIC2WT) 115/69/14.4KV TRANSFORMER CKT 1	45.9	0.00709	106.2745	KIRBY SWITCHING STATION - MCCLELLAN SUB 115KV CKT 1
15SP	06ALL	0	FROM->TO	G15_032_115	JERICHO (JERIC2WT) 115/69/14.4KV TRANSFORMER CKT 1	45.6	0.00709	105.6579	MCCLELLAN SUB - MCLEAN RURAL SUB 115KV CKT 1
15WP	06ALL	0	FROM->TO	G15_032_115	JERICHO (JERIC2WT) 115/69/14.4KV TRANSFORMER CKT 1	45.6	0.00709	105.6579	MCCLELLAN SUB - MCLEAN RURAL SUB 115KV CKT 1
15SP	06ALL	0	FROM->TO	G15_032_115	JERICHO (JERIC2WT) 115/69/14.4KV TRANSFORMER CKT 1	45.9	0.00709	104.9673	MCCLELLAN SUB - MCLEAN RURAL SUB 115KV CKT 1
15WP	06ALL	0	FROM->TO	G15_032_115	JERICHO (JERIC2WT) 115/69/14.4KV TRANSFORMER CKT 1	45.9	0.00709	104.9673	MCCLELLAN SUB - MCLEAN RURAL SUB 115KV CKT 1
15G	06ALL	0	FROM->TO	G15_032_115	JERICHO (JERIC2WT) 115/69/14.4KV TRANSFORMER CKT 1	45.7	0.0072	102.0438	KIRBY SWITCHING STATION - MCCLELLAN SUB 115KV CKT 1
15SP	06ALL	0	FROM->TO	G15_032_115	JERICHO (JERIC2WT) 115/69/14.4KV TRANSFORMER CKT 1	45.6	0.00709	101.9298	SPP-SWPS-T54
15WP	06ALL	0	FROM->TO	G15_032_115	JERICHO (JERIC2WT) 115/69/14.4KV TRANSFORMER CKT 1	45.6	0.00709	101.9298	SPP-SWPS-T54
15G	06ALL	0	FROM->TO	G15_032_115	JERICHO (JERIC2WT) 115/69/14.4KV TRANSFORMER CKT 1	45.9	0.0072	101.5991	KIRBY SWITCHING STATION - MCCLELLAN SUB 115KV CKT 1
15SP	06ALL	0	FROM->TO	G15_032_115	JERICHO (JERIC2WT) 115/69/14.4KV TRANSFORMER CKT 1	45.9	0.00709	101.2636	SPP-SWPS-T54
15WP	06ALL	0	FROM->TO	G15_032_115	JERICHO (JERIC2WT) 115/69/14.4KV TRANSFORMER CKT 1	45.9	0.00709	101.2636	SPP-SWPS-T54
15G	06ALL	0	FROM->TO	G15_032_115	JERICHO (JERIC2WT) 115/69/14.4KV TRANSFORMER CKT 1	45.7	0.0072	100.7309	MCCLELLAN SUB - MCLEAN RURAL SUB 115KV CKT 1
15SP	06ALL	0	FROM->TO	G15_032_115	JERICHO (JERIC2WT) 115/69/14.4KV TRANSFORMER CKT 1	45.6	0.00709	100.3947	MCLEAN RURAL SUB - SHAMROCK 115KV CKT 1
15SP	06ALL	0	FROM->TO	G15_032_115	JERICHO (JERIC2WT) 115/69/14.4KV TRANSFORMER CKT 1	45.6	0.00709	100.3947	SHAMROCK (SHAMRCK1) 115/69/14.4KV TRANSFORMER CKT 1
15WP	06ALL	0	FROM->TO	G15_032_115	JERICHO (JERIC2WT) 115/69/14.4KV TRANSFORMER CKT 1	45.6	0.00709	100.3947	MCLEAN RURAL SUB - SHAMROCK 115KV CKT 1
15WP	06ALL	0	FROM->TO	G15_032_115	JERICHO (JERIC2WT) 115/69/14.4KV TRANSFORMER CKT 1	45.6	0.00709	100.3947	SHAMROCK (SHAMRCK1) 115/69/14.4KV TRANSFORMER CKT 1
15G	06ALL	0	FROM->TO	G15_032_115	JERICHO (JERIC2WT) 115/69/14.4KV TRANSFORMER CKT 1	45.9	0.0072	100.2919	MCCLELLAN SUB - MCLEAN RURAL SUB 115KV CKT 1
25SP	00NR	0	TO->FROM	G15_032_115	LUBBOCK POWER & LIGHT-CO-OP - LUBBOCK POWER & LIGHT-SLATON 69KV CKT 1	53.5	0.00709	154.443	LUBBOCK POWER & LIGHT-CO-OP - LUBBOCK POWER & LIGHT-WADSWORTH 69KV CKT 1
20SP	00NR	0	TO->FROM	G15_032_115	LUBBOCK POWER & LIGHT-CO-OP - LUBBOCK POWER & LIGHT-SLATON 69KV CKT 1	53.6	0.00985	138.3489	LUBBOCK POWER & LIGHT-CO-OP - LUBBOCK POWER & LIGHT-WADSWORTH 69KV CKT 1
15SP	00NR	0	TO->FROM	G15_032_115	LUBBOCK POWER & LIGHT-CO-OP - LUBBOCK POWER & LIGHT-SLATON 69KV CKT 1	53.9	0.00961	115.3673	LUBBOCK POWER & LIGHT-CO-OP - LUBBOCK POWER & LIGHT-WADSWORTH 69KV CKT 1
20WP	00NR	0	TO->FROM	G15_032_115	LUBBOCK POWER & LIGHT-CO-OP - LUBBOCK POWER & LIGHT-SLATON 69KV CKT 1	53.9	0.01604	105.5881	LUBBOCK POWER & LIGHT-CO-OP - LUBBOCK POWER & LIGHT-WADSWORTH 69KV CKT 1
25SP	00NR	0	TO->FROM	G15_032_115	LUBBOCK POWER & LIGHT-CO-OP - LUBBOCK POWER & LIGHT-WADSWORTH 69KV CKT 1	105.6	0.00718	126.8504	BASE CASE
25SP	00NR	0	TO->FROM	G15_032_115	LUBBOCK POWER & LIGHT-CO-OP - LUBBOCK POWER & LIGHT-WADSWORTH 69KV CKT 1	141.2	0.0087	125.5028	LUBBOCK POWER & LIGHT-SLATON - LUBBOCK POWER & LIGHT-SOUTHEAST 69KV CKT 1

SEASON	GROUP	SCENARIO	DIRECTION	SOURCE	MONITORED ELEMENT	RATE	CONTINGENCY		
						(MVA)	TDF	LOADING %	CONTINGENCY
25SP	00NR		0 TO->FROM	G15_032_115	LUBBOCK POWER & LIGHT-CO-OP - LUBBOCK POWER & LIGHT-WADSWORTH 69KV CKT 1	141.2	0.00949	116.039	LUBBOCK POWER & LIGHT-SOUTHEAST - LUBBOCK SOUTH INTERCHANGE 230KV CKT 1
25SP	00NR		0 TO->FROM	G15_032_115	LUBBOCK POWER & LIGHT-CO-OP - LUBBOCK POWER & LIGHT-WADSWORTH 69KV CKT 1	141.2	0.00898	114.3017	LUBBOCK POWER & LIGHT-HOLLY GEN - LUBBOCK POWER & LIGHT-NORTHEAST 69KV CKT 1
20SP	00NR		0 TO->FROM	G15_032_115	LUBBOCK POWER & LIGHT-CO-OP - LUBBOCK POWER & LIGHT-WADSWORTH 69KV CKT 1	108	0.00985	113.662	BASE CASE
20SP	00NR		0 TO->FROM	G15_032_115	LUBBOCK POWER & LIGHT-CO-OP - LUBBOCK POWER & LIGHT-WADSWORTH 69KV CKT 1	143	0.01186	113.3972	LUBBOCK POWER & LIGHT-SLATON - LUBBOCK POWER & LIGHT-SOUTHEAST 69KV CKT 1
25SP	00NR		0 TO->FROM	G15_032_115	LUBBOCK POWER & LIGHT-CO-OP - LUBBOCK POWER & LIGHT-WADSWORTH 69KV CKT 1	141.2	0.00914	111.0779	CARLISLE INTERCHANGE - LUBBOCK POWER & LIGHT-MILWAUKEE 230KV CKT 1
25SP	00NR		0 TO->FROM	G15_032_115	LUBBOCK POWER & LIGHT-CO-OP - LUBBOCK POWER & LIGHT-WADSWORTH 69KV CKT 1	141.2	0.00914	111.0071	LUBBOCK POWER & LIGHT-MILWAUKEE (M-E C0681251) 230/69/13.5KV TRANSFORMER CKT 1
25SP	00NR		0 TO->FROM	G15_032_115	LUBBOCK POWER & LIGHT-CO-OP - LUBBOCK POWER & LIGHT-WADSWORTH 69KV CKT 1	141.2	0.00914	111.0071	SPP-SWPS-K39
15SP	00NR		0 TO->FROM	G15_032_115	LUBBOCK POWER & LIGHT-CO-OP - LUBBOCK POWER & LIGHT-WADSWORTH 69KV CKT 1	108	0.01069	109.7287	BASE CASE
25SP	00NR		0 TO->FROM	G15_032_115	LUBBOCK POWER & LIGHT-CO-OP - LUBBOCK POWER & LIGHT-WADSWORTH 69KV CKT 1	141.2	0.00745	108.8067	LUBBOCK POWER & LIGHT-OLIVER - LUBBOCK POWER & LIGHT-SOUTHEAST 69KV CKT 1
15SP	00NR		0 TO->FROM	G15_032_115	LUBBOCK POWER & LIGHT-CO-OP - LUBBOCK POWER & LIGHT-WADSWORTH 69KV CKT 1	143	0.01225	104.5979	LUBBOCK POWER & LIGHT-SLATON - LUBBOCK POWER & LIGHT-SOUTHEAST 69KV CKT 1
25SP	00NR		0 TO->FROM	G15_032_115	LUBBOCK POWER & LIGHT-CO-OP - LUBBOCK POWER & LIGHT-WADSWORTH 69KV CKT 1	141.2	0.00898	103.466	LUBBOCK POWER & LIGHT-MACKENZIE GEN - LUBBOCK POWER & LIGHT-NORTHEAST 69KV CKT 1
20SP	00NR		0 TO->FROM	G15_032_115	LUBBOCK POWER & LIGHT-CO-OP - LUBBOCK POWER & LIGHT-WADSWORTH 69KV CKT 1	143	0.01217	103.3923	LUBBOCK POWER & LIGHT-HOLLY GEN - LUBBOCK POWER & LIGHT-NORTHEAST 69KV CKT 1
20SP	00NR		0 TO->FROM	G15_032_115	LUBBOCK POWER & LIGHT-CO-OP - LUBBOCK POWER & LIGHT-WADSWORTH 69KV CKT 1	143	0.01356	103.3343	LUBBOCK POWER & LIGHT-SOUTHEAST - LUBBOCK SOUTH INTERCHANGE 230KV CKT 1
25SP	00NR		0 TO->FROM	G15_032_115	LUBBOCK POWER & LIGHT-CO-OP - LUBBOCK POWER & LIGHT-WADSWORTH 69KV CKT 1	141.2	0.00805	102.7727	LUBBOCK POWER & LIGHT-SOUTHEAST (ABB 60258) 230/69/13.5KV TRANSFORMER CKT 1
25SP	00NR		0 TO->FROM	G15_032_115	LUBBOCK POWER & LIGHT-CO-OP - LUBBOCK POWER & LIGHT-WADSWORTH 69KV CKT 1	141.2	0.00799	102.2642	LUBBOCK POWER & LIGHT-SOUTHEAST (FRM WADSWRTH) 230/69/13.5KV TRANSFORMER CKT 2
25SP	00NR		0 TO->FROM	G15_032_115	LUBBOCK POWER & LIGHT-CO-OP - LUBBOCK POWER & LIGHT-WADSWORTH 69KV CKT 1	141.2	0.00753	101.5999	LUBBOCK POWER & LIGHT-CHALKER - LUBBOCK POWER & LIGHT-THOMPSON 69KV CKT 1
25SP	00NR		0 TO->FROM	G15_032_115	LUBBOCK POWER & LIGHT-CO-OP - LUBBOCK POWER & LIGHT-WADSWORTH 69KV CKT 1	141.2	0.00661	100.9086	LUBBOCK POWER & LIGHT-HOLLY GEN - LUBBOCK POWER & LIGHT-SOUTHEAST 69KV CKT 1
25SP	00NR		0 TO->FROM	G15_032_115	LUBBOCK POWER & LIGHT-CO-OP - LUBBOCK POWER & LIGHT-WADSWORTH 69KV CKT 1	141.2	0.00745	100.5205	LUBBOCK POWER & LIGHT-CHALKER - LUBBOCK POWER & LIGHT-OLIVER 69KV CKT 1
25SP	00NR		0 TO->FROM	G15_032_115	LUBBOCK POWER & LIGHT-SLATON - LUBBOCK POWER & LIGHT-SOUTHEAST 69KV CKT 1	143	0.00734	121.1902	LUBBOCK POWER & LIGHT-CO-OP - LUBBOCK POWER & LIGHT-WADSWORTH 69KV CKT 1
20SP	00NR		0 TO->FROM	G15_032_115	LUBBOCK POWER & LIGHT-SLATON - LUBBOCK POWER & LIGHT-SOUTHEAST 69KV CKT 1	142.8	0.00992	110.8375	LUBBOCK POWER & LIGHT-CO-OP - LUBBOCK POWER & LIGHT-WADSWORTH 69KV CKT 1
20SP	00NR		0 TO->FROM	G15_032_115	LUBBOCK POWER & LIGHT-SLATON - LUBBOCK POWER & LIGHT-SOUTHEAST 69KV CKT 1	142.8	0.00595	109.0231	LUBBOCK POWER & LIGHT-OLIVER - LUBBOCK POWER & LIGHT-SOUTHEAST 69KV CKT 1
15G	06ALL		0 TO->FROM	G15_032_115	MANHATTAN TAP - RANDALL COUNTY INTERCHANGE 115KV CKT 1	159.4	0.15799	100.0903	OSAGE SWITCHING STATION - RANDALL COUNTY INTERCHANGE 115KV CKT 1
20SP	06ALL		0 TO->FROM	G15_032_115	NORGE ROAD - SOUTHWESTERN STATION 138KV CKT 1	135.7	0.01111	110.7649	SOUTHWESTERN STATION - VERDEN 138KV CKT 1
20WP	06ALL		0 TO->FROM	G15_032_115	NORGE ROAD - SOUTHWESTERN STATION 138KV CKT 1	135.7	0.01111	110.7649	SOUTHWESTERN STATION - VERDEN 138KV CKT 1
20SP	06ALL		0 TO->FROM	G15_032_115	NORGE ROAD - SOUTHWESTERN STATION 138KV CKT 1	135.7	0.01111	109.2911	NORTH 29TH CHICKASHA - VERDEN 138KV CKT 1
20WP	06ALL		0 TO->FROM	G15_032_115	NORGE ROAD - SOUTHWESTERN STATION 138KV CKT 1	135.7	0.01111	109.2911	NORTH 29TH CHICKASHA - VERDEN 138KV CKT 1
20SP	06ALL		0 TO->FROM	G15_032_115	NORGE ROAD - SOUTHWESTERN STATION 138KV CKT 1	135.7	0.01585	106.476	CIMARRON - MINCO 345KV CKT 1
20WP	06ALL		0 TO->FROM	G15_032_115	NORGE ROAD - SOUTHWESTERN STATION 138KV CKT 1	135.7	0.01585	106.476	CIMARRON - MINCO 345KV CKT 1
20SP	06ALL		0 TO->FROM	G15_032_115	NORGE ROAD - SOUTHWESTERN STATION 138KV CKT 1	135.7	0.01111	106.2697	CORNVILLE - NORTH 29TH CHICKASHA 138KV CKT 1
20WP	06ALL		0 TO->FROM	G15_032_115	NORGE ROAD - SOUTHWESTERN STATION 138KV CKT 1	135.7	0.01111	106.2697	CORNVILLE - NORTH 29TH CHICKASHA 138KV CKT 1
20SP	06ALL		0 TO->FROM	G15_032_115	NORGE ROAD - SOUTHWESTERN STATION 138KV CKT 1	135.7	0.0103	104.1341	ANADARKO - CORN TAP 138KV CKT 1
20WP	06ALL		0 TO->FROM	G15_032_115	NORGE ROAD - SOUTHWESTERN STATION 138KV CKT 1	135.7	0.0103	104.1341	ANADARKO - CORN TAP 138KV CKT 1
20SP	06ALL		0 TO->FROM	G15_032_115	NORGE ROAD - SOUTHWESTERN STATION 138KV CKT 1	135.7	0.01585	102.9388	GRACEMONT - MINCO 345KV CKT 1
20WP	06ALL		0 TO->FROM	G15_032_115	NORGE ROAD - SOUTHWESTERN STATION 138KV CKT 1	135.7	0.01585	102.9388	GRACEMONT - MINCO 345KV CKT 1
25SP	06ALL		0 TO->FROM	G15_032_115	NORGE ROAD - SOUTHWESTERN STATION 138KV CKT 1	135.8	0.01067	100.106	SOUTHWESTERN STATION - VERDEN 138KV CKT 1
15SP	06ALL		0 FROM->TO	G15_032_115	PRINGLE INTERCHANGE - SPEARMAN INTERCHANGE 115KV CKT 1	159.7	0.03961	104.2317	PRINGLE INTERCHANGE - SPEARMAN INTERCHANGE 115KV CKT 2
15WP	06ALL		0 FROM->TO	G15_032_115	PRINGLE INTERCHANGE - SPEARMAN INTERCHANGE 115KV CKT 1	159.7	0.03961	104.2317	PRINGLE INTERCHANGE - SPEARMAN INTERCHANGE 115KV CKT 2
15G	06ALL		0 FROM->TO	G15_032_115	PRINGLE INTERCHANGE - SPEARMAN INTERCHANGE 115KV CKT 1	158.4	0.03845	103.0429	PRINGLE INTERCHANGE - SPEARMAN INTERCHANGE 115KV CKT 2
15G	06ALL		0 FROM->TO	G15_032_115	SHAMROCK (SHAMRCK1) 115/69/14.4KV TRANSFORMER CKT 1	66	0.01456	105.7818	CHISHOLM6 230.00 - SWEETWATER 230KV CKT 1
15G	06ALL		0 FROM->TO	G15_032_115	SHAMROCK (SHAMRCK1) 115/69/14.4KV TRANSFORMER CKT 1	66	0.01312	105.3485	HWRDWCK2 69.000 - JERICO 69KV CKT 1
15G	06ALL		0 FROM->TO	G15_032_115	SHAMROCK (SHAMRCK1) 115/69/14.4KV TRANSFORMER CKT 1	66	0.01312	105.3485	JERICO - KIRBY SWITCHING STATION 115KV CKT 1
15G	06ALL		0 FROM->TO	G15_032_115	SHAMROCK (SHAMRCK1) 115/69/14.4KV TRANSFORMER CKT 1	66	0.01312	105.3485	JERICO (JERIC2WT) 115/69/14.4KV TRANSFORMER CKT 1
15G	06ALL		0 FROM->TO	G15_032_115	SHAMROCK (SHAMRCK1) 115/69/14.4KV TRANSFORMER CKT 1	66	0.01312	104.5909	CLARENDON - HWRDWCK2 69.000 69KV CKT 1
15G	06ALL		0 FROM->TO	G15_032_115	SHAMROCK (SHAMRCK1) 115/69/14.4KV TRANSFORMER CKT 1	66	0.01388	104.2242	G14-074T 345.00 - OKLAUNION 345KV CKT 1
15G	06ALL		0 FROM->TO	G15_032_115	SHAMROCK (SHAMRCK1) 115/69/14.4KV TRANSFORMER CKT 1	67.1	0.01456	104.1967	CHISHOLM6 230.00 - SWEETWATER 230KV CKT 1
15G	06ALL		0 FROM->TO	G15_032_115	SHAMROCK (SHAMRCK1) 115/69/14.4KV TRANSFORMER CKT 1	67.1	0.01312	103.7705	HWRDWCK2 69.000 - JERICO 69KV CKT 1
15G	06ALL		0 FROM->TO	G15_032_115	SHAMROCK (SHAMRCK1) 115/69/14.4KV TRANSFORMER CKT 1	67.1	0.01312	103.7705	JERICO - KIRBY SWITCHING STATION 115KV CKT 1
15G	06ALL		0 FROM->TO	G15_032_115	SHAMROCK (SHAMRCK1) 115/69/14.4KV TRANSFORMER CKT 1	67.1	0.01312	103.7705	JERICO (JERIC2WT) 115/69/14.4KV TRANSFORMER CKT 1
15G	06ALL		0 FROM->TO	G15_032_115	SHAMROCK (SHAMRCK1) 115/69/14.4KV TRANSFORMER CKT 1	66	0.01456	103.5091	GRAPEVINE INTERCHANGE - STATELINE INTERCHANGE 230KV CKT 1
15G	06ALL		0 FROM->TO	G15_032_115	SHAMROCK (SHAMRCK1) 115/69/14.4KV TRANSFORMER CKT 1	67.1	0.01312	103.0253	CLARENDON - HWRDWCK2 69.000 69KV CKT 1
15G	06ALL		0 FROM->TO	G15_032_115	SHAMROCK (SHAMRCK1) 115/69/14.4KV TRANSFORMER CKT 1	66	0.01312	103.0242	CHISHOLM6 230.00 - ELK CITY 230KV 230KV CKT 1
15G	06ALL		0 FROM->TO	G15_032_115	SHAMROCK (SHAMRCK1) 115/69/14.4KV TRANSFORMER CKT 1	66	0.01316	103.0242	ELK CITY 230KV (ELKCTY-6) 230/138/13.8KV TRANSFORMER CKT 1

SEASON	GROUP	SCENARIO	DIRECTION	SOURCE	MONITORED ELEMENT	RATE (MVA)	CONTINGENCY		CONTINGENCY
							TDF	LOADING %	
15G	06ALL	0	FROM->TO	G15_032_115	SHAMROCK (SHAMRCK1) 115/69/14.4KV TRANSFORMER CKT 1	66	0.01353	102.9151	CHISHOLM7 345.00 - GRACEMONT 345KV CKT 1
15G	06ALL	0	FROM->TO	G15_032_115	SHAMROCK (SHAMRCK1) 115/69/14.4KV TRANSFORMER CKT 1	67.1	0.01388	102.8137	G14-074T 345.00 - OKLAUNION 345KV CKT 1
15G	06ALL	0	FROM->TO	G15_032_115	SHAMROCK (SHAMRCK1) 115/69/14.4KV TRANSFORMER CKT 1	67.1	0.01456	101.9613	GRAPEVINE INTERCHANGE - STATELINE INTERCHANGE 230KV CKT 1
15G	06ALL	0	FROM->TO	G15_032_115	SHAMROCK (SHAMRCK1) 115/69/14.4KV TRANSFORMER CKT 1	67.1	0.01316	101.6334	CHISHOLM6 230.00 - ELK CITY 230KV 230KV CKT 1
15G	06ALL	0	FROM->TO	G15_032_115	SHAMROCK (SHAMRCK1) 115/69/14.4KV TRANSFORMER CKT 1	66	0.01312	101.5606	CLARENDON - CLARENDON REC 69KV CKT 1
15G	06ALL	0	FROM->TO	G15_032_115	SHAMROCK (SHAMRCK1) 115/69/14.4KV TRANSFORMER CKT 1	67.1	0.01316	101.4844	ELK CITY 230KV (ELKCTY-6) 230/138/13.8KV TRANSFORMER CKT 1
15G	06ALL	0	FROM->TO	G15_032_115	SHAMROCK (SHAMRCK1) 115/69/14.4KV TRANSFORMER CKT 1	67.1	0.01353	101.3771	CHISHOLM7 345.00 - GRACEMONT 345KV CKT 1
15G	06ALL	0	FROM->TO	G15_032_115	SHAMROCK (SHAMRCK1) 115/69/14.4KV TRANSFORMER CKT 1	66	0.01388	100.8909	G14-074T 345.00 - TUCO INTERCHANGE 345KV CKT 1
15G	06ALL	0	FROM->TO	G15_032_115	SHAMROCK (SHAMRCK1) 115/69/14.4KV TRANSFORMER CKT 1	66	0.01312	100.3485	CLARENDON REC - HEDLEY 69KV CKT 1
15G	06ALL	0	FROM->TO	G15_032_115	SHAMROCK (SHAMRCK1) 115/69/14.4KV TRANSFORMER CKT 1	66	0.01299	100.1061	DBL-G1114-WWRD
15G	06ALL	0	FROM->TO	G15_032_115	SHAMROCK (SHAMRCK1) 115/69/14.4KV TRANSFORMER CKT 1	67.1	0.01312	100.0447	CLARENDON - CLARENDON REC 69KV CKT 1
20SP	06ALL	0	TO->FROM	G15_032_115	SUNSHINE CANYON - TUTTLE 138KV CKT 1	141.6	0.02171	104.6977	CIMARRON - MINCO 345KV CKT 1
20WP	06ALL	0	TO->FROM	G15_032_115	SUNSHINE CANYON - TUTTLE 138KV CKT 1	141.6	0.02171	104.6977	CIMARRON - MINCO 345KV CKT 1
15SP	06ALL	0	TO->FROM	G15_032_115	SUNSHINE CANYON - TUTTLE 138KV CKT 1	141.6	0.02306	104.1398	CIMARRON - MINCO 345KV CKT 1
15WP	06ALL	0	TO->FROM	G15_032_115	SUNSHINE CANYON - TUTTLE 138KV CKT 1	141.6	0.02306	104.1398	CIMARRON - MINCO 345KV CKT 1
20SP	06ALL	0	TO->FROM	G15_032_115	SUNSHINE CANYON - TUTTLE 138KV CKT 1	141.6	0.02171	100.1073	GRACEMONT - MINCO 345KV CKT 1
20WP	06ALL	0	TO->FROM	G15_032_115	SUNSHINE CANYON - TUTTLE 138KV CKT 1	141.6	0.02171	100.1073	GRACEMONT - MINCO 345KV CKT 1
15SP	06ALL	0	FROM->TO	G15_032_115	THOMAS TAP - WEATHERFORD 69KV CKT 1	39	0.00796	114.2667	CLINTON JUNCTION - CLINTON NATURAL GAS TAP 138KV CKT 1
15WP	06ALL	0	FROM->TO	G15_032_115	THOMAS TAP - WEATHERFORD 69KV CKT 1	39	0.00796	114.2667	CLINTON JUNCTION - CLINTON NATURAL GAS TAP 138KV CKT 1
15G	06ALL	0	FROM->TO	G15_032_115	TUCO INTERCHANGE (GE M1022338) 345/230/13.2KV TRANSFORMER CKT 1	555.1	0.15829	102.3949	TUCO INTERCHANGE (SIEM 8743066) 345/230/13.2KV TRANSFORMER CKT 2
15G	06ALL	0	FROM->TO	G15_032_115	TUCO INTERCHANGE (GE M1022338) 345/230/13.2KV TRANSFORMER CKT 1	557.4	0.15829	101.9185	TUCO INTERCHANGE (SIEM 8743066) 345/230/13.2KV TRANSFORMER CKT 2
15G	06ALL	0	FROM->TO	G15_032_115	TUCO INTERCHANGE (GE M1022338) 345/230/13.2KV TRANSFORMER CKT 1	555.1	0.16555	100.0342	TUCO_2 345.00 (TUCO_2 XFMR) 345/230/13.2KV TRANSFORMER CKT 1
15G	06ALL	0	FROM->TO	G15_032_115	WICHITA (WICH TX-12) 345/138/13.8KV TRANSFORMER CKT 1	413.2	0.01242	106.6578	WICHITA (WICH TX-11) 345/138/13.8KV TRANSFORMER CKT 1
15G	06ALL	0	FROM->TO	G15_032_115	WICHITA (WICH TX-12) 345/138/13.8KV TRANSFORMER CKT 1	419.7	0.01242	104.8868	WICHITA (WICH TX-11) 345/138/13.8KV TRANSFORMER CKT 1
25SP	00NRR	0	FROM->TO	G15_032_115	WOLFORTH INTERCHANGE (WH 7001668) 230/115/13.2KV TRANSFORMER CKT 1	140.3	0.01965	100.6379	CARLISLE INTERCHANGE - LP-DOUD_TP 3115.00 115KV CKT 1
20SP	06ALL	2	FROM->TO	G15_032_115	ANADARKO - CORN TAP 138KV CKT 1	142.8	0.01466	100.1961	CIMARRON - MINCO 345KV CKT 1
20WP	06ALL	2	FROM->TO	G15_032_115	ANADARKO - CORN TAP 138KV CKT 1	142.8	0.01466	100.1961	CIMARRON - MINCO 345KV CKT 1
15G	06ALL	2	TO->FROM	G15_032_115	ANADARKO - GRACMNT4 138.00 138KV CKT 1	225.1	0.05288	127.546	CIMARRON - MINCO 345KV CKT 1
15G	06ALL	2	TO->FROM	G15_032_115	ANADARKO - GRACMNT4 138.00 138KV CKT 1	225.1	0.05288	119.3274	GRACEMONT - MINCO 345KV CKT 1
15G	06ALL	2	TO->FROM	G15_032_115	ANADARKO - GRACMNT4 138.00 138KV CKT 1	225.1	0.03015	106.9374	SOUTHWESTERN STATION - WASHITA 138KV CKT 1
15SP	06ALL	2	FROM->TO	G15_032_115	BENTLEY4 138.00 - HALSTEAD SOUTH BUS 138KV CKT 1	142.2	0.00688	108.2686	RENO COUNTY - WICHITA 345KV CKT 1
15WP	06ALL	2	FROM->TO	G15_032_115	BENTLEY4 138.00 - HALSTEAD SOUTH BUS 138KV CKT 1	142.2	0.00688	108.2686	RENO COUNTY - WICHITA 345KV CKT 1
20SP	06ALL	2	FROM->TO	G15_032_115	CLEARWATER - GILL ENERGY CENTER WEST 138KV CKT 1	142.2	0.01392	102.4233	GILL ENERGY CENTER SOUTH - VIOLA 4 138.00 138KV CKT 1
20WP	06ALL	2	FROM->TO	G15_032_115	CLEARWATER - GILL ENERGY CENTER WEST 138KV CKT 1	142.2	0.01392	102.4233	GILL ENERGY CENTER SOUTH - VIOLA 4 138.00 138KV CKT 1
15SP	06ALL	2	TO->FROM	G15_032_115	CLINTON CITY - FOSS TAP 69KV CKT 1	74.5	0.00797	103.4497	CLINTON JUNCTION - CLINTON NATURAL GAS TAP 138KV CKT 1
15WP	06ALL	2	TO->FROM	G15_032_115	CLINTON CITY - FOSS TAP 69KV CKT 1	74.5	0.00797	103.4497	CLINTON JUNCTION - CLINTON NATURAL GAS TAP 138KV CKT 1
15SP	06ALL	2	FROM->TO	G15_032_115	CLINTON CITY - THOMAS TAP 69KV CKT 1	38.9	0.00797	125.6298	CLINTON JUNCTION - CLINTON NATURAL GAS TAP 138KV CKT 1
15WP	06ALL	2	FROM->TO	G15_032_115	CLINTON CITY - THOMAS TAP 69KV CKT 1	38.9	0.00797	125.6298	CLINTON JUNCTION - CLINTON NATURAL GAS TAP 138KV CKT 1
20SP	06ALL	2	FROM->TO	G15_032_115	CLINTON CITY - THOMAS TAP 69KV CKT 1	39	0.00761	102.959	CLINTON JUNCTION - CLINTON NATURAL GAS TAP 138KV CKT 1
20WP	06ALL	2	FROM->TO	G15_032_115	CLINTON CITY - THOMAS TAP 69KV CKT 1	39	0.00761	102.959	CLINTON JUNCTION - CLINTON NATURAL GAS TAP 138KV CKT 1
15G	06ALL	2	FROM->TO	G15_032_115	CLINTON CITY - THOMAS TAP 69KV CKT 1	47.9	0.00775	101.1232	CLINTON JUNCTION - CLINTON NATURAL GAS TAP 138KV CKT 1
15SP	06ALL	2	TO->FROM	G15_032_115	CLINTON JUNCTION - ELK CITY 138KV CKT 1	148.8	0.04319	140.6815	CHISHOLM7 345.00 - GRACEMONT 345KV CKT 1
15WP	06ALL	2	TO->FROM	G15_032_115	CLINTON JUNCTION - ELK CITY 138KV CKT 1	148.8	0.04319	140.6815	CHISHOLM7 345.00 - GRACEMONT 345KV CKT 1
15G	06ALL	2	TO->FROM	G15_032_115	CLINTON JUNCTION - ELK CITY 138KV CKT 1	185.1	0.04173	124.1361	CHISHOLM7 345.00 - GRACEMONT 345KV CKT 1
15SP	06ALL	2	TO->FROM	G15_032_115	CLINTON JUNCTION - ELK CITY 138KV CKT 1	148.8	0.03619	122.8078	G14-074T 345.00 - OKLAUNION 345KV CKT 1
15WP	06ALL	2	TO->FROM	G15_032_115	CLINTON JUNCTION - ELK CITY 138KV CKT 1	148.8	0.03619	122.8078	G14-074T 345.00 - OKLAUNION 345KV CKT 1
15SP	06ALL	2	TO->FROM	G15_032_115	CLINTON JUNCTION - ELK CITY 138KV CKT 1	148.8	0.02232	120.3723	ONEY - WASHITA 138KV CKT 1
15WP	06ALL	2	TO->FROM	G15_032_115	CLINTON JUNCTION - ELK CITY 138KV CKT 1	148.8	0.02232	120.3723	ONEY - WASHITA 138KV CKT 1
15SP	06ALL	2	TO->FROM	G15_032_115	CLINTON JUNCTION - ELK CITY 138KV CKT 1	148.8	0.03619	118.7755	G14-074T 345.00 - TUCO INTERCHANGE 345KV CKT 1
15WP	06ALL	2	TO->FROM	G15_032_115	CLINTON JUNCTION - ELK CITY 138KV CKT 1	148.8	0.03619	118.7755	G14-074T 345.00 - TUCO INTERCHANGE 345KV CKT 1
15SP	06ALL	2	TO->FROM	G15_032_115	CLINTON JUNCTION - ELK CITY 138KV CKT 1	148.8	0.03315	118.215	NORTHWEST - TATONGA7 345.00 345KV CKT 1
15WP	06ALL	2	TO->FROM	G15_032_115	CLINTON JUNCTION - ELK CITY 138KV CKT 1	148.8	0.03315	118.215	NORTHWEST - TATONGA7 345.00 345KV CKT 1
15SP	06ALL	2	TO->FROM	G15_032_115	CLINTON JUNCTION - ELK CITY 138KV CKT 1	148.8	0.02232	117.8185	BINGER NIJECT - ONEY 138KV CKT 1
15WP	06ALL	2	TO->FROM	G15_032_115	CLINTON JUNCTION - ELK CITY 138KV CKT 1	148.8	0.02232	117.8185	BINGER NIJECT - ONEY 138KV CKT 1
15SP	06ALL	2	TO->FROM	G15_032_115	CLINTON JUNCTION - ELK CITY 138KV CKT 1	148.8	0.03315	117.7446	SPSCont-05b
15WP	06ALL	2	TO->FROM	G15_032_115	CLINTON JUNCTION - ELK CITY 138KV CKT 1	148.8	0.03315	117.7446	SPSCont-05b
15SP	06ALL	2	TO->FROM	G15_032_115	CLINTON JUNCTION - ELK CITY 138KV CKT 1	148.8	0.03315	117.3414	SPSCont-04
15WP	06ALL	2	TO->FROM	G15_032_115	CLINTON JUNCTION - ELK CITY 138KV CKT 1	148.8	0.03315	117.3414	SPSCont-04
15SP	06ALL	2	TO->FROM	G15_032_115	CLINTON JUNCTION - ELK CITY 138KV CKT 1	148.8	0.03366	117.0927	DBL-THIS-WWRD
15WP	06ALL	2	TO->FROM	G15_032_115	CLINTON JUNCTION - ELK CITY 138KV CKT 1	148.8	0.03366	117.0927	DBL-THIS-WWRD
15SP	06ALL	2	TO->FROM	G15_032_115	CLINTON JUNCTION - ELK CITY 138KV CKT 1	132.4	0.02917	116.1979	BASE CASE
15WP	06ALL	2	TO->FROM	G15_032_115	CLINTON JUNCTION - ELK CITY 138KV CKT 1	132.4	0.02917	116.1979	BASE CASE
15SP	06ALL	2	TO->FROM	G15_032_115	CLINTON JUNCTION - ELK CITY 138KV CKT 1	148.8	0.03311	115.6492	CLINTON AIR FORCE BASE TAP - ELK CITY 138KV CKT 1
15WP	06ALL	2	TO->FROM	G15_032_115	CLINTON JUNCTION - ELK CITY 138KV CKT 1	148.8	0.03311	115.6492	CLINTON AIR FORCE BASE TAP - ELK CITY 138KV CKT 1
15SP	06ALL	2	TO->FROM	G15_032_115	CLINTON JUNCTION - ELK CITY 138KV CKT 1	148.8	0.03579	115.3952	CHISHOLM7 345.00 - WOODWARD DISTRICT EHV 345KV CKT 1

SEASON	GROUP	SCENARIO	DIRECTION	SOURCE	MONITORED ELEMENT	RATE (MVA)	CONTINGENCY		CONTINGENCY
							TDF	LOADING %	
15WP	06ALL	2	TO->FROM	G15_032_115	CLINTON JUNCTION - ELK CITY 138KV CKT 1	148.8	0.03579	115.3952	CHISHOLM7 345.00 - WOODWARD DISTRICT EHV 345KV CKT 1
15SP	06ALL	2	TO->FROM	G15_032_115	CLINTON JUNCTION - ELK CITY 138KV CKT 1	148.8	0.03311	114.7755	CLINTON AIR FORCE BASE TAP - HOBART JUNCTION 138KV CKT 1
15WP	06ALL	2	TO->FROM	G15_032_115	CLINTON JUNCTION - ELK CITY 138KV CKT 1	148.8	0.03311	114.7755	CLINTON AIR FORCE BASE TAP - HOBART JUNCTION 138KV CKT 1
15SP	06ALL	2	TO->FROM	G15_032_115	CLINTON JUNCTION - ELK CITY 138KV CKT 1	148.8	0.02232	113.7191	BINGER NUJECT - SICKLES 138KV CKT 1
15WP	06ALL	2	TO->FROM	G15_032_115	CLINTON JUNCTION - ELK CITY 138KV CKT 1	148.8	0.02232	113.7191	BINGER NUJECT - SICKLES 138KV CKT 1
15SP	06ALL	2	TO->FROM	G15_032_115	CLINTON JUNCTION - ELK CITY 138KV CKT 1	148.8	0.03315	113.6451	G11_051T 345.00 - TATONGA7 345.00 345KV CKT 1
15WP	06ALL	2	TO->FROM	G15_032_115	CLINTON JUNCTION - ELK CITY 138KV CKT 1	148.8	0.03315	113.6451	G11_051T 345.00 - TATONGA7 345.00 345KV CKT 1
15SP	06ALL	2	TO->FROM	G15_032_115	CLINTON JUNCTION - ELK CITY 138KV CKT 1	148.8	0.02232	113.047	CLINTON JUNCTION - G07-32T 138.00 138KV CKT 1
15WP	06ALL	2	TO->FROM	G15_032_115	CLINTON JUNCTION - ELK CITY 138KV CKT 1	148.8	0.02232	113.047	CLINTON JUNCTION - G07-32T 138.00 138KV CKT 1
15SP	06ALL	2	TO->FROM	G15_032_115	CLINTON JUNCTION - ELK CITY 138KV CKT 1	148.8	0.02917	112.9341	G07-32 138.00 - G07-32T 138.00 138KV CKT 1
15SP	06ALL	2	TO->FROM	G15_032_115	CLINTON JUNCTION - ELK CITY 138KV CKT 1	148.8	0.02917	112.9341	G07-32 138.00 138/34.5KV TRANSFORMER CKT 1
15SP	06ALL	2	TO->FROM	G15_032_115	CLINTON JUNCTION - ELK CITY 138KV CKT 1	148.8	0.02917	112.9341	G07-32 34.500 34.5/12.0KV TRANSFORMER CKT 1
15WP	06ALL	2	TO->FROM	G15_032_115	CLINTON JUNCTION - ELK CITY 138KV CKT 1	148.8	0.02917	112.9341	G07-32 138.00 - G07-32T 138.00 138KV CKT 1
15WP	06ALL	2	TO->FROM	G15_032_115	CLINTON JUNCTION - ELK CITY 138KV CKT 1	148.8	0.02917	112.9341	G07-32 138.00 138/34.5KV TRANSFORMER CKT 1
15WP	06ALL	2	TO->FROM	G15_032_115	CLINTON JUNCTION - ELK CITY 138KV CKT 1	148.8	0.02917	112.9341	G07-32 34.500 34.5/12.0KV TRANSFORMER CKT 1
15SP	06ALL	2	TO->FROM	G15_032_115	CLINTON JUNCTION - ELK CITY 138KV CKT 1	148.8	0.02917	111.59	WASHITA - WEATHERFORD WIND FARM 34 KV 34.5KV CKT 1
15WP	06ALL	2	TO->FROM	G15_032_115	CLINTON JUNCTION - ELK CITY 138KV CKT 1	148.8	0.02917	111.59	WASHITA - WEATHERFORD WIND FARM 34 KV 34.5KV CKT 1
20SP	06ALL	2	TO->FROM	G15_032_115	CLINTON JUNCTION - ELK CITY 138KV CKT 1	151.1	0.04282	109.546	CHISHOLM7 345.00 - GRACEMONT 345KV CKT 1
20WP	06ALL	2	TO->FROM	G15_032_115	CLINTON JUNCTION - ELK CITY 138KV CKT 1	151.1	0.04282	109.546	CHISHOLM7 345.00 - GRACEMONT 345KV CKT 1
20SP	06ALL	2	TO->FROM	G15_032_115	CLINTON JUNCTION - ELK CITY 138KV CKT 1	151.1	0.02219	106.5136	ONEY - WASHITA 138KV CKT 1
20WP	06ALL	2	TO->FROM	G15_032_115	CLINTON JUNCTION - ELK CITY 138KV CKT 1	151.1	0.02219	106.5136	ONEY - WASHITA 138KV CKT 1
15G	06ALL	2	TO->FROM	G15_032_115	CLINTON JUNCTION - ELK CITY 138KV CKT 1	185.1	0.03486	105.7515	G14-074T 345.00 - OKLAUNION 345KV CKT 1
20SP	06ALL	2	TO->FROM	G15_032_115	CLINTON JUNCTION - ELK CITY 138KV CKT 1	151.1	0.02219	103.9325	BINGER NUJECT - ONEY 138KV CKT 1
20WP	06ALL	2	TO->FROM	G15_032_115	CLINTON JUNCTION - ELK CITY 138KV CKT 1	151.1	0.02219	103.9325	BINGER NUJECT - ONEY 138KV CKT 1
15G	06ALL	2	TO->FROM	G15_032_115	CLINTON JUNCTION - ELK CITY 138KV CKT 1	185.1	0.03486	102.6721	G14-074T 345.00 - TUCO INTERCHANGE 345KV CKT 1
15G	06ALL	2	TO->FROM	G15_032_115	CLINTON JUNCTION - ELK CITY 138KV CKT 1	185.1	0.03205	102.4614	NORTHWEST - TATONGA7 345.00 345KV CKT 1
15G	06ALL	2	TO->FROM	G15_032_115	CLINTON JUNCTION - ELK CITY 138KV CKT 1	185.1	0.03205	102.0832	SPSCont-05b
15G	06ALL	2	TO->FROM	G15_032_115	CLINTON JUNCTION - ELK CITY 138KV CKT 1	185.1	0.03205	101.759	SPSCont-04
15G	06ALL	2	TO->FROM	G15_032_115	CLINTON JUNCTION - ELK CITY 138KV CKT 1	185.1	0.03185	101.5894	CLINTON AIR FORCE BASE TAP - ELK CITY 138KV CKT 1
15G	06ALL	2	TO->FROM	G15_032_115	CLINTON JUNCTION - ELK CITY 138KV CKT 1	185.1	0.03185	100.9951	CLINTON AIR FORCE BASE TAP - HOBART JUNCTION 138KV CKT 1
15G	06ALL	2	TO->FROM	G15_032_115	CLINTON JUNCTION - ELK CITY 138KV CKT 1	185.1	0.0346	100.2766	CHISHOLM7 345.00 - WOODWARD DISTRICT EHV 345KV CKT 1
15G	06ALL	2	TO->FROM	G15_032_115	CLINTON JUNCTION - ELK CITY 138KV CKT 1	185.1	0.03243	100.1124	DBL-THIS-WWRD
15SP	06ALL	2	FROM->TO	G15_032_115	CLINTON JUNCTION - FOSS TAP 69KV CKT 1	74.7	0.00797	104.3775	CLINTON JUNCTION - CLINTON NATURAL GAS TAP 138KV CKT 1
15WP	06ALL	2	FROM->TO	G15_032_115	CLINTON JUNCTION - FOSS TAP 69KV CKT 1	74.7	0.00797	104.3775	CLINTON JUNCTION - CLINTON NATURAL GAS TAP 138KV CKT 1
15SP	06ALL	2	TO->FROM	G15_032_115	COMANCHE TAP - TOSCO 69KV CKT 1	39	0.00555	103.8359	G14-057T 345.00 - SUNNYSIDE 345KV CKT 1
15WP	06ALL	2	TO->FROM	G15_032_115	COMANCHE TAP - TOSCO 69KV CKT 1	39	0.00555	103.8359	G14-057T 345.00 - SUNNYSIDE 345KV CKT 1
15SP	06ALL	2	TO->FROM	G15_032_115	COMANCHE TAP - TOSCO 69KV CKT 1	39	0.00555	101.0154	G14-057T 345.00 - LAWTON EASTSIDE 345KV CKT 1
15WP	06ALL	2	TO->FROM	G15_032_115	COMANCHE TAP - TOSCO 69KV CKT 1	39	0.00555	101.0154	G14-057T 345.00 - LAWTON EASTSIDE 345KV CKT 1
15SP	06ALL	2	FROM->TO	G15_032_115	DUNCAN - TOSCO 69KV CKT 1	38.9	0.00555	108.2159	G14-057T 345.00 - SUNNYSIDE 345KV CKT 1
15WP	06ALL	2	FROM->TO	G15_032_115	DUNCAN - TOSCO 69KV CKT 1	38.9	0.00555	108.2159	G14-057T 345.00 - SUNNYSIDE 345KV CKT 1
15SP	06ALL	2	FROM->TO	G15_032_115	DUNCAN - TOSCO 69KV CKT 1	38.9	0.00555	105.3882	G14-057T 345.00 - LAWTON EASTSIDE 345KV CKT 1
15WP	06ALL	2	FROM->TO	G15_032_115	DUNCAN - TOSCO 69KV CKT 1	38.9	0.00555	105.3882	G14-057T 345.00 - LAWTON EASTSIDE 345KV CKT 1
15SP	06ALL	2	TO->FROM	G15_032_115	EARLSBORO 4138.00 - MAUD 138KV CKT 1	97.7	0.00717	106.0655	MAUD (MAUD1) 138/69/13.2KV TRANSFORMER CKT 1
15WP	06ALL	2	TO->FROM	G15_032_115	EARLSBORO 4138.00 - MAUD 138KV CKT 1	97.7	0.00717	106.0655	MAUD (MAUD1) 138/69/13.2KV TRANSFORMER CKT 1
15SP	06ALL	2	TO->FROM	G15_032_115	EARLSBORO 4138.00 - MAUD 138KV CKT 1	97.7	0.00696	100.9273	CANADIAN RIVER - MCALESTER SOUTH 138KV CKT 1
15SP	06ALL	2	TO->FROM	G15_032_115	EARLSBORO 4138.00 - MAUD 138KV CKT 1	97.7	0.00688	100.9273	SPP-SWPS-T54
15WP	06ALL	2	TO->FROM	G15_032_115	EARLSBORO 4138.00 - MAUD 138KV CKT 1	97.7	0.00696	100.9273	CANADIAN RIVER - MCALESTER SOUTH 138KV CKT 1
15WP	06ALL	2	TO->FROM	G15_032_115	EARLSBORO 4138.00 - MAUD 138KV CKT 1	97.7	0.00688	100.9273	SPP-SWPS-T54
25SP	06ALL	2	FROM->TO	G15_032_115	EDDY_NORTH 6230.00 (WAUK WT01134) 230/115/13.2KV TRANSFORMER CKT 2	285	0.00816	104.5432	EDDY COUNTY INTERCHANGE - EDDY_NORTH 6230.00 230KV CKT @1
25SP	06ALL	2	FROM->TO	G15_032_115	EDDY_NORTH 6230.00 (WAUK WT01134) 230/115/13.2KV TRANSFORMER CKT 2	286.3	0.00816	103.9986	EDDY COUNTY INTERCHANGE - EDDY_NORTH 6230.00 230KV CKT @1
15G	06ALL	2	FROM->TO	G15_032_115	ELDORADO - ELDORADO JCT 69KV CKT 1	26.9	0.00922	102	LAKE PAULINE - RUSSELL 138KV CKT 1
15G	06ALL	2	FROM->TO	G15_032_115	ELK CITY 230KV (ELKCTY-6) 230/138/13.8KV TRANSFORMER CKT 1	446.9	0.09673	117.1399	CHISHOLM7 345.00 - GRACEMONT 345KV CKT 1
15SP	06ALL	2	FROM->TO	G15_032_115	ELK CITY 230KV (ELKCTY-6) 230/138/13.8KV TRANSFORMER CKT 1	446.4	0.10246	117.1331	CHISHOLM7 345.00 - GRACEMONT 345KV CKT 1
15WP	06ALL	2	FROM->TO	G15_032_115	ELK CITY 230KV (ELKCTY-6) 230/138/13.8KV TRANSFORMER CKT 1	446.4	0.10246	117.1331	CHISHOLM7 345.00 - GRACEMONT 345KV CKT 1
15G	06ALL	2	FROM->TO	G15_032_115	ELK CITY 230KV (ELKCTY-6) 230/138/13.8KV TRANSFORMER CKT 1	449.3	0.09673	116.6032	CHISHOLM7 345.00 - GRACEMONT 345KV CKT 1
15SP	06ALL	2	FROM->TO	G15_032_115	ELK CITY 230KV (ELKCTY-6) 230/138/13.8KV TRANSFORMER CKT 1	449.3	0.10246	116.4661	CHISHOLM7 345.00 - GRACEMONT 345KV CKT 1
15WP	06ALL	2	FROM->TO	G15_032_115	ELK CITY 230KV (ELKCTY-6) 230/138/13.8KV TRANSFORMER CKT 1	449.3	0.10246	116.4661	CHISHOLM7 345.00 - GRACEMONT 345KV CKT 1
15SP	06ALL	2	FROM->TO	G15_032_115	ELK CITY 230KV (ELKCTY-6) 230/138/13.8KV TRANSFORMER CKT 1	446.4	0.08652	103.6102	G14-074T 345.00 - OKLAUNION 345KV CKT 1
15WP	06ALL	2	FROM->TO	G15_032_115	ELK CITY 230KV (ELKCTY-6) 230/138/13.8KV TRANSFORMER CKT 1	446.4	0.08652	103.6102	G14-074T 345.00 - OKLAUNION 345KV CKT 1
15SP	06ALL	2	FROM->TO	G15_032_115	ELK CITY 230KV (ELKCTY-6) 230/138/13.8KV TRANSFORMER CKT 1	449.3	0.08652	103.0527	G14-074T 345.00 - OKLAUNION 345KV CKT 1
15WP	06ALL	2	FROM->TO	G15_032_115	ELK CITY 230KV (ELKCTY-6) 230/138/13.8KV TRANSFORMER CKT 1	449.3	0.08652	103.0527	G14-074T 345.00 - OKLAUNION 345KV CKT 1
15SP	06ALL	2	FROM->TO	G15_032_115	ELK CITY 230KV (ELKCTY-6) 230/138/13.8KV TRANSFORMER CKT 1	446.4	0.09295	101.828	CHISHOLM7 345.00 - WOODWARD DISTRICT EHV 345KV CKT 1
15WP	06ALL	2	FROM->TO	G15_032_115	ELK CITY 230KV (ELKCTY-6) 230/138/13.8KV TRANSFORMER CKT 1	446.4	0.09295	101.828	CHISHOLM7 345.00 - WOODWARD DISTRICT EHV 345KV CKT 1
15SP	06ALL	2	FROM->TO	G15_032_115	ELK CITY 230KV (ELKCTY-6) 230/138/13.8KV TRANSFORMER CKT 1	449.3	0.09295	101.282	CHISHOLM7 345.00 - WOODWARD DISTRICT EHV 345KV CKT 1
15WP	06ALL	2	FROM->TO	G15_032_115	ELK CITY 230KV (ELKCTY-6) 230/138/13.8KV TRANSFORMER CKT 1	449.3	0.09295	101.282	CHISHOLM7 345.00 - WOODWARD DISTRICT EHV 345KV CKT 1

SEASON	GROUP	SCENARIO	DIRECTION	SOURCE	MONITORED ELEMENT	RATE	CONTINGENCY		
						(MVA)	TDF	LOADING %	CONTINGENCY
15SP	06ALL		2	FROM->TO	G15_032_115 ELK CITY 230KV (ELKCTY-6) 230/138/13.8KV TRANSFORMER CKT 1	446.4	0.08652	100.1604	G14-074T 345.00 - TUCO INTERCHANGE 345KV CKT 1
15WP	06ALL		2	FROM->TO	G15_032_115 ELK CITY 230KV (ELKCTY-6) 230/138/13.8KV TRANSFORMER CKT 1	446.4	0.08652	100.1604	G14-074T 345.00 - TUCO INTERCHANGE 345KV CKT 1
15G	06ALL		2	FROM->TO	G15_032_115 FPL SWITCH - MOORELAND 138KV CKT 1	284.1	0.04631	119.1496	DBL-THIS-WWRD
15G	06ALL		2	FROM->TO	G15_032_115 FPL SWITCH - MOORELAND 138KV CKT 1	284.1	0.03805	111.7149	NORTHWEST - TATONGA7 345.00 345KV CKT 1
15G	06ALL		2	FROM->TO	G15_032_115 FPL SWITCH - MOORELAND 138KV CKT 1	284.1	0.03805	110.1661	SPSCont-04
15G	06ALL		2	FROM->TO	G15_032_115 FPL SWITCH - MOORELAND 138KV CKT 1	284.1	0.03805	109.9197	SPSCont-05b
15G	06ALL		2	FROM->TO	G15_032_115 FPL SWITCH - MOORELAND 138KV CKT 1	284.1	0.03764	108.4132	CHISHOLM6 230.00 - ELK CITY 230KV 230KV CKT 1
15G	06ALL		2	FROM->TO	G15_032_115 FPL SWITCH - MOORELAND 138KV CKT 1	284.1	0.03764	108.4132	ELK CITY 230KV (ELKCTY-6) 230/138/13.8KV TRANSFORMER CKT 1
15G	06ALL		2	FROM->TO	G15_032_115 FPL SWITCH - MOORELAND 138KV CKT 1	284.1	0.03805	104.7103	G11_051T 345.00 - TATONGA7 345.00 345KV CKT 1
15G	06ALL		2	FROM->TO	G15_032_115 FPL SWITCH - MOORELAND 138KV CKT 1	284.1	0.03805	103.9359	G11_051T 345.00 - WOODWARD DISTRICT EH 345KV CKT 1
15G	06ALL		2	FROM->TO	G15_032_115 FPL SWITCH - MOORELAND 138KV CKT 1	284.1	0.03805	102.2464	SPSCont-05ax
15G	06ALL		2	FROM->TO	G15_032_115 FPL SWITCH - MOORELAND 138KV CKT 1	284.1	0.02904	102.0605	WOODWARD (WOODWRD2) 138/69/13.2KV TRANSFORMER CKT 1
15G	06ALL		2	TO->FROM	G15_032_115 FPL SWITCH - WOODWARD 138KV CKT 1	285.2	0.04631	112.3436	DBL-THIS-WWRD
15G	06ALL		2	TO->FROM	G15_032_115 FPL SWITCH - WOODWARD 138KV CKT 1	285.2	0.03805	104.9376	NORTHWEST - TATONGA7 345.00 345KV CKT 1
15G	06ALL		2	TO->FROM	G15_032_115 FPL SWITCH - WOODWARD 138KV CKT 1	285.2	0.03805	103.3948	SPSCont-04
15G	06ALL		2	TO->FROM	G15_032_115 FPL SWITCH - WOODWARD 138KV CKT 1	285.2	0.03805	103.1494	SPSCont-05b
15G	06ALL		2	TO->FROM	G15_032_115 FPL SWITCH - WOODWARD 138KV CKT 1	285.2	0.03764	101.6487	CHISHOLM6 230.00 - ELK CITY 230KV 230KV CKT 1
15G	06ALL		2	TO->FROM	G15_032_115 FPL SWITCH - WOODWARD 138KV CKT 1	285.2	0.03764	101.6136	ELK CITY 230KV (ELKCTY-6) 230/138/13.8KV TRANSFORMER CKT 1
15SP	06ALL		2	TO->FROM	G15_032_115 GLASS MOUNTAIN - MOORELAND 138KV CKT 1	122.3	0.02084	109.2608	DBL-THIS-WWRD
15WP	06ALL		2	TO->FROM	G15_032_115 GLASS MOUNTAIN - MOORELAND 138KV CKT 1	122.3	0.02084	109.2608	DBL-THIS-WWRD
15SP	06ALL		2	TO->FROM	G15_032_115 GLASS MOUNTAIN - MOORELAND 138KV CKT 1	122.3	0.01607	100.5429	MOORELAND - NOEL_SW 138.00 138KV CKT 1
15WP	06ALL		2	TO->FROM	G15_032_115 GLASS MOUNTAIN - MOORELAND 138KV CKT 1	122.3	0.01607	100.5429	MOORELAND - NOEL_SW 138.00 138KV CKT 1
15G	06ALL		2	TO->FROM	G15_032_115 GRAPEVINE INTERCHANGE - NICHOLS STATION 230KV CKT 1	350	0.08049	100.188	GRAPEVINE 345.00 - POTTER COUNTY INTERCHANGE 345KV CKT 1
15G	06ALL		2	TO->FROM	G15_032_115 GRAPEVINE INTERCHANGE - NICHOLS STATION 230KV CKT 1	350	0.07677	100.16	DBL-G1114-WWRD
15G	06ALL		2	FROM->TO	G15_032_115 Harrington Station East Bus - POTTER COUNTY INTERCHANGE 230KV CKT 1	347	0.11805	121.2144	CHERRY1 - HARRINGTON STATION 230KV CKT 1
15G	06ALL		2	FROM->TO	G15_032_115 Harrington Station East Bus - POTTER COUNTY INTERCHANGE 230KV CKT 1	347	0.14089	119.7597	CHERRY1 - POTTER COUNTY INTERCHANGE 230KV CKT 1
15G	06ALL		2	TO->FROM	G15_032_115 HAYS PLANT - SOUTH HAYS 115KV CKT 1	98.9	0.00611	115.5005	KNOLL 230 - POSTROCK6 230.00 230KV CKT 1
15SP	06ALL		2	FROM->TO	G15_032_115 HAYS PLANT - VINE STREET 115KV CKT 1	88	0.00586	116.9091	KNOLL 230 - POSTROCK6 230.00 230KV CKT 1
15WP	06ALL		2	FROM->TO	G15_032_115 HAYS PLANT - VINE STREET 115KV CKT 1	88	0.00586	116.9091	KNOLL 230 - POSTROCK6 230.00 230KV CKT 1
15G	06ALL		2	FROM->TO	G15_032_115 HAYS PLANT - VINE STREET 115KV CKT 1	87.9	0.00611	105.9499	KNOLL 230 - POSTROCK6 230.00 230KV CKT 1
15SP	06ALL		2	FROM->TO	G15_032_115 JERICHO (JERIC2WT) 115/69/14.4KV TRANSFORMER CKT 1	45.6	0.00732	107.4035	KIRBY SWITCHING STATION - MCCLELLAN SUB 115KV CKT 1
15WP	06ALL		2	FROM->TO	G15_032_115 JERICHO (JERIC2WT) 115/69/14.4KV TRANSFORMER CKT 1	45.6	0.00732	107.4035	KIRBY SWITCHING STATION - MCCLELLAN SUB 115KV CKT 1
15SP	06ALL		2	FROM->TO	G15_032_115 JERICHO (JERIC2WT) 115/69/14.4KV TRANSFORMER CKT 1	45.9	0.00732	106.7015	KIRBY SWITCHING STATION - MCCLELLAN SUB 115KV CKT 1
15WP	06ALL		2	FROM->TO	G15_032_115 JERICHO (JERIC2WT) 115/69/14.4KV TRANSFORMER CKT 1	45.9	0.00732	106.7015	KIRBY SWITCHING STATION - MCCLELLAN SUB 115KV CKT 1
15SP	06ALL		2	FROM->TO	G15_032_115 JERICHO (JERIC2WT) 115/69/14.4KV TRANSFORMER CKT 1	45.6	0.00732	105.8684	MCCLELLAN SUB - MCLEAN RURAL SUB 115KV CKT 1
15WP	06ALL		2	FROM->TO	G15_032_115 JERICHO (JERIC2WT) 115/69/14.4KV TRANSFORMER CKT 1	45.6	0.00732	105.8684	MCCLELLAN SUB - MCLEAN RURAL SUB 115KV CKT 1
15SP	06ALL		2	FROM->TO	G15_032_115 JERICHO (JERIC2WT) 115/69/14.4KV TRANSFORMER CKT 1	45.9	0.00732	105.1765	MCCLELLAN SUB - MCLEAN RURAL SUB 115KV CKT 1
15WP	06ALL		2	FROM->TO	G15_032_115 JERICHO (JERIC2WT) 115/69/14.4KV TRANSFORMER CKT 1	45.9	0.00732	105.1765	MCCLELLAN SUB - MCLEAN RURAL SUB 115KV CKT 1
15G	06ALL		2	FROM->TO	G15_032_115 JERICHO (JERIC2WT) 115/69/14.4KV TRANSFORMER CKT 1	45.7	0.00747	102.4989	KIRBY SWITCHING STATION - MCCLELLAN SUB 115KV CKT 1
15SP	06ALL		2	FROM->TO	G15_032_115 JERICHO (JERIC2WT) 115/69/14.4KV TRANSFORMER CKT 1	45.6	0.00732	102.3596	SPP-SWPS-T54
15WP	06ALL		2	FROM->TO	G15_032_115 JERICHO (JERIC2WT) 115/69/14.4KV TRANSFORMER CKT 1	45.6	0.00732	102.3596	SPP-SWPS-T54
15G	06ALL		2	FROM->TO	G15_032_115 JERICHO (JERIC2WT) 115/69/14.4KV TRANSFORMER CKT 1	45.9	0.00747	102.0523	KIRBY SWITCHING STATION - MCCLELLAN SUB 115KV CKT 1
15SP	06ALL		2	FROM->TO	G15_032_115 JERICHO (JERIC2WT) 115/69/14.4KV TRANSFORMER CKT 1	45.9	0.00732	101.6906	SPP-SWPS-T54
15WP	06ALL		2	FROM->TO	G15_032_115 JERICHO (JERIC2WT) 115/69/14.4KV TRANSFORMER CKT 1	45.9	0.00732	101.6906	SPP-SWPS-T54
15G	06ALL		2	FROM->TO	G15_032_115 JERICHO (JERIC2WT) 115/69/14.4KV TRANSFORMER CKT 1	45.7	0.00747	101.186	MCCLELLAN SUB - MCLEAN RURAL SUB 115KV CKT 1
15SP	06ALL		2	FROM->TO	G15_032_115 JERICHO (JERIC2WT) 115/69/14.4KV TRANSFORMER CKT 1	45.6	0.00732	100.8246	MCLEAN RURAL SUB - SHAMROCK 115KV CKT 1
15SP	06ALL		2	FROM->TO	G15_032_115 JERICHO (JERIC2WT) 115/69/14.4KV TRANSFORMER CKT 1	45.6	0.00732	100.8246	SHAMROCK (SHAMRCK1) 115/69/14.4KV TRANSFORMER CKT 1
15WP	06ALL		2	FROM->TO	G15_032_115 JERICHO (JERIC2WT) 115/69/14.4KV TRANSFORMER CKT 1	45.6	0.00732	100.8246	MCLEAN RURAL SUB - SHAMROCK 115KV CKT 1
15WP	06ALL		2	FROM->TO	G15_032_115 JERICHO (JERIC2WT) 115/69/14.4KV TRANSFORMER CKT 1	45.6	0.00732	100.8246	SHAMROCK (SHAMRCK1) 115/69/14.4KV TRANSFORMER CKT 1
15G	06ALL		2	FROM->TO	G15_032_115 JERICHO (JERIC2WT) 115/69/14.4KV TRANSFORMER CKT 1	45.9	0.00747	100.7451	MCCLELLAN SUB - MCLEAN RURAL SUB 115KV CKT 1
15SP	06ALL		2	FROM->TO	G15_032_115 JERICHO (JERIC2WT) 115/69/14.4KV TRANSFORMER CKT 1	45.9	0.00732	100.1656	MCLEAN RURAL SUB - SHAMROCK 115KV CKT 1
15SP	06ALL		2	FROM->TO	G15_032_115 JERICHO (JERIC2WT) 115/69/14.4KV TRANSFORMER CKT 1	45.9	0.00732	100.1656	SHAMROCK (SHAMRCK1) 115/69/14.4KV TRANSFORMER CKT 1
15WP	06ALL		2	FROM->TO	G15_032_115 JERICHO (JERIC2WT) 115/69/14.4KV TRANSFORMER CKT 1	45.9	0.00732	100.1656	MCLEAN RURAL SUB - SHAMROCK 115KV CKT 1
15WP	06ALL		2	FROM->TO	G15_032_115 JERICHO (JERIC2WT) 115/69/14.4KV TRANSFORMER CKT 1	45.9	0.00732	100.1656	SHAMROCK (SHAMRCK1) 115/69/14.4KV TRANSFORMER CKT 1
25SP	00NR		2	TO->FROM	G15_032_115 LUBBOCK POWER & LIGHT-CO-OP - LUBBOCK POWER & LIGHT-SLATON 69KV CKT 1	53.5	0.00707	154.4318	LUBBOCK POWER & LIGHT-CO-OP - LUBBOCK POWER & LIGHT-WADSWORTH 69KV CKT 1
20SP	00NR		2	TO->FROM	G15_032_115 LUBBOCK POWER & LIGHT-CO-OP - LUBBOCK POWER & LIGHT-SLATON 69KV CKT 1	53.6	0.00984	138.3433	LUBBOCK POWER & LIGHT-CO-OP - LUBBOCK POWER & LIGHT-WADSWORTH 69KV CKT 1
15SP	00NR		2	TO->FROM	G15_032_115 LUBBOCK POWER & LIGHT-CO-OP - LUBBOCK POWER & LIGHT-SLATON 69KV CKT 1	53.9	0.0096	115.3618	LUBBOCK POWER & LIGHT-CO-OP - LUBBOCK POWER & LIGHT-WADSWORTH 69KV CKT 1
20WP	00NR		2	TO->FROM	G15_032_115 LUBBOCK POWER & LIGHT-CO-OP - LUBBOCK POWER & LIGHT-SLATON 69KV CKT 1	53.9	0.01603	105.397	LUBBOCK POWER & LIGHT-CO-OP - LUBBOCK POWER & LIGHT-WADSWORTH 69KV CKT 1
25SP	00NR		2	TO->FROM	G15_032_115 LUBBOCK POWER & LIGHT-CO-OP - LUBBOCK POWER & LIGHT-WADSWORTH 69KV CKT 1	105.6	0.00715	126.9366	BASE CASE
25SP	00NR		2	TO->FROM	G15_032_115 LUBBOCK POWER & LIGHT-CO-OP - LUBBOCK POWER & LIGHT-WADSWORTH 69KV CKT 1	141.2	0.00866	125.4943	LUBBOCK POWER & LIGHT-SLATON - LUBBOCK POWER & LIGHT-SOUTHEAST 69KV CKT 1

SEASON	GROUP	SCENARIO	DIRECTION	SOURCE	MONITORED ELEMENT	RATE (MVA)	TDF	CONTINGENCY LOADING %	CONTINGENCY
25SP	00NR		2 TO->FROM	G15_032_115	LUBBOCK POWER & LIGHT-CO-OP - LUBBOCK POWER & LIGHT-WADSWORTH 69KV CKT 1	141.2	0.00945	116.0305	LUBBOCK POWER & LIGHT-SOUTHEAST - LUBBOCK SOUTH INTERCHANGE 230KV CKT 1
25SP	00NR		2 TO->FROM	G15_032_115	LUBBOCK POWER & LIGHT-CO-OP - LUBBOCK POWER & LIGHT-WADSWORTH 69KV CKT 1	141.2	0.00895	114.2953	LUBBOCK POWER & LIGHT-HOLLY GEN - LUBBOCK POWER & LIGHT-NORTHEAST 69KV CKT 1
20SP	00NR		2 TO->FROM	G15_032_115	LUBBOCK POWER & LIGHT-CO-OP - LUBBOCK POWER & LIGHT-WADSWORTH 69KV CKT 1	108	0.00981	113.6509	BASE CASE
20SP	00NR		2 TO->FROM	G15_032_115	LUBBOCK POWER & LIGHT-CO-OP - LUBBOCK POWER & LIGHT-WADSWORTH 69KV CKT 1	143	0.01183	113.3909	LUBBOCK POWER & LIGHT-SLATON - LUBBOCK POWER & LIGHT-SOUTHEAST 69KV CKT 1
25SP	00NR		2 TO->FROM	G15_032_115	LUBBOCK POWER & LIGHT-CO-OP - LUBBOCK POWER & LIGHT-WADSWORTH 69KV CKT 1	141.2	0.00912	111.0737	CARLISLE INTERCHANGE - LUBBOCK POWER & LIGHT-MILWAUKEE 230KV CKT 1
25SP	00NR		2 TO->FROM	G15_032_115	LUBBOCK POWER & LIGHT-CO-OP - LUBBOCK POWER & LIGHT-WADSWORTH 69KV CKT 1	141.2	0.00912	111.0028	LUBBOCK POWER & LIGHT-MILWAUKEE (M-E C0681251) 230/69/13.5KV TRANSFORMER CKT 1
25SP	00NR		2 TO->FROM	G15_032_115	LUBBOCK POWER & LIGHT-CO-OP - LUBBOCK POWER & LIGHT-WADSWORTH 69KV CKT 1	141.2	0.00912	111.0028	SPP-SWPS-K39
15SP	00NR		2 TO->FROM	G15_032_115	LUBBOCK POWER & LIGHT-CO-OP - LUBBOCK POWER & LIGHT-WADSWORTH 69KV CKT 1	108	0.01066	109.7204	BASE CASE
25SP	00NR		2 TO->FROM	G15_032_115	LUBBOCK POWER & LIGHT-CO-OP - LUBBOCK POWER & LIGHT-WADSWORTH 69KV CKT 1	141.2	0.00741	108.7982	LUBBOCK POWER & LIGHT-OLIVER - LUBBOCK POWER & LIGHT-SOUTHEAST 69KV CKT 1
15SP	00NR		2 TO->FROM	G15_032_115	LUBBOCK POWER & LIGHT-CO-OP - LUBBOCK POWER & LIGHT-WADSWORTH 69KV CKT 1	143	0.01222	104.5916	LUBBOCK POWER & LIGHT-SLATON - LUBBOCK POWER & LIGHT-SOUTHEAST 69KV CKT 1
25SP	00NR		2 TO->FROM	G15_032_115	LUBBOCK POWER & LIGHT-CO-OP - LUBBOCK POWER & LIGHT-WADSWORTH 69KV CKT 1	141.2	0.00895	103.4596	LUBBOCK POWER & LIGHT-MACKENZIE GEN - LUBBOCK POWER & LIGHT-NORTHEAST 69KV CKT 1
20SP	00NR		2 TO->FROM	G15_032_115	LUBBOCK POWER & LIGHT-CO-OP - LUBBOCK POWER & LIGHT-WADSWORTH 69KV CKT 1	143	0.01214	103.386	LUBBOCK POWER & LIGHT-HOLLY GEN - LUBBOCK POWER & LIGHT-NORTHEAST 69KV CKT 1
20SP	00NR		2 TO->FROM	G15_032_115	LUBBOCK POWER & LIGHT-CO-OP - LUBBOCK POWER & LIGHT-WADSWORTH 69KV CKT 1	143	0.01352	103.3259	LUBBOCK POWER & LIGHT-SOUTHEAST - LUBBOCK SOUTH INTERCHANGE 230KV CKT 1
25SP	00NR		2 TO->FROM	G15_032_115	LUBBOCK POWER & LIGHT-CO-OP - LUBBOCK POWER & LIGHT-WADSWORTH 69KV CKT 1	141.2	0.00801	102.835	LUBBOCK POWER & LIGHT-SOUTHEAST (ABB 60258) 230/69/13.5KV TRANSFORMER CKT 1
25SP	00NR		2 TO->FROM	G15_032_115	LUBBOCK POWER & LIGHT-CO-OP - LUBBOCK POWER & LIGHT-WADSWORTH 69KV CKT 1	141.2	0.00796	102.3286	LUBBOCK POWER & LIGHT-SOUTHEAST (FRM WADSWRTH) 230/69/13.5KV TRANSFORMER CKT 2
25SP	00NR		2 TO->FROM	G15_032_115	LUBBOCK POWER & LIGHT-CO-OP - LUBBOCK POWER & LIGHT-WADSWORTH 69KV CKT 1	141.2	0.00749	101.5914	LUBBOCK POWER & LIGHT-CHALKER - LUBBOCK POWER & LIGHT-THOMPSON 69KV CKT 1
25SP	00NR		2 TO->FROM	G15_032_115	LUBBOCK POWER & LIGHT-CO-OP - LUBBOCK POWER & LIGHT-WADSWORTH 69KV CKT 1	141.2	0.00657	100.9001	LUBBOCK POWER & LIGHT-HOLLY GEN - LUBBOCK POWER & LIGHT-SOUTHEAST 69KV CKT 1
25SP	00NR		2 TO->FROM	G15_032_115	LUBBOCK POWER & LIGHT-CO-OP - LUBBOCK POWER & LIGHT-WADSWORTH 69KV CKT 1	141.2	0.00741	100.512	LUBBOCK POWER & LIGHT-CHALKER - LUBBOCK POWER & LIGHT-OLIVER 69KV CKT 1
25SP	00NR		2 TO->FROM	G15_032_115	LUBBOCK POWER & LIGHT-SLATON - LUBBOCK POWER & LIGHT-SOUTHEAST 69KV CKT 1	143	0.00732	121.186	LUBBOCK POWER & LIGHT-CO-OP - LUBBOCK POWER & LIGHT-WADSWORTH 69KV CKT 1
20SP	00NR		2 TO->FROM	G15_032_115	LUBBOCK POWER & LIGHT-SLATON - LUBBOCK POWER & LIGHT-SOUTHEAST 69KV CKT 1	142.8	0.0099	110.8333	LUBBOCK POWER & LIGHT-CO-OP - LUBBOCK POWER & LIGHT-WADSWORTH 69KV CKT 1
20SP	00NR		2 TO->FROM	G15_032_115	LUBBOCK POWER & LIGHT-SLATON - LUBBOCK POWER & LIGHT-SOUTHEAST 69KV CKT 1	142.8	0.00594	109.021	LUBBOCK POWER & LIGHT-OLIVER - LUBBOCK POWER & LIGHT-SOUTHEAST 69KV CKT 1
15G	06ALL		2 TO->FROM	G15_032_115	MANHATTAN TAP - RANDALL COUNTY INTERCHANGE 115KV CKT 1	159.4	0.19269	117	OSAGE SWITCHING STATION - RANDALL COUNTY INTERCHANGE 115KV CKT 1
20SP	06ALL		2 TO->FROM	G15_032_115	NORGE ROAD - SOUTHWESTERN STATION 138KV CKT 1	135.7	0.01107	110.7472	SOUTHWESTERN STATION - VERDEN 138KV CKT 1
20WP	06ALL		2 TO->FROM	G15_032_115	NORGE ROAD - SOUTHWESTERN STATION 138KV CKT 1	135.7	0.01107	110.7472	SOUTHWESTERN STATION - VERDEN 138KV CKT 1
20SP	06ALL		2 TO->FROM	G15_032_115	NORGE ROAD - SOUTHWESTERN STATION 138KV CKT 1	135.7	0.01107	109.2734	NORTH 29TH CHICKASHA - VERDEN 138KV CKT 1
20WP	06ALL		2 TO->FROM	G15_032_115	NORGE ROAD - SOUTHWESTERN STATION 138KV CKT 1	135.7	0.01107	109.2734	NORTH 29TH CHICKASHA - VERDEN 138KV CKT 1
20SP	06ALL		2 TO->FROM	G15_032_115	NORGE ROAD - SOUTHWESTERN STATION 138KV CKT 1	135.7	0.01575	106.3714	CIMARRON - MINCO 345KV CKT 1
20WP	06ALL		2 TO->FROM	G15_032_115	NORGE ROAD - SOUTHWESTERN STATION 138KV CKT 1	135.7	0.01575	106.3714	CIMARRON - MINCO 345KV CKT 1
20SP	06ALL		2 TO->FROM	G15_032_115	NORGE ROAD - SOUTHWESTERN STATION 138KV CKT 1	135.7	0.01107	106.1783	CORNVILLE - NORTH 29TH CHICKASHA 138KV CKT 1
20WP	06ALL		2 TO->FROM	G15_032_115	NORGE ROAD - SOUTHWESTERN STATION 138KV CKT 1	135.7	0.01107	106.1783	CORNVILLE - NORTH 29TH CHICKASHA 138KV CKT 1
20SP	06ALL		2 TO->FROM	G15_032_115	NORGE ROAD - SOUTHWESTERN STATION 138KV CKT 1	135.7	0.01026	104.1253	ANADARKO - CORN TAP 138KV CKT 1
20WP	06ALL		2 TO->FROM	G15_032_115	NORGE ROAD - SOUTHWESTERN STATION 138KV CKT 1	135.7	0.01026	104.1253	ANADARKO - CORN TAP 138KV CKT 1
20SP	06ALL		2 TO->FROM	G15_032_115	NORGE ROAD - SOUTHWESTERN STATION 138KV CKT 1	135.7	0.01575	102.8342	GRACEMONT - MINCO 345KV CKT 1
20WP	06ALL		2 TO->FROM	G15_032_115	NORGE ROAD - SOUTHWESTERN STATION 138KV CKT 1	135.7	0.01575	102.8342	GRACEMONT - MINCO 345KV CKT 1
25SP	06ALL		2 TO->FROM	G15_032_115	NORGE ROAD - SOUTHWESTERN STATION 138KV CKT 1	135.8	0.01062	100.0884	SOUTHWESTERN STATION - VERDEN 138KV CKT 1
15G	06ALL		2 TO->FROM	G15_032_115	OSAGE SWITCHING STATION - RANDALL COUNTY INTERCHANGE 115KV CKT 1	159.5	0.18901	115.3078	MANHATTAN TAP - RANDALL COUNTY INTERCHANGE 115KV CKT 1
15G	06ALL		2 TO->FROM	G15_032_115	OSAGE SWITCHING STATION - RANDALL COUNTY INTERCHANGE 115KV CKT 1	159.5	0.17826	110.6558	SPP-SWPS-V04
15SP	06ALL		2 FROM->TO	G15_032_115	PRINGLE INTERCHANGE - SPEARMAN INTERCHANGE 115KV CKT 1	159.7	0.04108	104.9242	PRINGLE INTERCHANGE - SPEARMAN INTERCHANGE 115KV CKT 2
15WP	06ALL		2 FROM->TO	G15_032_115	PRINGLE INTERCHANGE - SPEARMAN INTERCHANGE 115KV CKT 1	159.7	0.04108	104.9242	PRINGLE INTERCHANGE - SPEARMAN INTERCHANGE 115KV CKT 2
15G	06ALL		2 FROM->TO	G15_032_115	PRINGLE INTERCHANGE - SPEARMAN INTERCHANGE 115KV CKT 1	158.4	0.04003	103.827	PRINGLE INTERCHANGE - SPEARMAN INTERCHANGE 115KV CKT 2
15G	06ALL		2 FROM->TO	G15_032_115	SHAMROCK (SHAMRCK1) 115/69/14.4KV TRANSFORMER CKT 1	66	0.01513	106.2879	CHISHOLM6 230.00 - SWEETWATER 230KV CKT 1
15G	06ALL		2 FROM->TO	G15_032_115	SHAMROCK (SHAMRCK1) 115/69/14.4KV TRANSFORMER CKT 1	66	0.0136	105.7909	HWRDWCK2 69.000 - JERICO 69KV CKT 1
15G	06ALL		2 FROM->TO	G15_032_115	SHAMROCK (SHAMRCK1) 115/69/14.4KV TRANSFORMER CKT 1	66	0.0136	105.7909	JERICO - KIRBY SWITCHING STATION 115KV CKT 1
15G	06ALL		2 FROM->TO	G15_032_115	SHAMROCK (SHAMRCK1) 115/69/14.4KV TRANSFORMER CKT 1	66	0.0136	105.7909	JERICO (JERIC2WT) 115/69/14.4KV TRANSFORMER CKT 1
15G	06ALL		2 FROM->TO	G15_032_115	SHAMROCK (SHAMRCK1) 115/69/14.4KV TRANSFORMER CKT 1	66	0.0136	105.0333	CLARENDON - HWRDWCK2 69.000 69KV CKT 1
15G	06ALL		2 FROM->TO	G15_032_115	SHAMROCK (SHAMRCK1) 115/69/14.4KV TRANSFORMER CKT 1	66	0.01423	104.7455	G14-074T 345.00 - OKLAUNION 345KV CKT 1
15G	06ALL		2 FROM->TO	G15_032_115	SHAMROCK (SHAMRCK1) 115/69/14.4KV TRANSFORMER CKT 1	67.1	0.01513	104.6945	CHISHOLM6 230.00 - SWEETWATER 230KV CKT 1
15G	06ALL		2 FROM->TO	G15_032_115	SHAMROCK (SHAMRCK1) 115/69/14.4KV TRANSFORMER CKT 1	67.1	0.0136	104.2057	HWRDWCK2 69.000 - JERICO 69KV CKT 1
15G	06ALL		2 FROM->TO	G15_032_115	SHAMROCK (SHAMRCK1) 115/69/14.4KV TRANSFORMER CKT 1	67.1	0.0136	104.2057	JERICO - KIRBY SWITCHING STATION 115KV CKT 1
15G	06ALL		2 FROM->TO	G15_032_115	SHAMROCK (SHAMRCK1) 115/69/14.4KV TRANSFORMER CKT 1	67.1	0.0136	104.2057	JERICO (JERIC2WT) 115/69/14.4KV TRANSFORMER CKT 1
15G	06ALL		2 FROM->TO	G15_032_115	SHAMROCK (SHAMRCK1) 115/69/14.4KV TRANSFORMER CKT 1	66	0.01513	104.0152	GRAPEVINE INTERCHANGE - STATELINE INTERCHANGE 230KV CKT 1
15G	06ALL		2 FROM->TO	G15_032_115	SHAMROCK (SHAMRCK1) 115/69/14.4KV TRANSFORMER CKT 1	67.1	0.0136	103.4605	CLARENDON - HWRDWCK2 69.000 69KV CKT 1

SEASON	GROUP	SCENARIO	DIRECTION	SOURCE	MONITORED ELEMENT	RATE	CONTINGENCY		
						(MVA)	TDF	LOADING %	CONTINGENCY
15G	06ALL	2	FROM->TO	G15_032_115	SHAMROCK (SHAMRCK1) 115/69/14.4KV TRANSFORMER CKT 1	66	0.01357	103.4303	CHISHOLM6 230.00 - ELK CITY 230KV 230KV CKT 1
15G	06ALL	2	FROM->TO	G15_032_115	SHAMROCK (SHAMRCK1) 115/69/14.4KV TRANSFORMER CKT 1	66	0.01357	103.4303	ELK CITY 230KV (ELKCTY-6) 230/138/13.8KV TRANSFORMER CKT 1
15G	06ALL	2	FROM->TO	G15_032_115	SHAMROCK (SHAMRCK1) 115/69/14.4KV TRANSFORMER CKT 1	66	0.01394	103.3212	CHISHOLM7 345.00 - GRACEMONT 345KV CKT 1
15G	06ALL	2	FROM->TO	G15_032_115	SHAMROCK (SHAMRCK1) 115/69/14.4KV TRANSFORMER CKT 1	67.1	0.01423	103.1774	G14-074T 345.00 - OKLAUNION 345KV CKT 1
15G	06ALL	2	FROM->TO	G15_032_115	SHAMROCK (SHAMRCK1) 115/69/14.4KV TRANSFORMER CKT 1	67.1	0.01513	102.608	GRAPEVINE INTERCHANGE - STATELINE INTERCHANGE 230KV CKT 1
15G	06ALL	2	FROM->TO	G15_032_115	SHAMROCK (SHAMRCK1) 115/69/14.4KV TRANSFORMER CKT 1	66	0.0136	102.003	CLARENDON - CLARENDON REC 69KV CKT 1
15G	06ALL	2	FROM->TO	G15_032_115	SHAMROCK (SHAMRCK1) 115/69/14.4KV TRANSFORMER CKT 1	67.1	0.01357	101.8838	CHISHOLM6 230.00 - ELK CITY 230KV 230KV CKT 1
15G	06ALL	2	FROM->TO	G15_032_115	SHAMROCK (SHAMRCK1) 115/69/14.4KV TRANSFORMER CKT 1	67.1	0.01357	101.8838	ELK CITY 230KV (ELKCTY-6) 230/138/13.8KV TRANSFORMER CKT 1
15G	06ALL	2	FROM->TO	G15_032_115	SHAMROCK (SHAMRCK1) 115/69/14.4KV TRANSFORMER CKT 1	67.1	0.01394	101.7765	CHISHOLM7 345.00 - GRACEMONT 345KV CKT 1
15G	06ALL	2	FROM->TO	G15_032_115	SHAMROCK (SHAMRCK1) 115/69/14.4KV TRANSFORMER CKT 1	66	0.01423	101.4121	G14-074T 345.00 - TUCO INTERCHANGE 345KV CKT 1
15G	06ALL	2	FROM->TO	G15_032_115	SHAMROCK (SHAMRCK1) 115/69/14.4KV TRANSFORMER CKT 1	66	0.0136	100.7909	CLARENDON REC - HEDLEY 69KV CKT 1
15G	06ALL	2	FROM->TO	G15_032_115	SHAMROCK (SHAMRCK1) 115/69/14.4KV TRANSFORMER CKT 1	66	0.01343	100.5212	DBL-G1114-WWRD
15G	06ALL	2	FROM->TO	G15_032_115	SHAMROCK (SHAMRCK1) 115/69/14.4KV TRANSFORMER CKT 1	67.1	0.0136	100.4799	CLARENDON - CLARENDON REC 69KV CKT 1
15G	06ALL	2	FROM->TO	G15_032_115	SHAMROCK (SHAMRCK1) 115/69/14.4KV TRANSFORMER CKT 1	66	0.01513	100.3788	SPP-SWPS-02
15G	06ALL	2	FROM->TO	G15_032_115	SHAMROCK (SHAMRCK1) 115/69/14.4KV TRANSFORMER CKT 1	66	0.01513	100.3788	STATELINE INTERCHANGE - STLN-DEMARC6 230KV CKT 1
15G	06ALL	2	FROM->TO	G15_032_115	SHAMROCK (SHAMRCK1) 115/69/14.4KV TRANSFORMER CKT 1	66	0.01513	100.3788	STLN-DEMARC6 - SWEETWATER 230KV CKT 1
15SP	06ALL	2	FROM->TO	G15_032_115	SHAMROCK (SHAMRCK1) 115/69/14.4KV TRANSFORMER CKT 1	67.2	0.01337	100.1964	HWRDWC2 69.000 - JERICHO 69KV CKT 1
15SP	06ALL	2	FROM->TO	G15_032_115	SHAMROCK (SHAMRCK1) 115/69/14.4KV TRANSFORMER CKT 1	67.2	0.01337	100.1964	JERICHO - KIRBY SWITCHING STATION 115KV CKT 1
15SP	06ALL	2	FROM->TO	G15_032_115	SHAMROCK (SHAMRCK1) 115/69/14.4KV TRANSFORMER CKT 1	67.2	0.01337	100.1964	JERICHO (JERIC2WT) 115/69/14.4KV TRANSFORMER CKT 1
15WP	06ALL	2	FROM->TO	G15_032_115	SHAMROCK (SHAMRCK1) 115/69/14.4KV TRANSFORMER CKT 1	67.2	0.01337	100.1964	HWRDWC2 69.000 - JERICHO 69KV CKT 1
15WP	06ALL	2	FROM->TO	G15_032_115	SHAMROCK (SHAMRCK1) 115/69/14.4KV TRANSFORMER CKT 1	67.2	0.01337	100.1964	JERICHO - KIRBY SWITCHING STATION 115KV CKT 1
15WP	06ALL	2	FROM->TO	G15_032_115	SHAMROCK (SHAMRCK1) 115/69/14.4KV TRANSFORMER CKT 1	67.2	0.01337	100.1964	JERICHO (JERIC2WT) 115/69/14.4KV TRANSFORMER CKT 1
20SP	06ALL	2	TO->FROM	G15_032_115	SUNSHINE CANYON - TUTTLE 138KV CKT 1	141.6	0.02156	104.6511	CIMARRON - MINCO 345KV CKT 1
20WP	06ALL	2	TO->FROM	G15_032_115	SUNSHINE CANYON - TUTTLE 138KV CKT 1	141.6	0.02156	104.6511	CIMARRON - MINCO 345KV CKT 1
15SP	06ALL	2	TO->FROM	G15_032_115	SUNSHINE CANYON - TUTTLE 138KV CKT 1	141.6	0.0229	104.0226	CIMARRON - MINCO 345KV CKT 1
15WP	06ALL	2	TO->FROM	G15_032_115	SUNSHINE CANYON - TUTTLE 138KV CKT 1	141.6	0.0229	104.0226	CIMARRON - MINCO 345KV CKT 1
20SP	06ALL	2	TO->FROM	G15_032_115	SUNSHINE CANYON - TUTTLE 138KV CKT 1	141.6	0.02156	99.9901	GRACEMONT - MINCO 345KV CKT 1
20WP	06ALL	2	TO->FROM	G15_032_115	SUNSHINE CANYON - TUTTLE 138KV CKT 1	141.6	0.02156	99.9901	GRACEMONT - MINCO 345KV CKT 1
15SP	06ALL	2	FROM->TO	G15_032_115	THOMAS TAP - WEATHERFORD 69KV CKT 1	39	0.00797	114.2821	CLINTON JUNCTION - CLINTON NATURAL GAS TAP 138KV CKT 1
15WP	06ALL	2	FROM->TO	G15_032_115	THOMAS TAP - WEATHERFORD 69KV CKT 1	39	0.00797	114.2821	CLINTON JUNCTION - CLINTON NATURAL GAS TAP 138KV CKT 1
15G	06ALL	2	FROM->TO	G15_032_115	TUCO INTERCHANGE (GE M1022338) 345/230/13.2KV TRANSFORMER CKT 1	555.2	0.15145	101.4236	TUCO INTERCHANGE (SIEM 8743066) 345/230/13.2KV TRANSFORMER CKT 2
15G	06ALL	2	FROM->TO	G15_032_115	TUCO INTERCHANGE (GE M1022338) 345/230/13.2KV TRANSFORMER CKT 1	557.4	0.15145	100.9516	TUCO INTERCHANGE (SIEM 8743066) 345/230/13.2KV TRANSFORMER CKT 2
15G	06ALL	2	FROM->TO	G15_032_115	WICHITA (WICH TX-12) 345/138/13.8KV TRANSFORMER CKT 1	413.2	0.01249	106.6636	WICHITA (WICH TX-11) 345/138/13.8KV TRANSFORMER CKT 1
15G	06ALL	2	FROM->TO	G15_032_115	WICHITA (WICH TX-12) 345/138/13.8KV TRANSFORMER CKT 1	419.7	0.01249	104.8925	WICHITA (WICH TX-11) 345/138/13.8KV TRANSFORMER CKT 1
25SP	00NR	2	FROM->TO	G15_032_115	WOLFFORTH INTERCHANGE (WH 7001668) 230/115/13.2KV TRANSFORMER CKT 1	140.3	0.01934	100.6429	CARLISLE INTERCHANGE - LP-DOUD_TP 3115.00 115KV CKT 1
15G	06ALL	2	FROM->TO	G15_032_115	WOODWARD (WOODWRD2) 138/69/13.2KV TRANSFORMER CKT 1	133.3	0.01076	100.045	FPL SWITCH - MOORELAND 138KV CKT 1
20SP	06ALL	3	FROM->TO	G15_032_115	ANADARKO - CORN TAP 138KV CKT 1	142.8	0.01466	100.1961	CIMARRON - MINCO 345KV CKT 1
20WP	06ALL	3	FROM->TO	G15_032_115	ANADARKO - CORN TAP 138KV CKT 1	142.8	0.01466	100.1961	CIMARRON - MINCO 345KV CKT 1
15G	06ALL	3	TO->FROM	G15_032_115	ANADARKO - GRACMNT4 138.00 138KV CKT 1	225.1	0.05292	127.554	CIMARRON - MINCO 345KV CKT 1
15G	06ALL	3	TO->FROM	G15_032_115	ANADARKO - GRACMNT4 138.00 138KV CKT 1	225.1	0.05292	119.3798	GRACEMONT - MINCO 345KV CKT 1
15G	06ALL	3	TO->FROM	G15_032_115	ANADARKO - GRACMNT4 138.00 138KV CKT 1	225.1	0.03017	106.9427	SOUTHWESTERN STATION - WASHITA 138KV CKT 1
15SP	06ALL	3	FROM->TO	G15_032_115	BENTLEY4 138.00 - HALSTEAD SOUTH BUS 138KV CKT 1	142.2	0.00688	108.2686	RENO COUNTY - WICHITA 345KV CKT 1
15WP	06ALL	3	FROM->TO	G15_032_115	BENTLEY4 138.00 - HALSTEAD SOUTH BUS 138KV CKT 1	142.2	0.00688	108.2686	RENO COUNTY - WICHITA 345KV CKT 1
20SP	06ALL	3	FROM->TO	G15_032_115	CLEARWATER - GILL ENERGY CENTER WEST 138KV CKT 1	142.2	0.01392	102.4233	GILL ENERGY CENTER SOUTH - VIOLA 4 138.00 138KV CKT 1
20WP	06ALL	3	FROM->TO	G15_032_115	CLEARWATER - GILL ENERGY CENTER WEST 138KV CKT 1	142.2	0.01392	102.4233	GILL ENERGY CENTER SOUTH - VIOLA 4 138.00 138KV CKT 1
15SP	06ALL	3	TO->FROM	G15_032_115	CLINTON CITY - FOSS TAP 69KV CKT 1	74.5	0.00797	103.4497	CLINTON JUNCTION - CLINTON NATURAL GAS TAP 138KV CKT 1
15WP	06ALL	3	TO->FROM	G15_032_115	CLINTON CITY - FOSS TAP 69KV CKT 1	74.5	0.00797	103.4497	CLINTON JUNCTION - CLINTON NATURAL GAS TAP 138KV CKT 1
15SP	06ALL	3	FROM->TO	G15_032_115	CLINTON CITY - THOMAS TAP 69KV CKT 1	38.9	0.00797	125.6298	CLINTON JUNCTION - CLINTON NATURAL GAS TAP 138KV CKT 1
15WP	06ALL	3	FROM->TO	G15_032_115	CLINTON CITY - THOMAS TAP 69KV CKT 1	38.9	0.00797	125.6298	CLINTON JUNCTION - CLINTON NATURAL GAS TAP 138KV CKT 1
20SP	06ALL	3	FROM->TO	G15_032_115	CLINTON CITY - THOMAS TAP 69KV CKT 1	39	0.00761	102.959	CLINTON JUNCTION - CLINTON NATURAL GAS TAP 138KV CKT 1
20WP	06ALL	3	FROM->TO	G15_032_115	CLINTON CITY - THOMAS TAP 69KV CKT 1	39	0.00761	102.959	CLINTON JUNCTION - CLINTON NATURAL GAS TAP 138KV CKT 1
15G	06ALL	3	FROM->TO	G15_032_115	CLINTON CITY - THOMAS TAP 69KV CKT 1	47.9	0.00775	101.1232	CLINTON JUNCTION - CLINTON NATURAL GAS TAP 138KV CKT 1
15SP	06ALL	3	TO->FROM	G15_032_115	CLINTON JUNCTION - ELK CITY 138KV CKT 1	148.8	0.04319	140.6815	CHISHOLM7 345.00 - GRACEMONT 345KV CKT 1
15WP	06ALL	3	TO->FROM	G15_032_115	CLINTON JUNCTION - ELK CITY 138KV CKT 1	148.8	0.04319	140.6815	CHISHOLM7 345.00 - GRACEMONT 345KV CKT 1
15G	06ALL	3	TO->FROM	G15_032_115	CLINTON JUNCTION - ELK CITY 138KV CKT 1	185.1	0.04171	124.1297	CHISHOLM7 345.00 - GRACEMONT 345KV CKT 1
15SP	06ALL	3	TO->FROM	G15_032_115	CLINTON JUNCTION - ELK CITY 138KV CKT 1	148.8	0.03619	122.8078	G14-074T 345.00 - OKLAUNION 345KV CKT 1
15WP	06ALL	3	TO->FROM	G15_032_115	CLINTON JUNCTION - ELK CITY 138KV CKT 1	148.8	0.03619	122.8078	G14-074T 345.00 - OKLAUNION 345KV CKT 1
15SP	06ALL	3	TO->FROM	G15_032_115	CLINTON JUNCTION - ELK CITY 138KV CKT 1	148.8	0.02232	120.3723	ONEY - WASHITA 138KV CKT 1
15WP	06ALL	3	TO->FROM	G15_032_115	CLINTON JUNCTION - ELK CITY 138KV CKT 1	148.8	0.02232	120.3723	ONEY - WASHITA 138KV CKT 1
15SP	06ALL	3	TO->FROM	G15_032_115	CLINTON JUNCTION - ELK CITY 138KV CKT 1	148.8	0.03619	118.7755	G14-074T 345.00 - TUCO INTERCHANGE 345KV CKT 1
15WP	06ALL	3	TO->FROM	G15_032_115	CLINTON JUNCTION - ELK CITY 138KV CKT 1	148.8	0.03619	118.7755	G14-074T 345.00 - TUCO INTERCHANGE 345KV CKT 1
15SP	06ALL	3	TO->FROM	G15_032_115	CLINTON JUNCTION - ELK CITY 138KV CKT 1	148.8	0.03315	118.215	NORTHWEST - TATONGA7 345.00 345KV CKT 1
15WP	06ALL	3	TO->FROM	G15_032_115	CLINTON JUNCTION - ELK CITY 138KV CKT 1	148.8	0.03315	118.215	NORTHWEST - TATONGA7 345.00 345KV CKT 1
15SP	06ALL	3	TO->FROM	G15_032_115	CLINTON JUNCTION - ELK CITY 138KV CKT 1	148.8	0.02232	117.8185	BINGER NUJECT - ONEY 138KV CKT 1
15WP	06ALL	3	TO->FROM	G15_032_115	CLINTON JUNCTION - ELK CITY 138KV CKT 1	148.8	0.02232	117.8185	BINGER NUJECT - ONEY 138KV CKT 1

SEASON	GROUP	SCENARIO	DIRECTION	SOURCE	MONITORED ELEMENT	RATE		CONTINGENCY	
						(MVA)	TDF	LOADING %	CONTINGENCY
15SP	06ALL	3	TO->FROM	G15_032_115	CLINTON JUNCTION - ELK CITY 138KV CKT 1	148.8	0.03315	117.7446	SPSCont-05b
15WP	06ALL	3	TO->FROM	G15_032_115	CLINTON JUNCTION - ELK CITY 138KV CKT 1	148.8	0.03315	117.7446	SPSCont-05b
15SP	06ALL	3	TO->FROM	G15_032_115	CLINTON JUNCTION - ELK CITY 138KV CKT 1	148.8	0.03315	117.3414	SPSCont-04
15WP	06ALL	3	TO->FROM	G15_032_115	CLINTON JUNCTION - ELK CITY 138KV CKT 1	148.8	0.03315	117.3414	SPSCont-04
15SP	06ALL	3	TO->FROM	G15_032_115	CLINTON JUNCTION - ELK CITY 138KV CKT 1	148.8	0.03366	117.0927	DBL-THIS-WWRD
15WP	06ALL	3	TO->FROM	G15_032_115	CLINTON JUNCTION - ELK CITY 138KV CKT 1	148.8	0.03366	117.0927	DBL-THIS-WWRD
15SP	06ALL	3	TO->FROM	G15_032_115	CLINTON JUNCTION - ELK CITY 138KV CKT 1	132.4	0.02917	116.1979	BASE CASE
15WP	06ALL	3	TO->FROM	G15_032_115	CLINTON JUNCTION - ELK CITY 138KV CKT 1	132.4	0.02917	116.1979	BASE CASE
15SP	06ALL	3	TO->FROM	G15_032_115	CLINTON JUNCTION - ELK CITY 138KV CKT 1	148.8	0.03311	115.6492	CLINTON AIR FORCE BASE TAP - ELK CITY 138KV CKT 1
15WP	06ALL	3	TO->FROM	G15_032_115	CLINTON JUNCTION - ELK CITY 138KV CKT 1	148.8	0.03311	115.6492	CLINTON AIR FORCE BASE TAP - ELK CITY 138KV CKT 1
15SP	06ALL	3	TO->FROM	G15_032_115	CLINTON JUNCTION - ELK CITY 138KV CKT 1	148.8	0.03579	115.3952	CHISHOLM7 345.00 - WOODWARD DISTRICT EHV 345KV CKT 1
15WP	06ALL	3	TO->FROM	G15_032_115	CLINTON JUNCTION - ELK CITY 138KV CKT 1	148.8	0.03579	115.3952	CHISHOLM7 345.00 - WOODWARD DISTRICT EHV 345KV CKT 1
15SP	06ALL	3	TO->FROM	G15_032_115	CLINTON JUNCTION - ELK CITY 138KV CKT 1	148.8	0.03311	114.7755	CLINTON AIR FORCE BASE TAP - HOBART JUNCTION 138KV CKT 1
15WP	06ALL	3	TO->FROM	G15_032_115	CLINTON JUNCTION - ELK CITY 138KV CKT 1	148.8	0.03311	114.7755	CLINTON AIR FORCE BASE TAP - HOBART JUNCTION 138KV CKT 1
15SP	06ALL	3	TO->FROM	G15_032_115	CLINTON JUNCTION - ELK CITY 138KV CKT 1	148.8	0.02232	113.7191	BINGER NUJCT - SICKLES 138KV CKT 1
15WP	06ALL	3	TO->FROM	G15_032_115	CLINTON JUNCTION - ELK CITY 138KV CKT 1	148.8	0.02232	113.7191	BINGER NUJCT - SICKLES 138KV CKT 1
15SP	06ALL	3	TO->FROM	G15_032_115	CLINTON JUNCTION - ELK CITY 138KV CKT 1	148.8	0.03315	113.6451	G11_051T 345.00 - TATONGA7 345.00 345KV CKT 1
15WP	06ALL	3	TO->FROM	G15_032_115	CLINTON JUNCTION - ELK CITY 138KV CKT 1	148.8	0.03315	113.6451	G11_051T 345.00 - TATONGA7 345.00 345KV CKT 1
15SP	06ALL	3	TO->FROM	G15_032_115	CLINTON JUNCTION - ELK CITY 138KV CKT 1	148.8	0.02232	113.047	CLINTON JUNCTION - G07-32T 138.00 138KV CKT 1
15WP	06ALL	3	TO->FROM	G15_032_115	CLINTON JUNCTION - ELK CITY 138KV CKT 1	148.8	0.02232	113.047	CLINTON JUNCTION - G07-32T 138.00 138KV CKT 1
15SP	06ALL	3	TO->FROM	G15_032_115	CLINTON JUNCTION - ELK CITY 138KV CKT 1	148.8	0.02917	112.9341	G07-32 138.00 - G07-32T 138.00 138KV CKT 1
15SP	06ALL	3	TO->FROM	G15_032_115	CLINTON JUNCTION - ELK CITY 138KV CKT 1	148.8	0.02917	112.9341	G07-32 138.00 138/34.5KV TRANSFORMER CKT 1
15SP	06ALL	3	TO->FROM	G15_032_115	CLINTON JUNCTION - ELK CITY 138KV CKT 1	148.8	0.02917	112.9341	G07-32 34.500 34.5/12.0KV TRANSFORMER CKT 1
15WP	06ALL	3	TO->FROM	G15_032_115	CLINTON JUNCTION - ELK CITY 138KV CKT 1	148.8	0.02917	112.9341	G07-32 138.00 - G07-32T 138.00 138KV CKT 1
15WP	06ALL	3	TO->FROM	G15_032_115	CLINTON JUNCTION - ELK CITY 138KV CKT 1	148.8	0.02917	112.9341	G07-32 138.00 138/34.5KV TRANSFORMER CKT 1
15WP	06ALL	3	TO->FROM	G15_032_115	CLINTON JUNCTION - ELK CITY 138KV CKT 1	148.8	0.02917	112.9341	G07-32 34.500 34.5/12.0KV TRANSFORMER CKT 1
15SP	06ALL	3	TO->FROM	G15_032_115	CLINTON JUNCTION - ELK CITY 138KV CKT 1	148.8	0.02917	111.59	WASHITA - WEATHERFORD WIND FARM 34 KV 34.5KV CKT 1
15WP	06ALL	3	TO->FROM	G15_032_115	CLINTON JUNCTION - ELK CITY 138KV CKT 1	148.8	0.02917	111.59	WASHITA - WEATHERFORD WIND FARM 34 KV 34.5KV CKT 1
20SP	06ALL	3	TO->FROM	G15_032_115	CLINTON JUNCTION - ELK CITY 138KV CKT 1	151.1	0.04282	109.546	CHISHOLM7 345.00 - GRACEMONT 345KV CKT 1
20WP	06ALL	3	TO->FROM	G15_032_115	CLINTON JUNCTION - ELK CITY 138KV CKT 1	151.1	0.04282	109.546	CHISHOLM7 345.00 - GRACEMONT 345KV CKT 1
20SP	06ALL	3	TO->FROM	G15_032_115	CLINTON JUNCTION - ELK CITY 138KV CKT 1	151.1	0.02219	106.5136	ONEY - WASHITA 138KV CKT 1
20WP	06ALL	3	TO->FROM	G15_032_115	CLINTON JUNCTION - ELK CITY 138KV CKT 1	151.1	0.02219	106.5136	ONEY - WASHITA 138KV CKT 1
15G	06ALL	3	TO->FROM	G15_032_115	CLINTON JUNCTION - ELK CITY 138KV CKT 1	185.1	0.03486	105.7515	G14-074T 345.00 - OKLAUNION 345KV CKT 1
20SP	06ALL	3	TO->FROM	G15_032_115	CLINTON JUNCTION - ELK CITY 138KV CKT 1	151.1	0.02219	103.9325	BINGER NUJCT - ONEY 138KV CKT 1
20WP	06ALL	3	TO->FROM	G15_032_115	CLINTON JUNCTION - ELK CITY 138KV CKT 1	151.1	0.02219	103.9325	BINGER NUJCT - ONEY 138KV CKT 1
15G	06ALL	3	TO->FROM	G15_032_115	CLINTON JUNCTION - ELK CITY 138KV CKT 1	185.1	0.03486	102.6721	G14-074T 345.00 - TUCO INTERCHANGE 345KV CKT 1
15G	06ALL	3	TO->FROM	G15_032_115	CLINTON JUNCTION - ELK CITY 138KV CKT 1	185.1	0.03203	102.4549	NORTHWEST - TATONGA7 345.00 345KV CKT 1
15G	06ALL	3	TO->FROM	G15_032_115	CLINTON JUNCTION - ELK CITY 138KV CKT 1	185.1	0.03203	102.0767	SPSCont-05b
15G	06ALL	3	TO->FROM	G15_032_115	CLINTON JUNCTION - ELK CITY 138KV CKT 1	185.1	0.03203	101.7526	SPSCont-04
15G	06ALL	3	TO->FROM	G15_032_115	CLINTON JUNCTION - ELK CITY 138KV CKT 1	185.1	0.03183	101.5862	CLINTON AIR FORCE BASE TAP - ELK CITY 138KV CKT 1
15G	06ALL	3	TO->FROM	G15_032_115	CLINTON JUNCTION - ELK CITY 138KV CKT 1	185.1	0.03183	100.9919	CLINTON AIR FORCE BASE TAP - HOBART JUNCTION 138KV CKT 1
15G	06ALL	3	TO->FROM	G15_032_115	CLINTON JUNCTION - ELK CITY 138KV CKT 1	185.1	0.03459	100.2766	CHISHOLM7 345.00 - WOODWARD DISTRICT EHV 345KV CKT 1
15G	06ALL	3	TO->FROM	G15_032_115	CLINTON JUNCTION - ELK CITY 138KV CKT 1	185.1	0.03241	100.1059	DBL-THIS-WWRD
15SP	06ALL	3	FROM->TO	G15_032_115	CLINTON JUNCTION - FOSS TAP 69KV CKT 1	74.7	0.00797	104.3775	CLINTON JUNCTION - CLINTON NATURAL GAS TAP 138KV CKT 1
15WP	06ALL	3	FROM->TO	G15_032_115	CLINTON JUNCTION - FOSS TAP 69KV CKT 1	74.7	0.00797	104.3775	CLINTON JUNCTION - CLINTON NATURAL GAS TAP 138KV CKT 1
15SP	06ALL	3	TO->FROM	G15_032_115	COMANCHE TAP - TOSCO 69KV CKT 1	39	0.00555	103.8359	G14-057T 345.00 - SUNNYSIDE 345KV CKT 1
15WP	06ALL	3	TO->FROM	G15_032_115	COMANCHE TAP - TOSCO 69KV CKT 1	39	0.00555	103.8359	G14-057T 345.00 - SUNNYSIDE 345KV CKT 1
15SP	06ALL	3	TO->FROM	G15_032_115	COMANCHE TAP - TOSCO 69KV CKT 1	39	0.00555	101.0154	G14-057T 345.00 - LAWTON EASTSIDE 345KV CKT 1
15WP	06ALL	3	TO->FROM	G15_032_115	COMANCHE TAP - TOSCO 69KV CKT 1	39	0.00555	101.0154	G14-057T 345.00 - LAWTON EASTSIDE 345KV CKT 1
15SP	06ALL	3	FROM->TO	G15_032_115	DUNCAN - TOSCO 69KV CKT 1	38.9	0.00555	108.2159	G14-057T 345.00 - SUNNYSIDE 345KV CKT 1
15WP	06ALL	3	FROM->TO	G15_032_115	DUNCAN - TOSCO 69KV CKT 1	38.9	0.00555	108.2159	G14-057T 345.00 - SUNNYSIDE 345KV CKT 1
15SP	06ALL	3	FROM->TO	G15_032_115	DUNCAN - TOSCO 69KV CKT 1	38.9	0.00555	105.3882	G14-057T 345.00 - LAWTON EASTSIDE 345KV CKT 1
15WP	06ALL	3	FROM->TO	G15_032_115	DUNCAN - TOSCO 69KV CKT 1	38.9	0.00555	105.3882	G14-057T 345.00 - LAWTON EASTSIDE 345KV CKT 1
15SP	06ALL	3	TO->FROM	G15_032_115	EARLSBORO 4138.00 - MAUD 138KV CKT 1	97.7	0.00717	106.0655	MAUD (MAUD1) 138/69/13.2KV TRANSFORMER CKT 1
15WP	06ALL	3	TO->FROM	G15_032_115	EARLSBORO 4138.00 - MAUD 138KV CKT 1	97.7	0.00717	106.0655	MAUD (MAUD1) 138/69/13.2KV TRANSFORMER CKT 1
15SP	06ALL	3	TO->FROM	G15_032_115	EARLSBORO 4138.00 - MAUD 138KV CKT 1	97.7	0.00696	100.9273	CANADIAN RIVER - MCALESTER SOUTH 138KV CKT 1
15SP	06ALL	3	TO->FROM	G15_032_115	EARLSBORO 4138.00 - MAUD 138KV CKT 1	97.7	0.00688	100.9273	SPP-SWPS-T54
15WP	06ALL	3	TO->FROM	G15_032_115	EARLSBORO 4138.00 - MAUD 138KV CKT 1	97.7	0.00696	100.9273	CANADIAN RIVER - MCALESTER SOUTH 138KV CKT 1
15WP	06ALL	3	TO->FROM	G15_032_115	EARLSBORO 4138.00 - MAUD 138KV CKT 1	97.7	0.00688	100.9273	SPP-SWPS-T54
25SP	06ALL	3	FROM->TO	G15_032_115	EDDY_NORTH 6230.00 (WAUK WT01134) 230/115/13.2KV TRANSFORMER CKT 2	285	0.00816	104.5432	EDDY COUNTY INTERCHANGE - EDDY_NORTH 6230.00 230KV CKT @1
25SP	06ALL	3	FROM->TO	G15_032_115	EDDY_NORTH 6230.00 (WAUK WT01134) 230/115/13.2KV TRANSFORMER CKT 2	286.3	0.00816	103.9986	EDDY COUNTY INTERCHANGE - EDDY_NORTH 6230.00 230KV CKT @1
15G	06ALL	3	FROM->TO	G15_032_115	ELDORADO - ELDORADO ICT 69KV CKT 1	26.9	0.00916	101.9108	LAKE PAULINE - RUSSELL 138KV CKT 1
15G	06ALL	3	FROM->TO	G15_032_115	ELK CITY 230KV (ELKCTY-6) 230/138/13.8KV TRANSFORMER CKT 1	446.9	0.0967	117.1372	CHISHOLM7 345.00 - GRACEMONT 345KV CKT 1
15SP	06ALL	3	FROM->TO	G15_032_115	ELK CITY 230KV (ELKCTY-6) 230/138/13.8KV TRANSFORMER CKT 1	446.4	0.10246	117.1331	CHISHOLM7 345.00 - GRACEMONT 345KV CKT 1
15WP	06ALL	3	FROM->TO	G15_032_115	ELK CITY 230KV (ELKCTY-6) 230/138/13.8KV TRANSFORMER CKT 1	446.4	0.10246	117.1331	CHISHOLM7 345.00 - GRACEMONT 345KV CKT 1

SEASON	GROUP	SCENARIO	DIRECTION	SOURCE	MONITORED ELEMENT	RATE (MVA)	CONTINGENCY		
							TDF	LOADING %	CONTINGENCY
15G	06ALL	3	FROM->TO	G15_032_115	ELK CITY 230KV (ELKCTY-6) 230/138/13.8KV TRANSFORMER CKT 1	449.3	0.0967	116.6005	CHISHOLM7 345.00 - GRACEMONT 345KV CKT 1
15SP	06ALL	3	FROM->TO	G15_032_115	ELK CITY 230KV (ELKCTY-6) 230/138/13.8KV TRANSFORMER CKT 1	449.3	0.10246	116.4661	CHISHOLM7 345.00 - GRACEMONT 345KV CKT 1
15WP	06ALL	3	FROM->TO	G15_032_115	ELK CITY 230KV (ELKCTY-6) 230/138/13.8KV TRANSFORMER CKT 1	449.3	0.10246	116.4661	CHISHOLM7 345.00 - GRACEMONT 345KV CKT 1
15SP	06ALL	3	FROM->TO	G15_032_115	ELK CITY 230KV (ELKCTY-6) 230/138/13.8KV TRANSFORMER CKT 1	446.4	0.08652	103.6102	G14-074T 345.00 - OKLAUNION 345KV CKT 1
15WP	06ALL	3	FROM->TO	G15_032_115	ELK CITY 230KV (ELKCTY-6) 230/138/13.8KV TRANSFORMER CKT 1	446.4	0.08652	103.6102	G14-074T 345.00 - OKLAUNION 345KV CKT 1
15SP	06ALL	3	FROM->TO	G15_032_115	ELK CITY 230KV (ELKCTY-6) 230/138/13.8KV TRANSFORMER CKT 1	449.3	0.08652	103.0527	G14-074T 345.00 - OKLAUNION 345KV CKT 1
15WP	06ALL	3	FROM->TO	G15_032_115	ELK CITY 230KV (ELKCTY-6) 230/138/13.8KV TRANSFORMER CKT 1	449.3	0.08652	103.0527	G14-074T 345.00 - OKLAUNION 345KV CKT 1
15SP	06ALL	3	FROM->TO	G15_032_115	ELK CITY 230KV (ELKCTY-6) 230/138/13.8KV TRANSFORMER CKT 1	446.4	0.09295	101.828	CHISHOLM7 345.00 - WOODWARD DISTRICT EHV 345KV CKT 1
15WP	06ALL	3	FROM->TO	G15_032_115	ELK CITY 230KV (ELKCTY-6) 230/138/13.8KV TRANSFORMER CKT 1	446.4	0.09295	101.828	CHISHOLM7 345.00 - WOODWARD DISTRICT EHV 345KV CKT 1
15SP	06ALL	3	FROM->TO	G15_032_115	ELK CITY 230KV (ELKCTY-6) 230/138/13.8KV TRANSFORMER CKT 1	449.3	0.09295	101.282	CHISHOLM7 345.00 - WOODWARD DISTRICT EHV 345KV CKT 1
15WP	06ALL	3	FROM->TO	G15_032_115	ELK CITY 230KV (ELKCTY-6) 230/138/13.8KV TRANSFORMER CKT 1	449.3	0.09295	101.282	CHISHOLM7 345.00 - WOODWARD DISTRICT EHV 345KV CKT 1
15SP	06ALL	3	FROM->TO	G15_032_115	ELK CITY 230KV (ELKCTY-6) 230/138/13.8KV TRANSFORMER CKT 1	446.4	0.08652	100.1604	G14-074T 345.00 - TUCO INTERCHANGE 345KV CKT 1
15WP	06ALL	3	FROM->TO	G15_032_115	ELK CITY 230KV (ELKCTY-6) 230/138/13.8KV TRANSFORMER CKT 1	446.4	0.08652	100.1604	G14-074T 345.00 - TUCO INTERCHANGE 345KV CKT 1
15G	06ALL	3	FROM->TO	G15_032_115	FPL SWITCH - MOORELAND 138KV CKT 1	284.1	0.04629	119.1475	DBL-THIS-WWRD
15G	06ALL	3	FROM->TO	G15_032_115	FPL SWITCH - MOORELAND 138KV CKT 1	284.1	0.03802	111.7128	NORTHWEST - TATONGA7 345.00 345KV CKT 1
15G	06ALL	3	FROM->TO	G15_032_115	FPL SWITCH - MOORELAND 138KV CKT 1	284.1	0.03802	110.164	SPSCont-04
15G	06ALL	3	FROM->TO	G15_032_115	FPL SWITCH - MOORELAND 138KV CKT 1	284.1	0.03802	109.9176	SPSCont-05b
15G	06ALL	3	FROM->TO	G15_032_115	FPL SWITCH - MOORELAND 138KV CKT 1	284.1	0.03762	108.4111	CHISHOLM6 230.00 - ELK CITY 230KV 230KV CKT 1
15G	06ALL	3	FROM->TO	G15_032_115	FPL SWITCH - MOORELAND 138KV CKT 1	284.1	0.03762	108.4111	ELK CITY 230KV (ELKCTY-6) 230/138/13.8KV TRANSFORMER CKT 1
15G	06ALL	3	FROM->TO	G15_032_115	FPL SWITCH - MOORELAND 138KV CKT 1	284.1	0.03802	104.7082	G11_051T 345.00 - TATONGA7 345.00 345KV CKT 1
15G	06ALL	3	FROM->TO	G15_032_115	FPL SWITCH - MOORELAND 138KV CKT 1	284.1	0.03802	103.9338	G11_051T 345.00 - WOODWARD DISTRICT EHV 345KV CKT 1
15G	06ALL	3	FROM->TO	G15_032_115	FPL SWITCH - MOORELAND 138KV CKT 1	284.1	0.03802	102.2443	SPSCont-05ax
15G	06ALL	3	FROM->TO	G15_032_115	FPL SWITCH - MOORELAND 138KV CKT 1	284.1	0.02902	102.0563	WOODWARD (WOODWRD2) 138/69/13.2KV TRANSFORMER CKT 1
15G	06ALL	3	TO->FROM	G15_032_115	FPL SWITCH - WOODWARD 138KV CKT 1	285.2	0.04629	112.3415	DBL-THIS-WWRD
15G	06ALL	3	TO->FROM	G15_032_115	FPL SWITCH - WOODWARD 138KV CKT 1	285.2	0.03802	104.9355	NORTHWEST - TATONGA7 345.00 345KV CKT 1
15G	06ALL	3	TO->FROM	G15_032_115	FPL SWITCH - WOODWARD 138KV CKT 1	285.2	0.03802	103.3927	SPSCont-04
15G	06ALL	3	TO->FROM	G15_032_115	FPL SWITCH - WOODWARD 138KV CKT 1	285.2	0.03802	103.1473	SPSCont-05b
15G	06ALL	3	TO->FROM	G15_032_115	FPL SWITCH - WOODWARD 138KV CKT 1	285.2	0.03762	101.6466	CHISHOLM6 230.00 - ELK CITY 230KV 230KV CKT 1
15G	06ALL	3	TO->FROM	G15_032_115	FPL SWITCH - WOODWARD 138KV CKT 1	285.2	0.03762	101.6115	ELK CITY 230KV (ELKCTY-6) 230/138/13.8KV TRANSFORMER CKT 1
15SP	06ALL	3	TO->FROM	G15_032_115	GLASS MOUNTAIN - MOORELAND 138KV CKT 1	122.3	0.02084	109.2608	DBL-THIS-WWRD
15WP	06ALL	3	TO->FROM	G15_032_115	GLASS MOUNTAIN - MOORELAND 138KV CKT 1	122.3	0.02084	109.2608	DBL-THIS-WWRD
15SP	06ALL	3	TO->FROM	G15_032_115	GLASS MOUNTAIN - MOORELAND 138KV CKT 1	122.3	0.01607	100.5429	MOORELAND - NOEL_SW 138.00 138KV CKT 1
15WP	06ALL	3	TO->FROM	G15_032_115	GLASS MOUNTAIN - MOORELAND 138KV CKT 1	122.3	0.01607	100.5429	MOORELAND - NOEL_SW 138.00 138KV CKT 1
15G	06ALL	3	TO->FROM	G15_032_115	GRAPEVINE INTERCHANGE - NICHOLS STATION 230KV CKT 1	350	0.07668	100.18	DBL-G1114-WWRD
15G	06ALL	3	TO->FROM	G15_032_115	GRAPEVINE INTERCHANGE - NICHOLS STATION 230KV CKT 1	350	0.0804	100.1794	GRAPEVINE 345.00 - POTTER COUNTY INTERCHANGE 345KV CKT 1
15G	06ALL	3	FROM->TO	G15_032_115	Harrington Station East Bus - POTTER COUNTY INTERCHANGE 230KV CKT 1	347	0.1158	121.0213	CHERRY1 - HARRINGTON STATION 230KV CKT 1
15G	06ALL	3	FROM->TO	G15_032_115	Harrington Station East Bus - POTTER COUNTY INTERCHANGE 230KV CKT 1	347	0.13768	119.3493	CHERRY1 - POTTER COUNTY INTERCHANGE 230KV CKT 1
15G	06ALL	3	TO->FROM	G15_032_115	HAYS PLANT - SOUTH HAYS 115KV CKT 1	98.9	0.0061	115.5005	KNOLL 230 - POSTROCK6 230.00 230KV CKT 1
15SP	06ALL	3	FROM->TO	G15_032_115	HAYS PLANT - VINE STREET 115KV CKT 1	88	0.00586	116.9091	KNOLL 230 - POSTROCK6 230.00 230KV CKT 1
15WP	06ALL	3	FROM->TO	G15_032_115	HAYS PLANT - VINE STREET 115KV CKT 1	88	0.00586	116.9091	KNOLL 230 - POSTROCK6 230.00 230KV CKT 1
15G	06ALL	3	FROM->TO	G15_032_115	HAYS PLANT - VINE STREET 115KV CKT 1	87.9	0.0061	105.9499	KNOLL 230 - POSTROCK6 230.00 230KV CKT 1
15SP	06ALL	3	FROM->TO	G15_032_115	JERICHO (JERIC2WT) 115/69/14.4KV TRANSFORMER CKT 1	45.6	0.00732	107.4035	KIRBY SWITCHING STATION - MCCLELLAN SUB 115KV CKT 1
15WP	06ALL	3	FROM->TO	G15_032_115	JERICHO (JERIC2WT) 115/69/14.4KV TRANSFORMER CKT 1	45.6	0.00732	107.4035	KIRBY SWITCHING STATION - MCCLELLAN SUB 115KV CKT 1
15SP	06ALL	3	FROM->TO	G15_032_115	JERICHO (JERIC2WT) 115/69/14.4KV TRANSFORMER CKT 1	45.9	0.00732	106.7015	KIRBY SWITCHING STATION - MCCLELLAN SUB 115KV CKT 1
15WP	06ALL	3	FROM->TO	G15_032_115	JERICHO (JERIC2WT) 115/69/14.4KV TRANSFORMER CKT 1	45.9	0.00732	106.7015	KIRBY SWITCHING STATION - MCCLELLAN SUB 115KV CKT 1
15SP	06ALL	3	FROM->TO	G15_032_115	JERICHO (JERIC2WT) 115/69/14.4KV TRANSFORMER CKT 1	45.6	0.00732	105.8684	MCCLELLAN SUB - MCLEAN RURAL SUB 115KV CKT 1
15WP	06ALL	3	FROM->TO	G15_032_115	JERICHO (JERIC2WT) 115/69/14.4KV TRANSFORMER CKT 1	45.6	0.00732	105.8684	MCCLELLAN SUB - MCLEAN RURAL SUB 115KV CKT 1
15SP	06ALL	3	FROM->TO	G15_032_115	JERICHO (JERIC2WT) 115/69/14.4KV TRANSFORMER CKT 1	45.9	0.00732	105.1765	MCCLELLAN SUB - MCLEAN RURAL SUB 115KV CKT 1
15WP	06ALL	3	FROM->TO	G15_032_115	JERICHO (JERIC2WT) 115/69/14.4KV TRANSFORMER CKT 1	45.9	0.00732	105.1765	MCCLELLAN SUB - MCLEAN RURAL SUB 115KV CKT 1
15G	06ALL	3	FROM->TO	G15_032_115	JERICHO (JERIC2WT) 115/69/14.4KV TRANSFORMER CKT 1	45.7	0.00742	102.4595	KIRBY SWITCHING STATION - MCCLELLAN SUB 115KV CKT 1
15SP	06ALL	3	FROM->TO	G15_032_115	JERICHO (JERIC2WT) 115/69/14.4KV TRANSFORMER CKT 1	45.6	0.00732	102.3596	SPP-SWPS-T54
15WP	06ALL	3	FROM->TO	G15_032_115	JERICHO (JERIC2WT) 115/69/14.4KV TRANSFORMER CKT 1	45.6	0.00732	102.3596	SPP-SWPS-T54
15G	06ALL	3	FROM->TO	G15_032_115	JERICHO (JERIC2WT) 115/69/14.4KV TRANSFORMER CKT 1	45.9	0.00742	102.0131	KIRBY SWITCHING STATION - MCCLELLAN SUB 115KV CKT 1
15SP	06ALL	3	FROM->TO	G15_032_115	JERICHO (JERIC2WT) 115/69/14.4KV TRANSFORMER CKT 1	45.9	0.00732	101.6906	SPP-SWPS-T54
15WP	06ALL	3	FROM->TO	G15_032_115	JERICHO (JERIC2WT) 115/69/14.4KV TRANSFORMER CKT 1	45.9	0.00732	101.6906	SPP-SWPS-T54
15G	06ALL	3	FROM->TO	G15_032_115	JERICHO (JERIC2WT) 115/69/14.4KV TRANSFORMER CKT 1	45.7	0.00742	101.1466	MCCLELLAN SUB - MCLEAN RURAL SUB 115KV CKT 1
15SP	06ALL	3	FROM->TO	G15_032_115	JERICHO (JERIC2WT) 115/69/14.4KV TRANSFORMER CKT 1	45.6	0.00732	100.8246	MCLEAN RURAL SUB - SHAMROCK 115KV CKT 1
15SP	06ALL	3	FROM->TO	G15_032_115	JERICHO (JERIC2WT) 115/69/14.4KV TRANSFORMER CKT 1	45.6	0.00732	100.8246	SHAMROCK (SHAMRCK1) 115/69/14.4KV TRANSFORMER CKT 1
15WP	06ALL	3	FROM->TO	G15_032_115	JERICHO (JERIC2WT) 115/69/14.4KV TRANSFORMER CKT 1	45.6	0.00732	100.8246	MCLEAN RURAL SUB - SHAMROCK 115KV CKT 1
15WP	06ALL	3	FROM->TO	G15_032_115	JERICHO (JERIC2WT) 115/69/14.4KV TRANSFORMER CKT 1	45.6	0.00732	100.8246	SHAMROCK (SHAMRCK1) 115/69/14.4KV TRANSFORMER CKT 1
15G	06ALL	3	FROM->TO	G15_032_115	JERICHO (JERIC2WT) 115/69/14.4KV TRANSFORMER CKT 1	45.9	0.00742	100.7059	MCCLELLAN SUB - MCLEAN RURAL SUB 115KV CKT 1
15SP	06ALL	3	FROM->TO	G15_032_115	JERICHO (JERIC2WT) 115/69/14.4KV TRANSFORMER CKT 1	45.9	0.00732	100.1656	MCLEAN RURAL SUB - SHAMROCK 115KV CKT 1
15SP	06ALL	3	FROM->TO	G15_032_115	JERICHO (JERIC2WT) 115/69/14.4KV TRANSFORMER CKT 1	45.9	0.00732	100.1656	SHAMROCK (SHAMRCK1) 115/69/14.4KV TRANSFORMER CKT 1
15WP	06ALL	3	FROM->TO	G15_032_115	JERICHO (JERIC2WT) 115/69/14.4KV TRANSFORMER CKT 1	45.9	0.00732	100.1656	MCLEAN RURAL SUB - SHAMROCK 115KV CKT 1
15WP	06ALL	3	FROM->TO	G15_032_115	JERICHO (JERIC2WT) 115/69/14.4KV TRANSFORMER CKT 1	45.9	0.00732	100.1656	SHAMROCK (SHAMRCK1) 115/69/14.4KV TRANSFORMER CKT 1

SEASON	GROUP	SCENARIO	DIRECTION	SOURCE	MONITORED ELEMENT	RATE (MVA)	TDF	CONTINGENCY LOADING %	CONTINGENCY
25SP	00NR		3 TO->FROM	G15_032_115	LUBBOCK POWER & LIGHT-CO-OP - LUBBOCK POWER & LIGHT-SLATON 69KV CKT 1	53.5	0.00707	154.4318	LUBBOCK POWER & LIGHT-CO-OP - LUBBOCK POWER & LIGHT-WADSWORTH 69KV CKT 1
20SP	00NR		3 TO->FROM	G15_032_115	LUBBOCK POWER & LIGHT-CO-OP - LUBBOCK POWER & LIGHT-SLATON 69KV CKT 1	53.6	0.00984	138.3433	LUBBOCK POWER & LIGHT-CO-OP - LUBBOCK POWER & LIGHT-WADSWORTH 69KV CKT 1
15SP	00NR		3 TO->FROM	G15_032_115	LUBBOCK POWER & LIGHT-CO-OP - LUBBOCK POWER & LIGHT-SLATON 69KV CKT 1	53.9	0.0096	115.3618	LUBBOCK POWER & LIGHT-CO-OP - LUBBOCK POWER & LIGHT-WADSWORTH 69KV CKT 1
20WP	00NR		3 TO->FROM	G15_032_115	LUBBOCK POWER & LIGHT-CO-OP - LUBBOCK POWER & LIGHT-SLATON 69KV CKT 1	53.9	0.01603	105.397	LUBBOCK POWER & LIGHT-CO-OP - LUBBOCK POWER & LIGHT-WADSWORTH 69KV CKT 1
25SP	00NR		3 TO->FROM	G15_032_115	LUBBOCK POWER & LIGHT-CO-OP - LUBBOCK POWER & LIGHT-WADSWORTH 69KV CKT 1	105.6	0.00715	126.9366	BASE CASE
25SP	00NR		3 TO->FROM	G15_032_115	LUBBOCK POWER & LIGHT-CO-OP - LUBBOCK POWER & LIGHT-WADSWORTH 69KV CKT 1	141.2	0.00866	125.4943	LUBBOCK POWER & LIGHT-SLATON - LUBBOCK POWER & LIGHT-SOUTHEAST 69KV CKT 1
25SP	00NR		3 TO->FROM	G15_032_115	LUBBOCK POWER & LIGHT-CO-OP - LUBBOCK POWER & LIGHT-WADSWORTH 69KV CKT 1	141.2	0.00945	116.0305	LUBBOCK POWER & LIGHT-SOUTHEAST - LUBBOCK SOUTH INTERCHANGE 230KV CKT 1
25SP	00NR		3 TO->FROM	G15_032_115	LUBBOCK POWER & LIGHT-CO-OP - LUBBOCK POWER & LIGHT-WADSWORTH 69KV CKT 1	141.2	0.00895	114.2953	LUBBOCK POWER & LIGHT-HOLLY GEN - LUBBOCK POWER & LIGHT-NORTHEAST 69KV CKT 1
20SP	00NR		3 TO->FROM	G15_032_115	LUBBOCK POWER & LIGHT-CO-OP - LUBBOCK POWER & LIGHT-WADSWORTH 69KV CKT 1	108	0.00981	113.6509	BASE CASE
20SP	00NR		3 TO->FROM	G15_032_115	LUBBOCK POWER & LIGHT-CO-OP - LUBBOCK POWER & LIGHT-WADSWORTH 69KV CKT 1	143	0.01183	113.3909	LUBBOCK POWER & LIGHT-SLATON - LUBBOCK POWER & LIGHT-SOUTHEAST 69KV CKT 1
25SP	00NR		3 TO->FROM	G15_032_115	LUBBOCK POWER & LIGHT-CO-OP - LUBBOCK POWER & LIGHT-WADSWORTH 69KV CKT 1	141.2	0.00912	111.0737	CARLISLE INTERCHANGE - LUBBOCK POWER & LIGHT-MILWAUKEE 230KV CKT 1
25SP	00NR		3 TO->FROM	G15_032_115	LUBBOCK POWER & LIGHT-CO-OP - LUBBOCK POWER & LIGHT-WADSWORTH 69KV CKT 1	141.2	0.00912	111.0028	LUBBOCK POWER & LIGHT-MILWAUKEE (M-E C0681251) 230/69/13.5KV TRANSFORMER CKT 1
25SP	00NR		3 TO->FROM	G15_032_115	LUBBOCK POWER & LIGHT-CO-OP - LUBBOCK POWER & LIGHT-WADSWORTH 69KV CKT 1	141.2	0.00912	111.0028	SPP-SWPS-K39
15SP	00NR		3 TO->FROM	G15_032_115	LUBBOCK POWER & LIGHT-CO-OP - LUBBOCK POWER & LIGHT-WADSWORTH 69KV CKT 1	108	0.01066	109.7204	BASE CASE
25SP	00NR		3 TO->FROM	G15_032_115	LUBBOCK POWER & LIGHT-CO-OP - LUBBOCK POWER & LIGHT-WADSWORTH 69KV CKT 1	141.2	0.00741	108.7982	LUBBOCK POWER & LIGHT-OLIVER - LUBBOCK POWER & LIGHT-SOUTHEAST 69KV CKT 1
15SP	00NR		3 TO->FROM	G15_032_115	LUBBOCK POWER & LIGHT-CO-OP - LUBBOCK POWER & LIGHT-WADSWORTH 69KV CKT 1	143	0.01222	104.5916	LUBBOCK POWER & LIGHT-SLATON - LUBBOCK POWER & LIGHT-SOUTHEAST 69KV CKT 1
25SP	00NR		3 TO->FROM	G15_032_115	LUBBOCK POWER & LIGHT-CO-OP - LUBBOCK POWER & LIGHT-WADSWORTH 69KV CKT 1	141.2	0.00895	103.4596	LUBBOCK POWER & LIGHT-MACKENZIE GEN - LUBBOCK POWER & LIGHT-NORTHEAST 69KV CKT 1
20SP	00NR		3 TO->FROM	G15_032_115	LUBBOCK POWER & LIGHT-CO-OP - LUBBOCK POWER & LIGHT-WADSWORTH 69KV CKT 1	143	0.01214	103.386	LUBBOCK POWER & LIGHT-HOLLY GEN - LUBBOCK POWER & LIGHT-NORTHEAST 69KV CKT 1
20SP	00NR		3 TO->FROM	G15_032_115	LUBBOCK POWER & LIGHT-CO-OP - LUBBOCK POWER & LIGHT-WADSWORTH 69KV CKT 1	143	0.01352	103.3259	LUBBOCK POWER & LIGHT-SOUTHEAST - LUBBOCK SOUTH INTERCHANGE 230KV CKT 1
25SP	00NR		3 TO->FROM	G15_032_115	LUBBOCK POWER & LIGHT-CO-OP - LUBBOCK POWER & LIGHT-WADSWORTH 69KV CKT 1	141.2	0.00801	102.835	LUBBOCK POWER & LIGHT-SOUTHEAST (ABB 60258) 230/69/13.5KV TRANSFORMER CKT 1
25SP	00NR		3 TO->FROM	G15_032_115	LUBBOCK POWER & LIGHT-CO-OP - LUBBOCK POWER & LIGHT-WADSWORTH 69KV CKT 1	141.2	0.00796	102.3286	LUBBOCK POWER & LIGHT-SOUTHEAST (FRM WADSWRTH) 230/69/13.5KV TRANSFORMER CKT 2
25SP	00NR		3 TO->FROM	G15_032_115	LUBBOCK POWER & LIGHT-CO-OP - LUBBOCK POWER & LIGHT-WADSWORTH 69KV CKT 1	141.2	0.00749	101.5914	LUBBOCK POWER & LIGHT-CHALKER - LUBBOCK POWER & LIGHT-THOMPSON 69KV CKT 1
25SP	00NR		3 TO->FROM	G15_032_115	LUBBOCK POWER & LIGHT-CO-OP - LUBBOCK POWER & LIGHT-WADSWORTH 69KV CKT 1	141.2	0.00657	100.9001	LUBBOCK POWER & LIGHT-HOLLY GEN - LUBBOCK POWER & LIGHT-SOUTHEAST 69KV CKT 1
25SP	00NR		3 TO->FROM	G15_032_115	LUBBOCK POWER & LIGHT-CO-OP - LUBBOCK POWER & LIGHT-WADSWORTH 69KV CKT 1	141.2	0.00741	100.512	LUBBOCK POWER & LIGHT-CHALKER - LUBBOCK POWER & LIGHT-OLIVER 69KV CKT 1
25SP	00NR		3 TO->FROM	G15_032_115	LUBBOCK POWER & LIGHT-SLATON - LUBBOCK POWER & LIGHT-SOUTHEAST 69KV CKT 1	143	0.00732	121.186	LUBBOCK POWER & LIGHT-CO-OP - LUBBOCK POWER & LIGHT-WADSWORTH 69KV CKT 1
20SP	00NR		3 TO->FROM	G15_032_115	LUBBOCK POWER & LIGHT-SLATON - LUBBOCK POWER & LIGHT-SOUTHEAST 69KV CKT 1	142.8	0.0099	110.8333	LUBBOCK POWER & LIGHT-CO-OP - LUBBOCK POWER & LIGHT-WADSWORTH 69KV CKT 1
20SP	00NR		3 TO->FROM	G15_032_115	LUBBOCK POWER & LIGHT-SLATON - LUBBOCK POWER & LIGHT-SOUTHEAST 69KV CKT 1	142.8	0.00594	109.021	LUBBOCK POWER & LIGHT-OLIVER - LUBBOCK POWER & LIGHT-SOUTHEAST 69KV CKT 1
20SP	06ALL		3 TO->FROM	G15_032_115	NORGE ROAD - SOUTHWESTERN STATION 138KV CKT 1	135.7	0.01107	110.7472	SOUTHWESTERN STATION - VERDEN 138KV CKT 1
20WP	06ALL		3 TO->FROM	G15_032_115	NORGE ROAD - SOUTHWESTERN STATION 138KV CKT 1	135.7	0.01107	110.7472	SOUTHWESTERN STATION - VERDEN 138KV CKT 1
20SP	06ALL		3 TO->FROM	G15_032_115	NORGE ROAD - SOUTHWESTERN STATION 138KV CKT 1	135.7	0.01107	109.2734	NORTH 29TH CHICKASHA - VERDEN 138KV CKT 1
20WP	06ALL		3 TO->FROM	G15_032_115	NORGE ROAD - SOUTHWESTERN STATION 138KV CKT 1	135.7	0.01107	109.2734	NORTH 29TH CHICKASHA - VERDEN 138KV CKT 1
20SP	06ALL		3 TO->FROM	G15_032_115	NORGE ROAD - SOUTHWESTERN STATION 138KV CKT 1	135.7	0.01575	106.3714	CIMARRON - MINCO 345KV CKT 1
20WP	06ALL		3 TO->FROM	G15_032_115	NORGE ROAD - SOUTHWESTERN STATION 138KV CKT 1	135.7	0.01575	106.3714	CIMARRON - MINCO 345KV CKT 1
20SP	06ALL		3 TO->FROM	G15_032_115	NORGE ROAD - SOUTHWESTERN STATION 138KV CKT 1	135.7	0.01107	106.1783	CORNVILLE - NORTH 29TH CHICKASHA 138KV CKT 1
20WP	06ALL		3 TO->FROM	G15_032_115	NORGE ROAD - SOUTHWESTERN STATION 138KV CKT 1	135.7	0.01107	106.1783	CORNVILLE - NORTH 29TH CHICKASHA 138KV CKT 1
20SP	06ALL		3 TO->FROM	G15_032_115	NORGE ROAD - SOUTHWESTERN STATION 138KV CKT 1	135.7	0.01026	104.1253	ANADARKO - CORN TAP 138KV CKT 1
20WP	06ALL		3 TO->FROM	G15_032_115	NORGE ROAD - SOUTHWESTERN STATION 138KV CKT 1	135.7	0.01026	104.1253	ANADARKO - CORN TAP 138KV CKT 1
20SP	06ALL		3 TO->FROM	G15_032_115	NORGE ROAD - SOUTHWESTERN STATION 138KV CKT 1	135.7	0.01575	102.8342	GRACEMONT - MINCO 345KV CKT 1
20WP	06ALL		3 TO->FROM	G15_032_115	NORGE ROAD - SOUTHWESTERN STATION 138KV CKT 1	135.7	0.01575	102.8342	GRACEMONT - MINCO 345KV CKT 1
25SP	06ALL		3 TO->FROM	G15_032_115	NORGE ROAD - SOUTHWESTERN STATION 138KV CKT 1	135.8	0.01062	100.0884	SOUTHWESTERN STATION - VERDEN 138KV CKT 1
15SP	06ALL		3 FROM->TO	G15_032_115	PRINGLE INTERCHANGE - SPEARMAN INTERCHANGE 115KV CKT 1	159.7	0.04108	104.9242	PRINGLE INTERCHANGE - SPEARMAN INTERCHANGE 115KV CKT 2
15WP	06ALL		3 FROM->TO	G15_032_115	PRINGLE INTERCHANGE - SPEARMAN INTERCHANGE 115KV CKT 1	159.7	0.04108	104.9242	PRINGLE INTERCHANGE - SPEARMAN INTERCHANGE 115KV CKT 2
15G	06ALL		3 FROM->TO	G15_032_115	PRINGLE INTERCHANGE - SPEARMAN INTERCHANGE 115KV CKT 1	158.4	0.0398	103.7071	PRINGLE INTERCHANGE - SPEARMAN INTERCHANGE 115KV CKT 2
15G	06ALL		3 FROM->TO	G15_032_115	SHAMROCK (SHAMRCK1) 115/69/14.4KV TRANSFORMER CKT 1	66	0.01504	106.2333	CHISHOLM6 230.00 - SWEETWATER 230KV CKT 1
15G	06ALL		3 FROM->TO	G15_032_115	SHAMROCK (SHAMRCK1) 115/69/14.4KV TRANSFORMER CKT 1	66	0.01352	105.7455	HWRDWCK2 69.000 - JERICO 69KV CKT 1
15G	06ALL		3 FROM->TO	G15_032_115	SHAMROCK (SHAMRCK1) 115/69/14.4KV TRANSFORMER CKT 1	66	0.01352	105.7455	JERICO - KIRBY SWITCHING STATION 115KV CKT 1
15G	06ALL		3 FROM->TO	G15_032_115	SHAMROCK (SHAMRCK1) 115/69/14.4KV TRANSFORMER CKT 1	66	0.01352	105.7455	JERICO (JERIC2WT) 115/69/14.4KV TRANSFORMER CKT 1

SEASON	GROUP	SCENARIO	DIRECTION	SOURCE	MONITORED ELEMENT	RATE (MVA)	CONTINGENCY		
							TDF	LOADING %	CONTINGENCY
15G	06ALL		3	FROM->TO	G15_032_115 SHAMROCK (SHAMRCK1) 115/69/14.4KV TRANSFORMER CKT 1	66	0.01352	104.9879	CLARENDON - HWRDWCK2 69.000 69KV CKT 1
15G	06ALL		3	FROM->TO	G15_032_115 SHAMROCK (SHAMRCK1) 115/69/14.4KV TRANSFORMER CKT 1	66	0.01416	104.7091	G14-074T 345.00 - OKLAUNION 345KV CKT 1
15G	06ALL		3	FROM->TO	G15_032_115 SHAMROCK (SHAMRCK1) 115/69/14.4KV TRANSFORMER CKT 1	67.1	0.01504	104.6408	CHISHOLM6 230.00 - SWEETWATER 230KV CKT 1
15G	06ALL		3	FROM->TO	G15_032_115 SHAMROCK (SHAMRCK1) 115/69/14.4KV TRANSFORMER CKT 1	67.1	0.01352	104.1609	HWRDWCK2 69.000 - JERICHO 69KV CKT 1
15G	06ALL		3	FROM->TO	G15_032_115 SHAMROCK (SHAMRCK1) 115/69/14.4KV TRANSFORMER CKT 1	67.1	0.01352	104.1609	JERICHO - KIRBY SWITCHING STATION 115KV CKT 1
15G	06ALL		3	FROM->TO	G15_032_115 SHAMROCK (SHAMRCK1) 115/69/14.4KV TRANSFORMER CKT 1	67.1	0.01352	104.1609	JERICHO (JERIC2WT) 115/69/14.4KV TRANSFORMER CKT 1
15G	06ALL		3	FROM->TO	G15_032_115 SHAMROCK (SHAMRCK1) 115/69/14.4KV TRANSFORMER CKT 1	66	0.01504	103.9606	GRAPEVINE INTERCHANGE - STATELINE INTERCHANGE 230KV CKT 1
15G	06ALL		3	FROM->TO	G15_032_115 SHAMROCK (SHAMRCK1) 115/69/14.4KV TRANSFORMER CKT 1	67.1	0.01352	103.4158	CLARENDON - HWRDWCK2 69.000 69KV CKT 1
15G	06ALL		3	FROM->TO	G15_032_115 SHAMROCK (SHAMRCK1) 115/69/14.4KV TRANSFORMER CKT 1	66	0.0135	103.3848	CHISHOLM6 230.00 - ELK CITY 230KV 230KV CKT 1
15G	06ALL		3	FROM->TO	G15_032_115 SHAMROCK (SHAMRCK1) 115/69/14.4KV TRANSFORMER CKT 1	66	0.0135	103.3848	ELK CITY 230KV (ELKCTY-6) 230/138/13.8KV TRANSFORMER CKT 1
15G	06ALL		3	FROM->TO	G15_032_115 SHAMROCK (SHAMRCK1) 115/69/14.4KV TRANSFORMER CKT 1	66	0.01387	103.2758	CHISHOLM7 345.00 - GRACEMONT 345KV CKT 1
15G	06ALL		3	FROM->TO	G15_032_115 SHAMROCK (SHAMRCK1) 115/69/14.4KV TRANSFORMER CKT 1	67.1	0.01416	103.1416	G14-074T 345.00 - OKLAUNION 345KV CKT 1
15G	06ALL		3	FROM->TO	G15_032_115 SHAMROCK (SHAMRCK1) 115/69/14.4KV TRANSFORMER CKT 1	67.1	0.01504	102.5544	GRAPEVINE INTERCHANGE - STATELINE INTERCHANGE 230KV CKT 1
15G	06ALL		3	FROM->TO	G15_032_115 SHAMROCK (SHAMRCK1) 115/69/14.4KV TRANSFORMER CKT 1	66	0.01352	101.9576	CLARENDON - CLARENDON REC 69KV CKT 1
15G	06ALL		3	FROM->TO	G15_032_115 SHAMROCK (SHAMRCK1) 115/69/14.4KV TRANSFORMER CKT 1	67.1	0.0135	101.8391	CHISHOLM6 230.00 - ELK CITY 230KV 230KV CKT 1
15G	06ALL		3	FROM->TO	G15_032_115 SHAMROCK (SHAMRCK1) 115/69/14.4KV TRANSFORMER CKT 1	67.1	0.0135	101.8391	ELK CITY 230KV (ELKCTY-6) 230/138/13.8KV TRANSFORMER CKT 1
15G	06ALL		3	FROM->TO	G15_032_115 SHAMROCK (SHAMRCK1) 115/69/14.4KV TRANSFORMER CKT 1	67.1	0.01387	101.7318	CHISHOLM7 345.00 - GRACEMONT 345KV CKT 1
15G	06ALL		3	FROM->TO	G15_032_115 SHAMROCK (SHAMRCK1) 115/69/14.4KV TRANSFORMER CKT 1	66	0.01416	101.2242	G14-074T 345.00 - TUCO INTERCHANGE 345KV CKT 1
15G	06ALL		3	FROM->TO	G15_032_115 SHAMROCK (SHAMRCK1) 115/69/14.4KV TRANSFORMER CKT 1	66	0.01352	100.7455	CLARENDON REC - HEDLEY 69KV CKT 1
15G	06ALL		3	FROM->TO	G15_032_115 SHAMROCK (SHAMRCK1) 115/69/14.4KV TRANSFORMER CKT 1	66	0.01336	100.4758	DBL-G1114-WWRRD
15G	06ALL		3	FROM->TO	G15_032_115 SHAMROCK (SHAMRCK1) 115/69/14.4KV TRANSFORMER CKT 1	67.1	0.01352	100.4352	CLARENDON - CLARENDON REC 69KV CKT 1
15G	06ALL		3	FROM->TO	G15_032_115 SHAMROCK (SHAMRCK1) 115/69/14.4KV TRANSFORMER CKT 1	66	0.01504	100.3242	SPP-SWPS-02
15G	06ALL		3	FROM->TO	G15_032_115 SHAMROCK (SHAMRCK1) 115/69/14.4KV TRANSFORMER CKT 1	66	0.01504	100.3242	STATELINE INTERCHANGE - STLN-DEMARC6 230KV CKT 1
15G	06ALL		3	FROM->TO	G15_032_115 SHAMROCK (SHAMRCK1) 115/69/14.4KV TRANSFORMER CKT 1	66	0.01504	100.3242	STLN-DEMARC6 - SWEETWATER 230KV CKT 1
15SP	06ALL		3	FROM->TO	G15_032_115 SHAMROCK (SHAMRCK1) 115/69/14.4KV TRANSFORMER CKT 1	67.2	0.01337	100.1964	HWRDWCK2 69.000 - JERICHO 69KV CKT 1
15SP	06ALL		3	FROM->TO	G15_032_115 SHAMROCK (SHAMRCK1) 115/69/14.4KV TRANSFORMER CKT 1	67.2	0.01337	100.1964	JERICHO - KIRBY SWITCHING STATION 115KV CKT 1
15SP	06ALL		3	FROM->TO	G15_032_115 SHAMROCK (SHAMRCK1) 115/69/14.4KV TRANSFORMER CKT 1	67.2	0.01337	100.1964	JERICHO (JERIC2WT) 115/69/14.4KV TRANSFORMER CKT 1
15WP	06ALL		3	FROM->TO	G15_032_115 SHAMROCK (SHAMRCK1) 115/69/14.4KV TRANSFORMER CKT 1	67.2	0.01337	100.1964	HWRDWCK2 69.000 - JERICHO 69KV CKT 1
15WP	06ALL		3	FROM->TO	G15_032_115 SHAMROCK (SHAMRCK1) 115/69/14.4KV TRANSFORMER CKT 1	67.2	0.01337	100.1964	JERICHO - KIRBY SWITCHING STATION 115KV CKT 1
15WP	06ALL		3	FROM->TO	G15_032_115 SHAMROCK (SHAMRCK1) 115/69/14.4KV TRANSFORMER CKT 1	67.2	0.01337	100.1964	JERICHO (JERIC2WT) 115/69/14.4KV TRANSFORMER CKT 1
20SP	06ALL		3	TO->FROM	G15_032_115 SUNSHINE CANYON - TUTTLE 138KV CKT 1	141.6	0.02156	104.6511	CIMARRON - MINCO 345KV CKT 1
20WP	06ALL		3	TO->FROM	G15_032_115 SUNSHINE CANYON - TUTTLE 138KV CKT 1	141.6	0.02156	104.6511	CIMARRON - MINCO 345KV CKT 1
15SP	06ALL		3	TO->FROM	G15_032_115 SUNSHINE CANYON - TUTTLE 138KV CKT 1	141.6	0.0229	104.0226	CIMARRON - MINCO 345KV CKT 1
15WP	06ALL		3	TO->FROM	G15_032_115 SUNSHINE CANYON - TUTTLE 138KV CKT 1	141.6	0.0229	104.0226	CIMARRON - MINCO 345KV CKT 1
20SP	06ALL		3	TO->FROM	G15_032_115 SUNSHINE CANYON - TUTTLE 138KV CKT 1	141.6	0.02156	99.9901	GRACEMONT - MINCO 345KV CKT 1
20WP	06ALL		3	TO->FROM	G15_032_115 SUNSHINE CANYON - TUTTLE 138KV CKT 1	141.6	0.02156	99.9901	GRACEMONT - MINCO 345KV CKT 1
15SP	06ALL		3	FROM->TO	G15_032_115 THOMAS TAP - WEATHERFORD 69KV CKT 1	39	0.00797	114.2821	CLINTON JUNCTION - CLINTON NATURAL GAS TAP 138KV CKT 1
15WP	06ALL		3	FROM->TO	G15_032_115 THOMAS TAP - WEATHERFORD 69KV CKT 1	39	0.00797	114.2821	CLINTON JUNCTION - CLINTON NATURAL GAS TAP 138KV CKT 1
15G	06ALL		3	FROM->TO	G15_032_115 TUCO INTERCHANGE (GE M1022338) 345/230/13.2KV TRANSFORMER CKT 1	555.2	0.152	101.4975	TUCO INTERCHANGE (SIEM 8743066) 345/230/13.2KV TRANSFORMER CKT 2
15G	06ALL		3	FROM->TO	G15_032_115 TUCO INTERCHANGE (GE M1022338) 345/230/13.2KV TRANSFORMER CKT 1	557.4	0.152	101.043	TUCO INTERCHANGE (SIEM 8743066) 345/230/13.2KV TRANSFORMER CKT 2
15G	06ALL		3	FROM->TO	G15_032_115 WICHITA (WICH TX-11) 345/138/13.8KV TRANSFORMER CKT 1	413.2	0.01248	106.6878	WICHITA (WICH TX-11) 345/138/13.8KV TRANSFORMER CKT 1
15G	06ALL		3	FROM->TO	G15_032_115 WICHITA (WICH TX-12) 345/138/13.8KV TRANSFORMER CKT 1	419.7	0.01248	104.8925	WICHITA (WICH TX-11) 345/138/13.8KV TRANSFORMER CKT 1
25SP	00NR		3	FROM->TO	G15_032_115 WOLFFORTH INTERCHANGE (WH 7001668) 230/115/13.2KV TRANSFORMER CKT 1	140.3	0.01934	100.6429	CARLISLE INTERCHANGE - LP-DOUD_TP 3115.00 115KV CKT 1
15G	06ALL		3	FROM->TO	G15_032_115 WOODWARD (WOODWRD2) 138/69/13.2KV TRANSFORMER CKT 1	133.3	0.01076	100.0405	FPL SWITCH - MOORELAND 138KV CKT 1
25SP	00NR		4	TO->FROM	G15_032_115 LUBBOCK POWER & LIGHT-CO-OP - LUBBOCK POWER & LIGHT-SLATON 69KV CKT 1	53.5	0.00707	154.4318	LUBBOCK POWER & LIGHT-CO-OP - LUBBOCK POWER & LIGHT-WADSWORTH 69KV CKT 1
20SP	00NR		4	TO->FROM	G15_032_115 LUBBOCK POWER & LIGHT-CO-OP - LUBBOCK POWER & LIGHT-SLATON 69KV CKT 1	53.6	0.00984	138.3433	LUBBOCK POWER & LIGHT-CO-OP - LUBBOCK POWER & LIGHT-WADSWORTH 69KV CKT 1
15SP	00NR		4	TO->FROM	G15_032_115 LUBBOCK POWER & LIGHT-CO-OP - LUBBOCK POWER & LIGHT-SLATON 69KV CKT 1	53.9	0.0096	115.3618	LUBBOCK POWER & LIGHT-CO-OP - LUBBOCK POWER & LIGHT-WADSWORTH 69KV CKT 1
20WP	00NR		4	TO->FROM	G15_032_115 LUBBOCK POWER & LIGHT-CO-OP - LUBBOCK POWER & LIGHT-SLATON 69KV CKT 1	53.9	0.01603	105.397	LUBBOCK POWER & LIGHT-CO-OP - LUBBOCK POWER & LIGHT-WADSWORTH 69KV CKT 1
25SP	00NR		4	TO->FROM	G15_032_115 LUBBOCK POWER & LIGHT-CO-OP - LUBBOCK POWER & LIGHT-WADSWORTH 69KV CKT 1	105.6	0.00715	126.9366	BASE CASE
25SP	00NR		4	TO->FROM	G15_032_115 LUBBOCK POWER & LIGHT-CO-OP - LUBBOCK POWER & LIGHT-WADSWORTH 69KV CKT 1	141.2	0.00866	125.4943	LUBBOCK POWER & LIGHT-SLATON - LUBBOCK POWER & LIGHT-SOUTHEAST 69KV CKT 1
25SP	00NR		4	TO->FROM	G15_032_115 LUBBOCK POWER & LIGHT-CO-OP - LUBBOCK POWER & LIGHT-WADSWORTH 69KV CKT 1	141.2	0.00945	116.0305	LUBBOCK POWER & LIGHT-SOUTHEAST - LUBBOCK SOUTH INTERCHANGE 230KV CKT 1
25SP	00NR		4	TO->FROM	G15_032_115 LUBBOCK POWER & LIGHT-CO-OP - LUBBOCK POWER & LIGHT-WADSWORTH 69KV CKT 1	141.2	0.00895	114.2953	LUBBOCK POWER & LIGHT-HOLLY GEN - LUBBOCK POWER & LIGHT-NORTHEAST 69KV CKT 1
20SP	00NR		4	TO->FROM	G15_032_115 LUBBOCK POWER & LIGHT-CO-OP - LUBBOCK POWER & LIGHT-WADSWORTH 69KV CKT 1	108	0.00981	113.6509	BASE CASE
20SP	00NR		4	TO->FROM	G15_032_115 LUBBOCK POWER & LIGHT-CO-OP - LUBBOCK POWER & LIGHT-WADSWORTH 69KV CKT 1	143	0.01183	113.3909	LUBBOCK POWER & LIGHT-SLATON - LUBBOCK POWER & LIGHT-SOUTHEAST 69KV CKT 1
25SP	00NR		4	TO->FROM	G15_032_115 LUBBOCK POWER & LIGHT-CO-OP - LUBBOCK POWER & LIGHT-WADSWORTH 69KV CKT 1	141.2	0.00912	111.0737	CARLISLE INTERCHANGE - LUBBOCK POWER & LIGHT-MILWAUKEE 230KV CKT 1
25SP	00NR		4	TO->FROM	G15_032_115 LUBBOCK POWER & LIGHT-CO-OP - LUBBOCK POWER & LIGHT-WADSWORTH 69KV CKT 1	141.2	0.00912	111.0028	LUBBOCK POWER & LIGHT-MILWAUKEE (M-E C0681251) 230/69/13.5KV TRANSFORMER CKT 1
25SP	00NR		4	TO->FROM	G15_032_115 LUBBOCK POWER & LIGHT-CO-OP - LUBBOCK POWER & LIGHT-WADSWORTH 69KV CKT 1	141.2	0.00912	111.0028	SPP-SWPS-K39

SEASON	GROUP	SCENARIO	DIRECTION	SOURCE	MONITORED ELEMENT	RATE	CONTINGENCY		CONTINGENCY
						(MVA)	TDF	LOADING %	
15SP	00NR	4	TO->FROM	G15_032_115	LUBBOCK POWER & LIGHT-CO-OP - LUBBOCK POWER & LIGHT-WADSWORTH 69KV CKT 1	108	0.01066	109.7204	BASE CASE
25SP	00NR	4	TO->FROM	G15_032_115	LUBBOCK POWER & LIGHT-CO-OP - LUBBOCK POWER & LIGHT-WADSWORTH 69KV CKT 1	141.2	0.00741	108.7982	LUBBOCK POWER & LIGHT-OLIVER - LUBBOCK POWER & LIGHT-SOUTHEAST 69KV CKT 1
15SP	00NR	4	TO->FROM	G15_032_115	LUBBOCK POWER & LIGHT-CO-OP - LUBBOCK POWER & LIGHT-WADSWORTH 69KV CKT 1	143	0.01222	104.5916	LUBBOCK POWER & LIGHT-SLATON - LUBBOCK POWER & LIGHT-SOUTHEAST 69KV CKT 1
25SP	00NR	4	TO->FROM	G15_032_115	LUBBOCK POWER & LIGHT-CO-OP - LUBBOCK POWER & LIGHT-WADSWORTH 69KV CKT 1	141.2	0.00895	103.4596	LUBBOCK POWER & LIGHT-MACKENZIE GEN - LUBBOCK POWER & LIGHT-NORTHEAST 69KV CKT 1
20SP	00NR	4	TO->FROM	G15_032_115	LUBBOCK POWER & LIGHT-CO-OP - LUBBOCK POWER & LIGHT-WADSWORTH 69KV CKT 1	143	0.01214	103.386	LUBBOCK POWER & LIGHT-HOLLY GEN - LUBBOCK POWER & LIGHT-NORTHEAST 69KV CKT 1
20SP	00NR	4	TO->FROM	G15_032_115	LUBBOCK POWER & LIGHT-CO-OP - LUBBOCK POWER & LIGHT-WADSWORTH 69KV CKT 1	143	0.01352	103.3259	LUBBOCK POWER & LIGHT-SOUTHEAST - LUBBOCK SOUTH INTERCHANGE 230KV CKT 1
25SP	00NR	4	TO->FROM	G15_032_115	LUBBOCK POWER & LIGHT-CO-OP - LUBBOCK POWER & LIGHT-WADSWORTH 69KV CKT 1	141.2	0.00801	102.835	LUBBOCK POWER & LIGHT-SOUTHEAST (ABB 60258) 230/69/13.5KV TRANSFORMER CKT 1
25SP	00NR	4	TO->FROM	G15_032_115	LUBBOCK POWER & LIGHT-CO-OP - LUBBOCK POWER & LIGHT-WADSWORTH 69KV CKT 1	141.2	0.00796	102.3286	LUBBOCK POWER & LIGHT-SOUTHEAST (FRM WADSWRTH) 230/69/13.5KV TRANSFORMER CKT 2
25SP	00NR	4	TO->FROM	G15_032_115	LUBBOCK POWER & LIGHT-CO-OP - LUBBOCK POWER & LIGHT-WADSWORTH 69KV CKT 1	141.2	0.00749	101.5914	LUBBOCK POWER & LIGHT-CHALKER - LUBBOCK POWER & LIGHT-THOMPSON 69KV CKT 1
25SP	00NR	4	TO->FROM	G15_032_115	LUBBOCK POWER & LIGHT-CO-OP - LUBBOCK POWER & LIGHT-WADSWORTH 69KV CKT 1	141.2	0.00657	100.9001	LUBBOCK POWER & LIGHT-HOLLY GEN - LUBBOCK POWER & LIGHT-SOUTHEAST 69KV CKT 1
25SP	00NR	4	TO->FROM	G15_032_115	LUBBOCK POWER & LIGHT-CO-OP - LUBBOCK POWER & LIGHT-WADSWORTH 69KV CKT 1	141.2	0.00741	100.512	LUBBOCK POWER & LIGHT-CHALKER - LUBBOCK POWER & LIGHT-OLIVER 69KV CKT 1
25SP	00NR	4	TO->FROM	G15_032_115	LUBBOCK POWER & LIGHT-SLATON - LUBBOCK POWER & LIGHT-SOUTHEAST 69KV CKT 1	143	0.00732	121.186	LUBBOCK POWER & LIGHT-CO-OP - LUBBOCK POWER & LIGHT-WADSWORTH 69KV CKT 1
20SP	00NR	4	TO->FROM	G15_032_115	LUBBOCK POWER & LIGHT-SLATON - LUBBOCK POWER & LIGHT-SOUTHEAST 69KV CKT 1	142.8	0.0099	110.8333	LUBBOCK POWER & LIGHT-CO-OP - LUBBOCK POWER & LIGHT-WADSWORTH 69KV CKT 1
20SP	00NR	4	TO->FROM	G15_032_115	LUBBOCK POWER & LIGHT-SLATON - LUBBOCK POWER & LIGHT-SOUTHEAST 69KV CKT 1	142.8	0.00594	109.021	LUBBOCK POWER & LIGHT-OLIVER - LUBBOCK POWER & LIGHT-SOUTHEAST 69KV CKT 1
25SP	00NR	4	FROM->TO	G15_032_115	WOLFFORTH INTERCHANGE (WH 7001668) 230/115/13.2KV TRANSFORMER CKT 1	140.3	0.01933	100.6408	CARLISLE INTERCHANGE - LP-DOUD_TP 3115.00 115KV CKT 1