

Definitive Interconnection
System Impact Study for
Generation Interconnection
Requests

(DISIS-2014-002-4)

Group 6 Restudy

(Cost Allocation for All Groups included)

November 2015

Generator Interconnection

Revision History

Date	Author	Change Description
01/30/2015	SPP	Report Issued (DISIS-2014-002)
05/18/2015	SPP	Account for Withdrawn Projects, Report Re-Posted (DISIS-2014-002-1)
05/27/2015	SPP	Corrected errors from 5/18/2015 posting. Added reference in Group 13 power flow and stability sections.
07/10/2015	SPP	Analysis for Group 6 only. Cost allocation for all projects. To account for Withdrawn Projects, Report Re-Posted (DISIS-2014-002-2)
09/11/2015	SPP	Analysis for Group 3 only. Cost allocation for all projects. To account for Withdrawn Projects, Report Re-Posted (DISIS-2014-002-3)
11/2/2015	SPP	Analysis for Group 6 only. Cost allocation for all projects. To account for Withdrawn Projects, Report Re-Posted (DISIS-2014-002-4)

Executive Summary

Pursuant to the Generator Interconnection Procedures (GIP) of the Southwest Power Pool (SPP) Open Access Transmission Tariff (OATT), SPP has conducted this Definitive Interconnection System Impact Study (DISIS). The Interconnection Customers' requests have been clustered together for the following System Impact Cluster Study window which closed September 30, 2014. The customers will be referred to in this study as the DISIS-2014-002 Interconnection Customers. This System Impact Study analyzes the interconnecting of multiple generation interconnection requests associated with new generation totaling approximately 2,913.37 MW of new generation which would be located within the transmission systems of American Electric Power – Western (AEPW), Empire District Electric Company (EMDE), Kansas City Power and Light Company – Greater Missouri Operations Company (KCPL-GMO), Grand River Dam Authority (GRDA), Midwest Energy, Inc. (MIDW), Nebraska Public Power District (NPPD), Oklahoma Gas and Electric (OKGE), Southwestern Public Service (SPS) and Sunflower Electric Power Corporation\Mid-Kansas Electric Company, LLC (SUNC\MKEC). The various generation interconnection requests have differing proposed in-service dates¹. The generation interconnection requests included in this System Impact Cluster Study are listed in Appendix A by their queue number, amount, requested interconnection service, area, requested interconnection point, proposed interconnection point, and the requested in-service date. This analysis represents a restudy of the "Stand-Alone" analysis for each Interconnection Request to account for all Interconnection Requests that have met the requirements for an Interconnection Facilities Study that was performed in the original DISIS-2014-002 study. This analysis also includes an analysis of Limited Operation that determines available Interconnection Service assuming all DISIS-2014-002 Customers move forward.

This study, DISIS-2014-002-4, is being performed due to the withdrawal of an Interconnection Request in Group 6. The Interconnection Request that withdrew was GEN-2014-066. This study includes a restudy of power flow and stability for Group 6 Interconnection Requests only. Cost Allocation for the remaining Interconnection Requests in DISIS-2014-002 are also included.

Power flow analysis has indicated that for the power flow cases studied, 2,913.37 MW of nameplate generation may be interconnected with transmission system reinforcements within the SPP transmission system. Dynamic stability and power factor analysis has determined the need for reactive compensation in accordance with SPP stability and voltage recovery requirements and FERC Order #661A for wind farm interconnection requests and those requirements are listed for each interconnection request within the contents of this report. Dynamic stability analysis has determined that the transmission system will remain stable with the assigned Network Upgrades and necessary reactive compensation requirements. A short circuit analysis has been performed with available short circuit values given in the stability study for each group in the appendices of this report.

¹ The generation interconnection requests in-service dates may need to be deferred based on the required lead time for the Network Upgrades necessary. The Interconnection Customers that proceed to the Facility Study will be provided a new in-service date based on the Facility Study's time for completion of the Network Upgrades necessary or as otherwise provided for in the GIP.

In no way does this study guarantee operation for all periods of time. This interconnection study identifies and assigns transmission reinforcements for Energy Resource (ER) interconnection injection constraints (defined as a 20% distribution factor impact for outage based constraints and 3% distribution factor for system intact constraints) and Network Resource (NR) constraints (defined as 3% distribution factor impact), if requested by the Customer. These constraints are listed in Appendix G. This interconnection study does not assign transmission reinforcements for all potential transmission constraints. It should be noted that although this study analyzed many of the most probable contingencies, it is not an all-inclusive list and cannot account for every operational situation. Because of this, it is likely that the Customer(s) may be required to reduce their generation output to 0 MW, also known as curtailment, under certain system conditions to allow system operators to maintain the reliability of the transmission network.

The total estimated minimum cost for interconnecting the DISIS-2014-002 Interconnection Customers is estimated at \$221,207,716. These costs are shown in Appendix E and F. Interconnection Service to DISIS-2014-002 Interconnection Customers is also contingent upon higher queued customers paying for certain required network upgrades. **The in-service date for the DISIS customers will be deferred until the construction of these network upgrades can be completed.**

These costs do not include the Interconnection Customer Interconnection Facilities as defined by the SPP Open Access Transmission Tariff (OATT). This cost does not include additional network constraints in the SPP transmission system identified and shown in Appendix H.

Additional network constraints listed in Appendix H are in the local area of the new generation when this generation is injected throughout the SPP footprint for Energy Resource Interconnection Service (ERIS) requests. Certain Interconnection Requests were also studied for Network Resource Interconnection Service (NRIS). Those constraints are also listed in Appendix H. Constraints listed in Appendix H do not require transmission reinforcement for Interconnection Service. Additional network constraints will have to be verified with a Transmission Service Request (TSR) and associated studies. With a defined source and sink in a TSR, this list of Network Constraints will be refined and expanded to account for all Network Upgrade requirements.

The required interconnection costs listed in Appendix E and F do not include all costs associated with the deliverability of the energy to final customers. These costs are determined by separate studies if the Customer submits a Transmission Service Request through SPP's Open Access Same Time Information System (OASIS) as required by Attachment Z1 of the SPP OATT.

Table of Contents

Introduction.....	1
Model Development	2
Development of Base Cases	2
Identification of Network Constraints.....	6
Determination of Cost Allocated Network Upgrades.....	6
Required Interconnection Facilities	7
Power Flow Analysis	8
Curtailment and System Reliability.....	10
Stability & Short Circuit Analysis	12
Conclusion	15
Appendices	16
A: Generation Interconnection Requests Considered for Impact Study	A-0
B: Prior Queued Interconnection Requests	B-0
C: Study Groupings	C-0
D: Proposed Point of Interconnection One Line Diagrams.....	D-0
E: Cost Allocation per Interconnection Request (Including Prior Queued Upgrades).....	E-0
F: Cost Allocation per Proposed Study Network Upgrade.....	F-0
G: Power Flow Analysis (Constraints Used For Mitigation)	G-0
H: Power Flow Analysis (Other Constraints Not Requiring Mitigation).....	H-0
I: Power Flow Analysis (Constraints from Multi-Contingencies)	I-0

Introduction

Pursuant to the Southwest Power Pool (SPP) Open Access Transmission Tariff (OATT), SPP has conducted this Definitive Interconnection System Impact Study (DISIS) for certain generation interconnection requests in the SPP Generation Interconnection Queue. These interconnection requests have been clustered together for the following System Impact Study window which closed September 30, 2014. The customers will be referred to in this study as the DISIS-2014-002 Interconnection Customers. This DISIS analyzes the interconnecting of multiple generation interconnection requests associated with new generation totaling 2,913.37 MW of new generation which would be located within the transmission systems of American Electric Power –Western (AEPW), Empire District Electric Company (EMDE), Kansas City Power and Light Company – Greater Missouri Operations Company (KCPL-GMO), Grand River Dam Authority (GRDA), Midwest Energy, Inc. (MIDW), Nebraska Public Power District (NPPD), Oklahoma Gas and Electric (OKGE), Southwestern Public Service (SPS) and Sunflower Electric Power Corporation\Mid-Kansas Electric Company, LLC (SUNC\MKEC). The various generation interconnection requests have differing proposed in-service dates². The generation interconnection requests included in this System Impact Study are listed in Appendix A by their queue number, amount, requested interconnection service, area, requested interconnection point, proposed interconnection point, and the requested in-service date. This analysis represents a restudy of the “Stand-Alone” analysis for each Interconnection Request to account for all Interconnection Requests that have met the requirements for an Interconnection Facilities Study that was performed in the original DISIS-2014-002 study. This analysis also includes an analysis of Limited Operation that determines available Interconnection Service assuming all DISIS-2014-002 Customers move forward.

This study, DISIS-2014-002-4, is being performed due to the withdrawal of an Interconnection Request in Group 6. The Interconnection Request that withdrew was GEN-2014-066. This study includes a restudy of power flow and stability for Group 6 Interconnection Requests only. Cost Allocation for the remaining Interconnection Requests in DISIS-2014-002 are also included.

The primary objective of this DISIS is to identify the system constraints associated with connecting the generation to the area transmission system. The Impact Study and other subsequent Interconnection Studies are designed to identify required interconnection facilities, Network Upgrades and other Direct Assignment Facilities needed to accept power into the grid at each specific interconnection receipt point.

² The generation interconnection requests in-service dates may need to be deferred based on the required lead time for the Network Upgrades necessary. The Interconnection Customers that proceed to the Facility Study will be provided a new in-service date based on the completion of the Facility Study or as otherwise provided for in the GIP.

Model Development

Interconnection Requests Included in the Cluster

SPP included all interconnection requests that submitted a Definitive Interconnection System Impact Study Agreement no later than September 30, 2014 and were subsequently accepted by Southwest Power Pool under the terms of the Generator Interconnection Procedures (GIP) that were in effect at the time this study commenced on October 1, 2014. The interconnection requests that are included in this study are listed in Appendix A.

Affected System Interconnection Request

Also included in this Definitive Interconnection System Impact Study is seven (7) Affected System Studies. The Affected System Interconnection Requests have been given the designations with the “ASGI” prefix. These requests are listed in Appendix A. Affected System Interconnection Requests were studied only in a “cluster” scenario.

Previously Queued Interconnection Requests

The previous queued requests included in this study are listed in Appendix B. In addition to the Base Case Upgrades, the previous queued requests and associated upgrades were assumed to be in-service and added to the Base Case models. These projects were dispatched as Energy Resources with equal distribution across the SPP footprint. Prior queued projects that requested Network Resource Interconnection Service (NRIS) were dispatched in an additional analysis into the balancing authority of the interconnecting transmission owner.

Development of Base Cases

Power Flow

The 2014 series Integrated Transmission Planning models (used in the 2015ITPNT) including the 2015 (spring and summer peak seasons), the 2020 (summer and winter peak seasons), and the 2025 (summer peak season) scenario 0 cases were used for this study. After the cases were developed, each of the control areas’ resources were then re-dispatched to account for the new generation requests using current dispatch orders. Planned High Priority Incremental Loads (HPILs) are accounted for in these models.

Dynamic Stability

The 2014 series SPP Model Development Working Group (MDWG) Models 2015 summer, 2015 winter, and 2025 summer peak cases were used as starting points for this study.

Short Circuit

The 2025 summer peak stability case was used for this analysis.

Base Case Upgrades

The following facilities are part of the SPP Transmission Expansion Plan, the Balanced Portfolio or recently approved Priority Projects. These facilities have an approved Notification to Construct (NTC) or are in construction stages and were assumed to be in-service at the time of dispatch and added to the base case models. The DISIS-2014-002 Interconnection Customers have not been assigned advancement costs for the below listed projects. The DISIS-2014-002 Interconnection Customers

Generation Facilities in service dates may need to be delayed until the completion of the following upgrades. In some cases, the in-service date is beyond the allowable time a customer can delay. In this case, the Interconnection Customer may move forward with Limited Operation or remain in the DISIS Queue for additional study cycles. If for some reason, construction on these projects is discontinued, additional restudies will be needed to determine the interconnection needs of the DISIS Interconnection Customers.

- 2012 Integrated Transmission Plan (2012 ITP10) Projects
 - Woodward-Tatonga-Mathewson-Cimarron 345kV transmission line, scheduled for 2021 in-service³
 - Chisholm – Gracemont 345kV transmission line, and Chisholm 345/230kV transformer circuit #1, scheduled for 3/1/2018 in-service⁴
- 2015 Integrated Transmission Plan Near Term (2015 ITPNT) Projects
 - China Draw 115kV Reactive Power Support
 - 200Mvar Capacitive and 50Mvar Inductive Static Var Compensator (SVC)
 - Road Runner 115kV Reactive Power Support
 - 200Mvar Capacitive and 50Mvar Inductive Static Var Compensator (SVC)
 - Potash Junction – Intrepid – IMC #1 – Livingston Ridge 115kV rebuild
- Balanced Portfolio Projects⁵:
 - Iatan – Nashua 345/161 kV Project, scheduled for 6/1/2015 in-service
 - Iatan – Nashua 345 kV circuit #1 and associated terminal equipment
 - Nashua 345/161/13 kV autotransformer circuit #1
- Nebraska City – Mullin Creek – Sibley 345kV circuit #1 build, scheduled for 6/1/2017 in-service⁶
- Northwest 345/138/13.8 kV circuit #3 autotransformer, scheduled for 6/1/2015 in-service⁷
- Hoskins – Neligh East 345/115 kV Project⁸
 - Neligh East 345/115 kV substation and transformer
 - Neligh East Area 115 kV upgrades to support new station
 - Hoskins – Neligh East 345 kV circuit #1
- High Priority Incremental Loads (HPILs) Projects⁹:
 - TUCO Interchange – Yoakum – Hobbs Interchange 345/230 kV Project
 - TUCO Interchange – Yoakum – Hobbs Interchange 345 kV circuit #1 and associated terminal equipment upgrades
 - Hobbs 345/230/13 kV transformer circuit #1
 - Yoakum 345/230/13 kV transformer circuit #1
 - Battle Axe – Road Runner 115 kV circuit #1
 - Chaves County – Price – CV Pines – Capitan 115 kV circuit #1

³ SPP Notification to Construct (NTC) 200223

⁴ SPP Notification to Construct (NTC) 200240 and 200255

⁵ SPP Notification to Construct (NTC) issued June 2009

⁶ SPP Notification to Construct (NTC) 20097 and 20098

⁷ SPP Transmission Service Project identified in SPP 2009-AG2-AFS6. Per SPP NTC 20137 & 200194

⁸ SPP Regional Reliability 2012 ITP 10 Project Per SPP-NTC-200220

⁹ Per Network Upgrades assigned in High Priority Incremental Loads (HPILs) study, Including Direct Assigned Upgrades, Projects in SPP-NTC-200256 and SPP-NTC-200283.

- China Draw – Yeso Hills 115 kV circuit #1
- Dollarhide – Toboso Flats 115 kV circuit #1
- Hobbs Interchange – Kiowa 345 kV circuit #1
- Kiowa – North Loving – China Draw 345/115 kV Projects
 - Kiowa – North Loving – China Draw circuit #1 and associated terminal equipment upgrades
 - China Draw 345/115/13 kV transformer circuit #1
 - North Loving 345/115/13 kV transformer circuit #1
- Kiowa – Road Runner 345/230/115 kV Projects
 - Kiowa 345/230 kV transformer circuit #1
 - Road Runner 345/115/13 kV transformer circuit #1
- Livingston Ridge – Sage Brush – Lagarto – Cardinal 115 kV circuit #1
- North Loving – South Loving 115 kV circuit #1
- Ponderosa – Ponderosa Tap 115 kV circuit #1
- Potash 230/115/13kV Transformer circuit #1 replacement

Contingent Upgrades

The following facilities do not yet have approval. These facilities have been assigned to higher queued interconnection customers. These facilities have been included in the models for the DISIS-2014-002 study and are assumed to be in service. This list may not be all inclusive. The DISIS-2014-002 Interconnection Customers, at this time, do not have responsibility for these facilities but may later be assigned the cost of these facilities if higher queued customers terminate their Generation Interconnection Agreement or withdraw from the interconnection queue. The DISIS-2014-002 Interconnection Customer Generation Facilities in-service dates may need to be delayed until the completion of the following upgrades.

- Upgrades assigned to DISIS-2009-001 Interconnection Customers:
 - Spearville Project
 - Spearville 345/115 kV transformer circuit #1 addition
 - Spearville – North Ft. Dodge 115 kV addition
 - Ft Dodge – North Ft. Dodge circuit #2 addition
 - Move Fort Dodge terminal of Shooting Star 115 kV at North Ft Dodge
 - Fort Randall – Meadow Grove – Kelly 230 kV circuit #1 rerate (320 MVA)
- Upgrades assigned to DISIS-2010-001 Interconnection Customers:
 - None at this time
- Upgrades assigned to DISIS-2010-002 Interconnection Customers:
 - Twin Church – Dixon County 230 kV circuit #1 rerate (320 MVA)
 - Buckner – Spearville 345 kV terminal equipment
- Upgrades assigned to DISIS-2011-001 Interconnection Customers:
 - Hoskins – Dixon County – Twin Church 230 kV circuit #1 conductor clearance increase
 - (NRIS only) Woodward – FPL Switch – Mooreland – Glass Mountain 138 kV circuit #1 rebuild
- Upgrades assigned to DISIS-2011-002 Interconnection Customers:
 - None at this time
- Upgrades assigned to DISIS-2012-001 Interconnection Customers:

- None at this time
- Upgrades assigned to DISIS-2012-002 Interconnection Customers:
 - Amoco Wasson – Oxy Tap 230 kV circuit #1 replace line traps
 - Associated Electric Cooperatives Inc. (AECl) Fairfax 138/69 kV transformer replacement
 - Lake Creek – Lone Wolf 69 kV circuit #1 reset CT
 - Remington – Fairfax 138 kV circuit #1 conductor clearance increase
 - (NRIS only) Arkansas City – Paris –Creswell – Oak – Rainbow – City of Winfield 69kV circuit #1 rebuild
 - (NRIS only) Creswell 138/69/13kV Transformer circuit #1 and #2, replacements
- Upgrades assigned to DISIS-2013-001 Interconnection Customers:
 - None at this time
- Upgrades assigned to DISIS-2013-002 Interconnection Customers:
 - Battle Creek – County Line – Neligh East 115kV circuit #1 rebuild
- Upgrades assigned to DISIS-2014-001 Interconnection Customers:
 - None at this time

Potential Upgrades Not in the Base Case

Any potential upgrades that do not have a Notification to Construct (NTC) and not explicitly listed within this report have not been included in the base case. These upgrades include any identified in the SPP Extra-High Voltage (EHV) overlay plan, or any other SPP planning study other than the upgrades listed above in the previous section.

Regional Groupings

The interconnection requests listed in Appendix A were grouped together into ten (10) active regional groups based on geographical and electrical impacts. These groupings are shown in Appendix C.

To determine interconnection impacts, ten (10) different generation dispatch scenarios of the spring, summer, and winter base case models were developed to accommodate the regional groupings.

Power Flow

For Energy Resource Interconnection Service (ERIS), the generating plants were modeled at 100% nameplate of maximum generation. The generating plants in the remote areas were modeled at 20% nameplate of maximum generation. These projects were dispatched as Energy Resources with a load factor by area distribution across the SPP footprint. All generators that requested Network Resource Interconnection Service (NRIS) were dispatched in an additional analysis into the balancing authority of the interconnecting transmission owner at 100% nameplate with Energy Resource Interconnection Service (ERIS) only requests at 80% nameplate. This method allowed for the identification of network constraints that were common to the regional groupings that could then in turn have the mitigating upgrade cost allocated throughout the entire cluster.

Peaking units were not dispatched in the 2015 spring model. To study peaking units' impacts, the 2015 summer, 2020 summer and winter, and 2025 summer seasonal models were chosen and peaking units were modeled at 100% of the nameplate rating and non-dispatchable generating facilities were modeled at 10% of the nameplate rating. Each interconnection request was also modeled separately at 100% nameplate for certain analyses.

Dynamic Stability

For each group, all interconnection requests were studied at 100% nameplate output while the other groups were dispatched at 20% output for wind requests and 100% output for thermal requests.

Short Circuit

The dynamic stability models (2025 SP) were used for this analysis.

Identification of Network Constraints

The initial set of network constraints were found by using PSS®MUST First Contingency Incremental Transfer Capability (FCITC) analysis on the entire cluster grouping dispatched at the various levels mentioned above. The Energy Resource Interconnection Service (ERIS) constraints were then screened to determine which of the generation interconnection requests had at least a 20% Distribution Factor (DF) upon outage based constraints (n-1) and 3% DF upon system intact constraints (n-0). In addition, stability issues are also considered for transmission reinforcement under ERIS. Interconnection Requests that have requested Network Resource Interconnection Service (NRIS) were also studied in the NRIS analysis to determine if any constraint measured at least a 3% DF. If so, these constraints were also considered for mitigation under NRIS.

Constraints that were identified and require transmission reinforcement are listed in Appendix G. These constraints met the criteria for analysis for Energy Resource Interconnection Service and Network Resource Interconnection Service (if requested).

Other network constraints which do not require transmission reinforcements are shown in Appendix H. With a defined source and sink in a Transmission Service Request, this list of network constraints can be refined and expanded to account for all Network Upgrade requirements for firm transmission service. Additional constraints identified by multi-element contingencies are listed in Appendix I.

In no way does the list of constraints in Appendix G identify all potential constraints that guarantee operation for all periods of time. It should be noted that although this study analyzed many of the most probable contingencies, it is not an all-inclusive list and cannot account for every operational situation. Because of this, it is likely that the Customer(s) may be required to reduce their generation output to 0 MW, also known as curtailment, under certain system conditions to allow system operators to maintain the reliability of the transmission network.

Determination of Cost Allocated Network Upgrades

Cost Allocated Network Upgrades of wind generation interconnection requests were determined using the 2015 spring model. Cost Allocated Network Upgrades of peaking units was determined using the 2020 summer peak model. A PSS®MUST sensitivity analysis was performed to determine the Distribution Factors (DF), a distribution factor with no contingency that each generation interconnection request had on each new upgrade. The impact each generation interconnection request had on each upgrade project was weighted by the size of each request. Finally the costs due

by each request for a particular project were then determined by allocating the portion of each request's impact over the impact of all affecting requests.

For example, assume that there are three Generation Interconnection requests, X, Y, and Z that are responsible for the costs of Upgrade Project '1'. Given that their respective PTDF for the project have been determined, the cost allocation for Generation Interconnection request 'X' for Upgrade Project 1 is found by the following set of steps and formulas:

- Determine an Impact Factor on a given project for all responsible GI requests:

$$\text{Request X Impact Factor on Upgrade Project 1} = \text{PTDF}(\%)(X) * \text{MW}(X) = X1$$

$$\text{Request Y Impact Factor on Upgrade Project 1} = \text{PTDF}(\%)(Y) * \text{MW}(Y) = Y1$$

$$\text{Request Z Impact Factor on Upgrade Project 1} = \text{PTDF}(\%)(Z) * \text{MW}(Z) = Z1$$

- Determine each request's Allocation of Cost for that particular project:

$$\text{Request X's Project 1 Cost Allocation (\$)} = \frac{\text{Network Upgrade Project 1 Cost(\$)} * X1}{X1 + Y1 + Z1}$$

- Repeat previous for each responsible GI request for each Project

The cost allocation of each needed Network Upgrade is determined by the size of each request and its impact on the given project. This allows for the most efficient and reasonable mechanism for sharing the costs of upgrades.

Credits/Compensation for Amounts Advanced for Network Upgrades

Interconnection Customer shall be entitled to either credits or potentially Long Term Congestion Rights (LTCR)¹⁰ in accordance with Attachment Z2 of the SPP Tariff for any Network Upgrades including any tax gross-up or any other tax-related payments associated with the Network Upgrades, and not refunded to the Interconnection Customer.

Required Interconnection Facilities

The requirement to interconnect the 2,913.37 MW of generation into the existing and proposed transmission systems in the affected areas of the SPP transmission footprint consist of the necessary cost allocated shared facilities listed in Appendix F by upgrade. The interconnection requirements for the cluster total an estimated \$221,207,716. Interconnection Facilities specific to each generation interconnection request are listed in Appendix E. A preliminary one-line drawing for each generation interconnection request are listed in Appendix D.

¹⁰ FERC compliance filing pending

For an explanation of how required Network Upgrades and Interconnection Facilities were determined, refer to the section on “Identification of Network Constraints” above.

Facilities Analysis

The Transmission Owner for each Interconnection Request has provided its analysis of Interconnection Facilities and Network Upgrades at the Point of Interconnection, shown in Appendix D. This analysis was limited only to the facilities at the substation at the Point of Interconnection. These costs as provided by the Transmission Owners are given with the one-line diagrams in Appendix D and are also listed in Appendix E and F as “Interconnection Costs”. These costs will be refined by the Transmission Owner as part of the Interconnection Facilities Study. Any additional Network Upgrades identified by this DISIS beyond the Point of Interconnection were either analyzed by the Transmission Owner or by SPP. These additional Network Upgrade costs will be more closely estimated by the Transmission Owner in the Interconnection Facilities Study.

Power Flow Analysis

Power Flow Analysis Methodology

The ACCC function of PSS®E was used to simulate single element and special (i.e., breaker-to-breaker, multi-element, etc.) contingencies in portions or all of the modeled control areas of SPP, as well as, other control areas external to SPP and the resulting scenarios analyzed. Single element and multi-element contingencies were evaluated.

Power Flow Analysis

A power flow analysis was conducted for each Interconnection Customer’s facility using modified versions of the 2015 spring and summer peak, the 2020 summer and winter peak, and the 2025 summer peak models. The output of the Interconnection Customer’s facility was offset in each model by a reduction in output of existing online SPP generation. This method allows the request to be studied as an Energy Resource Interconnection Service request (ERIS). Certain requests that are pursuing Network Resource Interconnection Service (NRIS) had an additional analysis conducted for displacing resources in the interconnecting Transmission Owner’s balancing authority.

Cluster Group 1 (Woodward Area)

In addition to the 3,866.54 MW of previously queued generation in the area, 350.0 MW of new interconnection service was studied. This group was not analyzed for this restudy and previously identified results remain valid.

Cluster Group 2 (Hitchland Area)

In addition to the 2,962.7 MW of previously queued generation in the area, 150.0 MW of new interconnection service was studied. This group was not analyzed for this restudy and previously identified results remain valid.

Cluster Group 3 (Spearville Area)

In addition to the 3,105.8 MW of previously queued generation in the area, 299.0 MW of new interconnection service was studied. This group was not analyzed for this restudy and previously identified results remain valid.

Cluster Group 4 (Northwest Kansas Area)

In addition to the 1,339.4 MW of previously queued generation in the area, 125.57 MW of new interconnection service was studied. This group was not analyzed for this restudy and previously identified results remain valid.

Cluster Group 5 (Amarillo Area)

In addition to the 653.5 MW of previously queued generation in the area, 320.0 MW of new interconnection service was studied. This group was not analyzed for this restudy and previously identified results remain valid.

Cluster Group 6 (South Texas Panhandle/New Mexico)

In addition to the 3,454.37 MW of previously queued generation in the area, 659.6 MW of new interconnection service was studied. The TUCO 345/230kV transformer overloads require a third 345/230kV transformer at a new TUCO substation that will be tapping and tying TUCO – Border 345kV line with TUCO – Swisher 230kV line. Interconnecting additional resources into the transmission system north of Pleasant Hill, NM, was also difficult due to a weak transmission system and voltage collapse. To mitigate these issues the transmission line from Norton-Pleasant Hill 115 kV was converted to 230kV and reactive equipment was added, either at specific Customer locations or on the transmission system, to support the voltage in the area under constraints. Other upgrades more specific to the individual requests were also required.

Cluster ERIE Constraints			
MONITORED ELEMENT	Limiting Rate A/B (MVA)	TC%LOADING (% MVA)	CONTINGENCY
Non-Converged Contingency	159	N/A	INTREPDW_TP3115.00 - POTASH JUNCTION INTERCHANGE 115KV CKT 1
CARLISLE INTERCHANGE (WH XHS70711) 230/115/13.2KV TRANSFORMER CKT 1	168	104.4	CARLISLE INTERCHANGE - WOLFFORTH INTERCHANGE 230KV CKT 1
Norton Switching Station - PLEASANT HILL 115KV CKT 1	159	100.6	BASE CASE
PLANT X STATION - TOLK STATION EAST 230KV CKT 2	502	129.8	PLANT X STATION - TOLK STATION WEST 230KV CKT 1
PLANT X STATION - TOLK STATION WEST 230KV CKT 1	502	130.8	PLANT X STATION - TOLK STATION EAST 230KV CKT 2
TUCO INTERCHANGE (GE M1022338) 345/230/13.2KV TRANSFORMER CKT 1	560	129.2	TUCO INTERCHANGE (SIEM 8743066) 345/230/13.2KV TRANSFORMER CKT 2
TUCO INTERCHANGE (SIEM 8743066) 345/230/13.2KV TRANSFORMER CKT 2	644	111.0	TUCO INTERCHANGE (GE M1022338) 345/230/13.2KV TRANSFORMER CKT 1

Cluster NRIS Constraints			
MONITORED ELEMENT	Limiting Rate A/B (MVA)	TC%LOADING (% MVA)	CONTINGENCY
Currently, No NRIS Group 6 constraints			

Group 6 (Limited Operation)

Limited Operation results are listed below. While these results are based on the criteria listed in GIP 8.4.3, the Interconnection Customer may request additional scenarios for Limited Operation based on higher queued Interconnection Requests not being placed in service.

Limited Operation Analysis		
Interconnection Request	MW	Constraint that limits LOIS
GEN-2013-027	20	Plant X – Tolk 230kV
GEN-2014-033	9	Plant X – Tolk 230kV

Limited Operation Analysis		
Interconnection Request	MW	Constraint that limits LOIS
GEN-2014-034	9	Plant X – Tolk 230kV
GEN-2014-035	4	Plant X – Tolk 230kV
GEN-2014-047	5	Plant X – Tolk 230kV
GEN-2014-053	33	Tuco 345/230kV xfmr
GEN-2014-054	50	Tuco 345/230kV xfmr

Cluster Group 7 (Southwestern Oklahoma)

In addition to the 1,751.0 MW of previously queued generation in the area, 0.0 MW of new interconnection service was studied. No new power flow constraints were found in this area.

Cluster Group 8 (North Oklahoma/South Central Kansas)

In addition to the 3,848.4 MW of previously queued generation in the area, 339.8 MW of new interconnection service was studied. This group was not analyzed for this restudy and previously identified results remain valid.

Cluster Group 9 (Nebraska Area)

In addition to the 1,973.1 MW of previously queued generation in the area, 119.4 MW of new interconnection service was studied. This group was not analyzed for this restudy and previously identified results remain valid.

Cluster Group 10 (Southeast Oklahoma/Northeast Texas)

In addition to the 0.0 MW of previously queued generation in the area, 0.0 MW of new interconnection service was studied. No new constraints were found in this area.

Cluster Group 12 (Northwest Arkansas)

In addition to the 30.0 MW of previously queued generation in the area, 0.0 MW of new interconnection service was studied. No new constraints were found in this area.

Cluster Group 13 (Northwest Missouri)

In addition to the 134.6 MW of previously queued generation in the area, 300.0 MW of new interconnection service was studied. This group was not analyzed for this restudy and previously identified results remain valid.

Cluster Group 14 (South Central Oklahoma)

In addition to the 362.5 MW of previously queued generation in the area, 250.0 MW of new interconnection service was studied. This group was not analyzed for this restudy and previously identified results remain valid.

Curtailment and System Reliability

In no way does this study guarantee operation for all periods of time. It should be noted that although this study analyzed many of the most probable contingencies, it is not an all-inclusive list and cannot account for every operational situation. Because of this, it is likely that the Customer(s) may be required to reduce their generation output to 0 MW, also known as curtailment, under

certain system conditions to allow system operators to maintain the reliability of the transmission network.

Stability & Short Circuit Analysis

A stability and short circuit analysis was conducted for each Interconnection Customer using modified versions of the 2014 series SPP Model Development Working Group (MDWG) Models 2015 winter, 2015 summer, and 2025 summer peak dynamic cases¹¹. The stability analysis was conducted with all upgrades in service that were identified in the power flow analysis unless otherwise noted in the individual group stability study. For each group, the interconnection requests were studied at 100% nameplate output while the other groups were dispatched at 20% output for non-dispatchable requests and 100% output for other requests. The output of the Interconnection Customer's facility was offset in each model by a reduction in output of existing online SPP generation. Each Interconnection Request was studied in a Stand Alone scenario in addition to the cluster scenario. The following synopsis is included for each group. The entire stability study for each group can be found in the Appendices.

Cluster Group 1 (Woodward Area)

The Group 1 stability analysis was not performed again for this restudy. The original analysis in DISIS-2014-002 is still valid.

Cluster Group 2 (Hitchland Area)

The Group 2 stability analysis was not performed again for this restudy. The original analysis in DISIS-2014-002 is still valid.

Cluster Group 3 (Spearville Area)

The Group 3 stability analysis was not performed again for this restudy. The original analysis in DISIS-2014-002 is still valid.

Cluster Group 4 (Northwest Kansas)

The Group 4 stability analysis was not performed again for this restudy. The original analysis in DISIS-2014-002 is still valid.

Cluster Group 5 (Amarillo Area)

The Group 5 stability analysis was not performed again for this restudy. The original analysis in DISIS-2014-002 is still valid.

Cluster Group 6 (South Texas Panhandle/New Mexico)

A limited stability study was performed by SPP Staff to determine the sensitivity of the withdrawn Interconnection Requests to the previously sized reactive compensation at Oklaunion. Stability analysis did not identify a continued need for additional reactive power compensation equipment at the Oklaunion Substation. The previously identified reactive compensation needs for the Interconnection Requests near Tucumcari, NM are no longer required. Power Factor requirements were not revisited. The requirements from DISIS-2014-002-4 are listed in the table below. In addition, some Interconnection Requests may have requirements for reactors under low wind conditions as identified in previous reports.

¹¹ Short Circuit analysis performed only on the 2025 Summer Peak seasonal model.

Power Factor Requirements:

Request	Size (MW)	Generator Model	Point of Interconnection	Power Factor Requirement at POI*	
				Lagging (supplying)	Leading (absorbing)
GEN-2013-027**	150	Siemens 2.3MW and 2.415MW	Tap Tolk to Yoakum 230kV (562480)	0.95	0.95
GEN-2014-033	70	GE LV5 1500V 4.0MW inverter	Chaves County 115kV	0.95	0.95
GEN-2014-034	70	GE LV5 1500V 4.0MW inverter	Chaves County 115kV	0.95	0.95
GEN-2014-035	30	GE LV5 1500V 4.0MW inverter	Chaves County 115kV	0.95	0.95
GEN-2014-047**	40	AE 500NX 0.5MW PV inverters	Tap Tolk - Eddy County (Crossroads) 345kV	0.95	0.95
GEN-2014-053**	80	GE 2.0MW WTG	Carlisle 230kV	0.95	0.95
GEN-2014-054**	120	GE 2.0MW WTG	Carlisle 230kV	0.95	0.95
ASGI-2014-002	49.6	SMA SC 800CP 0.8MW PV inverter	Santa Rosa tap - Tucumcari 69kV line	0.95	0.95
ASGI-2014-005	10	Solar PV inverter	Strata 69 kV - bus 528046	0.95	0.95
ASGI-2014-008	10	Solar PV inverter	South Loving 69 kV - bus 528218	0.95	0.95
ASGI-2014-009	10	Solar PV inverter	Wood Draw 115 kV - bus 528228	0.95	0.95
ASGI-2014-010	10	Solar PV inverter	Ochoa 115 kV - bus 528232	0.95	0.95
ASGI-2014-012	10	Solar PV inverter	Cooper Ranch 115 kV - bus 528554	0.95	0.95

*As reactive power is required for all projects, the final requirement in the GIA will be the pro-forma 95% lagging to 95% leading at the point of interconnection.

** Requirement for reactors for low wind conditions

Cluster Group 7 (Southwest Oklahoma)

There were no customers requesting interconnection service in the Southwest Oklahoma area.

Cluster Group 8 (South Central Kansas/North Oklahoma)

The Group 8 stability analysis was not performed again for this restudy. The original analysis in DISIS-2014-002 is still valid.

Cluster Group 9 (Nebraska)

The Group 9 stability analysis was not performed again for this restudy. The original analysis in DISIS-2014-002 is still valid.

Cluster Group 10 (Southeast Oklahoma/Northeast Texas Area)

There were no customers requesting interconnection service in Southeast Oklahoma/Northeast Texas area.

Cluster Group 12 (Northwest Arkansas Area)

There were no customers requesting interconnection service in the Northwest Arkansas area.

Cluster Group 13 (Northwest Missouri Area)

The Group 13 stability analysis was not performed again for this restudy. The original analysis in DISIS-2014-002 is still valid.

Cluster Group 14 (South Central Oklahoma)

The Group 14 stability analysis was not performed again for this restudy. The original analysis in DISIS-2014-002 is still valid.

Conclusion

The minimum cost of interconnecting 2,913.37 MW of new interconnection requests included in this Definitive Interconnection System Impact Study is estimated at \$221,207,716 for the Allocated Network Upgrades and Transmission Owner Interconnection Facilities are listed in Appendix E and F. These costs do not include the cost of upgrades of other transmission facilities listed in Appendix H which are Network Constraints.

These interconnection costs do not include any cost of Network Upgrades determined to be required by the short circuit analysis. Potential circuit breakers overdutied by short circuit capability will be identified by the Transmission Owner in the Interconnection Facilities Study. These studies will be performed if the Interconnection Customer executes the appropriate Interconnection Facilities Study Agreement and provides the required data along with demonstration of Site Control and the appropriate deposit. At the time of the Interconnection Facilities Study, a better determination of the interconnection facilities may be available.

The required interconnection costs listed in Appendices E, and F, and other upgrades associated with Network Constraints do not include all costs associated with the deliverability of the energy to final customers. These costs are determined by separate studies if the Customer submits a Transmission Service Request (TSR) through SPP's Open Access Same Time Information System (OASIS) as required by Attachment Z1 of the SPP Open Access Transmission Tariff (OATT).

Appendices

A: Generation Interconnection Requests Considered for Impact Study

See next page.

A: Generation Interconnection Requests Considered for Study

Request	Amount	Service	Area	Requested Point of Interconnection	Proposed Point of Interconnection	Requested In-Service Date	In Service Date Delayed Until no earlier than*
ASGI-2014-002	49.60	ER	SPS	Tap Tucumcari - Santa Rosa 115kV	Tap Tucumcari - Santa Rosa 115kV		TBD
ASGI-2014-005	10.00	ER	SPS	Strata 69kV	Strata 69kV		TBD
ASGI-2014-008	10.00	ER	SPS	South Loving 69kV	South Loving 69kV		TBD
ASGI-2014-009	10.00	ER	SPS	Wood Draw 115kV	Wood Draw 115kV		TBD
ASGI-2014-010	10.00	ER	SPS	Ochoa 115kV	Ochoa 115kV		TBD
ASGI-2014-012	10.00	ER	SPS	Cooper Ranch 115kV	Cooper Ranch 115kV		TBD
ASGI-2014-014	56.40	ER	GRDA	Ferguson 69kV	Ferguson 69kV		TBD
GEN-2013-010	99.00	ER	SUNCMKEC	Tap Spearville - Post Rock 345kV	Tap Spearville - Post Rock (North of GEN-2011-017 Tap) 345kV	12/31/2015	TBD
GEN-2013-027	150.00	ER	SPS	Tap Tolk - Yoakum 230kV	Tap Tolk - Yoakum 230kV	3/31/2016	TBD
GEN-2014-020	100.00	ER/NR	AEPW	Tuttle 138kV	Tuttle 138kV	12/31/2014	TBD
GEN-2014-021	300.00	ER/NR	GMO	Tap Nebraska City - Mullens Creek 345kV	Tap Nebraska City - Mullin Creek 345kV	12/1/2016	TBD
GEN-2014-025	2.40	ER	MIDW	Tap Nekoma - Bazine (Walnut Creek) 69kV	Tap Nekoma - Bazine (Walnut Creek) 69kV	10/15/2015	TBD
GEN-2014-026	150.00	ER	OKGE	Beaver County 345kV	Beaver County 345kV	12/31/2016	TBD
GEN-2014-028	35.00	ER	EMDE	Riverton 161kV	Riverton 161kV	1/1/2016	TBD
GEN-2014-031	35.80	ER/NR	NPPD	Meadow Grove 230kV	Meadow Grove 230kV	10/1/2015	TBD
GEN-2014-032	10.20	ER/NR	NPPD	Meadow Grove 230kV	Meadow Grove 230kV	10/1/2015	TBD
GEN-2014-033	70.00	ER	SPS	Chaves County 115kV	Chaves County 115kV	12/31/2016	TBD
GEN-2014-034	70.00	ER	SPS	Chaves County 115kV	Chaves County 115kV	12/31/2016	TBD
GEN-2014-035	30.00	ER	SPS	Chaves County 115kV	Chaves County 115kV	12/31/2016	TBD
GEN-2014-039	73.40	ER/NR	NPPD	Friend 115kV	Friend 115kV	12/1/2016	TBD
GEN-2014-040	320.00	ER	SPS	Castro 115kV	Castro 115kV	9/1/2016	TBD
GEN-2014-041	123.17	ER	SUNCMKEC	Arnold 115kV	Arnold 115kV	3/31/2016	TBD
GEN-2014-047	40.00	ER	SPS	Tap Tolk - Eddy County (Crossroads) 345kV	Tap Tolk - Eddy County (Crossroads) 345kV	12/1/2016	TBD
GEN-2014-049	200.00	ER	SUNCMKEC	Thistle 345kV	Thistle 345kV	12/31/2016	TBD
GEN-2014-053	80.00	ER	SPS	Carlisle 230kV	Carlisle 230kV	12/31/2016	TBD
GEN-2014-054	120.00	ER	SPS	Carlisle 230kV	Carlisle 230kV	12/31/2016	TBD
GEN-2014-056	250.00	ER	OKGE	Minco 345kV	Minco 345kV	12/31/2016	TBD
GEN-2014-057	250.00	ER	AEPW	Tap Lawton - Sunnyside 345kV	Tap Lawton - Sunnyside 345kV	12/31/2016	TBD
GEN-2014-064	248.40	ER	OKGE	Otter 138kV	Otter 138kV	12/1/2016	TBD
Total:						2,913.37	

*In-Service Date for each request is to be determined after the Interconnection Facility Study is completed.

B: Prior Queued Interconnection Requests

See next page.

B: Prior Queued Interconnection Requests

Request	Amount	Area	Requested/Proposed Point of Interconnection	Status or In-Service Date
ASGI-2010-006	150.00	AECI	Tap Fairfax (AECI) - Shilder (AEPW) 138kV	AECI queue Affected Study
ASGI-2010-010	42.20	SPS	Lovington 115kV	Lea County Affected Study
ASGI-2010-020	30.00	SPS	Tap LE-Tatum - LE-Crossroads 69kV	Lea County Affected Study
ASGI-2010-021	15.00	SPS	Tap LE-Saunders Tap - LE-Anderson 69kV	Lea County Affected Study
ASGI-2011-001	27.30	SPS	Lovington 115kV	On-Line
ASGI-2011-002	20.00	SPS	Herring 115kV	On-Line
ASGI-2011-003	10.00	SPS	Hendricks 115kV	On-Line
ASGI-2011-004	20.00	SPS	Pleasant Hill 69kV	Under Study (DISIS-2011-002)
ASGI-2012-002	18.15	SPS	FE-Clovis Interchange 115kV	Under Study (DISIS-2012-002)
ASGI-2012-006	22.50	SUNCMKEC	Tap Hugoton - Rolla 69kV	Under Study (DISIS-2012-001)
ASGI-2013-001	11.50	SPS	PanTex South 115kV	Under Study (DISIS-2013-001)
ASGI-2013-002	18.40	SPS	FE Tucumcari 115kV	Under Study (DISIS-2013-001)
ASGI-2013-003	18.40	SPS	FE Clovis 115kV	Under Study (DISIS-2013-001)
ASGI-2013-004	36.60	SUNCMKEC	Morris 115kV	Under Study (DISIS-2013-002)
ASGI-2013-005	1.65	SPS	FE Clovis 115kV	Under Study (DISIS-2013-002)
ASGI-2013-006	2.00	SPS	SP-Erskine 115kV	
ASGI-2014-001	2.50	SPS	SP-Erskine 115kV	Under Study (DISIS-2014-001)
GEN-2001-014	96.00	WFEC	Ft Supply 138kV	On-Line
GEN-2001-026	74.30	WFEC	Washita 138kV	On-Line
GEN-2001-033	180.00	SPS	San Juan Tap 230kV	On-Line at 120MW
GEN-2001-036	80.00	SPS	Norton 115kV	On-Line
GEN-2001-037	100.00	OKGE	FPL Moreland Tap 138kV	On-Line
GEN-2001-039A	105.00	SUNCMKEC	Shooting Star Tap 115kV	On-Line
GEN-2001-039M	100.00	SUNCMKEC	Central Plains Tap 115kV	On-Line
GEN-2002-004	200.00	WERE	Latham 345kV	On-Line at 150MW
GEN-2002-005	120.00	WFEC	Red Hills Tap 138kV	On-Line
GEN-2002-008	240.00	SPS	Hitchland 345kV	On-Line at 120MW
GEN-2002-009	80.00	SPS	Hansford 115kV	On-Line
GEN-2002-022	240.00	SPS	Bushland 230kV	On-Line
GEN-2002-023N	0.80	NPPD	Harmony 115kV	On-Line
GEN-2002-025A	150.00	SUNCMKEC	Spearville 230kV	On-Line
GEN-2003-004	100.00	WFEC	Washita 138kV	On-Line
GEN-2003-005	100.00	WFEC	Anadarko - Paradise (Blue Canyon) 138kV	On-Line
GEN-2003-006A	200.00	SUNCMKEC	Elm Creek 230kV	On-Line
GEN-2003-019	250.00	MIDW	Smoky Hills Tap 230kV	On-Line
GEN-2003-020	160.00	SPS	Martin 115kV	On-Line
GEN-2003-021N	75.00	NPPD	Ainsworth Wind Tap 115kV	On-Line
GEN-2003-022	120.00	AEPW	Washita 138kV	On-Line
GEN-2004-014	154.50	SUNCMKEC	Spearville 230kV	On-Line at 100MW
GEN-2004-020	27.00	AEPW	Washita 138kV	On-Line
GEN-2004-023	20.60	WFEC	Washita 138kV	On-Line
GEN-2004-023N	75.00	NPPD	Columbus Co 115kV	On-Line
GEN-2005-003	30.60	WFEC	Washita 138kV	On-Line
GEN-2005-008	120.00	OKGE	Woodward 138kV	On-Line
GEN-2005-012	250.00	SUNCMKEC	Ironwood 345kV	On-Line at 160MW
GEN-2005-013	201.00	WERE	Caney River 345kV	On-Line
GEN-2006-002	101.00	AEPW	Sweetwater 230kV	On-Line

Request	Amount	Area	Requested/Proposed Point of Interconnection	Status or In-Service Date
GEN-2006-018	170.00	SPS	TUCO Interchange 230kV	On-Line
GEN-2006-020N	42.00	NPPD	Bloomfield 115kV	On-Line
GEN-2006-020S	18.90	SPS	DWS Frisco 115kV	On-Line
GEN-2006-021	101.00	SUNCMKEC	Flat Ridge Tap 138kV	On-Line
GEN-2006-024S	19.80	WFEC	Buffalo Bear Tap 69kV	On-Line
GEN-2006-026	502.00	SPS	Hobbs 230kV & Hobbs 115kV	On-Line
GEN-2006-031	75.00	MIDW	Knoll 115kV	On-Line
GEN-2006-035	225.00	AEPW	Sweetwater 230kV	On-Line at 132MW
GEN-2006-037N1	75.00	NPPD	Broken Bow 115kV	On-Line
GEN-2006-038N005	80.00	NPPD	Broken Bow 115kV	On-Line
GEN-2006-038N019	80.00	NPPD	Petersburg North 115kV	On-Line
GEN-2006-043	99.00	AEPW	Sweetwater 230kV	On-Line
GEN-2006-044	370.00	SPS	Hitchland 345kV	On-Line at 120MW
GEN-2006-044N	40.50	NPPD	North Petersburg 115kV	On-Line
GEN-2006-046	131.00	OKGE	Dewey 138kV	On-Line
GEN-2007-011N08	81.00	NPPD	Bloomfield 115kV	On-Line
GEN-2007-021	201.00	OKGE	Tatonga 345kV	On-Line
GEN-2007-025	300.00	WERE	Viola 345kV	On-Line
GEN-2007-040	200.00	SUNCMKEC	Buckner 345kV	On-Line at 132MW
GEN-2007-043	200.00	OKGE	Minco 345kV	On-Line
GEN-2007-044	300.00	OKGE	Tatonga 345kV	On-Line at 199MW
GEN-2007-046	200.00	SPS	Hitchland 115kV	On Schedule for 2015
GEN-2007-050	170.00	OKGE	Woodward EHV 138kV	On-Line at 150MW
GEN-2007-052	150.00	WFEC	Anadarko 138kV	On-Line
GEN-2007-062	765.00	OKGE	Woodward EHV 345kV	On Schedule for 2016 and 2017
GEN-2008-003	101.00	OKGE	Woodward EHV 138kV	On-Line
GEN-2008-013	300.00	OKGE	Hunter 345kV	On-Line at 235MW
GEN-2008-018	250.00	SPS	Finney 345kV	On-Line
GEN-2008-021	42.00	WERE	Wolf Creek 345kV	On-Line
GEN-2008-022	300.00	SPS	Tap Tolk - Eddy County (Crossroads) 345kV	On Schedule for 2015
GEN-2008-023	150.00	AEPW	Hobart Junction 138kV	On-Line
GEN-2008-037	101.00	WFEC	Tap Washita - Blue Canyon Wind 138kV	On-Line
GEN-2008-044	197.80	OKGE	Tatonga 345kV	On-Line
GEN-2008-047	300.00	OKGE	Beaver County 345kV	On-Line
GEN-2008-051	322.00	SPS	Potter County 345kV	On-Line at 161MW
GEN-2008-079	99.20	SUNCMKEC	Crooked Creek 115kV	On-Line
GEN-2008-086N02	201.00	NPPD	Meadow Grove 230kV	On-Line
GEN-2008-092	201.00	MIDW	Post Rock 230kV	On Schedule for 2015
GEN-2008-098	100.80	WERE	Waverly 345kV	On Schedule for 2015
GEN-2008-1190	60.00	OPPD	S1399 161kV	On-Line
GEN-2008-123N	89.70	NPPD	Tap Pauline - Hildreth (Rosemont) 115kV	On Schedule for 2015
GEN-2008-124	200.10	SUNCMKEC	Ironwood 345kV	On Schedule for 2016
GEN-2008-129	80.00	GMO	Pleasant Hill 161kV	On-Line
GEN-2009-008	199.50	MIDW	South Hays 230kV	On Schedule for 2015
GEN-2009-020	48.30	MIDW	Tap Nekoma - Bazine (Walnut Creek) 69kV	On Schedule for 2015
GEN-2009-025	59.80	OKGE	Nardins 69kV	On-Line
GEN-2009-040	73.80	WERE	Marshall 115kV	On Schedule for 2016
GEN-2010-001	300.00	OKGE	Beaver County 345kV	On-Line at 204 MW, On Schedule for 2015 (96 MW)
GEN-2010-003	100.80	WERE	Waverly 345kV	On Schedule for 2015

Request	Amount	Area	Requested/Proposed Point of Interconnection	Status or In-Service Date
GEN-2010-005	299.20	WERE	Viola 345kV	On-Line at 170MW
GEN-2010-006	205.00	SPS	Jones 230kV	On-Line
GEN-2010-009	165.60	SUNCMKEC	Buckner 345kV	On-Line
GEN-2010-011	29.70	OKGE	Tatonga 345kV	On-Line
GEN-2010-014	358.80	SPS	Hitchland 345kV	On Suspension
GEN-2010-036	4.60	WERE	6th Street 115kV	On-Line
GEN-2010-040	300.00	OKGE	Cimarron 345kV	On-Line
GEN-2010-041	10.50	OPPD	S1399 161kV	On Schedule for 2015
GEN-2010-045	197.80	SUNCMKEC	Buckner 345kV	On Schedule for 2017
GEN-2010-046	56.00	SPS	TUCO Interchange 230kV	On Schedule for 2016
GEN-2010-051	200.00	NPPD	Tap Twin Church - Hoskins 230kV	On Suspension
GEN-2010-055	4.50	AEPW	Wekiwa 138kV	On-Line
GEN-2010-057	201.00	MIDW	Rice County 230kV	On-Line
GEN-2011-008	600.00	SUNCMKEC	Clark County 345kV	On Schedule for 2016
GEN-2011-010	100.80	OKGE	Minco 345kV	On-Line
GEN-2011-011	50.00	KCPL	Iatan 345kV	On-Line
GEN-2011-014	201.00	OKGE	Tap Hitchland - Woodward Dbl Ckt (GEN-2011-014 Tap) 345kV	On Schedule for 2016
GEN-2011-016	200.10	SUNCMKEC	Spearville 345kV	IA Pending
GEN-2011-018	73.60	NPPD	Steele City 115kV	On-Line
GEN-2011-019	299.00	OKGE	Woodward 345kV	On Suspension
GEN-2011-020	299.00	OKGE	Woodward 345kV	On Suspension
GEN-2011-022	299.00	SPS	Hitchland 345kV	On Suspension
GEN-2011-025	80.00	SPS	Tap Floyd County - Crosby County 115kV	On Schedule for 2016
GEN-2011-027	120.00	NPPD	Tap Hoskins - Twin Church 230kV	On Suspension
GEN-2011-037	7.00	WFEC	Blue Canyon 5 138kV	On-Line
GEN-2011-040	111.00	OKGE	Carter County 138kV	On-Line
GEN-2011-045	205.00	SPS	Jones 230kV	On-Line
GEN-2011-046	27.00	SPS	Lopez 115kV	On-Line
GEN-2011-048	175.00	SPS	Mustang 230kV	On-Line
GEN-2011-049	250.70	OKGE	Border 345kV	On Schedule for 2016
GEN-2011-050	109.80	AEPW	Santa Fe Tap 138kV	On Schedule for 2016
GEN-2011-051	104.40	OKGE	Tap Woodward - Tatonga 345kV (GEN-2011-051 Tap)	On Suspension
GEN-2011-054	300.00	OKGE	Cimarron 345kV	On Schedule for 2015
GEN-2011-056	3.60	NPPD	Jeffrey 115kV	On-Line
GEN-2011-056A	3.60	NPPD	John 1 115kV	On-Line
GEN-2011-056B	4.50	NPPD	John 2 115kV	On-Line
GEN-2011-057	150.40	WERE	Creswell 138kV	On Schedule for 2015
GEN-2012-001	61.20	SPS	Cirrus Tap 230kV	On-Line
GEN-2012-004	41.40	OKGE	Carter County 138kV	On-Line
GEN-2012-007	120.00	SUNCMKEC	Rubart 115kV	On-Line
GEN-2012-020	478.00	SPS	TUCO 230kV	On Schedule for 2016
GEN-2012-021	4.80	LES	Terry Bundy Generating Station 115kV	On-Line
GEN-2012-024	180.00	SUNCMKEC	Clark County 345kV	On Schedule for 2016
GEN-2012-027	136.00	AEPW	Shidler 138kV	On Suspension
GEN-2012-028	74.80	WFEC	Gotebo 69kV	On Schedule for 2015
GEN-2012-032	300.00	OKGE	Open Sky 345kV	On Schedule for 2015
GEN-2012-033	98.80	OKGE	Tap and Tie South 4th - Bunch Creek & Enid Tap - Fairmont (GEN-2012-033T) 138kV	On-Line
GEN-2012-034	7.00	SPS	Mustang 230kV	On-Line
GEN-2012-035	7.00	SPS	Mustang 230kV	On-Line

Request	Amount	Area	Requested/Proposed Point of Interconnection	Status or In-Service Date
GEN-2012-036	7.00	SPS	Mustang 230kV	On-Line
GEN-2012-037	203.00	SPS	TUCO 345kV	On-Line
GEN-2012-040	76.50	WFEC	Chilocco 138kV	On Suspension
GEN-2012-041	121.50	OKGE	Ranch Road 345kV	On-Line
GEN-2013-002	50.60	LES	Tap Sheldon - Folsom & Pleasant Hill (GEN-2013-002 Tap) 115kV CKT 2	On Schedule for 2016
GEN-2013-007	100.30	OKGE	Tap Prices Falls - Carter 138kV	On Schedule for 2015
GEN-2013-008	1.20	NPPD	Steele City 115kV	On-Line
GEN-2013-011	30.00	AEPW	Turk 138kV	On-Line
GEN-2013-012	147.00	OKGE	Redbud 345kV	On-Line
GEN-2013-014	25.50	NPPD	Tap Guide Rock - Pauline (Rosemont) 115kV	On Suspension
GEN-2013-016	203.00	SPS	TUCO 345kV	On Schedule for 2017
GEN-2013-019	73.60	LES	Tap Sheldon - Folsom & Pleasant Hill (GEN-2013-002 Tap) 115kV CKT 2	On Schedule for 2016
GEN-2013-022	25.00	SPS	Norton 115kV	On Schedule for 2016
GEN-2013-028	559.50	GRDA	Tap N Tulsa - GRDA 1 345kV	On Schedule for 2017
GEN-2013-029	300.00	OKGE	Renfrow 345kV	On Schedule for 2016 (150MW) and 2016 (150MW)
GEN-2013-030	300.00	OKGE	Beaver County 345kV	On Schedule for 2016 (200MW) and 2017 (100MW)
GEN-2013-032	204.00	NPPD	Antelope 115kV	On Schedule for 2017
GEN-2013-033	28.00	MIDW	Goodman Energy Center 115kV	On Schedule for 2016
GEN-2014-001	200.60	WERE	Tap Wichita - Emporia Energy Center 345kV	On Suspension
GEN-2014-002	10.50	OKGE	Tatonga 345kV (GEN-2007-021 POI)	On Schedule for 2015
GEN-2014-003	15.84	OKGE	Tatonga 345kV (GEN-2007-044 POI)	On Schedule for 2015
GEN-2014-004	4.00	NPPD	Steele City 115kV (GEN-2011-018 POI)	On Schedule for 2015
GEN-2014-005	5.70	OKGE	Minco 345kV (GEN-2011-010 POI)	On-Line
GEN-2014-012	225.00	SPS	Tap Hobbs Interchange - Andrews 230kV	On Schedule for 2018
GEN-2014-013	73.50	NPPD	Meadow Grove (GEN-2008-086N2 Sub) 230kV	On Schedule for 2015
Gray County Wind (Montezuma)	110.00	SUNCMKEC	Gray County Tap 115kV	On-Line
Llano Estacado (White Deer)	80.00	SPS	Llano Wind 115kV	On-Line
NPPD Distributed (Broken Bow)	8.30	NPPD	Broken Bow 115kV	On-Line
NPPD Distributed (Buffalo County Solar)	10.00	NPPD	Kearney Northeast	On-Line
NPPD Distributed (Burt County Wind)	12.00	NPPD	Tekamah & Oakland 115kV	On-Line
NPPD Distributed (Burwell)	3.00	NPPD	Ord 115kV	On-Line
NPPD Distributed (Columbus Hydro)	45.00	NPPD	Columbus 115kV	On-Line
NPPD Distributed (North Platte - Lexington)	54.00	NPPD	Multiple: Jeffrey 115kV, John_1 115kV, John_2 115kV	On-Line
NPPD Distributed (Ord)	11.90	NPPD	Ord 115kV	On-Line
NPPD Distributed (Stuart)	2.10	NPPD	Ainsworth 115kV	On-Line
SPS Distributed (Dumas 19th St)	20.00	SPS	Dumas 19th Street 115kV	On-Line
SPS Distributed (Etter)	20.00	SPS	Etter 115kV	On-Line
SPS Distributed (Hopi)	10.00	SPS	Hopi 115kV	On-Line
SPS Distributed (Jal)	10.00	SPS	S Jal 115kV	On-Line
SPS Distributed (Lea Road)	10.00	SPS	Lea Road 115kV	On-Line
SPS Distributed (Monument)	10.00	SPS	Monument 115kV	On-Line
SPS Distributed (Moore E)	25.00	SPS	Moore East 115kV	On-Line
SPS Distributed (Ocotillo)	10.00	SPS	S_Jal 115kV	On-Line
SPS Distributed (Sherman)	20.00	SPS	Sherman 115kV	On-Line
SPS Distributed (Spearman)	10.00	SPS	Spearman 69kV	On-Line
SPS Distributed (TC-Texas County)	20.00	SPS	Texas County 115kV	On-Line

Request	Amount	Area	Requested/Proposed Point of Interconnection	Status or In-Service Date
SPS Distributed (Yuma)	2.57	SPS	SP-Yuma 69kV	On-Line
Total:	23,481.9			

C: Study Groupings

See next page

C. Study Groups

GROUP 1: WOODWARD AREA			
Request	Capacity	Area	Proposed Point of Interconnection
GEN-2001-014	96.00	WFEC	Ft Supply 138kV
GEN-2001-037	100.00	OKGE	FPL Moreland Tap 138kV
GEN-2005-008	120.00	OKGE	Woodward 138kV
GEN-2006-024S	19.80	WFEC	Buffalo Bear Tap 69kV
GEN-2006-046	131.00	OKGE	Dewey 138kV
GEN-2007-021	201.00	OKGE	Tatonga 345kV
GEN-2007-043	200.00	OKGE	Minco 345kV
GEN-2007-044	300.00	OKGE	Tatonga 345kV
GEN-2007-050	170.00	OKGE	Woodward EHV 138kV
GEN-2007-062	765.00	OKGE	Woodward EHV 345kV
GEN-2008-003	101.00	OKGE	Woodward EHV 138kV
GEN-2008-044	197.80	OKGE	Tatonga 345kV
GEN-2010-011	29.70	OKGE	Tatonga 345kV
GEN-2010-040	300.00	OKGE	Cimarron 345kV
GEN-2011-010	100.80	OKGE	Minco 345kV
GEN-2011-019	299.00	OKGE	Woodward 345kV
GEN-2011-020	299.00	OKGE	Woodward 345kV
GEN-2011-051	104.40	OKGE	Tap Woodward - Tatonga 345kV (GEN-2011-051 Tap)
GEN-2011-054	300.00	OKGE	Cimarron 345kV
GEN-2014-002	10.50	OKGE	Tatonga 345kV (GEN-2007-021 POI)
GEN-2014-003	15.84	OKGE	Tatonga 345kV (GEN-2007-044 POI)
GEN-2014-005	5.70	OKGE	Minco 345kV (GEN-2011-010 POI)
PRIOR QUEUED SUBTOTAL	3,866.54		
GEN-2014-020	100.00	AEPW	Tuttle 138kV
GEN-2014-056	250.00	OKGE	Minco 345kV
CURRENT CLUSTER SUBTOTAL	350.00		
AREA TOTAL	4,216.54		

GROUP 2: HITCHLAND AREA

Request	Capacity	Area	Proposed Point of Interconnection
ASGI-2011-002	20.00	SPS	Herring 115kV
GEN-2002-008	240.00	SPS	Hitchland 345kV
GEN-2002-009	80.00	SPS	Hansford 115kV
GEN-2003-020	160.00	SPS	Martin 115kV
GEN-2006-020S	18.90	SPS	DWS Frisco 115kV
GEN-2006-044	370.00	SPS	Hitchland 345kV
GEN-2007-046	200.00	SPS	Hitchland 115kV
GEN-2008-047	300.00	OKGE	Beaver County 345kV
GEN-2010-001	300.00	OKGE	Beaver County 345kV
GEN-2010-014	358.80	SPS	Hitchland 345kV
GEN-2011-014	201.00	OKGE	Tap Hitchland - Woodward Dbl Ckt (GEN-2011-014 Tap) 345kV
GEN-2011-022	299.00	SPS	Hitchland 345kV
GEN-2013-030	300.00	OKGE	Beaver County 345kV
SPS Distributed (Dumas 19th St)	20.00	SPS	Dumas 19th Street 115kV
SPS Distributed (Etter)	20.00	SPS	Etter 115kV
SPS Distributed (Moore E)	25.00	SPS	Moore East 115kV
SPS Distributed (Sherman)	20.00	SPS	Sherman 115kV
SPS Distributed (Spearman)	10.00	SPS	Spearman 69kV
SPS Distributed (TC-Texas County)	20.00	SPS	Texas County 115kV
PRIOR QUEUED SUBTOTAL	2,962.70		
GEN-2014-026	150.00	OKGE	Beaver County 345kV
CURRENT CLUSTER SUBTOTAL	150.00		
AREA TOTAL	3,112.70		

GROUP 3: SPEARVILLE AREA

Request	Capacity	Area	Proposed Point of Interconnection
ASGI-2012-006	22.50	SUNCMKEC	Tap Hugoton - Rolla 69kV
GEN-2001-039A	105.00	SUNCMKEC	Shooting Star Tap 115kV
GEN-2002-025A	150.00	SUNCMKEC	Spearville 230kV
GEN-2004-014	154.50	SUNCMKEC	Spearville 230kV
GEN-2005-012	250.00	SUNCMKEC	Ironwood 345kV
GEN-2006-021	101.00	SUNCMKEC	Flat Ridge Tap 138kV
GEN-2007-040	200.00	SUNCMKEC	Buckner 345kV
GEN-2008-018	250.00	SPS	Finney 345kV
GEN-2008-079	99.20	SUNCMKEC	Crooked Creek 115kV
GEN-2008-124	200.10	SUNCMKEC	Ironwood 345kV
GEN-2010-009	165.60	SUNCMKEC	Buckner 345kV
GEN-2010-045	197.80	SUNCMKEC	Buckner 345kV
GEN-2011-008	600.00	SUNCMKEC	Clark County 345kV
GEN-2011-016	200.10	SUNCMKEC	Spearville 345kV
GEN-2012-007	120.00	SUNCMKEC	Rubart 115kV
GEN-2012-024	180.00	SUNCMKEC	Clark County 345kV
Gray County Wind (Montezuma)	110.00	SUNCMKEC	Gray County Tap 115kV
PRIOR QUEUED SUBTOTAL	3,105.80		
GEN-2013-010	99.00	SUNCMKEC	Tap Spearville - Post Rock (North of GEN-2011-017 Tap) 345kV
GEN-2014-049	200.00	SUNCMKEC	Thistle 345kV
CURRENT CLUSTER SUBTOTAL	299.00		
AREA TOTAL	3,404.80		

GROUP 4: NORTHWEST KANSAS AREA

Request	Capacity	Area	Proposed Point of Interconnection
ASGI-2013-004	36.60	SUNCMKEC	Morris 115kV
GEN-2001-039M	100.00	SUNCMKEC	Central Plains Tap 115kV
GEN-2003-006A	200.00	SUNCMKEC	Elm Creek 230kV
GEN-2003-019	250.00	MIDW	Smoky Hills Tap 230kV
GEN-2006-031	75.00	MIDW	Knoll 115kV
GEN-2008-092	201.00	MIDW	Post Rock 230kV
GEN-2009-008	199.50	MIDW	South Hays 230kV
GEN-2009-020	48.30	MIDW	Tap Nekoma - Bazine (Walnut Creek) 69kV
GEN-2010-057	201.00	MIDW	Rice County 230kV
GEN-2013-033	28.00	MIDW	Goodman Energy Center 115kV
PRIOR QUEUED SUBTOTAL	1,339.40		
GEN-2014-025	2.40	MIDW	Tap Nekoma - Bazine (Walnut Creek) 69kV
GEN-2014-041	123.17	SUNCMKEC	Arnold 115kV
CURRENT CLUSTER SUBTOTAL	125.57		
AREA TOTAL	1,464.97		

GROUP 5: AMARILLO AREA

Request	Capacity	Area	Proposed Point of Interconnection
ASGI-2013-001	11.50	SPS	PanTex South 115kV
GEN-2002-022	240.00	SPS	Bushland 230kV
GEN-2008-051	322.00	SPS	Potter County 345kV
Llano Estacado (White Deer)	80.00	SPS	Llano Wind 115kV
PRIOR QUEUED SUBTOTAL	653.50		
GEN-2014-040	320.00	SPS	Castro 115kV
CURRENT CLUSTER SUBTOTAL	320.00		
AREA TOTAL	973.50		

GROUP 6: SOUTH TEXAS PANHANDLE/NEW MEXICO AREA

Request	Capacity	Area	Proposed Point of Interconnection
ASGI-2010-010	42.20	SPS	Lovington 115kV
ASGI-2010-020	30.00	SPS	Tap LE-Tatum - LE-Crossroads 69kV
ASGI-2010-021	15.00	SPS	Tap LE-Saunders Tap - LE-Anderson 69kV
ASGI-2011-001	27.30	SPS	Lovington 115kV
ASGI-2011-003	10.00	SPS	Hendricks 115kV
ASGI-2011-004	20.00	SPS	Pleasant Hill 69kV
ASGI-2012-002	18.15	SPS	FE-Clovis Interchange 115kV
ASGI-2013-002	18.40	SPS	FE Tucumcari 115kV
ASGI-2013-003	18.40	SPS	FE Clovis 115kV
ASGI-2013-005	1.65	SPS	FE Clovis 115kV
ASGI-2013-006	2.00	SPS	SP-Erskine 115kV
ASGI-2014-001	2.50	SPS	SP-Erskine 115kV
GEN-2001-033	180.00	SPS	San Juan Tap 230kV
GEN-2001-036	80.00	SPS	Norton 115kV
GEN-2006-018	170.00	SPS	TUCO Interchange 230kV
GEN-2006-026	502.00	SPS	Hobbs 230kV & Hobbs 115kV
GEN-2008-022	300.00	SPS	Tap Tolk - Eddy County (Crossroads) 345kV
GEN-2010-006	205.00	SPS	Jones 230kV
GEN-2010-046	56.00	SPS	TUCO Interchange 230kV
GEN-2011-025	80.00	SPS	Tap Floyd County - Crosby County 115kV
GEN-2011-045	205.00	SPS	Jones 230kV
GEN-2011-046	27.00	SPS	Lopez 115kV
GEN-2011-048	175.00	SPS	Mustang 230kV
GEN-2012-001	61.20	SPS	Cirrus Tap 230kV
GEN-2012-020	478.00	SPS	TUCO 230kV
GEN-2012-034	7.00	SPS	Mustang 230kV
GEN-2012-035	7.00	SPS	Mustang 230kV
GEN-2012-036	7.00	SPS	Mustang 230kV
GEN-2012-037	203.00	SPS	TUCO 345kV
GEN-2013-016	203.00	SPS	TUCO 345kV
GEN-2013-022	25.00	SPS	Norton 115kV
GEN-2014-012	225.00	SPS	Tap Hobbs Interchange - Andrews 230kV
SPS Distributed (Hopi)	10.00	SPS	Hopi 115kV
SPS Distributed (Jal)	10.00	SPS	S_Jal 115kV
SPS Distributed (Lea Road)	10.00	SPS	Lea Road 115kV
SPS Distributed (Monument)	10.00	SPS	Monument 115kV
SPS Distributed (Ocotillo)	10.00	SPS	S_Jal 115kV
SPS Distributed (Yuma)	2.57	SPS	SP-Yuma 69kV
PRIOR QUEUED SUBTOTAL	3,454.37		
ASGI-2014-002	49.60	SPS	Tap Tucumcari - Santa Rosa 115kV
ASGI-2014-005	10.00	SPS	Strata 69kV
ASGI-2014-008	10.00	SPS	South Loving 69kV
ASGI-2014-009	10.00	SPS	Wood Draw 115kV
ASGI-2014-010	10.00	SPS	Ochoa 115kV
ASGI-2014-012	10.00	SPS	Cooper Ranch 115kV
GEN-2013-027	150.00	SPS	Tap Tolk - Yoakum 230kV
GEN-2014-033	70.00	SPS	Chaves County 115kV
GEN-2014-034	70.00	SPS	Chaves County 115kV
GEN-2014-035	30.00	SPS	Chaves County 115kV
GEN-2014-047	40.00	SPS	Tap Tolk - Eddy County (Crossroads) 345kV

GEN-2014-053	80.00	SPS	Carlisle 230kV
GEN-2014-054	120.00	SPS	Carlisle 230kV
CURRENT CLUSTER SUBTOTAL	659.60		
AREA TOTAL	4,113.97		

GROUP 7: SOUTHWEST OKLAHOMA AREA

Request	Capacity	Area	Proposed Point of Interconnection
GEN-2001-026	74.30	WFEC	Washita 138kV
GEN-2002-005	120.00	WFEC	Red Hills Tap 138kV
GEN-2003-004	100.00	WFEC	Washita 138kV
GEN-2003-005	100.00	WFEC	Anadarko - Paradise (Blue Canyon) 138kV
GEN-2003-022	120.00	AEPW	Washita 138kV
GEN-2004-020	27.00	AEPW	Washita 138kV
GEN-2004-023	20.60	WFEC	Washita 138kV
GEN-2005-003	30.60	WFEC	Washita 138kV
GEN-2006-002	101.00	AEPW	Sweetwater 230kV
GEN-2006-035	225.00	AEPW	Sweetwater 230kV
GEN-2006-043	99.00	AEPW	Sweetwater 230kV
GEN-2007-052	150.00	WFEC	Anadarko 138kV
GEN-2008-023	150.00	AEPW	Hobart Junction 138kV
GEN-2008-037	101.00	WFEC	Tap Washita - Blue Canyon Wind 138kV
GEN-2011-037	7.00	WFEC	Blue Canyon 5 138kV
GEN-2011-049	250.70	OKGE	Border 345kV
GEN-2012-028	74.80	WFEC	Gotebo 69kV
PRIOR QUEUED SUBTOTAL	1,751.00		
AREA TOTAL	1,751.00		

GROUP 8: NORTH OKLAHOMA/SOUTH CENTRAL KANSAS AREA

Request	Capacity	Area	Proposed Point of Interconnection
ASGI-2010-006	150.00	AECI	Tap Fairfax (AECI) - Schilder (AEPW) 138kV
GEN-2002-004	200.00	WERE	Latham 345kV
GEN-2005-013	201.00	WERE	Caney River 345kV
GEN-2007-025	300.00	WERE	Viola 345kV
GEN-2008-013	300.00	OKGE	Hunter 345kV
GEN-2008-021	42.00	WERE	Wolf Creek 345kV
GEN-2008-098	100.80	WERE	Waverly 345kV
GEN-2009-025	59.80	OKGE	Nardins 69kV
GEN-2010-003	100.80	WERE	Waverly 345kV
GEN-2010-005	299.20	WERE	Viola 345kV
GEN-2010-055	4.50	AEPW	Wekiwa 138kV
GEN-2011-057	150.40	WERE	Creswell 138kV
GEN-2012-027	136.00	AEPW	Shidler 138kV
GEN-2012-032	300.00	OKGE	Open Sky 345kV
GEN-2012-033	98.80	OKGE	Tap and Tie South 4th - Bunch Creek & Enid Tap - Fairmont (GEN-2012-033T) 138kV
GEN-2012-040	76.50	WFEC	Chilocco 138kV
GEN-2012-041	121.50	OKGE	Ranch Road 345kV
GEN-2013-012	147.00	OKGE	Redbud 345kV
GEN-2013-028	559.50	GRDA	Tap N Tulsa - GRDA 1 345kV
GEN-2013-029	300.00	OKGE	Renfrow 345kV
GEN-2014-001	200.60	WERE	Tap Wichita - Emporia Energy Center 345kV
PRIOR QUEUED SUBTOTAL	3,848.40		
ASGI-2014-014	56.40	GRDA	Ferguson 69kV
GEN-2014-028	35.00	EMDE	Riverton 161kV
GEN-2014-064	248.40	OKGE	Otter 138kV
CURRENT CLUSTER SUBTOTAL	339.80		
AREA TOTAL	4,188.20		

GROUP 9: NEBRASKA AREA

Request	Capacity	Area	Proposed Point of Interconnection
GEN-2002-023N	0.80	NPPD	Harmony 115kV
GEN-2003-021N	75.00	NPPD	Ainsworth Wind Tap 115kV
GEN-2004-023N	75.00	NPPD	Columbus Co 115kV
GEN-2006-020N	42.00	NPPD	Bloomfield 115kV
GEN-2006-037N1	75.00	NPPD	Broken Bow 115kV
GEN-2006-038N005	80.00	NPPD	Broken Bow 115kV
GEN-2006-038N019	80.00	NPPD	Petersburg North 115kV
GEN-2006-044N	40.50	NPPD	North Petersburg 115kV
GEN-2007-011N08	81.00	NPPD	Bloomfield 115kV
GEN-2008-086N02	201.00	NPPD	Meadow Grove 230kV
GEN-2008-119O	60.00	OPPD	S1399 161kV
GEN-2008-123N	89.70	NPPD	Tap Pauline - Hildreth (Rosemont) 115kV
GEN-2009-040	73.80	WERE	Marshall 115kV
GEN-2010-041	10.50	OPPD	S1399 161kV
GEN-2010-051	200.00	NPPD	Tap Twin Church - Hoskins 230kV
GEN-2011-018	73.60	NPPD	Steele City 115kV
GEN-2011-027	120.00	NPPD	Tap Hoskins - Twin Church 230kV
GEN-2011-056	3.60	NPPD	Jeffrey 115kV
GEN-2011-056A	3.60	NPPD	John 1 115kV
GEN-2011-056B	4.50	NPPD	John 2 115kV
GEN-2012-021	4.80	LES	Terry Bundy Generating Station 115kV
GEN-2013-002	50.60	LES	Tap Sheldon - Folsom & Pleasant Hill (GEN-2013-002 Tap) 115kV CKT 2
GEN-2013-008	1.20	NPPD	Steele City 115kV
GEN-2013-014	25.50	NPPD	Tap Guide Rock - Pauline (Rosemont) 115kV
GEN-2013-019	73.60	LES	Tap Sheldon - Folsom & Pleasant Hill (GEN-2013-002 Tap) 115kV CKT 2
GEN-2013-032	204.00	NPPD	Antelope 115kV
GEN-2014-004	4.00	NPPD	Steele City 115kV (GEN-2011-018 POI)
GEN-2014-013	73.50	NPPD	Meadow Grove (GEN-2008-086N2 Sub) 230kV
NPPD Distributed (Broken Bow)	8.30	NPPD	Broken Bow 115kV
NPPD Distributed (Buffalo County Solar)	10.00	NPPD	Kearney Northeast
NPPD Distributed (Burt County Wind)	12.00	NPPD	Tekamah & Oakland 115kV
NPPD Distributed (Burwell)	3.00	NPPD	Ord 115kV
NPPD Distributed (Columbus Hydro)	45.00	NPPD	Columbus 115kV
NPPD Distributed (North Platte - Lexington)	54.00	NPPD	Multiple: Jeffrey 115kV, John_1 115kV, John_2 115kV
NPPD Distributed (Ord)	11.90	NPPD	Ord 115kV
NPPD Distributed (Stuart)	2.10	NPPD	Ainsworth 115kV
PRIOR QUEUED SUBTOTAL	1,973.10		
GEN-2014-031	35.80	NPPD	Meadow Grove 230kV
GEN-2014-032	10.20	NPPD	Meadow Grove 230kV
GEN-2014-039	73.40	NPPD	Friend 115kV
CURRENT CLUSTER SUBTOTAL	119.40		
AREA TOTAL	2,092.50		

GROUP 10: SOUTHEAST OKLAHOMA/NORTHEAST TEXAS AREA

Request	Capacity	Area	Proposed Point of Interconnection
AREA TOTAL	0.00		

GROUP 12: NORTHWEST ARKANSAS AREA

Request	Capacity	Area	Proposed Point of Interconnection
GEN-2013-011	30.00	AEPW	Turk 138kV
PRIOR QUEUED SUBTOTAL	30.00		
AREA TOTAL	30.00		

GROUP 13: NORTHWEST MISSOURI AREA

Request	Capacity	Area	Proposed Point of Interconnection
GEN-2008-129	80.00	GMO	Pleasant Hill 161kV
GEN-2010-036	4.60	WERE	6th Street 115kV
GEN-2011-011	50.00	KCPL	Iatan 345kV
PRIOR QUEUED SUBTOTAL	134.60		
GEN-2014-021	300.00	GMO	Tap Nebraska City - Mullin Creek 345kV
CURRENT CLUSTER SUBTOTAL	300.00		
AREA TOTAL	434.60		

GROUP 14: SOUTH CENTRAL OKLAHOMA AREA

Request	Capacity	Area	Proposed Point of Interconnection
GEN-2011-040	111.00	OKGE	Carter County 138kV
GEN-2011-050	109.80	AEPW	Santa Fe Tap 138kV
GEN-2012-004	41.40	OKGE	Carter County 138kV
GEN-2013-007	100.30	OKGE	Tap Prices Falls - Carter 138kV
PRIOR QUEUED SUBTOTAL	362.50		
GEN-2014-057	250.00	AEPW	Tap Lawton - Sunnyside 345kV
CURRENT CLUSTER SUBTOTAL	250.00		
AREA TOTAL	612.50		

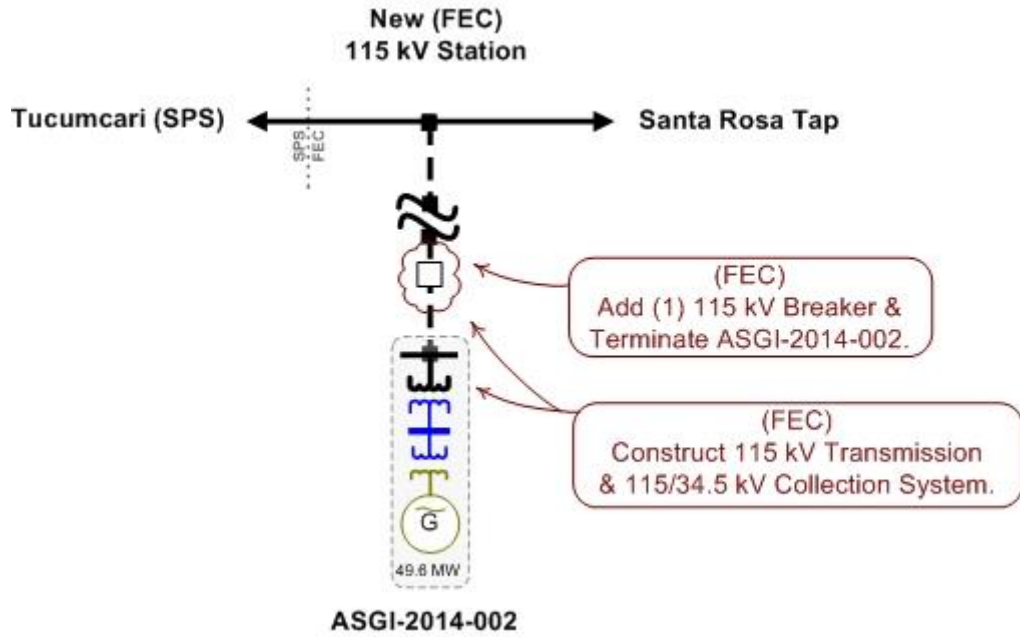
CLUSTER TOTAL (CURRENT STUDY)	2,913.4	MW
PQ TOTAL (PRIOR QUEUED)	23,481.9	MW
CLUSTER TOTAL (INCLUDING PRIOR QUEUED)	26,395.3	MW

D: Proposed Point of Interconnection One Line Diagrams

See next page

*Please note for Affected System Generation Interconnection Requests (ASGI) interconnection cost estimate could include distribution system or third party system network upgrades and costs estimates.

ASGI-2014-002
Estimated Interconnection Cost: \$6,403,000*



ASGI-2014-005
See Interconnection Facilities Study

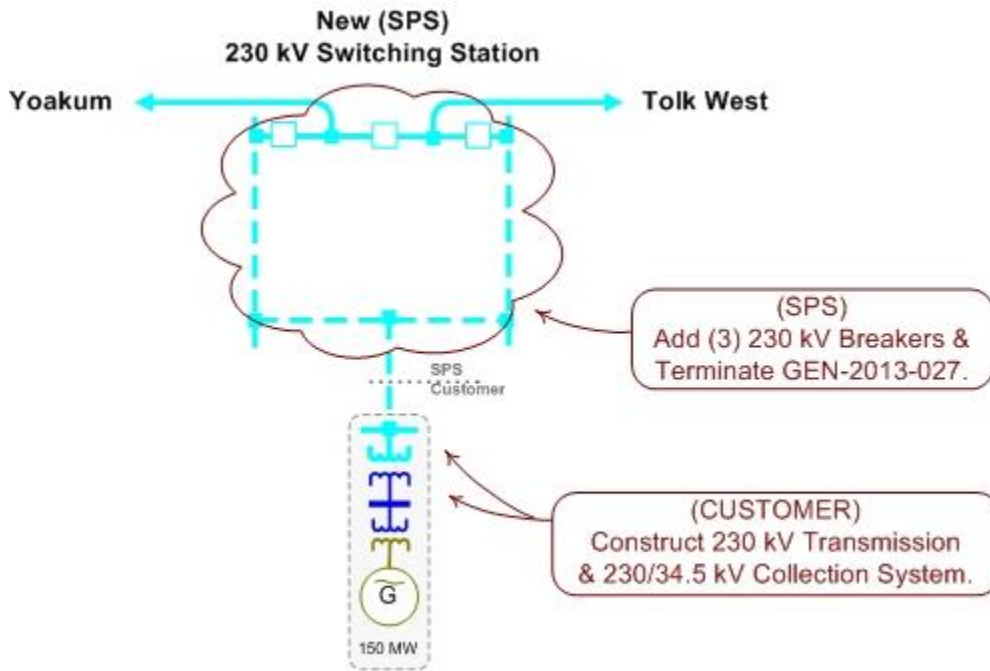
ASGI-2014-008
See Interconnection Facilities Study

ASGI-2014-009
See Interconnection Facilities Study

ASGI-2014-010
See Interconnection Facilities Study

ASGI-2014-012
See Interconnection Facilities Study

GEN-2013-027
Estimated Interconnection Cost: \$6,004,592



GEN-2013-027

GEN-2014-033
See Interconnection Facilities Study

GEN-2014-034
See Interconnection Facilities Study

GEN-2014-035
See Interconnection Facilities Study

GEN-2014-047
See Interconnection Facilities Study

GEN-2014-053
See Interconnection Facilities Study

GEN-2014-054
See Interconnection Facilities Study

E: Cost Allocation per Interconnection Request (Including Prior Queued Upgrades)

Important Note:

****WITHDRAWAL OF HIGHER QUEUED PROJECTS WILL CAUSE A RESTUDY
AND MAY RESULT IN HIGHER INTERCONNECTION COSTS****

This section shows each Generation Interconnection Request Customer, their current study impacted Network Upgrades, and the previously allocated upgrades upon which they rely to accommodate their interconnection to the transmission system.

The costs associated with the current study Network Upgrades are allocated to the Customers shown in this report.

In addition should a higher queued request, defined as one this study includes as a prior queued request, withdraw, the Network Upgrades assigned to the withdrawn request may be reallocated to the remaining requests that have an impact on the Network Upgrade under a restudy. Also, should an Interconnection Request choose to go into service prior to the operation date of any necessary Network Upgrades, the costs associated with those upgrades may be reallocated to the impacted Interconnection Request. The actual costs allocated to each Generation Interconnection Request Customer will be determined at the time of a restudy.

The required interconnection costs listed do not include all costs associated with the deliverability of the energy to final customers. These costs are determined by separate studies if the Customer submits a Transmission Service Request through SPP's Open Access Same Time Information System (OASIS) as required by Attachment Z1 of the SPP OATT. In addition, costs associated with a short circuit analysis will be allocated should the Interconnection Request Customer choose to execute a Facility Study Agreement.

There may be additional costs allocated to each Customer. See Appendix F for more details.

Appendix E. Cost Allocation Per Request

(Including Previously Allocated Network Upgrades*)

Interconnection Request and Upgrades	Upgrade Type	Allocated Cost	Upgrade Cost
ASGI-2014-002			
ASGI-2014-002 Interconnection Costs See One-Line Diagram.	Current Study	\$6,403,000	\$6,403,000
Norton - Pleasant Hill 230kV CKT 1 Build approximately 60 miles of new 230kV line. Modify Norton substation to add 230kV bus and autotransformer.	Current Study	\$49,592,501	\$49,592,501
Tolk - Plant X 230kV CKT 1 & 2 Rebuild circuit 1 and 2 between Tolk - Plant X 230kV to 1200 amps each.	Current Study	\$1,162,320	\$9,921,693
TUCO 2 (Crawfish Draw) Substation Upgrade 345/230kV Tap Border-TUCO approximately 2 miles from TUCO and build TUCO 2 (Crawfish Draw) 345kV substation and add 345/230/13.2kV transformer and tie on TUCO-Swisher 230kV.	Current Study	\$1,815,222	\$24,764,205
Agave Hill 115kV Reactive Power Support Build Agave Hill 28.8Mvar Capacitor bank per 2015 ITPNT.	Previously Allocated		\$1,619,280
China Draw 115kV Reactive Power Support Build China Draw SVC (+200Mvar/-50Mvar) per 2015 ITPNT.	Previously Allocated		\$20,064,549
Ochoa 115kV Reactive Power Support Build Ochoa 28.8Mvar Capacitor bank per 2015 ITPNT.	Previously Allocated		\$1,619,280
Potash Junction 230/115 kV Ckt 1 Per HPILs SPP-NTC-200282 (Total Project E&C Cost Shown)	Previously Allocated		\$3,508,346
Potash Junction 230kV Reactive Power Support Build Potash Junction 100Mvar Capacitor bank per 2015 ITPNT.	Previously Allocated		\$6,465,875
Road Runner 115kV Reactive Power Support Build Road Runner SVC (+200Mvar/-50Mvar) per 2015 ITPNT.	Previously Allocated		\$18,349,020
	Current Study Total	\$58,973,043	

ASGI-2014-005

ASGI-2014-005 Interconnection Costs See One-Line Diagram.	Current Study	\$16,000	\$16,000
Tolk - Plant X 230kV CKT 1 & 2 Rebuild circuit 1 and 2 between Tolk - Plant X 230kV to 1200 amps each.	Current Study	\$161,095	\$9,921,693
TUCO 2 (Crawfish Draw) Substation Upgrade 345/230kV Tap Border-TUCO approximately 2 miles from TUCO and build TUCO 2 (Crawfish Draw) 345kV substation and add 345/230/13.2kV transformer and tie on TUCO-Swisher 230kV.	Current Study	\$372,206	\$24,764,205

* Withdrawal of higher queued projects will cause a restudy and may result in higher costs

Interconnection Request and Upgrades	Upgrade Type	Allocated Cost	Upgrade Cost
Agave Hill 115kV Reactive Power Support Build Agave Hill 28.8Mvar Capacitor bank per 2015 ITPNT.	Previously Allocated		\$1,619,280
Amoco Wasson - Oxy Tap 230kV CKT 1 Replace line traps at both terminals	Previously Allocated		\$200,000
China Draw 115kV Reactive Power Support Build China Draw SVC (+200Mvar/-50Mvar) per 2015 ITPNT.	Previously Allocated		\$20,064,549
Kiowa - North Loving - China Draw 345/115kV Projects Per HPILs SPP-NTC-200283 (Total Project E&C Cost Shown)	Previously Allocated		\$62,619,690
Livingston Ridge - Sage Brush - Lagarto - Cardinal 115kV CKT 1 Per HPILs SPP-NTC-200283 (Total Project E&C Cost Shown)	Previously Allocated		\$37,316,546
Ochoa 115kV Reactive Power Support Build Ochoa 28.8Mvar Capacitor bank per 2015 ITPNT.	Previously Allocated		\$1,619,280
Potash Junction 230kV Reactive Power Support Build Potash Junction 100Mvar Capacitor bank per 2015 ITPNT.	Previously Allocated		\$6,465,875
Road Runner 115kV Reactive Power Support Build Road Runner SVC (+200Mvar/-50Mvar) per 2015 ITPNT.	Previously Allocated		\$18,349,020
	Current Study Total		\$549,301

ASGI-2014-008

ASGI-2014-008 Interconnection Costs See One-Line Diagram.	Current Study	\$16,000	\$16,000
Tolk - Plant X 230kV CKT 1 & 2 Rebuild circuit 1 and 2 between Tolk - Plant X 230kV to 1200 amps each.	Current Study	\$169,340	\$9,921,693
TUCO 2 (Crawfish Draw) Substation Upgrade 345/230kV Tap Border-TUCO approximately 2 miles from TUCO and build TUCO 2 (Crawfish Draw) 345kV substation and add 345/230/13.2kV transformer and tie on TUCO-Swisher 230kV.	Current Study	\$371,880	\$24,764,205
Agave Hill 115kV Reactive Power Support Build Agave Hill 28.8Mvar Capacitor bank per 2015 ITPNT.	Previously Allocated		\$1,619,280
Amoco Wasson - Oxy Tap 230kV CKT 1 Replace line traps at both terminals	Previously Allocated		\$200,000
China Draw 115kV Reactive Power Support Build China Draw SVC (+200Mvar/-50Mvar) per 2015 ITPNT.	Previously Allocated		\$20,064,549
Livingston Ridge - Sage Brush - Lagarto - Cardinal 115kV CKT 1 Per HPILs SPP-NTC-200283 (Total Project E&C Cost Shown)	Previously Allocated		\$37,316,546

* Withdrawal of higher queued projects will cause a restudy and may result in higher costs

Interconnection Request and Upgrades	Upgrade Type	Allocated Cost	Upgrade Cost
Ochoa 115kV Reactive Power Support Build Ochoa 28.8Mvar Capacitor bank per 2015 ITPNT.	Previously Allocated		\$1,619,280
Potash Junction 230kV Reactive Power Support Build Potash Junction 100Mvar Capacitor bank per 2015 ITPNT.	Previously Allocated		\$6,465,875
Road Runner 115kV Reactive Power Support Build Road Runner SVC (+200Mvar/-50Mvar) per 2015 ITPNT.	Previously Allocated		\$18,349,020
	Current Study Total		\$557,219

ASGI-2014-009

ASGI-2014-009 Interconnection Costs See One-Line Diagram.	Current Study	\$16,000	\$16,000
Tolk - Plant X 230kV CKT 1 & 2 Rebuild circuit 1 and 2 between Tolk - Plant X 230kV to 1200 amps each.	Current Study	\$152,578	\$9,921,693
TUCO 2 (Crawfish Draw) Substation Upgrade 345/230kV Tap Border-TUCO approximately 2 miles from TUCO and build TUCO 2 (Crawfish Draw) 345kV substation and add 345/230/13.2kV transformer and tie on TUCO-Swisher 230kV.	Current Study	\$372,533	\$24,764,205
Agave Hill 115kV Reactive Power Support Build Agave Hill 28.8Mvar Capacitor bank per 2015 ITPNT.	Previously Allocated		\$1,619,280
Amoco Wasson - Oxy Tap 230kV CKT 1 Replace line traps at both terminals	Previously Allocated		\$200,000
China Draw 115kV Reactive Power Support Build China Draw SVC (+200Mvar/-50Mvar) per 2015 ITPNT.	Previously Allocated		\$20,064,549
Ochoa 115kV Reactive Power Support Build Ochoa 28.8Mvar Capacitor bank per 2015 ITPNT.	Previously Allocated		\$1,619,280
Potash Junction 230kV Reactive Power Support Build Potash Junction 100Mvar Capacitor bank per 2015 ITPNT.	Previously Allocated		\$6,465,875
Road Runner 115kV Reactive Power Support Build Road Runner SVC (+200Mvar/-50Mvar) per 2015 ITPNT.	Previously Allocated		\$18,349,020
	Current Study Total		\$541,111

ASGI-2014-010

ASGI-2014-010 Interconnection Costs See One-Line Diagram.	Current Study	\$16,000	\$16,000
Tolk - Plant X 230kV CKT 1 & 2 Rebuild circuit 1 and 2 between Tolk - Plant X 230kV to 1200 amps each.	Current Study	\$150,295	\$9,921,693

* Withdrawal of higher queued projects will cause a restudy and may result in higher costs

Interconnection Request and Upgrades	Upgrade Type	Allocated Cost	Upgrade Cost
TUCO 2 (Crawfish Draw) Substation Upgrade 345/230kV Tap Border-TUCO approximately 2 miles from TUCO and build TUCO 2 (Crawfish Draw) 345kV substation and add 345/230/13.2kV transformer and tie on TUCO-Swisher 230kV.	Current Study	\$372,642	\$24,764,205
Agave Hill 115kV Reactive Power Support Build Agave Hill 28.8Mvar Capacitor bank per 2015 ITPNT.	Previously Allocated		\$1,619,280
Amoco Wasson - Oxy Tap 230kV CKT 1 Replace line traps at both terminals	Previously Allocated		\$200,000
China Draw 115kV Reactive Power Support Build China Draw SVC (+200Mvar/-50Mvar) per 2015 ITPNT.	Previously Allocated		\$20,064,549
Ochoa 115kV Reactive Power Support Build Ochoa 28.8Mvar Capacitor bank per 2015 ITPNT.	Previously Allocated		\$1,619,280
Potash Junction 230kV Reactive Power Support Build Potash Junction 100Mvar Capacitor bank per 2015 ITPNT.	Previously Allocated		\$6,465,875
Road Runner 115kV Reactive Power Support Build Road Runner SVC (+200Mvar/-50Mvar) per 2015 ITPNT.	Previously Allocated		\$18,349,020
	Current Study Total	\$538,937	

ASGI-2014-012

ASGI-2014-012 Interconnection Costs See One-Line Diagram.	Current Study	\$16,000	\$16,000
Tolk - Plant X 230kV CKT 1 & 2 Rebuild circuit 1 and 2 between Tolk - Plant X 230kV to 1200 amps each.	Current Study	\$143,672	\$9,921,693
TUCO 2 (Crawfish Draw) Substation Upgrade 345/230kV Tap Border-TUCO approximately 2 miles from TUCO and build TUCO 2 (Crawfish Draw) 345kV substation and add 345/230/13.2kV transformer and tie on TUCO-Swisher 230kV.	Current Study	\$372,887	\$24,764,205
Agave Hill 115kV Reactive Power Support Build Agave Hill 28.8Mvar Capacitor bank per 2015 ITPNT.	Previously Allocated		\$1,619,280
Amoco Wasson - Oxy Tap 230kV CKT 1 Replace line traps at both terminals	Previously Allocated		\$200,000
China Draw 115kV Reactive Power Support Build China Draw SVC (+200Mvar/-50Mvar) per 2015 ITPNT.	Previously Allocated		\$20,064,549
Ochoa 115kV Reactive Power Support Build Ochoa 28.8Mvar Capacitor bank per 2015 ITPNT.	Previously Allocated		\$1,619,280
Potash Junction 230kV Reactive Power Support Build Potash Junction 100Mvar Capacitor bank per 2015 ITPNT.	Previously Allocated		\$6,465,875

* Withdrawal of higher queued projects will cause a restudy and may result in higher costs

Interconnection Request and Upgrades	Upgrade Type	Allocated Cost	Upgrade Cost
Road Runner 115kV Reactive Power Support Build Road Runner SVC (+200Mvar/-50Mvar) per 2015 ITPNT.	Previously Allocated		\$18,349,020
	Current Study Total	\$532,559	
ASGI-2014-014			
ASGI-2014-014 Interconnection Costs See One-Line Diagram.	Current Study	\$134,164	\$134,164
	Current Study Total	\$134,164	
GEN-2013-010			
GEN-2013-010 Interconnection Costs See One-Line Diagram.	Current Study	\$11,021,522	\$11,021,522
Bucker - Spearville 345V CKT 1 Replace Terminal equipment	Previously Allocated		\$1,480,238
	Current Study Total	\$11,021,522	
GEN-2013-027			
GEN-2013-027 Interconnection Costs See One-Line Diagram.	Current Study	\$6,004,592	\$6,004,592
Tolk - Plant X 230kV CKT 1 & 2 Rebuild circuit 1 and 2 between Tolk - Plant X 230kV to 1200 amps each.	Current Study	\$3,620,985	\$9,921,693
TUCO 2 (Crawfish Draw) Substation Upgrade 345/230kV Tap Border-TUCO approximately 2 miles from TUCO and build TUCO 2 (Crawfish Draw) 345kV substation and add 345/230/13.2kV transformer and tie on TUCO-Swisher 230kV.	Current Study	\$5,558,187	\$24,764,205
Agave Hill 115kV Reactive Power Support Build Agave Hill 28.8Mvar Capacitor bank per 2015 ITPNT.	Previously Allocated		\$1,619,280
China Draw 115kV Reactive Power Support Build China Draw SVC (+200Mvar/-50Mvar) per 2015 ITPNT.	Previously Allocated		\$20,064,549
Ochoa 115kV Reactive Power Support Build Ochoa 28.8Mvar Capacitor bank per 2015 ITPNT.	Previously Allocated		\$1,619,280
Potash Junction 230/115 kV Ckt 1 Per HPILs SPP-NTC-200282 (Total Project E&C Cost Shown)	Previously Allocated		\$3,508,346
Road Runner 115kV Reactive Power Support Build Road Runner SVC (+200Mvar/-50Mvar) per 2015 ITPNT.	Previously Allocated		\$18,349,020
	Current Study Total	\$15,183,763	

* Withdrawal of higher queued projects will cause a restudy and may result in higher costs

Interconnection Request and Upgrades	Upgrade Type	Allocated Cost	Upgrade Cost
GEN-2014-020			
GEN-2014-020 Interconnection Costs See One-Line Diagram.	Current Study	\$7,664,803	\$7,664,803
	Current Study Total	\$7,664,803	
GEN-2014-021			
GEN-2014-021 Interconnection Costs See One-Line Diagram.	Current Study	\$18,384,455	\$18,384,455
Nashua 345/161/13.8KV Autotransformer CKT 1 Balanced Portfolio: Nashua/161/13.8 Autotransformer 345kV CKT 1 (Total Project E&C Cost Shown).	In-Service		\$4,230,000
Nebraska City - Sibley 345kV CKT 1 Priority Project: Nebraska City - Mullin Creek - Sibley 345kV circuit 1 per NTC (SPP-NTC-20097 and SPP-NTC-20098). (Total Project E&C Cost Shown).	Previously Allocated		\$407,764,364
	Current Study Total	\$18,384,455	
GEN-2014-025			
GEN-2014-025 Interconnection Costs See One-Line Diagram.	Current Study	\$184,473	\$184,473
Iatan - Nashua 345KV CKT 1 Balanced Portfolio: Iatan - Nashua 345kV CKT 1 (Total Project E&C Cost Shown).	In-Service		\$60,569,180
Nashua 345/161/13.8KV Autotransformer CKT 1 Balanced Portfolio: Nashua/161/13.8 Autotransformer 345kV CKT 1 (Total Project E&C Cost Shown).	In-Service		\$4,230,000
	Current Study Total	\$184,473	
GEN-2014-026			
Beaver County 345kV Reactive Power Support Install 75Mvar SVC at Beaver County Substation.	Current Study	\$21,823,556	\$21,823,556
GEN-2014-026 Interconnection Costs See One-Line Diagram.	Current Study	\$120,000	\$120,000
FPL Switch - Mooreland 138kV CKT 1 Rebuild approximately 0.2 miles of 138kV line	Previously Allocated		\$820,000
FPL Switch - Woodward 138kV CKT 1 Rebuild approximately 12 miles of 138kV line	Previously Allocated		\$8,499,000
	Current Study Total	\$21,943,556	

* Withdrawal of higher queued projects will cause a restudy and may result in higher costs

Interconnection Request and Upgrades	Upgrade Type	Allocated Cost	Upgrade Cost
GEN-2014-028			
GEN-2014-028 Interconnection Costs See One-Line Diagram.	Current Study	\$0	\$0
Current Study Total		\$0	
GEN-2014-031			
GEN-2014-031 Interconnection Costs See One-Line Diagram.	Current Study	\$100,000	\$100,000
Battle Creek-County Line 115kV CKT 1 Rebuild approximately 11 miles of 115kV from Battle Creek to County Line.	Previously Allocated		\$4,000,000
County Line-Neligh East 115kV CKT 1 Rebuild approximately 12 miles of 115kV from County Line to Neligh East.	Previously Allocated		\$8,050,000
Hoskins - Dixon County - Twin Church 230kV Rerate per NPPD Facility Study	Previously Allocated		\$500,000
Hoskins - Neligh 345/115kV Projects Per SPP 2014 ITP NT and NTC 200253 for 6/1/2016 in-service.	Previously Allocated		\$98,697,720
Twin Church - Dixon County 230kV Increase conductor clearances to accommodate 320MVA facility rating	Previously Allocated		\$100,000
Current Study Total		\$100,000	
GEN-2014-032			
GEN-2014-032 Interconnection Costs See One-Line Diagram.	Current Study	\$0	\$0
Battle Creek-County Line 115kV CKT 1 Rebuild approximately 11 miles of 115kV from Battle Creek to County Line.	Previously Allocated		\$4,000,000
County Line-Neligh East 115kV CKT 1 Rebuild approximately 12 miles of 115kV from County Line to Neligh East.	Previously Allocated		\$8,050,000
Hoskins - Dixon County - Twin Church 230kV Rerate per NPPD Facility Study	Previously Allocated		\$500,000
Hoskins - Neligh 345/115kV Projects Per SPP 2014 ITP NT and NTC 200253 for 6/1/2016 in-service.	Previously Allocated		\$98,697,720
Twin Church - Dixon County 230kV Increase conductor clearances to accommodate 320MVA facility rating	Previously Allocated		\$100,000
Current Study Total		\$0	

* Withdrawal of higher queued projects will cause a restudy and may result in higher costs

Interconnection Request and Upgrades	Upgrade Type	Allocated Cost	Upgrade Cost
GEN-2014-033			
GEN-2014-033 Interconnection Costs See One-Line Diagram.	Current Study	\$2,090,343	\$2,090,343
Tolk - Plant X 230kV CKT 1 & 2 Rebuild circuit 1 and 2 between Tolk - Plant X 230kV to 1200 amps each.	Current Study	\$1,404,003	\$9,921,693
TUCO 2 (Crawfish Draw) Substation Upgrade 345/230kV Tap Border-TUCO approximately 2 miles from TUCO and build TUCO 2 (Crawfish Draw) 345kV substation and add 345/230/13.2kV transformer and tie on TUCO-Swisher 230kV.	Current Study	\$2,589,247	\$24,764,205
Agave Hill 115kV Reactive Power Support Build Agave Hill 28.8Mvar Capacitor bank per 2015 ITPNT.	Previously Allocated		\$1,619,280
Amoco Wasson - Oxy Tap 230kV CKT 1 Replace line traps at both terminals	Previously Allocated		\$200,000
China Draw 115kV Reactive Power Support Build China Draw SVC (+200Mvar/-50Mvar) per 2015 ITPNT.	Previously Allocated		\$20,064,549
Ochoa 115kV Reactive Power Support Build Ochoa 28.8Mvar Capacitor bank per 2015 ITPNT.	Previously Allocated		\$1,619,280
Potash Junction 230kV Reactive Power Support Build Potash Junction 100Mvar Capacitor bank per 2015 ITPNT.	Previously Allocated		\$6,465,875
Road Runner 115kV Reactive Power Support Build Road Runner SVC (+200Mvar/-50Mvar) per 2015 ITPNT.	Previously Allocated		\$18,349,020
	Current Study Total	\$6,083,592	
GEN-2014-034			
GEN-2014-034 Interconnection Costs See One-Line Diagram.	Current Study	\$1,257,430	\$1,257,430
Tolk - Plant X 230kV CKT 1 & 2 Rebuild circuit 1 and 2 between Tolk - Plant X 230kV to 1200 amps each.	Current Study	\$1,404,003	\$9,921,693
TUCO 2 (Crawfish Draw) Substation Upgrade 345/230kV Tap Border-TUCO approximately 2 miles from TUCO and build TUCO 2 (Crawfish Draw) 345kV substation and add 345/230/13.2kV transformer and tie on TUCO-Swisher 230kV.	Current Study	\$2,589,247	\$24,764,205
Agave Hill 115kV Reactive Power Support Build Agave Hill 28.8Mvar Capacitor bank per 2015 ITPNT.	Previously Allocated		\$1,619,280
Amoco Wasson - Oxy Tap 230kV CKT 1 Replace line traps at both terminals	Previously Allocated		\$200,000
China Draw 115kV Reactive Power Support Build China Draw SVC (+200Mvar/-50Mvar) per 2015 ITPNT.	Previously Allocated		\$20,064,549
* Withdrawal of higher queued projects will cause a restudy and may result in higher costs			

Interconnection Request and Upgrades	Upgrade Type	Allocated Cost	Upgrade Cost
Ochoa 115kV Reactive Power Support Build Ochoa 28.8Mvar Capacitor bank per 2015 ITPNT.	Previously Allocated		\$1,619,280
Potash Junction 230kV Reactive Power Support Build Potash Junction 100Mvar Capacitor bank per 2015 ITPNT.	Previously Allocated		\$6,465,875
Road Runner 115kV Reactive Power Support Build Road Runner SVC (+200Mvar/-50Mvar) per 2015 ITPNT.	Previously Allocated		\$18,349,020
	Current Study Total	\$5,250,679	

GEN-2014-035

GEN-2014-035 Interconnection Costs See One-Line Diagram.	Current Study	\$0	\$0
Tolk - Plant X 230kV CKT 1 & 2 Rebuild circuit 1 and 2 between Tolk - Plant X 230kV to 1200 amps each.	Current Study	\$601,715	\$9,921,693
TUCO 2 (Crawfish Draw) Substation Upgrade 345/230kV Tap Border-TUCO approximately 2 miles from TUCO and build TUCO 2 (Crawfish Draw) 345kV substation and add 345/230/13.2kV transformer and tie on TUCO-Swisher 230kV.	Current Study	\$1,109,677	\$24,764,205
Agave Hill 115kV Reactive Power Support Build Agave Hill 28.8Mvar Capacitor bank per 2015 ITPNT.	Previously Allocated		\$1,619,280
Amoco Wasson - Oxy Tap 230kV CKT 1 Replace line traps at both terminals	Previously Allocated		\$200,000
China Draw 115kV Reactive Power Support Build China Draw SVC (+200Mvar/-50Mvar) per 2015 ITPNT.	Previously Allocated		\$20,064,549
Ochoa 115kV Reactive Power Support Build Ochoa 28.8Mvar Capacitor bank per 2015 ITPNT.	Previously Allocated		\$1,619,280
Potash Junction 230kV Reactive Power Support Build Potash Junction 100Mvar Capacitor bank per 2015 ITPNT.	Previously Allocated		\$6,465,875
Road Runner 115kV Reactive Power Support Build Road Runner SVC (+200Mvar/-50Mvar) per 2015 ITPNT.	Previously Allocated		\$18,349,020
	Current Study Total	\$1,711,393	

GEN-2014-039

GEN-2014-039 Interconnection Costs See One-Line Diagram.	Current Study	\$4,900,000	\$4,900,000
Battle Creek-County Line 115kV CKT 1 Rebuild approximately 11 miles of 115kV from Battle Creek to County Line.	Previously Allocated		\$4,000,000

* Withdrawal of higher queued projects will cause a restudy and may result in higher costs

Interconnection Request and Upgrades	Upgrade Type	Allocated Cost	Upgrade Cost
County Line-Neligh East 115kV CKT 1 Rebuild approximately 12 miles of 115kV from County Line to Neligh East.	Previously Allocated		\$8,050,000
Hoskins - Neligh 345/115kV Projects Per SPP 2014 ITP NT and NTC 200253 for 6/1/2016 in-service.	Previously Allocated		\$98,697,720
Twin Church - Dixon County 230kV Increase conductor clearances to accommodate 320MVA facility rating	Previously Allocated		\$100,000
	Current Study Total	\$4,900,000	

GEN-2014-040

GEN-2014-040 Interconnection Costs See One-Line Diagram.	Current Study	\$1,510,017	\$1,510,017
	Current Study Total	\$1,510,017	

GEN-2014-041

Arnold - Ransom 115kV CKT 1 Replace terminal equipment and relay panels at Ransom Substation	Current Study	\$268,321	\$268,321
GEN-2014-041 Interconnection Costs See One-Line Diagram.	Current Study	\$5,111,551	\$5,111,551
Iatan - Nashua 345KV CKT 1 Balanced Portfolio: Iatan - Nashua 345kV CKT 1 (Total Project E&C Cost Shown).	In-Service		\$60,569,180
Nashua 345/161/13.8KV Autotransformer CKT 1 Balanced Portfolio: Nashua/161/13.8 Autotransformer 345kV CKT 1 (Total Project E&C Cost Shown).	In-Service		\$4,230,000
Ellsworth - Mullergren 115kV CKT 1 Per SPP 2012 NT and SPP-NTC-200173 for 6/1/2015 in-service(Total Project E&C Cost Shown).	Not Active		\$19,459,597
Bucker - Spearville 345V CKT 1 Replace Terminal equipment	Previously Allocated		\$1,480,238
	Current Study Total	\$5,379,872	

GEN-2014-047

GEN-2014-047 Interconnection Costs See One-Line Diagram.	Current Study	\$3,164,380	\$3,164,380
Tolk - Plant X 230kV CKT 1 & 2 Rebuild circuit 1 and 2 between Tolk - Plant X 230kV to 1200 amps each.	Current Study	\$951,689	\$9,921,693
TUCO 2 (Crawfish Draw) Substation Upgrade 345/230kV Tap Border-TUCO approximately 2 miles from TUCO and build TUCO 2 (Crawfish Draw) 345kV substation and add 345/230/13.2kV transformer and tie on TUCO-Swisher 230kV.	Current Study	\$1,481,094	\$24,764,205

* Withdrawal of higher queued projects will cause a restudy and may result in higher costs

Interconnection Request and Upgrades	Upgrade Type	Allocated Cost	Upgrade Cost
China Draw 115kV Reactive Power Support Build China Draw SVC (+200Mvar/-50Mvar) per 2015 ITPNT.	Previously Allocated		\$20,064,549
Ochoa 115kV Reactive Power Support Build Ochoa 28.8Mvar Capacitor bank per 2015 ITPNT.	Previously Allocated		\$1,619,280
Potash Junction 230/115 kV Ckt 1 Per HPILs SPP-NTC-200282 (Total Project E&C Cost Shown)	Previously Allocated		\$3,508,346
Potash Junction 230kV Reactive Power Support Build Potash Junction 100Mvar Capacitor bank per 2015 ITPNT.	Previously Allocated		\$6,465,875
Road Runner 115kV Reactive Power Support Build Road Runner SVC (+200Mvar/-50Mvar) per 2015 ITPNT.	Previously Allocated		\$18,349,020
	Current Study Total	\$5,597,163	

GEN-2014-049

GEN-2014-049 Interconnection Costs See One-Line Diagram.	Current Study	\$3,936,574	\$3,936,574
Milan Tap - Clearwater 138kV CKT 1 Rebuild approximately 5.7 miles (MKEC) and 6.1 miles (WERE) of 138kV transmission.	Current Study	\$12,459,248	\$12,459,248
Bucker - Spearville 345V CKT 1 Replace Terminal equipment	Previously Allocated		\$1,480,238
FPL Switch - Woodward 138kV CKT 1 Rebuild approximately 12 miles of 138kV line	Previously Allocated		\$8,499,000
	Current Study Total	\$16,395,822	

GEN-2014-053

Carlisle 230/115/13kV Transformer CKT 1 Replace existing Carlisle 230/115/13kV Transformer circuit #1 with 250 MVA.	Current Study	\$1,677,165	\$4,192,913
GEN-2014-053 Interconnection Costs See One-Line Diagram.	Current Study	\$2,740,324	\$2,740,324
TUCO 2 (Crawfish Draw) Substation Upgrade 345/230kV Tap Border-TUCO approximately 2 miles from TUCO and build TUCO 2 (Crawfish Draw) 345kV substation and add 345/230/13.2kV transformer and tie on TUCO-Swisher 230kV.	Current Study	\$3,103,753	\$24,764,205
Agave Hill 115kV Reactive Power Support Build Agave Hill 28.8Mvar Capacitor bank per 2015 ITPNT.	Previously Allocated		\$1,619,280
China Draw 115kV Reactive Power Support Build China Draw SVC (+200Mvar/-50Mvar) per 2015 ITPNT.	Previously Allocated		\$20,064,549

* Withdrawal of higher queued projects will cause a restudy and may result in higher costs

Interconnection Request and Upgrades	Upgrade Type	Allocated Cost	Upgrade Cost
Hobbs Interchange - Kiowa 345kV CKT 1 Per HPILs SPP-NTC-200283 (Total Project E&C Cost Shown)	Previously Allocated		\$65,989,591
Kiowa - North Loving - China Draw 345/115kV Projects Per HPILs SPP-NTC-200283 (Total Project E&C Cost Shown)	Previously Allocated		\$62,619,690
Kiowa - Road Runner 345/230/115kV Projects Per HPILs SPP-NTC-200283 (Total Project E&C Cost Shown)	Previously Allocated		\$21,560,659
Ochoa 115kV Reactive Power Support Build Ochoa 28.8Mvar Capacitor bank per 2015 ITPNT.	Previously Allocated		\$1,619,280
Potash Junction 230kV Reactive Power Support Build Potash Junction 100Mvar Capacitor bank per 2015 ITPNT.	Previously Allocated		\$6,465,875
Road Runner 115kV Reactive Power Support Build Road Runner SVC (+200Mvar/-50Mvar) per 2015 ITPNT.	Previously Allocated		\$18,349,020
	Current Study Total	\$7,521,242	

GEN-2014-054

Carlisle 230/115/13kV Transformer CKT 1 Replace existing Carlisle 230/115/13kV Transformer circuit #1 with 250 MVA.	Current Study	\$2,515,748	\$4,192,913
GEN-2014-054 Interconnection Costs See One-Line Diagram.	Current Study	\$0	\$0
TUCO 2 (Crawfish Draw) Substation Upgrade 345/230kV Tap Border-TUCO approximately 2 miles from TUCO and build TUCO 2 (Crawfish Draw) 345kV substation and add 345/230/13.2kV transformer and tie on TUCO-Swisher 230kV.	Current Study	\$4,655,630	\$24,764,205
Agave Hill 115kV Reactive Power Support Build Agave Hill 28.8Mvar Capacitor bank per 2015 ITPNT.	Previously Allocated		\$1,619,280
China Draw 115kV Reactive Power Support Build China Draw SVC (+200Mvar/-50Mvar) per 2015 ITPNT.	Previously Allocated		\$20,064,549
Hobbs Interchange - Kiowa 345kV CKT 1 Per HPILs SPP-NTC-200283 (Total Project E&C Cost Shown)	Previously Allocated		\$65,989,591
Kiowa - North Loving - China Draw 345/115kV Projects Per HPILs SPP-NTC-200283 (Total Project E&C Cost Shown)	Previously Allocated		\$62,619,690
Kiowa - Road Runner 345/230/115kV Projects Per HPILs SPP-NTC-200283 (Total Project E&C Cost Shown)	Previously Allocated		\$21,560,659
Ochoa 115kV Reactive Power Support Build Ochoa 28.8Mvar Capacitor bank per 2015 ITPNT.	Previously Allocated		\$1,619,280

* Withdrawal of higher queued projects will cause a restudy and may result in higher costs

Interconnection Request and Upgrades	Upgrade Type	Allocated Cost	Upgrade Cost
Potash Junction 230kV Reactive Power Support Build Potash Junction 100Mvar Capacitor bank per 2015 ITPNT.	Previously Allocated		\$6,465,875
Road Runner 115kV Reactive Power Support Build Road Runner SVC (+200Mvar/-50Mvar) per 2015 ITPNT.	Previously Allocated		\$18,349,020
	Current Study Total	\$7,171,377	
GEN-2014-056			
GEN-2014-056 Interconnection Costs See One-Line Diagram.	Current Study	\$40,000	\$40,000
	Current Study Total	\$40,000	
GEN-2014-057			
GEN-2014-057 Interconnection Costs See One-Line Diagram.	Current Study	\$20,120,000	\$20,120,000
	Current Study Total	\$20,120,000	
GEN-2014-064			
GEN-2014-064 Interconnection Costs See One-Line Diagram.	Current Study	\$3,217,651	\$3,217,651
Fairfax 138/69kV CKT 1 Per AECI Affected System Study for DISIS-2012-002	Previously Allocated		\$2,200,000
Remington - Fairfax 138KV CKT 1 Increase conductor clearance	Previously Allocated		\$400,000
	Current Study Total	\$3,217,651	
TOTAL CURRENT STUDY COSTS:		\$221,207,716	

* Withdrawal of higher queued projects will cause a restudy and may result in higher costs

F: Cost Allocation per Proposed Study Network Upgrade

Important Note:

****WITHDRAWAL OF HIGHER QUEUED PROJECTS WILL CAUSE A RESTUDY
AND MAY RESULT IN HIGHER INTERCONNECTION COSTS****

This section shows each Direct Assigned Facility and Network Upgrade and the Generation Interconnection Request Customer(s) which have an impact in this study assuming all higher queued projects remain in the queue and achieve commercial operation.

The required interconnection costs listed do not include all costs associated with the deliverability of the energy to final customers. These costs are determined by separate studies if the Customer submits a Transmission Service Request through SPP's Open Access Same Time Information System (OASIS) as required by Attachment Z1 of the SPP OATT. In addition, costs associated with a short circuit analysis will be allocated should the Interconnection Request Customer choose to execute a Facility Study Agreement.

There may be additional costs allocated to each Customer. See Appendix E for more details.

Appendix F. Cost Allocation by Upgrade

Arnold - Ransom 115kV CKT 1		\$268,321
Replace terminal equipment and relay panels at Ransom Substation		
	GEN-2014-041	\$268,321
	Total Allocated Costs	\$268,321
ASGI-2014-002 Interconnection Costs		\$6,403,000
See One-Line Diagram.		
	ASGI-2014-002	\$6,403,000
	Total Allocated Costs	\$6,403,000
ASGI-2014-005 Interconnection Costs		\$16,000
See One-Line Diagram.		
	ASGI-2014-005	\$16,000
	Total Allocated Costs	\$16,000
ASGI-2014-008 Interconnection Costs		\$16,000
See One-Line Diagram.		
	ASGI-2014-008	\$16,000
	Total Allocated Costs	\$16,000
ASGI-2014-009 Interconnection Costs		\$16,000
See One-Line Diagram.		
	ASGI-2014-009	\$16,000
	Total Allocated Costs	\$16,000
ASGI-2014-010 Interconnection Costs		\$16,000
See One-Line Diagram.		
	ASGI-2014-010	\$16,000
	Total Allocated Costs	\$16,000
ASGI-2014-012 Interconnection Costs		\$16,000
See One-Line Diagram.		
	ASGI-2014-012	\$16,000
	Total Allocated Costs	\$16,000

* Withdrawal of higher queued projects will cause a restudy and may result in higher costs

ASGI-2014-014 Interconnection Costs		\$134,164
See One-Line Diagram.		
	ASGI-2014-014	\$134,164
	Total Allocated Costs	\$134,164
Beaver County 345kV Reactive Power Support		\$21,823,556
Install 75Mvar SVC at Beaver County Substation.		
	GEN-2014-026	\$21,823,556
	Total Allocated Costs	\$21,823,556
Carlisle 230/115/13kV Transformer CKT 1		\$4,192,913
Replace existing Carlisle 230/115/13kV Transformer circuit #1 with 250 MVA.		
	GEN-2014-053	\$1,677,165
	GEN-2014-054	\$2,515,748
	Total Allocated Costs	\$4,192,913
GEN-2013-010 Interconnection Costs		\$11,021,522
See One-Line Diagram.		
	GEN-2013-010	\$11,021,522
	Total Allocated Costs	\$11,021,522
GEN-2013-027 Interconnection Costs		\$6,004,592
See One-Line Diagram.		
	GEN-2013-027	\$6,004,592
	Total Allocated Costs	\$6,004,592
GEN-2014-020 Interconnection Costs		\$7,664,803
See One-Line Diagram.		
	GEN-2014-020	\$7,664,803
	Total Allocated Costs	\$7,664,803
GEN-2014-021 Interconnection Costs		\$18,384,455
See One-Line Diagram.		
	GEN-2014-021	\$18,384,455
	Total Allocated Costs	\$18,384,455
GEN-2014-025 Interconnection Costs		\$184,473
See One-Line Diagram.		
	GEN-2014-025	\$184,473
	Total Allocated Costs	\$184,473

* Withdrawal of higher queued projects will cause a restudy and may result in higher costs

GEN-2014-026 Interconnection Costs		\$120,000
See One-Line Diagram.		
	GEN-2014-026	\$120,000
	Total Allocated Costs	\$120,000
GEN-2014-028 Interconnection Costs		\$0
See One-Line Diagram.		
	GEN-2014-028	\$0
	Total Allocated Costs	\$0
GEN-2014-031 Interconnection Costs		\$100,000
See One-Line Diagram.		
	GEN-2014-031	\$100,000
	Total Allocated Costs	\$100,000
GEN-2014-032 Interconnection Costs		\$0
See One-Line Diagram.		
	GEN-2014-032	\$0
	Total Allocated Costs	\$0
GEN-2014-033 Interconnection Costs		\$2,090,343
See One-Line Diagram.		
	GEN-2014-033	\$2,090,343
	Total Allocated Costs	\$2,090,343
GEN-2014-034 Interconnection Costs		\$1,257,430
See One-Line Diagram.		
	GEN-2014-034	\$1,257,430
	Total Allocated Costs	\$1,257,430
GEN-2014-035 Interconnection Costs		\$0
See One-Line Diagram.		
	GEN-2014-035	\$0
	Total Allocated Costs	\$0
GEN-2014-039 Interconnection Costs		\$4,900,000
See One-Line Diagram.		
	GEN-2014-039	\$4,900,000
	Total Allocated Costs	\$4,900,000

* Withdrawal of higher queued projects will cause a restudy and may result in higher costs

GEN-2014-040 Interconnection Costs		\$1,510,017
See One-Line Diagram.		
	GEN-2014-040	\$1,510,017
	Total Allocated Costs	\$1,510,017
GEN-2014-041 Interconnection Costs		\$5,111,551
See One-Line Diagram.		
	GEN-2014-041	\$5,111,551
	Total Allocated Costs	\$5,111,551
GEN-2014-047 Interconnection Costs		\$3,164,380
See One-Line Diagram.		
	GEN-2014-047	\$3,164,380
	Total Allocated Costs	\$3,164,380
GEN-2014-049 Interconnection Costs		\$3,936,574
See One-Line Diagram.		
	GEN-2014-049	\$3,936,574
	Total Allocated Costs	\$3,936,574
GEN-2014-053 Interconnection Costs		\$2,740,324
See One-Line Diagram.		
	GEN-2014-053	\$2,740,324
	Total Allocated Costs	\$2,740,324
GEN-2014-054 Interconnection Costs		\$0
See One-Line Diagram.		
	GEN-2014-054	\$0
	Total Allocated Costs	\$0
GEN-2014-056 Interconnection Costs		\$40,000
See One-Line Diagram.		
	GEN-2014-056	\$40,000
	Total Allocated Costs	\$40,000
GEN-2014-057 Interconnection Costs		\$20,120,000
See One-Line Diagram.		
	GEN-2014-057	\$20,120,000
	Total Allocated Costs	\$20,120,000

* Withdrawal of higher queued projects will cause a restudy and may result in higher costs

GEN-2014-064 Interconnection Costs **\$3,217,651**

See One-Line Diagram.

GEN-2014-064 \$3,217,651

Total Allocated Costs **\$3,217,651**

Milan Tap - Clearwater 138kV CKT 1 **\$12,459,248**

Rebuild approximately 5.7 miles (MKEC) and 6.1 miles (WERE) of 138kV transmission.

GEN-2014-049 \$12,459,248

Total Allocated Costs **\$12,459,248**

Norton - Pleasant Hill 230kV CKT 1 **\$49,592,501**

Build approximately 60 miles of new 230kV line. Modify Norton substation to add 230kV bus and autotransformer.

ASGI-2014-002 \$49,592,501

Total Allocated Costs **\$49,592,501**

Tolk - Plant X 230kV CKT 1 & 2 **\$9,921,693**

Rebuild circuit 1 and 2 between Tolk - Plant X 230kV to 1200 amps each.

ASGI-2014-002 \$1,162,320

ASGI-2014-005 \$161,095

ASGI-2014-008 \$169,340

ASGI-2014-009 \$152,578

ASGI-2014-010 \$150,295

ASGI-2014-012 \$143,672

GEN-2013-027 \$3,620,985

GEN-2014-033 \$1,404,003

GEN-2014-034 \$1,404,003

GEN-2014-035 \$601,715

GEN-2014-047 \$951,689

Total Allocated Costs **\$9,921,693**

* Withdrawal of higher queued projects will cause a restudy and may result in higher costs

TUCO 2 (Crawfish Draw) Substation Upgrade 345/230kV**\$24,764,205**

Tap Border-TUCO approximately 2 miles from TUCO and build TUCO 2 (Crawfish Draw) 345kV substation and add 345/230/13.2kV transformer and tie on

ASGI-2014-002	\$1,815,222
ASGI-2014-005	\$372,206
ASGI-2014-008	\$371,880
ASGI-2014-009	\$372,533
ASGI-2014-010	\$372,642
ASGI-2014-012	\$372,887
GEN-2013-027	\$5,558,187
GEN-2014-033	\$2,589,247
GEN-2014-034	\$2,589,247
GEN-2014-035	\$1,109,677
GEN-2014-047	\$1,481,094
GEN-2014-053	\$3,103,753
GEN-2014-054	\$4,655,630

Total Allocated Costs	\$24,764,205
------------------------------	---------------------

* Withdrawal of higher queued projects will cause a restudy and may result in higher costs

G: Power Flow Analysis (Constraints Used For Mitigation)

See next page.

SOLUTION	GROUP	SCENARIO	SEASON	SOURCE	DIRECTION	MONITORED ELEMENT	RATEA	RATEB(TC%LOADING		CONTINGENCY
							(MVA)	MVA)	TDF	(% MVA)	
FDNS	06ALL	0	25SP	G14_054	FROM->TO	CARLISLE INTERCHANGE (WH XHS70711) 230/115/13.2KV TRANSFORMER CKT 1	168	168	0.24142	100.9887	CARLISLE INTERCHANGE - WOLFFORTH INTERCHANGE 230KV CKT 1
FDNS	06ALL	0	15G	G14_054	FROM->TO	TUCO INTERCHANGE (GE M1022338) 345/230/13.2KV TRANSFORMER CKT 1	560	560	0.49951	129.1948	TUCO INTERCHANGE (SIEM 8743066) 345/230/13.2KV TRANSFORMER CKT 2
FDNS	06ALL	0	15G	G14_054	FROM->TO	TUCO INTERCHANGE (GE M1022338) 345/230/13.2KV TRANSFORMER CKT 1	560	560	0.49951	126.3992	TUCO INTERCHANGE (SIEM 8743066) 345/230/13.2KV TRANSFORMER CKT 2
FDNS	06ALL	0	15WP	G14_054	FROM->TO	TUCO INTERCHANGE (GE M1022338) 345/230/13.2KV TRANSFORMER CKT 1	560	560	0.51337	109.8413	TUCO INTERCHANGE (SIEM 8743066) 345/230/13.2KV TRANSFORMER CKT 2
FDNS	06ALL	0	15WP	G14_054	FROM->TO	TUCO INTERCHANGE (GE M1022338) 345/230/13.2KV TRANSFORMER CKT 1	560	560	0.51337	108.4419	TUCO INTERCHANGE (SIEM 8743066) 345/230/13.2KV TRANSFORMER CKT 2
FDNS	06ALL	0	20WP	G14_054	FROM->TO	TUCO INTERCHANGE (GE M1022338) 345/230/13.2KV TRANSFORMER CKT 1	560	560	0.42831	106.7638	TUCO INTERCHANGE (SIEM 8743066) 345/230/13.2KV TRANSFORMER CKT 2
FDNS	06ALL	0	20WP	G14_054	FROM->TO	TUCO INTERCHANGE (GE M1022338) 345/230/13.2KV TRANSFORMER CKT 1	560	560	0.42831	104.8093	TUCO INTERCHANGE (SIEM 8743066) 345/230/13.2KV TRANSFORMER CKT 2
FDNS	06ALL	0	15G	G14_054	FROM->TO	TUCO INTERCHANGE (SIEM 8743066) 345/230/13.2KV TRANSFORMER CKT 2	560	644	0.49313	111.0108	TUCO INTERCHANGE (GE M1022338) 345/230/13.2KV TRANSFORMER CKT 1
FDNS	06ALL	0	15G	G14_054	FROM->TO	TUCO INTERCHANGE (SIEM 8743066) 345/230/13.2KV TRANSFORMER CKT 2	560	644	0.49313	108.3602	TUCO INTERCHANGE (GE M1022338) 345/230/13.2KV TRANSFORMER CKT 1
FDNS	06ALL	2	25SP	G14_054	FROM->TO	CARLISLE INTERCHANGE (WH XHS70711) 230/115/13.2KV TRANSFORMER CKT 1	168	168	0.24054	104.3798	CARLISLE INTERCHANGE - WOLFFORTH INTERCHANGE 230KV CKT 1
FDNS	06ALL	2	25SP	G14_054	FROM->TO	CARLISLE INTERCHANGE (WH XHS70711) 230/115/13.2KV TRANSFORMER CKT 1	168	168	0.24054	100.9353	CARLISLE INTERCHANGE - WOLFFORTH INTERCHANGE 230KV CKT 1

H: Power Flow Analysis (Other Constraints Not Requiring Mitigation)

See Next page

SOLUTION	GROUP	SCENARIO	SEASON	SOURCE	DIRECTION	MONITORED ELEMENT	RATEA (MVA)	RATEB(MVA)	TC%LOADING TDF	(% MVA)	CONTINGENCY
FDNS	06ALL	0	15G	ASGI_14_002	FROM->TO	CLEARWATER - GILL ENERGY CENTER WEST 138KV CKT 1	143	143	0.03332	100.5453	DBL-THIS-WIC
FDNS	06ALL	0	15G	ASGI_14_002	TO->FROM	CLEARWATER - MILAN TAP 138KV CKT 1	110	110	0.03332	140.1877	DBL-THIS-WIC
FDNS	06ALL	0	20WP	ASGI_14_002	TO->FROM	CLEARWATER - MILAN TAP 138KV CKT 1	110	110	0.0335	108.6601	DBL-THIS-WIC
FDNS	06ALL	0	15WP	ASGI_14_002	TO->FROM	CLEARWATER - MILAN TAP 138KV CKT 1	110	110	0.03356	106.268	DBL-THIS-WIC
FDNS	06ALL	0	15SP	ASGI_14_002	TO->FROM	CLEARWATER - MILAN TAP 138KV CKT 1	110	110	0.03355	100.0707	DBL-THIS-WIC
FDNS	06ALL	0	15SP	ASGI_14_002	FROM->TO	CURRY COUNTY INTERCHANGE - DEAF SMITH REC-#20 115KV CKT 1	96	96	0.15729	123.5747	DEAF SMITH COUNTY INTERCHANGE - PLANT X STATION 230KV CKT 1
FDNS	06ALL	0	20SP	ASGI_14_002	FROM->TO	CURRY COUNTY INTERCHANGE - DEAF SMITH REC-#20 115KV CKT 1	96	96	0.13544	106.7874	DEAF SMITH COUNTY INTERCHANGE - PLANT X STATION 230KV CKT 1
FDNS	06ALL	0	15SP	ASGI_14_002	FROM->TO	CURRY COUNTY INTERCHANGE - DEAF SMITH REC-#20 115KV CKT 1	96	96	0.1453	105.8568	LAWTON EASTSIDE - OKLAUNION 345KV CKT 1
FDNS	06ALL	0	15SP	ASGI_14_002	FROM->TO	CURRY COUNTY INTERCHANGE - DEAF SMITH REC-#20 115KV CKT 1	96	96	0.14572	97.6	SPP-SWPS-01
FDNS	06ALL	0	15SP	ASGI_14_002	FROM->TO	CURRY COUNTY INTERCHANGE - DEAF SMITH REC-#20 115KV CKT 1	96	96	0.1453	97.3	SPSCONT-01
FDNS	06ALL	0	15SP	ASGI_14_002	FROM->TO	CURRY COUNTY INTERCHANGE - DEAF SMITH REC-#20 115KV CKT 1	96	96	0.1453	97.2	OKLAUNION - TUCO INTERCHANGE 345KV CKT 1
FDNS	06ALL	0	15SP	ASGI_14_002	FROM->TO	CURRY COUNTY INTERCHANGE - DEAF SMITH REC-#20 115KV CKT 1	96	96	0.14732	96.1	NEWHART 230 - PLANT X STATION 230KV CKT 1
FDNS	06ALL	0	25SP	ASGI_14_002	FROM->TO	CURRY COUNTY INTERCHANGE - DEAF SMITH REC-#20 115KV CKT 1	96	96	0.13586	95.6	DEAF SMITH COUNTY INTERCHANGE - PLANT X STATION 230KV CKT 1
FDNS	06ALL	0	15SP	ASGI_14_002	TO->FROM	DEAF SMITH COUNTY INTERCHANGE - PLANT X STATION 230KV CKT 1	319	351	0.15196	109.7585	LAWTON EASTSIDE - OKLAUNION 345KV CKT 1
FDNS	06ALL	0	15SP	ASGI_14_002	TO->FROM	DEAF SMITH COUNTY INTERCHANGE - PLANT X STATION 230KV CKT 1	319	351	0.17118	97.5	NEWHART 230 - PLANT X STATION 230KV CKT 1
FDNS	06ALL	0	15SP	ASGI_14_002	TO->FROM	DEAF SMITH COUNTY INTERCHANGE - PLANT X STATION 230KV CKT 1	319	351	0.1544	96.9	SPP-SWPS-01
FDNS	06ALL	0	15SP	ASGI_14_002	TO->FROM	DEAF SMITH COUNTY INTERCHANGE - PLANT X STATION 230KV CKT 1	319	351	0.15196	96.3	SPSCONT-01
FDNS	06ALL	0	15SP	ASGI_14_002	TO->FROM	DEAF SMITH COUNTY INTERCHANGE - PLANT X STATION 230KV CKT 1	319	351	0.15196	96.1	OKLAUNION - TUCO INTERCHANGE 345KV CKT 1
FDNS	06ALL	0	15SP	ASGI_14_002	FROM->TO	DEAF SMITH REC-#20 - PARMER COUNTY SUB 115KV CKT 1	96	96	0.15729	110.3575	DEAF SMITH COUNTY INTERCHANGE - PLANT X STATION 230KV CKT 1
FDNS	06ALL	0	15SP	ASGI_14_002	TO->FROM	DEAF SMITH REC-#24 - PARMER COUNTY SUB 115KV CKT 1	96	96	0.15729	102.2169	DEAF SMITH COUNTY INTERCHANGE - PLANT X STATION 230KV CKT 1
FDNS	06ALL	0	20WP	ASGI_14_002	FROM->TO	EDDY_NORTH 6230.00 (WAUK WT01134) 230/115/13.2KV TRANSFORMER CKT 2	250	288	0.06447	103.8218	EDDY COUNTY INTERCHANGE - EDDY_NORTH 6230.00 230KV CKT @1
FDNS	06ALL	0	20WP	ASGI_14_002	FROM->TO	EDDY_NORTH 6230.00 (WAUK WT01134) 230/115/13.2KV TRANSFORMER CKT 2	250	288	0.06447	103.4874	EDDY COUNTY INTERCHANGE - EDDY_NORTH 6230.00 230KV CKT @1
FDNS	06ALL	0	25SP	ASGI_14_002	FROM->TO	EDDY_NORTH 6230.00 (WAUK WT01134) 230/115/13.2KV TRANSFORMER CKT 2	250	288	0.06537	101.6045	EDDY COUNTY INTERCHANGE - EDDY_NORTH 6230.00 230KV CKT @1
FDNS	06ALL	0	25SP	ASGI_14_002	FROM->TO	EDDY_NORTH 6230.00 (WAUK WT01134) 230/115/13.2KV TRANSFORMER CKT 2	250	288	0.06537	100.0691	EDDY COUNTY INTERCHANGE - EDDY_NORTH 6230.00 230KV CKT @1
FDNS	06ALL	0	15WP	ASGI_14_002	FROM->TO	EDDY_NORTH 6230.00 (WAUK WT01134) 230/115/13.2KV TRANSFORMER CKT 2	250	288	0.04308	97.1	EDDY COUNTY INTERCHANGE - EDDY_NORTH 6230.00 230KV CKT @1
FDNS	06ALL	0	15WP	ASGI_14_002	FROM->TO	EDDY_NORTH 6230.00 (WAUK WT01134) 230/115/13.2KV TRANSFORMER CKT 2	250	288	0.04308	97.1	EDDY COUNTY INTERCHANGE - EDDY_NORTH 6230.00 230KV CKT @1
FDNS	06ALL	0	15G	ASGI_14_002	FROM->TO	ELK CITY 230KV (ELKCTY-6) 230/138/13.8KV TRANSFORMER CKT 1	287	316	0.11558	107.0627	LAWTON EASTSIDE - OKLAUNION 345KV CKT 1
FDNS	06ALL	0	15G	ASGI_14_002	FROM->TO	ELK CITY 230KV (ELKCTY-6) 230/138/13.8KV TRANSFORMER CKT 1	287	316	0.11558	105.2129	LAWTON EASTSIDE - OKLAUNION 345KV CKT 1
FDNS	06ALL	0	15SP	ASGI_14_002	FROM->TO	ELK CITY 230KV (ELKCTY-6) 230/138/13.8KV TRANSFORMER CKT 1	272	316	0.12378	100.158	LAWTON EASTSIDE - OKLAUNION 345KV CKT 1
FDNS	06ALL	0	15WP	ASGI_14_002	FROM->TO	ELK CITY 230KV (ELKCTY-6) 230/138/13.8KV TRANSFORMER CKT 1	287	316	0.12723	100.0101	LAWTON EASTSIDE - OKLAUNION 345KV CKT 1
FDNS	06ALL	0	15SP	ASGI_14_002	FROM->TO	ELK CITY 230KV (ELKCTY-6) 230/138/13.8KV TRANSFORMER CKT 1	272	316	0.12378	98.72061	LAWTON EASTSIDE - OKLAUNION 345KV CKT 1
FDNS	06ALL	0	15WP	ASGI_14_002	FROM->TO	ELK CITY 230KV (ELKCTY-6) 230/138/13.8KV TRANSFORMER CKT 1	287	316	0.12723	98.59541	LAWTON EASTSIDE - OKLAUNION 345KV CKT 1
FDNS	06ALL	0	15G	ASGI_14_002	FROM->TO	ELK CITY 230KV (ELKCTY-6) 230/138/13.8KV TRANSFORMER CKT 1	287	316	0.10537	98.1	DBL-G1114-WW
FDNS	06ALL	0	15G	ASGI_14_002	FROM->TO	ELK CITY 230KV (ELKCTY-6) 230/138/13.8KV TRANSFORMER CKT 1	287	316	0.11558	97.8	SPSCONT-01
FDNS	06ALL	0	15G	ASGI_14_002	FROM->TO	ELK CITY 230KV (ELKCTY-6) 230/138/13.8KV TRANSFORMER CKT 1	287	316	0.11723	97.7	SPP-SWPS-01
FDNS	06ALL	0	15G	ASGI_14_002	FROM->TO	ELK CITY 230KV (ELKCTY-6) 230/138/13.8KV TRANSFORMER CKT 1	287	316	0.10537	96.9	DBL-BVR-G111
FDNS	06ALL	0	15G	ASGI_14_002	FROM->TO	ELK CITY 230KV (ELKCTY-6) 230/138/13.8KV TRANSFORMER CKT 1	287	316	0.10537	96.8	DBL-G1114-WW
FDNS	06ALL	0	15G	ASGI_14_002	FROM->TO	ELK CITY 230KV (ELKCTY-6) 230/138/13.8KV TRANSFORMER CKT 1	287	316	0.11558	96.7	SPSCONT-01
FDNS	06ALL	0	15G	ASGI_14_002	FROM->TO	ELK CITY 230KV (ELKCTY-6) 230/138/13.8KV TRANSFORMER CKT 1	287	316	0.11723	96.6	SPP-SWPS-01
FDNS	06ALL	0	15G	ASGI_14_002	FROM->TO	ELK CITY 230KV (ELKCTY-6) 230/138/13.8KV TRANSFORMER CKT 1	287	316	0.11558	96.5	OKLAUNION - TUCO INTERCHANGE 345KV CKT 1
FDNS	06ALL	0	15G	ASGI_14_002	FROM->TO	ELK CITY 230KV (ELKCTY-6) 230/138/13.8KV TRANSFORMER CKT 1	287	316	0.10537	95.7	DBL-BVR-G111
FDNS	06ALL	0	15G	ASGI_14_002	FROM->TO	ELK CITY 230KV (ELKCTY-6) 230/138/13.8KV TRANSFORMER CKT 1	287	316	0.11558	95.3	OKLAUNION - TUCO INTERCHANGE 345KV CKT 1
FDNS	06ALL	0	15SP	ASGI_14_002	TO->FROM	FLATRDG3 - THISTLE4 138.00 138KV CKT 1	286	286	0.04817	98.2	DBL-THIS-WIC
FDNS	06ALL	0	15G	ASGI_14_002	TO->FROM	FPL SWITCH - WOODWARD 138KV CKT 1	133	153	0.04571	161.177	NORTHWEST - TATONGA7 345.00 345KV CKT 1
FDNS	06ALL	0	15G	ASGI_14_002	TO->FROM	FPL SWITCH - WOODWARD 138KV CKT 1	133	153	0.05351	159.4244	DBL-THIS-WWR
FDNS	06ALL	0	15G	ASGI_14_002	TO->FROM	FPL SWITCH - WOODWARD 138KV CKT 1	133	153	0.04571	157.7992	SPSCONT-05B
FDNS	06ALL	0	15G	ASGI_14_002	TO->FROM	FPL SWITCH - WOODWARD 138KV CKT 1	133	153	0.04571	157.271	SPSCONT-04
FDNS	06ALL	0	15G	ASGI_14_002	TO->FROM	FPL SWITCH - WOODWARD 138KV CKT 1	133	153	0.04309	154.1519	DBL-THIS-WIC
FDNS	06ALL	0	15G	ASGI_14_002	TO->FROM	FPL SWITCH - WOODWARD 138KV CKT 1	133	153	0.04614	152.6111	LAWTON EASTSIDE - OKLAUNION 345KV CKT 1
FDNSLock	06ALL	0	15G	ASGI_14_002	TO->FROM	FPL SWITCH - WOODWARD 138KV CKT 1	133	153	0.04571	147.3779	G11_051T 345.00 - TATONGA7 345.00 345KV CKT 1
FDNS	06ALL	0	15G	ASGI_14_002	TO->FROM	FPL SWITCH - WOODWARD 138KV CKT 1	133	153	0.04571	146.4061	G11_051T 345.00 - WOODWARD DISTRICT EHV 345KV CKT 1
FDNS	06ALL	0	15G	ASGI_14_002	TO->FROM	FPL SWITCH - WOODWARD 138KV CKT 1	133	153	0.03183	143.416	WOODWARD (WOODWRD2) 138/69/13.2KV TRANSFORMER CKT 1
FDNS	06ALL	0	15G	ASGI_14_002	TO->FROM	FPL SWITCH - WOODWARD 138KV CKT 1	133	153	0.04571	143.1258	SPSCONT-05AX
FDNS	06ALL	0	15G	ASGI_14_002	TO->FROM	FPL SWITCH - WOODWARD 138KV CKT 1	133	153	0.04237	142.5155	ELK CITY 230KV - SWEETWATER 230KV CKT 1
FDNS	06ALL	0	15G	ASGI_14_002	TO->FROM	FPL SWITCH - WOODWARD 138KV CKT 1	133	153	0.04237	142.4842	ELK CITY 230KV (ELKCTY-6) 230/138/13.8KV TRANSFORMER CKT 1
FDNS	06ALL	0	15G	ASGI_14_002	TO->FROM	FPL SWITCH - WOODWARD 138KV CKT 1	133	153	0.04614	141.4059	SPSCONT-01
FDNS	06ALL	0	15G	ASGI_14_002	TO->FROM	FPL SWITCH - WOODWARD 138KV CKT 1	133	153	0.0426	140.0428	SPP-SWPS-03
FDNS	06ALL	0	15G	ASGI_14_002	TO->FROM	FPL SWITCH - WOODWARD 138KV CKT 1	133	153	0.04614	139.1883	OKLAUNION - TUCO INTERCHANGE 345KV CKT 1
FDNS	06ALL	0	15G	ASGI_14_002	TO->FROM	FPL SWITCH - WOODWARD 138KV CKT 1	133	153	0.04237	138.8333	SPP-SWPS-02A
FDNS	06ALL	0	15G	ASGI_14_002	TO->FROM	FPL SWITCH - WOODWARD 138KV CKT 1	133	153	0.04237	138.6923	GRAPEVINE INTERCHANGE - STATELINE INTERCHANGE 230KV CKT 1
FDNS	06ALL	0	15G	ASGI_14_002	TO->FROM	FPL SWITCH - WOODWARD 138KV CKT 1	133	153	0.04558	138.6877	SPP-SWPS-01
FDNS	06ALL	0	15G	ASGI_14_002	TO->FROM	FPL SWITCH - WOODWARD 138KV CKT 1	133	153	0.03389	137.3732	IODINE - WOODWARD EHV 138KV CKT 1
FDNS	06ALL	0	15G	ASGI_14_002	TO->FROM	FPL SWITCH - WOODWARD 138KV CKT 1	133	153	0.03389	135.335	DEWEY - IODINE 138KV CKT 1
FDNS	06ALL	0	15G	ASGI_14_002	TO->FROM	FPL SWITCH - WOODWARD 138KV CKT 1	133	153	0.04237	133.3058	STATELINE INTERCHANGE - STLN-DEMARC6 230KV CKT 1
FDNS	06ALL	0	15G	ASGI_14_002	TO->FROM	FPL SWITCH - WOODWARD 138KV CKT 1	133	153	0.04237	133.0811	SPP-SWPS-02
FDNS	06ALL	0	15G	ASGI_14_002	TO->FROM	FPL SWITCH - WOODWARD 138KV CKT 1	133	153	0.04237	133.0154	STLN-DEMARC6 - SWEETWATER 230KV CKT 1
FDNS	06ALL	0	15G	ASGI_14_002	TO->FROM	FPL SWITCH - WOODWARD 138KV CKT 1	133	153	0.0347	130.54	GRAPEVINE INTERCHANGE - NICHOLS STATION 230KV CKT 1
FDNS	06ALL	0	15G	ASGI_14_002	TO->FROM	FPL SWITCH - WOODWARD 138KV CKT 1	133	153	0.03183	130.0405	WOODWARD - WOODWARD 69KV CKT 1
FDNS	06ALL	0	15G	ASGI_14_002	TO->FROM	FPL SWITCH - WOODWARD 138KV CKT 1	133	153	0.03458	126.126	THISTLE7 345.00 - WOODWARD DISTRICT EHV 345KV CKT 1
FDNS	06ALL	0	15G	ASGI_14_002	TO->FROM	FPL SWITCH - WOODWARD 138KV CKT 1	133	153	0.03458	126.126	THISTLE7 345.00 - WOODWARD DISTRICT EHV 345KV CKT 2
FDNS	06ALL	0	15G	ASGI_14_002	TO->FROM	FPL SWITCH - WOODWARD 138KV CKT 1	133	153	0.03428	124.5649	FINNEY SWITCHING STATION - HOLCOMB 345KV CKT 1
FDNS	06ALL	0	15G	ASGI_14_002	TO->FROM	FPL SWITCH - WOODWARD 138KV CKT 1	133	153	0.03171	124.1871	THISTLE7 345.00 - WICHITA 345KV CKT 1

SOLUTION	GROUP	SCENARIO	SEASON	SOURCE	DIRECTION	MONITORED ELEMENT	RATEA (MVA)	RATEB(MVA)	TC%LOADING TDF (% MVA)	CONTINGENCY	
FDNS	06ALL	0	15G	ASGI_14_002	TO->FROM	FPL SWITCH - WOODWARD 138KV CKT 1	133	153	0.03171	124.1871	THISTLE7 345.00 - WICHITA 345KV CKT 2
FDNS	06ALL	0	15G	ASGI_14_002	TO->FROM	FPL SWITCH - WOODWARD 138KV CKT 1	133	153	0.03428	123.3196	SPP-SWPS-05
FDNS	06ALL	0	15G	ASGI_14_002	TO->FROM	FPL SWITCH - WOODWARD 138KV CKT 1	133	153	0.03428	123.2614	FINNEY SWITCHING STATION - Hitchland Interchange 345KV CKT 1
FDNS	06ALL	0	15G	ASGI_14_002	TO->FROM	FPL SWITCH - WOODWARD 138KV CKT 1	133	153	0.03168	120.7972	ELLIS 4 138.00 - RED HILLS WIND 138KV CKT 1
FDNS	06ALL	0	15G	ASGI_14_002	TO->FROM	FPL SWITCH - WOODWARD 138KV CKT 1	133	153	0.03168	118.2357	ELLIS 4 138.00 - MOREWOOD SW 138KV CKT 1
FDNS	06ALL	0	15SP	ASGI_14_002	TO->FROM	FPL SWITCH - WOODWARD 138KV CKT 1	133	153	0.05669	111.3808	DBL-THIS-WWR
FDNSLock	06ALL	0	15G	ASGI_14_002	TO->FROM	FPL SWITCH - WOODWARD 138KV CKT 1	133	153	0.03168	105.8896	ELK CITY - RED HILLS WIND 138KV CKT 1
FDNS	06ALL	0	15SP	ASGI_14_002	TO->FROM	FPL SWITCH - WOODWARD 138KV CKT 1	133	153	0.04859	105.3952	NORTHWEST - TATONGA7 345.00 345KV CKT 1
FDNS	06ALL	0	15SP	ASGI_14_002	TO->FROM	FPL SWITCH - WOODWARD 138KV CKT 1	133	153	0.04908	104.8311	LAWTON EASTSIDE - OKLAUNION 345KV CKT 1
FDNS	06ALL	0	15SP	ASGI_14_002	TO->FROM	FPL SWITCH - WOODWARD 138KV CKT 1	133	153	0.04859	102.6277	SPSCONT-05B
FDNS	06ALL	0	15SP	ASGI_14_002	TO->FROM	FPL SWITCH - WOODWARD 138KV CKT 1	133	153	0.04859	101.4863	SPSCONT-04
FDNS	06ALL	0	15SP	ASGI_14_002	TO->FROM	FPL SWITCH - WOODWARD 138KV CKT 1	133	153	0.04595	100.8287	DBL-THIS-WIC
FDNS	06ALL	0	15SP	ASGI_14_002	TO->FROM	FPL SWITCH - WOODWARD 138KV CKT 1	133	153	0.03507	97.7	WOODWARD (WOODWRD2) 138/69/13.2KV TRANSFORMER CKT 1
FDNS	06ALL	0	20WP	ASGI_14_002	TO->FROM	FPL SWITCH - WOODWARD 138KV CKT 1	171	185	0.05179	96.8	NORTHWEST - TATONGA7 345.00 345KV CKT 1
FDNS	06ALL	0	20WP	ASGI_14_002	TO->FROM	FPL SWITCH - WOODWARD 138KV CKT 1	171	185	0.06074	96	DBL-THIS-WWR
FDNS	06ALL	0	15G	ASGI_14_002	TO->FROM	GRAPEVINE INTERCHANGE - NICHOLS STATION 230KV CKT 1	319	351	0.10375	104.4035	LAWTON EASTSIDE - OKLAUNION 345KV CKT 1
FDNS	06ALL	0	20WP	ASGI_14_002	TO->FROM	GRAPEVINE INTERCHANGE - NICHOLS STATION 230KV CKT 1	329	361	0.13477	102.8268	LAWTON EASTSIDE - OKLAUNION 345KV CKT 1
FDNS	06ALL	0	15SP	ASGI_14_002	TO->FROM	GRAPEVINE INTERCHANGE - NICHOLS STATION 230KV CKT 1	319	351	0.1053	99.65252	LAWTON EASTSIDE - OKLAUNION 345KV CKT 1
FDNS	06ALL	0	15G	ASGI_14_002	FROM->TO	GRAPEVINE INTERCHANGE - STATELINE INTERCHANGE 230KV CKT 1	319	351	0.11558	96.46441	LAWTON EASTSIDE - OKLAUNION 345KV CKT 1
FDNS	06ALL	0	15G	ASGI_14_002	FROM->TO	HARPER - MILAN TAP 138KV CKT 1	138	143	0.03332	116.5991	DBL-THIS-WIC
FDNS	06ALL	0	15SP	ASGI_14_002	FROM->TO	HARPER - MILAN TAP 138KV CKT 1	127	136	0.03355	104.5127	DBL-THIS-WIC
FDNS	06ALL	0	15WP	ASGI_14_002	FROM->TO	HARPER - MILAN TAP 138KV CKT 1	143	143	0.03356	102.8215	DBL-THIS-WIC
	06ALL	0	25SP	ASGI_14_002	FROM->TO	Norton Switching Station - PLEASANT HILL 115KV CKT 1	159	160	1	98.8	BASE CASE
FDNS	06ALL	0	15G	ASGI_14_002	TO->FROM	PLANT X STATION - TOLK STATION EAST 230KV CKT 2	478	502	0.15682	108.0605	SPP-SWPS-06
FDNS	06ALL	0	15WP	ASGI_14_002	TO->FROM	PLANT X STATION - TOLK STATION EAST 230KV CKT 2	557	557	0.39924	99.8	PLANT X STATION - TOLK STATION WEST 230KV CKT 1
FDNS	06ALL	0	20SP	ASGI_14_002	TO->FROM	PLANT X STATION - TOLK STATION EAST 230KV CKT 2	478	502	0.32803	96.1	PLANT X STATION - TOLK STATION WEST 230KV CKT 1
FDNS	06ALL	0	20SP	ASGI_14_002	TO->FROM	PLANT X STATION - TOLK STATION WEST 230KV CKT 1	478	502	0.33102	96.8	PLANT X STATION - TOLK STATION EAST 230KV CKT 2
FDNS	06ALL	0	15SP	ASGI_14_002	FROM->TO	PLANT X STATION (WH ALM20171) 230/115/13.2KV TRANSFORMER CKT 1	252	252	0.11065	106.868	NEWHART 230 - PLANT X STATION 230KV CKT 1
FDNS	06ALL	0	15SP	ASGI_14_002	FROM->TO	PLANT X STATION (WH ALM20171) 230/115/13.2KV TRANSFORMER CKT 1	252	252	0.08129	104.7391	SPP-SWPS-K37
FDNS	06ALL	0	15SP	ASGI_14_002	FROM->TO	PLANT X STATION (WH ALM20171) 230/115/13.2KV TRANSFORMER CKT 1	252	252	0.08129	104.739	LAMB COUNTY INTERCHANGE (WH ALM20172) 230/115/13.2KV TRANSFORMER CKT 1
FDNS	06ALL	0	15SP	ASGI_14_002	FROM->TO	PLANT X STATION (WH ALM20171) 230/115/13.2KV TRANSFORMER CKT 1	252	252	0.08129	104.7164	LAMB COUNTY INTERCHANGE - TOLK STATION WEST 230KV CKT 1
FDNS	06ALL	0	15SP	ASGI_14_002	FROM->TO	PLANT X STATION (WH ALM20171) 230/115/13.2KV TRANSFORMER CKT 1	252	252	0.11065	104.1846	NEWHART 230 - PLANT X STATION 230KV CKT 1
FDNS	06ALL	0	15SP	ASGI_14_002	FROM->TO	PLANT X STATION (WH ALM20171) 230/115/13.2KV TRANSFORMER CKT 1	252	252	0.08856	102.4562	DEAF SMITH COUNTY INTERCHANGE - PLANT X STATION 230KV CKT 1
FDNS	06ALL	0	15SP	ASGI_14_002	FROM->TO	PLANT X STATION (WH ALM20171) 230/115/13.2KV TRANSFORMER CKT 1	252	252	0.08129	102.3057	SPP-SWPS-K37
FDNS	06ALL	0	15SP	ASGI_14_002	FROM->TO	PLANT X STATION (WH ALM20171) 230/115/13.2KV TRANSFORMER CKT 1	252	252	0.08129	102.3056	LAMB COUNTY INTERCHANGE (WH ALM20172) 230/115/13.2KV TRANSFORMER CKT 1
FDNS	06ALL	0	15SP	ASGI_14_002	FROM->TO	PLANT X STATION (WH ALM20171) 230/115/13.2KV TRANSFORMER CKT 1	252	252	0.08129	102.2824	LAMB COUNTY INTERCHANGE - TOLK STATION WEST 230KV CKT 1
FDNS	06ALL	0	15SP	ASGI_14_002	FROM->TO	PLANT X STATION (WH ALM20171) 230/115/13.2KV TRANSFORMER CKT 1	252	252	0.08856	99.7	DEAF SMITH COUNTY INTERCHANGE - PLANT X STATION 230KV CKT 1
FDNS	06ALL	0	15SP	ASGI_14_002	FROM->TO	PLANT X STATION (WH ALM20171) 230/115/13.2KV TRANSFORMER CKT 1	252	252	0.06632	95.5	GEN525493 1-PLANT X GEN #3
FDNS	06ALL	2	15G	ASGI_14_002	FROM->TO	CLEARWATER - GILL ENERGY CENTER WEST 138KV CKT 1	143	143	0.03321	100.3876	DBL-THIS-WIC
FDNS	06ALL	2	15G	ASGI_14_002	TO->FROM	CLEARWATER - MILAN TAP 138KV CKT 1	110	110	0.03321	139.9774	DBL-THIS-WIC
FDNS	06ALL	2	20WP	ASGI_14_002	TO->FROM	CLEARWATER - MILAN TAP 138KV CKT 1	110	110	0.03345	108.5614	DBL-THIS-WIC
FDNS	06ALL	2	15WP	ASGI_14_002	TO->FROM	CLEARWATER - MILAN TAP 138KV CKT 1	110	110	0.03345	106.1489	DBL-THIS-WIC
FDNS	06ALL	2	15SP	ASGI_14_002	TO->FROM	CLEARWATER - MILAN TAP 138KV CKT 1	110	110	0.03344	100	DBL-THIS-WIC
FDNS	06ALL	2	15SP	ASGI_14_002	FROM->TO	CURRY COUNTY INTERCHANGE - DEAF SMITH REC-#20 115KV CKT 1	96	96	0.15693	123.1635	DEAF SMITH COUNTY INTERCHANGE - PLANT X STATION 230KV CKT 1
FDNS	06ALL	2	20SP	ASGI_14_002	FROM->TO	CURRY COUNTY INTERCHANGE - DEAF SMITH REC-#20 115KV CKT 1	96	96	0.13538	106.7095	DEAF SMITH COUNTY INTERCHANGE - PLANT X STATION 230KV CKT 1
FDNS	06ALL	2	15SP	ASGI_14_002	FROM->TO	CURRY COUNTY INTERCHANGE - DEAF SMITH REC-#20 115KV CKT 1	96	96	0.14524	105.7855	LAWTON EASTSIDE - OKLAUNION 345KV CKT 1
FDNS	06ALL	2	15SP	ASGI_14_002	FROM->TO	CURRY COUNTY INTERCHANGE - DEAF SMITH REC-#20 115KV CKT 1	96	96	0.14543	97.4	SPP-SWPS-01
FDNS	06ALL	2	15SP	ASGI_14_002	FROM->TO	CURRY COUNTY INTERCHANGE - DEAF SMITH REC-#20 115KV CKT 1	96	96	0.14524	97.2	SPSCONT-01
FDNS	06ALL	2	15SP	ASGI_14_002	FROM->TO	CURRY COUNTY INTERCHANGE - DEAF SMITH REC-#20 115KV CKT 1	96	96	0.14524	97.1	OKLAUNION - TUCO INTERCHANGE 345KV CKT 1
FDNS	06ALL	2	15SP	ASGI_14_002	FROM->TO	CURRY COUNTY INTERCHANGE - DEAF SMITH REC-#20 115KV CKT 1	96	96	0.14717	95.9	NEWHART 230 - PLANT X STATION 230KV CKT 1
FDNS	06ALL	2	25SP	ASGI_14_002	FROM->TO	CURRY COUNTY INTERCHANGE - DEAF SMITH REC-#20 115KV CKT 1	96	96	0.13579	95.5	DEAF SMITH COUNTY INTERCHANGE - PLANT X STATION 230KV CKT 1
FDNS	06ALL	2	15SP	ASGI_14_002	TO->FROM	DEAF SMITH COUNTY INTERCHANGE - PLANT X STATION 230KV CKT 1	319	351	0.1515	109.6348	LAWTON EASTSIDE - OKLAUNION 345KV CKT 1
FDNS	06ALL	2	15SP	ASGI_14_002	TO->FROM	DEAF SMITH COUNTY INTERCHANGE - PLANT X STATION 230KV CKT 1	319	351	0.17016	97.1	NEWHART 230 - PLANT X STATION 230KV CKT 1
FDNS	06ALL	2	15SP	ASGI_14_002	TO->FROM	DEAF SMITH COUNTY INTERCHANGE - PLANT X STATION 230KV CKT 1	319	351	0.15256	96.4	SPP-SWPS-01
FDNS	06ALL	2	15SP	ASGI_14_002	TO->FROM	DEAF SMITH COUNTY INTERCHANGE - PLANT X STATION 230KV CKT 1	319	351	0.1515	96.1	SPSCONT-01
FDNS	06ALL	2	15SP	ASGI_14_002	TO->FROM	DEAF SMITH COUNTY INTERCHANGE - PLANT X STATION 230KV CKT 1	319	351	0.1515	96	OKLAUNION - TUCO INTERCHANGE 345KV CKT 1
FDNS	06ALL	2	15SP	ASGI_14_002	FROM->TO	DEAF SMITH REC-#20 - PARMER COUNTY SUB 115KV CKT 1	96	96	0.15693	109.9541	DEAF SMITH COUNTY INTERCHANGE - PLANT X STATION 230KV CKT 1
FDNS	06ALL	2	15SP	ASGI_14_002	TO->FROM	DEAF SMITH REC-#24 - PARMER COUNTY SUB 115KV CKT 1	96	96	0.15693	101.8097	DEAF SMITH COUNTY INTERCHANGE - PLANT X STATION 230KV CKT 1
FDNS	06ALL	2	20WP	ASGI_14_002	FROM->TO	EDDY_NORTH 6230.00 (WAUK WT01134) 230/115/13.2KV TRANSFORMER CKT 2	250	288	0.06356	103.1673	EDDY COUNTY INTERCHANGE - EDDY_NORTH 6230.00 230KV CKT @1
FDNS	06ALL	2	20WP	ASGI_14_002	FROM->TO	EDDY_NORTH 6230.00 (WAUK WT01134) 230/115/13.2KV TRANSFORMER CKT 2	250	288	0.06356	102.8177	EDDY COUNTY INTERCHANGE - EDDY_NORTH 6230.00 230KV CKT @1
FDNS	06ALL	2	25SP	ASGI_14_002	FROM->TO	EDDY_NORTH 6230.00 (WAUK WT01134) 230/115/13.2KV TRANSFORMER CKT 2	250	288	0.06444	101.5495	EDDY COUNTY INTERCHANGE - EDDY_NORTH 6230.00 230KV CKT @1
FDNS	06ALL	2	25SP	ASGI_14_002	FROM->TO	EDDY_NORTH 6230.00 (WAUK WT01134) 230/115/13.2KV TRANSFORMER CKT 2	250	288	0.06444	100	EDDY COUNTY INTERCHANGE - EDDY_NORTH 6230.00 230KV CKT @1
FDNS	06ALL	2	15WP	ASGI_14_002	FROM->TO	EDDY_NORTH 6230.00 (WAUK WT01134) 230/115/13.2KV TRANSFORMER CKT 2	250	288	0.04311	97.1	EDDY COUNTY INTERCHANGE - EDDY_NORTH 6230.00 230KV CKT @1
FDNS	06ALL	2	15WP	ASGI_14_002	FROM->TO	EDDY_NORTH 6230.00 (WAUK WT01134) 230/115/13.2KV TRANSFORMER CKT 2	250	288	0.04311	97.1	EDDY COUNTY INTERCHANGE - EDDY_NORTH 6230.00 230KV CKT @1
FDNS	06ALL	2	15G	ASGI_14_002	FROM->TO	ELK CITY 230KV (ELKCTY-6) 230/138/13.8KV TRANSFORMER CKT 1	287	316	0.11498	106.8055	LAWTON EASTSIDE - OKLAUNION 345KV CKT 1
FDNS	06ALL	2	15G	ASGI_14_002	FROM->TO	ELK CITY 230KV (ELKCTY-6) 230/138/13.8KV TRANSFORMER CKT 1	287	316	0.11498	104.9756	LAWTON EASTSIDE - OKLAUNION 345KV CKT 1
FDNS	06ALL	2	15SP	ASGI_14_002	FROM->TO	ELK CITY 230KV (ELKCTY-6) 230/138/13.8KV TRANSFORMER CKT 1	272	316	0.12314	100.0284	LAWTON EASTSIDE - OKLAUNION 345KV CKT 1
FDNS	06ALL	2	15WP	ASGI_14_002	FROM->TO	ELK CITY 230KV (ELKCTY-6) 230/138/13.8KV TRANSFORMER CKT 1	287	316	0.12658	99.83074	LAWTON EASTSIDE - OKLAUNION 345KV CKT 1
FDNS	06ALL	2	15SP	ASGI_14_002	FROM->TO	ELK CITY 230KV (ELKCTY-6) 230/138/13.8KV TRANSFORMER CKT 1	272	316	0.12314	98.59394	LAWTON EASTSIDE - OKLAUNION 345KV CKT 1
FDNS	06ALL	2	15WP	ASGI_14_002	FROM->TO	ELK CITY 230KV (ELKCTY-6) 230/138/13.8KV TRANSFORMER CKT 1	287	316	0.12658	98.42802	LAWTON EASTSIDE - OKLAUNION 345KV CKT 1
FDNS	06ALL	2	15G	ASGI_14_002	FROM->TO	ELK CITY 230KV (ELKCTY-6) 230/138/13.8KV TRANSFORMER CKT 1	287	316	0.11498	97.6	SPSCONT-01
FDNS	06ALL	2	15G	ASGI_14_002	FROM->TO	ELK CITY 230KV (ELKCTY-6) 230/138/13.8KV TRANSFORMER CKT 1	287	316	0.10303	96.8	DBL-G1114-WW

SOLUTION	GROUP	SCENARIO	SEASON	SOURCE	DIRECTION	MONITORED ELEMENT	RATEA (MVA)	RATEB(MVA)	TDF	TC%LOADING (% MVA)	CONTINGENCY
FDNS	06ALL	2	15G	ASGI_14_002	FROM->TO	ELK CITY 230KV (ELKCTY-6) 230/138/13.8KV TRANSFORMER CKT 1	287	316	0.11554	96.7	SPP-SWPS-01
FDNS	06ALL	2	15G	ASGI_14_002	FROM->TO	ELK CITY 230KV (ELKCTY-6) 230/138/13.8KV TRANSFORMER CKT 1	287	316	0.11498	96.5	SPSCONT-01
FDNS	06ALL	2	15G	ASGI_14_002	FROM->TO	ELK CITY 230KV (ELKCTY-6) 230/138/13.8KV TRANSFORMER CKT 1	287	316	0.11498	96.2	OKLAUNION - TUCO INTERCHANGE 345KV CKT 1
FDNS	06ALL	2	15G	ASGI_14_002	FROM->TO	ELK CITY 230KV (ELKCTY-6) 230/138/13.8KV TRANSFORMER CKT 1	287	316	0.11554	95.7	SPP-SWPS-01
FDNS	06ALL	2	15G	ASGI_14_002	FROM->TO	ELK CITY 230KV (ELKCTY-6) 230/138/13.8KV TRANSFORMER CKT 1	287	316	0.10303	95.6	DBL-G1114-WW
FDNS	06ALL	2	15G	ASGI_14_002	FROM->TO	ELK CITY 230KV (ELKCTY-6) 230/138/13.8KV TRANSFORMER CKT 1	287	316	0.10303	95.5	DBL-BVR-G111
FDNS	06ALL	2	15G	ASGI_14_002	FROM->TO	ELK CITY 230KV (ELKCTY-6) 230/138/13.8KV TRANSFORMER CKT 1	287	316	0.11498	95.1	OKLAUNION - TUCO INTERCHANGE 345KV CKT 1
FDNS	06ALL	2	15SP	ASGI_14_002	TO->FROM	FLATRDG3 - THISTLE4 138.00 138KV CKT 1	286	286	0.04808	98.1	DBL-THIS-WIC
FDNS	06ALL	2	15G	ASGI_14_002	TO->FROM	FPL SWITCH - WOODWARD 138KV CKT 1	133	153	0.04568	161.0764	NORTHWEST - TATONGA7 345.00 345KV CKT 1
FDNS	06ALL	2	15G	ASGI_14_002	TO->FROM	FPL SWITCH - WOODWARD 138KV CKT 1	133	153	0.05357	159.4718	DBL-THIS-WWR
FDNS	06ALL	2	15G	ASGI_14_002	TO->FROM	FPL SWITCH - WOODWARD 138KV CKT 1	133	153	0.04568	157.784	SPSCONT-05B
FDNS	06ALL	2	15G	ASGI_14_002	TO->FROM	FPL SWITCH - WOODWARD 138KV CKT 1	133	153	0.04568	157.1004	SPSCONT-04
FDNS	06ALL	2	15G	ASGI_14_002	TO->FROM	FPL SWITCH - WOODWARD 138KV CKT 1	133	153	0.04308	154.0923	DBL-THIS-WIC
FDNS	06ALL	2	15G	ASGI_14_002	TO->FROM	FPL SWITCH - WOODWARD 138KV CKT 1	133	153	0.04634	152.7189	LAWTON EASTSIDE - OKLAUNION 345KV CKT 1
FDNS	06ALL	2	15G	ASGI_14_002	TO->FROM	FPL SWITCH - WOODWARD 138KV CKT 1	133	153	0.04568	147.5378	G11_051T 345.00 - TATONGA7 345.00 345KV CKT 1
FDNS	06ALL	2	15G	ASGI_14_002	TO->FROM	FPL SWITCH - WOODWARD 138KV CKT 1	133	153	0.04568	146.3224	G11_051T 345.00 - WOODWARD DISTRICT EHV 345KV CKT 1
FDNS	06ALL	2	15G	ASGI_14_002	TO->FROM	FPL SWITCH - WOODWARD 138KV CKT 1	133	153	0.03188	143.4813	WOODWARD (WOODWRD2) 138/69/13.2KV TRANSFORMER CKT 1
FDNS	06ALL	2	15G	ASGI_14_002	TO->FROM	FPL SWITCH - WOODWARD 138KV CKT 1	133	153	0.04568	143.1119	SPSCONT-05AX
FDNS	06ALL	2	15G	ASGI_14_002	TO->FROM	FPL SWITCH - WOODWARD 138KV CKT 1	133	153	0.04215	142.197	ELK CITY 230KV - SWEETWATER 230KV CKT 1
FDNS	06ALL	2	15G	ASGI_14_002	TO->FROM	FPL SWITCH - WOODWARD 138KV CKT 1	133	153	0.04215	142.1652	ELK CITY 230KV (ELKCTY-6) 230/138/13.8KV TRANSFORMER CKT 1
FDNS	06ALL	2	15G	ASGI_14_002	TO->FROM	FPL SWITCH - WOODWARD 138KV CKT 1	133	153	0.04634	141.5791	SPSCONT-01
FDNS	06ALL	2	15G	ASGI_14_002	TO->FROM	FPL SWITCH - WOODWARD 138KV CKT 1	133	153	0.04237	139.7583	SPP-SWPS-03
FDNS	06ALL	2	15G	ASGI_14_002	TO->FROM	FPL SWITCH - WOODWARD 138KV CKT 1	133	153	0.04634	139.3711	OKLAUNION - TUCO INTERCHANGE 345KV CKT 1
FDNS	06ALL	2	15G	ASGI_14_002	TO->FROM	FPL SWITCH - WOODWARD 138KV CKT 1	133	153	0.04615	139.1429	SPP-SWPS-01
FDNS	06ALL	2	15G	ASGI_14_002	TO->FROM	FPL SWITCH - WOODWARD 138KV CKT 1	133	153	0.04215	138.6541	SPP-SWPS-02A
FDNS	06ALL	2	15G	ASGI_14_002	TO->FROM	FPL SWITCH - WOODWARD 138KV CKT 1	133	153	0.04215	138.3635	GRAPEVINE INTERCHANGE - STATELINE INTERCHANGE 230KV CKT 1
FDNSLock	06ALL	2	15G	ASGI_14_002	TO->FROM	FPL SWITCH - WOODWARD 138KV CKT 1	133	153	0.03392	137.0502	IODINE - WOODWARD EHV 138KV CKT 1
FDNS	06ALL	2	15G	ASGI_14_002	TO->FROM	FPL SWITCH - WOODWARD 138KV CKT 1	133	153	0.03392	135.4149	DEWEY - IODINE 138KV CKT 1
FDNS	06ALL	2	15G	ASGI_14_002	TO->FROM	FPL SWITCH - WOODWARD 138KV CKT 1	133	153	0.04215	132.7991	STATELINE INTERCHANGE - STLN-DEMARC6 230KV CKT 1
FDNS	06ALL	2	15G	ASGI_14_002	TO->FROM	FPL SWITCH - WOODWARD 138KV CKT 1	133	153	0.04215	132.7953	SPP-SWPS-02
FDNS	06ALL	2	15G	ASGI_14_002	TO->FROM	FPL SWITCH - WOODWARD 138KV CKT 1	133	153	0.04215	132.7834	STLN-DEMARC6 - SWEETWATER 230KV CKT 1
FDNS	06ALL	2	15G	ASGI_14_002	TO->FROM	FPL SWITCH - WOODWARD 138KV CKT 1	133	153	0.03462	130.4683	GRAPEVINE INTERCHANGE - NICHOLS STATION 230KV CKT 1
FDNS	06ALL	2	15G	ASGI_14_002	TO->FROM	FPL SWITCH - WOODWARD 138KV CKT 1	133	153	0.03188	130.1106	WOODWARD - WOODWARD 69KV CKT 1
FDNS	06ALL	2	15G	ASGI_14_002	TO->FROM	FPL SWITCH - WOODWARD 138KV CKT 1	133	153	0.03463	126.1934	THISTLE7 345.00 - WOODWARD DISTRICT EHV 345KV CKT 1
FDNS	06ALL	2	15G	ASGI_14_002	TO->FROM	FPL SWITCH - WOODWARD 138KV CKT 1	133	153	0.03463	126.1934	THISTLE7 345.00 - WOODWARD DISTRICT EHV 345KV CKT 2
FDNS	06ALL	2	15G	ASGI_14_002	TO->FROM	FPL SWITCH - WOODWARD 138KV CKT 1	133	153	0.03426	124.5364	FINNEY SWITCHING STATION - HOLCOMB 345KV CKT 1
FDNS	06ALL	2	15G	ASGI_14_002	TO->FROM	FPL SWITCH - WOODWARD 138KV CKT 1	133	153	0.03174	124.2225	THISTLE7 345.00 - WICHITA 345KV CKT 1
FDNS	06ALL	2	15G	ASGI_14_002	TO->FROM	FPL SWITCH - WOODWARD 138KV CKT 1	133	153	0.03174	124.2225	THISTLE7 345.00 - WICHITA 345KV CKT 2
FDNS	06ALL	2	15G	ASGI_14_002	TO->FROM	FPL SWITCH - WOODWARD 138KV CKT 1	133	153	0.03426	123.294	SPP-SWPS-05
FDNS	06ALL	2	15G	ASGI_14_002	TO->FROM	FPL SWITCH - WOODWARD 138KV CKT 1	133	153	0.03426	123.2358	FINNEY SWITCHING STATION - Hitchland Interchange 345KV CKT 1
FDNS	06ALL	2	15G	ASGI_14_002	TO->FROM	FPL SWITCH - WOODWARD 138KV CKT 1	133	153	0.03166	120.7881	ELLIS 4 138.00 - RED HILLS WIND 138KV CKT 1
FDNS	06ALL	2	15G	ASGI_14_002	TO->FROM	FPL SWITCH - WOODWARD 138KV CKT 1	133	153	0.03166	118.2424	ELLIS 4 138.00 - MOREWOOD SW 138KV CKT 1
FDNS	06ALL	2	15SP	ASGI_14_002	TO->FROM	FPL SWITCH - WOODWARD 138KV CKT 1	133	153	0.05677	111.8037	DBL-THIS-WWR
FDNS	06ALL	2	15G	ASGI_14_002	TO->FROM	FPL SWITCH - WOODWARD 138KV CKT 1	133	153	0.03166	105.8822	ELK CITY - RED HILLS WIND 138KV CKT 1
FDNS	06ALL	2	15SP	ASGI_14_002	TO->FROM	FPL SWITCH - WOODWARD 138KV CKT 1	133	153	0.04859	105.4283	NORTHWEST - TATONGA7 345.00 345KV CKT 1
FDNS	06ALL	2	15SP	ASGI_14_002	TO->FROM	FPL SWITCH - WOODWARD 138KV CKT 1	133	153	0.0493	104.792	LAWTON EASTSIDE - OKLAUNION 345KV CKT 1
FDNS	06ALL	2	15SP	ASGI_14_002	TO->FROM	FPL SWITCH - WOODWARD 138KV CKT 1	133	153	0.04859	102.6609	SPSCONT-05B
FDNS	06ALL	2	15SP	ASGI_14_002	TO->FROM	FPL SWITCH - WOODWARD 138KV CKT 1	133	153	0.04859	101.5196	SPSCONT-04
FDNS	06ALL	2	15SP	ASGI_14_002	TO->FROM	FPL SWITCH - WOODWARD 138KV CKT 1	133	153	0.04597	100.868	DBL-THIS-WIC
FDNS	06ALL	2	15SP	ASGI_14_002	TO->FROM	FPL SWITCH - WOODWARD 138KV CKT 1	133	153	0.03514	97.8	WOODWARD (WOODWRD2) 138/69/13.2KV TRANSFORMER CKT 1
FDNS	06ALL	2	20WP	ASGI_14_002	TO->FROM	FPL SWITCH - WOODWARD 138KV CKT 1	171	185	0.05177	96.8	NORTHWEST - TATONGA7 345.00 345KV CKT 1
FDNS	06ALL	2	20WP	ASGI_14_002	TO->FROM	FPL SWITCH - WOODWARD 138KV CKT 1	171	185	0.06076	96.1	DBL-THIS-WWR
FDNS	06ALL	2	15G	ASGI_14_002	TO->FROM	GRAPEVINE INTERCHANGE - NICHOLS STATION 230KV CKT 1	319	351	0.10321	104.1544	LAWTON EASTSIDE - OKLAUNION 345KV CKT 1
FDNS	06ALL	2	20WP	ASGI_14_002	TO->FROM	GRAPEVINE INTERCHANGE - NICHOLS STATION 230KV CKT 1	329	361	0.13442	102.6379	LAWTON EASTSIDE - OKLAUNION 345KV CKT 1
FDNS	06ALL	2	15SP	ASGI_14_002	TO->FROM	GRAPEVINE INTERCHANGE - NICHOLS STATION 230KV CKT 1	319	351	0.10476	99.55632	LAWTON EASTSIDE - OKLAUNION 345KV CKT 1
FDNS	06ALL	2	15G	ASGI_14_002	FROM->TO	GRAPEVINE INTERCHANGE - STATELINE INTERCHANGE 230KV CKT 1	319	351	0.11498	96.1822	LAWTON EASTSIDE - OKLAUNION 345KV CKT 1
FDNS	06ALL	2	15G	ASGI_14_002	FROM->TO	HARPER - MILAN TAP 138KV CKT 1	138	143	0.03321	116.4392	DBL-THIS-WIC
FDNS	06ALL	2	15SP	ASGI_14_002	FROM->TO	HARPER - MILAN TAP 138KV CKT 1	127	136	0.03344	104.4461	DBL-THIS-WIC
FDNS	06ALL	2	15WP	ASGI_14_002	FROM->TO	HARPER - MILAN TAP 138KV CKT 1	143	143	0.03345	102.7312	DBL-THIS-WIC
	06ALL	2	25SP	ASGI_14_002	FROM->TO	Norton Switching Station - PLEASANT HILL 115KV CKT 1	159	160	1	98.8	BASE CASE
FDNS	06ALL	2	15G	ASGI_14_002	TO->FROM	PLANT X STATION - TOLK STATION EAST 230KV CKT 2	478	502	0.15657	107.8303	SPP-SWPS-06
FDNS	06ALL	2	15WP	ASGI_14_002	TO->FROM	PLANT X STATION - TOLK STATION EAST 230KV CKT 2	557	557	0.39894	99.7	PLANT X STATION - TOLK STATION WEST 230KV CKT 1
FDNS	06ALL	2	20SP	ASGI_14_002	TO->FROM	PLANT X STATION - TOLK STATION EAST 230KV CKT 2	478	502	0.32874	96.2	PLANT X STATION - TOLK STATION WEST 230KV CKT 1
FDNS	06ALL	2	20SP	ASGI_14_002	TO->FROM	PLANT X STATION - TOLK STATION WEST 230KV CKT 1	478	502	0.33174	96.9	PLANT X STATION - TOLK STATION EAST 230KV CKT 2
FDNS	06ALL	2	15SP	ASGI_14_002	FROM->TO	PLANT X STATION (WH ALM20171) 230/115/13.2KV TRANSFORMER CKT 1	252	252	0.11088	106.9543	NEWHART 230 - PLANT X STATION 230KV CKT 1
FDNS	06ALL	2	15SP	ASGI_14_002	FROM->TO	PLANT X STATION (WH ALM20171) 230/115/13.2KV TRANSFORMER CKT 1	252	252	0.0814	104.7846	LAMB COUNTY INTERCHANGE (WH ALM20172) 230/115/13.2KV TRANSFORMER CKT 1
FDNS	06ALL	2	15SP	ASGI_14_002	FROM->TO	PLANT X STATION (WH ALM20171) 230/115/13.2KV TRANSFORMER CKT 1	252	252	0.0814	104.7807	SPP-SWPS-K37
FDNS	06ALL	2	15SP	ASGI_14_002	FROM->TO	PLANT X STATION (WH ALM20171) 230/115/13.2KV TRANSFORMER CKT 1	252	252	0.0814	104.7599	LAMB COUNTY INTERCHANGE - TOLK STATION WEST 230KV CKT 1
FDNS	06ALL	2	15SP	ASGI_14_002	FROM->TO	PLANT X STATION (WH ALM20171) 230/115/13.2KV TRANSFORMER CKT 1	252	252	0.11088	104.2664	NEWHART 230 - PLANT X STATION 230KV CKT 1
FDNS	06ALL	2	15SP	ASGI_14_002	FROM->TO	PLANT X STATION (WH ALM20171) 230/115/13.2KV TRANSFORMER CKT 1	252	252	0.08844	102.3785	DEAF SMITH COUNTY INTERCHANGE - PLANT X STATION 230KV CKT 1
FDNS	06ALL	2	15SP	ASGI_14_002	FROM->TO	PLANT X STATION (WH ALM20171) 230/115/13.2KV TRANSFORMER CKT 1	252	252	0.0814	102.3506	LAMB COUNTY INTERCHANGE (WH ALM20172) 230/115/13.2KV TRANSFORMER CKT 1
FDNS	06ALL	2	15SP	ASGI_14_002	FROM->TO	PLANT X STATION (WH ALM20171) 230/115/13.2KV TRANSFORMER CKT 1	252	252	0.0814	102.3469	SPP-SWPS-K37

SOLUTION	GROUP	SCENARIO	SEASON	SOURCE	DIRECTION	MONITORED ELEMENT	RATEA (MVA)	RATEB (MVA)	TDF	TC%LOADING (% MVA)	CONTINGENCY
FDNS	06ALL	2	15SP	ASGI_14_002	FROM->TO	PLANT X STATION (WH ALM20171) 230/115/13.2KV TRANSFORMER CKT 1	252	252	0.0814	102.3256	LAMB COUNTY INTERCHANGE - TOLK STATION WEST 230KV CKT 1
FDNS	06ALL	2	15SP	ASGI_14_002	FROM->TO	PLANT X STATION (WH ALM20171) 230/115/13.2KV TRANSFORMER CKT 1	252	252	0.08844	99.6	DEAF SMITH COUNTY INTERCHANGE - PLANT X STATION 230KV CKT 1
FDNS	06ALL	2	15SP	ASGI_14_002	FROM->TO	PLANT X STATION (WH ALM20171) 230/115/13.2KV TRANSFORMER CKT 1	252	252	0.06642	95.6	GEN525493 1-PLANT X GEN #3
FDNS	06ALL	2	15G	ASGI_14_002	FROM->TO	TUCO INTERCHANGE - TUCO_2 230.00 230KV CKT 1	319	351	0.17733	114.27	TUCO INTERCHANGE (GE M1022338) 345/230/13.2KV TRANSFORMER CKT 1
FDNS	06ALL	2	15G	ASGI_14_002	FROM->TO	TUCO INTERCHANGE - TUCO_2 230.00 230KV CKT 1	319	351	0.16936	114.1018	SPP-SWPS-01
FDNS	06ALL	2	15G	ASGI_14_002	FROM->TO	TUCO INTERCHANGE - TUCO_2 230.00 230KV CKT 1	319	351	0.16393	107.1921	TUCO INTERCHANGE (SIEM 8743066) 345/230/13.2KV TRANSFORMER CKT 2
FDNS	06ALL	2	20WP	ASGI_14_002	FROM->TO	TUCO INTERCHANGE - TUCO_2 230.00 230KV CKT 1	329	361	0.13964	101.7389	SPP-SWPS-01
FDNS	06ALL	2	20WP	ASGI_14_002	FROM->TO	TUCO INTERCHANGE - TUCO_2 230.00 230KV CKT 1	329	361	0.14119	100.0723	TUCO INTERCHANGE (GE M1022338) 345/230/13.2KV TRANSFORMER CKT 1
FDNS	06ALL	2	15G	ASGI_14_002	FROM->TO	TUCO INTERCHANGE - TUCO_2 230.00 230KV CKT 1	319	351	0.1217	98.75284	LAWTON EASTSIDE - OKLAUNION 345KV CKT 1
FDNS	06ALL	2	15SP	ASGI_14_002	FROM->TO	TUCO INTERCHANGE - TUCO_2 230.00 230KV CKT 1	319	351	0.14874	96.5	TUCO INTERCHANGE - TUCO_2 345.00 345KV CKT 1
FDNS	06ALL	2	15WP	ASGI_14_002	FROM->TO	TUCO INTERCHANGE - TUCO_2 230.00 230KV CKT 1	329	361	0.18332	96.4	TUCO INTERCHANGE (GE M1022338) 345/230/13.2KV TRANSFORMER CKT 1
FDNS	06ALL	2	15WP	ASGI_14_002	FROM->TO	TUCO INTERCHANGE - TUCO_2 230.00 230KV CKT 1	329	361	0.17494	95.1	SPP-SWPS-01
FDNS	06ALL	3	15G	ASGI_14_002	FROM->TO	CLEARWATER - GILL ENERGY CENTER WEST 138KV CKT 1	143	143	0.0332	100.3353	DBL-THIS-WIC
FDNS	06ALL	3	15G	ASGI_14_002	TO->FROM	CLEARWATER - MILAN TAP 138KV CKT 1	110	110	0.0332	139.9081	DBL-THIS-WIC
FDNS	06ALL	3	20WP	ASGI_14_002	TO->FROM	CLEARWATER - MILAN TAP 138KV CKT 1	110	110	0.03343	108.5249	DBL-THIS-WIC
FDNS	06ALL	3	15WP	ASGI_14_002	TO->FROM	CLEARWATER - MILAN TAP 138KV CKT 1	110	110	0.03343	106.1126	DBL-THIS-WIC
FDNS	06ALL	3	15SP	ASGI_14_002	TO->FROM	CLEARWATER - MILAN TAP 138KV CKT 1	110	110	0.03341	99.9	DBL-THIS-WIC
FDNS	06ALL	3	15SP	ASGI_14_002	FROM->TO	CURRY COUNTY INTERCHANGE - DEAF SMITH REC-#20 115KV CKT 1	96	96	0.12468	120.7305	DEAF SMITH COUNTY INTERCHANGE - PLANT X STATION 230KV CKT 1
FDNS	06ALL	3	20SP	ASGI_14_002	FROM->TO	CURRY COUNTY INTERCHANGE - DEAF SMITH REC-#20 115KV CKT 1	96	96	0.10807	104.6276	DEAF SMITH COUNTY INTERCHANGE - PLANT X STATION 230KV CKT 1
FDNS	06ALL	3	15SP	ASGI_14_002	FROM->TO	CURRY COUNTY INTERCHANGE - DEAF SMITH REC-#20 115KV CKT 1	96	96	0.11062	103.3912	LAWTON EASTSIDE - OKLAUNION 345KV CKT 1
FDNS	06ALL	3	15SP	ASGI_14_002	TO->FROM	DEAF SMITH COUNTY INTERCHANGE - PLANT X STATION 230KV CKT 1	319	351	0.16844	109.4403	LAWTON EASTSIDE - OKLAUNION 345KV CKT 1
FDNS	06ALL	3	15SP	ASGI_14_002	TO->FROM	DEAF SMITH COUNTY INTERCHANGE - PLANT X STATION 230KV CKT 1	319	351	0.18839	96.9	NEWHART 230 - PLANT X STATION 230KV CKT 1
FDNS	06ALL	3	15SP	ASGI_14_002	TO->FROM	DEAF SMITH COUNTY INTERCHANGE - PLANT X STATION 230KV CKT 1	319	351	0.16951	96.2	SPP-SWPS-01
FDNS	06ALL	3	15SP	ASGI_14_002	TO->FROM	DEAF SMITH COUNTY INTERCHANGE - PLANT X STATION 230KV CKT 1	319	351	0.16844	96	SPSCONT-01
FDNS	06ALL	3	15SP	ASGI_14_002	TO->FROM	DEAF SMITH COUNTY INTERCHANGE - PLANT X STATION 230KV CKT 1	319	351	0.16844	95.8	OKLAUNION - TUCO INTERCHANGE 345KV CKT 1
FDNS	06ALL	3	15SP	ASGI_14_002	FROM->TO	DEAF SMITH REC-#20 - PARMER COUNTY SUB 115KV CKT 1	96	96	0.12468	107.5483	DEAF SMITH COUNTY INTERCHANGE - PLANT X STATION 230KV CKT 1
FDNS	06ALL	3	15SP	ASGI_14_002	TO->FROM	DEAF SMITH REC-#24 - PARMER COUNTY SUB 115KV CKT 1	96	96	0.12468	99.8	DEAF SMITH COUNTY INTERCHANGE - PLANT X STATION 230KV CKT 1
FDNS	06ALL	3	20WP	ASGI_14_002	FROM->TO	EDDY_NORTH 6230.00 (WAUK WT01134) 230/115/13.2KV TRANSFORMER CKT 2	250	288	0.06698	103.4582	EDDY COUNTY INTERCHANGE - EDDY_NORTH 6230.00 230KV CKT @1
FDNS	06ALL	3	20WP	ASGI_14_002	FROM->TO	EDDY_NORTH 6230.00 (WAUK WT01134) 230/115/13.2KV TRANSFORMER CKT 2	250	288	0.06698	103.0362	EDDY COUNTY INTERCHANGE - EDDY_NORTH 6230.00 230KV CKT @1
FDNS	06ALL	3	25SP	ASGI_14_002	FROM->TO	EDDY_NORTH 6230.00 (WAUK WT01134) 230/115/13.2KV TRANSFORMER CKT 2	250	288	0.06786	101.949	EDDY COUNTY INTERCHANGE - EDDY_NORTH 6230.00 230KV CKT @1
FDNS	06ALL	3	25SP	ASGI_14_002	FROM->TO	EDDY_NORTH 6230.00 (WAUK WT01134) 230/115/13.2KV TRANSFORMER CKT 2	250	288	0.06786	100.3172	EDDY COUNTY INTERCHANGE - EDDY_NORTH 6230.00 230KV CKT @1
FDNS	06ALL	3	15WP	ASGI_14_002	FROM->TO	EDDY_NORTH 6230.00 (WAUK WT01134) 230/115/13.2KV TRANSFORMER CKT 2	250	288	0.04462	96.8	EDDY COUNTY INTERCHANGE - EDDY_NORTH 6230.00 230KV CKT @1
FDNS	06ALL	3	15WP	ASGI_14_002	FROM->TO	EDDY_NORTH 6230.00 (WAUK WT01134) 230/115/13.2KV TRANSFORMER CKT 2	250	288	0.04462	96.7	EDDY COUNTY INTERCHANGE - EDDY_NORTH 6230.00 230KV CKT @1
FDNS	06ALL	3	15G	ASGI_14_002	FROM->TO	ELK CITY 230KV (ELKCTY-6) 230/138/13.8KV TRANSFORMER CKT 1	287	316	0.11475	106.8002	LAWTON EASTSIDE - OKLAUNION 345KV CKT 1
FDNS	06ALL	3	15G	ASGI_14_002	FROM->TO	ELK CITY 230KV (ELKCTY-6) 230/138/13.8KV TRANSFORMER CKT 1	287	316	0.11475	104.9708	LAWTON EASTSIDE - OKLAUNION 345KV CKT 1
FDNS	06ALL	3	15SP	ASGI_14_002	FROM->TO	ELK CITY 230KV (ELKCTY-6) 230/138/13.8KV TRANSFORMER CKT 1	272	316	0.12283	100.0238	LAWTON EASTSIDE - OKLAUNION 345KV CKT 1
FDNS	06ALL	3	15WP	ASGI_14_002	FROM->TO	ELK CITY 230KV (ELKCTY-6) 230/138/13.8KV TRANSFORMER CKT 1	287	316	0.12631	99.80477	LAWTON EASTSIDE - OKLAUNION 345KV CKT 1
FDNS	06ALL	3	15SP	ASGI_14_002	FROM->TO	ELK CITY 230KV (ELKCTY-6) 230/138/13.8KV TRANSFORMER CKT 1	272	316	0.12283	98.58963	LAWTON EASTSIDE - OKLAUNION 345KV CKT 1
FDNS	06ALL	3	15WP	ASGI_14_002	FROM->TO	ELK CITY 230KV (ELKCTY-6) 230/138/13.8KV TRANSFORMER CKT 1	287	316	0.12631	98.40416	LAWTON EASTSIDE - OKLAUNION 345KV CKT 1
FDNS	06ALL	3	15G	ASGI_14_002	FROM->TO	ELK CITY 230KV (ELKCTY-6) 230/138/13.8KV TRANSFORMER CKT 1	287	316	0.11475	97.5	SPSCONT-01
FDNS	06ALL	3	15G	ASGI_14_002	FROM->TO	ELK CITY 230KV (ELKCTY-6) 230/138/13.8KV TRANSFORMER CKT 1	287	316	0.11531	96.7	SPP-SWPS-01
FDNS-CHECK-TC-Iteration Limit Exceeded.	06ALL	3	15G	ASGI_14_002	FROM->TO	ELK CITY 230KV (ELKCTY-6) 230/138/13.8KV TRANSFORMER CKT 1	287	316	0.10229	96.7	DBL-G1114-WW
FDNS	06ALL	3	15G	ASGI_14_002	FROM->TO	ELK CITY 230KV (ELKCTY-6) 230/138/13.8KV TRANSFORMER CKT 1	287	316	0.11475	96.5	SPSCONT-01
FDNS	06ALL	3	15G	ASGI_14_002	FROM->TO	ELK CITY 230KV (ELKCTY-6) 230/138/13.8KV TRANSFORMER CKT 1	287	316	0.11475	96.4	OKLAUNION - TUCO INTERCHANGE 345KV CKT 1
FDNS	06ALL	3	15G	ASGI_14_002	FROM->TO	ELK CITY 230KV (ELKCTY-6) 230/138/13.8KV TRANSFORMER CKT 1	287	316	0.10229	95.6	DBL-BVR-G111
FDNS-CHECK-TC-Iteration Limit Exceeded.	06ALL	3	15G	ASGI_14_002	FROM->TO	ELK CITY 230KV (ELKCTY-6) 230/138/13.8KV TRANSFORMER CKT 1	287	316	0.10229	95.6	DBL-G1114-WW
FDNS	06ALL	3	15G	ASGI_14_002	FROM->TO	ELK CITY 230KV (ELKCTY-6) 230/138/13.8KV TRANSFORMER CKT 1	287	316	0.11531	95.5	SPP-SWPS-01
FDNS	06ALL	3	15G	ASGI_14_002	FROM->TO	ELK CITY 230KV (ELKCTY-6) 230/138/13.8KV TRANSFORMER CKT 1	287	316	0.11475	95.3	OKLAUNION - TUCO INTERCHANGE 345KV CKT 1
FDNS	06ALL	3	15SP	ASGI_14_002	TO->FROM	FLATRDG3 - THISTLE4 138.00 138KV CKT 1	286	286	0.04805	98.1	DBL-THIS-WIC
FDNS	06ALL	3	15G	ASGI_14_002	TO->FROM	FPL SWITCH - WOODWARD 138KV CKT 1	133	153	0.0457	161.139	NORTHWEST - TATONGA7 345.00 345KV CKT 1
FDNS	06ALL	3	15G	ASGI_14_002	TO->FROM	FPL SWITCH - WOODWARD 138KV CKT 1	133	153	0.05363	159.4606	DBL-THIS-WWR
FDNS	06ALL	3	15G	ASGI_14_002	TO->FROM	FPL SWITCH - WOODWARD 138KV CKT 1	133	153	0.0457	157.7752	SPSCONT-05B
FDNS	06ALL	3	15G	ASGI_14_002	TO->FROM	FPL SWITCH - WOODWARD 138KV CKT 1	133	153	0.0457	157.1729	SPSCONT-04
FDNS	06ALL	3	15G	ASGI_14_002	TO->FROM	FPL SWITCH - WOODWARD 138KV CKT 1	133	153	0.04311	154.0712	DBL-THIS-WIC
FDNS	06ALL	3	15G	ASGI_14_002	TO->FROM	FPL SWITCH - WOODWARD 138KV CKT 1	133	153	0.04652	152.6468	LAWTON EASTSIDE - OKLAUNION 345KV CKT 1
FDNS	06ALL	3	15G	ASGI_14_002	TO->FROM	FPL SWITCH - WOODWARD 138KV CKT 1	133	153	0.0457	147.5252	G11_051T 345.00 - TATONGA7 345.00 345KV CKT 1
FDNS	06ALL	3	15G	ASGI_14_002	TO->FROM	FPL SWITCH - WOODWARD 138KV CKT 1	133	153	0.0457	146.2378	G11_051T 345.00 - WOODWARD DISTRICT EHV 345KV CKT 1
FDNS	06ALL	3	15G	ASGI_14_002	TO->FROM	FPL SWITCH - WOODWARD 138KV CKT 1	133	153	0.03191	143.417	WOODWARD (WOODWRD2) 138/69/13.2KV TRANSFORMER CKT 1
FDNS	06ALL	3	15G	ASGI_14_002	TO->FROM	FPL SWITCH - WOODWARD 138KV CKT 1	133	153	0.0457	143.0314	SPSCONT-05AX
FDNS	06ALL	3	15G	ASGI_14_002	TO->FROM	FPL SWITCH - WOODWARD 138KV CKT 1	133	153	0.04209	142.1867	ELK CITY 230KV - SWEETWATER 230KV CKT 1
FDNS	06ALL	3	15G	ASGI_14_002	TO->FROM	FPL SWITCH - WOODWARD 138KV CKT 1	133	153	0.04209	142.1522	ELK CITY 230KV (ELKCTY-6) 230/138/13.8KV TRANSFORMER CKT 1
FDNS	06ALL	3	15G	ASGI_14_002	TO->FROM	FPL SWITCH - WOODWARD 138KV CKT 1	133	153	0.04652	141.5408	SPSCONT-01

SOLUTION	GROUP	SCENARIO	SEASON	SOURCE	DIRECTION	MONITORED ELEMENT	RATEA (MVA)	RATEB(MVA)	TDF	TC%LOADING (% MVA)	CONTINGENCY
FDNS	06ALL	3	15G	ASGI_14_002	TO->FROM	FPL SWITCH - WOODWARD 138KV CKT 1	133	153	0.04231	139.7718	SPP-SWPS-03
FDNS	06ALL	3	15G	ASGI_14_002	TO->FROM	FPL SWITCH - WOODWARD 138KV CKT 1	133	153	0.04652	139.4068	OKLAUNION - TUCO INTERCHANGE 345KV CKT 1
FDNS	06ALL	3	15G	ASGI_14_002	TO->FROM	FPL SWITCH - WOODWARD 138KV CKT 1	133	153	0.04633	139.2189	SPP-SWPS-01
FDNS	06ALL	3	15G	ASGI_14_002	TO->FROM	FPL SWITCH - WOODWARD 138KV CKT 1	133	153	0.04209	138.5807	SPP-SWPS-02A
FDNS	06ALL	3	15G	ASGI_14_002	TO->FROM	FPL SWITCH - WOODWARD 138KV CKT 1	133	153	0.04209	138.419	GRAPEVINE INTERCHANGE - STATELINE INTERCHANGE 230KV CKT 1
FDNS	06ALL	3	15G	ASGI_14_002	TO->FROM	FPL SWITCH - WOODWARD 138KV CKT 1	133	153	0.03395	137.3554	IODINE - WOODWARD EHV 138KV CKT 1
FDNS	06ALL	3	15G	ASGI_14_002	TO->FROM	FPL SWITCH - WOODWARD 138KV CKT 1	133	153	0.03395	135.3142	DEWEY - IODINE 138KV CKT 1
FDNS	06ALL	3	15G	ASGI_14_002	TO->FROM	FPL SWITCH - WOODWARD 138KV CKT 1	133	153	0.04209	132.9488	STATELINE INTERCHANGE - STLN-DEMARC6 230KV CKT 1
FDNS	06ALL	3	15G	ASGI_14_002	TO->FROM	FPL SWITCH - WOODWARD 138KV CKT 1	133	153	0.04209	132.9455	SPP-SWPS-02
FDNS	06ALL	3	15G	ASGI_14_002	TO->FROM	FPL SWITCH - WOODWARD 138KV CKT 1	133	153	0.04209	132.9341	STLN-DEMARC6 - SWEETWATER 230KV CKT 1
FDNS	06ALL	3	15G	ASGI_14_002	TO->FROM	FPL SWITCH - WOODWARD 138KV CKT 1	133	153	0.03461	130.4008	GRAPEVINE INTERCHANGE - NICHOLS STATION 230KV CKT 1
FDNS	06ALL	3	15G	ASGI_14_002	TO->FROM	FPL SWITCH - WOODWARD 138KV CKT 1	133	153	0.03191	130.0269	WOODWARD - WOODWARD 69KV CKT 1
FDNS	06ALL	3	15G	ASGI_14_002	TO->FROM	FPL SWITCH - WOODWARD 138KV CKT 1	133	153	0.03467	126.1489	THISTLE7 345.00 - WOODWARD DISTRICT EHV 345KV CKT 1
FDNS	06ALL	3	15G	ASGI_14_002	TO->FROM	FPL SWITCH - WOODWARD 138KV CKT 1	133	153	0.03467	126.1489	THISTLE7 345.00 - WOODWARD DISTRICT EHV 345KV CKT 2
FDNS	06ALL	3	15G	ASGI_14_002	TO->FROM	FPL SWITCH - WOODWARD 138KV CKT 1	133	153	0.03427	124.4764	FINNEY SWITCHING STATION - HOLCOMB 345KV CKT 1
FDNS	06ALL	3	15G	ASGI_14_002	TO->FROM	FPL SWITCH - WOODWARD 138KV CKT 1	133	153	0.03177	124.1911	THISTLE7 345.00 - WICHITA 345KV CKT 1
FDNS	06ALL	3	15G	ASGI_14_002	TO->FROM	FPL SWITCH - WOODWARD 138KV CKT 1	133	153	0.03177	124.1911	THISTLE7 345.00 - WICHITA 345KV CKT 2
FDNS	06ALL	3	15G	ASGI_14_002	TO->FROM	FPL SWITCH - WOODWARD 138KV CKT 1	133	153	0.03427	123.2348	SPP-SWPS-05
FDNS	06ALL	3	15G	ASGI_14_002	TO->FROM	FPL SWITCH - WOODWARD 138KV CKT 1	133	153	0.03427	123.1767	FINNEY SWITCHING STATION - Hitchland Interchange 345KV CKT 1
FDNS	06ALL	3	15G	ASGI_14_002	TO->FROM	FPL SWITCH - WOODWARD 138KV CKT 1	133	153	0.03167	120.7358	ELLIS 4 138.00 - RED HILLS WIND 138KV CKT 1
FDNS	06ALL	3	15G	ASGI_14_002	TO->FROM	FPL SWITCH - WOODWARD 138KV CKT 1	133	153	0.03167	118.208	ELLIS 4 138.00 - MOREWOOD SW 138KV CKT 1
FDNS	06ALL	3	15SP	ASGI_14_002	TO->FROM	FPL SWITCH - WOODWARD 138KV CKT 1	133	153	0.05681	111.727	DBL-THIS-WWR
FDNS	06ALL	3	15G	ASGI_14_002	TO->FROM	FPL SWITCH - WOODWARD 138KV CKT 1	133	153	0.03167	106.2134	ELK CITY - RED HILLS WIND 138KV CKT 1
FDNS	06ALL	3	15SP	ASGI_14_002	TO->FROM	FPL SWITCH - WOODWARD 138KV CKT 1	133	153	0.04858	105.3474	NORTHWEST - TATONGA7 345.00 345KV CKT 1
FDNS	06ALL	3	15SP	ASGI_14_002	TO->FROM	FPL SWITCH - WOODWARD 138KV CKT 1	133	153	0.04946	104.763	LAWTON EASTSIDE - OKLAUNION 345KV CKT 1
FDNS	06ALL	3	15SP	ASGI_14_002	TO->FROM	FPL SWITCH - WOODWARD 138KV CKT 1	133	153	0.04858	102.5806	SPSCONT-05B
FDNS	06ALL	3	15SP	ASGI_14_002	TO->FROM	FPL SWITCH - WOODWARD 138KV CKT 1	133	153	0.04858	101.4405	SPSCONT-04
FDNS	06ALL	3	15SP	ASGI_14_002	TO->FROM	FPL SWITCH - WOODWARD 138KV CKT 1	133	153	0.04598	100.7966	DBL-THIS-WIC
FDNS	06ALL	3	15SP	ASGI_14_002	TO->FROM	FPL SWITCH - WOODWARD 138KV CKT 1	133	153	0.03516	97.7	WOODWARD (WOODWRD2) 138/69/13.2KV TRANSFORMER CKT 1
FDNS	06ALL	3	20WP	ASGI_14_002	TO->FROM	FPL SWITCH - WOODWARD 138KV CKT 1	171	185	0.05175	96.7	NORTHWEST - TATONGA7 345.00 345KV CKT 1
FDNS	06ALL	3	20WP	ASGI_14_002	TO->FROM	FPL SWITCH - WOODWARD 138KV CKT 1	171	185	0.0608	96	DBL-THIS-WWR
FDNS	06ALL	3	15G	ASGI_14_002	TO->FROM	GRAPEVINE INTERCHANGE - NICHOLS STATION 230KV CKT 1	319	351	0.10302	104.2251	LAWTON EASTSIDE - OKLAUNION 345KV CKT 1
FDNS	06ALL	3	20WP	ASGI_14_002	TO->FROM	GRAPEVINE INTERCHANGE - NICHOLS STATION 230KV CKT 1	329	361	0.13411	102.6177	LAWTON EASTSIDE - OKLAUNION 345KV CKT 1
FDNS	06ALL	3	15SP	ASGI_14_002	TO->FROM	GRAPEVINE INTERCHANGE - NICHOLS STATION 230KV CKT 1	319	351	0.10451	99.55151	LAWTON EASTSIDE - OKLAUNION 345KV CKT 1
FDNS	06ALL	3	15G	ASGI_14_002	FROM->TO	GRAPEVINE INTERCHANGE - STATELINE INTERCHANGE 230KV CKT 1	319	351	0.11475	96.19302	LAWTON EASTSIDE - OKLAUNION 345KV CKT 1
FDNS	06ALL	3	15G	ASGI_14_002	FROM->TO	HARPER - MILAN TAP 138KV CKT 1	138	143	0.0332	116.387	DBL-THIS-WIC
FDNS	06ALL	3	15SP	ASGI_14_002	FROM->TO	HARPER - MILAN TAP 138KV CKT 1	127	136	0.03341	104.4151	DBL-THIS-WIC
FDNS	06ALL	3	15WP	ASGI_14_002	FROM->TO	HARPER - MILAN TAP 138KV CKT 1	143	143	0.03343	102.7046	DBL-THIS-WIC
FDNS	06ALL	3	15G	ASGI_14_002	TO->FROM	PLANT X STATION - TOLK STATION EAST 230KV CKT 2	478	502	0.16868	106.1344	SPP-SWPS-06
FDNS	06ALL	3	15WP	ASGI_14_002	TO->FROM	PLANT X STATION - TOLK STATION EAST 230KV CKT 2	557	557	0.4222	99.6	PLANT X STATION - TOLK STATION WEST 230KV CKT 1
FDNS	06ALL	3	20SP	ASGI_14_002	TO->FROM	PLANT X STATION - TOLK STATION EAST 230KV CKT 2	478	502	0.36592	96.2	PLANT X STATION - TOLK STATION WEST 230KV CKT 1
FDNS	06ALL	3	20SP	ASGI_14_002	TO->FROM	PLANT X STATION - TOLK STATION WEST 230KV CKT 1	478	502	0.36923	97	PLANT X STATION - TOLK STATION EAST 230KV CKT 2
FDNS	06ALL	3	15SP	ASGI_14_002	FROM->TO	PLANT X STATION (WH ALM20171) 230/115/13.2KV TRANSFORMER CKT 1	252	252	0.11557	106.8107	NEWHART 230 - PLANT X STATION 230KV CKT 1
FDNS	06ALL	3	15SP	ASGI_14_002	FROM->TO	PLANT X STATION (WH ALM20171) 230/115/13.2KV TRANSFORMER CKT 1	252	252	0.08539	104.6633	LAMB COUNTY INTERCHANGE - TOLK STATION WEST 230KV CKT 1
FDNS	06ALL	3	15SP	ASGI_14_002	FROM->TO	PLANT X STATION (WH ALM20171) 230/115/13.2KV TRANSFORMER CKT 1	252	252	0.08539	104.6607	LAMB COUNTY INTERCHANGE (WH ALM20172) 230/115/13.2KV TRANSFORMER CKT 1
FDNS	06ALL	3	15SP	ASGI_14_002	FROM->TO	PLANT X STATION (WH ALM20171) 230/115/13.2KV TRANSFORMER CKT 1	252	252	0.08539	104.6607	SPP-SWPS-K37
FDNS	06ALL	3	15SP	ASGI_14_002	FROM->TO	PLANT X STATION (WH ALM20171) 230/115/13.2KV TRANSFORMER CKT 1	252	252	0.11557	104.1177	NEWHART 230 - PLANT X STATION 230KV CKT 1
FDNS	06ALL	3	15SP	ASGI_14_002	FROM->TO	PLANT X STATION (WH ALM20171) 230/115/13.2KV TRANSFORMER CKT 1	252	252	0.09488	102.2408	DEAF SMITH COUNTY INTERCHANGE - PLANT X STATION 230KV CKT 1
FDNS	06ALL	3	15SP	ASGI_14_002	FROM->TO	PLANT X STATION (WH ALM20171) 230/115/13.2KV TRANSFORMER CKT 1	252	252	0.08539	102.2229	LAMB COUNTY INTERCHANGE - TOLK STATION WEST 230KV CKT 1
FDNS	06ALL	3	15SP	ASGI_14_002	FROM->TO	PLANT X STATION (WH ALM20171) 230/115/13.2KV TRANSFORMER CKT 1	252	252	0.08539	102.2204	LAMB COUNTY INTERCHANGE (WH ALM20172) 230/115/13.2KV TRANSFORMER CKT 1
FDNS	06ALL	3	15SP	ASGI_14_002	FROM->TO	PLANT X STATION (WH ALM20171) 230/115/13.2KV TRANSFORMER CKT 1	252	252	0.08539	102.2204	SPP-SWPS-K37
FDNS	06ALL	3	15SP	ASGI_14_002	FROM->TO	PLANT X STATION (WH ALM20171) 230/115/13.2KV TRANSFORMER CKT 1	252	252	0.09488	99.5	DEAF SMITH COUNTY INTERCHANGE - PLANT X STATION 230KV CKT 1
FDNS	06ALL	3	15SP	ASGI_14_002	FROM->TO	PLANT X STATION (WH ALM20171) 230/115/13.2KV TRANSFORMER CKT 1	252	252	0.06978	95.4	GEN525493 1-PLANT X GEN #3
FDNS	06ALL	4	15G	ASGI_14_002	FROM->TO	CLEARWATER - GILL ENERGY CENTER WEST 138KV CKT 1	143	143	0.0332	100.3353	DBL-THIS-WIC
FDNS	06ALL	4	15G	ASGI_14_002	TO->FROM	CLEARWATER - MILAN TAP 138KV CKT 1	110	110	0.0332	139.9081	DBL-THIS-WIC
FDNS	06ALL	4	20WP	ASGI_14_002	TO->FROM	CLEARWATER - MILAN TAP 138KV CKT 1	110	110	0.03343	108.5249	DBL-THIS-WIC
FDNS	06ALL	4	15WP	ASGI_14_002	TO->FROM	CLEARWATER - MILAN TAP 138KV CKT 1	110	110	0.03343	106.1126	DBL-THIS-WIC
FDNS	06ALL	4	15SP	ASGI_14_002	TO->FROM	CLEARWATER - MILAN TAP 138KV CKT 1	110	110	0.03341	99.9	DBL-THIS-WIC
FDNS	06ALL	4	15SP	ASGI_14_002	FROM->TO	CURRY COUNTY INTERCHANGE - DEAF SMITH REC-#20 115KV CKT 1	96	96	0.12468	120.7303	DEAF SMITH COUNTY INTERCHANGE - PLANT X STATION 230KV CKT 1
FDNS	06ALL	4	20SP	ASGI_14_002	FROM->TO	CURRY COUNTY INTERCHANGE - DEAF SMITH REC-#20 115KV CKT 1	96	96	0.10807	104.6276	DEAF SMITH COUNTY INTERCHANGE - PLANT X STATION 230KV CKT 1
FDNS	06ALL	4	15SP	ASGI_14_002	FROM->TO	CURRY COUNTY INTERCHANGE - DEAF SMITH REC-#20 115KV CKT 1	96	96	0.11062	103.3913	LAWTON EASTSIDE - OKLAUNION 345KV CKT 1
FDNS	06ALL	4	15SP	ASGI_14_002	TO->FROM	DEAF SMITH COUNTY INTERCHANGE - PLANT X STATION 230KV CKT 1	319	351	0.16844	109.4404	LAWTON EASTSIDE - OKLAUNION 345KV CKT 1
FDNS	06ALL	4	15SP	ASGI_14_002	TO->FROM	DEAF SMITH COUNTY INTERCHANGE - PLANT X STATION 230KV CKT 1	319	351	0.18839	96.9	NEWHART 230 - PLANT X STATION 230KV CKT 1
FDNS	06ALL	4	15SP	ASGI_14_002	TO->FROM	DEAF SMITH COUNTY INTERCHANGE - PLANT X STATION 230KV CKT 1	319	351	0.16951	96.2	SPP-SWPS-01
FDNS	06ALL	4	15SP	ASGI_14_002	TO->FROM	DEAF SMITH COUNTY INTERCHANGE - PLANT X STATION 230KV CKT 1	319	351	0.16844	96	SPSCONT-01
FDNS	06ALL	4	15SP	ASGI_14_002	TO->FROM	DEAF SMITH COUNTY INTERCHANGE - PLANT X STATION 230KV CKT 1	319	351	0.16844	95.8	OKLAUNION - TUCO INTERCHANGE 345KV CKT 1
FDNS	06ALL	4	15SP	ASGI_14_002	FROM->TO	DEAF SMITH REC-#20 - PARMER COUNTY SUB 115KV CKT 1	96	96	0.12468	107.5483	DEAF SMITH COUNTY INTERCHANGE - PLANT X STATION 230KV CKT 1
FDNS	06ALL	4	15SP	ASGI_14_002	TO->FROM	DEAF SMITH REC-#24 - PARMER COUNTY SUB 115KV CKT 1	96	96	0.12468	99.8	DEAF SMITH COUNTY INTERCHANGE - PLANT X STATION 230KV CKT 1
FDNS	06ALL	4	20WP	ASGI_14_002	FROM->TO	EDDY_NORTH 6230.00 (WAUK WT01134) 230/115/13.2KV TRANSFORMER CKT 2	250	288	0.06698	103.4582	EDDY COUNTY INTERCHANGE - EDDY_NORTH 6230.00 230KV CKT @1
FDNS	06ALL	4	20WP	ASGI_14_002	FROM->TO	EDDY_NORTH 6230.00 (WAUK WT01134) 230/115/13.2KV TRANSFORMER CKT 2	250	288	0.06698	103.0362	EDDY COUNTY INTERCHANGE - EDDY_NORTH 6230.00 230KV CKT @1
FDNS	06ALL	4	25SP	ASGI_14_002	FROM->TO	EDDY_NORTH 6230.00 (WAUK WT01134) 230/115/13.2KV TRANSFORMER CKT 2	250	288	0.06786	101.949	EDDY COUNTY INTERCHANGE - EDDY_NORTH 6230.00 230KV CKT @1
FDNS	06ALL	4	25SP	ASGI_14_002	FROM->TO	EDDY_NORTH 6230.00 (WAUK WT01134) 230/115/13.2KV TRANSFORMER CKT 2	250	288	0.06786	100.3172	EDDY COUNTY INTERCHANGE - EDDY_NORTH 6230.00 230KV CKT @1

SOLUTION	GROUP	SCENARIO	SEASON	SOURCE	DIRECTION	MONITORED ELEMENT	RATEA (MVA)	RATEB (MVA)	TC%LOADING TDF	CONTINGENCY	
FDNS	06ALL		4 15WP	ASGI_14_002	FROM->TO	EDDY_NORTH 6230.00 (WAUK WT01134) 230/115/13.2KV TRANSFORMER CKT 2	250	288	0.04462	96.8	EDDY COUNTY INTERCHANGE - EDDY_NORTH 6230.00 230KV CKT @1
FDNS	06ALL		4 15WP	ASGI_14_002	FROM->TO	EDDY_NORTH 6230.00 (WAUK WT01134) 230/115/13.2KV TRANSFORMER CKT 2	250	288	0.04462	96.7	EDDY COUNTY INTERCHANGE - EDDY_NORTH 6230.00 230KV CKT @1
FDNS	06ALL		4 15G	ASGI_14_002	FROM->TO	ELK CITY 230KV (ELKCTY-6) 230/138/13.8KV TRANSFORMER CKT 1	287	316	0.11475	106.8002	LAWTON EASTSIDE - OKLAUNION 345KV CKT 1
FDNS	06ALL		4 15G	ASGI_14_002	FROM->TO	ELK CITY 230KV (ELKCTY-6) 230/138/13.8KV TRANSFORMER CKT 1	287	316	0.11475	104.9708	LAWTON EASTSIDE - OKLAUNION 345KV CKT 1
FDNS	06ALL		4 15SP	ASGI_14_002	FROM->TO	ELK CITY 230KV (ELKCTY-6) 230/138/13.8KV TRANSFORMER CKT 1	272	316	0.12283	100.0245	LAWTON EASTSIDE - OKLAUNION 345KV CKT 1
FDNS	06ALL		4 15WP	ASGI_14_002	FROM->TO	ELK CITY 230KV (ELKCTY-6) 230/138/13.8KV TRANSFORMER CKT 1	287	316	0.12631	99.80477	LAWTON EASTSIDE - OKLAUNION 345KV CKT 1
FDNS	06ALL		4 15SP	ASGI_14_002	FROM->TO	ELK CITY 230KV (ELKCTY-6) 230/138/13.8KV TRANSFORMER CKT 1	272	316	0.12283	98.59045	LAWTON EASTSIDE - OKLAUNION 345KV CKT 1
FDNS	06ALL		4 15WP	ASGI_14_002	FROM->TO	ELK CITY 230KV (ELKCTY-6) 230/138/13.8KV TRANSFORMER CKT 1	287	316	0.12631	98.40416	LAWTON EASTSIDE - OKLAUNION 345KV CKT 1
FDNS	06ALL		4 15G	ASGI_14_002	FROM->TO	ELK CITY 230KV (ELKCTY-6) 230/138/13.8KV TRANSFORMER CKT 1	287	316	0.11475	97.5	SPSCONT-01
FDNS	06ALL		4 15G	ASGI_14_002	FROM->TO	ELK CITY 230KV (ELKCTY-6) 230/138/13.8KV TRANSFORMER CKT 1	287	316	0.11531	96.7	SPP-SWPS-01
FDNS-CHECK-TC-Iteration Limit Exceeded.	06ALL		4 15G	ASGI_14_002	FROM->TO	ELK CITY 230KV (ELKCTY-6) 230/138/13.8KV TRANSFORMER CKT 1	287	316	0.10229	96.7	DBL-G1114-WW
FDNS	06ALL		4 15G	ASGI_14_002	FROM->TO	ELK CITY 230KV (ELKCTY-6) 230/138/13.8KV TRANSFORMER CKT 1	287	316	0.11475	96.5	SPSCONT-01
FDNS	06ALL		4 15G	ASGI_14_002	FROM->TO	ELK CITY 230KV (ELKCTY-6) 230/138/13.8KV TRANSFORMER CKT 1	287	316	0.11475	96.4	OKLAUNION - TUCO INTERCHANGE 345KV CKT 1
FDNS	06ALL		4 15G	ASGI_14_002	FROM->TO	ELK CITY 230KV (ELKCTY-6) 230/138/13.8KV TRANSFORMER CKT 1	287	316	0.10229	95.6	DBL-BVR-G111
FDNS-CHECK-TC-Iteration Limit Exceeded.	06ALL		4 15G	ASGI_14_002	FROM->TO	ELK CITY 230KV (ELKCTY-6) 230/138/13.8KV TRANSFORMER CKT 1	287	316	0.10229	95.6	DBL-G1114-WW
FDNS	06ALL		4 15G	ASGI_14_002	FROM->TO	ELK CITY 230KV (ELKCTY-6) 230/138/13.8KV TRANSFORMER CKT 1	287	316	0.11531	95.5	SPP-SWPS-01
FDNS	06ALL		4 15G	ASGI_14_002	FROM->TO	ELK CITY 230KV (ELKCTY-6) 230/138/13.8KV TRANSFORMER CKT 1	287	316	0.11475	95.3	OKLAUNION - TUCO INTERCHANGE 345KV CKT 1
FDNS	06ALL		4 15SP	ASGI_14_002	TO->FROM	FLATRDG3 - THISTLE4 138.00 138KV CKT 1	286	286	0.04805	98.1	DBL-THIS-WIC
FDNS	06ALL		4 15G	ASGI_14_002	TO->FROM	FPL SWITCH - WOODWARD 138KV CKT 1	133	153	0.0457	161.139	NORTHWEST - TATONGA7 345.00 345KV CKT 1
FDNS	06ALL		4 15G	ASGI_14_002	TO->FROM	FPL SWITCH - WOODWARD 138KV CKT 1	133	153	0.05363	159.4606	DBL-THIS-WWR
FDNS	06ALL		4 15G	ASGI_14_002	TO->FROM	FPL SWITCH - WOODWARD 138KV CKT 1	133	153	0.0457	157.7752	SPSCONT-05B
FDNS	06ALL		4 15G	ASGI_14_002	TO->FROM	FPL SWITCH - WOODWARD 138KV CKT 1	133	153	0.0457	157.1729	SPSCONT-04
FDNS	06ALL		4 15G	ASGI_14_002	TO->FROM	FPL SWITCH - WOODWARD 138KV CKT 1	133	153	0.04311	154.0712	DBL-THIS-WIC
FDNS	06ALL		4 15G	ASGI_14_002	TO->FROM	FPL SWITCH - WOODWARD 138KV CKT 1	133	153	0.04652	152.6468	LAWTON EASTSIDE - OKLAUNION 345KV CKT 1
FDNS	06ALL		4 15G	ASGI_14_002	TO->FROM	FPL SWITCH - WOODWARD 138KV CKT 1	133	153	0.0457	147.5252	G11_051T 345.00 - TATONGA7 345.00 345KV CKT 1
FDNS	06ALL		4 15G	ASGI_14_002	TO->FROM	FPL SWITCH - WOODWARD 138KV CKT 1	133	153	0.0457	146.2378	G11_051T 345.00 - WOODWARD DISTRICT EHV 345KV CKT 1
FDNS	06ALL		4 15G	ASGI_14_002	TO->FROM	FPL SWITCH - WOODWARD 138KV CKT 1	133	153	0.03191	143.417	WOODWARD (WOODWRD2) 138/69/13.2KV TRANSFORMER CKT 1
FDNS	06ALL		4 15G	ASGI_14_002	TO->FROM	FPL SWITCH - WOODWARD 138KV CKT 1	133	153	0.0457	143.0315	SPSCONT-05AX
FDNS	06ALL		4 15G	ASGI_14_002	TO->FROM	FPL SWITCH - WOODWARD 138KV CKT 1	133	153	0.04209	142.1867	ELK CITY 230KV - SWEETWATER 230KV CKT 1
FDNS	06ALL		4 15G	ASGI_14_002	TO->FROM	FPL SWITCH - WOODWARD 138KV CKT 1	133	153	0.04209	142.1522	ELK CITY 230KV (ELKCTY-6) 230/138/13.8KV TRANSFORMER CKT 1
FDNS	06ALL		4 15G	ASGI_14_002	TO->FROM	FPL SWITCH - WOODWARD 138KV CKT 1	133	153	0.04652	141.5408	SPSCONT-01
FDNS	06ALL		4 15G	ASGI_14_002	TO->FROM	FPL SWITCH - WOODWARD 138KV CKT 1	133	153	0.04231	139.7718	SPP-SWPS-03
FDNS	06ALL		4 15G	ASGI_14_002	TO->FROM	FPL SWITCH - WOODWARD 138KV CKT 1	133	153	0.04652	139.4068	OKLAUNION - TUCO INTERCHANGE 345KV CKT 1
FDNS	06ALL		4 15G	ASGI_14_002	TO->FROM	FPL SWITCH - WOODWARD 138KV CKT 1	133	153	0.04633	139.2189	SPP-SWPS-01
FDNS	06ALL		4 15G	ASGI_14_002	TO->FROM	FPL SWITCH - WOODWARD 138KV CKT 1	133	153	0.04209	138.5807	SPP-SWPS-02A
FDNS	06ALL		4 15G	ASGI_14_002	TO->FROM	FPL SWITCH - WOODWARD 138KV CKT 1	133	153	0.04209	138.419	GRAPEVINE INTERCHANGE - STATELINE INTERCHANGE 230KV CKT 1
FDNS	06ALL		4 15G	ASGI_14_002	TO->FROM	FPL SWITCH - WOODWARD 138KV CKT 1	133	153	0.03395	137.3554	IODINE - WOODWARD EHV 138KV CKT 1
FDNS	06ALL		4 15G	ASGI_14_002	TO->FROM	FPL SWITCH - WOODWARD 138KV CKT 1	133	153	0.03395	135.3142	DEWEY - IODINE 138KV CKT 1
FDNS	06ALL		4 15G	ASGI_14_002	TO->FROM	FPL SWITCH - WOODWARD 138KV CKT 1	133	153	0.04209	132.9488	STATELINE INTERCHANGE - STLN-DEMARC6 230KV CKT 1
FDNS	06ALL		4 15G	ASGI_14_002	TO->FROM	FPL SWITCH - WOODWARD 138KV CKT 1	133	153	0.04209	132.9455	SPP-SWPS-02
FDNS	06ALL		4 15G	ASGI_14_002	TO->FROM	FPL SWITCH - WOODWARD 138KV CKT 1	133	153	0.04209	132.9341	STLN-DEMARC6 - SWEETWATER 230KV CKT 1
FDNS	06ALL		4 15G	ASGI_14_002	TO->FROM	FPL SWITCH - WOODWARD 138KV CKT 1	133	153	0.03461	130.4008	GRAPEVINE INTERCHANGE - NICHOLS STATION 230KV CKT 1
FDNS	06ALL		4 15G	ASGI_14_002	TO->FROM	FPL SWITCH - WOODWARD 138KV CKT 1	133	153	0.03191	130.0269	WOODWARD - WOODWARD 69KV CKT 1
FDNS	06ALL		4 15G	ASGI_14_002	TO->FROM	FPL SWITCH - WOODWARD 138KV CKT 1	133	153	0.03467	126.1489	THISTLE7 345.00 - WOODWARD DISTRICT EHV 345KV CKT 1
FDNS	06ALL		4 15G	ASGI_14_002	TO->FROM	FPL SWITCH - WOODWARD 138KV CKT 1	133	153	0.03467	126.1489	THISTLE7 345.00 - WOODWARD DISTRICT EHV 345KV CKT 2
FDNS	06ALL		4 15G	ASGI_14_002	TO->FROM	FPL SWITCH - WOODWARD 138KV CKT 1	133	153	0.03427	124.4764	FINNEY SWITCHING STATION - HOLCOMB 345KV CKT 1
FDNS	06ALL		4 15G	ASGI_14_002	TO->FROM	FPL SWITCH - WOODWARD 138KV CKT 1	133	153	0.03177	124.1911	THISTLE7 345.00 - WICHITA 345KV CKT 1
FDNS	06ALL		4 15G	ASGI_14_002	TO->FROM	FPL SWITCH - WOODWARD 138KV CKT 1	133	153	0.03177	124.1911	THISTLE7 345.00 - WICHITA 345KV CKT 2
FDNS	06ALL		4 15G	ASGI_14_002	TO->FROM	FPL SWITCH - WOODWARD 138KV CKT 1	133	153	0.03427	123.2349	SPP-SWPS-05
FDNS	06ALL		4 15G	ASGI_14_002	TO->FROM	FPL SWITCH - WOODWARD 138KV CKT 1	133	153	0.03427	123.1767	FINNEY SWITCHING STATION - Hitchland Interchange 345KV CKT 1
FDNS	06ALL		4 15G	ASGI_14_002	TO->FROM	FPL SWITCH - WOODWARD 138KV CKT 1	133	153	0.03167	120.7359	ELLIS 4 138.00 - RED HILLS WIND 138KV CKT 1
FDNS	06ALL		4 15G	ASGI_14_002	TO->FROM	FPL SWITCH - WOODWARD 138KV CKT 1	133	153	0.03167	118.208	ELLIS 4 138.00 - MOREWOOD SW 138KV CKT 1
FDNS	06ALL		4 15SP	ASGI_14_002	TO->FROM	FPL SWITCH - WOODWARD 138KV CKT 1	133	153	0.05681	111.727	DBL-THIS-WWR
FDNS	06ALL		4 15G	ASGI_14_002	TO->FROM	FPL SWITCH - WOODWARD 138KV CKT 1	133	153	0.03167	106.2134	ELK CITY - RED HILLS WIND 138KV CKT 1
FDNS	06ALL		4 15SP	ASGI_14_002	TO->FROM	FPL SWITCH - WOODWARD 138KV CKT 1	133	153	0.04858	105.3474	NORTHWEST - TATONGA7 345.00 345KV CKT 1
FDNS	06ALL		4 15SP	ASGI_14_002	TO->FROM	FPL SWITCH - WOODWARD 138KV CKT 1	133	153	0.04946	104.7642	LAWTON EASTSIDE - OKLAUNION 345KV CKT 1
FDNS	06ALL		4 15SP	ASGI_14_002	TO->FROM	FPL SWITCH - WOODWARD 138KV CKT 1	133	153	0.04858	102.5806	SPSCONT-05B
FDNS	06ALL		4 15SP	ASGI_14_002	TO->FROM	FPL SWITCH - WOODWARD 138KV CKT 1	133	153	0.04858	101.4405	SPSCONT-04
FDNS	06ALL		4 15SP	ASGI_14_002	TO->FROM	FPL SWITCH - WOODWARD 138KV CKT 1	133	153	0.04598	100.7966	DBL-THIS-WIC
FDNS	06ALL		4 15SP	ASGI_14_002	TO->FROM	FPL SWITCH - WOODWARD 138KV CKT 1	133	153	0.03516	97.7	WOODWARD (WOODWRD2) 138/69/13.2KV TRANSFORMER CKT 1
FDNS	06ALL		4 20WP	ASGI_14_002	TO->FROM	FPL SWITCH - WOODWARD 138KV CKT 1	171	185	0.05175	96.7	NORTHWEST - TATONGA7 345.00 345KV CKT 1
FDNS	06ALL		4 20WP	ASGI_14_002	TO->FROM	FPL SWITCH - WOODWARD 138KV CKT 1	171	185	0.0608	96	DBL-THIS-WWR

SOLUTION	GROUP	SCENARIO	SEASON	SOURCE	DIRECTION	MONITORED ELEMENT	RATEA (MVA)	RATEB (MVA)	TDF	TC%LOADING (% MVA)	CONTINGENCY
FDNS	06ALL	4	15G	ASGI_14_002	TO->FROM	GRAPEVINE INTERCHANGE - NICHOLS STATION 230KV CKT 1	319	351	0.10302	104.2251	LAWTON EASTSIDE - OKLAUNION 345KV CKT 1
FDNS	06ALL	4	20WP	ASGI_14_002	TO->FROM	GRAPEVINE INTERCHANGE - NICHOLS STATION 230KV CKT 1	329	361	0.13411	102.6177	LAWTON EASTSIDE - OKLAUNION 345KV CKT 1
FDNS	06ALL	4	15SP	ASGI_14_002	TO->FROM	GRAPEVINE INTERCHANGE - NICHOLS STATION 230KV CKT 1	319	351	0.10451	99.55219	LAWTON EASTSIDE - OKLAUNION 345KV CKT 1
FDNS	06ALL	4	15G	ASGI_14_002	FROM->TO	GRAPEVINE INTERCHANGE - STATELINE INTERCHANGE 230KV CKT 1	319	351	0.11475	96.19302	LAWTON EASTSIDE - OKLAUNION 345KV CKT 1
FDNS	06ALL	4	15G	ASGI_14_002	FROM->TO	HARPER - MILAN TAP 138KV CKT 1	138	143	0.0332	116.387	DBL-THIS-WIC
FDNS	06ALL	4	15SP	ASGI_14_002	FROM->TO	HARPER - MILAN TAP 138KV CKT 1	127	136	0.03341	104.4151	DBL-THIS-WIC
FDNS	06ALL	4	15WP	ASGI_14_002	FROM->TO	HARPER - MILAN TAP 138KV CKT 1	143	143	0.03343	102.7046	DBL-THIS-WIC
FDNS	06ALL	4	15SP	ASGI_14_002	FROM->TO	PLANT X STATION (WH ALM20171) 230/115/13.2KV TRANSFORMER CKT 1	252	252	0.11557	106.8107	NEWHART 230 - PLANT X STATION 230KV CKT 1
FDNS	06ALL	4	15SP	ASGI_14_002	FROM->TO	PLANT X STATION (WH ALM20171) 230/115/13.2KV TRANSFORMER CKT 1	252	252	0.08539	104.6633	LAMB COUNTY INTERCHANGE - TOLK STATION WEST 230KV CKT 1
FDNS	06ALL	4	15SP	ASGI_14_002	FROM->TO	PLANT X STATION (WH ALM20171) 230/115/13.2KV TRANSFORMER CKT 1	252	252	0.08539	104.6607	LAMB COUNTY INTERCHANGE (WH ALM20172) 230/115/13.2KV TRANSFORMER CKT 1
FDNS	06ALL	4	15SP	ASGI_14_002	FROM->TO	PLANT X STATION (WH ALM20171) 230/115/13.2KV TRANSFORMER CKT 1	252	252	0.08539	104.6607	SPP-SWPS-K37
FDNS	06ALL	4	15SP	ASGI_14_002	FROM->TO	PLANT X STATION (WH ALM20171) 230/115/13.2KV TRANSFORMER CKT 1	252	252	0.11557	104.1177	NEWHART 230 - PLANT X STATION 230KV CKT 1
FDNS	06ALL	4	15SP	ASGI_14_002	FROM->TO	PLANT X STATION (WH ALM20171) 230/115/13.2KV TRANSFORMER CKT 1	252	252	0.09488	102.241	DEAF SMITH COUNTY INTERCHANGE - PLANT X STATION 230KV CKT 1
FDNS	06ALL	4	15SP	ASGI_14_002	FROM->TO	PLANT X STATION (WH ALM20171) 230/115/13.2KV TRANSFORMER CKT 1	252	252	0.08539	102.223	LAMB COUNTY INTERCHANGE - TOLK STATION WEST 230KV CKT 1
FDNS	06ALL	4	15SP	ASGI_14_002	FROM->TO	PLANT X STATION (WH ALM20171) 230/115/13.2KV TRANSFORMER CKT 1	252	252	0.08539	102.2204	LAMB COUNTY INTERCHANGE (WH ALM20172) 230/115/13.2KV TRANSFORMER CKT 1
FDNS	06ALL	4	15SP	ASGI_14_002	FROM->TO	PLANT X STATION (WH ALM20171) 230/115/13.2KV TRANSFORMER CKT 1	252	252	0.08539	102.2204	SPP-SWPS-K37
FDNS	06ALL	4	15SP	ASGI_14_002	FROM->TO	PLANT X STATION (WH ALM20171) 230/115/13.2KV TRANSFORMER CKT 1	252	252	0.09488	99.5	DEAF SMITH COUNTY INTERCHANGE - PLANT X STATION 230KV CKT 1
FDNS	06ALL	4	15SP	ASGI_14_002	FROM->TO	PLANT X STATION (WH ALM20171) 230/115/13.2KV TRANSFORMER CKT 1	252	252	0.06978	95.4	GEN525493 1-PLANT X GEN #3
FDNS	06ALL	0	15G	ASGI_14_005	FROM->TO	CLEARWATER - GILL ENERGY CENTER WEST 138KV CKT 1	143	143	0.03296	100.5453	DBL-THIS-WIC
FDNS	06ALL	0	15G	ASGI_14_005	TO->FROM	CLEARWATER - MILAN TAP 138KV CKT 1	110	110	0.03296	140.1877	DBL-THIS-WIC
FDNS	06ALL	0	20WP	ASGI_14_005	TO->FROM	CLEARWATER - MILAN TAP 138KV CKT 1	110	110	0.03271	108.6601	DBL-THIS-WIC
FDNS	06ALL	0	15WP	ASGI_14_005	TO->FROM	CLEARWATER - MILAN TAP 138KV CKT 1	110	110	0.03321	106.268	DBL-THIS-WIC
FDNS	06ALL	0	15SP	ASGI_14_005	TO->FROM	CLEARWATER - MILAN TAP 138KV CKT 1	110	110	0.03319	100.0707	DBL-THIS-WIC
FDNS	06ALL	0	15SP	ASGI_14_005	FROM->TO	CURRY COUNTY INTERCHANGE - DEAF SMITH REC-#20 115KV CKT 1	96	96	0.06319	123.5747	DEAF SMITH COUNTY INTERCHANGE - PLANT X STATION 230KV CKT 1
FDNS	06ALL	0	20SP	ASGI_14_005	FROM->TO	CURRY COUNTY INTERCHANGE - DEAF SMITH REC-#20 115KV CKT 1	96	96	0.0458	106.7874	DEAF SMITH COUNTY INTERCHANGE - PLANT X STATION 230KV CKT 1
FDNS	06ALL	0	15SP	ASGI_14_005	FROM->TO	CURRY COUNTY INTERCHANGE - DEAF SMITH REC-#20 115KV CKT 1	96	96	0.04674	105.8568	LAWTON EASTSIDE - OKLAUNION 345KV CKT 1
FDNS	06ALL	0	15SP	ASGI_14_005	FROM->TO	CURRY COUNTY INTERCHANGE - DEAF SMITH REC-#20 115KV CKT 1	96	96	0.04718	97.6	SPP-SWPS-01
FDNS	06ALL	0	15SP	ASGI_14_005	FROM->TO	CURRY COUNTY INTERCHANGE - DEAF SMITH REC-#20 115KV CKT 1	96	96	0.04674	97.3	SPSCONT-01
FDNS	06ALL	0	15SP	ASGI_14_005	FROM->TO	CURRY COUNTY INTERCHANGE - DEAF SMITH REC-#20 115KV CKT 1	96	96	0.04674	97.2	OKLAUNION - TUCO INTERCHANGE 345KV CKT 1
FDNS	06ALL	0	15SP	ASGI_14_005	FROM->TO	CURRY COUNTY INTERCHANGE - DEAF SMITH REC-#20 115KV CKT 1	96	96	0.04814	96.1	NEWHART 230 - PLANT X STATION 230KV CKT 1
FDNS	06ALL	0	25SP	ASGI_14_005	FROM->TO	CURRY COUNTY INTERCHANGE - DEAF SMITH REC-#20 115KV CKT 1	96	96	0.04622	95.6	DEAF SMITH COUNTY INTERCHANGE - PLANT X STATION 230KV CKT 1
FDNS	06ALL	0	15SP	ASGI_14_005	TO->FROM	DEAF SMITH COUNTY INTERCHANGE - PLANT X STATION 230KV CKT 1	319	351	0.18599	109.7585	LAWTON EASTSIDE - OKLAUNION 345KV CKT 1
FDNS	06ALL	0	15SP	ASGI_14_005	TO->FROM	DEAF SMITH COUNTY INTERCHANGE - PLANT X STATION 230KV CKT 1	319	351	0.2012	97.5	NEWHART 230 - PLANT X STATION 230KV CKT 1
FDNS	06ALL	0	15SP	ASGI_14_005	TO->FROM	DEAF SMITH COUNTY INTERCHANGE - PLANT X STATION 230KV CKT 1	319	351	0.18857	96.9	SPP-SWPS-01
FDNS	06ALL	0	15SP	ASGI_14_005	TO->FROM	DEAF SMITH COUNTY INTERCHANGE - PLANT X STATION 230KV CKT 1	319	351	0.18599	96.3	SPSCONT-01
FDNS	06ALL	0	15SP	ASGI_14_005	TO->FROM	DEAF SMITH COUNTY INTERCHANGE - PLANT X STATION 230KV CKT 1	319	351	0.18599	96.1	OKLAUNION - TUCO INTERCHANGE 345KV CKT 1
FDNS	06ALL	0	15SP	ASGI_14_005	FROM->TO	DEAF SMITH REC-#20 - PARMER COUNTY SUB 115KV CKT 1	96	96	0.06319	110.3575	DEAF SMITH COUNTY INTERCHANGE - PLANT X STATION 230KV CKT 1
FDNS	06ALL	0	15SP	ASGI_14_005	TO->FROM	DEAF SMITH REC-#24 - PARMER COUNTY SUB 115KV CKT 1	96	96	0.06319	102.2169	DEAF SMITH COUNTY INTERCHANGE - PLANT X STATION 230KV CKT 1
FDNS	06ALL	0	15G	ASGI_14_005	FROM->TO	ELK CITY 230KV (ELKCTY-6) 230/138/13.8KV TRANSFORMER CKT 1	287	316	0.11324	107.0627	LAWTON EASTSIDE - OKLAUNION 345KV CKT 1
FDNS	06ALL	0	15G	ASGI_14_005	FROM->TO	ELK CITY 230KV (ELKCTY-6) 230/138/13.8KV TRANSFORMER CKT 1	287	316	0.11324	105.2129	LAWTON EASTSIDE - OKLAUNION 345KV CKT 1
FDNS	06ALL	0	15SP	ASGI_14_005	FROM->TO	ELK CITY 230KV (ELKCTY-6) 230/138/13.8KV TRANSFORMER CKT 1	272	316	0.12133	100.158	LAWTON EASTSIDE - OKLAUNION 345KV CKT 1
FDNS	06ALL	0	15WP	ASGI_14_005	FROM->TO	ELK CITY 230KV (ELKCTY-6) 230/138/13.8KV TRANSFORMER CKT 1	287	316	0.12479	100.0101	LAWTON EASTSIDE - OKLAUNION 345KV CKT 1
FDNS	06ALL	0	15SP	ASGI_14_005	FROM->TO	ELK CITY 230KV (ELKCTY-6) 230/138/13.8KV TRANSFORMER CKT 1	272	316	0.12133	98.72061	LAWTON EASTSIDE - OKLAUNION 345KV CKT 1
FDNS	06ALL	0	15WP	ASGI_14_005	FROM->TO	ELK CITY 230KV (ELKCTY-6) 230/138/13.8KV TRANSFORMER CKT 1	287	316	0.12479	98.59541	LAWTON EASTSIDE - OKLAUNION 345KV CKT 1
FDNS	06ALL	0	15G	ASGI_14_005	FROM->TO	ELK CITY 230KV (ELKCTY-6) 230/138/13.8KV TRANSFORMER CKT 1	287	316	0.09989	98.1	DBL-G1114-WW
FDNS	06ALL	0	15G	ASGI_14_005	FROM->TO	ELK CITY 230KV (ELKCTY-6) 230/138/13.8KV TRANSFORMER CKT 1	287	316	0.11324	97.8	SPSCONT-01
FDNS	06ALL	0	15G	ASGI_14_005	FROM->TO	ELK CITY 230KV (ELKCTY-6) 230/138/13.8KV TRANSFORMER CKT 1	287	316	0.11499	97.7	SPP-SWPS-01
FDNS	06ALL	0	15G	ASGI_14_005	FROM->TO	ELK CITY 230KV (ELKCTY-6) 230/138/13.8KV TRANSFORMER CKT 1	287	316	0.09989	96.9	DBL-BVR-G111
FDNS	06ALL	0	15G	ASGI_14_005	FROM->TO	ELK CITY 230KV (ELKCTY-6) 230/138/13.8KV TRANSFORMER CKT 1	287	316	0.09989	96.8	DBL-G1114-WW
FDNS	06ALL	0	15G	ASGI_14_005	FROM->TO	ELK CITY 230KV (ELKCTY-6) 230/138/13.8KV TRANSFORMER CKT 1	287	316	0.11324	96.7	SPSCONT-01
FDNS	06ALL	0	15G	ASGI_14_005	FROM->TO	ELK CITY 230KV (ELKCTY-6) 230/138/13.8KV TRANSFORMER CKT 1	287	316	0.11499	96.6	SPP-SWPS-01
FDNS	06ALL	0	15G	ASGI_14_005	FROM->TO	ELK CITY 230KV (ELKCTY-6) 230/138/13.8KV TRANSFORMER CKT 1	287	316	0.11324	96.5	OKLAUNION - TUCO INTERCHANGE 345KV CKT 1
FDNS	06ALL	0	15G	ASGI_14_005	FROM->TO	ELK CITY 230KV (ELKCTY-6) 230/138/13.8KV TRANSFORMER CKT 1	287	316	0.09989	95.7	DBL-BVR-G111
FDNS	06ALL	0	15G	ASGI_14_005	FROM->TO	ELK CITY 230KV (ELKCTY-6) 230/138/13.8KV TRANSFORMER CKT 1	287	316	0.11324	95.3	OKLAUNION - TUCO INTERCHANGE 345KV CKT 1
FDNS	06ALL	0	15SP	ASGI_14_005	TO->FROM	FLATRDRG3 - THISTLE4 138.00 138KV CKT 1	286	286	0.04782	98.2	DBL-THIS-WIC
FDNS	06ALL	0	15G	ASGI_14_005	TO->FROM	FPL SWITCH - WOODWARD 138KV CKT 1	133	153	0.04543	161.177	NORTHWEST - TATONGA7 345.00 345KV CKT 1
FDNS	06ALL	0	15G	ASGI_14_005	TO->FROM	FPL SWITCH - WOODWARD 138KV CKT 1	133	153	0.05347	159.4244	DBL-THIS-WWR
FDNS	06ALL	0	15G	ASGI_14_005	TO->FROM	FPL SWITCH - WOODWARD 138KV CKT 1	133	153	0.04543	157.7992	SPSCONT-05B
FDNS	06ALL	0	15G	ASGI_14_005	TO->FROM	FPL SWITCH - WOODWARD 138KV CKT 1	133	153	0.04543	157.271	SPSCONT-04
FDNS	06ALL	0	15G	ASGI_14_005	TO->FROM	FPL SWITCH - WOODWARD 138KV CKT 1	133	153	0.0429	154.1519	DBL-THIS-WIC
FDNS	06ALL	0	15G	ASGI_14_005	TO->FROM	FPL SWITCH - WOODWARD 138KV CKT 1	133	153	0.04694	152.6111	LAWTON EASTSIDE - OKLAUNION 345KV CKT 1
FDNSLock	06ALL	0	15G	ASGI_14_005	TO->FROM	FPL SWITCH - WOODWARD 138KV CKT 1	133	153	0.04543	147.3779	G11_051T 345.00 - TATONGA7 345.00 345KV CKT 1
FDNS	06ALL	0	15G	ASGI_14_005	TO->FROM	FPL SWITCH - WOODWARD 138KV CKT 1	133	153	0.04543	146.4061	G11_051T 345.00 - WOODWARD DISTRICT EHV 345KV CKT 1
FDNS	06ALL	0	15G	ASGI_14_005	TO->FROM	FPL SWITCH - WOODWARD 138KV CKT 1	133	153	0.03179	143.416	WOODWARD (WOODWRD2) 138/69/13.2KV TRANSFORMER CKT 1
FDNS	06ALL	0	15G	ASGI_14_005	TO->FROM	FPL SWITCH - WOODWARD 138KV CKT 1	133	153	0.04543	143.1258	SPSCONT-05AX
FDNS	06ALL	0	15G	ASGI_14_005	TO->FROM	FPL SWITCH - WOODWARD 138KV CKT 1	133	153	0.04166	142.5155	ELK CITY 230KV - SWEETWATER 230KV CKT 1
FDNS	06ALL	0	15G	ASGI_14_005	TO->FROM	FPL SWITCH - WOODWARD 138KV CKT 1	133	153	0.04166	142.4842	ELK CITY 230KV (ELKCTY-6) 230/138/13.8KV TRANSFORMER CKT 1
FDNS	06ALL	0	15G	ASGI_14_005	TO->FROM	FPL SWITCH - WOODWARD 138KV CKT 1	133	153	0.04694	141.4059	SPSCONT-01
FDNS	06ALL	0	15G	ASGI_14_005	TO->FROM	FPL SWITCH - WOODWARD 138KV CKT 1	133	153	0.04188	140.0428	SPP-SWPS-03
FDNS	06ALL	0	15G	ASGI_14_005	TO->FROM	FPL SWITCH - WOODWARD 138KV CKT 1	133	153	0.04694	139.1883	OKLAUNION - TUCO INTERCHANGE 345KV CKT 1
FDNS	06ALL	0	15G	ASGI_14_005	TO->FROM	FPL SWITCH - WOODWARD 138KV CKT 1	133	153	0.04166	138.8333	SPP-SWPS-02A
FDNS	06ALL	0	15G	ASGI_14_005	TO->FROM	FPL SWITCH - WOODWARD 138KV CKT 1	133	153	0.04166	138.6923	GRAPEVINE INTERCHANGE - STATELINE INTERCHANGE 230KV CKT 1

SOLUTION	GROUP	SCENARIO	SEASON	SOURCE	DIRECTION	MONITORED ELEMENT	RATEA (MVA)	RATEB(MVA)	TC%LOADING TDF (% MVA)	CONTINGENCY	
FDNS	06ALL	0	15G	ASGI_14_005	TO->FROM	FPL SWITCH - WOODWARD 138KV CKT 1	133	153	0.04635	138.6877	SPP-SWPS-01
FDNS	06ALL	0	15G	ASGI_14_005	TO->FROM	FPL SWITCH - WOODWARD 138KV CKT 1	133	153	0.0338	137.3732	IODINE - WOODWARD EHV 138KV CKT 1
FDNS	06ALL	0	15G	ASGI_14_005	TO->FROM	FPL SWITCH - WOODWARD 138KV CKT 1	133	153	0.0338	135.335	DEWEY - IODINE 138KV CKT 1
FDNS	06ALL	0	15G	ASGI_14_005	TO->FROM	FPL SWITCH - WOODWARD 138KV CKT 1	133	153	0.04166	133.3058	STATELINE INTERCHANGE - STLN-DEMARC6 230KV CKT 1
FDNS	06ALL	0	15G	ASGI_14_005	TO->FROM	FPL SWITCH - WOODWARD 138KV CKT 1	133	153	0.04166	133.0811	SPP-SWPS-02
FDNS	06ALL	0	15G	ASGI_14_005	TO->FROM	FPL SWITCH - WOODWARD 138KV CKT 1	133	153	0.04166	133.0154	STLN-DEMARC6 - SWEETWATER 230KV CKT 1
FDNS	06ALL	0	15G	ASGI_14_005	TO->FROM	FPL SWITCH - WOODWARD 138KV CKT 1	133	153	0.03436	130.54	GRAPEVINE INTERCHANGE - NICHOLS STATION 230KV CKT 1
FDNS	06ALL	0	15G	ASGI_14_005	TO->FROM	FPL SWITCH - WOODWARD 138KV CKT 1	133	153	0.03179	130.0405	WOODWARD - WOODWARD 69KV CKT 1
FDNS	06ALL	0	15G	ASGI_14_005	TO->FROM	FPL SWITCH - WOODWARD 138KV CKT 1	133	153	0.03455	126.126	THISTLE7 345.00 - WOODWARD DISTRICT EHV 345KV CKT 1
FDNS	06ALL	0	15G	ASGI_14_005	TO->FROM	FPL SWITCH - WOODWARD 138KV CKT 1	133	153	0.03455	126.126	THISTLE7 345.00 - WOODWARD DISTRICT EHV 345KV CKT 2
FDNS	06ALL	0	15G	ASGI_14_005	TO->FROM	FPL SWITCH - WOODWARD 138KV CKT 1	133	153	0.03408	124.5649	FINNEY SWITCHING STATION - HOLCOMB 345KV CKT 1
FDNS	06ALL	0	15G	ASGI_14_005	TO->FROM	FPL SWITCH - WOODWARD 138KV CKT 1	133	153	0.03164	124.1871	THISTLE7 345.00 - WICHITA 345KV CKT 1
FDNS	06ALL	0	15G	ASGI_14_005	TO->FROM	FPL SWITCH - WOODWARD 138KV CKT 1	133	153	0.03164	124.1871	THISTLE7 345.00 - WICHITA 345KV CKT 2
FDNS	06ALL	0	15G	ASGI_14_005	TO->FROM	FPL SWITCH - WOODWARD 138KV CKT 1	133	153	0.03408	123.3196	SPP-SWPS-05
FDNS	06ALL	0	15G	ASGI_14_005	TO->FROM	FPL SWITCH - WOODWARD 138KV CKT 1	133	153	0.03408	123.2614	FINNEY SWITCHING STATION - Hitchland Interchange 345KV CKT 1
FDNS	06ALL	0	15G	ASGI_14_005	TO->FROM	FPL SWITCH - WOODWARD 138KV CKT 1	133	153	0.03149	120.7972	ELLIS 4 138.00 - RED HILLS WIND 138KV CKT 1
FDNS	06ALL	0	15G	ASGI_14_005	TO->FROM	FPL SWITCH - WOODWARD 138KV CKT 1	133	153	0.03149	118.2357	ELLIS 4 138.00 - MOREWOOD SW 138KV CKT 1
FDNS	06ALL	0	15SP	ASGI_14_005	TO->FROM	FPL SWITCH - WOODWARD 138KV CKT 1	133	153	0.05671	111.3808	DBL-THIS-WWR
FDNSLock	06ALL	0	15G	ASGI_14_005	TO->FROM	FPL SWITCH - WOODWARD 138KV CKT 1	133	153	0.03149	105.8896	ELK CITY - RED HILLS WIND 138KV CKT 1
FDNS	06ALL	0	15SP	ASGI_14_005	TO->FROM	FPL SWITCH - WOODWARD 138KV CKT 1	133	153	0.04836	105.3952	NORTHWEST - TATONGA7 345.00 345KV CKT 1
FDNS	06ALL	0	15SP	ASGI_14_005	TO->FROM	FPL SWITCH - WOODWARD 138KV CKT 1	133	153	0.04992	104.8311	LAWTON EASTSIDE - OKLAUNION 345KV CKT 1
FDNS	06ALL	0	15SP	ASGI_14_005	TO->FROM	FPL SWITCH - WOODWARD 138KV CKT 1	133	153	0.04836	102.6277	SPSCONT-05B
FDNS	06ALL	0	15SP	ASGI_14_005	TO->FROM	FPL SWITCH - WOODWARD 138KV CKT 1	133	153	0.04836	101.4863	SPSCONT-04
FDNS	06ALL	0	15SP	ASGI_14_005	TO->FROM	FPL SWITCH - WOODWARD 138KV CKT 1	133	153	0.04582	100.8287	DBL-THIS-WIC
FDNS	06ALL	0	15SP	ASGI_14_005	TO->FROM	FPL SWITCH - WOODWARD 138KV CKT 1	133	153	0.03508	97.7	WOODWARD (WOODWRD2) 138/69/13.2KV TRANSFORMER CKT 1
FDNS	06ALL	0	20WP	ASGI_14_005	TO->FROM	FPL SWITCH - WOODWARD 138KV CKT 1	171	185	0.05095	96.8	NORTHWEST - TATONGA7 345.00 345KV CKT 1
FDNS	06ALL	0	20WP	ASGI_14_005	TO->FROM	FPL SWITCH - WOODWARD 138KV CKT 1	171	185	0.06043	96	DBL-THIS-WWR
FDNS	06ALL	0	15G	ASGI_14_005	TO->FROM	GRAPEVINE INTERCHANGE - NICHOLS STATION 230KV CKT 1	319	351	0.10173	104.4035	LAWTON EASTSIDE - OKLAUNION 345KV CKT 1
FDNS	06ALL	0	20WP	ASGI_14_005	TO->FROM	GRAPEVINE INTERCHANGE - NICHOLS STATION 230KV CKT 1	329	361	0.12849	102.8268	LAWTON EASTSIDE - OKLAUNION 345KV CKT 1
FDNS	06ALL	0	15SP	ASGI_14_005	TO->FROM	GRAPEVINE INTERCHANGE - NICHOLS STATION 230KV CKT 1	319	351	0.10328	99.65252	LAWTON EASTSIDE - OKLAUNION 345KV CKT 1
FDNS	06ALL	0	15G	ASGI_14_005	FROM->TO	GRAPEVINE INTERCHANGE - STATELINE INTERCHANGE 230KV CKT 1	319	351	0.11324	96.46441	LAWTON EASTSIDE - OKLAUNION 345KV CKT 1
FDNS	06ALL	0	15G	ASGI_14_005	FROM->TO	HARPER - MILAN TAP 138KV CKT 1	138	143	0.03296	116.5991	DBL-THIS-WIC
FDNS	06ALL	0	15SP	ASGI_14_005	FROM->TO	HARPER - MILAN TAP 138KV CKT 1	127	136	0.03319	104.5127	DBL-THIS-WIC
FDNS	06ALL	0	15WP	ASGI_14_005	FROM->TO	HARPER - MILAN TAP 138KV CKT 1	143	143	0.03321	102.8215	DBL-THIS-WIC
FDNS	06ALL	0	25SP	ASGI_14_005	TO->FROM	IMC #1_TP 3115.00 - INTREPDW_TP3115.00 115KV CKT 1	159	160	0.07078	137.5067	KIOWA 7345.00 - RDRUNNER 7345.00 345KV CKT 1
FDNS	06ALL	0	25SP	ASGI_14_005	TO->FROM	IMC #1_TP 3115.00 - INTREPDW_TP3115.00 115KV CKT 1	159	160	0.07078	137.463	RDRUNNER 7345.00 (UPDATE LATER) 345/115/13.2KV TRANSFORMER CKT 1
FDNS	06ALL	0	20SP	ASGI_14_005	TO->FROM	IMC #1_TP 3115.00 - INTREPDW_TP3115.00 115KV CKT 1	159	160	0.07078	118.175	KIOWA 7345.00 - RDRUNNER 7345.00 345KV CKT 1
FDNS	06ALL	0	20SP	ASGI_14_005	TO->FROM	IMC #1_TP 3115.00 - INTREPDW_TP3115.00 115KV CKT 1	159	160	0.07078	118.1436	RDRUNNER 7345.00 (UPDATE LATER) 345/115/13.2KV TRANSFORMER CKT 1
FDNS	06ALL	0	25SP	ASGI_14_005	TO->FROM	IMC #1_TP 3115.00 - INTREPDW_TP3115.00 115KV CKT 1	159	160	0.05537	117.8798	National Enrichment Plant Sub - TARGA 3115.00 115KV CKT 1
FDNS	06ALL	0	20WP	ASGI_14_005	TO->FROM	IMC #1_TP 3115.00 - INTREPDW_TP3115.00 115KV CKT 1	159	160	0.07069	117.1897	RDRUNNER 7345.00 (UPDATE LATER) 345/115/13.2KV TRANSFORMER CKT 1
FDNS	06ALL	0	20WP	ASGI_14_005	TO->FROM	IMC #1_TP 3115.00 - INTREPDW_TP3115.00 115KV CKT 1	159	160	0.07069	117.1849	KIOWA 7345.00 - RDRUNNER 7345.00 345KV CKT 1
FDNS	06ALL	0	25SP	ASGI_14_005	TO->FROM	IMC #1_TP 3115.00 - INTREPDW_TP3115.00 115KV CKT 1	159	160	0.05537	113.2829	National Enrichment Plant Tap - TARGA 3115.00 115KV CKT 1
FDNS	06ALL	0	25SP	ASGI_14_005	TO->FROM	IMC #1_TP 3115.00 - INTREPDW_TP3115.00 115KV CKT 1	159	160	0.04721	113.1578	SPP-SWPS-T85
FDNS	06ALL	0	25SP	ASGI_14_005	TO->FROM	IMC #1_TP 3115.00 - INTREPDW_TP3115.00 115KV CKT 1	159	160	0.04976	109.2841	LAGARTO 3115.00 - National Enrichment Plant Tap 115KV CKT 1
FDNS	06ALL	0	25SP	ASGI_14_005	TO->FROM	IMC #1_TP 3115.00 - INTREPDW_TP3115.00 115KV CKT 1	159	160	0.06548	101.4797	ANDREWS 3115.00 - National Enrichment Plant Sub 115KV CKT 1
FDNS	06ALL	0	25SP	ASGI_14_005	TO->FROM	IMC #1_TP 3115.00 - INTREPDW_TP3115.00 115KV CKT 1	159	160	0.06548	101.4776	ANDREWS 6230.00 - G14_012T 230.00 230KV CKT 1
FDNS	06ALL	0	25SP	ASGI_14_005	TO->FROM	IMC #1_TP 3115.00 - INTREPDW_TP3115.00 115KV CKT 1	159	160	0.06548	101.4744	ANDRWSXFMR12
FDNS	06ALL	0	20SP	ASGI_14_005	TO->FROM	IMC #1_TP 3115.00 - INTREPDW_TP3115.00 115KV CKT 1	159	160	0.05537	97.3	National Enrichment Plant Sub - TARGA 3115.00 115KV CKT 1
FDNS	06ALL	0	20WP	ASGI_14_005	TO->FROM	IMC #1_TP 3115.00 - INTREPDW_TP3115.00 115KV CKT 1	159	160	0.05533	95.9	National Enrichment Plant Sub - TARGA 3115.00 115KV CKT 1
FDNS	06ALL	0	25SP	ASGI_14_005	TO->FROM	IMC #1_TP 3115.00 - INTREPDW_TP3115.00 115KV CKT 1	159	160	0.04976	95.3	LAGARTO 3115.00 - SAGE_BRUSH 3115.00 115KV CKT 1
FDNS	06ALL	0	25SP	ASGI_14_005	FROM->TO	IMC #1_TP 3115.00 - LIVSTNRIDGE3115.00 115KV CKT 1	159	160	0.07078	127.4052	KIOWA 7345.00 - RDRUNNER 7345.00 345KV CKT 1
FDNS	06ALL	0	25SP	ASGI_14_005	FROM->TO	IMC #1_TP 3115.00 - LIVSTNRIDGE3115.00 115KV CKT 1	159	160	0.07078	127.3507	RDRUNNER 7345.00 (UPDATE LATER) 345/115/13.2KV TRANSFORMER CKT 1
FDNS	06ALL	0	20SP	ASGI_14_005	FROM->TO	IMC #1_TP 3115.00 - LIVSTNRIDGE3115.00 115KV CKT 1	159	160	0.07078	108.3105	KIOWA 7345.00 - RDRUNNER 7345.00 345KV CKT 1
FDNS	06ALL	0	20SP	ASGI_14_005	FROM->TO	IMC #1_TP 3115.00 - LIVSTNRIDGE3115.00 115KV CKT 1	159	160	0.07078	108.257	RDRUNNER 7345.00 (UPDATE LATER) 345/115/13.2KV TRANSFORMER CKT 1
FDNS	06ALL	0	25SP	ASGI_14_005	FROM->TO	IMC #1_TP 3115.00 - LIVSTNRIDGE3115.00 115KV CKT 1	159	160	0.05537	107.3412	National Enrichment Plant Sub - TARGA 3115.00 115KV CKT 1
FDNS	06ALL	0	25SP	ASGI_14_005	FROM->TO	IMC #1_TP 3115.00 - LIVSTNRIDGE3115.00 115KV CKT 1	159	160	0.05537	102.8272	National Enrichment Plant Tap - TARGA 3115.00 115KV CKT 1
FDNS	06ALL	0	25SP	ASGI_14_005	FROM->TO	IMC #1_TP 3115.00 - LIVSTNRIDGE3115.00 115KV CKT 1	159	160	0.04721	102.664	SPP-SWPS-T85
FDNS	06ALL	0	25SP	ASGI_14_005	FROM->TO	IMC #1_TP 3115.00 - LIVSTNRIDGE3115.00 115KV CKT 1	159	160	0.04976	98.7	LAGARTO 3115.00 - National Enrichment Plant Tap 115KV CKT 1
FDNS	06ALL	0	20WP	ASGI_14_005	FROM->TO	IMC #1_TP 3115.00 - LIVSTNRIDGE3115.00 115KV CKT 1	165	177	0.07069	96.7	KIOWA 7345.00 - RDRUNNER 7345.00 345KV CKT 1
FDNS	06ALL	0	20WP	ASGI_14_005	FROM->TO	IMC #1_TP 3115.00 - LIVSTNRIDGE3115.00 115KV CKT 1	165	177	0.07069	96.7	RDRUNNER 7345.00 (UPDATE LATER) 345/115/13.2KV TRANSFORMER CKT 1
FDNS	06ALL	0	25SP	ASGI_14_005	TO->FROM	INTREPDW_TP3115.00 - POTASH JUNCTION INTERCHANGE 115KV CKT 1	159	160	0.07078	150.2529	KIOWA 7345.00 - RDRUNNER 7345.00 345KV CKT 1
FDNS	06ALL	0	25SP	ASGI_14_005	TO->FROM	INTREPDW_TP3115.00 - POTASH JUNCTION INTERCHANGE 115KV CKT 1	159	160	0.07078	150.1859	RDRUNNER 7345.00 (UPDATE LATER) 345/115/13.2KV TRANSFORMER CKT 1
FDNS	06ALL	0	20SP	ASGI_14_005	TO->FROM	INTREPDW_TP3115.00 - POTASH JUNCTION INTERCHANGE 115KV CKT 1	159	160	0.07078	132.7106	KIOWA 7345.00 - RDRUNNER 7345.00 345KV CKT 1
FDNS	06ALL	0	20SP	ASGI_14_005	TO->FROM	INTREPDW_TP3115.00 - POTASH JUNCTION INTERCHANGE 115KV CKT 1	159	160	0.07078	132.6622	RDRUNNER 7345.00 (UPDATE LATER) 345/115/13.2KV TRANSFORMER CKT 1
FDNS	06ALL	0	25SP	ASGI_14_005	TO->FROM	INTREPDW_TP3115.00 - POTASH JUNCTION INTERCHANGE 115KV CKT 1	159	160	0.05537	130.9083	National Enrichment Plant Sub - TARGA 3115.00 115KV CKT 1
FDNS	06ALL	0	25SP	ASGI_14_005	TO->FROM	INTREPDW_TP3115.00 - POTASH JUNCTION INTERCHANGE 115KV CKT 1	159	160	0.05537	126.296	National Enrichment Plant Tap - TARGA 3115.00 115KV CKT 1
FDNS	06ALL	0	25SP	ASGI_14_005	TO->FROM	INTREPDW_TP3115.00 - POTASH JUNCTION INTERCHANGE 115KV CKT 1	159	160	0.04721	126.1709	SPP-SWPS-T85
FDNS	06ALL	0	25SP	ASGI_14_005	TO->FROM	INTREPDW_TP3115.00 - POTASH JUNCTION INTERCHANGE 115KV CKT 1	159	160	0.04976	122.3117	LAGARTO 3115.00 - National Enrichment Plant Tap 115KV CKT 1
FDNS	06ALL	0	20WP	ASGI_14_005	TO->FROM	INTREPDW_TP3115.00 - POTASH JUNCTION INTERCHANGE 115KV CKT 1	165	177	0.07069	117.7885	KIOWA 7345.00 - RDRUNNER 7345.00 345KV CKT 1
FDNS	06ALL	0	20WP	ASGI_14_005	TO->FROM	INTREPDW_TP3115.00 - POTASH JUNCTION INTERCHANGE 115KV CKT 1	165	177	0.07069	117.7772	RDRUNNER 7345.00 (UPDATE LATER) 345/115/13.2KV TRANSFORMER CKT 1
FDNS	06ALL	0	25SP	ASGI_14_005	TO->FROM	INTREPDW_TP3115.00 - POTASH JUNCTION INTERCHANGE 115KV CKT 1	159	160	0.06548	114.431	ANDREWS 3115.00 - National Enrichment Plant Sub 115KV CKT 1
FDNS	06ALL	0	25SP	ASGI_14_005	TO->FROM	INTREPDW_TP3115.00 - POTASH JUNCTION INTERCHANGE 115KV CKT 1	159	160	0.06548	114.4277	ANDREWS 6230.00 - G14_012T 230.00 230KV CKT 1

SOLUTION	GROUP	SCENARIO	SEASON	SOURCE	DIRECTION	MONITORED ELEMENT	RATEA (MVA)	RATEB (MVA)	TDF	TC%LOADING (% MVA)	CONTINGENCY
FDNS	06ALL	0	25SP	ASGI_14_005	TO->FROM	INTREPDW_TP3115.00 - POTASH JUNCTION INTERCHANGE 115KV CKT 1	159	160	0.06548	114.4252	ANDRWSXFMR12
FDNS	06ALL	0	20SP	ASGI_14_005	TO->FROM	INTREPDW_TP3115.00 - POTASH JUNCTION INTERCHANGE 115KV CKT 1	159	160	0.05537	112.1555	National Enrichment Plant Sub - TARGA 3115.00 115KV CKT 1
FDNS	06ALL	0	25SP	ASGI_14_005	TO->FROM	INTREPDW_TP3115.00 - POTASH JUNCTION INTERCHANGE 115KV CKT 1	159	160	0.04976	108.219	LAGARTO 3115.00 - SAGE_BRUSH 3115.00 115KV CKT 1
FDNS	06ALL	0	20SP	ASGI_14_005	TO->FROM	INTREPDW_TP3115.00 - POTASH JUNCTION INTERCHANGE 115KV CKT 1	159	160	0.04721	107.9318	SPP-SWPS-T85
FDNS	06ALL	0	20SP	ASGI_14_005	TO->FROM	INTREPDW_TP3115.00 - POTASH JUNCTION INTERCHANGE 115KV CKT 1	159	160	0.05537	107.8263	National Enrichment Plant Tap - TARGA 3115.00 115KV CKT 1
FDNS	06ALL	0	20SP	ASGI_14_005	TO->FROM	INTREPDW_TP3115.00 - POTASH JUNCTION INTERCHANGE 115KV CKT 1	159	160	0.04976	105.29	LAGARTO 3115.00 - National Enrichment Plant Tap 115KV CKT 1
FDNS	06ALL	0	25SP	ASGI_14_005	TO->FROM	INTREPDW_TP3115.00 - POTASH JUNCTION INTERCHANGE 115KV CKT 1	159	160	0.07059	104.7451	KIOWA 7345.00 - NLOV_PLT 7345.00 345KV CKT 1
FDNS	06ALL	0	25SP	ASGI_14_005	TO->FROM	INTREPDW_TP3115.00 - POTASH JUNCTION INTERCHANGE 115KV CKT 1	159	160	0.06742	102.5201	BYRD SUB - MONUMENT TAP 115KV CKT 1
FDNS	06ALL	0	25SP	ASGI_14_005	TO->FROM	INTREPDW_TP3115.00 - POTASH JUNCTION INTERCHANGE 115KV CKT 1	159	160	0.06742	102.515	CUNNINGHAM STATION - MONUMENT TAP 115KV CKT 1
FDNS	06ALL	0	25SP	ASGI_14_005	TO->FROM	INTREPDW_TP3115.00 - POTASH JUNCTION INTERCHANGE 115KV CKT 1	159	160	0.06985	101.6784	CHINA_DRAW 3115.00 - WOOD_DRAW 3115.00 115KV CKT 1
FDNS	06ALL	0	25SP	ASGI_14_005	TO->FROM	INTREPDW_TP3115.00 - POTASH JUNCTION INTERCHANGE 115KV CKT 1	159	160	0.06742	101.4307	COOPER RANCH SUB - OIL_CENTER 3115.00 115KV CKT 1
FDNS	06ALL	0	25SP	ASGI_14_005	TO->FROM	INTREPDW_TP3115.00 - POTASH JUNCTION INTERCHANGE 115KV CKT 1	159	160	0.07033	101.318	CHINA_DRAW 7345.00 (UPDATE LATER) 345/115/13.2KV TRANSFORMER CKT 1
FDNS	06ALL	0	25SP	ASGI_14_005	TO->FROM	INTREPDW_TP3115.00 - POTASH JUNCTION INTERCHANGE 115KV CKT 1	159	160	0.07033	101.3055	CHINA_DRAW 7345.00 - NLOV_PLT 7345.00 345KV CKT 1
FDNS	06ALL	0	25SP	ASGI_14_005	TO->FROM	INTREPDW_TP3115.00 - POTASH JUNCTION INTERCHANGE 115KV CKT 1	159	160	0.06742	101.2952	LEA ROAD SUB - OIL_CENTER 3115.00 115KV CKT 1
FDNS	06ALL	0	25SP	ASGI_14_005	TO->FROM	INTREPDW_TP3115.00 - POTASH JUNCTION INTERCHANGE 115KV CKT 1	159	160	0.06742	100.6473	BYRD SUB - COOPER RANCH SUB 115KV CKT 1
FDNS	06ALL	0	20SP	ASGI_14_005	TO->FROM	INTREPDW_TP3115.00 - POTASH JUNCTION INTERCHANGE 115KV CKT 1	159	160	0.06548	99.9	ANDREWS 3115.00 - National Enrichment Plant Sub 115KV CKT 1
FDNS	06ALL	0	20SP	ASGI_14_005	TO->FROM	INTREPDW_TP3115.00 - POTASH JUNCTION INTERCHANGE 115KV CKT 1	159	160	0.06548	99.9	ANDREWS 6230.00 - G14_012T 230.00 230KV CKT 1
FDNS	06ALL	0	20SP	ASGI_14_005	TO->FROM	INTREPDW_TP3115.00 - POTASH JUNCTION INTERCHANGE 115KV CKT 1	159	160	0.06548	99.9	ANDRWSXFMR12
FDNS	06ALL	0	20SP	ASGI_14_005	TO->FROM	INTREPDW_TP3115.00 - POTASH JUNCTION INTERCHANGE 115KV CKT 1	159	160	0.06548	99.9	G14_012T 230.00 - HOBBS INTERCHANGE 230KV CKT 1
FDNS	06ALL	0	25SP	ASGI_14_005	TO->FROM	INTREPDW_TP3115.00 - POTASH JUNCTION INTERCHANGE 115KV CKT 1	159	160	0.06742	99.4	LEA ROAD SUB - WARD SUB 115KV CKT 1
FDNS	06ALL	0	25SP	ASGI_14_005	TO->FROM	INTREPDW_TP3115.00 - POTASH JUNCTION INTERCHANGE 115KV CKT 1	159	160	0.06742	99.1	WARD SUB - WHITTEN SUB 115KV CKT 1
FDNS	06ALL	0	25SP	ASGI_14_005	TO->FROM	INTREPDW_TP3115.00 - POTASH JUNCTION INTERCHANGE 115KV CKT 1	159	160	0.06742	99	SPP-SWPS-T39
FDNS	06ALL	0	20WP	ASGI_14_005	TO->FROM	INTREPDW_TP3115.00 - POTASH JUNCTION INTERCHANGE 115KV CKT 1	165	177	0.05533	98.8	National Enrichment Plant Sub - TARGA 3115.00 115KV CKT 1
FDNS	06ALL	0	25SP	ASGI_14_005	TO->FROM	INTREPDW_TP3115.00 - POTASH JUNCTION INTERCHANGE 115KV CKT 1	159	160	0.05626	98.3	RDRUNNER 3115.00 - RED_BLUFF 3115.00 115KV CKT 1
FDNS	06ALL	0	25SP	ASGI_14_005	TO->FROM	INTREPDW_TP3115.00 - POTASH JUNCTION INTERCHANGE 115KV CKT 1	159	160	0.06784	97.8	PNDEROSATP 3115.00 - WHITTEN SUB 115KV CKT 1
FDNS	06ALL	0	20SP	ASGI_14_005	TO->FROM	INTREPDW_TP3115.00 - POTASH JUNCTION INTERCHANGE 115KV CKT 1	159	160	0.04976	96	LAGARTO 3115.00 - SAGE_BRUSH 3115.00 115KV CKT 1
FDNS	06ALL	0	25SP	ASGI_14_005	TO->FROM	INTREPDW_TP3115.00 - POTASH JUNCTION INTERCHANGE 115KV CKT 1	159	160	0.06784	96	OCHOA SUB - PNDEROSATP 3115.00 115KV CKT 1
FDNS	06ALL	0	20WP	ASGI_14_005	TO->FROM	INTREPDW_TP3115.00 - POTASH JUNCTION INTERCHANGE 115KV CKT 1	165	177	0.04719	95.8	SPP-SWPS-T85
FDNS	06ALL	0	25SP	ASGI_14_005	TO->FROM	INTREPDW_TP3115.00 - POTASH JUNCTION INTERCHANGE 115KV CKT 1	159	160	0.07043	95.8	GEN562495 1-G14_012_2 18.000
FDNS	06ALL	0	25SP	ASGI_14_005	TO->FROM	INTREPDW_TP3115.00 - POTASH JUNCTION INTERCHANGE 115KV CKT 1	159	160	0.06968	95.63696	ANDREWS 6230.00 (FROM BORDEN) 230/115/13.2KV TRANSFORMER CKT 2
FDNS	06ALL	0	25SP	ASGI_14_005	TO->FROM	INTREPDW_TP3115.00 - POTASH JUNCTION INTERCHANGE 115KV CKT 1	159	160	0.06969	95.60888	ANDREWS 6230.00 (FROM MIDLAND) 230/115/13.2KV TRANSFORMER CKT 1
FDNS	06ALL	0	20WP	ASGI_14_005	TO->FROM	INTREPDW_TP3115.00 - POTASH JUNCTION INTERCHANGE 115KV CKT 1	165	177	0.05533	95.5	National Enrichment Plant Tap - TARGA 3115.00 115KV CKT 1
FDNS	06ALL	0	25SP	ASGI_14_005	TO->FROM	INTREPDW_TP3115.00 - POTASH JUNCTION INTERCHANGE 115KV CKT 1	159	160	0.04976	95.2	LIVSTNRIDGE3115.00 - SAGE_BRUSH 3115.00 115KV CKT 1
FDNS	06ALL	0	25SP	ASGI_14_005	FROM->TO	LIVSTNRIDGE3115.00 - WIPP SUB 115KV CKT 1	159	160	0.03449	103.342	KIOWA 7345.00 - RDRUNNER 7345.00 345KV CKT 1
FDNS	06ALL	0	25SP	ASGI_14_005	FROM->TO	LIVSTNRIDGE3115.00 - WIPP SUB 115KV CKT 1	159	160	0.03449	102.9554	RDRUNNER 7345.00 (UPDATE LATER) 345/115/13.2KV TRANSFORMER CKT 1
FDNS	06ALL	0	15WP	ASGI_14_005	TO->FROM	PLANT X STATION - TOLK STATION EAST 230KV CKT 2	557	557	0.29093	99.8	PLANT X STATION - TOLK STATION WEST 230KV CKT 1
FDNS	06ALL	0	20SP	ASGI_14_005	TO->FROM	PLANT X STATION - TOLK STATION EAST 230KV CKT 2	478	502	0.19961	96.1	PLANT X STATION - TOLK STATION WEST 230KV CKT 1
FDNS	06ALL	0	20SP	ASGI_14_005	TO->FROM	PLANT X STATION - TOLK STATION WEST 230KV CKT 1	478	502	0.20155	96.8	PLANT X STATION - TOLK STATION EAST 230KV CKT 2
FDNS	06ALL	0	15SP	ASGI_14_005	FROM->TO	PLANT X STATION (WH ALM20171) 230/115/13.2KV TRANSFORMER CKT 1	252	252	0.09875	106.868	NEWHART 230 - PLANT X STATION 230KV CKT 1
FDNS	06ALL	0	15SP	ASGI_14_005	FROM->TO	PLANT X STATION (WH ALM20171) 230/115/13.2KV TRANSFORMER CKT 1	252	252	0.06019	104.7391	SPP-SWPS-K37
FDNS	06ALL	0	15SP	ASGI_14_005	FROM->TO	PLANT X STATION (WH ALM20171) 230/115/13.2KV TRANSFORMER CKT 1	252	252	0.06019	104.739	LAMB COUNTY INTERCHANGE (WH ALM20172) 230/115/13.2KV TRANSFORMER CKT 1
FDNS	06ALL	0	15SP	ASGI_14_005	FROM->TO	PLANT X STATION (WH ALM20171) 230/115/13.2KV TRANSFORMER CKT 1	252	252	0.06019	104.7164	LAMB COUNTY INTERCHANGE - TOLK STATION WEST 230KV CKT 1
FDNS	06ALL	0	15SP	ASGI_14_005	FROM->TO	PLANT X STATION (WH ALM20171) 230/115/13.2KV TRANSFORMER CKT 1	252	252	0.09875	104.1846	NEWHART 230 - PLANT X STATION 230KV CKT 1
FDNS	06ALL	0	15SP	ASGI_14_005	FROM->TO	PLANT X STATION (WH ALM20171) 230/115/13.2KV TRANSFORMER CKT 1	252	252	0.08493	102.4562	DEAF SMITH COUNTY INTERCHANGE - PLANT X STATION 230KV CKT 1
FDNS	06ALL	0	15SP	ASGI_14_005	FROM->TO	PLANT X STATION (WH ALM20171) 230/115/13.2KV TRANSFORMER CKT 1	252	252	0.06019	102.3057	SPP-SWPS-K37
FDNS	06ALL	0	15SP	ASGI_14_005	FROM->TO	PLANT X STATION (WH ALM20171) 230/115/13.2KV TRANSFORMER CKT 1	252	252	0.06019	102.3056	LAMB COUNTY INTERCHANGE (WH ALM20172) 230/115/13.2KV TRANSFORMER CKT 1
FDNS	06ALL	0	15SP	ASGI_14_005	FROM->TO	PLANT X STATION (WH ALM20171) 230/115/13.2KV TRANSFORMER CKT 1	252	252	0.06019	102.2824	LAMB COUNTY INTERCHANGE - TOLK STATION WEST 230KV CKT 1
FDNS	06ALL	0	15SP	ASGI_14_005	FROM->TO	PLANT X STATION (WH ALM20171) 230/115/13.2KV TRANSFORMER CKT 1	252	252	0.08493	99.7	DEAF SMITH COUNTY INTERCHANGE - PLANT X STATION 230KV CKT 1
FDNS	06ALL	0	15SP	ASGI_14_005	FROM->TO	PLANT X STATION (WH ALM20171) 230/115/13.2KV TRANSFORMER CKT 1	252	252	0.05667	95.5	GEN525493 1-PLANT X GEN #3
FDNS	06ALL	0	20WP	ASGI_14_005	FROM->TO	TUCO INTERCHANGE (GE M1022338) 345/230/13.2KV TRANSFORMER CKT 1	560	560	0.11561	106.7638	TUCO INTERCHANGE (SIEM 8743066) 345/230/13.2KV TRANSFORMER CKT 2
FDNS	06ALL	0	20WP	ASGI_14_005	FROM->TO	TUCO INTERCHANGE (GE M1022338) 345/230/13.2KV TRANSFORMER CKT 1	560	560	0.11561	104.8093	TUCO INTERCHANGE (SIEM 8743066) 345/230/13.2KV TRANSFORMER CKT 2
FDNS	06ALL	2	15G	ASGI_14_005	FROM->TO	CLEARWATER - GILL ENERGY CENTER WEST 138KV CKT 1	143	143	0.03285	100.3876	DBL-THIS-WIC
FDNS	06ALL	2	15G	ASGI_14_005	TO->FROM	CLEARWATER - MILAN TAP 138KV CKT 1	110	110	0.03285	139.9774	DBL-THIS-WIC
FDNS	06ALL	2	20WP	ASGI_14_005	TO->FROM	CLEARWATER - MILAN TAP 138KV CKT 1	110	110	0.03269	108.5614	DBL-THIS-WIC
FDNS	06ALL	2	15WP	ASGI_14_005	TO->FROM	CLEARWATER - MILAN TAP 138KV CKT 1	110	110	0.03309	106.1489	DBL-THIS-WIC
FDNS	06ALL	2	15SP	ASGI_14_005	TO->FROM	CLEARWATER - MILAN TAP 138KV CKT 1	110	110	0.03308	100	DBL-THIS-WIC
FDNS	06ALL	2	15SP	ASGI_14_005	FROM->TO	CURRY COUNTY INTERCHANGE - DEAF SMITH REC-#20 115KV CKT 1	96	96	0.06282	123.1635	DEAF SMITH COUNTY INTERCHANGE - PLANT X STATION 230KV CKT 1
FDNS	06ALL	2	20SP	ASGI_14_005	FROM->TO	CURRY COUNTY INTERCHANGE - DEAF SMITH REC-#20 115KV CKT 1	96	96	0.04578	106.7095	DEAF SMITH COUNTY INTERCHANGE - PLANT X STATION 230KV CKT 1
FDNS	06ALL	2	15SP	ASGI_14_005	FROM->TO	CURRY COUNTY INTERCHANGE - DEAF SMITH REC-#20 115KV CKT 1	96	96	0.04668	105.7855	LAWTON EASTSIDE - OKLAUNION 345KV CKT 1
FDNS	06ALL	2	15SP	ASGI_14_005	FROM->TO	CURRY COUNTY INTERCHANGE - DEAF SMITH REC-#20 115KV CKT 1	96	96	0.04689	97.4	SPP-SWPS-01
FDNS	06ALL	2	15SP	ASGI_14_005	FROM->TO	CURRY COUNTY INTERCHANGE - DEAF SMITH REC-#20 115KV CKT 1	96	96	0.04668	97.2	SPSCONT-01
FDNS	06ALL	2	15SP	ASGI_14_005	FROM->TO	CURRY COUNTY INTERCHANGE - DEAF SMITH REC-#20 115KV CKT 1	96	96	0.04668	97.1	OKLAUNION - TUCO INTERCHANGE 345KV CKT 1
FDNS	06ALL	2	15SP	ASGI_14_005	FROM->TO	CURRY COUNTY INTERCHANGE - DEAF SMITH REC-#20 115KV CKT 1	96	96	0.04799	95.9	NEWHART 230 - PLANT X STATION 230KV CKT 1
FDNS	06ALL	2	25SP	ASGI_14_005	FROM->TO	CURRY COUNTY INTERCHANGE - DEAF SMITH REC-#20 115KV CKT 1	96	96	0.04619	95.5	DEAF SMITH COUNTY INTERCHANGE - PLANT X STATION 230KV CKT 1
FDNS	06ALL	2	15SP	ASGI_14_005	TO->FROM	DEAF SMITH COUNTY INTERCHANGE - PLANT X STATION 230KV CKT 1	319	351	0.18552	109.6348	LAWTON EASTSIDE - OKLAUNION 345KV CKT 1
FDNS	06ALL	2	15SP	ASGI_14_005	TO->FROM	DEAF SMITH COUNTY INTERCHANGE - PLANT X STATION 230KV CKT 1	319	351	0.20016	97.1	NEWHART 230 - PLANT X STATION 230KV CKT 1
FDNS	06ALL	2	15SP	ASGI_14_005	TO->FROM	DEAF SMITH COUNTY INTERCHANGE - PLANT X STATION 230KV CKT 1	319	351	0.18667	96.4	SPP-SWPS-01
FDNS	06ALL	2	15SP	ASGI_14_005	TO->FROM	DEAF SMITH COUNTY INTERCHANGE - PLANT X STATION 230KV CKT 1	319	351	0.18552	96.1	SPSCONT-01
FDNS	06ALL	2	15SP	ASGI_14_005	TO->FROM	DEAF SMITH COUNTY INTERCHANGE - PLANT X STATION 230KV CKT 1	319	351	0.18552	96	OKLAUNION - TUCO INTERCHANGE 345KV CKT 1
FDNS	06ALL	2	15SP	ASGI_14_005	FROM->TO	DEAF SMITH REC-#20 - PARMER COUNTY SUB 115KV CKT 1	96	96	0.06282	109.9541	DEAF SMITH COUNTY INTERCHANGE - PLANT X STATION 230KV CKT 1
FDNS	06ALL	2	15SP	ASGI_14_005	TO->FROM	DEAF SMITH REC-#24 - PARMER COUNTY SUB 115KV CKT 1	96	96	0.06282	101.8097	DEAF SMITH COUNTY INTERCHANGE - PLANT X STATION 230KV CKT 1
FDNS	06ALL	2	15G	ASGI_14_005	FROM->TO	ELK CITY 230KV (ELKCTY-6) 23					

SOLUTION	GROUP	SCENARIO	SEASON	SOURCE	DIRECTION	MONITORED ELEMENT	RATEA (MVA)	RATEB (MVA)	TDF	TC%LOADING (% MVA)	CONTINGENCY
FDNS	06ALL	2	15G	ASGI_14_005	FROM->TO	ELK CITY 230KV (ELKCTY-6) 230/138/13.8KV TRANSFORMER CKT 1	287	316	0.11263	104.9756	LAWTON EASTSIDE - OKLAUNION 345KV CKT 1
FDNS	06ALL	2	15SP	ASGI_14_005	FROM->TO	ELK CITY 230KV (ELKCTY-6) 230/138/13.8KV TRANSFORMER CKT 1	272	316	0.12068	100.0284	LAWTON EASTSIDE - OKLAUNION 345KV CKT 1
FDNS	06ALL	2	15WP	ASGI_14_005	FROM->TO	ELK CITY 230KV (ELKCTY-6) 230/138/13.8KV TRANSFORMER CKT 1	287	316	0.12413	99.83074	LAWTON EASTSIDE - OKLAUNION 345KV CKT 1
FDNS	06ALL	2	15SP	ASGI_14_005	FROM->TO	ELK CITY 230KV (ELKCTY-6) 230/138/13.8KV TRANSFORMER CKT 1	272	316	0.12068	98.59394	LAWTON EASTSIDE - OKLAUNION 345KV CKT 1
FDNS	06ALL	2	15WP	ASGI_14_005	FROM->TO	ELK CITY 230KV (ELKCTY-6) 230/138/13.8KV TRANSFORMER CKT 1	287	316	0.12413	98.42802	LAWTON EASTSIDE - OKLAUNION 345KV CKT 1
FDNS	06ALL	2	15G	ASGI_14_005	FROM->TO	ELK CITY 230KV (ELKCTY-6) 230/138/13.8KV TRANSFORMER CKT 1	287	316	0.11263	97.6	SPSCONT-01
FDNS	06ALL	2	15G	ASGI_14_005	FROM->TO	ELK CITY 230KV (ELKCTY-6) 230/138/13.8KV TRANSFORMER CKT 1	287	316	0.09753	96.8	DBL-G1114-WW
FDNS	06ALL	2	15G	ASGI_14_005	FROM->TO	ELK CITY 230KV (ELKCTY-6) 230/138/13.8KV TRANSFORMER CKT 1	287	316	0.11324	96.7	SPP-SWPS-01
FDNS	06ALL	2	15G	ASGI_14_005	FROM->TO	ELK CITY 230KV (ELKCTY-6) 230/138/13.8KV TRANSFORMER CKT 1	287	316	0.11263	96.5	SPSCONT-01
FDNS	06ALL	2	15G	ASGI_14_005	FROM->TO	ELK CITY 230KV (ELKCTY-6) 230/138/13.8KV TRANSFORMER CKT 1	287	316	0.11263	96.2	OKLAUNION - TUCO INTERCHANGE 345KV CKT 1
FDNS	06ALL	2	15G	ASGI_14_005	FROM->TO	ELK CITY 230KV (ELKCTY-6) 230/138/13.8KV TRANSFORMER CKT 1	287	316	0.11324	95.7	SPP-SWPS-01
FDNS	06ALL	2	15G	ASGI_14_005	FROM->TO	ELK CITY 230KV (ELKCTY-6) 230/138/13.8KV TRANSFORMER CKT 1	287	316	0.09753	95.6	DBL-G1114-WW
FDNS	06ALL	2	15G	ASGI_14_005	FROM->TO	ELK CITY 230KV (ELKCTY-6) 230/138/13.8KV TRANSFORMER CKT 1	287	316	0.09753	95.5	DBL-BVR-G111
FDNS	06ALL	2	15G	ASGI_14_005	FROM->TO	ELK CITY 230KV (ELKCTY-6) 230/138/13.8KV TRANSFORMER CKT 1	287	316	0.11263	95.1	OKLAUNION - TUCO INTERCHANGE 345KV CKT 1
FDNS	06ALL	2	15SP	ASGI_14_005	TO->FROM	FLATRDG3 - THISTLE4 138.00 138KV CKT 1	286	286	0.04773	98.1	DBL-THIS-WIC
FDNS	06ALL	2	15G	ASGI_14_005	TO->FROM	FPL SWITCH - WOODWARD 138KV CKT 1	133	153	0.0454	161.0764	NORTHWEST - TATONGA7 345.00 345KV CKT 1
FDNS	06ALL	2	15G	ASGI_14_005	TO->FROM	FPL SWITCH - WOODWARD 138KV CKT 1	133	153	0.05353	159.4718	DBL-THIS-WWR
FDNS	06ALL	2	15G	ASGI_14_005	TO->FROM	FPL SWITCH - WOODWARD 138KV CKT 1	133	153	0.0454	157.784	SPSCONT-05B
FDNS	06ALL	2	15G	ASGI_14_005	TO->FROM	FPL SWITCH - WOODWARD 138KV CKT 1	133	153	0.0454	157.1004	SPSCONT-04
FDNS	06ALL	2	15G	ASGI_14_005	TO->FROM	FPL SWITCH - WOODWARD 138KV CKT 1	133	153	0.0429	154.0923	DBL-THIS-WIC
FDNS	06ALL	2	15G	ASGI_14_005	TO->FROM	FPL SWITCH - WOODWARD 138KV CKT 1	133	153	0.04714	152.7189	LAWTON EASTSIDE - OKLAUNION 345KV CKT 1
FDNS	06ALL	2	15G	ASGI_14_005	TO->FROM	FPL SWITCH - WOODWARD 138KV CKT 1	133	153	0.0454	147.5378	G11_051T 345.00 - TATONGA7 345.00 345KV CKT 1
FDNS	06ALL	2	15G	ASGI_14_005	TO->FROM	FPL SWITCH - WOODWARD 138KV CKT 1	133	153	0.0454	146.3224	G11_051T 345.00 - WOODWARD DISTRICT EHV 345KV CKT 1
FDNS	06ALL	2	15G	ASGI_14_005	TO->FROM	FPL SWITCH - WOODWARD 138KV CKT 1	133	153	0.03184	143.4813	WOODWARD (WOODWRD2) 138/69/13.2KV TRANSFORMER CKT 1
FDNS	06ALL	2	15G	ASGI_14_005	TO->FROM	FPL SWITCH - WOODWARD 138KV CKT 1	133	153	0.0454	143.1119	SPSCONT-05AX
FDNS	06ALL	2	15G	ASGI_14_005	TO->FROM	FPL SWITCH - WOODWARD 138KV CKT 1	133	153	0.04143	142.197	ELK CITY 230KV - SWEETWATER 230KV CKT 1
FDNS	06ALL	2	15G	ASGI_14_005	TO->FROM	FPL SWITCH - WOODWARD 138KV CKT 1	133	153	0.04143	142.1652	ELK CITY 230KV (ELKCTY-6) 230/138/13.8KV TRANSFORMER CKT 1
FDNS	06ALL	2	15G	ASGI_14_005	TO->FROM	FPL SWITCH - WOODWARD 138KV CKT 1	133	153	0.04714	141.5791	SPSCONT-01
FDNS	06ALL	2	15G	ASGI_14_005	TO->FROM	FPL SWITCH - WOODWARD 138KV CKT 1	133	153	0.04165	139.7583	SPP-SWPS-03
FDNS	06ALL	2	15G	ASGI_14_005	TO->FROM	FPL SWITCH - WOODWARD 138KV CKT 1	133	153	0.04714	139.3711	OKLAUNION - TUCO INTERCHANGE 345KV CKT 1
FDNS	06ALL	2	15G	ASGI_14_005	TO->FROM	FPL SWITCH - WOODWARD 138KV CKT 1	133	153	0.04694	139.1429	SPP-SWPS-01
FDNS	06ALL	2	15G	ASGI_14_005	TO->FROM	FPL SWITCH - WOODWARD 138KV CKT 1	133	153	0.04143	138.6541	SPP-SWPS-02A
FDNS	06ALL	2	15G	ASGI_14_005	TO->FROM	FPL SWITCH - WOODWARD 138KV CKT 1	133	153	0.04143	138.3635	GRAPEVINE INTERCHANGE - STATELINE INTERCHANGE 230KV CKT 1
FDNSLock	06ALL	2	15G	ASGI_14_005	TO->FROM	FPL SWITCH - WOODWARD 138KV CKT 1	133	153	0.03383	137.0502	IODINE - WOODWARD EHV 138KV CKT 1
FDNS	06ALL	2	15G	ASGI_14_005	TO->FROM	FPL SWITCH - WOODWARD 138KV CKT 1	133	153	0.03383	135.4149	DEWEY - IODINE 138KV CKT 1
FDNS	06ALL	2	15G	ASGI_14_005	TO->FROM	FPL SWITCH - WOODWARD 138KV CKT 1	133	153	0.04143	132.7991	STATELINE INTERCHANGE - STLN-DEMARC6 230KV CKT 1
FDNS	06ALL	2	15G	ASGI_14_005	TO->FROM	FPL SWITCH - WOODWARD 138KV CKT 1	133	153	0.04143	132.7953	SPP-SWPS-02
FDNS	06ALL	2	15G	ASGI_14_005	TO->FROM	FPL SWITCH - WOODWARD 138KV CKT 1	133	153	0.04143	132.7834	STLN-DEMARC6 - SWEETWATER 230KV CKT 1
FDNS	06ALL	2	15G	ASGI_14_005	TO->FROM	FPL SWITCH - WOODWARD 138KV CKT 1	133	153	0.03428	130.4683	GRAPEVINE INTERCHANGE - NICHOLS STATION 230KV CKT 1
FDNS	06ALL	2	15G	ASGI_14_005	TO->FROM	FPL SWITCH - WOODWARD 138KV CKT 1	133	153	0.03184	130.1106	WOODWARD - WOODWARD 69KV CKT 1
FDNS	06ALL	2	15G	ASGI_14_005	TO->FROM	FPL SWITCH - WOODWARD 138KV CKT 1	133	153	0.0346	126.1934	THISTLE7 345.00 - WOODWARD DISTRICT EHV 345KV CKT 1
FDNS	06ALL	2	15G	ASGI_14_005	TO->FROM	FPL SWITCH - WOODWARD 138KV CKT 1	133	153	0.0346	126.1934	THISTLE7 345.00 - WOODWARD DISTRICT EHV 345KV CKT 2
FDNS	06ALL	2	15G	ASGI_14_005	TO->FROM	FPL SWITCH - WOODWARD 138KV CKT 1	133	153	0.03406	124.5364	FINNEY SWITCHING STATION - HOLCOMB 345KV CKT 1
FDNS	06ALL	2	15G	ASGI_14_005	TO->FROM	FPL SWITCH - WOODWARD 138KV CKT 1	133	153	0.03168	124.2225	THISTLE7 345.00 - WICHITA 345KV CKT 1
FDNS	06ALL	2	15G	ASGI_14_005	TO->FROM	FPL SWITCH - WOODWARD 138KV CKT 1	133	153	0.03168	124.2225	THISTLE7 345.00 - WICHITA 345KV CKT 2
FDNS	06ALL	2	15G	ASGI_14_005	TO->FROM	FPL SWITCH - WOODWARD 138KV CKT 1	133	153	0.03406	123.294	SPP-SWPS-05
FDNS	06ALL	2	15G	ASGI_14_005	TO->FROM	FPL SWITCH - WOODWARD 138KV CKT 1	133	153	0.03406	123.2358	FINNEY SWITCHING STATION - Hitchland Interchange 345KV CKT 1
FDNS	06ALL	2	15G	ASGI_14_005	TO->FROM	FPL SWITCH - WOODWARD 138KV CKT 1	133	153	0.03147	120.7881	ELLIS 4 138.00 - RED HILLS WIND 138KV CKT 1
FDNS	06ALL	2	15G	ASGI_14_005	TO->FROM	FPL SWITCH - WOODWARD 138KV CKT 1	133	153	0.03147	118.2424	ELLIS 4 138.00 - MOREWOOD SW 138KV CKT 1
FDNS	06ALL	2	15SP	ASGI_14_005	TO->FROM	FPL SWITCH - WOODWARD 138KV CKT 1	133	153	0.05679	111.8037	DBL-THIS-WWR
FDNS	06ALL	2	15G	ASGI_14_005	TO->FROM	FPL SWITCH - WOODWARD 138KV CKT 1	133	153	0.03147	105.8822	ELK CITY - RED HILLS WIND 138KV CKT 1
FDNS	06ALL	2	15SP	ASGI_14_005	TO->FROM	FPL SWITCH - WOODWARD 138KV CKT 1	133	153	0.04836	105.4283	NORTHWEST - TATONGA7 345.00 345KV CKT 1
FDNS	06ALL	2	15SP	ASGI_14_005	TO->FROM	FPL SWITCH - WOODWARD 138KV CKT 1	133	153	0.05014	104.792	LAWTON EASTSIDE - OKLAUNION 345KV CKT 1
FDNS	06ALL	2	15SP	ASGI_14_005	TO->FROM	FPL SWITCH - WOODWARD 138KV CKT 1	133	153	0.04836	102.6609	SPSCONT-05B
FDNS	06ALL	2	15SP	ASGI_14_005	TO->FROM	FPL SWITCH - WOODWARD 138KV CKT 1	133	153	0.04836	101.5196	SPSCONT-04
FDNS	06ALL	2	15SP	ASGI_14_005	TO->FROM	FPL SWITCH - WOODWARD 138KV CKT 1	133	153	0.04584	100.868	DBL-THIS-WIC
FDNS	06ALL	2	15SP	ASGI_14_005	TO->FROM	FPL SWITCH - WOODWARD 138KV CKT 1	133	153	0.03514	97.8	WOODWARD (WOODWRD2) 138/69/13.2KV TRANSFORMER CKT 1
FDNS	06ALL	2	20WP	ASGI_14_005	TO->FROM	FPL SWITCH - WOODWARD 138KV CKT 1	171	185	0.05094	96.8	NORTHWEST - TATONGA7 345.00 345KV CKT 1
FDNS	06ALL	2	20WP	ASGI_14_005	TO->FROM	FPL SWITCH - WOODWARD 138KV CKT 1	171	185	0.06044	96.1	DBL-THIS-WWR
FDNS	06ALL	2	15G	ASGI_14_005	TO->FROM	GRAPEVINE INTERCHANGE - NICHOLS STATION 230KV CKT 1	319	351	0.10118	104.1544	LAWTON EASTSIDE - OKLAUNION 345KV CKT 1
FDNS	06ALL	2	20WP	ASGI_14_005	TO->FROM	GRAPEVINE INTERCHANGE - NICHOLS STATION 230KV CKT 1	329	361	0.12856	102.6379	LAWTON EASTSIDE - OKLAUNION 345KV CKT 1
FDNS	06ALL	2	15SP	ASGI_14_005	TO->FROM	GRAPEVINE INTERCHANGE - NICHOLS STATION 230KV CKT 1	319	351	0.10274	99.55632	LAWTON EASTSIDE - OKLAUNION 345KV CKT 1
FDNS	06ALL	2	15G	ASGI_14_005	FROM->TO	GRAPEVINE INTERCHANGE - STATELINE INTERCHANGE 230KV CKT 1	319	351	0.11263	96.1822	LAWTON EASTSIDE - OKLAUNION 345KV CKT 1
FDNS	06ALL	2	15G	ASGI_14_005	FROM->TO	HARPER - MILAN TAP 138KV CKT 1	138	143	0.03285	116.4392	DBL-THIS-WIC
FDNS	06ALL	2	15SP	ASGI_14_005	FROM->TO	HARPER - MILAN TAP 138KV CKT 1	127	136	0.03308	104.4461	DBL-THIS-WIC
FDNS	06ALL	2	15WP	ASGI_14_005	FROM->TO	HARPER - MILAN TAP 138KV CKT 1	143	143	0.03309	102.7312	DBL-THIS-WIC
FDNS	06ALL	2	25SP	ASGI_14_005	TO->FROM	IMC_#1_TP 3115.00 - INTREPDW_TP3115.00 115KV CKT 1	159	160	0.07078	137.5065	KIOWA 7345.00 - RDRUNNER 7345.00 345KV CKT 1
FDNS	06ALL	2	25SP	ASGI_14_005	TO->FROM	IMC_#1_TP 3115.00 - INTREPDW_TP3115.00 115KV CKT 1	159	160	0.07078	137.4626	RDRUNNER 7345.00 (UPDATE LATER) 345/115/13.2KV TRANSFORMER CKT 1
FDNS	06ALL	2	20SP	ASGI_14_005	TO->FROM	IMC_#1_TP 3115.00 - INTREPDW_TP3115.00 115KV CKT 1	159	160	0.07078	118.1728	KIOWA 7345.00 - RDRUNNER 7345.00 345KV CKT 1
FDNS	06ALL	2	20SP	ASGI_14_005	TO->FROM	IMC_#1_TP 3115.00 - INTREPDW_TP3115.00 115KV CKT 1	159	160	0.07078	118.1414	RDRUNNER 7345.00 (UPDATE LATER) 345/115/13.2KV TRANSFORMER CKT 1
FDNS	06ALL	2	25SP	ASGI_14_005	TO->FROM	IMC_#1_TP 3115.00 - INTREPDW_TP3115.00 115KV CKT 1	159	160	0.05536	117.8782	National Enrichment Plant Sub - TARGA 3115.00 115KV CKT 1
FDNS	06ALL	2	20WP	ASGI_14_005	TO->FROM	IMC_#1_TP 3115.00 - INTREPDW_TP3115.00 115KV CKT 1	159	160	0.07069	117.1864	RDRUNNER 7345.00 (UPDATE LATER) 345/115/13.2KV TRANSFORMER CKT 1

SOLUTION	GROUP	SCENARIO	SEASON	SOURCE	DIRECTION	MONITORED ELEMENT	RATEA (MVA)	RATEB (MVA)	TC%LOADING (% MVA)	CONTINGENCY	
FDNS	06ALL	2	20WP	ASGI_14_005	TO->FROM	IMC #1_TP 3115.00 - INTREPDW_TP3115.00 115KV CKT 1	159	160	0.07069	117.1795	KIOWA 7345.00 - RDRUNNER 7345.00 345KV CKT 1
FDNS	06ALL	2	25SP	ASGI_14_005	TO->FROM	IMC #1_TP 3115.00 - INTREPDW_TP3115.00 115KV CKT 1	159	160	0.05536	113.2816	National Enrichment Plant Tap - TARGA 3115.00 115KV CKT 1
FDNS	06ALL	2	25SP	ASGI_14_005	TO->FROM	IMC #1_TP 3115.00 - INTREPDW_TP3115.00 115KV CKT 1	159	160	0.0472	113.1572	SPP-SWPS-T85
FDNS	06ALL	2	25SP	ASGI_14_005	TO->FROM	IMC #1_TP 3115.00 - INTREPDW_TP3115.00 115KV CKT 1	159	160	0.04974	109.2823	LAGARTO 3115.00 - National Enrichment Plant Tap 115KV CKT 1
FDNS	06ALL	2	25SP	ASGI_14_005	TO->FROM	IMC #1_TP 3115.00 - INTREPDW_TP3115.00 115KV CKT 1	159	160	0.06547	101.4782	ANDREWS 3115.00 - National Enrichment Plant Sub 115KV CKT 1
FDNS	06ALL	2	25SP	ASGI_14_005	TO->FROM	IMC #1_TP 3115.00 - INTREPDW_TP3115.00 115KV CKT 1	159	160	0.06547	101.4762	ANDREWS 6230.00 - G14_012T 230.00 230KV CKT 1
FDNS	06ALL	2	25SP	ASGI_14_005	TO->FROM	IMC #1_TP 3115.00 - INTREPDW_TP3115.00 115KV CKT 1	159	160	0.06547	101.473	ANDRWSXFMR12
FDNS	06ALL	2	20SP	ASGI_14_005	TO->FROM	IMC #1_TP 3115.00 - INTREPDW_TP3115.00 115KV CKT 1	159	160	0.05536	97.2	National Enrichment Plant Sub - TARGA 3115.00 115KV CKT 1
FDNS	06ALL	2	20WP	ASGI_14_005	TO->FROM	IMC #1_TP 3115.00 - INTREPDW_TP3115.00 115KV CKT 1	159	160	0.05532	95.8	National Enrichment Plant Sub - TARGA 3115.00 115KV CKT 1
FDNS	06ALL	2	25SP	ASGI_14_005	TO->FROM	IMC #1_TP 3115.00 - INTREPDW_TP3115.00 115KV CKT 1	159	160	0.04974	95.3	LAGARTO 3115.00 - SAGE_BRUSH 3115.00 115KV CKT 1
FDNS	06ALL	2	25SP	ASGI_14_005	FROM->TO	IMC #1_TP 3115.00 - LIVSTNRIDGE3115.00 115KV CKT 1	159	160	0.07078	127.4051	KIOWA 7345.00 - RDRUNNER 7345.00 345KV CKT 1
FDNS	06ALL	2	25SP	ASGI_14_005	FROM->TO	IMC #1_TP 3115.00 - LIVSTNRIDGE3115.00 115KV CKT 1	159	160	0.07078	127.3504	RDRUNNER 7345.00 (UPDATE LATER) 345/115/13.2KV TRANSFORMER CKT 1
FDNS	06ALL	2	20SP	ASGI_14_005	FROM->TO	IMC #1_TP 3115.00 - LIVSTNRIDGE3115.00 115KV CKT 1	159	160	0.07078	108.3083	KIOWA 7345.00 - RDRUNNER 7345.00 345KV CKT 1
FDNS	06ALL	2	20SP	ASGI_14_005	FROM->TO	IMC #1_TP 3115.00 - LIVSTNRIDGE3115.00 115KV CKT 1	159	160	0.07078	108.2549	RDRUNNER 7345.00 (UPDATE LATER) 345/115/13.2KV TRANSFORMER CKT 1
FDNS	06ALL	2	25SP	ASGI_14_005	FROM->TO	IMC #1_TP 3115.00 - LIVSTNRIDGE3115.00 115KV CKT 1	159	160	0.05536	107.3396	National Enrichment Plant Sub - TARGA 3115.00 115KV CKT 1
FDNS	06ALL	2	25SP	ASGI_14_005	FROM->TO	IMC #1_TP 3115.00 - LIVSTNRIDGE3115.00 115KV CKT 1	159	160	0.05536	102.826	National Enrichment Plant Tap - TARGA 3115.00 115KV CKT 1
FDNS	06ALL	2	25SP	ASGI_14_005	FROM->TO	IMC #1_TP 3115.00 - LIVSTNRIDGE3115.00 115KV CKT 1	159	160	0.0472	102.6634	SPP-SWPS-T85
FDNS	06ALL	2	25SP	ASGI_14_005	FROM->TO	IMC #1_TP 3115.00 - LIVSTNRIDGE3115.00 115KV CKT 1	159	160	0.04974	98.7	LAGARTO 3115.00 - National Enrichment Plant Tap 115KV CKT 1
FDNS	06ALL	2	20WP	ASGI_14_005	FROM->TO	IMC #1_TP 3115.00 - LIVSTNRIDGE3115.00 115KV CKT 1	165	177	0.07069	96.7	KIOWA 7345.00 - RDRUNNER 7345.00 345KV CKT 1
FDNS	06ALL	2	20WP	ASGI_14_005	FROM->TO	IMC #1_TP 3115.00 - LIVSTNRIDGE3115.00 115KV CKT 1	165	177	0.07069	96.7	RDRUNNER 7345.00 (UPDATE LATER) 345/115/13.2KV TRANSFORMER CKT 1
FDNS	06ALL	2	25SP	ASGI_14_005	TO->FROM	INTREPDW_TP3115.00 - POTASH JUNCTION INTERCHANGE 115KV CKT 1	159	160	0.07078	150.253	KIOWA 7345.00 - RDRUNNER 7345.00 345KV CKT 1
FDNS	06ALL	2	25SP	ASGI_14_005	TO->FROM	INTREPDW_TP3115.00 - POTASH JUNCTION INTERCHANGE 115KV CKT 1	159	160	0.07078	150.1858	RDRUNNER 7345.00 (UPDATE LATER) 345/115/13.2KV TRANSFORMER CKT 1
FDNS	06ALL	2	20SP	ASGI_14_005	TO->FROM	INTREPDW_TP3115.00 - POTASH JUNCTION INTERCHANGE 115KV CKT 1	159	160	0.07078	132.7084	KIOWA 7345.00 - RDRUNNER 7345.00 345KV CKT 1
FDNS	06ALL	2	20SP	ASGI_14_005	TO->FROM	INTREPDW_TP3115.00 - POTASH JUNCTION INTERCHANGE 115KV CKT 1	159	160	0.07078	132.66	RDRUNNER 7345.00 (UPDATE LATER) 345/115/13.2KV TRANSFORMER CKT 1
FDNS	06ALL	2	25SP	ASGI_14_005	TO->FROM	INTREPDW_TP3115.00 - POTASH JUNCTION INTERCHANGE 115KV CKT 1	159	160	0.05536	130.907	National Enrichment Plant Sub - TARGA 3115.00 115KV CKT 1
FDNS	06ALL	2	25SP	ASGI_14_005	TO->FROM	INTREPDW_TP3115.00 - POTASH JUNCTION INTERCHANGE 115KV CKT 1	159	160	0.05536	126.295	National Enrichment Plant Tap - TARGA 3115.00 115KV CKT 1
FDNS	06ALL	2	25SP	ASGI_14_005	TO->FROM	INTREPDW_TP3115.00 - POTASH JUNCTION INTERCHANGE 115KV CKT 1	159	160	0.0472	126.1706	SPP-SWPS-T85
FDNS	06ALL	2	25SP	ASGI_14_005	TO->FROM	INTREPDW_TP3115.00 - POTASH JUNCTION INTERCHANGE 115KV CKT 1	159	160	0.04974	122.3102	LAGARTO 3115.00 - National Enrichment Plant Tap 115KV CKT 1
FDNS	06ALL	2	20WP	ASGI_14_005	TO->FROM	INTREPDW_TP3115.00 - POTASH JUNCTION INTERCHANGE 115KV CKT 1	165	177	0.07069	117.7835	KIOWA 7345.00 - RDRUNNER 7345.00 345KV CKT 1
FDNS	06ALL	2	20WP	ASGI_14_005	TO->FROM	INTREPDW_TP3115.00 - POTASH JUNCTION INTERCHANGE 115KV CKT 1	165	177	0.07069	117.7738	RDRUNNER 7345.00 (UPDATE LATER) 345/115/13.2KV TRANSFORMER CKT 1
FDNS	06ALL	2	25SP	ASGI_14_005	TO->FROM	INTREPDW_TP3115.00 - POTASH JUNCTION INTERCHANGE 115KV CKT 1	159	160	0.06547	114.4298	ANDREWS 3115.00 - National Enrichment Plant Sub 115KV CKT 1
FDNS	06ALL	2	25SP	ASGI_14_005	TO->FROM	INTREPDW_TP3115.00 - POTASH JUNCTION INTERCHANGE 115KV CKT 1	159	160	0.06547	114.4266	ANDREWS 6230.00 - G14_012T 230.00 230KV CKT 1
FDNS	06ALL	2	25SP	ASGI_14_005	TO->FROM	INTREPDW_TP3115.00 - POTASH JUNCTION INTERCHANGE 115KV CKT 1	159	160	0.06547	114.4241	ANDRWSXFMR12
FDNS	06ALL	2	20SP	ASGI_14_005	TO->FROM	INTREPDW_TP3115.00 - POTASH JUNCTION INTERCHANGE 115KV CKT 1	159	160	0.05536	112.1385	National Enrichment Plant Sub - TARGA 3115.00 115KV CKT 1
FDNS	06ALL	2	25SP	ASGI_14_005	TO->FROM	INTREPDW_TP3115.00 - POTASH JUNCTION INTERCHANGE 115KV CKT 1	159	160	0.04974	108.2174	LAGARTO 3115.00 - SAGE_BRUSH 3115.00 115KV CKT 1
FDNS	06ALL	2	20SP	ASGI_14_005	TO->FROM	INTREPDW_TP3115.00 - POTASH JUNCTION INTERCHANGE 115KV CKT 1	159	160	0.0472	107.9153	SPP-SWPS-T85
FDNS	06ALL	2	20SP	ASGI_14_005	TO->FROM	INTREPDW_TP3115.00 - POTASH JUNCTION INTERCHANGE 115KV CKT 1	159	160	0.05536	107.8093	National Enrichment Plant Tap - TARGA 3115.00 115KV CKT 1
FDNS	06ALL	2	20SP	ASGI_14_005	TO->FROM	INTREPDW_TP3115.00 - POTASH JUNCTION INTERCHANGE 115KV CKT 1	159	160	0.04974	105.2737	LAGARTO 3115.00 - National Enrichment Plant Tap 115KV CKT 1
FDNS	06ALL	2	25SP	ASGI_14_005	TO->FROM	INTREPDW_TP3115.00 - POTASH JUNCTION INTERCHANGE 115KV CKT 1	159	160	0.07059	104.7433	KIOWA 7345.00 - NLOV_PLT 7345.00 345KV CKT 1
FDNS	06ALL	2	25SP	ASGI_14_005	TO->FROM	INTREPDW_TP3115.00 - POTASH JUNCTION INTERCHANGE 115KV CKT 1	159	160	0.06741	102.5179	BYRD SUB - MONUMENT TAP 115KV CKT 1
FDNS	06ALL	2	25SP	ASGI_14_005	TO->FROM	INTREPDW_TP3115.00 - POTASH JUNCTION INTERCHANGE 115KV CKT 1	159	160	0.06741	102.5128	CUNNINGHAM STATION - MONUMENT TAP 115KV CKT 1
FDNS	06ALL	2	25SP	ASGI_14_005	TO->FROM	INTREPDW_TP3115.00 - POTASH JUNCTION INTERCHANGE 115KV CKT 1	159	160	0.06984	101.6759	CHINA_DRAW 3115.00 - WOOD_DRAW 3115.00 115KV CKT 1
FDNS	06ALL	2	25SP	ASGI_14_005	TO->FROM	INTREPDW_TP3115.00 - POTASH JUNCTION INTERCHANGE 115KV CKT 1	159	160	0.06741	101.4284	COOPER RANCH SUB - OIL_CENTER 3115.00 115KV CKT 1
FDNS	06ALL	2	25SP	ASGI_14_005	TO->FROM	INTREPDW_TP3115.00 - POTASH JUNCTION INTERCHANGE 115KV CKT 1	159	160	0.07032	101.3157	CHINA_DRAW 7345.00 (UPDATE LATER) 345/115/13.2KV TRANSFORMER CKT 1
FDNS	06ALL	2	25SP	ASGI_14_005	TO->FROM	INTREPDW_TP3115.00 - POTASH JUNCTION INTERCHANGE 115KV CKT 1	159	160	0.07032	101.3032	CHINA_DRAW 7345.00 - NLOV_PLT 7345.00 345KV CKT 1
FDNS	06ALL	2	25SP	ASGI_14_005	TO->FROM	INTREPDW_TP3115.00 - POTASH JUNCTION INTERCHANGE 115KV CKT 1	159	160	0.06741	101.293	LEA ROAD SUB - OIL_CENTER 3115.00 115KV CKT 1
FDNS	06ALL	2	25SP	ASGI_14_005	TO->FROM	INTREPDW_TP3115.00 - POTASH JUNCTION INTERCHANGE 115KV CKT 1	159	160	0.06741	100.645	BYRD SUB - COOPER RANCH SUB 115KV CKT 1
FDNS	06ALL	2	20SP	ASGI_14_005	TO->FROM	INTREPDW_TP3115.00 - POTASH JUNCTION INTERCHANGE 115KV CKT 1	159	160	0.06547	99.9	ANDREWS 3115.00 - National Enrichment Plant Sub 115KV CKT 1
FDNS	06ALL	2	20SP	ASGI_14_005	TO->FROM	INTREPDW_TP3115.00 - POTASH JUNCTION INTERCHANGE 115KV CKT 1	159	160	0.06547	99.9	ANDREWS 6230.00 - G14_012T 230.00 230KV CKT 1
FDNS	06ALL	2	20SP	ASGI_14_005	TO->FROM	INTREPDW_TP3115.00 - POTASH JUNCTION INTERCHANGE 115KV CKT 1	159	160	0.06547	99.9	ANDRWSXFMR12
FDNS	06ALL	2	20SP	ASGI_14_005	TO->FROM	INTREPDW_TP3115.00 - POTASH JUNCTION INTERCHANGE 115KV CKT 1	159	160	0.06547	99.9	G14_012T 230.00 - HOBBS INTERCHANGE 230KV CKT 1
FDNS	06ALL	2	25SP	ASGI_14_005	TO->FROM	INTREPDW_TP3115.00 - POTASH JUNCTION INTERCHANGE 115KV CKT 1	159	160	0.06741	99.4	LEA ROAD SUB - WARD SUB 115KV CKT 1
FDNS	06ALL	2	25SP	ASGI_14_005	TO->FROM	INTREPDW_TP3115.00 - POTASH JUNCTION INTERCHANGE 115KV CKT 1	159	160	0.06741	99.1	WARD SUB - WHITTEN SUB 115KV CKT 1
FDNS	06ALL	2	25SP	ASGI_14_005	TO->FROM	INTREPDW_TP3115.00 - POTASH JUNCTION INTERCHANGE 115KV CKT 1	159	160	0.06741	99	SPP-SWPS-T39
FDNS	06ALL	2	20WP	ASGI_14_005	TO->FROM	INTREPDW_TP3115.00 - POTASH JUNCTION INTERCHANGE 115KV CKT 1	165	177	0.05532	98.8	National Enrichment Plant Sub - TARGA 3115.00 115KV CKT 1
FDNS	06ALL	2	25SP	ASGI_14_005	TO->FROM	INTREPDW_TP3115.00 - POTASH JUNCTION INTERCHANGE 115KV CKT 1	159	160	0.05625	98.3	RDRUNNER 3115.00 - RED_BLUFF 3115.00 115KV CKT 1
FDNS	06ALL	2	25SP	ASGI_14_005	TO->FROM	INTREPDW_TP3115.00 - POTASH JUNCTION INTERCHANGE 115KV CKT 1	159	160	0.06783	97.8	PNDEROSATP 3115.00 - WHITTEN SUB 115KV CKT 1
FDNS	06ALL	2	20SP	ASGI_14_005	TO->FROM	INTREPDW_TP3115.00 - POTASH JUNCTION INTERCHANGE 115KV CKT 1	159	160	0.04974	96	LAGARTO 3115.00 - SAGE_BRUSH 3115.00 115KV CKT 1
FDNS	06ALL	2	25SP	ASGI_14_005	TO->FROM	INTREPDW_TP3115.00 - POTASH JUNCTION INTERCHANGE 115KV CKT 1	159	160	0.06783	96	OCHOA SUB - PNDEROSATP 3115.00 115KV CKT 1
FDNS	06ALL	2	20WP	ASGI_14_005	TO->FROM	INTREPDW_TP3115.00 - POTASH JUNCTION INTERCHANGE 115KV CKT 1	165	177	0.04717	95.8	SPP-SWPS-T85
FDNS	06ALL	2	25SP	ASGI_14_005	TO->FROM	INTREPDW_TP3115.00 - POTASH JUNCTION INTERCHANGE 115KV CKT 1	159	160	0.07042	95.8	GEN562495 1-G14_012_2 18.000
FDNS	06ALL	2	25SP	ASGI_14_005	TO->FROM	INTREPDW_TP3115.00 - POTASH JUNCTION INTERCHANGE 115KV CKT 1	159	160	0.06967	95.63396	ANDREWS 6230.00 (FROM BORDEN) 230/115/13.2KV TRANSFORMER CKT 2
FDNS	06ALL	2	25SP	ASGI_14_005	TO->FROM	INTREPDW_TP3115.00 - POTASH JUNCTION INTERCHANGE 115KV CKT 1	159	160	0.06968	95.60589	ANDREWS 6230.00 (FROM MIDLAND) 230/115/13.2KV TRANSFORMER CKT 1
FDNS	06ALL	2	20WP	ASGI_14_005	TO->FROM	INTREPDW_TP3115.00 - POTASH JUNCTION INTERCHANGE 115KV CKT 1	165	177	0.05532	95.4	National Enrichment Plant Tap - TARGA 3115.00 115KV CKT 1
FDNS	06ALL	2	25SP	ASGI_14_005	TO->FROM	INTREPDW_TP3115.00 - POTASH JUNCTION INTERCHANGE 115KV CKT 1	159	160	0.04974	95.2	LIVSTNRIDGE3115.00 - SAGE_BRUSH 3115.00 115KV CKT 1
FDNS	06ALL	2	25SP	ASGI_14_005	FROM->TO	LIVSTNRIDGE3115.00 - WIPP SUB 115KV CKT 1	159	160	0.03449	103.3467	KIOWA 7345.00 - RDRUNNER 7345.00 345KV CKT 1
FDNS	06ALL	2	25SP	ASGI_14_005	FROM->TO	LIVSTNRIDGE3115.00 - WIPP SUB 115KV CKT 1	159	160	0.03449	102.9601	RDRUNNER 7345.00 (UPDATE LATER) 345/115/13.2KV TRANSFORMER CKT 1
FDNS	06ALL	2	15WP	ASGI_14_005	TO->FROM	PLANT X STATION - TOLK STATION EAST 230KV CKT 2	557	557	0.29062	99.7	PLANT X STATION - TOLK STATION WEST 230KV CKT 1
FDNS	06ALL	2	20SP	ASGI_14_005							

SOLUTION	GROUP	SCENARIO	SEASON	SOURCE	DIRECTION	MONITORED ELEMENT	RATEA (MVA)	RATEB (MVA)	TDF	TC%LOADING (% MVA)	CONTINGENCY
FDNS	06ALL	2	15SP	ASGI_14_005	FROM->TO	PLANT X STATION (WH ALM20171) 230/115/13.2KV TRANSFORMER CKT 1	252	252	0.06031	104.7807	SPP-SWPS-K37
FDNS	06ALL	2	15SP	ASGI_14_005	FROM->TO	PLANT X STATION (WH ALM20171) 230/115/13.2KV TRANSFORMER CKT 1	252	252	0.06031	104.7599	LAMB COUNTY INTERCHANGE - TOLK STATION WEST 230KV CKT 1
FDNS	06ALL	2	15SP	ASGI_14_005	FROM->TO	PLANT X STATION (WH ALM20171) 230/115/13.2KV TRANSFORMER CKT 1	252	252	0.09899	104.2664	NEWHART 230 - PLANT X STATION 230KV CKT 1
FDNS	06ALL	2	15SP	ASGI_14_005	FROM->TO	PLANT X STATION (WH ALM20171) 230/115/13.2KV TRANSFORMER CKT 1	252	252	0.0848	102.3785	DEAF SMITH COUNTY INTERCHANGE - PLANT X STATION 230KV CKT 1
FDNS	06ALL	2	15SP	ASGI_14_005	FROM->TO	PLANT X STATION (WH ALM20171) 230/115/13.2KV TRANSFORMER CKT 1	252	252	0.06031	102.3506	LAMB COUNTY INTERCHANGE (WH ALM20172) 230/115/13.2KV TRANSFORMER CKT 1
FDNS	06ALL	2	15SP	ASGI_14_005	FROM->TO	PLANT X STATION (WH ALM20171) 230/115/13.2KV TRANSFORMER CKT 1	252	252	0.06031	102.3469	SPP-SWPS-K37
FDNS	06ALL	2	15SP	ASGI_14_005	FROM->TO	PLANT X STATION (WH ALM20171) 230/115/13.2KV TRANSFORMER CKT 1	252	252	0.06031	102.3256	LAMB COUNTY INTERCHANGE - TOLK STATION WEST 230KV CKT 1
FDNS	06ALL	2	15SP	ASGI_14_005	FROM->TO	PLANT X STATION (WH ALM20171) 230/115/13.2KV TRANSFORMER CKT 1	252	252	0.0848	99.6	DEAF SMITH COUNTY INTERCHANGE - PLANT X STATION 230KV CKT 1
FDNS	06ALL	2	15SP	ASGI_14_005	FROM->TO	PLANT X STATION (WH ALM20171) 230/115/13.2KV TRANSFORMER CKT 1	252	252	0.05678	95.6	GEN525493 1-PLANT X GEN #3
FDNS	06ALL	2	20WP	ASGI_14_005	FROM->TO	TUCO INTERCHANGE - TUCO_2 230.00 230KV CKT 1	329	361	0.12552	101.7389	SPP-SWPS-01
FDNS	06ALL	2	20WP	ASGI_14_005	FROM->TO	TUCO INTERCHANGE - TUCO_2 230.00 230KV CKT 1	329	361	0.12725	100.0723	TUCO INTERCHANGE (GE M1022338) 345/230/13.2KV TRANSFORMER CKT 1
FDNS	06ALL	2	15G	ASGI_14_005	FROM->TO	TUCO INTERCHANGE - TUCO_2 230.00 230KV CKT 1	319	351	0.15585	98.75284	LAWTON EASTSIDE - OKLAUNION 345KV CKT 1
FDNS	06ALL	2	15SP	ASGI_14_005	FROM->TO	TUCO INTERCHANGE - TUCO_2 230.00 230KV CKT 1	319	351	0.18961	96.5	TUCO INTERCHANGE - TUCO_2 345.00 345KV CKT 1
FDNS	06ALL	2	15WP	ASGI_14_005	FROM->TO	TUCO INTERCHANGE - TUCO_2 230.00 230KV CKT 1	329	361	0.22139	96.4	TUCO INTERCHANGE (GE M1022338) 345/230/13.2KV TRANSFORMER CKT 1
FDNS	06ALL	2	15WP	ASGI_14_005	FROM->TO	TUCO INTERCHANGE - TUCO_2 230.00 230KV CKT 1	329	361	0.21264	95.1	SPP-SWPS-01
FDNS	06ALL	3	15G	ASGI_14_005	FROM->TO	CLEARWATER - GILL ENERGY CENTER WEST 138KV CKT 1	143	143	0.03288	100.3353	DBL-THIS-WIC
FDNS	06ALL	3	15G	ASGI_14_005	TO->FROM	CLEARWATER - MILAN TAP 138KV CKT 1	110	110	0.03288	139.9081	DBL-THIS-WIC
FDNS	06ALL	3	20WP	ASGI_14_005	TO->FROM	CLEARWATER - MILAN TAP 138KV CKT 1	110	110	0.03272	108.5249	DBL-THIS-WIC
FDNS	06ALL	3	15WP	ASGI_14_005	TO->FROM	CLEARWATER - MILAN TAP 138KV CKT 1	110	110	0.03312	106.1126	DBL-THIS-WIC
FDNS	06ALL	3	15SP	ASGI_14_005	TO->FROM	CLEARWATER - MILAN TAP 138KV CKT 1	110	110	0.0331	99.9	DBL-THIS-WIC
FDNS	06ALL	3	15SP	ASGI_14_005	FROM->TO	CURRY COUNTY INTERCHANGE - DEAF SMITH REC-#20 115KV CKT 1	96	96	0.06268	120.7305	DEAF SMITH COUNTY INTERCHANGE - PLANT X STATION 230KV CKT 1
FDNS	06ALL	3	20SP	ASGI_14_005	FROM->TO	CURRY COUNTY INTERCHANGE - DEAF SMITH REC-#20 115KV CKT 1	96	96	0.04582	104.6276	DEAF SMITH COUNTY INTERCHANGE - PLANT X STATION 230KV CKT 1
FDNS	06ALL	3	15SP	ASGI_14_005	FROM->TO	CURRY COUNTY INTERCHANGE - DEAF SMITH REC-#20 115KV CKT 1	96	96	0.04655	103.3912	LAWTON EASTSIDE - OKLAUNION 345KV CKT 1
FDNS	06ALL	3	15SP	ASGI_14_005	TO->FROM	DEAF SMITH COUNTY INTERCHANGE - PLANT X STATION 230KV CKT 1	319	351	0.18559	109.4403	LAWTON EASTSIDE - OKLAUNION 345KV CKT 1
FDNS	06ALL	3	15SP	ASGI_14_005	TO->FROM	DEAF SMITH COUNTY INTERCHANGE - PLANT X STATION 230KV CKT 1	319	351	0.20016	96.9	NEWHART 230 - PLANT X STATION 230KV CKT 1
FDNS	06ALL	3	15SP	ASGI_14_005	TO->FROM	DEAF SMITH COUNTY INTERCHANGE - PLANT X STATION 230KV CKT 1	319	351	0.18673	96.2	SPP-SWPS-01
FDNS	06ALL	3	15SP	ASGI_14_005	TO->FROM	DEAF SMITH COUNTY INTERCHANGE - PLANT X STATION 230KV CKT 1	319	351	0.18559	96	SPSCONT-01
FDNS	06ALL	3	15SP	ASGI_14_005	TO->FROM	DEAF SMITH COUNTY INTERCHANGE - PLANT X STATION 230KV CKT 1	319	351	0.18559	95.8	OKLAUNION - TUCO INTERCHANGE 345KV CKT 1
FDNS	06ALL	3	15SP	ASGI_14_005	FROM->TO	DEAF SMITH REC-#20 - PARMER COUNTY SUB 115KV CKT 1	96	96	0.06268	107.5483	DEAF SMITH COUNTY INTERCHANGE - PLANT X STATION 230KV CKT 1
FDNS	06ALL	3	15SP	ASGI_14_005	TO->FROM	DEAF SMITH REC-#24 - PARMER COUNTY SUB 115KV CKT 1	96	96	0.06268	99.8	DEAF SMITH COUNTY INTERCHANGE - PLANT X STATION 230KV CKT 1
FDNS	06ALL	3	15G	ASGI_14_005	FROM->TO	ELK CITY 230KV (ELKCTY-6) 230/138/13.8KV TRANSFORMER CKT 1	287	316	0.11275	106.8002	LAWTON EASTSIDE - OKLAUNION 345KV CKT 1
FDNS	06ALL	3	15G	ASGI_14_005	FROM->TO	ELK CITY 230KV (ELKCTY-6) 230/138/13.8KV TRANSFORMER CKT 1	287	316	0.11275	104.9708	LAWTON EASTSIDE - OKLAUNION 345KV CKT 1
FDNS	06ALL	3	15SP	ASGI_14_005	FROM->TO	ELK CITY 230KV (ELKCTY-6) 230/138/13.8KV TRANSFORMER CKT 1	272	316	0.12074	100.0238	LAWTON EASTSIDE - OKLAUNION 345KV CKT 1
FDNS	06ALL	3	15WP	ASGI_14_005	FROM->TO	ELK CITY 230KV (ELKCTY-6) 230/138/13.8KV TRANSFORMER CKT 1	287	316	0.12424	99.80477	LAWTON EASTSIDE - OKLAUNION 345KV CKT 1
FDNS	06ALL	3	15SP	ASGI_14_005	FROM->TO	ELK CITY 230KV (ELKCTY-6) 230/138/13.8KV TRANSFORMER CKT 1	272	316	0.12074	98.58963	LAWTON EASTSIDE - OKLAUNION 345KV CKT 1
FDNS	06ALL	3	15WP	ASGI_14_005	FROM->TO	ELK CITY 230KV (ELKCTY-6) 230/138/13.8KV TRANSFORMER CKT 1	287	316	0.12424	98.40416	LAWTON EASTSIDE - OKLAUNION 345KV CKT 1
FDNS	06ALL	3	15G	ASGI_14_005	FROM->TO	ELK CITY 230KV (ELKCTY-6) 230/138/13.8KV TRANSFORMER CKT 1	287	316	0.11275	97.5	SPSCONT-01
FDNS	06ALL	3	15G	ASGI_14_005	FROM->TO	ELK CITY 230KV (ELKCTY-6) 230/138/13.8KV TRANSFORMER CKT 1	287	316	0.11336	96.7	SPP-SWPS-01
FDNS-CHECK-TC-Iteration Limit Exceeded.	06ALL	3	15G	ASGI_14_005	FROM->TO	ELK CITY 230KV (ELKCTY-6) 230/138/13.8KV TRANSFORMER CKT 1	287	316	0.09761	96.7	DBL-G1114-WW
FDNS	06ALL	3	15G	ASGI_14_005	FROM->TO	ELK CITY 230KV (ELKCTY-6) 230/138/13.8KV TRANSFORMER CKT 1	287	316	0.11275	96.5	SPSCONT-01
FDNS	06ALL	3	15G	ASGI_14_005	FROM->TO	ELK CITY 230KV (ELKCTY-6) 230/138/13.8KV TRANSFORMER CKT 1	287	316	0.11275	96.4	OKLAUNION - TUCO INTERCHANGE 345KV CKT 1
FDNS	06ALL	3	15G	ASGI_14_005	FROM->TO	ELK CITY 230KV (ELKCTY-6) 230/138/13.8KV TRANSFORMER CKT 1	287	316	0.09761	95.6	DBL-BVR-G111
FDNS-CHECK-TC-Iteration Limit Exceeded.	06ALL	3	15G	ASGI_14_005	FROM->TO	ELK CITY 230KV (ELKCTY-6) 230/138/13.8KV TRANSFORMER CKT 1	287	316	0.09761	95.6	DBL-G1114-WW
FDNS	06ALL	3	15G	ASGI_14_005	FROM->TO	ELK CITY 230KV (ELKCTY-6) 230/138/13.8KV TRANSFORMER CKT 1	287	316	0.11336	95.5	SPP-SWPS-01
FDNS	06ALL	3	15G	ASGI_14_005	FROM->TO	ELK CITY 230KV (ELKCTY-6) 230/138/13.8KV TRANSFORMER CKT 1	287	316	0.11275	95.3	OKLAUNION - TUCO INTERCHANGE 345KV CKT 1
FDNS	06ALL	3	15SP	ASGI_14_005	TO->FROM	FLATRDRG3 - THISTLE4 138.00 138KV CKT 1	286	286	0.04776	98.1	DBL-THIS-WIC
FDNS	06ALL	3	15G	ASGI_14_005	TO->FROM	FPL SWITCH - WOODWARD 138KV CKT 1	133	153	0.04546	161.139	NORTHWEST - TATONGA7 345.00 345KV CKT 1
FDNS	06ALL	3	15G	ASGI_14_005	TO->FROM	FPL SWITCH - WOODWARD 138KV CKT 1	133	153	0.0536	159.4606	DBL-THIS-WWR
FDNS	06ALL	3	15G	ASGI_14_005	TO->FROM	FPL SWITCH - WOODWARD 138KV CKT 1	133	153	0.04546	157.7752	SPSCONT-05B
FDNS	06ALL	3	15G	ASGI_14_005	TO->FROM	FPL SWITCH - WOODWARD 138KV CKT 1	133	153	0.04546	157.1729	SPSCONT-04
FDNS	06ALL	3	15G	ASGI_14_005	TO->FROM	FPL SWITCH - WOODWARD 138KV CKT 1	133	153	0.04295	154.0712	DBL-THIS-WIC
FDNS	06ALL	3	15G	ASGI_14_005	TO->FROM	FPL SWITCH - WOODWARD 138KV CKT 1	133	153	0.04721	152.6468	LAWTON EASTSIDE - OKLAUNION 345KV CKT 1
FDNS	06ALL	3	15G	ASGI_14_005	TO->FROM	FPL SWITCH - WOODWARD 138KV CKT 1	133	153	0.04546	147.5252	G11_051T 345.00 - TATONGA7 345.00 345KV CKT 1
FDNS	06ALL	3	15G	ASGI_14_005	TO->FROM	FPL SWITCH - WOODWARD 138KV CKT 1	133	153	0.04546	146.2378	G11_051T 345.00 - WOODWARD DISTRICT EHV 345KV CKT 1
FDNS	06ALL	3	15G	ASGI_14_005	TO->FROM	FPL SWITCH - WOODWARD 138KV CKT 1	133	153	0.03187	143.417	WOODWARD (WOODWRD2) 138/69/13.2KV TRANSFORMER CKT 1
FDNS	06ALL	3	15G	ASGI_14_005	TO->FROM	FPL SWITCH - WOODWARD 138KV CKT 1	133	153	0.04546	143.0314	SPSCONT-05AX
FDNS	06ALL	3	15G	ASGI_14_005	TO->FROM	FPL SWITCH - WOODWARD 138KV CKT 1	133	153	0.04148	142.1867	ELK CITY 230KV - SWEETWATER 230KV CKT 1
FDNS	06ALL	3	15G	ASGI_14_005	TO->FROM	FPL SWITCH - WOODWARD 138KV CKT 1	133	153	0.04148	142.1522	ELK CITY 230KV (ELKCTY-6) 230/138/13.8KV TRANSFORMER CKT 1
FDNS	06ALL	3	15G	ASGI_14_005	TO->FROM	FPL SWITCH - WOODWARD 138KV CKT 1	133	153	0.04721	141.5408	SPSCONT-01
FDNS	06ALL	3	15G	ASGI_14_005	TO->FROM	FPL SWITCH - WOODWARD 138KV CKT 1	133	153	0.0417	139.7718	SPP-SWPS-03
FDNS	06ALL	3	15G	ASGI_14_005	TO->FROM	FPL SWITCH - WOODWARD 138KV CKT 1	133	153	0.04721	139.4068	OKLAUNION - TUCO INTERCHANGE 345KV CKT 1
FDNS	06ALL	3	15G	ASGI_14_005	TO->FROM	FPL SWITCH - WOODWARD 138KV CKT 1	133	153	0.047	139.2189	SPP-SWPS-01

SOLUTION	GROUP	SCENARIO	SEASON	SOURCE	DIRECTION	MONITORED ELEMENT	RATEA (MVA)	RATEB (MVA)	TC%LOADING TDF	(% MVA)	CONTINGENCY
FDNS	06ALL	3	15G	ASGI_14_005	TO->FROM	FPL SWITCH - WOODWARD 138KV CKT 1	133	153	0.04148	138.5807	SPP-SWPS-02A
FDNS	06ALL	3	15G	ASGI_14_005	TO->FROM	FPL SWITCH - WOODWARD 138KV CKT 1	133	153	0.04148	138.419	GRAPEVINE INTERCHANGE - STATELINE INTERCHANGE 230KV CKT 1
FDNS	06ALL	3	15G	ASGI_14_005	TO->FROM	FPL SWITCH - WOODWARD 138KV CKT 1	133	153	0.03387	137.3554	IODINE - WOODWARD EHV 138KV CKT 1
FDNS	06ALL	3	15G	ASGI_14_005	TO->FROM	FPL SWITCH - WOODWARD 138KV CKT 1	133	153	0.03387	135.3142	DEWEY - IODINE 138KV CKT 1
FDNS	06ALL	3	15G	ASGI_14_005	TO->FROM	FPL SWITCH - WOODWARD 138KV CKT 1	133	153	0.04148	132.9488	STATELINE INTERCHANGE - STLN-DEMARC6 230KV CKT 1
FDNS	06ALL	3	15G	ASGI_14_005	TO->FROM	FPL SWITCH - WOODWARD 138KV CKT 1	133	153	0.04148	132.9455	SPP-SWPS-02
FDNS	06ALL	3	15G	ASGI_14_005	TO->FROM	FPL SWITCH - WOODWARD 138KV CKT 1	133	153	0.04148	132.9341	STLN-DEMARC6 - SWEETWATER 230KV CKT 1
FDNS	06ALL	3	15G	ASGI_14_005	TO->FROM	FPL SWITCH - WOODWARD 138KV CKT 1	133	153	0.03432	130.4008	GRAPEVINE INTERCHANGE - NICHOLS STATION 230KV CKT 1
FDNS	06ALL	3	15G	ASGI_14_005	TO->FROM	FPL SWITCH - WOODWARD 138KV CKT 1	133	153	0.03187	130.0269	WOODWARD - WOODWARD 69KV CKT 1
FDNS	06ALL	3	15G	ASGI_14_005	TO->FROM	FPL SWITCH - WOODWARD 138KV CKT 1	133	153	0.03464	126.1489	THISTLE7 345.00 - WOODWARD DISTRICT EHV 345KV CKT 1
FDNS	06ALL	3	15G	ASGI_14_005	TO->FROM	FPL SWITCH - WOODWARD 138KV CKT 1	133	153	0.03464	126.1489	THISTLE7 345.00 - WOODWARD DISTRICT EHV 345KV CKT 2
FDNS	06ALL	3	15G	ASGI_14_005	TO->FROM	FPL SWITCH - WOODWARD 138KV CKT 1	133	153	0.0341	124.4764	FINNEY SWITCHING STATION - HOLCOMB 345KV CKT 1
FDNS	06ALL	3	15G	ASGI_14_005	TO->FROM	FPL SWITCH - WOODWARD 138KV CKT 1	133	153	0.03171	124.1911	THISTLE7 345.00 - WICHITA 345KV CKT 1
FDNS	06ALL	3	15G	ASGI_14_005	TO->FROM	FPL SWITCH - WOODWARD 138KV CKT 1	133	153	0.03171	124.1911	THISTLE7 345.00 - WICHITA 345KV CKT 2
FDNS	06ALL	3	15G	ASGI_14_005	TO->FROM	FPL SWITCH - WOODWARD 138KV CKT 1	133	153	0.0341	123.2348	SPP-SWPS-05
FDNS	06ALL	3	15G	ASGI_14_005	TO->FROM	FPL SWITCH - WOODWARD 138KV CKT 1	133	153	0.0341	123.1767	FINNEY SWITCHING STATION - Hitchland Interchange 345KV CKT 1
FDNS	06ALL	3	15G	ASGI_14_005	TO->FROM	FPL SWITCH - WOODWARD 138KV CKT 1	133	153	0.03151	120.7358	ELLIS 4 138.00 - RED HILLS WIND 138KV CKT 1
FDNS	06ALL	3	15G	ASGI_14_005	TO->FROM	FPL SWITCH - WOODWARD 138KV CKT 1	133	153	0.03151	118.208	ELLIS 4 138.00 - MOREWOOD SW 138KV CKT 1
FDNS	06ALL	3	15SP	ASGI_14_005	TO->FROM	FPL SWITCH - WOODWARD 138KV CKT 1	133	153	0.05682	111.727	DBL-THIS-WWR
FDNS	06ALL	3	15G	ASGI_14_005	TO->FROM	FPL SWITCH - WOODWARD 138KV CKT 1	133	153	0.03151	106.2134	ELK CITY - RED HILLS WIND 138KV CKT 1
FDNS	06ALL	3	15SP	ASGI_14_005	TO->FROM	FPL SWITCH - WOODWARD 138KV CKT 1	133	153	0.04838	105.3474	NORTHWEST - TATONGA7 345.00 345KV CKT 1
FDNS	06ALL	3	15SP	ASGI_14_005	TO->FROM	FPL SWITCH - WOODWARD 138KV CKT 1	133	153	0.05017	104.763	LAWTON EASTSIDE - OKLAUNION 345KV CKT 1
FDNS	06ALL	3	15SP	ASGI_14_005	TO->FROM	FPL SWITCH - WOODWARD 138KV CKT 1	133	153	0.04838	102.5806	SPSCONT-05B
FDNS	06ALL	3	15SP	ASGI_14_005	TO->FROM	FPL SWITCH - WOODWARD 138KV CKT 1	133	153	0.04838	101.4405	SPSCONT-04
FDNS	06ALL	3	15SP	ASGI_14_005	TO->FROM	FPL SWITCH - WOODWARD 138KV CKT 1	133	153	0.04587	100.7966	DBL-THIS-WIC
FDNS	06ALL	3	15SP	ASGI_14_005	TO->FROM	FPL SWITCH - WOODWARD 138KV CKT 1	133	153	0.03517	97.7	WOODWARD (WOODWRD2) 138/69/13.2KV TRANSFORMER CKT 1
FDNS	06ALL	3	20WP	ASGI_14_005	TO->FROM	FPL SWITCH - WOODWARD 138KV CKT 1	171	185	0.05099	96.7	NORTHWEST - TATONGA7 345.00 345KV CKT 1
FDNS	06ALL	3	20WP	ASGI_14_005	TO->FROM	FPL SWITCH - WOODWARD 138KV CKT 1	171	185	0.0605	96	DBL-THIS-WWR
FDNS	06ALL	3	15G	ASGI_14_005	TO->FROM	GRAPEVINE INTERCHANGE - NICHOLS STATION 230KV CKT 1	319	351	0.10129	104.2251	LAWTON EASTSIDE - OKLAUNION 345KV CKT 1
FDNS	06ALL	3	20WP	ASGI_14_005	TO->FROM	GRAPEVINE INTERCHANGE - NICHOLS STATION 230KV CKT 1	329	361	0.12869	102.6177	LAWTON EASTSIDE - OKLAUNION 345KV CKT 1
FDNS	06ALL	3	15SP	ASGI_14_005	TO->FROM	GRAPEVINE INTERCHANGE - NICHOLS STATION 230KV CKT 1	319	351	0.10279	99.55151	LAWTON EASTSIDE - OKLAUNION 345KV CKT 1
FDNS	06ALL	3	15G	ASGI_14_005	FROM->TO	GRAPEVINE INTERCHANGE - STATELINE INTERCHANGE 230KV CKT 1	319	351	0.11275	96.19302	LAWTON EASTSIDE - OKLAUNION 345KV CKT 1
FDNS	06ALL	3	15G	ASGI_14_005	FROM->TO	HARPER - MILAN TAP 138KV CKT 1	138	143	0.03288	116.387	DBL-THIS-WIC
FDNS	06ALL	3	15SP	ASGI_14_005	FROM->TO	HARPER - MILAN TAP 138KV CKT 1	127	136	0.0331	104.4151	DBL-THIS-WIC
FDNS	06ALL	3	15WP	ASGI_14_005	FROM->TO	HARPER - MILAN TAP 138KV CKT 1	143	143	0.03312	102.7046	DBL-THIS-WIC
FDNS	06ALL	3	25SP	ASGI_14_005	TO->FROM	IMC #1_TP 3115.00 - INTREPDW_TP3115.00 115KV CKT 1	159	160	0.07078	137.5409	KIOWA 7345.00 - RDRUNNER 7345.00 345KV CKT 1
FDNS	06ALL	3	25SP	ASGI_14_005	TO->FROM	IMC #1_TP 3115.00 - INTREPDW_TP3115.00 115KV CKT 1	159	160	0.07078	137.4969	RDRUNNER 7345.00 (UPDATE LATER) 345/115/13.2KV TRANSFORMER CKT 1
FDNS	06ALL	3	20SP	ASGI_14_005	TO->FROM	IMC #1_TP 3115.00 - INTREPDW_TP3115.00 115KV CKT 1	159	160	0.07078	118.2032	KIOWA 7345.00 - RDRUNNER 7345.00 345KV CKT 1
FDNS	06ALL	3	20SP	ASGI_14_005	TO->FROM	IMC #1_TP 3115.00 - INTREPDW_TP3115.00 115KV CKT 1	159	160	0.07078	118.1718	RDRUNNER 7345.00 (UPDATE LATER) 345/115/13.2KV TRANSFORMER CKT 1
FDNS	06ALL	3	25SP	ASGI_14_005	TO->FROM	IMC #1_TP 3115.00 - INTREPDW_TP3115.00 115KV CKT 1	159	160	0.05536	117.9052	National Enrichment Plant Sub - TARGA 3115.00 115KV CKT 1
FDNS	06ALL	3	20WP	ASGI_14_005	TO->FROM	IMC #1_TP 3115.00 - INTREPDW_TP3115.00 115KV CKT 1	159	160	0.07069	117.212	RDRUNNER 7345.00 (UPDATE LATER) 345/115/13.2KV TRANSFORMER CKT 1
FDNS	06ALL	3	20WP	ASGI_14_005	TO->FROM	IMC #1_TP 3115.00 - INTREPDW_TP3115.00 115KV CKT 1	159	160	0.07069	117.2052	KIOWA 7345.00 - RDRUNNER 7345.00 345KV CKT 1
FDNS	06ALL	3	25SP	ASGI_14_005	TO->FROM	IMC #1_TP 3115.00 - INTREPDW_TP3115.00 115KV CKT 1	159	160	0.05536	113.3251	National Enrichment Plant Tap - TARGA 3115.00 115KV CKT 1
FDNS	06ALL	3	25SP	ASGI_14_005	TO->FROM	IMC #1_TP 3115.00 - INTREPDW_TP3115.00 115KV CKT 1	159	160	0.0472	113.1911	SPP-SWPS-T85
FDNS	06ALL	3	25SP	ASGI_14_005	TO->FROM	IMC #1_TP 3115.00 - INTREPDW_TP3115.00 115KV CKT 1	159	160	0.04975	109.323	LAGARTO 3115.00 - National Enrichment Plant Tap 115KV CKT 1
FDNS	06ALL	3	25SP	ASGI_14_005	TO->FROM	IMC #1_TP 3115.00 - INTREPDW_TP3115.00 115KV CKT 1	159	160	0.06547	101.5402	ANDREWS 3115.00 - National Enrichment Plant Sub 115KV CKT 1
FDNS	06ALL	3	25SP	ASGI_14_005	TO->FROM	IMC #1_TP 3115.00 - INTREPDW_TP3115.00 115KV CKT 1	159	160	0.06547	101.5382	ANDREWS 6230.00 - G14_012T 230.00 230KV CKT 1
FDNS	06ALL	3	25SP	ASGI_14_005	TO->FROM	IMC #1_TP 3115.00 - INTREPDW_TP3115.00 115KV CKT 1	159	160	0.06547	101.535	ANDRWXFM12
FDNS	06ALL	3	20SP	ASGI_14_005	TO->FROM	IMC #1_TP 3115.00 - INTREPDW_TP3115.00 115KV CKT 1	159	160	0.05536	97.3	National Enrichment Plant Sub - TARGA 3115.00 115KV CKT 1
FDNS	06ALL	3	20WP	ASGI_14_005	TO->FROM	IMC #1_TP 3115.00 - INTREPDW_TP3115.00 115KV CKT 1	159	160	0.05532	95.8	National Enrichment Plant Sub - TARGA 3115.00 115KV CKT 1
FDNS	06ALL	3	25SP	ASGI_14_005	TO->FROM	IMC #1_TP 3115.00 - INTREPDW_TP3115.00 115KV CKT 1	159	160	0.04975	95.4	LAGARTO 3115.00 - SAGE_BRUSH 3115.00 115KV CKT 1
FDNS	06ALL	3	25SP	ASGI_14_005	FROM->TO	IMC #1_TP 3115.00 - LIVSTNRIDGE3115.00 115KV CKT 1	159	160	0.07078	127.4397	KIOWA 7345.00 - RDRUNNER 7345.00 345KV CKT 1
FDNS	06ALL	3	25SP	ASGI_14_005	FROM->TO	IMC #1_TP 3115.00 - LIVSTNRIDGE3115.00 115KV CKT 1	159	160	0.07078	127.3849	RDRUNNER 7345.00 (UPDATE LATER) 345/115/13.2KV TRANSFORMER CKT 1
FDNS	06ALL	3	20SP	ASGI_14_005	FROM->TO	IMC #1_TP 3115.00 - LIVSTNRIDGE3115.00 115KV CKT 1	159	160	0.07078	108.3389	KIOWA 7345.00 - RDRUNNER 7345.00 345KV CKT 1
FDNS	06ALL	3	20SP	ASGI_14_005	FROM->TO	IMC #1_TP 3115.00 - LIVSTNRIDGE3115.00 115KV CKT 1	159	160	0.07078	108.2854	RDRUNNER 7345.00 (UPDATE LATER) 345/115/13.2KV TRANSFORMER CKT 1
FDNS	06ALL	3	25SP	ASGI_14_005	FROM->TO	IMC #1_TP 3115.00 - LIVSTNRIDGE3115.00 115KV CKT 1	159	160	0.05536	107.3667	National Enrichment Plant Sub - TARGA 3115.00 115KV CKT 1
FDNS	06ALL	3	25SP	ASGI_14_005	FROM->TO	IMC #1_TP 3115.00 - LIVSTNRIDGE3115.00 115KV CKT 1	159	160	0.05536	102.8689	National Enrichment Plant Tap - TARGA 3115.00 115KV CKT 1
FDNS	06ALL	3	25SP	ASGI_14_005	FROM->TO	IMC #1_TP 3115.00 - LIVSTNRIDGE3115.00 115KV CKT 1	159	160	0.0472	102.6974	SPP-SWPS-T85
FDNS	06ALL	3	25SP	ASGI_14_005	FROM->TO	IMC #1_TP 3115.00 - LIVSTNRIDGE3115.00 115KV CKT 1	159	160	0.04975	98.8	LAGARTO 3115.00 - National Enrichment Plant Tap 115KV CKT 1
FDNS	06ALL	3	20WP	ASGI_14_005	FROM->TO	IMC #1_TP 3115.00 - LIVSTNRIDGE3115.00 115KV CKT 1	165	177	0.07069	96.7	KIOWA 7345.00 - RDRUNNER 7345.00 345KV CKT 1
FDNS	06ALL	3	20WP	ASGI_14_005	FROM->TO	IMC #1_TP 3115.00 - LIVSTNRIDGE3115.00 115KV CKT 1	165	177	0.07069	96.7	RDRUNNER 7345.00 (UPDATE LATER) 345/115/13.2KV TRANSFORMER CKT 1
FDNS	06ALL	3	25SP	ASGI_14_005	TO->FROM	INTREPDW_TP3115.00 - POTASH JUNCTION INTERCHANGE 115KV CKT 1	159	160	0.07078	150.2874	KIOWA 7345.00 - RDRUNNER 7345.00 345KV CKT 1
FDNS	06ALL	3	25SP	ASGI_14_005	TO->FROM	INTREPDW_TP3115.00 - POTASH JUNCTION INTERCHANGE 115KV CKT 1	159	160	0.07078	150.2201	RDRUNNER 7345.00 (UPDATE LATER) 345/115/13.2KV TRANSFORMER CKT 1
FDNS	06ALL	3	20SP	ASGI_14_005	TO->FROM	INTREPDW_TP3115.00 - POTASH JUNCTION INTERCHANGE 115KV CKT 1	159	160	0.07078	132.7386	KIOWA 7345.00 - RDRUNNER 7345.00 345KV CKT 1
FDNS	06ALL	3	20SP	ASGI_14_005	TO->FROM	INTREPDW_TP3115.00 - POTASH JUNCTION INTERCHANGE 115KV CKT 1	159	160	0.07078	132.6902	RDRUNNER 7345.00 (UPDATE LATER) 345/115/13.2KV TRANSFORMER CKT 1
FDNS	06ALL	3	25SP	ASGI_14_005	TO->FROM	INTREPDW_TP3115.00 - POTASH JUNCTION INTERCHANGE 115KV CKT 1	159	160	0.05536	130.9341	National Enrichment Plant Sub - TARGA 3115.00 115KV CKT 1
FDNS	06ALL	3	25SP	ASGI_14_005	TO->FROM	INTREPDW_TP3115.00 - POTASH JUNCTION INTERCHANGE 115KV CKT 1	159	160	0.05536	126.3368	National Enrichment Plant Tap - TARGA 3115.00 115KV CKT 1
FDNS	06ALL	3	25SP	ASGI_14_005	TO->FROM	INTREPDW_TP3115.00 - POTASH JUNCTION INTERCHANGE 115KV CKT 1	159	160	0.0472	126.2025	SPP-SWPS-T85
FDNS	06ALL	3	25SP	ASGI_14_005	TO->FROM	INTREPDW_TP3115.00 - POTASH JUNCTION INTERCHANGE 115KV CKT 1	159	160	0.04975	122.3485	LAGARTO 3115.00 - National Enrichment Plant Tap 115KV CKT 1
FDNS	06ALL	3	20WP	ASGI_14_005	TO->FROM	INTREPDW_TP3115.00 - POTASH JUNCTION INTERCHANGE 115KV CKT 1	165	177	0.07069	117.8066	KIOWA 7345.00 - RDRUNNER 7345.00 345KV CKT 1
FDNS	06ALL	3	20WP	ASGI_14_005	TO->FROM	INTREPDW_TP3115.00 - POTASH JUNCTION INTERCHANGE 115KV CKT 1	165	177	0.07069	117.7968	RDRUNNER 7345.00 (UPDATE LATER) 345/115/13.2KV TRANSFORMER CKT 1
FDNS	06ALL	3	25SP	ASGI_14_005	TO->FROM	INTREPDW_TP3115.00 - POTASH JUNCTION INTERCHANGE 115KV CKT 1	159	160	0.06547	114.4902	ANDREWS 3115.00 - National Enrichment Plant Sub 115KV CKT 1

SOLUTION	GROUP	SCENARIO	SEASON	SOURCE	DIRECTION	MONITORED ELEMENT	RATEA (MVA)	RATEB (MVA)	TC%LOADING (% MVA)	CONTINGENCY	
FDNS	06ALL	3	25SP	ASGI_14_005	TO->FROM	INTREPDW_TP3115.00 - POTASH JUNCTION INTERCHANGE 115KV CKT 1	159	160	0.06547	114.4869	ANDREWS 6230.00 - G14_012T 230.00 230KV CKT 1
FDNS	06ALL	3	25SP	ASGI_14_005	TO->FROM	INTREPDW_TP3115.00 - POTASH JUNCTION INTERCHANGE 115KV CKT 1	159	160	0.06547	114.4845	ANDRWSXFMR12
FDNS	06ALL	3	20SP	ASGI_14_005	TO->FROM	INTREPDW_TP3115.00 - POTASH JUNCTION INTERCHANGE 115KV CKT 1	159	160	0.05536	112.1639	National Enrichment Plant Sub - TARGA 3115.00 115KV CKT 1
FDNS	06ALL	3	25SP	ASGI_14_005	TO->FROM	INTREPDW_TP3115.00 - POTASH JUNCTION INTERCHANGE 115KV CKT 1	159	160	0.04975	108.2447	LAGARTO 3115.00 - SAGE_BRUSH 3115.00 115KV CKT 1
FDNS	06ALL	3	20SP	ASGI_14_005	TO->FROM	INTREPDW_TP3115.00 - POTASH JUNCTION INTERCHANGE 115KV CKT 1	159	160	0.0472	107.937	SPP-SWPS-T85
FDNS	06ALL	3	20SP	ASGI_14_005	TO->FROM	INTREPDW_TP3115.00 - POTASH JUNCTION INTERCHANGE 115KV CKT 1	159	160	0.05536	107.8349	National Enrichment Plant Tap - TARGA 3115.00 115KV CKT 1
FDNS	06ALL	3	20SP	ASGI_14_005	TO->FROM	INTREPDW_TP3115.00 - POTASH JUNCTION INTERCHANGE 115KV CKT 1	159	160	0.04974	105.2966	LAGARTO 3115.00 - National Enrichment Plant Tap 115KV CKT 1
FDNS	06ALL	3	25SP	ASGI_14_005	TO->FROM	INTREPDW_TP3115.00 - POTASH JUNCTION INTERCHANGE 115KV CKT 1	159	160	0.07059	104.7771	KIOWA 7345.00 - NLOV_PLT 7345.00 345KV CKT 1
FDNS	06ALL	3	25SP	ASGI_14_005	TO->FROM	INTREPDW_TP3115.00 - POTASH JUNCTION INTERCHANGE 115KV CKT 1	159	160	0.06741	102.5681	BYRD SUB - MONUMENT TAP 115KV CKT 1
FDNS	06ALL	3	25SP	ASGI_14_005	TO->FROM	INTREPDW_TP3115.00 - POTASH JUNCTION INTERCHANGE 115KV CKT 1	159	160	0.06741	102.563	CUNNINGHAM STATION - MONUMENT TAP 115KV CKT 1
FDNS	06ALL	3	25SP	ASGI_14_005	TO->FROM	INTREPDW_TP3115.00 - POTASH JUNCTION INTERCHANGE 115KV CKT 1	159	160	0.06984	101.7121	CHINA_DRAW 3115.00 - WOOD_DRAW 3115.00 115KV CKT 1
FDNS	06ALL	3	25SP	ASGI_14_005	TO->FROM	INTREPDW_TP3115.00 - POTASH JUNCTION INTERCHANGE 115KV CKT 1	159	160	0.06741	101.4729	COOPER RANCH SUB - OIL_CENTER 3115.00 115KV CKT 1
FDNS	06ALL	3	25SP	ASGI_14_005	TO->FROM	INTREPDW_TP3115.00 - POTASH JUNCTION INTERCHANGE 115KV CKT 1	159	160	0.07032	101.3488	CHINA_DRAW 7345.00 (UPDATE LATER) 345/115/13.2KV TRANSFORMER CKT 1
FDNS	06ALL	3	25SP	ASGI_14_005	TO->FROM	INTREPDW_TP3115.00 - POTASH JUNCTION INTERCHANGE 115KV CKT 1	159	160	0.06741	101.3369	LEA ROAD SUB - OIL_CENTER 3115.00 115KV CKT 1
FDNS	06ALL	3	25SP	ASGI_14_005	TO->FROM	INTREPDW_TP3115.00 - POTASH JUNCTION INTERCHANGE 115KV CKT 1	159	160	0.07032	101.3365	CHINA_DRAW 7345.00 - NLOV_PLT 7345.00 345KV CKT 1
FDNS	06ALL	3	25SP	ASGI_14_005	TO->FROM	INTREPDW_TP3115.00 - POTASH JUNCTION INTERCHANGE 115KV CKT 1	159	160	0.06741	100.6866	BYRD SUB - COOPER RANCH SUB 115KV CKT 1
FDNS	06ALL	3	20SP	ASGI_14_005	TO->FROM	INTREPDW_TP3115.00 - POTASH JUNCTION INTERCHANGE 115KV CKT 1	159	160	0.06547	100	ANDREWS 3115.00 - National Enrichment Plant Sub 115KV CKT 1
FDNS	06ALL	3	20SP	ASGI_14_005	TO->FROM	INTREPDW_TP3115.00 - POTASH JUNCTION INTERCHANGE 115KV CKT 1	159	160	0.06547	100	ANDREWS 6230.00 - G14_012T 230.00 230KV CKT 1
FDNS	06ALL	3	20SP	ASGI_14_005	TO->FROM	INTREPDW_TP3115.00 - POTASH JUNCTION INTERCHANGE 115KV CKT 1	159	160	0.06547	100	ANDRWSXFMR12
FDNS	06ALL	3	20SP	ASGI_14_005	TO->FROM	INTREPDW_TP3115.00 - POTASH JUNCTION INTERCHANGE 115KV CKT 1	159	160	0.06547	99.9	G14_012T 230.00 - HOBBS INTERCHANGE 230KV CKT 1
FDNS	06ALL	3	25SP	ASGI_14_005	TO->FROM	INTREPDW_TP3115.00 - POTASH JUNCTION INTERCHANGE 115KV CKT 1	159	160	0.06741	99.5	LEA ROAD SUB - WARD SUB 115KV CKT 1
FDNS	06ALL	3	25SP	ASGI_14_005	TO->FROM	INTREPDW_TP3115.00 - POTASH JUNCTION INTERCHANGE 115KV CKT 1	159	160	0.06741	99.2	WARD SUB - WHITTEN SUB 115KV CKT 1
FDNS	06ALL	3	25SP	ASGI_14_005	TO->FROM	INTREPDW_TP3115.00 - POTASH JUNCTION INTERCHANGE 115KV CKT 1	159	160	0.06741	99	SPP-SWPS-T39
FDNS	06ALL	3	20WP	ASGI_14_005	TO->FROM	INTREPDW_TP3115.00 - POTASH JUNCTION INTERCHANGE 115KV CKT 1	165	177	0.05532	98.8	National Enrichment Plant Sub - TARGA 3115.00 115KV CKT 1
FDNS	06ALL	3	25SP	ASGI_14_005	TO->FROM	INTREPDW_TP3115.00 - POTASH JUNCTION INTERCHANGE 115KV CKT 1	159	160	0.05625	98.4	RDRUNNER 3115.00 - RED_BLUFF 3115.00 115KV CKT 1
FDNS	06ALL	3	25SP	ASGI_14_005	TO->FROM	INTREPDW_TP3115.00 - POTASH JUNCTION INTERCHANGE 115KV CKT 1	159	160	0.06783	97.8	PNDEROSATP 3115.00 - WHITTEN SUB 115KV CKT 1
FDNS	06ALL	3	20SP	ASGI_14_005	TO->FROM	INTREPDW_TP3115.00 - POTASH JUNCTION INTERCHANGE 115KV CKT 1	159	160	0.04974	96	LAGARTO 3115.00 - SAGE_BRUSH 3115.00 115KV CKT 1
FDNS	06ALL	3	25SP	ASGI_14_005	TO->FROM	INTREPDW_TP3115.00 - POTASH JUNCTION INTERCHANGE 115KV CKT 1	159	160	0.06783	96	OCHOA SUB - PNDEROSATP 3115.00 115KV CKT 1
FDNS	06ALL	3	20WP	ASGI_14_005	TO->FROM	INTREPDW_TP3115.00 - POTASH JUNCTION INTERCHANGE 115KV CKT 1	165	177	0.04718	95.8	SPP-SWPS-T85
FDNS	06ALL	3	25SP	ASGI_14_005	TO->FROM	INTREPDW_TP3115.00 - POTASH JUNCTION INTERCHANGE 115KV CKT 1	159	160	0.07042	95.8	GEN562495 1-G14_012_2 18.000
FDNS	06ALL	3	25SP	ASGI_14_005	TO->FROM	INTREPDW_TP3115.00 - POTASH JUNCTION INTERCHANGE 115KV CKT 1	159	160	0.06968	95.66859	ANDREWS 6230.00 (FROM BORDEN) 230/115/13.2KV TRANSFORMER CKT 2
FDNS	06ALL	3	25SP	ASGI_14_005	TO->FROM	INTREPDW_TP3115.00 - POTASH JUNCTION INTERCHANGE 115KV CKT 1	159	160	0.06968	95.64052	ANDREWS 6230.00 (FROM MIDLAND) 230/115/13.2KV TRANSFORMER CKT 1
FDNS	06ALL	3	20WP	ASGI_14_005	TO->FROM	INTREPDW_TP3115.00 - POTASH JUNCTION INTERCHANGE 115KV CKT 1	165	177	0.05532	95.5	National Enrichment Plant Tap - TARGA 3115.00 115KV CKT 1
FDNS	06ALL	3	25SP	ASGI_14_005	TO->FROM	INTREPDW_TP3115.00 - POTASH JUNCTION INTERCHANGE 115KV CKT 1	159	160	0.04975	95.2	LIVSTNRIDGE3115.00 - SAGE_BRUSH 3115.00 115KV CKT 1
FDNS	06ALL	3	25SP	ASGI_14_005	FROM->TO	LIVSTNRIDGE3115.00 - WIPP SUB 115KV CKT 1	159	160	0.03449	103.3611	KIOWA 7345.00 - RDRUNNER 7345.00 345KV CKT 1
FDNS	06ALL	3	25SP	ASGI_14_005	FROM->TO	LIVSTNRIDGE3115.00 - WIPP SUB 115KV CKT 1	159	160	0.03449	102.9746	RDRUNNER 7345.00 (UPDATE LATER) 345/115/13.2KV TRANSFORMER CKT 1
FDNS	06ALL	3	15WP	ASGI_14_005	TO->FROM	PLANT X STATION - TOLK STATION EAST 230KV CKT 2	557	557	0.28915	99.6	PLANT X STATION - TOLK STATION WEST 230KV CKT 1
FDNS	06ALL	3	20SP	ASGI_14_005	TO->FROM	PLANT X STATION - TOLK STATION EAST 230KV CKT 2	478	502	0.20024	96.2	PLANT X STATION - TOLK STATION WEST 230KV CKT 1
FDNS	06ALL	3	20SP	ASGI_14_005	TO->FROM	PLANT X STATION - TOLK STATION WEST 230KV CKT 1	478	502	0.20219	97	PLANT X STATION - TOLK STATION EAST 230KV CKT 2
FDNS	06ALL	3	15SP	ASGI_14_005	FROM->TO	PLANT X STATION (WH ALM20171) 230/115/13.2KV TRANSFORMER CKT 1	252	252	0.09883	106.8107	NEWHART 230 - PLANT X STATION 230KV CKT 1
FDNS	06ALL	3	15SP	ASGI_14_005	FROM->TO	PLANT X STATION (WH ALM20171) 230/115/13.2KV TRANSFORMER CKT 1	252	252	0.06005	104.6633	LAMB COUNTY INTERCHANGE - TOLK STATION WEST 230KV CKT 1
FDNS	06ALL	3	15SP	ASGI_14_005	FROM->TO	PLANT X STATION (WH ALM20171) 230/115/13.2KV TRANSFORMER CKT 1	252	252	0.06005	104.6607	LAMB COUNTY INTERCHANGE (WH ALM20172) 230/115/13.2KV TRANSFORMER CKT 1
FDNS	06ALL	3	15SP	ASGI_14_005	FROM->TO	PLANT X STATION (WH ALM20171) 230/115/13.2KV TRANSFORMER CKT 1	252	252	0.06005	104.6607	SPP-SWPS-K37
FDNS	06ALL	3	15SP	ASGI_14_005	FROM->TO	PLANT X STATION (WH ALM20171) 230/115/13.2KV TRANSFORMER CKT 1	252	252	0.09883	104.1177	NEWHART 230 - PLANT X STATION 230KV CKT 1
FDNS	06ALL	3	15SP	ASGI_14_005	FROM->TO	PLANT X STATION (WH ALM20171) 230/115/13.2KV TRANSFORMER CKT 1	252	252	0.08467	102.2408	DEAF SMITH COUNTY INTERCHANGE - PLANT X STATION 230KV CKT 1
FDNS	06ALL	3	15SP	ASGI_14_005	FROM->TO	PLANT X STATION (WH ALM20171) 230/115/13.2KV TRANSFORMER CKT 1	252	252	0.06005	102.2229	LAMB COUNTY INTERCHANGE - TOLK STATION WEST 230KV CKT 1
FDNS	06ALL	3	15SP	ASGI_14_005	FROM->TO	PLANT X STATION (WH ALM20171) 230/115/13.2KV TRANSFORMER CKT 1	252	252	0.06005	102.2204	LAMB COUNTY INTERCHANGE (WH ALM20172) 230/115/13.2KV TRANSFORMER CKT 1
FDNS	06ALL	3	15SP	ASGI_14_005	FROM->TO	PLANT X STATION (WH ALM20171) 230/115/13.2KV TRANSFORMER CKT 1	252	252	0.06005	102.2204	SPP-SWPS-K37
FDNS	06ALL	3	15SP	ASGI_14_005	FROM->TO	PLANT X STATION (WH ALM20171) 230/115/13.2KV TRANSFORMER CKT 1	252	252	0.08467	99.5	DEAF SMITH COUNTY INTERCHANGE - PLANT X STATION 230KV CKT 1
FDNS	06ALL	3	15SP	ASGI_14_005	FROM->TO	PLANT X STATION (WH ALM20171) 230/115/13.2KV TRANSFORMER CKT 1	252	252	0.05664	95.4	GEN525493 1-PLANT X GEN #3
FDNS	06ALL	4	15G	ASGI_14_005	FROM->TO	CLEARWATER - GILL ENERGY CENTER WEST 138KV CKT 1	143	143	0.03288	100.3353	DBL-THIS-WIC
FDNS	06ALL	4	15G	ASGI_14_005	TO->FROM	CLEARWATER - MILAN TAP 138KV CKT 1	110	110	0.03288	139.9081	DBL-THIS-WIC
FDNS	06ALL	4	20WP	ASGI_14_005	TO->FROM	CLEARWATER - MILAN TAP 138KV CKT 1	110	110	0.03272	108.5249	DBL-THIS-WIC
FDNS	06ALL	4	15WP	ASGI_14_005	TO->FROM	CLEARWATER - MILAN TAP 138KV CKT 1	110	110	0.03312	106.1126	DBL-THIS-WIC
FDNS	06ALL	4	15SP	ASGI_14_005	TO->FROM	CLEARWATER - MILAN TAP 138KV CKT 1	110	110	0.0331	99.9	DBL-THIS-WIC
FDNS	06ALL	4	15SP	ASGI_14_005	FROM->TO	CURRY COUNTY INTERCHANGE - DEAF SMITH REC-#20 115KV CKT 1	96	96	0.06268	120.7303	DEAF SMITH COUNTY INTERCHANGE - PLANT X STATION 230KV CKT 1
FDNS	06ALL	4	20SP	ASGI_14_005	FROM->TO	CURRY COUNTY INTERCHANGE - DEAF SMITH REC-#20 115KV CKT 1	96	96	0.04582	104.6276	DEAF SMITH COUNTY INTERCHANGE - PLANT X STATION 230KV CKT 1
FDNS	06ALL	4	15SP	ASGI_14_005	FROM->TO	CURRY COUNTY INTERCHANGE - DEAF SMITH REC-#20 115KV CKT 1	96	96	0.04655	103.3913	LAWTON EASTSIDE - OKLAUNION 345KV CKT 1
FDNS	06ALL	4	15SP	ASGI_14_005	TO->FROM	DEAF SMITH COUNTY INTERCHANGE - PLANT X STATION 230KV CKT 1	319	351	0.18559	109.4404	LAWTON EASTSIDE - OKLAUNION 345KV CKT 1
FDNS	06ALL	4	15SP	ASGI_14_005	TO->FROM	DEAF SMITH COUNTY INTERCHANGE - PLANT X STATION 230KV CKT 1	319	351	0.20016	96.9	NEWHART 230 - PLANT X STATION 230KV CKT 1
FDNS	06ALL	4	15SP	ASGI_14_005	TO->FROM	DEAF SMITH COUNTY INTERCHANGE - PLANT X STATION 230KV CKT 1	319	351	0.18673	96.2	SPP-SWPS-01
FDNS	06ALL	4	15SP	ASGI_14_005	TO->FROM	DEAF SMITH COUNTY INTERCHANGE - PLANT X STATION 230KV CKT 1	319	351	0.18559	96	SPSCONT-01
FDNS	06ALL	4	15SP	ASGI_14_005	TO->FROM	DEAF SMITH COUNTY INTERCHANGE - PLANT X STATION 230KV CKT 1	319	351	0.18559	95.8	OKLAUNION - TUCO INTERCHANGE 345KV CKT 1
FDNS	06ALL	4	15SP	ASGI_14_005	FROM->TO	DEAF SMITH REC-#20 - PARMER COUNTY SUB 115KV CKT 1	96	96	0.06268	107.5483	DEAF SMITH COUNTY INTERCHANGE - PLANT X STATION 230KV CKT 1
FDNS	06ALL	4	15SP	ASGI_14_005	TO->FROM	DEAF SMITH REC-#24 - PARMER COUNTY SUB 115KV CKT 1	96	96	0.06268	99.8	DEAF SMITH COUNTY INTERCHANGE - PLANT X STATION 230KV CKT 1
FDNS	06ALL	4	15G	ASGI_14_005	FROM->TO	ELK CITY 230KV (ELKCTY-6) 230/138/13.8KV TRANSFORMER CKT 1	287	316	0.11275	106.8002	LAWTON EASTSIDE - OKLAUNION 345KV CKT 1
FDNS	06ALL	4	15G	ASGI_14_005	FROM->TO	ELK CITY 230KV (ELKCTY-6) 230/138/13.8KV TRANSFORMER CKT 1	287	316	0.11275	104.9708	LAWTON EASTSIDE - OKLAUNION 345KV CKT 1
FDNS	06ALL	4	15SP	ASGI_14_005	FROM->TO	ELK CITY 230KV (ELKCTY-6) 230/138/13.8KV TRANSFORMER CKT 1	272	316	0.12074	100.0245	LAWTON EASTSIDE - OKLAUNION 345KV CKT 1
FDNS	06ALL	4	15WP	ASGI_14_005	FROM->TO	ELK CITY 230KV (ELKCTY-6) 230/138/13.8KV TRANSFORMER CKT 1	287	316	0.12424	99.80477	LAWTON EASTSIDE - OKLAUNION 345KV CKT 1
FDNS	06ALL	4	15SP	ASGI_14_005	FROM->TO	ELK CITY 230KV (ELKCTY-6) 230/138/13.8KV TRANSFORMER CKT 1	272	316	0.12074	98.59045	LAWTON EASTSIDE - OKLAUNION 345KV CKT 1
FDNS	06ALL	4	15WP	ASGI_14_005	FROM->TO	ELK CITY 230KV (ELKCTY-6) 230/138/13.8KV TRANSFORMER CKT 1	287	316	0.12424	98.40416	LAWTON EASTSIDE - OKLAUNION 345KV CKT 1
FDNS											

SOLUTION	GROUP	SCENARIO	SEASON	SOURCE	DIRECTION	MONITORED ELEMENT	RATEA (MVA)	RATEB (MVA)	TDF	TC%LOADING (% MVA)	CONTINGENCY
FDNS	06ALL		4 15G	ASGI_14_005	FROM->TO	ELK CITY 230KV (ELKCTY-6) 230/138/13.8KV TRANSFORMER CKT 1	287	316	0.11336	96.7	SPP-SWPS-01
FDNS-CHECK-TC-Iteration Limit Exceeded.	06ALL		4 15G	ASGI_14_005	FROM->TO	ELK CITY 230KV (ELKCTY-6) 230/138/13.8KV TRANSFORMER CKT 1	287	316	0.09761	96.7	DBL-G1114-WW
FDNS	06ALL		4 15G	ASGI_14_005	FROM->TO	ELK CITY 230KV (ELKCTY-6) 230/138/13.8KV TRANSFORMER CKT 1	287	316	0.11275	96.5	SPSCONT-01
FDNS	06ALL		4 15G	ASGI_14_005	FROM->TO	ELK CITY 230KV (ELKCTY-6) 230/138/13.8KV TRANSFORMER CKT 1	287	316	0.11275	96.4	OKLAUNION - TUCO INTERCHANGE 345KV CKT 1
FDNS	06ALL		4 15G	ASGI_14_005	FROM->TO	ELK CITY 230KV (ELKCTY-6) 230/138/13.8KV TRANSFORMER CKT 1	287	316	0.09761	95.6	DBL-BVR-G111
FDNS-CHECK-TC-Iteration Limit Exceeded.	06ALL		4 15G	ASGI_14_005	FROM->TO	ELK CITY 230KV (ELKCTY-6) 230/138/13.8KV TRANSFORMER CKT 1	287	316	0.09761	95.6	DBL-G1114-WW
FDNS	06ALL		4 15G	ASGI_14_005	FROM->TO	ELK CITY 230KV (ELKCTY-6) 230/138/13.8KV TRANSFORMER CKT 1	287	316	0.11336	95.5	SPP-SWPS-01
FDNS	06ALL		4 15G	ASGI_14_005	FROM->TO	ELK CITY 230KV (ELKCTY-6) 230/138/13.8KV TRANSFORMER CKT 1	287	316	0.11275	95.3	OKLAUNION - TUCO INTERCHANGE 345KV CKT 1
FDNS	06ALL		4 15SP	ASGI_14_005	TO->FROM	FLATRDG3 - THISTLE4 138.00 138KV CKT 1	286	286	0.04776	98.1	DBL-THIS-WIC
FDNS	06ALL		4 15G	ASGI_14_005	TO->FROM	FPL SWITCH - WOODWARD 138KV CKT 1	133	153	0.04546	161.139	NORTHWEST - TATONGA7 345.00 345KV CKT 1
FDNS	06ALL		4 15G	ASGI_14_005	TO->FROM	FPL SWITCH - WOODWARD 138KV CKT 1	133	153	0.0536	159.4606	DBL-THIS-WWR
FDNS	06ALL		4 15G	ASGI_14_005	TO->FROM	FPL SWITCH - WOODWARD 138KV CKT 1	133	153	0.04546	157.7752	SPSCONT-05B
FDNS	06ALL		4 15G	ASGI_14_005	TO->FROM	FPL SWITCH - WOODWARD 138KV CKT 1	133	153	0.04546	157.1729	SPSCONT-04
FDNS	06ALL		4 15G	ASGI_14_005	TO->FROM	FPL SWITCH - WOODWARD 138KV CKT 1	133	153	0.04295	154.0712	DBL-THIS-WIC
FDNS	06ALL		4 15G	ASGI_14_005	TO->FROM	FPL SWITCH - WOODWARD 138KV CKT 1	133	153	0.04721	152.6468	LAWTON EASTSIDE - OKLAUNION 345KV CKT 1
FDNS	06ALL		4 15G	ASGI_14_005	TO->FROM	FPL SWITCH - WOODWARD 138KV CKT 1	133	153	0.04546	147.5252	G11_051T 345.00 - TATONGA7 345.00 345KV CKT 1
FDNS	06ALL		4 15G	ASGI_14_005	TO->FROM	FPL SWITCH - WOODWARD 138KV CKT 1	133	153	0.04546	146.2378	G11_051T 345.00 - WOODWARD DISTRICT EHV 345KV CKT 1
FDNS	06ALL		4 15G	ASGI_14_005	TO->FROM	FPL SWITCH - WOODWARD 138KV CKT 1	133	153	0.03187	143.417	WOODWARD (WOODWRD2) 138/69/13.2KV TRANSFORMER CKT 1
FDNS	06ALL		4 15G	ASGI_14_005	TO->FROM	FPL SWITCH - WOODWARD 138KV CKT 1	133	153	0.04546	143.0315	SPSCONT-05AX
FDNS	06ALL		4 15G	ASGI_14_005	TO->FROM	FPL SWITCH - WOODWARD 138KV CKT 1	133	153	0.04148	142.1867	ELK CITY 230KV - SWEETWATER 230KV CKT 1
FDNS	06ALL		4 15G	ASGI_14_005	TO->FROM	FPL SWITCH - WOODWARD 138KV CKT 1	133	153	0.04148	142.1522	ELK CITY 230KV (ELKCTY-6) 230/138/13.8KV TRANSFORMER CKT 1
FDNS	06ALL		4 15G	ASGI_14_005	TO->FROM	FPL SWITCH - WOODWARD 138KV CKT 1	133	153	0.04721	141.5408	SPSCONT-01
FDNS	06ALL		4 15G	ASGI_14_005	TO->FROM	FPL SWITCH - WOODWARD 138KV CKT 1	133	153	0.0417	139.7718	SPP-SWPS-03
FDNS	06ALL		4 15G	ASGI_14_005	TO->FROM	FPL SWITCH - WOODWARD 138KV CKT 1	133	153	0.04721	139.4068	OKLAUNION - TUCO INTERCHANGE 345KV CKT 1
FDNS	06ALL		4 15G	ASGI_14_005	TO->FROM	FPL SWITCH - WOODWARD 138KV CKT 1	133	153	0.047	139.2189	SPP-SWPS-01
FDNS	06ALL		4 15G	ASGI_14_005	TO->FROM	FPL SWITCH - WOODWARD 138KV CKT 1	133	153	0.04148	138.5807	SPP-SWPS-02A
FDNS	06ALL		4 15G	ASGI_14_005	TO->FROM	FPL SWITCH - WOODWARD 138KV CKT 1	133	153	0.04148	138.419	GRAPEVINE INTERCHANGE - STATELINE INTERCHANGE 230KV CKT 1
FDNS	06ALL		4 15G	ASGI_14_005	TO->FROM	FPL SWITCH - WOODWARD 138KV CKT 1	133	153	0.03387	137.3554	IODINE - WOODWARD EHV 138KV CKT 1
FDNS	06ALL		4 15G	ASGI_14_005	TO->FROM	FPL SWITCH - WOODWARD 138KV CKT 1	133	153	0.03387	135.3142	DEWEY - IODINE 138KV CKT 1
FDNS	06ALL		4 15G	ASGI_14_005	TO->FROM	FPL SWITCH - WOODWARD 138KV CKT 1	133	153	0.04148	132.9488	STATELINE INTERCHANGE - STLN-DEMARC6 230KV CKT 1
FDNS	06ALL		4 15G	ASGI_14_005	TO->FROM	FPL SWITCH - WOODWARD 138KV CKT 1	133	153	0.04148	132.9455	SPP-SWPS-02
FDNS	06ALL		4 15G	ASGI_14_005	TO->FROM	FPL SWITCH - WOODWARD 138KV CKT 1	133	153	0.04148	132.9341	STLN-DEMARC6 - SWEETWATER 230KV CKT 1
FDNS	06ALL		4 15G	ASGI_14_005	TO->FROM	FPL SWITCH - WOODWARD 138KV CKT 1	133	153	0.03432	130.4008	GRAPEVINE INTERCHANGE - NICHOLS STATION 230KV CKT 1
FDNS	06ALL		4 15G	ASGI_14_005	TO->FROM	FPL SWITCH - WOODWARD 138KV CKT 1	133	153	0.03187	130.0269	WOODWARD - WOODWARD 69KV CKT 1
FDNS	06ALL		4 15G	ASGI_14_005	TO->FROM	FPL SWITCH - WOODWARD 138KV CKT 1	133	153	0.03464	126.1489	THISTLE7 345.00 - WOODWARD DISTRICT EHV 345KV CKT 1
FDNS	06ALL		4 15G	ASGI_14_005	TO->FROM	FPL SWITCH - WOODWARD 138KV CKT 1	133	153	0.03464	126.1489	THISTLE7 345.00 - WOODWARD DISTRICT EHV 345KV CKT 2
FDNS	06ALL		4 15G	ASGI_14_005	TO->FROM	FPL SWITCH - WOODWARD 138KV CKT 1	133	153	0.0341	124.4764	FINNEY SWITCHING STATION - HOLCOMB 345KV CKT 1
FDNS	06ALL		4 15G	ASGI_14_005	TO->FROM	FPL SWITCH - WOODWARD 138KV CKT 1	133	153	0.03171	124.1911	THISTLE7 345.00 - WICHITA 345KV CKT 1
FDNS	06ALL		4 15G	ASGI_14_005	TO->FROM	FPL SWITCH - WOODWARD 138KV CKT 1	133	153	0.03171	124.1911	THISTLE7 345.00 - WICHITA 345KV CKT 2
FDNS	06ALL		4 15G	ASGI_14_005	TO->FROM	FPL SWITCH - WOODWARD 138KV CKT 1	133	153	0.0341	123.2349	SPP-SWPS-05
FDNS	06ALL		4 15G	ASGI_14_005	TO->FROM	FPL SWITCH - WOODWARD 138KV CKT 1	133	153	0.0341	123.1767	FINNEY SWITCHING STATION - Hitchland Interchange 345KV CKT 1
FDNS	06ALL		4 15G	ASGI_14_005	TO->FROM	FPL SWITCH - WOODWARD 138KV CKT 1	133	153	0.03151	120.7359	ELLIS 4 138.00 - RED HILLS WIND 138KV CKT 1
FDNS	06ALL		4 15G	ASGI_14_005	TO->FROM	FPL SWITCH - WOODWARD 138KV CKT 1	133	153	0.03151	118.208	ELLIS 4 138.00 - MOREWOOD SW 138KV CKT 1
FDNS	06ALL		4 15SP	ASGI_14_005	TO->FROM	FPL SWITCH - WOODWARD 138KV CKT 1	133	153	0.05682	111.727	DBL-THIS-WWR
FDNS	06ALL		4 15G	ASGI_14_005	TO->FROM	FPL SWITCH - WOODWARD 138KV CKT 1	133	153	0.03151	106.2134	ELK CITY - RED HILLS WIND 138KV CKT 1
FDNS	06ALL		4 15SP	ASGI_14_005	TO->FROM	FPL SWITCH - WOODWARD 138KV CKT 1	133	153	0.04838	105.3474	NORTHWEST - TATONGA7 345.00 345KV CKT 1
FDNS	06ALL		4 15SP	ASGI_14_005	TO->FROM	FPL SWITCH - WOODWARD 138KV CKT 1	133	153	0.05017	104.7642	LAWTON EASTSIDE - OKLAUNION 345KV CKT 1
FDNS	06ALL		4 15SP	ASGI_14_005	TO->FROM	FPL SWITCH - WOODWARD 138KV CKT 1	133	153	0.04838	102.5806	SPSCONT-05B
FDNS	06ALL		4 15SP	ASGI_14_005	TO->FROM	FPL SWITCH - WOODWARD 138KV CKT 1	133	153	0.04838	101.4405	SPSCONT-04
FDNS	06ALL		4 15SP	ASGI_14_005	TO->FROM	FPL SWITCH - WOODWARD 138KV CKT 1	133	153	0.04587	100.7966	DBL-THIS-WIC
FDNS	06ALL		4 15SP	ASGI_14_005	TO->FROM	FPL SWITCH - WOODWARD 138KV CKT 1	133	153	0.03517	97.7	WOODWARD (WOODWRD2) 138/69/13.2KV TRANSFORMER CKT 1
FDNS	06ALL		4 20WP	ASGI_14_005	TO->FROM	FPL SWITCH - WOODWARD 138KV CKT 1	171	185	0.05099	96.7	NORTHWEST - TATONGA7 345.00 345KV CKT 1
FDNS	06ALL		4 20WP	ASGI_14_005	TO->FROM	FPL SWITCH - WOODWARD 138KV CKT 1	171	185	0.0605	96	DBL-THIS-WWR
FDNS	06ALL		4 15G	ASGI_14_005	TO->FROM	GRAPEVINE INTERCHANGE - NICHOLS STATION 230KV CKT 1	319	351	0.10129	104.2251	LAWTON EASTSIDE - OKLAUNION 345KV CKT 1
FDNS	06ALL		4 20WP	ASGI_14_005	TO->FROM	GRAPEVINE INTERCHANGE - NICHOLS STATION 230KV CKT 1	329	361	0.12869	102.6177	LAWTON EASTSIDE - OKLAUNION 345KV CKT 1
FDNS	06ALL		4 15SP	ASGI_14_005	TO->FROM	GRAPEVINE INTERCHANGE - NICHOLS STATION 230KV CKT 1	319	351	0.10279	99.55219	LAWTON EASTSIDE - OKLAUNION 345KV CKT 1
FDNS	06ALL		4 15G	ASGI_14_005	FROM->TO	GRAPEVINE INTERCHANGE - STATELINE INTERCHANGE 230KV CKT 1	319	351	0.11275	96.19302	LAWTON EASTSIDE - OKLAUNION 345KV CKT 1
FDNS	06ALL		4 15G	ASGI_14_005	FROM->TO	HARPER - MILAN TAP 138KV CKT 1	138	143	0.03288	116.387	DBL-THIS-WIC
FDNS	06ALL		4 15SP	ASGI_14_005	FROM->TO	HARPER - MILAN TAP 138KV CKT 1	127	136	0.0331	104.4151	DBL-THIS-WIC
FDNS	06ALL		4 15WP	ASGI_14_005	FROM->TO	HARPER - MILAN TAP 138KV CKT 1	143	143	0.03312	102.7046	DBL-THIS-WIC
FDNS	06ALL		4 25SP	ASGI_14_005	TO->FROM	IMC_#1_TP 3115.00 - INTREPDW_TP3115.00 115KV CKT 1	159	160	0.07078	137.5409	KIOWA 7345.00 - RDRUNNER 7345.00 345KV CKT 1
FDNS	06ALL		4 25SP	ASGI_14_005	TO->FROM	IMC_#1_TP 3115.00 - INTREPDW_TP3115.00 115KV CKT 1	159	160	0.07078	137.4969	RDRUNNER 7345.00 (UPDATE LATER) 345/115/13.2KV TRANSFORMER CKT 1

SOLUTION	GROUP	SCENARIO	SEASON	SOURCE	DIRECTION	MONITORED ELEMENT	RATEA (MVA)	RATEB (MVA)	TDF	TC%LOADING (% MVA)	CONTINGENCY
FDNS	06ALL	4	20SP	ASGI_14_005	TO->FROM	IMC #1_TP 3115.00 - INTREPDW_TP3115.00 115KV CKT 1	159	160	0.07078	118.2032	KIOWA 7345.00 - RDRUNNER 7345.00 345KV CKT 1
FDNS	06ALL	4	20SP	ASGI_14_005	TO->FROM	IMC #1_TP 3115.00 - INTREPDW_TP3115.00 115KV CKT 1	159	160	0.07078	118.1717	RDRUNNER 7345.00 (UPDATE LATER) 345/115/13.2KV TRANSFORMER CKT 1
FDNS	06ALL	4	25SP	ASGI_14_005	TO->FROM	IMC #1_TP 3115.00 - INTREPDW_TP3115.00 115KV CKT 1	159	160	0.05536	117.9052	National Enrichment Plant Sub - TARGA 3115.00 115KV CKT 1
FDNS	06ALL	4	20WP	ASGI_14_005	TO->FROM	IMC #1_TP 3115.00 - INTREPDW_TP3115.00 115KV CKT 1	159	160	0.07069	117.212	RDRUNNER 7345.00 (UPDATE LATER) 345/115/13.2KV TRANSFORMER CKT 1
FDNS	06ALL	4	20WP	ASGI_14_005	TO->FROM	IMC #1_TP 3115.00 - INTREPDW_TP3115.00 115KV CKT 1	159	160	0.07069	117.2052	KIOWA 7345.00 - RDRUNNER 7345.00 345KV CKT 1
FDNS	06ALL	4	25SP	ASGI_14_005	TO->FROM	IMC #1_TP 3115.00 - INTREPDW_TP3115.00 115KV CKT 1	159	160	0.05536	113.325	National Enrichment Plant Tap - TARGA 3115.00 115KV CKT 1
FDNS	06ALL	4	25SP	ASGI_14_005	TO->FROM	IMC #1_TP 3115.00 - INTREPDW_TP3115.00 115KV CKT 1	159	160	0.0472	113.1911	SPP-SWPS-T85
FDNS	06ALL	4	25SP	ASGI_14_005	TO->FROM	IMC #1_TP 3115.00 - INTREPDW_TP3115.00 115KV CKT 1	159	160	0.04975	109.323	LAGARTO 3115.00 - National Enrichment Plant Tap 115KV CKT 1
FDNS	06ALL	4	25SP	ASGI_14_005	TO->FROM	IMC #1_TP 3115.00 - INTREPDW_TP3115.00 115KV CKT 1	159	160	0.06547	101.5402	ANDREWS 3115.00 - National Enrichment Plant Sub 115KV CKT 1
FDNS	06ALL	4	25SP	ASGI_14_005	TO->FROM	IMC #1_TP 3115.00 - INTREPDW_TP3115.00 115KV CKT 1	159	160	0.06547	101.5382	ANDREWS 6230.00 - G14_012T 230.00 230KV CKT 1
FDNS	06ALL	4	25SP	ASGI_14_005	TO->FROM	IMC #1_TP 3115.00 - INTREPDW_TP3115.00 115KV CKT 1	159	160	0.06547	101.535	ANDRWSXFMR12
FDNS	06ALL	4	20SP	ASGI_14_005	TO->FROM	IMC #1_TP 3115.00 - INTREPDW_TP3115.00 115KV CKT 1	159	160	0.05536	97.3	National Enrichment Plant Sub - TARGA 3115.00 115KV CKT 1
FDNS	06ALL	4	20WP	ASGI_14_005	TO->FROM	IMC #1_TP 3115.00 - INTREPDW_TP3115.00 115KV CKT 1	159	160	0.05532	95.8	National Enrichment Plant Sub - TARGA 3115.00 115KV CKT 1
FDNS	06ALL	4	25SP	ASGI_14_005	TO->FROM	IMC #1_TP 3115.00 - INTREPDW_TP3115.00 115KV CKT 1	159	160	0.04975	95.4	LAGARTO 3115.00 - SAGE_BRUSH 3115.00 115KV CKT 1
FDNS	06ALL	4	25SP	ASGI_14_005	FROM->TO	IMC #1_TP 3115.00 - LIVSTNRIDGE3115.00 115KV CKT 1	159	160	0.07078	127.4397	KIOWA 7345.00 - RDRUNNER 7345.00 345KV CKT 1
FDNS	06ALL	4	25SP	ASGI_14_005	FROM->TO	IMC #1_TP 3115.00 - LIVSTNRIDGE3115.00 115KV CKT 1	159	160	0.07078	127.3849	RDRUNNER 7345.00 (UPDATE LATER) 345/115/13.2KV TRANSFORMER CKT 1
FDNS	06ALL	4	20SP	ASGI_14_005	FROM->TO	IMC #1_TP 3115.00 - LIVSTNRIDGE3115.00 115KV CKT 1	159	160	0.07078	108.3389	KIOWA 7345.00 - RDRUNNER 7345.00 345KV CKT 1
FDNS	06ALL	4	20SP	ASGI_14_005	FROM->TO	IMC #1_TP 3115.00 - LIVSTNRIDGE3115.00 115KV CKT 1	159	160	0.07078	108.2854	RDRUNNER 7345.00 (UPDATE LATER) 345/115/13.2KV TRANSFORMER CKT 1
FDNS	06ALL	4	25SP	ASGI_14_005	FROM->TO	IMC #1_TP 3115.00 - LIVSTNRIDGE3115.00 115KV CKT 1	159	160	0.05536	107.3667	National Enrichment Plant Sub - TARGA 3115.00 115KV CKT 1
FDNS	06ALL	4	25SP	ASGI_14_005	FROM->TO	IMC #1_TP 3115.00 - LIVSTNRIDGE3115.00 115KV CKT 1	159	160	0.05536	102.8689	National Enrichment Plant Tap - TARGA 3115.00 115KV CKT 1
FDNS	06ALL	4	25SP	ASGI_14_005	FROM->TO	IMC #1_TP 3115.00 - LIVSTNRIDGE3115.00 115KV CKT 1	159	160	0.0472	102.6974	SPP-SWPS-T85
FDNS	06ALL	4	25SP	ASGI_14_005	FROM->TO	IMC #1_TP 3115.00 - LIVSTNRIDGE3115.00 115KV CKT 1	159	160	0.04975	98.8	LAGARTO 3115.00 - National Enrichment Plant Tap 115KV CKT 1
FDNS	06ALL	4	20WP	ASGI_14_005	FROM->TO	IMC #1_TP 3115.00 - LIVSTNRIDGE3115.00 115KV CKT 1	165	177	0.07069	96.7	KIOWA 7345.00 - RDRUNNER 7345.00 345KV CKT 1
FDNS	06ALL	4	20WP	ASGI_14_005	FROM->TO	IMC #1_TP 3115.00 - LIVSTNRIDGE3115.00 115KV CKT 1	165	177	0.07069	96.7	RDRUNNER 7345.00 (UPDATE LATER) 345/115/13.2KV TRANSFORMER CKT 1
FDNS	06ALL	4	25SP	ASGI_14_005	TO->FROM	INTREPDW_TP3115.00 - POTASH JUNCTION INTERCHANGE 115KV CKT 1	159	160	0.07078	150.2874	KIOWA 7345.00 - RDRUNNER 7345.00 345KV CKT 1
FDNS	06ALL	4	25SP	ASGI_14_005	TO->FROM	INTREPDW_TP3115.00 - POTASH JUNCTION INTERCHANGE 115KV CKT 1	159	160	0.07078	150.2201	RDRUNNER 7345.00 (UPDATE LATER) 345/115/13.2KV TRANSFORMER CKT 1
FDNS	06ALL	4	20SP	ASGI_14_005	TO->FROM	INTREPDW_TP3115.00 - POTASH JUNCTION INTERCHANGE 115KV CKT 1	159	160	0.07078	132.7386	KIOWA 7345.00 - RDRUNNER 7345.00 345KV CKT 1
FDNS	06ALL	4	20SP	ASGI_14_005	TO->FROM	INTREPDW_TP3115.00 - POTASH JUNCTION INTERCHANGE 115KV CKT 1	159	160	0.07078	132.6902	RDRUNNER 7345.00 (UPDATE LATER) 345/115/13.2KV TRANSFORMER CKT 1
FDNS	06ALL	4	25SP	ASGI_14_005	TO->FROM	INTREPDW_TP3115.00 - POTASH JUNCTION INTERCHANGE 115KV CKT 1	159	160	0.05536	130.9341	National Enrichment Plant Sub - TARGA 3115.00 115KV CKT 1
FDNS	06ALL	4	25SP	ASGI_14_005	TO->FROM	INTREPDW_TP3115.00 - POTASH JUNCTION INTERCHANGE 115KV CKT 1	159	160	0.05536	126.3368	National Enrichment Plant Tap - TARGA 3115.00 115KV CKT 1
FDNS	06ALL	4	25SP	ASGI_14_005	TO->FROM	INTREPDW_TP3115.00 - POTASH JUNCTION INTERCHANGE 115KV CKT 1	159	160	0.0472	126.2025	SPP-SWPS-T85
FDNS	06ALL	4	25SP	ASGI_14_005	TO->FROM	INTREPDW_TP3115.00 - POTASH JUNCTION INTERCHANGE 115KV CKT 1	159	160	0.04975	122.3485	LAGARTO 3115.00 - National Enrichment Plant Tap 115KV CKT 1
FDNS	06ALL	4	20WP	ASGI_14_005	TO->FROM	INTREPDW_TP3115.00 - POTASH JUNCTION INTERCHANGE 115KV CKT 1	165	177	0.07069	117.8066	KIOWA 7345.00 - RDRUNNER 7345.00 345KV CKT 1
FDNS	06ALL	4	20WP	ASGI_14_005	TO->FROM	INTREPDW_TP3115.00 - POTASH JUNCTION INTERCHANGE 115KV CKT 1	165	177	0.07069	117.7968	RDRUNNER 7345.00 (UPDATE LATER) 345/115/13.2KV TRANSFORMER CKT 1
FDNS	06ALL	4	25SP	ASGI_14_005	TO->FROM	INTREPDW_TP3115.00 - POTASH JUNCTION INTERCHANGE 115KV CKT 1	159	160	0.06547	114.4902	ANDREWS 3115.00 - National Enrichment Plant Sub 115KV CKT 1
FDNS	06ALL	4	25SP	ASGI_14_005	TO->FROM	INTREPDW_TP3115.00 - POTASH JUNCTION INTERCHANGE 115KV CKT 1	159	160	0.06547	114.4869	ANDREWS 6230.00 - G14_012T 230.00 230KV CKT 1
FDNS	06ALL	4	25SP	ASGI_14_005	TO->FROM	INTREPDW_TP3115.00 - POTASH JUNCTION INTERCHANGE 115KV CKT 1	159	160	0.06547	114.4845	ANDRWSXFMR12
FDNS	06ALL	4	20SP	ASGI_14_005	TO->FROM	INTREPDW_TP3115.00 - POTASH JUNCTION INTERCHANGE 115KV CKT 1	159	160	0.05536	112.1639	National Enrichment Plant Sub - TARGA 3115.00 115KV CKT 1
FDNS	06ALL	4	25SP	ASGI_14_005	TO->FROM	INTREPDW_TP3115.00 - POTASH JUNCTION INTERCHANGE 115KV CKT 1	159	160	0.04975	108.2447	LAGARTO 3115.00 - SAGE_BRUSH 3115.00 115KV CKT 1
FDNS	06ALL	4	20SP	ASGI_14_005	TO->FROM	INTREPDW_TP3115.00 - POTASH JUNCTION INTERCHANGE 115KV CKT 1	159	160	0.0472	107.937	SPP-SWPS-T85
FDNS	06ALL	4	20SP	ASGI_14_005	TO->FROM	INTREPDW_TP3115.00 - POTASH JUNCTION INTERCHANGE 115KV CKT 1	159	160	0.05536	107.8349	National Enrichment Plant Tap - TARGA 3115.00 115KV CKT 1
FDNS	06ALL	4	20SP	ASGI_14_005	TO->FROM	INTREPDW_TP3115.00 - POTASH JUNCTION INTERCHANGE 115KV CKT 1	159	160	0.04974	105.2966	LAGARTO 3115.00 - National Enrichment Plant Tap 115KV CKT 1
FDNS	06ALL	4	25SP	ASGI_14_005	TO->FROM	INTREPDW_TP3115.00 - POTASH JUNCTION INTERCHANGE 115KV CKT 1	159	160	0.07059	104.7771	KIOWA 7345.00 - NLOV_PLT 7345.00 345KV CKT 1
FDNS	06ALL	4	25SP	ASGI_14_005	TO->FROM	INTREPDW_TP3115.00 - POTASH JUNCTION INTERCHANGE 115KV CKT 1	159	160	0.06741	102.5681	BYRD SUB - MONUMENT TAP 115KV CKT 1
FDNS	06ALL	4	25SP	ASGI_14_005	TO->FROM	INTREPDW_TP3115.00 - POTASH JUNCTION INTERCHANGE 115KV CKT 1	159	160	0.06741	102.563	CUNNINGHAM STATION - MONUMENT TAP 115KV CKT 1
FDNS	06ALL	4	25SP	ASGI_14_005	TO->FROM	INTREPDW_TP3115.00 - POTASH JUNCTION INTERCHANGE 115KV CKT 1	159	160	0.06984	101.7121	CHINA_DRAW 3115.00 - WOOD_DRAW 3115.00 115KV CKT 1
FDNS	06ALL	4	25SP	ASGI_14_005	TO->FROM	INTREPDW_TP3115.00 - POTASH JUNCTION INTERCHANGE 115KV CKT 1	159	160	0.06741	101.4729	COOPER RANCH SUB - OIL_CENTER 3115.00 115KV CKT 1
FDNS	06ALL	4	25SP	ASGI_14_005	TO->FROM	INTREPDW_TP3115.00 - POTASH JUNCTION INTERCHANGE 115KV CKT 1	159	160	0.07032	101.3488	CHINA_DRAW 7345.00 (UPDATE LATER) 345/115/13.2KV TRANSFORMER CKT 1
FDNS	06ALL	4	25SP	ASGI_14_005	TO->FROM	INTREPDW_TP3115.00 - POTASH JUNCTION INTERCHANGE 115KV CKT 1	159	160	0.06741	101.3369	LEA ROAD SUB - OIL_CENTER 3115.00 115KV CKT 1
FDNS	06ALL	4	25SP	ASGI_14_005	TO->FROM	INTREPDW_TP3115.00 - POTASH JUNCTION INTERCHANGE 115KV CKT 1	159	160	0.07032	101.3365	CHINA_DRAW 7345.00 - NLOV_PLT 7345.00 345KV CKT 1
FDNS	06ALL	4	25SP	ASGI_14_005	TO->FROM	INTREPDW_TP3115.00 - POTASH JUNCTION INTERCHANGE 115KV CKT 1	159	160	0.06741	100.6866	BYRD SUB - COOPER RANCH SUB 115KV CKT 1
FDNS	06ALL	4	20SP	ASGI_14_005	TO->FROM	INTREPDW_TP3115.00 - POTASH JUNCTION INTERCHANGE 115KV CKT 1	159	160	0.06547	100	ANDREWS 3115.00 - National Enrichment Plant Sub 115KV CKT 1
FDNS	06ALL	4	20SP	ASGI_14_005	TO->FROM	INTREPDW_TP3115.00 - POTASH JUNCTION INTERCHANGE 115KV CKT 1	159	160	0.06547	100	ANDREWS 6230.00 - G14_012T 230.00 230KV CKT 1
FDNS	06ALL	4	20SP	ASGI_14_005	TO->FROM	INTREPDW_TP3115.00 - POTASH JUNCTION INTERCHANGE 115KV CKT 1	159	160	0.06547	100	ANDRWSXFMR12
FDNS	06ALL	4	20SP	ASGI_14_005	TO->FROM	INTREPDW_TP3115.00 - POTASH JUNCTION INTERCHANGE 115KV CKT 1	159	160	0.06547	99.9	G14_012T 230.00 - HOBBS INTERCHANGE 230KV CKT 1
FDNS	06ALL	4	25SP	ASGI_14_005	TO->FROM	INTREPDW_TP3115.00 - POTASH JUNCTION INTERCHANGE 115KV CKT 1	159	160	0.06741	99.5	LEA ROAD SUB - WARD SUB 115KV CKT 1
FDNS	06ALL	4	25SP	ASGI_14_005	TO->FROM	INTREPDW_TP3115.00 - POTASH JUNCTION INTERCHANGE 115KV CKT 1	159	160	0.06741	99.2	WARD SUB - WHITTEN SUB 115KV CKT 1
FDNS	06ALL	4	25SP	ASGI_14_005	TO->FROM	INTREPDW_TP3115.00 - POTASH JUNCTION INTERCHANGE 115KV CKT 1	159	160	0.06741	99	SPP-SWPS-T39
FDNS	06ALL	4	20WP	ASGI_14_005	TO->FROM	INTREPDW_TP3115.00 - POTASH JUNCTION INTERCHANGE 115KV CKT 1	165	177	0.05532	98.8	National Enrichment Plant Sub - TARGA 3115.00 115KV CKT 1
FDNS	06ALL	4	25SP	ASGI_14_005	TO->FROM	INTREPDW_TP3115.00 - POTASH JUNCTION INTERCHANGE 115KV CKT 1	159	160	0.05625	98.4	RDRUNNER 3115.00 - RED_BLUFF 3115.00 115KV CKT 1
FDNS	06ALL	4	25SP	ASGI_14_005	TO->FROM	INTREPDW_TP3115.00 - POTASH JUNCTION INTERCHANGE 115KV CKT 1	159	160	0.06783	97.8	PNDEROSATP 3115.00 - WHITTEN SUB 115KV CKT 1
FDNS	06ALL	4	20SP	ASGI_14_005	TO->FROM	INTREPDW_TP3115.00 - POTASH JUNCTION INTERCHANGE 115KV CKT 1	159	160	0.04974	96	LAGARTO 3115.00 - SAGE_BRUSH 3115.00 115KV CKT 1
FDNS	06ALL	4	25SP	ASGI_14_005	TO->FROM	INTREPDW_TP3115.00 - POTASH JUNCTION INTERCHANGE 115KV CKT 1	159	160	0.06783	96	OCHOA SUB - PNDEROSATP 3115.00 115KV CKT 1
FDNS	06ALL	4	20WP	ASGI_14_005	TO->FROM	INTREPDW_TP3115.00 - POTASH JUNCTION INTERCHANGE 115KV CKT 1	165	177	0.04718	95.8	SPP-SWPS-T85
FDNS	06ALL	4	25SP	ASGI_14_005	TO->FROM	INTREPDW_TP3115.00 - POTASH JUNCTION INTERCHANGE 115KV CKT 1	159	160	0.07042	95.8	GEN562495 1-G14_012_2 18.000
FDNS	06ALL	4	25SP	ASGI_14_005	TO->FROM	INTREPDW_TP3115.00 - POTASH JUNCTION INTERCHANGE 115KV CKT 1	159	160	0.06968	95.6686	ANDREWS 6230.00 (FROM BORDEN) 230/115/13.2KV TRANSFORMER CKT 2
FDNS	06ALL	4	25SP	ASGI_14_005	TO->FROM	INTREPDW_TP3115.00 - POTASH JUNCTION INTERCHANGE 115KV CKT 1	159	160	0.06968	95.64052	ANDREWS 6230.00 (FROM MIDLAND) 230/115/13.2KV TRANSFORMER CKT 1
FDNS	06ALL	4	20WP	ASGI_14_005	TO->FROM	INTREPDW_TP3115.00 - POTASH JUNCTION INTERCHANGE 115KV CKT 1	165	177	0.05532	95.2	National Enrichment Plant Tap - TARGA 311

SOLUTION	GROUP	SCENARIO	SEASON	SOURCE	DIRECTION	MONITORED ELEMENT	RATEA (MVA)	RATEB (MVA)	TC%LOADING TDF	(% MVA)	CONTINGENCY
FDNS	06ALL	4	15SP	ASGI_14_005	FROM->TO	PLANT X STATION (WH ALM20171) 230/115/13.2KV TRANSFORMER CKT 1	252	252	0.06005	104.6633	LAMB COUNTY INTERCHANGE - TOLK STATION WEST 230KV CKT 1
FDNS	06ALL	4	15SP	ASGI_14_005	FROM->TO	PLANT X STATION (WH ALM20171) 230/115/13.2KV TRANSFORMER CKT 1	252	252	0.06005	104.6607	LAMB COUNTY INTERCHANGE (WH ALM20172) 230/115/13.2KV TRANSFORMER CKT 1
FDNS	06ALL	4	15SP	ASGI_14_005	FROM->TO	PLANT X STATION (WH ALM20171) 230/115/13.2KV TRANSFORMER CKT 1	252	252	0.06005	104.6607	SPP-SWPS-K37
FDNS	06ALL	4	15SP	ASGI_14_005	FROM->TO	PLANT X STATION (WH ALM20171) 230/115/13.2KV TRANSFORMER CKT 1	252	252	0.09883	104.1177	NEWHART 230 - PLANT X STATION 230KV CKT 1
FDNS	06ALL	4	15SP	ASGI_14_005	FROM->TO	PLANT X STATION (WH ALM20171) 230/115/13.2KV TRANSFORMER CKT 1	252	252	0.08467	102.241	DEAF SMITH COUNTY INTERCHANGE - PLANT X STATION 230KV CKT 1
FDNS	06ALL	4	15SP	ASGI_14_005	FROM->TO	PLANT X STATION (WH ALM20171) 230/115/13.2KV TRANSFORMER CKT 1	252	252	0.06005	102.223	LAMB COUNTY INTERCHANGE - TOLK STATION WEST 230KV CKT 1
FDNS	06ALL	4	15SP	ASGI_14_005	FROM->TO	PLANT X STATION (WH ALM20171) 230/115/13.2KV TRANSFORMER CKT 1	252	252	0.06005	102.2204	LAMB COUNTY INTERCHANGE (WH ALM20172) 230/115/13.2KV TRANSFORMER CKT 1
FDNS	06ALL	4	15SP	ASGI_14_005	FROM->TO	PLANT X STATION (WH ALM20171) 230/115/13.2KV TRANSFORMER CKT 1	252	252	0.06005	102.2204	SPP-SWPS-K37
FDNS	06ALL	4	15SP	ASGI_14_005	FROM->TO	PLANT X STATION (WH ALM20171) 230/115/13.2KV TRANSFORMER CKT 1	252	252	0.08467	99.5	DEAF SMITH COUNTY INTERCHANGE - PLANT X STATION 230KV CKT 1
FDNS	06ALL	4	15SP	ASGI_14_005	FROM->TO	PLANT X STATION (WH ALM20171) 230/115/13.2KV TRANSFORMER CKT 1	252	252	0.05664	95.4	GEN525493 1-PLANT X GEN #3
FDNS	06ALL	0	15G	ASGI_14_008	FROM->TO	CLEARWATER - GILL ENERGY CENTER WEST 138KV CKT 1	143	143	0.03298	100.5453	DBL-THIS-WIC
FDNS	06ALL	0	15G	ASGI_14_008	TO->FROM	CLEARWATER - MILAN TAP 138KV CKT 1	110	110	0.03298	140.1877	DBL-THIS-WIC
FDNS	06ALL	0	20WP	ASGI_14_008	TO->FROM	CLEARWATER - MILAN TAP 138KV CKT 1	110	110	0.03278	108.6601	DBL-THIS-WIC
FDNS	06ALL	0	15WP	ASGI_14_008	TO->FROM	CLEARWATER - MILAN TAP 138KV CKT 1	110	110	0.03322	106.268	DBL-THIS-WIC
FDNS	06ALL	0	15SP	ASGI_14_008	TO->FROM	CLEARWATER - MILAN TAP 138KV CKT 1	110	110	0.03321	100.0707	DBL-THIS-WIC
FDNS	06ALL	0	15SP	ASGI_14_008	FROM->TO	CURRY COUNTY INTERCHANGE - DEAF SMITH REC-#20 115KV CKT 1	96	96	0.06477	123.5747	DEAF SMITH COUNTY INTERCHANGE - PLANT X STATION 230KV CKT 1
FDNS	06ALL	0	20SP	ASGI_14_008	FROM->TO	CURRY COUNTY INTERCHANGE - DEAF SMITH REC-#20 115KV CKT 1	96	96	0.04821	106.7874	DEAF SMITH COUNTY INTERCHANGE - PLANT X STATION 230KV CKT 1
FDNS	06ALL	0	15SP	ASGI_14_008	FROM->TO	CURRY COUNTY INTERCHANGE - DEAF SMITH REC-#20 115KV CKT 1	96	96	0.04822	105.8568	LAWTON EASTSIDE - OKLAUNION 345KV CKT 1
FDNS	06ALL	0	15SP	ASGI_14_008	FROM->TO	CURRY COUNTY INTERCHANGE - DEAF SMITH REC-#20 115KV CKT 1	96	96	0.04866	97.6	SPP-SWPS-01
FDNS	06ALL	0	15SP	ASGI_14_008	FROM->TO	CURRY COUNTY INTERCHANGE - DEAF SMITH REC-#20 115KV CKT 1	96	96	0.04822	97.3	SPSCONT-01
FDNS	06ALL	0	15SP	ASGI_14_008	FROM->TO	CURRY COUNTY INTERCHANGE - DEAF SMITH REC-#20 115KV CKT 1	96	96	0.04822	97.2	OKLAUNION - TUCO INTERCHANGE 345KV CKT 1
FDNS	06ALL	0	15SP	ASGI_14_008	FROM->TO	CURRY COUNTY INTERCHANGE - DEAF SMITH REC-#20 115KV CKT 1	96	96	0.04971	96.1	NEWHART 230 - PLANT X STATION 230KV CKT 1
FDNS	06ALL	0	25SP	ASGI_14_008	FROM->TO	CURRY COUNTY INTERCHANGE - DEAF SMITH REC-#20 115KV CKT 1	96	96	0.04863	95.6	DEAF SMITH COUNTY INTERCHANGE - PLANT X STATION 230KV CKT 1
FDNS	06ALL	0	15SP	ASGI_14_008	TO->FROM	DEAF SMITH COUNTY INTERCHANGE - PLANT X STATION 230KV CKT 1	319	351	0.18652	109.7585	LAWTON EASTSIDE - OKLAUNION 345KV CKT 1
FDNS	06ALL	0	15SP	ASGI_14_008	TO->FROM	DEAF SMITH COUNTY INTERCHANGE - PLANT X STATION 230KV CKT 1	319	351	0.20236	97.5	NEWHART 230 - PLANT X STATION 230KV CKT 1
FDNS	06ALL	0	15SP	ASGI_14_008	TO->FROM	DEAF SMITH COUNTY INTERCHANGE - PLANT X STATION 230KV CKT 1	319	351	0.18909	96.9	SPP-SWPS-01
FDNS	06ALL	0	15SP	ASGI_14_008	TO->FROM	DEAF SMITH COUNTY INTERCHANGE - PLANT X STATION 230KV CKT 1	319	351	0.18652	96.3	SPSCONT-01
FDNS	06ALL	0	15SP	ASGI_14_008	TO->FROM	DEAF SMITH COUNTY INTERCHANGE - PLANT X STATION 230KV CKT 1	319	351	0.18652	96.1	OKLAUNION - TUCO INTERCHANGE 345KV CKT 1
FDNS	06ALL	0	15SP	ASGI_14_008	FROM->TO	DEAF SMITH REC-#20 - PARMER COUNTY SUB 115KV CKT 1	96	96	0.06477	110.3575	DEAF SMITH COUNTY INTERCHANGE - PLANT X STATION 230KV CKT 1
FDNS	06ALL	0	15SP	ASGI_14_008	TO->FROM	DEAF SMITH REC-#24 - PARMER COUNTY SUB 115KV CKT 1	96	96	0.06477	102.2169	DEAF SMITH COUNTY INTERCHANGE - PLANT X STATION 230KV CKT 1
FDNS	06ALL	0	15G	ASGI_14_008	FROM->TO	ELK CITY 230KV (ELKCTY-6) 230/138/13.8KV TRANSFORMER CKT 1	287	316	0.11337	107.0627	LAWTON EASTSIDE - OKLAUNION 345KV CKT 1
FDNS	06ALL	0	15G	ASGI_14_008	FROM->TO	ELK CITY 230KV (ELKCTY-6) 230/138/13.8KV TRANSFORMER CKT 1	287	316	0.11337	105.2129	LAWTON EASTSIDE - OKLAUNION 345KV CKT 1
FDNS	06ALL	0	15SP	ASGI_14_008	FROM->TO	ELK CITY 230KV (ELKCTY-6) 230/138/13.8KV TRANSFORMER CKT 1	272	316	0.12147	100.158	LAWTON EASTSIDE - OKLAUNION 345KV CKT 1
FDNS	06ALL	0	15WP	ASGI_14_008	FROM->TO	ELK CITY 230KV (ELKCTY-6) 230/138/13.8KV TRANSFORMER CKT 1	287	316	0.12492	100.0101	LAWTON EASTSIDE - OKLAUNION 345KV CKT 1
FDNS	06ALL	0	15SP	ASGI_14_008	FROM->TO	ELK CITY 230KV (ELKCTY-6) 230/138/13.8KV TRANSFORMER CKT 1	272	316	0.12147	98.72061	LAWTON EASTSIDE - OKLAUNION 345KV CKT 1
FDNS	06ALL	0	15WP	ASGI_14_008	FROM->TO	ELK CITY 230KV (ELKCTY-6) 230/138/13.8KV TRANSFORMER CKT 1	287	316	0.12492	98.59541	LAWTON EASTSIDE - OKLAUNION 345KV CKT 1
FDNS	06ALL	0	15G	ASGI_14_008	FROM->TO	ELK CITY 230KV (ELKCTY-6) 230/138/13.8KV TRANSFORMER CKT 1	287	316	0.1002	98.1	DBL-G1114-WW
FDNS	06ALL	0	15G	ASGI_14_008	FROM->TO	ELK CITY 230KV (ELKCTY-6) 230/138/13.8KV TRANSFORMER CKT 1	287	316	0.11337	97.8	SPSCONT-01
FDNS	06ALL	0	15G	ASGI_14_008	FROM->TO	ELK CITY 230KV (ELKCTY-6) 230/138/13.8KV TRANSFORMER CKT 1	287	316	0.11511	97.7	SPP-SWPS-01
FDNS	06ALL	0	15G	ASGI_14_008	FROM->TO	ELK CITY 230KV (ELKCTY-6) 230/138/13.8KV TRANSFORMER CKT 1	287	316	0.1002	96.9	DBL-BVR-G111
FDNS	06ALL	0	15G	ASGI_14_008	FROM->TO	ELK CITY 230KV (ELKCTY-6) 230/138/13.8KV TRANSFORMER CKT 1	287	316	0.1002	96.8	DBL-G1114-WW
FDNS	06ALL	0	15G	ASGI_14_008	FROM->TO	ELK CITY 230KV (ELKCTY-6) 230/138/13.8KV TRANSFORMER CKT 1	287	316	0.11337	96.7	SPSCONT-01
FDNS	06ALL	0	15G	ASGI_14_008	FROM->TO	ELK CITY 230KV (ELKCTY-6) 230/138/13.8KV TRANSFORMER CKT 1	287	316	0.11511	96.6	SPP-SWPS-01
FDNS	06ALL	0	15G	ASGI_14_008	FROM->TO	ELK CITY 230KV (ELKCTY-6) 230/138/13.8KV TRANSFORMER CKT 1	287	316	0.11337	96.5	OKLAUNION - TUCO INTERCHANGE 345KV CKT 1
FDNS	06ALL	0	15G	ASGI_14_008	FROM->TO	ELK CITY 230KV (ELKCTY-6) 230/138/13.8KV TRANSFORMER CKT 1	287	316	0.1002	95.7	DBL-BVR-G111
FDNS	06ALL	0	15G	ASGI_14_008	FROM->TO	ELK CITY 230KV (ELKCTY-6) 230/138/13.8KV TRANSFORMER CKT 1	287	316	0.11337	95.3	OKLAUNION - TUCO INTERCHANGE 345KV CKT 1
FDNS	06ALL	0	15SP	ASGI_14_008	TO->FROM	FLATRDG3 - THISTLE4 138.00 138KV CKT 1	286	286	0.04784	98.2	DBL-THIS-WIC
FDNS	06ALL	0	15G	ASGI_14_008	TO->FROM	FPL SWITCH - WOODWARD 138KV CKT 1	133	153	0.04544	161.177	NORTHWEST - TATONGA7 345.00 345KV CKT 1
FDNS	06ALL	0	15G	ASGI_14_008	TO->FROM	FPL SWITCH - WOODWARD 138KV CKT 1	133	153	0.05348	159.4244	DBL-THIS-WWR
FDNS	06ALL	0	15G	ASGI_14_008	TO->FROM	FPL SWITCH - WOODWARD 138KV CKT 1	133	153	0.04544	157.7992	SPSCONT-05B
FDNS	06ALL	0	15G	ASGI_14_008	TO->FROM	FPL SWITCH - WOODWARD 138KV CKT 1	133	153	0.04544	157.271	SPSCONT-04
FDNS	06ALL	0	15G	ASGI_14_008	TO->FROM	FPL SWITCH - WOODWARD 138KV CKT 1	133	153	0.04291	154.1519	DBL-THIS-WIC
FDNS	06ALL	0	15G	ASGI_14_008	TO->FROM	FPL SWITCH - WOODWARD 138KV CKT 1	133	153	0.0469	152.6111	LAWTON EASTSIDE - OKLAUNION 345KV CKT 1
FDNSLock	06ALL	0	15G	ASGI_14_008	TO->FROM	FPL SWITCH - WOODWARD 138KV CKT 1	133	153	0.04544	147.3779	G11_051T 345.00 - TATONGA7 345.00 345KV CKT 1
FDNS	06ALL	0	15G	ASGI_14_008	TO->FROM	FPL SWITCH - WOODWARD 138KV CKT 1	133	153	0.04544	146.4061	G11_051T 345.00 - WOODWARD DISTRICT EHV 345KV CKT 1
FDNS	06ALL	0	15G	ASGI_14_008	TO->FROM	FPL SWITCH - WOODWARD 138KV CKT 1	133	153	0.03179	143.416	WOODWARD (WOODWRD2) 138/69/13.2KV TRANSFORMER CKT 1
FDNS	06ALL	0	15G	ASGI_14_008	TO->FROM	FPL SWITCH - WOODWARD 138KV CKT 1	133	153	0.04544	143.1258	SPSCONT-05AX
FDNS	06ALL	0	15G	ASGI_14_008	TO->FROM	FPL SWITCH - WOODWARD 138KV CKT 1	133	153	0.0417	142.5155	ELK CITY 230KV - SWEETWATER 230KV CKT 1
FDNS	06ALL	0	15G	ASGI_14_008	TO->FROM	FPL SWITCH - WOODWARD 138KV CKT 1	133	153	0.0417	142.4842	ELK CITY 230KV (ELKCTY-6) 230/138/13.8KV TRANSFORMER CKT 1
FDNS	06ALL	0	15G	ASGI_14_008	TO->FROM	FPL SWITCH - WOODWARD 138KV CKT 1	133	153	0.0469	141.4059	SPSCONT-01
FDNS	06ALL	0	15G	ASGI_14_008	TO->FROM	FPL SWITCH - WOODWARD 138KV CKT 1	133	153	0.04192	140.0428	SPP-SWPS-03
FDNS	06ALL	0	15G	ASGI_14_008	TO->FROM	FPL SWITCH - WOODWARD 138KV CKT 1	133	153	0.0469	139.1883	OKLAUNION - TUCO INTERCHANGE 345KV CKT 1
FDNS	06ALL	0	15G	ASGI_14_008	TO->FROM	FPL SWITCH - WOODWARD 138KV CKT 1	133	153	0.0417	138.8333	SPP-SWPS-02A
FDNS	06ALL	0	15G	ASGI_14_008	TO->FROM	FPL SWITCH - WOODWARD 138KV CKT 1	133	153	0.0417	138.6923	GRAPEVINE INTERCHANGE - STATELINE INTERCHANGE 230KV CKT 1
FDNS	06ALL	0	15G	ASGI_14_008	TO->FROM	FPL SWITCH - WOODWARD 138KV CKT 1	133	153	0.04631	138.6877	SPP-SWPS-01
FDNS	06ALL	0	15G	ASGI_14_008	TO->FROM	FPL SWITCH - WOODWARD 138KV CKT 1	133	153	0.0338	137.3732	IODINE - WOODWARD EHV 138KV CKT 1
FDNS	06ALL	0	15G	ASGI_14_008	TO->FROM	FPL SWITCH - WOODWARD 138KV CKT 1	133	153	0.0338	135.335	DEWEY - IODINE 138KV CKT 1
FDNS	06ALL	0	15G	ASGI_14_008	TO->FROM	FPL SWITCH - WOODWARD 138KV CKT 1	133	153	0.0417	133.3058	STATELINE INTERCHANGE - STLN-DEMARC6 230KV CKT 1
FDNS	06ALL	0	15G	ASGI_14_008	TO->FROM	FPL SWITCH - WOODWARD 138KV CKT 1	133	153	0.0417	133.0811	SPP-SWPS-02
FDNS	06ALL	0	15G	ASGI_14_008	TO->FROM	FPL SWITCH - WOODWARD 138KV CKT 1	133	153	0.0417	133.0154	STLN-DEMARC6 - SWEETWATER 230KV CKT 1
FDNS	06ALL	0	15G	ASGI_14_008	TO->FROM	FPL SWITCH - WOODWARD 138KV CKT 1	133	153	0.03438	130.54	GRAPEVINE INTERCHANGE - NICHOLS STATION 230KV CKT 1
FDNS	06ALL	0	15G	ASGI_14_008	TO->FROM	FPL SWITCH - WOODWARD 138KV CKT 1	133	153	0.03179	130.0405	WOODWARD - WOODWARD 69KV CKT 1

SOLUTION	GROUP	SCENARIO	SEASON	SOURCE	DIRECTION	MONITORED ELEMENT	RATEA (MVA)	RATEB (MVA)	TDF	TC%LOADING (% MVA)	CONTINGENCY
FDNS	06ALL	0	15G	ASGI_14_008	TO->FROM	FPL SWITCH - WOODWARD 138KV CKT 1	133	153	0.03455	126.126	THISTLE7 345.00 - WOODWARD DISTRICT EHV 345KV CKT 1
FDNS	06ALL	0	15G	ASGI_14_008	TO->FROM	FPL SWITCH - WOODWARD 138KV CKT 1	133	153	0.03455	126.126	THISTLE7 345.00 - WOODWARD DISTRICT EHV 345KV CKT 2
FDNS	06ALL	0	15G	ASGI_14_008	TO->FROM	FPL SWITCH - WOODWARD 138KV CKT 1	133	153	0.03409	124.5649	FINNEY SWITCHING STATION - HOLCOMB 345KV CKT 1
FDNS	06ALL	0	15G	ASGI_14_008	TO->FROM	FPL SWITCH - WOODWARD 138KV CKT 1	133	153	0.03164	124.1871	THISTLE7 345.00 - WICHITA 345KV CKT 1
FDNS	06ALL	0	15G	ASGI_14_008	TO->FROM	FPL SWITCH - WOODWARD 138KV CKT 1	133	153	0.03164	124.1871	THISTLE7 345.00 - WICHITA 345KV CKT 2
FDNS	06ALL	0	15G	ASGI_14_008	TO->FROM	FPL SWITCH - WOODWARD 138KV CKT 1	133	153	0.03409	123.3196	SPP-SWPS-05
FDNS	06ALL	0	15G	ASGI_14_008	TO->FROM	FPL SWITCH - WOODWARD 138KV CKT 1	133	153	0.03409	123.2614	FINNEY SWITCHING STATION - Hitchland Interchange 345KV CKT 1
FDNS	06ALL	0	15G	ASGI_14_008	TO->FROM	FPL SWITCH - WOODWARD 138KV CKT 1	133	153	0.0315	120.7972	ELLIS 4 138.00 - RED HILLS WIND 138KV CKT 1
FDNS	06ALL	0	15G	ASGI_14_008	TO->FROM	FPL SWITCH - WOODWARD 138KV CKT 1	133	153	0.0315	118.2357	ELLIS 4 138.00 - MOREWOOD SW 138KV CKT 1
FDNS	06ALL	0	15SP	ASGI_14_008	TO->FROM	FPL SWITCH - WOODWARD 138KV CKT 1	133	153	0.0567	111.3808	DBL-THIS-WWR
FDNSLock	06ALL	0	15G	ASGI_14_008	TO->FROM	FPL SWITCH - WOODWARD 138KV CKT 1	133	153	0.0315	105.8896	ELK CITY - RED HILLS WIND 138KV CKT 1
FDNS	06ALL	0	15SP	ASGI_14_008	TO->FROM	FPL SWITCH - WOODWARD 138KV CKT 1	133	153	0.04837	105.3952	NORTHWEST - TATONGA7 345.00 345KV CKT 1
FDNS	06ALL	0	15SP	ASGI_14_008	TO->FROM	FPL SWITCH - WOODWARD 138KV CKT 1	133	153	0.04987	104.8311	LAWTON EASTSIDE - OKLAUNION 345KV CKT 1
FDNS	06ALL	0	15SP	ASGI_14_008	TO->FROM	FPL SWITCH - WOODWARD 138KV CKT 1	133	153	0.04837	102.6277	SPSCONT-05B
FDNS	06ALL	0	15SP	ASGI_14_008	TO->FROM	FPL SWITCH - WOODWARD 138KV CKT 1	133	153	0.04837	101.4863	SPSCONT-04
FDNS	06ALL	0	15SP	ASGI_14_008	TO->FROM	FPL SWITCH - WOODWARD 138KV CKT 1	133	153	0.04583	100.8287	DBL-THIS-WIC
FDNS	06ALL	0	15SP	ASGI_14_008	TO->FROM	FPL SWITCH - WOODWARD 138KV CKT 1	133	153	0.03508	97.7	WOODWARD (WOODWRD2) 138/69/13.2KV TRANSFORMER CKT 1
FDNS	06ALL	0	20WP	ASGI_14_008	TO->FROM	FPL SWITCH - WOODWARD 138KV CKT 1	171	185	0.05102	96.8	NORTHWEST - TATONGA7 345.00 345KV CKT 1
FDNS	06ALL	0	20WP	ASGI_14_008	TO->FROM	FPL SWITCH - WOODWARD 138KV CKT 1	171	185	0.06046	96	DBL-THIS-WWR
FDNS	06ALL	0	15G	ASGI_14_008	TO->FROM	GRAPEVINE INTERCHANGE - NICHOLS STATION 230KV CKT 1	319	351	0.10184	104.4035	LAWTON EASTSIDE - OKLAUNION 345KV CKT 1
FDNS	06ALL	0	20WP	ASGI_14_008	TO->FROM	GRAPEVINE INTERCHANGE - NICHOLS STATION 230KV CKT 1	329	361	0.12901	102.8268	LAWTON EASTSIDE - OKLAUNION 345KV CKT 1
FDNS	06ALL	0	15SP	ASGI_14_008	TO->FROM	GRAPEVINE INTERCHANGE - NICHOLS STATION 230KV CKT 1	319	351	0.1034	99.65252	LAWTON EASTSIDE - OKLAUNION 345KV CKT 1
FDNS	06ALL	0	15G	ASGI_14_008	FROM->TO	GRAPEVINE INTERCHANGE - STATELINE INTERCHANGE 230KV CKT 1	319	351	0.11337	96.46441	LAWTON EASTSIDE - OKLAUNION 345KV CKT 1
FDNS	06ALL	0	15G	ASGI_14_008	FROM->TO	HARPER - MILAN TAP 138KV CKT 1	138	143	0.03298	116.5991	DBL-THIS-WIC
FDNS	06ALL	0	15SP	ASGI_14_008	FROM->TO	HARPER - MILAN TAP 138KV CKT 1	127	136	0.03321	104.5127	DBL-THIS-WIC
FDNS	06ALL	0	15WP	ASGI_14_008	FROM->TO	HARPER - MILAN TAP 138KV CKT 1	143	143	0.03322	102.8215	DBL-THIS-WIC
FDNS	06ALL	0	25SP	ASGI_14_008	TO->FROM	IMC_#1_TP 3115.00 - INTREPDW_TP3115.00 115KV CKT 1	159	160	0.03795	137.5067	KIOWA 7345.00 - RDRUNNER 7345.00 345KV CKT 1
FDNS	06ALL	0	25SP	ASGI_14_008	TO->FROM	IMC_#1_TP 3115.00 - INTREPDW_TP3115.00 115KV CKT 1	159	160	0.03795	137.463	RDRUNNER 7345.00 (UPDATE LATER) 345/115/13.2KV TRANSFORMER CKT 1
FDNS	06ALL	0	20SP	ASGI_14_008	TO->FROM	IMC_#1_TP 3115.00 - INTREPDW_TP3115.00 115KV CKT 1	159	160	0.03795	118.175	KIOWA 7345.00 - RDRUNNER 7345.00 345KV CKT 1
FDNS	06ALL	0	20SP	ASGI_14_008	TO->FROM	IMC_#1_TP 3115.00 - INTREPDW_TP3115.00 115KV CKT 1	159	160	0.03795	118.1436	RDRUNNER 7345.00 (UPDATE LATER) 345/115/13.2KV TRANSFORMER CKT 1
FDNS	06ALL	0	20WP	ASGI_14_008	TO->FROM	IMC_#1_TP 3115.00 - INTREPDW_TP3115.00 115KV CKT 1	159	160	0.03786	117.1897	RDRUNNER 7345.00 (UPDATE LATER) 345/115/13.2KV TRANSFORMER CKT 1
FDNS	06ALL	0	20WP	ASGI_14_008	TO->FROM	IMC_#1_TP 3115.00 - INTREPDW_TP3115.00 115KV CKT 1	159	160	0.03786	117.1849	KIOWA 7345.00 - RDRUNNER 7345.00 345KV CKT 1
FDNS	06ALL	0	25SP	ASGI_14_008	TO->FROM	IMC_#1_TP 3115.00 - INTREPDW_TP3115.00 115KV CKT 1	159	160	0.03514	101.4797	ANDREWS 3115.00 - National Enrichment Plant Sub 115KV CKT 1
FDNS	06ALL	0	25SP	ASGI_14_008	TO->FROM	IMC_#1_TP 3115.00 - INTREPDW_TP3115.00 115KV CKT 1	159	160	0.03514	101.4776	ANDREWS 6230.00 - G14_012T 230.00 230KV CKT 1
FDNS	06ALL	0	25SP	ASGI_14_008	TO->FROM	IMC_#1_TP 3115.00 - INTREPDW_TP3115.00 115KV CKT 1	159	160	0.03514	101.4744	ANDRWSXFMR12
FDNS	06ALL	0	25SP	ASGI_14_008	FROM->TO	IMC_#1_TP 3115.00 - LIVSTNRIDGE3115.00 115KV CKT 1	159	160	0.03795	127.4052	KIOWA 7345.00 - RDRUNNER 7345.00 345KV CKT 1
FDNS	06ALL	0	25SP	ASGI_14_008	FROM->TO	IMC_#1_TP 3115.00 - LIVSTNRIDGE3115.00 115KV CKT 1	159	160	0.03795	127.3507	RDRUNNER 7345.00 (UPDATE LATER) 345/115/13.2KV TRANSFORMER CKT 1
FDNS	06ALL	0	20SP	ASGI_14_008	FROM->TO	IMC_#1_TP 3115.00 - LIVSTNRIDGE3115.00 115KV CKT 1	159	160	0.03795	108.3105	KIOWA 7345.00 - RDRUNNER 7345.00 345KV CKT 1
FDNS	06ALL	0	20SP	ASGI_14_008	FROM->TO	IMC_#1_TP 3115.00 - LIVSTNRIDGE3115.00 115KV CKT 1	159	160	0.03795	108.257	RDRUNNER 7345.00 (UPDATE LATER) 345/115/13.2KV TRANSFORMER CKT 1
FDNS	06ALL	0	20WP	ASGI_14_008	FROM->TO	IMC_#1_TP 3115.00 - LIVSTNRIDGE3115.00 115KV CKT 1	165	177	0.03786	96.7	KIOWA 7345.00 - RDRUNNER 7345.00 345KV CKT 1
FDNS	06ALL	0	20WP	ASGI_14_008	FROM->TO	IMC_#1_TP 3115.00 - LIVSTNRIDGE3115.00 115KV CKT 1	165	177	0.03786	96.7	RDRUNNER 7345.00 (UPDATE LATER) 345/115/13.2KV TRANSFORMER CKT 1
FDNS	06ALL	0	25SP	ASGI_14_008	TO->FROM	INTREPDW_TP3115.00 - POTASH JUNCTION INTERCHANGE 115KV CKT 1	159	160	0.03795	150.2529	KIOWA 7345.00 - RDRUNNER 7345.00 345KV CKT 1
FDNS	06ALL	0	25SP	ASGI_14_008	TO->FROM	INTREPDW_TP3115.00 - POTASH JUNCTION INTERCHANGE 115KV CKT 1	159	160	0.03795	150.1859	RDRUNNER 7345.00 (UPDATE LATER) 345/115/13.2KV TRANSFORMER CKT 1
FDNS	06ALL	0	20SP	ASGI_14_008	TO->FROM	INTREPDW_TP3115.00 - POTASH JUNCTION INTERCHANGE 115KV CKT 1	159	160	0.03795	132.7106	KIOWA 7345.00 - RDRUNNER 7345.00 345KV CKT 1
FDNS	06ALL	0	20SP	ASGI_14_008	TO->FROM	INTREPDW_TP3115.00 - POTASH JUNCTION INTERCHANGE 115KV CKT 1	159	160	0.03795	132.6622	RDRUNNER 7345.00 (UPDATE LATER) 345/115/13.2KV TRANSFORMER CKT 1
FDNS	06ALL	0	20WP	ASGI_14_008	TO->FROM	INTREPDW_TP3115.00 - POTASH JUNCTION INTERCHANGE 115KV CKT 1	165	177	0.03786	117.7885	KIOWA 7345.00 - RDRUNNER 7345.00 345KV CKT 1
FDNS	06ALL	0	20WP	ASGI_14_008	TO->FROM	INTREPDW_TP3115.00 - POTASH JUNCTION INTERCHANGE 115KV CKT 1	165	177	0.03786	117.7772	RDRUNNER 7345.00 (UPDATE LATER) 345/115/13.2KV TRANSFORMER CKT 1
FDNS	06ALL	0	25SP	ASGI_14_008	TO->FROM	INTREPDW_TP3115.00 - POTASH JUNCTION INTERCHANGE 115KV CKT 1	159	160	0.03514	114.431	ANDREWS 3115.00 - National Enrichment Plant Sub 115KV CKT 1
FDNS	06ALL	0	25SP	ASGI_14_008	TO->FROM	INTREPDW_TP3115.00 - POTASH JUNCTION INTERCHANGE 115KV CKT 1	159	160	0.03514	114.4277	ANDREWS 6230.00 - G14_012T 230.00 230KV CKT 1
FDNS	06ALL	0	25SP	ASGI_14_008	TO->FROM	INTREPDW_TP3115.00 - POTASH JUNCTION INTERCHANGE 115KV CKT 1	159	160	0.03514	114.4252	ANDRWSXFMR12
FDNS	06ALL	0	25SP	ASGI_14_008	TO->FROM	INTREPDW_TP3115.00 - POTASH JUNCTION INTERCHANGE 115KV CKT 1	159	160	0.03587	102.5201	BYRD SUB - MONUMENT TAP 115KV CKT 1
FDNS	06ALL	0	25SP	ASGI_14_008	TO->FROM	INTREPDW_TP3115.00 - POTASH JUNCTION INTERCHANGE 115KV CKT 1	159	160	0.03587	102.515	CUNNINGHAM STATION - MONUMENT TAP 115KV CKT 1
FDNS	06ALL	0	25SP	ASGI_14_008	TO->FROM	INTREPDW_TP3115.00 - POTASH JUNCTION INTERCHANGE 115KV CKT 1	159	160	0.0395	101.6784	CHINA_DRAW 3115.00 - WOOD_DRAW 3115.00 115KV CKT 1
FDNS	06ALL	0	25SP	ASGI_14_008	TO->FROM	INTREPDW_TP3115.00 - POTASH JUNCTION INTERCHANGE 115KV CKT 1	159	160	0.03587	101.4307	COOPER RANCH SUB - OIL_CENTER 3115.00 115KV CKT 1
FDNS	06ALL	0	25SP	ASGI_14_008	TO->FROM	INTREPDW_TP3115.00 - POTASH JUNCTION INTERCHANGE 115KV CKT 1	159	160	0.03655	101.318	CHINA_DRAW 7345.00 (UPDATE LATER) 345/115/13.2KV TRANSFORMER CKT 1
FDNS	06ALL	0	25SP	ASGI_14_008	TO->FROM	INTREPDW_TP3115.00 - POTASH JUNCTION INTERCHANGE 115KV CKT 1	159	160	0.03655	101.3055	CHINA_DRAW 7345.00 - NLOV_PLT 7345.00 345KV CKT 1
FDNS	06ALL	0	25SP	ASGI_14_008	TO->FROM	INTREPDW_TP3115.00 - POTASH JUNCTION INTERCHANGE 115KV CKT 1	159	160	0.03587	101.2952	LEA ROAD SUB - OIL_CENTER 3115.00 115KV CKT 1
FDNS	06ALL	0	25SP	ASGI_14_008	TO->FROM	INTREPDW_TP3115.00 - POTASH JUNCTION INTERCHANGE 115KV CKT 1	159	160	0.03587	100.6473	BYRD SUB - COOPER RANCH SUB 115KV CKT 1
FDNS	06ALL	0	20SP	ASGI_14_008	TO->FROM	INTREPDW_TP3115.00 - POTASH JUNCTION INTERCHANGE 115KV CKT 1	159	160	0.03513	99.9	ANDREWS 3115.00 - National Enrichment Plant Sub 115KV CKT 1
FDNS	06ALL	0	20SP	ASGI_14_008	TO->FROM	INTREPDW_TP3115.00 - POTASH JUNCTION INTERCHANGE 115KV CKT 1	159	160	0.03513	99.9	ANDREWS 6230.00 - G14_012T 230.00 230KV CKT 1
FDNS	06ALL	0	20SP	ASGI_14_008	TO->FROM	INTREPDW_TP3115.00 - POTASH JUNCTION INTERCHANGE 115KV CKT 1	159	160	0.03513	99.9	ANDRWSXFMR12
FDNS	06ALL	0	20SP	ASGI_14_008	TO->FROM	INTREPDW_TP3115.00 - POTASH JUNCTION INTERCHANGE 115KV CKT 1	159	160	0.03513	99.9	G14_012T 230.00 - HOBBS INTERCHANGE 230KV CKT 1
FDNS	06ALL	0	25SP	ASGI_14_008	TO->FROM	INTREPDW_TP3115.00 - POTASH JUNCTION INTERCHANGE 115KV CKT 1	159	160	0.03587	99.4	LEA ROAD SUB - WARD SUB 115KV CKT 1
FDNS	06ALL	0	25SP	ASGI_14_008	TO->FROM	INTREPDW_TP3115.00 - POTASH JUNCTION INTERCHANGE 115KV CKT 1	159	160	0.03587	99.1	WARD SUB - WHITTEN SUB 115KV CKT 1
FDNS	06ALL	0	25SP	ASGI_14_008	TO->FROM	INTREPDW_TP3115.00 - POTASH JUNCTION INTERCHANGE 115KV CKT 1	159	160	0.03587	99	SPP-SWPS-T39
FDNS	06ALL	0	25SP	ASGI_14_008	TO->FROM	INTREPDW_TP3115.00 - POTASH JUNCTION INTERCHANGE 115KV CKT 1	159	160	0.03613	97.8	PNDEROSATP 3115.00 - WHITTEN SUB 115KV CKT 1
FDNS	06ALL	0	25SP	ASGI_14_008	TO->FROM	INTREPDW_TP3115.00 - POTASH JUNCTION INTERCHANGE 115KV CKT 1	159	160	0.03613	96	OCHOA SUB - PNDEROSATP 3115.00 115KV CKT 1
FDNS	06ALL	0	25SP	ASGI_14_008	TO->FROM	INTREPDW_TP3115.00 - POTASH JUNCTION INTERCHANGE 115KV CKT 1	159	160	0.0379	95.8	GEN562495 1-G14_012_2 18.000
FDNS	06ALL	0	25SP	ASGI_14_008	TO->FROM	INTREPDW_TP3115.00 - POTASH JUNCTION INTERCHANGE 115KV CKT 1	159	160	0.03749	95.63696	ANDREWS 6230.00 (FROM BORDEN) 230/115/13.2KV TRANSFORMER CKT 2
FDNS	06ALL	0	25SP	ASGI_14_008	TO->FROM	INTREPDW_TP3115.00 - POTASH JUNCTION INTERCHANGE 115KV CKT 1	159	160	0.03749	95.60888	ANDREWS 6230.00 (FROM MIDLAND) 230/115/13.2KV TRANSFORMER CKT 1
FDNS	06ALL	0	15WP	ASGI_14_008	TO->FROM	PLANT X STATION - TOLK STATION EAST 230KV CKT 2	557	557	0.30465	99.8	PLANT X STATION - TOLK STATION WEST 230KV CKT 1
FDNS	06ALL	0	20SP	ASGI_14_008	TO->FROM	PLANT X STATION - TOLK STATION EAST 230KV CKT 2	478	502	0.22021	96.1	PLANT X STATION - TOLK STATION WEST 230KV CKT 1

SOLUTION	GROUP	SCENARIO	SEASON	SOURCE	DIRECTION	MONITORED ELEMENT	RATEA (MVA)	RATEB (MVA)	TDF	TC%LOADING (% MVA)	CONTINGENCY
FDNS	06ALL	0	20SP	ASGI_14_008	TO->FROM	PLANT X STATION - TOLK STATION WEST 230KV CKT 1	478	502	0.22233	96.8	PLANT X STATION - TOLK STATION EAST 230KV CKT 2
FDNS	06ALL	0	15SP	ASGI_14_008	FROM->TO	PLANT X STATION (WH ALM20171) 230/115/13.2KV TRANSFORMER CKT 1	252	252	0.10082	106.868	NEWHART 230 - PLANT X STATION 230KV CKT 1
FDNS	06ALL	0	15SP	ASGI_14_008	FROM->TO	PLANT X STATION (WH ALM20171) 230/115/13.2KV TRANSFORMER CKT 1	252	252	0.06294	104.7391	SPP-SWPS-K37
FDNS	06ALL	0	15SP	ASGI_14_008	FROM->TO	PLANT X STATION (WH ALM20171) 230/115/13.2KV TRANSFORMER CKT 1	252	252	0.06294	104.739	LAMB COUNTY INTERCHANGE (WH ALM20172) 230/115/13.2KV TRANSFORMER CKT 1
FDNS	06ALL	0	15SP	ASGI_14_008	FROM->TO	PLANT X STATION (WH ALM20171) 230/115/13.2KV TRANSFORMER CKT 1	252	252	0.06294	104.7164	LAMB COUNTY INTERCHANGE - TOLK STATION WEST 230KV CKT 1
FDNS	06ALL	0	15SP	ASGI_14_008	FROM->TO	PLANT X STATION (WH ALM20171) 230/115/13.2KV TRANSFORMER CKT 1	252	252	0.10082	104.1846	NEWHART 230 - PLANT X STATION 230KV CKT 1
FDNS	06ALL	0	15SP	ASGI_14_008	FROM->TO	PLANT X STATION (WH ALM20171) 230/115/13.2KV TRANSFORMER CKT 1	252	252	0.08662	102.4562	DEAF SMITH COUNTY INTERCHANGE - PLANT X STATION 230KV CKT 1
FDNS	06ALL	0	15SP	ASGI_14_008	FROM->TO	PLANT X STATION (WH ALM20171) 230/115/13.2KV TRANSFORMER CKT 1	252	252	0.06294	102.3057	SPP-SWPS-K37
FDNS	06ALL	0	15SP	ASGI_14_008	FROM->TO	PLANT X STATION (WH ALM20171) 230/115/13.2KV TRANSFORMER CKT 1	252	252	0.06294	102.3056	LAMB COUNTY INTERCHANGE (WH ALM20172) 230/115/13.2KV TRANSFORMER CKT 1
FDNS	06ALL	0	15SP	ASGI_14_008	FROM->TO	PLANT X STATION (WH ALM20171) 230/115/13.2KV TRANSFORMER CKT 1	252	252	0.06294	102.2824	LAMB COUNTY INTERCHANGE - TOLK STATION WEST 230KV CKT 1
FDNS	06ALL	0	15SP	ASGI_14_008	FROM->TO	PLANT X STATION (WH ALM20171) 230/115/13.2KV TRANSFORMER CKT 1	252	252	0.08662	99.7	DEAF SMITH COUNTY INTERCHANGE - PLANT X STATION 230KV CKT 1
FDNS	06ALL	0	15SP	ASGI_14_008	FROM->TO	PLANT X STATION (WH ALM20171) 230/115/13.2KV TRANSFORMER CKT 1	252	252	0.05825	95.5	GEN525493 1-PLANT X GEN #3
FDNS	06ALL	0	20WP	ASGI_14_008	FROM->TO	TUCO INTERCHANGE (GE M1022338) 345/230/13.2KV TRANSFORMER CKT 1	560	560	0.13154	106.7638	TUCO INTERCHANGE (SIEM 8743066) 345/230/13.2KV TRANSFORMER CKT 2
FDNS	06ALL	0	20WP	ASGI_14_008	FROM->TO	TUCO INTERCHANGE (GE M1022338) 345/230/13.2KV TRANSFORMER CKT 1	560	560	0.13154	104.8093	TUCO INTERCHANGE (SIEM 8743066) 345/230/13.2KV TRANSFORMER CKT 2
FDNS	06ALL	2	15G	ASGI_14_008	FROM->TO	CLEARWATER - GILL ENERGY CENTER WEST 138KV CKT 1	143	143	0.03287	100.3876	DBL-THIS-WIC
FDNS	06ALL	2	15G	ASGI_14_008	TO->FROM	CLEARWATER - MILAN TAP 138KV CKT 1	110	110	0.03287	139.9774	DBL-THIS-WIC
FDNS	06ALL	2	20WP	ASGI_14_008	TO->FROM	CLEARWATER - MILAN TAP 138KV CKT 1	110	110	0.03275	108.5614	DBL-THIS-WIC
FDNS	06ALL	2	15WP	ASGI_14_008	TO->FROM	CLEARWATER - MILAN TAP 138KV CKT 1	110	110	0.03311	106.1489	DBL-THIS-WIC
FDNS	06ALL	2	15SP	ASGI_14_008	TO->FROM	CLEARWATER - MILAN TAP 138KV CKT 1	110	110	0.0331	100	DBL-THIS-WIC
FDNS	06ALL	2	15SP	ASGI_14_008	FROM->TO	CURRY COUNTY INTERCHANGE - DEAF SMITH REC-#20 115KV CKT 1	96	96	0.0644	123.1635	DEAF SMITH COUNTY INTERCHANGE - PLANT X STATION 230KV CKT 1
FDNS	06ALL	2	20SP	ASGI_14_008	FROM->TO	CURRY COUNTY INTERCHANGE - DEAF SMITH REC-#20 115KV CKT 1	96	96	0.04818	106.7095	DEAF SMITH COUNTY INTERCHANGE - PLANT X STATION 230KV CKT 1
FDNS	06ALL	2	15SP	ASGI_14_008	FROM->TO	CURRY COUNTY INTERCHANGE - DEAF SMITH REC-#20 115KV CKT 1	96	96	0.04816	105.7855	LAWTON EASTSIDE - OKLAUNION 345KV CKT 1
FDNS	06ALL	2	15SP	ASGI_14_008	FROM->TO	CURRY COUNTY INTERCHANGE - DEAF SMITH REC-#20 115KV CKT 1	96	96	0.04837	97.4	SPP-SWPS-01
FDNS	06ALL	2	15SP	ASGI_14_008	FROM->TO	CURRY COUNTY INTERCHANGE - DEAF SMITH REC-#20 115KV CKT 1	96	96	0.04816	97.2	SPSCONT-01
FDNS	06ALL	2	15SP	ASGI_14_008	FROM->TO	CURRY COUNTY INTERCHANGE - DEAF SMITH REC-#20 115KV CKT 1	96	96	0.04816	97.1	OKLAUNION - TUCO INTERCHANGE 345KV CKT 1
FDNS	06ALL	2	15SP	ASGI_14_008	FROM->TO	CURRY COUNTY INTERCHANGE - DEAF SMITH REC-#20 115KV CKT 1	96	96	0.04956	95.9	NEWHART 230 - PLANT X STATION 230KV CKT 1
FDNS	06ALL	2	25SP	ASGI_14_008	FROM->TO	CURRY COUNTY INTERCHANGE - DEAF SMITH REC-#20 115KV CKT 1	96	96	0.0486	95.5	DEAF SMITH COUNTY INTERCHANGE - PLANT X STATION 230KV CKT 1
FDNS	06ALL	2	15SP	ASGI_14_008	TO->FROM	DEAF SMITH COUNTY INTERCHANGE - PLANT X STATION 230KV CKT 1	319	351	0.18605	109.6348	LAWTON EASTSIDE - OKLAUNION 345KV CKT 1
FDNS	06ALL	2	15SP	ASGI_14_008	TO->FROM	DEAF SMITH COUNTY INTERCHANGE - PLANT X STATION 230KV CKT 1	319	351	0.20132	97.1	NEWHART 230 - PLANT X STATION 230KV CKT 1
FDNS	06ALL	2	15SP	ASGI_14_008	TO->FROM	DEAF SMITH COUNTY INTERCHANGE - PLANT X STATION 230KV CKT 1	319	351	0.18719	96.4	SPP-SWPS-01
FDNS	06ALL	2	15SP	ASGI_14_008	TO->FROM	DEAF SMITH COUNTY INTERCHANGE - PLANT X STATION 230KV CKT 1	319	351	0.18605	96.1	SPSCONT-01
FDNS	06ALL	2	15SP	ASGI_14_008	TO->FROM	DEAF SMITH COUNTY INTERCHANGE - PLANT X STATION 230KV CKT 1	319	351	0.18605	96	OKLAUNION - TUCO INTERCHANGE 345KV CKT 1
FDNS	06ALL	2	15SP	ASGI_14_008	FROM->TO	DEAF SMITH REC-#20 - PARMER COUNTY SUB 115KV CKT 1	96	96	0.0644	109.9541	DEAF SMITH COUNTY INTERCHANGE - PLANT X STATION 230KV CKT 1
FDNS	06ALL	2	15SP	ASGI_14_008	TO->FROM	DEAF SMITH REC-#24 - PARMER COUNTY SUB 115KV CKT 1	96	96	0.0644	101.8097	DEAF SMITH COUNTY INTERCHANGE - PLANT X STATION 230KV CKT 1
FDNS	06ALL	2	15G	ASGI_14_008	FROM->TO	ELK CITY 230KV (ELKCTY-6) 230/138/13.8KV TRANSFORMER CKT 1	287	316	0.11276	106.8055	LAWTON EASTSIDE - OKLAUNION 345KV CKT 1
FDNS	06ALL	2	15G	ASGI_14_008	FROM->TO	ELK CITY 230KV (ELKCTY-6) 230/138/13.8KV TRANSFORMER CKT 1	287	316	0.11276	104.9756	LAWTON EASTSIDE - OKLAUNION 345KV CKT 1
FDNS	06ALL	2	15SP	ASGI_14_008	FROM->TO	ELK CITY 230KV (ELKCTY-6) 230/138/13.8KV TRANSFORMER CKT 1	272	316	0.12082	100.0284	LAWTON EASTSIDE - OKLAUNION 345KV CKT 1
FDNS	06ALL	2	15WP	ASGI_14_008	FROM->TO	ELK CITY 230KV (ELKCTY-6) 230/138/13.8KV TRANSFORMER CKT 1	287	316	0.12426	99.83074	LAWTON EASTSIDE - OKLAUNION 345KV CKT 1
FDNS	06ALL	2	15SP	ASGI_14_008	FROM->TO	ELK CITY 230KV (ELKCTY-6) 230/138/13.8KV TRANSFORMER CKT 1	272	316	0.12082	98.59394	LAWTON EASTSIDE - OKLAUNION 345KV CKT 1
FDNS	06ALL	2	15WP	ASGI_14_008	FROM->TO	ELK CITY 230KV (ELKCTY-6) 230/138/13.8KV TRANSFORMER CKT 1	287	316	0.12426	98.42802	LAWTON EASTSIDE - OKLAUNION 345KV CKT 1
FDNS	06ALL	2	15G	ASGI_14_008	FROM->TO	ELK CITY 230KV (ELKCTY-6) 230/138/13.8KV TRANSFORMER CKT 1	287	316	0.11276	97.6	SPSCONT-01
FDNS	06ALL	2	15G	ASGI_14_008	FROM->TO	ELK CITY 230KV (ELKCTY-6) 230/138/13.8KV TRANSFORMER CKT 1	287	316	0.09784	96.8	DBL-G1114-WW
FDNS	06ALL	2	15G	ASGI_14_008	FROM->TO	ELK CITY 230KV (ELKCTY-6) 230/138/13.8KV TRANSFORMER CKT 1	287	316	0.11337	96.7	SPP-SWPS-01
FDNS	06ALL	2	15G	ASGI_14_008	FROM->TO	ELK CITY 230KV (ELKCTY-6) 230/138/13.8KV TRANSFORMER CKT 1	287	316	0.11276	96.5	SPSCONT-01
FDNS	06ALL	2	15G	ASGI_14_008	FROM->TO	ELK CITY 230KV (ELKCTY-6) 230/138/13.8KV TRANSFORMER CKT 1	287	316	0.11276	96.2	OKLAUNION - TUCO INTERCHANGE 345KV CKT 1
FDNS	06ALL	2	15G	ASGI_14_008	FROM->TO	ELK CITY 230KV (ELKCTY-6) 230/138/13.8KV TRANSFORMER CKT 1	287	316	0.11337	95.7	SPP-SWPS-01
FDNS	06ALL	2	15G	ASGI_14_008	FROM->TO	ELK CITY 230KV (ELKCTY-6) 230/138/13.8KV TRANSFORMER CKT 1	287	316	0.09784	95.6	DBL-G1114-WW
FDNS	06ALL	2	15G	ASGI_14_008	FROM->TO	ELK CITY 230KV (ELKCTY-6) 230/138/13.8KV TRANSFORMER CKT 1	287	316	0.09784	95.5	DBL-BVR-G111
FDNS	06ALL	2	15G	ASGI_14_008	FROM->TO	ELK CITY 230KV (ELKCTY-6) 230/138/13.8KV TRANSFORMER CKT 1	287	316	0.11276	95.1	OKLAUNION - TUCO INTERCHANGE 345KV CKT 1
FDNS	06ALL	2	15SP	ASGI_14_008	TO->FROM	FLATRDRG3 - THISTLE4 138.00 138KV CKT 1	286	286	0.04775	98.1	DBL-THIS-WIC
FDNS	06ALL	2	15G	ASGI_14_008	TO->FROM	FPL SWITCH - WOODWARD 138KV CKT 1	133	153	0.04542	161.0764	NORTHWEST - TATONGA7 345.00 345KV CKT 1
FDNS	06ALL	2	15G	ASGI_14_008	TO->FROM	FPL SWITCH - WOODWARD 138KV CKT 1	133	153	0.05354	159.4718	DBL-THIS-WWR
FDNS	06ALL	2	15G	ASGI_14_008	TO->FROM	FPL SWITCH - WOODWARD 138KV CKT 1	133	153	0.04542	157.784	SPSCONT-05B
FDNS	06ALL	2	15G	ASGI_14_008	TO->FROM	FPL SWITCH - WOODWARD 138KV CKT 1	133	153	0.04542	157.1004	SPSCONT-04
FDNS	06ALL	2	15G	ASGI_14_008	TO->FROM	FPL SWITCH - WOODWARD 138KV CKT 1	133	153	0.04291	154.0923	DBL-THIS-WIC
FDNS	06ALL	2	15G	ASGI_14_008	TO->FROM	FPL SWITCH - WOODWARD 138KV CKT 1	133	153	0.0471	152.7189	LAWTON EASTSIDE - OKLAUNION 345KV CKT 1
FDNS	06ALL	2	15G	ASGI_14_008	TO->FROM	FPL SWITCH - WOODWARD 138KV CKT 1	133	153	0.04542	147.5378	G11_051T 345.00 - TATONGA7 345.00 345KV CKT 1
FDNS	06ALL	2	15G	ASGI_14_008	TO->FROM	FPL SWITCH - WOODWARD 138KV CKT 1	133	153	0.04542	146.3224	G11_051T 345.00 - WOODWARD DISTRICT EHV 345KV CKT 1
FDNS	06ALL	2	15G	ASGI_14_008	TO->FROM	FPL SWITCH - WOODWARD 138KV CKT 1	133	153	0.03184	143.4813	WOODWARD (WOODWRD2) 138/69/13.2KV TRANSFORMER CKT 1
FDNS	06ALL	2	15G	ASGI_14_008	TO->FROM	FPL SWITCH - WOODWARD 138KV CKT 1	133	153	0.04542	143.1119	SPSCONT-05AX
FDNS	06ALL	2	15G	ASGI_14_008	TO->FROM	FPL SWITCH - WOODWARD 138KV CKT 1	133	153	0.04147	142.197	ELK CITY 230KV - SWEETWATER 230KV CKT 1
FDNS	06ALL	2	15G	ASGI_14_008	TO->FROM	FPL SWITCH - WOODWARD 138KV CKT 1	133	153	0.04147	142.1652	ELK CITY 230KV (ELKCTY-6) 230/138/13.8KV TRANSFORMER CKT 1
FDNS	06ALL	2	15G	ASGI_14_008	TO->FROM	FPL SWITCH - WOODWARD 138KV CKT 1	133	153	0.0471	141.5791	SPSCONT-01
FDNS	06ALL	2	15G	ASGI_14_008	TO->FROM	FPL SWITCH - WOODWARD 138KV CKT 1	133	153	0.04169	139.7583	SPP-SWPS-03
FDNS	06ALL	2	15G	ASGI_14_008	TO->FROM	FPL SWITCH - WOODWARD 138KV CKT 1	133	153	0.0471	139.3711	OKLAUNION - TUCO INTERCHANGE 345KV CKT 1
FDNS	06ALL	2	15G	ASGI_14_008	TO->FROM	FPL SWITCH - WOODWARD 138KV CKT 1	133	153	0.0469	139.1429	SPP-SWPS-01
FDNS	06ALL	2	15G	ASGI_14_008	TO->FROM	FPL SWITCH - WOODWARD 138KV CKT 1	133	153	0.04147	138.6541	SPP-SWPS-02A
FDNS	06ALL	2	15G	ASGI_14_008	TO->FROM	FPL SWITCH - WOODWARD 138KV CKT 1	133	153	0.04147	138.3635	GRAPEVINE INTERCHANGE - STATELINE INTERCHANGE 230KV CKT 1
FDNSLock	06ALL	2	15G	ASGI_14_008	TO->FROM	FPL SWITCH - WOODWARD 138KV CKT 1	133	153	0.03383	137.0502	IODINE - WOODWARD EHV 138KV CKT 1
FDNS	06ALL	2	15G	ASGI_14_008	TO->FROM	FPL SWITCH - WOODWARD 138KV CKT 1	133	153	0.03383	135.4149	DEWEY - IODINE 138KV CKT 1
FDNS	06ALL	2	15G	ASGI_14_008	TO->FROM	FPL SWITCH - WOODWARD 138KV CKT 1	133	153	0.04147	132.7991	STATELINE INTERCHANGE - STLN-DEMARC6 230KV CKT 1
FDNS	06ALL	2	15G	ASGI_14_008	TO->FROM	FPL SWITCH - WOODWARD 138KV CKT 1	133	153	0.04147	132.7953	SPP-SWPS-02

SOLUTION	GROUP	SCENARIO	SEASON	SOURCE	DIRECTION	MONITORED ELEMENT	RATEA (MVA)	RATEB (MVA)	TDF	TC%LOADING (% MVA)	CONTINGENCY
FDNS	06ALL	2	15G	ASGI_14_008	TO->FROM	FPL SWITCH - WOODWARD 138KV CKT 1	133	153	0.04147	132.7834	STLN-DEMARC6 - SWEETWATER 230KV CKT 1
FDNS	06ALL	2	15G	ASGI_14_008	TO->FROM	FPL SWITCH - WOODWARD 138KV CKT 1	133	153	0.0343	130.4683	GRAPEVINE INTERCHANGE - NICHOLS STATION 230KV CKT 1
FDNS	06ALL	2	15G	ASGI_14_008	TO->FROM	FPL SWITCH - WOODWARD 138KV CKT 1	133	153	0.03184	130.1106	WOODWARD - WOODWARD 69KV CKT 1
FDNS	06ALL	2	15G	ASGI_14_008	TO->FROM	FPL SWITCH - WOODWARD 138KV CKT 1	133	153	0.0346	126.1934	THISTLE7 345.00 - WOODWARD DISTRICT EHV 345KV CKT 1
FDNS	06ALL	2	15G	ASGI_14_008	TO->FROM	FPL SWITCH - WOODWARD 138KV CKT 1	133	153	0.0346	126.1934	THISTLE7 345.00 - WOODWARD DISTRICT EHV 345KV CKT 2
FDNS	06ALL	2	15G	ASGI_14_008	TO->FROM	FPL SWITCH - WOODWARD 138KV CKT 1	133	153	0.03407	124.5364	FINNEY SWITCHING STATION - HOLCOMB 345KV CKT 1
FDNS	06ALL	2	15G	ASGI_14_008	TO->FROM	FPL SWITCH - WOODWARD 138KV CKT 1	133	153	0.03168	124.2225	THISTLE7 345.00 - WICHITA 345KV CKT 1
FDNS	06ALL	2	15G	ASGI_14_008	TO->FROM	FPL SWITCH - WOODWARD 138KV CKT 1	133	153	0.03168	124.2225	THISTLE7 345.00 - WICHITA 345KV CKT 2
FDNS	06ALL	2	15G	ASGI_14_008	TO->FROM	FPL SWITCH - WOODWARD 138KV CKT 1	133	153	0.03407	123.294	SPP-SWPS-05
FDNS	06ALL	2	15G	ASGI_14_008	TO->FROM	FPL SWITCH - WOODWARD 138KV CKT 1	133	153	0.03407	123.2358	FINNEY SWITCHING STATION - Hitchland Interchange 345KV CKT 1
FDNS	06ALL	2	15G	ASGI_14_008	TO->FROM	FPL SWITCH - WOODWARD 138KV CKT 1	133	153	0.03148	120.7881	ELLIS 4 138.00 - RED HILLS WIND 138KV CKT 1
FDNS	06ALL	2	15G	ASGI_14_008	TO->FROM	FPL SWITCH - WOODWARD 138KV CKT 1	133	153	0.03148	118.2424	ELLIS 4 138.00 - MOREWOOD SW 138KV CKT 1
FDNS	06ALL	2	15SP	ASGI_14_008	TO->FROM	FPL SWITCH - WOODWARD 138KV CKT 1	133	153	0.05679	111.8037	DBL-THIS-WWR
FDNS	06ALL	2	15G	ASGI_14_008	TO->FROM	FPL SWITCH - WOODWARD 138KV CKT 1	133	153	0.03148	105.8822	ELK CITY - RED HILLS WIND 138KV CKT 1
FDNS	06ALL	2	15SP	ASGI_14_008	TO->FROM	FPL SWITCH - WOODWARD 138KV CKT 1	133	153	0.04837	105.4283	NORTHWEST - TATONGA7 345.00 345KV CKT 1
FDNS	06ALL	2	15SP	ASGI_14_008	TO->FROM	FPL SWITCH - WOODWARD 138KV CKT 1	133	153	0.05009	104.792	LAWTON EASTSIDE - OKLAUNION 345KV CKT 1
FDNS	06ALL	2	15SP	ASGI_14_008	TO->FROM	FPL SWITCH - WOODWARD 138KV CKT 1	133	153	0.04837	102.6609	SPSCONT-05B
FDNS	06ALL	2	15SP	ASGI_14_008	TO->FROM	FPL SWITCH - WOODWARD 138KV CKT 1	133	153	0.04837	101.5196	SPSCONT-04
FDNS	06ALL	2	15SP	ASGI_14_008	TO->FROM	FPL SWITCH - WOODWARD 138KV CKT 1	133	153	0.04585	100.868	DBL-THIS-WIC
FDNS	06ALL	2	15SP	ASGI_14_008	TO->FROM	FPL SWITCH - WOODWARD 138KV CKT 1	133	153	0.03514	97.8	WOODWARD (WOODWRD2) 138/69/13.2KV TRANSFORMER CKT 1
FDNS	06ALL	2	20WP	ASGI_14_008	TO->FROM	FPL SWITCH - WOODWARD 138KV CKT 1	171	185	0.05101	96.8	NORTHWEST - TATONGA7 345.00 345KV CKT 1
FDNS	06ALL	2	20WP	ASGI_14_008	TO->FROM	FPL SWITCH - WOODWARD 138KV CKT 1	171	185	0.06047	96.1	DBL-THIS-WWR
FDNS	06ALL	2	15G	ASGI_14_008	TO->FROM	GRAPEVINE INTERCHANGE - NICHOLS STATION 230KV CKT 1	319	351	0.1013	104.1544	LAWTON EASTSIDE - OKLAUNION 345KV CKT 1
FDNS	06ALL	2	20WP	ASGI_14_008	TO->FROM	GRAPEVINE INTERCHANGE - NICHOLS STATION 230KV CKT 1	329	361	0.12905	102.6379	LAWTON EASTSIDE - OKLAUNION 345KV CKT 1
FDNS	06ALL	2	15SP	ASGI_14_008	TO->FROM	GRAPEVINE INTERCHANGE - NICHOLS STATION 230KV CKT 1	319	351	0.10285	99.55632	LAWTON EASTSIDE - OKLAUNION 345KV CKT 1
FDNS	06ALL	2	15G	ASGI_14_008	FROM->TO	GRAPEVINE INTERCHANGE - STATELINE INTERCHANGE 230KV CKT 1	319	351	0.11276	96.1822	LAWTON EASTSIDE - OKLAUNION 345KV CKT 1
FDNS	06ALL	2	15G	ASGI_14_008	FROM->TO	HARPER - MILAN TAP 138KV CKT 1	138	143	0.03287	116.4392	DBL-THIS-WIC
FDNS	06ALL	2	15SP	ASGI_14_008	FROM->TO	HARPER - MILAN TAP 138KV CKT 1	127	136	0.0331	104.4461	DBL-THIS-WIC
FDNS	06ALL	2	15WP	ASGI_14_008	FROM->TO	HARPER - MILAN TAP 138KV CKT 1	143	143	0.03311	102.7312	DBL-THIS-WIC
FDNS	06ALL	2	25SP	ASGI_14_008	TO->FROM	IMC_#1_TP 3115.00 - INTREPDW_TP3115.00 115KV CKT 1	159	160	0.03795	137.5065	KIOWA 7345.00 - RDRUNNER 7345.00 345KV CKT 1
FDNS	06ALL	2	25SP	ASGI_14_008	TO->FROM	IMC_#1_TP 3115.00 - INTREPDW_TP3115.00 115KV CKT 1	159	160	0.03795	137.4626	RDRUNNER 7345.00 (UPDATE LATER) 345/115/13.2KV TRANSFORMER CKT 1
FDNS	06ALL	2	20SP	ASGI_14_008	TO->FROM	IMC_#1_TP 3115.00 - INTREPDW_TP3115.00 115KV CKT 1	159	160	0.03795	118.1728	KIOWA 7345.00 - RDRUNNER 7345.00 345KV CKT 1
FDNS	06ALL	2	20SP	ASGI_14_008	TO->FROM	IMC_#1_TP 3115.00 - INTREPDW_TP3115.00 115KV CKT 1	159	160	0.03795	118.1414	RDRUNNER 7345.00 (UPDATE LATER) 345/115/13.2KV TRANSFORMER CKT 1
FDNS	06ALL	2	20WP	ASGI_14_008	TO->FROM	IMC_#1_TP 3115.00 - INTREPDW_TP3115.00 115KV CKT 1	159	160	0.03786	117.1864	RDRUNNER 7345.00 (UPDATE LATER) 345/115/13.2KV TRANSFORMER CKT 1
FDNS	06ALL	2	20WP	ASGI_14_008	TO->FROM	IMC_#1_TP 3115.00 - INTREPDW_TP3115.00 115KV CKT 1	159	160	0.03786	117.1795	KIOWA 7345.00 - RDRUNNER 7345.00 345KV CKT 1
FDNS	06ALL	2	25SP	ASGI_14_008	TO->FROM	IMC_#1_TP 3115.00 - INTREPDW_TP3115.00 115KV CKT 1	159	160	0.03512	101.4782	ANDREWS 3115.00 - National Enrichment Plant Sub 115KV CKT 1
FDNS	06ALL	2	25SP	ASGI_14_008	TO->FROM	IMC_#1_TP 3115.00 - INTREPDW_TP3115.00 115KV CKT 1	159	160	0.03512	101.4762	ANDREWS 6230.00 - G14_012T 230.00 230KV CKT 1
FDNS	06ALL	2	25SP	ASGI_14_008	TO->FROM	IMC_#1_TP 3115.00 - INTREPDW_TP3115.00 115KV CKT 1	159	160	0.03512	101.473	ANDRWSXFMR12
FDNS	06ALL	2	25SP	ASGI_14_008	FROM->TO	IMC_#1_TP 3115.00 - LIVSTNRIDGE3115.00 115KV CKT 1	159	160	0.03795	127.4051	KIOWA 7345.00 - RDRUNNER 7345.00 345KV CKT 1
FDNS	06ALL	2	25SP	ASGI_14_008	FROM->TO	IMC_#1_TP 3115.00 - LIVSTNRIDGE3115.00 115KV CKT 1	159	160	0.03795	127.3504	RDRUNNER 7345.00 (UPDATE LATER) 345/115/13.2KV TRANSFORMER CKT 1
FDNS	06ALL	2	20SP	ASGI_14_008	FROM->TO	IMC_#1_TP 3115.00 - LIVSTNRIDGE3115.00 115KV CKT 1	159	160	0.03795	108.3083	KIOWA 7345.00 - RDRUNNER 7345.00 345KV CKT 1
FDNS	06ALL	2	20SP	ASGI_14_008	FROM->TO	IMC_#1_TP 3115.00 - LIVSTNRIDGE3115.00 115KV CKT 1	159	160	0.03795	108.2549	RDRUNNER 7345.00 (UPDATE LATER) 345/115/13.2KV TRANSFORMER CKT 1
FDNS	06ALL	2	20WP	ASGI_14_008	FROM->TO	IMC_#1_TP 3115.00 - LIVSTNRIDGE3115.00 115KV CKT 1	165	177	0.03786	96.7	KIOWA 7345.00 - RDRUNNER 7345.00 345KV CKT 1
FDNS	06ALL	2	20WP	ASGI_14_008	FROM->TO	IMC_#1_TP 3115.00 - LIVSTNRIDGE3115.00 115KV CKT 1	165	177	0.03786	96.7	RDRUNNER 7345.00 (UPDATE LATER) 345/115/13.2KV TRANSFORMER CKT 1
FDNS	06ALL	2	25SP	ASGI_14_008	TO->FROM	INTREPDW_TP3115.00 - POTASH JUNCTION INTERCHANGE 115KV CKT 1	159	160	0.03795	150.253	KIOWA 7345.00 - RDRUNNER 7345.00 345KV CKT 1
FDNS	06ALL	2	25SP	ASGI_14_008	TO->FROM	INTREPDW_TP3115.00 - POTASH JUNCTION INTERCHANGE 115KV CKT 1	159	160	0.03795	150.1858	RDRUNNER 7345.00 (UPDATE LATER) 345/115/13.2KV TRANSFORMER CKT 1
FDNS	06ALL	2	20SP	ASGI_14_008	TO->FROM	INTREPDW_TP3115.00 - POTASH JUNCTION INTERCHANGE 115KV CKT 1	159	160	0.03795	132.7084	KIOWA 7345.00 - RDRUNNER 7345.00 345KV CKT 1
FDNS	06ALL	2	20SP	ASGI_14_008	TO->FROM	INTREPDW_TP3115.00 - POTASH JUNCTION INTERCHANGE 115KV CKT 1	159	160	0.03795	132.66	RDRUNNER 7345.00 (UPDATE LATER) 345/115/13.2KV TRANSFORMER CKT 1
FDNS	06ALL	2	20WP	ASGI_14_008	TO->FROM	INTREPDW_TP3115.00 - POTASH JUNCTION INTERCHANGE 115KV CKT 1	165	177	0.03786	117.7835	KIOWA 7345.00 - RDRUNNER 7345.00 345KV CKT 1
FDNS	06ALL	2	20WP	ASGI_14_008	TO->FROM	INTREPDW_TP3115.00 - POTASH JUNCTION INTERCHANGE 115KV CKT 1	165	177	0.03786	117.7738	RDRUNNER 7345.00 (UPDATE LATER) 345/115/13.2KV TRANSFORMER CKT 1
FDNS	06ALL	2	25SP	ASGI_14_008	TO->FROM	INTREPDW_TP3115.00 - POTASH JUNCTION INTERCHANGE 115KV CKT 1	159	160	0.03512	114.4298	ANDREWS 3115.00 - National Enrichment Plant Sub 115KV CKT 1
FDNS	06ALL	2	25SP	ASGI_14_008	TO->FROM	INTREPDW_TP3115.00 - POTASH JUNCTION INTERCHANGE 115KV CKT 1	159	160	0.03512	114.4266	ANDREWS 6230.00 - G14_012T 230.00 230KV CKT 1
FDNS	06ALL	2	25SP	ASGI_14_008	TO->FROM	INTREPDW_TP3115.00 - POTASH JUNCTION INTERCHANGE 115KV CKT 1	159	160	0.03512	114.4241	ANDRWSXFMR12
FDNS	06ALL	2	25SP	ASGI_14_008	TO->FROM	INTREPDW_TP3115.00 - POTASH JUNCTION INTERCHANGE 115KV CKT 1	159	160	0.03586	102.5179	BYRD SUB - MONUMENT TAP 115KV CKT 1
FDNS	06ALL	2	25SP	ASGI_14_008	TO->FROM	INTREPDW_TP3115.00 - POTASH JUNCTION INTERCHANGE 115KV CKT 1	159	160	0.03586	102.5128	CUNNINGHAM STATION - MONUMENT TAP 115KV CKT 1
FDNS	06ALL	2	25SP	ASGI_14_008	TO->FROM	INTREPDW_TP3115.00 - POTASH JUNCTION INTERCHANGE 115KV CKT 1	159	160	0.03949	101.6759	CHINA_DRAW 3115.00 - WOOD_DRAW 3115.00 115KV CKT 1
FDNS	06ALL	2	25SP	ASGI_14_008	TO->FROM	INTREPDW_TP3115.00 - POTASH JUNCTION INTERCHANGE 115KV CKT 1	159	160	0.03586	101.4284	COOPER RANCH SUB - OIL_CENTER 3115.00 115KV CKT 1
FDNS	06ALL	2	25SP	ASGI_14_008	TO->FROM	INTREPDW_TP3115.00 - POTASH JUNCTION INTERCHANGE 115KV CKT 1	159	160	0.03654	101.3157	CHINA_DRAW 7345.00 (UPDATE LATER) 345/115/13.2KV TRANSFORMER CKT 1
FDNS	06ALL	2	25SP	ASGI_14_008	TO->FROM	INTREPDW_TP3115.00 - POTASH JUNCTION INTERCHANGE 115KV CKT 1	159	160	0.03654	101.3032	CHINA_DRAW 7345.00 - NLOV_PLT 7345.00 345KV CKT 1
FDNS	06ALL	2	25SP	ASGI_14_008	TO->FROM	INTREPDW_TP3115.00 - POTASH JUNCTION INTERCHANGE 115KV CKT 1	159	160	0.03586	101.293	LEA ROAD SUB - OIL_CENTER 3115.00 115KV CKT 1
FDNS	06ALL	2	25SP	ASGI_14_008	TO->FROM	INTREPDW_TP3115.00 - POTASH JUNCTION INTERCHANGE 115KV CKT 1	159	160	0.03586	100.645	BYRD SUB - COOPER RANCH SUB 115KV CKT 1
FDNS	06ALL	2	20SP	ASGI_14_008	TO->FROM	INTREPDW_TP3115.00 - POTASH JUNCTION INTERCHANGE 115KV CKT 1	159	160	0.03512	99.9	ANDREWS 3115.00 - National Enrichment Plant Sub 115KV CKT 1
FDNS	06ALL	2	20SP	ASGI_14_008	TO->FROM	INTREPDW_TP3115.00 - POTASH JUNCTION INTERCHANGE 115KV CKT 1	159	160	0.03512	99.9	ANDREWS 6230.00 - G14_012T 230.00 230KV CKT 1
FDNS	06ALL	2	20SP	ASGI_14_008	TO->FROM	INTREPDW_TP3115.00 - POTASH JUNCTION INTERCHANGE 115KV CKT 1	159	160	0.03512	99.9	ANDRWSXFMR12
FDNS	06ALL	2	20SP	ASGI_14_008	TO->FROM	INTREPDW_TP3115.00 - POTASH JUNCTION INTERCHANGE 115KV CKT 1	159	160	0.03512	99.9	G14_012T 230.00 - HOBBS INTERCHANGE 230KV CKT 1
FDNS	06ALL	2	25SP	ASGI_14_008	TO->FROM	INTREPDW_TP3115.00 - POTASH JUNCTION INTERCHANGE 115KV CKT 1	159	160	0.03586	99.4	LEA ROAD SUB - WARD SUB 115KV CKT 1
FDNS	06ALL	2	25SP	ASGI_14_008	TO->FROM	INTREPDW_TP3115.00 - POTASH JUNCTION INTERCHANGE 115KV CKT 1	159	160	0.03586	99.1	WARD SUB - WHITTEN SUB 115KV CKT 1
FDNS	06ALL	2	25SP	ASGI_14_008	TO->FROM	INTREPDW_TP3115.00 - POTASH JUNCTION INTERCHANGE 115KV CKT 1	159	160	0.03586	99	SPP-SWPS-T39
FDNS	06ALL	2	25SP	ASGI_14_008	TO->FROM	INTREPDW_TP3115.00 - POTASH JUNCTION INTERCHANGE 115KV CKT 1	159	160	0.03612	97.8	PNDEROSATP 3115.00 - WHITTEN SUB 115KV CKT 1
FDNS	06ALL	2	25SP	ASGI_14_008	TO->FROM	INTREPDW_TP3115.00 - POTASH JUNCTION INTERCHANGE 115KV CKT 1	159	160	0.03612	96	OCHOA SUB - PNDEROSATP 3115.00 115KV CKT 1
FDNS	06ALL	2	25SP	ASGI_14_008	TO->FROM	INTREPDW_TP3115.00 - POTASH JUNCTION INTERCHANGE 115KV CKT 1	159	160	0.03789	95.8	GEN562495 1-G14_012_2 18.000
FDNS	06ALL	2	25SP	ASGI_14_0							

SOLUTION	GROUP	SCENARIO	SEASON	SOURCE	DIRECTION	MONITORED ELEMENT	RATEA (MVA)	RATEB (MVA)	TDF	TC%LOADING (% MVA)	CONTINGENCY
FDNS	06ALL	2	25SP	ASGI_14_008	TO->FROM	INTREPDW_TP3115.00 - POTASH JUNCTION INTERCHANGE 115KV CKT 1	159	160	0.03748	95.60589	ANDREWS 6230.00 (FROM MIDLAND) 230/115/13.2KV TRANSFORMER CKT 1
FDNS	06ALL	2	15WP	ASGI_14_008	TO->FROM	PLANT X STATION - TOLK STATION EAST 230KV CKT 2	557	557	0.30435	99.7	PLANT X STATION - TOLK STATION WEST 230KV CKT 1
FDNS	06ALL	2	20SP	ASGI_14_008	TO->FROM	PLANT X STATION - TOLK STATION EAST 230KV CKT 2	478	502	0.22052	96.2	PLANT X STATION - TOLK STATION WEST 230KV CKT 1
FDNS	06ALL	2	20SP	ASGI_14_008	TO->FROM	PLANT X STATION - TOLK STATION WEST 230KV CKT 1	478	502	0.22264	96.9	PLANT X STATION - TOLK STATION EAST 230KV CKT 2
FDNS	06ALL	2	15SP	ASGI_14_008	FROM->TO	PLANT X STATION (WH ALM20171) 230/115/13.2KV TRANSFORMER CKT 1	252	252	0.10105	106.9543	NEWHART 230 - PLANT X STATION 230KV CKT 1
FDNS	06ALL	2	15SP	ASGI_14_008	FROM->TO	PLANT X STATION (WH ALM20171) 230/115/13.2KV TRANSFORMER CKT 1	252	252	0.06306	104.7846	LAMB COUNTY INTERCHANGE (WH ALM20172) 230/115/13.2KV TRANSFORMER CKT 1
FDNS	06ALL	2	15SP	ASGI_14_008	FROM->TO	PLANT X STATION (WH ALM20171) 230/115/13.2KV TRANSFORMER CKT 1	252	252	0.06306	104.7807	SPP-SWPS-K37
FDNS	06ALL	2	15SP	ASGI_14_008	FROM->TO	PLANT X STATION (WH ALM20171) 230/115/13.2KV TRANSFORMER CKT 1	252	252	0.06306	104.7599	LAMB COUNTY INTERCHANGE - TOLK STATION WEST 230KV CKT 1
FDNS	06ALL	2	15SP	ASGI_14_008	FROM->TO	PLANT X STATION (WH ALM20171) 230/115/13.2KV TRANSFORMER CKT 1	252	252	0.10105	104.2664	NEWHART 230 - PLANT X STATION 230KV CKT 1
FDNS	06ALL	2	15SP	ASGI_14_008	FROM->TO	PLANT X STATION (WH ALM20171) 230/115/13.2KV TRANSFORMER CKT 1	252	252	0.0865	102.3785	DEAF SMITH COUNTY INTERCHANGE - PLANT X STATION 230KV CKT 1
FDNS	06ALL	2	15SP	ASGI_14_008	FROM->TO	PLANT X STATION (WH ALM20171) 230/115/13.2KV TRANSFORMER CKT 1	252	252	0.06306	102.3506	LAMB COUNTY INTERCHANGE (WH ALM20172) 230/115/13.2KV TRANSFORMER CKT 1
FDNS	06ALL	2	15SP	ASGI_14_008	FROM->TO	PLANT X STATION (WH ALM20171) 230/115/13.2KV TRANSFORMER CKT 1	252	252	0.06306	102.3469	SPP-SWPS-K37
FDNS	06ALL	2	15SP	ASGI_14_008	FROM->TO	PLANT X STATION (WH ALM20171) 230/115/13.2KV TRANSFORMER CKT 1	252	252	0.06306	102.3256	LAMB COUNTY INTERCHANGE - TOLK STATION WEST 230KV CKT 1
FDNS	06ALL	2	15SP	ASGI_14_008	FROM->TO	PLANT X STATION (WH ALM20171) 230/115/13.2KV TRANSFORMER CKT 1	252	252	0.0865	99.6	DEAF SMITH COUNTY INTERCHANGE - PLANT X STATION 230KV CKT 1
FDNS	06ALL	2	15SP	ASGI_14_008	FROM->TO	PLANT X STATION (WH ALM20171) 230/115/13.2KV TRANSFORMER CKT 1	252	252	0.05836	95.6	GEN525493 1-PLANT X GEN #3
FDNS	06ALL	2	20WP	ASGI_14_008	FROM->TO	TUCO INTERCHANGE - TUCO_2 230.00 230KV CKT 1	329	361	0.12829	101.7389	SPP-SWPS-01
FDNS	06ALL	2	20WP	ASGI_14_008	FROM->TO	TUCO INTERCHANGE - TUCO_2 230.00 230KV CKT 1	329	361	0.13001	100.0723	TUCO INTERCHANGE (GE M1022338) 345/230/13.2KV TRANSFORMER CKT 1
FDNS	06ALL	2	15G	ASGI_14_008	FROM->TO	TUCO INTERCHANGE - TUCO_2 230.00 230KV CKT 1	319	351	0.15355	98.75284	LAWTON EASTSIDE - OKLAUNION 345KV CKT 1
FDNS	06ALL	2	15SP	ASGI_14_008	FROM->TO	TUCO INTERCHANGE - TUCO_2 230.00 230KV CKT 1	319	351	0.18688	96.5	TUCO INTERCHANGE - TUCO_2 345.00 345KV CKT 1
FDNS	06ALL	2	15WP	ASGI_14_008	FROM->TO	TUCO INTERCHANGE - TUCO_2 230.00 230KV CKT 1	329	361	0.21898	96.4	TUCO INTERCHANGE (GE M1022338) 345/230/13.2KV TRANSFORMER CKT 1
FDNS	06ALL	2	15WP	ASGI_14_008	FROM->TO	TUCO INTERCHANGE - TUCO_2 230.00 230KV CKT 1	329	361	0.21026	95.1	SPP-SWPS-01
FDNS	06ALL	3	15G	ASGI_14_008	FROM->TO	CLEARWATER - GILL ENERGY CENTER WEST 138KV CKT 1	143	143	0.03291	100.3353	DBL-THIS-WIC
FDNS	06ALL	3	15G	ASGI_14_008	TO->FROM	CLEARWATER - MILAN TAP 138KV CKT 1	110	110	0.03291	139.9081	DBL-THIS-WIC
FDNS	06ALL	3	20WP	ASGI_14_008	TO->FROM	CLEARWATER - MILAN TAP 138KV CKT 1	110	110	0.03279	108.5249	DBL-THIS-WIC
FDNS	06ALL	3	15WP	ASGI_14_008	TO->FROM	CLEARWATER - MILAN TAP 138KV CKT 1	110	110	0.03314	106.1126	DBL-THIS-WIC
FDNS	06ALL	3	15SP	ASGI_14_008	TO->FROM	CLEARWATER - MILAN TAP 138KV CKT 1	110	110	0.03312	99.9	DBL-THIS-WIC
FDNS	06ALL	3	15SP	ASGI_14_008	FROM->TO	CURRY COUNTY INTERCHANGE - DEAF SMITH REC-#20 115KV CKT 1	96	96	0.06433	120.7305	DEAF SMITH COUNTY INTERCHANGE - PLANT X STATION 230KV CKT 1
FDNS	06ALL	3	20SP	ASGI_14_008	FROM->TO	CURRY COUNTY INTERCHANGE - DEAF SMITH REC-#20 115KV CKT 1	96	96	0.04822	104.6276	DEAF SMITH COUNTY INTERCHANGE - PLANT X STATION 230KV CKT 1
FDNS	06ALL	3	15SP	ASGI_14_008	FROM->TO	CURRY COUNTY INTERCHANGE - DEAF SMITH REC-#20 115KV CKT 1	96	96	0.04808	103.3912	LAWTON EASTSIDE - OKLAUNION 345KV CKT 1
FDNS	06ALL	3	15SP	ASGI_14_008	TO->FROM	DEAF SMITH COUNTY INTERCHANGE - PLANT X STATION 230KV CKT 1	319	351	0.18614	109.4403	LAWTON EASTSIDE - OKLAUNION 345KV CKT 1
FDNS	06ALL	3	15SP	ASGI_14_008	TO->FROM	DEAF SMITH COUNTY INTERCHANGE - PLANT X STATION 230KV CKT 1	319	351	0.20138	96.9	NEWHART 230 - PLANT X STATION 230KV CKT 1
FDNS	06ALL	3	15SP	ASGI_14_008	TO->FROM	DEAF SMITH COUNTY INTERCHANGE - PLANT X STATION 230KV CKT 1	319	351	0.18728	96.2	SPP-SWPS-01
FDNS	06ALL	3	15SP	ASGI_14_008	TO->FROM	DEAF SMITH COUNTY INTERCHANGE - PLANT X STATION 230KV CKT 1	319	351	0.18614	96	SPSCONT-01
FDNS	06ALL	3	15SP	ASGI_14_008	TO->FROM	DEAF SMITH COUNTY INTERCHANGE - PLANT X STATION 230KV CKT 1	319	351	0.18614	95.8	OKLAUNION - TUCO INTERCHANGE 345KV CKT 1
FDNS	06ALL	3	15SP	ASGI_14_008	FROM->TO	DEAF SMITH REC-#20 - PARMER COUNTY SUB 115KV CKT 1	96	96	0.06433	107.5483	DEAF SMITH COUNTY INTERCHANGE - PLANT X STATION 230KV CKT 1
FDNS	06ALL	3	15SP	ASGI_14_008	TO->FROM	DEAF SMITH REC-#24 - PARMER COUNTY SUB 115KV CKT 1	96	96	0.06433	99.8	DEAF SMITH COUNTY INTERCHANGE - PLANT X STATION 230KV CKT 1
FDNS	06ALL	3	15G	ASGI_14_008	FROM->TO	ELK CITY 230KV (ELKCTY-6) 230/138/13.8KV TRANSFORMER CKT 1	287	316	0.11289	106.8002	LAWTON EASTSIDE - OKLAUNION 345KV CKT 1
FDNS	06ALL	3	15G	ASGI_14_008	FROM->TO	ELK CITY 230KV (ELKCTY-6) 230/138/13.8KV TRANSFORMER CKT 1	287	316	0.11289	104.9708	LAWTON EASTSIDE - OKLAUNION 345KV CKT 1
FDNS	06ALL	3	15SP	ASGI_14_008	FROM->TO	ELK CITY 230KV (ELKCTY-6) 230/138/13.8KV TRANSFORMER CKT 1	272	316	0.12089	100.0238	LAWTON EASTSIDE - OKLAUNION 345KV CKT 1
FDNS	06ALL	3	15WP	ASGI_14_008	FROM->TO	ELK CITY 230KV (ELKCTY-6) 230/138/13.8KV TRANSFORMER CKT 1	287	316	0.12437	99.80477	LAWTON EASTSIDE - OKLAUNION 345KV CKT 1
FDNS	06ALL	3	15SP	ASGI_14_008	FROM->TO	ELK CITY 230KV (ELKCTY-6) 230/138/13.8KV TRANSFORMER CKT 1	272	316	0.12089	98.58963	LAWTON EASTSIDE - OKLAUNION 345KV CKT 1
FDNS	06ALL	3	15WP	ASGI_14_008	FROM->TO	ELK CITY 230KV (ELKCTY-6) 230/138/13.8KV TRANSFORMER CKT 1	287	316	0.12437	98.40416	LAWTON EASTSIDE - OKLAUNION 345KV CKT 1
FDNS	06ALL	3	15G	ASGI_14_008	FROM->TO	ELK CITY 230KV (ELKCTY-6) 230/138/13.8KV TRANSFORMER CKT 1	287	316	0.11289	97.5	SPSCONT-01
FDNS	06ALL	3	15G	ASGI_14_008	FROM->TO	ELK CITY 230KV (ELKCTY-6) 230/138/13.8KV TRANSFORMER CKT 1	287	316	0.11349	96.7	SPP-SWPS-01
FDNS-CHECK-TC-Iteration Limit Exceeded.	06ALL	3	15G	ASGI_14_008	FROM->TO	ELK CITY 230KV (ELKCTY-6) 230/138/13.8KV TRANSFORMER CKT 1	287	316	0.09794	96.7	DBL-G1114-WW
FDNS	06ALL	3	15G	ASGI_14_008	FROM->TO	ELK CITY 230KV (ELKCTY-6) 230/138/13.8KV TRANSFORMER CKT 1	287	316	0.11289	96.5	SPSCONT-01
FDNS	06ALL	3	15G	ASGI_14_008	FROM->TO	ELK CITY 230KV (ELKCTY-6) 230/138/13.8KV TRANSFORMER CKT 1	287	316	0.11289	96.4	OKLAUNION - TUCO INTERCHANGE 345KV CKT 1
FDNS	06ALL	3	15G	ASGI_14_008	FROM->TO	ELK CITY 230KV (ELKCTY-6) 230/138/13.8KV TRANSFORMER CKT 1	287	316	0.09794	95.6	DBL-BVR-G111
FDNS-CHECK-TC-Iteration Limit Exceeded.	06ALL	3	15G	ASGI_14_008	FROM->TO	ELK CITY 230KV (ELKCTY-6) 230/138/13.8KV TRANSFORMER CKT 1	287	316	0.09794	95.6	DBL-G1114-WW
FDNS	06ALL	3	15G	ASGI_14_008	FROM->TO	ELK CITY 230KV (ELKCTY-6) 230/138/13.8KV TRANSFORMER CKT 1	287	316	0.11349	95.5	SPP-SWPS-01
FDNS	06ALL	3	15G	ASGI_14_008	FROM->TO	ELK CITY 230KV (ELKCTY-6) 230/138/13.8KV TRANSFORMER CKT 1	287	316	0.11289	95.3	OKLAUNION - TUCO INTERCHANGE 345KV CKT 1
FDNS	06ALL	3	15SP	ASGI_14_008	TO->FROM	FLATRDG3 - THISTLE4 138.00 138KV CKT 1	286	286	0.04778	98.1	DBL-THIS-WIC
FDNS	06ALL	3	15G	ASGI_14_008	TO->FROM	FPL SWITCH - WOODWARD 138KV CKT 1	133	153	0.04547	161.139	NORTHWEST - TATONGA7 345.00 345KV CKT 1
FDNS	06ALL	3	15G	ASGI_14_008	TO->FROM	FPL SWITCH - WOODWARD 138KV CKT 1	133	153	0.0536	159.4606	DBL-THIS-WWR
FDNS	06ALL	3	15G	ASGI_14_008	TO->FROM	FPL SWITCH - WOODWARD 138KV CKT 1	133	153	0.04547	157.7752	SPSCONT-05B
FDNS	06ALL	3	15G	ASGI_14_008	TO->FROM	FPL SWITCH - WOODWARD 138KV CKT 1	133	153	0.04547	157.1729	SPSCONT-04
FDNS	06ALL	3	15G	ASGI_14_008	TO->FROM	FPL SWITCH - WOODWARD 138KV CKT 1	133	153	0.04296	154.0712	DBL-THIS-WIC
FDNS	06ALL	3	15G	ASGI_14_008	TO->FROM	FPL SWITCH - WOODWARD 138KV CKT 1	133	153	0.04716	152.6468	LAWTON EASTSIDE - OKLAUNION 345KV CKT 1
FDNS	06ALL	3	15G	ASGI_14_008	TO->FROM	FPL SWITCH - WOODWARD 138KV CKT 1	133	153	0.04547	147.5252	G11_051T 345.00 - TATONGA7 345.00 345KV CKT 1
FDNS	06ALL	3	15G	ASGI_14_008	TO->FROM	FPL SWITCH - WOODWARD 138KV CKT 1	133	153	0.04547	146.2378	G11_051T 345.00 - WOODWARD DISTRICT EHV 345KV CKT 1
FDNS	06ALL	3	15G	ASGI_14_008	TO->FROM	FPL SWITCH - WOODWARD 138KV CKT 1	133	153	0.03188	143.417	WOODWARD (WOODWRD2) 138/69/13.2KV TRANSFORMER CKT 1
FDNS	06ALL	3	15G	ASGI_14_008	TO->FROM	FPL SWITCH - WOODWARD 138KV CKT 1	133	153	0.04547	143.0314	SPSCONT-05AX

SOLUTION	GROUP	SCENARIO	SEASON	SOURCE	DIRECTION	MONITORED ELEMENT	RATEA (MVA)	RATEB(MVA)	TC%LOADING TDF (% MVA)	CONTINGENCY	
FDNS	06ALL	3	15G	ASGI_14_008	TO->FROM	FPL SWITCH - WOODWARD 138KV CKT 1	133	153	0.04152	142.1867	ELK CITY 230KV - SWEETWATER 230KV CKT 1
FDNS	06ALL	3	15G	ASGI_14_008	TO->FROM	FPL SWITCH - WOODWARD 138KV CKT 1	133	153	0.04152	142.1522	ELK CITY 230KV (ELKCTY-6) 230/138/13.8KV TRANSFORMER CKT 1
FDNS	06ALL	3	15G	ASGI_14_008	TO->FROM	FPL SWITCH - WOODWARD 138KV CKT 1	133	153	0.04716	141.5408	SPSCONT-01
FDNS	06ALL	3	15G	ASGI_14_008	TO->FROM	FPL SWITCH - WOODWARD 138KV CKT 1	133	153	0.04174	139.7718	SPP-SWPS-03
FDNS	06ALL	3	15G	ASGI_14_008	TO->FROM	FPL SWITCH - WOODWARD 138KV CKT 1	133	153	0.04716	139.4068	OKLAUNION - TUCO INTERCHANGE 345KV CKT 1
FDNS	06ALL	3	15G	ASGI_14_008	TO->FROM	FPL SWITCH - WOODWARD 138KV CKT 1	133	153	0.04695	139.2189	SPP-SWPS-01
FDNS	06ALL	3	15G	ASGI_14_008	TO->FROM	FPL SWITCH - WOODWARD 138KV CKT 1	133	153	0.04152	138.5807	SPP-SWPS-02A
FDNS	06ALL	3	15G	ASGI_14_008	TO->FROM	FPL SWITCH - WOODWARD 138KV CKT 1	133	153	0.04152	138.419	GRAPEVINE INTERCHANGE - STATELINE INTERCHANGE 230KV CKT 1
FDNS	06ALL	3	15G	ASGI_14_008	TO->FROM	FPL SWITCH - WOODWARD 138KV CKT 1	133	153	0.03387	137.3554	IODINE - WOODWARD EHV 138KV CKT 1
FDNS	06ALL	3	15G	ASGI_14_008	TO->FROM	FPL SWITCH - WOODWARD 138KV CKT 1	133	153	0.03387	135.3142	DEWEY - IODINE 138KV CKT 1
FDNS	06ALL	3	15G	ASGI_14_008	TO->FROM	FPL SWITCH - WOODWARD 138KV CKT 1	133	153	0.04152	132.9488	STATELINE INTERCHANGE - STLN-DEMARC6 230KV CKT 1
FDNS	06ALL	3	15G	ASGI_14_008	TO->FROM	FPL SWITCH - WOODWARD 138KV CKT 1	133	153	0.04152	132.9455	SPP-SWPS-02
FDNS	06ALL	3	15G	ASGI_14_008	TO->FROM	FPL SWITCH - WOODWARD 138KV CKT 1	133	153	0.04152	132.9341	STLN-DEMARC6 - SWEETWATER 230KV CKT 1
FDNS	06ALL	3	15G	ASGI_14_008	TO->FROM	FPL SWITCH - WOODWARD 138KV CKT 1	133	153	0.03434	130.4008	GRAPEVINE INTERCHANGE - NICHOLS STATION 230KV CKT 1
FDNS	06ALL	3	15G	ASGI_14_008	TO->FROM	FPL SWITCH - WOODWARD 138KV CKT 1	133	153	0.03188	130.0269	WOODWARD - WOODWARD 69KV CKT 1
FDNS	06ALL	3	15G	ASGI_14_008	TO->FROM	FPL SWITCH - WOODWARD 138KV CKT 1	133	153	0.03464	126.1489	THISTLE7 345.00 - WOODWARD DISTRICT EHV 345KV CKT 1
FDNS	06ALL	3	15G	ASGI_14_008	TO->FROM	FPL SWITCH - WOODWARD 138KV CKT 1	133	153	0.03464	126.1489	THISTLE7 345.00 - WOODWARD DISTRICT EHV 345KV CKT 2
FDNS	06ALL	3	15G	ASGI_14_008	TO->FROM	FPL SWITCH - WOODWARD 138KV CKT 1	133	153	0.03411	124.4764	FINNEY SWITCHING STATION - HOLCOMB 345KV CKT 1
FDNS	06ALL	3	15G	ASGI_14_008	TO->FROM	FPL SWITCH - WOODWARD 138KV CKT 1	133	153	0.03172	124.1911	THISTLE7 345.00 - WICHITA 345KV CKT 1
FDNS	06ALL	3	15G	ASGI_14_008	TO->FROM	FPL SWITCH - WOODWARD 138KV CKT 1	133	153	0.03172	124.1911	THISTLE7 345.00 - WICHITA 345KV CKT 2
FDNS	06ALL	3	15G	ASGI_14_008	TO->FROM	FPL SWITCH - WOODWARD 138KV CKT 1	133	153	0.03411	123.2348	SPP-SWPS-05
FDNS	06ALL	3	15G	ASGI_14_008	TO->FROM	FPL SWITCH - WOODWARD 138KV CKT 1	133	153	0.03411	123.1767	FINNEY SWITCHING STATION - Hitchland Interchange 345KV CKT 1
FDNS	06ALL	3	15G	ASGI_14_008	TO->FROM	FPL SWITCH - WOODWARD 138KV CKT 1	133	153	0.03152	120.7358	ELLIS 4 138.00 - RED HILLS WIND 138KV CKT 1
FDNS	06ALL	3	15G	ASGI_14_008	TO->FROM	FPL SWITCH - WOODWARD 138KV CKT 1	133	153	0.03152	118.208	ELLIS 4 138.00 - MOREWOOD SW 138KV CKT 1
FDNS	06ALL	3	15SP	ASGI_14_008	TO->FROM	FPL SWITCH - WOODWARD 138KV CKT 1	133	153	0.05682	111.727	DBL-THIS-WWR
FDNS	06ALL	3	15G	ASGI_14_008	TO->FROM	FPL SWITCH - WOODWARD 138KV CKT 1	133	153	0.03152	106.2134	ELK CITY - RED HILLS WIND 138KV CKT 1
FDNS	06ALL	3	15SP	ASGI_14_008	TO->FROM	FPL SWITCH - WOODWARD 138KV CKT 1	133	153	0.0484	105.3474	NORTHWEST - TATONGA7 345.00 345KV CKT 1
FDNS	06ALL	3	15SP	ASGI_14_008	TO->FROM	FPL SWITCH - WOODWARD 138KV CKT 1	133	153	0.05012	104.763	LAWTON EASTSIDE - OKLAUNION 345KV CKT 1
FDNS	06ALL	3	15SP	ASGI_14_008	TO->FROM	FPL SWITCH - WOODWARD 138KV CKT 1	133	153	0.0484	102.5806	SPSCONT-05B
FDNS	06ALL	3	15SP	ASGI_14_008	TO->FROM	FPL SWITCH - WOODWARD 138KV CKT 1	133	153	0.0484	101.4405	SPSCONT-04
FDNS	06ALL	3	15SP	ASGI_14_008	TO->FROM	FPL SWITCH - WOODWARD 138KV CKT 1	133	153	0.04587	100.7966	DBL-THIS-WIC
FDNS	06ALL	3	15SP	ASGI_14_008	TO->FROM	FPL SWITCH - WOODWARD 138KV CKT 1	133	153	0.03517	97.7	WOODWARD (WOODWRD2) 138/69/13.2KV TRANSFORMER CKT 1
FDNS	06ALL	3	20WP	ASGI_14_008	TO->FROM	FPL SWITCH - WOODWARD 138KV CKT 1	171	185	0.05106	96.7	NORTHWEST - TATONGA7 345.00 345KV CKT 1
FDNS	06ALL	3	20WP	ASGI_14_008	TO->FROM	FPL SWITCH - WOODWARD 138KV CKT 1	171	185	0.06053	96	DBL-THIS-WWR
FDNS	06ALL	3	15G	ASGI_14_008	TO->FROM	GRAPEVINE INTERCHANGE - NICHOLS STATION 230KV CKT 1	319	351	0.10141	104.2251	LAWTON EASTSIDE - OKLAUNION 345KV CKT 1
FDNS	06ALL	3	20WP	ASGI_14_008	TO->FROM	GRAPEVINE INTERCHANGE - NICHOLS STATION 230KV CKT 1	329	361	0.12917	102.6177	LAWTON EASTSIDE - OKLAUNION 345KV CKT 1
FDNS	06ALL	3	15SP	ASGI_14_008	TO->FROM	GRAPEVINE INTERCHANGE - NICHOLS STATION 230KV CKT 1	319	351	0.10291	99.55151	LAWTON EASTSIDE - OKLAUNION 345KV CKT 1
FDNS	06ALL	3	15G	ASGI_14_008	FROM->TO	GRAPEVINE INTERCHANGE - STATELINE INTERCHANGE 230KV CKT 1	319	351	0.11289	96.19302	LAWTON EASTSIDE - OKLAUNION 345KV CKT 1
FDNS	06ALL	3	15G	ASGI_14_008	FROM->TO	HARPER - MILAN TAP 138KV CKT 1	138	143	0.03291	116.387	DBL-THIS-WIC
FDNS	06ALL	3	15SP	ASGI_14_008	FROM->TO	HARPER - MILAN TAP 138KV CKT 1	127	136	0.03312	104.4151	DBL-THIS-WIC
FDNS	06ALL	3	15WP	ASGI_14_008	FROM->TO	HARPER - MILAN TAP 138KV CKT 1	143	143	0.03314	102.7046	DBL-THIS-WIC
FDNS	06ALL	3	25SP	ASGI_14_008	TO->FROM	IMC_#1_TP 3115.00 - INTREPDW_TP3115.00 115KV CKT 1	159	160	0.03795	137.5409	KIOWA 7345.00 - RDRUNNER 7345.00 345KV CKT 1
FDNS	06ALL	3	25SP	ASGI_14_008	TO->FROM	IMC_#1_TP 3115.00 - INTREPDW_TP3115.00 115KV CKT 1	159	160	0.03795	137.4969	RDRUNNER 7345.00 (UPDATE LATER) 345/115/13.2KV TRANSFORMER CKT 1
FDNS	06ALL	3	20SP	ASGI_14_008	TO->FROM	IMC_#1_TP 3115.00 - INTREPDW_TP3115.00 115KV CKT 1	159	160	0.03795	118.2032	KIOWA 7345.00 - RDRUNNER 7345.00 345KV CKT 1
FDNS	06ALL	3	20SP	ASGI_14_008	TO->FROM	IMC_#1_TP 3115.00 - INTREPDW_TP3115.00 115KV CKT 1	159	160	0.03795	118.1718	RDRUNNER 7345.00 (UPDATE LATER) 345/115/13.2KV TRANSFORMER CKT 1
FDNS	06ALL	3	20WP	ASGI_14_008	TO->FROM	IMC_#1_TP 3115.00 - INTREPDW_TP3115.00 115KV CKT 1	159	160	0.03786	117.212	RDRUNNER 7345.00 (UPDATE LATER) 345/115/13.2KV TRANSFORMER CKT 1
FDNS	06ALL	3	20WP	ASGI_14_008	TO->FROM	IMC_#1_TP 3115.00 - INTREPDW_TP3115.00 115KV CKT 1	159	160	0.03786	117.2052	KIOWA 7345.00 - RDRUNNER 7345.00 345KV CKT 1
FDNS	06ALL	3	25SP	ASGI_14_008	TO->FROM	IMC_#1_TP 3115.00 - INTREPDW_TP3115.00 115KV CKT 1	159	160	0.03513	101.5402	ANDREWS 3115.00 - National Enrichment Plant Sub 115KV CKT 1
FDNS	06ALL	3	25SP	ASGI_14_008	TO->FROM	IMC_#1_TP 3115.00 - INTREPDW_TP3115.00 115KV CKT 1	159	160	0.03513	101.5382	ANDREWS 6230.00 - G14_012T 230.00 230KV CKT 1
FDNS	06ALL	3	25SP	ASGI_14_008	TO->FROM	IMC_#1_TP 3115.00 - INTREPDW_TP3115.00 115KV CKT 1	159	160	0.03513	101.535	ANDRWSXFMR12
FDNS	06ALL	3	25SP	ASGI_14_008	FROM->TO	IMC_#1_TP 3115.00 - LIVSTNRIDGE3115.00 115KV CKT 1	159	160	0.03795	127.4397	KIOWA 7345.00 - RDRUNNER 7345.00 345KV CKT 1
FDNS	06ALL	3	25SP	ASGI_14_008	FROM->TO	IMC_#1_TP 3115.00 - LIVSTNRIDGE3115.00 115KV CKT 1	159	160	0.03795	127.3849	RDRUNNER 7345.00 (UPDATE LATER) 345/115/13.2KV TRANSFORMER CKT 1
FDNS	06ALL	3	20SP	ASGI_14_008	FROM->TO	IMC_#1_TP 3115.00 - LIVSTNRIDGE3115.00 115KV CKT 1	159	160	0.03795	108.3389	KIOWA 7345.00 - RDRUNNER 7345.00 345KV CKT 1
FDNS	06ALL	3	20SP	ASGI_14_008	FROM->TO	IMC_#1_TP 3115.00 - LIVSTNRIDGE3115.00 115KV CKT 1	159	160	0.03795	108.2854	RDRUNNER 7345.00 (UPDATE LATER) 345/115/13.2KV TRANSFORMER CKT 1
FDNS	06ALL	3	20WP	ASGI_14_008	FROM->TO	IMC_#1_TP 3115.00 - LIVSTNRIDGE3115.00 115KV CKT 1	165	177	0.03786	96.7	KIOWA 7345.00 - RDRUNNER 7345.00 345KV CKT 1
FDNS	06ALL	3	20WP	ASGI_14_008	FROM->TO	IMC_#1_TP 3115.00 - LIVSTNRIDGE3115.00 115KV CKT 1	165	177	0.03786	96.7	RDRUNNER 7345.00 (UPDATE LATER) 345/115/13.2KV TRANSFORMER CKT 1
FDNS	06ALL	3	25SP	ASGI_14_008	TO->FROM	INTREPDW_TP3115.00 - POTASH JUNCTION INTERCHANGE 115KV CKT 1	159	160	0.03795	150.2874	KIOWA 7345.00 - RDRUNNER 7345.00 345KV CKT 1
FDNS	06ALL	3	25SP	ASGI_14_008	TO->FROM	INTREPDW_TP3115.00 - POTASH JUNCTION INTERCHANGE 115KV CKT 1	159	160	0.03795	150.2201	RDRUNNER 7345.00 (UPDATE LATER) 345/115/13.2KV TRANSFORMER CKT 1
FDNS	06ALL	3	20SP	ASGI_14_008	TO->FROM	INTREPDW_TP3115.00 - POTASH JUNCTION INTERCHANGE 115KV CKT 1	159	160	0.03795	132.7386	KIOWA 7345.00 - RDRUNNER 7345.00 345KV CKT 1
FDNS	06ALL	3	20SP	ASGI_14_008	TO->FROM	INTREPDW_TP3115.00 - POTASH JUNCTION INTERCHANGE 115KV CKT 1	159	160	0.03795	132.6902	RDRUNNER 7345.00 (UPDATE LATER) 345/115/13.2KV TRANSFORMER CKT 1
FDNS	06ALL	3	20WP	ASGI_14_008	TO->FROM	INTREPDW_TP3115.00 - POTASH JUNCTION INTERCHANGE 115KV CKT 1	165	177	0.03786	117.8066	KIOWA 7345.00 - RDRUNNER 7345.00 345KV CKT 1
FDNS	06ALL	3	20WP	ASGI_14_008	TO->FROM	INTREPDW_TP3115.00 - POTASH JUNCTION INTERCHANGE 115KV CKT 1	165	177	0.03786	117.7968	RDRUNNER 7345.00 (UPDATE LATER) 345/115/13.2KV TRANSFORMER CKT 1
FDNS	06ALL	3	25SP	ASGI_14_008	TO->FROM	INTREPDW_TP3115.00 - POTASH JUNCTION INTERCHANGE 115KV CKT 1	159	160	0.03513	114.4902	ANDREWS 3115.00 - National Enrichment Plant Sub 115KV CKT 1
FDNS	06ALL	3	25SP	ASGI_14_008	TO->FROM	INTREPDW_TP3115.00 - POTASH JUNCTION INTERCHANGE 115KV CKT 1	159	160	0.03513	114.4869	ANDREWS 6230.00 - G14_012T 230.00 230KV CKT 1
FDNS	06ALL	3	25SP	ASGI_14_008	TO->FROM	INTREPDW_TP3115.00 - POTASH JUNCTION INTERCHANGE 115KV CKT 1	159	160	0.03513	114.4845	ANDRWSXFMR12
FDNS	06ALL	3	25SP	ASGI_14_008	TO->FROM	INTREPDW_TP3115.00 - POTASH JUNCTION INTERCHANGE 115KV CKT 1	159	160	0.03586	102.5681	BYRD SUB - MONUMENT TAP 115KV CKT 1
FDNS	06ALL	3	25SP	ASGI_14_008	TO->FROM	INTREPDW_TP3115.00 - POTASH JUNCTION INTERCHANGE 115KV CKT 1	159	160	0.03586	102.563	CUNNINGHAM STATION - MONUMENT TAP 115KV CKT 1
FDNS	06ALL	3	25SP	ASGI_14_008	TO->FROM	INTREPDW_TP3115.00 - POTASH JUNCTION INTERCHANGE 115KV CKT 1	159	160	0.03949	101.7121	CHINA_DRAW 3115.00 - WOOD_DRAW 3115.00 115KV CKT 1
FDNS	06ALL	3	25SP	ASGI_14_008	TO->FROM	INTREPDW_TP3115.00 - POTASH JUNCTION INTERCHANGE 115KV CKT 1	159	160	0.03586	101.4729	COOPER RANCH SUB - OIL_CENTER 3115.00 115KV CKT 1
FDNS	06ALL	3	25SP	ASGI_14_008	TO->FROM	INTREPDW_TP3115.00 - POTASH JUNCTION INTERCHANGE 115KV CKT 1	159	160	0.03654	101.3488	CHINA_DRAW 7345.00 (UPDATE LATER) 345/115/13.2KV TRANSFORMER CKT 1
FDNS	06ALL	3	25SP	ASGI_14_008	TO->FROM	INTREPDW_TP3115.00 - POTASH JUNCTION INTERCHANGE 115KV CKT 1	159	160	0.03586	101.3369	LEA ROAD SUB - OIL_CENTER 3115.00 115KV CKT 1
FDNS	06ALL	3	25SP	ASGI_14_008	TO->FROM	INTREPDW_TP3115.00 - POTASH JUNCTION INTERCHANGE 115KV CKT 1	159	160	0.03654	101.3365	CHINA_DRAW 7345.00 - NLOV_PLT 7345.00 345KV CKT 1

SOLUTION	GROUP	SCENARIO	SEASON	SOURCE	DIRECTION	MONITORED ELEMENT	RATEA (MVA)	RATEB (MVA)	TDF	TC%LOADING (% MVA)	CONTINGENCY
FDNS	06ALL	3	25SP	ASGI_14_008	TO->FROM	INTREPDW_TP3115.00 - POTASH JUNCTION INTERCHANGE 115KV CKT 1	159	160	0.03586	100.6866	BYRD SUB - COOPER RANCH SUB 115KV CKT 1
FDNS	06ALL	3	20SP	ASGI_14_008	TO->FROM	INTREPDW_TP3115.00 - POTASH JUNCTION INTERCHANGE 115KV CKT 1	159	160	0.03512	100	ANDREWS 3115.00 - National Enrichment Plant Sub 115KV CKT 1
FDNS	06ALL	3	20SP	ASGI_14_008	TO->FROM	INTREPDW_TP3115.00 - POTASH JUNCTION INTERCHANGE 115KV CKT 1	159	160	0.03512	100	ANDREWS 6230.00 - G14_012T 230.00 230KV CKT 1
FDNS	06ALL	3	20SP	ASGI_14_008	TO->FROM	INTREPDW_TP3115.00 - POTASH JUNCTION INTERCHANGE 115KV CKT 1	159	160	0.03512	100	ANDRWSXFMR12
FDNS	06ALL	3	20SP	ASGI_14_008	TO->FROM	INTREPDW_TP3115.00 - POTASH JUNCTION INTERCHANGE 115KV CKT 1	159	160	0.03512	99.9	G14_012T 230.00 - HOBBS INTERCHANGE 230KV CKT 1
FDNS	06ALL	3	25SP	ASGI_14_008	TO->FROM	INTREPDW_TP3115.00 - POTASH JUNCTION INTERCHANGE 115KV CKT 1	159	160	0.03586	99.5	LEA ROAD SUB - WARD SUB 115KV CKT 1
FDNS	06ALL	3	25SP	ASGI_14_008	TO->FROM	INTREPDW_TP3115.00 - POTASH JUNCTION INTERCHANGE 115KV CKT 1	159	160	0.03586	99.2	WARD SUB - WHITTEN SUB 115KV CKT 1
FDNS	06ALL	3	25SP	ASGI_14_008	TO->FROM	INTREPDW_TP3115.00 - POTASH JUNCTION INTERCHANGE 115KV CKT 1	159	160	0.03586	99	SPP-SWPS-T39
FDNS	06ALL	3	25SP	ASGI_14_008	TO->FROM	INTREPDW_TP3115.00 - POTASH JUNCTION INTERCHANGE 115KV CKT 1	159	160	0.03612	97.8	PNDEROSATP 3115.00 - WHITTEN SUB 115KV CKT 1
FDNS	06ALL	3	25SP	ASGI_14_008	TO->FROM	INTREPDW_TP3115.00 - POTASH JUNCTION INTERCHANGE 115KV CKT 1	159	160	0.03612	96	OCHOA SUB - PNDEROSATP 3115.00 115KV CKT 1
FDNS	06ALL	3	25SP	ASGI_14_008	TO->FROM	INTREPDW_TP3115.00 - POTASH JUNCTION INTERCHANGE 115KV CKT 1	159	160	0.03789	95.8	GEN562495 1-G14_012_2 18.000
FDNS	06ALL	3	25SP	ASGI_14_008	TO->FROM	INTREPDW_TP3115.00 - POTASH JUNCTION INTERCHANGE 115KV CKT 1	159	160	0.03748	95.66859	ANDREWS 6230.00 (FROM BORDEN) 230/115/13.2KV TRANSFORMER CKT 2
FDNS	06ALL	3	25SP	ASGI_14_008	TO->FROM	INTREPDW_TP3115.00 - POTASH JUNCTION INTERCHANGE 115KV CKT 1	159	160	0.03748	95.64052	ANDREWS 6230.00 (FROM MIDLAND) 230/115/13.2KV TRANSFORMER CKT 1
FDNS	06ALL	3	15WP	ASGI_14_008	TO->FROM	PLANT X STATION - TOLK STATION EAST 230KV CKT 2	557	557	0.30358	99.6	PLANT X STATION - TOLK STATION WEST 230KV CKT 1
FDNS	06ALL	3	20SP	ASGI_14_008	TO->FROM	PLANT X STATION - TOLK STATION EAST 230KV CKT 2	478	502	0.22089	96.2	PLANT X STATION - TOLK STATION WEST 230KV CKT 1
FDNS	06ALL	3	20SP	ASGI_14_008	TO->FROM	PLANT X STATION - TOLK STATION WEST 230KV CKT 1	478	502	0.22301	97	PLANT X STATION - TOLK STATION EAST 230KV CKT 2
FDNS	06ALL	3	15SP	ASGI_14_008	FROM->TO	PLANT X STATION (WH ALM20171) 230/115/13.2KV TRANSFORMER CKT 1	252	252	0.10098	106.8107	NEWHART 230 - PLANT X STATION 230KV CKT 1
FDNS	06ALL	3	15SP	ASGI_14_008	FROM->TO	PLANT X STATION (WH ALM20171) 230/115/13.2KV TRANSFORMER CKT 1	252	252	0.06292	104.6633	LAMB COUNTY INTERCHANGE - TOLK STATION WEST 230KV CKT 1
FDNS	06ALL	3	15SP	ASGI_14_008	FROM->TO	PLANT X STATION (WH ALM20171) 230/115/13.2KV TRANSFORMER CKT 1	252	252	0.06292	104.6607	LAMB COUNTY INTERCHANGE (WH ALM20172) 230/115/13.2KV TRANSFORMER CKT 1
FDNS	06ALL	3	15SP	ASGI_14_008	FROM->TO	PLANT X STATION (WH ALM20171) 230/115/13.2KV TRANSFORMER CKT 1	252	252	0.06292	104.6607	SPP-SWPS-K37
FDNS	06ALL	3	15SP	ASGI_14_008	FROM->TO	PLANT X STATION (WH ALM20171) 230/115/13.2KV TRANSFORMER CKT 1	252	252	0.10098	104.1177	NEWHART 230 - PLANT X STATION 230KV CKT 1
FDNS	06ALL	3	15SP	ASGI_14_008	FROM->TO	PLANT X STATION (WH ALM20171) 230/115/13.2KV TRANSFORMER CKT 1	252	252	0.08644	102.2408	DEAF SMITH COUNTY INTERCHANGE - PLANT X STATION 230KV CKT 1
FDNS	06ALL	3	15SP	ASGI_14_008	FROM->TO	PLANT X STATION (WH ALM20171) 230/115/13.2KV TRANSFORMER CKT 1	252	252	0.06292	102.2229	LAMB COUNTY INTERCHANGE - TOLK STATION WEST 230KV CKT 1
FDNS	06ALL	3	15SP	ASGI_14_008	FROM->TO	PLANT X STATION (WH ALM20171) 230/115/13.2KV TRANSFORMER CKT 1	252	252	0.06292	102.2204	LAMB COUNTY INTERCHANGE (WH ALM20172) 230/115/13.2KV TRANSFORMER CKT 1
FDNS	06ALL	3	15SP	ASGI_14_008	FROM->TO	PLANT X STATION (WH ALM20171) 230/115/13.2KV TRANSFORMER CKT 1	252	252	0.06292	102.2204	SPP-SWPS-K37
FDNS	06ALL	3	15SP	ASGI_14_008	FROM->TO	PLANT X STATION (WH ALM20171) 230/115/13.2KV TRANSFORMER CKT 1	252	252	0.08644	99.5	DEAF SMITH COUNTY INTERCHANGE - PLANT X STATION 230KV CKT 1
FDNS	06ALL	3	15SP	ASGI_14_008	FROM->TO	PLANT X STATION (WH ALM20171) 230/115/13.2KV TRANSFORMER CKT 1	252	252	0.05829	95.4	GEN525493 1-PLANT X GEN #3
FDNS	06ALL	4	15G	ASGI_14_008	FROM->TO	CLEARWATER - GILL ENERGY CENTER WEST 138KV CKT 1	143	143	0.03291	100.3353	DBL-THIS-WIC
FDNS	06ALL	4	15G	ASGI_14_008	TO->FROM	CLEARWATER - MILAN TAP 138KV CKT 1	110	110	0.03291	139.9081	DBL-THIS-WIC
FDNS	06ALL	4	20WP	ASGI_14_008	TO->FROM	CLEARWATER - MILAN TAP 138KV CKT 1	110	110	0.03279	108.5249	DBL-THIS-WIC
FDNS	06ALL	4	15WP	ASGI_14_008	TO->FROM	CLEARWATER - MILAN TAP 138KV CKT 1	110	110	0.03314	106.1126	DBL-THIS-WIC
FDNS	06ALL	4	15SP	ASGI_14_008	TO->FROM	CLEARWATER - MILAN TAP 138KV CKT 1	110	110	0.03312	99.9	DBL-THIS-WIC
FDNS	06ALL	4	15SP	ASGI_14_008	FROM->TO	CURRY COUNTY INTERCHANGE - DEAF SMITH REC-#20 115KV CKT 1	96	96	0.06433	120.7303	DEAF SMITH COUNTY INTERCHANGE - PLANT X STATION 230KV CKT 1
FDNS	06ALL	4	20SP	ASGI_14_008	FROM->TO	CURRY COUNTY INTERCHANGE - DEAF SMITH REC-#20 115KV CKT 1	96	96	0.04822	104.6276	DEAF SMITH COUNTY INTERCHANGE - PLANT X STATION 230KV CKT 1
FDNS	06ALL	4	15SP	ASGI_14_008	FROM->TO	CURRY COUNTY INTERCHANGE - DEAF SMITH REC-#20 115KV CKT 1	96	96	0.04808	103.3913	LAWTON EASTSIDE - OKLAUNION 345KV CKT 1
FDNS	06ALL	4	15SP	ASGI_14_008	TO->FROM	DEAF SMITH COUNTY INTERCHANGE - PLANT X STATION 230KV CKT 1	319	351	0.18614	109.4404	LAWTON EASTSIDE - OKLAUNION 345KV CKT 1
FDNS	06ALL	4	15SP	ASGI_14_008	TO->FROM	DEAF SMITH COUNTY INTERCHANGE - PLANT X STATION 230KV CKT 1	319	351	0.20138	96.9	NEWHART 230 - PLANT X STATION 230KV CKT 1
FDNS	06ALL	4	15SP	ASGI_14_008	TO->FROM	DEAF SMITH COUNTY INTERCHANGE - PLANT X STATION 230KV CKT 1	319	351	0.18728	96.2	SPP-SWPS-01
FDNS	06ALL	4	15SP	ASGI_14_008	TO->FROM	DEAF SMITH COUNTY INTERCHANGE - PLANT X STATION 230KV CKT 1	319	351	0.18614	96	SPSCONT-01
FDNS	06ALL	4	15SP	ASGI_14_008	TO->FROM	DEAF SMITH COUNTY INTERCHANGE - PLANT X STATION 230KV CKT 1	319	351	0.18614	95.8	OKLAUNION - TUCO INTERCHANGE 345KV CKT 1
FDNS	06ALL	4	15SP	ASGI_14_008	FROM->TO	DEAF SMITH REC-#20 - PARMER COUNTY SUB 115KV CKT 1	96	96	0.06433	107.5483	DEAF SMITH COUNTY INTERCHANGE - PLANT X STATION 230KV CKT 1
FDNS	06ALL	4	15SP	ASGI_14_008	TO->FROM	DEAF SMITH REC-#24 - PARMER COUNTY SUB 115KV CKT 1	96	96	0.06433	99.8	DEAF SMITH COUNTY INTERCHANGE - PLANT X STATION 230KV CKT 1
FDNS	06ALL	4	15G	ASGI_14_008	FROM->TO	ELK CITY 230KV (ELKCTY-6) 230/138/13.8KV TRANSFORMER CKT 1	287	316	0.11289	106.8002	LAWTON EASTSIDE - OKLAUNION 345KV CKT 1
FDNS	06ALL	4	15G	ASGI_14_008	FROM->TO	ELK CITY 230KV (ELKCTY-6) 230/138/13.8KV TRANSFORMER CKT 1	287	316	0.11289	104.9708	LAWTON EASTSIDE - OKLAUNION 345KV CKT 1
FDNS	06ALL	4	15SP	ASGI_14_008	FROM->TO	ELK CITY 230KV (ELKCTY-6) 230/138/13.8KV TRANSFORMER CKT 1	272	316	0.12089	100.0245	LAWTON EASTSIDE - OKLAUNION 345KV CKT 1
FDNS	06ALL	4	15WP	ASGI_14_008	FROM->TO	ELK CITY 230KV (ELKCTY-6) 230/138/13.8KV TRANSFORMER CKT 1	287	316	0.12437	99.80477	LAWTON EASTSIDE - OKLAUNION 345KV CKT 1
FDNS	06ALL	4	15SP	ASGI_14_008	FROM->TO	ELK CITY 230KV (ELKCTY-6) 230/138/13.8KV TRANSFORMER CKT 1	272	316	0.12089	98.59045	LAWTON EASTSIDE - OKLAUNION 345KV CKT 1
FDNS	06ALL	4	15WP	ASGI_14_008	FROM->TO	ELK CITY 230KV (ELKCTY-6) 230/138/13.8KV TRANSFORMER CKT 1	287	316	0.12437	98.40416	LAWTON EASTSIDE - OKLAUNION 345KV CKT 1
FDNS	06ALL	4	15G	ASGI_14_008	FROM->TO	ELK CITY 230KV (ELKCTY-6) 230/138/13.8KV TRANSFORMER CKT 1	287	316	0.11289	97.5	SPSCONT-01
FDNS	06ALL	4	15G	ASGI_14_008	FROM->TO	ELK CITY 230KV (ELKCTY-6) 230/138/13.8KV TRANSFORMER CKT 1	287	316	0.11349	96.7	SPP-SWPS-01
FDNS-CHECK-TC-Iteration Limit Exceeded.	06ALL	4	15G	ASGI_14_008	FROM->TO	ELK CITY 230KV (ELKCTY-6) 230/138/13.8KV TRANSFORMER CKT 1	287	316	0.09794	96.7	DBL-G1114-WW
FDNS	06ALL	4	15G	ASGI_14_008	FROM->TO	ELK CITY 230KV (ELKCTY-6) 230/138/13.8KV TRANSFORMER CKT 1	287	316	0.11289	96.5	SPSCONT-01
FDNS	06ALL	4	15G	ASGI_14_008	FROM->TO	ELK CITY 230KV (ELKCTY-6) 230/138/13.8KV TRANSFORMER CKT 1	287	316	0.11289	96.4	OKLAUNION - TUCO INTERCHANGE 345KV CKT 1
FDNS	06ALL	4	15G	ASGI_14_008	FROM->TO	ELK CITY 230KV (ELKCTY-6) 230/138/13.8KV TRANSFORMER CKT 1	287	316	0.09794	95.6	DBL-BVR-G111
FDNS-CHECK-TC-Iteration Limit Exceeded.	06ALL	4	15G	ASGI_14_008	FROM->TO	ELK CITY 230KV (ELKCTY-6) 230/138/13.8KV TRANSFORMER CKT 1	287	316	0.09794	95.6	DBL-G1114-WW
FDNS	06ALL	4	15G	ASGI_14_008	FROM->TO	ELK CITY 230KV (ELKCTY-6) 230/138/13.8KV TRANSFORMER CKT 1	287	316	0.11349	95.5	SPP-SWPS-01
FDNS	06ALL	4	15G	ASGI_14_008	FROM->TO	ELK CITY 230KV (ELKCTY-6) 230/138/13.8KV TRANSFORMER CKT 1	287	316	0.11289	95.3	OKLAUNION - TUCO INTERCHANGE 345KV CKT 1
FDNS	06ALL	4	15SP	ASGI_14_008	TO->FROM	FLATRDRG3 - THISTLE4 138.00 138KV CKT 1	286	286	0.04778	98.1	DBL-THIS-WIC
FDNS	06ALL	4	15G	ASGI_14_008	TO->FROM	FPL SWITCH - WOODWARD 138KV CKT 1	133	153	0.04547	161.139	NORTHWEST - TATONGA7 345.00 345KV CKT 1
FDNS	06ALL	4	15G	ASGI_14_008	TO->FROM	FPL SWITCH - WOODWARD 138KV CKT 1	133	153	0.0536	159.4606	DBL-THIS-WWR
FDNS	06ALL	4	15G	ASGI_14_008	TO->FROM	FPL SWITCH - WOODWARD 138KV CKT 1	133	153	0.04547	157.7752	SPSCONT-05B
FDNS	06ALL	4	15G	ASGI_14_008	TO->FROM	FPL SWITCH - WOODWARD 138KV CKT 1	133	153	0.04547	157.1729	SPSCONT-04

SOLUTION	GROUP	SCENARIO	SEASON	SOURCE	DIRECTION	MONITORED ELEMENT	RATEA (MVA)	RATEB(MVA)	TC%LOADING TDF (% MVA)	CONTINGENCY	
FDNS	06ALL	4	15G	ASGI_14_008	TO->FROM	FPL SWITCH - WOODWARD 138KV CKT 1	133	153	0.04296	154.0712	DBL-THIS-WIC
FDNS	06ALL	4	15G	ASGI_14_008	TO->FROM	FPL SWITCH - WOODWARD 138KV CKT 1	133	153	0.04716	152.6468	LAWTON EASTSIDE - OKLAUNION 345KV CKT 1
FDNS	06ALL	4	15G	ASGI_14_008	TO->FROM	FPL SWITCH - WOODWARD 138KV CKT 1	133	153	0.04547	147.5252	G11_051T 345.00 - TATONGA7 345.00 345KV CKT 1
FDNS	06ALL	4	15G	ASGI_14_008	TO->FROM	FPL SWITCH - WOODWARD 138KV CKT 1	133	153	0.04547	146.2378	G11_051T 345.00 - WOODWARD DISTRICT EHV 345KV CKT 1
FDNS	06ALL	4	15G	ASGI_14_008	TO->FROM	FPL SWITCH - WOODWARD 138KV CKT 1	133	153	0.03188	143.417	WOODWARD (WOODWRD2) 138/69/13.2KV TRANSFORMER CKT 1
FDNS	06ALL	4	15G	ASGI_14_008	TO->FROM	FPL SWITCH - WOODWARD 138KV CKT 1	133	153	0.04547	143.0315	SPSCONT-05AX
FDNS	06ALL	4	15G	ASGI_14_008	TO->FROM	FPL SWITCH - WOODWARD 138KV CKT 1	133	153	0.04152	142.1867	ELK CITY 230KV - SWEETWATER 230KV CKT 1
FDNS	06ALL	4	15G	ASGI_14_008	TO->FROM	FPL SWITCH - WOODWARD 138KV CKT 1	133	153	0.04152	142.1522	ELK CITY 230KV (ELKCTY-6) 230/138/13.8KV TRANSFORMER CKT 1
FDNS	06ALL	4	15G	ASGI_14_008	TO->FROM	FPL SWITCH - WOODWARD 138KV CKT 1	133	153	0.04716	141.5408	SPSCONT-01
FDNS	06ALL	4	15G	ASGI_14_008	TO->FROM	FPL SWITCH - WOODWARD 138KV CKT 1	133	153	0.04174	139.7718	SPP-SWPS-03
FDNS	06ALL	4	15G	ASGI_14_008	TO->FROM	FPL SWITCH - WOODWARD 138KV CKT 1	133	153	0.04716	139.4068	OKLAUNION - TUCO INTERCHANGE 345KV CKT 1
FDNS	06ALL	4	15G	ASGI_14_008	TO->FROM	FPL SWITCH - WOODWARD 138KV CKT 1	133	153	0.04695	139.2189	SPP-SWPS-01
FDNS	06ALL	4	15G	ASGI_14_008	TO->FROM	FPL SWITCH - WOODWARD 138KV CKT 1	133	153	0.04152	138.5807	SPP-SWPS-02A
FDNS	06ALL	4	15G	ASGI_14_008	TO->FROM	FPL SWITCH - WOODWARD 138KV CKT 1	133	153	0.04152	138.419	GRAPEVINE INTERCHANGE - STATELINE INTERCHANGE 230KV CKT 1
FDNS	06ALL	4	15G	ASGI_14_008	TO->FROM	FPL SWITCH - WOODWARD 138KV CKT 1	133	153	0.03387	137.3554	IODINE - WOODWARD EHV 138KV CKT 1
FDNS	06ALL	4	15G	ASGI_14_008	TO->FROM	FPL SWITCH - WOODWARD 138KV CKT 1	133	153	0.03387	135.3142	DEWEY - IODINE 138KV CKT 1
FDNS	06ALL	4	15G	ASGI_14_008	TO->FROM	FPL SWITCH - WOODWARD 138KV CKT 1	133	153	0.04152	132.9488	STATELINE INTERCHANGE - STLN-DEMARC6 230KV CKT 1
FDNS	06ALL	4	15G	ASGI_14_008	TO->FROM	FPL SWITCH - WOODWARD 138KV CKT 1	133	153	0.04152	132.9455	SPP-SWPS-02
FDNS	06ALL	4	15G	ASGI_14_008	TO->FROM	FPL SWITCH - WOODWARD 138KV CKT 1	133	153	0.04152	132.9341	STLN-DEMARC6 - SWEETWATER 230KV CKT 1
FDNS	06ALL	4	15G	ASGI_14_008	TO->FROM	FPL SWITCH - WOODWARD 138KV CKT 1	133	153	0.03434	130.4008	GRAPEVINE INTERCHANGE - NICHOLS STATION 230KV CKT 1
FDNS	06ALL	4	15G	ASGI_14_008	TO->FROM	FPL SWITCH - WOODWARD 138KV CKT 1	133	153	0.03188	130.0269	WOODWARD - WOODWARD 69KV CKT 1
FDNS	06ALL	4	15G	ASGI_14_008	TO->FROM	FPL SWITCH - WOODWARD 138KV CKT 1	133	153	0.03464	126.1489	THISTLE7 345.00 - WOODWARD DISTRICT EHV 345KV CKT 1
FDNS	06ALL	4	15G	ASGI_14_008	TO->FROM	FPL SWITCH - WOODWARD 138KV CKT 1	133	153	0.03464	126.1489	THISTLE7 345.00 - WOODWARD DISTRICT EHV 345KV CKT 2
FDNS	06ALL	4	15G	ASGI_14_008	TO->FROM	FPL SWITCH - WOODWARD 138KV CKT 1	133	153	0.03411	124.4764	FINNEY SWITCHING STATION - HOLCOMB 345KV CKT 1
FDNS	06ALL	4	15G	ASGI_14_008	TO->FROM	FPL SWITCH - WOODWARD 138KV CKT 1	133	153	0.03172	124.1911	THISTLE7 345.00 - WICHITA 345KV CKT 1
FDNS	06ALL	4	15G	ASGI_14_008	TO->FROM	FPL SWITCH - WOODWARD 138KV CKT 1	133	153	0.03172	124.1911	THISTLE7 345.00 - WICHITA 345KV CKT 2
FDNS	06ALL	4	15G	ASGI_14_008	TO->FROM	FPL SWITCH - WOODWARD 138KV CKT 1	133	153	0.03411	123.2349	SPP-SWPS-05
FDNS	06ALL	4	15G	ASGI_14_008	TO->FROM	FPL SWITCH - WOODWARD 138KV CKT 1	133	153	0.03411	123.1767	FINNEY SWITCHING STATION - Hitchland Interchange 345KV CKT 1
FDNS	06ALL	4	15G	ASGI_14_008	TO->FROM	FPL SWITCH - WOODWARD 138KV CKT 1	133	153	0.03152	120.7359	ELLIS 4 138.00 - RED HILLS WIND 138KV CKT 1
FDNS	06ALL	4	15G	ASGI_14_008	TO->FROM	FPL SWITCH - WOODWARD 138KV CKT 1	133	153	0.03152	118.208	ELLIS 4 138.00 - MOREWOOD SW 138KV CKT 1
FDNS	06ALL	4	15SP	ASGI_14_008	TO->FROM	FPL SWITCH - WOODWARD 138KV CKT 1	133	153	0.05682	111.727	DBL-THIS-WWR
FDNS	06ALL	4	15G	ASGI_14_008	TO->FROM	FPL SWITCH - WOODWARD 138KV CKT 1	133	153	0.03152	106.2134	ELK CITY - RED HILLS WIND 138KV CKT 1
FDNS	06ALL	4	15SP	ASGI_14_008	TO->FROM	FPL SWITCH - WOODWARD 138KV CKT 1	133	153	0.0484	105.3474	NORTHWEST - TATONGA7 345.00 345KV CKT 1
FDNS	06ALL	4	15SP	ASGI_14_008	TO->FROM	FPL SWITCH - WOODWARD 138KV CKT 1	133	153	0.05012	104.7642	LAWTON EASTSIDE - OKLAUNION 345KV CKT 1
FDNS	06ALL	4	15SP	ASGI_14_008	TO->FROM	FPL SWITCH - WOODWARD 138KV CKT 1	133	153	0.0484	102.5806	SPSCONT-05B
FDNS	06ALL	4	15SP	ASGI_14_008	TO->FROM	FPL SWITCH - WOODWARD 138KV CKT 1	133	153	0.0484	101.4405	SPSCONT-04
FDNS	06ALL	4	15SP	ASGI_14_008	TO->FROM	FPL SWITCH - WOODWARD 138KV CKT 1	133	153	0.04587	100.7966	DBL-THIS-WIC
FDNS	06ALL	4	15SP	ASGI_14_008	TO->FROM	FPL SWITCH - WOODWARD 138KV CKT 1	133	153	0.03517	97.7	WOODWARD (WOODWRD2) 138/69/13.2KV TRANSFORMER CKT 1
FDNS	06ALL	4	20WP	ASGI_14_008	TO->FROM	FPL SWITCH - WOODWARD 138KV CKT 1	171	185	0.05106	96.7	NORTHWEST - TATONGA7 345.00 345KV CKT 1
FDNS	06ALL	4	20WP	ASGI_14_008	TO->FROM	FPL SWITCH - WOODWARD 138KV CKT 1	171	185	0.06053	96	DBL-THIS-WWR
FDNS	06ALL	4	15G	ASGI_14_008	TO->FROM	GRAPEVINE INTERCHANGE - NICHOLS STATION 230KV CKT 1	319	351	0.10141	104.2251	LAWTON EASTSIDE - OKLAUNION 345KV CKT 1
FDNS	06ALL	4	20WP	ASGI_14_008	TO->FROM	GRAPEVINE INTERCHANGE - NICHOLS STATION 230KV CKT 1	329	361	0.12917	102.6177	LAWTON EASTSIDE - OKLAUNION 345KV CKT 1
FDNS	06ALL	4	15SP	ASGI_14_008	TO->FROM	GRAPEVINE INTERCHANGE - NICHOLS STATION 230KV CKT 1	319	351	0.10291	99.55219	LAWTON EASTSIDE - OKLAUNION 345KV CKT 1
FDNS	06ALL	4	15G	ASGI_14_008	FROM->TO	GRAPEVINE INTERCHANGE - STATELINE INTERCHANGE 230KV CKT 1	319	351	0.11289	96.19302	LAWTON EASTSIDE - OKLAUNION 345KV CKT 1
FDNS	06ALL	4	15G	ASGI_14_008	FROM->TO	HARPER - MILAN TAP 138KV CKT 1	138	143	0.03291	116.387	DBL-THIS-WIC
FDNS	06ALL	4	15SP	ASGI_14_008	FROM->TO	HARPER - MILAN TAP 138KV CKT 1	127	136	0.03312	104.4151	DBL-THIS-WIC
FDNS	06ALL	4	15WP	ASGI_14_008	FROM->TO	HARPER - MILAN TAP 138KV CKT 1	143	143	0.03314	102.7046	DBL-THIS-WIC
FDNS	06ALL	4	25SP	ASGI_14_008	TO->FROM	IMC_#1_TP 3115.00 - INTREPDW_TP3115.00 115KV CKT 1	159	160	0.03795	137.5409	KIOWA 7345.00 - RDRUNNER 7345.00 345KV CKT 1
FDNS	06ALL	4	25SP	ASGI_14_008	TO->FROM	IMC_#1_TP 3115.00 - INTREPDW_TP3115.00 115KV CKT 1	159	160	0.03795	137.4969	RDRUNNER 7345.00 (UPDATE LATER) 345/115/13.2KV TRANSFORMER CKT 1
FDNS	06ALL	4	20SP	ASGI_14_008	TO->FROM	IMC_#1_TP 3115.00 - INTREPDW_TP3115.00 115KV CKT 1	159	160	0.03795	118.2032	KIOWA 7345.00 - RDRUNNER 7345.00 345KV CKT 1
FDNS	06ALL	4	20SP	ASGI_14_008	TO->FROM	IMC_#1_TP 3115.00 - INTREPDW_TP3115.00 115KV CKT 1	159	160	0.03795	118.1717	RDRUNNER 7345.00 (UPDATE LATER) 345/115/13.2KV TRANSFORMER CKT 1
FDNS	06ALL	4	20WP	ASGI_14_008	TO->FROM	IMC_#1_TP 3115.00 - INTREPDW_TP3115.00 115KV CKT 1	159	160	0.03786	117.212	RDRUNNER 7345.00 (UPDATE LATER) 345/115/13.2KV TRANSFORMER CKT 1
FDNS	06ALL	4	20WP	ASGI_14_008	TO->FROM	IMC_#1_TP 3115.00 - INTREPDW_TP3115.00 115KV CKT 1	159	160	0.03786	117.2052	KIOWA 7345.00 - RDRUNNER 7345.00 345KV CKT 1
FDNS	06ALL	4	25SP	ASGI_14_008	TO->FROM	IMC_#1_TP 3115.00 - INTREPDW_TP3115.00 115KV CKT 1	159	160	0.03513	101.5402	ANDREWS 3115.00 - National Enrichment Plant Sub 115KV CKT 1
FDNS	06ALL	4	25SP	ASGI_14_008	TO->FROM	IMC_#1_TP 3115.00 - INTREPDW_TP3115.00 115KV CKT 1	159	160	0.03513	101.5382	ANDREWS 6230.00 - G14_012T 230.00 230KV CKT 1
FDNS	06ALL	4	25SP	ASGI_14_008	TO->FROM	IMC_#1_TP 3115.00 - INTREPDW_TP3115.00 115KV CKT 1	159	160	0.03513	101.535	ANDRWSXFMR12
FDNS	06ALL	4	25SP	ASGI_14_008	FROM->TO	IMC_#1_TP 3115.00 - LIVSTNRIDGE3115.00 115KV CKT 1	159	160	0.03795	127.4397	KIOWA 7345.00 - RDRUNNER 7345.00 345KV CKT 1
FDNS	06ALL	4	25SP	ASGI_14_008	FROM->TO	IMC_#1_TP 3115.00 - LIVSTNRIDGE3115.00 115KV CKT 1	159	160	0.03795	127.3849	RDRUNNER 7345.00 (UPDATE LATER) 345/115/13.2KV TRANSFORMER CKT 1
FDNS	06ALL	4	20SP	ASGI_14_008	FROM->TO	IMC_#1_TP 3115.00 - LIVSTNRIDGE3115.00 115KV CKT 1	159	160	0.03795	108.3389	KIOWA 7345.00 - RDRUNNER 7345.00 345KV CKT 1
FDNS	06ALL	4	20SP	ASGI_14_008	FROM->TO	IMC_#1_TP 3115.00 - LIVSTNRIDGE3115.00 115KV CKT 1	159	160	0.03795	108.2854	RDRUNNER 7345.00 (UPDATE LATER) 345/115/13.2KV TRANSFORMER CKT 1
FDNS	06ALL	4	20WP	ASGI_14_008	FROM->TO	IMC_#1_TP 3115.00 - LIVSTNRIDGE3115.00 115KV CKT 1	165	177	0.03786	96.7	KIOWA 7345.00 - RDRUNNER 7345.00 345KV CKT 1
FDNS	06ALL	4	20WP	ASGI_14_008	FROM->TO	IMC_#1_TP 3115.00 - LIVSTNRIDGE3115.00 115KV CKT 1	165	177	0.03786	96.7	RDRUNNER 7345.00 (UPDATE LATER) 345/115/13.2KV TRANSFORMER CKT 1
FDNS	06ALL	4	25SP	ASGI_14_008	TO->FROM	INTREPDW_TP3115.00 - POTASH JUNCTION INTERCHANGE 115KV CKT 1	159	160	0.03795	150.2874	KIOWA 7345.00 - RDRUNNER 7345.00 345KV CKT 1
FDNS	06ALL	4	25SP	ASGI_14_008	TO->FROM	INTREPDW_TP3115.00 - POTASH JUNCTION INTERCHANGE 115KV CKT 1	159	160	0.03795	150.2201	RDRUNNER 7345.00 (UPDATE LATER) 345/115/13.2KV TRANSFORMER CKT 1
FDNS	06ALL	4	20SP	ASGI_14_008	TO->FROM	INTREPDW_TP3115.00 - POTASH JUNCTION INTERCHANGE 115KV CKT 1	159	160	0.03795	132.7386	KIOWA 7345.00 - RDRUNNER 7345.00 345KV CKT 1
FDNS	06ALL	4	20SP	ASGI_14_008	TO->FROM	INTREPDW_TP3115.00 - POTASH JUNCTION INTERCHANGE 115KV CKT 1	159	160	0.03795	132.6902	RDRUNNER 7345.00 (UPDATE LATER) 345/115/13.2KV TRANSFORMER CKT 1
FDNS	06ALL	4	20WP	ASGI_14_008	TO->FROM	INTREPDW_TP3115.00 - POTASH JUNCTION INTERCHANGE 115KV CKT 1	165	177	0.03786	117.8066	KIOWA 7345.00 - RDRUNNER 7345.00 345KV CKT 1
FDNS	06ALL	4	20WP	ASGI_14_008	TO->FROM	INTREPDW_TP3115.00 - POTASH JUNCTION INTERCHANGE 115KV CKT 1	165	177	0.03786	117.7968	RDRUNNER 7345.00 (UPDATE LATER) 345/115/13.2KV TRANSFORMER CKT 1
FDNS	06ALL	4	25SP	ASGI_14_008	TO->FROM	INTREPDW_TP3115.00 - POTASH JUNCTION INTERCHANGE 115KV CKT 1	159	160	0.03513	114.4902	ANDREWS 3115.00 - National Enrichment Plant Sub 115KV CKT 1
FDNS	06ALL	4	25SP	ASGI_14_008	TO->FROM	INTREPDW_TP3115.00 - POTASH JUNCTION INTERCHANGE 115KV CKT 1	159	160	0.03513	114.4869	ANDREWS 6230.00 - G14_012T 230.00 230KV CKT 1
FDNS	06ALL	4	25SP	ASGI_14_008	TO->FROM	INTREPDW_TP3115.00 - POTASH JUNCTION INTERCHANGE 115KV CKT 1	159	160	0.03513	114.4845	ANDRWSXFMR12
FDNS	06ALL	4	25SP	ASGI_14_008	TO->FROM	INTREPDW_TP3115.00 - POTASH JUNCTION INTERCHANGE 115KV CKT 1	159	160	0.03586	102.5681	BYRD SUB - MONUMENT TAP 115KV CKT 1

SOLUTION	GROUP	SCENARIO	SEASON	SOURCE	DIRECTION	MONITORED ELEMENT	RATEA (MVA)	RATEB (MVA)	TC%LOADING (% MVA)	CONTINGENCY	
FDNS	06ALL	4	25SP	ASGI_14_008	TO->FROM	INTREPDW_TP3115.00 - POTASH JUNCTION INTERCHANGE 115KV CKT 1	159	160	0.03586	102.563	CUNNINGHAM STATION - MONUMENT TAP 115KV CKT 1
FDNS	06ALL	4	25SP	ASGI_14_008	TO->FROM	INTREPDW_TP3115.00 - POTASH JUNCTION INTERCHANGE 115KV CKT 1	159	160	0.03949	101.7121	CHINA_DRAW 3115.00 - WOOD_DRAW 3115.00 115KV CKT 1
FDNS	06ALL	4	25SP	ASGI_14_008	TO->FROM	INTREPDW_TP3115.00 - POTASH JUNCTION INTERCHANGE 115KV CKT 1	159	160	0.03586	101.4729	COOPER RANCH SUB - OIL_CENTER 3115.00 115KV CKT 1
FDNS	06ALL	4	25SP	ASGI_14_008	TO->FROM	INTREPDW_TP3115.00 - POTASH JUNCTION INTERCHANGE 115KV CKT 1	159	160	0.03654	101.3488	CHINA_DRAW 7345.00 (UPDATE LATER) 345/115/13.2KV TRANSFORMER CKT 1
FDNS	06ALL	4	25SP	ASGI_14_008	TO->FROM	INTREPDW_TP3115.00 - POTASH JUNCTION INTERCHANGE 115KV CKT 1	159	160	0.03586	101.3369	LEA ROAD SUB - OIL_CENTER 3115.00 115KV CKT 1
FDNS	06ALL	4	25SP	ASGI_14_008	TO->FROM	INTREPDW_TP3115.00 - POTASH JUNCTION INTERCHANGE 115KV CKT 1	159	160	0.03654	101.3365	CHINA_DRAW 7345.00 - NLOV_PLT 7345.00 345KV CKT 1
FDNS	06ALL	4	25SP	ASGI_14_008	TO->FROM	INTREPDW_TP3115.00 - POTASH JUNCTION INTERCHANGE 115KV CKT 1	159	160	0.03586	100.6866	BYRD SUB - COOPER RANCH SUB 115KV CKT 1
FDNS	06ALL	4	20SP	ASGI_14_008	TO->FROM	INTREPDW_TP3115.00 - POTASH JUNCTION INTERCHANGE 115KV CKT 1	159	160	0.03512	100	ANDREWS 3115.00 - National Enrichment Plant Sub 115KV CKT 1
FDNS	06ALL	4	20SP	ASGI_14_008	TO->FROM	INTREPDW_TP3115.00 - POTASH JUNCTION INTERCHANGE 115KV CKT 1	159	160	0.03512	100	ANDREWS 6230.00 - G14_012T 230.00 230KV CKT 1
FDNS	06ALL	4	20SP	ASGI_14_008	TO->FROM	INTREPDW_TP3115.00 - POTASH JUNCTION INTERCHANGE 115KV CKT 1	159	160	0.03512	100	ANDRWSXFMR12
FDNS	06ALL	4	20SP	ASGI_14_008	TO->FROM	INTREPDW_TP3115.00 - POTASH JUNCTION INTERCHANGE 115KV CKT 1	159	160	0.03512	99.9	G14_012T 230.00 - HOBBS INTERCHANGE 230KV CKT 1
FDNS	06ALL	4	25SP	ASGI_14_008	TO->FROM	INTREPDW_TP3115.00 - POTASH JUNCTION INTERCHANGE 115KV CKT 1	159	160	0.03586	99.5	LEA ROAD SUB - WARD SUB 115KV CKT 1
FDNS	06ALL	4	25SP	ASGI_14_008	TO->FROM	INTREPDW_TP3115.00 - POTASH JUNCTION INTERCHANGE 115KV CKT 1	159	160	0.03586	99.2	WARD SUB - WHITTEN SUB 115KV CKT 1
FDNS	06ALL	4	25SP	ASGI_14_008	TO->FROM	INTREPDW_TP3115.00 - POTASH JUNCTION INTERCHANGE 115KV CKT 1	159	160	0.03586	99	SPP-SWPS-T39
FDNS	06ALL	4	25SP	ASGI_14_008	TO->FROM	INTREPDW_TP3115.00 - POTASH JUNCTION INTERCHANGE 115KV CKT 1	159	160	0.03612	97.8	PNDEROSATP 3115.00 - WHITTEN SUB 115KV CKT 1
FDNS	06ALL	4	25SP	ASGI_14_008	TO->FROM	INTREPDW_TP3115.00 - POTASH JUNCTION INTERCHANGE 115KV CKT 1	159	160	0.03612	96	OCHOA SUB - PNDEROSATP 3115.00 115KV CKT 1
FDNS	06ALL	4	25SP	ASGI_14_008	TO->FROM	INTREPDW_TP3115.00 - POTASH JUNCTION INTERCHANGE 115KV CKT 1	159	160	0.03789	95.8	GEN562495 1-G14_012_2 18.000
FDNS	06ALL	4	25SP	ASGI_14_008	TO->FROM	INTREPDW_TP3115.00 - POTASH JUNCTION INTERCHANGE 115KV CKT 1	159	160	0.03748	95.6686	ANDREWS 6230.00 (FROM BORDEN) 230/115/13.2KV TRANSFORMER CKT 2
FDNS	06ALL	4	25SP	ASGI_14_008	TO->FROM	INTREPDW_TP3115.00 - POTASH JUNCTION INTERCHANGE 115KV CKT 1	159	160	0.03748	95.64052	ANDREWS 6230.00 (FROM MIDLAND) 230/115/13.2KV TRANSFORMER CKT 1
FDNS	06ALL	4	15SP	ASGI_14_008	FROM->TO	PLANT X STATION (WH ALM20171) 230/115/13.2KV TRANSFORMER CKT 1	252	252	0.10098	106.8107	NEWHART 230 - PLANT X STATION 230KV CKT 1
FDNS	06ALL	4	15SP	ASGI_14_008	FROM->TO	PLANT X STATION (WH ALM20171) 230/115/13.2KV TRANSFORMER CKT 1	252	252	0.06292	104.6633	LAMB COUNTY INTERCHANGE - TOLK STATION WEST 230KV CKT 1
FDNS	06ALL	4	15SP	ASGI_14_008	FROM->TO	PLANT X STATION (WH ALM20171) 230/115/13.2KV TRANSFORMER CKT 1	252	252	0.06292	104.6607	LAMB COUNTY INTERCHANGE (WH ALM20172) 230/115/13.2KV TRANSFORMER CKT 1
FDNS	06ALL	4	15SP	ASGI_14_008	FROM->TO	PLANT X STATION (WH ALM20171) 230/115/13.2KV TRANSFORMER CKT 1	252	252	0.06292	104.6607	SPP-SWPS-K37
FDNS	06ALL	4	15SP	ASGI_14_008	FROM->TO	PLANT X STATION (WH ALM20171) 230/115/13.2KV TRANSFORMER CKT 1	252	252	0.10098	104.1177	NEWHART 230 - PLANT X STATION 230KV CKT 1
FDNS	06ALL	4	15SP	ASGI_14_008	FROM->TO	PLANT X STATION (WH ALM20171) 230/115/13.2KV TRANSFORMER CKT 1	252	252	0.08644	102.241	DEAF SMITH COUNTY INTERCHANGE - PLANT X STATION 230KV CKT 1
FDNS	06ALL	4	15SP	ASGI_14_008	FROM->TO	PLANT X STATION (WH ALM20171) 230/115/13.2KV TRANSFORMER CKT 1	252	252	0.06292	102.223	LAMB COUNTY INTERCHANGE - TOLK STATION WEST 230KV CKT 1
FDNS	06ALL	4	15SP	ASGI_14_008	FROM->TO	PLANT X STATION (WH ALM20171) 230/115/13.2KV TRANSFORMER CKT 1	252	252	0.06292	102.2204	LAMB COUNTY INTERCHANGE (WH ALM20172) 230/115/13.2KV TRANSFORMER CKT 1
FDNS	06ALL	4	15SP	ASGI_14_008	FROM->TO	PLANT X STATION (WH ALM20171) 230/115/13.2KV TRANSFORMER CKT 1	252	252	0.06292	102.2204	SPP-SWPS-K37
FDNS	06ALL	4	15SP	ASGI_14_008	FROM->TO	PLANT X STATION (WH ALM20171) 230/115/13.2KV TRANSFORMER CKT 1	252	252	0.08644	99.5	DEAF SMITH COUNTY INTERCHANGE - PLANT X STATION 230KV CKT 1
FDNS	06ALL	4	15SP	ASGI_14_008	FROM->TO	PLANT X STATION (WH ALM20171) 230/115/13.2KV TRANSFORMER CKT 1	252	252	0.05829	95.4	GEN525493 1-PLANT X GEN #3
FDNS	06ALL	0	15G	ASGI_14_009	FROM->TO	CLEARWATER - GILL ENERGY CENTER WEST 138KV CKT 1	143	143	0.03294	100.5453	DBL-THIS-WIC
FDNS	06ALL	0	15G	ASGI_14_009	TO->FROM	CLEARWATER - MILAN TAP 138KV CKT 1	110	110	0.03294	140.1877	DBL-THIS-WIC
FDNS	06ALL	0	20WP	ASGI_14_009	TO->FROM	CLEARWATER - MILAN TAP 138KV CKT 1	110	110	0.03269	108.6601	DBL-THIS-WIC
FDNS	06ALL	0	15WP	ASGI_14_009	TO->FROM	CLEARWATER - MILAN TAP 138KV CKT 1	110	110	0.03319	106.268	DBL-THIS-WIC
FDNS	06ALL	0	15SP	ASGI_14_009	TO->FROM	CLEARWATER - MILAN TAP 138KV CKT 1	110	110	0.03317	100.0707	DBL-THIS-WIC
FDNS	06ALL	0	15SP	ASGI_14_009	FROM->TO	CURRY COUNTY INTERCHANGE - DEAF SMITH REC-#20 115KV CKT 1	96	96	0.06162	123.5747	DEAF SMITH COUNTY INTERCHANGE - PLANT X STATION 230KV CKT 1
FDNS	06ALL	0	20SP	ASGI_14_009	FROM->TO	CURRY COUNTY INTERCHANGE - DEAF SMITH REC-#20 115KV CKT 1	96	96	0.04494	106.7874	DEAF SMITH COUNTY INTERCHANGE - PLANT X STATION 230KV CKT 1
FDNS	06ALL	0	15SP	ASGI_14_009	FROM->TO	CURRY COUNTY INTERCHANGE - DEAF SMITH REC-#20 115KV CKT 1	96	96	0.04528	105.8568	LAWTON EASTSIDE - OKLAUNION 345KV CKT 1
FDNS	06ALL	0	15SP	ASGI_14_009	FROM->TO	CURRY COUNTY INTERCHANGE - DEAF SMITH REC-#20 115KV CKT 1	96	96	0.04573	97.6	SPP-SWPS-01
FDNS	06ALL	0	15SP	ASGI_14_009	FROM->TO	CURRY COUNTY INTERCHANGE - DEAF SMITH REC-#20 115KV CKT 1	96	96	0.04528	97.3	SPSCONT-01
FDNS	06ALL	0	15SP	ASGI_14_009	FROM->TO	CURRY COUNTY INTERCHANGE - DEAF SMITH REC-#20 115KV CKT 1	96	96	0.04528	97.2	OKLAUNION - TUCO INTERCHANGE 345KV CKT 1
FDNS	06ALL	0	15SP	ASGI_14_009	FROM->TO	CURRY COUNTY INTERCHANGE - DEAF SMITH REC-#20 115KV CKT 1	96	96	0.04658	96.1	NEWHART 230 - PLANT X STATION 230KV CKT 1
FDNS	06ALL	0	25SP	ASGI_14_009	FROM->TO	CURRY COUNTY INTERCHANGE - DEAF SMITH REC-#20 115KV CKT 1	96	96	0.04536	95.6	DEAF SMITH COUNTY INTERCHANGE - PLANT X STATION 230KV CKT 1
FDNS	06ALL	0	15SP	ASGI_14_009	TO->FROM	DEAF SMITH COUNTY INTERCHANGE - PLANT X STATION 230KV CKT 1	319	351	0.1854	109.7585	LAWTON EASTSIDE - OKLAUNION 345KV CKT 1
FDNS	06ALL	0	15SP	ASGI_14_009	TO->FROM	DEAF SMITH COUNTY INTERCHANGE - PLANT X STATION 230KV CKT 1	319	351	0.19994	97.5	NEWHART 230 - PLANT X STATION 230KV CKT 1
FDNS	06ALL	0	15SP	ASGI_14_009	TO->FROM	DEAF SMITH COUNTY INTERCHANGE - PLANT X STATION 230KV CKT 1	319	351	0.18798	96.9	SPP-SWPS-01
FDNS	06ALL	0	15SP	ASGI_14_009	TO->FROM	DEAF SMITH COUNTY INTERCHANGE - PLANT X STATION 230KV CKT 1	319	351	0.1854	96.3	SPSCONT-01
FDNS	06ALL	0	15SP	ASGI_14_009	TO->FROM	DEAF SMITH COUNTY INTERCHANGE - PLANT X STATION 230KV CKT 1	319	351	0.1854	96.1	OKLAUNION - TUCO INTERCHANGE 345KV CKT 1
FDNS	06ALL	0	15SP	ASGI_14_009	FROM->TO	DEAF SMITH REC-#20 - PARMER COUNTY SUB 115KV CKT 1	96	96	0.06162	110.3575	DEAF SMITH COUNTY INTERCHANGE - PLANT X STATION 230KV CKT 1
FDNS	06ALL	0	15SP	ASGI_14_009	TO->FROM	DEAF SMITH REC-#24 - PARMER COUNTY SUB 115KV CKT 1	96	96	0.06162	102.2169	DEAF SMITH COUNTY INTERCHANGE - PLANT X STATION 230KV CKT 1
FDNS	06ALL	0	15G	ASGI_14_009	FROM->TO	ELK CITY 230KV (ELKCTY-6) 230/138/13.8KV TRANSFORMER CKT 1	287	316	0.1131	107.0627	LAWTON EASTSIDE - OKLAUNION 345KV CKT 1
FDNS	06ALL	0	15G	ASGI_14_009	FROM->TO	ELK CITY 230KV (ELKCTY-6) 230/138/13.8KV TRANSFORMER CKT 1	287	316	0.1131	105.2129	LAWTON EASTSIDE - OKLAUNION 345KV CKT 1
FDNS	06ALL	0	15SP	ASGI_14_009	FROM->TO	ELK CITY 230KV (ELKCTY-6) 230/138/13.8KV TRANSFORMER CKT 1	272	316	0.12118	100.158	LAWTON EASTSIDE - OKLAUNION 345KV CKT 1
FDNS	06ALL	0	15WP	ASGI_14_009	FROM->TO	ELK CITY 230KV (ELKCTY-6) 230/138/13.8KV TRANSFORMER CKT 1	287	316	0.12472	100.0101	LAWTON EASTSIDE - OKLAUNION 345KV CKT 1
FDNS	06ALL	0	15SP	ASGI_14_009	FROM->TO	ELK CITY 230KV (ELKCTY-6) 230/138/13.8KV TRANSFORMER CKT 1	272	316	0.12118	98.72061	LAWTON EASTSIDE - OKLAUNION 345KV CKT 1
FDNS	06ALL	0	15WP	ASGI_14_009	FROM->TO	ELK CITY 230KV (ELKCTY-6) 230/138/13.8KV TRANSFORMER CKT 1	287	316	0.12472	98.59541	LAWTON EASTSIDE - OKLAUNION 345KV CKT 1
FDNS	06ALL	0	15G	ASGI_14_009	FROM->TO	ELK CITY 230KV (ELKCTY-6) 230/138/13.8KV TRANSFORMER CKT 1	287	316	0.09957	98.1	DBL-G1114-WW
FDNS	06ALL	0	15G	ASGI_14_009	FROM->TO	ELK CITY 230KV (ELKCTY-6) 230/138/13.8KV TRANSFORMER CKT 1	287	316	0.1131	97.8	SPSCONT-01
FDNS	06ALL	0	15G	ASGI_14_009	FROM->TO	ELK CITY 230KV (ELKCTY-6) 230/138/13.8KV TRANSFORMER CKT 1	287	316	0.11485	97.7	SPP-SWPS-01
FDNS	06ALL	0	15G	ASGI_14_009	FROM->TO	ELK CITY 230KV (ELKCTY-6) 230/138/13.8KV TRANSFORMER CKT 1	287	316	0.09957	96.9	DBL-BVR-G111
FDNS	06ALL	0	15G	ASGI_14_009	FROM->TO	ELK CITY 230KV (ELKCTY-6) 230/138/13.8KV TRANSFORMER CKT 1	287	316	0.09957	96.8	DBL-G1114-WW
FDNS	06ALL	0	15G	ASGI_14_009	FROM->TO	ELK CITY 230KV (ELKCTY-6) 230/138/13.8KV TRANSFORMER CKT 1	287	316	0.1131	96.7	SPSCONT-01
FDNS	06ALL	0	15G	ASGI_14_009	FROM->TO	ELK CITY 230KV (ELKCTY-6) 230/138/13.8KV TRANSFORMER CKT 1	287	316	0.11485	96.6	SPP-SWPS-01
FDNS	06ALL	0	15G	ASGI_14_009	FROM->TO	ELK CITY 230KV (ELKCTY-6) 230/138/13.8KV TRANSFORMER CKT 1	287	316	0.1131	96.5	OKLAUNION - TUCO INTERCHANGE 345KV CKT 1
FDNS	06ALL	0	15G	ASGI_14_009	FROM->TO	ELK CITY 230KV (ELKCTY-6) 230/138/13.8KV TRANSFORMER CKT 1	287	316	0.09957	95.7	DBL-BVR-G111
FDNS	06ALL	0	15G	ASGI_14_009	FROM->TO	ELK CITY 230KV (ELKCTY-6) 230/138/13.8KV TRANSFORMER CKT 1	287	316	0.1131	95.3	OKLAUNION - TUCO INTERCHANGE 345KV CKT 1
FDNS	06ALL	0	15SP	ASGI_14_009	TO->FROM	FLATRDG3 - THISTLE4 138.00 138KV CKT 1	286	286	0.0478	98.2	DBL-THIS-WIC
FDNS	06ALL	0	15G	ASGI_14_009	TO->FROM	FPL SWITCH - WOODWARD 138KV CKT 1	133	153	0.04541	161.177	NORTHWEST - TATONGA7 345.00 345KV CKT 1
FDNS	06ALL	0	15G	ASGI_14_009	TO->FROM	FPL SWITCH - WOODWARD 138KV CKT 1	133	153	0.05347	159.4244	DBL-THIS-WWR
FDNS	06ALL	0	15G	ASGI_14_009	TO->FROM	FPL SWITCH - WOODWARD 138KV CKT 1	133	153	0.04541	157.7992	SPSCONT-05B
FDNS	06ALL	0	15G	ASGI_14_009	TO->FROM	FPL SWITCH - WOODWARD 138KV CKT 1	133	153	0.04541	157.271	SPSCONT-04
FDNS	06ALL	0	15G	ASGI_14_009	TO->FROM	FPL SWITCH - WOODWARD 138KV CKT 1	133	153	0.04289	154.1519	DBL-THIS-WIC

SOLUTION	GROUP	SCENARIO	SEASON	SOURCE	DIRECTION	MONITORED ELEMENT	RATEA (MVA)	RATEB(MVA)	TC%LOADING TDF (% MVA)	CONTINGENCY	
FDNS	06ALL	0	15G	ASGI_14_009	TO->FROM	FPL SWITCH - WOODWARD 138KV CKT 1	133	153	0.04699	152.6111	LAWTON EASTSIDE - OKLAUNION 345KV CKT 1
FDNSLock	06ALL	0	15G	ASGI_14_009	TO->FROM	FPL SWITCH - WOODWARD 138KV CKT 1	133	153	0.04541	147.3779	G11_051T 345.00 - TATONGA7 345.00 345KV CKT 1
FDNS	06ALL	0	15G	ASGI_14_009	TO->FROM	FPL SWITCH - WOODWARD 138KV CKT 1	133	153	0.04541	146.4061	G11_051T 345.00 - WOODWARD DISTRICT EHV 345KV CKT 1
FDNS	06ALL	0	15G	ASGI_14_009	TO->FROM	FPL SWITCH - WOODWARD 138KV CKT 1	133	153	0.03179	143.416	WOODWARD (WOODWRD2) 138/69/13.2KV TRANSFORMER CKT 1
FDNS	06ALL	0	15G	ASGI_14_009	TO->FROM	FPL SWITCH - WOODWARD 138KV CKT 1	133	153	0.04541	143.1258	SPSCONT-05AX
FDNS	06ALL	0	15G	ASGI_14_009	TO->FROM	FPL SWITCH - WOODWARD 138KV CKT 1	133	153	0.04162	142.5155	ELK CITY 230KV - SWEETWATER 230KV CKT 1
FDNS	06ALL	0	15G	ASGI_14_009	TO->FROM	FPL SWITCH - WOODWARD 138KV CKT 1	133	153	0.04162	142.4842	ELK CITY 230KV (ELKCTY-6) 230/138/13.8KV TRANSFORMER CKT 1
FDNS	06ALL	0	15G	ASGI_14_009	TO->FROM	FPL SWITCH - WOODWARD 138KV CKT 1	133	153	0.04699	141.4059	SPSCONT-01
FDNS	06ALL	0	15G	ASGI_14_009	TO->FROM	FPL SWITCH - WOODWARD 138KV CKT 1	133	153	0.04184	140.0428	SPP-SWPS-03
FDNS	06ALL	0	15G	ASGI_14_009	TO->FROM	FPL SWITCH - WOODWARD 138KV CKT 1	133	153	0.04699	139.1883	OKLAUNION - TUCO INTERCHANGE 345KV CKT 1
FDNS	06ALL	0	15G	ASGI_14_009	TO->FROM	FPL SWITCH - WOODWARD 138KV CKT 1	133	153	0.04162	138.8333	SPP-SWPS-02A
FDNS	06ALL	0	15G	ASGI_14_009	TO->FROM	FPL SWITCH - WOODWARD 138KV CKT 1	133	153	0.04162	138.6923	GRAPEVINE INTERCHANGE - STATELINE INTERCHANGE 230KV CKT 1
FDNS	06ALL	0	15G	ASGI_14_009	TO->FROM	FPL SWITCH - WOODWARD 138KV CKT 1	133	153	0.0464	138.6877	SPP-SWPS-01
FDNS	06ALL	0	15G	ASGI_14_009	TO->FROM	FPL SWITCH - WOODWARD 138KV CKT 1	133	153	0.03379	137.3732	IODINE - WOODWARD EHV 138KV CKT 1
FDNS	06ALL	0	15G	ASGI_14_009	TO->FROM	FPL SWITCH - WOODWARD 138KV CKT 1	133	153	0.03379	135.335	DEWEY - IODINE 138KV CKT 1
FDNS	06ALL	0	15G	ASGI_14_009	TO->FROM	FPL SWITCH - WOODWARD 138KV CKT 1	133	153	0.04162	133.3058	STATELINE INTERCHANGE - STLN-DEMARC6 230KV CKT 1
FDNS	06ALL	0	15G	ASGI_14_009	TO->FROM	FPL SWITCH - WOODWARD 138KV CKT 1	133	153	0.04162	133.0811	SPP-SWPS-02
FDNS	06ALL	0	15G	ASGI_14_009	TO->FROM	FPL SWITCH - WOODWARD 138KV CKT 1	133	153	0.04162	133.0154	STLN-DEMARC6 - SWEETWATER 230KV CKT 1
FDNS	06ALL	0	15G	ASGI_14_009	TO->FROM	FPL SWITCH - WOODWARD 138KV CKT 1	133	153	0.03434	130.54	GRAPEVINE INTERCHANGE - NICHOLS STATION 230KV CKT 1
FDNS	06ALL	0	15G	ASGI_14_009	TO->FROM	FPL SWITCH - WOODWARD 138KV CKT 1	133	153	0.03179	130.0405	WOODWARD - WOODWARD 69KV CKT 1
FDNS	06ALL	0	15G	ASGI_14_009	TO->FROM	FPL SWITCH - WOODWARD 138KV CKT 1	133	153	0.03455	126.126	THISTLE7 345.00 - WOODWARD DISTRICT EHV 345KV CKT 1
FDNS	06ALL	0	15G	ASGI_14_009	TO->FROM	FPL SWITCH - WOODWARD 138KV CKT 1	133	153	0.03455	126.126	THISTLE7 345.00 - WOODWARD DISTRICT EHV 345KV CKT 2
FDNS	06ALL	0	15G	ASGI_14_009	TO->FROM	FPL SWITCH - WOODWARD 138KV CKT 1	133	153	0.03406	124.5649	FINNEY SWITCHING STATION - HOLCOMB 345KV CKT 1
FDNS	06ALL	0	15G	ASGI_14_009	TO->FROM	FPL SWITCH - WOODWARD 138KV CKT 1	133	153	0.03164	124.1871	THISTLE7 345.00 - WICHITA 345KV CKT 1
FDNS	06ALL	0	15G	ASGI_14_009	TO->FROM	FPL SWITCH - WOODWARD 138KV CKT 1	133	153	0.03164	124.1871	THISTLE7 345.00 - WICHITA 345KV CKT 2
FDNS	06ALL	0	15G	ASGI_14_009	TO->FROM	FPL SWITCH - WOODWARD 138KV CKT 1	133	153	0.03406	123.3196	SPP-SWPS-05
FDNS	06ALL	0	15G	ASGI_14_009	TO->FROM	FPL SWITCH - WOODWARD 138KV CKT 1	133	153	0.03406	123.2614	FINNEY SWITCHING STATION - Hitchland Interchange 345KV CKT 1
FDNS	06ALL	0	15G	ASGI_14_009	TO->FROM	FPL SWITCH - WOODWARD 138KV CKT 1	133	153	0.03148	120.7972	ELLIS 4 138.00 - RED HILLS WIND 138KV CKT 1
FDNS	06ALL	0	15G	ASGI_14_009	TO->FROM	FPL SWITCH - WOODWARD 138KV CKT 1	133	153	0.03148	118.2357	ELLIS 4 138.00 - MOREWOOD SW 138KV CKT 1
FDNS	06ALL	0	15SP	ASGI_14_009	TO->FROM	FPL SWITCH - WOODWARD 138KV CKT 1	133	153	0.05671	111.3808	DBL-THIS-WWR
FDNSLock	06ALL	0	15G	ASGI_14_009	TO->FROM	FPL SWITCH - WOODWARD 138KV CKT 1	133	153	0.03148	105.8896	ELK CITY - RED HILLS WIND 138KV CKT 1
FDNS	06ALL	0	15SP	ASGI_14_009	TO->FROM	FPL SWITCH - WOODWARD 138KV CKT 1	133	153	0.04835	105.3952	NORTHWEST - TATONGA7 345.00 345KV CKT 1
FDNS	06ALL	0	15SP	ASGI_14_009	TO->FROM	FPL SWITCH - WOODWARD 138KV CKT 1	133	153	0.04997	104.8311	LAWTON EASTSIDE - OKLAUNION 345KV CKT 1
FDNS	06ALL	0	15SP	ASGI_14_009	TO->FROM	FPL SWITCH - WOODWARD 138KV CKT 1	133	153	0.04835	102.6277	SPSCONT-05B
FDNS	06ALL	0	15SP	ASGI_14_009	TO->FROM	FPL SWITCH - WOODWARD 138KV CKT 1	133	153	0.04835	101.4863	SPSCONT-04
FDNS	06ALL	0	15SP	ASGI_14_009	TO->FROM	FPL SWITCH - WOODWARD 138KV CKT 1	133	153	0.04581	100.8287	DBL-THIS-WIC
FDNS	06ALL	0	15SP	ASGI_14_009	TO->FROM	FPL SWITCH - WOODWARD 138KV CKT 1	133	153	0.03508	97.7	WOODWARD (WOODWRD2) 138/69/13.2KV TRANSFORMER CKT 1
FDNS	06ALL	0	20WP	ASGI_14_009	TO->FROM	FPL SWITCH - WOODWARD 138KV CKT 1	171	185	0.05093	96.8	NORTHWEST - TATONGA7 345.00 345KV CKT 1
FDNS	06ALL	0	20WP	ASGI_14_009	TO->FROM	FPL SWITCH - WOODWARD 138KV CKT 1	171	185	0.06042	96	DBL-THIS-WWR
FDNS	06ALL	0	15G	ASGI_14_009	TO->FROM	GRAPEVINE INTERCHANGE - NICHOLS STATION 230KV CKT 1	319	351	0.10161	104.4035	LAWTON EASTSIDE - OKLAUNION 345KV CKT 1
FDNS	06ALL	0	20WP	ASGI_14_009	TO->FROM	GRAPEVINE INTERCHANGE - NICHOLS STATION 230KV CKT 1	329	361	0.12829	102.8268	LAWTON EASTSIDE - OKLAUNION 345KV CKT 1
FDNS	06ALL	0	15SP	ASGI_14_009	TO->FROM	GRAPEVINE INTERCHANGE - NICHOLS STATION 230KV CKT 1	319	351	0.10316	99.65252	LAWTON EASTSIDE - OKLAUNION 345KV CKT 1
FDNS	06ALL	0	15G	ASGI_14_009	FROM->TO	GRAPEVINE INTERCHANGE - STATELINE INTERCHANGE 230KV CKT 1	319	351	0.1131	96.46441	LAWTON EASTSIDE - OKLAUNION 345KV CKT 1
FDNS	06ALL	0	15G	ASGI_14_009	FROM->TO	HARPER - MILAN TAP 138KV CKT 1	138	143	0.03294	116.5991	DBL-THIS-WIC
FDNS	06ALL	0	15SP	ASGI_14_009	FROM->TO	HARPER - MILAN TAP 138KV CKT 1	127	136	0.03317	104.5127	DBL-THIS-WIC
FDNS	06ALL	0	15WP	ASGI_14_009	FROM->TO	HARPER - MILAN TAP 138KV CKT 1	143	143	0.03319	102.8215	DBL-THIS-WIC
FDNS	06ALL	0	15WP	ASGI_14_009	TO->FROM	PLANT X STATION - TOLK STATION EAST 230KV CKT 2	557	557	0.28368	99.8	PLANT X STATION - TOLK STATION WEST 230KV CKT 1
FDNS	06ALL	0	20SP	ASGI_14_009	TO->FROM	PLANT X STATION - TOLK STATION EAST 230KV CKT 2	478	502	0.19237	96.1	PLANT X STATION - TOLK STATION WEST 230KV CKT 1
FDNS	06ALL	0	20SP	ASGI_14_009	TO->FROM	PLANT X STATION - TOLK STATION WEST 230KV CKT 1	478	502	0.19425	96.8	PLANT X STATION - TOLK STATION EAST 230KV CKT 2
FDNS	06ALL	0	15SP	ASGI_14_009	FROM->TO	PLANT X STATION (WH ALM20171) 230/115/13.2KV TRANSFORMER CKT 1	252	252	0.09658	106.868	NEWHART 230 - PLANT X STATION 230KV CKT 1
FDNS	06ALL	0	15SP	ASGI_14_009	FROM->TO	PLANT X STATION (WH ALM20171) 230/115/13.2KV TRANSFORMER CKT 1	252	252	0.05731	104.7391	SPP-SWPS-K37
FDNS	06ALL	0	15SP	ASGI_14_009	FROM->TO	PLANT X STATION (WH ALM20171) 230/115/13.2KV TRANSFORMER CKT 1	252	252	0.05731	104.739	LAMB COUNTY INTERCHANGE (WH ALM20172) 230/115/13.2KV TRANSFORMER CKT 1
FDNS	06ALL	0	15SP	ASGI_14_009	FROM->TO	PLANT X STATION (WH ALM20171) 230/115/13.2KV TRANSFORMER CKT 1	252	252	0.05731	104.7164	LAMB COUNTY INTERCHANGE - TOLK STATION WEST 230KV CKT 1
FDNS	06ALL	0	15SP	ASGI_14_009	FROM->TO	PLANT X STATION (WH ALM20171) 230/115/13.2KV TRANSFORMER CKT 1	252	252	0.09658	104.1846	NEWHART 230 - PLANT X STATION 230KV CKT 1
FDNS	06ALL	0	15SP	ASGI_14_009	FROM->TO	PLANT X STATION (WH ALM20171) 230/115/13.2KV TRANSFORMER CKT 1	252	252	0.08313	102.4562	DEAF SMITH COUNTY INTERCHANGE - PLANT X STATION 230KV CKT 1
FDNS	06ALL	0	15SP	ASGI_14_009	FROM->TO	PLANT X STATION (WH ALM20171) 230/115/13.2KV TRANSFORMER CKT 1	252	252	0.05731	102.3057	SPP-SWPS-K37
FDNS	06ALL	0	15SP	ASGI_14_009	FROM->TO	PLANT X STATION (WH ALM20171) 230/115/13.2KV TRANSFORMER CKT 1	252	252	0.05731	102.3056	LAMB COUNTY INTERCHANGE (WH ALM20172) 230/115/13.2KV TRANSFORMER CKT 1
FDNS	06ALL	0	15SP	ASGI_14_009	FROM->TO	PLANT X STATION (WH ALM20171) 230/115/13.2KV TRANSFORMER CKT 1	252	252	0.05731	102.2824	LAMB COUNTY INTERCHANGE - TOLK STATION WEST 230KV CKT 1
FDNS	06ALL	0	15SP	ASGI_14_009	FROM->TO	PLANT X STATION (WH ALM20171) 230/115/13.2KV TRANSFORMER CKT 1	252	252	0.08313	99.7	DEAF SMITH COUNTY INTERCHANGE - PLANT X STATION 230KV CKT 1
FDNS	06ALL	0	15SP	ASGI_14_009	FROM->TO	PLANT X STATION (WH ALM20171) 230/115/13.2KV TRANSFORMER CKT 1	252	252	0.055	95.5	GEN525493 1-PLANT X GEN #3
FDNS	06ALL	0	20WP	ASGI_14_009	FROM->TO	TUCO INTERCHANGE (GE M1022338) 345/230/13.2KV TRANSFORMER CKT 1	560	560	0.10862	106.7638	TUCO INTERCHANGE (SIEM 8743066) 345/230/13.2KV TRANSFORMER CKT 2
FDNS	06ALL	0	20WP	ASGI_14_009	FROM->TO	TUCO INTERCHANGE (GE M1022338) 345/230/13.2KV TRANSFORMER CKT 1	560	560	0.10862	104.8093	TUCO INTERCHANGE (SIEM 8743066) 345/230/13.2KV TRANSFORMER CKT 2
FDNS	06ALL	2	15G	ASGI_14_009	FROM->TO	CLEARWATER - GILL ENERGY CENTER WEST 138KV CKT 1	143	143	0.03282	100.3876	DBL-THIS-WIC
FDNS	06ALL	2	15G	ASGI_14_009	TO->FROM	CLEARWATER - MILAN TAP 138KV CKT 1	110	110	0.03282	139.9774	DBL-THIS-WIC
FDNS	06ALL	2	20WP	ASGI_14_009	TO->FROM	CLEARWATER - MILAN TAP 138KV CKT 1	110	110	0.03267	108.5614	DBL-THIS-WIC
FDNS	06ALL	2	15WP	ASGI_14_009	TO->FROM	CLEARWATER - MILAN TAP 138KV CKT 1	110	110	0.03308	106.1489	DBL-THIS-WIC
FDNS	06ALL	2	15SP	ASGI_14_009	TO->FROM	CLEARWATER - MILAN TAP 138KV CKT 1	110	110	0.03306	100	DBL-THIS-WIC
FDNS	06ALL	2	15SP	ASGI_14_009	FROM->TO	CURRY COUNTY INTERCHANGE - DEAF SMITH REC-#20 115KV CKT 1	96	96	0.06125	123.1635	DEAF SMITH COUNTY INTERCHANGE - PLANT X STATION 230KV CKT 1
FDNS	06ALL	2	20SP	ASGI_14_009	FROM->TO	CURRY COUNTY INTERCHANGE - DEAF SMITH REC-#20 115KV CKT 1	96	96	0.04492	106.7095	DEAF SMITH COUNTY INTERCHANGE - PLANT X STATION 230KV CKT 1
FDNS	06ALL	2	15SP	ASGI_14_009	FROM->TO	CURRY COUNTY INTERCHANGE - DEAF SMITH REC-#20 115KV CKT 1	96	96	0.04522	105.7855	LAWTON EASTSIDE - OKLAUNION 345KV CKT 1
FDNS	06ALL	2	15SP	ASGI_14_009	FROM->TO	CURRY COUNTY INTERCHANGE - DEAF SMITH REC-#20 115KV CKT 1	96	96	0.04543	97.4	SPP-SWPS-01
FDNS	06ALL	2	15SP	ASGI_14_009	FROM->TO	CURRY COUNTY INTERCHANGE - DEAF SMITH REC-#20 115KV CKT 1	96	96	0.04522	97.2	SPSCONT-01

SOLUTION	GROUP	SCENARIO	SEASON	SOURCE	DIRECTION	MONITORED ELEMENT	RATEA (MVA)	RATEB(MVA)	TC%LOADING TDF	(% MVA)	CONTINGENCY
FDNS	06ALL	2	15SP	ASGI_14_009	FROM->TO	CURRY COUNTY INTERCHANGE - DEAF SMITH REC-#20 115KV CKT 1	96	96	0.04522	97.1	OKLAUNION - TUCO INTERCHANGE 345KV CKT 1
FDNS	06ALL	2	15SP	ASGI_14_009	FROM->TO	CURRY COUNTY INTERCHANGE - DEAF SMITH REC-#20 115KV CKT 1	96	96	0.04643	95.9	NEWHART 230 - PLANT X STATION 230KV CKT 1
FDNS	06ALL	2	25SP	ASGI_14_009	FROM->TO	CURRY COUNTY INTERCHANGE - DEAF SMITH REC-#20 115KV CKT 1	96	96	0.04533	95.5	DEAF SMITH COUNTY INTERCHANGE - PLANT X STATION 230KV CKT 1
FDNS	06ALL	2	15SP	ASGI_14_009	TO->FROM	DEAF SMITH COUNTY INTERCHANGE - PLANT X STATION 230KV CKT 1	319	351	0.18493	109.6348	LAWTON EASTSIDE - OKLAUNION 345KV CKT 1
FDNS	06ALL	2	15SP	ASGI_14_009	TO->FROM	DEAF SMITH COUNTY INTERCHANGE - PLANT X STATION 230KV CKT 1	319	351	0.1989	97.1	NEWHART 230 - PLANT X STATION 230KV CKT 1
FDNS	06ALL	2	15SP	ASGI_14_009	TO->FROM	DEAF SMITH COUNTY INTERCHANGE - PLANT X STATION 230KV CKT 1	319	351	0.18608	96.4	SPP-SWPS-01
FDNS	06ALL	2	15SP	ASGI_14_009	TO->FROM	DEAF SMITH COUNTY INTERCHANGE - PLANT X STATION 230KV CKT 1	319	351	0.18493	96.1	SPSCONT-01
FDNS	06ALL	2	15SP	ASGI_14_009	TO->FROM	DEAF SMITH COUNTY INTERCHANGE - PLANT X STATION 230KV CKT 1	319	351	0.18493	96	OKLAUNION - TUCO INTERCHANGE 345KV CKT 1
FDNS	06ALL	2	15SP	ASGI_14_009	FROM->TO	DEAF SMITH REC-#20 - PARMER COUNTY SUB 115KV CKT 1	96	96	0.06125	109.9541	DEAF SMITH COUNTY INTERCHANGE - PLANT X STATION 230KV CKT 1
FDNS	06ALL	2	15SP	ASGI_14_009	TO->FROM	DEAF SMITH REC-#24 - PARMER COUNTY SUB 115KV CKT 1	96	96	0.06125	101.8097	DEAF SMITH COUNTY INTERCHANGE - PLANT X STATION 230KV CKT 1
FDNS	06ALL	2	15G	ASGI_14_009	FROM->TO	ELK CITY 230KV (ELKCTY-6) 230/138/13.8KV TRANSFORMER CKT 1	287	316	0.11249	106.8055	LAWTON EASTSIDE - OKLAUNION 345KV CKT 1
FDNS	06ALL	2	15G	ASGI_14_009	FROM->TO	ELK CITY 230KV (ELKCTY-6) 230/138/13.8KV TRANSFORMER CKT 1	287	316	0.11249	104.9756	LAWTON EASTSIDE - OKLAUNION 345KV CKT 1
FDNS	06ALL	2	15SP	ASGI_14_009	FROM->TO	ELK CITY 230KV (ELKCTY-6) 230/138/13.8KV TRANSFORMER CKT 1	272	316	0.12054	100.0284	LAWTON EASTSIDE - OKLAUNION 345KV CKT 1
FDNS	06ALL	2	15WP	ASGI_14_009	FROM->TO	ELK CITY 230KV (ELKCTY-6) 230/138/13.8KV TRANSFORMER CKT 1	287	316	0.12406	99.83074	LAWTON EASTSIDE - OKLAUNION 345KV CKT 1
FDNS	06ALL	2	15SP	ASGI_14_009	FROM->TO	ELK CITY 230KV (ELKCTY-6) 230/138/13.8KV TRANSFORMER CKT 1	272	316	0.12054	98.59394	LAWTON EASTSIDE - OKLAUNION 345KV CKT 1
FDNS	06ALL	2	15WP	ASGI_14_009	FROM->TO	ELK CITY 230KV (ELKCTY-6) 230/138/13.8KV TRANSFORMER CKT 1	287	316	0.12406	98.42802	LAWTON EASTSIDE - OKLAUNION 345KV CKT 1
FDNS	06ALL	2	15G	ASGI_14_009	FROM->TO	ELK CITY 230KV (ELKCTY-6) 230/138/13.8KV TRANSFORMER CKT 1	287	316	0.11249	97.6	SPSCONT-01
FDNS	06ALL	2	15G	ASGI_14_009	FROM->TO	ELK CITY 230KV (ELKCTY-6) 230/138/13.8KV TRANSFORMER CKT 1	287	316	0.09721	96.8	DBL-G1114-WW
FDNS	06ALL	2	15G	ASGI_14_009	FROM->TO	ELK CITY 230KV (ELKCTY-6) 230/138/13.8KV TRANSFORMER CKT 1	287	316	0.1131	96.7	SPP-SWPS-01
FDNS	06ALL	2	15G	ASGI_14_009	FROM->TO	ELK CITY 230KV (ELKCTY-6) 230/138/13.8KV TRANSFORMER CKT 1	287	316	0.11249	96.5	SPSCONT-01
FDNS	06ALL	2	15G	ASGI_14_009	FROM->TO	ELK CITY 230KV (ELKCTY-6) 230/138/13.8KV TRANSFORMER CKT 1	287	316	0.11249	96.2	OKLAUNION - TUCO INTERCHANGE 345KV CKT 1
FDNS	06ALL	2	15G	ASGI_14_009	FROM->TO	ELK CITY 230KV (ELKCTY-6) 230/138/13.8KV TRANSFORMER CKT 1	287	316	0.1131	95.7	SPP-SWPS-01
FDNS	06ALL	2	15G	ASGI_14_009	FROM->TO	ELK CITY 230KV (ELKCTY-6) 230/138/13.8KV TRANSFORMER CKT 1	287	316	0.09721	95.6	DBL-G1114-WW
FDNS	06ALL	2	15G	ASGI_14_009	FROM->TO	ELK CITY 230KV (ELKCTY-6) 230/138/13.8KV TRANSFORMER CKT 1	287	316	0.09721	95.5	DBL-BVR-G111
FDNS	06ALL	2	15G	ASGI_14_009	FROM->TO	ELK CITY 230KV (ELKCTY-6) 230/138/13.8KV TRANSFORMER CKT 1	287	316	0.11249	95.1	OKLAUNION - TUCO INTERCHANGE 345KV CKT 1
FDNS	06ALL	2	15SP	ASGI_14_009	TO->FROM	FLATRDG3 - THISTLE4 138.00 138KV CKT 1	286	286	0.04771	98.1	DBL-THIS-WIC
FDNS	06ALL	2	15G	ASGI_14_009	TO->FROM	FPL SWITCH - WOODWARD 138KV CKT 1	133	153	0.04539	161.0764	NORTHWEST - TATONGA7 345.00 345KV CKT 1
FDNS	06ALL	2	15G	ASGI_14_009	TO->FROM	FPL SWITCH - WOODWARD 138KV CKT 1	133	153	0.05353	159.4718	DBL-THIS-WWR
FDNS	06ALL	2	15G	ASGI_14_009	TO->FROM	FPL SWITCH - WOODWARD 138KV CKT 1	133	153	0.04539	157.784	SPSCONT-05B
FDNS	06ALL	2	15G	ASGI_14_009	TO->FROM	FPL SWITCH - WOODWARD 138KV CKT 1	133	153	0.04539	157.1004	SPSCONT-04
FDNS	06ALL	2	15G	ASGI_14_009	TO->FROM	FPL SWITCH - WOODWARD 138KV CKT 1	133	153	0.04289	154.0923	DBL-THIS-WIC
FDNS	06ALL	2	15G	ASGI_14_009	TO->FROM	FPL SWITCH - WOODWARD 138KV CKT 1	133	153	0.04719	152.7189	LAWTON EASTSIDE - OKLAUNION 345KV CKT 1
FDNS	06ALL	2	15G	ASGI_14_009	TO->FROM	FPL SWITCH - WOODWARD 138KV CKT 1	133	153	0.04539	147.5378	G11_051T 345.00 - TATONGA7 345.00 345KV CKT 1
FDNS	06ALL	2	15G	ASGI_14_009	TO->FROM	FPL SWITCH - WOODWARD 138KV CKT 1	133	153	0.04539	146.3224	G11_051T 345.00 - WOODWARD DISTRICT EHV 345KV CKT 1
FDNS	06ALL	2	15G	ASGI_14_009	TO->FROM	FPL SWITCH - WOODWARD 138KV CKT 1	133	153	0.03183	143.4813	WOODWARD (WOODWRD2) 138/69/13.2KV TRANSFORMER CKT 1
FDNS	06ALL	2	15G	ASGI_14_009	TO->FROM	FPL SWITCH - WOODWARD 138KV CKT 1	133	153	0.04539	143.1119	SPSCONT-05AX
FDNS	06ALL	2	15G	ASGI_14_009	TO->FROM	FPL SWITCH - WOODWARD 138KV CKT 1	133	153	0.04139	142.197	ELK CITY 230KV - SWEETWATER 230KV CKT 1
FDNS	06ALL	2	15G	ASGI_14_009	TO->FROM	FPL SWITCH - WOODWARD 138KV CKT 1	133	153	0.04139	142.1652	ELK CITY 230KV (ELKCTY-6) 230/138/13.8KV TRANSFORMER CKT 1
FDNS	06ALL	2	15G	ASGI_14_009	TO->FROM	FPL SWITCH - WOODWARD 138KV CKT 1	133	153	0.04719	141.5791	SPSCONT-01
FDNS	06ALL	2	15G	ASGI_14_009	TO->FROM	FPL SWITCH - WOODWARD 138KV CKT 1	133	153	0.04161	139.7583	SPP-SWPS-03
FDNS	06ALL	2	15G	ASGI_14_009	TO->FROM	FPL SWITCH - WOODWARD 138KV CKT 1	133	153	0.04719	139.3711	OKLAUNION - TUCO INTERCHANGE 345KV CKT 1
FDNS	06ALL	2	15G	ASGI_14_009	TO->FROM	FPL SWITCH - WOODWARD 138KV CKT 1	133	153	0.04699	139.1429	SPP-SWPS-01
FDNS	06ALL	2	15G	ASGI_14_009	TO->FROM	FPL SWITCH - WOODWARD 138KV CKT 1	133	153	0.04139	138.6541	SPP-SWPS-02A
FDNS	06ALL	2	15G	ASGI_14_009	TO->FROM	FPL SWITCH - WOODWARD 138KV CKT 1	133	153	0.04139	138.3635	GRAPEVINE INTERCHANGE - STATELINE INTERCHANGE 230KV CKT 1
FDNSLock	06ALL	2	15G	ASGI_14_009	TO->FROM	FPL SWITCH - WOODWARD 138KV CKT 1	133	153	0.03382	137.0502	IODINE - WOODWARD EHV 138KV CKT 1
FDNS	06ALL	2	15G	ASGI_14_009	TO->FROM	FPL SWITCH - WOODWARD 138KV CKT 1	133	153	0.03382	135.4149	DEWEY - IODINE 138KV CKT 1
FDNS	06ALL	2	15G	ASGI_14_009	TO->FROM	FPL SWITCH - WOODWARD 138KV CKT 1	133	153	0.04139	132.7991	STATELINE INTERCHANGE - STLN-DEMARC6 230KV CKT 1
FDNS	06ALL	2	15G	ASGI_14_009	TO->FROM	FPL SWITCH - WOODWARD 138KV CKT 1	133	153	0.04139	132.7953	SPP-SWPS-02
FDNS	06ALL	2	15G	ASGI_14_009	TO->FROM	FPL SWITCH - WOODWARD 138KV CKT 1	133	153	0.04139	132.7834	STLN-DEMARC6 - SWEETWATER 230KV CKT 1
FDNS	06ALL	2	15G	ASGI_14_009	TO->FROM	FPL SWITCH - WOODWARD 138KV CKT 1	133	153	0.03426	130.4683	GRAPEVINE INTERCHANGE - NICHOLS STATION 230KV CKT 1
FDNS	06ALL	2	15G	ASGI_14_009	TO->FROM	FPL SWITCH - WOODWARD 138KV CKT 1	133	153	0.03183	130.1106	WOODWARD - WOODWARD 69KV CKT 1
FDNS	06ALL	2	15G	ASGI_14_009	TO->FROM	FPL SWITCH - WOODWARD 138KV CKT 1	133	153	0.0346	126.1934	THISTLE7 345.00 - WOODWARD DISTRICT EHV 345KV CKT 1
FDNS	06ALL	2	15G	ASGI_14_009	TO->FROM	FPL SWITCH - WOODWARD 138KV CKT 1	133	153	0.0346	126.1934	THISTLE7 345.00 - WOODWARD DISTRICT EHV 345KV CKT 2
FDNS	06ALL	2	15G	ASGI_14_009	TO->FROM	FPL SWITCH - WOODWARD 138KV CKT 1	133	153	0.03405	124.5364	FINNEY SWITCHING STATION - HOLCOMB 345KV CKT 1
FDNS	06ALL	2	15G	ASGI_14_009	TO->FROM	FPL SWITCH - WOODWARD 138KV CKT 1	133	153	0.03167	124.2225	THISTLE7 345.00 - WICHITA 345KV CKT 1
FDNS	06ALL	2	15G	ASGI_14_009	TO->FROM	FPL SWITCH - WOODWARD 138KV CKT 1	133	153	0.03167	124.2225	THISTLE7 345.00 - WICHITA 345KV CKT 2
FDNS	06ALL	2	15G	ASGI_14_009	TO->FROM	FPL SWITCH - WOODWARD 138KV CKT 1	133	153	0.03405	123.294	SPP-SWPS-05
FDNS	06ALL	2	15G	ASGI_14_009	TO->FROM	FPL SWITCH - WOODWARD 138KV CKT 1	133	153	0.03405	123.2358	FINNEY SWITCHING STATION - Hitchland Interchange 345KV CKT 1
FDNS	06ALL	2	15G	ASGI_14_009	TO->FROM	FPL SWITCH - WOODWARD 138KV CKT 1	133	153	0.03146	120.7881	ELLIS 4 138.00 - RED HILLS WIND 138KV CKT 1
FDNS	06ALL	2	15G	ASGI_14_009	TO->FROM	FPL SWITCH - WOODWARD 138KV CKT 1	133	153	0.03146	118.2424	ELLIS 4 138.00 - MOREWOOD SW 138KV CKT 1
FDNS	06ALL	2	15SP	ASGI_14_009	TO->FROM	FPL SWITCH - WOODWARD 138KV CKT 1	133	153	0.05679	111.8037	DBL-THIS-WWR
FDNS	06ALL	2	15G	ASGI_14_009	TO->FROM	FPL SWITCH - WOODWARD 138KV CKT 1	133	153	0.03146	105.8822	ELK CITY - RED HILLS WIND 138KV CKT 1
FDNS	06ALL	2	15SP	ASGI_14_009	TO->FROM	FPL SWITCH - WOODWARD 138KV CKT 1	133	153	0.04834	105.4283	NORTHWEST - TATONGA7 345.00 345KV CKT 1
FDNS	06ALL	2	15SP	ASGI_14_009	TO->FROM	FPL SWITCH - WOODWARD 138KV CKT 1	133	153	0.05018	104.792	LAWTON EASTSIDE - OKLAUNION 345KV CKT 1
FDNS	06ALL	2	15SP	ASGI_14_009	TO->FROM	FPL SWITCH - WOODWARD 138KV CKT 1	133	153	0.04834	102.6609	SPSCONT-05B
FDNS	06ALL	2	15SP	ASGI_14_009	TO->FROM	FPL SWITCH - WOODWARD 138KV CKT 1	133	153	0.04834	101.5196	SPSCONT-04
FDNS	06ALL	2	15SP	ASGI_14_009	TO->FROM	FPL SWITCH - WOODWARD 138KV CKT 1	133	153	0.04583	100.868	DBL-THIS-WIC
FDNS	06ALL	2	15SP	ASGI_14_009	TO->FROM	FPL SWITCH - WOODWARD 138KV CKT 1	133	153	0.03514	97.8	WOODWARD (WOODWRD2) 138/69/13.2KV TRANSFORMER CKT 1
FDNS	06ALL	2	20WP	ASGI_14_009	TO->FROM	FPL SWITCH - WOODWARD 138KV CKT 1	171	185	0.05092	96.8	NORTHWEST - TATONGA7 345.00 345KV CKT 1
FDNS	06ALL	2	20WP	ASGI_14_009	TO->FROM	FPL SWITCH - WOODWARD 138KV CKT 1	171	185	0.06043	96.1	DBL-THIS-WWR
FDNS	06ALL	2	15G	ASGI_14_009	TO->FROM	GRAPEVINE INTERCHANGE - NICHOLS STATION 230KV CKT 1	319	351	0.10106	104.1544	LAWTON EASTSIDE - OKLAUNION 345KV CKT 1
FDNS	06ALL	2	20WP	ASGI_14_009	TO->FROM	GRAPEVINE INTERCHANGE - NICHOLS STATION 230KV CKT 1	329	361	0.12838	102.6379	LAWTON EASTSIDE - OKLAUNION 345KV CKT 1

SOLUTION	GROUP	SCENARIO	SEASON	SOURCE	DIRECTION	MONITORED ELEMENT	RATEA (MVA)	RATEB (MVA)	TDF	TC%LOADING (% MVA)	CONTINGENCY
FDNS	06ALL	2	15SP	ASGI_14_009	TO->FROM	GRAPEVINE INTERCHANGE - NICHOLS STATION 230KV CKT 1	319	351	0.10261	99.55632	LAWTON EASTSIDE - OKLAUNION 345KV CKT 1
FDNS	06ALL	2	15G	ASGI_14_009	FROM->TO	GRAPEVINE INTERCHANGE - STATELINE INTERCHANGE 230KV CKT 1	319	351	0.11249	96.1822	LAWTON EASTSIDE - OKLAUNION 345KV CKT 1
FDNS	06ALL	2	15G	ASGI_14_009	FROM->TO	HARPER - MILAN TAP 138KV CKT 1	138	143	0.03282	116.4392	DBL-THIS-WIC
FDNS	06ALL	2	15SP	ASGI_14_009	FROM->TO	HARPER - MILAN TAP 138KV CKT 1	127	136	0.03306	104.4461	DBL-THIS-WIC
FDNS	06ALL	2	15WP	ASGI_14_009	FROM->TO	HARPER - MILAN TAP 138KV CKT 1	143	143	0.03308	102.7312	DBL-THIS-WIC
FDNS	06ALL	2	15WP	ASGI_14_009	TO->FROM	PLANT X STATION - TOLK STATION EAST 230KV CKT 2	557	557	0.28337	99.7	PLANT X STATION - TOLK STATION WEST 230KV CKT 1
FDNS	06ALL	2	20SP	ASGI_14_009	TO->FROM	PLANT X STATION - TOLK STATION EAST 230KV CKT 2	478	502	0.19261	96.2	PLANT X STATION - TOLK STATION WEST 230KV CKT 1
FDNS	06ALL	2	20SP	ASGI_14_009	TO->FROM	PLANT X STATION - TOLK STATION WEST 230KV CKT 1	478	502	0.1945	96.9	PLANT X STATION - TOLK STATION EAST 230KV CKT 2
FDNS	06ALL	2	15SP	ASGI_14_009	FROM->TO	PLANT X STATION (WH ALM20171) 230/115/13.2KV TRANSFORMER CKT 1	252	252	0.09681	106.9543	NEWHART 230 - PLANT X STATION 230KV CKT 1
FDNS	06ALL	2	15SP	ASGI_14_009	FROM->TO	PLANT X STATION (WH ALM20171) 230/115/13.2KV TRANSFORMER CKT 1	252	252	0.05742	104.7846	LAMB COUNTY INTERCHANGE (WH ALM20172) 230/115/13.2KV TRANSFORMER CKT 1
FDNS	06ALL	2	15SP	ASGI_14_009	FROM->TO	PLANT X STATION (WH ALM20171) 230/115/13.2KV TRANSFORMER CKT 1	252	252	0.05742	104.7807	SPP-SWPS-K37
FDNS	06ALL	2	15SP	ASGI_14_009	FROM->TO	PLANT X STATION (WH ALM20171) 230/115/13.2KV TRANSFORMER CKT 1	252	252	0.05742	104.7599	LAMB COUNTY INTERCHANGE - TOLK STATION WEST 230KV CKT 1
FDNS	06ALL	2	15SP	ASGI_14_009	FROM->TO	PLANT X STATION (WH ALM20171) 230/115/13.2KV TRANSFORMER CKT 1	252	252	0.09681	104.2664	NEWHART 230 - PLANT X STATION 230KV CKT 1
FDNS	06ALL	2	15SP	ASGI_14_009	FROM->TO	PLANT X STATION (WH ALM20171) 230/115/13.2KV TRANSFORMER CKT 1	252	252	0.08301	102.3785	DEAF SMITH COUNTY INTERCHANGE - PLANT X STATION 230KV CKT 1
FDNS	06ALL	2	15SP	ASGI_14_009	FROM->TO	PLANT X STATION (WH ALM20171) 230/115/13.2KV TRANSFORMER CKT 1	252	252	0.05742	102.3506	LAMB COUNTY INTERCHANGE (WH ALM20172) 230/115/13.2KV TRANSFORMER CKT 1
FDNS	06ALL	2	15SP	ASGI_14_009	FROM->TO	PLANT X STATION (WH ALM20171) 230/115/13.2KV TRANSFORMER CKT 1	252	252	0.05742	102.3469	SPP-SWPS-K37
FDNS	06ALL	2	15SP	ASGI_14_009	FROM->TO	PLANT X STATION (WH ALM20171) 230/115/13.2KV TRANSFORMER CKT 1	252	252	0.05742	102.3256	LAMB COUNTY INTERCHANGE - TOLK STATION WEST 230KV CKT 1
FDNS	06ALL	2	15SP	ASGI_14_009	FROM->TO	PLANT X STATION (WH ALM20171) 230/115/13.2KV TRANSFORMER CKT 1	252	252	0.08301	99.6	DEAF SMITH COUNTY INTERCHANGE - PLANT X STATION 230KV CKT 1
FDNS	06ALL	2	15SP	ASGI_14_009	FROM->TO	PLANT X STATION (WH ALM20171) 230/115/13.2KV TRANSFORMER CKT 1	252	252	0.05511	95.6	GEN525493 1-PLANT X GEN #3
FDNS	06ALL	2	20WP	ASGI_14_009	FROM->TO	TUCO INTERCHANGE - TUCO_2 230.00 230KV CKT 1	329	361	0.12399	101.7389	SPP-SWPS-01
FDNS	06ALL	2	20WP	ASGI_14_009	FROM->TO	TUCO INTERCHANGE - TUCO_2 230.00 230KV CKT 1	329	361	0.12573	100.0723	TUCO INTERCHANGE (GE M1022338) 345/230/13.2KV TRANSFORMER CKT 1
FDNS	06ALL	2	15G	ASGI_14_009	FROM->TO	TUCO INTERCHANGE - TUCO_2 230.00 230KV CKT 1	319	351	0.15824	98.75284	LAWTON EASTSIDE - OKLAUNION 345KV CKT 1
FDNS	06ALL	2	15SP	ASGI_14_009	FROM->TO	TUCO INTERCHANGE - TUCO_2 230.00 230KV CKT 1	319	351	0.19245	96.5	TUCO INTERCHANGE - TUCO_2 345.00 345KV CKT 1
FDNS	06ALL	2	15WP	ASGI_14_009	FROM->TO	TUCO INTERCHANGE - TUCO_2 230.00 230KV CKT 1	329	361	0.22264	96.4	TUCO INTERCHANGE (GE M1022338) 345/230/13.2KV TRANSFORMER CKT 1
FDNS	06ALL	2	15WP	ASGI_14_009	FROM->TO	TUCO INTERCHANGE - TUCO_2 230.00 230KV CKT 1	329	361	0.21389	95.1	SPP-SWPS-01
FDNS	06ALL	3	15G	ASGI_14_009	FROM->TO	CLEARWATER - GILL ENERGY CENTER WEST 138KV CKT 1	143	143	0.03286	100.3353	DBL-THIS-WIC
FDNS	06ALL	3	15G	ASGI_14_009	TO->FROM	CLEARWATER - MILAN TAP 138KV CKT 1	110	110	0.03286	139.9081	DBL-THIS-WIC
FDNS	06ALL	3	20WP	ASGI_14_009	TO->FROM	CLEARWATER - MILAN TAP 138KV CKT 1	110	110	0.0327	108.5249	DBL-THIS-WIC
FDNS	06ALL	3	15WP	ASGI_14_009	TO->FROM	CLEARWATER - MILAN TAP 138KV CKT 1	110	110	0.03311	106.1126	DBL-THIS-WIC
FDNS	06ALL	3	15SP	ASGI_14_009	TO->FROM	CLEARWATER - MILAN TAP 138KV CKT 1	110	110	0.03308	99.9	DBL-THIS-WIC
FDNS	06ALL	3	15SP	ASGI_14_009	FROM->TO	CURRY COUNTY INTERCHANGE - DEAF SMITH REC-#20 115KV CKT 1	96	96	0.06104	120.7305	DEAF SMITH COUNTY INTERCHANGE - PLANT X STATION 230KV CKT 1
FDNS	06ALL	3	20SP	ASGI_14_009	FROM->TO	CURRY COUNTY INTERCHANGE - DEAF SMITH REC-#20 115KV CKT 1	96	96	0.04496	104.6276	DEAF SMITH COUNTY INTERCHANGE - PLANT X STATION 230KV CKT 1
FDNS	06ALL	3	15SP	ASGI_14_009	FROM->TO	CURRY COUNTY INTERCHANGE - DEAF SMITH REC-#20 115KV CKT 1	96	96	0.04502	103.3912	LAWTON EASTSIDE - OKLAUNION 345KV CKT 1
FDNS	06ALL	3	15SP	ASGI_14_009	TO->FROM	DEAF SMITH COUNTY INTERCHANGE - PLANT X STATION 230KV CKT 1	319	351	0.18496	109.4403	LAWTON EASTSIDE - OKLAUNION 345KV CKT 1
FDNS	06ALL	3	15SP	ASGI_14_009	TO->FROM	DEAF SMITH COUNTY INTERCHANGE - PLANT X STATION 230KV CKT 1	319	351	0.19885	96.9	NEWHART 230 - PLANT X STATION 230KV CKT 1
FDNS	06ALL	3	15SP	ASGI_14_009	TO->FROM	DEAF SMITH COUNTY INTERCHANGE - PLANT X STATION 230KV CKT 1	319	351	0.18612	96.2	SPP-SWPS-01
FDNS	06ALL	3	15SP	ASGI_14_009	TO->FROM	DEAF SMITH COUNTY INTERCHANGE - PLANT X STATION 230KV CKT 1	319	351	0.18496	96	SPSCONT-01
FDNS	06ALL	3	15SP	ASGI_14_009	TO->FROM	DEAF SMITH COUNTY INTERCHANGE - PLANT X STATION 230KV CKT 1	319	351	0.18496	95.8	OKLAUNION - TUCO INTERCHANGE 345KV CKT 1
FDNS	06ALL	3	15SP	ASGI_14_009	FROM->TO	DEAF SMITH REC-#20 - PARMER COUNTY SUB 115KV CKT 1	96	96	0.06104	107.5483	DEAF SMITH COUNTY INTERCHANGE - PLANT X STATION 230KV CKT 1
FDNS	06ALL	3	15SP	ASGI_14_009	TO->FROM	DEAF SMITH REC-#24 - PARMER COUNTY SUB 115KV CKT 1	96	96	0.06104	99.8	DEAF SMITH COUNTY INTERCHANGE - PLANT X STATION 230KV CKT 1
FDNS	06ALL	3	15G	ASGI_14_009	FROM->TO	ELK CITY 230KV (ELKCTY-6) 230/138/13.8KV TRANSFORMER CKT 1	287	316	0.11261	106.8002	LAWTON EASTSIDE - OKLAUNION 345KV CKT 1
FDNS	06ALL	3	15G	ASGI_14_009	FROM->TO	ELK CITY 230KV (ELKCTY-6) 230/138/13.8KV TRANSFORMER CKT 1	287	316	0.11261	104.9708	LAWTON EASTSIDE - OKLAUNION 345KV CKT 1
FDNS	06ALL	3	15SP	ASGI_14_009	FROM->TO	ELK CITY 230KV (ELKCTY-6) 230/138/13.8KV TRANSFORMER CKT 1	272	316	0.12059	100.0238	LAWTON EASTSIDE - OKLAUNION 345KV CKT 1
FDNS	06ALL	3	15WP	ASGI_14_009	FROM->TO	ELK CITY 230KV (ELKCTY-6) 230/138/13.8KV TRANSFORMER CKT 1	287	316	0.12416	99.80477	LAWTON EASTSIDE - OKLAUNION 345KV CKT 1
FDNS	06ALL	3	15SP	ASGI_14_009	FROM->TO	ELK CITY 230KV (ELKCTY-6) 230/138/13.8KV TRANSFORMER CKT 1	272	316	0.12059	98.58963	LAWTON EASTSIDE - OKLAUNION 345KV CKT 1
FDNS	06ALL	3	15WP	ASGI_14_009	FROM->TO	ELK CITY 230KV (ELKCTY-6) 230/138/13.8KV TRANSFORMER CKT 1	287	316	0.12416	98.40416	LAWTON EASTSIDE - OKLAUNION 345KV CKT 1
FDNS	06ALL	3	15G	ASGI_14_009	FROM->TO	ELK CITY 230KV (ELKCTY-6) 230/138/13.8KV TRANSFORMER CKT 1	287	316	0.11261	97.5	SPSCONT-01
FDNS	06ALL	3	15G	ASGI_14_009	FROM->TO	ELK CITY 230KV (ELKCTY-6) 230/138/13.8KV TRANSFORMER CKT 1	287	316	0.11322	96.7	SPP-SWPS-01
FDNS-CHECK-TC-Iteration Limit Exceeded.	06ALL	3	15G	ASGI_14_009	FROM->TO	ELK CITY 230KV (ELKCTY-6) 230/138/13.8KV TRANSFORMER CKT 1	287	316	0.09728	96.7	DBL-G1114-WW
FDNS	06ALL	3	15G	ASGI_14_009	FROM->TO	ELK CITY 230KV (ELKCTY-6) 230/138/13.8KV TRANSFORMER CKT 1	287	316	0.11261	96.5	SPSCONT-01
FDNS	06ALL	3	15G	ASGI_14_009	FROM->TO	ELK CITY 230KV (ELKCTY-6) 230/138/13.8KV TRANSFORMER CKT 1	287	316	0.11261	96.4	OKLAUNION - TUCO INTERCHANGE 345KV CKT 1
FDNS	06ALL	3	15G	ASGI_14_009	FROM->TO	ELK CITY 230KV (ELKCTY-6) 230/138/13.8KV TRANSFORMER CKT 1	287	316	0.09728	95.6	DBL-BVR-G111
FDNS-CHECK-TC-Iteration Limit Exceeded.	06ALL	3	15G	ASGI_14_009	FROM->TO	ELK CITY 230KV (ELKCTY-6) 230/138/13.8KV TRANSFORMER CKT 1	287	316	0.09728	95.6	DBL-G1114-WW
FDNS	06ALL	3	15G	ASGI_14_009	FROM->TO	ELK CITY 230KV (ELKCTY-6) 230/138/13.8KV TRANSFORMER CKT 1	287	316	0.11322	95.5	SPP-SWPS-01
FDNS	06ALL	3	15G	ASGI_14_009	FROM->TO	ELK CITY 230KV (ELKCTY-6) 230/138/13.8KV TRANSFORMER CKT 1	287	316	0.11261	95.3	OKLAUNION - TUCO INTERCHANGE 345KV CKT 1
FDNS	06ALL	3	15SP	ASGI_14_009	TO->FROM	FLATRDG3 - THISTLE4 138.00 138KV CKT 1	286	286	0.04774	98.1	DBL-THIS-WIC
FDNS	06ALL	3	15G	ASGI_14_009	TO->FROM	FPL SWITCH - WOODWARD 138KV CKT 1	133	153	0.04544	161.139	NORTHWEST - TATONGA7 345.00 345KV CKT 1
FDNS	06ALL	3	15G	ASGI_14_009	TO->FROM	FPL SWITCH - WOODWARD 138KV CKT 1	133	153	0.0536	159.4606	DBL-THIS-WWR
FDNS	06ALL	3	15G	ASGI_14_009	TO->FROM	FPL SWITCH - WOODWARD 138KV CKT 1	133	153	0.04544	157.7752	SPSCONT-05B
FDNS	06ALL	3	15G	ASGI_14_009	TO->FROM	FPL SWITCH - WOODWARD 138KV CKT 1	133	153	0.04544	157.1729	SPSCONT-04
FDNS	06ALL	3	15G	ASGI_14_009	TO->FROM	FPL SWITCH - WOODWARD 138KV CKT 1	133	153	0.04294	154.0712	DBL-THIS-WIC
FDNS	06ALL	3	15G	ASGI_14_009	TO->FROM	FPL SWITCH - WOODWARD 138KV CKT 1	133	153	0.04725	152.6468	LAWTON EASTSIDE - OKLAUNION 345KV CKT 1

SOLUTION	GROUP	SCENARIO	SEASON	SOURCE	DIRECTION	MONITORED ELEMENT	RATEA (MVA)	RATEB (MVA)	TDF	TC%LOADING (% MVA)	CONTINGENCY
FDNS	06ALL	3	15G	ASGI_14_009	TO->FROM	FPL SWITCH - WOODWARD 138KV CKT 1	133	153	0.04544	147.5252	G11_051T 345.00 - TATONGA7 345.00 345KV CKT 1
FDNS	06ALL	3	15G	ASGI_14_009	TO->FROM	FPL SWITCH - WOODWARD 138KV CKT 1	133	153	0.04544	146.2378	G11_051T 345.00 - WOODWARD DISTRICT EHV 345KV CKT 1
FDNS	06ALL	3	15G	ASGI_14_009	TO->FROM	FPL SWITCH - WOODWARD 138KV CKT 1	133	153	0.03187	143.417	WOODWARD (WOODWRD2) 138/69/13.2KV TRANSFORMER CKT 1
FDNS	06ALL	3	15G	ASGI_14_009	TO->FROM	FPL SWITCH - WOODWARD 138KV CKT 1	133	153	0.04544	143.0314	SPSCONT-05AX
FDNS	06ALL	3	15G	ASGI_14_009	TO->FROM	FPL SWITCH - WOODWARD 138KV CKT 1	133	153	0.04143	142.1867	ELK CITY 230KV - SWEETWATER 230KV CKT 1
FDNS	06ALL	3	15G	ASGI_14_009	TO->FROM	FPL SWITCH - WOODWARD 138KV CKT 1	133	153	0.04143	142.1522	ELK CITY 230KV (ELKCTY-6) 230/138/13.8KV TRANSFORMER CKT 1
FDNS	06ALL	3	15G	ASGI_14_009	TO->FROM	FPL SWITCH - WOODWARD 138KV CKT 1	133	153	0.04725	141.5408	SPSCONT-01
FDNS	06ALL	3	15G	ASGI_14_009	TO->FROM	FPL SWITCH - WOODWARD 138KV CKT 1	133	153	0.04165	139.7718	SPP-SWPS-03
FDNS	06ALL	3	15G	ASGI_14_009	TO->FROM	FPL SWITCH - WOODWARD 138KV CKT 1	133	153	0.04725	139.4068	OKLAUNION - TUCO INTERCHANGE 345KV CKT 1
FDNS	06ALL	3	15G	ASGI_14_009	TO->FROM	FPL SWITCH - WOODWARD 138KV CKT 1	133	153	0.04705	139.2189	SPP-SWPS-01
FDNS	06ALL	3	15G	ASGI_14_009	TO->FROM	FPL SWITCH - WOODWARD 138KV CKT 1	133	153	0.04143	138.5807	SPP-SWPS-02A
FDNS	06ALL	3	15G	ASGI_14_009	TO->FROM	FPL SWITCH - WOODWARD 138KV CKT 1	133	153	0.04143	138.419	GRAPEVINE INTERCHANGE - STATELINE INTERCHANGE 230KV CKT 1
FDNS	06ALL	3	15G	ASGI_14_009	TO->FROM	FPL SWITCH - WOODWARD 138KV CKT 1	133	153	0.03386	137.3554	IODINE - WOODWARD EHV 138KV CKT 1
FDNS	06ALL	3	15G	ASGI_14_009	TO->FROM	FPL SWITCH - WOODWARD 138KV CKT 1	133	153	0.03386	135.3142	DEWEY - IODINE 138KV CKT 1
FDNS	06ALL	3	15G	ASGI_14_009	TO->FROM	FPL SWITCH - WOODWARD 138KV CKT 1	133	153	0.04143	132.9488	STATELINE INTERCHANGE - STLN-DEMARC6 230KV CKT 1
FDNS	06ALL	3	15G	ASGI_14_009	TO->FROM	FPL SWITCH - WOODWARD 138KV CKT 1	133	153	0.04143	132.9455	SPP-SWPS-02
FDNS	06ALL	3	15G	ASGI_14_009	TO->FROM	FPL SWITCH - WOODWARD 138KV CKT 1	133	153	0.04143	132.9341	STLN-DEMARC6 - SWEETWATER 230KV CKT 1
FDNS	06ALL	3	15G	ASGI_14_009	TO->FROM	FPL SWITCH - WOODWARD 138KV CKT 1	133	153	0.0343	130.4008	GRAPEVINE INTERCHANGE - NICHOLS STATION 230KV CKT 1
FDNS	06ALL	3	15G	ASGI_14_009	TO->FROM	FPL SWITCH - WOODWARD 138KV CKT 1	133	153	0.03187	130.0269	WOODWARD - WOODWARD 69KV CKT 1
FDNS	06ALL	3	15G	ASGI_14_009	TO->FROM	FPL SWITCH - WOODWARD 138KV CKT 1	133	153	0.03464	126.1489	THISTLE7 345.00 - WOODWARD DISTRICT EHV 345KV CKT 1
FDNS	06ALL	3	15G	ASGI_14_009	TO->FROM	FPL SWITCH - WOODWARD 138KV CKT 1	133	153	0.03464	126.1489	THISTLE7 345.00 - WOODWARD DISTRICT EHV 345KV CKT 2
FDNS	06ALL	3	15G	ASGI_14_009	TO->FROM	FPL SWITCH - WOODWARD 138KV CKT 1	133	153	0.03409	124.4764	FINNEY SWITCHING STATION - HOLCOMB 345KV CKT 1
FDNS	06ALL	3	15G	ASGI_14_009	TO->FROM	FPL SWITCH - WOODWARD 138KV CKT 1	133	153	0.03171	124.1911	THISTLE7 345.00 - WICHITA 345KV CKT 1
FDNS	06ALL	3	15G	ASGI_14_009	TO->FROM	FPL SWITCH - WOODWARD 138KV CKT 1	133	153	0.03171	124.1911	THISTLE7 345.00 - WICHITA 345KV CKT 2
FDNS	06ALL	3	15G	ASGI_14_009	TO->FROM	FPL SWITCH - WOODWARD 138KV CKT 1	133	153	0.03409	123.2348	SPP-SWPS-05
FDNS	06ALL	3	15G	ASGI_14_009	TO->FROM	FPL SWITCH - WOODWARD 138KV CKT 1	133	153	0.03409	123.1767	FINNEY SWITCHING STATION - Hitchland Interchange 345KV CKT 1
FDNS	06ALL	3	15G	ASGI_14_009	TO->FROM	FPL SWITCH - WOODWARD 138KV CKT 1	133	153	0.0315	120.7358	ELLIS 4 138.00 - RED HILLS WIND 138KV CKT 1
FDNS	06ALL	3	15G	ASGI_14_009	TO->FROM	FPL SWITCH - WOODWARD 138KV CKT 1	133	153	0.0315	118.208	ELLIS 4 138.00 - MOREWOOD SW 138KV CKT 1
FDNS	06ALL	3	15SP	ASGI_14_009	TO->FROM	FPL SWITCH - WOODWARD 138KV CKT 1	133	153	0.05682	111.727	DBL-THIS-WWR
FDNS	06ALL	3	15G	ASGI_14_009	TO->FROM	FPL SWITCH - WOODWARD 138KV CKT 1	133	153	0.0315	106.2134	ELK CITY - RED HILLS WIND 138KV CKT 1
FDNS	06ALL	3	15SP	ASGI_14_009	TO->FROM	FPL SWITCH - WOODWARD 138KV CKT 1	133	153	0.04837	105.3474	NORTHWEST - TATONGA7 345.00 345KV CKT 1
FDNS	06ALL	3	15SP	ASGI_14_009	TO->FROM	FPL SWITCH - WOODWARD 138KV CKT 1	133	153	0.05022	104.763	LAWTON EASTSIDE - OKLAUNION 345KV CKT 1
FDNS	06ALL	3	15SP	ASGI_14_009	TO->FROM	FPL SWITCH - WOODWARD 138KV CKT 1	133	153	0.04837	102.5806	SPSCONT-05B
FDNS	06ALL	3	15SP	ASGI_14_009	TO->FROM	FPL SWITCH - WOODWARD 138KV CKT 1	133	153	0.04837	101.4405	SPSCONT-04
FDNS	06ALL	3	15SP	ASGI_14_009	TO->FROM	FPL SWITCH - WOODWARD 138KV CKT 1	133	153	0.04586	100.7966	DBL-THIS-WIC
FDNS	06ALL	3	15SP	ASGI_14_009	TO->FROM	FPL SWITCH - WOODWARD 138KV CKT 1	133	153	0.03517	97.7	WOODWARD (WOODWRD2) 138/69/13.2KV TRANSFORMER CKT 1
FDNS	06ALL	3	20WP	ASGI_14_009	TO->FROM	FPL SWITCH - WOODWARD 138KV CKT 1	171	185	0.05097	96.7	NORTHWEST - TATONGA7 345.00 345KV CKT 1
FDNS	06ALL	3	20WP	ASGI_14_009	TO->FROM	FPL SWITCH - WOODWARD 138KV CKT 1	171	185	0.06049	96	DBL-THIS-WWR
FDNS	06ALL	3	15G	ASGI_14_009	TO->FROM	GRAPEVINE INTERCHANGE - NICHOLS STATION 230KV CKT 1	319	351	0.10116	104.2251	LAWTON EASTSIDE - OKLAUNION 345KV CKT 1
FDNS	06ALL	3	20WP	ASGI_14_009	TO->FROM	GRAPEVINE INTERCHANGE - NICHOLS STATION 230KV CKT 1	329	361	0.1285	102.6177	LAWTON EASTSIDE - OKLAUNION 345KV CKT 1
FDNS	06ALL	3	15SP	ASGI_14_009	TO->FROM	GRAPEVINE INTERCHANGE - NICHOLS STATION 230KV CKT 1	319	351	0.10266	99.55151	LAWTON EASTSIDE - OKLAUNION 345KV CKT 1
FDNS	06ALL	3	15G	ASGI_14_009	FROM->TO	GRAPEVINE INTERCHANGE - STATELINE INTERCHANGE 230KV CKT 1	319	351	0.11261	96.19302	LAWTON EASTSIDE - OKLAUNION 345KV CKT 1
FDNS	06ALL	3	15G	ASGI_14_009	FROM->TO	HARPER - MILAN TAP 138KV CKT 1	138	143	0.03286	116.387	DBL-THIS-WIC
FDNS	06ALL	3	15SP	ASGI_14_009	FROM->TO	HARPER - MILAN TAP 138KV CKT 1	127	136	0.03308	104.4151	DBL-THIS-WIC
FDNS	06ALL	3	15WP	ASGI_14_009	FROM->TO	HARPER - MILAN TAP 138KV CKT 1	143	143	0.03311	102.7046	DBL-THIS-WIC
FDNS	06ALL	3	15WP	ASGI_14_009	TO->FROM	PLANT X STATION - TOLK STATION EAST 230KV CKT 2	557	557	0.28128	99.6	PLANT X STATION - TOLK STATION WEST 230KV CKT 1
FDNS	06ALL	3	20SP	ASGI_14_009	TO->FROM	PLANT X STATION - TOLK STATION EAST 230KV CKT 2	478	502	0.19298	96.2	PLANT X STATION - TOLK STATION WEST 230KV CKT 1
FDNS	06ALL	3	20SP	ASGI_14_009	TO->FROM	PLANT X STATION - TOLK STATION WEST 230KV CKT 1	478	502	0.19487	97	PLANT X STATION - TOLK STATION EAST 230KV CKT 2
FDNS	06ALL	3	15SP	ASGI_14_009	FROM->TO	PLANT X STATION (WH ALM20171) 230/115/13.2KV TRANSFORMER CKT 1	252	252	0.09656	106.8107	NEWHART 230 - PLANT X STATION 230KV CKT 1
FDNS	06ALL	3	15SP	ASGI_14_009	FROM->TO	PLANT X STATION (WH ALM20171) 230/115/13.2KV TRANSFORMER CKT 1	252	252	0.05703	104.6633	LAMB COUNTY INTERCHANGE - TOLK STATION WEST 230KV CKT 1
FDNS	06ALL	3	15SP	ASGI_14_009	FROM->TO	PLANT X STATION (WH ALM20171) 230/115/13.2KV TRANSFORMER CKT 1	252	252	0.05703	104.6607	LAMB COUNTY INTERCHANGE (WH ALM20172) 230/115/13.2KV TRANSFORMER CKT 1
FDNS	06ALL	3	15SP	ASGI_14_009	FROM->TO	PLANT X STATION (WH ALM20171) 230/115/13.2KV TRANSFORMER CKT 1	252	252	0.05703	104.6607	SPP-SWPS-K37
FDNS	06ALL	3	15SP	ASGI_14_009	FROM->TO	PLANT X STATION (WH ALM20171) 230/115/13.2KV TRANSFORMER CKT 1	252	252	0.09656	104.1177	NEWHART 230 - PLANT X STATION 230KV CKT 1
FDNS	06ALL	3	15SP	ASGI_14_009	FROM->TO	PLANT X STATION (WH ALM20171) 230/115/13.2KV TRANSFORMER CKT 1	252	252	0.0828	102.2408	DEAF SMITH COUNTY INTERCHANGE - PLANT X STATION 230KV CKT 1
FDNS	06ALL	3	15SP	ASGI_14_009	FROM->TO	PLANT X STATION (WH ALM20171) 230/115/13.2KV TRANSFORMER CKT 1	252	252	0.05703	102.2229	LAMB COUNTY INTERCHANGE - TOLK STATION WEST 230KV CKT 1
FDNS	06ALL	3	15SP	ASGI_14_009	FROM->TO	PLANT X STATION (WH ALM20171) 230/115/13.2KV TRANSFORMER CKT 1	252	252	0.05703	102.2204	LAMB COUNTY INTERCHANGE (WH ALM20172) 230/115/13.2KV TRANSFORMER CKT 1
FDNS	06ALL	3	15SP	ASGI_14_009	FROM->TO	PLANT X STATION (WH ALM20171) 230/115/13.2KV TRANSFORMER CKT 1	252	252	0.05703	102.2204	SPP-SWPS-K37
FDNS	06ALL	3	15SP	ASGI_14_009	FROM->TO	PLANT X STATION (WH ALM20171) 230/115/13.2KV TRANSFORMER CKT 1	252	252	0.0828	99.5	DEAF SMITH COUNTY INTERCHANGE - PLANT X STATION 230KV CKT 1
FDNS	06ALL	3	15SP	ASGI_14_009	FROM->TO	PLANT X STATION (WH ALM20171) 230/115/13.2KV TRANSFORMER CKT 1	252	252	0.05489	95.4	GEN525493 1-PLANT X GEN #3
FDNS	06ALL	4	15G	ASGI_14_009	FROM->TO	CLEARWATER - GILL ENERGY CENTER WEST 138KV CKT 1	143	143	0.03286	100.3353	DBL-THIS-WIC
FDNS	06ALL	4	15G	ASGI_14_009	TO->FROM	CLEARWATER - MILAN TAP 138KV CKT 1	110	110	0.03286	139.9081	DBL-THIS-WIC
FDNS	06ALL	4	20WP	ASGI_14_009	TO->FROM	CLEARWATER - MILAN TAP 138KV CKT 1	110	110	0.0327	108.5249	DBL-THIS-WIC
FDNS	06ALL	4	15WP	ASGI_14_009	TO->FROM	CLEARWATER - MILAN TAP 138KV CKT 1	110	110	0.03311	106.1126	DBL-THIS-WIC
FDNS	06ALL	4	15SP	ASGI_14_009	TO->FROM	CLEARWATER - MILAN TAP 138KV CKT 1	110	110	0.03308	99.9	DBL-THIS-WIC
FDNS	06ALL	4	15SP	ASGI_14_009	FROM->TO	CURRY COUNTY INTERCHANGE - DEAF SMITH REC-#20 115KV CKT 1	96	96	0.06104	120.7303	DEAF SMITH COUNTY INTERCHANGE - PLANT X STATION 230KV CKT 1
FDNS	06ALL	4	20SP	ASGI_14_009	FROM->TO	CURRY COUNTY INTERCHANGE - DEAF SMITH REC-#20 115KV CKT 1	96	96	0.04496	104.6276	DEAF SMITH COUNTY INTERCHANGE - PLANT X STATION 230KV CKT 1
FDNS	06ALL	4	15SP	ASGI_14_009	FROM->TO	CURRY COUNTY INTERCHANGE - DEAF SMITH REC-#20 115KV CKT 1	96	96	0.04502	103.3913	LAWTON EASTSIDE - OKLAUNION 345KV CKT 1
FDNS	06ALL	4	15SP	ASGI_14_009	TO->FROM	DEAF SMITH COUNTY INTERCHANGE - PLANT X STATION 230KV CKT 1	319	351	0.18496	109.4404	LAWTON EASTSIDE - OKLAUNION 345KV CKT 1
FDNS	06ALL	4	15SP	ASGI_14_009	TO->FROM	DEAF SMITH COUNTY INTERCHANGE - PLANT X STATION 230KV CKT 1	319	351	0.19885	96.9	NEWHART 230 - PLANT X STATION 230KV CKT 1
FDNS	06ALL	4	15SP	ASGI_14_009	TO->FROM	DEAF SMITH COUNTY INTERCHANGE - PLANT X STATION 230KV CKT 1	319	351	0.18612	96.2	SPP-SWPS-01
FDNS	06ALL	4	15SP	ASGI_14_009	TO->FROM	DEAF SMITH COUNTY INTERCHANGE - PLANT X STATION 230KV CKT 1	319	351	0.18496	96	SPSCONT-01
FDNS	06ALL	4	15SP	ASGI_14_009	TO->FROM	DEAF SMITH COUNTY INTERCHANGE - PLANT X STATION 230KV CKT 1	319	351	0.18496	95.8	OKLAUNION - TUCO INTERCHANGE 345KV CKT 1

SOLUTION	GROUP	SCENARIO	SEASON	SOURCE	DIRECTION	MONITORED ELEMENT	RATEA (MVA)	RATEB (MVA)	TC%LOADING (% MVA)	TDF	CONTINGENCY
FDNS	06ALL		4 15SP	ASGI_14_009	FROM->TO	DEAF SMITH REC-#20 - PARMER COUNTY SUB 115KV CKT 1	96	96	0.06104	107.5483	DEAF SMITH COUNTY INTERCHANGE - PLANT X STATION 230KV CKT 1
FDNS	06ALL		4 15SP	ASGI_14_009	TO->FROM	DEAF SMITH REC-#24 - PARMER COUNTY SUB 115KV CKT 1	96	96	0.06104	99.8	DEAF SMITH COUNTY INTERCHANGE - PLANT X STATION 230KV CKT 1
FDNS	06ALL		4 15G	ASGI_14_009	FROM->TO	ELK CITY 230KV (ELKCTY-6) 230/138/13.8KV TRANSFORMER CKT 1	287	316	0.11261	106.8002	LAWTON EASTSIDE - OKLAUNION 345KV CKT 1
FDNS	06ALL		4 15G	ASGI_14_009	FROM->TO	ELK CITY 230KV (ELKCTY-6) 230/138/13.8KV TRANSFORMER CKT 1	287	316	0.11261	104.9708	LAWTON EASTSIDE - OKLAUNION 345KV CKT 1
FDNS	06ALL		4 15SP	ASGI_14_009	FROM->TO	ELK CITY 230KV (ELKCTY-6) 230/138/13.8KV TRANSFORMER CKT 1	272	316	0.12059	100.0245	LAWTON EASTSIDE - OKLAUNION 345KV CKT 1
FDNS	06ALL		4 15WP	ASGI_14_009	FROM->TO	ELK CITY 230KV (ELKCTY-6) 230/138/13.8KV TRANSFORMER CKT 1	287	316	0.12416	99.80477	LAWTON EASTSIDE - OKLAUNION 345KV CKT 1
FDNS	06ALL		4 15SP	ASGI_14_009	FROM->TO	ELK CITY 230KV (ELKCTY-6) 230/138/13.8KV TRANSFORMER CKT 1	272	316	0.12059	98.59045	LAWTON EASTSIDE - OKLAUNION 345KV CKT 1
FDNS	06ALL		4 15WP	ASGI_14_009	FROM->TO	ELK CITY 230KV (ELKCTY-6) 230/138/13.8KV TRANSFORMER CKT 1	287	316	0.12416	98.40416	LAWTON EASTSIDE - OKLAUNION 345KV CKT 1
FDNS	06ALL		4 15G	ASGI_14_009	FROM->TO	ELK CITY 230KV (ELKCTY-6) 230/138/13.8KV TRANSFORMER CKT 1	287	316	0.11261	97.5	SPSCONT-01
FDNS	06ALL		4 15G	ASGI_14_009	FROM->TO	ELK CITY 230KV (ELKCTY-6) 230/138/13.8KV TRANSFORMER CKT 1	287	316	0.11322	96.7	SPP-SWPS-01
FDNS-CHECK-TC-Iteration Limit Exceeded.	06ALL		4 15G	ASGI_14_009	FROM->TO	ELK CITY 230KV (ELKCTY-6) 230/138/13.8KV TRANSFORMER CKT 1	287	316	0.09728	96.7	DBL-G1114-WW
FDNS	06ALL		4 15G	ASGI_14_009	FROM->TO	ELK CITY 230KV (ELKCTY-6) 230/138/13.8KV TRANSFORMER CKT 1	287	316	0.11261	96.5	SPSCONT-01
FDNS	06ALL		4 15G	ASGI_14_009	FROM->TO	ELK CITY 230KV (ELKCTY-6) 230/138/13.8KV TRANSFORMER CKT 1	287	316	0.11261	96.4	OKLAUNION - TUCO INTERCHANGE 345KV CKT 1
FDNS	06ALL		4 15G	ASGI_14_009	FROM->TO	ELK CITY 230KV (ELKCTY-6) 230/138/13.8KV TRANSFORMER CKT 1	287	316	0.09728	95.6	DBL-BVR-G111
FDNS-CHECK-TC-Iteration Limit Exceeded.	06ALL		4 15G	ASGI_14_009	FROM->TO	ELK CITY 230KV (ELKCTY-6) 230/138/13.8KV TRANSFORMER CKT 1	287	316	0.09728	95.6	DBL-G1114-WW
FDNS	06ALL		4 15G	ASGI_14_009	FROM->TO	ELK CITY 230KV (ELKCTY-6) 230/138/13.8KV TRANSFORMER CKT 1	287	316	0.11322	95.5	SPP-SWPS-01
FDNS	06ALL		4 15G	ASGI_14_009	FROM->TO	ELK CITY 230KV (ELKCTY-6) 230/138/13.8KV TRANSFORMER CKT 1	287	316	0.11261	95.3	OKLAUNION - TUCO INTERCHANGE 345KV CKT 1
FDNS	06ALL		4 15SP	ASGI_14_009	TO->FROM	FLATRDG3 - THISTLE4 138.00 138KV CKT 1	286	286	0.04774	98.1	DBL-THIS-WIC
FDNS	06ALL		4 15G	ASGI_14_009	TO->FROM	FPL SWITCH - WOODWARD 138KV CKT 1	133	153	0.04544	161.139	NORTHWEST - TATONGA7 345.00 345KV CKT 1
FDNS	06ALL		4 15G	ASGI_14_009	TO->FROM	FPL SWITCH - WOODWARD 138KV CKT 1	133	153	0.0536	159.4606	DBL-THIS-WWR
FDNS	06ALL		4 15G	ASGI_14_009	TO->FROM	FPL SWITCH - WOODWARD 138KV CKT 1	133	153	0.04544	157.7752	SPSCONT-05B
FDNS	06ALL		4 15G	ASGI_14_009	TO->FROM	FPL SWITCH - WOODWARD 138KV CKT 1	133	153	0.04544	157.1729	SPSCONT-04
FDNS	06ALL		4 15G	ASGI_14_009	TO->FROM	FPL SWITCH - WOODWARD 138KV CKT 1	133	153	0.04294	154.0712	DBL-THIS-WIC
FDNS	06ALL		4 15G	ASGI_14_009	TO->FROM	FPL SWITCH - WOODWARD 138KV CKT 1	133	153	0.04725	152.6468	LAWTON EASTSIDE - OKLAUNION 345KV CKT 1
FDNS	06ALL		4 15G	ASGI_14_009	TO->FROM	FPL SWITCH - WOODWARD 138KV CKT 1	133	153	0.04544	147.5252	G11_051T 345.00 - TATONGA7 345.00 345KV CKT 1
FDNS	06ALL		4 15G	ASGI_14_009	TO->FROM	FPL SWITCH - WOODWARD 138KV CKT 1	133	153	0.04544	146.2378	G11_051T 345.00 - WOODWARD DISTRICT EHV 345KV CKT 1
FDNS	06ALL		4 15G	ASGI_14_009	TO->FROM	FPL SWITCH - WOODWARD 138KV CKT 1	133	153	0.03187	143.417	WOODWARD (WOODWRD2) 138/69/13.2KV TRANSFORMER CKT 1
FDNS	06ALL		4 15G	ASGI_14_009	TO->FROM	FPL SWITCH - WOODWARD 138KV CKT 1	133	153	0.04544	143.0315	SPSCONT-05AX
FDNS	06ALL		4 15G	ASGI_14_009	TO->FROM	FPL SWITCH - WOODWARD 138KV CKT 1	133	153	0.04143	142.1867	ELK CITY 230KV - SWEETWATER 230KV CKT 1
FDNS	06ALL		4 15G	ASGI_14_009	TO->FROM	FPL SWITCH - WOODWARD 138KV CKT 1	133	153	0.04143	142.1522	ELK CITY 230KV (ELKCTY-6) 230/138/13.8KV TRANSFORMER CKT 1
FDNS	06ALL		4 15G	ASGI_14_009	TO->FROM	FPL SWITCH - WOODWARD 138KV CKT 1	133	153	0.04725	141.5408	SPSCONT-01
FDNS	06ALL		4 15G	ASGI_14_009	TO->FROM	FPL SWITCH - WOODWARD 138KV CKT 1	133	153	0.04165	139.7718	SPP-SWPS-03
FDNS	06ALL		4 15G	ASGI_14_009	TO->FROM	FPL SWITCH - WOODWARD 138KV CKT 1	133	153	0.04725	139.4068	OKLAUNION - TUCO INTERCHANGE 345KV CKT 1
FDNS	06ALL		4 15G	ASGI_14_009	TO->FROM	FPL SWITCH - WOODWARD 138KV CKT 1	133	153	0.04705	139.2189	SPP-SWPS-01
FDNS	06ALL		4 15G	ASGI_14_009	TO->FROM	FPL SWITCH - WOODWARD 138KV CKT 1	133	153	0.04143	138.5807	SPP-SWPS-02A
FDNS	06ALL		4 15G	ASGI_14_009	TO->FROM	FPL SWITCH - WOODWARD 138KV CKT 1	133	153	0.04143	138.419	GRAPEVINE INTERCHANGE - STATELINE INTERCHANGE 230KV CKT 1
FDNS	06ALL		4 15G	ASGI_14_009	TO->FROM	FPL SWITCH - WOODWARD 138KV CKT 1	133	153	0.03386	137.3554	IODINE - WOODWARD EHV 138KV CKT 1
FDNS	06ALL		4 15G	ASGI_14_009	TO->FROM	FPL SWITCH - WOODWARD 138KV CKT 1	133	153	0.03386	135.3142	DEWEY - IODINE 138KV CKT 1
FDNS	06ALL		4 15G	ASGI_14_009	TO->FROM	FPL SWITCH - WOODWARD 138KV CKT 1	133	153	0.04143	132.9488	STATELINE INTERCHANGE - STLN-DEMARC6 230KV CKT 1
FDNS	06ALL		4 15G	ASGI_14_009	TO->FROM	FPL SWITCH - WOODWARD 138KV CKT 1	133	153	0.04143	132.9455	SPP-SWPS-02
FDNS	06ALL		4 15G	ASGI_14_009	TO->FROM	FPL SWITCH - WOODWARD 138KV CKT 1	133	153	0.04143	132.9341	STLN-DEMARC6 - SWEETWATER 230KV CKT 1
FDNS	06ALL		4 15G	ASGI_14_009	TO->FROM	FPL SWITCH - WOODWARD 138KV CKT 1	133	153	0.0343	130.4008	GRAPEVINE INTERCHANGE - NICHOLS STATION 230KV CKT 1
FDNS	06ALL		4 15G	ASGI_14_009	TO->FROM	FPL SWITCH - WOODWARD 138KV CKT 1	133	153	0.03187	130.0269	WOODWARD - WOODWARD 69KV CKT 1
FDNS	06ALL		4 15G	ASGI_14_009	TO->FROM	FPL SWITCH - WOODWARD 138KV CKT 1	133	153	0.03464	126.1489	THISTLE7 345.00 - WOODWARD DISTRICT EHV 345KV CKT 1
FDNS	06ALL		4 15G	ASGI_14_009	TO->FROM	FPL SWITCH - WOODWARD 138KV CKT 1	133	153	0.03464	126.1489	THISTLE7 345.00 - WOODWARD DISTRICT EHV 345KV CKT 2
FDNS	06ALL		4 15G	ASGI_14_009	TO->FROM	FPL SWITCH - WOODWARD 138KV CKT 1	133	153	0.03409	124.4764	FINNEY SWITCHING STATION - HOLCOMB 345KV CKT 1
FDNS	06ALL		4 15G	ASGI_14_009	TO->FROM	FPL SWITCH - WOODWARD 138KV CKT 1	133	153	0.03171	124.1911	THISTLE7 345.00 - WICHITA 345KV CKT 1
FDNS	06ALL		4 15G	ASGI_14_009	TO->FROM	FPL SWITCH - WOODWARD 138KV CKT 1	133	153	0.03171	124.1911	THISTLE7 345.00 - WICHITA 345KV CKT 2
FDNS	06ALL		4 15G	ASGI_14_009	TO->FROM	FPL SWITCH - WOODWARD 138KV CKT 1	133	153	0.03409	123.2349	SPP-SWPS-05
FDNS	06ALL		4 15G	ASGI_14_009	TO->FROM	FPL SWITCH - WOODWARD 138KV CKT 1	133	153	0.03409	123.1767	FINNEY SWITCHING STATION - Hitchland Interchange 345KV CKT 1
FDNS	06ALL		4 15G	ASGI_14_009	TO->FROM	FPL SWITCH - WOODWARD 138KV CKT 1	133	153	0.0315	120.7359	ELLIS 4 138.00 - RED HILLS WIND 138KV CKT 1
FDNS	06ALL		4 15G	ASGI_14_009	TO->FROM	FPL SWITCH - WOODWARD 138KV CKT 1	133	153	0.0315	118.208	ELLIS 4 138.00 - MOREWOOD SW 138KV CKT 1
FDNS	06ALL		4 15SP	ASGI_14_009	TO->FROM	FPL SWITCH - WOODWARD 138KV CKT 1	133	153	0.05682	111.727	DBL-THIS-WWR
FDNS	06ALL		4 15G	ASGI_14_009	TO->FROM	FPL SWITCH - WOODWARD 138KV CKT 1	133	153	0.0315	106.2134	ELK CITY - RED HILLS WIND 138KV CKT 1
FDNS	06ALL		4 15SP	ASGI_14_009	TO->FROM	FPL SWITCH - WOODWARD 138KV CKT 1	133	153	0.04837	105.3474	NORTHWEST - TATONGA7 345.00 345KV CKT 1
FDNS	06ALL		4 15SP	ASGI_14_009	TO->FROM	FPL SWITCH - WOODWARD 138KV CKT 1	133	153	0.05022	104.7642	LAWTON EASTSIDE - OKLAUNION 345KV CKT 1
FDNS	06ALL		4 15SP	ASGI_14_009	TO->FROM	FPL SWITCH - WOODWARD 138KV CKT 1	133	153	0.04837	102.5806	SPSCONT-05B
FDNS	06ALL		4 15SP	ASGI_14_009	TO->FROM	FPL SWITCH - WOODWARD 138KV CKT 1	133	153	0.04837	101.4405	SPSCONT-04
FDNS	06ALL		4 15SP	ASGI_14_009	TO->FROM	FPL SWITCH - WOODWARD 138KV CKT 1	133	153	0.04586	100.7966	DBL-THIS-WIC
FDNS	06ALL		4 15SP	ASGI_14_009	TO->FROM	FPL SWITCH - WOODWARD 138KV CKT 1	133	153	0.03517	97.7	WOODWARD (WOODWRD2) 138/69/13.2KV TRANSFORMER CKT 1
FDNS	06ALL		4 20WP	ASGI_14_009	TO->FROM	FPL SWITCH - WOODWARD 138KV CKT 1	171	185	0.05097	96.7	NORTHWEST - TATONGA7 345.00 345KV CKT 1
FDNS	06ALL		4 20WP	ASGI_14_009	TO->FROM	FPL SWITCH - WOODWARD 138KV CKT 1	171	185	0.06049	96	DBL-THIS-WWR

SOLUTION	GROUP	SCENARIO	SEASON	SOURCE	DIRECTION	MONITORED ELEMENT	RATEA (MVA)	RATEB(MVA)	TC%LOADING TDF (% MVA)	CONTINGENCY	
FDNS	06ALL	4	15G	ASGI_14_009	TO->FROM	GRAPEVINE INTERCHANGE - NICHOLS STATION 230KV CKT 1	319	351	0.10116	104.2251	LAWTON EASTSIDE - OKLAUNION 345KV CKT 1
FDNS	06ALL	4	20WP	ASGI_14_009	TO->FROM	GRAPEVINE INTERCHANGE - NICHOLS STATION 230KV CKT 1	329	361	0.1285	102.6177	LAWTON EASTSIDE - OKLAUNION 345KV CKT 1
FDNS	06ALL	4	15SP	ASGI_14_009	TO->FROM	GRAPEVINE INTERCHANGE - NICHOLS STATION 230KV CKT 1	319	351	0.10266	99.55219	LAWTON EASTSIDE - OKLAUNION 345KV CKT 1
FDNS	06ALL	4	15G	ASGI_14_009	FROM->TO	GRAPEVINE INTERCHANGE - STATELINE INTERCHANGE 230KV CKT 1	319	351	0.11261	96.19302	LAWTON EASTSIDE - OKLAUNION 345KV CKT 1
FDNS	06ALL	4	15G	ASGI_14_009	FROM->TO	HARPER - MILAN TAP 138KV CKT 1	138	143	0.03286	116.387	DBL-THIS-WIC
FDNS	06ALL	4	15SP	ASGI_14_009	FROM->TO	HARPER - MILAN TAP 138KV CKT 1	127	136	0.03308	104.4151	DBL-THIS-WIC
FDNS	06ALL	4	15WP	ASGI_14_009	FROM->TO	HARPER - MILAN TAP 138KV CKT 1	143	143	0.03311	102.7046	DBL-THIS-WIC
FDNS	06ALL	4	15SP	ASGI_14_009	FROM->TO	PLANT X STATION (WH ALM20171) 230/115/13.2KV TRANSFORMER CKT 1	252	252	0.09656	106.8107	NEWHART 230 - PLANT X STATION 230KV CKT 1
FDNS	06ALL	4	15SP	ASGI_14_009	FROM->TO	PLANT X STATION (WH ALM20171) 230/115/13.2KV TRANSFORMER CKT 1	252	252	0.05703	104.6633	LAMB COUNTY INTERCHANGE - TOLK STATION WEST 230KV CKT 1
FDNS	06ALL	4	15SP	ASGI_14_009	FROM->TO	PLANT X STATION (WH ALM20171) 230/115/13.2KV TRANSFORMER CKT 1	252	252	0.05703	104.6607	LAMB COUNTY INTERCHANGE (WH ALM20172) 230/115/13.2KV TRANSFORMER CKT 1
FDNS	06ALL	4	15SP	ASGI_14_009	FROM->TO	PLANT X STATION (WH ALM20171) 230/115/13.2KV TRANSFORMER CKT 1	252	252	0.05703	104.6607	SPP-SWPS-K37
FDNS	06ALL	4	15SP	ASGI_14_009	FROM->TO	PLANT X STATION (WH ALM20171) 230/115/13.2KV TRANSFORMER CKT 1	252	252	0.09656	104.1177	NEWHART 230 - PLANT X STATION 230KV CKT 1
FDNS	06ALL	4	15SP	ASGI_14_009	FROM->TO	PLANT X STATION (WH ALM20171) 230/115/13.2KV TRANSFORMER CKT 1	252	252	0.0828	102.241	DEAF SMITH COUNTY INTERCHANGE - PLANT X STATION 230KV CKT 1
FDNS	06ALL	4	15SP	ASGI_14_009	FROM->TO	PLANT X STATION (WH ALM20171) 230/115/13.2KV TRANSFORMER CKT 1	252	252	0.05703	102.223	LAMB COUNTY INTERCHANGE - TOLK STATION WEST 230KV CKT 1
FDNS	06ALL	4	15SP	ASGI_14_009	FROM->TO	PLANT X STATION (WH ALM20171) 230/115/13.2KV TRANSFORMER CKT 1	252	252	0.05703	102.2204	LAMB COUNTY INTERCHANGE (WH ALM20172) 230/115/13.2KV TRANSFORMER CKT 1
FDNS	06ALL	4	15SP	ASGI_14_009	FROM->TO	PLANT X STATION (WH ALM20171) 230/115/13.2KV TRANSFORMER CKT 1	252	252	0.05703	102.2204	SPP-SWPS-K37
FDNS	06ALL	4	15SP	ASGI_14_009	FROM->TO	PLANT X STATION (WH ALM20171) 230/115/13.2KV TRANSFORMER CKT 1	252	252	0.0828	99.5	DEAF SMITH COUNTY INTERCHANGE - PLANT X STATION 230KV CKT 1
FDNS	06ALL	4	15SP	ASGI_14_009	FROM->TO	PLANT X STATION (WH ALM20171) 230/115/13.2KV TRANSFORMER CKT 1	252	252	0.05489	95.4	GEN525493 1-PLANT X GEN #3
FDNS	06ALL	0	15G	ASGI_14_010	FROM->TO	CLEARWATER - GILL ENERGY CENTER WEST 138KV CKT 1	143	143	0.03293	100.5453	DBL-THIS-WIC
FDNS	06ALL	0	15G	ASGI_14_010	TO->FROM	CLEARWATER - MILAN TAP 138KV CKT 1	110	110	0.03293	140.1877	DBL-THIS-WIC
FDNS	06ALL	0	20WP	ASGI_14_010	TO->FROM	CLEARWATER - MILAN TAP 138KV CKT 1	110	110	0.03269	108.6601	DBL-THIS-WIC
FDNS	06ALL	0	15WP	ASGI_14_010	TO->FROM	CLEARWATER - MILAN TAP 138KV CKT 1	110	110	0.03319	106.268	DBL-THIS-WIC
FDNS	06ALL	0	15SP	ASGI_14_010	TO->FROM	CLEARWATER - MILAN TAP 138KV CKT 1	110	110	0.03316	100.0707	DBL-THIS-WIC
FDNS	06ALL	0	15SP	ASGI_14_010	FROM->TO	CURRY COUNTY INTERCHANGE - DEAF SMITH REC-#20 115KV CKT 1	96	96	0.06099	123.5747	DEAF SMITH COUNTY INTERCHANGE - PLANT X STATION 230KV CKT 1
FDNS	06ALL	0	20SP	ASGI_14_010	FROM->TO	CURRY COUNTY INTERCHANGE - DEAF SMITH REC-#20 115KV CKT 1	96	96	0.04476	106.7874	DEAF SMITH COUNTY INTERCHANGE - PLANT X STATION 230KV CKT 1
FDNS	06ALL	0	15SP	ASGI_14_010	FROM->TO	CURRY COUNTY INTERCHANGE - DEAF SMITH REC-#20 115KV CKT 1	96	96	0.0447	105.8568	LAWTON EASTSIDE - OKLAUNION 345KV CKT 1
FDNS	06ALL	0	15SP	ASGI_14_010	FROM->TO	CURRY COUNTY INTERCHANGE - DEAF SMITH REC-#20 115KV CKT 1	96	96	0.04514	97.6	SPP-SWPS-01
FDNS	06ALL	0	15SP	ASGI_14_010	FROM->TO	CURRY COUNTY INTERCHANGE - DEAF SMITH REC-#20 115KV CKT 1	96	96	0.0447	97.3	SPSCONT-01
FDNS	06ALL	0	15SP	ASGI_14_010	FROM->TO	CURRY COUNTY INTERCHANGE - DEAF SMITH REC-#20 115KV CKT 1	96	96	0.0447	97.2	OKLAUNION - TUCO INTERCHANGE 345KV CKT 1
FDNS	06ALL	0	15SP	ASGI_14_010	FROM->TO	CURRY COUNTY INTERCHANGE - DEAF SMITH REC-#20 115KV CKT 1	96	96	0.04596	96.1	NEWHART 230 - PLANT X STATION 230KV CKT 1
FDNS	06ALL	0	25SP	ASGI_14_010	FROM->TO	CURRY COUNTY INTERCHANGE - DEAF SMITH REC-#20 115KV CKT 1	96	96	0.04518	95.6	DEAF SMITH COUNTY INTERCHANGE - PLANT X STATION 230KV CKT 1
FDNS	06ALL	0	15SP	ASGI_14_010	TO->FROM	DEAF SMITH COUNTY INTERCHANGE - PLANT X STATION 230KV CKT 1	319	351	0.18516	109.7585	LAWTON EASTSIDE - OKLAUNION 345KV CKT 1
FDNS	06ALL	0	15SP	ASGI_14_010	TO->FROM	DEAF SMITH COUNTY INTERCHANGE - PLANT X STATION 230KV CKT 1	319	351	0.19943	97.5	NEWHART 230 - PLANT X STATION 230KV CKT 1
FDNS	06ALL	0	15SP	ASGI_14_010	TO->FROM	DEAF SMITH COUNTY INTERCHANGE - PLANT X STATION 230KV CKT 1	319	351	0.18775	96.9	SPP-SWPS-01
FDNS	06ALL	0	15SP	ASGI_14_010	TO->FROM	DEAF SMITH COUNTY INTERCHANGE - PLANT X STATION 230KV CKT 1	319	351	0.18516	96.3	SPSCONT-01
FDNS	06ALL	0	15SP	ASGI_14_010	TO->FROM	DEAF SMITH COUNTY INTERCHANGE - PLANT X STATION 230KV CKT 1	319	351	0.18516	96.1	OKLAUNION - TUCO INTERCHANGE 345KV CKT 1
FDNS	06ALL	0	15SP	ASGI_14_010	FROM->TO	DEAF SMITH REC-#20 - PARMER COUNTY SUB 115KV CKT 1	96	96	0.06099	110.3575	DEAF SMITH COUNTY INTERCHANGE - PLANT X STATION 230KV CKT 1
FDNS	06ALL	0	15SP	ASGI_14_010	TO->FROM	DEAF SMITH REC-#24 - PARMER COUNTY SUB 115KV CKT 1	96	96	0.06099	102.2169	DEAF SMITH COUNTY INTERCHANGE - PLANT X STATION 230KV CKT 1
FDNS	06ALL	0	15G	ASGI_14_010	FROM->TO	ELK CITY 230KV (ELKCTY-6) 230/138/13.8KV TRANSFORMER CKT 1	287	316	0.11305	107.0627	LAWTON EASTSIDE - OKLAUNION 345KV CKT 1
FDNS	06ALL	0	15G	ASGI_14_010	FROM->TO	ELK CITY 230KV (ELKCTY-6) 230/138/13.8KV TRANSFORMER CKT 1	287	316	0.11305	105.2129	LAWTON EASTSIDE - OKLAUNION 345KV CKT 1
FDNS	06ALL	0	15SP	ASGI_14_010	FROM->TO	ELK CITY 230KV (ELKCTY-6) 230/138/13.8KV TRANSFORMER CKT 1	272	316	0.12112	100.158	LAWTON EASTSIDE - OKLAUNION 345KV CKT 1
FDNS	06ALL	0	15WP	ASGI_14_010	FROM->TO	ELK CITY 230KV (ELKCTY-6) 230/138/13.8KV TRANSFORMER CKT 1	287	316	0.12466	100.0101	LAWTON EASTSIDE - OKLAUNION 345KV CKT 1
FDNS	06ALL	0	15SP	ASGI_14_010	FROM->TO	ELK CITY 230KV (ELKCTY-6) 230/138/13.8KV TRANSFORMER CKT 1	272	316	0.12112	98.72061	LAWTON EASTSIDE - OKLAUNION 345KV CKT 1
FDNS	06ALL	0	15WP	ASGI_14_010	FROM->TO	ELK CITY 230KV (ELKCTY-6) 230/138/13.8KV TRANSFORMER CKT 1	287	316	0.12466	98.59541	LAWTON EASTSIDE - OKLAUNION 345KV CKT 1
FDNS	06ALL	0	15G	ASGI_14_010	FROM->TO	ELK CITY 230KV (ELKCTY-6) 230/138/13.8KV TRANSFORMER CKT 1	287	316	0.09944	98.1	DBL-G1114-WW
FDNS	06ALL	0	15G	ASGI_14_010	FROM->TO	ELK CITY 230KV (ELKCTY-6) 230/138/13.8KV TRANSFORMER CKT 1	287	316	0.11305	97.8	SPSCONT-01
FDNS	06ALL	0	15G	ASGI_14_010	FROM->TO	ELK CITY 230KV (ELKCTY-6) 230/138/13.8KV TRANSFORMER CKT 1	287	316	0.1148	97.7	SPP-SWPS-01
FDNS	06ALL	0	15G	ASGI_14_010	FROM->TO	ELK CITY 230KV (ELKCTY-6) 230/138/13.8KV TRANSFORMER CKT 1	287	316	0.09944	96.9	DBL-BVR-G111
FDNS	06ALL	0	15G	ASGI_14_010	FROM->TO	ELK CITY 230KV (ELKCTY-6) 230/138/13.8KV TRANSFORMER CKT 1	287	316	0.09944	96.8	DBL-G1114-WW
FDNS	06ALL	0	15G	ASGI_14_010	FROM->TO	ELK CITY 230KV (ELKCTY-6) 230/138/13.8KV TRANSFORMER CKT 1	287	316	0.11305	96.7	SPSCONT-01
FDNS	06ALL	0	15G	ASGI_14_010	FROM->TO	ELK CITY 230KV (ELKCTY-6) 230/138/13.8KV TRANSFORMER CKT 1	287	316	0.1148	96.6	SPP-SWPS-01
FDNS	06ALL	0	15G	ASGI_14_010	FROM->TO	ELK CITY 230KV (ELKCTY-6) 230/138/13.8KV TRANSFORMER CKT 1	287	316	0.11305	96.5	OKLAUNION - TUCO INTERCHANGE 345KV CKT 1
FDNS	06ALL	0	15G	ASGI_14_010	FROM->TO	ELK CITY 230KV (ELKCTY-6) 230/138/13.8KV TRANSFORMER CKT 1	287	316	0.09944	95.7	DBL-BVR-G111
FDNS	06ALL	0	15G	ASGI_14_010	FROM->TO	ELK CITY 230KV (ELKCTY-6) 230/138/13.8KV TRANSFORMER CKT 1	287	316	0.11305	95.3	OKLAUNION - TUCO INTERCHANGE 345KV CKT 1
FDNS	06ALL	0	15SP	ASGI_14_010	TO->FROM	FLATRDRG3 - THISTLE4 138.00 138KV CKT 1	286	286	0.0478	98.2	DBL-THIS-WIC
FDNS	06ALL	0	15G	ASGI_14_010	TO->FROM	FPL SWITCH - WOODWARD 138KV CKT 1	133	153	0.04541	161.177	NORTHWEST - TATONGA7 345.00 345KV CKT 1
FDNS	06ALL	0	15G	ASGI_14_010	TO->FROM	FPL SWITCH - WOODWARD 138KV CKT 1	133	153	0.05347	159.4244	DBL-THIS-WWR
FDNS	06ALL	0	15G	ASGI_14_010	TO->FROM	FPL SWITCH - WOODWARD 138KV CKT 1	133	153	0.04541	157.7992	SPSCONT-05B
FDNS	06ALL	0	15G	ASGI_14_010	TO->FROM	FPL SWITCH - WOODWARD 138KV CKT 1	133	153	0.04541	157.271	SPSCONT-04
FDNS	06ALL	0	15G	ASGI_14_010	TO->FROM	FPL SWITCH - WOODWARD 138KV CKT 1	133	153	0.04289	154.1519	DBL-THIS-WIC
FDNS	06ALL	0	15G	ASGI_14_010	TO->FROM	FPL SWITCH - WOODWARD 138KV CKT 1	133	153	0.04701	152.6111	LAWTON EASTSIDE - OKLAUNION 345KV CKT 1
FDNSLock	06ALL	0	15G	ASGI_14_010	TO->FROM	FPL SWITCH - WOODWARD 138KV CKT 1	133	153	0.0454	147.3779	G11_051T 345.00 - TATONGA7 345.00 345KV CKT 1
FDNS	06ALL	0	15G	ASGI_14_010	TO->FROM	FPL SWITCH - WOODWARD 138KV CKT 1	133	153	0.0454	146.4061	G11_051T 345.00 - WOODWARD DISTRICT EHV 345KV CKT 1
FDNS	06ALL	0	15G	ASGI_14_010	TO->FROM	FPL SWITCH - WOODWARD 138KV CKT 1	133	153	0.03179	143.416	WOODWARD (WOODWRD2) 138/69/13.2KV TRANSFORMER CKT 1
FDNS	06ALL	0	15G	ASGI_14_010	TO->FROM	FPL SWITCH - WOODWARD 138KV CKT 1	133	153	0.0454	143.1258	SPSCONT-05AX
FDNS	06ALL	0	15G	ASGI_14_010	TO->FROM	FPL SWITCH - WOODWARD 138KV CKT 1	133	153	0.0416	142.5155	ELK CITY 230KV - SWEETWATER 230KV CKT 1
FDNS	06ALL	0	15G	ASGI_14_010	TO->FROM	FPL SWITCH - WOODWARD 138KV CKT 1	133	153	0.0416	142.4842	ELK CITY 230KV (ELKCTY-6) 230/138/13.8KV TRANSFORMER CKT 1
FDNS	06ALL	0	15G	ASGI_14_010	TO->FROM	FPL SWITCH - WOODWARD 138KV CKT 1	133	153	0.04701	141.4059	SPSCONT-01
FDNS	06ALL	0	15G	ASGI_14_010	TO->FROM	FPL SWITCH - WOODWARD 138KV CKT 1	133	153	0.04182	140.0428	SPP-SWPS-03
FDNS	06ALL	0	15G	ASGI_14_010	TO->FROM	FPL SWITCH - WOODWARD 138KV CKT 1	133	153	0.04701	139.1883	OKLAUNION - TUCO INTERCHANGE 345KV CKT 1
FDNS	06ALL	0	15G	ASGI_14_010	TO->FROM	FPL SWITCH - WOODWARD 138KV CKT 1	133	153	0.0416	138.8333	SPP-SWPS-02A
FDNS	06ALL	0	15G	ASGI_14_010	TO->FROM	FPL SWITCH - WOODWARD 138KV CKT 1	133	153	0.0416	138.6923	GRAPEVINE INTERCHANGE - STATELINE INTERCHANGE 230KV CKT 1

SOLUTION	GROUP	SCENARIO	SEASON	SOURCE	DIRECTION	MONITORED ELEMENT	RATEA (MVA)	RATEB(MVA)	TDF	TC%LOADING (% MVA)	CONTINGENCY
FDNS	06ALL	0	15G	ASGI_14_010	TO->FROM	FPL SWITCH - WOODWARD 138KV CKT 1	133	153	0.04642	138.6877	SPP-SWPS-01
FDNS	06ALL	0	15G	ASGI_14_010	TO->FROM	FPL SWITCH - WOODWARD 138KV CKT 1	133	153	0.03379	137.3732	IODINE - WOODWARD EHV 138KV CKT 1
FDNS	06ALL	0	15G	ASGI_14_010	TO->FROM	FPL SWITCH - WOODWARD 138KV CKT 1	133	153	0.03379	135.335	DEWEY - IODINE 138KV CKT 1
FDNS	06ALL	0	15G	ASGI_14_010	TO->FROM	FPL SWITCH - WOODWARD 138KV CKT 1	133	153	0.0416	133.3058	STATELINE INTERCHANGE - STLN-DEMARC6 230KV CKT 1
FDNS	06ALL	0	15G	ASGI_14_010	TO->FROM	FPL SWITCH - WOODWARD 138KV CKT 1	133	153	0.0416	133.0811	SPP-SWPS-02
FDNS	06ALL	0	15G	ASGI_14_010	TO->FROM	FPL SWITCH - WOODWARD 138KV CKT 1	133	153	0.0416	133.0154	STLN-DEMARC6 - SWEETWATER 230KV CKT 1
FDNS	06ALL	0	15G	ASGI_14_010	TO->FROM	FPL SWITCH - WOODWARD 138KV CKT 1	133	153	0.03433	130.54	GRAPEVINE INTERCHANGE - NICHOLS STATION 230KV CKT 1
FDNS	06ALL	0	15G	ASGI_14_010	TO->FROM	FPL SWITCH - WOODWARD 138KV CKT 1	133	153	0.03179	130.0405	WOODWARD - WOODWARD 69KV CKT 1
FDNS	06ALL	0	15G	ASGI_14_010	TO->FROM	FPL SWITCH - WOODWARD 138KV CKT 1	133	153	0.03455	126.126	THISTLE7 345.00 - WOODWARD DISTRICT EHV 345KV CKT 1
FDNS	06ALL	0	15G	ASGI_14_010	TO->FROM	FPL SWITCH - WOODWARD 138KV CKT 1	133	153	0.03455	126.126	THISTLE7 345.00 - WOODWARD DISTRICT EHV 345KV CKT 2
FDNS	06ALL	0	15G	ASGI_14_010	TO->FROM	FPL SWITCH - WOODWARD 138KV CKT 1	133	153	0.03406	124.5649	FINNEY SWITCHING STATION - HOLCOMB 345KV CKT 1
FDNS	06ALL	0	15G	ASGI_14_010	TO->FROM	FPL SWITCH - WOODWARD 138KV CKT 1	133	153	0.03164	124.1871	THISTLE7 345.00 - WICHITA 345KV CKT 1
FDNS	06ALL	0	15G	ASGI_14_010	TO->FROM	FPL SWITCH - WOODWARD 138KV CKT 1	133	153	0.03164	124.1871	THISTLE7 345.00 - WICHITA 345KV CKT 2
FDNS	06ALL	0	15G	ASGI_14_010	TO->FROM	FPL SWITCH - WOODWARD 138KV CKT 1	133	153	0.03406	123.3196	SPP-SWPS-05
FDNS	06ALL	0	15G	ASGI_14_010	TO->FROM	FPL SWITCH - WOODWARD 138KV CKT 1	133	153	0.03406	123.2614	FINNEY SWITCHING STATION - Hitchland Interchange 345KV CKT 1
FDNS	06ALL	0	15G	ASGI_14_010	TO->FROM	FPL SWITCH - WOODWARD 138KV CKT 1	133	153	0.03148	120.7972	ELLIS 4 138.00 - RED HILLS WIND 138KV CKT 1
FDNS	06ALL	0	15G	ASGI_14_010	TO->FROM	FPL SWITCH - WOODWARD 138KV CKT 1	133	153	0.03148	118.2357	ELLIS 4 138.00 - MOREWOOD SW 138KV CKT 1
FDNS	06ALL	0	15SP	ASGI_14_010	TO->FROM	FPL SWITCH - WOODWARD 138KV CKT 1	133	153	0.05671	111.3808	DBL-THIS-WWR
FDNSLock	06ALL	0	15G	ASGI_14_010	TO->FROM	FPL SWITCH - WOODWARD 138KV CKT 1	133	153	0.03148	105.8896	ELK CITY - RED HILLS WIND 138KV CKT 1
FDNS	06ALL	0	15SP	ASGI_14_010	TO->FROM	FPL SWITCH - WOODWARD 138KV CKT 1	133	153	0.04834	105.3952	NORTHWEST - TATONGA7 345.00 345KV CKT 1
FDNS	06ALL	0	15SP	ASGI_14_010	TO->FROM	FPL SWITCH - WOODWARD 138KV CKT 1	133	153	0.04999	104.8311	LAWTON EASTSIDE - OKLAUNION 345KV CKT 1
FDNS	06ALL	0	15SP	ASGI_14_010	TO->FROM	FPL SWITCH - WOODWARD 138KV CKT 1	133	153	0.04834	102.6277	SPSCONT-05B
FDNS	06ALL	0	15SP	ASGI_14_010	TO->FROM	FPL SWITCH - WOODWARD 138KV CKT 1	133	153	0.04834	101.4863	SPSCONT-04
FDNS	06ALL	0	15SP	ASGI_14_010	TO->FROM	FPL SWITCH - WOODWARD 138KV CKT 1	133	153	0.04581	100.8287	DBL-THIS-WIC
FDNS	06ALL	0	15SP	ASGI_14_010	TO->FROM	FPL SWITCH - WOODWARD 138KV CKT 1	133	153	0.03508	97.7	WOODWARD (WOODWRD2) 138/69/13.2KV TRANSFORMER CKT 1
FDNS	06ALL	0	20WP	ASGI_14_010	TO->FROM	FPL SWITCH - WOODWARD 138KV CKT 1	171	185	0.05093	96.8	NORTHWEST - TATONGA7 345.00 345KV CKT 1
FDNS	06ALL	0	20WP	ASGI_14_010	TO->FROM	FPL SWITCH - WOODWARD 138KV CKT 1	171	185	0.06042	96	DBL-THIS-WWR
FDNS	06ALL	0	15G	ASGI_14_010	TO->FROM	GRAPEVINE INTERCHANGE - NICHOLS STATION 230KV CKT 1	319	351	0.10156	104.4035	LAWTON EASTSIDE - OKLAUNION 345KV CKT 1
FDNS	06ALL	0	20WP	ASGI_14_010	TO->FROM	GRAPEVINE INTERCHANGE - NICHOLS STATION 230KV CKT 1	329	361	0.12829	102.8268	LAWTON EASTSIDE - OKLAUNION 345KV CKT 1
FDNS	06ALL	0	15SP	ASGI_14_010	TO->FROM	GRAPEVINE INTERCHANGE - NICHOLS STATION 230KV CKT 1	319	351	0.10311	99.65252	LAWTON EASTSIDE - OKLAUNION 345KV CKT 1
FDNS	06ALL	0	15G	ASGI_14_010	FROM->TO	GRAPEVINE INTERCHANGE - STATELINE INTERCHANGE 230KV CKT 1	319	351	0.11305	96.46441	LAWTON EASTSIDE - OKLAUNION 345KV CKT 1
FDNS	06ALL	0	15G	ASGI_14_010	FROM->TO	HARPER - MILAN TAP 138KV CKT 1	138	143	0.03293	116.5991	DBL-THIS-WIC
FDNS	06ALL	0	15SP	ASGI_14_010	FROM->TO	HARPER - MILAN TAP 138KV CKT 1	127	136	0.03316	104.5127	DBL-THIS-WIC
FDNS	06ALL	0	15WP	ASGI_14_010	FROM->TO	HARPER - MILAN TAP 138KV CKT 1	143	143	0.03319	102.8215	DBL-THIS-WIC
FDNS	06ALL	0	15WP	ASGI_14_010	TO->FROM	PLANT X STATION - TOLK STATION EAST 230KV CKT 2	557	557	0.27705	99.8	PLANT X STATION - TOLK STATION WEST 230KV CKT 1
FDNS	06ALL	0	20SP	ASGI_14_010	TO->FROM	PLANT X STATION - TOLK STATION EAST 230KV CKT 2	478	502	0.19008	96.1	PLANT X STATION - TOLK STATION WEST 230KV CKT 1
FDNS	06ALL	0	20SP	ASGI_14_010	TO->FROM	PLANT X STATION - TOLK STATION WEST 230KV CKT 1	478	502	0.19195	96.8	PLANT X STATION - TOLK STATION EAST 230KV CKT 2
FDNS	06ALL	0	15SP	ASGI_14_010	FROM->TO	PLANT X STATION (WH ALM20171) 230/115/13.2KV TRANSFORMER CKT 1	252	252	0.0957	106.868	NEWHART 230 - PLANT X STATION 230KV CKT 1
FDNS	06ALL	0	15SP	ASGI_14_010	FROM->TO	PLANT X STATION (WH ALM20171) 230/115/13.2KV TRANSFORMER CKT 1	252	252	0.05614	104.7391	SPP-SWPS-K37
FDNS	06ALL	0	15SP	ASGI_14_010	FROM->TO	PLANT X STATION (WH ALM20171) 230/115/13.2KV TRANSFORMER CKT 1	252	252	0.05614	104.739	LAMB COUNTY INTERCHANGE (WH ALM20172) 230/115/13.2KV TRANSFORMER CKT 1
FDNS	06ALL	0	15SP	ASGI_14_010	FROM->TO	PLANT X STATION (WH ALM20171) 230/115/13.2KV TRANSFORMER CKT 1	252	252	0.05614	104.7164	LAMB COUNTY INTERCHANGE - TOLK STATION WEST 230KV CKT 1
FDNS	06ALL	0	15SP	ASGI_14_010	FROM->TO	PLANT X STATION (WH ALM20171) 230/115/13.2KV TRANSFORMER CKT 1	252	252	0.0957	104.1846	NEWHART 230 - PLANT X STATION 230KV CKT 1
FDNS	06ALL	0	15SP	ASGI_14_010	FROM->TO	PLANT X STATION (WH ALM20171) 230/115/13.2KV TRANSFORMER CKT 1	252	252	0.08241	102.4562	DEAF SMITH COUNTY INTERCHANGE - PLANT X STATION 230KV CKT 1
FDNS	06ALL	0	15SP	ASGI_14_010	FROM->TO	PLANT X STATION (WH ALM20171) 230/115/13.2KV TRANSFORMER CKT 1	252	252	0.05614	102.3057	SPP-SWPS-K37
FDNS	06ALL	0	15SP	ASGI_14_010	FROM->TO	PLANT X STATION (WH ALM20171) 230/115/13.2KV TRANSFORMER CKT 1	252	252	0.05614	102.3056	LAMB COUNTY INTERCHANGE (WH ALM20172) 230/115/13.2KV TRANSFORMER CKT 1
FDNS	06ALL	0	15SP	ASGI_14_010	FROM->TO	PLANT X STATION (WH ALM20171) 230/115/13.2KV TRANSFORMER CKT 1	252	252	0.05614	102.2824	LAMB COUNTY INTERCHANGE - TOLK STATION WEST 230KV CKT 1
FDNS	06ALL	0	15SP	ASGI_14_010	FROM->TO	PLANT X STATION (WH ALM20171) 230/115/13.2KV TRANSFORMER CKT 1	252	252	0.08241	99.7	DEAF SMITH COUNTY INTERCHANGE - PLANT X STATION 230KV CKT 1
FDNS	06ALL	0	15SP	ASGI_14_010	FROM->TO	PLANT X STATION (WH ALM20171) 230/115/13.2KV TRANSFORMER CKT 1	252	252	0.05433	95.5	GEN525493 1-PLANT X GEN #3
FDNS	06ALL	0	20WP	ASGI_14_010	FROM->TO	TUCO INTERCHANGE (GE M1022338) 345/230/13.2KV TRANSFORMER CKT 1	560	560	0.11116	106.7638	TUCO INTERCHANGE (SIEM 8743066) 345/230/13.2KV TRANSFORMER CKT 2
FDNS	06ALL	0	20WP	ASGI_14_010	FROM->TO	TUCO INTERCHANGE (GE M1022338) 345/230/13.2KV TRANSFORMER CKT 1	560	560	0.11116	104.8093	TUCO INTERCHANGE (SIEM 8743066) 345/230/13.2KV TRANSFORMER CKT 2
FDNS	06ALL	2	15G	ASGI_14_010	FROM->TO	CLEARWATER - GILL ENERGY CENTER WEST 138KV CKT 1	143	143	0.03282	100.3876	DBL-THIS-WIC
FDNS	06ALL	2	15G	ASGI_14_010	TO->FROM	CLEARWATER - MILAN TAP 138KV CKT 1	110	110	0.03282	139.9774	DBL-THIS-WIC
FDNS	06ALL	2	20WP	ASGI_14_010	TO->FROM	CLEARWATER - MILAN TAP 138KV CKT 1	110	110	0.03267	108.5614	DBL-THIS-WIC
FDNS	06ALL	2	15WP	ASGI_14_010	TO->FROM	CLEARWATER - MILAN TAP 138KV CKT 1	110	110	0.03307	106.1489	DBL-THIS-WIC
FDNS	06ALL	2	15SP	ASGI_14_010	TO->FROM	CLEARWATER - MILAN TAP 138KV CKT 1	110	110	0.03305	100	DBL-THIS-WIC
FDNS	06ALL	2	15SP	ASGI_14_010	FROM->TO	CURRY COUNTY INTERCHANGE - DEAF SMITH REC-#20 115KV CKT 1	96	96	0.06062	123.1635	DEAF SMITH COUNTY INTERCHANGE - PLANT X STATION 230KV CKT 1
FDNS	06ALL	2	20SP	ASGI_14_010	FROM->TO	CURRY COUNTY INTERCHANGE - DEAF SMITH REC-#20 115KV CKT 1	96	96	0.04474	106.7095	DEAF SMITH COUNTY INTERCHANGE - PLANT X STATION 230KV CKT 1
FDNS	06ALL	2	15SP	ASGI_14_010	FROM->TO	CURRY COUNTY INTERCHANGE - DEAF SMITH REC-#20 115KV CKT 1	96	96	0.04464	105.7855	LAWTON EASTSIDE - OKLAUNION 345KV CKT 1
FDNS	06ALL	2	15SP	ASGI_14_010	FROM->TO	CURRY COUNTY INTERCHANGE - DEAF SMITH REC-#20 115KV CKT 1	96	96	0.04484	97.4	SPP-SWPS-01
FDNS	06ALL	2	15SP	ASGI_14_010	FROM->TO	CURRY COUNTY INTERCHANGE - DEAF SMITH REC-#20 115KV CKT 1	96	96	0.04464	97.2	SPSCONT-01
FDNS	06ALL	2	15SP	ASGI_14_010	FROM->TO	CURRY COUNTY INTERCHANGE - DEAF SMITH REC-#20 115KV CKT 1	96	96	0.04464	97.1	OKLAUNION - TUCO INTERCHANGE 345KV CKT 1
FDNS	06ALL	2	15SP	ASGI_14_010	FROM->TO	CURRY COUNTY INTERCHANGE - DEAF SMITH REC-#20 115KV CKT 1	96	96	0.04581	95.9	NEWHART 230 - PLANT X STATION 230KV CKT 1
FDNS	06ALL	2	25SP	ASGI_14_010	FROM->TO	CURRY COUNTY INTERCHANGE - DEAF SMITH REC-#20 115KV CKT 1	96	96	0.04515	95.5	DEAF SMITH COUNTY INTERCHANGE - PLANT X STATION 230KV CKT 1
FDNS	06ALL	2	15SP	ASGI_14_010	TO->FROM	DEAF SMITH COUNTY INTERCHANGE - PLANT X STATION 230KV CKT 1	319	351	0.18469	109.6348	LAWTON EASTSIDE - OKLAUNION 345KV CKT 1
FDNS	06ALL	2	15SP	ASGI_14_010	TO->FROM	DEAF SMITH COUNTY INTERCHANGE - PLANT X STATION 230KV CKT 1	319	351	0.19839	97.1	NEWHART 230 - PLANT X STATION 230KV CKT 1
FDNS	06ALL	2	15SP	ASGI_14_010	TO->FROM	DEAF SMITH COUNTY INTERCHANGE - PLANT X STATION 230KV CKT 1	319	351	0.18584	96.4	SPP-SWPS-01
FDNS	06ALL	2	15SP	ASGI_14_010	TO->FROM	DEAF SMITH COUNTY INTERCHANGE - PLANT X STATION 230KV CKT 1	319	351	0.18469	96.1	SPSCONT-01
FDNS	06ALL	2	15SP	ASGI_14_010	TO->FROM	DEAF SMITH COUNTY INTERCHANGE - PLANT X STATION 230KV CKT 1	319	351	0.18469	96	OKLAUNION - TUCO INTERCHANGE 345KV CKT 1
FDNS	06ALL	2	15SP	ASGI_14_010	FROM->TO	DEAF SMITH REC-#20 - PARMER COUNTY SUB 115KV CKT 1	96	96	0.06062	109.9541	DEAF SMITH COUNTY INTERCHANGE - PLANT X STATION 230KV CKT 1
FDNS	06ALL	2	15SP	ASGI_14_010	TO->FROM	DEAF SMITH REC-#24 - PARMER COUNTY SUB 115KV CKT 1	96	96	0.06062	101.8097	DEAF SMITH COUNTY INTERCHANGE - PLANT X STATION 230KV CKT 1
FDNS	06ALL	2	15G	ASGI_14_010	FROM->TO	ELK CITY 230KV (ELKCTY-6) 230/138/13.8KV TRANSFORMER CKT 1	287	316	0.11244	106.8055	LAWTON EASTSIDE - OKLAUNION 345KV CKT 1
FDNS	06ALL	2	15G	ASGI_14_010	FROM->TO	ELK CITY 230KV (ELKCTY-6) 230/138/13.8KV TRANSFORMER CKT 1	287	316	0.11244	104.9756	LAWTON EASTSIDE - OKLAUNION 345KV CKT 1

SOLUTION	GROUP	SCENARIO	SEASON	SOURCE	DIRECTION	MONITORED ELEMENT	RATEA (MVA)	RATEB (MVA)	TC%LOADING TDF	CONTINGENCY	
FDNS	06ALL	2	15SP	ASGI_14_010	FROM->TO	ELK CITY 230KV (ELKCTY-6) 230/138/13.8KV TRANSFORMER CKT 1	272	316	0.12048	100.0284	LAWTON EASTSIDE - OKLAUNION 345KV CKT 1
FDNS	06ALL	2	15WP	ASGI_14_010	FROM->TO	ELK CITY 230KV (ELKCTY-6) 230/138/13.8KV TRANSFORMER CKT 1	287	316	0.124	99.83074	LAWTON EASTSIDE - OKLAUNION 345KV CKT 1
FDNS	06ALL	2	15SP	ASGI_14_010	FROM->TO	ELK CITY 230KV (ELKCTY-6) 230/138/13.8KV TRANSFORMER CKT 1	272	316	0.12048	98.59394	LAWTON EASTSIDE - OKLAUNION 345KV CKT 1
FDNS	06ALL	2	15WP	ASGI_14_010	FROM->TO	ELK CITY 230KV (ELKCTY-6) 230/138/13.8KV TRANSFORMER CKT 1	287	316	0.124	98.42802	LAWTON EASTSIDE - OKLAUNION 345KV CKT 1
FDNS	06ALL	2	15G	ASGI_14_010	FROM->TO	ELK CITY 230KV (ELKCTY-6) 230/138/13.8KV TRANSFORMER CKT 1	287	316	0.11244	97.6	SPSCONT-01
FDNS	06ALL	2	15G	ASGI_14_010	FROM->TO	ELK CITY 230KV (ELKCTY-6) 230/138/13.8KV TRANSFORMER CKT 1	287	316	0.09708	96.8	DBL-G1114-WW
FDNS	06ALL	2	15G	ASGI_14_010	FROM->TO	ELK CITY 230KV (ELKCTY-6) 230/138/13.8KV TRANSFORMER CKT 1	287	316	0.11305	96.7	SPP-SWPS-01
FDNS	06ALL	2	15G	ASGI_14_010	FROM->TO	ELK CITY 230KV (ELKCTY-6) 230/138/13.8KV TRANSFORMER CKT 1	287	316	0.11244	96.5	SPSCONT-01
FDNS	06ALL	2	15G	ASGI_14_010	FROM->TO	ELK CITY 230KV (ELKCTY-6) 230/138/13.8KV TRANSFORMER CKT 1	287	316	0.11244	96.2	OKLAUNION - TUCO INTERCHANGE 345KV CKT 1
FDNS	06ALL	2	15G	ASGI_14_010	FROM->TO	ELK CITY 230KV (ELKCTY-6) 230/138/13.8KV TRANSFORMER CKT 1	287	316	0.11305	95.7	SPP-SWPS-01
FDNS	06ALL	2	15G	ASGI_14_010	FROM->TO	ELK CITY 230KV (ELKCTY-6) 230/138/13.8KV TRANSFORMER CKT 1	287	316	0.09708	95.6	DBL-G1114-WW
FDNS	06ALL	2	15G	ASGI_14_010	FROM->TO	ELK CITY 230KV (ELKCTY-6) 230/138/13.8KV TRANSFORMER CKT 1	287	316	0.09708	95.5	DBL-BVR-G111
FDNS	06ALL	2	15G	ASGI_14_010	FROM->TO	ELK CITY 230KV (ELKCTY-6) 230/138/13.8KV TRANSFORMER CKT 1	287	316	0.11244	95.1	OKLAUNION - TUCO INTERCHANGE 345KV CKT 1
FDNS	06ALL	2	15SP	ASGI_14_010	TO->FROM	FLATRDG3 - THISTLE4 138.00 138KV CKT 1	286	286	0.0477	98.1	DBL-THIS-WIC
FDNS	06ALL	2	15G	ASGI_14_010	TO->FROM	FPL SWITCH - WOODWARD 138KV CKT 1	133	153	0.04538	161.0764	NORTHWEST - TATONGA7 345.00 345KV CKT 1
FDNS	06ALL	2	15G	ASGI_14_010	TO->FROM	FPL SWITCH - WOODWARD 138KV CKT 1	133	153	0.05353	159.4718	DBL-THIS-WWR
FDNS	06ALL	2	15G	ASGI_14_010	TO->FROM	FPL SWITCH - WOODWARD 138KV CKT 1	133	153	0.04538	157.784	SPSCONT-05B
FDNS	06ALL	2	15G	ASGI_14_010	TO->FROM	FPL SWITCH - WOODWARD 138KV CKT 1	133	153	0.04538	157.1004	SPSCONT-04
FDNS	06ALL	2	15G	ASGI_14_010	TO->FROM	FPL SWITCH - WOODWARD 138KV CKT 1	133	153	0.04289	154.0923	DBL-THIS-WIC
FDNS	06ALL	2	15G	ASGI_14_010	TO->FROM	FPL SWITCH - WOODWARD 138KV CKT 1	133	153	0.04721	152.7189	LAWTON EASTSIDE - OKLAUNION 345KV CKT 1
FDNS	06ALL	2	15G	ASGI_14_010	TO->FROM	FPL SWITCH - WOODWARD 138KV CKT 1	133	153	0.04538	147.5378	G11_051T 345.00 - TATONGA7 345.00 345KV CKT 1
FDNS	06ALL	2	15G	ASGI_14_010	TO->FROM	FPL SWITCH - WOODWARD 138KV CKT 1	133	153	0.04538	146.3224	G11_051T 345.00 - WOODWARD DISTRICT EHV 345KV CKT 1
FDNS	06ALL	2	15G	ASGI_14_010	TO->FROM	FPL SWITCH - WOODWARD 138KV CKT 1	133	153	0.03183	143.4813	WOODWARD (WOODWRD2) 138/69/13.2KV TRANSFORMER CKT 1
FDNS	06ALL	2	15G	ASGI_14_010	TO->FROM	FPL SWITCH - WOODWARD 138KV CKT 1	133	153	0.04538	143.1119	SPSCONT-05AX
FDNS	06ALL	2	15G	ASGI_14_010	TO->FROM	FPL SWITCH - WOODWARD 138KV CKT 1	133	153	0.04137	142.197	ELK CITY 230KV - SWEETWATER 230KV CKT 1
FDNS	06ALL	2	15G	ASGI_14_010	TO->FROM	FPL SWITCH - WOODWARD 138KV CKT 1	133	153	0.04137	142.1652	ELK CITY 230KV (ELKCTY-6) 230/138/13.8KV TRANSFORMER CKT 1
FDNS	06ALL	2	15G	ASGI_14_010	TO->FROM	FPL SWITCH - WOODWARD 138KV CKT 1	133	153	0.04721	141.5791	SPSCONT-01
FDNS	06ALL	2	15G	ASGI_14_010	TO->FROM	FPL SWITCH - WOODWARD 138KV CKT 1	133	153	0.04159	139.7583	SPP-SWPS-03
FDNS	06ALL	2	15G	ASGI_14_010	TO->FROM	FPL SWITCH - WOODWARD 138KV CKT 1	133	153	0.04721	139.3711	OKLAUNION - TUCO INTERCHANGE 345KV CKT 1
FDNS	06ALL	2	15G	ASGI_14_010	TO->FROM	FPL SWITCH - WOODWARD 138KV CKT 1	133	153	0.047	139.1429	SPP-SWPS-01
FDNS	06ALL	2	15G	ASGI_14_010	TO->FROM	FPL SWITCH - WOODWARD 138KV CKT 1	133	153	0.04137	138.6541	SPP-SWPS-02A
FDNS	06ALL	2	15G	ASGI_14_010	TO->FROM	FPL SWITCH - WOODWARD 138KV CKT 1	133	153	0.04137	138.3635	GRAPEVINE INTERCHANGE - STATELINE INTERCHANGE 230KV CKT 1
FDNSLock	06ALL	2	15G	ASGI_14_010	TO->FROM	FPL SWITCH - WOODWARD 138KV CKT 1	133	153	0.03382	137.0502	IODINE - WOODWARD EHV 138KV CKT 1
FDNS	06ALL	2	15G	ASGI_14_010	TO->FROM	FPL SWITCH - WOODWARD 138KV CKT 1	133	153	0.03382	135.4149	DEWEY - IODINE 138KV CKT 1
FDNS	06ALL	2	15G	ASGI_14_010	TO->FROM	FPL SWITCH - WOODWARD 138KV CKT 1	133	153	0.04137	132.7991	STATELINE INTERCHANGE - STLN-DEMARC6 230KV CKT 1
FDNS	06ALL	2	15G	ASGI_14_010	TO->FROM	FPL SWITCH - WOODWARD 138KV CKT 1	133	153	0.04137	132.7953	SPP-SWPS-02
FDNS	06ALL	2	15G	ASGI_14_010	TO->FROM	FPL SWITCH - WOODWARD 138KV CKT 1	133	153	0.04137	132.7834	STLN-DEMARC6 - SWEETWATER 230KV CKT 1
FDNS	06ALL	2	15G	ASGI_14_010	TO->FROM	FPL SWITCH - WOODWARD 138KV CKT 1	133	153	0.03425	130.4683	GRAPEVINE INTERCHANGE - NICHOLS STATION 230KV CKT 1
FDNS	06ALL	2	15G	ASGI_14_010	TO->FROM	FPL SWITCH - WOODWARD 138KV CKT 1	133	153	0.03183	130.1106	WOODWARD - WOODWARD 69KV CKT 1
FDNS	06ALL	2	15G	ASGI_14_010	TO->FROM	FPL SWITCH - WOODWARD 138KV CKT 1	133	153	0.0346	126.1934	THISTLE7 345.00 - WOODWARD DISTRICT EHV 345KV CKT 1
FDNS	06ALL	2	15G	ASGI_14_010	TO->FROM	FPL SWITCH - WOODWARD 138KV CKT 1	133	153	0.0346	126.1934	THISTLE7 345.00 - WOODWARD DISTRICT EHV 345KV CKT 2
FDNS	06ALL	2	15G	ASGI_14_010	TO->FROM	FPL SWITCH - WOODWARD 138KV CKT 1	133	153	0.03404	124.5364	FINNEY SWITCHING STATION - HOLCOMB 345KV CKT 1
FDNS	06ALL	2	15G	ASGI_14_010	TO->FROM	FPL SWITCH - WOODWARD 138KV CKT 1	133	153	0.03167	124.2225	THISTLE7 345.00 - WICHITA 345KV CKT 1
FDNS	06ALL	2	15G	ASGI_14_010	TO->FROM	FPL SWITCH - WOODWARD 138KV CKT 1	133	153	0.03167	124.2225	THISTLE7 345.00 - WICHITA 345KV CKT 2
FDNS	06ALL	2	15G	ASGI_14_010	TO->FROM	FPL SWITCH - WOODWARD 138KV CKT 1	133	153	0.03404	123.294	SPP-SWPS-05
FDNS	06ALL	2	15G	ASGI_14_010	TO->FROM	FPL SWITCH - WOODWARD 138KV CKT 1	133	153	0.03404	123.2358	FINNEY SWITCHING STATION - Hitchland Interchange 345KV CKT 1
FDNS	06ALL	2	15G	ASGI_14_010	TO->FROM	FPL SWITCH - WOODWARD 138KV CKT 1	133	153	0.03146	120.7881	ELLIS 4 138.00 - RED HILLS WIND 138KV CKT 1
FDNS	06ALL	2	15G	ASGI_14_010	TO->FROM	FPL SWITCH - WOODWARD 138KV CKT 1	133	153	0.03146	118.2424	ELLIS 4 138.00 - MOREWOOD SW 138KV CKT 1
FDNS	06ALL	2	15SP	ASGI_14_010	TO->FROM	FPL SWITCH - WOODWARD 138KV CKT 1	133	153	0.05679	111.8037	DBL-THIS-WWR
FDNS	06ALL	2	15G	ASGI_14_010	TO->FROM	FPL SWITCH - WOODWARD 138KV CKT 1	133	153	0.03146	105.8822	ELK CITY - RED HILLS WIND 138KV CKT 1
FDNS	06ALL	2	15SP	ASGI_14_010	TO->FROM	FPL SWITCH - WOODWARD 138KV CKT 1	133	153	0.04834	105.4283	NORTHWEST - TATONGA7 345.00 345KV CKT 1
FDNS	06ALL	2	15SP	ASGI_14_010	TO->FROM	FPL SWITCH - WOODWARD 138KV CKT 1	133	153	0.0502	104.792	LAWTON EASTSIDE - OKLAUNION 345KV CKT 1
FDNS	06ALL	2	15SP	ASGI_14_010	TO->FROM	FPL SWITCH - WOODWARD 138KV CKT 1	133	153	0.04834	102.6609	SPSCONT-05B
FDNS	06ALL	2	15SP	ASGI_14_010	TO->FROM	FPL SWITCH - WOODWARD 138KV CKT 1	133	153	0.04834	101.5196	SPSCONT-04
FDNS	06ALL	2	15SP	ASGI_14_010	TO->FROM	FPL SWITCH - WOODWARD 138KV CKT 1	133	153	0.04583	100.868	DBL-THIS-WIC
FDNS	06ALL	2	15SP	ASGI_14_010	TO->FROM	FPL SWITCH - WOODWARD 138KV CKT 1	133	153	0.03514	97.8	WOODWARD (WOODWRD2) 138/69/13.2KV TRANSFORMER CKT 1
FDNS	06ALL	2	20WP	ASGI_14_010	TO->FROM	FPL SWITCH - WOODWARD 138KV CKT 1	171	185	0.05092	96.8	NORTHWEST - TATONGA7 345.00 345KV CKT 1
FDNS	06ALL	2	20WP	ASGI_14_010	TO->FROM	FPL SWITCH - WOODWARD 138KV CKT 1	171	185	0.06043	96.1	DBL-THIS-WWR
FDNS	06ALL	2	15G	ASGI_14_010	TO->FROM	GRAPEVINE INTERCHANGE - NICHOLS STATION 230KV CKT 1	319	351	0.10101	104.1544	LAWTON EASTSIDE - OKLAUNION 345KV CKT 1
FDNS	06ALL	2	20WP	ASGI_14_010	TO->FROM	GRAPEVINE INTERCHANGE - NICHOLS STATION 230KV CKT 1	329	361	0.12838	102.6379	LAWTON EASTSIDE - OKLAUNION 345KV CKT 1
FDNS	06ALL	2	15SP	ASGI_14_010	TO->FROM	GRAPEVINE INTERCHANGE - NICHOLS STATION 230KV CKT 1	319	351	0.10257	99.55632	LAWTON EASTSIDE - OKLAUNION 345KV CKT 1
FDNS	06ALL	2	15G	ASGI_14_010	FROM->TO	GRAPEVINE INTERCHANGE - STATELINE INTERCHANGE 230KV CKT 1	319	351	0.11244	96.1822	LAWTON EASTSIDE - OKLAUNION 345KV CKT 1
FDNS	06ALL	2	15G	ASGI_14_010	FROM->TO	HARPER - MILAN TAP 138KV CKT 1	138	143	0.03282	116.4392	DBL-THIS-WIC
FDNS	06ALL	2	15SP	ASGI_14_010	FROM->TO	HARPER - MILAN TAP 138KV CKT 1	127	136	0.03305	104.4461	DBL-THIS-WIC
FDNS	06ALL	2	15WP	ASGI_14_010	FROM->TO	HARPER - MILAN TAP 138KV CKT 1	143	143	0.03307	102.7312	DBL-THIS-WIC
FDNS	06ALL	2	15WP	ASGI_14_010	TO->FROM	PLANT X STATION - TOLK STATION EAST 230KV CKT 2	557	557	0.27674	99.7	PLANT X STATION - TOLK STATION WEST 230KV CKT 1
FDNS	06ALL	2	20SP	ASGI_14_010	TO->FROM	PLANT X STATION - TOLK STATION EAST 230KV CKT 2	478	502	0.19033	96.2	PLANT X STATION - TOLK STATION WEST 230KV CKT 1
FDNS	06ALL	2	20SP	ASGI_14_010	TO->FROM	PLANT X STATION - TOLK STATION WEST 230KV CKT 1	478	502	0.1922	96.9	PLANT X STATION - TOLK STATION EAST 230KV CKT 2
FDNS	06ALL	2	15SP	ASGI_14_010	FROM->TO	PLANT X STATION (WH ALM20171) 230/115/13.2KV TRANSFORMER CKT 1	252	252	0.09594	106.9543	NEWHART 230 - PLANT X STATION 230KV CKT 1
FDNS	06ALL	2	15SP	ASGI_14_010	FROM->TO	PLANT X STATION (WH ALM20171) 230/115/13.2KV TRANSFORMER CKT 1	252	252	0.05626	104.7846	LAMB COUNTY INTERCHANGE (WH ALM20172) 230/115/13.2KV TRANSFORMER CKT 1
FDNS	06ALL	2	15SP	ASGI_14_010	FROM->TO	PLANT X STATION (WH ALM20171) 230/115/13.2KV TRANSFORMER CKT 1	252	252	0.05626	104.7807	SPP-SWPS-K37
FDNS	06ALL	2	15SP	ASGI_14_010	FROM->TO	PLANT X STATION (WH ALM20171) 230/115/13.2KV TRANSFORMER CKT 1	252	252	0.05626	104.7599	LAMB COUNTY INTERCHANGE - TOLK STATION WEST 230KV CKT 1

SOLUTION	GROUP	SCENARIO	SEASON	SOURCE	DIRECTION	MONITORED ELEMENT	RATEA (MVA)	RATEB (MVA)	TDF	TC%LOADING (% MVA)	CONTINGENCY
FDNS	06ALL	2	15SP	ASGI_14_010	FROM->TO	PLANT X STATION (WH ALM20171) 230/115/13.2KV TRANSFORMER CKT 1	252	252	0.09594	104.2664	NEWHART 230 - PLANT X STATION 230KV CKT 1
FDNS	06ALL	2	15SP	ASGI_14_010	FROM->TO	PLANT X STATION (WH ALM20171) 230/115/13.2KV TRANSFORMER CKT 1	252	252	0.08228	102.3785	DEAF SMITH COUNTY INTERCHANGE - PLANT X STATION 230KV CKT 1
FDNS	06ALL	2	15SP	ASGI_14_010	FROM->TO	PLANT X STATION (WH ALM20171) 230/115/13.2KV TRANSFORMER CKT 1	252	252	0.05626	102.3506	LAMB COUNTY INTERCHANGE (WH ALM20172) 230/115/13.2KV TRANSFORMER CKT 1
FDNS	06ALL	2	15SP	ASGI_14_010	FROM->TO	PLANT X STATION (WH ALM20171) 230/115/13.2KV TRANSFORMER CKT 1	252	252	0.05626	102.3469	SPP-SWPS-K37
FDNS	06ALL	2	15SP	ASGI_14_010	FROM->TO	PLANT X STATION (WH ALM20171) 230/115/13.2KV TRANSFORMER CKT 1	252	252	0.05626	102.3256	LAMB COUNTY INTERCHANGE - TOLK STATION WEST 230KV CKT 1
FDNS	06ALL	2	15SP	ASGI_14_010	FROM->TO	PLANT X STATION (WH ALM20171) 230/115/13.2KV TRANSFORMER CKT 1	252	252	0.08228	99.6	DEAF SMITH COUNTY INTERCHANGE - PLANT X STATION 230KV CKT 1
FDNS	06ALL	2	15SP	ASGI_14_010	FROM->TO	PLANT X STATION (WH ALM20171) 230/115/13.2KV TRANSFORMER CKT 1	252	252	0.05443	95.6	GEN525493 1-PLANT X GEN #3
FDNS	06ALL	2	20WP	ASGI_14_010	FROM->TO	TUCO INTERCHANGE - TUCO_2 230.00 230KV CKT 1	329	361	0.1254	101.7389	SPP-SWPS-01
FDNS	06ALL	2	20WP	ASGI_14_010	FROM->TO	TUCO INTERCHANGE - TUCO_2 230.00 230KV CKT 1	329	361	0.12714	100.0723	TUCO INTERCHANGE (GE M1022338) 345/230/13.2KV TRANSFORMER CKT 1
FDNS	06ALL	2	15G	ASGI_14_010	FROM->TO	TUCO INTERCHANGE - TUCO_2 230.00 230KV CKT 1	319	351	0.15921	98.75284	LAWTON EASTSIDE - OKLAUNION 345KV CKT 1
FDNS	06ALL	2	15SP	ASGI_14_010	FROM->TO	TUCO INTERCHANGE - TUCO_2 230.00 230KV CKT 1	319	351	0.1936	96.5	TUCO INTERCHANGE - TUCO_2 345.00 345KV CKT 1
FDNS	06ALL	2	15WP	ASGI_14_010	FROM->TO	TUCO INTERCHANGE - TUCO_2 230.00 230KV CKT 1	329	361	0.2238	96.4	TUCO INTERCHANGE (GE M1022338) 345/230/13.2KV TRANSFORMER CKT 1
FDNS	06ALL	2	15WP	ASGI_14_010	FROM->TO	TUCO INTERCHANGE - TUCO_2 230.00 230KV CKT 1	329	361	0.21504	95.1	SPP-SWPS-01
FDNS	06ALL	3	15G	ASGI_14_010	FROM->TO	CLEARWATER - GILL ENERGY CENTER WEST 138KV CKT 1	143	143	0.03285	100.3353	DBL-THIS-WIC
FDNS	06ALL	3	15G	ASGI_14_010	TO->FROM	CLEARWATER - MILAN TAP 138KV CKT 1	110	110	0.03285	139.9081	DBL-THIS-WIC
FDNS	06ALL	3	20WP	ASGI_14_010	TO->FROM	CLEARWATER - MILAN TAP 138KV CKT 1	110	110	0.0327	108.5249	DBL-THIS-WIC
FDNS	06ALL	3	15WP	ASGI_14_010	TO->FROM	CLEARWATER - MILAN TAP 138KV CKT 1	110	110	0.0331	106.1126	DBL-THIS-WIC
FDNS	06ALL	3	15SP	ASGI_14_010	TO->FROM	CLEARWATER - MILAN TAP 138KV CKT 1	110	110	0.03307	99.9	DBL-THIS-WIC
FDNS	06ALL	3	15SP	ASGI_14_010	FROM->TO	CURRY COUNTY INTERCHANGE - DEAF SMITH REC-#20 115KV CKT 1	96	96	0.0606	120.7305	DEAF SMITH COUNTY INTERCHANGE - PLANT X STATION 230KV CKT 1
FDNS	06ALL	3	20SP	ASGI_14_010	FROM->TO	CURRY COUNTY INTERCHANGE - DEAF SMITH REC-#20 115KV CKT 1	96	96	0.04478	104.6276	DEAF SMITH COUNTY INTERCHANGE - PLANT X STATION 230KV CKT 1
FDNS	06ALL	3	15SP	ASGI_14_010	FROM->TO	CURRY COUNTY INTERCHANGE - DEAF SMITH REC-#20 115KV CKT 1	96	96	0.04462	103.3912	LAWTON EASTSIDE - OKLAUNION 345KV CKT 1
FDNS	06ALL	3	15SP	ASGI_14_010	TO->FROM	DEAF SMITH COUNTY INTERCHANGE - PLANT X STATION 230KV CKT 1	319	351	0.1848	109.4403	LAWTON EASTSIDE - OKLAUNION 345KV CKT 1
FDNS	06ALL	3	15SP	ASGI_14_010	TO->FROM	DEAF SMITH COUNTY INTERCHANGE - PLANT X STATION 230KV CKT 1	319	351	0.1985	96.9	NEWHART 230 - PLANT X STATION 230KV CKT 1
FDNS	06ALL	3	15SP	ASGI_14_010	TO->FROM	DEAF SMITH COUNTY INTERCHANGE - PLANT X STATION 230KV CKT 1	319	351	0.18595	96.2	SPP-SWPS-01
FDNS	06ALL	3	15SP	ASGI_14_010	TO->FROM	DEAF SMITH COUNTY INTERCHANGE - PLANT X STATION 230KV CKT 1	319	351	0.1848	96	SPSCONT-01
FDNS	06ALL	3	15SP	ASGI_14_010	TO->FROM	DEAF SMITH COUNTY INTERCHANGE - PLANT X STATION 230KV CKT 1	319	351	0.1848	95.8	OKLAUNION - TUCO INTERCHANGE 345KV CKT 1
FDNS	06ALL	3	15SP	ASGI_14_010	FROM->TO	DEAF SMITH REC-#20 - PARMER COUNTY SUB 115KV CKT 1	96	96	0.0606	107.5483	DEAF SMITH COUNTY INTERCHANGE - PLANT X STATION 230KV CKT 1
FDNS	06ALL	3	15SP	ASGI_14_010	TO->FROM	DEAF SMITH REC-#24 - PARMER COUNTY SUB 115KV CKT 1	96	96	0.0606	99.8	DEAF SMITH COUNTY INTERCHANGE - PLANT X STATION 230KV CKT 1
FDNS	06ALL	3	15G	ASGI_14_010	FROM->TO	ELK CITY 230KV (ELKCTY-6) 230/138/13.8KV TRANSFORMER CKT 1	287	316	0.11257	106.8002	LAWTON EASTSIDE - OKLAUNION 345KV CKT 1
FDNS	06ALL	3	15G	ASGI_14_010	FROM->TO	ELK CITY 230KV (ELKCTY-6) 230/138/13.8KV TRANSFORMER CKT 1	287	316	0.11257	104.9708	LAWTON EASTSIDE - OKLAUNION 345KV CKT 1
FDNS	06ALL	3	15SP	ASGI_14_010	FROM->TO	ELK CITY 230KV (ELKCTY-6) 230/138/13.8KV TRANSFORMER CKT 1	272	316	0.12055	100.0238	LAWTON EASTSIDE - OKLAUNION 345KV CKT 1
FDNS	06ALL	3	15WP	ASGI_14_010	FROM->TO	ELK CITY 230KV (ELKCTY-6) 230/138/13.8KV TRANSFORMER CKT 1	287	316	0.12411	99.80477	LAWTON EASTSIDE - OKLAUNION 345KV CKT 1
FDNS	06ALL	3	15SP	ASGI_14_010	FROM->TO	ELK CITY 230KV (ELKCTY-6) 230/138/13.8KV TRANSFORMER CKT 1	272	316	0.12055	98.58963	LAWTON EASTSIDE - OKLAUNION 345KV CKT 1
FDNS	06ALL	3	15WP	ASGI_14_010	FROM->TO	ELK CITY 230KV (ELKCTY-6) 230/138/13.8KV TRANSFORMER CKT 1	287	316	0.12411	98.40416	LAWTON EASTSIDE - OKLAUNION 345KV CKT 1
FDNS	06ALL	3	15G	ASGI_14_010	FROM->TO	ELK CITY 230KV (ELKCTY-6) 230/138/13.8KV TRANSFORMER CKT 1	287	316	0.11257	97.5	SPSCONT-01
FDNS	06ALL	3	15G	ASGI_14_010	FROM->TO	ELK CITY 230KV (ELKCTY-6) 230/138/13.8KV TRANSFORMER CKT 1	287	316	0.11318	96.7	SPP-SWPS-01
FDNS-CHECK-TC-Iteration Limit Exceeded.	06ALL	3	15G	ASGI_14_010	FROM->TO	ELK CITY 230KV (ELKCTY-6) 230/138/13.8KV TRANSFORMER CKT 1	287	316	0.09719	96.7	DBL-G1114-WW
FDNS	06ALL	3	15G	ASGI_14_010	FROM->TO	ELK CITY 230KV (ELKCTY-6) 230/138/13.8KV TRANSFORMER CKT 1	287	316	0.11257	96.5	SPSCONT-01
FDNS	06ALL	3	15G	ASGI_14_010	FROM->TO	ELK CITY 230KV (ELKCTY-6) 230/138/13.8KV TRANSFORMER CKT 1	287	316	0.11257	96.4	OKLAUNION - TUCO INTERCHANGE 345KV CKT 1
FDNS	06ALL	3	15G	ASGI_14_010	FROM->TO	ELK CITY 230KV (ELKCTY-6) 230/138/13.8KV TRANSFORMER CKT 1	287	316	0.09719	95.6	DBL-BVR-G111
FDNS-CHECK-TC-Iteration Limit Exceeded.	06ALL	3	15G	ASGI_14_010	FROM->TO	ELK CITY 230KV (ELKCTY-6) 230/138/13.8KV TRANSFORMER CKT 1	287	316	0.09719	95.6	DBL-G1114-WW
FDNS	06ALL	3	15G	ASGI_14_010	FROM->TO	ELK CITY 230KV (ELKCTY-6) 230/138/13.8KV TRANSFORMER CKT 1	287	316	0.11318	95.5	SPP-SWPS-01
FDNS	06ALL	3	15G	ASGI_14_010	FROM->TO	ELK CITY 230KV (ELKCTY-6) 230/138/13.8KV TRANSFORMER CKT 1	287	316	0.11257	95.3	OKLAUNION - TUCO INTERCHANGE 345KV CKT 1
FDNS	06ALL	3	15SP	ASGI_14_010	TO->FROM	FLATRDG3 - THISTLE4 138.00 138KV CKT 1	286	286	0.04773	98.1	DBL-THIS-WIC
FDNS	06ALL	3	15G	ASGI_14_010	TO->FROM	FPL SWITCH - WOODWARD 138KV CKT 1	133	153	0.04543	161.139	NORTHWEST - TATONGA7 345.00 345KV CKT 1
FDNS	06ALL	3	15G	ASGI_14_010	TO->FROM	FPL SWITCH - WOODWARD 138KV CKT 1	133	153	0.05359	159.4606	DBL-THIS-WWR
FDNS	06ALL	3	15G	ASGI_14_010	TO->FROM	FPL SWITCH - WOODWARD 138KV CKT 1	133	153	0.04543	157.7752	SPSCONT-05B
FDNS	06ALL	3	15G	ASGI_14_010	TO->FROM	FPL SWITCH - WOODWARD 138KV CKT 1	133	153	0.04543	157.1729	SPSCONT-04
FDNS	06ALL	3	15G	ASGI_14_010	TO->FROM	FPL SWITCH - WOODWARD 138KV CKT 1	133	153	0.04294	154.0712	DBL-THIS-WIC
FDNS	06ALL	3	15G	ASGI_14_010	TO->FROM	FPL SWITCH - WOODWARD 138KV CKT 1	133	153	0.04727	152.6468	LAWTON EASTSIDE - OKLAUNION 345KV CKT 1
FDNS	06ALL	3	15G	ASGI_14_010	TO->FROM	FPL SWITCH - WOODWARD 138KV CKT 1	133	153	0.04543	147.5252	G11_051T 345.00 - TATONGA7 345.00 345KV CKT 1
FDNS	06ALL	3	15G	ASGI_14_010	TO->FROM	FPL SWITCH - WOODWARD 138KV CKT 1	133	153	0.04543	146.2378	G11_051T 345.00 - WOODWARD DISTRICT EHV 345KV CKT 1
FDNS	06ALL	3	15G	ASGI_14_010	TO->FROM	FPL SWITCH - WOODWARD 138KV CKT 1	133	153	0.03187	143.417	WOODWARD (WOODWRD2) 138/69/13.2KV TRANSFORMER CKT 1
FDNS	06ALL	3	15G	ASGI_14_010	TO->FROM	FPL SWITCH - WOODWARD 138KV CKT 1	133	153	0.04543	143.0314	SPSCONT-05AX
FDNS	06ALL	3	15G	ASGI_14_010	TO->FROM	FPL SWITCH - WOODWARD 138KV CKT 1	133	153	0.04142	142.1867	ELK CITY 230KV - SWEETWATER 230KV CKT 1
FDNS	06ALL	3	15G	ASGI_14_010	TO->FROM	FPL SWITCH - WOODWARD 138KV CKT 1	133	153	0.04142	142.1522	ELK CITY 230KV (ELKCTY-6) 230/138/13.8KV TRANSFORMER CKT 1
FDNS	06ALL	3	15G	ASGI_14_010	TO->FROM	FPL SWITCH - WOODWARD 138KV CKT 1	133	153	0.04727	141.5408	SPSCONT-01
FDNS	06ALL	3	15G	ASGI_14_010	TO->FROM	FPL SWITCH - WOODWARD 138KV CKT 1	133	153	0.04164	139.7718	SPP-SWPS-03
FDNS	06ALL	3	15G	ASGI_14_010	TO->FROM	FPL SWITCH - WOODWARD 138KV CKT 1	133	153	0.04727	139.4068	OKLAUNION - TUCO INTERCHANGE 345KV CKT 1
FDNS	06ALL	3	15G	ASGI_14_010	TO->FROM	FPL SWITCH - WOODWARD 138KV CKT 1	133	153	0.04706	139.2189	SPP-SWPS-01
FDNS	06ALL	3	15G	ASGI_14_010	TO->FROM	FPL SWITCH - WOODWARD 138KV CKT 1	133	153	0.04142	138.5807	SPP-SWPS-02A
FDNS	06ALL	3	15G	ASGI_14_010	TO->FROM	FPL SWITCH - WOODWARD 138KV CKT 1	133	153	0.04142	138.419	GRAPEVINE INTERCHANGE - STATELINE INTERCHANGE 230KV CKT 1

SOLUTION	GROUP	SCENARIO	SEASON	SOURCE	DIRECTION	MONITORED ELEMENT	RATEA (MVA)	RATEB(MVA)	TC%LOADING TDF (% MVA)	CONTINGENCY	
FDNS	06ALL	3	15G	ASGI_14_010	TO->FROM	FPL SWITCH - WOODWARD 138KV CKT 1	133	153	0.03386	137.3554	IODINE - WOODWARD EHV 138KV CKT 1
FDNS	06ALL	3	15G	ASGI_14_010	TO->FROM	FPL SWITCH - WOODWARD 138KV CKT 1	133	153	0.03386	135.3142	DEWEY - IODINE 138KV CKT 1
FDNS	06ALL	3	15G	ASGI_14_010	TO->FROM	FPL SWITCH - WOODWARD 138KV CKT 1	133	153	0.04142	132.9488	STATELINE INTERCHANGE - STLN-DEMARC6 230KV CKT 1
FDNS	06ALL	3	15G	ASGI_14_010	TO->FROM	FPL SWITCH - WOODWARD 138KV CKT 1	133	153	0.04142	132.9455	SPP-SWPS-02
FDNS	06ALL	3	15G	ASGI_14_010	TO->FROM	FPL SWITCH - WOODWARD 138KV CKT 1	133	153	0.04142	132.9341	STLN-DEMARC6 - SWEETWATER 230KV CKT 1
FDNS	06ALL	3	15G	ASGI_14_010	TO->FROM	FPL SWITCH - WOODWARD 138KV CKT 1	133	153	0.03429	130.4008	GRAPEVINE INTERCHANGE - NICHOLS STATION 230KV CKT 1
FDNS	06ALL	3	15G	ASGI_14_010	TO->FROM	FPL SWITCH - WOODWARD 138KV CKT 1	133	153	0.03187	130.0269	WOODWARD - WOODWARD 69KV CKT 1
FDNS	06ALL	3	15G	ASGI_14_010	TO->FROM	FPL SWITCH - WOODWARD 138KV CKT 1	133	153	0.03464	126.1489	THISTLE7 345.00 - WOODWARD DISTRICT EHV 345KV CKT 1
FDNS	06ALL	3	15G	ASGI_14_010	TO->FROM	FPL SWITCH - WOODWARD 138KV CKT 1	133	153	0.03464	126.1489	THISTLE7 345.00 - WOODWARD DISTRICT EHV 345KV CKT 2
FDNS	06ALL	3	15G	ASGI_14_010	TO->FROM	FPL SWITCH - WOODWARD 138KV CKT 1	133	153	0.03408	124.4764	FINNEY SWITCHING STATION - HOLCOMB 345KV CKT 1
FDNS	06ALL	3	15G	ASGI_14_010	TO->FROM	FPL SWITCH - WOODWARD 138KV CKT 1	133	153	0.03171	124.1911	THISTLE7 345.00 - WICHITA 345KV CKT 1
FDNS	06ALL	3	15G	ASGI_14_010	TO->FROM	FPL SWITCH - WOODWARD 138KV CKT 1	133	153	0.03171	124.1911	THISTLE7 345.00 - WICHITA 345KV CKT 2
FDNS	06ALL	3	15G	ASGI_14_010	TO->FROM	FPL SWITCH - WOODWARD 138KV CKT 1	133	153	0.03408	123.2348	SPP-SWPS-05
FDNS	06ALL	3	15G	ASGI_14_010	TO->FROM	FPL SWITCH - WOODWARD 138KV CKT 1	133	153	0.03408	123.1767	FINNEY SWITCHING STATION - Hitchland Interchange 345KV CKT 1
FDNS	06ALL	3	15G	ASGI_14_010	TO->FROM	FPL SWITCH - WOODWARD 138KV CKT 1	133	153	0.03149	120.7358	ELLIS 4 138.00 - RED HILLS WIND 138KV CKT 1
FDNS	06ALL	3	15G	ASGI_14_010	TO->FROM	FPL SWITCH - WOODWARD 138KV CKT 1	133	153	0.03149	118.208	ELLIS 4 138.00 - MOREWOOD SW 138KV CKT 1
FDNS	06ALL	3	15SP	ASGI_14_010	TO->FROM	FPL SWITCH - WOODWARD 138KV CKT 1	133	153	0.05682	111.727	DBL-THIS-WWR
FDNS	06ALL	3	15G	ASGI_14_010	TO->FROM	FPL SWITCH - WOODWARD 138KV CKT 1	133	153	0.03149	106.2134	ELK CITY - RED HILLS WIND 138KV CKT 1
FDNS	06ALL	3	15SP	ASGI_14_010	TO->FROM	FPL SWITCH - WOODWARD 138KV CKT 1	133	153	0.04837	105.3474	NORTHWEST - TATONGA7 345.00 345KV CKT 1
FDNS	06ALL	3	15SP	ASGI_14_010	TO->FROM	FPL SWITCH - WOODWARD 138KV CKT 1	133	153	0.05024	104.763	LAWTON EASTSIDE - OKLAUNION 345KV CKT 1
FDNS	06ALL	3	15SP	ASGI_14_010	TO->FROM	FPL SWITCH - WOODWARD 138KV CKT 1	133	153	0.04837	102.5806	SPSCONT-05B
FDNS	06ALL	3	15SP	ASGI_14_010	TO->FROM	FPL SWITCH - WOODWARD 138KV CKT 1	133	153	0.04837	101.4405	SPSCONT-04
FDNS	06ALL	3	15SP	ASGI_14_010	TO->FROM	FPL SWITCH - WOODWARD 138KV CKT 1	133	153	0.04585	100.7966	DBL-THIS-WIC
FDNS	06ALL	3	15SP	ASGI_14_010	TO->FROM	FPL SWITCH - WOODWARD 138KV CKT 1	133	153	0.03517	97.7	WOODWARD (WOODWRD2) 138/69/13.2KV TRANSFORMER CKT 1
FDNS	06ALL	3	20WP	ASGI_14_010	TO->FROM	FPL SWITCH - WOODWARD 138KV CKT 1	171	185	0.05097	96.7	NORTHWEST - TATONGA7 345.00 345KV CKT 1
FDNS	06ALL	3	20WP	ASGI_14_010	TO->FROM	FPL SWITCH - WOODWARD 138KV CKT 1	171	185	0.06049	96	DBL-THIS-WWR
FDNS	06ALL	3	15G	ASGI_14_010	TO->FROM	GRAPEVINE INTERCHANGE - NICHOLS STATION 230KV CKT 1	319	351	0.10113	104.2251	LAWTON EASTSIDE - OKLAUNION 345KV CKT 1
FDNS	06ALL	3	20WP	ASGI_14_010	TO->FROM	GRAPEVINE INTERCHANGE - NICHOLS STATION 230KV CKT 1	329	361	0.12851	102.6177	LAWTON EASTSIDE - OKLAUNION 345KV CKT 1
FDNS	06ALL	3	15SP	ASGI_14_010	TO->FROM	GRAPEVINE INTERCHANGE - NICHOLS STATION 230KV CKT 1	319	351	0.10263	99.55151	LAWTON EASTSIDE - OKLAUNION 345KV CKT 1
FDNS	06ALL	3	15G	ASGI_14_010	FROM->TO	GRAPEVINE INTERCHANGE - STATELINE INTERCHANGE 230KV CKT 1	319	351	0.11257	96.19302	LAWTON EASTSIDE - OKLAUNION 345KV CKT 1
FDNS	06ALL	3	15G	ASGI_14_010	FROM->TO	HARPER - MILAN TAP 138KV CKT 1	138	143	0.03285	116.387	DBL-THIS-WIC
FDNS	06ALL	3	15SP	ASGI_14_010	FROM->TO	HARPER - MILAN TAP 138KV CKT 1	127	136	0.03307	104.4151	DBL-THIS-WIC
FDNS	06ALL	3	15WP	ASGI_14_010	FROM->TO	HARPER - MILAN TAP 138KV CKT 1	143	143	0.0331	102.7046	DBL-THIS-WIC
FDNS	06ALL	3	15WP	ASGI_14_010	TO->FROM	PLANT X STATION - TOLK STATION EAST 230KV CKT 2	557	557	0.27629	99.6	PLANT X STATION - TOLK STATION WEST 230KV CKT 1
FDNS	06ALL	3	20SP	ASGI_14_010	TO->FROM	PLANT X STATION - TOLK STATION EAST 230KV CKT 2	478	502	0.1907	96.2	PLANT X STATION - TOLK STATION WEST 230KV CKT 1
FDNS	06ALL	3	20SP	ASGI_14_010	TO->FROM	PLANT X STATION - TOLK STATION WEST 230KV CKT 1	478	502	0.19257	97	PLANT X STATION - TOLK STATION EAST 230KV CKT 2
FDNS	06ALL	3	15SP	ASGI_14_010	FROM->TO	PLANT X STATION (WH ALM20171) 230/115/13.2KV TRANSFORMER CKT 1	252	252	0.09595	106.8107	NEWHART 230 - PLANT X STATION 230KV CKT 1
FDNS	06ALL	3	15SP	ASGI_14_010	FROM->TO	PLANT X STATION (WH ALM20171) 230/115/13.2KV TRANSFORMER CKT 1	252	252	0.05622	104.6633	LAMB COUNTY INTERCHANGE - TOLK STATION WEST 230KV CKT 1
FDNS	06ALL	3	15SP	ASGI_14_010	FROM->TO	PLANT X STATION (WH ALM20171) 230/115/13.2KV TRANSFORMER CKT 1	252	252	0.05622	104.6607	LAMB COUNTY INTERCHANGE (WH ALM20172) 230/115/13.2KV TRANSFORMER CKT 1
FDNS	06ALL	3	15SP	ASGI_14_010	FROM->TO	PLANT X STATION (WH ALM20171) 230/115/13.2KV TRANSFORMER CKT 1	252	252	0.05622	104.6607	SPP-SWPS-K37
FDNS	06ALL	3	15SP	ASGI_14_010	FROM->TO	PLANT X STATION (WH ALM20171) 230/115/13.2KV TRANSFORMER CKT 1	252	252	0.09595	104.1177	NEWHART 230 - PLANT X STATION 230KV CKT 1
FDNS	06ALL	3	15SP	ASGI_14_010	FROM->TO	PLANT X STATION (WH ALM20171) 230/115/13.2KV TRANSFORMER CKT 1	252	252	0.08229	102.2408	DEAF SMITH COUNTY INTERCHANGE - PLANT X STATION 230KV CKT 1
FDNS	06ALL	3	15SP	ASGI_14_010	FROM->TO	PLANT X STATION (WH ALM20171) 230/115/13.2KV TRANSFORMER CKT 1	252	252	0.05622	102.2229	LAMB COUNTY INTERCHANGE - TOLK STATION WEST 230KV CKT 1
FDNS	06ALL	3	15SP	ASGI_14_010	FROM->TO	PLANT X STATION (WH ALM20171) 230/115/13.2KV TRANSFORMER CKT 1	252	252	0.05622	102.2204	LAMB COUNTY INTERCHANGE (WH ALM20172) 230/115/13.2KV TRANSFORMER CKT 1
FDNS	06ALL	3	15SP	ASGI_14_010	FROM->TO	PLANT X STATION (WH ALM20171) 230/115/13.2KV TRANSFORMER CKT 1	252	252	0.05622	102.2204	SPP-SWPS-K37
FDNS	06ALL	3	15SP	ASGI_14_010	FROM->TO	PLANT X STATION (WH ALM20171) 230/115/13.2KV TRANSFORMER CKT 1	252	252	0.08229	99.5	DEAF SMITH COUNTY INTERCHANGE - PLANT X STATION 230KV CKT 1
FDNS	06ALL	3	15SP	ASGI_14_010	FROM->TO	PLANT X STATION (WH ALM20171) 230/115/13.2KV TRANSFORMER CKT 1	252	252	0.05443	95.4	GEN525493 1-PLANT X GEN #3
FDNS	06ALL	4	15G	ASGI_14_010	FROM->TO	CLEARWATER - GILL ENERGY CENTER WEST 138KV CKT 1	143	143	0.03285	100.3353	DBL-THIS-WIC
FDNS	06ALL	4	15G	ASGI_14_010	TO->FROM	CLEARWATER - MILAN TAP 138KV CKT 1	110	110	0.03285	139.9081	DBL-THIS-WIC
FDNS	06ALL	4	20WP	ASGI_14_010	TO->FROM	CLEARWATER - MILAN TAP 138KV CKT 1	110	110	0.0327	108.5249	DBL-THIS-WIC
FDNS	06ALL	4	15WP	ASGI_14_010	TO->FROM	CLEARWATER - MILAN TAP 138KV CKT 1	110	110	0.0331	106.1126	DBL-THIS-WIC
FDNS	06ALL	4	15SP	ASGI_14_010	TO->FROM	CLEARWATER - MILAN TAP 138KV CKT 1	110	110	0.03307	99.9	DBL-THIS-WIC
FDNS	06ALL	4	15SP	ASGI_14_010	FROM->TO	CURRY COUNTY INTERCHANGE - DEAF SMITH REC-#20 115KV CKT 1	96	96	0.0606	120.7303	DEAF SMITH COUNTY INTERCHANGE - PLANT X STATION 230KV CKT 1
FDNS	06ALL	4	20SP	ASGI_14_010	FROM->TO	CURRY COUNTY INTERCHANGE - DEAF SMITH REC-#20 115KV CKT 1	96	96	0.04478	104.6276	DEAF SMITH COUNTY INTERCHANGE - PLANT X STATION 230KV CKT 1
FDNS	06ALL	4	15SP	ASGI_14_010	FROM->TO	CURRY COUNTY INTERCHANGE - DEAF SMITH REC-#20 115KV CKT 1	96	96	0.04462	103.3913	LAWTON EASTSIDE - OKLAUNION 345KV CKT 1
FDNS	06ALL	4	15SP	ASGI_14_010	TO->FROM	DEAF SMITH COUNTY INTERCHANGE - PLANT X STATION 230KV CKT 1	319	351	0.1848	109.4404	LAWTON EASTSIDE - OKLAUNION 345KV CKT 1
FDNS	06ALL	4	15SP	ASGI_14_010	TO->FROM	DEAF SMITH COUNTY INTERCHANGE - PLANT X STATION 230KV CKT 1	319	351	0.1985	96.9	NEWHART 230 - PLANT X STATION 230KV CKT 1
FDNS	06ALL	4	15SP	ASGI_14_010	TO->FROM	DEAF SMITH COUNTY INTERCHANGE - PLANT X STATION 230KV CKT 1	319	351	0.18595	96.2	SPP-SWPS-01
FDNS	06ALL	4	15SP	ASGI_14_010	TO->FROM	DEAF SMITH COUNTY INTERCHANGE - PLANT X STATION 230KV CKT 1	319	351	0.1848	96	SPSCONT-01
FDNS	06ALL	4	15SP	ASGI_14_010	TO->FROM	DEAF SMITH COUNTY INTERCHANGE - PLANT X STATION 230KV CKT 1	319	351	0.1848	95.8	OKLAUNION - TUCO INTERCHANGE 345KV CKT 1
FDNS	06ALL	4	15SP	ASGI_14_010	FROM->TO	DEAF SMITH REC-#20 - PARMER COUNTY SUB 115KV CKT 1	96	96	0.0606	107.5483	DEAF SMITH COUNTY INTERCHANGE - PLANT X STATION 230KV CKT 1
FDNS	06ALL	4	15SP	ASGI_14_010	TO->FROM	DEAF SMITH REC-#24 - PARMER COUNTY SUB 115KV CKT 1	96	96	0.0606	99.8	DEAF SMITH COUNTY INTERCHANGE - PLANT X STATION 230KV CKT 1
FDNS	06ALL	4	15G	ASGI_14_010	FROM->TO	ELK CITY 230KV (ELKCTY-6) 230/138/13.8KV TRANSFORMER CKT 1	287	316	0.11257	106.8002	LAWTON EASTSIDE - OKLAUNION 345KV CKT 1
FDNS	06ALL	4	15G	ASGI_14_010	FROM->TO	ELK CITY 230KV (ELKCTY-6) 230/138/13.8KV TRANSFORMER CKT 1	287	316	0.11257	104.9708	LAWTON EASTSIDE - OKLAUNION 345KV CKT 1
FDNS	06ALL	4	15SP	ASGI_14_010	FROM->TO	ELK CITY 230KV (ELKCTY-6) 230/138/13.8KV TRANSFORMER CKT 1	272	316	0.12055	100.0245	LAWTON EASTSIDE - OKLAUNION 345KV CKT 1
FDNS	06ALL	4	15WP	ASGI_14_010	FROM->TO	ELK CITY 230KV (ELKCTY-6) 230/138/13.8KV TRANSFORMER CKT 1	287	316	0.12411	99.80477	LAWTON EASTSIDE - OKLAUNION 345KV CKT 1
FDNS	06ALL	4	15SP	ASGI_14_010	FROM->TO	ELK CITY 230KV (ELKCTY-6) 230/138/13.8KV TRANSFORMER CKT 1	272	316	0.12055	98.59045	LAWTON EASTSIDE - OKLAUNION 345KV CKT 1
FDNS	06ALL	4	15WP	ASGI_14_010	FROM->TO	ELK CITY 230KV (ELKCTY-6) 230/138/13.8KV TRANSFORMER CKT 1	287	316	0.12411	98.40416	LAWTON EASTSIDE - OKLAUNION 345KV CKT 1
FDNS	06ALL	4	15G	ASGI_14_010	FROM->TO	ELK CITY 230KV (ELKCTY-6) 230/138/13.8KV TRANSFORMER CKT 1	287	316	0.11257	97.5	SPSCONT-01
FDNS	06ALL	4	15G	ASGI_14_010	FROM->TO	ELK CITY 230KV (ELKCTY-6) 230/138/13.8KV TRANSFORMER CKT 1	287	316	0.11318	96.7	SPP-SWPS-01

SOLUTION	GROUP	SCENARIO	SEASON	SOURCE	DIRECTION	MONITORED ELEMENT	RATEA (MVA)	RATEB (MVA)	TDF	TC%LOADING (% MVA)	CONTINGENCY
FDNS-CHECK-TC-Iteration Limit Exceeded.	06ALL		4 15G	ASGI_14_010	FROM->TO	ELK CITY 230KV (ELKCTY-6) 230/138/13.8KV TRANSFORMER CKT 1	287	316	0.09719	96.7	DBL-G1114-WW
FDNS	06ALL		4 15G	ASGI_14_010	FROM->TO	ELK CITY 230KV (ELKCTY-6) 230/138/13.8KV TRANSFORMER CKT 1	287	316	0.11257	96.5	SPSCONT-01
FDNS	06ALL		4 15G	ASGI_14_010	FROM->TO	ELK CITY 230KV (ELKCTY-6) 230/138/13.8KV TRANSFORMER CKT 1	287	316	0.11257	96.4	OKLAUNION - TUCO INTERCHANGE 345KV CKT 1
FDNS	06ALL		4 15G	ASGI_14_010	FROM->TO	ELK CITY 230KV (ELKCTY-6) 230/138/13.8KV TRANSFORMER CKT 1	287	316	0.09719	95.6	DBL-BVR-G111
FDNS-CHECK-TC-Iteration Limit Exceeded.	06ALL		4 15G	ASGI_14_010	FROM->TO	ELK CITY 230KV (ELKCTY-6) 230/138/13.8KV TRANSFORMER CKT 1	287	316	0.09719	95.6	DBL-G1114-WW
FDNS	06ALL		4 15G	ASGI_14_010	FROM->TO	ELK CITY 230KV (ELKCTY-6) 230/138/13.8KV TRANSFORMER CKT 1	287	316	0.11318	95.5	SPP-SWPS-01
FDNS	06ALL		4 15G	ASGI_14_010	FROM->TO	ELK CITY 230KV (ELKCTY-6) 230/138/13.8KV TRANSFORMER CKT 1	287	316	0.11257	95.3	OKLAUNION - TUCO INTERCHANGE 345KV CKT 1
FDNS	06ALL		4 15SP	ASGI_14_010	TO->FROM	FLATRDG3 - THISTLE4 138.00 138KV CKT 1	286	286	0.04773	98.1	DBL-THIS-WIC
FDNS	06ALL		4 15G	ASGI_14_010	TO->FROM	FPL SWITCH - WOODWARD 138KV CKT 1	133	153	0.04543	161.139	NORTHWEST - TATONGA7 345.00 345KV CKT 1
FDNS	06ALL		4 15G	ASGI_14_010	TO->FROM	FPL SWITCH - WOODWARD 138KV CKT 1	133	153	0.05359	159.4606	DBL-THIS-WWR
FDNS	06ALL		4 15G	ASGI_14_010	TO->FROM	FPL SWITCH - WOODWARD 138KV CKT 1	133	153	0.04543	157.7752	SPSCONT-05B
FDNS	06ALL		4 15G	ASGI_14_010	TO->FROM	FPL SWITCH - WOODWARD 138KV CKT 1	133	153	0.04543	157.1729	SPSCONT-04
FDNS	06ALL		4 15G	ASGI_14_010	TO->FROM	FPL SWITCH - WOODWARD 138KV CKT 1	133	153	0.04294	154.0712	DBL-THIS-WIC
FDNS	06ALL		4 15G	ASGI_14_010	TO->FROM	FPL SWITCH - WOODWARD 138KV CKT 1	133	153	0.04727	152.6468	LAWTON EASTSIDE - OKLAUNION 345KV CKT 1
FDNS	06ALL		4 15G	ASGI_14_010	TO->FROM	FPL SWITCH - WOODWARD 138KV CKT 1	133	153	0.04543	147.5252	G11_051T 345.00 - TATONGA7 345.00 345KV CKT 1
FDNS	06ALL		4 15G	ASGI_14_010	TO->FROM	FPL SWITCH - WOODWARD 138KV CKT 1	133	153	0.04543	146.2378	G11_051T 345.00 - WOODWARD DISTRICT EHV 345KV CKT 1
FDNS	06ALL		4 15G	ASGI_14_010	TO->FROM	FPL SWITCH - WOODWARD 138KV CKT 1	133	153	0.03187	143.417	WOODWARD (WOODWRD2) 138/69/13.2KV TRANSFORMER CKT 1
FDNS	06ALL		4 15G	ASGI_14_010	TO->FROM	FPL SWITCH - WOODWARD 138KV CKT 1	133	153	0.04543	143.0315	SPSCONT-05AX
FDNS	06ALL		4 15G	ASGI_14_010	TO->FROM	FPL SWITCH - WOODWARD 138KV CKT 1	133	153	0.04142	142.1867	ELK CITY 230KV - SWEETWATER 230KV CKT 1
FDNS	06ALL		4 15G	ASGI_14_010	TO->FROM	FPL SWITCH - WOODWARD 138KV CKT 1	133	153	0.04142	142.1522	ELK CITY 230KV (ELKCTY-6) 230/138/13.8KV TRANSFORMER CKT 1
FDNS	06ALL		4 15G	ASGI_14_010	TO->FROM	FPL SWITCH - WOODWARD 138KV CKT 1	133	153	0.04727	141.5408	SPSCONT-01
FDNS	06ALL		4 15G	ASGI_14_010	TO->FROM	FPL SWITCH - WOODWARD 138KV CKT 1	133	153	0.04164	139.7718	SPP-SWPS-03
FDNS	06ALL		4 15G	ASGI_14_010	TO->FROM	FPL SWITCH - WOODWARD 138KV CKT 1	133	153	0.04727	139.4068	OKLAUNION - TUCO INTERCHANGE 345KV CKT 1
FDNS	06ALL		4 15G	ASGI_14_010	TO->FROM	FPL SWITCH - WOODWARD 138KV CKT 1	133	153	0.04706	139.2189	SPP-SWPS-01
FDNS	06ALL		4 15G	ASGI_14_010	TO->FROM	FPL SWITCH - WOODWARD 138KV CKT 1	133	153	0.04142	138.5807	SPP-SWPS-02A
FDNS	06ALL		4 15G	ASGI_14_010	TO->FROM	FPL SWITCH - WOODWARD 138KV CKT 1	133	153	0.04142	138.419	GRAPEVINE INTERCHANGE - STATELINE INTERCHANGE 230KV CKT 1
FDNS	06ALL		4 15G	ASGI_14_010	TO->FROM	FPL SWITCH - WOODWARD 138KV CKT 1	133	153	0.03386	137.3554	IODINE - WOODWARD EHV 138KV CKT 1
FDNS	06ALL		4 15G	ASGI_14_010	TO->FROM	FPL SWITCH - WOODWARD 138KV CKT 1	133	153	0.03386	135.3142	DEWEY - IODINE 138KV CKT 1
FDNS	06ALL		4 15G	ASGI_14_010	TO->FROM	FPL SWITCH - WOODWARD 138KV CKT 1	133	153	0.04142	132.9488	STATELINE INTERCHANGE - STLN-DEMARC6 230KV CKT 1
FDNS	06ALL		4 15G	ASGI_14_010	TO->FROM	FPL SWITCH - WOODWARD 138KV CKT 1	133	153	0.04142	132.9455	SPP-SWPS-02
FDNS	06ALL		4 15G	ASGI_14_010	TO->FROM	FPL SWITCH - WOODWARD 138KV CKT 1	133	153	0.04142	132.9341	STLN-DEMARC6 - SWEETWATER 230KV CKT 1
FDNS	06ALL		4 15G	ASGI_14_010	TO->FROM	FPL SWITCH - WOODWARD 138KV CKT 1	133	153	0.03429	130.4008	GRAPEVINE INTERCHANGE - NICHOLS STATION 230KV CKT 1
FDNS	06ALL		4 15G	ASGI_14_010	TO->FROM	FPL SWITCH - WOODWARD 138KV CKT 1	133	153	0.03187	130.0269	WOODWARD - WOODWARD 69KV CKT 1
FDNS	06ALL		4 15G	ASGI_14_010	TO->FROM	FPL SWITCH - WOODWARD 138KV CKT 1	133	153	0.03464	126.1489	THISTLE7 345.00 - WOODWARD DISTRICT EHV 345KV CKT 1
FDNS	06ALL		4 15G	ASGI_14_010	TO->FROM	FPL SWITCH - WOODWARD 138KV CKT 1	133	153	0.03464	126.1489	THISTLE7 345.00 - WOODWARD DISTRICT EHV 345KV CKT 2
FDNS	06ALL		4 15G	ASGI_14_010	TO->FROM	FPL SWITCH - WOODWARD 138KV CKT 1	133	153	0.03408	124.4764	FINNEY SWITCHING STATION - HOLCOMB 345KV CKT 1
FDNS	06ALL		4 15G	ASGI_14_010	TO->FROM	FPL SWITCH - WOODWARD 138KV CKT 1	133	153	0.03171	124.1911	THISTLE7 345.00 - WICHITA 345KV CKT 1
FDNS	06ALL		4 15G	ASGI_14_010	TO->FROM	FPL SWITCH - WOODWARD 138KV CKT 1	133	153	0.03171	124.1911	THISTLE7 345.00 - WICHITA 345KV CKT 2
FDNS	06ALL		4 15G	ASGI_14_010	TO->FROM	FPL SWITCH - WOODWARD 138KV CKT 1	133	153	0.03408	123.2349	SPP-SWPS-05
FDNS	06ALL		4 15G	ASGI_14_010	TO->FROM	FPL SWITCH - WOODWARD 138KV CKT 1	133	153	0.03408	123.1767	FINNEY SWITCHING STATION - Hitchland Interchange 345KV CKT 1
FDNS	06ALL		4 15G	ASGI_14_010	TO->FROM	FPL SWITCH - WOODWARD 138KV CKT 1	133	153	0.03149	120.7359	ELLIS 4 138.00 - RED HILLS WIND 138KV CKT 1
FDNS	06ALL		4 15G	ASGI_14_010	TO->FROM	FPL SWITCH - WOODWARD 138KV CKT 1	133	153	0.03149	118.208	ELLIS 4 138.00 - MOREWOOD SW 138KV CKT 1
FDNS	06ALL		4 15SP	ASGI_14_010	TO->FROM	FPL SWITCH - WOODWARD 138KV CKT 1	133	153	0.05682	111.727	DBL-THIS-WWR
FDNS	06ALL		4 15G	ASGI_14_010	TO->FROM	FPL SWITCH - WOODWARD 138KV CKT 1	133	153	0.03149	106.2134	ELK CITY - RED HILLS WIND 138KV CKT 1
FDNS	06ALL		4 15SP	ASGI_14_010	TO->FROM	FPL SWITCH - WOODWARD 138KV CKT 1	133	153	0.04837	105.3474	NORTHWEST - TATONGA7 345.00 345KV CKT 1
FDNS	06ALL		4 15SP	ASGI_14_010	TO->FROM	FPL SWITCH - WOODWARD 138KV CKT 1	133	153	0.05024	104.7642	LAWTON EASTSIDE - OKLAUNION 345KV CKT 1
FDNS	06ALL		4 15SP	ASGI_14_010	TO->FROM	FPL SWITCH - WOODWARD 138KV CKT 1	133	153	0.04837	102.5806	SPSCONT-05B
FDNS	06ALL		4 15SP	ASGI_14_010	TO->FROM	FPL SWITCH - WOODWARD 138KV CKT 1	133	153	0.04837	101.4405	SPSCONT-04
FDNS	06ALL		4 15SP	ASGI_14_010	TO->FROM	FPL SWITCH - WOODWARD 138KV CKT 1	133	153	0.04585	100.7966	DBL-THIS-WIC
FDNS	06ALL		4 15SP	ASGI_14_010	TO->FROM	FPL SWITCH - WOODWARD 138KV CKT 1	133	153	0.03517	97.7	WOODWARD (WOODWRD2) 138/69/13.2KV TRANSFORMER CKT 1
FDNS	06ALL		4 20WP	ASGI_14_010	TO->FROM	FPL SWITCH - WOODWARD 138KV CKT 1	171	185	0.05097	96.7	NORTHWEST - TATONGA7 345.00 345KV CKT 1
FDNS	06ALL		4 20WP	ASGI_14_010	TO->FROM	FPL SWITCH - WOODWARD 138KV CKT 1	171	185	0.06049	96	DBL-THIS-WWR
FDNS	06ALL		4 15G	ASGI_14_010	TO->FROM	GRAPEVINE INTERCHANGE - NICHOLS STATION 230KV CKT 1	319	351	0.10113	104.2251	LAWTON EASTSIDE - OKLAUNION 345KV CKT 1
FDNS	06ALL		4 20WP	ASGI_14_010	TO->FROM	GRAPEVINE INTERCHANGE - NICHOLS STATION 230KV CKT 1	329	361	0.12851	102.6177	LAWTON EASTSIDE - OKLAUNION 345KV CKT 1
FDNS	06ALL		4 15SP	ASGI_14_010	TO->FROM	GRAPEVINE INTERCHANGE - NICHOLS STATION 230KV CKT 1	319	351	0.10263	99.55219	LAWTON EASTSIDE - OKLAUNION 345KV CKT 1
FDNS	06ALL		4 15G	ASGI_14_010	FROM->TO	GRAPEVINE INTERCHANGE - STATELINE INTERCHANGE 230KV CKT 1	319	351	0.11257	96.19302	LAWTON EASTSIDE - OKLAUNION 345KV CKT 1
FDNS	06ALL		4 15G	ASGI_14_010	FROM->TO	HARPER - MILAN TAP 138KV CKT 1	138	143	0.03285	116.387	DBL-THIS-WIC
FDNS	06ALL		4 15SP	ASGI_14_010	FROM->TO	HARPER - MILAN TAP 138KV CKT 1	127	136	0.03307	104.4151	DBL-THIS-WIC
FDNS	06ALL		4 15WP	ASGI_14_010	FROM->TO	HARPER - MILAN TAP 138KV CKT 1	143	143	0.0331	102.7046	DBL-THIS-WIC
FDNS	06ALL		4 15SP	ASGI_14_010	FROM->TO	PLANT X STATION (WH ALM20171) 230/115/13.2KV TRANSFORMER CKT 1	252	252	0.09595	106.8107	NEWHART 230 - PLANT X STATION 230KV CKT 1
FDNS	06ALL		4 15SP	ASGI_14_010	FROM->TO	PLANT X STATION (WH ALM20171) 230/115/13.2KV TRANSFORMER CKT 1	252	252	0.05622	104.6633	LAMB COUNTY INTERCHANGE - TOLK STATION WEST 230KV CKT 1
FDNS	06ALL		4 15SP	ASGI_14_010	FROM->TO	PLANT X STATION (WH ALM20171) 230/115/13.2KV TRANSFORMER CKT 1	252	252	0.05622	104.6607	LAMB COUNTY INTERCHANGE (WH ALM20172) 230/115/13.2KV TRANSFORMER CKT 1

SOLUTION	GROUP	SCENARIO	SEASON	SOURCE	DIRECTION	MONITORED ELEMENT	RATEA (MVA)	RATEB (MVA)	TC%LOADING TDF	(% MVA)	CONTINGENCY
FDNS	06ALL	4	15SP	ASGI_14_010	FROM->TO	PLANT X STATION (WH ALM20171) 230/115/13.2KV TRANSFORMER CKT 1	252	252	0.05622	104.6607	SPP-SWPS-K37
FDNS	06ALL	4	15SP	ASGI_14_010	FROM->TO	PLANT X STATION (WH ALM20171) 230/115/13.2KV TRANSFORMER CKT 1	252	252	0.09595	104.1177	NEWHART 230 - PLANT X STATION 230KV CKT 1
FDNS	06ALL	4	15SP	ASGI_14_010	FROM->TO	PLANT X STATION (WH ALM20171) 230/115/13.2KV TRANSFORMER CKT 1	252	252	0.08229	102.241	DEAF SMITH COUNTY INTERCHANGE - PLANT X STATION 230KV CKT 1
FDNS	06ALL	4	15SP	ASGI_14_010	FROM->TO	PLANT X STATION (WH ALM20171) 230/115/13.2KV TRANSFORMER CKT 1	252	252	0.05622	102.223	LAMB COUNTY INTERCHANGE - TOLK STATION WEST 230KV CKT 1
FDNS	06ALL	4	15SP	ASGI_14_010	FROM->TO	PLANT X STATION (WH ALM20171) 230/115/13.2KV TRANSFORMER CKT 1	252	252	0.05622	102.2204	LAMB COUNTY INTERCHANGE (WH ALM20172) 230/115/13.2KV TRANSFORMER CKT 1
FDNS	06ALL	4	15SP	ASGI_14_010	FROM->TO	PLANT X STATION (WH ALM20171) 230/115/13.2KV TRANSFORMER CKT 1	252	252	0.05622	102.2204	SPP-SWPS-K37
FDNS	06ALL	4	15SP	ASGI_14_010	FROM->TO	PLANT X STATION (WH ALM20171) 230/115/13.2KV TRANSFORMER CKT 1	252	252	0.08229	99.5	DEAF SMITH COUNTY INTERCHANGE - PLANT X STATION 230KV CKT 1
FDNS	06ALL	4	15SP	ASGI_14_010	FROM->TO	PLANT X STATION (WH ALM20171) 230/115/13.2KV TRANSFORMER CKT 1	252	252	0.05443	95.4	GEN525493 1-PLANT X GEN #3
FDNS	06ALL	0	15G	ASGI_14_012	FROM->TO	CLEARWATER - GILL ENERGY CENTER WEST 138KV CKT 1	143	143	0.03291	100.5453	DBL-THIS-WIC
FDNS	06ALL	0	15G	ASGI_14_012	TO->FROM	CLEARWATER - MILAN TAP 138KV CKT 1	110	110	0.03291	140.1877	DBL-THIS-WIC
FDNS	06ALL	0	20WP	ASGI_14_012	TO->FROM	CLEARWATER - MILAN TAP 138KV CKT 1	110	110	0.0327	108.6601	DBL-THIS-WIC
FDNS	06ALL	0	15WP	ASGI_14_012	TO->FROM	CLEARWATER - MILAN TAP 138KV CKT 1	110	110	0.03316	106.268	DBL-THIS-WIC
FDNS	06ALL	0	15SP	ASGI_14_012	TO->FROM	CLEARWATER - MILAN TAP 138KV CKT 1	110	110	0.03314	100.0707	DBL-THIS-WIC
FDNS	06ALL	0	25SP	ASGI_14_012	FROM->TO	COOPER RANCH SUB - OIL_CENTER 3115.00 115KV CKT 1	141	141	0.28191	110.3969	HOBBS - KIOWA 7345.00 345KV CKT 1
FDNS	06ALL	0	25SP	ASGI_14_012	FROM->TO	COOPER RANCH SUB - OIL_CENTER 3115.00 115KV CKT 1	141	141	0.26476	110.0569	National Enrichment Plant Sub - TARGA 3115.00 115KV CKT 1
FDNS	06ALL	0	25SP	ASGI_14_012	FROM->TO	COOPER RANCH SUB - OIL_CENTER 3115.00 115KV CKT 1	141	141	0.26476	106.1092	National Enrichment Plant Tap - TARGA 3115.00 115KV CKT 1
FDNS	06ALL	0	25SP	ASGI_14_012	FROM->TO	COOPER RANCH SUB - OIL_CENTER 3115.00 115KV CKT 1	141	141	0.27651	99.2	KIOWA 7345.00 - RDRUNNER 7345.00 345KV CKT 1
FDNS	06ALL	0	25SP	ASGI_14_012	FROM->TO	COOPER RANCH SUB - OIL_CENTER 3115.00 115KV CKT 1	141	141	0.27651	99	RDRUNNER 7345.00 (UPDATE LATER) 345/115/13.2KV TRANSFORMER CKT 1
FDNS	06ALL	0	25SP	ASGI_14_012	FROM->TO	COOPER RANCH SUB - OIL_CENTER 3115.00 115KV CKT 1	141	141	0.24007	95.1	National Enrichment Plant Tap - TEAGUE SUB 115KV CKT 1
FDNS	06ALL	0	15SP	ASGI_14_012	FROM->TO	CUNNINGHAM STATION - MADDOX STATION 115KV CKT 1	160	160	0.06447	97.2	HOBBS INTERCHANGE - MADDOX STATION 115KV CKT 1
FDNS	06ALL	0	15SP	ASGI_14_012	FROM->TO	CURRY COUNTY INTERCHANGE - DEAF SMITH REC-#20 115KV CKT 1	96	96	0.05956	123.5747	DEAF SMITH COUNTY INTERCHANGE - PLANT X STATION 230KV CKT 1
FDNS	06ALL	0	20SP	ASGI_14_012	FROM->TO	CURRY COUNTY INTERCHANGE - DEAF SMITH REC-#20 115KV CKT 1	96	96	0.04451	106.7874	DEAF SMITH COUNTY INTERCHANGE - PLANT X STATION 230KV CKT 1
FDNS	06ALL	0	15SP	ASGI_14_012	FROM->TO	CURRY COUNTY INTERCHANGE - DEAF SMITH REC-#20 115KV CKT 1	96	96	0.04337	105.8568	LAWTON EASTSIDE - OKLAUNION 345KV CKT 1
FDNS	06ALL	0	15SP	ASGI_14_012	FROM->TO	CURRY COUNTY INTERCHANGE - DEAF SMITH REC-#20 115KV CKT 1	96	96	0.04381	97.6	SPP-SWPS-01
FDNS	06ALL	0	15SP	ASGI_14_012	FROM->TO	CURRY COUNTY INTERCHANGE - DEAF SMITH REC-#20 115KV CKT 1	96	96	0.04337	97.3	SPSCONT-01
FDNS	06ALL	0	15SP	ASGI_14_012	FROM->TO	CURRY COUNTY INTERCHANGE - DEAF SMITH REC-#20 115KV CKT 1	96	96	0.04337	97.2	OKLAUNION - TUCO INTERCHANGE 345KV CKT 1
FDNS	06ALL	0	15SP	ASGI_14_012	FROM->TO	CURRY COUNTY INTERCHANGE - DEAF SMITH REC-#20 115KV CKT 1	96	96	0.04454	96.1	NEWHART 230 - PLANT X STATION 230KV CKT 1
FDNS	06ALL	0	25SP	ASGI_14_012	FROM->TO	CURRY COUNTY INTERCHANGE - DEAF SMITH REC-#20 115KV CKT 1	96	96	0.04493	95.6	DEAF SMITH COUNTY INTERCHANGE - PLANT X STATION 230KV CKT 1
FDNS	06ALL	0	15SP	ASGI_14_012	TO->FROM	DEAF SMITH COUNTY INTERCHANGE - PLANT X STATION 230KV CKT 1	319	351	0.18463	109.7585	LAWTON EASTSIDE - OKLAUNION 345KV CKT 1
FDNS	06ALL	0	15SP	ASGI_14_012	TO->FROM	DEAF SMITH COUNTY INTERCHANGE - PLANT X STATION 230KV CKT 1	319	351	0.1983	97.5	NEWHART 230 - PLANT X STATION 230KV CKT 1
FDNS	06ALL	0	15SP	ASGI_14_012	TO->FROM	DEAF SMITH COUNTY INTERCHANGE - PLANT X STATION 230KV CKT 1	319	351	0.18722	96.9	SPP-SWPS-01
FDNS	06ALL	0	15SP	ASGI_14_012	TO->FROM	DEAF SMITH COUNTY INTERCHANGE - PLANT X STATION 230KV CKT 1	319	351	0.18463	96.3	SPSCONT-01
FDNS	06ALL	0	15SP	ASGI_14_012	TO->FROM	DEAF SMITH COUNTY INTERCHANGE - PLANT X STATION 230KV CKT 1	319	351	0.18463	96.1	OKLAUNION - TUCO INTERCHANGE 345KV CKT 1
FDNS	06ALL	0	15SP	ASGI_14_012	FROM->TO	DEAF SMITH REC-#20 - PARMER COUNTY SUB 115KV CKT 1	96	96	0.05956	110.3575	DEAF SMITH COUNTY INTERCHANGE - PLANT X STATION 230KV CKT 1
FDNS	06ALL	0	15SP	ASGI_14_012	TO->FROM	DEAF SMITH REC-#24 - PARMER COUNTY SUB 115KV CKT 1	96	96	0.05956	102.2169	DEAF SMITH COUNTY INTERCHANGE - PLANT X STATION 230KV CKT 1
FDNS	06ALL	0	15G	ASGI_14_012	FROM->TO	ELK CITY 230KV (ELKCTY-6) 230/138/13.8KV TRANSFORMER CKT 1	287	316	0.11292	107.0627	LAWTON EASTSIDE - OKLAUNION 345KV CKT 1
FDNS	06ALL	0	15G	ASGI_14_012	FROM->TO	ELK CITY 230KV (ELKCTY-6) 230/138/13.8KV TRANSFORMER CKT 1	287	316	0.11292	105.2129	LAWTON EASTSIDE - OKLAUNION 345KV CKT 1
FDNS	06ALL	0	15SP	ASGI_14_012	FROM->TO	ELK CITY 230KV (ELKCTY-6) 230/138/13.8KV TRANSFORMER CKT 1	272	316	0.12099	100.158	LAWTON EASTSIDE - OKLAUNION 345KV CKT 1
FDNS	06ALL	0	15WP	ASGI_14_012	FROM->TO	ELK CITY 230KV (ELKCTY-6) 230/138/13.8KV TRANSFORMER CKT 1	287	316	0.12447	100.0101	LAWTON EASTSIDE - OKLAUNION 345KV CKT 1
FDNS	06ALL	0	15SP	ASGI_14_012	FROM->TO	ELK CITY 230KV (ELKCTY-6) 230/138/13.8KV TRANSFORMER CKT 1	272	316	0.12099	98.72061	LAWTON EASTSIDE - OKLAUNION 345KV CKT 1
FDNS	06ALL	0	15WP	ASGI_14_012	FROM->TO	ELK CITY 230KV (ELKCTY-6) 230/138/13.8KV TRANSFORMER CKT 1	287	316	0.12447	98.59541	LAWTON EASTSIDE - OKLAUNION 345KV CKT 1
FDNS	06ALL	0	15G	ASGI_14_012	FROM->TO	ELK CITY 230KV (ELKCTY-6) 230/138/13.8KV TRANSFORMER CKT 1	287	316	0.09915	98.1	DBL-G1114-WW
FDNS	06ALL	0	15G	ASGI_14_012	FROM->TO	ELK CITY 230KV (ELKCTY-6) 230/138/13.8KV TRANSFORMER CKT 1	287	316	0.11292	97.8	SPSCONT-01
FDNS	06ALL	0	15G	ASGI_14_012	FROM->TO	ELK CITY 230KV (ELKCTY-6) 230/138/13.8KV TRANSFORMER CKT 1	287	316	0.11468	97.7	SPP-SWPS-01
FDNS	06ALL	0	15G	ASGI_14_012	FROM->TO	ELK CITY 230KV (ELKCTY-6) 230/138/13.8KV TRANSFORMER CKT 1	287	316	0.09915	96.9	DBL-BVR-G111
FDNS	06ALL	0	15G	ASGI_14_012	FROM->TO	ELK CITY 230KV (ELKCTY-6) 230/138/13.8KV TRANSFORMER CKT 1	287	316	0.09915	96.8	DBL-G1114-WW
FDNS	06ALL	0	15G	ASGI_14_012	FROM->TO	ELK CITY 230KV (ELKCTY-6) 230/138/13.8KV TRANSFORMER CKT 1	287	316	0.11292	96.7	SPSCONT-01
FDNS	06ALL	0	15G	ASGI_14_012	FROM->TO	ELK CITY 230KV (ELKCTY-6) 230/138/13.8KV TRANSFORMER CKT 1	287	316	0.11468	96.6	SPP-SWPS-01
FDNS	06ALL	0	15G	ASGI_14_012	FROM->TO	ELK CITY 230KV (ELKCTY-6) 230/138/13.8KV TRANSFORMER CKT 1	287	316	0.11292	96.5	OKLAUNION - TUCO INTERCHANGE 345KV CKT 1
FDNS	06ALL	0	15G	ASGI_14_012	FROM->TO	ELK CITY 230KV (ELKCTY-6) 230/138/13.8KV TRANSFORMER CKT 1	287	316	0.09915	95.7	DBL-BVR-G111
FDNS	06ALL	0	15G	ASGI_14_012	FROM->TO	ELK CITY 230KV (ELKCTY-6) 230/138/13.8KV TRANSFORMER CKT 1	287	316	0.11292	95.3	OKLAUNION - TUCO INTERCHANGE 345KV CKT 1
FDNS	06ALL	0	15SP	ASGI_14_012	TO->FROM	FLATRDG3 - THISTLE4 138.00 138KV CKT 1	286	286	0.04778	98.2	DBL-THIS-WIC
FDNS	06ALL	0	15G	ASGI_14_012	TO->FROM	FPL SWITCH - WOODWARD 138KV CKT 1	133	153	0.04539	161.177	NORTHWEST - TATONGA7 345.00 345KV CKT 1
FDNS	06ALL	0	15G	ASGI_14_012	TO->FROM	FPL SWITCH - WOODWARD 138KV CKT 1	133	153	0.05347	159.4244	DBL-THIS-WWR
FDNS	06ALL	0	15G	ASGI_14_012	TO->FROM	FPL SWITCH - WOODWARD 138KV CKT 1	133	153	0.04539	157.7992	SPSCONT-05B
FDNS	06ALL	0	15G	ASGI_14_012	TO->FROM	FPL SWITCH - WOODWARD 138KV CKT 1	133	153	0.04539	157.271	SPSCONT-04
FDNS	06ALL	0	15G	ASGI_14_012	TO->FROM	FPL SWITCH - WOODWARD 138KV CKT 1	133	153	0.04288	154.1519	DBL-THIS-WIC
FDNS	06ALL	0	15G	ASGI_14_012	TO->FROM	FPL SWITCH - WOODWARD 138KV CKT 1	133	153	0.04705	152.6111	LAWTON EASTSIDE - OKLAUNION 345KV CKT 1
FDNSLock	06ALL	0	15G	ASGI_14_012	TO->FROM	FPL SWITCH - WOODWARD 138KV CKT 1	133	153	0.04539	147.3779	G11_051T 345.00 - TATONGA7 345.00 345KV CKT 1
FDNS	06ALL	0	15G	ASGI_14_012	TO->FROM	FPL SWITCH - WOODWARD 138KV CKT 1	133	153	0.04539	146.4061	G11_051T 345.00 - WOODWARD DISTRICT EHV 345KV CKT 1
FDNS	06ALL	0	15G	ASGI_14_012	TO->FROM	FPL SWITCH - WOODWARD 138KV CKT 1	133	153	0.03178	143.416	WOODWARD (WOODWRD2) 138/69/13.2KV TRANSFORMER CKT 1
FDNS	06ALL	0	15G	ASGI_14_012	TO->FROM	FPL SWITCH - WOODWARD 138KV CKT 1	133	153	0.04539	143.1258	SPSCONT-05AX
FDNS	06ALL	0	15G	ASGI_14_012	TO->FROM	FPL SWITCH - WOODWARD 138KV CKT 1	133	153	0.04156	142.5155	ELK CITY 230KV - SWEETWATER 230KV CKT 1
FDNS	06ALL	0	15G	ASGI_14_012	TO->FROM	FPL SWITCH - WOODWARD 138KV CKT 1	133	153	0.04156	142.4842	ELK CITY 230KV (ELKCTY-6) 230/138/13.8KV TRANSFORMER CKT 1
FDNS	06ALL	0	15G	ASGI_14_012	TO->FROM	FPL SWITCH - WOODWARD 138KV CKT 1	133	153	0.04705	141.4059	SPSCONT-01
FDNS	06ALL	0	15G	ASGI_14_012	TO->FROM	FPL SWITCH - WOODWARD 138KV CKT 1	133	153	0.04178	140.0428	SPP-SWPS-03
FDNS	06ALL	0	15G	ASGI_14_012	TO->FROM	FPL SWITCH - WOODWARD 138KV CKT 1	133	153	0.04705	139.1883	OKLAUNION - TUCO INTERCHANGE 345KV CKT 1
FDNS	06ALL	0	15G	ASGI_14_012	TO->FROM	FPL SWITCH - WOODWARD 138KV CKT 1	133	153	0.04156	138.8333	SPP-SWPS-02A
FDNS	06ALL	0	15G	ASGI_14_012	TO->FROM	FPL SWITCH - WOODWARD 138KV CKT 1	133	153	0.04156	138.6923	GRAPEVINE INTERCHANGE - STATELINE INTERCHANGE 230KV CKT 1
FDNS	06ALL	0	15G	ASGI_14_012	TO->FROM	FPL SWITCH - WOODWARD 138KV CKT 1	133	153	0.04646	138.6877	SPP-SWPS-01
FDNS	06ALL	0	15G	ASGI_14_012	TO->FROM	FPL SWITCH - WOODWARD 138KV CKT 1	133	153	0.03378	137.3732	IODINE - WOODWARD EHV 138KV CKT 1
FDNS	06ALL	0	15G	ASGI_14_012	TO->FROM	FPL SWITCH - WOODWARD 138KV CKT 1	133	153	0.03378	135.335	DEWEY - IODINE 138KV CKT 1

SOLUTION	GROUP	SCENARIO	SEASON	SOURCE	DIRECTION	MONITORED ELEMENT	RATEA (MVA)	RATEB(MVA)	TDF	TC%LOADING (% MVA)	CONTINGENCY
FDNS	06ALL	0	15G	ASGI_14_012	TO->FROM	FPL SWITCH - WOODWARD 138KV CKT 1	133	153	0.04156	133.3058	STATELINE INTERCHANGE - STLN-DEMARC6 230KV CKT 1
FDNS	06ALL	0	15G	ASGI_14_012	TO->FROM	FPL SWITCH - WOODWARD 138KV CKT 1	133	153	0.04156	133.0811	SPP-SWPS-02
FDNS	06ALL	0	15G	ASGI_14_012	TO->FROM	FPL SWITCH - WOODWARD 138KV CKT 1	133	153	0.04156	133.0154	STLN-DEMARC6 - SWEETWATER 230KV CKT 1
FDNS	06ALL	0	15G	ASGI_14_012	TO->FROM	FPL SWITCH - WOODWARD 138KV CKT 1	133	153	0.03431	130.54	GRAPEVINE INTERCHANGE - NICHOLS STATION 230KV CKT 1
FDNS	06ALL	0	15G	ASGI_14_012	TO->FROM	FPL SWITCH - WOODWARD 138KV CKT 1	133	153	0.03178	130.0405	WOODWARD - WOODWARD 69KV CKT 1
FDNS	06ALL	0	15G	ASGI_14_012	TO->FROM	FPL SWITCH - WOODWARD 138KV CKT 1	133	153	0.03455	126.126	THISTLE7 345.00 - WOODWARD DISTRICT EHV 345KV CKT 1
FDNS	06ALL	0	15G	ASGI_14_012	TO->FROM	FPL SWITCH - WOODWARD 138KV CKT 1	133	153	0.03455	126.126	THISTLE7 345.00 - WOODWARD DISTRICT EHV 345KV CKT 2
FDNS	06ALL	0	15G	ASGI_14_012	TO->FROM	FPL SWITCH - WOODWARD 138KV CKT 1	133	153	0.03405	124.5649	FINNEY SWITCHING STATION - HOLCOMB 345KV CKT 1
FDNS	06ALL	0	15G	ASGI_14_012	TO->FROM	FPL SWITCH - WOODWARD 138KV CKT 1	133	153	0.03163	124.1871	THISTLE7 345.00 - WICHITA 345KV CKT 1
FDNS	06ALL	0	15G	ASGI_14_012	TO->FROM	FPL SWITCH - WOODWARD 138KV CKT 1	133	153	0.03163	124.1871	THISTLE7 345.00 - WICHITA 345KV CKT 2
FDNS	06ALL	0	15G	ASGI_14_012	TO->FROM	FPL SWITCH - WOODWARD 138KV CKT 1	133	153	0.03405	123.3196	SPP-SWPS-05
FDNS	06ALL	0	15G	ASGI_14_012	TO->FROM	FPL SWITCH - WOODWARD 138KV CKT 1	133	153	0.03405	123.2614	FINNEY SWITCHING STATION - Hitchland Interchange 345KV CKT 1
FDNS	06ALL	0	15G	ASGI_14_012	TO->FROM	FPL SWITCH - WOODWARD 138KV CKT 1	133	153	0.03147	120.7972	ELLIS 4 138.00 - RED HILLS WIND 138KV CKT 1
FDNS	06ALL	0	15G	ASGI_14_012	TO->FROM	FPL SWITCH - WOODWARD 138KV CKT 1	133	153	0.03147	118.2357	ELLIS 4 138.00 - MOREWOOD SW 138KV CKT 1
FDNS	06ALL	0	15SP	ASGI_14_012	TO->FROM	FPL SWITCH - WOODWARD 138KV CKT 1	133	153	0.05671	111.3808	DBL-THIS-WWR
FDNSLock	06ALL	0	15G	ASGI_14_012	TO->FROM	FPL SWITCH - WOODWARD 138KV CKT 1	133	153	0.03147	105.8896	ELK CITY - RED HILLS WIND 138KV CKT 1
FDNS	06ALL	0	15SP	ASGI_14_012	TO->FROM	FPL SWITCH - WOODWARD 138KV CKT 1	133	153	0.04833	105.3952	NORTHWEST - TATONGA7 345.00 345KV CKT 1
FDNS	06ALL	0	15SP	ASGI_14_012	TO->FROM	FPL SWITCH - WOODWARD 138KV CKT 1	133	153	0.05003	104.8311	LAWTON EASTSIDE - OKLAUNION 345KV CKT 1
FDNS	06ALL	0	15SP	ASGI_14_012	TO->FROM	FPL SWITCH - WOODWARD 138KV CKT 1	133	153	0.04833	102.6277	SPSCONT-05B
FDNS	06ALL	0	15SP	ASGI_14_012	TO->FROM	FPL SWITCH - WOODWARD 138KV CKT 1	133	153	0.04833	101.4863	SPSCONT-04
FDNS	06ALL	0	15SP	ASGI_14_012	TO->FROM	FPL SWITCH - WOODWARD 138KV CKT 1	133	153	0.0458	100.8287	DBL-THIS-WIC
FDNS	06ALL	0	15SP	ASGI_14_012	TO->FROM	FPL SWITCH - WOODWARD 138KV CKT 1	133	153	0.03508	97.7	WOODWARD (WOODWRD2) 138/69/13.2KV TRANSFORMER CKT 1
FDNS	06ALL	0	20WP	ASGI_14_012	TO->FROM	FPL SWITCH - WOODWARD 138KV CKT 1	171	185	0.05094	96.8	NORTHWEST - TATONGA7 345.00 345KV CKT 1
FDNS	06ALL	0	20WP	ASGI_14_012	TO->FROM	FPL SWITCH - WOODWARD 138KV CKT 1	171	185	0.06043	96	DBL-THIS-WWR
FDNS	06ALL	0	15G	ASGI_14_012	TO->FROM	GRAPEVINE INTERCHANGE - NICHOLS STATION 230KV CKT 1	319	351	0.10145	104.4035	LAWTON EASTSIDE - OKLAUNION 345KV CKT 1
FDNS	06ALL	0	20WP	ASGI_14_012	TO->FROM	GRAPEVINE INTERCHANGE - NICHOLS STATION 230KV CKT 1	329	361	0.12837	102.8268	LAWTON EASTSIDE - OKLAUNION 345KV CKT 1
FDNS	06ALL	0	15SP	ASGI_14_012	TO->FROM	GRAPEVINE INTERCHANGE - NICHOLS STATION 230KV CKT 1	319	351	0.103	99.65252	LAWTON EASTSIDE - OKLAUNION 345KV CKT 1
FDNS	06ALL	0	15G	ASGI_14_012	FROM->TO	GRAPEVINE INTERCHANGE - STATELINE INTERCHANGE 230KV CKT 1	319	351	0.11292	96.46441	LAWTON EASTSIDE - OKLAUNION 345KV CKT 1
FDNS	06ALL	0	15G	ASGI_14_012	FROM->TO	HARPER - MILAN TAP 138KV CKT 1	138	143	0.03291	116.5991	DBL-THIS-WIC
FDNS	06ALL	0	15SP	ASGI_14_012	FROM->TO	HARPER - MILAN TAP 138KV CKT 1	127	136	0.03314	104.5127	DBL-THIS-WIC
FDNS	06ALL	0	15WP	ASGI_14_012	FROM->TO	HARPER - MILAN TAP 138KV CKT 1	143	143	0.03316	102.8215	DBL-THIS-WIC
FDNS	06ALL	0	25SP	ASGI_14_012	TO->FROM	LEA ROAD SUB - OIL_CENTER 3115.00 115KV CKT 1	141	141	0.28191	109.565	HOBBS - KIOWA 7345.00 345KV CKT 1
FDNS	06ALL	0	25SP	ASGI_14_012	TO->FROM	LEA ROAD SUB - OIL_CENTER 3115.00 115KV CKT 1	141	141	0.26476	109.1964	National Enrichment Plant Sub - TARGA 3115.00 115KV CKT 1
FDNS	06ALL	0	25SP	ASGI_14_012	TO->FROM	LEA ROAD SUB - OIL_CENTER 3115.00 115KV CKT 1	141	141	0.26476	105.2621	National Enrichment Plant Tap - TARGA 3115.00 115KV CKT 1
FDNS	06ALL	0	25SP	ASGI_14_012	TO->FROM	LEA ROAD SUB - OIL_CENTER 3115.00 115KV CKT 1	141	141	0.27651	98.4	KIOWA 7345.00 - RDRUNNER 7345.00 345KV CKT 1
FDNS	06ALL	0	25SP	ASGI_14_012	TO->FROM	LEA ROAD SUB - OIL_CENTER 3115.00 115KV CKT 1	141	141	0.27651	98.2	RDRUNNER 7345.00 (UPDATE LATER) 345/115/13.2KV TRANSFORMER CKT 1
FDNS	06ALL	0	25SP	ASGI_14_012	FROM->TO	LEA ROAD SUB - WARD SUB 115KV CKT 1	120	141	0.28191	99	HOBBS - KIOWA 7345.00 345KV CKT 1
FDNS	06ALL	0	25SP	ASGI_14_012	FROM->TO	LEA ROAD SUB - WARD SUB 115KV CKT 1	120	141	0.26476	98	National Enrichment Plant Sub - TARGA 3115.00 115KV CKT 1
FDNS	06ALL	0	25SP	ASGI_14_012	TO->FROM	OCHOA SUB - PNDEROSATP 3115.00 115KV CKT 1	141	141	0.14344	125.9048	HOBBS - KIOWA 7345.00 345KV CKT 1
FDNS	06ALL	0	25SP	ASGI_14_012	TO->FROM	OCHOA SUB - PNDEROSATP 3115.00 115KV CKT 1	141	141	0.13095	109.7218	KIOWA 7345.00 - RDRUNNER 7345.00 345KV CKT 1
FDNS	06ALL	0	25SP	ASGI_14_012	TO->FROM	OCHOA SUB - PNDEROSATP 3115.00 115KV CKT 1	141	141	0.13095	109.2957	RDRUNNER 7345.00 (UPDATE LATER) 345/115/13.2KV TRANSFORMER CKT 1
FDNS	06ALL	0	20SP	ASGI_14_012	TO->FROM	OCHOA SUB - PNDEROSATP 3115.00 115KV CKT 1	141	141	0.14345	99.2	HOBBS - KIOWA 7345.00 345KV CKT 1
FDNS	06ALL	0	15WP	ASGI_14_012	TO->FROM	PLANT X STATION - TOLK STATION EAST 230KV CKT 2	557	557	0.25812	99.8	PLANT X STATION - TOLK STATION WEST 230KV CKT 1
FDNS	06ALL	0	20SP	ASGI_14_012	TO->FROM	PLANT X STATION - TOLK STATION EAST 230KV CKT 2	478	502	0.18581	96.1	PLANT X STATION - TOLK STATION WEST 230KV CKT 1
FDNS	06ALL	0	20SP	ASGI_14_012	TO->FROM	PLANT X STATION - TOLK STATION WEST 230KV CKT 1	478	502	0.18765	96.8	PLANT X STATION - TOLK STATION EAST 230KV CKT 2
FDNS	06ALL	0	15SP	ASGI_14_012	FROM->TO	PLANT X STATION (WH ALM20171) 230/115/13.2KV TRANSFORMER CKT 1	252	252	0.09374	106.868	NEWHART 230 - PLANT X STATION 230KV CKT 1
FDNS	06ALL	0	15SP	ASGI_14_012	FROM->TO	PLANT X STATION (WH ALM20171) 230/115/13.2KV TRANSFORMER CKT 1	252	252	0.05353	104.7391	SPP-SWPS-K37
FDNS	06ALL	0	15SP	ASGI_14_012	FROM->TO	PLANT X STATION (WH ALM20171) 230/115/13.2KV TRANSFORMER CKT 1	252	252	0.05353	104.739	LAMB COUNTY INTERCHANGE (WH ALM20172) 230/115/13.2KV TRANSFORMER CKT 1
FDNS	06ALL	0	15SP	ASGI_14_012	FROM->TO	PLANT X STATION (WH ALM20171) 230/115/13.2KV TRANSFORMER CKT 1	252	252	0.05353	104.7164	LAMB COUNTY INTERCHANGE - TOLK STATION WEST 230KV CKT 1
FDNS	06ALL	0	15SP	ASGI_14_012	FROM->TO	PLANT X STATION (WH ALM20171) 230/115/13.2KV TRANSFORMER CKT 1	252	252	0.09374	104.1846	NEWHART 230 - PLANT X STATION 230KV CKT 1
FDNS	06ALL	0	15SP	ASGI_14_012	FROM->TO	PLANT X STATION (WH ALM20171) 230/115/13.2KV TRANSFORMER CKT 1	252	252	0.08079	102.4562	DEAF SMITH COUNTY INTERCHANGE - PLANT X STATION 230KV CKT 1
FDNS	06ALL	0	15SP	ASGI_14_012	FROM->TO	PLANT X STATION (WH ALM20171) 230/115/13.2KV TRANSFORMER CKT 1	252	252	0.05353	102.3057	SPP-SWPS-K37
FDNS	06ALL	0	15SP	ASGI_14_012	FROM->TO	PLANT X STATION (WH ALM20171) 230/115/13.2KV TRANSFORMER CKT 1	252	252	0.05353	102.3056	LAMB COUNTY INTERCHANGE (WH ALM20172) 230/115/13.2KV TRANSFORMER CKT 1
FDNS	06ALL	0	15SP	ASGI_14_012	FROM->TO	PLANT X STATION (WH ALM20171) 230/115/13.2KV TRANSFORMER CKT 1	252	252	0.05353	102.2824	LAMB COUNTY INTERCHANGE - TOLK STATION WEST 230KV CKT 1
FDNS	06ALL	0	15SP	ASGI_14_012	FROM->TO	PLANT X STATION (WH ALM20171) 230/115/13.2KV TRANSFORMER CKT 1	252	252	0.08079	99.7	DEAF SMITH COUNTY INTERCHANGE - PLANT X STATION 230KV CKT 1
FDNS	06ALL	0	15SP	ASGI_14_012	FROM->TO	PLANT X STATION (WH ALM20171) 230/115/13.2KV TRANSFORMER CKT 1	252	252	0.05282	95.5	GEN525493 1-PLANT X GEN #3
FDNS	06ALL	0	25SP	ASGI_14_012	TO->FROM	PNDEROSATP 3115.00 - WHITTEN SUB 115KV CKT 1	141	141	0.14344	145.6824	HOBBS - KIOWA 7345.00 345KV CKT 1
FDNS	06ALL	0	25SP	ASGI_14_012	TO->FROM	PNDEROSATP 3115.00 - WHITTEN SUB 115KV CKT 1	141	141	0.13095	129.7992	KIOWA 7345.00 - RDRUNNER 7345.00 345KV CKT 1
FDNS	06ALL	0	25SP	ASGI_14_012	TO->FROM	PNDEROSATP 3115.00 - WHITTEN SUB 115KV CKT 1	141	141	0.13095	129.3805	RDRUNNER 7345.00 (UPDATE LATER) 345/115/13.2KV TRANSFORMER CKT 1
FDNS	06ALL	0	20SP	ASGI_14_012	TO->FROM	PNDEROSATP 3115.00 - WHITTEN SUB 115KV CKT 1	141	141	0.14345	114.3607	HOBBS - KIOWA 7345.00 345KV CKT 1
FDNS	06ALL	0	20SP	ASGI_14_012	TO->FROM	PNDEROSATP 3115.00 - WHITTEN SUB 115KV CKT 1	141	141	0.13095	108.1634	KIOWA 7345.00 - RDRUNNER 7345.00 345KV CKT 1
FDNS	06ALL	0	20SP	ASGI_14_012	TO->FROM	PNDEROSATP 3115.00 - WHITTEN SUB 115KV CKT 1	141	141	0.13095	107.8357	RDRUNNER 7345.00 (UPDATE LATER) 345/115/13.2KV TRANSFORMER CKT 1
FDNS	06ALL	0	20WP	ASGI_14_012	FROM->TO	TUCO INTERCHANGE (GE M1022338) 345/230/13.2KV TRANSFORMER CKT 1	560	560	0.12001	106.7638	TUCO INTERCHANGE (SIEM 8743066) 345/230/13.2KV TRANSFORMER CKT 2
FDNS	06ALL	0	20WP	ASGI_14_012	FROM->TO	TUCO INTERCHANGE (GE M1022338) 345/230/13.2KV TRANSFORMER CKT 1	560	560	0.12001	104.8093	TUCO INTERCHANGE (SIEM 8743066) 345/230/13.2KV TRANSFORMER CKT 2
FDNS	06ALL	0	25SP	ASGI_14_012	FROM->TO	WARD SUB - WHITTEN SUB 115KV CKT 1	141	141	0.28191	97.2	HOBBS - KIOWA 7345.00 345KV CKT 1
FDNS	06ALL	0	25SP	ASGI_14_012	FROM->TO	WARD SUB - WHITTEN SUB 115KV CKT 1	141	141	0.26476	96.1	National Enrichment Plant Sub - TARGA 3115.00 115KV CKT 1
FDNS	06ALL	2	15G	ASGI_14_012	FROM->TO	CLEARWATER - GILL ENERGY CENTER WEST 138KV CKT 1	143	143	0.0328	100.3876	DBL-THIS-WIC
FDNS	06ALL	2	15G	ASGI_14_012	TO->FROM	CLEARWATER - MILAN TAP 138KV CKT 1	110	110	0.0328	139.9774	DBL-THIS-WIC
FDNS	06ALL	2	20WP	ASGI_14_012	TO->FROM	CLEARWATER - MILAN TAP 138KV CKT 1	110	110	0.03268	108.5614	DBL-THIS-WIC
FDNS	06ALL	2	15WP	ASGI_14_012	TO->FROM	CLEARWATER - MILAN TAP 138KV CKT 1	110	110	0.03305	106.1489	DBL-THIS-WIC
FDNS	06ALL	2	15SP	ASGI_14_012	TO->FROM	CLEARWATER - MILAN TAP 138KV CKT 1	110	110	0.03303	100	DBL-THIS-WIC
FDNS	06ALL	2	25SP	ASGI_14_012	FROM->TO	COOPER RANCH SUB - OIL_CENTER 3115.00 115KV CKT 1	141	141	0.28192	110.3975	HOBBS - KIOWA 7345.00 345KV CKT 1

SOLUTION	GROUP	SCENARIO	SEASON	SOURCE	DIRECTION	MONITORED ELEMENT	RATEA (MVA)	RATEB (MVA)	TDF	TC%LOADING (% MVA)	CONTINGENCY
FDNS	06ALL	2	25SP	ASGI_14_012	FROM->TO	COOPER RANCH SUB - OIL_CENTER 3115.00 115KV CKT 1	141	141	0.26474	110.0595	National Enrichment Plant Sub - TARGA 3115.00 115KV CKT 1
FDNS	06ALL	2	25SP	ASGI_14_012	FROM->TO	COOPER RANCH SUB - OIL_CENTER 3115.00 115KV CKT 1	141	141	0.26474	106.1115	National Enrichment Plant Tap - TARGA 3115.00 115KV CKT 1
FDNS	06ALL	2	25SP	ASGI_14_012	FROM->TO	COOPER RANCH SUB - OIL_CENTER 3115.00 115KV CKT 1	141	141	0.2765	99.2	KIOWA 7345.00 - RDRUNNER 7345.00 345KV CKT 1
FDNS	06ALL	2	25SP	ASGI_14_012	FROM->TO	COOPER RANCH SUB - OIL_CENTER 3115.00 115KV CKT 1	141	141	0.2765	99	RDRUNNER 7345.00 (UPDATE LATER) 345/115/13.2KV TRANSFORMER CKT 1
FDNS	06ALL	2	25SP	ASGI_14_012	FROM->TO	COOPER RANCH SUB - OIL_CENTER 3115.00 115KV CKT 1	141	141	0.24005	95.1	National Enrichment Plant Tap - TEAGUE SUB 115KV CKT 1
FDNS	06ALL	2	15SP	ASGI_14_012	FROM->TO	CUNNINGHAM STATION - MADDOX STATION 115KV CKT 1	160	160	0.06447	97.2	HOBBS INTERCHANGE - MADDOX STATION 115KV CKT 1
FDNS	06ALL	2	15SP	ASGI_14_012	FROM->TO	CURRY COUNTY INTERCHANGE - DEAF SMITH REC-#20 115KV CKT 1	96	96	0.05918	123.1635	DEAF SMITH COUNTY INTERCHANGE - PLANT X STATION 230KV CKT 1
FDNS	06ALL	2	20SP	ASGI_14_012	FROM->TO	CURRY COUNTY INTERCHANGE - DEAF SMITH REC-#20 115KV CKT 1	96	96	0.04449	106.7095	DEAF SMITH COUNTY INTERCHANGE - PLANT X STATION 230KV CKT 1
FDNS	06ALL	2	15SP	ASGI_14_012	FROM->TO	CURRY COUNTY INTERCHANGE - DEAF SMITH REC-#20 115KV CKT 1	96	96	0.04331	105.7855	LAWTON EASTSIDE - OKLAUNION 345KV CKT 1
FDNS	06ALL	2	15SP	ASGI_14_012	FROM->TO	CURRY COUNTY INTERCHANGE - DEAF SMITH REC-#20 115KV CKT 1	96	96	0.04351	97.4	SPP-SWPS-01
FDNS	06ALL	2	15SP	ASGI_14_012	FROM->TO	CURRY COUNTY INTERCHANGE - DEAF SMITH REC-#20 115KV CKT 1	96	96	0.04331	97.2	SPSCONT-01
FDNS	06ALL	2	15SP	ASGI_14_012	FROM->TO	CURRY COUNTY INTERCHANGE - DEAF SMITH REC-#20 115KV CKT 1	96	96	0.04331	97.1	OKLAUNION - TUCO INTERCHANGE 345KV CKT 1
FDNS	06ALL	2	15SP	ASGI_14_012	FROM->TO	CURRY COUNTY INTERCHANGE - DEAF SMITH REC-#20 115KV CKT 1	96	96	0.04438	95.9	NEWHART 230 - PLANT X STATION 230KV CKT 1
FDNS	06ALL	2	25SP	ASGI_14_012	FROM->TO	CURRY COUNTY INTERCHANGE - DEAF SMITH REC-#20 115KV CKT 1	96	96	0.0449	95.5	DEAF SMITH COUNTY INTERCHANGE - PLANT X STATION 230KV CKT 1
FDNS	06ALL	2	15SP	ASGI_14_012	TO->FROM	DEAF SMITH COUNTY INTERCHANGE - PLANT X STATION 230KV CKT 1	319	351	0.18416	109.6348	LAWTON EASTSIDE - OKLAUNION 345KV CKT 1
FDNS	06ALL	2	15SP	ASGI_14_012	TO->FROM	DEAF SMITH COUNTY INTERCHANGE - PLANT X STATION 230KV CKT 1	319	351	0.19726	97.1	NEWHART 230 - PLANT X STATION 230KV CKT 1
FDNS	06ALL	2	15SP	ASGI_14_012	TO->FROM	DEAF SMITH COUNTY INTERCHANGE - PLANT X STATION 230KV CKT 1	319	351	0.18531	96.4	SPP-SWPS-01
FDNS	06ALL	2	15SP	ASGI_14_012	TO->FROM	DEAF SMITH COUNTY INTERCHANGE - PLANT X STATION 230KV CKT 1	319	351	0.18416	96.1	SPSCONT-01
FDNS	06ALL	2	15SP	ASGI_14_012	TO->FROM	DEAF SMITH COUNTY INTERCHANGE - PLANT X STATION 230KV CKT 1	319	351	0.18416	96	OKLAUNION - TUCO INTERCHANGE 345KV CKT 1
FDNS	06ALL	2	15SP	ASGI_14_012	FROM->TO	DEAF SMITH REC-#20 - PARMER COUNTY SUB 115KV CKT 1	96	96	0.05918	109.9541	DEAF SMITH COUNTY INTERCHANGE - PLANT X STATION 230KV CKT 1
FDNS	06ALL	2	15SP	ASGI_14_012	TO->FROM	DEAF SMITH REC-#24 - PARMER COUNTY SUB 115KV CKT 1	96	96	0.05918	101.8097	DEAF SMITH COUNTY INTERCHANGE - PLANT X STATION 230KV CKT 1
FDNS	06ALL	2	15G	ASGI_14_012	FROM->TO	ELK CITY 230KV (ELKCTY-6) 230/138/13.8KV TRANSFORMER CKT 1	287	316	0.11232	106.8055	LAWTON EASTSIDE - OKLAUNION 345KV CKT 1
FDNS	06ALL	2	15G	ASGI_14_012	FROM->TO	ELK CITY 230KV (ELKCTY-6) 230/138/13.8KV TRANSFORMER CKT 1	287	316	0.11232	104.9756	LAWTON EASTSIDE - OKLAUNION 345KV CKT 1
FDNS	06ALL	2	15SP	ASGI_14_012	FROM->TO	ELK CITY 230KV (ELKCTY-6) 230/138/13.8KV TRANSFORMER CKT 1	272	316	0.12035	100.0284	LAWTON EASTSIDE - OKLAUNION 345KV CKT 1
FDNS	06ALL	2	15WP	ASGI_14_012	FROM->TO	ELK CITY 230KV (ELKCTY-6) 230/138/13.8KV TRANSFORMER CKT 1	287	316	0.12381	99.83074	LAWTON EASTSIDE - OKLAUNION 345KV CKT 1
FDNS	06ALL	2	15SP	ASGI_14_012	FROM->TO	ELK CITY 230KV (ELKCTY-6) 230/138/13.8KV TRANSFORMER CKT 1	272	316	0.12035	98.59394	LAWTON EASTSIDE - OKLAUNION 345KV CKT 1
FDNS	06ALL	2	15WP	ASGI_14_012	FROM->TO	ELK CITY 230KV (ELKCTY-6) 230/138/13.8KV TRANSFORMER CKT 1	287	316	0.12381	98.42802	LAWTON EASTSIDE - OKLAUNION 345KV CKT 1
FDNS	06ALL	2	15G	ASGI_14_012	FROM->TO	ELK CITY 230KV (ELKCTY-6) 230/138/13.8KV TRANSFORMER CKT 1	287	316	0.11232	97.6	SPSCONT-01
FDNS	06ALL	2	15G	ASGI_14_012	FROM->TO	ELK CITY 230KV (ELKCTY-6) 230/138/13.8KV TRANSFORMER CKT 1	287	316	0.09678	96.8	DBL-G1114-WW
FDNS	06ALL	2	15G	ASGI_14_012	FROM->TO	ELK CITY 230KV (ELKCTY-6) 230/138/13.8KV TRANSFORMER CKT 1	287	316	0.11293	96.7	SPP-SWPS-01
FDNS	06ALL	2	15G	ASGI_14_012	FROM->TO	ELK CITY 230KV (ELKCTY-6) 230/138/13.8KV TRANSFORMER CKT 1	287	316	0.11232	96.5	SPSCONT-01
FDNS	06ALL	2	15G	ASGI_14_012	FROM->TO	ELK CITY 230KV (ELKCTY-6) 230/138/13.8KV TRANSFORMER CKT 1	287	316	0.11232	96.2	OKLAUNION - TUCO INTERCHANGE 345KV CKT 1
FDNS	06ALL	2	15G	ASGI_14_012	FROM->TO	ELK CITY 230KV (ELKCTY-6) 230/138/13.8KV TRANSFORMER CKT 1	287	316	0.11293	95.7	SPP-SWPS-01
FDNS	06ALL	2	15G	ASGI_14_012	FROM->TO	ELK CITY 230KV (ELKCTY-6) 230/138/13.8KV TRANSFORMER CKT 1	287	316	0.09678	95.6	DBL-G1114-WW
FDNS	06ALL	2	15G	ASGI_14_012	FROM->TO	ELK CITY 230KV (ELKCTY-6) 230/138/13.8KV TRANSFORMER CKT 1	287	316	0.09678	95.5	DBL-BVR-G111
FDNS	06ALL	2	15G	ASGI_14_012	FROM->TO	ELK CITY 230KV (ELKCTY-6) 230/138/13.8KV TRANSFORMER CKT 1	287	316	0.11232	95.1	OKLAUNION - TUCO INTERCHANGE 345KV CKT 1
FDNS	06ALL	2	15SP	ASGI_14_012	TO->FROM	FLATRDG3 - THISTLE4 138.00 138KV CKT 1	286	286	0.04768	98.1	DBL-THIS-WIC
FDNS	06ALL	2	15G	ASGI_14_012	TO->FROM	FPL SWITCH - WOODWARD 138KV CKT 1	133	153	0.04536	161.0764	NORTHWEST - TATONGA7 345.00 345KV CKT 1
FDNS	06ALL	2	15G	ASGI_14_012	TO->FROM	FPL SWITCH - WOODWARD 138KV CKT 1	133	153	0.05353	159.4718	DBL-THIS-WWR
FDNS	06ALL	2	15G	ASGI_14_012	TO->FROM	FPL SWITCH - WOODWARD 138KV CKT 1	133	153	0.04536	157.784	SPSCONT-05B
FDNS	06ALL	2	15G	ASGI_14_012	TO->FROM	FPL SWITCH - WOODWARD 138KV CKT 1	133	153	0.04536	157.1004	SPSCONT-04
FDNS	06ALL	2	15G	ASGI_14_012	TO->FROM	FPL SWITCH - WOODWARD 138KV CKT 1	133	153	0.04288	154.0923	DBL-THIS-WIC
FDNS	06ALL	2	15G	ASGI_14_012	TO->FROM	FPL SWITCH - WOODWARD 138KV CKT 1	133	153	0.04725	152.7189	LAWTON EASTSIDE - OKLAUNION 345KV CKT 1
FDNS	06ALL	2	15G	ASGI_14_012	TO->FROM	FPL SWITCH - WOODWARD 138KV CKT 1	133	153	0.04536	147.5378	G11_051T 345.00 - TATONGA7 345.00 345KV CKT 1
FDNS	06ALL	2	15G	ASGI_14_012	TO->FROM	FPL SWITCH - WOODWARD 138KV CKT 1	133	153	0.04536	146.3224	G11_051T 345.00 - WOODWARD DISTRICT EHV 345KV CKT 1
FDNS	06ALL	2	15G	ASGI_14_012	TO->FROM	FPL SWITCH - WOODWARD 138KV CKT 1	133	153	0.03183	143.4813	WOODWARD (WOODWRD2) 138/69/13.2KV TRANSFORMER CKT 1
FDNS	06ALL	2	15G	ASGI_14_012	TO->FROM	FPL SWITCH - WOODWARD 138KV CKT 1	133	153	0.04536	143.1119	SPSCONT-05AX
FDNS	06ALL	2	15G	ASGI_14_012	TO->FROM	FPL SWITCH - WOODWARD 138KV CKT 1	133	153	0.04134	142.197	ELK CITY 230KV - SWEETWATER 230KV CKT 1
FDNS	06ALL	2	15G	ASGI_14_012	TO->FROM	FPL SWITCH - WOODWARD 138KV CKT 1	133	153	0.04134	142.1652	ELK CITY 230KV (ELKCTY-6) 230/138/13.8KV TRANSFORMER CKT 1
FDNS	06ALL	2	15G	ASGI_14_012	TO->FROM	FPL SWITCH - WOODWARD 138KV CKT 1	133	153	0.04725	141.5791	SPSCONT-01
FDNS	06ALL	2	15G	ASGI_14_012	TO->FROM	FPL SWITCH - WOODWARD 138KV CKT 1	133	153	0.04155	139.7583	SPP-SWPS-03
FDNS	06ALL	2	15G	ASGI_14_012	TO->FROM	FPL SWITCH - WOODWARD 138KV CKT 1	133	153	0.04725	139.3711	OKLAUNION - TUCO INTERCHANGE 345KV CKT 1
FDNS	06ALL	2	15G	ASGI_14_012	TO->FROM	FPL SWITCH - WOODWARD 138KV CKT 1	133	153	0.04705	139.1429	SPP-SWPS-01
FDNS	06ALL	2	15G	ASGI_14_012	TO->FROM	FPL SWITCH - WOODWARD 138KV CKT 1	133	153	0.04134	138.6541	SPP-SWPS-02A
FDNS	06ALL	2	15G	ASGI_14_012	TO->FROM	FPL SWITCH - WOODWARD 138KV CKT 1	133	153	0.04134	138.3635	GRAPEVINE INTERCHANGE - STATELINE INTERCHANGE 230KV CKT 1
FDNSLock	06ALL	2	15G	ASGI_14_012	TO->FROM	FPL SWITCH - WOODWARD 138KV CKT 1	133	153	0.03382	137.0502	IODINE - WOODWARD EHV 138KV CKT 1
FDNS	06ALL	2	15G	ASGI_14_012	TO->FROM	FPL SWITCH - WOODWARD 138KV CKT 1	133	153	0.03382	135.4149	DEWEY - IODINE 138KV CKT 1
FDNS	06ALL	2	15G	ASGI_14_012	TO->FROM	FPL SWITCH - WOODWARD 138KV CKT 1	133	153	0.04134	132.7991	STATELINE INTERCHANGE - STLN-DEMARC6 230KV CKT 1
FDNS	06ALL	2	15G	ASGI_14_012	TO->FROM	FPL SWITCH - WOODWARD 138KV CKT 1	133	153	0.04134	132.7953	SPP-SWPS-02
FDNS	06ALL	2	15G	ASGI_14_012	TO->FROM	FPL SWITCH - WOODWARD 138KV CKT 1	133	153	0.04134	132.7834	STLN-DEMARC6 - SWEETWATER 230KV CKT 1
FDNS	06ALL	2	15G	ASGI_14_012	TO->FROM	FPL SWITCH - WOODWARD 138KV CKT 1	133	153	0.03423	130.4683	GRAPEVINE INTERCHANGE - NICHOLS STATION 230KV CKT 1
FDNS	06ALL	2	15G	ASGI_14_012	TO->FROM	FPL SWITCH - WOODWARD 138KV CKT 1	133	153	0.03183	130.1106	WOODWARD - WOODWARD 69KV CKT 1
FDNS	06ALL	2	15G	ASGI_14_012	TO->FROM	FPL SWITCH - WOODWARD 138KV CKT 1	133	153	0.0346	126.1934	THISTLE7 345.00 - WOODWARD DISTRICT EHV 345KV CKT 1
FDNS	06ALL	2	15G	ASGI_14_012	TO->FROM	FPL SWITCH - WOODWARD 138KV CKT 1	133	153	0.0346	126.1934	THISTLE7 345.00 - WOODWARD DISTRICT EHV 345KV CKT 2
FDNS	06ALL	2	15G	ASGI_14_012	TO->FROM	FPL SWITCH - WOODWARD 138KV CKT 1	133	153	0.03403	124.5364	FINNEY SWITCHING STATION - HOLCOMB 345KV CKT 1
FDNS	06ALL	2	15G	ASGI_14_012	TO->FROM	FPL SWITCH - WOODWARD 138KV CKT 1	133	153	0.03167	124.2225	THISTLE7 345.00 - WICHITA 345KV CKT 1
FDNS	06ALL	2	15G	ASGI_14_012	TO->FROM	FPL SWITCH - WOODWARD 138KV CKT 1	133	153	0.03167	124.2225	THISTLE7 345.00 - WICHITA 345KV CKT 2
FDNS	06ALL	2	15G	ASGI_14_012	TO->FROM	FPL SWITCH - WOODWARD 138KV CKT 1	133	153	0.03403	123.294	SPP-SWPS-05
FDNS	06ALL	2	15G	ASGI_14_012	TO->FROM	FPL SWITCH - WOODWARD 138KV CKT 1	133	153	0.03403	123.2358	FINNEY SWITCHING STATION - Hitchland Interchange 345KV CKT 1
FDNS	06ALL	2	15G	ASGI_14_012	TO->FROM	FPL SWITCH - WOODWARD 138KV CKT 1	133	153	0.03145	120.7881	ELLIS 4 138.00 - RED HILLS WIND 138KV CKT 1
FDNS	06ALL	2	15G	ASGI_14_012	TO->FROM	FPL SWITCH - WOODWARD 138KV CKT 1	133	153	0.03145	118.2424	ELLIS 4 138.00 - MOREWOOD SW 138KV CKT 1
FDNS	06ALL	2	15SP	ASGI_14_012	TO->FROM	FPL SWITCH - WOODWARD 138KV CKT 1	133	153	0.05679	111.8037	DBL-THIS-WWR

SOLUTION	GROUP	SCENARIO	SEASON	SOURCE	DIRECTION	MONITORED ELEMENT	RATEA (MVA)	RATEB(MVA)	TC%LOADING TDF (% MVA)	CONTINGENCY	
FDNS	06ALL	2	15G	ASGI_14_012	TO->FROM	FPL SWITCH - WOODWARD 138KV CKT 1	133	153	0.03145	105.8822	ELK CITY - RED HILLS WIND 138KV CKT 1
FDNS	06ALL	2	15SP	ASGI_14_012	TO->FROM	FPL SWITCH - WOODWARD 138KV CKT 1	133	153	0.04832	105.4283	NORTHWEST - TATONGA7 345.00 345KV CKT 1
FDNS	06ALL	2	15SP	ASGI_14_012	TO->FROM	FPL SWITCH - WOODWARD 138KV CKT 1	133	153	0.05025	104.792	LAWTON EASTSIDE - OKLAUNION 345KV CKT 1
FDNS	06ALL	2	15SP	ASGI_14_012	TO->FROM	FPL SWITCH - WOODWARD 138KV CKT 1	133	153	0.04832	102.6609	SPSCONT-05B
FDNS	06ALL	2	15SP	ASGI_14_012	TO->FROM	FPL SWITCH - WOODWARD 138KV CKT 1	133	153	0.04832	101.5196	SPSCONT-04
FDNS	06ALL	2	15SP	ASGI_14_012	TO->FROM	FPL SWITCH - WOODWARD 138KV CKT 1	133	153	0.04582	100.868	DBL-THIS-WIC
FDNS	06ALL	2	15SP	ASGI_14_012	TO->FROM	FPL SWITCH - WOODWARD 138KV CKT 1	133	153	0.03514	97.8	WOODWARD (WOODWRD2) 138/69/13.2KV TRANSFORMER CKT 1
FDNS	06ALL	2	20WP	ASGI_14_012	TO->FROM	FPL SWITCH - WOODWARD 138KV CKT 1	171	185	0.05093	96.8	NORTHWEST - TATONGA7 345.00 345KV CKT 1
FDNS	06ALL	2	20WP	ASGI_14_012	TO->FROM	FPL SWITCH - WOODWARD 138KV CKT 1	171	185	0.06044	96.1	DBL-THIS-WWR
FDNS	06ALL	2	15G	ASGI_14_012	TO->FROM	GRAPEVINE INTERCHANGE - NICHOLS STATION 230KV CKT 1	319	351	0.1009	104.1544	LAWTON EASTSIDE - OKLAUNION 345KV CKT 1
FDNS	06ALL	2	20WP	ASGI_14_012	TO->FROM	GRAPEVINE INTERCHANGE - NICHOLS STATION 230KV CKT 1	329	361	0.12844	102.6379	LAWTON EASTSIDE - OKLAUNION 345KV CKT 1
FDNS	06ALL	2	15SP	ASGI_14_012	TO->FROM	GRAPEVINE INTERCHANGE - NICHOLS STATION 230KV CKT 1	319	351	0.10246	99.55632	LAWTON EASTSIDE - OKLAUNION 345KV CKT 1
FDNS	06ALL	2	15G	ASGI_14_012	FROM->TO	GRAPEVINE INTERCHANGE - STATELINE INTERCHANGE 230KV CKT 1	319	351	0.11232	96.1822	LAWTON EASTSIDE - OKLAUNION 345KV CKT 1
FDNS	06ALL	2	15G	ASGI_14_012	FROM->TO	HARPER - MILAN TAP 138KV CKT 1	138	143	0.0328	116.4392	DBL-THIS-WIC
FDNS	06ALL	2	15SP	ASGI_14_012	FROM->TO	HARPER - MILAN TAP 138KV CKT 1	127	136	0.03303	104.4461	DBL-THIS-WIC
FDNS	06ALL	2	15WP	ASGI_14_012	FROM->TO	HARPER - MILAN TAP 138KV CKT 1	143	143	0.03305	102.7312	DBL-THIS-WIC
FDNS	06ALL	2	25SP	ASGI_14_012	TO->FROM	LEA ROAD SUB - OIL_CENTER 3115.00 115KV CKT 1	141	141	0.28192	109.5657	HOBBS - KIOWA 7345.00 345KV CKT 1
FDNS	06ALL	2	25SP	ASGI_14_012	TO->FROM	LEA ROAD SUB - OIL_CENTER 3115.00 115KV CKT 1	141	141	0.26474	109.199	National Enrichment Plant Sub - TARGA 3115.00 115KV CKT 1
FDNS	06ALL	2	25SP	ASGI_14_012	TO->FROM	LEA ROAD SUB - OIL_CENTER 3115.00 115KV CKT 1	141	141	0.26474	105.2644	National Enrichment Plant Tap - TARGA 3115.00 115KV CKT 1
FDNS	06ALL	2	25SP	ASGI_14_012	TO->FROM	LEA ROAD SUB - OIL_CENTER 3115.00 115KV CKT 1	141	141	0.2765	98.4	KIOWA 7345.00 - RDRUNNER 7345.00 345KV CKT 1
FDNS	06ALL	2	25SP	ASGI_14_012	TO->FROM	LEA ROAD SUB - OIL_CENTER 3115.00 115KV CKT 1	141	141	0.2765	98.2	RDRUNNER 7345.00 (UPDATE LATER) 345/115/13.2KV TRANSFORMER CKT 1
FDNS	06ALL	2	25SP	ASGI_14_012	FROM->TO	LEA ROAD SUB - WARD SUB 115KV CKT 1	120	141	0.28192	99	HOBBS - KIOWA 7345.00 345KV CKT 1
FDNS	06ALL	2	25SP	ASGI_14_012	FROM->TO	LEA ROAD SUB - WARD SUB 115KV CKT 1	120	141	0.26474	98	National Enrichment Plant Sub - TARGA 3115.00 115KV CKT 1
FDNS	06ALL	2	25SP	ASGI_14_012	TO->FROM	OCHOA SUB - PNDEROSATP 3115.00 115KV CKT 1	141	141	0.14347	125.9066	HOBBS - KIOWA 7345.00 345KV CKT 1
FDNS	06ALL	2	25SP	ASGI_14_012	TO->FROM	OCHOA SUB - PNDEROSATP 3115.00 115KV CKT 1	141	141	0.13094	109.7277	KIOWA 7345.00 - RDRUNNER 7345.00 345KV CKT 1
FDNS	06ALL	2	25SP	ASGI_14_012	TO->FROM	OCHOA SUB - PNDEROSATP 3115.00 115KV CKT 1	141	141	0.13094	109.3018	RDRUNNER 7345.00 (UPDATE LATER) 345/115/13.2KV TRANSFORMER CKT 1
FDNS	06ALL	2	20SP	ASGI_14_012	TO->FROM	OCHOA SUB - PNDEROSATP 3115.00 115KV CKT 1	141	141	0.14348	99.2	HOBBS - KIOWA 7345.00 345KV CKT 1
FDNS	06ALL	2	15WP	ASGI_14_012	TO->FROM	PLANT X STATION - TOLK STATION EAST 230KV CKT 2	557	557	0.25781	99.7	PLANT X STATION - TOLK STATION WEST 230KV CKT 1
FDNS	06ALL	2	20SP	ASGI_14_012	TO->FROM	PLANT X STATION - TOLK STATION EAST 230KV CKT 2	478	502	0.18608	96.2	PLANT X STATION - TOLK STATION WEST 230KV CKT 1
FDNS	06ALL	2	20SP	ASGI_14_012	TO->FROM	PLANT X STATION - TOLK STATION WEST 230KV CKT 1	478	502	0.18793	96.9	PLANT X STATION - TOLK STATION EAST 230KV CKT 2
FDNS	06ALL	2	15SP	ASGI_14_012	FROM->TO	PLANT X STATION (WH ALM20171) 230/115/13.2KV TRANSFORMER CKT 1	252	252	0.09397	106.9543	NEWHART 230 - PLANT X STATION 230KV CKT 1
FDNS	06ALL	2	15SP	ASGI_14_012	FROM->TO	PLANT X STATION (WH ALM20171) 230/115/13.2KV TRANSFORMER CKT 1	252	252	0.05365	104.7846	LAMB COUNTY INTERCHANGE (WH ALM20172) 230/115/13.2KV TRANSFORMER CKT 1
FDNS	06ALL	2	15SP	ASGI_14_012	FROM->TO	PLANT X STATION (WH ALM20171) 230/115/13.2KV TRANSFORMER CKT 1	252	252	0.05365	104.7807	SPP-SWPS-K37
FDNS	06ALL	2	15SP	ASGI_14_012	FROM->TO	PLANT X STATION (WH ALM20171) 230/115/13.2KV TRANSFORMER CKT 1	252	252	0.05365	104.7599	LAMB COUNTY INTERCHANGE - TOLK STATION WEST 230KV CKT 1
FDNS	06ALL	2	15SP	ASGI_14_012	FROM->TO	PLANT X STATION (WH ALM20171) 230/115/13.2KV TRANSFORMER CKT 1	252	252	0.09397	104.2664	NEWHART 230 - PLANT X STATION 230KV CKT 1
FDNS	06ALL	2	15SP	ASGI_14_012	FROM->TO	PLANT X STATION (WH ALM20171) 230/115/13.2KV TRANSFORMER CKT 1	252	252	0.08066	102.3785	DEAF SMITH COUNTY INTERCHANGE - PLANT X STATION 230KV CKT 1
FDNS	06ALL	2	15SP	ASGI_14_012	FROM->TO	PLANT X STATION (WH ALM20171) 230/115/13.2KV TRANSFORMER CKT 1	252	252	0.05365	102.3506	LAMB COUNTY INTERCHANGE (WH ALM20172) 230/115/13.2KV TRANSFORMER CKT 1
FDNS	06ALL	2	15SP	ASGI_14_012	FROM->TO	PLANT X STATION (WH ALM20171) 230/115/13.2KV TRANSFORMER CKT 1	252	252	0.05365	102.3469	SPP-SWPS-K37
FDNS	06ALL	2	15SP	ASGI_14_012	FROM->TO	PLANT X STATION (WH ALM20171) 230/115/13.2KV TRANSFORMER CKT 1	252	252	0.05365	102.3256	LAMB COUNTY INTERCHANGE - TOLK STATION WEST 230KV CKT 1
FDNS	06ALL	2	15SP	ASGI_14_012	FROM->TO	PLANT X STATION (WH ALM20171) 230/115/13.2KV TRANSFORMER CKT 1	252	252	0.08066	99.6	DEAF SMITH COUNTY INTERCHANGE - PLANT X STATION 230KV CKT 1
FDNS	06ALL	2	15SP	ASGI_14_012	FROM->TO	PLANT X STATION (WH ALM20171) 230/115/13.2KV TRANSFORMER CKT 1	252	252	0.05293	95.6	GEN525493 1-PLANT X GEN #3
FDNS	06ALL	2	25SP	ASGI_14_012	TO->FROM	PNDEROSATP 3115.00 - WHITTEN SUB 115KV CKT 1	141	141	0.14347	145.6841	HOBBS - KIOWA 7345.00 345KV CKT 1
FDNS	06ALL	2	25SP	ASGI_14_012	TO->FROM	PNDEROSATP 3115.00 - WHITTEN SUB 115KV CKT 1	141	141	0.13094	129.8049	KIOWA 7345.00 - RDRUNNER 7345.00 345KV CKT 1
FDNS	06ALL	2	25SP	ASGI_14_012	TO->FROM	PNDEROSATP 3115.00 - WHITTEN SUB 115KV CKT 1	141	141	0.13094	129.3863	RDRUNNER 7345.00 (UPDATE LATER) 345/115/13.2KV TRANSFORMER CKT 1
FDNS	06ALL	2	20SP	ASGI_14_012	TO->FROM	PNDEROSATP 3115.00 - WHITTEN SUB 115KV CKT 1	141	141	0.14348	114.394	HOBBS - KIOWA 7345.00 345KV CKT 1
FDNS	06ALL	2	20SP	ASGI_14_012	TO->FROM	PNDEROSATP 3115.00 - WHITTEN SUB 115KV CKT 1	141	141	0.13094	108.1531	KIOWA 7345.00 - RDRUNNER 7345.00 345KV CKT 1
FDNS	06ALL	2	20SP	ASGI_14_012	TO->FROM	PNDEROSATP 3115.00 - WHITTEN SUB 115KV CKT 1	141	141	0.13094	107.8254	RDRUNNER 7345.00 (UPDATE LATER) 345/115/13.2KV TRANSFORMER CKT 1
FDNS	06ALL	2	20WP	ASGI_14_012	FROM->TO	TUCO INTERCHANGE - TUCO_2 230.00 230KV CKT 1	329	361	0.12971	101.7389	SPP-SWPS-01
FDNS	06ALL	2	20WP	ASGI_14_012	FROM->TO	TUCO INTERCHANGE - TUCO_2 230.00 230KV CKT 1	329	361	0.13144	100.0723	TUCO INTERCHANGE (GE M1022338) 345/230/13.2KV TRANSFORMER CKT 1
FDNS	06ALL	2	15G	ASGI_14_012	FROM->TO	TUCO INTERCHANGE - TUCO_2 230.00 230KV CKT 1	319	351	0.16138	98.75284	LAWTON EASTSIDE - OKLAUNION 345KV CKT 1
FDNS	06ALL	2	15SP	ASGI_14_012	FROM->TO	TUCO INTERCHANGE - TUCO_2 230.00 230KV CKT 1	319	351	0.19617	96.5	TUCO INTERCHANGE - TUCO_2 345.00 345KV CKT 1
FDNS	06ALL	2	15WP	ASGI_14_012	FROM->TO	TUCO INTERCHANGE - TUCO_2 230.00 230KV CKT 1	329	361	0.22717	96.4	TUCO INTERCHANGE (GE M1022338) 345/230/13.2KV TRANSFORMER CKT 1
FDNS	06ALL	2	15WP	ASGI_14_012	FROM->TO	TUCO INTERCHANGE - TUCO_2 230.00 230KV CKT 1	329	361	0.21838	95.1	SPP-SWPS-01
FDNS	06ALL	2	25SP	ASGI_14_012	FROM->TO	WARD SUB - WHITTEN SUB 115KV CKT 1	141	141	0.28192	97.2	HOBBS - KIOWA 7345.00 345KV CKT 1
FDNS	06ALL	2	25SP	ASGI_14_012	FROM->TO	WARD SUB - WHITTEN SUB 115KV CKT 1	141	141	0.26474	96.1	National Enrichment Plant Sub - TARGA 3115.00 115KV CKT 1
FDNS	06ALL	3	15G	ASGI_14_012	FROM->TO	CLEARWATER - GILL ENERGY CENTER WEST 138KV CKT 1	143	143	0.03284	100.3353	DBL-THIS-WIC
FDNS	06ALL	3	15G	ASGI_14_012	TO->FROM	CLEARWATER - MILAN TAP 138KV CKT 1	110	110	0.03284	139.9081	DBL-THIS-WIC
FDNS	06ALL	3	20WP	ASGI_14_012	TO->FROM	CLEARWATER - MILAN TAP 138KV CKT 1	110	110	0.03271	108.5249	DBL-THIS-WIC
FDNS	06ALL	3	15WP	ASGI_14_012	TO->FROM	CLEARWATER - MILAN TAP 138KV CKT 1	110	110	0.03308	106.1126	DBL-THIS-WIC
FDNS	06ALL	3	15SP	ASGI_14_012	TO->FROM	CLEARWATER - MILAN TAP 138KV CKT 1	110	110	0.03305	99.9	DBL-THIS-WIC
FDNS	06ALL	3	25SP	ASGI_14_012	FROM->TO	COOPER RANCH SUB - OIL_CENTER 3115.00 115KV CKT 1	141	141	0.28192	110.2492	HOBBS - KIOWA 7345.00 345KV CKT 1
FDNS	06ALL	3	25SP	ASGI_14_012	FROM->TO	COOPER RANCH SUB - OIL_CENTER 3115.00 115KV CKT 1	141	141	0.26474	110.0304	National Enrichment Plant Sub - TARGA 3115.00 115KV CKT 1
FDNS	06ALL	3	25SP	ASGI_14_012	FROM->TO	COOPER RANCH SUB - OIL_CENTER 3115.00 115KV CKT 1	141	141	0.26474	106.062	National Enrichment Plant Tap - TARGA 3115.00 115KV CKT 1
FDNS	06ALL	3	25SP	ASGI_14_012	FROM->TO	COOPER RANCH SUB - OIL_CENTER 3115.00 115KV CKT 1	141	141	0.2765	99.2	KIOWA 7345.00 - RDRUNNER 7345.00 345KV CKT 1
FDNS	06ALL	3	25SP	ASGI_14_012	FROM->TO	COOPER RANCH SUB - OIL_CENTER 3115.00 115KV CKT 1	141	141	0.2765	99	RDRUNNER 7345.00 (UPDATE LATER) 345/115/13.2KV TRANSFORMER CKT 1
FDNS	06ALL	3	25SP	ASGI_14_012	FROM->TO	COOPER RANCH SUB - OIL_CENTER 3115.00 115KV CKT 1	141	141	0.24005	95.1	National Enrichment Plant Tap - TEAGUE SUB 115KV CKT 1
FDNS	06ALL	3	15SP	ASGI_14_012	FROM->TO	CUNNINGHAM STATION - MADDOX STATION 115KV CKT 1	160	160	0.07263	98	HOBBS INTERCHANGE - MADDOX STATION 115KV CKT 1
FDNS	06ALL	3	15SP	ASGI_14_012	FROM->TO	CURRY COUNTY INTERCHANGE - DEAF SMITH REC-#20 115KV CKT 1	96	96	0.05932	120.7305	DEAF SMITH COUNTY INTERCHANGE - PLANT X STATION 230KV CKT 1
FDNS	06ALL	3	20SP	ASGI_14_012	FROM->TO	CURRY COUNTY INTERCHANGE - DEAF SMITH REC-#20 115KV CKT 1	96	96	0.04453	104.6276	DEAF SMITH COUNTY INTERCHANGE - PLANT X STATION 230KV CKT 1
FDNS	06ALL	3	15SP	ASGI_14_012	FROM->TO	CURRY COUNTY INTERCHANGE - DEAF SMITH REC-#20 115KV CKT 1	96	96	0.04343	103.3912	LAWTON EASTSIDE - OKLAUNION 345KV CKT 1
FDNS	06ALL	3	15SP	ASGI_14_012	TO->FROM	DEAF SMITH COUNTY INTERCHANGE - PLANT X STATION 230KV CKT 1	319	351	0.18433	109.4403	LAWTON EASTSIDE - OKLAUNION 345KV CKT 1
FDNS	06ALL	3	15SP	ASGI_14_012	TO->FROM	DEAF SMITH COUNTY INTERCHANGE - PLANT X STATION 230KV CKT 1	319	351	0.19749	96.9	NEWHART 230 - PLANT X STATION 230KV CKT 1

SOLUTION	GROUP	SCENARIO	SEASON	SOURCE	DIRECTION	MONITORED ELEMENT	RATEA (MVA)	RATEB (MVA)	TDF	TC%LOADING (% MVA)	CONTINGENCY
FDNS	06ALL	3	15SP	ASGI_14_012	TO->FROM	DEAF SMITH COUNTY INTERCHANGE - PLANT X STATION 230KV CKT 1	319	351	0.18548	96.2	SPP-SWPS-01
FDNS	06ALL	3	15SP	ASGI_14_012	TO->FROM	DEAF SMITH COUNTY INTERCHANGE - PLANT X STATION 230KV CKT 1	319	351	0.18433	96	SPSCONT-01
FDNS	06ALL	3	15SP	ASGI_14_012	TO->FROM	DEAF SMITH COUNTY INTERCHANGE - PLANT X STATION 230KV CKT 1	319	351	0.18433	95.8	OKLAUNION - TUCO INTERCHANGE 345KV CKT 1
FDNS	06ALL	3	15SP	ASGI_14_012	FROM->TO	DEAF SMITH REC-#20 - PARMER COUNTY SUB 115KV CKT 1	96	96	0.05932	107.5483	DEAF SMITH COUNTY INTERCHANGE - PLANT X STATION 230KV CKT 1
FDNS	06ALL	3	15SP	ASGI_14_012	TO->FROM	DEAF SMITH REC-#24 - PARMER COUNTY SUB 115KV CKT 1	96	96	0.05932	99.8	DEAF SMITH COUNTY INTERCHANGE - PLANT X STATION 230KV CKT 1
FDNS	06ALL	3	15G	ASGI_14_012	FROM->TO	ELK CITY 230KV (ELKCTY-6) 230/138/13.8KV TRANSFORMER CKT 1	287	316	0.11246	106.8002	LAWTON EASTSIDE - OKLAUNION 345KV CKT 1
FDNS	06ALL	3	15G	ASGI_14_012	FROM->TO	ELK CITY 230KV (ELKCTY-6) 230/138/13.8KV TRANSFORMER CKT 1	287	316	0.11246	104.9708	LAWTON EASTSIDE - OKLAUNION 345KV CKT 1
FDNS	06ALL	3	15SP	ASGI_14_012	FROM->TO	ELK CITY 230KV (ELKCTY-6) 230/138/13.8KV TRANSFORMER CKT 1	272	316	0.12044	100.0238	LAWTON EASTSIDE - OKLAUNION 345KV CKT 1
FDNS	06ALL	3	15WP	ASGI_14_012	FROM->TO	ELK CITY 230KV (ELKCTY-6) 230/138/13.8KV TRANSFORMER CKT 1	287	316	0.12395	99.80477	LAWTON EASTSIDE - OKLAUNION 345KV CKT 1
FDNS	06ALL	3	15SP	ASGI_14_012	FROM->TO	ELK CITY 230KV (ELKCTY-6) 230/138/13.8KV TRANSFORMER CKT 1	272	316	0.12044	98.58963	LAWTON EASTSIDE - OKLAUNION 345KV CKT 1
FDNS	06ALL	3	15WP	ASGI_14_012	FROM->TO	ELK CITY 230KV (ELKCTY-6) 230/138/13.8KV TRANSFORMER CKT 1	287	316	0.12395	98.40416	LAWTON EASTSIDE - OKLAUNION 345KV CKT 1
FDNS	06ALL	3	15G	ASGI_14_012	FROM->TO	ELK CITY 230KV (ELKCTY-6) 230/138/13.8KV TRANSFORMER CKT 1	287	316	0.11246	97.5	SPSCONT-01
FDNS	06ALL	3	15G	ASGI_14_012	FROM->TO	ELK CITY 230KV (ELKCTY-6) 230/138/13.8KV TRANSFORMER CKT 1	287	316	0.11307	96.7	SPP-SWPS-01
FDNS-CHECK-TC-Iteration Limit Exceeded.	06ALL	3	15G	ASGI_14_012	FROM->TO	ELK CITY 230KV (ELKCTY-6) 230/138/13.8KV TRANSFORMER CKT 1	287	316	0.09693	96.7	DBL-G1114-WW
FDNS	06ALL	3	15G	ASGI_14_012	FROM->TO	ELK CITY 230KV (ELKCTY-6) 230/138/13.8KV TRANSFORMER CKT 1	287	316	0.11246	96.5	SPSCONT-01
FDNS	06ALL	3	15G	ASGI_14_012	FROM->TO	ELK CITY 230KV (ELKCTY-6) 230/138/13.8KV TRANSFORMER CKT 1	287	316	0.11246	96.4	OKLAUNION - TUCO INTERCHANGE 345KV CKT 1
FDNS	06ALL	3	15G	ASGI_14_012	FROM->TO	ELK CITY 230KV (ELKCTY-6) 230/138/13.8KV TRANSFORMER CKT 1	287	316	0.09693	95.6	DBL-BVR-G111
FDNS-CHECK-TC-Iteration Limit Exceeded.	06ALL	3	15G	ASGI_14_012	FROM->TO	ELK CITY 230KV (ELKCTY-6) 230/138/13.8KV TRANSFORMER CKT 1	287	316	0.09693	95.6	DBL-G1114-WW
FDNS	06ALL	3	15G	ASGI_14_012	FROM->TO	ELK CITY 230KV (ELKCTY-6) 230/138/13.8KV TRANSFORMER CKT 1	287	316	0.11307	95.5	SPP-SWPS-01
FDNS	06ALL	3	15G	ASGI_14_012	FROM->TO	ELK CITY 230KV (ELKCTY-6) 230/138/13.8KV TRANSFORMER CKT 1	287	316	0.11246	95.3	OKLAUNION - TUCO INTERCHANGE 345KV CKT 1
FDNS	06ALL	3	15SP	ASGI_14_012	TO->FROM	FLATRDG3 - THISTLE4 138.00 138KV CKT 1	286	286	0.04771	98.1	DBL-THIS-WIC
FDNS	06ALL	3	15G	ASGI_14_012	TO->FROM	FPL SWITCH - WOODWARD 138KV CKT 1	133	153	0.04542	161.139	NORTHWEST - TATONGA7 345.00 345KV CKT 1
FDNS	06ALL	3	15G	ASGI_14_012	TO->FROM	FPL SWITCH - WOODWARD 138KV CKT 1	133	153	0.05359	159.4606	DBL-THIS-WWR
FDNS	06ALL	3	15G	ASGI_14_012	TO->FROM	FPL SWITCH - WOODWARD 138KV CKT 1	133	153	0.04542	157.7752	SPSCONT-05B
FDNS	06ALL	3	15G	ASGI_14_012	TO->FROM	FPL SWITCH - WOODWARD 138KV CKT 1	133	153	0.04542	157.1729	SPSCONT-04
FDNS	06ALL	3	15G	ASGI_14_012	TO->FROM	FPL SWITCH - WOODWARD 138KV CKT 1	133	153	0.04293	154.0712	DBL-THIS-WIC
FDNS	06ALL	3	15G	ASGI_14_012	TO->FROM	FPL SWITCH - WOODWARD 138KV CKT 1	133	153	0.04731	152.6468	LAWTON EASTSIDE - OKLAUNION 345KV CKT 1
FDNS	06ALL	3	15G	ASGI_14_012	TO->FROM	FPL SWITCH - WOODWARD 138KV CKT 1	133	153	0.04542	147.5252	G11_051T 345.00 - TATONGA7 345.00 345KV CKT 1
FDNS	06ALL	3	15G	ASGI_14_012	TO->FROM	FPL SWITCH - WOODWARD 138KV CKT 1	133	153	0.04542	146.2378	G11_051T 345.00 - WOODWARD DISTRICT EHV 345KV CKT 1
FDNS	06ALL	3	15G	ASGI_14_012	TO->FROM	FPL SWITCH - WOODWARD 138KV CKT 1	133	153	0.03187	143.417	WOODWARD (WOODWRD2) 138/69/13.2KV TRANSFORMER CKT 1
FDNS	06ALL	3	15G	ASGI_14_012	TO->FROM	FPL SWITCH - WOODWARD 138KV CKT 1	133	153	0.04542	143.0314	SPSCONT-05AX
FDNS	06ALL	3	15G	ASGI_14_012	TO->FROM	FPL SWITCH - WOODWARD 138KV CKT 1	133	153	0.04139	142.1867	ELK CITY 230KV - SWEETWATER 230KV CKT 1
FDNS	06ALL	3	15G	ASGI_14_012	TO->FROM	FPL SWITCH - WOODWARD 138KV CKT 1	133	153	0.04139	142.1522	ELK CITY 230KV (ELKCTY-6) 230/138/13.8KV TRANSFORMER CKT 1
FDNS	06ALL	3	15G	ASGI_14_012	TO->FROM	FPL SWITCH - WOODWARD 138KV CKT 1	133	153	0.04731	141.5408	SPSCONT-01
FDNS	06ALL	3	15G	ASGI_14_012	TO->FROM	FPL SWITCH - WOODWARD 138KV CKT 1	133	153	0.0416	139.7718	SPP-SWPS-03
FDNS	06ALL	3	15G	ASGI_14_012	TO->FROM	FPL SWITCH - WOODWARD 138KV CKT 1	133	153	0.04731	139.4068	OKLAUNION - TUCO INTERCHANGE 345KV CKT 1
FDNS	06ALL	3	15G	ASGI_14_012	TO->FROM	FPL SWITCH - WOODWARD 138KV CKT 1	133	153	0.0471	139.2189	SPP-SWPS-01
FDNS	06ALL	3	15G	ASGI_14_012	TO->FROM	FPL SWITCH - WOODWARD 138KV CKT 1	133	153	0.04139	138.5807	SPP-SWPS-02A
FDNS	06ALL	3	15G	ASGI_14_012	TO->FROM	FPL SWITCH - WOODWARD 138KV CKT 1	133	153	0.04139	138.419	GRAPEVINE INTERCHANGE - STATELINE INTERCHANGE 230KV CKT 1
FDNS	06ALL	3	15G	ASGI_14_012	TO->FROM	FPL SWITCH - WOODWARD 138KV CKT 1	133	153	0.03386	137.3554	IODINE - WOODWARD EHV 138KV CKT 1
FDNS	06ALL	3	15G	ASGI_14_012	TO->FROM	FPL SWITCH - WOODWARD 138KV CKT 1	133	153	0.03386	135.3142	DEWEY - IODINE 138KV CKT 1
FDNS	06ALL	3	15G	ASGI_14_012	TO->FROM	FPL SWITCH - WOODWARD 138KV CKT 1	133	153	0.04139	132.9488	STATELINE INTERCHANGE - STLN-DEMARC6 230KV CKT 1
FDNS	06ALL	3	15G	ASGI_14_012	TO->FROM	FPL SWITCH - WOODWARD 138KV CKT 1	133	153	0.04139	132.9455	SPP-SWPS-02
FDNS	06ALL	3	15G	ASGI_14_012	TO->FROM	FPL SWITCH - WOODWARD 138KV CKT 1	133	153	0.04139	132.9341	STLN-DEMARC6 - SWEETWATER 230KV CKT 1
FDNS	06ALL	3	15G	ASGI_14_012	TO->FROM	FPL SWITCH - WOODWARD 138KV CKT 1	133	153	0.03428	130.4008	GRAPEVINE INTERCHANGE - NICHOLS STATION 230KV CKT 1
FDNS	06ALL	3	15G	ASGI_14_012	TO->FROM	FPL SWITCH - WOODWARD 138KV CKT 1	133	153	0.03187	130.0269	WOODWARD - WOODWARD 69KV CKT 1
FDNS	06ALL	3	15G	ASGI_14_012	TO->FROM	FPL SWITCH - WOODWARD 138KV CKT 1	133	153	0.03464	126.1489	THISTLE7 345.00 - WOODWARD DISTRICT EHV 345KV CKT 1
FDNS	06ALL	3	15G	ASGI_14_012	TO->FROM	FPL SWITCH - WOODWARD 138KV CKT 1	133	153	0.03464	126.1489	THISTLE7 345.00 - WOODWARD DISTRICT EHV 345KV CKT 2
FDNS	06ALL	3	15G	ASGI_14_012	TO->FROM	FPL SWITCH - WOODWARD 138KV CKT 1	133	153	0.03407	124.4764	FINNEY SWITCHING STATION - HOLCOMB 345KV CKT 1
FDNS	06ALL	3	15G	ASGI_14_012	TO->FROM	FPL SWITCH - WOODWARD 138KV CKT 1	133	153	0.0317	124.1911	THISTLE7 345.00 - WICHITA 345KV CKT 1
FDNS	06ALL	3	15G	ASGI_14_012	TO->FROM	FPL SWITCH - WOODWARD 138KV CKT 1	133	153	0.0317	124.1911	THISTLE7 345.00 - WICHITA 345KV CKT 2
FDNS	06ALL	3	15G	ASGI_14_012	TO->FROM	FPL SWITCH - WOODWARD 138KV CKT 1	133	153	0.03407	123.2348	SPP-SWPS-05
FDNS	06ALL	3	15G	ASGI_14_012	TO->FROM	FPL SWITCH - WOODWARD 138KV CKT 1	133	153	0.03407	123.1767	FINNEY SWITCHING STATION - Hitchland Interchange 345KV CKT 1
FDNS	06ALL	3	15G	ASGI_14_012	TO->FROM	FPL SWITCH - WOODWARD 138KV CKT 1	133	153	0.03149	120.7358	ELLIS 4 138.00 - RED HILLS WIND 138KV CKT 1
FDNS	06ALL	3	15G	ASGI_14_012	TO->FROM	FPL SWITCH - WOODWARD 138KV CKT 1	133	153	0.03149	118.208	ELLIS 4 138.00 - MOREWOOD SW 138KV CKT 1
FDNS	06ALL	3	15SP	ASGI_14_012	TO->FROM	FPL SWITCH - WOODWARD 138KV CKT 1	133	153	0.05682	111.727	DBL-THIS-WWR
FDNS	06ALL	3	15G	ASGI_14_012	TO->FROM	FPL SWITCH - WOODWARD 138KV CKT 1	133	153	0.03149	106.2134	ELK CITY - RED HILLS WIND 138KV CKT 1
FDNS	06ALL	3	15SP	ASGI_14_012	TO->FROM	FPL SWITCH - WOODWARD 138KV CKT 1	133	153	0.04835	105.3474	NORTHWEST - TATONGA7 345.00 345KV CKT 1
FDNS	06ALL	3	15SP	ASGI_14_012	TO->FROM	FPL SWITCH - WOODWARD 138KV CKT 1	133	153	0.05028	104.763	LAWTON EASTSIDE - OKLAUNION 345KV CKT 1
FDNS	06ALL	3	15SP	ASGI_14_012	TO->FROM	FPL SWITCH - WOODWARD 138KV CKT 1	133	153	0.04835	102.5806	SPSCONT-05B
FDNS	06ALL	3	15SP	ASGI_14_012	TO->FROM	FPL SWITCH - WOODWARD 138KV CKT 1	133	153	0.04835	101.4405	SPSCONT-04
FDNS	06ALL	3	15SP	ASGI_14_012	TO->FROM	FPL SWITCH - WOODWARD 138KV CKT 1	133	153	0.04585	100.7966	DBL-THIS-WIC

SOLUTION	GROUP	SCENARIO	SEASON	SOURCE	DIRECTION	MONITORED ELEMENT	RATEA (MVA)	RATEB (MVA)	TDF	TC%LOADING (% MVA)	CONTINGENCY
FDNS	06ALL	3	15SP	ASGI_14_012	TO->FROM	FPL SWITCH - WOODWARD 138KV CKT 1	133	153	0.03517	97.7	WOODWARD (WOODWRD2) 138/69/13.2KV TRANSFORMER CKT 1
FDNS	06ALL	3	20WP	ASGI_14_012	TO->FROM	FPL SWITCH - WOODWARD 138KV CKT 1	171	185	0.05097	96.7	NORTHWEST - TATONGA7 345.00 345KV CKT 1
FDNS	06ALL	3	20WP	ASGI_14_012	TO->FROM	FPL SWITCH - WOODWARD 138KV CKT 1	171	185	0.06049	96	DBL-THIS-WWR
FDNS	06ALL	3	15G	ASGI_14_012	TO->FROM	GRAPEVINE INTERCHANGE - NICHOLS STATION 230KV CKT 1	319	351	0.10103	104.2251	LAWTON EASTSIDE - OKLAUNION 345KV CKT 1
FDNS	06ALL	3	20WP	ASGI_14_012	TO->FROM	GRAPEVINE INTERCHANGE - NICHOLS STATION 230KV CKT 1	329	361	0.12856	102.6177	LAWTON EASTSIDE - OKLAUNION 345KV CKT 1
FDNS	06ALL	3	15SP	ASGI_14_012	TO->FROM	GRAPEVINE INTERCHANGE - NICHOLS STATION 230KV CKT 1	319	351	0.10253	99.55151	LAWTON EASTSIDE - OKLAUNION 345KV CKT 1
FDNS	06ALL	3	15G	ASGI_14_012	FROM->TO	GRAPEVINE INTERCHANGE - STATELINE INTERCHANGE 230KV CKT 1	319	351	0.11246	96.19302	LAWTON EASTSIDE - OKLAUNION 345KV CKT 1
FDNS	06ALL	3	15G	ASGI_14_012	FROM->TO	HARPER - MILAN TAP 138KV CKT 1	138	143	0.03284	116.387	DBL-THIS-WIC
FDNS	06ALL	3	15SP	ASGI_14_012	FROM->TO	HARPER - MILAN TAP 138KV CKT 1	127	136	0.03305	104.4151	DBL-THIS-WIC
FDNS	06ALL	3	15WP	ASGI_14_012	FROM->TO	HARPER - MILAN TAP 138KV CKT 1	143	143	0.03308	102.7046	DBL-THIS-WIC
FDNS	06ALL	3	25SP	ASGI_14_012	TO->FROM	LEA ROAD SUB - OIL_CENTER 3115.00 115KV CKT 1	141	141	0.28192	109.4176	HOBBS - KIOWA 7345.00 345KV CKT 1
FDNS	06ALL	3	25SP	ASGI_14_012	TO->FROM	LEA ROAD SUB - OIL_CENTER 3115.00 115KV CKT 1	141	141	0.26474	109.1698	National Enrichment Plant Sub - TARGA 3115.00 115KV CKT 1
FDNS	06ALL	3	25SP	ASGI_14_012	TO->FROM	LEA ROAD SUB - OIL_CENTER 3115.00 115KV CKT 1	141	141	0.26474	105.2149	National Enrichment Plant Tap - TARGA 3115.00 115KV CKT 1
FDNS	06ALL	3	25SP	ASGI_14_012	TO->FROM	LEA ROAD SUB - OIL_CENTER 3115.00 115KV CKT 1	141	141	0.2765	98.4	KIOWA 7345.00 - RDRUNNER 7345.00 345KV CKT 1
FDNS	06ALL	3	25SP	ASGI_14_012	TO->FROM	LEA ROAD SUB - OIL_CENTER 3115.00 115KV CKT 1	141	141	0.2765	98.1	RDRUNNER 7345.00 (UPDATE LATER) 345/115/13.2KV TRANSFORMER CKT 1
FDNS	06ALL	3	25SP	ASGI_14_012	FROM->TO	LEA ROAD SUB - WARD SUB 115KV CKT 1	120	141	0.28192	98.9	HOBBS - KIOWA 7345.00 345KV CKT 1
FDNS	06ALL	3	25SP	ASGI_14_012	FROM->TO	LEA ROAD SUB - WARD SUB 115KV CKT 1	120	141	0.26474	98	National Enrichment Plant Sub - TARGA 3115.00 115KV CKT 1
FDNS	06ALL	3	25SP	ASGI_14_012	TO->FROM	OCHOA SUB - PNDEROSATP 3115.00 115KV CKT 1	141	141	0.14347	125.6599	HOBBS - KIOWA 7345.00 345KV CKT 1
FDNS	06ALL	3	25SP	ASGI_14_012	TO->FROM	OCHOA SUB - PNDEROSATP 3115.00 115KV CKT 1	141	141	0.13094	109.702	KIOWA 7345.00 - RDRUNNER 7345.00 345KV CKT 1
FDNS	06ALL	3	25SP	ASGI_14_012	TO->FROM	OCHOA SUB - PNDEROSATP 3115.00 115KV CKT 1	141	141	0.13094	109.2762	RDRUNNER 7345.00 (UPDATE LATER) 345/115/13.2KV TRANSFORMER CKT 1
FDNS	06ALL	3	20SP	ASGI_14_012	TO->FROM	OCHOA SUB - PNDEROSATP 3115.00 115KV CKT 1	141	141	0.14347	99.1	HOBBS - KIOWA 7345.00 345KV CKT 1
FDNS	06ALL	3	15WP	ASGI_14_012	TO->FROM	PLANT X STATION - TOLK STATION EAST 230KV CKT 2	557	557	0.25885	99.6	PLANT X STATION - TOLK STATION WEST 230KV CKT 1
FDNS	06ALL	3	20SP	ASGI_14_012	TO->FROM	PLANT X STATION - TOLK STATION EAST 230KV CKT 2	478	502	0.18645	96.2	PLANT X STATION - TOLK STATION WEST 230KV CKT 1
FDNS	06ALL	3	20SP	ASGI_14_012	TO->FROM	PLANT X STATION - TOLK STATION WEST 230KV CKT 1	478	502	0.18829	97	PLANT X STATION - TOLK STATION EAST 230KV CKT 2
FDNS	06ALL	3	15SP	ASGI_14_012	FROM->TO	PLANT X STATION (WH ALM20171) 230/115/13.2KV TRANSFORMER CKT 1	252	252	0.0942	106.8107	NEWHART 230 - PLANT X STATION 230KV CKT 1
FDNS	06ALL	3	15SP	ASGI_14_012	FROM->TO	PLANT X STATION (WH ALM20171) 230/115/13.2KV TRANSFORMER CKT 1	252	252	0.0539	104.6633	LAMB COUNTY INTERCHANGE - TOLK STATION WEST 230KV CKT 1
FDNS	06ALL	3	15SP	ASGI_14_012	FROM->TO	PLANT X STATION (WH ALM20171) 230/115/13.2KV TRANSFORMER CKT 1	252	252	0.0539	104.6607	LAMB COUNTY INTERCHANGE (WH ALM20172) 230/115/13.2KV TRANSFORMER CKT 1
FDNS	06ALL	3	15SP	ASGI_14_012	FROM->TO	PLANT X STATION (WH ALM20171) 230/115/13.2KV TRANSFORMER CKT 1	252	252	0.0539	104.6607	SPP-SWPS-K37
FDNS	06ALL	3	15SP	ASGI_14_012	FROM->TO	PLANT X STATION (WH ALM20171) 230/115/13.2KV TRANSFORMER CKT 1	252	252	0.0942	104.1177	NEWHART 230 - PLANT X STATION 230KV CKT 1
FDNS	06ALL	3	15SP	ASGI_14_012	FROM->TO	PLANT X STATION (WH ALM20171) 230/115/13.2KV TRANSFORMER CKT 1	252	252	0.08085	102.2408	DEAF SMITH COUNTY INTERCHANGE - PLANT X STATION 230KV CKT 1
FDNS	06ALL	3	15SP	ASGI_14_012	FROM->TO	PLANT X STATION (WH ALM20171) 230/115/13.2KV TRANSFORMER CKT 1	252	252	0.0539	102.2229	LAMB COUNTY INTERCHANGE - TOLK STATION WEST 230KV CKT 1
FDNS	06ALL	3	15SP	ASGI_14_012	FROM->TO	PLANT X STATION (WH ALM20171) 230/115/13.2KV TRANSFORMER CKT 1	252	252	0.0539	102.2204	LAMB COUNTY INTERCHANGE (WH ALM20172) 230/115/13.2KV TRANSFORMER CKT 1
FDNS	06ALL	3	15SP	ASGI_14_012	FROM->TO	PLANT X STATION (WH ALM20171) 230/115/13.2KV TRANSFORMER CKT 1	252	252	0.0539	102.2204	SPP-SWPS-K37
FDNS	06ALL	3	15SP	ASGI_14_012	FROM->TO	PLANT X STATION (WH ALM20171) 230/115/13.2KV TRANSFORMER CKT 1	252	252	0.08085	99.5	DEAF SMITH COUNTY INTERCHANGE - PLANT X STATION 230KV CKT 1
FDNS	06ALL	3	15SP	ASGI_14_012	FROM->TO	PLANT X STATION (WH ALM20171) 230/115/13.2KV TRANSFORMER CKT 1	252	252	0.05308	95.4	GEN525493 1-PLANT X GEN #3
FDNS	06ALL	3	25SP	ASGI_14_012	TO->FROM	PNDEROSATP 3115.00 - WHITTEN SUB 115KV CKT 1	141	141	0.14347	145.4375	HOBBS - KIOWA 7345.00 345KV CKT 1
FDNS	06ALL	3	25SP	ASGI_14_012	TO->FROM	PNDEROSATP 3115.00 - WHITTEN SUB 115KV CKT 1	141	141	0.13094	129.779	KIOWA 7345.00 - RDRUNNER 7345.00 345KV CKT 1
FDNS	06ALL	3	25SP	ASGI_14_012	TO->FROM	PNDEROSATP 3115.00 - WHITTEN SUB 115KV CKT 1	141	141	0.13094	129.3605	RDRUNNER 7345.00 (UPDATE LATER) 345/115/13.2KV TRANSFORMER CKT 1
FDNS	06ALL	3	20SP	ASGI_14_012	TO->FROM	PNDEROSATP 3115.00 - WHITTEN SUB 115KV CKT 1	141	141	0.14347	114.23	HOBBS - KIOWA 7345.00 345KV CKT 1
FDNS	06ALL	3	20SP	ASGI_14_012	TO->FROM	PNDEROSATP 3115.00 - WHITTEN SUB 115KV CKT 1	141	141	0.13094	108.1313	KIOWA 7345.00 - RDRUNNER 7345.00 345KV CKT 1
FDNS	06ALL	3	20SP	ASGI_14_012	TO->FROM	PNDEROSATP 3115.00 - WHITTEN SUB 115KV CKT 1	141	141	0.13094	107.8038	RDRUNNER 7345.00 (UPDATE LATER) 345/115/13.2KV TRANSFORMER CKT 1
FDNS	06ALL	3	25SP	ASGI_14_012	FROM->TO	WARD SUB - WHITTEN SUB 115KV CKT 1	141	141	0.28192	97	HOBBS - KIOWA 7345.00 345KV CKT 1
FDNS	06ALL	3	25SP	ASGI_14_012	FROM->TO	WARD SUB - WHITTEN SUB 115KV CKT 1	141	141	0.26474	96.1	National Enrichment Plant Sub - TARGA 3115.00 115KV CKT 1
FDNS	06ALL	4	15G	ASGI_14_012	FROM->TO	CLEARWATER - GILL ENERGY CENTER WEST 138KV CKT 1	143	143	0.03284	100.3353	DBL-THIS-WIC
FDNS	06ALL	4	15G	ASGI_14_012	TO->FROM	CLEARWATER - MILAN TAP 138KV CKT 1	110	110	0.03284	139.9081	DBL-THIS-WIC
FDNS	06ALL	4	20WP	ASGI_14_012	TO->FROM	CLEARWATER - MILAN TAP 138KV CKT 1	110	110	0.03271	108.5249	DBL-THIS-WIC
FDNS	06ALL	4	15WP	ASGI_14_012	TO->FROM	CLEARWATER - MILAN TAP 138KV CKT 1	110	110	0.03308	106.1126	DBL-THIS-WIC
FDNS	06ALL	4	15SP	ASGI_14_012	TO->FROM	CLEARWATER - MILAN TAP 138KV CKT 1	110	110	0.03305	99.9	DBL-THIS-WIC
FDNS	06ALL	4	25SP	ASGI_14_012	FROM->TO	COOPER RANCH SUB - OIL_CENTER 3115.00 115KV CKT 1	141	141	0.28192	110.2492	HOBBS - KIOWA 7345.00 345KV CKT 1
FDNS	06ALL	4	25SP	ASGI_14_012	FROM->TO	COOPER RANCH SUB - OIL_CENTER 3115.00 115KV CKT 1	141	141	0.26474	110.0304	National Enrichment Plant Sub - TARGA 3115.00 115KV CKT 1
FDNS	06ALL	4	25SP	ASGI_14_012	FROM->TO	COOPER RANCH SUB - OIL_CENTER 3115.00 115KV CKT 1	141	141	0.26474	106.062	National Enrichment Plant Tap - TARGA 3115.00 115KV CKT 1
FDNS	06ALL	4	25SP	ASGI_14_012	FROM->TO	COOPER RANCH SUB - OIL_CENTER 3115.00 115KV CKT 1	141	141	0.2765	99.2	KIOWA 7345.00 - RDRUNNER 7345.00 345KV CKT 1
FDNS	06ALL	4	25SP	ASGI_14_012	FROM->TO	COOPER RANCH SUB - OIL_CENTER 3115.00 115KV CKT 1	141	141	0.2765	99	RDRUNNER 7345.00 (UPDATE LATER) 345/115/13.2KV TRANSFORMER CKT 1
FDNS	06ALL	4	25SP	ASGI_14_012	FROM->TO	COOPER RANCH SUB - OIL_CENTER 3115.00 115KV CKT 1	141	141	0.24005	95.1	National Enrichment Plant Tap - TEAGUE SUB 115KV CKT 1
FDNS	06ALL	4	15SP	ASGI_14_012	FROM->TO	CUNNINGHAM STATION - MADDOX STATION 115KV CKT 1	160	160	0.07263	98	HOBBS INTERCHANGE - MADDOX STATION 115KV CKT 1
FDNS	06ALL	4	15SP	ASGI_14_012	FROM->TO	CURRY COUNTY INTERCHANGE - DEAF SMITH REC-#20 115KV CKT 1	96	96	0.05932	120.7303	DEAF SMITH COUNTY INTERCHANGE - PLANT X STATION 230KV CKT 1
FDNS	06ALL	4	20SP	ASGI_14_012	FROM->TO	CURRY COUNTY INTERCHANGE - DEAF SMITH REC-#20 115KV CKT 1	96	96	0.04453	104.6276	DEAF SMITH COUNTY INTERCHANGE - PLANT X STATION 230KV CKT 1
FDNS	06ALL	4	15SP	ASGI_14_012	FROM->TO	CURRY COUNTY INTERCHANGE - DEAF SMITH REC-#20 115KV CKT 1	96	96	0.04343	103.3913	LAWTON EASTSIDE - OKLAUNION 345KV CKT 1
FDNS	06ALL	4	15SP	ASGI_14_012	TO->FROM	DEAF SMITH COUNTY INTERCHANGE - PLANT X STATION 230KV CKT 1	319	351	0.18433	109.4404	LAWTON EASTSIDE - OKLAUNION 345KV CKT 1
FDNS	06ALL	4	15SP	ASGI_14_012	TO->FROM	DEAF SMITH COUNTY INTERCHANGE - PLANT X STATION 230KV CKT 1	319	351	0.19749	96.9	NEWHART 230 - PLANT X STATION 230KV CKT 1
FDNS	06ALL	4	15SP	ASGI_14_012	TO->FROM	DEAF SMITH COUNTY INTERCHANGE - PLANT X STATION 230KV CKT 1	319	351	0.18548	96.2	SPP-SWPS-01
FDNS	06ALL	4	15SP	ASGI_14_012	TO->FROM	DEAF SMITH COUNTY INTERCHANGE - PLANT X STATION 230KV CKT 1	319	351	0.18433	96	SPSCONT-01
FDNS	06ALL	4	15SP	ASGI_14_012	TO->FROM	DEAF SMITH COUNTY INTERCHANGE - PLANT X STATION 230KV CKT 1	319	351	0.18433	95.8	OKLAUNION - TUCO INTERCHANGE 345KV CKT 1
FDNS	06ALL	4	15SP	ASGI_14_012	FROM->TO	DEAF SMITH REC-#20 - PARMER COUNTY SUB 115KV CKT 1	96	96	0.05932	107.5483	DEAF SMITH COUNTY INTERCHANGE - PLANT X STATION 230KV CKT 1
FDNS	06ALL	4	15SP	ASGI_14_012	TO->FROM	DEAF SMITH REC-#24 - PARMER COUNTY SUB 115KV CKT 1	96	96	0.05932	99.8	DEAF SMITH COUNTY INTERCHANGE - PLANT X STATION 230KV CKT 1
FDNS	06ALL	4	15G	ASGI_14_012	FROM->TO	ELK CITY 230KV (ELKCTY-6) 230/138/13.8KV TRANSFORMER CKT 1	287	316	0.11246	106.8002	LAWTON EASTSIDE - OKLAUNION 345KV CKT 1
FDNS	06ALL	4	15G	ASGI_14_012	FROM->TO	ELK CITY 230KV (ELKCTY-6) 230/138/13.8KV TRANSFORMER CKT 1	287	316	0.11246	104.9708	LAWTON EASTSIDE - OKLAUNION 345KV CKT 1
FDNS	06ALL	4	15SP	ASGI_14_012	FROM->TO	ELK CITY 230KV (ELKCTY-6) 230/138/13.8KV TRANSFORMER CKT 1	272	316	0.12044	100.0245	LAWTON EASTSIDE - OKLAUNION 345KV CKT 1
FDNS	06ALL	4	15WP	ASGI_14_012	FROM->TO	ELK CITY 230KV (ELKCTY-6) 230/138/13.8KV TRANSFORMER CKT 1	287	316	0.12395	99.80477	LAWTON EASTSIDE - OKLAUNION 345KV CKT 1
FDNS	06ALL	4	15SP	ASGI_14_012	FROM->TO	ELK CITY 230KV (ELKCTY-6) 230/138/13.8KV TRANSFORMER CKT 1	272	316	0.12044	98.59045	LAWTON EASTSIDE - OKLAUNION 345KV CKT 1
FDNS	06ALL	4	15WP	ASGI_14_012	FROM->TO	ELK CITY 230KV (ELKCTY-6) 230/138/13.8KV TRANSFORMER CKT 1	287	316	0.12395	98.40416	LAWTON EASTSIDE - OKLAUNION 345KV CKT 1
FDNS	06ALL	4	15G	ASGI_14_012	FROM->TO	ELK CITY 230KV (ELKCTY-6) 230/138/13.8KV TRANSFORMER CKT 1	287	316	0.11246	97.5	SPSCONT-01

SOLUTION	GROUP	SCENARIO	SEASON	SOURCE	DIRECTION	MONITORED ELEMENT	RATEA (MVA)	RATEB (MVA)	TDF	TC%LOADING (% MVA)	CONTINGENCY
FDNS	06ALL	4	15G	ASGI_14_012	FROM->TO	ELK CITY 230KV (ELKCTY-6) 230/138/13.8KV TRANSFORMER CKT 1	287	316	0.11307	96.7	SPP-SWPS-01
FDNS-CHECK-TC-Iteration Limit Exceeded.	06ALL	4	15G	ASGI_14_012	FROM->TO	ELK CITY 230KV (ELKCTY-6) 230/138/13.8KV TRANSFORMER CKT 1	287	316	0.09693	96.7	DBL-G1114-WW
FDNS	06ALL	4	15G	ASGI_14_012	FROM->TO	ELK CITY 230KV (ELKCTY-6) 230/138/13.8KV TRANSFORMER CKT 1	287	316	0.11246	96.5	SPSCONT-01
FDNS	06ALL	4	15G	ASGI_14_012	FROM->TO	ELK CITY 230KV (ELKCTY-6) 230/138/13.8KV TRANSFORMER CKT 1	287	316	0.11246	96.4	OKLAUNION - TUCO INTERCHANGE 345KV CKT 1
FDNS	06ALL	4	15G	ASGI_14_012	FROM->TO	ELK CITY 230KV (ELKCTY-6) 230/138/13.8KV TRANSFORMER CKT 1	287	316	0.09693	95.6	DBL-BVR-G111
FDNS-CHECK-TC-Iteration Limit Exceeded.	06ALL	4	15G	ASGI_14_012	FROM->TO	ELK CITY 230KV (ELKCTY-6) 230/138/13.8KV TRANSFORMER CKT 1	287	316	0.09693	95.6	DBL-G1114-WW
FDNS	06ALL	4	15G	ASGI_14_012	FROM->TO	ELK CITY 230KV (ELKCTY-6) 230/138/13.8KV TRANSFORMER CKT 1	287	316	0.11307	95.5	SPP-SWPS-01
FDNS	06ALL	4	15G	ASGI_14_012	FROM->TO	ELK CITY 230KV (ELKCTY-6) 230/138/13.8KV TRANSFORMER CKT 1	287	316	0.11246	95.3	OKLAUNION - TUCO INTERCHANGE 345KV CKT 1
FDNS	06ALL	4	15SP	ASGI_14_012	TO->FROM	FLATRDG3 - THISTLE4 138.00 138KV CKT 1	286	286	0.04771	98.1	DBL-THIS-WIC
FDNS	06ALL	4	15G	ASGI_14_012	TO->FROM	FPL SWITCH - WOODWARD 138KV CKT 1	133	153	0.04542	161.139	NORTHWEST - TATONGA7 345.00 345KV CKT 1
FDNS	06ALL	4	15G	ASGI_14_012	TO->FROM	FPL SWITCH - WOODWARD 138KV CKT 1	133	153	0.05359	159.4606	DBL-THIS-WWR
FDNS	06ALL	4	15G	ASGI_14_012	TO->FROM	FPL SWITCH - WOODWARD 138KV CKT 1	133	153	0.04542	157.7752	SPSCONT-05B
FDNS	06ALL	4	15G	ASGI_14_012	TO->FROM	FPL SWITCH - WOODWARD 138KV CKT 1	133	153	0.04542	157.1729	SPSCONT-04
FDNS	06ALL	4	15G	ASGI_14_012	TO->FROM	FPL SWITCH - WOODWARD 138KV CKT 1	133	153	0.04293	154.0712	DBL-THIS-WIC
FDNS	06ALL	4	15G	ASGI_14_012	TO->FROM	FPL SWITCH - WOODWARD 138KV CKT 1	133	153	0.04731	152.6468	LAWTON EASTSIDE - OKLAUNION 345KV CKT 1
FDNS	06ALL	4	15G	ASGI_14_012	TO->FROM	FPL SWITCH - WOODWARD 138KV CKT 1	133	153	0.04542	147.5252	G11_051T 345.00 - TATONGA7 345.00 345KV CKT 1
FDNS	06ALL	4	15G	ASGI_14_012	TO->FROM	FPL SWITCH - WOODWARD 138KV CKT 1	133	153	0.04542	146.2378	G11_051T 345.00 - WOODWARD DISTRICT EHV 345KV CKT 1
FDNS	06ALL	4	15G	ASGI_14_012	TO->FROM	FPL SWITCH - WOODWARD 138KV CKT 1	133	153	0.03187	143.417	WOODWARD (WOODWRD2) 138/69/13.2KV TRANSFORMER CKT 1
FDNS	06ALL	4	15G	ASGI_14_012	TO->FROM	FPL SWITCH - WOODWARD 138KV CKT 1	133	153	0.04542	143.0315	SPSCONT-05AX
FDNS	06ALL	4	15G	ASGI_14_012	TO->FROM	FPL SWITCH - WOODWARD 138KV CKT 1	133	153	0.04139	142.1867	ELK CITY 230KV - SWEETWATER 230KV CKT 1
FDNS	06ALL	4	15G	ASGI_14_012	TO->FROM	FPL SWITCH - WOODWARD 138KV CKT 1	133	153	0.04139	142.1522	ELK CITY 230KV (ELKCTY-6) 230/138/13.8KV TRANSFORMER CKT 1
FDNS	06ALL	4	15G	ASGI_14_012	TO->FROM	FPL SWITCH - WOODWARD 138KV CKT 1	133	153	0.04731	141.5408	SPSCONT-01
FDNS	06ALL	4	15G	ASGI_14_012	TO->FROM	FPL SWITCH - WOODWARD 138KV CKT 1	133	153	0.0416	139.7718	SPP-SWPS-03
FDNS	06ALL	4	15G	ASGI_14_012	TO->FROM	FPL SWITCH - WOODWARD 138KV CKT 1	133	153	0.04731	139.4068	OKLAUNION - TUCO INTERCHANGE 345KV CKT 1
FDNS	06ALL	4	15G	ASGI_14_012	TO->FROM	FPL SWITCH - WOODWARD 138KV CKT 1	133	153	0.0471	139.2189	SPP-SWPS-01
FDNS	06ALL	4	15G	ASGI_14_012	TO->FROM	FPL SWITCH - WOODWARD 138KV CKT 1	133	153	0.04139	138.5807	SPP-SWPS-02A
FDNS	06ALL	4	15G	ASGI_14_012	TO->FROM	FPL SWITCH - WOODWARD 138KV CKT 1	133	153	0.04139	138.419	GRAPEVINE INTERCHANGE - STATELINE INTERCHANGE 230KV CKT 1
FDNS	06ALL	4	15G	ASGI_14_012	TO->FROM	FPL SWITCH - WOODWARD 138KV CKT 1	133	153	0.03386	137.3554	IODINE - WOODWARD EHV 138KV CKT 1
FDNS	06ALL	4	15G	ASGI_14_012	TO->FROM	FPL SWITCH - WOODWARD 138KV CKT 1	133	153	0.03386	135.3142	DEWEY - IODINE 138KV CKT 1
FDNS	06ALL	4	15G	ASGI_14_012	TO->FROM	FPL SWITCH - WOODWARD 138KV CKT 1	133	153	0.04139	132.9488	STATELINE INTERCHANGE - STLN-DEMARC6 230KV CKT 1
FDNS	06ALL	4	15G	ASGI_14_012	TO->FROM	FPL SWITCH - WOODWARD 138KV CKT 1	133	153	0.04139	132.9455	SPP-SWPS-02
FDNS	06ALL	4	15G	ASGI_14_012	TO->FROM	FPL SWITCH - WOODWARD 138KV CKT 1	133	153	0.04139	132.9341	STLN-DEMARC6 - SWEETWATER 230KV CKT 1
FDNS	06ALL	4	15G	ASGI_14_012	TO->FROM	FPL SWITCH - WOODWARD 138KV CKT 1	133	153	0.03428	130.4008	GRAPEVINE INTERCHANGE - NICHOLS STATION 230KV CKT 1
FDNS	06ALL	4	15G	ASGI_14_012	TO->FROM	FPL SWITCH - WOODWARD 138KV CKT 1	133	153	0.03187	130.0269	WOODWARD - WOODWARD 69KV CKT 1
FDNS	06ALL	4	15G	ASGI_14_012	TO->FROM	FPL SWITCH - WOODWARD 138KV CKT 1	133	153	0.03464	126.1489	THISTLE7 345.00 - WOODWARD DISTRICT EHV 345KV CKT 1
FDNS	06ALL	4	15G	ASGI_14_012	TO->FROM	FPL SWITCH - WOODWARD 138KV CKT 1	133	153	0.03464	126.1489	THISTLE7 345.00 - WOODWARD DISTRICT EHV 345KV CKT 2
FDNS	06ALL	4	15G	ASGI_14_012	TO->FROM	FPL SWITCH - WOODWARD 138KV CKT 1	133	153	0.03407	124.4764	FINNEY SWITCHING STATION - HOLCOMB 345KV CKT 1
FDNS	06ALL	4	15G	ASGI_14_012	TO->FROM	FPL SWITCH - WOODWARD 138KV CKT 1	133	153	0.0317	124.1911	THISTLE7 345.00 - WICHITA 345KV CKT 1
FDNS	06ALL	4	15G	ASGI_14_012	TO->FROM	FPL SWITCH - WOODWARD 138KV CKT 1	133	153	0.0317	124.1911	THISTLE7 345.00 - WICHITA 345KV CKT 2
FDNS	06ALL	4	15G	ASGI_14_012	TO->FROM	FPL SWITCH - WOODWARD 138KV CKT 1	133	153	0.03407	123.2349	SPP-SWPS-05
FDNS	06ALL	4	15G	ASGI_14_012	TO->FROM	FPL SWITCH - WOODWARD 138KV CKT 1	133	153	0.03407	123.1767	FINNEY SWITCHING STATION - Hitchland Interchange 345KV CKT 1
FDNS	06ALL	4	15G	ASGI_14_012	TO->FROM	FPL SWITCH - WOODWARD 138KV CKT 1	133	153	0.03149	120.7359	ELLIS 4 138.00 - RED HILLS WIND 138KV CKT 1
FDNS	06ALL	4	15G	ASGI_14_012	TO->FROM	FPL SWITCH - WOODWARD 138KV CKT 1	133	153	0.03149	118.208	ELLIS 4 138.00 - MOREWOOD SW 138KV CKT 1
FDNS	06ALL	4	15SP	ASGI_14_012	TO->FROM	FPL SWITCH - WOODWARD 138KV CKT 1	133	153	0.05682	111.727	DBL-THIS-WWR
FDNS	06ALL	4	15G	ASGI_14_012	TO->FROM	FPL SWITCH - WOODWARD 138KV CKT 1	133	153	0.03149	106.2134	ELK CITY - RED HILLS WIND 138KV CKT 1
FDNS	06ALL	4	15SP	ASGI_14_012	TO->FROM	FPL SWITCH - WOODWARD 138KV CKT 1	133	153	0.04835	105.3474	NORTHWEST - TATONGA7 345.00 345KV CKT 1
FDNS	06ALL	4	15SP	ASGI_14_012	TO->FROM	FPL SWITCH - WOODWARD 138KV CKT 1	133	153	0.05028	104.7642	LAWTON EASTSIDE - OKLAUNION 345KV CKT 1
FDNS	06ALL	4	15SP	ASGI_14_012	TO->FROM	FPL SWITCH - WOODWARD 138KV CKT 1	133	153	0.04835	102.5806	SPSCONT-05B
FDNS	06ALL	4	15SP	ASGI_14_012	TO->FROM	FPL SWITCH - WOODWARD 138KV CKT 1	133	153	0.04835	101.4405	SPSCONT-04
FDNS	06ALL	4	15SP	ASGI_14_012	TO->FROM	FPL SWITCH - WOODWARD 138KV CKT 1	133	153	0.04585	100.7966	DBL-THIS-WIC
FDNS	06ALL	4	15SP	ASGI_14_012	TO->FROM	FPL SWITCH - WOODWARD 138KV CKT 1	133	153	0.03517	97.7	WOODWARD (WOODWRD2) 138/69/13.2KV TRANSFORMER CKT 1
FDNS	06ALL	4	20WP	ASGI_14_012	TO->FROM	FPL SWITCH - WOODWARD 138KV CKT 1	171	185	0.05097	96.7	NORTHWEST - TATONGA7 345.00 345KV CKT 1
FDNS	06ALL	4	20WP	ASGI_14_012	TO->FROM	FPL SWITCH - WOODWARD 138KV CKT 1	171	185	0.06049	96	DBL-THIS-WWR
FDNS	06ALL	4	15G	ASGI_14_012	TO->FROM	GRAPEVINE INTERCHANGE - NICHOLS STATION 230KV CKT 1	319	351	0.10103	104.2251	LAWTON EASTSIDE - OKLAUNION 345KV CKT 1
FDNS	06ALL	4	20WP	ASGI_14_012	TO->FROM	GRAPEVINE INTERCHANGE - NICHOLS STATION 230KV CKT 1	329	361	0.12856	102.6177	LAWTON EASTSIDE - OKLAUNION 345KV CKT 1
FDNS	06ALL	4	15SP	ASGI_14_012	TO->FROM	GRAPEVINE INTERCHANGE - NICHOLS STATION 230KV CKT 1	319	351	0.10253	99.55219	LAWTON EASTSIDE - OKLAUNION 345KV CKT 1
FDNS	06ALL	4	15G	ASGI_14_012	FROM->TO	GRAPEVINE INTERCHANGE - STATELINE INTERCHANGE 230KV CKT 1	319	351	0.11246	96.19302	LAWTON EASTSIDE - OKLAUNION 345KV CKT 1
FDNS	06ALL	4	15G	ASGI_14_012	FROM->TO	HARPER - MILAN TAP 138KV CKT 1	138	143	0.03284	116.387	DBL-THIS-WIC
FDNS	06ALL	4	15SP	ASGI_14_012	FROM->TO	HARPER - MILAN TAP 138KV CKT 1	127	136	0.03305	104.4151	DBL-THIS-WIC
FDNS	06ALL	4	15WP	ASGI_14_012	FROM->TO	HARPER - MILAN TAP 138KV CKT 1	143	143	0.03308	102.7046	DBL-THIS-WIC
FDNS	06ALL	4	25SP	ASGI_14_012	TO->FROM	LEA ROAD SUB - OIL_CENTER 3115.00 115KV CKT 1	141	141	0.28192	109.4176	HOBBS - KIOWA 7345.00 345KV CKT 1
FDNS	06ALL	4	25SP	ASGI_14_012	TO->FROM	LEA ROAD SUB - OIL_CENTER 3115.00 115KV CKT 1	141	141	0.26474	109.1698	National Enrichment Plant Sub - TARGA 3115.00 115KV CKT 1

SOLUTION	GROUP	SCENARIO	SEASON	SOURCE	DIRECTION	MONITORED ELEMENT	RATEA (MVA)	RATEB (MVA)	TDF	TC%LOADING (% MVA)	CONTINGENCY
FDNS	06ALL	4	25SP	ASGI_14_012	TO->FROM	LEA ROAD SUB - OIL_CENTER 3115.00 115KV CKT 1	141	141	0.26474	105.2149	National Enrichment Plant Tap - TARGA 3115.00 115KV CKT 1
FDNS	06ALL	4	25SP	ASGI_14_012	TO->FROM	LEA ROAD SUB - OIL_CENTER 3115.00 115KV CKT 1	141	141	0.2765	98.4	KIOWA 7345.00 - RDRUNNER 7345.00 345KV CKT 1
FDNS	06ALL	4	25SP	ASGI_14_012	TO->FROM	LEA ROAD SUB - OIL_CENTER 3115.00 115KV CKT 1	141	141	0.2765	98.1	RDRUNNER 7345.00 (UPDATE LATER) 345/115/13.2KV TRANSFORMER CKT 1
FDNS	06ALL	4	25SP	ASGI_14_012	FROM->TO	LEA ROAD SUB - WARD SUB 115KV CKT 1	120	141	0.28192	98.9	HOBBS - KIOWA 7345.00 345KV CKT 1
FDNS	06ALL	4	25SP	ASGI_14_012	FROM->TO	LEA ROAD SUB - WARD SUB 115KV CKT 1	120	141	0.26474	98	National Enrichment Plant Sub - TARGA 3115.00 115KV CKT 1
FDNS	06ALL	4	25SP	ASGI_14_012	TO->FROM	OCHOA SUB - PNDEROSATP 3115.00 115KV CKT 1	141	141	0.14347	125.6599	HOBBS - KIOWA 7345.00 345KV CKT 1
FDNS	06ALL	4	25SP	ASGI_14_012	TO->FROM	OCHOA SUB - PNDEROSATP 3115.00 115KV CKT 1	141	141	0.13094	109.702	KIOWA 7345.00 - RDRUNNER 7345.00 345KV CKT 1
FDNS	06ALL	4	25SP	ASGI_14_012	TO->FROM	OCHOA SUB - PNDEROSATP 3115.00 115KV CKT 1	141	141	0.13094	109.2762	RDRUNNER 7345.00 (UPDATE LATER) 345/115/13.2KV TRANSFORMER CKT 1
FDNS	06ALL	4	20SP	ASGI_14_012	TO->FROM	OCHOA SUB - PNDEROSATP 3115.00 115KV CKT 1	141	141	0.14347	99.1	HOBBS - KIOWA 7345.00 345KV CKT 1
FDNS	06ALL	4	15SP	ASGI_14_012	FROM->TO	PLANT X STATION (WH ALM20171) 230/115/13.2KV TRANSFORMER CKT 1	252	252	0.0942	106.8107	NEWHART 230 - PLANT X STATION 230KV CKT 1
FDNS	06ALL	4	15SP	ASGI_14_012	FROM->TO	PLANT X STATION (WH ALM20171) 230/115/13.2KV TRANSFORMER CKT 1	252	252	0.0539	104.6633	LAMB COUNTY INTERCHANGE - TOLK STATION WEST 230KV CKT 1
FDNS	06ALL	4	15SP	ASGI_14_012	FROM->TO	PLANT X STATION (WH ALM20171) 230/115/13.2KV TRANSFORMER CKT 1	252	252	0.0539	104.6607	LAMB COUNTY INTERCHANGE (WH ALM20172) 230/115/13.2KV TRANSFORMER CKT 1
FDNS	06ALL	4	15SP	ASGI_14_012	FROM->TO	PLANT X STATION (WH ALM20171) 230/115/13.2KV TRANSFORMER CKT 1	252	252	0.0539	104.6607	SPP-SWPS-K37
FDNS	06ALL	4	15SP	ASGI_14_012	FROM->TO	PLANT X STATION (WH ALM20171) 230/115/13.2KV TRANSFORMER CKT 1	252	252	0.0942	104.1177	NEWHART 230 - PLANT X STATION 230KV CKT 1
FDNS	06ALL	4	15SP	ASGI_14_012	FROM->TO	PLANT X STATION (WH ALM20171) 230/115/13.2KV TRANSFORMER CKT 1	252	252	0.08085	102.241	DEAF SMITH COUNTY INTERCHANGE - PLANT X STATION 230KV CKT 1
FDNS	06ALL	4	15SP	ASGI_14_012	FROM->TO	PLANT X STATION (WH ALM20171) 230/115/13.2KV TRANSFORMER CKT 1	252	252	0.0539	102.223	LAMB COUNTY INTERCHANGE - TOLK STATION WEST 230KV CKT 1
FDNS	06ALL	4	15SP	ASGI_14_012	FROM->TO	PLANT X STATION (WH ALM20171) 230/115/13.2KV TRANSFORMER CKT 1	252	252	0.0539	102.2204	LAMB COUNTY INTERCHANGE (WH ALM20172) 230/115/13.2KV TRANSFORMER CKT 1
FDNS	06ALL	4	15SP	ASGI_14_012	FROM->TO	PLANT X STATION (WH ALM20171) 230/115/13.2KV TRANSFORMER CKT 1	252	252	0.0539	102.2204	SPP-SWPS-K37
FDNS	06ALL	4	15SP	ASGI_14_012	FROM->TO	PLANT X STATION (WH ALM20171) 230/115/13.2KV TRANSFORMER CKT 1	252	252	0.08085	99.5	DEAF SMITH COUNTY INTERCHANGE - PLANT X STATION 230KV CKT 1
FDNS	06ALL	4	15SP	ASGI_14_012	FROM->TO	PLANT X STATION (WH ALM20171) 230/115/13.2KV TRANSFORMER CKT 1	252	252	0.05308	95.4	GEN525493 1-PLANT X GEN #3
FDNS	06ALL	4	25SP	ASGI_14_012	TO->FROM	PNDEROSATP 3115.00 - WHITTEN SUB 115KV CKT 1	141	141	0.14347	145.4375	HOBBS - KIOWA 7345.00 345KV CKT 1
FDNS	06ALL	4	25SP	ASGI_14_012	TO->FROM	PNDEROSATP 3115.00 - WHITTEN SUB 115KV CKT 1	141	141	0.13094	129.779	KIOWA 7345.00 - RDRUNNER 7345.00 345KV CKT 1
FDNS	06ALL	4	25SP	ASGI_14_012	TO->FROM	PNDEROSATP 3115.00 - WHITTEN SUB 115KV CKT 1	141	141	0.13094	129.3605	RDRUNNER 7345.00 (UPDATE LATER) 345/115/13.2KV TRANSFORMER CKT 1
FDNS	06ALL	4	20SP	ASGI_14_012	TO->FROM	PNDEROSATP 3115.00 - WHITTEN SUB 115KV CKT 1	141	141	0.14347	114.23	HOBBS - KIOWA 7345.00 345KV CKT 1
FDNS	06ALL	4	20SP	ASGI_14_012	TO->FROM	PNDEROSATP 3115.00 - WHITTEN SUB 115KV CKT 1	141	141	0.13094	108.1313	KIOWA 7345.00 - RDRUNNER 7345.00 345KV CKT 1
FDNS	06ALL	4	20SP	ASGI_14_012	TO->FROM	PNDEROSATP 3115.00 - WHITTEN SUB 115KV CKT 1	141	141	0.13094	107.8038	RDRUNNER 7345.00 (UPDATE LATER) 345/115/13.2KV TRANSFORMER CKT 1
FDNS	06ALL	4	25SP	ASGI_14_012	FROM->TO	WARD SUB - WHITTEN SUB 115KV CKT 1	141	141	0.28192	97	HOBBS - KIOWA 7345.00 345KV CKT 1
FDNS	06ALL	4	25SP	ASGI_14_012	FROM->TO	WARD SUB - WHITTEN SUB 115KV CKT 1	141	141	0.26474	96.1	National Enrichment Plant Sub - TARGA 3115.00 115KV CKT 1
FDNS	06ALL	0	15G	G13_027	FROM->TO	CLEARWATER - GILL ENERGY CENTER WEST 138KV CKT 1	143	143	0.03311	100.5453	DBL-THIS-WIC
FDNS	06ALL	0	15G	G13_027	TO->FROM	CLEARWATER - MILAN TAP 138KV CKT 1	110	110	0.03311	140.1877	DBL-THIS-WIC
FDNS	06ALL	0	20WP	G13_027	TO->FROM	CLEARWATER - MILAN TAP 138KV CKT 1	110	110	0.03326	108.6601	DBL-THIS-WIC
FDNS	06ALL	0	15WP	G13_027	TO->FROM	CLEARWATER - MILAN TAP 138KV CKT 1	110	110	0.03335	106.268	DBL-THIS-WIC
FDNS	06ALL	0	15SP	G13_027	TO->FROM	CLEARWATER - MILAN TAP 138KV CKT 1	110	110	0.03334	100.0707	DBL-THIS-WIC
FDNS	06ALL	0	15SP	G13_027	FROM->TO	CURRY COUNTY INTERCHANGE - DEAF SMITH REC-#20 115KV CKT 1	96	96	0.05858	123.5747	DEAF SMITH COUNTY INTERCHANGE - PLANT X STATION 230KV CKT 1
FDNS	06ALL	0	20SP	G13_027	FROM->TO	CURRY COUNTY INTERCHANGE - DEAF SMITH REC-#20 115KV CKT 1	96	96	0.05147	106.7874	DEAF SMITH COUNTY INTERCHANGE - PLANT X STATION 230KV CKT 1
FDNS	06ALL	0	15SP	G13_027	FROM->TO	CURRY COUNTY INTERCHANGE - DEAF SMITH REC-#20 115KV CKT 1	96	96	0.03989	105.8568	LAWTON EASTSIDE - OKLAUNION 345KV CKT 1
FDNS	06ALL	0	15SP	G13_027	FROM->TO	CURRY COUNTY INTERCHANGE - DEAF SMITH REC-#20 115KV CKT 1	96	96	0.04032	97.6	SPP-SWPS-01
FDNS	06ALL	0	15SP	G13_027	FROM->TO	CURRY COUNTY INTERCHANGE - DEAF SMITH REC-#20 115KV CKT 1	96	96	0.03989	97.3	SPSCONT-01
FDNS	06ALL	0	15SP	G13_027	FROM->TO	CURRY COUNTY INTERCHANGE - DEAF SMITH REC-#20 115KV CKT 1	96	96	0.03989	97.2	OKLAUNION - TUCO INTERCHANGE 345KV CKT 1
FDNS	06ALL	0	15SP	G13_027	FROM->TO	CURRY COUNTY INTERCHANGE - DEAF SMITH REC-#20 115KV CKT 1	96	96	0.04222	96.1	NEWHART 230 - PLANT X STATION 230KV CKT 1
FDNS	06ALL	0	25SP	G13_027	FROM->TO	CURRY COUNTY INTERCHANGE - DEAF SMITH REC-#20 115KV CKT 1	96	96	0.05188	95.6	DEAF SMITH COUNTY INTERCHANGE - PLANT X STATION 230KV CKT 1
FDNS	06ALL	0	15SP	G13_027	TO->FROM	DEAF SMITH COUNTY INTERCHANGE - PLANT X STATION 230KV CKT 1	319	351	0.20026	109.7585	LAWTON EASTSIDE - OKLAUNION 345KV CKT 1
FDNS	06ALL	0	15SP	G13_027	TO->FROM	DEAF SMITH COUNTY INTERCHANGE - PLANT X STATION 230KV CKT 1	319	351	0.22175	97.5	NEWHART 230 - PLANT X STATION 230KV CKT 1
FDNS	06ALL	0	15SP	G13_027	TO->FROM	DEAF SMITH COUNTY INTERCHANGE - PLANT X STATION 230KV CKT 1	319	351	0.20278	96.9	SPP-SWPS-01
FDNS	06ALL	0	15SP	G13_027	TO->FROM	DEAF SMITH COUNTY INTERCHANGE - PLANT X STATION 230KV CKT 1	319	351	0.20026	96.3	SPSCONT-01
FDNS	06ALL	0	15SP	G13_027	TO->FROM	DEAF SMITH COUNTY INTERCHANGE - PLANT X STATION 230KV CKT 1	319	351	0.20026	96.1	OKLAUNION - TUCO INTERCHANGE 345KV CKT 1
FDNS	06ALL	0	15SP	G13_027	FROM->TO	DEAF SMITH REC-#20 - PARMER COUNTY SUB 115KV CKT 1	96	96	0.05858	110.3575	DEAF SMITH COUNTY INTERCHANGE - PLANT X STATION 230KV CKT 1
FDNS	06ALL	0	15SP	G13_027	TO->FROM	DEAF SMITH REC-#24 - PARMER COUNTY SUB 115KV CKT 1	96	96	0.05858	102.2169	DEAF SMITH COUNTY INTERCHANGE - PLANT X STATION 230KV CKT 1
FDNS	06ALL	0	15G	G13_027	FROM->TO	ELK CITY 230KV (ELKCTY-6) 230/138/13.8KV TRANSFORMER CKT 1	287	316	0.11419	107.0627	LAWTON EASTSIDE - OKLAUNION 345KV CKT 1
FDNS	06ALL	0	15G	G13_027	FROM->TO	ELK CITY 230KV (ELKCTY-6) 230/138/13.8KV TRANSFORMER CKT 1	287	316	0.11419	105.2129	LAWTON EASTSIDE - OKLAUNION 345KV CKT 1
FDNS	06ALL	0	15SP	G13_027	FROM->TO	ELK CITY 230KV (ELKCTY-6) 230/138/13.8KV TRANSFORMER CKT 1	272	316	0.12233	100.158	LAWTON EASTSIDE - OKLAUNION 345KV CKT 1
FDNS	06ALL	0	15WP	G13_027	FROM->TO	ELK CITY 230KV (ELKCTY-6) 230/138/13.8KV TRANSFORMER CKT 1	287	316	0.12578	100.0101	LAWTON EASTSIDE - OKLAUNION 345KV CKT 1
FDNS	06ALL	0	15SP	G13_027	FROM->TO	ELK CITY 230KV (ELKCTY-6) 230/138/13.8KV TRANSFORMER CKT 1	272	316	0.12233	98.72061	LAWTON EASTSIDE - OKLAUNION 345KV CKT 1
FDNS	06ALL	0	15WP	G13_027	FROM->TO	ELK CITY 230KV (ELKCTY-6) 230/138/13.8KV TRANSFORMER CKT 1	287	316	0.12578	98.59541	LAWTON EASTSIDE - OKLAUNION 345KV CKT 1
FDNS	06ALL	0	15G	G13_027	FROM->TO	ELK CITY 230KV (ELKCTY-6) 230/138/13.8KV TRANSFORMER CKT 1	287	316	0.10214	98.1	DBL-G1114-WW
FDNS	06ALL	0	15G	G13_027	FROM->TO	ELK CITY 230KV (ELKCTY-6) 230/138/13.8KV TRANSFORMER CKT 1	287	316	0.11419	97.8	SPSCONT-01
FDNS	06ALL	0	15G	G13_027	FROM->TO	ELK CITY 230KV (ELKCTY-6) 230/138/13.8KV TRANSFORMER CKT 1	287	316	0.1159	97.7	SPP-SWPS-01
FDNS	06ALL	0	15G	G13_027	FROM->TO	ELK CITY 230KV (ELKCTY-6) 230/138/13.8KV TRANSFORMER CKT 1	287	316	0.10214	96.9	DBL-BVR-G111
FDNS	06ALL	0	15G	G13_027	FROM->TO	ELK CITY 230KV (ELKCTY-6) 230/138/13.8KV TRANSFORMER CKT 1	287	316	0.10214	96.8	DBL-G1114-WW
FDNS	06ALL	0	15G	G13_027	FROM->TO	ELK CITY 230KV (ELKCTY-6) 230/138/13.8KV TRANSFORMER CKT 1	287	316	0.11419	96.7	SPSCONT-01
FDNS	06ALL	0	15G	G13_027	FROM->TO	ELK CITY 230KV (ELKCTY-6) 230/138/13.8KV TRANSFORMER CKT 1	287	316	0.1159	96.6	SPP-SWPS-01
FDNS	06ALL	0	15G	G13_027	FROM->TO	ELK CITY 230KV (ELKCTY-6) 230/138/13.8KV TRANSFORMER CKT 1	287	316	0.11419	96.5	OKLAUNION - TUCO INTERCHANGE 345KV CKT 1
FDNS	06ALL	0	15G	G13_027	FROM->TO	ELK CITY 230KV (ELKCTY-6) 230/138/13.8KV TRANSFORMER CKT 1	287	316	0.10214	95.7	DBL-BVR-G111
FDNS	06ALL	0	15G	G13_027	FROM->TO	ELK CITY 230KV (ELKCTY-6) 230/138/13.8KV TRANSFORMER CKT 1	287	316	0.11419	95.3	OKLAUNION - TUCO INTERCHANGE 345KV CKT 1
FDNS	06ALL	0	15SP	G13_027	TO->FROM	FLATRDG3 - THISTLE4 138.00 138KV CKT 1	286	286	0.04797	98.2	DBL-THIS-WIC
FDNS	06ALL	0	15G	G13_027	TO->FROM	FPL SWITCH - WOODWARD 138KV CKT 1	133	153	0.04555	161.177	NORTHWEST - TATONGA7 345.00 345KV CKT 1
FDNS	06ALL	0	15G	G13_027	TO->FROM	FPL SWITCH - WOODWARD 138KV CKT 1	133	153	0.05349	159.4244	DBL-THIS-WWR
FDNS	06ALL	0	15G	G13_027	TO->FROM	FPL SWITCH - WOODWARD 138KV CKT 1	133	153	0.04555	157.7992	SPSCONT-05B
FDNS	06ALL	0	15G	G13_027	TO->FROM	FPL SWITCH - WOODWARD 138KV CKT 1	133	153	0.04555	157.271	SPSCONT-04
FDNS	06ALL	0	15G	G13_027	TO->FROM	FPL SWITCH - WOODWARD 138KV CKT 1	133	153	0.04298	154.1519	DBL-THIS-WIC
FDNS	06ALL	0	15G	G13_027	TO->FROM	FPL SWITCH - WOODWARD 138KV CKT 1	133	153	0.04661	152.6111	LAWTON EASTSIDE - OKLAUNION 345KV CKT 1
FDNSLock	06ALL	0	15G	G13_027	TO->FROM	FPL SWITCH - WOODWARD 138KV CKT 1	133	153	0.04555	147.3779	G11_051T 345.00 - TATONGA7 345.00 345KV CKT 1

SOLUTION	GROUP	SCENARIO	SEASON	SOURCE	DIRECTION	MONITORED ELEMENT	RATEA (MVA)	RATEB (MVA)	TDF	TC%LOADING (% MVA)	CONTINGENCY
FDNS	06ALL	0	15G	G13_027	TO->FROM	FPL SWITCH - WOODWARD 138KV CKT 1	133	153	0.04555	146.4061	G11_051T 345.00 - WOODWARD DISTRICT EHV 345KV CKT 1
FDNS	06ALL	0	15G	G13_027	TO->FROM	FPL SWITCH - WOODWARD 138KV CKT 1	133	153	0.03181	143.416	WOODWARD (WOODWRD2) 138/69/13.2KV TRANSFORMER CKT 1
FDNS	06ALL	0	15G	G13_027	TO->FROM	FPL SWITCH - WOODWARD 138KV CKT 1	133	153	0.04555	143.1258	SPSCONT-05AX
FDNS	06ALL	0	15G	G13_027	TO->FROM	FPL SWITCH - WOODWARD 138KV CKT 1	133	153	0.04195	142.5155	ELK CITY 230KV - SWEETWATER 230KV CKT 1
FDNS	06ALL	0	15G	G13_027	TO->FROM	FPL SWITCH - WOODWARD 138KV CKT 1	133	153	0.04195	142.4842	ELK CITY 230KV (ELKCTY-6) 230/138/13.8KV TRANSFORMER CKT 1
FDNS	06ALL	0	15G	G13_027	TO->FROM	FPL SWITCH - WOODWARD 138KV CKT 1	133	153	0.04661	141.4059	SPSCONT-01
FDNS	06ALL	0	15G	G13_027	TO->FROM	FPL SWITCH - WOODWARD 138KV CKT 1	133	153	0.04218	140.0428	SPP-SWPS-03
FDNS	06ALL	0	15G	G13_027	TO->FROM	FPL SWITCH - WOODWARD 138KV CKT 1	133	153	0.04661	139.1883	OKLAUNION - TUCO INTERCHANGE 345KV CKT 1
FDNS	06ALL	0	15G	G13_027	TO->FROM	FPL SWITCH - WOODWARD 138KV CKT 1	133	153	0.04195	138.8333	SPP-SWPS-02A
FDNS	06ALL	0	15G	G13_027	TO->FROM	FPL SWITCH - WOODWARD 138KV CKT 1	133	153	0.04195	138.6923	GRAPEVINE INTERCHANGE - STATELINE INTERCHANGE 230KV CKT 1
FDNS	06ALL	0	15G	G13_027	TO->FROM	FPL SWITCH - WOODWARD 138KV CKT 1	133	153	0.04604	138.6877	SPP-SWPS-01
FDNS	06ALL	0	15G	G13_027	TO->FROM	FPL SWITCH - WOODWARD 138KV CKT 1	133	153	0.03384	137.3732	IODINE - WOODWARD EHV 138KV CKT 1
FDNS	06ALL	0	15G	G13_027	TO->FROM	FPL SWITCH - WOODWARD 138KV CKT 1	133	153	0.03384	135.335	DEWEY - IODINE 138KV CKT 1
FDNS	06ALL	0	15G	G13_027	TO->FROM	FPL SWITCH - WOODWARD 138KV CKT 1	133	153	0.04195	133.3058	STATELINE INTERCHANGE - STLN-DEMARC6 230KV CKT 1
FDNS	06ALL	0	15G	G13_027	TO->FROM	FPL SWITCH - WOODWARD 138KV CKT 1	133	153	0.04195	133.0811	SPP-SWPS-02
FDNS	06ALL	0	15G	G13_027	TO->FROM	FPL SWITCH - WOODWARD 138KV CKT 1	133	153	0.04195	133.0154	STLN-DEMARC6 - SWEETWATER 230KV CKT 1
FDNS	06ALL	0	15G	G13_027	TO->FROM	FPL SWITCH - WOODWARD 138KV CKT 1	133	153	0.0345	130.54	GRAPEVINE INTERCHANGE - NICHOLS STATION 230KV CKT 1
FDNS	06ALL	0	15G	G13_027	TO->FROM	FPL SWITCH - WOODWARD 138KV CKT 1	133	153	0.03181	130.0405	WOODWARD - WOODWARD 69KV CKT 1
FDNS	06ALL	0	15G	G13_027	TO->FROM	FPL SWITCH - WOODWARD 138KV CKT 1	133	153	0.03457	126.126	THISTLE7 345.00 - WOODWARD DISTRICT EHV 345KV CKT 1
FDNS	06ALL	0	15G	G13_027	TO->FROM	FPL SWITCH - WOODWARD 138KV CKT 1	133	153	0.03457	126.126	THISTLE7 345.00 - WOODWARD DISTRICT EHV 345KV CKT 2
FDNS	06ALL	0	15G	G13_027	TO->FROM	FPL SWITCH - WOODWARD 138KV CKT 1	133	153	0.03416	124.5649	FINNEY SWITCHING STATION - HOLCOMB 345KV CKT 1
FDNS	06ALL	0	15G	G13_027	TO->FROM	FPL SWITCH - WOODWARD 138KV CKT 1	133	153	0.03167	124.1871	THISTLE7 345.00 - WICHITA 345KV CKT 1
FDNS	06ALL	0	15G	G13_027	TO->FROM	FPL SWITCH - WOODWARD 138KV CKT 1	133	153	0.03167	124.1871	THISTLE7 345.00 - WICHITA 345KV CKT 2
FDNS	06ALL	0	15G	G13_027	TO->FROM	FPL SWITCH - WOODWARD 138KV CKT 1	133	153	0.03416	123.3196	SPP-SWPS-05
FDNS	06ALL	0	15G	G13_027	TO->FROM	FPL SWITCH - WOODWARD 138KV CKT 1	133	153	0.03416	123.2614	FINNEY SWITCHING STATION - Hitchland Interchange 345KV CKT 1
FDNS	06ALL	0	15G	G13_027	TO->FROM	FPL SWITCH - WOODWARD 138KV CKT 1	133	153	0.03157	120.7972	ELLIS 4 138.00 - RED HILLS WIND 138KV CKT 1
FDNS	06ALL	0	15G	G13_027	TO->FROM	FPL SWITCH - WOODWARD 138KV CKT 1	133	153	0.03157	118.2357	ELLIS 4 138.00 - MOREWOOD SW 138KV CKT 1
FDNS	06ALL	0	15SP	G13_027	TO->FROM	FPL SWITCH - WOODWARD 138KV CKT 1	133	153	0.0567	111.3808	DBL-THIS-WWR
FDNSLock	06ALL	0	15G	G13_027	TO->FROM	FPL SWITCH - WOODWARD 138KV CKT 1	133	153	0.03157	105.8896	ELK CITY - RED HILLS WIND 138KV CKT 1
FDNS	06ALL	0	15SP	G13_027	TO->FROM	FPL SWITCH - WOODWARD 138KV CKT 1	133	153	0.04846	105.3952	NORTHWEST - TATONGA7 345.00 345KV CKT 1
FDNS	06ALL	0	15SP	G13_027	TO->FROM	FPL SWITCH - WOODWARD 138KV CKT 1	133	153	0.04958	104.8311	LAWTON EASTSIDE - OKLAUNION 345KV CKT 1
FDNS	06ALL	0	15SP	G13_027	TO->FROM	FPL SWITCH - WOODWARD 138KV CKT 1	133	153	0.04846	102.6277	SPSCONT-05B
FDNS	06ALL	0	15SP	G13_027	TO->FROM	FPL SWITCH - WOODWARD 138KV CKT 1	133	153	0.04846	101.4863	SPSCONT-04
FDNS	06ALL	0	15SP	G13_027	TO->FROM	FPL SWITCH - WOODWARD 138KV CKT 1	133	153	0.04588	100.8287	DBL-THIS-WIC
FDNS	06ALL	0	15SP	G13_027	TO->FROM	FPL SWITCH - WOODWARD 138KV CKT 1	133	153	0.03508	97.7	WOODWARD (WOODWRD2) 138/69/13.2KV TRANSFORMER CKT 1
FDNS	06ALL	0	20WP	G13_027	TO->FROM	FPL SWITCH - WOODWARD 138KV CKT 1	171	185	0.05153	96.8	NORTHWEST - TATONGA7 345.00 345KV CKT 1
FDNS	06ALL	0	20WP	G13_027	TO->FROM	FPL SWITCH - WOODWARD 138KV CKT 1	171	185	0.06065	96	DBL-THIS-WWR
FDNS	06ALL	0	15G	G13_027	TO->FROM	GRAPEVINE INTERCHANGE - NICHOLS STATION 230KV CKT 1	319	351	0.10258	104.4035	LAWTON EASTSIDE - OKLAUNION 345KV CKT 1
FDNS	06ALL	0	20WP	G13_027	TO->FROM	GRAPEVINE INTERCHANGE - NICHOLS STATION 230KV CKT 1	329	361	0.13282	102.8268	LAWTON EASTSIDE - OKLAUNION 345KV CKT 1
FDNS	06ALL	0	15SP	G13_027	TO->FROM	GRAPEVINE INTERCHANGE - NICHOLS STATION 230KV CKT 1	319	351	0.10413	99.65252	LAWTON EASTSIDE - OKLAUNION 345KV CKT 1
FDNS	06ALL	0	15G	G13_027	FROM->TO	GRAPEVINE INTERCHANGE - STATELINE INTERCHANGE 230KV CKT 1	319	351	0.11419	96.46441	LAWTON EASTSIDE - OKLAUNION 345KV CKT 1
FDNS	06ALL	0	15G	G13_027	FROM->TO	HARPER - MILAN TAP 138KV CKT 1	138	143	0.03311	116.5991	DBL-THIS-WIC
FDNS	06ALL	0	15SP	G13_027	FROM->TO	HARPER - MILAN TAP 138KV CKT 1	127	136	0.03334	104.5127	DBL-THIS-WIC
FDNS	06ALL	0	15WP	G13_027	FROM->TO	HARPER - MILAN TAP 138KV CKT 1	143	143	0.03335	102.8215	DBL-THIS-WIC
FDNS	06ALL	0	15WP	G13_027	TO->FROM	PLANT X STATION - TOLK STATION EAST 230KV CKT 2	557	557	0.42943	99.8	PLANT X STATION - TOLK STATION WEST 230KV CKT 1
FDNS	06ALL	0	20SP	G13_027	TO->FROM	PLANT X STATION - TOLK STATION EAST 230KV CKT 2	478	502	0.40213	96.1	PLANT X STATION - TOLK STATION WEST 230KV CKT 1
FDNS	06ALL	0	20SP	G13_027	TO->FROM	PLANT X STATION - TOLK STATION WEST 230KV CKT 1	478	502	0.40688	96.8	PLANT X STATION - TOLK STATION EAST 230KV CKT 2
FDNS	06ALL	0	15SP	G13_027	FROM->TO	PLANT X STATION (WH ALM20171) 230/115/13.2KV TRANSFORMER CKT 1	252	252	0.11944	106.868	NEWHART 230 - PLANT X STATION 230KV CKT 1
FDNS	06ALL	0	15SP	G13_027	FROM->TO	PLANT X STATION (WH ALM20171) 230/115/13.2KV TRANSFORMER CKT 1	252	252	0.08654	104.7391	SPP-SWPS-K37
FDNS	06ALL	0	15SP	G13_027	FROM->TO	PLANT X STATION (WH ALM20171) 230/115/13.2KV TRANSFORMER CKT 1	252	252	0.08654	104.739	LAMB COUNTY INTERCHANGE (WH ALM20172) 230/115/13.2KV TRANSFORMER CKT 1
FDNS	06ALL	0	15SP	G13_027	FROM->TO	PLANT X STATION (WH ALM20171) 230/115/13.2KV TRANSFORMER CKT 1	252	252	0.08654	104.7164	LAMB COUNTY INTERCHANGE - TOLK STATION WEST 230KV CKT 1
FDNS	06ALL	0	15SP	G13_027	FROM->TO	PLANT X STATION (WH ALM20171) 230/115/13.2KV TRANSFORMER CKT 1	252	252	0.11944	104.1846	NEWHART 230 - PLANT X STATION 230KV CKT 1
FDNS	06ALL	0	15SP	G13_027	FROM->TO	PLANT X STATION (WH ALM20171) 230/115/13.2KV TRANSFORMER CKT 1	252	252	0.10339	102.4562	DEAF SMITH COUNTY INTERCHANGE - PLANT X STATION 230KV CKT 1
FDNS	06ALL	0	15SP	G13_027	FROM->TO	PLANT X STATION (WH ALM20171) 230/115/13.2KV TRANSFORMER CKT 1	252	252	0.08654	102.3057	SPP-SWPS-K37
FDNS	06ALL	0	15SP	G13_027	FROM->TO	PLANT X STATION (WH ALM20171) 230/115/13.2KV TRANSFORMER CKT 1	252	252	0.08654	102.3056	LAMB COUNTY INTERCHANGE (WH ALM20172) 230/115/13.2KV TRANSFORMER CKT 1
FDNS	06ALL	0	15SP	G13_027	FROM->TO	PLANT X STATION (WH ALM20171) 230/115/13.2KV TRANSFORMER CKT 1	252	252	0.08654	102.2824	LAMB COUNTY INTERCHANGE - TOLK STATION WEST 230KV CKT 1
FDNS	06ALL	0	15SP	G13_027	FROM->TO	PLANT X STATION (WH ALM20171) 230/115/13.2KV TRANSFORMER CKT 1	252	252	0.10339	99.7	DEAF SMITH COUNTY INTERCHANGE - PLANT X STATION 230KV CKT 1
FDNS	06ALL	0	15SP	G13_027	FROM->TO	PLANT X STATION (WH ALM20171) 230/115/13.2KV TRANSFORMER CKT 1	252	252	0.07239	95.5	GEN525493 1-PLANT X GEN #3
FDNS	06ALL	0	15SP	G13_027	FROM->TO	YOAKUM COUNTY INTERCHANGE (PENN C010585) 230/115/13.2KV TRANSFORMER CKT 2	150	150	0.03002	100.6354	YOAKUM COUNTY INTERCHANGE (GE M100899) 230/115/13.2KV TRANSFORMER CKT 1
FDNS	06ALL	0	15SP	G13_027	FROM->TO	YOAKUM COUNTY INTERCHANGE (PENN C010585) 230/115/13.2KV TRANSFORMER CKT 2	150	150	0.03002	97.1	YOAKUM COUNTY INTERCHANGE (GE M100899) 230/115/13.2KV TRANSFORMER CKT 1
FDNS	06ALL	2	15G	G13_027	FROM->TO	CLEARWATER - GILL ENERGY CENTER WEST 138KV CKT 1	143	143	0.033	100.3876	DBL-THIS-WIC
FDNS	06ALL	2	15G	G13_027	TO->FROM	CLEARWATER - MILAN TAP 138KV CKT 1	110	110	0.033	139.9774	DBL-THIS-WIC
FDNS	06ALL	2	20WP	G13_027	TO->FROM	CLEARWATER - MILAN TAP 138KV CKT 1	110	110	0.03321	108.5614	DBL-THIS-WIC
FDNS	06ALL	2	15WP	G13_027	TO->FROM	CLEARWATER - MILAN TAP 138KV CKT 1	110	110	0.03324	106.1489	DBL-THIS-WIC
FDNS	06ALL	2	15SP	G13_027	TO->FROM	CLEARWATER - MILAN TAP 138KV CKT 1	110	110	0.03323	100	DBL-THIS-WIC
FDNS	06ALL	2	15SP	G13_027	FROM->TO	CURRY COUNTY INTERCHANGE - DEAF SMITH REC-#20 115KV CKT 1	96	96	0.05821	123.1635	DEAF SMITH COUNTY INTERCHANGE - PLANT X STATION 230KV CKT 1
FDNS	06ALL	2	20SP	G13_027	FROM->TO	CURRY COUNTY INTERCHANGE - DEAF SMITH REC-#20 115KV CKT 1	96	96	0.05141	106.7095	DEAF SMITH COUNTY INTERCHANGE - PLANT X STATION 230KV CKT 1
FDNS	06ALL	2	15SP	G13_027	FROM->TO	CURRY COUNTY INTERCHANGE - DEAF SMITH REC-#20 115KV CKT 1	96	96	0.03982	105.7855	LAWTON EASTSIDE - OKLAUNION 345KV CKT 1
FDNS	06ALL	2	15SP	G13_027	FROM->TO	CURRY COUNTY INTERCHANGE - DEAF SMITH REC-#20 115KV CKT 1	96	96	0.04002	97.4	SPP-SWPS-01
FDNS	06ALL	2	15SP	G13_027	FROM->TO	CURRY COUNTY INTERCHANGE - DEAF SMITH REC-#20 115KV CKT 1	96	96	0.03982	97.2	SPSCONT-01
FDNS	06ALL	2	15SP	G13_027	FROM->TO	CURRY COUNTY INTERCHANGE - DEAF SMITH REC-#20 115KV CKT 1	96	96	0.03982	97.1	OKLAUNION - TUCO INTERCHANGE 345KV CKT 1
FDNS	06ALL	2	15SP	G13_027	FROM->TO	CURRY COUNTY INTERCHANGE - DEAF SMITH REC-#20 115KV CKT 1	96	96	0.04207	95.9	NEWHART 230 - PLANT X STATION 230KV CKT 1

SOLUTION	GROUP	SCENARIO	SEASON	SOURCE	DIRECTION	MONITORED ELEMENT	RATEA (MVA)	RATEB (MVA)	TC%LOADING TDF	(% MVA)	CONTINGENCY
FDNS	06ALL	2	25SP	G13_027	FROM->TO	CURRY COUNTY INTERCHANGE - DEAF SMITH REC-#20 115KV CKT 1	96	96	0.05182	95.5	DEAF SMITH COUNTY INTERCHANGE - PLANT X STATION 230KV CKT 1
FDNS	06ALL	2	15SP	G13_027	TO->FROM	DEAF SMITH COUNTY INTERCHANGE - PLANT X STATION 230KV CKT 1	319	351	0.19979	109.6348	LAWTON EASTSIDE - OKLAUNION 345KV CKT 1
FDNS	06ALL	2	15SP	G13_027	TO->FROM	DEAF SMITH COUNTY INTERCHANGE - PLANT X STATION 230KV CKT 1	319	351	0.22071	97.1	NEWHART 230 - PLANT X STATION 230KV CKT 1
FDNS	06ALL	2	15SP	G13_027	TO->FROM	DEAF SMITH COUNTY INTERCHANGE - PLANT X STATION 230KV CKT 1	319	351	0.20089	96.4	SPP-SWPS-01
FDNS	06ALL	2	15SP	G13_027	TO->FROM	DEAF SMITH COUNTY INTERCHANGE - PLANT X STATION 230KV CKT 1	319	351	0.19979	96.1	SPSCONT-01
FDNS	06ALL	2	15SP	G13_027	TO->FROM	DEAF SMITH COUNTY INTERCHANGE - PLANT X STATION 230KV CKT 1	319	351	0.19979	96	OKLAUNION - TUCO INTERCHANGE 345KV CKT 1
FDNS	06ALL	2	15SP	G13_027	FROM->TO	DEAF SMITH REC-#20 - PARMER COUNTY SUB 115KV CKT 1	96	96	0.05821	109.9541	DEAF SMITH COUNTY INTERCHANGE - PLANT X STATION 230KV CKT 1
FDNS	06ALL	2	15SP	G13_027	TO->FROM	DEAF SMITH REC-#24 - PARMER COUNTY SUB 115KV CKT 1	96	96	0.05821	101.8097	DEAF SMITH COUNTY INTERCHANGE - PLANT X STATION 230KV CKT 1
FDNS	06ALL	2	15G	G13_027	FROM->TO	ELK CITY 230KV (ELKCTY-6) 230/138/13.8KV TRANSFORMER CKT 1	287	316	0.11358	106.8055	LAWTON EASTSIDE - OKLAUNION 345KV CKT 1
FDNS	06ALL	2	15G	G13_027	FROM->TO	ELK CITY 230KV (ELKCTY-6) 230/138/13.8KV TRANSFORMER CKT 1	287	316	0.11358	104.9756	LAWTON EASTSIDE - OKLAUNION 345KV CKT 1
FDNS	06ALL	2	15SP	G13_027	FROM->TO	ELK CITY 230KV (ELKCTY-6) 230/138/13.8KV TRANSFORMER CKT 1	272	316	0.12168	100.0284	LAWTON EASTSIDE - OKLAUNION 345KV CKT 1
FDNS	06ALL	2	15WP	G13_027	FROM->TO	ELK CITY 230KV (ELKCTY-6) 230/138/13.8KV TRANSFORMER CKT 1	287	316	0.12512	99.83074	LAWTON EASTSIDE - OKLAUNION 345KV CKT 1
FDNS	06ALL	2	15SP	G13_027	FROM->TO	ELK CITY 230KV (ELKCTY-6) 230/138/13.8KV TRANSFORMER CKT 1	272	316	0.12168	98.59394	LAWTON EASTSIDE - OKLAUNION 345KV CKT 1
FDNS	06ALL	2	15WP	G13_027	FROM->TO	ELK CITY 230KV (ELKCTY-6) 230/138/13.8KV TRANSFORMER CKT 1	287	316	0.12512	98.42802	LAWTON EASTSIDE - OKLAUNION 345KV CKT 1
FDNS	06ALL	2	15G	G13_027	FROM->TO	ELK CITY 230KV (ELKCTY-6) 230/138/13.8KV TRANSFORMER CKT 1	287	316	0.11358	97.6	SPSCONT-01
FDNS	06ALL	2	15G	G13_027	FROM->TO	ELK CITY 230KV (ELKCTY-6) 230/138/13.8KV TRANSFORMER CKT 1	287	316	0.09978	96.8	DBL-G1114-WW
FDNS	06ALL	2	15G	G13_027	FROM->TO	ELK CITY 230KV (ELKCTY-6) 230/138/13.8KV TRANSFORMER CKT 1	287	316	0.11417	96.7	SPP-SWPS-01
FDNS	06ALL	2	15G	G13_027	FROM->TO	ELK CITY 230KV (ELKCTY-6) 230/138/13.8KV TRANSFORMER CKT 1	287	316	0.11358	96.5	SPSCONT-01
FDNS	06ALL	2	15G	G13_027	FROM->TO	ELK CITY 230KV (ELKCTY-6) 230/138/13.8KV TRANSFORMER CKT 1	287	316	0.11358	96.2	OKLAUNION - TUCO INTERCHANGE 345KV CKT 1
FDNS	06ALL	2	15G	G13_027	FROM->TO	ELK CITY 230KV (ELKCTY-6) 230/138/13.8KV TRANSFORMER CKT 1	287	316	0.11417	95.7	SPP-SWPS-01
FDNS	06ALL	2	15G	G13_027	FROM->TO	ELK CITY 230KV (ELKCTY-6) 230/138/13.8KV TRANSFORMER CKT 1	287	316	0.09978	95.6	DBL-G1114-WW
FDNS	06ALL	2	15G	G13_027	FROM->TO	ELK CITY 230KV (ELKCTY-6) 230/138/13.8KV TRANSFORMER CKT 1	287	316	0.09978	95.5	DBL-BVR-G111
FDNS	06ALL	2	15G	G13_027	FROM->TO	ELK CITY 230KV (ELKCTY-6) 230/138/13.8KV TRANSFORMER CKT 1	287	316	0.11358	95.1	OKLAUNION - TUCO INTERCHANGE 345KV CKT 1
FDNS	06ALL	2	15SP	G13_027	TO->FROM	FLATRDG3 - THISTLE4 138.00 138KV CKT 1	286	286	0.04787	98.1	DBL-THIS-WIC
FDNS	06ALL	2	15G	G13_027	TO->FROM	FPL SWITCH - WOODWARD 138KV CKT 1	133	153	0.04552	161.0764	NORTHWEST - TATONGA7 345.00 345KV CKT 1
FDNS	06ALL	2	15G	G13_027	TO->FROM	FPL SWITCH - WOODWARD 138KV CKT 1	133	153	0.05355	159.4718	DBL-THIS-WWR
FDNS	06ALL	2	15G	G13_027	TO->FROM	FPL SWITCH - WOODWARD 138KV CKT 1	133	153	0.04552	157.784	SPSCONT-05B
FDNS	06ALL	2	15G	G13_027	TO->FROM	FPL SWITCH - WOODWARD 138KV CKT 1	133	153	0.04552	157.1004	SPSCONT-04
FDNS	06ALL	2	15G	G13_027	TO->FROM	FPL SWITCH - WOODWARD 138KV CKT 1	133	153	0.04298	154.0923	DBL-THIS-WIC
FDNS	06ALL	2	15G	G13_027	TO->FROM	FPL SWITCH - WOODWARD 138KV CKT 1	133	153	0.04682	152.7189	LAWTON EASTSIDE - OKLAUNION 345KV CKT 1
FDNS	06ALL	2	15G	G13_027	TO->FROM	FPL SWITCH - WOODWARD 138KV CKT 1	133	153	0.04552	147.5378	G11_051T 345.00 - TATONGA7 345.00 345KV CKT 1
FDNS	06ALL	2	15G	G13_027	TO->FROM	FPL SWITCH - WOODWARD 138KV CKT 1	133	153	0.04552	146.3224	G11_051T 345.00 - WOODWARD DISTRICT EHV 345KV CKT 1
FDNS	06ALL	2	15G	G13_027	TO->FROM	FPL SWITCH - WOODWARD 138KV CKT 1	133	153	0.03186	143.4813	WOODWARD (WOODWRD2) 138/69/13.2KV TRANSFORMER CKT 1
FDNS	06ALL	2	15G	G13_027	TO->FROM	FPL SWITCH - WOODWARD 138KV CKT 1	133	153	0.04552	143.1119	SPSCONT-05AX
FDNS	06ALL	2	15G	G13_027	TO->FROM	FPL SWITCH - WOODWARD 138KV CKT 1	133	153	0.04173	142.197	ELK CITY 230KV - SWEETWATER 230KV CKT 1
FDNS	06ALL	2	15G	G13_027	TO->FROM	FPL SWITCH - WOODWARD 138KV CKT 1	133	153	0.04173	142.1652	ELK CITY 230KV (ELKCTY-6) 230/138/13.8KV TRANSFORMER CKT 1
FDNS	06ALL	2	15G	G13_027	TO->FROM	FPL SWITCH - WOODWARD 138KV CKT 1	133	153	0.04682	141.5791	SPSCONT-01
FDNS	06ALL	2	15G	G13_027	TO->FROM	FPL SWITCH - WOODWARD 138KV CKT 1	133	153	0.04195	139.7583	SPP-SWPS-03
FDNS	06ALL	2	15G	G13_027	TO->FROM	FPL SWITCH - WOODWARD 138KV CKT 1	133	153	0.04682	139.3711	OKLAUNION - TUCO INTERCHANGE 345KV CKT 1
FDNS	06ALL	2	15G	G13_027	TO->FROM	FPL SWITCH - WOODWARD 138KV CKT 1	133	153	0.04662	139.1429	SPP-SWPS-01
FDNS	06ALL	2	15G	G13_027	TO->FROM	FPL SWITCH - WOODWARD 138KV CKT 1	133	153	0.04173	138.6541	SPP-SWPS-02A
FDNS	06ALL	2	15G	G13_027	TO->FROM	FPL SWITCH - WOODWARD 138KV CKT 1	133	153	0.04173	138.3635	GRAPEVINE INTERCHANGE - STATELINE INTERCHANGE 230KV CKT 1
FDNSLock	06ALL	2	15G	G13_027	TO->FROM	FPL SWITCH - WOODWARD 138KV CKT 1	133	153	0.03387	137.0502	IODINE - WOODWARD EHV 138KV CKT 1
FDNS	06ALL	2	15G	G13_027	TO->FROM	FPL SWITCH - WOODWARD 138KV CKT 1	133	153	0.03387	135.4149	DEWEY - IODINE 138KV CKT 1
FDNS	06ALL	2	15G	G13_027	TO->FROM	FPL SWITCH - WOODWARD 138KV CKT 1	133	153	0.04173	132.7991	STATELINE INTERCHANGE - STLN-DEMARC6 230KV CKT 1
FDNS	06ALL	2	15G	G13_027	TO->FROM	FPL SWITCH - WOODWARD 138KV CKT 1	133	153	0.04173	132.7953	SPP-SWPS-02
FDNS	06ALL	2	15G	G13_027	TO->FROM	FPL SWITCH - WOODWARD 138KV CKT 1	133	153	0.04173	132.7834	STLN-DEMARC6 - SWEETWATER 230KV CKT 1
FDNS	06ALL	2	15G	G13_027	TO->FROM	FPL SWITCH - WOODWARD 138KV CKT 1	133	153	0.03443	130.4683	GRAPEVINE INTERCHANGE - NICHOLS STATION 230KV CKT 1
FDNS	06ALL	2	15G	G13_027	TO->FROM	FPL SWITCH - WOODWARD 138KV CKT 1	133	153	0.03186	130.1106	WOODWARD - WOODWARD 69KV CKT 1
FDNS	06ALL	2	15G	G13_027	TO->FROM	FPL SWITCH - WOODWARD 138KV CKT 1	133	153	0.03462	126.1934	THISTLE7 345.00 - WOODWARD DISTRICT EHV 345KV CKT 1
FDNS	06ALL	2	15G	G13_027	TO->FROM	FPL SWITCH - WOODWARD 138KV CKT 1	133	153	0.03462	126.1934	THISTLE7 345.00 - WOODWARD DISTRICT EHV 345KV CKT 2
FDNS	06ALL	2	15G	G13_027	TO->FROM	FPL SWITCH - WOODWARD 138KV CKT 1	133	153	0.03415	124.5364	FINNEY SWITCHING STATION - HOLCOMB 345KV CKT 1
FDNS	06ALL	2	15G	G13_027	TO->FROM	FPL SWITCH - WOODWARD 138KV CKT 1	133	153	0.03171	124.2225	THISTLE7 345.00 - WICHITA 345KV CKT 1
FDNS	06ALL	2	15G	G13_027	TO->FROM	FPL SWITCH - WOODWARD 138KV CKT 1	133	153	0.03171	124.2225	THISTLE7 345.00 - WICHITA 345KV CKT 2
FDNS	06ALL	2	15G	G13_027	TO->FROM	FPL SWITCH - WOODWARD 138KV CKT 1	133	153	0.03415	123.294	SPP-SWPS-05
FDNS	06ALL	2	15G	G13_027	TO->FROM	FPL SWITCH - WOODWARD 138KV CKT 1	133	153	0.03415	123.2358	FINNEY SWITCHING STATION - Hitchland Interchange 345KV CKT 1
FDNS	06ALL	2	15G	G13_027	TO->FROM	FPL SWITCH - WOODWARD 138KV CKT 1	133	153	0.03155	120.7881	ELLIS 4 138.00 - RED HILLS WIND 138KV CKT 1
FDNS	06ALL	2	15G	G13_027	TO->FROM	FPL SWITCH - WOODWARD 138KV CKT 1	133	153	0.03155	118.2424	ELLIS 4 138.00 - MOREWOOD SW 138KV CKT 1
FDNS	06ALL	2	15SP	G13_027	TO->FROM	FPL SWITCH - WOODWARD 138KV CKT 1	133	153	0.05678	111.8037	DBL-THIS-WWR
FDNS	06ALL	2	15G	G13_027	TO->FROM	FPL SWITCH - WOODWARD 138KV CKT 1	133	153	0.03155	105.8822	ELK CITY - RED HILLS WIND 138KV CKT 1
FDNS	06ALL	2	15SP	G13_027	TO->FROM	FPL SWITCH - WOODWARD 138KV CKT 1	133	153	0.04845	105.4283	NORTHWEST - TATONGA7 345.00 345KV CKT 1
FDNS	06ALL	2	15SP	G13_027	TO->FROM	FPL SWITCH - WOODWARD 138KV CKT 1	133	153	0.04979	104.792	LAWTON EASTSIDE - OKLAUNION 345KV CKT 1
FDNS	06ALL	2	15SP	G13_027	TO->FROM	FPL SWITCH - WOODWARD 138KV CKT 1	133	153	0.04845	102.6609	SPSCONT-05B
FDNS	06ALL	2	15SP	G13_027	TO->FROM	FPL SWITCH - WOODWARD 138KV CKT 1	133	153	0.04845	101.5196	SPSCONT-04
FDNS	06ALL	2	15SP	G13_027	TO->FROM	FPL SWITCH - WOODWARD 138KV CKT 1	133	153	0.0459	100.868	DBL-THIS-WIC
FDNS	06ALL	2	15SP	G13_027	TO->FROM	FPL SWITCH - WOODWARD 138KV CKT 1	133	153	0.03514	97.8	WOODWARD (WOODWRD2) 138/69/13.2KV TRANSFORMER CKT 1
FDNS	06ALL	2	20WP	G13_027	TO->FROM	FPL SWITCH - WOODWARD 138KV CKT 1	171	185	0.05151	96.8	NORTHWEST - TATONGA7 345.00 345KV CKT 1
FDNS	06ALL	2	20WP	G13_027	TO->FROM	FPL SWITCH - WOODWARD 138KV CKT 1	171	185	0.06067	96.1	DBL-THIS-WWR
FDNS	06ALL	2	15G	G13_027	TO->FROM	GRAPEVINE INTERCHANGE - NICHOLS STATION 230KV CKT 1	319	351	0.10204	104.1544	LAWTON EASTSIDE - OKLAUNION 345KV CKT 1
FDNS	06ALL	2	20WP	G13_027	TO->FROM	GRAPEVINE INTERCHANGE - NICHOLS STATION 230KV CKT 1	329	361	0.13253	102.6379	LAWTON EASTSIDE - OKLAUNION 345KV CKT 1
FDNS	06ALL	2	15SP	G13_027	TO->FROM	GRAPEVINE INTERCHANGE - NICHOLS STATION 230KV CKT 1	319	351	0.10358	99.55632	LAWTON EASTSIDE - OKLAUNION 345KV CKT 1
FDNS	06ALL	2	15G	G13_027	FROM->TO	GRAPEVINE INTERCHANGE - STATELINE INTERCHANGE 230KV CKT 1	319	351	0.11358	96.1822	LAWTON EASTSIDE - OKLAUNION 345KV CKT 1

SOLUTION	GROUP	SCENARIO	SEASON	SOURCE	DIRECTION	MONITORED ELEMENT	RATEA (MVA)	RATEB (MVA)	TDF	TC%LOADING (% MVA)	CONTINGENCY
FDNS	06ALL	2	15G	G13_027	FROM->TO	HARPER - MILAN TAP 138KV CKT 1	138	143	0.033	116.4392	DBL-THIS-WIC
FDNS	06ALL	2	15SP	G13_027	FROM->TO	HARPER - MILAN TAP 138KV CKT 1	127	136	0.03323	104.4461	DBL-THIS-WIC
FDNS	06ALL	2	15WP	G13_027	FROM->TO	HARPER - MILAN TAP 138KV CKT 1	143	143	0.03324	102.7312	DBL-THIS-WIC
FDNS	06ALL	2	15WP	G13_027	TO->FROM	PLANT X STATION - TOLK STATION EAST 230KV CKT 2	557	557	0.42912	99.7	PLANT X STATION - TOLK STATION WEST 230KV CKT 1
FDNS	06ALL	2	20SP	G13_027	TO->FROM	PLANT X STATION - TOLK STATION EAST 230KV CKT 2	478	502	0.40278	96.2	PLANT X STATION - TOLK STATION WEST 230KV CKT 1
FDNS	06ALL	2	20SP	G13_027	TO->FROM	PLANT X STATION - TOLK STATION WEST 230KV CKT 1	478	502	0.40755	96.9	PLANT X STATION - TOLK STATION EAST 230KV CKT 2
FDNS	06ALL	2	15SP	G13_027	FROM->TO	PLANT X STATION (WH ALM20171) 230/115/13.2KV TRANSFORMER CKT 1	252	252	0.11968	106.9543	NEWHART 230 - PLANT X STATION 230KV CKT 1
FDNS	06ALL	2	15SP	G13_027	FROM->TO	PLANT X STATION (WH ALM20171) 230/115/13.2KV TRANSFORMER CKT 1	252	252	0.08666	104.7846	LAMB COUNTY INTERCHANGE (WH ALM20172) 230/115/13.2KV TRANSFORMER CKT 1
FDNS	06ALL	2	15SP	G13_027	FROM->TO	PLANT X STATION (WH ALM20171) 230/115/13.2KV TRANSFORMER CKT 1	252	252	0.08666	104.7807	SPP-SWPS-K37
FDNS	06ALL	2	15SP	G13_027	FROM->TO	PLANT X STATION (WH ALM20171) 230/115/13.2KV TRANSFORMER CKT 1	252	252	0.08666	104.7599	LAMB COUNTY INTERCHANGE - TOLK STATION WEST 230KV CKT 1
FDNS	06ALL	2	15SP	G13_027	FROM->TO	PLANT X STATION (WH ALM20171) 230/115/13.2KV TRANSFORMER CKT 1	252	252	0.11968	104.2664	NEWHART 230 - PLANT X STATION 230KV CKT 1
FDNS	06ALL	2	15SP	G13_027	FROM->TO	PLANT X STATION (WH ALM20171) 230/115/13.2KV TRANSFORMER CKT 1	252	252	0.10326	102.3785	DEAF SMITH COUNTY INTERCHANGE - PLANT X STATION 230KV CKT 1
FDNS	06ALL	2	15SP	G13_027	FROM->TO	PLANT X STATION (WH ALM20171) 230/115/13.2KV TRANSFORMER CKT 1	252	252	0.08666	102.3506	LAMB COUNTY INTERCHANGE (WH ALM20172) 230/115/13.2KV TRANSFORMER CKT 1
FDNS	06ALL	2	15SP	G13_027	FROM->TO	PLANT X STATION (WH ALM20171) 230/115/13.2KV TRANSFORMER CKT 1	252	252	0.08666	102.3469	SPP-SWPS-K37
FDNS	06ALL	2	15SP	G13_027	FROM->TO	PLANT X STATION (WH ALM20171) 230/115/13.2KV TRANSFORMER CKT 1	252	252	0.08666	102.3256	LAMB COUNTY INTERCHANGE - TOLK STATION WEST 230KV CKT 1
FDNS	06ALL	2	15SP	G13_027	FROM->TO	PLANT X STATION (WH ALM20171) 230/115/13.2KV TRANSFORMER CKT 1	252	252	0.10326	99.6	DEAF SMITH COUNTY INTERCHANGE - PLANT X STATION 230KV CKT 1
FDNS	06ALL	2	15SP	G13_027	FROM->TO	PLANT X STATION (WH ALM20171) 230/115/13.2KV TRANSFORMER CKT 1	252	252	0.07249	95.6	GEN525493 1-PLANT X GEN #3
FDNS	06ALL	2	15G	G13_027	FROM->TO	TUCO INTERCHANGE - TUCO_2 230.00 230KV CKT 1	319	351	0.18726	114.1018	SPP-SWPS-01
FDNS	06ALL	2	15G	G13_027	FROM->TO	TUCO INTERCHANGE - TUCO_2 230.00 230KV CKT 1	319	351	0.18154	107.1921	TUCO INTERCHANGE (SIEM 8743066) 345/230/13.2KV TRANSFORMER CKT 2
FDNS	06ALL	2	20WP	G13_027	FROM->TO	TUCO INTERCHANGE - TUCO_2 230.00 230KV CKT 1	329	361	0.15066	101.7389	SPP-SWPS-01
FDNS	06ALL	2	20WP	G13_027	FROM->TO	TUCO INTERCHANGE - TUCO_2 230.00 230KV CKT 1	329	361	0.15227	100.0723	TUCO INTERCHANGE (GE M1022338) 345/230/13.2KV TRANSFORMER CKT 1
FDNS	06ALL	2	15G	G13_027	FROM->TO	TUCO INTERCHANGE - TUCO_2 230.00 230KV CKT 1	319	351	0.13756	98.75284	LAWTON EASTSIDE - OKLAUNION 345KV CKT 1
FDNS	06ALL	2	15SP	G13_027	FROM->TO	TUCO INTERCHANGE - TUCO_2 230.00 230KV CKT 1	319	351	0.16812	96.5	TUCO INTERCHANGE - TUCO_2 345.00 345KV CKT 1
FDNS	06ALL	2	15WP	G13_027	FROM->TO	TUCO INTERCHANGE - TUCO_2 230.00 230KV CKT 1	329	361	0.20153	96.4	TUCO INTERCHANGE (GE M1022338) 345/230/13.2KV TRANSFORMER CKT 1
FDNS	06ALL	2	15WP	G13_027	FROM->TO	TUCO INTERCHANGE - TUCO_2 230.00 230KV CKT 1	329	361	0.19294	95.1	SPP-SWPS-01
FDNS	06ALL	2	15SP	G13_027	FROM->TO	YOAKUM COUNTY INTERCHANGE (PENN C010585) 230/115/13.2KV TRANSFORMER CKT 2	150	150	0.03004	100.6492	YOAKUM COUNTY INTERCHANGE (GE M100899) 230/115/13.2KV TRANSFORMER CKT 1
FDNS	06ALL	2	15SP	G13_027	FROM->TO	YOAKUM COUNTY INTERCHANGE (PENN C010585) 230/115/13.2KV TRANSFORMER CKT 2	150	150	0.03004	97.1	YOAKUM COUNTY INTERCHANGE (GE M100899) 230/115/13.2KV TRANSFORMER CKT 1
FDNS	06ALL	3	15G	G13_027	FROM->TO	CLEARWATER - GILL ENERGY CENTER WEST 138KV CKT 1	143	143	0.03304	100.3353	DBL-THIS-WIC
FDNS	06ALL	3	15G	G13_027	TO->FROM	CLEARWATER - MILAN TAP 138KV CKT 1	110	110	0.03304	139.9081	DBL-THIS-WIC
FDNS	06ALL	3	20WP	G13_027	TO->FROM	CLEARWATER - MILAN TAP 138KV CKT 1	110	110	0.03324	108.5249	DBL-THIS-WIC
FDNS	06ALL	3	15WP	G13_027	TO->FROM	CLEARWATER - MILAN TAP 138KV CKT 1	110	110	0.03327	106.1126	DBL-THIS-WIC
FDNS	06ALL	3	15SP	G13_027	TO->FROM	CLEARWATER - MILAN TAP 138KV CKT 1	110	110	0.03325	99.9	DBL-THIS-WIC
FDNS	06ALL	3	15SP	G13_027	FROM->TO	CURRY COUNTY INTERCHANGE - DEAF SMITH REC-#20 115KV CKT 1	96	96	0.05825	120.7305	DEAF SMITH COUNTY INTERCHANGE - PLANT X STATION 230KV CKT 1
FDNS	06ALL	3	20SP	G13_027	FROM->TO	CURRY COUNTY INTERCHANGE - DEAF SMITH REC-#20 115KV CKT 1	96	96	0.05145	104.6276	DEAF SMITH COUNTY INTERCHANGE - PLANT X STATION 230KV CKT 1
FDNS	06ALL	3	15SP	G13_027	FROM->TO	CURRY COUNTY INTERCHANGE - DEAF SMITH REC-#20 115KV CKT 1	96	96	0.03985	103.3912	LAWTON EASTSIDE - OKLAUNION 345KV CKT 1
FDNS	06ALL	3	15SP	G13_027	TO->FROM	DEAF SMITH COUNTY INTERCHANGE - PLANT X STATION 230KV CKT 1	319	351	0.19992	109.4403	LAWTON EASTSIDE - OKLAUNION 345KV CKT 1
FDNS	06ALL	3	15SP	G13_027	TO->FROM	DEAF SMITH COUNTY INTERCHANGE - PLANT X STATION 230KV CKT 1	319	351	0.22086	96.9	NEWHART 230 - PLANT X STATION 230KV CKT 1
FDNS	06ALL	3	15SP	G13_027	TO->FROM	DEAF SMITH COUNTY INTERCHANGE - PLANT X STATION 230KV CKT 1	319	351	0.20102	96.2	SPP-SWPS-01
FDNS	06ALL	3	15SP	G13_027	TO->FROM	DEAF SMITH COUNTY INTERCHANGE - PLANT X STATION 230KV CKT 1	319	351	0.19992	96	SPSCONT-01
FDNS	06ALL	3	15SP	G13_027	TO->FROM	DEAF SMITH COUNTY INTERCHANGE - PLANT X STATION 230KV CKT 1	319	351	0.19992	95.8	OKLAUNION - TUCO INTERCHANGE 345KV CKT 1
FDNS	06ALL	3	15SP	G13_027	FROM->TO	DEAF SMITH REC-#20 - PARMER COUNTY SUB 115KV CKT 1	96	96	0.05825	107.5483	DEAF SMITH COUNTY INTERCHANGE - PLANT X STATION 230KV CKT 1
FDNS	06ALL	3	15SP	G13_027	TO->FROM	DEAF SMITH REC-#24 - PARMER COUNTY SUB 115KV CKT 1	96	96	0.05825	99.8	DEAF SMITH COUNTY INTERCHANGE - PLANT X STATION 230KV CKT 1
FDNS	06ALL	3	15G	G13_027	FROM->TO	ELK CITY 230KV (ELKCTY-6) 230/138/13.8KV TRANSFORMER CKT 1	287	316	0.11372	106.8002	LAWTON EASTSIDE - OKLAUNION 345KV CKT 1
FDNS	06ALL	3	15G	G13_027	FROM->TO	ELK CITY 230KV (ELKCTY-6) 230/138/13.8KV TRANSFORMER CKT 1	287	316	0.11372	104.9708	LAWTON EASTSIDE - OKLAUNION 345KV CKT 1
FDNS	06ALL	3	15SP	G13_027	FROM->TO	ELK CITY 230KV (ELKCTY-6) 230/138/13.8KV TRANSFORMER CKT 1	272	316	0.12176	100.0238	LAWTON EASTSIDE - OKLAUNION 345KV CKT 1
FDNS	06ALL	3	15WP	G13_027	FROM->TO	ELK CITY 230KV (ELKCTY-6) 230/138/13.8KV TRANSFORMER CKT 1	287	316	0.12524	99.80477	LAWTON EASTSIDE - OKLAUNION 345KV CKT 1
FDNS	06ALL	3	15SP	G13_027	FROM->TO	ELK CITY 230KV (ELKCTY-6) 230/138/13.8KV TRANSFORMER CKT 1	272	316	0.12176	98.58963	LAWTON EASTSIDE - OKLAUNION 345KV CKT 1
FDNS	06ALL	3	15WP	G13_027	FROM->TO	ELK CITY 230KV (ELKCTY-6) 230/138/13.8KV TRANSFORMER CKT 1	287	316	0.12524	98.40416	LAWTON EASTSIDE - OKLAUNION 345KV CKT 1
FDNS	06ALL	3	15G	G13_027	FROM->TO	ELK CITY 230KV (ELKCTY-6) 230/138/13.8KV TRANSFORMER CKT 1	287	316	0.11372	97.5	SPSCONT-01
FDNS	06ALL	3	15G	G13_027	FROM->TO	ELK CITY 230KV (ELKCTY-6) 230/138/13.8KV TRANSFORMER CKT 1	287	316	0.11431	96.7	SPP-SWPS-01
FDNS-CHECK-TC-Iteration Limit Exceeded.	06ALL	3	15G	G13_027	FROM->TO	ELK CITY 230KV (ELKCTY-6) 230/138/13.8KV TRANSFORMER CKT 1	287	316	0.0999	96.7	DBL-G1114-WW
FDNS	06ALL	3	15G	G13_027	FROM->TO	ELK CITY 230KV (ELKCTY-6) 230/138/13.8KV TRANSFORMER CKT 1	287	316	0.11372	96.5	SPSCONT-01
FDNS	06ALL	3	15G	G13_027	FROM->TO	ELK CITY 230KV (ELKCTY-6) 230/138/13.8KV TRANSFORMER CKT 1	287	316	0.11372	96.4	OKLAUNION - TUCO INTERCHANGE 345KV CKT 1
FDNS	06ALL	3	15G	G13_027	FROM->TO	ELK CITY 230KV (ELKCTY-6) 230/138/13.8KV TRANSFORMER CKT 1	287	316	0.0999	95.6	DBL-BVR-G111
FDNS-CHECK-TC-Iteration Limit Exceeded.	06ALL	3	15G	G13_027	FROM->TO	ELK CITY 230KV (ELKCTY-6) 230/138/13.8KV TRANSFORMER CKT 1	287	316	0.0999	95.6	DBL-G1114-WW
FDNS	06ALL	3	15G	G13_027	FROM->TO	ELK CITY 230KV (ELKCTY-6) 230/138/13.8KV TRANSFORMER CKT 1	287	316	0.11431	95.5	SPP-SWPS-01
FDNS	06ALL	3	15G	G13_027	FROM->TO	ELK CITY 230KV (ELKCTY-6) 230/138/13.8KV TRANSFORMER CKT 1	287	316	0.11372	95.3	OKLAUNION - TUCO INTERCHANGE 345KV CKT 1
FDNS	06ALL	3	15SP	G13_027	TO->FROM	FLATRDG3 - THISTLE4 138.00 138KV CKT 1	286	286	0.0479	98.1	DBL-THIS-WIC
FDNS	06ALL	3	15G	G13_027	TO->FROM	FPL SWITCH - WOODWARD 138KV CKT 1	133	153	0.04558	161.139	NORTHWEST - TATONGA7 345.00 345KV CKT 1
FDNS	06ALL	3	15G	G13_027	TO->FROM	FPL SWITCH - WOODWARD 138KV CKT 1	133	153	0.05362	159.4606	DBL-THIS-WWR
FDNS	06ALL	3	15G	G13_027	TO->FROM	FPL SWITCH - WOODWARD 138KV CKT 1	133	153	0.04558	157.7752	SPSCONT-05B
FDNS	06ALL	3	15G	G13_027	TO->FROM	FPL SWITCH - WOODWARD 138KV CKT 1	133	153	0.04558	157.1729	SPSCONT-04

SOLUTION	GROUP	SCENARIO	SEASON	SOURCE	DIRECTION	MONITORED ELEMENT	RATEA (MVA)	RATEB(MVA)	TC%LOADING TDF (% MVA)	CONTINGENCY	
FDNS	06ALL	3	15G	G13_027	TO->FROM	FPL SWITCH - WOODWARD 138KV CKT 1	133	153	0.04303	154.0712	DBL-THIS-WIC
FDNS	06ALL	3	15G	G13_027	TO->FROM	FPL SWITCH - WOODWARD 138KV CKT 1	133	153	0.04687	152.6468	LAWTON EASTSIDE - OKLAUNION 345KV CKT 1
FDNS	06ALL	3	15G	G13_027	TO->FROM	FPL SWITCH - WOODWARD 138KV CKT 1	133	153	0.04558	147.5252	G11_051T 345.00 - TATONGA7 345.00 345KV CKT 1
FDNS	06ALL	3	15G	G13_027	TO->FROM	FPL SWITCH - WOODWARD 138KV CKT 1	133	153	0.04558	146.2378	G11_051T 345.00 - WOODWARD DISTRICT EHV 345KV CKT 1
FDNS	06ALL	3	15G	G13_027	TO->FROM	FPL SWITCH - WOODWARD 138KV CKT 1	133	153	0.03919	143.417	WOODWARD (WOODWRD2) 138/69/13.2KV TRANSFORMER CKT 1
FDNS	06ALL	3	15G	G13_027	TO->FROM	FPL SWITCH - WOODWARD 138KV CKT 1	133	153	0.04558	143.0314	SPSCONT-05AX
FDNS	06ALL	3	15G	G13_027	TO->FROM	FPL SWITCH - WOODWARD 138KV CKT 1	133	153	0.04178	142.1867	ELK CITY 230KV - SWEETWATER 230KV CKT 1
FDNS	06ALL	3	15G	G13_027	TO->FROM	FPL SWITCH - WOODWARD 138KV CKT 1	133	153	0.04178	142.1522	ELK CITY 230KV (ELKCTY-6) 230/138/13.8KV TRANSFORMER CKT 1
FDNS	06ALL	3	15G	G13_027	TO->FROM	FPL SWITCH - WOODWARD 138KV CKT 1	133	153	0.04687	141.5408	SPSCONT-01
FDNS	06ALL	3	15G	G13_027	TO->FROM	FPL SWITCH - WOODWARD 138KV CKT 1	133	153	0.04687	139.7718	SPP-SWPS-03
FDNS	06ALL	3	15G	G13_027	TO->FROM	FPL SWITCH - WOODWARD 138KV CKT 1	133	153	0.04687	139.4068	OKLAUNION - TUCO INTERCHANGE 345KV CKT 1
FDNS	06ALL	3	15G	G13_027	TO->FROM	FPL SWITCH - WOODWARD 138KV CKT 1	133	153	0.04668	139.2189	SPP-SWPS-01
FDNS	06ALL	3	15G	G13_027	TO->FROM	FPL SWITCH - WOODWARD 138KV CKT 1	133	153	0.04178	138.5807	SPP-SWPS-02A
FDNS	06ALL	3	15G	G13_027	TO->FROM	FPL SWITCH - WOODWARD 138KV CKT 1	133	153	0.04178	138.419	GRAPEVINE INTERCHANGE - STATELINE INTERCHANGE 230KV CKT 1
FDNS	06ALL	3	15G	G13_027	TO->FROM	FPL SWITCH - WOODWARD 138KV CKT 1	133	153	0.03391	137.3554	IODINE - WOODWARD EHV 138KV CKT 1
FDNS	06ALL	3	15G	G13_027	TO->FROM	FPL SWITCH - WOODWARD 138KV CKT 1	133	153	0.03391	135.3142	DEWEY - IODINE 138KV CKT 1
FDNS	06ALL	3	15G	G13_027	TO->FROM	FPL SWITCH - WOODWARD 138KV CKT 1	133	153	0.04178	132.9488	STATELINE INTERCHANGE - STLN-DEMAR6 230KV CKT 1
FDNS	06ALL	3	15G	G13_027	TO->FROM	FPL SWITCH - WOODWARD 138KV CKT 1	133	153	0.04178	132.9455	SPP-SWPS-02
FDNS	06ALL	3	15G	G13_027	TO->FROM	FPL SWITCH - WOODWARD 138KV CKT 1	133	153	0.04178	132.9341	STLN-DEMAR6 - SWEETWATER 230KV CKT 1
FDNS	06ALL	3	15G	G13_027	TO->FROM	FPL SWITCH - WOODWARD 138KV CKT 1	133	153	0.03447	130.4008	GRAPEVINE INTERCHANGE - NICHOLS STATION 230KV CKT 1
FDNS	06ALL	3	15G	G13_027	TO->FROM	FPL SWITCH - WOODWARD 138KV CKT 1	133	153	0.0319	130.0269	WOODWARD - WOODWARD 69KV CKT 1
FDNS	06ALL	3	15G	G13_027	TO->FROM	FPL SWITCH - WOODWARD 138KV CKT 1	133	153	0.03466	126.1489	THISTLE7 345.00 - WOODWARD DISTRICT EHV 345KV CKT 1
FDNS	06ALL	3	15G	G13_027	TO->FROM	FPL SWITCH - WOODWARD 138KV CKT 1	133	153	0.03466	126.1489	THISTLE7 345.00 - WOODWARD DISTRICT EHV 345KV CKT 2
FDNS	06ALL	3	15G	G13_027	TO->FROM	FPL SWITCH - WOODWARD 138KV CKT 1	133	153	0.03419	124.4764	FINNEY SWITCHING STATION - HOLCOMB 345KV CKT 1
FDNS	06ALL	3	15G	G13_027	TO->FROM	FPL SWITCH - WOODWARD 138KV CKT 1	133	153	0.03174	124.1911	THISTLE7 345.00 - WICHITA 345KV CKT 1
FDNS	06ALL	3	15G	G13_027	TO->FROM	FPL SWITCH - WOODWARD 138KV CKT 1	133	153	0.03174	124.1911	THISTLE7 345.00 - WICHITA 345KV CKT 2
FDNS	06ALL	3	15G	G13_027	TO->FROM	FPL SWITCH - WOODWARD 138KV CKT 1	133	153	0.03419	123.2348	SPP-SWPS-05
FDNS	06ALL	3	15G	G13_027	TO->FROM	FPL SWITCH - WOODWARD 138KV CKT 1	133	153	0.03419	123.1767	FINNEY SWITCHING STATION - Hitchland Interchange 345KV CKT 1
FDNS	06ALL	3	15G	G13_027	TO->FROM	FPL SWITCH - WOODWARD 138KV CKT 1	133	153	0.03159	120.7358	ELLIS 4 138.00 - RED HILLS WIND 138KV CKT 1
FDNS	06ALL	3	15G	G13_027	TO->FROM	FPL SWITCH - WOODWARD 138KV CKT 1	133	153	0.03159	118.208	ELLIS 4 138.00 - MOREWOOD SW 138KV CKT 1
FDNS	06ALL	3	15SP	G13_027	TO->FROM	FPL SWITCH - WOODWARD 138KV CKT 1	133	153	0.05682	111.727	DBL-THIS-WWR
FDNS	06ALL	3	15G	G13_027	TO->FROM	FPL SWITCH - WOODWARD 138KV CKT 1	133	153	0.03159	106.2134	ELK CITY - RED HILLS WIND 138KV CKT 1
FDNS	06ALL	3	15SP	G13_027	TO->FROM	FPL SWITCH - WOODWARD 138KV CKT 1	133	153	0.04848	105.3474	NORTHWEST - TATONGA7 345.00 345KV CKT 1
FDNS	06ALL	3	15SP	G13_027	TO->FROM	FPL SWITCH - WOODWARD 138KV CKT 1	133	153	0.04982	104.763	LAWTON EASTSIDE - OKLAUNION 345KV CKT 1
FDNS	06ALL	3	15SP	G13_027	TO->FROM	FPL SWITCH - WOODWARD 138KV CKT 1	133	153	0.04848	102.5806	SPSCONT-05B
FDNS	06ALL	3	15SP	G13_027	TO->FROM	FPL SWITCH - WOODWARD 138KV CKT 1	133	153	0.04848	101.4405	SPSCONT-04
FDNS	06ALL	3	15SP	G13_027	TO->FROM	FPL SWITCH - WOODWARD 138KV CKT 1	133	153	0.04592	100.7966	DBL-THIS-WIC
FDNS	06ALL	3	15SP	G13_027	TO->FROM	FPL SWITCH - WOODWARD 138KV CKT 1	133	153	0.03517	97.7	WOODWARD (WOODWRD2) 138/69/13.2KV TRANSFORMER CKT 1
FDNS	06ALL	3	20WP	G13_027	TO->FROM	FPL SWITCH - WOODWARD 138KV CKT 1	171	185	0.05156	96.7	NORTHWEST - TATONGA7 345.00 345KV CKT 1
FDNS	06ALL	3	20WP	G13_027	TO->FROM	FPL SWITCH - WOODWARD 138KV CKT 1	171	185	0.06072	96	DBL-THIS-WWR
FDNS	06ALL	3	15G	G13_027	TO->FROM	GRAPEVINE INTERCHANGE - NICHOLS STATION 230KV CKT 1	319	351	0.10216	104.2251	LAWTON EASTSIDE - OKLAUNION 345KV CKT 1
FDNS	06ALL	3	20WP	G13_027	TO->FROM	GRAPEVINE INTERCHANGE - NICHOLS STATION 230KV CKT 1	329	361	0.13265	102.6177	LAWTON EASTSIDE - OKLAUNION 345KV CKT 1
FDNS	06ALL	3	15SP	G13_027	TO->FROM	GRAPEVINE INTERCHANGE - NICHOLS STATION 230KV CKT 1	319	351	0.10365	99.55151	LAWTON EASTSIDE - OKLAUNION 345KV CKT 1
FDNS	06ALL	3	15G	G13_027	FROM->TO	GRAPEVINE INTERCHANGE - STATELINE INTERCHANGE 230KV CKT 1	319	351	0.11372	96.19302	LAWTON EASTSIDE - OKLAUNION 345KV CKT 1
FDNS	06ALL	3	15G	G13_027	FROM->TO	HARPER - MILAN TAP 138KV CKT 1	138	143	0.03304	116.387	DBL-THIS-WIC
FDNS	06ALL	3	15SP	G13_027	FROM->TO	HARPER - MILAN TAP 138KV CKT 1	127	136	0.03325	104.4151	DBL-THIS-WIC
FDNS	06ALL	3	15WP	G13_027	FROM->TO	HARPER - MILAN TAP 138KV CKT 1	143	143	0.03327	102.7046	DBL-THIS-WIC
FDNS	06ALL	3	15WP	G13_027	TO->FROM	PLANT X STATION - TOLK STATION EAST 230KV CKT 2	557	557	0.42961	99.6	PLANT X STATION - TOLK STATION WEST 230KV CKT 1
FDNS	06ALL	3	20SP	G13_027	TO->FROM	PLANT X STATION - TOLK STATION EAST 230KV CKT 2	478	502	0.40314	96.2	PLANT X STATION - TOLK STATION WEST 230KV CKT 1
FDNS	06ALL	3	20SP	G13_027	TO->FROM	PLANT X STATION - TOLK STATION WEST 230KV CKT 1	478	502	0.40791	97	PLANT X STATION - TOLK STATION EAST 230KV CKT 2
FDNS	06ALL	3	15SP	G13_027	FROM->TO	PLANT X STATION (WH ALM20171) 230/115/13.2KV TRANSFORMER CKT 1	252	252	0.11975	106.8107	NEWHART 230 - PLANT X STATION 230KV CKT 1
FDNS	06ALL	3	15SP	G13_027	FROM->TO	PLANT X STATION (WH ALM20171) 230/115/13.2KV TRANSFORMER CKT 1	252	252	0.08672	104.6633	LAMB COUNTY INTERCHANGE - TOLK STATION WEST 230KV CKT 1
FDNS	06ALL	3	15SP	G13_027	FROM->TO	PLANT X STATION (WH ALM20171) 230/115/13.2KV TRANSFORMER CKT 1	252	252	0.08672	104.6607	LAMB COUNTY INTERCHANGE (WH ALM20172) 230/115/13.2KV TRANSFORMER CKT 1
FDNS	06ALL	3	15SP	G13_027	FROM->TO	PLANT X STATION (WH ALM20171) 230/115/13.2KV TRANSFORMER CKT 1	252	252	0.08672	104.6607	SPP-SWPS-K37
FDNS	06ALL	3	15SP	G13_027	FROM->TO	PLANT X STATION (WH ALM20171) 230/115/13.2KV TRANSFORMER CKT 1	252	252	0.11975	104.1177	NEWHART 230 - PLANT X STATION 230KV CKT 1
FDNS	06ALL	3	15SP	G13_027	FROM->TO	PLANT X STATION (WH ALM20171) 230/115/13.2KV TRANSFORMER CKT 1	252	252	0.10333	102.2408	DEAF SMITH COUNTY INTERCHANGE - PLANT X STATION 230KV CKT 1
FDNS	06ALL	3	15SP	G13_027	FROM->TO	PLANT X STATION (WH ALM20171) 230/115/13.2KV TRANSFORMER CKT 1	252	252	0.08672	102.2229	LAMB COUNTY INTERCHANGE - TOLK STATION WEST 230KV CKT 1
FDNS	06ALL	3	15SP	G13_027	FROM->TO	PLANT X STATION (WH ALM20171) 230/115/13.2KV TRANSFORMER CKT 1	252	252	0.08672	102.2204	LAMB COUNTY INTERCHANGE (WH ALM20172) 230/115/13.2KV TRANSFORMER CKT 1
FDNS	06ALL	3	15SP	G13_027	FROM->TO	PLANT X STATION (WH ALM20171) 230/115/13.2KV TRANSFORMER CKT 1	252	252	0.08672	102.2204	SPP-SWPS-K37
FDNS	06ALL	3	15SP	G13_027	FROM->TO	PLANT X STATION (WH ALM20171) 230/115/13.2KV TRANSFORMER CKT 1	252	252	0.10333	99.5	DEAF SMITH COUNTY INTERCHANGE - PLANT X STATION 230KV CKT 1
FDNS	06ALL	3	15SP	G13_027	FROM->TO	PLANT X STATION (WH ALM20171) 230/115/13.2KV TRANSFORMER CKT 1	252	252	0.07254	95.4	GEN525493 1-PLANT X GEN #3
FDNS	06ALL	3	15SP	G13_027	FROM->TO	YOAKUM COUNTY INTERCHANGE (PENN C010585) 230/115/13.2KV TRANSFORMER CKT 2	150	150	0.03005	100.7372	YOAKUM COUNTY INTERCHANGE (GE M100899) 230/115/13.2KV TRANSFORMER CKT 1
FDNS	06ALL	3	15SP	G13_027	FROM->TO	YOAKUM COUNTY INTERCHANGE (PENN C010585) 230/115/13.2KV TRANSFORMER CKT 2	150	150	0.03005	97.1	YOAKUM COUNTY INTERCHANGE (GE M100899) 230/115/13.2KV TRANSFORMER CKT 1
FDNS	06ALL	4	15G	G13_027	FROM->TO	CLEARWATER - GILL ENERGY CENTER WEST 138KV CKT 1	143	143	0.03304	100.3353	DBL-THIS-WIC
FDNS	06ALL	4	15G	G13_027	TO->FROM	CLEARWATER - MILAN TAP 138KV CKT 1	110	110	0.03304	139.9081	DBL-THIS-WIC
FDNS	06ALL	4	20WP	G13_027	TO->FROM	CLEARWATER - MILAN TAP 138KV CKT 1	110	110	0.03324	108.5249	DBL-THIS-WIC
FDNS	06ALL	4	15WP	G13_027	TO->FROM	CLEARWATER - MILAN TAP 138KV CKT 1	110	110	0.03327	106.1126	DBL-THIS-WIC
FDNS	06ALL	4	15SP	G13_027	TO->FROM	CLEARWATER - MILAN TAP 138KV CKT 1	110	110	0.03325	99.9	DBL-THIS-WIC
FDNS	06ALL	4	15SP	G13_027	FROM->TO	CURRY COUNTY INTERCHANGE - DEAF SMITH REC-#20 115KV CKT 1	96	96	0.05825	120.7303	DEAF SMITH COUNTY INTERCHANGE - PLANT X STATION 230KV CKT 1
FDNS	06ALL	4	20SP	G13_027	FROM->TO	CURRY COUNTY INTERCHANGE - DEAF SMITH REC-#20 115KV CKT 1	96	96	0.05145	104.6276	DEAF SMITH COUNTY INTERCHANGE - PLANT X STATION 230KV CKT 1
FDNS	06ALL	4	15SP	G13_027	FROM->TO	CURRY COUNTY INTERCHANGE - DEAF SMITH REC-#20 115KV CKT 1	96	96	0.03985	103.3913	LAWTON EASTSIDE - OKLAUNION 345KV CKT 1
FDNS	06ALL	4	15SP	G13_027	TO->FROM	DEAF SMITH COUNTY INTERCHANGE - PLANT X STATION 230KV CKT 1	319	351	0.19992	109.4404	LAWTON EASTSIDE - OKLAUNION 345KV CKT 1

SOLUTION	GROUP	SCENARIO	SEASON	SOURCE	DIRECTION	MONITORED ELEMENT	RATEA (MVA)	RATEB (MVA)	TDF	TC%LOADING (% MVA)	CONTINGENCY
FDNS	06ALL	4	15SP	G13_027	TO->FROM	DEAF SMITH COUNTY INTERCHANGE - PLANT X STATION 230KV CKT 1	319	351	0.22086	96.9	NEWHART 230 - PLANT X STATION 230KV CKT 1
FDNS	06ALL	4	15SP	G13_027	TO->FROM	DEAF SMITH COUNTY INTERCHANGE - PLANT X STATION 230KV CKT 1	319	351	0.20102	96.2	SPP-SWPS-01
FDNS	06ALL	4	15SP	G13_027	TO->FROM	DEAF SMITH COUNTY INTERCHANGE - PLANT X STATION 230KV CKT 1	319	351	0.19992	96	SPSCONT-01
FDNS	06ALL	4	15SP	G13_027	TO->FROM	DEAF SMITH COUNTY INTERCHANGE - PLANT X STATION 230KV CKT 1	319	351	0.19992	95.8	OKLAUNION - TUCO INTERCHANGE 345KV CKT 1
FDNS	06ALL	4	15SP	G13_027	FROM->TO	DEAF SMITH REC-#20 - PARMER COUNTY SUB 115KV CKT 1	96	96	0.05825	107.5483	DEAF SMITH COUNTY INTERCHANGE - PLANT X STATION 230KV CKT 1
FDNS	06ALL	4	15SP	G13_027	TO->FROM	DEAF SMITH REC-#24 - PARMER COUNTY SUB 115KV CKT 1	96	96	0.05825	99.8	DEAF SMITH COUNTY INTERCHANGE - PLANT X STATION 230KV CKT 1
FDNS	06ALL	4	15G	G13_027	FROM->TO	ELK CITY 230KV (ELKCTY-6) 230/138/13.8KV TRANSFORMER CKT 1	287	316	0.11372	106.8002	LAWTON EASTSIDE - OKLAUNION 345KV CKT 1
FDNS	06ALL	4	15G	G13_027	FROM->TO	ELK CITY 230KV (ELKCTY-6) 230/138/13.8KV TRANSFORMER CKT 1	287	316	0.11372	104.9708	LAWTON EASTSIDE - OKLAUNION 345KV CKT 1
FDNS	06ALL	4	15SP	G13_027	FROM->TO	ELK CITY 230KV (ELKCTY-6) 230/138/13.8KV TRANSFORMER CKT 1	272	316	0.12176	100.0245	LAWTON EASTSIDE - OKLAUNION 345KV CKT 1
FDNS	06ALL	4	15WP	G13_027	FROM->TO	ELK CITY 230KV (ELKCTY-6) 230/138/13.8KV TRANSFORMER CKT 1	287	316	0.12524	99.80477	LAWTON EASTSIDE - OKLAUNION 345KV CKT 1
FDNS	06ALL	4	15SP	G13_027	FROM->TO	ELK CITY 230KV (ELKCTY-6) 230/138/13.8KV TRANSFORMER CKT 1	272	316	0.12176	98.59045	LAWTON EASTSIDE - OKLAUNION 345KV CKT 1
FDNS	06ALL	4	15WP	G13_027	FROM->TO	ELK CITY 230KV (ELKCTY-6) 230/138/13.8KV TRANSFORMER CKT 1	287	316	0.12524	98.40416	LAWTON EASTSIDE - OKLAUNION 345KV CKT 1
FDNS	06ALL	4	15G	G13_027	FROM->TO	ELK CITY 230KV (ELKCTY-6) 230/138/13.8KV TRANSFORMER CKT 1	287	316	0.11372	97.5	SPSCONT-01
FDNS	06ALL	4	15G	G13_027	FROM->TO	ELK CITY 230KV (ELKCTY-6) 230/138/13.8KV TRANSFORMER CKT 1	287	316	0.11431	96.7	SPP-SWPS-01
FDNS-CHECK-TC-Iteration Limit Exceeded.	06ALL	4	15G	G13_027	FROM->TO	ELK CITY 230KV (ELKCTY-6) 230/138/13.8KV TRANSFORMER CKT 1	287	316	0.0999	96.7	DBL-G1114-WW
FDNS	06ALL	4	15G	G13_027	FROM->TO	ELK CITY 230KV (ELKCTY-6) 230/138/13.8KV TRANSFORMER CKT 1	287	316	0.11372	96.5	SPSCONT-01
FDNS	06ALL	4	15G	G13_027	FROM->TO	ELK CITY 230KV (ELKCTY-6) 230/138/13.8KV TRANSFORMER CKT 1	287	316	0.11372	96.4	OKLAUNION - TUCO INTERCHANGE 345KV CKT 1
FDNS	06ALL	4	15G	G13_027	FROM->TO	ELK CITY 230KV (ELKCTY-6) 230/138/13.8KV TRANSFORMER CKT 1	287	316	0.0999	95.6	DBL-BVR-G111
FDNS-CHECK-TC-Iteration Limit Exceeded.	06ALL	4	15G	G13_027	FROM->TO	ELK CITY 230KV (ELKCTY-6) 230/138/13.8KV TRANSFORMER CKT 1	287	316	0.0999	95.6	DBL-G1114-WW
FDNS	06ALL	4	15G	G13_027	FROM->TO	ELK CITY 230KV (ELKCTY-6) 230/138/13.8KV TRANSFORMER CKT 1	287	316	0.11431	95.5	SPP-SWPS-01
FDNS	06ALL	4	15G	G13_027	FROM->TO	ELK CITY 230KV (ELKCTY-6) 230/138/13.8KV TRANSFORMER CKT 1	287	316	0.11372	95.3	OKLAUNION - TUCO INTERCHANGE 345KV CKT 1
FDNS	06ALL	4	15SP	G13_027	TO->FROM	FLATRDG3 - THISTLE4 138.00 138KV CKT 1	286	286	0.0479	98.1	DBL-THIS-WIC
FDNS	06ALL	4	15G	G13_027	TO->FROM	FPL SWITCH - WOODWARD 138KV CKT 1	133	153	0.04558	161.139	NORTHWEST - TATONGA7 345.00 345KV CKT 1
FDNS	06ALL	4	15G	G13_027	TO->FROM	FPL SWITCH - WOODWARD 138KV CKT 1	133	153	0.05362	159.4606	DBL-THIS-WWR
FDNS	06ALL	4	15G	G13_027	TO->FROM	FPL SWITCH - WOODWARD 138KV CKT 1	133	153	0.04558	157.7752	SPSCONT-05B
FDNS	06ALL	4	15G	G13_027	TO->FROM	FPL SWITCH - WOODWARD 138KV CKT 1	133	153	0.04558	157.1729	SPSCONT-04
FDNS	06ALL	4	15G	G13_027	TO->FROM	FPL SWITCH - WOODWARD 138KV CKT 1	133	153	0.04303	154.0712	DBL-THIS-WIC
FDNS	06ALL	4	15G	G13_027	TO->FROM	FPL SWITCH - WOODWARD 138KV CKT 1	133	153	0.04687	152.6468	LAWTON EASTSIDE - OKLAUNION 345KV CKT 1
FDNS	06ALL	4	15G	G13_027	TO->FROM	FPL SWITCH - WOODWARD 138KV CKT 1	133	153	0.04558	147.5252	G11_051T 345.00 - TATONGA7 345.00 345KV CKT 1
FDNS	06ALL	4	15G	G13_027	TO->FROM	FPL SWITCH - WOODWARD 138KV CKT 1	133	153	0.04558	146.2378	G11_051T 345.00 - WOODWARD DISTRICT EHV 345KV CKT 1
FDNS	06ALL	4	15G	G13_027	TO->FROM	FPL SWITCH - WOODWARD 138KV CKT 1	133	153	0.0319	143.417	WOODWARD (WOODWRD2) 138/69/13.2KV TRANSFORMER CKT 1
FDNS	06ALL	4	15G	G13_027	TO->FROM	FPL SWITCH - WOODWARD 138KV CKT 1	133	153	0.04558	143.0315	SPSCONT-05AX
FDNS	06ALL	4	15G	G13_027	TO->FROM	FPL SWITCH - WOODWARD 138KV CKT 1	133	153	0.04178	142.1867	ELK CITY 230KV - SWEETWATER 230KV CKT 1
FDNS	06ALL	4	15G	G13_027	TO->FROM	FPL SWITCH - WOODWARD 138KV CKT 1	133	153	0.04178	142.1522	ELK CITY 230KV (ELKCTY-6) 230/138/13.8KV TRANSFORMER CKT 1
FDNS	06ALL	4	15G	G13_027	TO->FROM	FPL SWITCH - WOODWARD 138KV CKT 1	133	153	0.04687	141.5408	SPSCONT-01
FDNS	06ALL	4	15G	G13_027	TO->FROM	FPL SWITCH - WOODWARD 138KV CKT 1	133	153	0.042	139.7718	SPP-SWPS-03
FDNS	06ALL	4	15G	G13_027	TO->FROM	FPL SWITCH - WOODWARD 138KV CKT 1	133	153	0.04687	139.4068	OKLAUNION - TUCO INTERCHANGE 345KV CKT 1
FDNS	06ALL	4	15G	G13_027	TO->FROM	FPL SWITCH - WOODWARD 138KV CKT 1	133	153	0.04668	139.2189	SPP-SWPS-01
FDNS	06ALL	4	15G	G13_027	TO->FROM	FPL SWITCH - WOODWARD 138KV CKT 1	133	153	0.04178	138.5807	SPP-SWPS-02A
FDNS	06ALL	4	15G	G13_027	TO->FROM	FPL SWITCH - WOODWARD 138KV CKT 1	133	153	0.04178	138.419	GRAPEVINE INTERCHANGE - STATELINE INTERCHANGE 230KV CKT 1
FDNS	06ALL	4	15G	G13_027	TO->FROM	FPL SWITCH - WOODWARD 138KV CKT 1	133	153	0.03391	137.3554	IODINE - WOODWARD EHV 138KV CKT 1
FDNS	06ALL	4	15G	G13_027	TO->FROM	FPL SWITCH - WOODWARD 138KV CKT 1	133	153	0.03391	135.3142	DEWEY - IODINE 138KV CKT 1
FDNS	06ALL	4	15G	G13_027	TO->FROM	FPL SWITCH - WOODWARD 138KV CKT 1	133	153	0.04178	132.9488	STATELINE INTERCHANGE - STLN-DEMAR6 230KV CKT 1
FDNS	06ALL	4	15G	G13_027	TO->FROM	FPL SWITCH - WOODWARD 138KV CKT 1	133	153	0.04178	132.9455	SPP-SWPS-02
FDNS	06ALL	4	15G	G13_027	TO->FROM	FPL SWITCH - WOODWARD 138KV CKT 1	133	153	0.04178	132.9341	STLN-DEMAR6 - SWEETWATER 230KV CKT 1
FDNS	06ALL	4	15G	G13_027	TO->FROM	FPL SWITCH - WOODWARD 138KV CKT 1	133	153	0.03447	130.4008	GRAPEVINE INTERCHANGE - NICHOLS STATION 230KV CKT 1
FDNS	06ALL	4	15G	G13_027	TO->FROM	FPL SWITCH - WOODWARD 138KV CKT 1	133	153	0.0319	130.0269	WOODWARD - WOODWARD 69KV CKT 1
FDNS	06ALL	4	15G	G13_027	TO->FROM	FPL SWITCH - WOODWARD 138KV CKT 1	133	153	0.03466	126.1489	THISTLE7 345.00 - WOODWARD DISTRICT EHV 345KV CKT 1
FDNS	06ALL	4	15G	G13_027	TO->FROM	FPL SWITCH - WOODWARD 138KV CKT 1	133	153	0.03466	126.1489	THISTLE7 345.00 - WOODWARD DISTRICT EHV 345KV CKT 2
FDNS	06ALL	4	15G	G13_027	TO->FROM	FPL SWITCH - WOODWARD 138KV CKT 1	133	153	0.03419	124.4764	FINNEY SWITCHING STATION - HOLCOMB 345KV CKT 1
FDNS	06ALL	4	15G	G13_027	TO->FROM	FPL SWITCH - WOODWARD 138KV CKT 1	133	153	0.03174	124.1911	THISTLE7 345.00 - WICHITA 345KV CKT 1
FDNS	06ALL	4	15G	G13_027	TO->FROM	FPL SWITCH - WOODWARD 138KV CKT 1	133	153	0.03174	124.1911	THISTLE7 345.00 - WICHITA 345KV CKT 2
FDNS	06ALL	4	15G	G13_027	TO->FROM	FPL SWITCH - WOODWARD 138KV CKT 1	133	153	0.03419	123.2349	SPP-SWPS-05
FDNS	06ALL	4	15G	G13_027	TO->FROM	FPL SWITCH - WOODWARD 138KV CKT 1	133	153	0.03419	123.1767	FINNEY SWITCHING STATION - Hitchland Interchange 345KV CKT 1
FDNS	06ALL	4	15G	G13_027	TO->FROM	FPL SWITCH - WOODWARD 138KV CKT 1	133	153	0.03159	120.7359	ELLIS 4 138.00 - RED HILLS WIND 138KV CKT 1
FDNS	06ALL	4	15G	G13_027	TO->FROM	FPL SWITCH - WOODWARD 138KV CKT 1	133	153	0.03159	118.208	ELLIS 4 138.00 - MOREWOOD SW 138KV CKT 1
FDNS	06ALL	4	15SP	G13_027	TO->FROM	FPL SWITCH - WOODWARD 138KV CKT 1	133	153	0.05682	111.727	DBL-THIS-WWR
FDNS	06ALL	4	15G	G13_027	TO->FROM	FPL SWITCH - WOODWARD 138KV CKT 1	133	153	0.03159	106.2134	ELK CITY - RED HILLS WIND 138KV CKT 1
FDNS	06ALL	4	15SP	G13_027	TO->FROM	FPL SWITCH - WOODWARD 138KV CKT 1	133	153	0.04848	105.3474	NORTHWEST - TATONGA7 345.00 345KV CKT 1
FDNS	06ALL	4	15SP	G13_027	TO->FROM	FPL SWITCH - WOODWARD 138KV CKT 1	133	153	0.04982	104.7642	LAWTON EASTSIDE - OKLAUNION 345KV CKT 1
FDNS	06ALL	4	15SP	G13_027	TO->FROM	FPL SWITCH - WOODWARD 138KV CKT 1	133	153	0.04848	102.5806	SPSCONT-05B
FDNS	06ALL	4	15SP	G13_027	TO->FROM	FPL SWITCH - WOODWARD 138KV CKT 1	133	153	0.04848	101.4405	SPSCONT-04

SOLUTION	GROUP	SCENARIO	SEASON	SOURCE	DIRECTION	MONITORED ELEMENT	RATEA (MVA)	RATEB (MVA)	TDF	TC%LOADING (% MVA)	CONTINGENCY
FDNS	06ALL	4	15SP	G13_027	TO->FROM	FPL SWITCH - WOODWARD 138KV CKT 1	133	153	0.04592	100.7966	DBL-THIS-WIC
FDNS	06ALL	4	15SP	G13_027	TO->FROM	FPL SWITCH - WOODWARD 138KV CKT 1	133	153	0.03517	97.7	WOODWARD (WOODWRD2) 138/69/13.2KV TRANSFORMER CKT 1
FDNS	06ALL	4	20WP	G13_027	TO->FROM	FPL SWITCH - WOODWARD 138KV CKT 1	171	185	0.05156	96.7	NORTHWEST - TATONGA7 345.00 345KV CKT 1
FDNS	06ALL	4	20WP	G13_027	TO->FROM	FPL SWITCH - WOODWARD 138KV CKT 1	171	185	0.06072	96	DBL-THIS-WWR
FDNS	06ALL	4	15G	G13_027	TO->FROM	GRAPEVINE INTERCHANGE - NICHOLS STATION 230KV CKT 1	319	351	0.10216	104.2251	LAWTON EASTSIDE - OKLAUNION 345KV CKT 1
FDNS	06ALL	4	20WP	G13_027	TO->FROM	GRAPEVINE INTERCHANGE - NICHOLS STATION 230KV CKT 1	329	361	0.13265	102.6177	LAWTON EASTSIDE - OKLAUNION 345KV CKT 1
FDNS	06ALL	4	15SP	G13_027	TO->FROM	GRAPEVINE INTERCHANGE - NICHOLS STATION 230KV CKT 1	319	351	0.10365	99.55219	LAWTON EASTSIDE - OKLAUNION 345KV CKT 1
FDNS	06ALL	4	15G	G13_027	FROM->TO	GRAPEVINE INTERCHANGE - STATELINE INTERCHANGE 230KV CKT 1	319	351	0.11372	96.19302	LAWTON EASTSIDE - OKLAUNION 345KV CKT 1
FDNS	06ALL	4	15G	G13_027	FROM->TO	HARPER - MILAN TAP 138KV CKT 1	138	143	0.03304	116.387	DBL-THIS-WIC
FDNS	06ALL	4	15SP	G13_027	FROM->TO	HARPER - MILAN TAP 138KV CKT 1	127	136	0.03325	104.4151	DBL-THIS-WIC
FDNS	06ALL	4	15WP	G13_027	FROM->TO	HARPER - MILAN TAP 138KV CKT 1	143	143	0.03327	102.7046	DBL-THIS-WIC
FDNS	06ALL	4	15SP	G13_027	FROM->TO	PLANT X STATION (WH ALM20171) 230/115/13.2KV TRANSFORMER CKT 1	252	252	0.11975	106.8107	NEWHART 230 - PLANT X STATION 230KV CKT 1
FDNS	06ALL	4	15SP	G13_027	FROM->TO	PLANT X STATION (WH ALM20171) 230/115/13.2KV TRANSFORMER CKT 1	252	252	0.08672	104.6633	LAMB COUNTY INTERCHANGE - TOLK STATION WEST 230KV CKT 1
FDNS	06ALL	4	15SP	G13_027	FROM->TO	PLANT X STATION (WH ALM20171) 230/115/13.2KV TRANSFORMER CKT 1	252	252	0.08672	104.6607	LAMB COUNTY INTERCHANGE (WH ALM20172) 230/115/13.2KV TRANSFORMER CKT 1
FDNS	06ALL	4	15SP	G13_027	FROM->TO	PLANT X STATION (WH ALM20171) 230/115/13.2KV TRANSFORMER CKT 1	252	252	0.08672	104.6607	SPP-SWPS-K37
FDNS	06ALL	4	15SP	G13_027	FROM->TO	PLANT X STATION (WH ALM20171) 230/115/13.2KV TRANSFORMER CKT 1	252	252	0.11975	104.1177	NEWHART 230 - PLANT X STATION 230KV CKT 1
FDNS	06ALL	4	15SP	G13_027	FROM->TO	PLANT X STATION (WH ALM20171) 230/115/13.2KV TRANSFORMER CKT 1	252	252	0.10333	102.241	DEAF SMITH COUNTY INTERCHANGE - PLANT X STATION 230KV CKT 1
FDNS	06ALL	4	15SP	G13_027	FROM->TO	PLANT X STATION (WH ALM20171) 230/115/13.2KV TRANSFORMER CKT 1	252	252	0.08672	102.223	LAMB COUNTY INTERCHANGE - TOLK STATION WEST 230KV CKT 1
FDNS	06ALL	4	15SP	G13_027	FROM->TO	PLANT X STATION (WH ALM20171) 230/115/13.2KV TRANSFORMER CKT 1	252	252	0.08672	102.2204	LAMB COUNTY INTERCHANGE (WH ALM20172) 230/115/13.2KV TRANSFORMER CKT 1
FDNS	06ALL	4	15SP	G13_027	FROM->TO	PLANT X STATION (WH ALM20171) 230/115/13.2KV TRANSFORMER CKT 1	252	252	0.08672	102.2204	SPP-SWPS-K37
FDNS	06ALL	4	15SP	G13_027	FROM->TO	PLANT X STATION (WH ALM20171) 230/115/13.2KV TRANSFORMER CKT 1	252	252	0.10333	99.5	DEAF SMITH COUNTY INTERCHANGE - PLANT X STATION 230KV CKT 1
FDNS	06ALL	4	15SP	G13_027	FROM->TO	PLANT X STATION (WH ALM20171) 230/115/13.2KV TRANSFORMER CKT 1	252	252	0.07254	95.4	GEN525493 1-PLANT X GEN #3
FDNS	06ALL	4	15SP	G13_027	FROM->TO	YOAKUM COUNTY INTERCHANGE (PENN C010585) 230/115/13.2KV TRANSFORMER CKT 2	150	150	0.03005	100.7332	YOAKUM COUNTY INTERCHANGE (GE M100899) 230/115/13.2KV TRANSFORMER CKT 1
FDNS	06ALL	4	15SP	G13_027	FROM->TO	YOAKUM COUNTY INTERCHANGE (PENN C010585) 230/115/13.2KV TRANSFORMER CKT 2	150	150	0.03005	97.1	YOAKUM COUNTY INTERCHANGE (GE M100899) 230/115/13.2KV TRANSFORMER CKT 1
FDNS	06ALL	0	25SP	G14_033	TO->FROM	CARLSBAD INTERCHANGE - PECOS INTERCHANGE 115KV CKT 1	141	141	0.06602	116.6903	HOBBS - KIOWA 7345.00 345KV CKT 1
FDNS	06ALL	0	15SP	G14_033	FROM->TO	CHAVES COUNTY INTERCHANGE - SAMSON SUB 115KV CKT 1	120	154	0.16505	102.4226	CHAVES COUNTY INTERCHANGE - URTON SUB 115KV CKT 1
FDNS	06ALL	0	15SP	G14_033	FROM->TO	CHAVES COUNTY INTERCHANGE - URTON SUB 115KV CKT 1	159	160	0.16469	99.6	CHAVES COUNTY INTERCHANGE - SAMSON SUB 115KV CKT 1
FDNS	06ALL	0	15G	G14_033	FROM->TO	CLEARWATER - GILL ENERGY CENTER WEST 138KV CKT 1	143	143	0.03309	100.5453	DBL-THIS-WIC
FDNS	06ALL	0	15G	G14_033	TO->FROM	CLEARWATER - MILAN TAP 138KV CKT 1	110	110	0.03309	140.1877	DBL-THIS-WIC
FDNS	06ALL	0	20WP	G14_033	TO->FROM	CLEARWATER - MILAN TAP 138KV CKT 1	110	110	0.03307	108.6601	DBL-THIS-WIC
FDNS	06ALL	0	15WP	G14_033	TO->FROM	CLEARWATER - MILAN TAP 138KV CKT 1	110	110	0.03333	106.268	DBL-THIS-WIC
FDNS	06ALL	0	15SP	G14_033	TO->FROM	CLEARWATER - MILAN TAP 138KV CKT 1	110	110	0.03332	100.0707	DBL-THIS-WIC
FDNS	06ALL	0	15SP	G14_033	FROM->TO	CURRY COUNTY INTERCHANGE - DEAF SMITH REC-#20 115KV CKT 1	96	96	0.08152	123.5747	DEAF SMITH COUNTY INTERCHANGE - PLANT X STATION 230KV CKT 1
FDNS	06ALL	0	20SP	G14_033	FROM->TO	CURRY COUNTY INTERCHANGE - DEAF SMITH REC-#20 115KV CKT 1	96	96	0.06685	106.7874	DEAF SMITH COUNTY INTERCHANGE - PLANT X STATION 230KV CKT 1
FDNS	06ALL	0	15SP	G14_033	FROM->TO	CURRY COUNTY INTERCHANGE - DEAF SMITH REC-#20 115KV CKT 1	96	96	0.06525	105.8568	LAWTON EASTSIDE - OKLAUNION 345KV CKT 1
FDNS	06ALL	0	15SP	G14_033	FROM->TO	CURRY COUNTY INTERCHANGE - DEAF SMITH REC-#20 115KV CKT 1	96	96	0.06569	97.6	SPP-SWPS-01
FDNS	06ALL	0	15SP	G14_033	FROM->TO	CURRY COUNTY INTERCHANGE - DEAF SMITH REC-#20 115KV CKT 1	96	96	0.06525	97.3	SPSCONT-01
FDNS	06ALL	0	15SP	G14_033	FROM->TO	CURRY COUNTY INTERCHANGE - DEAF SMITH REC-#20 115KV CKT 1	96	96	0.06525	97.2	OKLAUNION - TUCO INTERCHANGE 345KV CKT 1
FDNS	06ALL	0	15SP	G14_033	FROM->TO	CURRY COUNTY INTERCHANGE - DEAF SMITH REC-#20 115KV CKT 1	96	96	0.0671	96.1	NEWHART 230 - PLANT X STATION 230KV CKT 1
FDNS	06ALL	0	25SP	G14_033	FROM->TO	CURRY COUNTY INTERCHANGE - DEAF SMITH REC-#20 115KV CKT 1	96	96	0.06727	95.6	DEAF SMITH COUNTY INTERCHANGE - PLANT X STATION 230KV CKT 1
FDNS	06ALL	0	15SP	G14_033	TO->FROM	DEAF SMITH COUNTY INTERCHANGE - PLANT X STATION 230KV CKT 1	319	351	0.18361	109.7585	LAWTON EASTSIDE - OKLAUNION 345KV CKT 1
FDNS	06ALL	0	15SP	G14_033	TO->FROM	DEAF SMITH COUNTY INTERCHANGE - PLANT X STATION 230KV CKT 1	319	351	0.20177	97.5	NEWHART 230 - PLANT X STATION 230KV CKT 1
FDNS	06ALL	0	15SP	G14_033	TO->FROM	DEAF SMITH COUNTY INTERCHANGE - PLANT X STATION 230KV CKT 1	319	351	0.18613	96.9	SPP-SWPS-01
FDNS	06ALL	0	15SP	G14_033	TO->FROM	DEAF SMITH COUNTY INTERCHANGE - PLANT X STATION 230KV CKT 1	319	351	0.18361	96.3	SPSCONT-01
FDNS	06ALL	0	15SP	G14_033	TO->FROM	DEAF SMITH COUNTY INTERCHANGE - PLANT X STATION 230KV CKT 1	319	351	0.18361	96.1	OKLAUNION - TUCO INTERCHANGE 345KV CKT 1
FDNS	06ALL	0	15SP	G14_033	FROM->TO	DEAF SMITH REC-#20 - PARMER COUNTY SUB 115KV CKT 1	96	96	0.08152	110.3575	DEAF SMITH COUNTY INTERCHANGE - PLANT X STATION 230KV CKT 1
FDNS	06ALL	0	15SP	G14_033	TO->FROM	DEAF SMITH REC-#24 - PARMER COUNTY SUB 115KV CKT 1	96	96	0.08152	102.2169	DEAF SMITH COUNTY INTERCHANGE - PLANT X STATION 230KV CKT 1
FDNS	06ALL	0	20WP	G14_033	FROM->TO	EDDY_NORTH 6230.00 (WAUK WT01134) 230/115/13.2KV TRANSFORMER CKT 2	250	288	0.14005	103.8218	EDDY COUNTY INTERCHANGE - EDDY_NORTH 6230.00 230KV CKT @1
FDNS	06ALL	0	20WP	G14_033	FROM->TO	EDDY_NORTH 6230.00 (WAUK WT01134) 230/115/13.2KV TRANSFORMER CKT 2	250	288	0.14005	103.4874	EDDY COUNTY INTERCHANGE - EDDY_NORTH 6230.00 230KV CKT @1
FDNS	06ALL	0	25SP	G14_033	FROM->TO	EDDY_NORTH 6230.00 (WAUK WT01134) 230/115/13.2KV TRANSFORMER CKT 2	250	288	0.14094	101.6045	EDDY COUNTY INTERCHANGE - EDDY_NORTH 6230.00 230KV CKT @1
FDNS	06ALL	0	25SP	G14_033	FROM->TO	EDDY_NORTH 6230.00 (WAUK WT01134) 230/115/13.2KV TRANSFORMER CKT 2	250	288	0.14094	100.6691	EDDY COUNTY INTERCHANGE - EDDY_NORTH 6230.00 230KV CKT @1
FDNS	06ALL	0	15WP	G14_033	FROM->TO	EDDY_NORTH 6230.00 (WAUK WT01134) 230/115/13.2KV TRANSFORMER CKT 2	250	288	0.08605	97.1	EDDY COUNTY INTERCHANGE - EDDY_NORTH 6230.00 230KV CKT @1
FDNS	06ALL	0	15WP	G14_033	FROM->TO	EDDY_NORTH 6230.00 (WAUK WT01134) 230/115/13.2KV TRANSFORMER CKT 2	250	288	0.08605	97.1	EDDY COUNTY INTERCHANGE - EDDY_NORTH 6230.00 230KV CKT @1
FDNS	06ALL	0	15G	G14_033	FROM->TO	ELK CITY 230KV (ELKCTY-6) 230/138/13.8KV TRANSFORMER CKT 1	287	316	0.11406	107.0627	LAWTON EASTSIDE - OKLAUNION 345KV CKT 1
FDNS	06ALL	0	15G	G14_033	FROM->TO	ELK CITY 230KV (ELKCTY-6) 230/138/13.8KV TRANSFORMER CKT 1	287	316	0.11406	105.2129	LAWTON EASTSIDE - OKLAUNION 345KV CKT 1
FDNS	06ALL	0	15SP	G14_033	FROM->TO	ELK CITY 230KV (ELKCTY-6) 230/138/13.8KV TRANSFORMER CKT 1	272	316	0.12218	100.158	LAWTON EASTSIDE - OKLAUNION 345KV CKT 1
FDNS	06ALL	0	15WP	G14_033	FROM->TO	ELK CITY 230KV (ELKCTY-6) 230/138/13.8KV TRANSFORMER CKT 1	287	316	0.12563	100.0101	LAWTON EASTSIDE - OKLAUNION 345KV CKT 1
FDNS	06ALL	0	15SP	G14_033	FROM->TO	ELK CITY 230KV (ELKCTY-6) 230/138/13.8KV TRANSFORMER CKT 1	272	316	0.12218	98.72061	LAWTON EASTSIDE - OKLAUNION 345KV CKT 1
FDNS	06ALL	0	15WP	G14_033	FROM->TO	ELK CITY 230KV (ELKCTY-6) 230/138/13.8KV TRANSFORMER CKT 1	287	316	0.12563	98.59541	LAWTON EASTSIDE - OKLAUNION 345KV CKT 1
FDNS	06ALL	0	15G	G14_033	FROM->TO	ELK CITY 230KV (ELKCTY-6) 230/138/13.8KV TRANSFORMER CKT 1	287	316	0.10181	98.1	DBL-G1114-WW
FDNS	06ALL	0	15G	G14_033	FROM->TO	ELK CITY 230KV (ELKCTY-6) 230/138/13.8KV TRANSFORMER CKT 1	287	316	0.11406	97.8	SPSCONT-01
FDNS	06ALL	0	15G	G14_033	FROM->TO	ELK CITY 230KV (ELKCTY-6) 230/138/13.8KV TRANSFORMER CKT 1	287	316	0.11577	97.7	SPP-SWPS-01
FDNS	06ALL	0	15G	G14_033	FROM->TO	ELK CITY 230KV (ELKCTY-6) 230/138/13.8KV TRANSFORMER CKT 1	287	316	0.10181	96.9	DBL-BVR-G111
FDNS	06ALL	0	15G	G14_033	FROM->TO	ELK CITY 230KV (ELKCTY-6) 230/138/13.8KV TRANSFORMER CKT 1	287	316	0.10181	96.8	DBL-G1114-WW
FDNS	06ALL	0	15G	G14_033	FROM->TO	ELK CITY 230KV (ELKCTY-6) 230/138/13.8KV TRANSFORMER CKT 1	287	316	0.11406	96.7	SPSCONT-01
FDNS	06ALL	0	15G	G14_033	FROM->TO	ELK CITY 230KV (ELKCTY-6) 230/138/13.8KV TRANSFORMER CKT 1	287	316	0.11577	96.6	SPP-SWPS-01
FDNS	06ALL	0	15G	G14_033	FROM->TO	ELK CITY 230KV (ELKCTY-6) 230/138/13.8KV TRANSFORMER CKT 1	287	316	0.11406	96.5	OKLAUNION - TUCO INTERCHANGE 345KV CKT 1
FDNS	06ALL	0	15G	G14_033	FROM->TO	ELK CITY 230KV (ELKCTY-6) 230/138/13.8KV TRANSFORMER CKT 1	287	316	0.10181	95.7	DBL-BVR-G111
FDNS	06ALL	0	15G	G14_033	FROM->TO	ELK CITY 230KV (ELKCTY-6) 230/138/13.8KV TRANSFORMER CKT 1	287	316	0.11406	95.3	OKLAUNION - TUCO INTERCHANGE 345KV CKT 1
FDNS	06ALL	0	15SP	G14_033	TO->FROM	FLATRDRG3 - THISTLE4 138.00 138KV CKT 1	286	286	0.04795	98.2	DBL-THIS-WIC
FDNS	06ALL	0	15G	G14_033	TO->FROM	FPL SWITCH - WOODWARD 138KV CKT 1	133	153	0.04553	161.177	NORTHWEST - TATONGA7 345.00 345KV CKT 1
FDNS	06ALL	0	15G	G14_033	TO->FROM	FPL SWITCH - WOODWARD 138KV CKT 1	133	153	0.05349	159.4244	DBL-THIS-WWR

SOLUTION	GROUP	SCENARIO	SEASON	SOURCE	DIRECTION	MONITORED ELEMENT	RATEA (MVA)	RATEB(MVA)	TC%LOADING TDF (% MVA)	CONTINGENCY	
FDNS	06ALL	0	15G	G14_033	TO->FROM	FPL SWITCH - WOODWARD 138KV CKT 1	133	153	0.04553	157.7992	SPSCONT-05B
FDNS	06ALL	0	15G	G14_033	TO->FROM	FPL SWITCH - WOODWARD 138KV CKT 1	133	153	0.04553	157.271	SPSCONT-04
FDNS	06ALL	0	15G	G14_033	TO->FROM	FPL SWITCH - WOODWARD 138KV CKT 1	133	153	0.04297	154.1519	DBL-THIS-WIC
FDNS	06ALL	0	15G	G14_033	TO->FROM	FPL SWITCH - WOODWARD 138KV CKT 1	133	153	0.04666	152.6111	LAWTON EASTSIDE - OKLAUNION 345KV CKT 1
FDNSLock	06ALL	0	15G	G14_033	TO->FROM	FPL SWITCH - WOODWARD 138KV CKT 1	133	153	0.04553	147.3779	G11_051T 345.00 - TATONGA7 345.00 345KV CKT 1
FDNS	06ALL	0	15G	G14_033	TO->FROM	FPL SWITCH - WOODWARD 138KV CKT 1	133	153	0.04553	146.4061	G11_051T 345.00 - WOODWARD DISTRICT EHV 345KV CKT 1
FDNS	06ALL	0	15G	G14_033	TO->FROM	FPL SWITCH - WOODWARD 138KV CKT 1	133	153	0.03181	143.416	WOODWARD (WOODWRD2) 138/69/13.2KV TRANSFORMER CKT 1
FDNS	06ALL	0	15G	G14_033	TO->FROM	FPL SWITCH - WOODWARD 138KV CKT 1	133	153	0.04553	143.1258	SPSCONT-05AX
FDNS	06ALL	0	15G	G14_033	TO->FROM	FPL SWITCH - WOODWARD 138KV CKT 1	133	153	0.04191	142.5155	ELK CITY 230KV - SWEETWATER 230KV CKT 1
FDNS	06ALL	0	15G	G14_033	TO->FROM	FPL SWITCH - WOODWARD 138KV CKT 1	133	153	0.04191	142.4842	ELK CITY 230KV (ELKCTY-6) 230/138/13.8KV TRANSFORMER CKT 1
FDNS	06ALL	0	15G	G14_033	TO->FROM	FPL SWITCH - WOODWARD 138KV CKT 1	133	153	0.04666	141.4059	SPSCONT-01
FDNS	06ALL	0	15G	G14_033	TO->FROM	FPL SWITCH - WOODWARD 138KV CKT 1	133	153	0.04213	140.0428	SPP-SWPS-03
FDNS	06ALL	0	15G	G14_033	TO->FROM	FPL SWITCH - WOODWARD 138KV CKT 1	133	153	0.04666	139.1883	OKLAUNION - TUCO INTERCHANGE 345KV CKT 1
FDNS	06ALL	0	15G	G14_033	TO->FROM	FPL SWITCH - WOODWARD 138KV CKT 1	133	153	0.04191	138.8333	SPP-SWPS-02A
FDNS	06ALL	0	15G	G14_033	TO->FROM	FPL SWITCH - WOODWARD 138KV CKT 1	133	153	0.04191	138.6923	GRAPEVINE INTERCHANGE - STATELINE INTERCHANGE 230KV CKT 1
FDNS	06ALL	0	15G	G14_033	TO->FROM	FPL SWITCH - WOODWARD 138KV CKT 1	133	153	0.04608	138.6877	SPP-SWPS-01
FDNS	06ALL	0	15G	G14_033	TO->FROM	FPL SWITCH - WOODWARD 138KV CKT 1	133	153	0.03383	137.3732	IODINE - WOODWARD EHV 138KV CKT 1
FDNS	06ALL	0	15G	G14_033	TO->FROM	FPL SWITCH - WOODWARD 138KV CKT 1	133	153	0.03383	135.335	DEWEY - IODINE 138KV CKT 1
FDNS	06ALL	0	15G	G14_033	TO->FROM	FPL SWITCH - WOODWARD 138KV CKT 1	133	153	0.04191	133.3058	STATELINE INTERCHANGE - STLN-DEMARC6 230KV CKT 1
FDNS	06ALL	0	15G	G14_033	TO->FROM	FPL SWITCH - WOODWARD 138KV CKT 1	133	153	0.04191	133.0811	SPP-SWPS-02
FDNS	06ALL	0	15G	G14_033	TO->FROM	FPL SWITCH - WOODWARD 138KV CKT 1	133	153	0.04191	133.0154	STLN-DEMARC6 - SWEETWATER 230KV CKT 1
FDNS	06ALL	0	15G	G14_033	TO->FROM	FPL SWITCH - WOODWARD 138KV CKT 1	133	153	0.03448	130.54	GRAPEVINE INTERCHANGE - NICHOLS STATION 230KV CKT 1
FDNS	06ALL	0	15G	G14_033	TO->FROM	FPL SWITCH - WOODWARD 138KV CKT 1	133	153	0.03181	130.0405	WOODWARD - WOODWARD 69KV CKT 1
FDNS	06ALL	0	15G	G14_033	TO->FROM	FPL SWITCH - WOODWARD 138KV CKT 1	133	153	0.03456	126.126	THISTLE7 345.00 - WOODWARD DISTRICT EHV 345KV CKT 1
FDNS	06ALL	0	15G	G14_033	TO->FROM	FPL SWITCH - WOODWARD 138KV CKT 1	133	153	0.03456	126.126	THISTLE7 345.00 - WOODWARD DISTRICT EHV 345KV CKT 2
FDNS	06ALL	0	15G	G14_033	TO->FROM	FPL SWITCH - WOODWARD 138KV CKT 1	133	153	0.03415	124.5649	FINNEY SWITCHING STATION - HOLCOMB 345KV CKT 1
FDNS	06ALL	0	15G	G14_033	TO->FROM	FPL SWITCH - WOODWARD 138KV CKT 1	133	153	0.03166	124.1871	THISTLE7 345.00 - WICHITA 345KV CKT 1
FDNS	06ALL	0	15G	G14_033	TO->FROM	FPL SWITCH - WOODWARD 138KV CKT 1	133	153	0.03166	124.1871	THISTLE7 345.00 - WICHITA 345KV CKT 2
FDNS	06ALL	0	15G	G14_033	TO->FROM	FPL SWITCH - WOODWARD 138KV CKT 1	133	153	0.03415	123.3196	SPP-SWPS-05
FDNS	06ALL	0	15G	G14_033	TO->FROM	FPL SWITCH - WOODWARD 138KV CKT 1	133	153	0.03415	123.2614	FINNEY SWITCHING STATION - Hitchland Interchange 345KV CKT 1
FDNS	06ALL	0	15G	G14_033	TO->FROM	FPL SWITCH - WOODWARD 138KV CKT 1	133	153	0.03156	120.7972	ELLIS 4 138.00 - RED HILLS WIND 138KV CKT 1
FDNS	06ALL	0	15G	G14_033	TO->FROM	FPL SWITCH - WOODWARD 138KV CKT 1	133	153	0.03156	118.2357	ELLIS 4 138.00 - MOREWOOD SW 138KV CKT 1
FDNS	06ALL	0	15SP	G14_033	TO->FROM	FPL SWITCH - WOODWARD 138KV CKT 1	133	153	0.0567	111.3808	DBL-THIS-WWR
FDNSLock	06ALL	0	15G	G14_033	TO->FROM	FPL SWITCH - WOODWARD 138KV CKT 1	133	153	0.03156	105.8896	ELK CITY - RED HILLS WIND 138KV CKT 1
FDNS	06ALL	0	15SP	G14_033	TO->FROM	FPL SWITCH - WOODWARD 138KV CKT 1	133	153	0.04844	105.3952	NORTHWEST - TATONGA7 345.00 345KV CKT 1
FDNS	06ALL	0	15SP	G14_033	TO->FROM	FPL SWITCH - WOODWARD 138KV CKT 1	133	153	0.04963	104.8311	LAWTON EASTSIDE - OKLAUNION 345KV CKT 1
FDNS	06ALL	0	15SP	G14_033	TO->FROM	FPL SWITCH - WOODWARD 138KV CKT 1	133	153	0.04844	102.6277	SPSCONT-05B
FDNS	06ALL	0	15SP	G14_033	TO->FROM	FPL SWITCH - WOODWARD 138KV CKT 1	133	153	0.04844	101.4863	SPSCONT-04
FDNS	06ALL	0	15SP	G14_033	TO->FROM	FPL SWITCH - WOODWARD 138KV CKT 1	133	153	0.04587	100.8287	DBL-THIS-WIC
FDNS	06ALL	0	15SP	G14_033	TO->FROM	FPL SWITCH - WOODWARD 138KV CKT 1	133	153	0.03508	97.7	WOODWARD (WOODWRD2) 138/69/13.2KV TRANSFORMER CKT 1
FDNS	06ALL	0	20WP	G14_033	TO->FROM	FPL SWITCH - WOODWARD 138KV CKT 1	171	185	0.05133	96.8	NORTHWEST - TATONGA7 345.00 345KV CKT 1
FDNS	06ALL	0	20WP	G14_033	TO->FROM	FPL SWITCH - WOODWARD 138KV CKT 1	171	185	0.06057	96	DBL-THIS-WWR
FDNS	06ALL	0	15G	G14_033	TO->FROM	GRAPEVINE INTERCHANGE - NICHOLS STATION 230KV CKT 1	319	351	0.10244	104.4035	LAWTON EASTSIDE - OKLAUNION 345KV CKT 1
FDNS	06ALL	0	20WP	G14_033	TO->FROM	GRAPEVINE INTERCHANGE - NICHOLS STATION 230KV CKT 1	329	361	0.13132	102.8268	LAWTON EASTSIDE - OKLAUNION 345KV CKT 1
FDNS	06ALL	0	15SP	G14_033	TO->FROM	GRAPEVINE INTERCHANGE - NICHOLS STATION 230KV CKT 1	319	351	0.10399	99.65252	LAWTON EASTSIDE - OKLAUNION 345KV CKT 1
FDNS	06ALL	0	15G	G14_033	FROM->TO	GRAPEVINE INTERCHANGE - STATELINE INTERCHANGE 230KV CKT 1	319	351	0.11406	96.46441	LAWTON EASTSIDE - OKLAUNION 345KV CKT 1
FDNS	06ALL	0	15G	G14_033	FROM->TO	HARPER - MILAN TAP 138KV CKT 1	138	143	0.03309	116.5991	DBL-THIS-WIC
FDNS	06ALL	0	15SP	G14_033	FROM->TO	HARPER - MILAN TAP 138KV CKT 1	127	136	0.03332	104.5127	DBL-THIS-WIC
FDNS	06ALL	0	15WP	G14_033	FROM->TO	HARPER - MILAN TAP 138KV CKT 1	143	143	0.03333	102.8215	DBL-THIS-WIC
FDNS	06ALL	0	15G	G14_033	TO->FROM	PLANT X STATION - TOLK STATION EAST 230KV CKT 2	478	502	0.05097	108.0605	SPP-SWPS-06
FDNS	06ALL	0	15WP	G14_033	TO->FROM	PLANT X STATION - TOLK STATION EAST 230KV CKT 2	557	557	0.36055	99.8	PLANT X STATION - TOLK STATION WEST 230KV CKT 1
FDNS	06ALL	0	20SP	G14_033	TO->FROM	PLANT X STATION - TOLK STATION EAST 230KV CKT 2	478	502	0.29787	96.1	PLANT X STATION - TOLK STATION WEST 230KV CKT 1
FDNS	06ALL	0	20SP	G14_033	TO->FROM	PLANT X STATION - TOLK STATION WEST 230KV CKT 1	478	502	0.30062	96.8	PLANT X STATION - TOLK STATION EAST 230KV CKT 2
FDNS	06ALL	0	15SP	G14_033	FROM->TO	PLANT X STATION (WH ALM20171) 230/115/13.2KV TRANSFORMER CKT 1	252	252	0.10825	106.868	NEWHART 230 - PLANT X STATION 230KV CKT 1
FDNS	06ALL	0	15SP	G14_033	FROM->TO	PLANT X STATION (WH ALM20171) 230/115/13.2KV TRANSFORMER CKT 1	252	252	0.07352	104.7391	SPP-SWPS-K37
FDNS	06ALL	0	15SP	G14_033	FROM->TO	PLANT X STATION (WH ALM20171) 230/115/13.2KV TRANSFORMER CKT 1	252	252	0.07352	104.739	LAMB COUNTY INTERCHANGE (WH ALM20172) 230/115/13.2KV TRANSFORMER CKT 1
FDNS	06ALL	0	15SP	G14_033	FROM->TO	PLANT X STATION (WH ALM20171) 230/115/13.2KV TRANSFORMER CKT 1	252	252	0.07352	104.7164	LAMB COUNTY INTERCHANGE - TOLK STATION WEST 230KV CKT 1
FDNS	06ALL	0	15SP	G14_033	FROM->TO	PLANT X STATION (WH ALM20171) 230/115/13.2KV TRANSFORMER CKT 1	252	252	0.10825	104.1846	NEWHART 230 - PLANT X STATION 230KV CKT 1
FDNS	06ALL	0	15SP	G14_033	FROM->TO	PLANT X STATION (WH ALM20171) 230/115/13.2KV TRANSFORMER CKT 1	252	252	0.09193	102.4562	DEAF SMITH COUNTY INTERCHANGE - PLANT X STATION 230KV CKT 1
FDNS	06ALL	0	15SP	G14_033	FROM->TO	PLANT X STATION (WH ALM20171) 230/115/13.2KV TRANSFORMER CKT 1	252	252	0.07352	102.3057	SPP-SWPS-K37
FDNS	06ALL	0	15SP	G14_033	FROM->TO	PLANT X STATION (WH ALM20171) 230/115/13.2KV TRANSFORMER CKT 1	252	252	0.07352	102.3056	LAMB COUNTY INTERCHANGE (WH ALM20172) 230/115/13.2KV TRANSFORMER CKT 1
FDNS	06ALL	0	15SP	G14_033	FROM->TO	PLANT X STATION (WH ALM20171) 230/115/13.2KV TRANSFORMER CKT 1	252	252	0.07352	102.2824	LAMB COUNTY INTERCHANGE - TOLK STATION WEST 230KV CKT 1
FDNS	06ALL	0	15SP	G14_033	FROM->TO	PLANT X STATION (WH ALM20171) 230/115/13.2KV TRANSFORMER CKT 1	252	252	0.09193	99.7	DEAF SMITH COUNTY INTERCHANGE - PLANT X STATION 230KV CKT 1
FDNS	06ALL	0	15SP	G14_033	FROM->TO	PLANT X STATION (WH ALM20171) 230/115/13.2KV TRANSFORMER CKT 1	252	252	0.06402	95.5	GEN525493 1-PLANT X GEN #3
FDNS	06ALL	0	15G	G14_033	FROM->TO	POTASH JUNCTION INTERCHANGE (GE M100747) 230/115/13.2KV TRANSFORMER CKT 1	150	150	0.04472	99.9	CARLSBAD INTERCHANGE - PECOS INTERCHANGE 115KV CKT 1
FDNS	06ALL	0	15G	G14_033	FROM->TO	POTASH JUNCTION INTERCHANGE (GE M100747) 230/115/13.2KV TRANSFORMER CKT 1	150	150	0.04472	96	CARLSBAD INTERCHANGE - PECOS INTERCHANGE 115KV CKT 1
FDNS	06ALL	0	20WP	G14_033	FROM->TO	TUCO INTERCHANGE (GE M1022338) 345/230/13.2KV TRANSFORMER CKT 1	560	560	0.19479	106.7638	TUCO INTERCHANGE (SIEM 8743066) 345/230/13.2KV TRANSFORMER CKT 2
FDNS	06ALL	0	20WP	G14_033	FROM->TO	TUCO INTERCHANGE (GE M1022338) 345/230/13.2KV TRANSFORMER CKT 1	560	560	0.19479	104.8093	TUCO INTERCHANGE (SIEM 8743066) 345/230/13.2KV TRANSFORMER CKT 2
FDNS	06ALL	2	25SP	G14_033	TO->FROM	CARLSBAD INTERCHANGE - PECOS INTERCHANGE 115KV CKT 1	141	141	0.06588	116.6872	HOBBS - KIOWA 7345.00 345KV CKT 1
FDNS	06ALL	2	15SP	G14_033	FROM->TO	CHAVES COUNTY INTERCHANGE - SAMSON SUB 115KV CKT 1	120	154	0.16506	102.4266	CHAVES COUNTY INTERCHANGE - URTON SUB 115KV CKT 1
FDNS	06ALL	2	15SP	G14_033	FROM->TO	CHAVES COUNTY INTERCHANGE - URTON SUB 115KV CKT 1	159	160	0.1647	99.6	CHAVES COUNTY INTERCHANGE - SAMSON SUB 115KV CKT 1
FDNS	06ALL	2	15G	G14_033	FROM->TO	CLEARWATER - GILL ENERGY CENTER WEST 138KV CKT 1	143	143	0.03297	100.3876	DBL-THIS-WIC

SOLUTION	GROUP	SCENARIO	SEASON	SOURCE	DIRECTION	MONITORED ELEMENT	RATEA (MVA)	RATEB (MVA)	TDF	TC%LOADING (% MVA)	CONTINGENCY
FDNS	06ALL	2	15G	G14_033	TO->FROM	CLEARWATER - MILAN TAP 138KV CKT 1	110	110	0.03297	139.9774	DBL-THIS-WIC
FDNS	06ALL	2	20WP	G14_033	TO->FROM	CLEARWATER - MILAN TAP 138KV CKT 1	110	110	0.03303	108.5614	DBL-THIS-WIC
FDNS	06ALL	2	15WP	G14_033	TO->FROM	CLEARWATER - MILAN TAP 138KV CKT 1	110	110	0.03322	106.1489	DBL-THIS-WIC
FDNS	06ALL	2	15SP	G14_033	TO->FROM	CLEARWATER - MILAN TAP 138KV CKT 1	110	110	0.03321	100	DBL-THIS-WIC
FDNS	06ALL	2	15SP	G14_033	FROM->TO	CURRY COUNTY INTERCHANGE - DEAF SMITH REC-#20 115KV CKT 1	96	96	0.08115	123.1635	DEAF SMITH COUNTY INTERCHANGE - PLANT X STATION 230KV CKT 1
FDNS	06ALL	2	20SP	G14_033	FROM->TO	CURRY COUNTY INTERCHANGE - DEAF SMITH REC-#20 115KV CKT 1	96	96	0.06681	106.7095	DEAF SMITH COUNTY INTERCHANGE - PLANT X STATION 230KV CKT 1
FDNS	06ALL	2	15SP	G14_033	FROM->TO	CURRY COUNTY INTERCHANGE - DEAF SMITH REC-#20 115KV CKT 1	96	96	0.06519	105.7855	LAWTON EASTSIDE - OKLAUNION 345KV CKT 1
FDNS	06ALL	2	15SP	G14_033	FROM->TO	CURRY COUNTY INTERCHANGE - DEAF SMITH REC-#20 115KV CKT 1	96	96	0.06539	97.4	SPP-SWPS-01
FDNS	06ALL	2	15SP	G14_033	FROM->TO	CURRY COUNTY INTERCHANGE - DEAF SMITH REC-#20 115KV CKT 1	96	96	0.06519	97.2	SPSCONT-01
FDNS	06ALL	2	15SP	G14_033	FROM->TO	CURRY COUNTY INTERCHANGE - DEAF SMITH REC-#20 115KV CKT 1	96	96	0.06519	97.1	OKLAUNION - TUCO INTERCHANGE 345KV CKT 1
FDNS	06ALL	2	15SP	G14_033	FROM->TO	CURRY COUNTY INTERCHANGE - DEAF SMITH REC-#20 115KV CKT 1	96	96	0.06695	95.9	NEWHART 230 - PLANT X STATION 230KV CKT 1
FDNS	06ALL	2	25SP	G14_033	FROM->TO	CURRY COUNTY INTERCHANGE - DEAF SMITH REC-#20 115KV CKT 1	96	96	0.06722	95.5	DEAF SMITH COUNTY INTERCHANGE - PLANT X STATION 230KV CKT 1
FDNS	06ALL	2	15SP	G14_033	TO->FROM	DEAF SMITH COUNTY INTERCHANGE - PLANT X STATION 230KV CKT 1	319	351	0.18314	109.6348	LAWTON EASTSIDE - OKLAUNION 345KV CKT 1
FDNS	06ALL	2	15SP	G14_033	TO->FROM	DEAF SMITH COUNTY INTERCHANGE - PLANT X STATION 230KV CKT 1	319	351	0.20074	97.1	NEWHART 230 - PLANT X STATION 230KV CKT 1
FDNS	06ALL	2	15SP	G14_033	TO->FROM	DEAF SMITH COUNTY INTERCHANGE - PLANT X STATION 230KV CKT 1	319	351	0.18425	96.4	SPP-SWPS-01
FDNS	06ALL	2	15SP	G14_033	TO->FROM	DEAF SMITH COUNTY INTERCHANGE - PLANT X STATION 230KV CKT 1	319	351	0.18314	96.1	SPSCONT-01
FDNS	06ALL	2	15SP	G14_033	TO->FROM	DEAF SMITH COUNTY INTERCHANGE - PLANT X STATION 230KV CKT 1	319	351	0.18314	96	OKLAUNION - TUCO INTERCHANGE 345KV CKT 1
FDNS	06ALL	2	15SP	G14_033	FROM->TO	DEAF SMITH REC-#20 - PARMER COUNTY SUB 115KV CKT 1	96	96	0.08115	109.9541	DEAF SMITH COUNTY INTERCHANGE - PLANT X STATION 230KV CKT 1
FDNS	06ALL	2	15SP	G14_033	TO->FROM	DEAF SMITH REC-#24 - PARMER COUNTY SUB 115KV CKT 1	96	96	0.08115	101.8097	DEAF SMITH COUNTY INTERCHANGE - PLANT X STATION 230KV CKT 1
FDNS	06ALL	2	20WP	G14_033	FROM->TO	EDDY_NORTH 6230.00 (WAUK WT01134) 230/115/13.2KV TRANSFORMER CKT 2	250	288	0.13936	103.1673	EDDY COUNTY INTERCHANGE - EDDY_NORTH 6230.00 230KV CKT @1
FDNS	06ALL	2	20WP	G14_033	FROM->TO	EDDY_NORTH 6230.00 (WAUK WT01134) 230/115/13.2KV TRANSFORMER CKT 2	250	288	0.13936	102.8177	EDDY COUNTY INTERCHANGE - EDDY_NORTH 6230.00 230KV CKT @1
FDNS	06ALL	2	25SP	G14_033	FROM->TO	EDDY_NORTH 6230.00 (WAUK WT01134) 230/115/13.2KV TRANSFORMER CKT 2	250	288	0.14024	101.5495	EDDY COUNTY INTERCHANGE - EDDY_NORTH 6230.00 230KV CKT @1
FDNS	06ALL	2	25SP	G14_033	FROM->TO	EDDY_NORTH 6230.00 (WAUK WT01134) 230/115/13.2KV TRANSFORMER CKT 2	250	288	0.14024	100	EDDY COUNTY INTERCHANGE - EDDY_NORTH 6230.00 230KV CKT @1
FDNS	06ALL	2	15WP	G14_033	FROM->TO	EDDY_NORTH 6230.00 (WAUK WT01134) 230/115/13.2KV TRANSFORMER CKT 2	250	288	0.08609	97.1	EDDY COUNTY INTERCHANGE - EDDY_NORTH 6230.00 230KV CKT @1
FDNS	06ALL	2	15WP	G14_033	FROM->TO	EDDY_NORTH 6230.00 (WAUK WT01134) 230/115/13.2KV TRANSFORMER CKT 2	250	288	0.08609	97.1	EDDY COUNTY INTERCHANGE - EDDY_NORTH 6230.00 230KV CKT @1
FDNS	06ALL	2	15G	G14_033	FROM->TO	ELK CITY 230KV (ELKCTY-6) 230/138/13.8KV TRANSFORMER CKT 1	287	316	0.11345	106.8055	LAWTON EASTSIDE - OKLAUNION 345KV CKT 1
FDNS	06ALL	2	15G	G14_033	FROM->TO	ELK CITY 230KV (ELKCTY-6) 230/138/13.8KV TRANSFORMER CKT 1	287	316	0.11345	104.9756	LAWTON EASTSIDE - OKLAUNION 345KV CKT 1
FDNS	06ALL	2	15SP	G14_033	FROM->TO	ELK CITY 230KV (ELKCTY-6) 230/138/13.8KV TRANSFORMER CKT 1	272	316	0.12154	100.0284	LAWTON EASTSIDE - OKLAUNION 345KV CKT 1
FDNS	06ALL	2	15WP	G14_033	FROM->TO	ELK CITY 230KV (ELKCTY-6) 230/138/13.8KV TRANSFORMER CKT 1	287	316	0.12497	99.83074	LAWTON EASTSIDE - OKLAUNION 345KV CKT 1
FDNS	06ALL	2	15SP	G14_033	FROM->TO	ELK CITY 230KV (ELKCTY-6) 230/138/13.8KV TRANSFORMER CKT 1	272	316	0.12154	98.59394	LAWTON EASTSIDE - OKLAUNION 345KV CKT 1
FDNS	06ALL	2	15WP	G14_033	FROM->TO	ELK CITY 230KV (ELKCTY-6) 230/138/13.8KV TRANSFORMER CKT 1	287	316	0.12497	98.42802	LAWTON EASTSIDE - OKLAUNION 345KV CKT 1
FDNS	06ALL	2	15G	G14_033	FROM->TO	ELK CITY 230KV (ELKCTY-6) 230/138/13.8KV TRANSFORMER CKT 1	287	316	0.11345	97.6	SPSCONT-01
FDNS	06ALL	2	15G	G14_033	FROM->TO	ELK CITY 230KV (ELKCTY-6) 230/138/13.8KV TRANSFORMER CKT 1	287	316	0.09945	96.8	DBL-G1114-WW
FDNS	06ALL	2	15G	G14_033	FROM->TO	ELK CITY 230KV (ELKCTY-6) 230/138/13.8KV TRANSFORMER CKT 1	287	316	0.11404	96.7	SPP-SWPS-01
FDNS	06ALL	2	15G	G14_033	FROM->TO	ELK CITY 230KV (ELKCTY-6) 230/138/13.8KV TRANSFORMER CKT 1	287	316	0.11345	96.5	SPSCONT-01
FDNS	06ALL	2	15G	G14_033	FROM->TO	ELK CITY 230KV (ELKCTY-6) 230/138/13.8KV TRANSFORMER CKT 1	287	316	0.11345	96.2	OKLAUNION - TUCO INTERCHANGE 345KV CKT 1
FDNS	06ALL	2	15G	G14_033	FROM->TO	ELK CITY 230KV (ELKCTY-6) 230/138/13.8KV TRANSFORMER CKT 1	287	316	0.11404	95.7	SPP-SWPS-01
FDNS	06ALL	2	15G	G14_033	FROM->TO	ELK CITY 230KV (ELKCTY-6) 230/138/13.8KV TRANSFORMER CKT 1	287	316	0.09945	95.6	DBL-G1114-WW
FDNS	06ALL	2	15G	G14_033	FROM->TO	ELK CITY 230KV (ELKCTY-6) 230/138/13.8KV TRANSFORMER CKT 1	287	316	0.09945	95.5	DBL-BVR-G111
FDNS	06ALL	2	15G	G14_033	FROM->TO	ELK CITY 230KV (ELKCTY-6) 230/138/13.8KV TRANSFORMER CKT 1	287	316	0.11345	95.1	OKLAUNION - TUCO INTERCHANGE 345KV CKT 1
FDNS	06ALL	2	15SP	G14_033	TO->FROM	FLATRDG3 - THISTLE4 138.00 138KV CKT 1	286	286	0.04785	98.1	DBL-THIS-WIC
FDNS	06ALL	2	15G	G14_033	TO->FROM	FPL SWITCH - WOODWARD 138KV CKT 1	133	153	0.0455	161.0764	NORTHWEST - TATONGA7 345.00 345KV CKT 1
FDNS	06ALL	2	15G	G14_033	TO->FROM	FPL SWITCH - WOODWARD 138KV CKT 1	133	153	0.05355	159.4718	DBL-THIS-WWR
FDNS	06ALL	2	15G	G14_033	TO->FROM	FPL SWITCH - WOODWARD 138KV CKT 1	133	153	0.0455	157.784	SPSCONT-05B
FDNS	06ALL	2	15G	G14_033	TO->FROM	FPL SWITCH - WOODWARD 138KV CKT 1	133	153	0.0455	157.1004	SPSCONT-04
FDNS	06ALL	2	15G	G14_033	TO->FROM	FPL SWITCH - WOODWARD 138KV CKT 1	133	153	0.04297	154.0923	DBL-THIS-WIC
FDNS	06ALL	2	15G	G14_033	TO->FROM	FPL SWITCH - WOODWARD 138KV CKT 1	133	153	0.04686	152.7189	LAWTON EASTSIDE - OKLAUNION 345KV CKT 1
FDNS	06ALL	2	15G	G14_033	TO->FROM	FPL SWITCH - WOODWARD 138KV CKT 1	133	153	0.0455	147.5378	G11_051T 345.00 - TATONGA7 345.00 345KV CKT 1
FDNS	06ALL	2	15G	G14_033	TO->FROM	FPL SWITCH - WOODWARD 138KV CKT 1	133	153	0.0455	146.3224	G11_051T 345.00 - WOODWARD DISTRICT EHV 345KV CKT 1
FDNS	06ALL	2	15G	G14_033	TO->FROM	FPL SWITCH - WOODWARD 138KV CKT 1	133	153	0.03185	143.4813	WOODWARD (WOODWRD2) 138/69/13.2KV TRANSFORMER CKT 1
FDNS	06ALL	2	15G	G14_033	TO->FROM	FPL SWITCH - WOODWARD 138KV CKT 1	133	153	0.0455	143.1119	SPSCONT-05AX
FDNS	06ALL	2	15G	G14_033	TO->FROM	FPL SWITCH - WOODWARD 138KV CKT 1	133	153	0.04168	142.197	ELK CITY 230KV - SWEETWATER 230KV CKT 1
FDNS	06ALL	2	15G	G14_033	TO->FROM	FPL SWITCH - WOODWARD 138KV CKT 1	133	153	0.04168	142.1652	ELK CITY 230KV (ELKCTY-6) 230/138/13.8KV TRANSFORMER CKT 1
FDNS	06ALL	2	15G	G14_033	TO->FROM	FPL SWITCH - WOODWARD 138KV CKT 1	133	153	0.04686	141.5791	SPSCONT-01
FDNS	06ALL	2	15G	G14_033	TO->FROM	FPL SWITCH - WOODWARD 138KV CKT 1	133	153	0.0419	139.7583	SPP-SWPS-03
FDNS	06ALL	2	15G	G14_033	TO->FROM	FPL SWITCH - WOODWARD 138KV CKT 1	133	153	0.04686	139.3711	OKLAUNION - TUCO INTERCHANGE 345KV CKT 1
FDNS	06ALL	2	15G	G14_033	TO->FROM	FPL SWITCH - WOODWARD 138KV CKT 1	133	153	0.04667	139.1429	SPP-SWPS-01
FDNS	06ALL	2	15G	G14_033	TO->FROM	FPL SWITCH - WOODWARD 138KV CKT 1	133	153	0.04168	138.6541	SPP-SWPS-02A
FDNS	06ALL	2	15G	G14_033	TO->FROM	FPL SWITCH - WOODWARD 138KV CKT 1	133	153	0.04168	138.3635	GRAPEVINE INTERCHANGE - STATELINE INTERCHANGE 230KV CKT 1
FDNSLock	06ALL	2	15G	G14_033	TO->FROM	FPL SWITCH - WOODWARD 138KV CKT 1	133	153	0.03386	137.0502	IODINE - WOODWARD EHV 138KV CKT 1
FDNS	06ALL	2	15G	G14_033	TO->FROM	FPL SWITCH - WOODWARD 138KV CKT 1	133	153	0.03386	135.4149	DEWEY - IODINE 138KV CKT 1
FDNS	06ALL	2	15G	G14_033	TO->FROM	FPL SWITCH - WOODWARD 138KV CKT 1	133	153	0.04168	132.7991	STATELINE INTERCHANGE - STLN-DEMARC6 230KV CKT 1
FDNS	06ALL	2	15G	G14_033	TO->FROM	FPL SWITCH - WOODWARD 138KV CKT 1	133	153	0.04168	132.7953	SPP-SWPS-02
FDNS	06ALL	2	15G	G14_033	TO->FROM	FPL SWITCH - WOODWARD 138KV CKT 1	133	153	0.04168	132.7834	STLN-DEMARC6 - SWEETWATER 230KV CKT 1
FDNS	06ALL	2	15G	G14_033	TO->FROM	FPL SWITCH - WOODWARD 138KV CKT 1	133	153	0.0344	130.4683	GRAPEVINE INTERCHANGE - NICHOLS STATION 230KV CKT 1
FDNS	06ALL	2	15G	G14_033	TO->FROM	FPL SWITCH - WOODWARD 138KV CKT 1	133	153	0.03185	130.1106	WOODWARD - WOODWARD 69KV CKT 1
FDNS	06ALL	2	15G	G14_033	TO->FROM	FPL SWITCH - WOODWARD 138KV CKT 1	133	153	0.03461	126.1934	THISTLE7 345.00 - WOODWARD DISTRICT EHV 345KV CKT 1
FDNS	06ALL	2	15G	G14_033	TO->FROM	FPL SWITCH - WOODWARD 138KV CKT 1	133	153	0.03461	126.1934	THISTLE7 345.00 - WOODWARD DISTRICT EHV 345KV CKT 2
FDNS	06ALL	2	15G	G14_033	TO->FROM	FPL SWITCH - WOODWARD 138KV CKT 1	133	153	0.03413	124.5364	FINNEY SWITCHING STATION - HOLCOMB 345KV CKT 1
FDNS	06ALL	2	15G	G14_033	TO->FROM	FPL SWITCH - WOODWARD 138KV CKT 1	133	153	0.0317	124.2225	THISTLE7 345.00 - WICHITA 345KV CKT 1
FDNS	06ALL	2	15G	G14_033	TO->FROM	FPL SWITCH - WOODWARD 138KV CKT 1	133	153	0.0317	124.2225	THISTLE7 345.00 - WICHITA 345KV CKT 2
FDNS	06ALL	2	15G	G14_033	TO->FROM	FPL SWITCH - WOODWARD 138KV CKT 1	133	153	0.03413	123.294	SPP-SWPS-05

SOLUTION	GROUP	SCENARIO	SEASON	SOURCE	DIRECTION	MONITORED ELEMENT	RATEA (MVA)	RATEB(MVA)	TC%LOADING TDF (% MVA)	CONTINGENCY	
FDNS	06ALL	2	15G	G14_033	TO->FROM	FPL SWITCH - WOODWARD 138KV CKT 1	133	153	0.03413	123.2358	FINNEY SWITCHING STATION - Hitchland Interchange 345KV CKT 1
FDNS	06ALL	2	15G	G14_033	TO->FROM	FPL SWITCH - WOODWARD 138KV CKT 1	133	153	0.03154	120.7881	ELLIS 4 138.00 - RED HILLS WIND 138KV CKT 1
FDNS	06ALL	2	15G	G14_033	TO->FROM	FPL SWITCH - WOODWARD 138KV CKT 1	133	153	0.03154	118.2424	ELLIS 4 138.00 - MOREWOOD SW 138KV CKT 1
FDNS	06ALL	2	15SP	G14_033	TO->FROM	FPL SWITCH - WOODWARD 138KV CKT 1	133	153	0.05678	111.8037	DBL-THIS-WWR
FDNS	06ALL	2	15G	G14_033	TO->FROM	FPL SWITCH - WOODWARD 138KV CKT 1	133	153	0.03154	105.8822	ELK CITY - RED HILLS WIND 138KV CKT 1
FDNS	06ALL	2	15SP	G14_033	TO->FROM	FPL SWITCH - WOODWARD 138KV CKT 1	133	153	0.04844	105.4283	NORTHWEST - TATONGA7 345.00 345KV CKT 1
FDNS	06ALL	2	15SP	G14_033	TO->FROM	FPL SWITCH - WOODWARD 138KV CKT 1	133	153	0.04984	104.792	LAWTON EASTSIDE - OKLAUNION 345KV CKT 1
FDNS	06ALL	2	15SP	G14_033	TO->FROM	FPL SWITCH - WOODWARD 138KV CKT 1	133	153	0.04844	102.6609	SPSCONT-05B
FDNS	06ALL	2	15SP	G14_033	TO->FROM	FPL SWITCH - WOODWARD 138KV CKT 1	133	153	0.04844	101.5196	SPSCONT-04
FDNS	06ALL	2	15SP	G14_033	TO->FROM	FPL SWITCH - WOODWARD 138KV CKT 1	133	153	0.04589	100.868	DBL-THIS-WIC
FDNS	06ALL	2	15SP	G14_033	TO->FROM	FPL SWITCH - WOODWARD 138KV CKT 1	133	153	0.03514	97.8	WOODWARD (WOODWRD2) 138/69/13.2KV TRANSFORMER CKT 1
FDNS	06ALL	2	20WP	G14_033	TO->FROM	FPL SWITCH - WOODWARD 138KV CKT 1	171	185	0.05131	96.8	NORTHWEST - TATONGA7 345.00 345KV CKT 1
FDNS	06ALL	2	20WP	G14_033	TO->FROM	FPL SWITCH - WOODWARD 138KV CKT 1	171	185	0.06059	96.1	DBL-THIS-WWR
FDNS	06ALL	2	15G	G14_033	TO->FROM	GRAPEVINE INTERCHANGE - NICHOLS STATION 230KV CKT 1	319	351	0.1019	104.1544	LAWTON EASTSIDE - OKLAUNION 345KV CKT 1
FDNS	06ALL	2	20WP	G14_033	TO->FROM	GRAPEVINE INTERCHANGE - NICHOLS STATION 230KV CKT 1	329	361	0.13118	102.6379	LAWTON EASTSIDE - OKLAUNION 345KV CKT 1
FDNS	06ALL	2	15SP	G14_033	TO->FROM	GRAPEVINE INTERCHANGE - NICHOLS STATION 230KV CKT 1	319	351	0.10345	99.55632	LAWTON EASTSIDE - OKLAUNION 345KV CKT 1
FDNS	06ALL	2	15G	G14_033	FROM->TO	GRAPEVINE INTERCHANGE - STATELINE INTERCHANGE 230KV CKT 1	319	351	0.11345	96.1822	LAWTON EASTSIDE - OKLAUNION 345KV CKT 1
FDNS	06ALL	2	15G	G14_033	FROM->TO	HARPER - MILAN TAP 138KV CKT 1	138	143	0.03297	116.4392	DBL-THIS-WIC
FDNS	06ALL	2	15SP	G14_033	FROM->TO	HARPER - MILAN TAP 138KV CKT 1	127	136	0.03321	104.4461	DBL-THIS-WIC
FDNS	06ALL	2	15WP	G14_033	FROM->TO	HARPER - MILAN TAP 138KV CKT 1	143	143	0.03322	102.7312	DBL-THIS-WIC
FDNS	06ALL	2	15G	G14_033	TO->FROM	PLANT X STATION - TOLK STATION EAST 230KV CKT 2	478	502	0.0507	107.8303	SPP-SWPS-06
FDNS	06ALL	2	15WP	G14_033	TO->FROM	PLANT X STATION - TOLK STATION EAST 230KV CKT 2	557	557	0.36025	99.7	PLANT X STATION - TOLK STATION WEST 230KV CKT 1
FDNS	06ALL	2	20SP	G14_033	TO->FROM	PLANT X STATION - TOLK STATION EAST 230KV CKT 2	478	502	0.29836	96.2	PLANT X STATION - TOLK STATION WEST 230KV CKT 1
FDNS	06ALL	2	20SP	G14_033	TO->FROM	PLANT X STATION - TOLK STATION WEST 230KV CKT 1	478	502	0.30112	96.9	PLANT X STATION - TOLK STATION EAST 230KV CKT 2
FDNS	06ALL	2	15SP	G14_033	FROM->TO	PLANT X STATION (WH ALM20171) 230/115/13.2KV TRANSFORMER CKT 1	252	252	0.10848	106.9543	NEWHART 230 - PLANT X STATION 230KV CKT 1
FDNS	06ALL	2	15SP	G14_033	FROM->TO	PLANT X STATION (WH ALM20171) 230/115/13.2KV TRANSFORMER CKT 1	252	252	0.07364	104.7846	LAMB COUNTY INTERCHANGE (WH ALM20172) 230/115/13.2KV TRANSFORMER CKT 1
FDNS	06ALL	2	15SP	G14_033	FROM->TO	PLANT X STATION (WH ALM20171) 230/115/13.2KV TRANSFORMER CKT 1	252	252	0.07364	104.7807	SPP-SWPS-K37
FDNS	06ALL	2	15SP	G14_033	FROM->TO	PLANT X STATION (WH ALM20171) 230/115/13.2KV TRANSFORMER CKT 1	252	252	0.07364	104.7599	LAMB COUNTY INTERCHANGE - TOLK STATION WEST 230KV CKT 1
FDNS	06ALL	2	15SP	G14_033	FROM->TO	PLANT X STATION (WH ALM20171) 230/115/13.2KV TRANSFORMER CKT 1	252	252	0.10848	104.2664	NEWHART 230 - PLANT X STATION 230KV CKT 1
FDNS	06ALL	2	15SP	G14_033	FROM->TO	PLANT X STATION (WH ALM20171) 230/115/13.2KV TRANSFORMER CKT 1	252	252	0.0918	102.3785	DEAF SMITH COUNTY INTERCHANGE - PLANT X STATION 230KV CKT 1
FDNS	06ALL	2	15SP	G14_033	FROM->TO	PLANT X STATION (WH ALM20171) 230/115/13.2KV TRANSFORMER CKT 1	252	252	0.07364	102.3506	LAMB COUNTY INTERCHANGE (WH ALM20172) 230/115/13.2KV TRANSFORMER CKT 1
FDNS	06ALL	2	15SP	G14_033	FROM->TO	PLANT X STATION (WH ALM20171) 230/115/13.2KV TRANSFORMER CKT 1	252	252	0.07364	102.3469	SPP-SWPS-K37
FDNS	06ALL	2	15SP	G14_033	FROM->TO	PLANT X STATION (WH ALM20171) 230/115/13.2KV TRANSFORMER CKT 1	252	252	0.07364	102.3256	LAMB COUNTY INTERCHANGE - TOLK STATION WEST 230KV CKT 1
FDNS	06ALL	2	15SP	G14_033	FROM->TO	PLANT X STATION (WH ALM20171) 230/115/13.2KV TRANSFORMER CKT 1	252	252	0.0918	99.6	DEAF SMITH COUNTY INTERCHANGE - PLANT X STATION 230KV CKT 1
FDNS	06ALL	2	15SP	G14_033	FROM->TO	PLANT X STATION (WH ALM20171) 230/115/13.2KV TRANSFORMER CKT 1	252	252	0.06412	95.6	GEN525493 1-PLANT X GEN #3
FDNS	06ALL	2	15G	G14_033	FROM->TO	POTASH JUNCTION INTERCHANGE (GE M100747) 230/115/13.2KV TRANSFORMER CKT 1	150	150	0.04473	99.9	CARLSBAD INTERCHANGE - PECOS INTERCHANGE 115KV CKT 1
FDNS	06ALL	2	15G	G14_033	FROM->TO	POTASH JUNCTION INTERCHANGE (GE M100747) 230/115/13.2KV TRANSFORMER CKT 1	150	150	0.04473	96	CARLSBAD INTERCHANGE - PECOS INTERCHANGE 115KV CKT 1
FDNS	06ALL	2	15G	G14_033	FROM->TO	TUCO INTERCHANGE - TUCO_2 230.00 230KV CKT 1	319	351	0.19252	114.1018	SPP-SWPS-01
FDNS	06ALL	2	15G	G14_033	FROM->TO	TUCO INTERCHANGE - TUCO_2 230.00 230KV CKT 1	319	351	0.18675	107.1921	TUCO INTERCHANGE (SIEM 8743066) 345/230/13.2KV TRANSFORMER CKT 2
FDNS	06ALL	2	20WP	G14_033	FROM->TO	TUCO INTERCHANGE - TUCO_2 230.00 230KV CKT 1	329	361	0.13694	101.7389	SPP-SWPS-01
FDNS	06ALL	2	20WP	G14_033	FROM->TO	TUCO INTERCHANGE - TUCO_2 230.00 230KV CKT 1	329	361	0.1386	100.0723	TUCO INTERCHANGE (GE M1022338) 345/230/13.2KV TRANSFORMER CKT 1
FDNS	06ALL	2	15G	G14_033	FROM->TO	TUCO INTERCHANGE - TUCO_2 230.00 230KV CKT 1	319	351	0.14249	98.75284	LAWTON EASTSIDE - OKLAUNION 345KV CKT 1
FDNS	06ALL	2	15SP	G14_033	FROM->TO	TUCO INTERCHANGE - TUCO_2 230.00 230KV CKT 1	319	351	0.17376	96.5	TUCO INTERCHANGE - TUCO_2 345.00 345KV CKT 1
FDNS	06ALL	2	15WP	G14_033	FROM->TO	TUCO INTERCHANGE - TUCO_2 230.00 230KV CKT 1	329	361	0.20678	96.4	TUCO INTERCHANGE (GE M1022338) 345/230/13.2KV TRANSFORMER CKT 1
FDNS	06ALL	2	15WP	G14_033	FROM->TO	TUCO INTERCHANGE - TUCO_2 230.00 230KV CKT 1	329	361	0.19817	95.1	SPP-SWPS-01
FDNS	06ALL	3	25SP	G14_033	TO->FROM	CARLSBAD INTERCHANGE - PECOS INTERCHANGE 115KV CKT 1	141	141	0.06589	116.9438	HOBBS - KIOWA 7345.00 345KV CKT 1
FDNS	06ALL	3	15SP	G14_033	FROM->TO	CHAVES COUNTY INTERCHANGE - SAMSON SUB 115KV CKT 1	120	154	0.16517	102.4507	CHAVES COUNTY INTERCHANGE - URTON SUB 115KV CKT 1
FDNS	06ALL	3	15SP	G14_033	FROM->TO	CHAVES COUNTY INTERCHANGE - URTON SUB 115KV CKT 1	159	160	0.16481	99.6	CHAVES COUNTY INTERCHANGE - SAMSON SUB 115KV CKT 1
FDNS	06ALL	3	15G	G14_033	FROM->TO	CLEARWATER - GILL ENERGY CENTER WEST 138KV CKT 1	143	143	0.03301	100.3353	DBL-THIS-WIC
FDNS	06ALL	3	15G	G14_033	TO->FROM	CLEARWATER - MILAN TAP 138KV CKT 1	110	110	0.03301	139.9081	DBL-THIS-WIC
FDNS	06ALL	3	20WP	G14_033	TO->FROM	CLEARWATER - MILAN TAP 138KV CKT 1	110	110	0.03306	108.5249	DBL-THIS-WIC
FDNS	06ALL	3	15WP	G14_033	TO->FROM	CLEARWATER - MILAN TAP 138KV CKT 1	110	110	0.03325	106.1126	DBL-THIS-WIC
FDNS	06ALL	3	15SP	G14_033	TO->FROM	CLEARWATER - MILAN TAP 138KV CKT 1	110	110	0.03323	99.9	DBL-THIS-WIC
FDNS	06ALL	3	15SP	G14_033	FROM->TO	CURRY COUNTY INTERCHANGE - DEAF SMITH REC-#20 115KV CKT 1	96	96	0.08115	120.7305	DEAF SMITH COUNTY INTERCHANGE - PLANT X STATION 230KV CKT 1
FDNS	06ALL	3	20SP	G14_033	FROM->TO	CURRY COUNTY INTERCHANGE - DEAF SMITH REC-#20 115KV CKT 1	96	96	0.06685	104.6276	DEAF SMITH COUNTY INTERCHANGE - PLANT X STATION 230KV CKT 1
FDNS	06ALL	3	15SP	G14_033	FROM->TO	CURRY COUNTY INTERCHANGE - DEAF SMITH REC-#20 115KV CKT 1	96	96	0.06518	103.3912	LAWTON EASTSIDE - OKLAUNION 345KV CKT 1
FDNS	06ALL	3	15SP	G14_033	TO->FROM	DEAF SMITH COUNTY INTERCHANGE - PLANT X STATION 230KV CKT 1	319	351	0.18325	109.4403	LAWTON EASTSIDE - OKLAUNION 345KV CKT 1
FDNS	06ALL	3	15SP	G14_033	TO->FROM	DEAF SMITH COUNTY INTERCHANGE - PLANT X STATION 230KV CKT 1	319	351	0.20086	96.9	NEWHART 230 - PLANT X STATION 230KV CKT 1
FDNS	06ALL	3	15SP	G14_033	TO->FROM	DEAF SMITH COUNTY INTERCHANGE - PLANT X STATION 230KV CKT 1	319	351	0.18437	96.2	SPP-SWPS-01
FDNS	06ALL	3	15SP	G14_033	TO->FROM	DEAF SMITH COUNTY INTERCHANGE - PLANT X STATION 230KV CKT 1	319	351	0.18325	96	SPSCONT-01
FDNS	06ALL	3	15SP	G14_033	TO->FROM	DEAF SMITH COUNTY INTERCHANGE - PLANT X STATION 230KV CKT 1	319	351	0.18325	95.8	OKLAUNION - TUCO INTERCHANGE 345KV CKT 1
FDNS	06ALL	3	15SP	G14_033	FROM->TO	DEAF SMITH REC-#20 - PARMER COUNTY SUB 115KV CKT 1	96	96	0.08115	107.5483	DEAF SMITH COUNTY INTERCHANGE - PLANT X STATION 230KV CKT 1
FDNS	06ALL	3	15SP	G14_033	TO->FROM	DEAF SMITH REC-#24 - PARMER COUNTY SUB 115KV CKT 1	96	96	0.08115	99.8	DEAF SMITH COUNTY INTERCHANGE - PLANT X STATION 230KV CKT 1
FDNS	06ALL	3	20WP	G14_033	FROM->TO	EDDY_NORTH 6230.00 (WAUK WT01134) 230/115/13.2KV TRANSFORMER CKT 2	250	288	0.1394	103.4582	EDDY COUNTY INTERCHANGE - EDDY_NORTH 6230.00 230KV CKT @1
FDNS	06ALL	3	20WP	G14_033	FROM->TO	EDDY_NORTH 6230.00 (WAUK WT01134) 230/115/13.2KV TRANSFORMER CKT 2	250	288	0.1394	103.0362	EDDY COUNTY INTERCHANGE - EDDY_NORTH 6230.00 230KV CKT @1
FDNS	06ALL	3	25SP	G14_033	FROM->TO	EDDY_NORTH 6230.00 (WAUK WT01134) 230/115/13.2KV TRANSFORMER CKT 2	250	288	0.14028	101.949	EDDY COUNTY INTERCHANGE - EDDY_NORTH 6230.00 230KV CKT @1
FDNS	06ALL	3	25SP	G14_033	FROM->TO	EDDY_NORTH 6230.00 (WAUK WT01134) 230/115/13.2KV TRANSFORMER CKT 2	250	288	0.14028	100.3172	EDDY COUNTY INTERCHANGE - EDDY_NORTH 6230.00 230KV CKT @1
FDNS	06ALL	3	15WP	G14_033	FROM->TO	EDDY_NORTH 6230.00 (WAUK WT01134) 230/115/13.2KV TRANSFORMER CKT 2	250	288	0.08688	96.8	EDDY COUNTY INTERCHANGE - EDDY_NORTH 6230.00 230KV CKT @1
FDNS	06ALL	3	15WP	G14_033	FROM->TO	EDDY_NORTH 6230.00 (WAUK WT01134) 230/115/13.2KV TRANSFORMER CKT 2	250	288	0.08688	96.7	EDDY COUNTY INTERCHANGE - EDDY_NORTH 6230.00 230KV CKT @1
FDNS	06ALL	3	15G	G14_033	FROM->TO	ELK CITY 230KV (ELKCTY-6) 230/138/13.8KV TRANSFORMER CKT 1	287	316	0.11358	106.8002	LAWTON EASTSIDE - OKLAUNION 345KV CKT 1
FDNS	06ALL	3	15G	G14_033	FROM->TO	ELK CITY 230KV (ELKCTY-6) 230/138/13.8KV TRANSFORMER CKT 1	287	316	0.11358	104.9708	LAWTON EASTSIDE - OKLAUNION 345KV CKT 1
FDNS	06ALL	3	15SP	G14_033	FROM->TO	ELK CITY 230KV (ELKCTY-6) 230/138/13.8KV TRANSFORMER CKT 1	272	316	0.12161	100.0238	LAWTON EASTSIDE - OKLAUNION 345KV CKT 1

SOLUTION	GROUP	SCENARIO	SEASON	SOURCE	DIRECTION	MONITORED ELEMENT	RATEA (MVA)	RATEB (MVA)	TDF	TC%LOADING (% MVA)	CONTINGENCY
FDNS	06ALL	3	15WP	G14_033	FROM->TO	ELK CITY 230KV (ELKCTY-6) 230/138/13.8KV TRANSFORMER CKT 1	287	316	0.12509	99.80477	LAWTON EASTSIDE - OKLAUNION 345KV CKT 1
FDNS	06ALL	3	15SP	G14_033	FROM->TO	ELK CITY 230KV (ELKCTY-6) 230/138/13.8KV TRANSFORMER CKT 1	272	316	0.12161	98.58963	LAWTON EASTSIDE - OKLAUNION 345KV CKT 1
FDNS	06ALL	3	15WP	G14_033	FROM->TO	ELK CITY 230KV (ELKCTY-6) 230/138/13.8KV TRANSFORMER CKT 1	287	316	0.12509	98.40416	LAWTON EASTSIDE - OKLAUNION 345KV CKT 1
FDNS	06ALL	3	15G	G14_033	FROM->TO	ELK CITY 230KV (ELKCTY-6) 230/138/13.8KV TRANSFORMER CKT 1	287	316	0.11358	97.5	SPSCONT-01
FDNS	06ALL	3	15G	G14_033	FROM->TO	ELK CITY 230KV (ELKCTY-6) 230/138/13.8KV TRANSFORMER CKT 1	287	316	0.11417	96.7	SPP-SWPS-01
FDNS-CHECK-TC-Iteration Limit Exceeded.	06ALL	3	15G	G14_033	FROM->TO	ELK CITY 230KV (ELKCTY-6) 230/138/13.8KV TRANSFORMER CKT 1	287	316	0.09956	96.7	DBL-G1114-WW
FDNS	06ALL	3	15G	G14_033	FROM->TO	ELK CITY 230KV (ELKCTY-6) 230/138/13.8KV TRANSFORMER CKT 1	287	316	0.11358	96.5	SPSCONT-01
FDNS	06ALL	3	15G	G14_033	FROM->TO	ELK CITY 230KV (ELKCTY-6) 230/138/13.8KV TRANSFORMER CKT 1	287	316	0.11358	96.4	OKLAUNION - TUCO INTERCHANGE 345KV CKT 1
FDNS	06ALL	3	15G	G14_033	FROM->TO	ELK CITY 230KV (ELKCTY-6) 230/138/13.8KV TRANSFORMER CKT 1	287	316	0.09956	95.6	DBL-BVR-G111
FDNS-CHECK-TC-Iteration Limit Exceeded.	06ALL	3	15G	G14_033	FROM->TO	ELK CITY 230KV (ELKCTY-6) 230/138/13.8KV TRANSFORMER CKT 1	287	316	0.09956	95.6	DBL-G1114-WW
FDNS	06ALL	3	15G	G14_033	FROM->TO	ELK CITY 230KV (ELKCTY-6) 230/138/13.8KV TRANSFORMER CKT 1	287	316	0.11417	95.5	SPP-SWPS-01
FDNS	06ALL	3	15G	G14_033	FROM->TO	ELK CITY 230KV (ELKCTY-6) 230/138/13.8KV TRANSFORMER CKT 1	287	316	0.11358	95.3	OKLAUNION - TUCO INTERCHANGE 345KV CKT 1
FDNS	06ALL	3	15SP	G14_033	TO->FROM	FLATRDG3 - THISTLE4 138.00 138KV CKT 1	286	286	0.04788	98.1	DBL-THIS-WIC
FDNS	06ALL	3	15G	G14_033	TO->FROM	FPL SWITCH - WOODWARD 138KV CKT 1	133	153	0.04556	161.139	NORTHWEST - TATONGA7 345.00 345KV CKT 1
FDNS	06ALL	3	15G	G14_033	TO->FROM	FPL SWITCH - WOODWARD 138KV CKT 1	133	153	0.05361	159.4606	DBL-THIS-WWR
FDNS	06ALL	3	15G	G14_033	TO->FROM	FPL SWITCH - WOODWARD 138KV CKT 1	133	153	0.04556	157.7752	SPSCONT-05B
FDNS	06ALL	3	15G	G14_033	TO->FROM	FPL SWITCH - WOODWARD 138KV CKT 1	133	153	0.04556	157.1729	SPSCONT-04
FDNS	06ALL	3	15G	G14_033	TO->FROM	FPL SWITCH - WOODWARD 138KV CKT 1	133	153	0.04302	154.0712	DBL-THIS-WIC
FDNS	06ALL	3	15G	G14_033	TO->FROM	FPL SWITCH - WOODWARD 138KV CKT 1	133	153	0.04692	152.6468	LAWTON EASTSIDE - OKLAUNION 345KV CKT 1
FDNS	06ALL	3	15G	G14_033	TO->FROM	FPL SWITCH - WOODWARD 138KV CKT 1	133	153	0.04556	147.5252	G11_051T 345.00 - TATONGA7 345.00 345KV CKT 1
FDNS	06ALL	3	15G	G14_033	TO->FROM	FPL SWITCH - WOODWARD 138KV CKT 1	133	153	0.04556	146.2378	G11_051T 345.00 - WOODWARD DISTRICT EHV 345KV CKT 1
FDNS	06ALL	3	15G	G14_033	TO->FROM	FPL SWITCH - WOODWARD 138KV CKT 1	133	153	0.03189	143.417	WOODWARD (WOODWRD2) 138/69/13.2KV TRANSFORMER CKT 1
FDNS	06ALL	3	15G	G14_033	TO->FROM	FPL SWITCH - WOODWARD 138KV CKT 1	133	153	0.04556	143.0314	SPSCONT-05AX
FDNS	06ALL	3	15G	G14_033	TO->FROM	FPL SWITCH - WOODWARD 138KV CKT 1	133	153	0.04173	142.1867	ELK CITY 230KV - SWEETWATER 230KV CKT 1
FDNS	06ALL	3	15G	G14_033	TO->FROM	FPL SWITCH - WOODWARD 138KV CKT 1	133	153	0.04173	142.1522	ELK CITY 230KV (ELKCTY-6) 230/138/13.8KV TRANSFORMER CKT 1
FDNS	06ALL	3	15G	G14_033	TO->FROM	FPL SWITCH - WOODWARD 138KV CKT 1	133	153	0.04692	141.5408	SPSCONT-01
FDNS	06ALL	3	15G	G14_033	TO->FROM	FPL SWITCH - WOODWARD 138KV CKT 1	133	153	0.04195	139.7718	SPP-SWPS-03
FDNS	06ALL	3	15G	G14_033	TO->FROM	FPL SWITCH - WOODWARD 138KV CKT 1	133	153	0.04692	139.4068	OKLAUNION - TUCO INTERCHANGE 345KV CKT 1
FDNS	06ALL	3	15G	G14_033	TO->FROM	FPL SWITCH - WOODWARD 138KV CKT 1	133	153	0.04672	139.2189	SPP-SWPS-01
FDNS	06ALL	3	15G	G14_033	TO->FROM	FPL SWITCH - WOODWARD 138KV CKT 1	133	153	0.04173	138.5807	SPP-SWPS-02A
FDNS	06ALL	3	15G	G14_033	TO->FROM	FPL SWITCH - WOODWARD 138KV CKT 1	133	153	0.04173	138.419	GRAPEVINE INTERCHANGE - STATELINE INTERCHANGE 230KV CKT 1
FDNS	06ALL	3	15G	G14_033	TO->FROM	FPL SWITCH - WOODWARD 138KV CKT 1	133	153	0.0339	137.3554	IODINE - WOODWARD EHV 138KV CKT 1
FDNS	06ALL	3	15G	G14_033	TO->FROM	FPL SWITCH - WOODWARD 138KV CKT 1	133	153	0.0339	135.3142	DEWEY - IODINE 138KV CKT 1
FDNS	06ALL	3	15G	G14_033	TO->FROM	FPL SWITCH - WOODWARD 138KV CKT 1	133	153	0.04173	132.9488	STATELINE INTERCHANGE - STLN-DEMARC6 230KV CKT 1
FDNS	06ALL	3	15G	G14_033	TO->FROM	FPL SWITCH - WOODWARD 138KV CKT 1	133	153	0.04173	132.9455	SPP-SWPS-02
FDNS	06ALL	3	15G	G14_033	TO->FROM	FPL SWITCH - WOODWARD 138KV CKT 1	133	153	0.04173	132.9341	STLN-DEMARC6 - SWEETWATER 230KV CKT 1
FDNS	06ALL	3	15G	G14_033	TO->FROM	FPL SWITCH - WOODWARD 138KV CKT 1	133	153	0.03444	130.4008	GRAPEVINE INTERCHANGE - NICHOLS STATION 230KV CKT 1
FDNS	06ALL	3	15G	G14_033	TO->FROM	FPL SWITCH - WOODWARD 138KV CKT 1	133	153	0.03189	130.0269	WOODWARD - WOODWARD 69KV CKT 1
FDNS	06ALL	3	15G	G14_033	TO->FROM	FPL SWITCH - WOODWARD 138KV CKT 1	133	153	0.03465	126.1489	THISTLE7 345.00 - WOODWARD DISTRICT EHV 345KV CKT 1
FDNS	06ALL	3	15G	G14_033	TO->FROM	FPL SWITCH - WOODWARD 138KV CKT 1	133	153	0.03465	126.1489	THISTLE7 345.00 - WOODWARD DISTRICT EHV 345KV CKT 2
FDNS	06ALL	3	15G	G14_033	TO->FROM	FPL SWITCH - WOODWARD 138KV CKT 1	133	153	0.03417	124.4764	FINNEY SWITCHING STATION - HOLCOMB 345KV CKT 1
FDNS	06ALL	3	15G	G14_033	TO->FROM	FPL SWITCH - WOODWARD 138KV CKT 1	133	153	0.03174	124.1911	THISTLE7 345.00 - WICHITA 345KV CKT 1
FDNS	06ALL	3	15G	G14_033	TO->FROM	FPL SWITCH - WOODWARD 138KV CKT 1	133	153	0.03174	124.1911	THISTLE7 345.00 - WICHITA 345KV CKT 2
FDNS	06ALL	3	15G	G14_033	TO->FROM	FPL SWITCH - WOODWARD 138KV CKT 1	133	153	0.03417	123.2348	SPP-SWPS-05
FDNS	06ALL	3	15G	G14_033	TO->FROM	FPL SWITCH - WOODWARD 138KV CKT 1	133	153	0.03417	123.1767	FINNEY SWITCHING STATION - Hitchland Interchange 345KV CKT 1
FDNS	06ALL	3	15G	G14_033	TO->FROM	FPL SWITCH - WOODWARD 138KV CKT 1	133	153	0.03158	120.7358	ELLIS 4 138.00 - RED HILLS WIND 138KV CKT 1
FDNS	06ALL	3	15G	G14_033	TO->FROM	FPL SWITCH - WOODWARD 138KV CKT 1	133	153	0.03158	118.208	ELLIS 4 138.00 - MOREWOOD SW 138KV CKT 1
FDNS	06ALL	3	15SP	G14_033	TO->FROM	FPL SWITCH - WOODWARD 138KV CKT 1	133	153	0.05682	111.727	DBL-THIS-WWR
FDNS	06ALL	3	15G	G14_033	TO->FROM	FPL SWITCH - WOODWARD 138KV CKT 1	133	153	0.03158	106.2134	ELK CITY - RED HILLS WIND 138KV CKT 1
FDNS	06ALL	3	15SP	G14_033	TO->FROM	FPL SWITCH - WOODWARD 138KV CKT 1	133	153	0.04847	105.3474	NORTHWEST - TATONGA7 345.00 345KV CKT 1
FDNS	06ALL	3	15SP	G14_033	TO->FROM	FPL SWITCH - WOODWARD 138KV CKT 1	133	153	0.04988	104.763	LAWTON EASTSIDE - OKLAUNION 345KV CKT 1
FDNS	06ALL	3	15SP	G14_033	TO->FROM	FPL SWITCH - WOODWARD 138KV CKT 1	133	153	0.04847	102.5806	SPSCONT-05B
FDNS	06ALL	3	15SP	G14_033	TO->FROM	FPL SWITCH - WOODWARD 138KV CKT 1	133	153	0.04847	101.4405	SPSCONT-04
FDNS	06ALL	3	15SP	G14_033	TO->FROM	FPL SWITCH - WOODWARD 138KV CKT 1	133	153	0.04591	100.7966	DBL-THIS-WIC
FDNS	06ALL	3	15SP	G14_033	TO->FROM	FPL SWITCH - WOODWARD 138KV CKT 1	133	153	0.03516	97.7	WOODWARD (WOODWRD2) 138/69/13.2KV TRANSFORMER CKT 1
FDNS	06ALL	3	20WP	G14_033	TO->FROM	FPL SWITCH - WOODWARD 138KV CKT 1	171	185	0.05136	96.7	NORTHWEST - TATONGA7 345.00 345KV CKT 1
FDNS	06ALL	3	20WP	G14_033	TO->FROM	FPL SWITCH - WOODWARD 138KV CKT 1	171	185	0.06064	96	DBL-THIS-WWR
FDNS	06ALL	3	15G	G14_033	TO->FROM	GRAPEVINE INTERCHANGE - NICHOLS STATION 230KV CKT 1	319	351	0.10202	104.2251	LAWTON EASTSIDE - OKLAUNION 345KV CKT 1
FDNS	06ALL	3	20WP	G14_033	TO->FROM	GRAPEVINE INTERCHANGE - NICHOLS STATION 230KV CKT 1	329	361	0.1313	102.6177	LAWTON EASTSIDE - OKLAUNION 345KV CKT 1
FDNS	06ALL	3	15SP	G14_033	TO->FROM	GRAPEVINE INTERCHANGE - NICHOLS STATION 230KV CKT 1	319	351	0.10351	99.55151	LAWTON EASTSIDE - OKLAUNION 345KV CKT 1
FDNS	06ALL	3	15G	G14_033	FROM->TO	GRAPEVINE INTERCHANGE - STATELINE INTERCHANGE 230KV CKT 1	319	351	0.11358	96.19302	LAWTON EASTSIDE - OKLAUNION 345KV CKT 1
FDNS	06ALL	3	15G	G14_033	FROM->TO	HARPER - MILAN TAP 138KV CKT 1	138	143	0.03301	116.387	DBL-THIS-WIC

SOLUTION	GROUP	SCENARIO	SEASON	SOURCE	DIRECTION	MONITORED ELEMENT	RATEA (MVA)	RATEB (MVA)	TDF	TC%LOADING (% MVA)	CONTINGENCY
FDNS	06ALL	3	15SP	G14_033	FROM->TO	HARPER - MILAN TAP 138KV CKT 1	127	136	0.03323	104.4151	DBL-THIS-WIC
FDNS	06ALL	3	15WP	G14_033	FROM->TO	HARPER - MILAN TAP 138KV CKT 1	143	143	0.03325	102.7046	DBL-THIS-WIC
FDNS	06ALL	3	15G	G14_033	TO->FROM	PLANT X STATION - TOLK STATION EAST 230KV CKT 2	478	502	0.05115	106.1344	SPP-SWPS-06
FDNS	06ALL	3	15WP	G14_033	TO->FROM	PLANT X STATION - TOLK STATION EAST 230KV CKT 2	557	557	0.36033	99.6	PLANT X STATION - TOLK STATION WEST 230KV CKT 1
FDNS	06ALL	3	20SP	G14_033	TO->FROM	PLANT X STATION - TOLK STATION EAST 230KV CKT 2	478	502	0.29873	96.2	PLANT X STATION - TOLK STATION WEST 230KV CKT 1
FDNS	06ALL	3	20SP	G14_033	TO->FROM	PLANT X STATION - TOLK STATION WEST 230KV CKT 1	478	502	0.30149	97	PLANT X STATION - TOLK STATION EAST 230KV CKT 2
FDNS	06ALL	3	15SP	G14_033	FROM->TO	PLANT X STATION (WH ALM20171) 230/115/13.2KV TRANSFORMER CKT 1	252	252	0.10851	106.8107	NEWHART 230 - PLANT X STATION 230KV CKT 1
FDNS	06ALL	3	15SP	G14_033	FROM->TO	PLANT X STATION (WH ALM20171) 230/115/13.2KV TRANSFORMER CKT 1	252	252	0.07363	104.6633	LAMB COUNTY INTERCHANGE - TOLK STATION WEST 230KV CKT 1
FDNS	06ALL	3	15SP	G14_033	FROM->TO	PLANT X STATION (WH ALM20171) 230/115/13.2KV TRANSFORMER CKT 1	252	252	0.07363	104.6607	LAMB COUNTY INTERCHANGE (WH ALM20172) 230/115/13.2KV TRANSFORMER CKT 1
FDNS	06ALL	3	15SP	G14_033	FROM->TO	PLANT X STATION (WH ALM20171) 230/115/13.2KV TRANSFORMER CKT 1	252	252	0.07363	104.6607	SPP-SWPS-K37
FDNS	06ALL	3	15SP	G14_033	FROM->TO	PLANT X STATION (WH ALM20171) 230/115/13.2KV TRANSFORMER CKT 1	252	252	0.10851	104.1177	NEWHART 230 - PLANT X STATION 230KV CKT 1
FDNS	06ALL	3	15SP	G14_033	FROM->TO	PLANT X STATION (WH ALM20171) 230/115/13.2KV TRANSFORMER CKT 1	252	252	0.09183	102.2408	DEAF SMITH COUNTY INTERCHANGE - PLANT X STATION 230KV CKT 1
FDNS	06ALL	3	15SP	G14_033	FROM->TO	PLANT X STATION (WH ALM20171) 230/115/13.2KV TRANSFORMER CKT 1	252	252	0.07363	102.2229	LAMB COUNTY INTERCHANGE - TOLK STATION WEST 230KV CKT 1
FDNS	06ALL	3	15SP	G14_033	FROM->TO	PLANT X STATION (WH ALM20171) 230/115/13.2KV TRANSFORMER CKT 1	252	252	0.07363	102.2204	LAMB COUNTY INTERCHANGE (WH ALM20172) 230/115/13.2KV TRANSFORMER CKT 1
FDNS	06ALL	3	15SP	G14_033	FROM->TO	PLANT X STATION (WH ALM20171) 230/115/13.2KV TRANSFORMER CKT 1	252	252	0.07363	102.2204	SPP-SWPS-K37
FDNS	06ALL	3	15SP	G14_033	FROM->TO	PLANT X STATION (WH ALM20171) 230/115/13.2KV TRANSFORMER CKT 1	252	252	0.09183	99.5	DEAF SMITH COUNTY INTERCHANGE - PLANT X STATION 230KV CKT 1
FDNS	06ALL	3	15SP	G14_033	FROM->TO	PLANT X STATION (WH ALM20171) 230/115/13.2KV TRANSFORMER CKT 1	252	252	0.06413	95.4	GEN525493 1-PLANT X GEN #3
FDNS	06ALL	3	15G	G14_033	FROM->TO	POTASH JUNCTION INTERCHANGE (GE M100747) 230/115/13.2KV TRANSFORMER CKT 1	150	150	0.04764	97.8	CARLSBAD INTERCHANGE - PECOS INTERCHANGE 115KV CKT 1
FDNS	06ALL	4	25SP	G14_033	TO->FROM	CARLSBAD INTERCHANGE - PECOS INTERCHANGE 115KV CKT 1	141	141	0.06589	116.9438	HOBBS - KIOWA 7345.00 345KV CKT 1
FDNS	06ALL	4	15SP	G14_033	FROM->TO	CHAVES COUNTY INTERCHANGE - SAMSON SUB 115KV CKT 1	120	154	0.16517	102.4507	CHAVES COUNTY INTERCHANGE - URTON SUB 115KV CKT 1
FDNS	06ALL	4	15SP	G14_033	FROM->TO	CHAVES COUNTY INTERCHANGE - URTON SUB 115KV CKT 1	159	160	0.16481	99.6	CHAVES COUNTY INTERCHANGE - SAMSON SUB 115KV CKT 1
FDNS	06ALL	4	15G	G14_033	FROM->TO	CLEARWATER - GILL ENERGY CENTER WEST 138KV CKT 1	143	143	0.03301	100.3353	DBL-THIS-WIC
FDNS	06ALL	4	15G	G14_033	TO->FROM	CLEARWATER - MILAN TAP 138KV CKT 1	110	110	0.03301	139.9081	DBL-THIS-WIC
FDNS	06ALL	4	20WP	G14_033	TO->FROM	CLEARWATER - MILAN TAP 138KV CKT 1	110	110	0.03306	108.5249	DBL-THIS-WIC
FDNS	06ALL	4	15WP	G14_033	TO->FROM	CLEARWATER - MILAN TAP 138KV CKT 1	110	110	0.03325	106.1126	DBL-THIS-WIC
FDNS	06ALL	4	15SP	G14_033	TO->FROM	CLEARWATER - MILAN TAP 138KV CKT 1	110	110	0.03323	99.9	DBL-THIS-WIC
FDNS	06ALL	4	15SP	G14_033	FROM->TO	CURRY COUNTY INTERCHANGE - DEAF SMITH REC-#20 115KV CKT 1	96	96	0.08115	120.7303	DEAF SMITH COUNTY INTERCHANGE - PLANT X STATION 230KV CKT 1
FDNS	06ALL	4	20SP	G14_033	FROM->TO	CURRY COUNTY INTERCHANGE - DEAF SMITH REC-#20 115KV CKT 1	96	96	0.06685	104.6276	DEAF SMITH COUNTY INTERCHANGE - PLANT X STATION 230KV CKT 1
FDNS	06ALL	4	15SP	G14_033	FROM->TO	CURRY COUNTY INTERCHANGE - DEAF SMITH REC-#20 115KV CKT 1	96	96	0.06518	103.3913	LAWTON EASTSIDE - OKLAUNION 345KV CKT 1
FDNS	06ALL	4	15SP	G14_033	TO->FROM	DEAF SMITH COUNTY INTERCHANGE - PLANT X STATION 230KV CKT 1	319	351	0.18325	109.4404	LAWTON EASTSIDE - OKLAUNION 345KV CKT 1
FDNS	06ALL	4	15SP	G14_033	TO->FROM	DEAF SMITH COUNTY INTERCHANGE - PLANT X STATION 230KV CKT 1	319	351	0.20086	96.9	NEWHART 230 - PLANT X STATION 230KV CKT 1
FDNS	06ALL	4	15SP	G14_033	TO->FROM	DEAF SMITH COUNTY INTERCHANGE - PLANT X STATION 230KV CKT 1	319	351	0.18437	96.2	SPP-SWPS-01
FDNS	06ALL	4	15SP	G14_033	TO->FROM	DEAF SMITH COUNTY INTERCHANGE - PLANT X STATION 230KV CKT 1	319	351	0.18325	96	SPSCONT-01
FDNS	06ALL	4	15SP	G14_033	TO->FROM	DEAF SMITH COUNTY INTERCHANGE - PLANT X STATION 230KV CKT 1	319	351	0.18325	95.8	OKLAUNION - TUCO INTERCHANGE 345KV CKT 1
FDNS	06ALL	4	15SP	G14_033	FROM->TO	DEAF SMITH REC-#20 - PARMER COUNTY SUB 115KV CKT 1	96	96	0.08115	107.5483	DEAF SMITH COUNTY INTERCHANGE - PLANT X STATION 230KV CKT 1
FDNS	06ALL	4	15SP	G14_033	TO->FROM	DEAF SMITH REC-#24 - PARMER COUNTY SUB 115KV CKT 1	96	96	0.08115	99.8	DEAF SMITH COUNTY INTERCHANGE - PLANT X STATION 230KV CKT 1
FDNS	06ALL	4	20WP	G14_033	FROM->TO	EDDY NORTH 6230.00 (WAUK WT01134) 230/115/13.2KV TRANSFORMER CKT 2	250	288	0.1394	103.4582	EDDY COUNTY INTERCHANGE - EDDY NORTH 6230.00 230KV CKT @1
FDNS	06ALL	4	20WP	G14_033	FROM->TO	EDDY NORTH 6230.00 (WAUK WT01134) 230/115/13.2KV TRANSFORMER CKT 2	250	288	0.1394	103.0362	EDDY COUNTY INTERCHANGE - EDDY NORTH 6230.00 230KV CKT @1
FDNS	06ALL	4	25SP	G14_033	FROM->TO	EDDY NORTH 6230.00 (WAUK WT01134) 230/115/13.2KV TRANSFORMER CKT 2	250	288	0.14028	101.949	EDDY COUNTY INTERCHANGE - EDDY NORTH 6230.00 230KV CKT @1
FDNS	06ALL	4	25SP	G14_033	FROM->TO	EDDY NORTH 6230.00 (WAUK WT01134) 230/115/13.2KV TRANSFORMER CKT 2	250	288	0.14028	100.3172	EDDY COUNTY INTERCHANGE - EDDY NORTH 6230.00 230KV CKT @1
FDNS	06ALL	4	15WP	G14_033	FROM->TO	EDDY NORTH 6230.00 (WAUK WT01134) 230/115/13.2KV TRANSFORMER CKT 2	250	288	0.08688	96.8	EDDY COUNTY INTERCHANGE - EDDY NORTH 6230.00 230KV CKT @1
FDNS	06ALL	4	15WP	G14_033	FROM->TO	EDDY NORTH 6230.00 (WAUK WT01134) 230/115/13.2KV TRANSFORMER CKT 2	250	288	0.08688	96.7	EDDY COUNTY INTERCHANGE - EDDY NORTH 6230.00 230KV CKT @1
FDNS	06ALL	4	15G	G14_033	FROM->TO	ELK CITY 230KV (ELKCTY-6) 230/138/13.8KV TRANSFORMER CKT 1	287	316	0.11358	106.8002	LAWTON EASTSIDE - OKLAUNION 345KV CKT 1
FDNS	06ALL	4	15G	G14_033	FROM->TO	ELK CITY 230KV (ELKCTY-6) 230/138/13.8KV TRANSFORMER CKT 1	287	316	0.11358	104.9708	LAWTON EASTSIDE - OKLAUNION 345KV CKT 1
FDNS	06ALL	4	15SP	G14_033	FROM->TO	ELK CITY 230KV (ELKCTY-6) 230/138/13.8KV TRANSFORMER CKT 1	272	316	0.12161	100.0245	LAWTON EASTSIDE - OKLAUNION 345KV CKT 1
FDNS	06ALL	4	15WP	G14_033	FROM->TO	ELK CITY 230KV (ELKCTY-6) 230/138/13.8KV TRANSFORMER CKT 1	287	316	0.12509	99.80477	LAWTON EASTSIDE - OKLAUNION 345KV CKT 1
FDNS	06ALL	4	15SP	G14_033	FROM->TO	ELK CITY 230KV (ELKCTY-6) 230/138/13.8KV TRANSFORMER CKT 1	272	316	0.12161	98.59045	LAWTON EASTSIDE - OKLAUNION 345KV CKT 1
FDNS	06ALL	4	15WP	G14_033	FROM->TO	ELK CITY 230KV (ELKCTY-6) 230/138/13.8KV TRANSFORMER CKT 1	287	316	0.12509	98.40416	LAWTON EASTSIDE - OKLAUNION 345KV CKT 1
FDNS	06ALL	4	15G	G14_033	FROM->TO	ELK CITY 230KV (ELKCTY-6) 230/138/13.8KV TRANSFORMER CKT 1	287	316	0.11358	97.5	SPSCONT-01
FDNS	06ALL	4	15G	G14_033	FROM->TO	ELK CITY 230KV (ELKCTY-6) 230/138/13.8KV TRANSFORMER CKT 1	287	316	0.11417	96.7	SPP-SWPS-01
FDNS-CHECK-TC-Iteration Limit Exceeded.	06ALL	4	15G	G14_033	FROM->TO	ELK CITY 230KV (ELKCTY-6) 230/138/13.8KV TRANSFORMER CKT 1	287	316	0.09956	96.7	DBL-G1114-WW
FDNS	06ALL	4	15G	G14_033	FROM->TO	ELK CITY 230KV (ELKCTY-6) 230/138/13.8KV TRANSFORMER CKT 1	287	316	0.11358	96.5	SPSCONT-01
FDNS	06ALL	4	15G	G14_033	FROM->TO	ELK CITY 230KV (ELKCTY-6) 230/138/13.8KV TRANSFORMER CKT 1	287	316	0.11358	96.4	OKLAUNION - TUCO INTERCHANGE 345KV CKT 1
FDNS	06ALL	4	15G	G14_033	FROM->TO	ELK CITY 230KV (ELKCTY-6) 230/138/13.8KV TRANSFORMER CKT 1	287	316	0.09956	95.6	DBL-BVR-G111
FDNS-CHECK-TC-Iteration Limit Exceeded.	06ALL	4	15G	G14_033	FROM->TO	ELK CITY 230KV (ELKCTY-6) 230/138/13.8KV TRANSFORMER CKT 1	287	316	0.09956	95.6	DBL-G1114-WW
FDNS	06ALL	4	15G	G14_033	FROM->TO	ELK CITY 230KV (ELKCTY-6) 230/138/13.8KV TRANSFORMER CKT 1	287	316	0.11417	95.5	SPP-SWPS-01
FDNS	06ALL	4	15G	G14_033	FROM->TO	ELK CITY 230KV (ELKCTY-6) 230/138/13.8KV TRANSFORMER CKT 1	287	316	0.11358	95.3	OKLAUNION - TUCO INTERCHANGE 345KV CKT 1
FDNS	06ALL	4	15SP	G14_033	TO->FROM	FLATRDG3 - THISTLE4 138.00 138KV CKT 1	286	286	0.04788	98.1	DBL-THIS-WIC
FDNS	06ALL	4	15G	G14_033	TO->FROM	FPL SWITCH - WOODWARD 138KV CKT 1	133	153	0.04556	161.139	NORTHWEST - TATONGA7 345.00 345KV CKT 1
FDNS	06ALL	4	15G	G14_033	TO->FROM	FPL SWITCH - WOODWARD 138KV CKT 1	133	153	0.05361	159.4606	DBL-THIS-WWR
FDNS	06ALL	4	15G	G14_033	TO->FROM	FPL SWITCH - WOODWARD 138KV CKT 1	133	153	0.04556	157.7752	SPSCONT-05B
FDNS	06ALL	4	15G	G14_033	TO->FROM	FPL SWITCH - WOODWARD 138KV CKT 1	133	153	0.04556	157.1729	SPSCONT-04

SOLUTION	GROUP	SCENARIO	SEASON	SOURCE	DIRECTION	MONITORED ELEMENT	RATEA (MVA)	RATEB(MVA)	TC%LOADING TDF (% MVA)	CONTINGENCY	
FDNS	06ALL	4	15G	G14_033	TO->FROM	FPL SWITCH - WOODWARD 138KV CKT 1	133	153	0.04302	154.0712	DBL-THIS-WIC
FDNS	06ALL	4	15G	G14_033	TO->FROM	FPL SWITCH - WOODWARD 138KV CKT 1	133	153	0.04692	152.6468	LAWTON EASTSIDE - OKLAUNION 345KV CKT 1
FDNS	06ALL	4	15G	G14_033	TO->FROM	FPL SWITCH - WOODWARD 138KV CKT 1	133	153	0.04556	147.5252	G11_051T 345.00 - TATONGA7 345.00 345KV CKT 1
FDNS	06ALL	4	15G	G14_033	TO->FROM	FPL SWITCH - WOODWARD 138KV CKT 1	133	153	0.04556	146.2378	G11_051T 345.00 - WOODWARD DISTRICT EHV 345KV CKT 1
FDNS	06ALL	4	15G	G14_033	TO->FROM	FPL SWITCH - WOODWARD 138KV CKT 1	133	153	0.03189	143.417	WOODWARD (WOODWRD2) 138/69/13.2KV TRANSFORMER CKT 1
FDNS	06ALL	4	15G	G14_033	TO->FROM	FPL SWITCH - WOODWARD 138KV CKT 1	133	153	0.04556	143.0315	SPSCONT-05AX
FDNS	06ALL	4	15G	G14_033	TO->FROM	FPL SWITCH - WOODWARD 138KV CKT 1	133	153	0.04173	142.1867	ELK CITY 230KV - SWEETWATER 230KV CKT 1
FDNS	06ALL	4	15G	G14_033	TO->FROM	FPL SWITCH - WOODWARD 138KV CKT 1	133	153	0.04173	142.1522	ELK CITY 230KV (ELKCTY-6) 230/138/13.8KV TRANSFORMER CKT 1
FDNS	06ALL	4	15G	G14_033	TO->FROM	FPL SWITCH - WOODWARD 138KV CKT 1	133	153	0.04692	141.5408	SPSCONT-01
FDNS	06ALL	4	15G	G14_033	TO->FROM	FPL SWITCH - WOODWARD 138KV CKT 1	133	153	0.04195	139.7718	SPP-SWPS-03
FDNS	06ALL	4	15G	G14_033	TO->FROM	FPL SWITCH - WOODWARD 138KV CKT 1	133	153	0.04692	139.4068	OKLAUNION - TUCO INTERCHANGE 345KV CKT 1
FDNS	06ALL	4	15G	G14_033	TO->FROM	FPL SWITCH - WOODWARD 138KV CKT 1	133	153	0.04672	139.2189	SPP-SWPS-01
FDNS	06ALL	4	15G	G14_033	TO->FROM	FPL SWITCH - WOODWARD 138KV CKT 1	133	153	0.04173	138.5807	SPP-SWPS-02A
FDNS	06ALL	4	15G	G14_033	TO->FROM	FPL SWITCH - WOODWARD 138KV CKT 1	133	153	0.04173	138.419	GRAPEVINE INTERCHANGE - STATELINE INTERCHANGE 230KV CKT 1
FDNS	06ALL	4	15G	G14_033	TO->FROM	FPL SWITCH - WOODWARD 138KV CKT 1	133	153	0.0339	137.3554	IODINE - WOODWARD EHV 138KV CKT 1
FDNS	06ALL	4	15G	G14_033	TO->FROM	FPL SWITCH - WOODWARD 138KV CKT 1	133	153	0.0339	135.3142	DEWEY - IODINE 138KV CKT 1
FDNS	06ALL	4	15G	G14_033	TO->FROM	FPL SWITCH - WOODWARD 138KV CKT 1	133	153	0.04173	132.9488	STATELINE INTERCHANGE - STLN-DEMARC6 230KV CKT 1
FDNS	06ALL	4	15G	G14_033	TO->FROM	FPL SWITCH - WOODWARD 138KV CKT 1	133	153	0.04173	132.9455	SPP-SWPS-02
FDNS	06ALL	4	15G	G14_033	TO->FROM	FPL SWITCH - WOODWARD 138KV CKT 1	133	153	0.04173	132.9341	STLN-DEMARC6 - SWEETWATER 230KV CKT 1
FDNS	06ALL	4	15G	G14_033	TO->FROM	FPL SWITCH - WOODWARD 138KV CKT 1	133	153	0.03444	130.4008	GRAPEVINE INTERCHANGE - NICHOLS STATION 230KV CKT 1
FDNS	06ALL	4	15G	G14_033	TO->FROM	FPL SWITCH - WOODWARD 138KV CKT 1	133	153	0.03189	130.0269	WOODWARD - WOODWARD 69KV CKT 1
FDNS	06ALL	4	15G	G14_033	TO->FROM	FPL SWITCH - WOODWARD 138KV CKT 1	133	153	0.03465	126.1489	THISTLE7 345.00 - WOODWARD DISTRICT EHV 345KV CKT 1
FDNS	06ALL	4	15G	G14_033	TO->FROM	FPL SWITCH - WOODWARD 138KV CKT 1	133	153	0.03465	126.1489	THISTLE7 345.00 - WOODWARD DISTRICT EHV 345KV CKT 2
FDNS	06ALL	4	15G	G14_033	TO->FROM	FPL SWITCH - WOODWARD 138KV CKT 1	133	153	0.03417	124.4764	FINNEY SWITCHING STATION - HOLCOMB 345KV CKT 1
FDNS	06ALL	4	15G	G14_033	TO->FROM	FPL SWITCH - WOODWARD 138KV CKT 1	133	153	0.03174	124.1911	THISTLE7 345.00 - WICHITA 345KV CKT 1
FDNS	06ALL	4	15G	G14_033	TO->FROM	FPL SWITCH - WOODWARD 138KV CKT 1	133	153	0.03174	124.1911	THISTLE7 345.00 - WICHITA 345KV CKT 2
FDNS	06ALL	4	15G	G14_033	TO->FROM	FPL SWITCH - WOODWARD 138KV CKT 1	133	153	0.03417	123.2349	SPP-SWPS-05
FDNS	06ALL	4	15G	G14_033	TO->FROM	FPL SWITCH - WOODWARD 138KV CKT 1	133	153	0.03417	123.1767	FINNEY SWITCHING STATION - Hitchland Interchange 345KV CKT 1
FDNS	06ALL	4	15G	G14_033	TO->FROM	FPL SWITCH - WOODWARD 138KV CKT 1	133	153	0.03158	120.7359	ELLIS 4 138.00 - RED HILLS WIND 138KV CKT 1
FDNS	06ALL	4	15G	G14_033	TO->FROM	FPL SWITCH - WOODWARD 138KV CKT 1	133	153	0.03158	118.208	ELLIS 4 138.00 - MOREWOOD SW 138KV CKT 1
FDNS	06ALL	4	15SP	G14_033	TO->FROM	FPL SWITCH - WOODWARD 138KV CKT 1	133	153	0.05682	111.727	DBL-THIS-WWR
FDNS	06ALL	4	15G	G14_033	TO->FROM	FPL SWITCH - WOODWARD 138KV CKT 1	133	153	0.03158	106.2134	ELK CITY - RED HILLS WIND 138KV CKT 1
FDNS	06ALL	4	15SP	G14_033	TO->FROM	FPL SWITCH - WOODWARD 138KV CKT 1	133	153	0.04847	105.3474	NORTHWEST - TATONGA7 345.00 345KV CKT 1
FDNS	06ALL	4	15SP	G14_033	TO->FROM	FPL SWITCH - WOODWARD 138KV CKT 1	133	153	0.04988	104.7642	LAWTON EASTSIDE - OKLAUNION 345KV CKT 1
FDNS	06ALL	4	15SP	G14_033	TO->FROM	FPL SWITCH - WOODWARD 138KV CKT 1	133	153	0.04847	102.5806	SPSCONT-05B
FDNS	06ALL	4	15SP	G14_033	TO->FROM	FPL SWITCH - WOODWARD 138KV CKT 1	133	153	0.04847	101.4405	SPSCONT-04
FDNS	06ALL	4	15SP	G14_033	TO->FROM	FPL SWITCH - WOODWARD 138KV CKT 1	133	153	0.04591	100.7966	DBL-THIS-WIC
FDNS	06ALL	4	15SP	G14_033	TO->FROM	FPL SWITCH - WOODWARD 138KV CKT 1	133	153	0.03516	97.7	WOODWARD (WOODWRD2) 138/69/13.2KV TRANSFORMER CKT 1
FDNS	06ALL	4	20WP	G14_033	TO->FROM	FPL SWITCH - WOODWARD 138KV CKT 1	171	185	0.05136	96.7	NORTHWEST - TATONGA7 345.00 345KV CKT 1
FDNS	06ALL	4	20WP	G14_033	TO->FROM	FPL SWITCH - WOODWARD 138KV CKT 1	171	185	0.06064	96	DBL-THIS-WWR
FDNS	06ALL	4	15G	G14_033	TO->FROM	GRAPEVINE INTERCHANGE - NICHOLS STATION 230KV CKT 1	319	351	0.10202	104.2251	LAWTON EASTSIDE - OKLAUNION 345KV CKT 1
FDNS	06ALL	4	20WP	G14_033	TO->FROM	GRAPEVINE INTERCHANGE - NICHOLS STATION 230KV CKT 1	329	361	0.1313	102.6177	LAWTON EASTSIDE - OKLAUNION 345KV CKT 1
FDNS	06ALL	4	15SP	G14_033	TO->FROM	GRAPEVINE INTERCHANGE - NICHOLS STATION 230KV CKT 1	319	351	0.10351	99.55219	LAWTON EASTSIDE - OKLAUNION 345KV CKT 1
FDNS	06ALL	4	15G	G14_033	FROM->TO	GRAPEVINE INTERCHANGE - STATELINE INTERCHANGE 230KV CKT 1	319	351	0.11358	96.19302	LAWTON EASTSIDE - OKLAUNION 345KV CKT 1
FDNS	06ALL	4	15G	G14_033	FROM->TO	HARPER - MILAN TAP 138KV CKT 1	138	143	0.03301	116.387	DBL-THIS-WIC
FDNS	06ALL	4	15SP	G14_033	FROM->TO	HARPER - MILAN TAP 138KV CKT 1	127	136	0.03323	104.4151	DBL-THIS-WIC
FDNS	06ALL	4	15WP	G14_033	FROM->TO	HARPER - MILAN TAP 138KV CKT 1	143	143	0.03325	102.7046	DBL-THIS-WIC
FDNS	06ALL	4	15SP	G14_033	FROM->TO	PLANT X STATION (WH ALM20171) 230/115/13.2KV TRANSFORMER CKT 1	252	252	0.10851	106.8107	NEWHART 230 - PLANT X STATION 230KV CKT 1
FDNS	06ALL	4	15SP	G14_033	FROM->TO	PLANT X STATION (WH ALM20171) 230/115/13.2KV TRANSFORMER CKT 1	252	252	0.07363	104.6633	LAMB COUNTY INTERCHANGE - TOLK STATION WEST 230KV CKT 1
FDNS	06ALL	4	15SP	G14_033	FROM->TO	PLANT X STATION (WH ALM20171) 230/115/13.2KV TRANSFORMER CKT 1	252	252	0.07363	104.6607	LAMB COUNTY INTERCHANGE (WH ALM20172) 230/115/13.2KV TRANSFORMER CKT 1
FDNS	06ALL	4	15SP	G14_033	FROM->TO	PLANT X STATION (WH ALM20171) 230/115/13.2KV TRANSFORMER CKT 1	252	252	0.07363	104.6607	SPP-SWPS-K37
FDNS	06ALL	4	15SP	G14_033	FROM->TO	PLANT X STATION (WH ALM20171) 230/115/13.2KV TRANSFORMER CKT 1	252	252	0.10851	104.1177	NEWHART 230 - PLANT X STATION 230KV CKT 1
FDNS	06ALL	4	15SP	G14_033	FROM->TO	PLANT X STATION (WH ALM20171) 230/115/13.2KV TRANSFORMER CKT 1	252	252	0.09183	102.241	DEAF SMITH COUNTY INTERCHANGE - PLANT X STATION 230KV CKT 1
FDNS	06ALL	4	15SP	G14_033	FROM->TO	PLANT X STATION (WH ALM20171) 230/115/13.2KV TRANSFORMER CKT 1	252	252	0.07363	102.223	LAMB COUNTY INTERCHANGE - TOLK STATION WEST 230KV CKT 1
FDNS	06ALL	4	15SP	G14_033	FROM->TO	PLANT X STATION (WH ALM20171) 230/115/13.2KV TRANSFORMER CKT 1	252	252	0.07363	102.2204	LAMB COUNTY INTERCHANGE (WH ALM20172) 230/115/13.2KV TRANSFORMER CKT 1
FDNS	06ALL	4	15SP	G14_033	FROM->TO	PLANT X STATION (WH ALM20171) 230/115/13.2KV TRANSFORMER CKT 1	252	252	0.07363	102.2204	SPP-SWPS-K37
FDNS	06ALL	4	15SP	G14_033	FROM->TO	PLANT X STATION (WH ALM20171) 230/115/13.2KV TRANSFORMER CKT 1	252	252	0.09183	99.5	DEAF SMITH COUNTY INTERCHANGE - PLANT X STATION 230KV CKT 1
FDNS	06ALL	4	15SP	G14_033	FROM->TO	PLANT X STATION (WH ALM20171) 230/115/13.2KV TRANSFORMER CKT 1	252	252	0.06413	95.4	GEN525493 1-PLANT X GEN #3
FDNS	06ALL	4	15G	G14_033	FROM->TO	POTASH JUNCTION INTERCHANGE (GE M100747) 230/115/13.2KV TRANSFORMER CKT 1	150	150	0.04764	97.8	CARLSBAD INTERCHANGE - PECOS INTERCHANGE 115KV CKT 1
FDNS	06ALL	0	25SP	G14_034	TO->FROM	CARLSBAD INTERCHANGE - PECOS INTERCHANGE 115KV CKT 1	141	141	0.06602	116.6903	HOBBS - KIOWA 7345.00 345KV CKT 1
FDNS	06ALL	0	15SP	G14_034	FROM->TO	CHAVES COUNTY INTERCHANGE - SAMSON SUB 115KV CKT 1	120	154	0.16505	102.4226	CHAVES COUNTY INTERCHANGE - URTON SUB 115KV CKT 1
FDNS	06ALL	0	15SP	G14_034	FROM->TO	CHAVES COUNTY INTERCHANGE - URTON SUB 115KV CKT 1	159	160	0.16469	99.6	CHAVES COUNTY INTERCHANGE - SAMSON SUB 115KV CKT 1
FDNS	06ALL	0	15G	G14_034	FROM->TO	CLEARWATER - GILL ENERGY CENTER WEST 138KV CKT 1	143	143	0.03309	100.5453	DBL-THIS-WIC
FDNS	06ALL	0	15G	G14_034	TO->FROM	CLEARWATER - MILAN TAP 138KV CKT 1	110	110	0.03309	140.1877	DBL-THIS-WIC
FDNS	06ALL	0	20WP	G14_034	TO->FROM	CLEARWATER - MILAN TAP 138KV CKT 1	110	110	0.03307	108.6601	DBL-THIS-WIC
FDNS	06ALL	0	15WP	G14_034	TO->FROM	CLEARWATER - MILAN TAP 138KV CKT 1	110	110	0.03333	106.268	DBL-THIS-WIC
FDNS	06ALL	0	15SP	G14_034	TO->FROM	CLEARWATER - MILAN TAP 138KV CKT 1	110	110	0.03332	100.0707	DBL-THIS-WIC
FDNS	06ALL	0	15SP	G14_034	FROM->TO	CURRY COUNTY INTERCHANGE - DEAF SMITH REC-#20 115KV CKT 1	96	96	0.08152	123.5747	DEAF SMITH COUNTY INTERCHANGE - PLANT X STATION 230KV CKT 1
FDNS	06ALL	0	20SP	G14_034	FROM->TO	CURRY COUNTY INTERCHANGE - DEAF SMITH REC-#20 115KV CKT 1	96	96	0.06685	106.7874	DEAF SMITH COUNTY INTERCHANGE - PLANT X STATION 230KV CKT 1
FDNS	06ALL	0	15SP	G14_034	FROM->TO	CURRY COUNTY INTERCHANGE - DEAF SMITH REC-#20 115KV CKT 1	96	96	0.06525	105.8568	LAWTON EASTSIDE - OKLAUNION 345KV CKT 1
FDNS	06ALL	0	15SP	G14_034	FROM->TO	CURRY COUNTY INTERCHANGE - DEAF SMITH REC-#20 115KV CKT 1	96	96	0.06569	97.6	SPP-SWPS-01
FDNS	06ALL	0	15SP	G14_034	FROM->TO	CURRY COUNTY INTERCHANGE - DEAF SMITH REC-#20 115KV CKT 1	96	96	0.06525	97.3	SPSCONT-01

SOLUTION	GROUP	SCENARIO	SEASON	SOURCE	DIRECTION	MONITORED ELEMENT	RATEA (MVA)	RATEB (MVA)	TC%LOADING TDF	(% MVA)	CONTINGENCY
FDNS	06ALL	0	15SP	G14_034	FROM->TO	CURRY COUNTY INTERCHANGE - DEAF SMITH REC-#20 115KV CKT 1	96	96	0.06525	97.2	OKLAUNION - TUCO INTERCHANGE 345KV CKT 1
FDNS	06ALL	0	15SP	G14_034	FROM->TO	CURRY COUNTY INTERCHANGE - DEAF SMITH REC-#20 115KV CKT 1	96	96	0.0671	96.1	NEWHART 230 - PLANT X STATION 230KV CKT 1
FDNS	06ALL	0	25SP	G14_034	FROM->TO	CURRY COUNTY INTERCHANGE - DEAF SMITH REC-#20 115KV CKT 1	96	96	0.06727	95.6	DEAF SMITH COUNTY INTERCHANGE - PLANT X STATION 230KV CKT 1
FDNS	06ALL	0	15SP	G14_034	TO->FROM	DEAF SMITH COUNTY INTERCHANGE - PLANT X STATION 230KV CKT 1	319	351	0.18361	109.7585	LAWTON EASTSIDE - OKLAUNION 345KV CKT 1
FDNS	06ALL	0	15SP	G14_034	TO->FROM	DEAF SMITH COUNTY INTERCHANGE - PLANT X STATION 230KV CKT 1	319	351	0.20177	97.5	NEWHART 230 - PLANT X STATION 230KV CKT 1
FDNS	06ALL	0	15SP	G14_034	TO->FROM	DEAF SMITH COUNTY INTERCHANGE - PLANT X STATION 230KV CKT 1	319	351	0.18613	96.9	SPP-SWPS-01
FDNS	06ALL	0	15SP	G14_034	TO->FROM	DEAF SMITH COUNTY INTERCHANGE - PLANT X STATION 230KV CKT 1	319	351	0.18361	96.3	SPSCONT-01
FDNS	06ALL	0	15SP	G14_034	TO->FROM	DEAF SMITH COUNTY INTERCHANGE - PLANT X STATION 230KV CKT 1	319	351	0.18361	96.1	OKLAUNION - TUCO INTERCHANGE 345KV CKT 1
FDNS	06ALL	0	15SP	G14_034	FROM->TO	DEAF SMITH REC-#20 - PARMER COUNTY SUB 115KV CKT 1	96	96	0.08152	110.3575	DEAF SMITH COUNTY INTERCHANGE - PLANT X STATION 230KV CKT 1
FDNS	06ALL	0	15SP	G14_034	TO->FROM	DEAF SMITH REC-#24 - PARMER COUNTY SUB 115KV CKT 1	96	96	0.08152	102.2169	DEAF SMITH COUNTY INTERCHANGE - PLANT X STATION 230KV CKT 1
FDNS	06ALL	0	20WP	G14_034	FROM->TO	EDDY_NORTH 6230.00 (WAUK WT01134) 230/115/13.2KV TRANSFORMER CKT 2	250	288	0.14005	103.8218	EDDY COUNTY INTERCHANGE - EDDY_NORTH 6230.00 230KV CKT @1
FDNS	06ALL	0	20WP	G14_034	FROM->TO	EDDY_NORTH 6230.00 (WAUK WT01134) 230/115/13.2KV TRANSFORMER CKT 2	250	288	0.14005	103.4874	EDDY COUNTY INTERCHANGE - EDDY_NORTH 6230.00 230KV CKT @1
FDNS	06ALL	0	25SP	G14_034	FROM->TO	EDDY_NORTH 6230.00 (WAUK WT01134) 230/115/13.2KV TRANSFORMER CKT 2	250	288	0.14094	101.6045	EDDY COUNTY INTERCHANGE - EDDY_NORTH 6230.00 230KV CKT @1
FDNS	06ALL	0	25SP	G14_034	FROM->TO	EDDY_NORTH 6230.00 (WAUK WT01134) 230/115/13.2KV TRANSFORMER CKT 2	250	288	0.14094	100.0691	EDDY COUNTY INTERCHANGE - EDDY_NORTH 6230.00 230KV CKT @1
FDNS	06ALL	0	15WP	G14_034	FROM->TO	EDDY_NORTH 6230.00 (WAUK WT01134) 230/115/13.2KV TRANSFORMER CKT 2	250	288	0.08605	97.1	EDDY COUNTY INTERCHANGE - EDDY_NORTH 6230.00 230KV CKT @1
FDNS	06ALL	0	15WP	G14_034	FROM->TO	EDDY_NORTH 6230.00 (WAUK WT01134) 230/115/13.2KV TRANSFORMER CKT 2	250	288	0.08605	97.1	EDDY COUNTY INTERCHANGE - EDDY_NORTH 6230.00 230KV CKT @1
FDNS	06ALL	0	15G	G14_034	FROM->TO	ELK CITY 230KV (ELKCTY-6) 230/138/13.8KV TRANSFORMER CKT 1	287	316	0.11406	107.0627	LAWTON EASTSIDE - OKLAUNION 345KV CKT 1
FDNS	06ALL	0	15G	G14_034	FROM->TO	ELK CITY 230KV (ELKCTY-6) 230/138/13.8KV TRANSFORMER CKT 1	287	316	0.11406	105.2129	LAWTON EASTSIDE - OKLAUNION 345KV CKT 1
FDNS	06ALL	0	15SP	G14_034	FROM->TO	ELK CITY 230KV (ELKCTY-6) 230/138/13.8KV TRANSFORMER CKT 1	272	316	0.12218	100.158	LAWTON EASTSIDE - OKLAUNION 345KV CKT 1
FDNS	06ALL	0	15WP	G14_034	FROM->TO	ELK CITY 230KV (ELKCTY-6) 230/138/13.8KV TRANSFORMER CKT 1	287	316	0.12563	100.0101	LAWTON EASTSIDE - OKLAUNION 345KV CKT 1
FDNS	06ALL	0	15SP	G14_034	FROM->TO	ELK CITY 230KV (ELKCTY-6) 230/138/13.8KV TRANSFORMER CKT 1	272	316	0.12218	98.72061	LAWTON EASTSIDE - OKLAUNION 345KV CKT 1
FDNS	06ALL	0	15WP	G14_034	FROM->TO	ELK CITY 230KV (ELKCTY-6) 230/138/13.8KV TRANSFORMER CKT 1	287	316	0.12563	98.59541	LAWTON EASTSIDE - OKLAUNION 345KV CKT 1
FDNS	06ALL	0	15G	G14_034	FROM->TO	ELK CITY 230KV (ELKCTY-6) 230/138/13.8KV TRANSFORMER CKT 1	287	316	0.10181	98.1	DBL-G1114-WW
FDNS	06ALL	0	15G	G14_034	FROM->TO	ELK CITY 230KV (ELKCTY-6) 230/138/13.8KV TRANSFORMER CKT 1	287	316	0.11406	97.8	SPSCONT-01
FDNS	06ALL	0	15G	G14_034	FROM->TO	ELK CITY 230KV (ELKCTY-6) 230/138/13.8KV TRANSFORMER CKT 1	287	316	0.11577	97.7	SPP-SWPS-01
FDNS	06ALL	0	15G	G14_034	FROM->TO	ELK CITY 230KV (ELKCTY-6) 230/138/13.8KV TRANSFORMER CKT 1	287	316	0.10181	96.9	DBL-BVR-G111
FDNS	06ALL	0	15G	G14_034	FROM->TO	ELK CITY 230KV (ELKCTY-6) 230/138/13.8KV TRANSFORMER CKT 1	287	316	0.10181	96.8	DBL-G1114-WW
FDNS	06ALL	0	15G	G14_034	FROM->TO	ELK CITY 230KV (ELKCTY-6) 230/138/13.8KV TRANSFORMER CKT 1	287	316	0.11406	96.7	SPSCONT-01
FDNS	06ALL	0	15G	G14_034	FROM->TO	ELK CITY 230KV (ELKCTY-6) 230/138/13.8KV TRANSFORMER CKT 1	287	316	0.11577	96.6	SPP-SWPS-01
FDNS	06ALL	0	15G	G14_034	FROM->TO	ELK CITY 230KV (ELKCTY-6) 230/138/13.8KV TRANSFORMER CKT 1	287	316	0.11406	96.5	OKLAUNION - TUCO INTERCHANGE 345KV CKT 1
FDNS	06ALL	0	15G	G14_034	FROM->TO	ELK CITY 230KV (ELKCTY-6) 230/138/13.8KV TRANSFORMER CKT 1	287	316	0.10181	95.7	DBL-BVR-G111
FDNS	06ALL	0	15G	G14_034	FROM->TO	ELK CITY 230KV (ELKCTY-6) 230/138/13.8KV TRANSFORMER CKT 1	287	316	0.11406	95.3	OKLAUNION - TUCO INTERCHANGE 345KV CKT 1
FDNS	06ALL	0	15SP	G14_034	TO->FROM	FLATRDG3 - THISTLE4 138.00 138KV CKT 1	286	286	0.04795	98.2	DBL-THIS-WIC
FDNS	06ALL	0	15G	G14_034	TO->FROM	FPL SWITCH - WOODWARD 138KV CKT 1	133	153	0.04553	161.177	NORTHWEST - TATONGA7 345.00 345KV CKT 1
FDNS	06ALL	0	15G	G14_034	TO->FROM	FPL SWITCH - WOODWARD 138KV CKT 1	133	153	0.05349	159.4244	DBL-THIS-WWR
FDNS	06ALL	0	15G	G14_034	TO->FROM	FPL SWITCH - WOODWARD 138KV CKT 1	133	153	0.04553	157.7992	SPSCONT-05B
FDNS	06ALL	0	15G	G14_034	TO->FROM	FPL SWITCH - WOODWARD 138KV CKT 1	133	153	0.04553	157.271	SPSCONT-04
FDNS	06ALL	0	15G	G14_034	TO->FROM	FPL SWITCH - WOODWARD 138KV CKT 1	133	153	0.04297	154.1519	DBL-THIS-WIC
FDNS	06ALL	0	15G	G14_034	TO->FROM	FPL SWITCH - WOODWARD 138KV CKT 1	133	153	0.04666	152.6111	LAWTON EASTSIDE - OKLAUNION 345KV CKT 1
FDNSLock	06ALL	0	15G	G14_034	TO->FROM	FPL SWITCH - WOODWARD 138KV CKT 1	133	153	0.04553	147.3779	G11_051T 345.00 - TATONGA7 345.00 345KV CKT 1
FDNS	06ALL	0	15G	G14_034	TO->FROM	FPL SWITCH - WOODWARD 138KV CKT 1	133	153	0.04553	146.4061	G11_051T 345.00 - WOODWARD DISTRICT EHV 345KV CKT 1
FDNS	06ALL	0	15G	G14_034	TO->FROM	FPL SWITCH - WOODWARD 138KV CKT 1	133	153	0.03181	143.416	WOODWARD (WOODWRD2) 138/69/13.2KV TRANSFORMER CKT 1
FDNS	06ALL	0	15G	G14_034	TO->FROM	FPL SWITCH - WOODWARD 138KV CKT 1	133	153	0.04553	143.1258	SPSCONT-05AX
FDNS	06ALL	0	15G	G14_034	TO->FROM	FPL SWITCH - WOODWARD 138KV CKT 1	133	153	0.04191	142.5155	ELK CITY 230KV - SWEETWATER 230KV CKT 1
FDNS	06ALL	0	15G	G14_034	TO->FROM	FPL SWITCH - WOODWARD 138KV CKT 1	133	153	0.04191	142.4842	ELK CITY 230KV (ELKCTY-6) 230/138/13.8KV TRANSFORMER CKT 1
FDNS	06ALL	0	15G	G14_034	TO->FROM	FPL SWITCH - WOODWARD 138KV CKT 1	133	153	0.04666	141.4059	SPSCONT-01
FDNS	06ALL	0	15G	G14_034	TO->FROM	FPL SWITCH - WOODWARD 138KV CKT 1	133	153	0.04213	140.0428	SPP-SWPS-03
FDNS	06ALL	0	15G	G14_034	TO->FROM	FPL SWITCH - WOODWARD 138KV CKT 1	133	153	0.04666	139.1883	OKLAUNION - TUCO INTERCHANGE 345KV CKT 1
FDNS	06ALL	0	15G	G14_034	TO->FROM	FPL SWITCH - WOODWARD 138KV CKT 1	133	153	0.04191	138.8333	SPP-SWPS-02A
FDNS	06ALL	0	15G	G14_034	TO->FROM	FPL SWITCH - WOODWARD 138KV CKT 1	133	153	0.04191	138.6923	GRAPEVINE INTERCHANGE - STATELINE INTERCHANGE 230KV CKT 1
FDNS	06ALL	0	15G	G14_034	TO->FROM	FPL SWITCH - WOODWARD 138KV CKT 1	133	153	0.04608	138.6877	SPP-SWPS-01
FDNS	06ALL	0	15G	G14_034	TO->FROM	FPL SWITCH - WOODWARD 138KV CKT 1	133	153	0.03383	137.3732	IODINE - WOODWARD EHV 138KV CKT 1
FDNS	06ALL	0	15G	G14_034	TO->FROM	FPL SWITCH - WOODWARD 138KV CKT 1	133	153	0.03383	135.335	DEWEY - IODINE 138KV CKT 1
FDNS	06ALL	0	15G	G14_034	TO->FROM	FPL SWITCH - WOODWARD 138KV CKT 1	133	153	0.04191	133.3058	STATELINE INTERCHANGE - STLN-DEMARC6 230KV CKT 1
FDNS	06ALL	0	15G	G14_034	TO->FROM	FPL SWITCH - WOODWARD 138KV CKT 1	133	153	0.04191	133.0811	SPP-SWPS-02
FDNS	06ALL	0	15G	G14_034	TO->FROM	FPL SWITCH - WOODWARD 138KV CKT 1	133	153	0.04191	133.0154	STLN-DEMARC6 - SWEETWATER 230KV CKT 1
FDNS	06ALL	0	15G	G14_034	TO->FROM	FPL SWITCH - WOODWARD 138KV CKT 1	133	153	0.03448	130.54	GRAPEVINE INTERCHANGE - NICHOLS STATION 230KV CKT 1
FDNS	06ALL	0	15G	G14_034	TO->FROM	FPL SWITCH - WOODWARD 138KV CKT 1	133	153	0.03181	130.0405	WOODWARD - WOODWARD 69KV CKT 1
FDNS	06ALL	0	15G	G14_034	TO->FROM	FPL SWITCH - WOODWARD 138KV CKT 1	133	153	0.03456	126.126	THISTLE7 345.00 - WOODWARD DISTRICT EHV 345KV CKT 1
FDNS	06ALL	0	15G	G14_034	TO->FROM	FPL SWITCH - WOODWARD 138KV CKT 1	133	153	0.03456	126.126	THISTLE7 345.00 - WOODWARD DISTRICT EHV 345KV CKT 2
FDNS	06ALL	0	15G	G14_034	TO->FROM	FPL SWITCH - WOODWARD 138KV CKT 1	133	153	0.03415	124.5649	FINNEY SWITCHING STATION - HOLCOMB 345KV CKT 1
FDNS	06ALL	0	15G	G14_034	TO->FROM	FPL SWITCH - WOODWARD 138KV CKT 1	133	153	0.03166	124.1871	THISTLE7 345.00 - WICHITA 345KV CKT 1
FDNS	06ALL	0	15G	G14_034	TO->FROM	FPL SWITCH - WOODWARD 138KV CKT 1	133	153	0.03166	124.1871	THISTLE7 345.00 - WICHITA 345KV CKT 2
FDNS	06ALL	0	15G	G14_034	TO->FROM	FPL SWITCH - WOODWARD 138KV CKT 1	133	153	0.03415	123.3196	SPP-SWPS-05
FDNS	06ALL	0	15G	G14_034	TO->FROM	FPL SWITCH - WOODWARD 138KV CKT 1	133	153	0.03415	123.2614	FINNEY SWITCHING STATION - Hitchland Interchange 345KV CKT 1
FDNS	06ALL	0	15G	G14_034	TO->FROM	FPL SWITCH - WOODWARD 138KV CKT 1	133	153	0.03156	120.7972	ELLIS 4 138.00 - RED HILLS WIND 138KV CKT 1
FDNS	06ALL	0	15G	G14_034	TO->FROM	FPL SWITCH - WOODWARD 138KV CKT 1	133	153	0.03156	118.2357	ELLIS 4 138.00 - MOREWOOD SW 138KV CKT 1
FDNS	06ALL	0	15SP	G14_034	TO->FROM	FPL SWITCH - WOODWARD 138KV CKT 1	133	153	0.0567	111.3808	DBL-THIS-WWR
FDNSLock	06ALL	0	15G	G14_034	TO->FROM	FPL SWITCH - WOODWARD 138KV CKT 1	133	153	0.03156	105.8896	ELK CITY - RED HILLS WIND 138KV CKT 1
FDNS	06ALL	0	15SP	G14_034	TO->FROM	FPL SWITCH - WOODWARD 138KV CKT 1	133	153	0.04844	105.3952	NORTHWEST - TATONGA7 345.00 345KV CKT 1
FDNS	06ALL	0	15SP	G14_034	TO->FROM	FPL SWITCH - WOODWARD 138KV CKT 1	133	153	0.04963	104.8311	LAWTON EASTSIDE - OKLAUNION 345KV CKT 1
FDNS	06ALL	0	15SP	G14_034	TO->FROM	FPL SWITCH - WOODWARD 138KV CKT 1	133	153	0.04844	102.6277	SPSCONT-05B

SOLUTION	GROUP	SCENARIO	SEASON	SOURCE	DIRECTION	MONITORED ELEMENT	RATEA (MVA)	RATEB(MVA)	TDF	TC%LOADING (% MVA)	CONTINGENCY
FDNS	06ALL	0	15SP	G14_034	TO->FROM	FPL SWITCH - WOODWARD 138KV CKT 1	133	153	0.04844	101.4863	SPSCONT-04
FDNS	06ALL	0	15SP	G14_034	TO->FROM	FPL SWITCH - WOODWARD 138KV CKT 1	133	153	0.04587	100.8287	DBL-THIS-WIC
FDNS	06ALL	0	15SP	G14_034	TO->FROM	FPL SWITCH - WOODWARD 138KV CKT 1	133	153	0.03508	97.7	WOODWARD (WOODWRD2) 138/69/13.2KV TRANSFORMER CKT 1
FDNS	06ALL	0	20WP	G14_034	TO->FROM	FPL SWITCH - WOODWARD 138KV CKT 1	171	185	0.05133	96.8	NORTHWEST - TATONGA7 345.00 345KV CKT 1
FDNS	06ALL	0	20WP	G14_034	TO->FROM	FPL SWITCH - WOODWARD 138KV CKT 1	171	185	0.06057	96	DBL-THIS-WWR
FDNS	06ALL	0	15G	G14_034	TO->FROM	GRAPEVINE INTERCHANGE - NICHOLS STATION 230KV CKT 1	319	351	0.10244	104.4035	LAWTON EASTSIDE - OKLAUNION 345KV CKT 1
FDNS	06ALL	0	20WP	G14_034	TO->FROM	GRAPEVINE INTERCHANGE - NICHOLS STATION 230KV CKT 1	329	361	0.13132	102.8268	LAWTON EASTSIDE - OKLAUNION 345KV CKT 1
FDNS	06ALL	0	15SP	G14_034	TO->FROM	GRAPEVINE INTERCHANGE - NICHOLS STATION 230KV CKT 1	319	351	0.10399	99.65252	LAWTON EASTSIDE - OKLAUNION 345KV CKT 1
FDNS	06ALL	0	15G	G14_034	FROM->TO	GRAPEVINE INTERCHANGE - STATELINE INTERCHANGE 230KV CKT 1	319	351	0.11406	96.46441	LAWTON EASTSIDE - OKLAUNION 345KV CKT 1
FDNS	06ALL	0	15G	G14_034	FROM->TO	HARPER - MILAN TAP 138KV CKT 1	138	143	0.03309	116.5991	DBL-THIS-WIC
FDNS	06ALL	0	15SP	G14_034	FROM->TO	HARPER - MILAN TAP 138KV CKT 1	127	136	0.03332	104.5127	DBL-THIS-WIC
FDNS	06ALL	0	15WP	G14_034	FROM->TO	HARPER - MILAN TAP 138KV CKT 1	143	143	0.03333	102.8215	DBL-THIS-WIC
FDNS	06ALL	0	15G	G14_034	TO->FROM	PLANT X STATION - TOLK STATION EAST 230KV CKT 2	478	502	0.05097	108.0605	SPP-SWPS-06
FDNS	06ALL	0	15WP	G14_034	TO->FROM	PLANT X STATION - TOLK STATION EAST 230KV CKT 2	557	557	0.36055	99.8	PLANT X STATION - TOLK STATION WEST 230KV CKT 1
FDNS	06ALL	0	20SP	G14_034	TO->FROM	PLANT X STATION - TOLK STATION EAST 230KV CKT 2	478	502	0.29787	96.1	PLANT X STATION - TOLK STATION WEST 230KV CKT 1
FDNS	06ALL	0	20SP	G14_034	TO->FROM	PLANT X STATION - TOLK STATION WEST 230KV CKT 1	478	502	0.30062	96.8	PLANT X STATION - TOLK STATION EAST 230KV CKT 2
FDNS	06ALL	0	15SP	G14_034	FROM->TO	PLANT X STATION (WH ALM20171) 230/115/13.2KV TRANSFORMER CKT 1	252	252	0.10825	106.868	NEWHART 230 - PLANT X STATION 230KV CKT 1
FDNS	06ALL	0	15SP	G14_034	FROM->TO	PLANT X STATION (WH ALM20171) 230/115/13.2KV TRANSFORMER CKT 1	252	252	0.07352	104.7391	SPP-SWPS-K37
FDNS	06ALL	0	15SP	G14_034	FROM->TO	PLANT X STATION (WH ALM20171) 230/115/13.2KV TRANSFORMER CKT 1	252	252	0.07352	104.739	LAMB COUNTY INTERCHANGE (WH ALM20172) 230/115/13.2KV TRANSFORMER CKT 1
FDNS	06ALL	0	15SP	G14_034	FROM->TO	PLANT X STATION (WH ALM20171) 230/115/13.2KV TRANSFORMER CKT 1	252	252	0.07352	104.7164	LAMB COUNTY INTERCHANGE - TOLK STATION WEST 230KV CKT 1
FDNS	06ALL	0	15SP	G14_034	FROM->TO	PLANT X STATION (WH ALM20171) 230/115/13.2KV TRANSFORMER CKT 1	252	252	0.10825	104.1846	NEWHART 230 - PLANT X STATION 230KV CKT 1
FDNS	06ALL	0	15SP	G14_034	FROM->TO	PLANT X STATION (WH ALM20171) 230/115/13.2KV TRANSFORMER CKT 1	252	252	0.09193	102.4562	DEAF SMITH COUNTY INTERCHANGE - PLANT X STATION 230KV CKT 1
FDNS	06ALL	0	15SP	G14_034	FROM->TO	PLANT X STATION (WH ALM20171) 230/115/13.2KV TRANSFORMER CKT 1	252	252	0.07352	102.3057	SPP-SWPS-K37
FDNS	06ALL	0	15SP	G14_034	FROM->TO	PLANT X STATION (WH ALM20171) 230/115/13.2KV TRANSFORMER CKT 1	252	252	0.07352	102.3056	LAMB COUNTY INTERCHANGE (WH ALM20172) 230/115/13.2KV TRANSFORMER CKT 1
FDNS	06ALL	0	15SP	G14_034	FROM->TO	PLANT X STATION (WH ALM20171) 230/115/13.2KV TRANSFORMER CKT 1	252	252	0.07352	102.2824	LAMB COUNTY INTERCHANGE - TOLK STATION WEST 230KV CKT 1
FDNS	06ALL	0	15SP	G14_034	FROM->TO	PLANT X STATION (WH ALM20171) 230/115/13.2KV TRANSFORMER CKT 1	252	252	0.09193	99.7	DEAF SMITH COUNTY INTERCHANGE - PLANT X STATION 230KV CKT 1
FDNS	06ALL	0	15SP	G14_034	FROM->TO	PLANT X STATION (WH ALM20171) 230/115/13.2KV TRANSFORMER CKT 1	252	252	0.06402	95.5	GEN525493 1-PLANT X GEN #3
FDNS	06ALL	0	15G	G14_034	FROM->TO	POTASH JUNCTION INTERCHANGE (GE M100747) 230/115/13.2KV TRANSFORMER CKT 1	150	150	0.04472	99.9	CARLSBAD INTERCHANGE - PECOS INTERCHANGE 115KV CKT 1
FDNS	06ALL	0	15G	G14_034	FROM->TO	POTASH JUNCTION INTERCHANGE (GE M100747) 230/115/13.2KV TRANSFORMER CKT 1	150	150	0.04472	96	CARLSBAD INTERCHANGE - PECOS INTERCHANGE 115KV CKT 1
FDNS	06ALL	0	20WP	G14_034	FROM->TO	TUCO INTERCHANGE (GE M1022338) 345/230/13.2KV TRANSFORMER CKT 1	560	560	0.19479	106.7638	TUCO INTERCHANGE (SIEM 8743066) 345/230/13.2KV TRANSFORMER CKT 2
FDNS	06ALL	0	20WP	G14_034	FROM->TO	TUCO INTERCHANGE (GE M1022338) 345/230/13.2KV TRANSFORMER CKT 1	560	560	0.19479	104.8093	TUCO INTERCHANGE (SIEM 8743066) 345/230/13.2KV TRANSFORMER CKT 2
FDNS	06ALL	2	25SP	G14_034	TO->FROM	CARLSBAD INTERCHANGE - PECOS INTERCHANGE 115KV CKT 1	141	141	0.06588	116.6872	HOBBS - KIOWA 7345.00 345KV CKT 1
FDNS	06ALL	2	15SP	G14_034	FROM->TO	CHAVES COUNTY INTERCHANGE - SAMSON SUB 115KV CKT 1	120	154	0.16506	102.4266	CHAVES COUNTY INTERCHANGE - URTON SUB 115KV CKT 1
FDNS	06ALL	2	15SP	G14_034	FROM->TO	CHAVES COUNTY INTERCHANGE - URTON SUB 115KV CKT 1	159	160	0.1647	99.6	CHAVES COUNTY INTERCHANGE - SAMSON SUB 115KV CKT 1
FDNS	06ALL	2	15G	G14_034	FROM->TO	CLEARWATER - GILL ENERGY CENTER WEST 138KV CKT 1	143	143	0.03297	100.3876	DBL-THIS-WIC
FDNS	06ALL	2	15G	G14_034	TO->FROM	CLEARWATER - MILAN TAP 138KV CKT 1	110	110	0.03297	139.9774	DBL-THIS-WIC
FDNS	06ALL	2	20WP	G14_034	TO->FROM	CLEARWATER - MILAN TAP 138KV CKT 1	110	110	0.03303	108.5614	DBL-THIS-WIC
FDNS	06ALL	2	15WP	G14_034	TO->FROM	CLEARWATER - MILAN TAP 138KV CKT 1	110	110	0.03322	106.1489	DBL-THIS-WIC
FDNS	06ALL	2	15SP	G14_034	TO->FROM	CLEARWATER - MILAN TAP 138KV CKT 1	110	110	0.03321	100	DBL-THIS-WIC
FDNS	06ALL	2	15SP	G14_034	FROM->TO	CURRY COUNTY INTERCHANGE - DEAF SMITH REC-#20 115KV CKT 1	96	96	0.08115	123.1635	DEAF SMITH COUNTY INTERCHANGE - PLANT X STATION 230KV CKT 1
FDNS	06ALL	2	20SP	G14_034	FROM->TO	CURRY COUNTY INTERCHANGE - DEAF SMITH REC-#20 115KV CKT 1	96	96	0.06681	106.7095	DEAF SMITH COUNTY INTERCHANGE - PLANT X STATION 230KV CKT 1
FDNS	06ALL	2	15SP	G14_034	FROM->TO	CURRY COUNTY INTERCHANGE - DEAF SMITH REC-#20 115KV CKT 1	96	96	0.06519	105.7855	LAWTON EASTSIDE - OKLAUNION 345KV CKT 1
FDNS	06ALL	2	15SP	G14_034	FROM->TO	CURRY COUNTY INTERCHANGE - DEAF SMITH REC-#20 115KV CKT 1	96	96	0.06539	97.4	SPP-SWPS-01
FDNS	06ALL	2	15SP	G14_034	FROM->TO	CURRY COUNTY INTERCHANGE - DEAF SMITH REC-#20 115KV CKT 1	96	96	0.06519	97.2	SPSCONT-01
FDNS	06ALL	2	15SP	G14_034	FROM->TO	CURRY COUNTY INTERCHANGE - DEAF SMITH REC-#20 115KV CKT 1	96	96	0.06519	97.1	OKLAUNION - TUCO INTERCHANGE 345KV CKT 1
FDNS	06ALL	2	15SP	G14_034	FROM->TO	CURRY COUNTY INTERCHANGE - DEAF SMITH REC-#20 115KV CKT 1	96	96	0.06695	95.9	NEWHART 230 - PLANT X STATION 230KV CKT 1
FDNS	06ALL	2	25SP	G14_034	FROM->TO	CURRY COUNTY INTERCHANGE - DEAF SMITH REC-#20 115KV CKT 1	96	96	0.06722	95.5	DEAF SMITH COUNTY INTERCHANGE - PLANT X STATION 230KV CKT 1
FDNS	06ALL	2	15SP	G14_034	TO->FROM	DEAF SMITH COUNTY INTERCHANGE - PLANT X STATION 230KV CKT 1	319	351	0.18314	109.6348	LAWTON EASTSIDE - OKLAUNION 345KV CKT 1
FDNS	06ALL	2	15SP	G14_034	TO->FROM	DEAF SMITH COUNTY INTERCHANGE - PLANT X STATION 230KV CKT 1	319	351	0.20074	97.1	NEWHART 230 - PLANT X STATION 230KV CKT 1
FDNS	06ALL	2	15SP	G14_034	TO->FROM	DEAF SMITH COUNTY INTERCHANGE - PLANT X STATION 230KV CKT 1	319	351	0.18425	96.4	SPP-SWPS-01
FDNS	06ALL	2	15SP	G14_034	TO->FROM	DEAF SMITH COUNTY INTERCHANGE - PLANT X STATION 230KV CKT 1	319	351	0.18314	96.1	SPSCONT-01
FDNS	06ALL	2	15SP	G14_034	TO->FROM	DEAF SMITH COUNTY INTERCHANGE - PLANT X STATION 230KV CKT 1	319	351	0.18314	96	OKLAUNION - TUCO INTERCHANGE 345KV CKT 1
FDNS	06ALL	2	15SP	G14_034	FROM->TO	DEAF SMITH REC-#20 - PARMER COUNTY SUB 115KV CKT 1	96	96	0.08115	109.9541	DEAF SMITH COUNTY INTERCHANGE - PLANT X STATION 230KV CKT 1
FDNS	06ALL	2	15SP	G14_034	TO->FROM	DEAF SMITH REC-#24 - PARMER COUNTY SUB 115KV CKT 1	96	96	0.08115	101.8097	DEAF SMITH COUNTY INTERCHANGE - PLANT X STATION 230KV CKT 1
FDNS	06ALL	2	20WP	G14_034	FROM->TO	EDDY_NORTH 6230.00 (WAUK WT01134) 230/115/13.2KV TRANSFORMER CKT 2	250	288	0.13936	103.1673	EDDY COUNTY INTERCHANGE - EDDY_NORTH 6230.00 230KV CKT @1
FDNS	06ALL	2	20WP	G14_034	FROM->TO	EDDY_NORTH 6230.00 (WAUK WT01134) 230/115/13.2KV TRANSFORMER CKT 2	250	288	0.13936	102.8177	EDDY COUNTY INTERCHANGE - EDDY_NORTH 6230.00 230KV CKT @1
FDNS	06ALL	2	25SP	G14_034	FROM->TO	EDDY_NORTH 6230.00 (WAUK WT01134) 230/115/13.2KV TRANSFORMER CKT 2	250	288	0.14024	101.5495	EDDY COUNTY INTERCHANGE - EDDY_NORTH 6230.00 230KV CKT @1
FDNS	06ALL	2	25SP	G14_034	FROM->TO	EDDY_NORTH 6230.00 (WAUK WT01134) 230/115/13.2KV TRANSFORMER CKT 2	250	288	0.14024	100	EDDY COUNTY INTERCHANGE - EDDY_NORTH 6230.00 230KV CKT @1
FDNS	06ALL	2	15WP	G14_034	FROM->TO	EDDY_NORTH 6230.00 (WAUK WT01134) 230/115/13.2KV TRANSFORMER CKT 2	250	288	0.08609	97.1	EDDY COUNTY INTERCHANGE - EDDY_NORTH 6230.00 230KV CKT @1
FDNS	06ALL	2	15WP	G14_034	FROM->TO	EDDY_NORTH 6230.00 (WAUK WT01134) 230/115/13.2KV TRANSFORMER CKT 2	250	288	0.08609	97.1	EDDY COUNTY INTERCHANGE - EDDY_NORTH 6230.00 230KV CKT @1
FDNS	06ALL	2	15G	G14_034	FROM->TO	ELK CITY 230KV (ELKCTY-6) 230/138/13.8KV TRANSFORMER CKT 1	287	316	0.11345	106.8055	LAWTON EASTSIDE - OKLAUNION 345KV CKT 1
FDNS	06ALL	2	15G	G14_034	FROM->TO	ELK CITY 230KV (ELKCTY-6) 230/138/13.8KV TRANSFORMER CKT 1	287	316	0.11345	104.9756	LAWTON EASTSIDE - OKLAUNION 345KV CKT 1
FDNS	06ALL	2	15SP	G14_034	FROM->TO	ELK CITY 230KV (ELKCTY-6) 230/138/13.8KV TRANSFORMER CKT 1	272	316	0.12154	100.0284	LAWTON EASTSIDE - OKLAUNION 345KV CKT 1
FDNS	06ALL	2	15WP	G14_034	FROM->TO	ELK CITY 230KV (ELKCTY-6) 230/138/13.8KV TRANSFORMER CKT 1	287	316	0.12497	99.83074	LAWTON EASTSIDE - OKLAUNION 345KV CKT 1
FDNS	06ALL	2	15SP	G14_034	FROM->TO	ELK CITY 230KV (ELKCTY-6) 230/138/13.8KV TRANSFORMER CKT 1	272	316	0.12154	98.59394	LAWTON EASTSIDE - OKLAUNION 345KV CKT 1
FDNS	06ALL	2	15WP	G14_034	FROM->TO	ELK CITY 230KV (ELKCTY-6) 230/138/13.8KV TRANSFORMER CKT 1	287	316	0.12497	98.42802	LAWTON EASTSIDE - OKLAUNION 345KV CKT 1
FDNS	06ALL	2	15G	G14_034	FROM->TO	ELK CITY 230KV (ELKCTY-6) 230/138/13.8KV TRANSFORMER CKT 1	287	316	0.11345	97.6	SPSCONT-01
FDNS	06ALL	2	15G	G14_034	FROM->TO	ELK CITY 230KV (ELKCTY-6) 230/138/13.8KV TRANSFORMER CKT 1	287	316	0.09945	96.8	DBL-G1114-WW
FDNS	06ALL	2	15G	G14_034	FROM->TO	ELK CITY 230KV (ELKCTY-6) 230/138/13.8KV TRANSFORMER CKT 1	287	316	0.11404	96.7	SPP-SWPS-01
FDNS	06ALL	2	15G	G14_034	FROM->TO	ELK CITY 230KV (ELKCTY-6) 230/138/13.8KV TRANSFORMER CKT 1	287	316	0.11345	96.5	SPSCONT-01
FDNS	06ALL	2	15G	G14_034	FROM->TO	ELK CITY 230KV (ELKCTY-6) 230/138/13.8KV TRANSFORMER CKT 1	287	316	0.11345	96.2	OKLAUNION - TUCO INTERCHANGE 345KV CKT 1
FDNS	06ALL	2	15G	G14_034	FROM->TO	ELK CITY 230KV (ELKCTY-6) 230/138/13.8KV TRANSFORMER CKT 1	287	316	0.11404	95.7	SPP-SWPS-01

SOLUTION	GROUP	SCENARIO	SEASON	SOURCE	DIRECTION	MONITORED ELEMENT	RATEA (MVA)	RATEB(MVA)	TC%LOADING TDF (% MVA)	CONTINGENCY	
FDNS	06ALL	2	15G	G14_034	FROM->TO	ELK CITY 230KV (ELKCTY-6) 230/138/13.8KV TRANSFORMER CKT 1	287	316	0.09945	95.6	DBL-G1114-WW
FDNS	06ALL	2	15G	G14_034	FROM->TO	ELK CITY 230KV (ELKCTY-6) 230/138/13.8KV TRANSFORMER CKT 1	287	316	0.09945	95.5	DBL-BVR-G111
FDNS	06ALL	2	15G	G14_034	FROM->TO	ELK CITY 230KV (ELKCTY-6) 230/138/13.8KV TRANSFORMER CKT 1	287	316	0.11345	95.1	OKLAUNION - TUCO INTERCHANGE 345KV CKT 1
FDNS	06ALL	2	15SP	G14_034	TO->FROM	FLATRDG3 - THISTLE4 138.00 138KV CKT 1	286	286	0.04785	98.1	DBL-THIS-WIC
FDNS	06ALL	2	15G	G14_034	TO->FROM	FPL SWITCH - WOODWARD 138KV CKT 1	133	153	0.0455	161.0764	NORTHWEST - TATONGA7 345.00 345KV CKT 1
FDNS	06ALL	2	15G	G14_034	TO->FROM	FPL SWITCH - WOODWARD 138KV CKT 1	133	153	0.05355	159.4718	DBL-THIS-WWR
FDNS	06ALL	2	15G	G14_034	TO->FROM	FPL SWITCH - WOODWARD 138KV CKT 1	133	153	0.0455	157.784	SPSCONT-05B
FDNS	06ALL	2	15G	G14_034	TO->FROM	FPL SWITCH - WOODWARD 138KV CKT 1	133	153	0.0455	157.1004	SPSCONT-04
FDNS	06ALL	2	15G	G14_034	TO->FROM	FPL SWITCH - WOODWARD 138KV CKT 1	133	153	0.04297	154.0923	DBL-THIS-WIC
FDNS	06ALL	2	15G	G14_034	TO->FROM	FPL SWITCH - WOODWARD 138KV CKT 1	133	153	0.04686	152.7189	LAWTON EASTSIDE - OKLAUNION 345KV CKT 1
FDNS	06ALL	2	15G	G14_034	TO->FROM	FPL SWITCH - WOODWARD 138KV CKT 1	133	153	0.0455	147.5378	G11_051T 345.00 - TATONGA7 345.00 345KV CKT 1
FDNS	06ALL	2	15G	G14_034	TO->FROM	FPL SWITCH - WOODWARD 138KV CKT 1	133	153	0.0455	146.3224	G11_051T 345.00 - WOODWARD DISTRICT EHV 345KV CKT 1
FDNS	06ALL	2	15G	G14_034	TO->FROM	FPL SWITCH - WOODWARD 138KV CKT 1	133	153	0.03185	143.4813	WOODWARD (WOODWRD2) 138/69/13.2KV TRANSFORMER CKT 1
FDNS	06ALL	2	15G	G14_034	TO->FROM	FPL SWITCH - WOODWARD 138KV CKT 1	133	153	0.0455	143.1119	SPSCONT-05AX
FDNS	06ALL	2	15G	G14_034	TO->FROM	FPL SWITCH - WOODWARD 138KV CKT 1	133	153	0.04168	142.197	ELK CITY 230KV - SWEETWATER 230KV CKT 1
FDNS	06ALL	2	15G	G14_034	TO->FROM	FPL SWITCH - WOODWARD 138KV CKT 1	133	153	0.04168	142.1652	ELK CITY 230KV (ELKCTY-6) 230/138/13.8KV TRANSFORMER CKT 1
FDNS	06ALL	2	15G	G14_034	TO->FROM	FPL SWITCH - WOODWARD 138KV CKT 1	133	153	0.04686	141.5791	SPSCONT-01
FDNS	06ALL	2	15G	G14_034	TO->FROM	FPL SWITCH - WOODWARD 138KV CKT 1	133	153	0.0419	139.7583	SPP-SWPS-03
FDNS	06ALL	2	15G	G14_034	TO->FROM	FPL SWITCH - WOODWARD 138KV CKT 1	133	153	0.04686	139.3711	OKLAUNION - TUCO INTERCHANGE 345KV CKT 1
FDNS	06ALL	2	15G	G14_034	TO->FROM	FPL SWITCH - WOODWARD 138KV CKT 1	133	153	0.04667	139.1429	SPP-SWPS-01
FDNS	06ALL	2	15G	G14_034	TO->FROM	FPL SWITCH - WOODWARD 138KV CKT 1	133	153	0.04168	138.6541	SPP-SWPS-02A
FDNS	06ALL	2	15G	G14_034	TO->FROM	FPL SWITCH - WOODWARD 138KV CKT 1	133	153	0.04168	138.3635	GRAPEVINE INTERCHANGE - STATELINE INTERCHANGE 230KV CKT 1
FDNSLock	06ALL	2	15G	G14_034	TO->FROM	FPL SWITCH - WOODWARD 138KV CKT 1	133	153	0.03386	137.0502	IODINE - WOODWARD EHV 138KV CKT 1
FDNS	06ALL	2	15G	G14_034	TO->FROM	FPL SWITCH - WOODWARD 138KV CKT 1	133	153	0.03386	135.4149	DEWEY - IODINE 138KV CKT 1
FDNS	06ALL	2	15G	G14_034	TO->FROM	FPL SWITCH - WOODWARD 138KV CKT 1	133	153	0.04168	132.7991	STATELINE INTERCHANGE - STLN-DEMARC6 230KV CKT 1
FDNS	06ALL	2	15G	G14_034	TO->FROM	FPL SWITCH - WOODWARD 138KV CKT 1	133	153	0.04168	132.7953	SPP-SWPS-02
FDNS	06ALL	2	15G	G14_034	TO->FROM	FPL SWITCH - WOODWARD 138KV CKT 1	133	153	0.04168	132.7834	STLN-DEMARC6 - SWEETWATER 230KV CKT 1
FDNS	06ALL	2	15G	G14_034	TO->FROM	FPL SWITCH - WOODWARD 138KV CKT 1	133	153	0.0344	130.4683	GRAPEVINE INTERCHANGE - NICHOLS STATION 230KV CKT 1
FDNS	06ALL	2	15G	G14_034	TO->FROM	FPL SWITCH - WOODWARD 138KV CKT 1	133	153	0.03185	130.1106	WOODWARD - WOODWARD 69KV CKT 1
FDNS	06ALL	2	15G	G14_034	TO->FROM	FPL SWITCH - WOODWARD 138KV CKT 1	133	153	0.03461	126.1934	THISTLE7 345.00 - WOODWARD DISTRICT EHV 345KV CKT 1
FDNS	06ALL	2	15G	G14_034	TO->FROM	FPL SWITCH - WOODWARD 138KV CKT 1	133	153	0.03461	126.1934	THISTLE7 345.00 - WOODWARD DISTRICT EHV 345KV CKT 2
FDNS	06ALL	2	15G	G14_034	TO->FROM	FPL SWITCH - WOODWARD 138KV CKT 1	133	153	0.03413	124.5364	FINNEY SWITCHING STATION - HOLCOMB 345KV CKT 1
FDNS	06ALL	2	15G	G14_034	TO->FROM	FPL SWITCH - WOODWARD 138KV CKT 1	133	153	0.0317	124.2225	THISTLE7 345.00 - WICHITA 345KV CKT 1
FDNS	06ALL	2	15G	G14_034	TO->FROM	FPL SWITCH - WOODWARD 138KV CKT 1	133	153	0.0317	124.2225	THISTLE7 345.00 - WICHITA 345KV CKT 2
FDNS	06ALL	2	15G	G14_034	TO->FROM	FPL SWITCH - WOODWARD 138KV CKT 1	133	153	0.03413	123.294	SPP-SWPS-05
FDNS	06ALL	2	15G	G14_034	TO->FROM	FPL SWITCH - WOODWARD 138KV CKT 1	133	153	0.03413	123.2358	FINNEY SWITCHING STATION - Hitchland Interchange 345KV CKT 1
FDNS	06ALL	2	15G	G14_034	TO->FROM	FPL SWITCH - WOODWARD 138KV CKT 1	133	153	0.03154	120.7881	ELLIS 4 138.00 - RED HILLS WIND 138KV CKT 1
FDNS	06ALL	2	15G	G14_034	TO->FROM	FPL SWITCH - WOODWARD 138KV CKT 1	133	153	0.03154	118.2424	ELLIS 4 138.00 - MOREWOOD SW 138KV CKT 1
FDNS	06ALL	2	15SP	G14_034	TO->FROM	FPL SWITCH - WOODWARD 138KV CKT 1	133	153	0.05678	111.8037	DBL-THIS-WWR
FDNS	06ALL	2	15G	G14_034	TO->FROM	FPL SWITCH - WOODWARD 138KV CKT 1	133	153	0.03154	105.8822	ELK CITY - RED HILLS WIND 138KV CKT 1
FDNS	06ALL	2	15SP	G14_034	TO->FROM	FPL SWITCH - WOODWARD 138KV CKT 1	133	153	0.04844	105.4283	NORTHWEST - TATONGA7 345.00 345KV CKT 1
FDNS	06ALL	2	15SP	G14_034	TO->FROM	FPL SWITCH - WOODWARD 138KV CKT 1	133	153	0.04984	104.792	LAWTON EASTSIDE - OKLAUNION 345KV CKT 1
FDNS	06ALL	2	15SP	G14_034	TO->FROM	FPL SWITCH - WOODWARD 138KV CKT 1	133	153	0.04844	102.6609	SPSCONT-05B
FDNS	06ALL	2	15SP	G14_034	TO->FROM	FPL SWITCH - WOODWARD 138KV CKT 1	133	153	0.04844	101.5196	SPSCONT-04
FDNS	06ALL	2	15SP	G14_034	TO->FROM	FPL SWITCH - WOODWARD 138KV CKT 1	133	153	0.04589	100.868	DBL-THIS-WIC
FDNS	06ALL	2	15SP	G14_034	TO->FROM	FPL SWITCH - WOODWARD 138KV CKT 1	133	153	0.03514	97.8	WOODWARD (WOODWRD2) 138/69/13.2KV TRANSFORMER CKT 1
FDNS	06ALL	2	20WP	G14_034	TO->FROM	FPL SWITCH - WOODWARD 138KV CKT 1	171	185	0.05131	96.8	NORTHWEST - TATONGA7 345.00 345KV CKT 1
FDNS	06ALL	2	20WP	G14_034	TO->FROM	FPL SWITCH - WOODWARD 138KV CKT 1	171	185	0.06059	96.1	DBL-THIS-WWR
FDNS	06ALL	2	15G	G14_034	TO->FROM	GRAPEVINE INTERCHANGE - NICHOLS STATION 230KV CKT 1	319	351	0.1019	104.1544	LAWTON EASTSIDE - OKLAUNION 345KV CKT 1
FDNS	06ALL	2	20WP	G14_034	TO->FROM	GRAPEVINE INTERCHANGE - NICHOLS STATION 230KV CKT 1	329	361	0.13118	102.6379	LAWTON EASTSIDE - OKLAUNION 345KV CKT 1
FDNS	06ALL	2	15SP	G14_034	TO->FROM	GRAPEVINE INTERCHANGE - NICHOLS STATION 230KV CKT 1	319	351	0.10345	99.55632	LAWTON EASTSIDE - OKLAUNION 345KV CKT 1
FDNS	06ALL	2	15G	G14_034	FROM->TO	GRAPEVINE INTERCHANGE - STATELINE INTERCHANGE 230KV CKT 1	319	351	0.11345	96.1822	LAWTON EASTSIDE - OKLAUNION 345KV CKT 1
FDNS	06ALL	2	15G	G14_034	FROM->TO	HARPER - MILAN TAP 138KV CKT 1	138	143	0.03297	116.4392	DBL-THIS-WIC
FDNS	06ALL	2	15SP	G14_034	FROM->TO	HARPER - MILAN TAP 138KV CKT 1	127	136	0.03321	104.4461	DBL-THIS-WIC
FDNS	06ALL	2	15WP	G14_034	FROM->TO	HARPER - MILAN TAP 138KV CKT 1	143	143	0.03322	102.7312	DBL-THIS-WIC
FDNS	06ALL	2	15G	G14_034	TO->FROM	PLANT X STATION - TOLK STATION EAST 230KV CKT 2	478	502	0.0507	107.8303	SPP-SWPS-06
FDNS	06ALL	2	15WP	G14_034	TO->FROM	PLANT X STATION - TOLK STATION EAST 230KV CKT 2	557	557	0.36025	99.7	PLANT X STATION - TOLK STATION WEST 230KV CKT 1
FDNS	06ALL	2	20SP	G14_034	TO->FROM	PLANT X STATION - TOLK STATION EAST 230KV CKT 2	478	502	0.29836	96.2	PLANT X STATION - TOLK STATION WEST 230KV CKT 1
FDNS	06ALL	2	20SP	G14_034	TO->FROM	PLANT X STATION - TOLK STATION WEST 230KV CKT 1	478	502	0.30112	96.9	PLANT X STATION - TOLK STATION EAST 230KV CKT 2
FDNS	06ALL	2	15SP	G14_034	FROM->TO	PLANT X STATION (WH ALM20171) 230/115/13.2KV TRANSFORMER CKT 1	252	252	0.10848	106.9543	NEWHART 230 - PLANT X STATION 230KV CKT 1
FDNS	06ALL	2	15SP	G14_034	FROM->TO	PLANT X STATION (WH ALM20171) 230/115/13.2KV TRANSFORMER CKT 1	252	252	0.07364	104.7846	LAMB COUNTY INTERCHANGE (WH ALM20172) 230/115/13.2KV TRANSFORMER CKT 1
FDNS	06ALL	2	15SP	G14_034	FROM->TO	PLANT X STATION (WH ALM20171) 230/115/13.2KV TRANSFORMER CKT 1	252	252	0.07364	104.7807	SPP-SWPS-K37
FDNS	06ALL	2	15SP	G14_034	FROM->TO	PLANT X STATION (WH ALM20171) 230/115/13.2KV TRANSFORMER CKT 1	252	252	0.07364	104.7599	LAMB COUNTY INTERCHANGE - TOLK STATION WEST 230KV CKT 1
FDNS	06ALL	2	15SP	G14_034	FROM->TO	PLANT X STATION (WH ALM20171) 230/115/13.2KV TRANSFORMER CKT 1	252	252	0.10848	104.2664	NEWHART 230 - PLANT X STATION 230KV CKT 1
FDNS	06ALL	2	15SP	G14_034	FROM->TO	PLANT X STATION (WH ALM20171) 230/115/13.2KV TRANSFORMER CKT 1	252	252	0.0918	102.3785	DEAF SMITH COUNTY INTERCHANGE - PLANT X STATION 230KV CKT 1
FDNS	06ALL	2	15SP	G14_034	FROM->TO	PLANT X STATION (WH ALM20171) 230/115/13.2KV TRANSFORMER CKT 1	252	252	0.07364	102.3506	LAMB COUNTY INTERCHANGE (WH ALM20172) 230/115/13.2KV TRANSFORMER CKT 1
FDNS	06ALL	2	15SP	G14_034	FROM->TO	PLANT X STATION (WH ALM20171) 230/115/13.2KV TRANSFORMER CKT 1	252	252	0.07364	102.3469	SPP-SWPS-K37
FDNS	06ALL	2	15SP	G14_034	FROM->TO	PLANT X STATION (WH ALM20171) 230/115/13.2KV TRANSFORMER CKT 1	252	252	0.07364	102.3256	LAMB COUNTY INTERCHANGE - TOLK STATION WEST 230KV CKT 1
FDNS	06ALL	2	15SP	G14_034	FROM->TO	PLANT X STATION (WH ALM20171) 230/115/13.2KV TRANSFORMER CKT 1	252	252	0.0918	99.6	DEAF SMITH COUNTY INTERCHANGE - PLANT X STATION 230KV CKT 1
FDNS	06ALL	2	15SP	G14_034	FROM->TO	PLANT X STATION (WH ALM20171) 230/115/13.2KV TRANSFORMER CKT 1	252	252	0.06412	95.6	GEN525493 1-PLANT X GEN #3
FDNS	06ALL	2	15G	G14_034	FROM->TO	POTASH JUNCTION INTERCHANGE (GE M100747) 230/115/13.2KV TRANSFORMER CKT 1	150	150	0.04473	99.9	CARLSBAD INTERCHANGE - PECOS INTERCHANGE 115KV CKT 1
FDNS	06ALL	2	15G	G14_034	FROM->TO	POTASH JUNCTION INTERCHANGE (GE M100747) 230/115/13.2KV TRANSFORMER CKT 1	150	150	0.04473	96	CARLSBAD INTERCHANGE - PECOS INTERCHANGE 115KV CKT 1

SOLUTION	GROUP	SCENARIO	SEASON	SOURCE	DIRECTION	MONITORED ELEMENT	RATEA (MVA)	RATEB (MVA)	TC%LOADING (% MVA)	TDF	CONTINGENCY
FDNS	06ALL	2	15G	G14_034	FROM->TO	TUCO INTERCHANGE - TUCO_2 230.00 230KV CKT 1	319	351	0.19252	114.1018	SPP-SWPS-01
FDNS	06ALL	2	15G	G14_034	FROM->TO	TUCO INTERCHANGE - TUCO_2 230.00 230KV CKT 1	319	351	0.18675	107.1921	TUCO INTERCHANGE (SIEM 8743066) 345/230/13.2KV TRANSFORMER CKT 2
FDNS	06ALL	2	20WP	G14_034	FROM->TO	TUCO INTERCHANGE - TUCO_2 230.00 230KV CKT 1	329	361	0.13694	101.7389	SPP-SWPS-01
FDNS	06ALL	2	20WP	G14_034	FROM->TO	TUCO INTERCHANGE - TUCO_2 230.00 230KV CKT 1	329	361	0.1386	100.0723	TUCO INTERCHANGE (GE M1022338) 345/230/13.2KV TRANSFORMER CKT 1
FDNS	06ALL	2	15G	G14_034	FROM->TO	TUCO INTERCHANGE - TUCO_2 230.00 230KV CKT 1	319	351	0.14249	98.75284	LAWTON EASTSIDE - OKLAUNION 345KV CKT 1
FDNS	06ALL	2	15SP	G14_034	FROM->TO	TUCO INTERCHANGE - TUCO_2 230.00 230KV CKT 1	319	351	0.17376	96.5	TUCO INTERCHANGE - TUCO_2 345.00 345KV CKT 1
FDNS	06ALL	2	15WP	G14_034	FROM->TO	TUCO INTERCHANGE - TUCO_2 230.00 230KV CKT 1	329	361	0.20678	96.4	TUCO INTERCHANGE (GE M1022338) 345/230/13.2KV TRANSFORMER CKT 1
FDNS	06ALL	2	15WP	G14_034	FROM->TO	TUCO INTERCHANGE - TUCO_2 230.00 230KV CKT 1	329	361	0.19817	95.1	SPP-SWPS-01
FDNS	06ALL	3	25SP	G14_034	TO->FROM	CARLSBAD INTERCHANGE - PECOS INTERCHANGE 115KV CKT 1	141	141	0.06589	116.9438	HOBBS - KIOWA 7345.00 345KV CKT 1
FDNS	06ALL	3	15SP	G14_034	FROM->TO	CHAVES COUNTY INTERCHANGE - SAMSON SUB 115KV CKT 1	120	154	0.16517	102.4507	CHAVES COUNTY INTERCHANGE - URTON SUB 115KV CKT 1
FDNS	06ALL	3	15SP	G14_034	FROM->TO	CHAVES COUNTY INTERCHANGE - URTON SUB 115KV CKT 1	159	160	0.16481	99.6	CHAVES COUNTY INTERCHANGE - SAMSON SUB 115KV CKT 1
FDNS	06ALL	3	15G	G14_034	FROM->TO	CLEARWATER - GILL ENERGY CENTER WEST 138KV CKT 1	143	143	0.03301	100.3353	DBL-THIS-WIC
FDNS	06ALL	3	15G	G14_034	TO->FROM	CLEARWATER - MILAN TAP 138KV CKT 1	110	110	0.03301	139.9081	DBL-THIS-WIC
FDNS	06ALL	3	20WP	G14_034	TO->FROM	CLEARWATER - MILAN TAP 138KV CKT 1	110	110	0.03306	108.5249	DBL-THIS-WIC
FDNS	06ALL	3	15WP	G14_034	TO->FROM	CLEARWATER - MILAN TAP 138KV CKT 1	110	110	0.03325	106.1126	DBL-THIS-WIC
FDNS	06ALL	3	15SP	G14_034	TO->FROM	CLEARWATER - MILAN TAP 138KV CKT 1	110	110	0.03323	99.9	DBL-THIS-WIC
FDNS	06ALL	3	15SP	G14_034	FROM->TO	CURRY COUNTY INTERCHANGE - DEAF SMITH REC-#20 115KV CKT 1	96	96	0.08115	120.7305	DEAF SMITH COUNTY INTERCHANGE - PLANT X STATION 230KV CKT 1
FDNS	06ALL	3	20SP	G14_034	FROM->TO	CURRY COUNTY INTERCHANGE - DEAF SMITH REC-#20 115KV CKT 1	96	96	0.06685	104.6276	DEAF SMITH COUNTY INTERCHANGE - PLANT X STATION 230KV CKT 1
FDNS	06ALL	3	15SP	G14_034	FROM->TO	CURRY COUNTY INTERCHANGE - DEAF SMITH REC-#20 115KV CKT 1	96	96	0.06518	103.3912	LAWTON EASTSIDE - OKLAUNION 345KV CKT 1
FDNS	06ALL	3	15SP	G14_034	TO->FROM	DEAF SMITH COUNTY INTERCHANGE - PLANT X STATION 230KV CKT 1	319	351	0.18325	109.4403	LAWTON EASTSIDE - OKLAUNION 345KV CKT 1
FDNS	06ALL	3	15SP	G14_034	TO->FROM	DEAF SMITH COUNTY INTERCHANGE - PLANT X STATION 230KV CKT 1	319	351	0.20086	96.9	NEWHART 230 - PLANT X STATION 230KV CKT 1
FDNS	06ALL	3	15SP	G14_034	TO->FROM	DEAF SMITH COUNTY INTERCHANGE - PLANT X STATION 230KV CKT 1	319	351	0.18437	96.2	SPP-SWPS-01
FDNS	06ALL	3	15SP	G14_034	TO->FROM	DEAF SMITH COUNTY INTERCHANGE - PLANT X STATION 230KV CKT 1	319	351	0.18325	96	SPSCONT-01
FDNS	06ALL	3	15SP	G14_034	TO->FROM	DEAF SMITH COUNTY INTERCHANGE - PLANT X STATION 230KV CKT 1	319	351	0.18325	95.8	OKLAUNION - TUCO INTERCHANGE 345KV CKT 1
FDNS	06ALL	3	15SP	G14_034	FROM->TO	DEAF SMITH REC-#20 - PARMER COUNTY SUB 115KV CKT 1	96	96	0.08115	107.5483	DEAF SMITH COUNTY INTERCHANGE - PLANT X STATION 230KV CKT 1
FDNS	06ALL	3	15SP	G14_034	TO->FROM	DEAF SMITH REC-#24 - PARMER COUNTY SUB 115KV CKT 1	96	96	0.08115	99.8	DEAF SMITH COUNTY INTERCHANGE - PLANT X STATION 230KV CKT 1
FDNS	06ALL	3	20WP	G14_034	FROM->TO	EDDY_NORTH 6230.00 (WAUK WT01134) 230/115/13.2KV TRANSFORMER CKT 2	250	288	0.1394	103.4582	EDDY COUNTY INTERCHANGE - EDDY_NORTH 6230.00 230KV CKT @1
FDNS	06ALL	3	20WP	G14_034	FROM->TO	EDDY_NORTH 6230.00 (WAUK WT01134) 230/115/13.2KV TRANSFORMER CKT 2	250	288	0.1394	103.0362	EDDY COUNTY INTERCHANGE - EDDY_NORTH 6230.00 230KV CKT @1
FDNS	06ALL	3	25SP	G14_034	FROM->TO	EDDY_NORTH 6230.00 (WAUK WT01134) 230/115/13.2KV TRANSFORMER CKT 2	250	288	0.14028	101.949	EDDY COUNTY INTERCHANGE - EDDY_NORTH 6230.00 230KV CKT @1
FDNS	06ALL	3	25SP	G14_034	FROM->TO	EDDY_NORTH 6230.00 (WAUK WT01134) 230/115/13.2KV TRANSFORMER CKT 2	250	288	0.14028	100.3172	EDDY COUNTY INTERCHANGE - EDDY_NORTH 6230.00 230KV CKT @1
FDNS	06ALL	3	15WP	G14_034	FROM->TO	EDDY_NORTH 6230.00 (WAUK WT01134) 230/115/13.2KV TRANSFORMER CKT 2	250	288	0.08688	96.8	EDDY COUNTY INTERCHANGE - EDDY_NORTH 6230.00 230KV CKT @1
FDNS	06ALL	3	15WP	G14_034	FROM->TO	EDDY_NORTH 6230.00 (WAUK WT01134) 230/115/13.2KV TRANSFORMER CKT 2	250	288	0.08688	96.7	EDDY COUNTY INTERCHANGE - EDDY_NORTH 6230.00 230KV CKT @1
FDNS	06ALL	3	15G	G14_034	FROM->TO	ELK CITY 230KV (ELKCTY-6) 230/138/13.8KV TRANSFORMER CKT 1	287	316	0.11358	106.8002	LAWTON EASTSIDE - OKLAUNION 345KV CKT 1
FDNS	06ALL	3	15G	G14_034	FROM->TO	ELK CITY 230KV (ELKCTY-6) 230/138/13.8KV TRANSFORMER CKT 1	287	316	0.11358	104.9708	LAWTON EASTSIDE - OKLAUNION 345KV CKT 1
FDNS	06ALL	3	15SP	G14_034	FROM->TO	ELK CITY 230KV (ELKCTY-6) 230/138/13.8KV TRANSFORMER CKT 1	272	316	0.12161	100.0238	LAWTON EASTSIDE - OKLAUNION 345KV CKT 1
FDNS	06ALL	3	15WP	G14_034	FROM->TO	ELK CITY 230KV (ELKCTY-6) 230/138/13.8KV TRANSFORMER CKT 1	287	316	0.12509	99.80477	LAWTON EASTSIDE - OKLAUNION 345KV CKT 1
FDNS	06ALL	3	15SP	G14_034	FROM->TO	ELK CITY 230KV (ELKCTY-6) 230/138/13.8KV TRANSFORMER CKT 1	272	316	0.12161	98.58963	LAWTON EASTSIDE - OKLAUNION 345KV CKT 1
FDNS	06ALL	3	15WP	G14_034	FROM->TO	ELK CITY 230KV (ELKCTY-6) 230/138/13.8KV TRANSFORMER CKT 1	287	316	0.12509	98.40416	LAWTON EASTSIDE - OKLAUNION 345KV CKT 1
FDNS	06ALL	3	15G	G14_034	FROM->TO	ELK CITY 230KV (ELKCTY-6) 230/138/13.8KV TRANSFORMER CKT 1	287	316	0.11358	97.5	SPSCONT-01
FDNS	06ALL	3	15G	G14_034	FROM->TO	ELK CITY 230KV (ELKCTY-6) 230/138/13.8KV TRANSFORMER CKT 1	287	316	0.11417	96.7	SPP-SWPS-01
FDNS-CHECK-TC-Iteration Limit Exceeded.	06ALL	3	15G	G14_034	FROM->TO	ELK CITY 230KV (ELKCTY-6) 230/138/13.8KV TRANSFORMER CKT 1	287	316	0.09956	96.7	DBL-G1114-WW
FDNS	06ALL	3	15G	G14_034	FROM->TO	ELK CITY 230KV (ELKCTY-6) 230/138/13.8KV TRANSFORMER CKT 1	287	316	0.11358	96.5	SPSCONT-01
FDNS	06ALL	3	15G	G14_034	FROM->TO	ELK CITY 230KV (ELKCTY-6) 230/138/13.8KV TRANSFORMER CKT 1	287	316	0.11358	96.4	OKLAUNION - TUCO INTERCHANGE 345KV CKT 1
FDNS	06ALL	3	15G	G14_034	FROM->TO	ELK CITY 230KV (ELKCTY-6) 230/138/13.8KV TRANSFORMER CKT 1	287	316	0.09956	95.6	DBL-BVR-G111
FDNS-CHECK-TC-Iteration Limit Exceeded.	06ALL	3	15G	G14_034	FROM->TO	ELK CITY 230KV (ELKCTY-6) 230/138/13.8KV TRANSFORMER CKT 1	287	316	0.09956	95.6	DBL-G1114-WW
FDNS	06ALL	3	15G	G14_034	FROM->TO	ELK CITY 230KV (ELKCTY-6) 230/138/13.8KV TRANSFORMER CKT 1	287	316	0.11417	95.5	SPP-SWPS-01
FDNS	06ALL	3	15G	G14_034	FROM->TO	ELK CITY 230KV (ELKCTY-6) 230/138/13.8KV TRANSFORMER CKT 1	287	316	0.11358	95.3	OKLAUNION - TUCO INTERCHANGE 345KV CKT 1
FDNS	06ALL	3	15SP	G14_034	TO->FROM	FLATRDG3 - THISTLE4 138.00 138KV CKT 1	286	286	0.04788	98.1	DBL-THIS-WIC
FDNS	06ALL	3	15G	G14_034	TO->FROM	FPL SWITCH - WOODWARD 138KV CKT 1	133	153	0.04556	161.139	NORTHWEST - TATONGA7 345.00 345KV CKT 1
FDNS	06ALL	3	15G	G14_034	TO->FROM	FPL SWITCH - WOODWARD 138KV CKT 1	133	153	0.05361	159.4606	DBL-THIS-WWR
FDNS	06ALL	3	15G	G14_034	TO->FROM	FPL SWITCH - WOODWARD 138KV CKT 1	133	153	0.04556	157.7752	SPSCONT-05B
FDNS	06ALL	3	15G	G14_034	TO->FROM	FPL SWITCH - WOODWARD 138KV CKT 1	133	153	0.04556	157.1729	SPSCONT-04
FDNS	06ALL	3	15G	G14_034	TO->FROM	FPL SWITCH - WOODWARD 138KV CKT 1	133	153	0.04302	154.0712	DBL-THIS-WIC
FDNS	06ALL	3	15G	G14_034	TO->FROM	FPL SWITCH - WOODWARD 138KV CKT 1	133	153	0.04692	152.6468	LAWTON EASTSIDE - OKLAUNION 345KV CKT 1
FDNS	06ALL	3	15G	G14_034	TO->FROM	FPL SWITCH - WOODWARD 138KV CKT 1	133	153	0.04556	147.5252	G11_051T 345.00 - TATONGA7 345.00 345KV CKT 1
FDNS	06ALL	3	15G	G14_034	TO->FROM	FPL SWITCH - WOODWARD 138KV CKT 1	133	153	0.04556	146.2378	G11_051T 345.00 - WOODWARD DISTRICT EHV 345KV CKT 1
FDNS	06ALL	3	15G	G14_034	TO->FROM	FPL SWITCH - WOODWARD 138KV CKT 1	133	153	0.03189	143.417	WOODWARD (WOODWRD2) 138/69/13.2KV TRANSFORMER CKT 1
FDNS	06ALL	3	15G	G14_034	TO->FROM	FPL SWITCH - WOODWARD 138KV CKT 1	133	153	0.04556	143.0314	SPSCONT-05AX
FDNS	06ALL	3	15G	G14_034	TO->FROM	FPL SWITCH - WOODWARD 138KV CKT 1	133	153	0.04173	142.1867	ELK CITY 230KV - SWEETWATER 230KV CKT 1
FDNS	06ALL	3	15G	G14_034	TO->FROM	FPL SWITCH - WOODWARD 138KV CKT 1	133	153	0.04173	142.1522	ELK CITY 230KV (ELKCTY-6) 230/138/13.8KV TRANSFORMER CKT 1
FDNS	06ALL	3	15G	G14_034	TO->FROM	FPL SWITCH - WOODWARD 138KV CKT 1	133	153	0.04692	141.5408	SPSCONT-01
FDNS	06ALL	3	15G	G14_034	TO->FROM	FPL SWITCH - WOODWARD 138KV CKT 1	133	153	0.04195	139.7718	SPP-SWPS-03

SOLUTION	GROUP	SCENARIO	SEASON	SOURCE	DIRECTION	MONITORED ELEMENT	RATEA (MVA)	RATEB(MVA)	TC%LOADING TDF (% MVA)	CONTINGENCY	
FDNS	06ALL	3	15G	G14_034	TO->FROM	FPL SWITCH - WOODWARD 138KV CKT 1	133	153	0.04692	139.4068	OKLAUNION - TUCO INTERCHANGE 345KV CKT 1
FDNS	06ALL	3	15G	G14_034	TO->FROM	FPL SWITCH - WOODWARD 138KV CKT 1	133	153	0.04672	139.2189	SPP-SWPS-01
FDNS	06ALL	3	15G	G14_034	TO->FROM	FPL SWITCH - WOODWARD 138KV CKT 1	133	153	0.04173	138.5807	SPP-SWPS-02A
FDNS	06ALL	3	15G	G14_034	TO->FROM	FPL SWITCH - WOODWARD 138KV CKT 1	133	153	0.04173	138.419	GRAPEVINE INTERCHANGE - STATELINE INTERCHANGE 230KV CKT 1
FDNS	06ALL	3	15G	G14_034	TO->FROM	FPL SWITCH - WOODWARD 138KV CKT 1	133	153	0.0339	137.3554	IODINE - WOODWARD EHV 138KV CKT 1
FDNS	06ALL	3	15G	G14_034	TO->FROM	FPL SWITCH - WOODWARD 138KV CKT 1	133	153	0.0339	135.3142	DEWEY - IODINE 138KV CKT 1
FDNS	06ALL	3	15G	G14_034	TO->FROM	FPL SWITCH - WOODWARD 138KV CKT 1	133	153	0.04173	132.9488	STATELINE INTERCHANGE - STLN-DEMARC6 230KV CKT 1
FDNS	06ALL	3	15G	G14_034	TO->FROM	FPL SWITCH - WOODWARD 138KV CKT 1	133	153	0.04173	132.9455	SPP-SWPS-02
FDNS	06ALL	3	15G	G14_034	TO->FROM	FPL SWITCH - WOODWARD 138KV CKT 1	133	153	0.04173	132.9341	STLN-DEMARC6 - SWEETWATER 230KV CKT 1
FDNS	06ALL	3	15G	G14_034	TO->FROM	FPL SWITCH - WOODWARD 138KV CKT 1	133	153	0.03444	130.4008	GRAPEVINE INTERCHANGE - NICHOLS STATION 230KV CKT 1
FDNS	06ALL	3	15G	G14_034	TO->FROM	FPL SWITCH - WOODWARD 138KV CKT 1	133	153	0.03189	130.0269	WOODWARD - WOODWARD 69KV CKT 1
FDNS	06ALL	3	15G	G14_034	TO->FROM	FPL SWITCH - WOODWARD 138KV CKT 1	133	153	0.03465	126.1489	THISTLE7 345.00 - WOODWARD DISTRICT EHV 345KV CKT 1
FDNS	06ALL	3	15G	G14_034	TO->FROM	FPL SWITCH - WOODWARD 138KV CKT 1	133	153	0.03465	126.1489	THISTLE7 345.00 - WOODWARD DISTRICT EHV 345KV CKT 2
FDNS	06ALL	3	15G	G14_034	TO->FROM	FPL SWITCH - WOODWARD 138KV CKT 1	133	153	0.03417	124.4764	FINNEY SWITCHING STATION - HOLCOMB 345KV CKT 1
FDNS	06ALL	3	15G	G14_034	TO->FROM	FPL SWITCH - WOODWARD 138KV CKT 1	133	153	0.03174	124.1911	THISTLE7 345.00 - WICHITA 345KV CKT 1
FDNS	06ALL	3	15G	G14_034	TO->FROM	FPL SWITCH - WOODWARD 138KV CKT 1	133	153	0.03174	124.1911	THISTLE7 345.00 - WICHITA 345KV CKT 2
FDNS	06ALL	3	15G	G14_034	TO->FROM	FPL SWITCH - WOODWARD 138KV CKT 1	133	153	0.03417	123.2348	SPP-SWPS-05
FDNS	06ALL	3	15G	G14_034	TO->FROM	FPL SWITCH - WOODWARD 138KV CKT 1	133	153	0.03417	123.1767	FINNEY SWITCHING STATION - Hitchland Interchange 345KV CKT 1
FDNS	06ALL	3	15G	G14_034	TO->FROM	FPL SWITCH - WOODWARD 138KV CKT 1	133	153	0.03158	120.7358	ELLIS 4 138.00 - RED HILLS WIND 138KV CKT 1
FDNS	06ALL	3	15G	G14_034	TO->FROM	FPL SWITCH - WOODWARD 138KV CKT 1	133	153	0.03158	118.208	ELLIS 4 138.00 - MOREWOOD SW 138KV CKT 1
FDNS	06ALL	3	15SP	G14_034	TO->FROM	FPL SWITCH - WOODWARD 138KV CKT 1	133	153	0.05682	111.727	DBL-THIS-WWR
FDNS	06ALL	3	15G	G14_034	TO->FROM	FPL SWITCH - WOODWARD 138KV CKT 1	133	153	0.03158	106.2134	ELK CITY - RED HILLS WIND 138KV CKT 1
FDNS	06ALL	3	15SP	G14_034	TO->FROM	FPL SWITCH - WOODWARD 138KV CKT 1	133	153	0.04847	105.3474	NORTHWEST - TATONGA7 345.00 345KV CKT 1
FDNS	06ALL	3	15SP	G14_034	TO->FROM	FPL SWITCH - WOODWARD 138KV CKT 1	133	153	0.04988	104.763	LAWTON EASTSIDE - OKLAUNION 345KV CKT 1
FDNS	06ALL	3	15SP	G14_034	TO->FROM	FPL SWITCH - WOODWARD 138KV CKT 1	133	153	0.04847	102.5806	SPSCONT-05B
FDNS	06ALL	3	15SP	G14_034	TO->FROM	FPL SWITCH - WOODWARD 138KV CKT 1	133	153	0.04847	101.4405	SPSCONT-04
FDNS	06ALL	3	15SP	G14_034	TO->FROM	FPL SWITCH - WOODWARD 138KV CKT 1	133	153	0.04591	100.7966	DBL-THIS-WIC
FDNS	06ALL	3	15SP	G14_034	TO->FROM	FPL SWITCH - WOODWARD 138KV CKT 1	133	153	0.03516	97.7	WOODWARD (WOODWRD2) 138/69/13.2KV TRANSFORMER CKT 1
FDNS	06ALL	3	20WP	G14_034	TO->FROM	FPL SWITCH - WOODWARD 138KV CKT 1	171	185	0.05136	96.7	NORTHWEST - TATONGA7 345.00 345KV CKT 1
FDNS	06ALL	3	20WP	G14_034	TO->FROM	FPL SWITCH - WOODWARD 138KV CKT 1	171	185	0.06064	96	DBL-THIS-WWR
FDNS	06ALL	3	15G	G14_034	TO->FROM	GRAPEVINE INTERCHANGE - NICHOLS STATION 230KV CKT 1	319	351	0.10202	104.2251	LAWTON EASTSIDE - OKLAUNION 345KV CKT 1
FDNS	06ALL	3	20WP	G14_034	TO->FROM	GRAPEVINE INTERCHANGE - NICHOLS STATION 230KV CKT 1	329	361	0.1313	102.6177	LAWTON EASTSIDE - OKLAUNION 345KV CKT 1
FDNS	06ALL	3	15SP	G14_034	TO->FROM	GRAPEVINE INTERCHANGE - NICHOLS STATION 230KV CKT 1	319	351	0.10351	99.55151	LAWTON EASTSIDE - OKLAUNION 345KV CKT 1
FDNS	06ALL	3	15G	G14_034	FROM->TO	GRAPEVINE INTERCHANGE - STATELINE INTERCHANGE 230KV CKT 1	319	351	0.11358	96.19302	LAWTON EASTSIDE - OKLAUNION 345KV CKT 1
FDNS	06ALL	3	15G	G14_034	FROM->TO	HARPER - MILAN TAP 138KV CKT 1	138	143	0.03301	116.387	DBL-THIS-WIC
FDNS	06ALL	3	15SP	G14_034	FROM->TO	HARPER - MILAN TAP 138KV CKT 1	127	136	0.03323	104.4151	DBL-THIS-WIC
FDNS	06ALL	3	15WP	G14_034	FROM->TO	HARPER - MILAN TAP 138KV CKT 1	143	143	0.03325	102.7046	DBL-THIS-WIC
FDNS	06ALL	3	15G	G14_034	TO->FROM	PLANT X STATION - TOLK STATION EAST 230KV CKT 2	478	502	0.05115	106.1344	SPP-SWPS-06
FDNS	06ALL	3	15WP	G14_034	TO->FROM	PLANT X STATION - TOLK STATION EAST 230KV CKT 2	557	557	0.36033	99.6	PLANT X STATION - TOLK STATION WEST 230KV CKT 1
FDNS	06ALL	3	20SP	G14_034	TO->FROM	PLANT X STATION - TOLK STATION EAST 230KV CKT 2	478	502	0.29873	96.2	PLANT X STATION - TOLK STATION WEST 230KV CKT 1
FDNS	06ALL	3	20SP	G14_034	TO->FROM	PLANT X STATION - TOLK STATION WEST 230KV CKT 1	478	502	0.30149	97	PLANT X STATION - TOLK STATION EAST 230KV CKT 2
FDNS	06ALL	3	15SP	G14_034	FROM->TO	PLANT X STATION (WH ALM20171) 230/115/13.2KV TRANSFORMER CKT 1	252	252	0.10851	106.8107	NEWHART 230 - PLANT X STATION 230KV CKT 1
FDNS	06ALL	3	15SP	G14_034	FROM->TO	PLANT X STATION (WH ALM20171) 230/115/13.2KV TRANSFORMER CKT 1	252	252	0.07363	104.6633	LAMB COUNTY INTERCHANGE - TOLK STATION WEST 230KV CKT 1
FDNS	06ALL	3	15SP	G14_034	FROM->TO	PLANT X STATION (WH ALM20171) 230/115/13.2KV TRANSFORMER CKT 1	252	252	0.07363	104.6607	LAMB COUNTY INTERCHANGE (WH ALM20172) 230/115/13.2KV TRANSFORMER CKT 1
FDNS	06ALL	3	15SP	G14_034	FROM->TO	PLANT X STATION (WH ALM20171) 230/115/13.2KV TRANSFORMER CKT 1	252	252	0.07363	104.6607	SPP-SWPS-K37
FDNS	06ALL	3	15SP	G14_034	FROM->TO	PLANT X STATION (WH ALM20171) 230/115/13.2KV TRANSFORMER CKT 1	252	252	0.10851	104.1177	NEWHART 230 - PLANT X STATION 230KV CKT 1
FDNS	06ALL	3	15SP	G14_034	FROM->TO	PLANT X STATION (WH ALM20171) 230/115/13.2KV TRANSFORMER CKT 1	252	252	0.09183	102.2408	DEAF SMITH COUNTY INTERCHANGE - PLANT X STATION 230KV CKT 1
FDNS	06ALL	3	15SP	G14_034	FROM->TO	PLANT X STATION (WH ALM20171) 230/115/13.2KV TRANSFORMER CKT 1	252	252	0.07363	102.2229	LAMB COUNTY INTERCHANGE - TOLK STATION WEST 230KV CKT 1
FDNS	06ALL	3	15SP	G14_034	FROM->TO	PLANT X STATION (WH ALM20171) 230/115/13.2KV TRANSFORMER CKT 1	252	252	0.07363	102.2204	LAMB COUNTY INTERCHANGE (WH ALM20172) 230/115/13.2KV TRANSFORMER CKT 1
FDNS	06ALL	3	15SP	G14_034	FROM->TO	PLANT X STATION (WH ALM20171) 230/115/13.2KV TRANSFORMER CKT 1	252	252	0.07363	102.2204	SPP-SWPS-K37
FDNS	06ALL	3	15SP	G14_034	FROM->TO	PLANT X STATION (WH ALM20171) 230/115/13.2KV TRANSFORMER CKT 1	252	252	0.09183	99.5	DEAF SMITH COUNTY INTERCHANGE - PLANT X STATION 230KV CKT 1
FDNS	06ALL	3	15SP	G14_034	FROM->TO	PLANT X STATION (WH ALM20171) 230/115/13.2KV TRANSFORMER CKT 1	252	252	0.06413	95.4	GEN525493 1-PLANT X GEN #3
FDNS	06ALL	3	15G	G14_034	FROM->TO	POTASH JUNCTION INTERCHANGE (GE M100747) 230/115/13.2KV TRANSFORMER CKT 1	150	150	0.04764	97.8	CARLSBAD INTERCHANGE - PECOS INTERCHANGE 115KV CKT 1
FDNS	06ALL	4	25SP	G14_034	TO->FROM	CARLSBAD INTERCHANGE - PECOS INTERCHANGE 115KV CKT 1	141	141	0.06589	116.9438	HOBBS - KIOWA 7345.00 345KV CKT 1
FDNS	06ALL	4	15SP	G14_034	FROM->TO	CHAVES COUNTY INTERCHANGE - SAMSON SUB 115KV CKT 1	120	154	0.16517	102.4507	CHAVES COUNTY INTERCHANGE - URTON SUB 115KV CKT 1
FDNS	06ALL	4	15SP	G14_034	FROM->TO	CHAVES COUNTY INTERCHANGE - URTON SUB 115KV CKT 1	159	160	0.16481	99.6	CHAVES COUNTY INTERCHANGE - SAMSON SUB 115KV CKT 1
FDNS	06ALL	4	15G	G14_034	FROM->TO	CLEARWATER - GILL ENERGY CENTER WEST 138KV CKT 1	143	143	0.03301	100.3353	DBL-THIS-WIC
FDNS	06ALL	4	15G	G14_034	TO->FROM	CLEARWATER - MILAN TAP 138KV CKT 1	110	110	0.03301	139.9081	DBL-THIS-WIC
FDNS	06ALL	4	20WP	G14_034	TO->FROM	CLEARWATER - MILAN TAP 138KV CKT 1	110	110	0.03306	108.5249	DBL-THIS-WIC
FDNS	06ALL	4	15WP	G14_034	TO->FROM	CLEARWATER - MILAN TAP 138KV CKT 1	110	110	0.03325	106.1126	DBL-THIS-WIC
FDNS	06ALL	4	15SP	G14_034	TO->FROM	CLEARWATER - MILAN TAP 138KV CKT 1	110	110	0.03323	99.9	DBL-THIS-WIC
FDNS	06ALL	4	15SP	G14_034	FROM->TO	CURRY COUNTY INTERCHANGE - DEAF SMITH REC-#20 115KV CKT 1	96	96	0.08115	120.7303	DEAF SMITH COUNTY INTERCHANGE - PLANT X STATION 230KV CKT 1
FDNS	06ALL	4	20SP	G14_034	FROM->TO	CURRY COUNTY INTERCHANGE - DEAF SMITH REC-#20 115KV CKT 1	96	96	0.06685	104.6276	DEAF SMITH COUNTY INTERCHANGE - PLANT X STATION 230KV CKT 1
FDNS	06ALL	4	15SP	G14_034	FROM->TO	CURRY COUNTY INTERCHANGE - DEAF SMITH REC-#20 115KV CKT 1	96	96	0.06518	103.3913	LAWTON EASTSIDE - OKLAUNION 345KV CKT 1
FDNS	06ALL	4	15SP	G14_034	TO->FROM	DEAF SMITH COUNTY INTERCHANGE - PLANT X STATION 230KV CKT 1	319	351	0.18325	109.4404	LAWTON EASTSIDE - OKLAUNION 345KV CKT 1
FDNS	06ALL	4	15SP	G14_034	TO->FROM	DEAF SMITH COUNTY INTERCHANGE - PLANT X STATION 230KV CKT 1	319	351	0.20086	96.9	NEWHART 230 - PLANT X STATION 230KV CKT 1
FDNS	06ALL	4	15SP	G14_034	TO->FROM	DEAF SMITH COUNTY INTERCHANGE - PLANT X STATION 230KV CKT 1	319	351	0.18437	96.2	SPP-SWPS-01
FDNS	06ALL	4	15SP	G14_034	TO->FROM	DEAF SMITH COUNTY INTERCHANGE - PLANT X STATION 230KV CKT 1	319	351	0.18325	96	SPSCONT-01
FDNS	06ALL	4	15SP	G14_034	TO->FROM	DEAF SMITH COUNTY INTERCHANGE - PLANT X STATION 230KV CKT 1	319	351	0.18325	95.8	OKLAUNION - TUCO INTERCHANGE 345KV CKT 1
FDNS	06ALL	4	15SP	G14_034	FROM->TO	DEAF SMITH REC-#20 - PARMER COUNTY SUB 115KV CKT 1	96	96	0.08115	107.5483	DEAF SMITH COUNTY INTERCHANGE - PLANT X STATION 230KV CKT 1
FDNS	06ALL	4	15SP	G14_034	TO->FROM	DEAF SMITH REC-#24 - PARMER COUNTY SUB 115KV CKT 1	96	96	0.08115	99.8	DEAF SMITH COUNTY INTERCHANGE - PLANT X STATION 230KV CKT 1
FDNS	06ALL	4	20WP	G14_034	FROM->TO	EDDY NORTH 6230.00 (WAUK WT01134) 230/115/13.2KV TRANSFORMER CKT 2	250	288	0.1394	103.4582	EDDY COUNTY INTERCHANGE - EDDY NORTH 6230.00 230KV CKT @1

SOLUTION	GROUP	SCENARIO	SEASON	SOURCE	DIRECTION	MONITORED ELEMENT	RATEA (MVA)	RATEB (MVA)	TDF	TC%LOADING (% MVA)	CONTINGENCY
FDNS	06ALL	4	20WP	G14_034	FROM->TO	EDDY_NORTH 6230.00 (WAUK WT01134) 230/115/13.2KV TRANSFORMER CKT 2	250	288	0.1394	103.0362	EDDY COUNTY INTERCHANGE - EDDY_NORTH 6230.00 230KV CKT @1
FDNS	06ALL	4	25SP	G14_034	FROM->TO	EDDY_NORTH 6230.00 (WAUK WT01134) 230/115/13.2KV TRANSFORMER CKT 2	250	288	0.14028	101.949	EDDY COUNTY INTERCHANGE - EDDY_NORTH 6230.00 230KV CKT @1
FDNS	06ALL	4	25SP	G14_034	FROM->TO	EDDY_NORTH 6230.00 (WAUK WT01134) 230/115/13.2KV TRANSFORMER CKT 2	250	288	0.14028	100.3172	EDDY COUNTY INTERCHANGE - EDDY_NORTH 6230.00 230KV CKT @1
FDNS	06ALL	4	15WP	G14_034	FROM->TO	EDDY_NORTH 6230.00 (WAUK WT01134) 230/115/13.2KV TRANSFORMER CKT 2	250	288	0.08688	96.8	EDDY COUNTY INTERCHANGE - EDDY_NORTH 6230.00 230KV CKT @1
FDNS	06ALL	4	15WP	G14_034	FROM->TO	EDDY_NORTH 6230.00 (WAUK WT01134) 230/115/13.2KV TRANSFORMER CKT 2	250	288	0.08688	96.7	EDDY COUNTY INTERCHANGE - EDDY_NORTH 6230.00 230KV CKT @1
FDNS	06ALL	4	15G	G14_034	FROM->TO	ELK CITY 230KV (ELKCTY-6) 230/138/13.8KV TRANSFORMER CKT 1	287	316	0.11358	106.8002	LAWTON EASTSIDE - OKLAUNION 345KV CKT 1
FDNS	06ALL	4	15G	G14_034	FROM->TO	ELK CITY 230KV (ELKCTY-6) 230/138/13.8KV TRANSFORMER CKT 1	287	316	0.11358	104.9708	LAWTON EASTSIDE - OKLAUNION 345KV CKT 1
FDNS	06ALL	4	15SP	G14_034	FROM->TO	ELK CITY 230KV (ELKCTY-6) 230/138/13.8KV TRANSFORMER CKT 1	272	316	0.12161	100.0245	LAWTON EASTSIDE - OKLAUNION 345KV CKT 1
FDNS	06ALL	4	15WP	G14_034	FROM->TO	ELK CITY 230KV (ELKCTY-6) 230/138/13.8KV TRANSFORMER CKT 1	287	316	0.12509	99.80477	LAWTON EASTSIDE - OKLAUNION 345KV CKT 1
FDNS	06ALL	4	15WP	G14_034	FROM->TO	ELK CITY 230KV (ELKCTY-6) 230/138/13.8KV TRANSFORMER CKT 1	272	316	0.12161	98.59045	LAWTON EASTSIDE - OKLAUNION 345KV CKT 1
FDNS	06ALL	4	15WP	G14_034	FROM->TO	ELK CITY 230KV (ELKCTY-6) 230/138/13.8KV TRANSFORMER CKT 1	287	316	0.12509	98.40416	LAWTON EASTSIDE - OKLAUNION 345KV CKT 1
FDNS	06ALL	4	15G	G14_034	FROM->TO	ELK CITY 230KV (ELKCTY-6) 230/138/13.8KV TRANSFORMER CKT 1	287	316	0.11358	97.5	SPSCONT-01
FDNS	06ALL	4	15G	G14_034	FROM->TO	ELK CITY 230KV (ELKCTY-6) 230/138/13.8KV TRANSFORMER CKT 1	287	316	0.11417	96.7	SPP-SWPS-01
FDNS-CHECK-TC-Iteration Limit Exceeded.	06ALL	4	15G	G14_034	FROM->TO	ELK CITY 230KV (ELKCTY-6) 230/138/13.8KV TRANSFORMER CKT 1	287	316	0.09956	96.7	DBL-G1114-WW
FDNS	06ALL	4	15G	G14_034	FROM->TO	ELK CITY 230KV (ELKCTY-6) 230/138/13.8KV TRANSFORMER CKT 1	287	316	0.11358	96.5	SPSCONT-01
FDNS	06ALL	4	15G	G14_034	FROM->TO	ELK CITY 230KV (ELKCTY-6) 230/138/13.8KV TRANSFORMER CKT 1	287	316	0.11358	96.4	OKLAUNION - TUCO INTERCHANGE 345KV CKT 1
FDNS	06ALL	4	15G	G14_034	FROM->TO	ELK CITY 230KV (ELKCTY-6) 230/138/13.8KV TRANSFORMER CKT 1	287	316	0.09956	95.6	DBL-BVR-G111
FDNS-CHECK-TC-Iteration Limit Exceeded.	06ALL	4	15G	G14_034	FROM->TO	ELK CITY 230KV (ELKCTY-6) 230/138/13.8KV TRANSFORMER CKT 1	287	316	0.09956	95.6	DBL-G1114-WW
FDNS	06ALL	4	15G	G14_034	FROM->TO	ELK CITY 230KV (ELKCTY-6) 230/138/13.8KV TRANSFORMER CKT 1	287	316	0.11417	95.5	SPP-SWPS-01
FDNS	06ALL	4	15G	G14_034	FROM->TO	ELK CITY 230KV (ELKCTY-6) 230/138/13.8KV TRANSFORMER CKT 1	287	316	0.11358	95.3	OKLAUNION - TUCO INTERCHANGE 345KV CKT 1
FDNS	06ALL	4	15SP	G14_034	TO->FROM	FLATRDG3 - THISTLE4 138.00 138KV CKT 1	286	286	0.04788	98.1	DBL-THIS-WIC
FDNS	06ALL	4	15G	G14_034	TO->FROM	FPL SWITCH - WOODWARD 138KV CKT 1	133	153	0.04556	161.139	NORTHWEST - TATONGA7 345.00 345KV CKT 1
FDNS	06ALL	4	15G	G14_034	TO->FROM	FPL SWITCH - WOODWARD 138KV CKT 1	133	153	0.05361	159.4606	DBL-THIS-WWR
FDNS	06ALL	4	15G	G14_034	TO->FROM	FPL SWITCH - WOODWARD 138KV CKT 1	133	153	0.04556	157.7752	SPSCONT-05B
FDNS	06ALL	4	15G	G14_034	TO->FROM	FPL SWITCH - WOODWARD 138KV CKT 1	133	153	0.04556	157.1729	SPSCONT-04
FDNS	06ALL	4	15G	G14_034	TO->FROM	FPL SWITCH - WOODWARD 138KV CKT 1	133	153	0.04302	154.0712	DBL-THIS-WIC
FDNS	06ALL	4	15G	G14_034	TO->FROM	FPL SWITCH - WOODWARD 138KV CKT 1	133	153	0.04692	152.6468	LAWTON EASTSIDE - OKLAUNION 345KV CKT 1
FDNS	06ALL	4	15G	G14_034	TO->FROM	FPL SWITCH - WOODWARD 138KV CKT 1	133	153	0.04556	147.5252	G11_051T 345.00 - TATONGA7 345.00 345KV CKT 1
FDNS	06ALL	4	15G	G14_034	TO->FROM	FPL SWITCH - WOODWARD 138KV CKT 1	133	153	0.04556	146.2378	G11_051T 345.00 - WOODWARD DISTRICT EHV 345KV CKT 1
FDNS	06ALL	4	15G	G14_034	TO->FROM	FPL SWITCH - WOODWARD 138KV CKT 1	133	153	0.03189	143.417	WOODWARD (WOODWRD2) 138/69/13.2KV TRANSFORMER CKT 1
FDNS	06ALL	4	15G	G14_034	TO->FROM	FPL SWITCH - WOODWARD 138KV CKT 1	133	153	0.04556	143.0315	SPSCONT-05AX
FDNS	06ALL	4	15G	G14_034	TO->FROM	FPL SWITCH - WOODWARD 138KV CKT 1	133	153	0.04173	142.1867	ELK CITY 230KV - SWEETWATER 230KV CKT 1
FDNS	06ALL	4	15G	G14_034	TO->FROM	FPL SWITCH - WOODWARD 138KV CKT 1	133	153	0.04173	142.1522	ELK CITY 230KV (ELKCTY-6) 230/138/13.8KV TRANSFORMER CKT 1
FDNS	06ALL	4	15G	G14_034	TO->FROM	FPL SWITCH - WOODWARD 138KV CKT 1	133	153	0.04692	141.5408	SPSCONT-01
FDNS	06ALL	4	15G	G14_034	TO->FROM	FPL SWITCH - WOODWARD 138KV CKT 1	133	153	0.04195	139.7718	SPP-SWPS-03
FDNS	06ALL	4	15G	G14_034	TO->FROM	FPL SWITCH - WOODWARD 138KV CKT 1	133	153	0.04692	139.4068	OKLAUNION - TUCO INTERCHANGE 345KV CKT 1
FDNS	06ALL	4	15G	G14_034	TO->FROM	FPL SWITCH - WOODWARD 138KV CKT 1	133	153	0.04672	139.2189	SPP-SWPS-01
FDNS	06ALL	4	15G	G14_034	TO->FROM	FPL SWITCH - WOODWARD 138KV CKT 1	133	153	0.04173	138.5807	SPP-SWPS-02A
FDNS	06ALL	4	15G	G14_034	TO->FROM	FPL SWITCH - WOODWARD 138KV CKT 1	133	153	0.04173	138.419	GRAPEVINE INTERCHANGE - STATELINE INTERCHANGE 230KV CKT 1
FDNS	06ALL	4	15G	G14_034	TO->FROM	FPL SWITCH - WOODWARD 138KV CKT 1	133	153	0.0339	137.3554	IODINE - WOODWARD EHV 138KV CKT 1
FDNS	06ALL	4	15G	G14_034	TO->FROM	FPL SWITCH - WOODWARD 138KV CKT 1	133	153	0.0339	135.3142	DEWEY - IODINE 138KV CKT 1
FDNS	06ALL	4	15G	G14_034	TO->FROM	FPL SWITCH - WOODWARD 138KV CKT 1	133	153	0.04173	132.9488	STATELINE INTERCHANGE - STLN-DEMARC6 230KV CKT 1
FDNS	06ALL	4	15G	G14_034	TO->FROM	FPL SWITCH - WOODWARD 138KV CKT 1	133	153	0.04173	132.9455	SPP-SWPS-02
FDNS	06ALL	4	15G	G14_034	TO->FROM	FPL SWITCH - WOODWARD 138KV CKT 1	133	153	0.04173	132.9341	STLN-DEMARC6 - SWEETWATER 230KV CKT 1
FDNS	06ALL	4	15G	G14_034	TO->FROM	FPL SWITCH - WOODWARD 138KV CKT 1	133	153	0.03444	130.4008	GRAPEVINE INTERCHANGE - NICHOLS STATION 230KV CKT 1
FDNS	06ALL	4	15G	G14_034	TO->FROM	FPL SWITCH - WOODWARD 138KV CKT 1	133	153	0.03189	130.0269	WOODWARD - WOODWARD 69KV CKT 1
FDNS	06ALL	4	15G	G14_034	TO->FROM	FPL SWITCH - WOODWARD 138KV CKT 1	133	153	0.03465	126.1489	THISTLE7 345.00 - WOODWARD DISTRICT EHV 345KV CKT 1
FDNS	06ALL	4	15G	G14_034	TO->FROM	FPL SWITCH - WOODWARD 138KV CKT 1	133	153	0.03465	126.1489	THISTLE7 345.00 - WOODWARD DISTRICT EHV 345KV CKT 2
FDNS	06ALL	4	15G	G14_034	TO->FROM	FPL SWITCH - WOODWARD 138KV CKT 1	133	153	0.03417	124.4764	FINNEY SWITCHING STATION - HOLCOMB 345KV CKT 1
FDNS	06ALL	4	15G	G14_034	TO->FROM	FPL SWITCH - WOODWARD 138KV CKT 1	133	153	0.03174	124.1911	THISTLE7 345.00 - WICHITA 345KV CKT 1
FDNS	06ALL	4	15G	G14_034	TO->FROM	FPL SWITCH - WOODWARD 138KV CKT 1	133	153	0.03174	124.1911	THISTLE7 345.00 - WICHITA 345KV CKT 2
FDNS	06ALL	4	15G	G14_034	TO->FROM	FPL SWITCH - WOODWARD 138KV CKT 1	133	153	0.03417	123.2349	SPP-SWPS-05
FDNS	06ALL	4	15G	G14_034	TO->FROM	FPL SWITCH - WOODWARD 138KV CKT 1	133	153	0.03417	123.1767	FINNEY SWITCHING STATION - Hitchland Interchange 345KV CKT 1
FDNS	06ALL	4	15G	G14_034	TO->FROM	FPL SWITCH - WOODWARD 138KV CKT 1	133	153	0.03158	120.7359	ELLIS 4 138.00 - RED HILLS WIND 138KV CKT 1
FDNS	06ALL	4	15G	G14_034	TO->FROM	FPL SWITCH - WOODWARD 138KV CKT 1	133	153	0.03158	118.208	ELLIS 4 138.00 - MOREWOOD SW 138KV CKT 1
FDNS	06ALL	4	15SP	G14_034	TO->FROM	FPL SWITCH - WOODWARD 138KV CKT 1	133	153	0.05682	111.727	DBL-THIS-WWR
FDNS	06ALL	4	15G	G14_034	TO->FROM	FPL SWITCH - WOODWARD 138KV CKT 1	133	153	0.03158	106.2134	ELK CITY - RED HILLS WIND 138KV CKT 1
FDNS	06ALL	4	15SP	G14_034	TO->FROM	FPL SWITCH - WOODWARD 138KV CKT 1	133	153	0.04847	105.3474	NORTHWEST - TATONGA7 345.00 345KV CKT 1
FDNS	06ALL	4	15SP	G14_034	TO->FROM	FPL SWITCH - WOODWARD 138KV CKT 1	133	153	0.04988	104.7642	LAWTON EASTSIDE - OKLAUNION 345KV CKT 1
FDNS	06ALL	4	15SP	G14_034	TO->FROM	FPL SWITCH - WOODWARD 138KV CKT 1	133	153	0.04847	102.5806	SPSCONT-05B
FDNS	06ALL	4	15SP	G14_034	TO->FROM	FPL SWITCH - WOODWARD 138KV CKT 1	133	153	0.04847	101.4405	SPSCONT-04
FDNS	06ALL	4	15SP	G14_034	TO->FROM	FPL SWITCH - WOODWARD 138KV CKT 1	133	153	0.04591	100.7966	DBL-THIS-WIC

SOLUTION	GROUP	SCENARIO	SEASON	SOURCE	DIRECTION	MONITORED ELEMENT	RATEA (MVA)	RATEB(MVA)	TDF	TC%LOADING (% MVA)	CONTINGENCY
FDNS	06ALL	4	15SP	G14_034	TO->FROM	FPL SWITCH - WOODWARD 138KV CKT 1	133	153	0.03516	97.7	WOODWARD (WOODWRD2) 138/69/13.2KV TRANSFORMER CKT 1
FDNS	06ALL	4	20WP	G14_034	TO->FROM	FPL SWITCH - WOODWARD 138KV CKT 1	171	185	0.05136	96.7	NORTHWEST - TATONGA7 345.00 345KV CKT 1
FDNS	06ALL	4	20WP	G14_034	TO->FROM	FPL SWITCH - WOODWARD 138KV CKT 1	171	185	0.06064	96	DBL-THIS-WWR
FDNS	06ALL	4	15G	G14_034	TO->FROM	GRAPEVINE INTERCHANGE - NICHOLS STATION 230KV CKT 1	319	351	0.10202	104.2251	LAWTON EASTSIDE - OKLAUNION 345KV CKT 1
FDNS	06ALL	4	20WP	G14_034	TO->FROM	GRAPEVINE INTERCHANGE - NICHOLS STATION 230KV CKT 1	329	361	0.1313	102.6177	LAWTON EASTSIDE - OKLAUNION 345KV CKT 1
FDNS	06ALL	4	15SP	G14_034	TO->FROM	GRAPEVINE INTERCHANGE - NICHOLS STATION 230KV CKT 1	319	351	0.10351	99.55219	LAWTON EASTSIDE - OKLAUNION 345KV CKT 1
FDNS	06ALL	4	15G	G14_034	FROM->TO	GRAPEVINE INTERCHANGE - STATELINE INTERCHANGE 230KV CKT 1	319	351	0.11358	96.19302	LAWTON EASTSIDE - OKLAUNION 345KV CKT 1
FDNS	06ALL	4	15G	G14_034	FROM->TO	HARPER - MILAN TAP 138KV CKT 1	138	143	0.03301	116.387	DBL-THIS-WIC
FDNS	06ALL	4	15SP	G14_034	FROM->TO	HARPER - MILAN TAP 138KV CKT 1	127	136	0.03323	104.4151	DBL-THIS-WIC
FDNS	06ALL	4	15WP	G14_034	FROM->TO	HARPER - MILAN TAP 138KV CKT 1	143	143	0.03325	102.7046	DBL-THIS-WIC
FDNS	06ALL	4	15SP	G14_034	FROM->TO	PLANT X STATION (WH ALM20171) 230/115/13.2KV TRANSFORMER CKT 1	252	252	0.10851	106.8107	NEWHART 230 - PLANT X STATION 230KV CKT 1
FDNS	06ALL	4	15SP	G14_034	FROM->TO	PLANT X STATION (WH ALM20171) 230/115/13.2KV TRANSFORMER CKT 1	252	252	0.07363	104.6633	LAMB COUNTY INTERCHANGE - TOLK STATION WEST 230KV CKT 1
FDNS	06ALL	4	15SP	G14_034	FROM->TO	PLANT X STATION (WH ALM20171) 230/115/13.2KV TRANSFORMER CKT 1	252	252	0.07363	104.6607	LAMB COUNTY INTERCHANGE (WH ALM20172) 230/115/13.2KV TRANSFORMER CKT 1
FDNS	06ALL	4	15SP	G14_034	FROM->TO	PLANT X STATION (WH ALM20171) 230/115/13.2KV TRANSFORMER CKT 1	252	252	0.07363	104.6607	SPP-SWPS-K37
FDNS	06ALL	4	15SP	G14_034	FROM->TO	PLANT X STATION (WH ALM20171) 230/115/13.2KV TRANSFORMER CKT 1	252	252	0.10851	104.1177	NEWHART 230 - PLANT X STATION 230KV CKT 1
FDNS	06ALL	4	15SP	G14_034	FROM->TO	PLANT X STATION (WH ALM20171) 230/115/13.2KV TRANSFORMER CKT 1	252	252	0.09183	102.241	DEAF SMITH COUNTY INTERCHANGE - PLANT X STATION 230KV CKT 1
FDNS	06ALL	4	15SP	G14_034	FROM->TO	PLANT X STATION (WH ALM20171) 230/115/13.2KV TRANSFORMER CKT 1	252	252	0.07363	102.223	LAMB COUNTY INTERCHANGE - TOLK STATION WEST 230KV CKT 1
FDNS	06ALL	4	15SP	G14_034	FROM->TO	PLANT X STATION (WH ALM20171) 230/115/13.2KV TRANSFORMER CKT 1	252	252	0.07363	102.2204	LAMB COUNTY INTERCHANGE (WH ALM20172) 230/115/13.2KV TRANSFORMER CKT 1
FDNS	06ALL	4	15SP	G14_034	FROM->TO	PLANT X STATION (WH ALM20171) 230/115/13.2KV TRANSFORMER CKT 1	252	252	0.07363	102.2204	SPP-SWPS-K37
FDNS	06ALL	4	15SP	G14_034	FROM->TO	PLANT X STATION (WH ALM20171) 230/115/13.2KV TRANSFORMER CKT 1	252	252	0.09183	99.5	DEAF SMITH COUNTY INTERCHANGE - PLANT X STATION 230KV CKT 1
FDNS	06ALL	4	15SP	G14_034	FROM->TO	PLANT X STATION (WH ALM20171) 230/115/13.2KV TRANSFORMER CKT 1	252	252	0.06413	95.4	GEN525493 1-PLANT X GEN #3
FDNS	06ALL	4	15G	G14_034	FROM->TO	POTASH JUNCTION INTERCHANGE (GE M100747) 230/115/13.2KV TRANSFORMER CKT 1	150	150	0.04764	97.8	CARLSBAD INTERCHANGE - PECOS INTERCHANGE 115KV CKT 1
FDNS	06ALL	0	25SP	G14_035	TO->FROM	CARLSBAD INTERCHANGE - PECOS INTERCHANGE 115KV CKT 1	141	141	0.06602	116.6903	HOBBS - KIOWA 7345.00 345KV CKT 1
FDNS	06ALL	0	15SP	G14_035	FROM->TO	CHAVES COUNTY INTERCHANGE - SAMSON SUB 115KV CKT 1	120	154	0.16505	102.4226	CHAVES COUNTY INTERCHANGE - URTON SUB 115KV CKT 1
FDNS	06ALL	0	15SP	G14_035	FROM->TO	CHAVES COUNTY INTERCHANGE - URTON SUB 115KV CKT 1	159	160	0.16469	99.6	CHAVES COUNTY INTERCHANGE - SAMSON SUB 115KV CKT 1
FDNS	06ALL	0	15G	G14_035	FROM->TO	CLEARWATER - GILL ENERGY CENTER WEST 138KV CKT 1	143	143	0.03309	100.5453	DBL-THIS-WIC
FDNS	06ALL	0	15G	G14_035	TO->FROM	CLEARWATER - MILAN TAP 138KV CKT 1	110	110	0.03309	140.1877	DBL-THIS-WIC
FDNS	06ALL	0	20WP	G14_035	TO->FROM	CLEARWATER - MILAN TAP 138KV CKT 1	110	110	0.03307	108.6601	DBL-THIS-WIC
FDNS	06ALL	0	15WP	G14_035	TO->FROM	CLEARWATER - MILAN TAP 138KV CKT 1	110	110	0.03333	106.268	DBL-THIS-WIC
FDNS	06ALL	0	15SP	G14_035	TO->FROM	CLEARWATER - MILAN TAP 138KV CKT 1	110	110	0.03332	100.0707	DBL-THIS-WIC
FDNS	06ALL	0	15SP	G14_035	FROM->TO	CURRY COUNTY INTERCHANGE - DEAF SMITH REC-#20 115KV CKT 1	96	96	0.08152	123.5747	DEAF SMITH COUNTY INTERCHANGE - PLANT X STATION 230KV CKT 1
FDNS	06ALL	0	20SP	G14_035	FROM->TO	CURRY COUNTY INTERCHANGE - DEAF SMITH REC-#20 115KV CKT 1	96	96	0.06685	106.7874	DEAF SMITH COUNTY INTERCHANGE - PLANT X STATION 230KV CKT 1
FDNS	06ALL	0	15SP	G14_035	FROM->TO	CURRY COUNTY INTERCHANGE - DEAF SMITH REC-#20 115KV CKT 1	96	96	0.06525	105.8568	LAWTON EASTSIDE - OKLAUNION 345KV CKT 1
FDNS	06ALL	0	15SP	G14_035	FROM->TO	CURRY COUNTY INTERCHANGE - DEAF SMITH REC-#20 115KV CKT 1	96	96	0.06569	97.6	SPP-SWPS-01
FDNS	06ALL	0	15SP	G14_035	FROM->TO	CURRY COUNTY INTERCHANGE - DEAF SMITH REC-#20 115KV CKT 1	96	96	0.06525	97.3	SPSCONT-01
FDNS	06ALL	0	15SP	G14_035	FROM->TO	CURRY COUNTY INTERCHANGE - DEAF SMITH REC-#20 115KV CKT 1	96	96	0.06525	97.2	OKLAUNION - TUCO INTERCHANGE 345KV CKT 1
FDNS	06ALL	0	15SP	G14_035	FROM->TO	CURRY COUNTY INTERCHANGE - DEAF SMITH REC-#20 115KV CKT 1	96	96	0.0671	96.1	NEWHART 230 - PLANT X STATION 230KV CKT 1
FDNS	06ALL	0	25SP	G14_035	FROM->TO	CURRY COUNTY INTERCHANGE - DEAF SMITH REC-#20 115KV CKT 1	96	96	0.06727	95.6	DEAF SMITH COUNTY INTERCHANGE - PLANT X STATION 230KV CKT 1
FDNS	06ALL	0	15SP	G14_035	TO->FROM	DEAF SMITH COUNTY INTERCHANGE - PLANT X STATION 230KV CKT 1	319	351	0.18361	109.7585	LAWTON EASTSIDE - OKLAUNION 345KV CKT 1
FDNS	06ALL	0	15SP	G14_035	TO->FROM	DEAF SMITH COUNTY INTERCHANGE - PLANT X STATION 230KV CKT 1	319	351	0.20177	97.5	NEWHART 230 - PLANT X STATION 230KV CKT 1
FDNS	06ALL	0	15SP	G14_035	TO->FROM	DEAF SMITH COUNTY INTERCHANGE - PLANT X STATION 230KV CKT 1	319	351	0.18613	96.9	SPP-SWPS-01
FDNS	06ALL	0	15SP	G14_035	TO->FROM	DEAF SMITH COUNTY INTERCHANGE - PLANT X STATION 230KV CKT 1	319	351	0.18361	96.3	SPSCONT-01
FDNS	06ALL	0	15SP	G14_035	TO->FROM	DEAF SMITH COUNTY INTERCHANGE - PLANT X STATION 230KV CKT 1	319	351	0.18361	96.1	OKLAUNION - TUCO INTERCHANGE 345KV CKT 1
FDNS	06ALL	0	15SP	G14_035	FROM->TO	DEAF SMITH REC-#20 - PARMER COUNTY SUB 115KV CKT 1	96	96	0.08152	110.3575	DEAF SMITH COUNTY INTERCHANGE - PLANT X STATION 230KV CKT 1
FDNS	06ALL	0	15SP	G14_035	TO->FROM	DEAF SMITH REC-#24 - PARMER COUNTY SUB 115KV CKT 1	96	96	0.08152	102.2169	DEAF SMITH COUNTY INTERCHANGE - PLANT X STATION 230KV CKT 1
FDNS	06ALL	0	20WP	G14_035	FROM->TO	EDDY_NORTH 6230.00 (WAUK WT01134) 230/115/13.2KV TRANSFORMER CKT 2	250	288	0.14005	103.8218	EDDY COUNTY INTERCHANGE - EDDY_NORTH 6230.00 230KV CKT @1
FDNS	06ALL	0	20WP	G14_035	FROM->TO	EDDY_NORTH 6230.00 (WAUK WT01134) 230/115/13.2KV TRANSFORMER CKT 2	250	288	0.14005	103.4874	EDDY COUNTY INTERCHANGE - EDDY_NORTH 6230.00 230KV CKT @1
FDNS	06ALL	0	25SP	G14_035	FROM->TO	EDDY_NORTH 6230.00 (WAUK WT01134) 230/115/13.2KV TRANSFORMER CKT 2	250	288	0.14094	101.6045	EDDY COUNTY INTERCHANGE - EDDY_NORTH 6230.00 230KV CKT @1
FDNS	06ALL	0	25SP	G14_035	FROM->TO	EDDY_NORTH 6230.00 (WAUK WT01134) 230/115/13.2KV TRANSFORMER CKT 2	250	288	0.14094	100.0691	EDDY COUNTY INTERCHANGE - EDDY_NORTH 6230.00 230KV CKT @1
FDNS	06ALL	0	15WP	G14_035	FROM->TO	EDDY_NORTH 6230.00 (WAUK WT01134) 230/115/13.2KV TRANSFORMER CKT 2	250	288	0.08605	97.1	EDDY COUNTY INTERCHANGE - EDDY_NORTH 6230.00 230KV CKT @1
FDNS	06ALL	0	15WP	G14_035	FROM->TO	EDDY_NORTH 6230.00 (WAUK WT01134) 230/115/13.2KV TRANSFORMER CKT 2	250	288	0.08605	97.1	EDDY COUNTY INTERCHANGE - EDDY_NORTH 6230.00 230KV CKT @1
FDNS	06ALL	0	15G	G14_035	FROM->TO	ELK CITY 230KV (ELKCTY-6) 230/138/13.8KV TRANSFORMER CKT 1	287	316	0.11406	107.0627	LAWTON EASTSIDE - OKLAUNION 345KV CKT 1
FDNS	06ALL	0	15G	G14_035	FROM->TO	ELK CITY 230KV (ELKCTY-6) 230/138/13.8KV TRANSFORMER CKT 1	287	316	0.11406	105.2129	LAWTON EASTSIDE - OKLAUNION 345KV CKT 1
FDNS	06ALL	0	15SP	G14_035	FROM->TO	ELK CITY 230KV (ELKCTY-6) 230/138/13.8KV TRANSFORMER CKT 1	272	316	0.12218	100.158	LAWTON EASTSIDE - OKLAUNION 345KV CKT 1
FDNS	06ALL	0	15WP	G14_035	FROM->TO	ELK CITY 230KV (ELKCTY-6) 230/138/13.8KV TRANSFORMER CKT 1	287	316	0.12563	100.0101	LAWTON EASTSIDE - OKLAUNION 345KV CKT 1
FDNS	06ALL	0	15SP	G14_035	FROM->TO	ELK CITY 230KV (ELKCTY-6) 230/138/13.8KV TRANSFORMER CKT 1	272	316	0.12218	98.72061	LAWTON EASTSIDE - OKLAUNION 345KV CKT 1
FDNS	06ALL	0	15WP	G14_035	FROM->TO	ELK CITY 230KV (ELKCTY-6) 230/138/13.8KV TRANSFORMER CKT 1	287	316	0.12563	98.59541	LAWTON EASTSIDE - OKLAUNION 345KV CKT 1
FDNS	06ALL	0	15G	G14_035	FROM->TO	ELK CITY 230KV (ELKCTY-6) 230/138/13.8KV TRANSFORMER CKT 1	287	316	0.10181	98.1	DBL-G1114-WW
FDNS	06ALL	0	15G	G14_035	FROM->TO	ELK CITY 230KV (ELKCTY-6) 230/138/13.8KV TRANSFORMER CKT 1	287	316	0.11406	97.8	SPSCONT-01
FDNS	06ALL	0	15G	G14_035	FROM->TO	ELK CITY 230KV (ELKCTY-6) 230/138/13.8KV TRANSFORMER CKT 1	287	316	0.11577	97.7	SPP-SWPS-01
FDNS	06ALL	0	15G	G14_035	FROM->TO	ELK CITY 230KV (ELKCTY-6) 230/138/13.8KV TRANSFORMER CKT 1	287	316	0.10181	96.9	DBL-BVR-G111
FDNS	06ALL	0	15G	G14_035	FROM->TO	ELK CITY 230KV (ELKCTY-6) 230/138/13.8KV TRANSFORMER CKT 1	287	316	0.10181	96.8	DBL-G1114-WW
FDNS	06ALL	0	15G	G14_035	FROM->TO	ELK CITY 230KV (ELKCTY-6) 230/138/13.8KV TRANSFORMER CKT 1	287	316	0.11406	96.7	SPSCONT-01
FDNS	06ALL	0	15G	G14_035	FROM->TO	ELK CITY 230KV (ELKCTY-6) 230/138/13.8KV TRANSFORMER CKT 1	287	316	0.11577	96.6	SPP-SWPS-01
FDNS	06ALL	0	15G	G14_035	FROM->TO	ELK CITY 230KV (ELKCTY-6) 230/138/13.8KV TRANSFORMER CKT 1	287	316	0.11406	96.5	OKLAUNION - TUCO INTERCHANGE 345KV CKT 1
FDNS	06ALL	0	15G	G14_035	FROM->TO	ELK CITY 230KV (ELKCTY-6) 230/138/13.8KV TRANSFORMER CKT 1	287	316	0.10181	95.7	DBL-BVR-G111
FDNS	06ALL	0	15G	G14_035	FROM->TO	ELK CITY 230KV (ELKCTY-6) 230/138/13.8KV TRANSFORMER CKT 1	287	316	0.11406	95.3	OKLAUNION - TUCO INTERCHANGE 345KV CKT 1
FDNS	06ALL	0	15SP	G14_035	TO->FROM	FLATRDG3 - THISTLE4 138.00 138KV CKT 1	286	286	0.04795	98.2	DBL-THIS-WIC
FDNS	06ALL	0	15G	G14_035	TO->FROM	FPL SWITCH - WOODWARD 138KV CKT 1	133	153	0.04553	161.177	NORTHWEST - TATONGA7 345.00 345KV CKT 1
FDNS	06ALL	0	15G	G14_035	TO->FROM	FPL SWITCH - WOODWARD 138KV CKT 1	133	153	0.05349	159.4244	DBL-THIS-WWR
FDNS	06ALL	0	15G	G14_035	TO->FROM	FPL SWITCH - WOODWARD 138KV CKT 1	133	153	0.04553	157.7992	SPSCONT-05B
FDNS	06ALL	0	15G	G14_035	TO->FROM	FPL SWITCH - WOODWARD 138KV CKT 1	133	153	0.04553	157.271	SPSCONT-04

SOLUTION	GROUP	SCENARIO	SEASON	SOURCE	DIRECTION	MONITORED ELEMENT	RATEA (MVA)	RATEB(MVA)	TDF	TC%LOADING (% MVA)	CONTINGENCY
FDNS	06ALL	0	15G	G14_035	TO->FROM	FPL SWITCH - WOODWARD 138KV CKT 1	133	153	0.04297	154.1519	DBL-THIS-WIC
FDNS	06ALL	0	15G	G14_035	TO->FROM	FPL SWITCH - WOODWARD 138KV CKT 1	133	153	0.04666	152.6111	LAWTON EASTSIDE - OKLAUNION 345KV CKT 1
FDNSLock	06ALL	0	15G	G14_035	TO->FROM	FPL SWITCH - WOODWARD 138KV CKT 1	133	153	0.04553	147.3779	G11_051T 345.00 - TATONGA7 345.00 345KV CKT 1
FDNS	06ALL	0	15G	G14_035	TO->FROM	FPL SWITCH - WOODWARD 138KV CKT 1	133	153	0.04553	146.4061	G11_051T 345.00 - WOODWARD DISTRICT EHV 345KV CKT 1
FDNS	06ALL	0	15G	G14_035	TO->FROM	FPL SWITCH - WOODWARD 138KV CKT 1	133	153	0.03181	143.416	WOODWARD (WOODWRD2) 138/69/13.2KV TRANSFORMER CKT 1
FDNS	06ALL	0	15G	G14_035	TO->FROM	FPL SWITCH - WOODWARD 138KV CKT 1	133	153	0.04553	143.1258	SPSCONT-05AX
FDNS	06ALL	0	15G	G14_035	TO->FROM	FPL SWITCH - WOODWARD 138KV CKT 1	133	153	0.04191	142.5155	ELK CITY 230KV - SWEETWATER 230KV CKT 1
FDNS	06ALL	0	15G	G14_035	TO->FROM	FPL SWITCH - WOODWARD 138KV CKT 1	133	153	0.04191	142.4842	ELK CITY 230KV (ELKCTY-6) 230/138/13.8KV TRANSFORMER CKT 1
FDNS	06ALL	0	15G	G14_035	TO->FROM	FPL SWITCH - WOODWARD 138KV CKT 1	133	153	0.04666	141.4059	SPSCONT-01
FDNS	06ALL	0	15G	G14_035	TO->FROM	FPL SWITCH - WOODWARD 138KV CKT 1	133	153	0.04213	140.0428	SPP-SWPS-03
FDNS	06ALL	0	15G	G14_035	TO->FROM	FPL SWITCH - WOODWARD 138KV CKT 1	133	153	0.04666	139.1883	OKLAUNION - TUCO INTERCHANGE 345KV CKT 1
FDNS	06ALL	0	15G	G14_035	TO->FROM	FPL SWITCH - WOODWARD 138KV CKT 1	133	153	0.04191	138.8333	SPP-SWPS-02A
FDNS	06ALL	0	15G	G14_035	TO->FROM	FPL SWITCH - WOODWARD 138KV CKT 1	133	153	0.04191	138.6923	GRAPEVINE INTERCHANGE - STATELINE INTERCHANGE 230KV CKT 1
FDNS	06ALL	0	15G	G14_035	TO->FROM	FPL SWITCH - WOODWARD 138KV CKT 1	133	153	0.04608	138.6877	SPP-SWPS-01
FDNS	06ALL	0	15G	G14_035	TO->FROM	FPL SWITCH - WOODWARD 138KV CKT 1	133	153	0.03383	137.3732	IODINE - WOODWARD EHV 138KV CKT 1
FDNS	06ALL	0	15G	G14_035	TO->FROM	FPL SWITCH - WOODWARD 138KV CKT 1	133	153	0.03383	135.335	DEWEY - IODINE 138KV CKT 1
FDNS	06ALL	0	15G	G14_035	TO->FROM	FPL SWITCH - WOODWARD 138KV CKT 1	133	153	0.04191	133.3058	STATELINE INTERCHANGE - STLN-DEMARC6 230KV CKT 1
FDNS	06ALL	0	15G	G14_035	TO->FROM	FPL SWITCH - WOODWARD 138KV CKT 1	133	153	0.04191	133.0811	SPP-SWPS-02
FDNS	06ALL	0	15G	G14_035	TO->FROM	FPL SWITCH - WOODWARD 138KV CKT 1	133	153	0.04191	133.0154	STLN-DEMARC6 - SWEETWATER 230KV CKT 1
FDNS	06ALL	0	15G	G14_035	TO->FROM	FPL SWITCH - WOODWARD 138KV CKT 1	133	153	0.03448	130.54	GRAPEVINE INTERCHANGE - NICHOLS STATION 230KV CKT 1
FDNS	06ALL	0	15G	G14_035	TO->FROM	FPL SWITCH - WOODWARD 138KV CKT 1	133	153	0.03181	130.0405	WOODWARD - WOODWARD 69KV CKT 1
FDNS	06ALL	0	15G	G14_035	TO->FROM	FPL SWITCH - WOODWARD 138KV CKT 1	133	153	0.03456	126.126	THISTLE7 345.00 - WOODWARD DISTRICT EHV 345KV CKT 1
FDNS	06ALL	0	15G	G14_035	TO->FROM	FPL SWITCH - WOODWARD 138KV CKT 1	133	153	0.03456	126.126	THISTLE7 345.00 - WOODWARD DISTRICT EHV 345KV CKT 2
FDNS	06ALL	0	15G	G14_035	TO->FROM	FPL SWITCH - WOODWARD 138KV CKT 1	133	153	0.03415	124.5649	FINNEY SWITCHING STATION - HOLCOMB 345KV CKT 1
FDNS	06ALL	0	15G	G14_035	TO->FROM	FPL SWITCH - WOODWARD 138KV CKT 1	133	153	0.03166	124.1871	THISTLE7 345.00 - WICHITA 345KV CKT 1
FDNS	06ALL	0	15G	G14_035	TO->FROM	FPL SWITCH - WOODWARD 138KV CKT 1	133	153	0.03166	124.1871	THISTLE7 345.00 - WICHITA 345KV CKT 2
FDNS	06ALL	0	15G	G14_035	TO->FROM	FPL SWITCH - WOODWARD 138KV CKT 1	133	153	0.03415	123.3196	SPP-SWPS-05
FDNS	06ALL	0	15G	G14_035	TO->FROM	FPL SWITCH - WOODWARD 138KV CKT 1	133	153	0.03415	123.2614	FINNEY SWITCHING STATION - Hitchland Interchange 345KV CKT 1
FDNS	06ALL	0	15G	G14_035	TO->FROM	FPL SWITCH - WOODWARD 138KV CKT 1	133	153	0.03156	120.7972	ELLIS 4 138.00 - RED HILLS WIND 138KV CKT 1
FDNS	06ALL	0	15G	G14_035	TO->FROM	FPL SWITCH - WOODWARD 138KV CKT 1	133	153	0.03156	118.2357	ELLIS 4 138.00 - MOREWOOD SW 138KV CKT 1
FDNS	06ALL	0	15SP	G14_035	TO->FROM	FPL SWITCH - WOODWARD 138KV CKT 1	133	153	0.0567	111.3808	DBL-THIS-WWR
FDNSLock	06ALL	0	15G	G14_035	TO->FROM	FPL SWITCH - WOODWARD 138KV CKT 1	133	153	0.03156	105.8896	ELK CITY - RED HILLS WIND 138KV CKT 1
FDNS	06ALL	0	15SP	G14_035	TO->FROM	FPL SWITCH - WOODWARD 138KV CKT 1	133	153	0.04844	105.3952	NORTHWEST - TATONGA7 345.00 345KV CKT 1
FDNS	06ALL	0	15SP	G14_035	TO->FROM	FPL SWITCH - WOODWARD 138KV CKT 1	133	153	0.04963	104.8311	LAWTON EASTSIDE - OKLAUNION 345KV CKT 1
FDNS	06ALL	0	15SP	G14_035	TO->FROM	FPL SWITCH - WOODWARD 138KV CKT 1	133	153	0.04844	102.6277	SPSCONT-05B
FDNS	06ALL	0	15SP	G14_035	TO->FROM	FPL SWITCH - WOODWARD 138KV CKT 1	133	153	0.04844	101.4863	SPSCONT-04
FDNS	06ALL	0	15SP	G14_035	TO->FROM	FPL SWITCH - WOODWARD 138KV CKT 1	133	153	0.04587	100.8287	DBL-THIS-WIC
FDNS	06ALL	0	15SP	G14_035	TO->FROM	FPL SWITCH - WOODWARD 138KV CKT 1	133	153	0.03508	97.7	WOODWARD (WOODWRD2) 138/69/13.2KV TRANSFORMER CKT 1
FDNS	06ALL	0	20WP	G14_035	TO->FROM	FPL SWITCH - WOODWARD 138KV CKT 1	171	185	0.05133	96.8	NORTHWEST - TATONGA7 345.00 345KV CKT 1
FDNS	06ALL	0	20WP	G14_035	TO->FROM	FPL SWITCH - WOODWARD 138KV CKT 1	171	185	0.06057	96	DBL-THIS-WWR
FDNS	06ALL	0	15G	G14_035	TO->FROM	GRAPEVINE INTERCHANGE - NICHOLS STATION 230KV CKT 1	319	351	0.10244	104.4035	LAWTON EASTSIDE - OKLAUNION 345KV CKT 1
FDNS	06ALL	0	20WP	G14_035	TO->FROM	GRAPEVINE INTERCHANGE - NICHOLS STATION 230KV CKT 1	329	361	0.13132	102.8268	LAWTON EASTSIDE - OKLAUNION 345KV CKT 1
FDNS	06ALL	0	15SP	G14_035	TO->FROM	GRAPEVINE INTERCHANGE - NICHOLS STATION 230KV CKT 1	319	351	0.10399	99.65252	LAWTON EASTSIDE - OKLAUNION 345KV CKT 1
FDNS	06ALL	0	15G	G14_035	FROM->TO	GRAPEVINE INTERCHANGE - STATELINE INTERCHANGE 230KV CKT 1	319	351	0.11406	96.46441	LAWTON EASTSIDE - OKLAUNION 345KV CKT 1
FDNS	06ALL	0	15G	G14_035	FROM->TO	HARPER - MILAN TAP 138KV CKT 1	138	143	0.03309	116.5991	DBL-THIS-WIC
FDNS	06ALL	0	15SP	G14_035	FROM->TO	HARPER - MILAN TAP 138KV CKT 1	127	136	0.03332	104.5127	DBL-THIS-WIC
FDNS	06ALL	0	15WP	G14_035	FROM->TO	HARPER - MILAN TAP 138KV CKT 1	143	143	0.03333	102.8215	DBL-THIS-WIC
FDNS	06ALL	0	15G	G14_035	TO->FROM	PLANT X STATION - TOLK STATION EAST 230KV CKT 2	478	502	0.05097	108.0605	SPP-SWPS-06
FDNS	06ALL	0	15WP	G14_035	TO->FROM	PLANT X STATION - TOLK STATION EAST 230KV CKT 2	557	557	0.36055	99.8	PLANT X STATION - TOLK STATION WEST 230KV CKT 1
FDNS	06ALL	0	20SP	G14_035	TO->FROM	PLANT X STATION - TOLK STATION EAST 230KV CKT 2	478	502	0.29787	96.1	PLANT X STATION - TOLK STATION WEST 230KV CKT 1
FDNS	06ALL	0	20SP	G14_035	TO->FROM	PLANT X STATION - TOLK STATION WEST 230KV CKT 1	478	502	0.30062	96.8	PLANT X STATION - TOLK STATION EAST 230KV CKT 2
FDNS	06ALL	0	15SP	G14_035	FROM->TO	PLANT X STATION (WH ALM20171) 230/115/13.2KV TRANSFORMER CKT 1	252	252	0.10825	106.868	NEWHART 230 - PLANT X STATION 230KV CKT 1
FDNS	06ALL	0	15SP	G14_035	FROM->TO	PLANT X STATION (WH ALM20171) 230/115/13.2KV TRANSFORMER CKT 1	252	252	0.07352	104.7391	SPP-SWPS-K37
FDNS	06ALL	0	15SP	G14_035	FROM->TO	PLANT X STATION (WH ALM20171) 230/115/13.2KV TRANSFORMER CKT 1	252	252	0.07352	104.739	LAMB COUNTY INTERCHANGE (WH ALM20172) 230/115/13.2KV TRANSFORMER CKT 1
FDNS	06ALL	0	15SP	G14_035	FROM->TO	PLANT X STATION (WH ALM20171) 230/115/13.2KV TRANSFORMER CKT 1	252	252	0.07352	104.7164	LAMB COUNTY INTERCHANGE - TOLK STATION WEST 230KV CKT 1
FDNS	06ALL	0	15SP	G14_035	FROM->TO	PLANT X STATION (WH ALM20171) 230/115/13.2KV TRANSFORMER CKT 1	252	252	0.10825	104.1846	NEWHART 230 - PLANT X STATION 230KV CKT 1
FDNS	06ALL	0	15SP	G14_035	FROM->TO	PLANT X STATION (WH ALM20171) 230/115/13.2KV TRANSFORMER CKT 1	252	252	0.09193	102.4562	DEAF SMITH COUNTY INTERCHANGE - PLANT X STATION 230KV CKT 1
FDNS	06ALL	0	15SP	G14_035	FROM->TO	PLANT X STATION (WH ALM20171) 230/115/13.2KV TRANSFORMER CKT 1	252	252	0.07352	102.3057	SPP-SWPS-K37
FDNS	06ALL	0	15SP	G14_035	FROM->TO	PLANT X STATION (WH ALM20171) 230/115/13.2KV TRANSFORMER CKT 1	252	252	0.07352	102.3056	LAMB COUNTY INTERCHANGE (WH ALM20172) 230/115/13.2KV TRANSFORMER CKT 1
FDNS	06ALL	0	15SP	G14_035	FROM->TO	PLANT X STATION (WH ALM20171) 230/115/13.2KV TRANSFORMER CKT 1	252	252	0.07352	102.2824	LAMB COUNTY INTERCHANGE - TOLK STATION WEST 230KV CKT 1
FDNS	06ALL	0	15SP	G14_035	FROM->TO	PLANT X STATION (WH ALM20171) 230/115/13.2KV TRANSFORMER CKT 1	252	252	0.09193	99.7	DEAF SMITH COUNTY INTERCHANGE - PLANT X STATION 230KV CKT 1
FDNS	06ALL	0	15SP	G14_035	FROM->TO	PLANT X STATION (WH ALM20171) 230/115/13.2KV TRANSFORMER CKT 1	252	252	0.06402	95.5	GEN525493 1-PLANT X GEN #3
FDNS	06ALL	0	15G	G14_035	FROM->TO	POTASH JUNCTION INTERCHANGE (GE M100747) 230/115/13.2KV TRANSFORMER CKT 1	150	150	0.04472	99.9	CARLSBAD INTERCHANGE - PECOS INTERCHANGE 115KV CKT 1
FDNS	06ALL	0	15G	G14_035	FROM->TO	POTASH JUNCTION INTERCHANGE (GE M100747) 230/115/13.2KV TRANSFORMER CKT 1	150	150	0.04472	96	CARLSBAD INTERCHANGE - PECOS INTERCHANGE 115KV CKT 1
FDNS	06ALL	0	20WP	G14_035	FROM->TO	TUCO INTERCHANGE (GE M1022338) 345/230/13.2KV TRANSFORMER CKT 1	560	560	0.19479	106.7638	TUCO INTERCHANGE (SIEM 8743066) 345/230/13.2KV TRANSFORMER CKT 2
FDNS	06ALL	0	20WP	G14_035	FROM->TO	TUCO INTERCHANGE (GE M1022338) 345/230/13.2KV TRANSFORMER CKT 1	560	560	0.19479	104.8093	TUCO INTERCHANGE (SIEM 8743066) 345/230/13.2KV TRANSFORMER CKT 2
FDNS	06ALL	2	25SP	G14_035	TO->FROM	CARLSBAD INTERCHANGE - PECOS INTERCHANGE 115KV CKT 1	141	141	0.06588	116.6872	HOBBS - KIOWA 7345.00 345KV CKT 1
FDNS	06ALL	2	15SP	G14_035	FROM->TO	CHAVES COUNTY INTERCHANGE - SAMSON SUB 115KV CKT 1	120	154	0.16506	102.4266	CHAVES COUNTY INTERCHANGE - URTON SUB 115KV CKT 1
FDNS	06ALL	2	15SP	G14_035	FROM->TO	CHAVES COUNTY INTERCHANGE - URTON SUB 115KV CKT 1	159	160	0.1647	99.6	CHAVES COUNTY INTERCHANGE - SAMSON SUB 115KV CKT 1
FDNS	06ALL	2	15G	G14_035	FROM->TO	CLEARWATER - GILL ENERGY CENTER WEST 138KV CKT 1	143	143	0.03297	100.3876	DBL-THIS-WIC
FDNS	06ALL	2	15G	G14_035	TO->FROM	CLEARWATER - MILAN TAP 138KV CKT 1	110	110	0.03297	139.9774	DBL-THIS-WIC
FDNS	06ALL	2	20WP	G14_035	TO->FROM	CLEARWATER - MILAN TAP 138KV CKT 1	110	110	0.03303	108.5614	DBL-THIS-WIC

SOLUTION	GROUP	SCENARIO	SEASON	SOURCE	DIRECTION	MONITORED ELEMENT	RATEA (MVA)	RATEB(MVA)	TC%LOADING TDF	(% MVA)	CONTINGENCY
FDNS	06ALL	2	15WP	G14_035	TO->FROM	CLEARWATER - MILAN TAP 138KV CKT 1	110	110	0.03322	106.1489	DBL-THIS-WIC
FDNS	06ALL	2	15SP	G14_035	TO->FROM	CLEARWATER - MILAN TAP 138KV CKT 1	110	110	0.03321	100	DBL-THIS-WIC
FDNS	06ALL	2	15SP	G14_035	FROM->TO	CURRY COUNTY INTERCHANGE - DEAF SMITH REC-#20 115KV CKT 1	96	96	0.08115	123.1635	DEAF SMITH COUNTY INTERCHANGE - PLANT X STATION 230KV CKT 1
FDNS	06ALL	2	20SP	G14_035	FROM->TO	CURRY COUNTY INTERCHANGE - DEAF SMITH REC-#20 115KV CKT 1	96	96	0.06681	106.7095	DEAF SMITH COUNTY INTERCHANGE - PLANT X STATION 230KV CKT 1
FDNS	06ALL	2	15SP	G14_035	FROM->TO	CURRY COUNTY INTERCHANGE - DEAF SMITH REC-#20 115KV CKT 1	96	96	0.06519	105.7855	LAWTON EASTSIDE - OKLAUNION 345KV CKT 1
FDNS	06ALL	2	15SP	G14_035	FROM->TO	CURRY COUNTY INTERCHANGE - DEAF SMITH REC-#20 115KV CKT 1	96	96	0.06539	97.4	SPP-SWPS-01
FDNS	06ALL	2	15SP	G14_035	FROM->TO	CURRY COUNTY INTERCHANGE - DEAF SMITH REC-#20 115KV CKT 1	96	96	0.06519	97.2	SPSCONT-01
FDNS	06ALL	2	15SP	G14_035	FROM->TO	CURRY COUNTY INTERCHANGE - DEAF SMITH REC-#20 115KV CKT 1	96	96	0.06519	97.1	OKLAUNION - TUCO INTERCHANGE 345KV CKT 1
FDNS	06ALL	2	15SP	G14_035	FROM->TO	CURRY COUNTY INTERCHANGE - DEAF SMITH REC-#20 115KV CKT 1	96	96	0.06695	95.9	NEWHART 230 - PLANT X STATION 230KV CKT 1
FDNS	06ALL	2	25SP	G14_035	FROM->TO	CURRY COUNTY INTERCHANGE - DEAF SMITH REC-#20 115KV CKT 1	96	96	0.06722	95.5	DEAF SMITH COUNTY INTERCHANGE - PLANT X STATION 230KV CKT 1
FDNS	06ALL	2	15SP	G14_035	TO->FROM	DEAF SMITH COUNTY INTERCHANGE - PLANT X STATION 230KV CKT 1	319	351	0.18314	109.6348	LAWTON EASTSIDE - OKLAUNION 345KV CKT 1
FDNS	06ALL	2	15SP	G14_035	TO->FROM	DEAF SMITH COUNTY INTERCHANGE - PLANT X STATION 230KV CKT 1	319	351	0.20074	97.1	NEWHART 230 - PLANT X STATION 230KV CKT 1
FDNS	06ALL	2	15SP	G14_035	TO->FROM	DEAF SMITH COUNTY INTERCHANGE - PLANT X STATION 230KV CKT 1	319	351	0.18425	96.4	SPP-SWPS-01
FDNS	06ALL	2	15SP	G14_035	TO->FROM	DEAF SMITH COUNTY INTERCHANGE - PLANT X STATION 230KV CKT 1	319	351	0.18314	96.1	SPSCONT-01
FDNS	06ALL	2	15SP	G14_035	TO->FROM	DEAF SMITH COUNTY INTERCHANGE - PLANT X STATION 230KV CKT 1	319	351	0.18314	96	OKLAUNION - TUCO INTERCHANGE 345KV CKT 1
FDNS	06ALL	2	15SP	G14_035	FROM->TO	DEAF SMITH REC-#20 - PARMER COUNTY SUB 115KV CKT 1	96	96	0.08115	109.9541	DEAF SMITH COUNTY INTERCHANGE - PLANT X STATION 230KV CKT 1
FDNS	06ALL	2	15SP	G14_035	TO->FROM	DEAF SMITH REC-#24 - PARMER COUNTY SUB 115KV CKT 1	96	96	0.08115	101.8097	DEAF SMITH COUNTY INTERCHANGE - PLANT X STATION 230KV CKT 1
FDNS	06ALL	2	20WP	G14_035	FROM->TO	EDDY_NORTH 6230.00 (WAUK WT01134) 230/115/13.2KV TRANSFORMER CKT 2	250	288	0.13936	103.1673	EDDY COUNTY INTERCHANGE - EDDY_NORTH 6230.00 230KV CKT @1
FDNS	06ALL	2	20WP	G14_035	FROM->TO	EDDY_NORTH 6230.00 (WAUK WT01134) 230/115/13.2KV TRANSFORMER CKT 2	250	288	0.13936	102.8177	EDDY COUNTY INTERCHANGE - EDDY_NORTH 6230.00 230KV CKT @1
FDNS	06ALL	2	25SP	G14_035	FROM->TO	EDDY_NORTH 6230.00 (WAUK WT01134) 230/115/13.2KV TRANSFORMER CKT 2	250	288	0.14024	101.5495	EDDY COUNTY INTERCHANGE - EDDY_NORTH 6230.00 230KV CKT @1
FDNS	06ALL	2	25SP	G14_035	FROM->TO	EDDY_NORTH 6230.00 (WAUK WT01134) 230/115/13.2KV TRANSFORMER CKT 2	250	288	0.14024	100	EDDY COUNTY INTERCHANGE - EDDY_NORTH 6230.00 230KV CKT @1
FDNS	06ALL	2	15WP	G14_035	FROM->TO	EDDY_NORTH 6230.00 (WAUK WT01134) 230/115/13.2KV TRANSFORMER CKT 2	250	288	0.08609	97.1	EDDY COUNTY INTERCHANGE - EDDY_NORTH 6230.00 230KV CKT @1
FDNS	06ALL	2	15WP	G14_035	FROM->TO	EDDY_NORTH 6230.00 (WAUK WT01134) 230/115/13.2KV TRANSFORMER CKT 2	250	288	0.08609	97.1	EDDY COUNTY INTERCHANGE - EDDY_NORTH 6230.00 230KV CKT @1
FDNS	06ALL	2	15G	G14_035	FROM->TO	ELK CITY 230KV (ELKCTY-6) 230/138/13.8KV TRANSFORMER CKT 1	287	316	0.11345	106.8055	LAWTON EASTSIDE - OKLAUNION 345KV CKT 1
FDNS	06ALL	2	15G	G14_035	FROM->TO	ELK CITY 230KV (ELKCTY-6) 230/138/13.8KV TRANSFORMER CKT 1	287	316	0.11345	104.9756	LAWTON EASTSIDE - OKLAUNION 345KV CKT 1
FDNS	06ALL	2	15SP	G14_035	FROM->TO	ELK CITY 230KV (ELKCTY-6) 230/138/13.8KV TRANSFORMER CKT 1	272	316	0.12154	100.0284	LAWTON EASTSIDE - OKLAUNION 345KV CKT 1
FDNS	06ALL	2	15WP	G14_035	FROM->TO	ELK CITY 230KV (ELKCTY-6) 230/138/13.8KV TRANSFORMER CKT 1	287	316	0.12497	99.83074	LAWTON EASTSIDE - OKLAUNION 345KV CKT 1
FDNS	06ALL	2	15SP	G14_035	FROM->TO	ELK CITY 230KV (ELKCTY-6) 230/138/13.8KV TRANSFORMER CKT 1	272	316	0.12154	98.59394	LAWTON EASTSIDE - OKLAUNION 345KV CKT 1
FDNS	06ALL	2	15WP	G14_035	FROM->TO	ELK CITY 230KV (ELKCTY-6) 230/138/13.8KV TRANSFORMER CKT 1	287	316	0.12497	98.42802	LAWTON EASTSIDE - OKLAUNION 345KV CKT 1
FDNS	06ALL	2	15G	G14_035	FROM->TO	ELK CITY 230KV (ELKCTY-6) 230/138/13.8KV TRANSFORMER CKT 1	287	316	0.11345	97.6	SPSCONT-01
FDNS	06ALL	2	15G	G14_035	FROM->TO	ELK CITY 230KV (ELKCTY-6) 230/138/13.8KV TRANSFORMER CKT 1	287	316	0.09945	96.8	DBL-G1114-WW
FDNS	06ALL	2	15G	G14_035	FROM->TO	ELK CITY 230KV (ELKCTY-6) 230/138/13.8KV TRANSFORMER CKT 1	287	316	0.11404	96.7	SPP-SWPS-01
FDNS	06ALL	2	15G	G14_035	FROM->TO	ELK CITY 230KV (ELKCTY-6) 230/138/13.8KV TRANSFORMER CKT 1	287	316	0.11345	96.5	SPSCONT-01
FDNS	06ALL	2	15G	G14_035	FROM->TO	ELK CITY 230KV (ELKCTY-6) 230/138/13.8KV TRANSFORMER CKT 1	287	316	0.11345	96.2	OKLAUNION - TUCO INTERCHANGE 345KV CKT 1
FDNS	06ALL	2	15G	G14_035	FROM->TO	ELK CITY 230KV (ELKCTY-6) 230/138/13.8KV TRANSFORMER CKT 1	287	316	0.11404	95.7	SPP-SWPS-01
FDNS	06ALL	2	15G	G14_035	FROM->TO	ELK CITY 230KV (ELKCTY-6) 230/138/13.8KV TRANSFORMER CKT 1	287	316	0.09945	95.6	DBL-G1114-WW
FDNS	06ALL	2	15G	G14_035	FROM->TO	ELK CITY 230KV (ELKCTY-6) 230/138/13.8KV TRANSFORMER CKT 1	287	316	0.09945	95.5	DBL-BVR-G111
FDNS	06ALL	2	15G	G14_035	FROM->TO	ELK CITY 230KV (ELKCTY-6) 230/138/13.8KV TRANSFORMER CKT 1	287	316	0.11345	95.1	OKLAUNION - TUCO INTERCHANGE 345KV CKT 1
FDNS	06ALL	2	15SP	G14_035	TO->FROM	FLATRDG3 - THISTLE4 138.00 138KV CKT 1	286	286	0.04785	98.1	DBL-THIS-WIC
FDNS	06ALL	2	15G	G14_035	TO->FROM	FPL SWITCH - WOODWARD 138KV CKT 1	133	153	0.0455	161.0764	NORTHWEST - TATONGA7 345.00 345KV CKT 1
FDNS	06ALL	2	15G	G14_035	TO->FROM	FPL SWITCH - WOODWARD 138KV CKT 1	133	153	0.05355	159.4718	DBL-THIS-WWR
FDNS	06ALL	2	15G	G14_035	TO->FROM	FPL SWITCH - WOODWARD 138KV CKT 1	133	153	0.0455	157.784	SPSCONT-05B
FDNS	06ALL	2	15G	G14_035	TO->FROM	FPL SWITCH - WOODWARD 138KV CKT 1	133	153	0.0455	157.1004	SPSCONT-04
FDNS	06ALL	2	15G	G14_035	TO->FROM	FPL SWITCH - WOODWARD 138KV CKT 1	133	153	0.04297	154.0923	DBL-THIS-WIC
FDNS	06ALL	2	15G	G14_035	TO->FROM	FPL SWITCH - WOODWARD 138KV CKT 1	133	153	0.04686	152.7189	LAWTON EASTSIDE - OKLAUNION 345KV CKT 1
FDNS	06ALL	2	15G	G14_035	TO->FROM	FPL SWITCH - WOODWARD 138KV CKT 1	133	153	0.0455	147.5378	G11_051T 345.00 - TATONGA7 345.00 345KV CKT 1
FDNS	06ALL	2	15G	G14_035	TO->FROM	FPL SWITCH - WOODWARD 138KV CKT 1	133	153	0.0455	146.3224	G11_051T 345.00 - WOODWARD DISTRICT EHV 345KV CKT 1
FDNS	06ALL	2	15G	G14_035	TO->FROM	FPL SWITCH - WOODWARD 138KV CKT 1	133	153	0.03185	143.4813	WOODWARD (WOODWRD2) 138/69/13.2KV TRANSFORMER CKT 1
FDNS	06ALL	2	15G	G14_035	TO->FROM	FPL SWITCH - WOODWARD 138KV CKT 1	133	153	0.0455	143.1119	SPSCONT-05AX
FDNS	06ALL	2	15G	G14_035	TO->FROM	FPL SWITCH - WOODWARD 138KV CKT 1	133	153	0.04168	142.197	ELK CITY 230KV - SWEETWATER 230KV CKT 1
FDNS	06ALL	2	15G	G14_035	TO->FROM	FPL SWITCH - WOODWARD 138KV CKT 1	133	153	0.04168	142.1652	ELK CITY 230KV (ELKCTY-6) 230/138/13.8KV TRANSFORMER CKT 1
FDNS	06ALL	2	15G	G14_035	TO->FROM	FPL SWITCH - WOODWARD 138KV CKT 1	133	153	0.04686	141.5791	SPSCONT-01
FDNS	06ALL	2	15G	G14_035	TO->FROM	FPL SWITCH - WOODWARD 138KV CKT 1	133	153	0.0419	139.7583	SPP-SWPS-03
FDNS	06ALL	2	15G	G14_035	TO->FROM	FPL SWITCH - WOODWARD 138KV CKT 1	133	153	0.04686	139.3711	OKLAUNION - TUCO INTERCHANGE 345KV CKT 1
FDNS	06ALL	2	15G	G14_035	TO->FROM	FPL SWITCH - WOODWARD 138KV CKT 1	133	153	0.04667	139.1429	SPP-SWPS-01
FDNS	06ALL	2	15G	G14_035	TO->FROM	FPL SWITCH - WOODWARD 138KV CKT 1	133	153	0.04168	138.6541	SPP-SWPS-02A
FDNS	06ALL	2	15G	G14_035	TO->FROM	FPL SWITCH - WOODWARD 138KV CKT 1	133	153	0.04168	138.3635	GRAPEVINE INTERCHANGE - STATELINE INTERCHANGE 230KV CKT 1
FDNSLock	06ALL	2	15G	G14_035	TO->FROM	FPL SWITCH - WOODWARD 138KV CKT 1	133	153	0.03386	137.0502	IODINE - WOODWARD EHV 138KV CKT 1
FDNS	06ALL	2	15G	G14_035	TO->FROM	FPL SWITCH - WOODWARD 138KV CKT 1	133	153	0.03386	135.4149	DEWEY - IODINE 138KV CKT 1
FDNS	06ALL	2	15G	G14_035	TO->FROM	FPL SWITCH - WOODWARD 138KV CKT 1	133	153	0.04168	132.7991	STATELINE INTERCHANGE - STLN-DEMARC6 230KV CKT 1
FDNS	06ALL	2	15G	G14_035	TO->FROM	FPL SWITCH - WOODWARD 138KV CKT 1	133	153	0.04168	132.7953	SPP-SWPS-02
FDNS	06ALL	2	15G	G14_035	TO->FROM	FPL SWITCH - WOODWARD 138KV CKT 1	133	153	0.04168	132.7834	STLN-DEMARC6 - SWEETWATER 230KV CKT 1
FDNS	06ALL	2	15G	G14_035	TO->FROM	FPL SWITCH - WOODWARD 138KV CKT 1	133	153	0.0344	130.4683	GRAPEVINE INTERCHANGE - NICHOLS STATION 230KV CKT 1
FDNS	06ALL	2	15G	G14_035	TO->FROM	FPL SWITCH - WOODWARD 138KV CKT 1	133	153	0.03185	130.1106	WOODWARD - WOODWARD 69KV CKT 1
FDNS	06ALL	2	15G	G14_035	TO->FROM	FPL SWITCH - WOODWARD 138KV CKT 1	133	153	0.03461	126.1934	THISTLE7 345.00 - WOODWARD DISTRICT EHV 345KV CKT 1
FDNS	06ALL	2	15G	G14_035	TO->FROM	FPL SWITCH - WOODWARD 138KV CKT 1	133	153	0.03461	126.1934	THISTLE7 345.00 - WOODWARD DISTRICT EHV 345KV CKT 2
FDNS	06ALL	2	15G	G14_035	TO->FROM	FPL SWITCH - WOODWARD 138KV CKT 1	133	153	0.03413	124.5364	FINNEY SWITCHING STATION - HOLCOMB 345KV CKT 1
FDNS	06ALL	2	15G	G14_035	TO->FROM	FPL SWITCH - WOODWARD 138KV CKT 1	133	153	0.0317	124.2225	THISTLE7 345.00 - WICHITA 345KV CKT 1
FDNS	06ALL	2	15G	G14_035	TO->FROM	FPL SWITCH - WOODWARD 138KV CKT 1	133	153	0.0317	124.2225	THISTLE7 345.00 - WICHITA 345KV CKT 2
FDNS	06ALL	2	15G	G14_035	TO->FROM	FPL SWITCH - WOODWARD 138KV CKT 1	133	153	0.03413	123.294	SPP-SWPS-05
FDNS	06ALL	2	15G	G14_035	TO->FROM	FPL SWITCH - WOODWARD 138KV CKT 1	133	153	0.03413	123.2358	FINNEY SWITCHING STATION - Hitchland Interchange 345KV CKT 1
FDNS	06ALL	2	15G	G14_035	TO->FROM	FPL SWITCH - WOODWARD 138KV CKT 1	133	153	0.03154	120.7881	ELLIS 4 138.00 - RED HILLS WIND 138KV CKT 1

SOLUTION	GROUP	SCENARIO	SEASON	SOURCE	DIRECTION	MONITORED ELEMENT	RATEA (MVA)	RATEB (MVA)	TDF	TC%LOADING (% MVA)	CONTINGENCY
FDNS	06ALL	2	15G	G14_035	TO->FROM	FPL SWITCH - WOODWARD 138KV CKT 1	133	153	0.03154	118.2424	ELLIS 4 138.00 - MOREWOOD SW 138KV CKT 1
FDNS	06ALL	2	15SP	G14_035	TO->FROM	FPL SWITCH - WOODWARD 138KV CKT 1	133	153	0.05678	111.8037	DBL-THIS-WWR
FDNS	06ALL	2	15G	G14_035	TO->FROM	FPL SWITCH - WOODWARD 138KV CKT 1	133	153	0.03154	105.8822	ELK CITY - RED HILLS WIND 138KV CKT 1
FDNS	06ALL	2	15SP	G14_035	TO->FROM	FPL SWITCH - WOODWARD 138KV CKT 1	133	153	0.04844	105.4283	NORTHWEST - TATONGA7 345.00 345KV CKT 1
FDNS	06ALL	2	15SP	G14_035	TO->FROM	FPL SWITCH - WOODWARD 138KV CKT 1	133	153	0.04984	104.792	LAWTON EASTSIDE - OKLAUNION 345KV CKT 1
FDNS	06ALL	2	15SP	G14_035	TO->FROM	FPL SWITCH - WOODWARD 138KV CKT 1	133	153	0.04844	102.6609	SPSCONT-05B
FDNS	06ALL	2	15SP	G14_035	TO->FROM	FPL SWITCH - WOODWARD 138KV CKT 1	133	153	0.04844	101.5196	SPSCONT-04
FDNS	06ALL	2	15SP	G14_035	TO->FROM	FPL SWITCH - WOODWARD 138KV CKT 1	133	153	0.04589	100.868	DBL-THIS-WIC
FDNS	06ALL	2	15SP	G14_035	TO->FROM	FPL SWITCH - WOODWARD 138KV CKT 1	133	153	0.03514	97.8	WOODWARD (WOODWRD2) 138/69/13.2KV TRANSFORMER CKT 1
FDNS	06ALL	2	20WP	G14_035	TO->FROM	FPL SWITCH - WOODWARD 138KV CKT 1	171	185	0.05131	96.8	NORTHWEST - TATONGA7 345.00 345KV CKT 1
FDNS	06ALL	2	20WP	G14_035	TO->FROM	FPL SWITCH - WOODWARD 138KV CKT 1	171	185	0.06059	96.1	DBL-THIS-WWR
FDNS	06ALL	2	15G	G14_035	TO->FROM	GRAPEVINE INTERCHANGE - NICHOLS STATION 230KV CKT 1	319	351	0.1019	104.1544	LAWTON EASTSIDE - OKLAUNION 345KV CKT 1
FDNS	06ALL	2	20WP	G14_035	TO->FROM	GRAPEVINE INTERCHANGE - NICHOLS STATION 230KV CKT 1	329	361	0.13118	102.6379	LAWTON EASTSIDE - OKLAUNION 345KV CKT 1
FDNS	06ALL	2	15SP	G14_035	TO->FROM	GRAPEVINE INTERCHANGE - NICHOLS STATION 230KV CKT 1	319	351	0.10345	99.55632	LAWTON EASTSIDE - OKLAUNION 345KV CKT 1
FDNS	06ALL	2	15G	G14_035	FROM->TO	GRAPEVINE INTERCHANGE - STATELINE INTERCHANGE 230KV CKT 1	319	351	0.11345	96.1822	LAWTON EASTSIDE - OKLAUNION 345KV CKT 1
FDNS	06ALL	2	15G	G14_035	FROM->TO	HARPER - MILAN TAP 138KV CKT 1	138	143	0.03297	116.4392	DBL-THIS-WIC
FDNS	06ALL	2	15SP	G14_035	FROM->TO	HARPER - MILAN TAP 138KV CKT 1	127	136	0.03321	104.4461	DBL-THIS-WIC
FDNS	06ALL	2	15WP	G14_035	FROM->TO	HARPER - MILAN TAP 138KV CKT 1	143	143	0.03322	102.7312	DBL-THIS-WIC
FDNS	06ALL	2	15G	G14_035	TO->FROM	PLANT X STATION - TOLK STATION EAST 230KV CKT 2	478	502	0.0507	107.8303	SPP-SWPS-06
FDNS	06ALL	2	15WP	G14_035	TO->FROM	PLANT X STATION - TOLK STATION EAST 230KV CKT 2	557	557	0.36025	99.7	PLANT X STATION - TOLK STATION WEST 230KV CKT 1
FDNS	06ALL	2	20SP	G14_035	TO->FROM	PLANT X STATION - TOLK STATION EAST 230KV CKT 2	478	502	0.29836	96.2	PLANT X STATION - TOLK STATION WEST 230KV CKT 1
FDNS	06ALL	2	20SP	G14_035	TO->FROM	PLANT X STATION - TOLK STATION WEST 230KV CKT 1	478	502	0.30112	96.9	PLANT X STATION - TOLK STATION EAST 230KV CKT 2
FDNS	06ALL	2	15SP	G14_035	FROM->TO	PLANT X STATION (WH ALM20171) 230/115/13.2KV TRANSFORMER CKT 1	252	252	0.10848	106.9543	NEWHART 230 - PLANT X STATION 230KV CKT 1
FDNS	06ALL	2	15SP	G14_035	FROM->TO	PLANT X STATION (WH ALM20171) 230/115/13.2KV TRANSFORMER CKT 1	252	252	0.07364	104.7846	LAMB COUNTY INTERCHANGE (WH ALM20172) 230/115/13.2KV TRANSFORMER CKT 1
FDNS	06ALL	2	15SP	G14_035	FROM->TO	PLANT X STATION (WH ALM20171) 230/115/13.2KV TRANSFORMER CKT 1	252	252	0.07364	104.7807	SPP-SWPS-K37
FDNS	06ALL	2	15SP	G14_035	FROM->TO	PLANT X STATION (WH ALM20171) 230/115/13.2KV TRANSFORMER CKT 1	252	252	0.07364	104.7599	LAMB COUNTY INTERCHANGE - TOLK STATION WEST 230KV CKT 1
FDNS	06ALL	2	15SP	G14_035	FROM->TO	PLANT X STATION (WH ALM20171) 230/115/13.2KV TRANSFORMER CKT 1	252	252	0.10848	104.2664	NEWHART 230 - PLANT X STATION 230KV CKT 1
FDNS	06ALL	2	15SP	G14_035	FROM->TO	PLANT X STATION (WH ALM20171) 230/115/13.2KV TRANSFORMER CKT 1	252	252	0.0918	102.3785	DEAF SMITH COUNTY INTERCHANGE - PLANT X STATION 230KV CKT 1
FDNS	06ALL	2	15SP	G14_035	FROM->TO	PLANT X STATION (WH ALM20171) 230/115/13.2KV TRANSFORMER CKT 1	252	252	0.07364	102.3506	LAMB COUNTY INTERCHANGE (WH ALM20172) 230/115/13.2KV TRANSFORMER CKT 1
FDNS	06ALL	2	15SP	G14_035	FROM->TO	PLANT X STATION (WH ALM20171) 230/115/13.2KV TRANSFORMER CKT 1	252	252	0.07364	102.3469	SPP-SWPS-K37
FDNS	06ALL	2	15SP	G14_035	FROM->TO	PLANT X STATION (WH ALM20171) 230/115/13.2KV TRANSFORMER CKT 1	252	252	0.07364	102.3256	LAMB COUNTY INTERCHANGE - TOLK STATION WEST 230KV CKT 1
FDNS	06ALL	2	15SP	G14_035	FROM->TO	PLANT X STATION (WH ALM20171) 230/115/13.2KV TRANSFORMER CKT 1	252	252	0.0918	99.6	DEAF SMITH COUNTY INTERCHANGE - PLANT X STATION 230KV CKT 1
FDNS	06ALL	2	15SP	G14_035	FROM->TO	PLANT X STATION (WH ALM20171) 230/115/13.2KV TRANSFORMER CKT 1	252	252	0.06412	95.6	GEN525493 1-PLANT X GEN #3
FDNS	06ALL	2	15G	G14_035	FROM->TO	POTASH JUNCTION INTERCHANGE (GE M100747) 230/115/13.2KV TRANSFORMER CKT 1	150	150	0.04473	99.9	CARLSBAD INTERCHANGE - PECOS INTERCHANGE 115KV CKT 1
FDNS	06ALL	2	15G	G14_035	FROM->TO	POTASH JUNCTION INTERCHANGE (GE M100747) 230/115/13.2KV TRANSFORMER CKT 1	150	150	0.04473	96	CARLSBAD INTERCHANGE - PECOS INTERCHANGE 115KV CKT 1
FDNS	06ALL	2	15G	G14_035	FROM->TO	TUCO INTERCHANGE - TUCO_2 230.00 230KV CKT 1	319	351	0.19252	114.1018	SPP-SWPS-01
FDNS	06ALL	2	15G	G14_035	FROM->TO	TUCO INTERCHANGE - TUCO_2 230.00 230KV CKT 1	319	351	0.18675	107.1921	TUCO INTERCHANGE (SIEM 8743066) 345/230/13.2KV TRANSFORMER CKT 2
FDNS	06ALL	2	20WP	G14_035	FROM->TO	TUCO INTERCHANGE - TUCO_2 230.00 230KV CKT 1	329	361	0.13694	101.7389	SPP-SWPS-01
FDNS	06ALL	2	20WP	G14_035	FROM->TO	TUCO INTERCHANGE - TUCO_2 230.00 230KV CKT 1	329	361	0.1386	100.0723	TUCO INTERCHANGE (GE M1022338) 345/230/13.2KV TRANSFORMER CKT 1
FDNS	06ALL	2	15G	G14_035	FROM->TO	TUCO INTERCHANGE - TUCO_2 230.00 230KV CKT 1	319	351	0.14249	98.75284	LAWTON EASTSIDE - OKLAUNION 345KV CKT 1
FDNS	06ALL	2	15SP	G14_035	FROM->TO	TUCO INTERCHANGE - TUCO_2 230.00 230KV CKT 1	319	351	0.17376	96.5	TUCO INTERCHANGE - TUCO_2 345.00 345KV CKT 1
FDNS	06ALL	2	15WP	G14_035	FROM->TO	TUCO INTERCHANGE - TUCO_2 230.00 230KV CKT 1	329	361	0.20678	96.4	TUCO INTERCHANGE (GE M1022338) 345/230/13.2KV TRANSFORMER CKT 1
FDNS	06ALL	2	15WP	G14_035	FROM->TO	TUCO INTERCHANGE - TUCO_2 230.00 230KV CKT 1	329	361	0.19817	95.1	SPP-SWPS-01
FDNS	06ALL	3	25SP	G14_035	TO->FROM	CARLSBAD INTERCHANGE - PECOS INTERCHANGE 115KV CKT 1	141	141	0.06589	116.9438	HOBBS - KIOWA 7345.00 345KV CKT 1
FDNS	06ALL	3	15SP	G14_035	FROM->TO	CHAVES COUNTY INTERCHANGE - SAMSON SUB 115KV CKT 1	120	154	0.16517	102.4507	CHAVES COUNTY INTERCHANGE - URTON SUB 115KV CKT 1
FDNS	06ALL	3	15SP	G14_035	FROM->TO	CHAVES COUNTY INTERCHANGE - URTON SUB 115KV CKT 1	159	160	0.16481	99.6	CHAVES COUNTY INTERCHANGE - SAMSON SUB 115KV CKT 1
FDNS	06ALL	3	15G	G14_035	FROM->TO	CLEARWATER - GILL ENERGY CENTER WEST 138KV CKT 1	143	143	0.03301	100.3353	DBL-THIS-WIC
FDNS	06ALL	3	15G	G14_035	TO->FROM	CLEARWATER - MILAN TAP 138KV CKT 1	110	110	0.03301	139.9081	DBL-THIS-WIC
FDNS	06ALL	3	20WP	G14_035	TO->FROM	CLEARWATER - MILAN TAP 138KV CKT 1	110	110	0.03306	108.5249	DBL-THIS-WIC
FDNS	06ALL	3	15WP	G14_035	TO->FROM	CLEARWATER - MILAN TAP 138KV CKT 1	110	110	0.03325	106.1126	DBL-THIS-WIC
FDNS	06ALL	3	15SP	G14_035	TO->FROM	CLEARWATER - MILAN TAP 138KV CKT 1	110	110	0.03323	99.9	DBL-THIS-WIC
FDNS	06ALL	3	15SP	G14_035	FROM->TO	CURRY COUNTY INTERCHANGE - DEAF SMITH REC-#20 115KV CKT 1	96	96	0.08115	120.7305	DEAF SMITH COUNTY INTERCHANGE - PLANT X STATION 230KV CKT 1
FDNS	06ALL	3	20SP	G14_035	FROM->TO	CURRY COUNTY INTERCHANGE - DEAF SMITH REC-#20 115KV CKT 1	96	96	0.06685	104.6276	DEAF SMITH COUNTY INTERCHANGE - PLANT X STATION 230KV CKT 1
FDNS	06ALL	3	15SP	G14_035	FROM->TO	CURRY COUNTY INTERCHANGE - DEAF SMITH REC-#20 115KV CKT 1	96	96	0.06518	103.3912	LAWTON EASTSIDE - OKLAUNION 345KV CKT 1
FDNS	06ALL	3	15SP	G14_035	TO->FROM	DEAF SMITH COUNTY INTERCHANGE - PLANT X STATION 230KV CKT 1	319	351	0.18325	109.4403	LAWTON EASTSIDE - OKLAUNION 345KV CKT 1
FDNS	06ALL	3	15SP	G14_035	TO->FROM	DEAF SMITH COUNTY INTERCHANGE - PLANT X STATION 230KV CKT 1	319	351	0.20086	96.9	NEWHART 230 - PLANT X STATION 230KV CKT 1
FDNS	06ALL	3	15SP	G14_035	TO->FROM	DEAF SMITH COUNTY INTERCHANGE - PLANT X STATION 230KV CKT 1	319	351	0.18437	96.2	SPP-SWPS-01
FDNS	06ALL	3	15SP	G14_035	TO->FROM	DEAF SMITH COUNTY INTERCHANGE - PLANT X STATION 230KV CKT 1	319	351	0.18325	96	SPSCONT-01
FDNS	06ALL	3	15SP	G14_035	TO->FROM	DEAF SMITH COUNTY INTERCHANGE - PLANT X STATION 230KV CKT 1	319	351	0.18325	95.8	OKLAUNION - TUCO INTERCHANGE 345KV CKT 1
FDNS	06ALL	3	15SP	G14_035	FROM->TO	DEAF SMITH REC-#20 - PARMER COUNTY SUB 115KV CKT 1	96	96	0.08115	107.5483	DEAF SMITH COUNTY INTERCHANGE - PLANT X STATION 230KV CKT 1
FDNS	06ALL	3	15SP	G14_035	TO->FROM	DEAF SMITH REC-#24 - PARMER COUNTY SUB 115KV CKT 1	96	96	0.08115	99.8	DEAF SMITH COUNTY INTERCHANGE - PLANT X STATION 230KV CKT 1
FDNS	06ALL	3	20WP	G14_035	FROM->TO	EDDY_NORTH 6230.00 (WAUK WT01134) 230/115/13.2KV TRANSFORMER CKT 2	250	288	0.1394	103.4582	EDDY COUNTY INTERCHANGE - EDDY_NORTH 6230.00 230KV CKT @1
FDNS	06ALL	3	20WP	G14_035	FROM->TO	EDDY_NORTH 6230.00 (WAUK WT01134) 230/115/13.2KV TRANSFORMER CKT 2	250	288	0.1394	103.0362	EDDY COUNTY INTERCHANGE - EDDY_NORTH 6230.00 230KV CKT @1
FDNS	06ALL	3	25SP	G14_035	FROM->TO	EDDY_NORTH 6230.00 (WAUK WT01134) 230/115/13.2KV TRANSFORMER CKT 2	250	288	0.14028	101.949	EDDY COUNTY INTERCHANGE - EDDY_NORTH 6230.00 230KV CKT @1
FDNS	06ALL	3	25SP	G14_035	FROM->TO	EDDY_NORTH 6230.00 (WAUK WT01134) 230/115/13.2KV TRANSFORMER CKT 2	250	288	0.14028	100.3172	EDDY COUNTY INTERCHANGE - EDDY_NORTH 6230.00 230KV CKT @1
FDNS	06ALL	3	15WP	G14_035	FROM->TO	EDDY_NORTH 6230.00 (WAUK WT01134) 230/115/13.2KV TRANSFORMER CKT 2	250	288	0.08688	96.8	EDDY COUNTY INTERCHANGE - EDDY_NORTH 6230.00 230KV CKT @1
FDNS	06ALL	3	15WP	G14_035	FROM->TO	EDDY_NORTH 6230.00 (WAUK WT01134) 230/115/13.2KV TRANSFORMER CKT 2	250	288	0.08688	96.7	EDDY COUNTY INTERCHANGE - EDDY_NORTH 6230.00 230KV CKT @1
FDNS	06ALL	3	15G	G14_035	FROM->TO	ELK CITY 230KV (ELKCTY-6) 230/138/13.8KV TRANSFORMER CKT 1	287	316	0.11358	106.8002	LAWTON EASTSIDE - OKLAUNION 345KV CKT 1
FDNS	06ALL	3	15G	G14_035	FROM->TO	ELK CITY 230KV (ELKCTY-6) 230/138/13.8KV TRANSFORMER CKT 1	287	316	0.11358	104.9708	LAWTON EASTSIDE - OKLAUNION 345KV CKT 1
FDNS	06ALL	3	15SP	G14_035	FROM->TO	ELK CITY 230KV (ELKCTY-6) 230/138/13.8KV TRANSFORMER CKT 1	272	316	0.12161	100.0238	LAWTON EASTSIDE - OKLAUNION 345KV CKT 1
FDNS	06ALL	3	15WP	G14_035	FROM->TO	ELK CITY 230KV (ELKCTY-6) 230/138/13.8KV TRANSFORMER CKT 1	287	316	0.12509	99.80477	LAWTON EASTSIDE - OKLAUNION 345KV CKT 1
FDNS	06ALL	3	15SP	G14_035	FROM->TO	ELK CITY 230KV (ELKCTY-6) 230/138/13.8KV TRANSFORMER CKT 1	272	316	0.12161	98.58963	LAWTON EASTSIDE - OKLAUNION 345KV CKT 1

SOLUTION	GROUP	SCENARIO	SEASON	SOURCE	DIRECTION	MONITORED ELEMENT	RATEA (MVA)	RATEB (MVA)	TC%LOADING TDF	CONTINGENCY	
FDNS	06ALL	3	15WP	G14_035	FROM->TO	ELK CITY 230KV (ELKCTY-6) 230/138/13.8KV TRANSFORMER CKT 1	287	316	0.12509	98.40416	LAWTON EASTSIDE - OKLAUNION 345KV CKT 1
FDNS	06ALL	3	15G	G14_035	FROM->TO	ELK CITY 230KV (ELKCTY-6) 230/138/13.8KV TRANSFORMER CKT 1	287	316	0.11358	97.5	SPSCONT-01
FDNS	06ALL	3	15G	G14_035	FROM->TO	ELK CITY 230KV (ELKCTY-6) 230/138/13.8KV TRANSFORMER CKT 1	287	316	0.11417	96.7	SPP-SWPS-01
FDNS-CHECK-TC-Iteration Limit Exceeded.	06ALL	3	15G	G14_035	FROM->TO	ELK CITY 230KV (ELKCTY-6) 230/138/13.8KV TRANSFORMER CKT 1	287	316	0.09956	96.7	DBL-G1114-WW
FDNS	06ALL	3	15G	G14_035	FROM->TO	ELK CITY 230KV (ELKCTY-6) 230/138/13.8KV TRANSFORMER CKT 1	287	316	0.11358	96.5	SPSCONT-01
FDNS	06ALL	3	15G	G14_035	FROM->TO	ELK CITY 230KV (ELKCTY-6) 230/138/13.8KV TRANSFORMER CKT 1	287	316	0.11358	96.4	OKLAUNION - TUCO INTERCHANGE 345KV CKT 1
FDNS	06ALL	3	15G	G14_035	FROM->TO	ELK CITY 230KV (ELKCTY-6) 230/138/13.8KV TRANSFORMER CKT 1	287	316	0.09956	95.6	DBL-BVR-G111
FDNS-CHECK-TC-Iteration Limit Exceeded.	06ALL	3	15G	G14_035	FROM->TO	ELK CITY 230KV (ELKCTY-6) 230/138/13.8KV TRANSFORMER CKT 1	287	316	0.09956	95.6	DBL-G1114-WW
FDNS	06ALL	3	15G	G14_035	FROM->TO	ELK CITY 230KV (ELKCTY-6) 230/138/13.8KV TRANSFORMER CKT 1	287	316	0.11417	95.5	SPP-SWPS-01
FDNS	06ALL	3	15G	G14_035	FROM->TO	ELK CITY 230KV (ELKCTY-6) 230/138/13.8KV TRANSFORMER CKT 1	287	316	0.11358	95.3	OKLAUNION - TUCO INTERCHANGE 345KV CKT 1
FDNS	06ALL	3	15SP	G14_035	TO->FROM	FLATRDG3 - THISTLE4 138.00 138KV CKT 1	286	286	0.04788	98.1	DBL-THIS-WIC
FDNS	06ALL	3	15G	G14_035	TO->FROM	FPL SWITCH - WOODWARD 138KV CKT 1	133	153	0.04556	161.139	NORTHWEST - TATONGA7 345.00 345KV CKT 1
FDNS	06ALL	3	15G	G14_035	TO->FROM	FPL SWITCH - WOODWARD 138KV CKT 1	133	153	0.05361	159.4606	DBL-THIS-WWR
FDNS	06ALL	3	15G	G14_035	TO->FROM	FPL SWITCH - WOODWARD 138KV CKT 1	133	153	0.04556	157.7752	SPSCONT-05B
FDNS	06ALL	3	15G	G14_035	TO->FROM	FPL SWITCH - WOODWARD 138KV CKT 1	133	153	0.04556	157.1729	SPSCONT-04
FDNS	06ALL	3	15G	G14_035	TO->FROM	FPL SWITCH - WOODWARD 138KV CKT 1	133	153	0.04302	154.0712	DBL-THIS-WIC
FDNS	06ALL	3	15G	G14_035	TO->FROM	FPL SWITCH - WOODWARD 138KV CKT 1	133	153	0.04692	152.6468	LAWTON EASTSIDE - OKLAUNION 345KV CKT 1
FDNS	06ALL	3	15G	G14_035	TO->FROM	FPL SWITCH - WOODWARD 138KV CKT 1	133	153	0.04556	147.5252	G11_051T 345.00 - TATONGA7 345.00 345KV CKT 1
FDNS	06ALL	3	15G	G14_035	TO->FROM	FPL SWITCH - WOODWARD 138KV CKT 1	133	153	0.04556	146.2378	G11_051T 345.00 - WOODWARD DISTRICT EHV 345KV CKT 1
FDNS	06ALL	3	15G	G14_035	TO->FROM	FPL SWITCH - WOODWARD 138KV CKT 1	133	153	0.03189	143.417	WOODWARD (WOODWRD2) 138/69/13.2KV TRANSFORMER CKT 1
FDNS	06ALL	3	15G	G14_035	TO->FROM	FPL SWITCH - WOODWARD 138KV CKT 1	133	153	0.04556	143.0314	SPSCONT-05AX
FDNS	06ALL	3	15G	G14_035	TO->FROM	FPL SWITCH - WOODWARD 138KV CKT 1	133	153	0.04173	142.1867	ELK CITY 230KV - SWEETWATER 230KV CKT 1
FDNS	06ALL	3	15G	G14_035	TO->FROM	FPL SWITCH - WOODWARD 138KV CKT 1	133	153	0.04173	142.1522	ELK CITY 230KV (ELKCTY-6) 230/138/13.8KV TRANSFORMER CKT 1
FDNS	06ALL	3	15G	G14_035	TO->FROM	FPL SWITCH - WOODWARD 138KV CKT 1	133	153	0.04692	141.5408	SPSCONT-01
FDNS	06ALL	3	15G	G14_035	TO->FROM	FPL SWITCH - WOODWARD 138KV CKT 1	133	153	0.04195	139.7718	SPP-SWPS-03
FDNS	06ALL	3	15G	G14_035	TO->FROM	FPL SWITCH - WOODWARD 138KV CKT 1	133	153	0.04692	139.4068	OKLAUNION - TUCO INTERCHANGE 345KV CKT 1
FDNS	06ALL	3	15G	G14_035	TO->FROM	FPL SWITCH - WOODWARD 138KV CKT 1	133	153	0.04672	139.2189	SPP-SWPS-01
FDNS	06ALL	3	15G	G14_035	TO->FROM	FPL SWITCH - WOODWARD 138KV CKT 1	133	153	0.04173	138.5807	SPP-SWPS-02A
FDNS	06ALL	3	15G	G14_035	TO->FROM	FPL SWITCH - WOODWARD 138KV CKT 1	133	153	0.04173	138.419	GRAPEVINE INTERCHANGE - STATELINE INTERCHANGE 230KV CKT 1
FDNS	06ALL	3	15G	G14_035	TO->FROM	FPL SWITCH - WOODWARD 138KV CKT 1	133	153	0.0339	137.3554	IODINE - WOODWARD EHV 138KV CKT 1
FDNS	06ALL	3	15G	G14_035	TO->FROM	FPL SWITCH - WOODWARD 138KV CKT 1	133	153	0.0339	135.3142	DEWEY - IODINE 138KV CKT 1
FDNS	06ALL	3	15G	G14_035	TO->FROM	FPL SWITCH - WOODWARD 138KV CKT 1	133	153	0.04173	132.9488	STATELINE INTERCHANGE - STLN-DEMARC6 230KV CKT 1
FDNS	06ALL	3	15G	G14_035	TO->FROM	FPL SWITCH - WOODWARD 138KV CKT 1	133	153	0.04173	132.9455	SPP-SWPS-02
FDNS	06ALL	3	15G	G14_035	TO->FROM	FPL SWITCH - WOODWARD 138KV CKT 1	133	153	0.04173	132.9341	STLN-DEMARC6 - SWEETWATER 230KV CKT 1
FDNS	06ALL	3	15G	G14_035	TO->FROM	FPL SWITCH - WOODWARD 138KV CKT 1	133	153	0.03444	130.4008	GRAPEVINE INTERCHANGE - NICHOLS STATION 230KV CKT 1
FDNS	06ALL	3	15G	G14_035	TO->FROM	FPL SWITCH - WOODWARD 138KV CKT 1	133	153	0.03189	130.0269	WOODWARD - WOODWARD 69KV CKT 1
FDNS	06ALL	3	15G	G14_035	TO->FROM	FPL SWITCH - WOODWARD 138KV CKT 1	133	153	0.03465	126.1489	THISTLE7 345.00 - WOODWARD DISTRICT EHV 345KV CKT 1
FDNS	06ALL	3	15G	G14_035	TO->FROM	FPL SWITCH - WOODWARD 138KV CKT 1	133	153	0.03465	126.1489	THISTLE7 345.00 - WOODWARD DISTRICT EHV 345KV CKT 2
FDNS	06ALL	3	15G	G14_035	TO->FROM	FPL SWITCH - WOODWARD 138KV CKT 1	133	153	0.03417	124.4764	FINNEY SWITCHING STATION - HOLCOMB 345KV CKT 1
FDNS	06ALL	3	15G	G14_035	TO->FROM	FPL SWITCH - WOODWARD 138KV CKT 1	133	153	0.03174	124.1911	THISTLE7 345.00 - WICHITA 345KV CKT 1
FDNS	06ALL	3	15G	G14_035	TO->FROM	FPL SWITCH - WOODWARD 138KV CKT 1	133	153	0.03174	124.1911	THISTLE7 345.00 - WICHITA 345KV CKT 2
FDNS	06ALL	3	15G	G14_035	TO->FROM	FPL SWITCH - WOODWARD 138KV CKT 1	133	153	0.03417	123.2348	SPP-SWPS-05
FDNS	06ALL	3	15G	G14_035	TO->FROM	FPL SWITCH - WOODWARD 138KV CKT 1	133	153	0.03417	123.1767	FINNEY SWITCHING STATION - Hitchland Interchange 345KV CKT 1
FDNS	06ALL	3	15G	G14_035	TO->FROM	FPL SWITCH - WOODWARD 138KV CKT 1	133	153	0.03158	120.7358	ELLIS 4 138.00 - RED HILLS WIND 138KV CKT 1
FDNS	06ALL	3	15G	G14_035	TO->FROM	FPL SWITCH - WOODWARD 138KV CKT 1	133	153	0.03158	118.208	ELLIS 4 138.00 - MOREWOOD SW 138KV CKT 1
FDNS	06ALL	3	15SP	G14_035	TO->FROM	FPL SWITCH - WOODWARD 138KV CKT 1	133	153	0.05682	111.727	DBL-THIS-WWR
FDNS	06ALL	3	15G	G14_035	TO->FROM	FPL SWITCH - WOODWARD 138KV CKT 1	133	153	0.03158	106.2134	ELK CITY - RED HILLS WIND 138KV CKT 1
FDNS	06ALL	3	15SP	G14_035	TO->FROM	FPL SWITCH - WOODWARD 138KV CKT 1	133	153	0.04847	105.3474	NORTHWEST - TATONGA7 345.00 345KV CKT 1
FDNS	06ALL	3	15SP	G14_035	TO->FROM	FPL SWITCH - WOODWARD 138KV CKT 1	133	153	0.04988	104.763	LAWTON EASTSIDE - OKLAUNION 345KV CKT 1
FDNS	06ALL	3	15SP	G14_035	TO->FROM	FPL SWITCH - WOODWARD 138KV CKT 1	133	153	0.04847	102.5806	SPSCONT-05B
FDNS	06ALL	3	15SP	G14_035	TO->FROM	FPL SWITCH - WOODWARD 138KV CKT 1	133	153	0.04847	101.4405	SPSCONT-04
FDNS	06ALL	3	15SP	G14_035	TO->FROM	FPL SWITCH - WOODWARD 138KV CKT 1	133	153	0.04591	100.7966	DBL-THIS-WIC
FDNS	06ALL	3	15SP	G14_035	TO->FROM	FPL SWITCH - WOODWARD 138KV CKT 1	133	153	0.03516	97.7	WOODWARD (WOODWRD2) 138/69/13.2KV TRANSFORMER CKT 1
FDNS	06ALL	3	20WP	G14_035	TO->FROM	FPL SWITCH - WOODWARD 138KV CKT 1	171	185	0.05136	96.7	NORTHWEST - TATONGA7 345.00 345KV CKT 1
FDNS	06ALL	3	20WP	G14_035	TO->FROM	FPL SWITCH - WOODWARD 138KV CKT 1	171	185	0.06064	96	DBL-THIS-WWR
FDNS	06ALL	3	15G	G14_035	TO->FROM	GRAPEVINE INTERCHANGE - NICHOLS STATION 230KV CKT 1	319	351	0.10202	104.2251	LAWTON EASTSIDE - OKLAUNION 345KV CKT 1
FDNS	06ALL	3	20WP	G14_035	TO->FROM	GRAPEVINE INTERCHANGE - NICHOLS STATION 230KV CKT 1	329	361	0.1313	102.6177	LAWTON EASTSIDE - OKLAUNION 345KV CKT 1
FDNS	06ALL	3	15SP	G14_035	TO->FROM	GRAPEVINE INTERCHANGE - NICHOLS STATION 230KV CKT 1	319	351	0.10351	99.55151	LAWTON EASTSIDE - OKLAUNION 345KV CKT 1
FDNS	06ALL	3	15G	G14_035	FROM->TO	GRAPEVINE INTERCHANGE - STATELINE INTERCHANGE 230KV CKT 1	319	351	0.11358	96.19302	LAWTON EASTSIDE - OKLAUNION 345KV CKT 1
FDNS	06ALL	3	15G	G14_035	FROM->TO	HARPER - MILAN TAP 138KV CKT 1	138	143	0.03301	116.387	DBL-THIS-WIC
FDNS	06ALL	3	15SP	G14_035	FROM->TO	HARPER - MILAN TAP 138KV CKT 1	127	136	0.03323	104.4151	DBL-THIS-WIC
FDNS	06ALL	3	15WP	G14_035	FROM->TO	HARPER - MILAN TAP 138KV CKT 1	143	143	0.03325	102.7046	DBL-THIS-WIC

SOLUTION	GROUP	SCENARIO	SEASON	SOURCE	DIRECTION	MONITORED ELEMENT	RATEA (MVA)	RATEB (MVA)	TDF	TC%LOADING (% MVA)	CONTINGENCY
FDNS	06ALL	3	15G	G14_035	TO->FROM	PLANT X STATION - TOLK STATION EAST 230KV CKT 2	478	502	0.05115	106.1344	SPP-SWPS-06
FDNS	06ALL	3	15WP	G14_035	TO->FROM	PLANT X STATION - TOLK STATION EAST 230KV CKT 2	557	557	0.36033	99.6	PLANT X STATION - TOLK STATION WEST 230KV CKT 1
FDNS	06ALL	3	20SP	G14_035	TO->FROM	PLANT X STATION - TOLK STATION EAST 230KV CKT 2	478	502	0.29873	96.2	PLANT X STATION - TOLK STATION WEST 230KV CKT 1
FDNS	06ALL	3	20SP	G14_035	TO->FROM	PLANT X STATION - TOLK STATION WEST 230KV CKT 1	478	502	0.30149	97	PLANT X STATION - TOLK STATION EAST 230KV CKT 2
FDNS	06ALL	3	15SP	G14_035	FROM->TO	PLANT X STATION (WH ALM20171) 230/115/13.2KV TRANSFORMER CKT 1	252	252	0.10851	106.8107	NEWHART 230 - PLANT X STATION 230KV CKT 1
FDNS	06ALL	3	15SP	G14_035	FROM->TO	PLANT X STATION (WH ALM20171) 230/115/13.2KV TRANSFORMER CKT 1	252	252	0.07363	104.6633	LAMB COUNTY INTERCHANGE - TOLK STATION WEST 230KV CKT 1
FDNS	06ALL	3	15SP	G14_035	FROM->TO	PLANT X STATION (WH ALM20171) 230/115/13.2KV TRANSFORMER CKT 1	252	252	0.07363	104.6607	LAMB COUNTY INTERCHANGE (WH ALM20172) 230/115/13.2KV TRANSFORMER CKT 1
FDNS	06ALL	3	15SP	G14_035	FROM->TO	PLANT X STATION (WH ALM20171) 230/115/13.2KV TRANSFORMER CKT 1	252	252	0.07363	104.6607	SPP-SWPS-K37
FDNS	06ALL	3	15SP	G14_035	FROM->TO	PLANT X STATION (WH ALM20171) 230/115/13.2KV TRANSFORMER CKT 1	252	252	0.10851	104.1177	NEWHART 230 - PLANT X STATION 230KV CKT 1
FDNS	06ALL	3	15SP	G14_035	FROM->TO	PLANT X STATION (WH ALM20171) 230/115/13.2KV TRANSFORMER CKT 1	252	252	0.09183	102.2408	DEAF SMITH COUNTY INTERCHANGE - PLANT X STATION 230KV CKT 1
FDNS	06ALL	3	15SP	G14_035	FROM->TO	PLANT X STATION (WH ALM20171) 230/115/13.2KV TRANSFORMER CKT 1	252	252	0.07363	102.2229	LAMB COUNTY INTERCHANGE - TOLK STATION WEST 230KV CKT 1
FDNS	06ALL	3	15SP	G14_035	FROM->TO	PLANT X STATION (WH ALM20171) 230/115/13.2KV TRANSFORMER CKT 1	252	252	0.07363	102.2204	LAMB COUNTY INTERCHANGE (WH ALM20172) 230/115/13.2KV TRANSFORMER CKT 1
FDNS	06ALL	3	15SP	G14_035	FROM->TO	PLANT X STATION (WH ALM20171) 230/115/13.2KV TRANSFORMER CKT 1	252	252	0.07363	102.2204	SPP-SWPS-K37
FDNS	06ALL	3	15SP	G14_035	FROM->TO	PLANT X STATION (WH ALM20171) 230/115/13.2KV TRANSFORMER CKT 1	252	252	0.09183	99.5	DEAF SMITH COUNTY INTERCHANGE - PLANT X STATION 230KV CKT 1
FDNS	06ALL	3	15SP	G14_035	FROM->TO	PLANT X STATION (WH ALM20171) 230/115/13.2KV TRANSFORMER CKT 1	252	252	0.06413	95.4	GEN525493 1-PLANT X GEN #3
FDNS	06ALL	3	15G	G14_035	FROM->TO	POTASH JUNCTION INTERCHANGE (GE M100747) 230/115/13.2KV TRANSFORMER CKT 1	150	150	0.04764	97.8	CARLSBAD INTERCHANGE - PECOS INTERCHANGE 115KV CKT 1
FDNS	06ALL	4	25SP	G14_035	TO->FROM	CARLSBAD INTERCHANGE - PECOS INTERCHANGE 115KV CKT 1	141	141	0.06589	116.9438	HOBBS - KIOWA 7345.00 345KV CKT 1
FDNS	06ALL	4	15SP	G14_035	FROM->TO	CHAVES COUNTY INTERCHANGE - SAMSON SUB 115KV CKT 1	120	154	0.16517	102.4507	CHAVES COUNTY INTERCHANGE - URTON SUB 115KV CKT 1
FDNS	06ALL	4	15SP	G14_035	FROM->TO	CHAVES COUNTY INTERCHANGE - URTON SUB 115KV CKT 1	159	160	0.16481	99.6	CHAVES COUNTY INTERCHANGE - SAMSON SUB 115KV CKT 1
FDNS	06ALL	4	15G	G14_035	FROM->TO	CLEARWATER - GILL ENERGY CENTER WEST 138KV CKT 1	143	143	0.03301	100.3353	DBL-THIS-WIC
FDNS	06ALL	4	15G	G14_035	TO->FROM	CLEARWATER - MILAN TAP 138KV CKT 1	110	110	0.03301	139.9081	DBL-THIS-WIC
FDNS	06ALL	4	20WP	G14_035	TO->FROM	CLEARWATER - MILAN TAP 138KV CKT 1	110	110	0.03306	108.5249	DBL-THIS-WIC
FDNS	06ALL	4	15WP	G14_035	TO->FROM	CLEARWATER - MILAN TAP 138KV CKT 1	110	110	0.03325	106.1126	DBL-THIS-WIC
FDNS	06ALL	4	15SP	G14_035	TO->FROM	CLEARWATER - MILAN TAP 138KV CKT 1	110	110	0.03323	99.9	DBL-THIS-WIC
FDNS	06ALL	4	15SP	G14_035	FROM->TO	CURRY COUNTY INTERCHANGE - DEAF SMITH REC-#20 115KV CKT 1	96	96	0.08115	120.7303	DEAF SMITH COUNTY INTERCHANGE - PLANT X STATION 230KV CKT 1
FDNS	06ALL	4	20SP	G14_035	FROM->TO	CURRY COUNTY INTERCHANGE - DEAF SMITH REC-#20 115KV CKT 1	96	96	0.06685	104.6276	DEAF SMITH COUNTY INTERCHANGE - PLANT X STATION 230KV CKT 1
FDNS	06ALL	4	15SP	G14_035	FROM->TO	CURRY COUNTY INTERCHANGE - DEAF SMITH REC-#20 115KV CKT 1	96	96	0.06518	103.3913	LAWTON EASTSIDE - OKLAUNION 345KV CKT 1
FDNS	06ALL	4	15SP	G14_035	TO->FROM	DEAF SMITH COUNTY INTERCHANGE - PLANT X STATION 230KV CKT 1	319	351	0.18325	109.4404	LAWTON EASTSIDE - OKLAUNION 345KV CKT 1
FDNS	06ALL	4	15SP	G14_035	TO->FROM	DEAF SMITH COUNTY INTERCHANGE - PLANT X STATION 230KV CKT 1	319	351	0.20086	96.9	NEWHART 230 - PLANT X STATION 230KV CKT 1
FDNS	06ALL	4	15SP	G14_035	TO->FROM	DEAF SMITH COUNTY INTERCHANGE - PLANT X STATION 230KV CKT 1	319	351	0.18437	96.2	SPP-SWPS-01
FDNS	06ALL	4	15SP	G14_035	TO->FROM	DEAF SMITH COUNTY INTERCHANGE - PLANT X STATION 230KV CKT 1	319	351	0.18325	96	SPSCONT-01
FDNS	06ALL	4	15SP	G14_035	TO->FROM	DEAF SMITH COUNTY INTERCHANGE - PLANT X STATION 230KV CKT 1	319	351	0.18325	95.8	OKLAUNION - TUCO INTERCHANGE 345KV CKT 1
FDNS	06ALL	4	15SP	G14_035	FROM->TO	DEAF SMITH REC-#20 - PARMER COUNTY SUB 115KV CKT 1	96	96	0.08115	107.5483	DEAF SMITH COUNTY INTERCHANGE - PLANT X STATION 230KV CKT 1
FDNS	06ALL	4	15SP	G14_035	TO->FROM	DEAF SMITH REC-#24 - PARMER COUNTY SUB 115KV CKT 1	96	96	0.08115	99.8	DEAF SMITH COUNTY INTERCHANGE - PLANT X STATION 230KV CKT 1
FDNS	06ALL	4	20WP	G14_035	FROM->TO	EDDY_NORTH 6230.00 (WAUK WT01134) 230/115/13.2KV TRANSFORMER CKT 2	250	288	0.1394	103.4582	EDDY COUNTY INTERCHANGE - EDDY_NORTH 6230.00 230KV CKT @1
FDNS	06ALL	4	20WP	G14_035	FROM->TO	EDDY_NORTH 6230.00 (WAUK WT01134) 230/115/13.2KV TRANSFORMER CKT 2	250	288	0.1394	103.0362	EDDY COUNTY INTERCHANGE - EDDY_NORTH 6230.00 230KV CKT @1
FDNS	06ALL	4	25SP	G14_035	FROM->TO	EDDY_NORTH 6230.00 (WAUK WT01134) 230/115/13.2KV TRANSFORMER CKT 2	250	288	0.14028	101.949	EDDY COUNTY INTERCHANGE - EDDY_NORTH 6230.00 230KV CKT @1
FDNS	06ALL	4	25SP	G14_035	FROM->TO	EDDY_NORTH 6230.00 (WAUK WT01134) 230/115/13.2KV TRANSFORMER CKT 2	250	288	0.14028	100.3172	EDDY COUNTY INTERCHANGE - EDDY_NORTH 6230.00 230KV CKT @1
FDNS	06ALL	4	15WP	G14_035	FROM->TO	EDDY_NORTH 6230.00 (WAUK WT01134) 230/115/13.2KV TRANSFORMER CKT 2	250	288	0.08688	96.8	EDDY COUNTY INTERCHANGE - EDDY_NORTH 6230.00 230KV CKT @1
FDNS	06ALL	4	15WP	G14_035	FROM->TO	EDDY_NORTH 6230.00 (WAUK WT01134) 230/115/13.2KV TRANSFORMER CKT 2	250	288	0.08688	96.7	EDDY COUNTY INTERCHANGE - EDDY_NORTH 6230.00 230KV CKT @1
FDNS	06ALL	4	15G	G14_035	FROM->TO	ELK CITY 230KV (ELKCTY-6) 230/138/13.8KV TRANSFORMER CKT 1	287	316	0.11358	106.8002	LAWTON EASTSIDE - OKLAUNION 345KV CKT 1
FDNS	06ALL	4	15G	G14_035	FROM->TO	ELK CITY 230KV (ELKCTY-6) 230/138/13.8KV TRANSFORMER CKT 1	287	316	0.11358	104.9708	LAWTON EASTSIDE - OKLAUNION 345KV CKT 1
FDNS	06ALL	4	15SP	G14_035	FROM->TO	ELK CITY 230KV (ELKCTY-6) 230/138/13.8KV TRANSFORMER CKT 1	272	316	0.12161	100.0245	LAWTON EASTSIDE - OKLAUNION 345KV CKT 1
FDNS	06ALL	4	15WP	G14_035	FROM->TO	ELK CITY 230KV (ELKCTY-6) 230/138/13.8KV TRANSFORMER CKT 1	287	316	0.12509	99.80477	LAWTON EASTSIDE - OKLAUNION 345KV CKT 1
FDNS	06ALL	4	15SP	G14_035	FROM->TO	ELK CITY 230KV (ELKCTY-6) 230/138/13.8KV TRANSFORMER CKT 1	272	316	0.12161	98.59045	LAWTON EASTSIDE - OKLAUNION 345KV CKT 1
FDNS	06ALL	4	15WP	G14_035	FROM->TO	ELK CITY 230KV (ELKCTY-6) 230/138/13.8KV TRANSFORMER CKT 1	287	316	0.12509	98.40416	LAWTON EASTSIDE - OKLAUNION 345KV CKT 1
FDNS	06ALL	4	15G	G14_035	FROM->TO	ELK CITY 230KV (ELKCTY-6) 230/138/13.8KV TRANSFORMER CKT 1	287	316	0.11358	97.5	SPSCONT-01
FDNS	06ALL	4	15G	G14_035	FROM->TO	ELK CITY 230KV (ELKCTY-6) 230/138/13.8KV TRANSFORMER CKT 1	287	316	0.11417	96.7	SPP-SWPS-01
FDNS-CHECK-TC-Iteration Limit Exceeded.	06ALL	4	15G	G14_035	FROM->TO	ELK CITY 230KV (ELKCTY-6) 230/138/13.8KV TRANSFORMER CKT 1	287	316	0.09956	96.7	DBL-G1114-WW
FDNS	06ALL	4	15G	G14_035	FROM->TO	ELK CITY 230KV (ELKCTY-6) 230/138/13.8KV TRANSFORMER CKT 1	287	316	0.11358	96.5	SPSCONT-01
FDNS	06ALL	4	15G	G14_035	FROM->TO	ELK CITY 230KV (ELKCTY-6) 230/138/13.8KV TRANSFORMER CKT 1	287	316	0.11358	96.4	OKLAUNION - TUCO INTERCHANGE 345KV CKT 1
FDNS	06ALL	4	15G	G14_035	FROM->TO	ELK CITY 230KV (ELKCTY-6) 230/138/13.8KV TRANSFORMER CKT 1	287	316	0.09956	95.6	DBL-BVR-G111
FDNS-CHECK-TC-Iteration Limit Exceeded.	06ALL	4	15G	G14_035	FROM->TO	ELK CITY 230KV (ELKCTY-6) 230/138/13.8KV TRANSFORMER CKT 1	287	316	0.09956	95.6	DBL-G1114-WW
FDNS	06ALL	4	15G	G14_035	FROM->TO	ELK CITY 230KV (ELKCTY-6) 230/138/13.8KV TRANSFORMER CKT 1	287	316	0.11417	95.5	SPP-SWPS-01
FDNS	06ALL	4	15G	G14_035	FROM->TO	ELK CITY 230KV (ELKCTY-6) 230/138/13.8KV TRANSFORMER CKT 1	287	316	0.11358	95.3	OKLAUNION - TUCO INTERCHANGE 345KV CKT 1
FDNS	06ALL	4	15SP	G14_035	TO->FROM	FLATRDG3 - THISTLE4 138.00 138KV CKT 1	286	286	0.04788	98.1	DBL-THIS-WIC
FDNS	06ALL	4	15G	G14_035	TO->FROM	FPL SWITCH - WOODWARD 138KV CKT 1	133	153	0.04556	161.139	NORTHWEST - TATONGA7 345.00 345KV CKT 1
FDNS	06ALL	4	15G	G14_035	TO->FROM	FPL SWITCH - WOODWARD 138KV CKT 1	133	153	0.05361	159.4606	DBL-THIS-WWR
FDNS	06ALL	4	15G	G14_035	TO->FROM	FPL SWITCH - WOODWARD 138KV CKT 1	133	153	0.04556	157.7752	SPSCONT-05B
FDNS	06ALL	4	15G	G14_035	TO->FROM	FPL SWITCH - WOODWARD 138KV CKT 1	133	153	0.04556	157.1729	SPSCONT-04
FDNS	06ALL	4	15G	G14_035	TO->FROM	FPL SWITCH - WOODWARD 138KV CKT 1	133	153	0.04302	154.0712	DBL-THIS-WIC
FDNS	06ALL	4	15G	G14_035	TO->FROM	FPL SWITCH - WOODWARD 138KV CKT 1	133	153	0.04692	152.6468	LAWTON EASTSIDE - OKLAUNION 345KV CKT 1

SOLUTION	GROUP	SCENARIO	SEASON	SOURCE	DIRECTION	MONITORED ELEMENT	RATEA (MVA)	RATEB(MVA)	TC%LOADING TDF (% MVA)	CONTINGENCY	
FDNS	06ALL	4	15G	G14_035	TO->FROM	FPL SWITCH - WOODWARD 138KV CKT 1	133	153	0.04556	147.5252	G11_051T 345.00 - TATONGA7 345.00 345KV CKT 1
FDNS	06ALL	4	15G	G14_035	TO->FROM	FPL SWITCH - WOODWARD 138KV CKT 1	133	153	0.04556	146.2378	G11_051T 345.00 - WOODWARD DISTRICT EHV 345KV CKT 1
FDNS	06ALL	4	15G	G14_035	TO->FROM	FPL SWITCH - WOODWARD 138KV CKT 1	133	153	0.03189	143.417	WOODWARD (WOODWRD2) 138/69/13.2KV TRANSFORMER CKT 1
FDNS	06ALL	4	15G	G14_035	TO->FROM	FPL SWITCH - WOODWARD 138KV CKT 1	133	153	0.04556	143.0315	SPSCONT-05AX
FDNS	06ALL	4	15G	G14_035	TO->FROM	FPL SWITCH - WOODWARD 138KV CKT 1	133	153	0.04173	142.1867	ELK CITY 230KV - SWEETWATER 230KV CKT 1
FDNS	06ALL	4	15G	G14_035	TO->FROM	FPL SWITCH - WOODWARD 138KV CKT 1	133	153	0.04173	142.1522	ELK CITY 230KV (ELKCTY-6) 230/138/13.8KV TRANSFORMER CKT 1
FDNS	06ALL	4	15G	G14_035	TO->FROM	FPL SWITCH - WOODWARD 138KV CKT 1	133	153	0.04692	141.5408	SPSCONT-01
FDNS	06ALL	4	15G	G14_035	TO->FROM	FPL SWITCH - WOODWARD 138KV CKT 1	133	153	0.04195	139.7718	SPP-SWPS-03
FDNS	06ALL	4	15G	G14_035	TO->FROM	FPL SWITCH - WOODWARD 138KV CKT 1	133	153	0.04692	139.4068	OKLAUNION - TUCO INTERCHANGE 345KV CKT 1
FDNS	06ALL	4	15G	G14_035	TO->FROM	FPL SWITCH - WOODWARD 138KV CKT 1	133	153	0.04672	139.2189	SPP-SWPS-01
FDNS	06ALL	4	15G	G14_035	TO->FROM	FPL SWITCH - WOODWARD 138KV CKT 1	133	153	0.04173	138.5807	SPP-SWPS-02A
FDNS	06ALL	4	15G	G14_035	TO->FROM	FPL SWITCH - WOODWARD 138KV CKT 1	133	153	0.04173	138.419	GRAPEVINE INTERCHANGE - STATELINE INTERCHANGE 230KV CKT 1
FDNS	06ALL	4	15G	G14_035	TO->FROM	FPL SWITCH - WOODWARD 138KV CKT 1	133	153	0.0339	137.3554	IODINE - WOODWARD EHV 138KV CKT 1
FDNS	06ALL	4	15G	G14_035	TO->FROM	FPL SWITCH - WOODWARD 138KV CKT 1	133	153	0.0339	135.3142	DEWEY - IODINE 138KV CKT 1
FDNS	06ALL	4	15G	G14_035	TO->FROM	FPL SWITCH - WOODWARD 138KV CKT 1	133	153	0.04173	132.9488	STATELINE INTERCHANGE - STLN-DEMARC6 230KV CKT 1
FDNS	06ALL	4	15G	G14_035	TO->FROM	FPL SWITCH - WOODWARD 138KV CKT 1	133	153	0.04173	132.9455	SPP-SWPS-02
FDNS	06ALL	4	15G	G14_035	TO->FROM	FPL SWITCH - WOODWARD 138KV CKT 1	133	153	0.04173	132.9341	STLN-DEMARC6 - SWEETWATER 230KV CKT 1
FDNS	06ALL	4	15G	G14_035	TO->FROM	FPL SWITCH - WOODWARD 138KV CKT 1	133	153	0.03444	130.4008	GRAPEVINE INTERCHANGE - NICHOLS STATION 230KV CKT 1
FDNS	06ALL	4	15G	G14_035	TO->FROM	FPL SWITCH - WOODWARD 138KV CKT 1	133	153	0.03189	130.0269	WOODWARD - WOODWARD 69KV CKT 1
FDNS	06ALL	4	15G	G14_035	TO->FROM	FPL SWITCH - WOODWARD 138KV CKT 1	133	153	0.03465	126.1489	THISTLE7 345.00 - WOODWARD DISTRICT EHV 345KV CKT 1
FDNS	06ALL	4	15G	G14_035	TO->FROM	FPL SWITCH - WOODWARD 138KV CKT 1	133	153	0.03465	126.1489	THISTLE7 345.00 - WOODWARD DISTRICT EHV 345KV CKT 2
FDNS	06ALL	4	15G	G14_035	TO->FROM	FPL SWITCH - WOODWARD 138KV CKT 1	133	153	0.03417	124.4764	FINNEY SWITCHING STATION - HOLCOMB 345KV CKT 1
FDNS	06ALL	4	15G	G14_035	TO->FROM	FPL SWITCH - WOODWARD 138KV CKT 1	133	153	0.03174	124.1911	THISTLE7 345.00 - WICHITA 345KV CKT 1
FDNS	06ALL	4	15G	G14_035	TO->FROM	FPL SWITCH - WOODWARD 138KV CKT 1	133	153	0.03174	124.1911	THISTLE7 345.00 - WICHITA 345KV CKT 2
FDNS	06ALL	4	15G	G14_035	TO->FROM	FPL SWITCH - WOODWARD 138KV CKT 1	133	153	0.03417	123.2349	SPP-SWPS-05
FDNS	06ALL	4	15G	G14_035	TO->FROM	FPL SWITCH - WOODWARD 138KV CKT 1	133	153	0.03417	123.1767	FINNEY SWITCHING STATION - Hitchland Interchange 345KV CKT 1
FDNS	06ALL	4	15G	G14_035	TO->FROM	FPL SWITCH - WOODWARD 138KV CKT 1	133	153	0.03158	120.7359	ELLIS 4 138.00 - RED HILLS WIND 138KV CKT 1
FDNS	06ALL	4	15G	G14_035	TO->FROM	FPL SWITCH - WOODWARD 138KV CKT 1	133	153	0.03158	118.208	ELLIS 4 138.00 - MOREWOOD SW 138KV CKT 1
FDNS	06ALL	4	15SP	G14_035	TO->FROM	FPL SWITCH - WOODWARD 138KV CKT 1	133	153	0.05682	111.727	DBL-THIS-WWR
FDNS	06ALL	4	15G	G14_035	TO->FROM	FPL SWITCH - WOODWARD 138KV CKT 1	133	153	0.03158	106.2134	ELK CITY - RED HILLS WIND 138KV CKT 1
FDNS	06ALL	4	15SP	G14_035	TO->FROM	FPL SWITCH - WOODWARD 138KV CKT 1	133	153	0.04847	105.3474	NORTHWEST - TATONGA7 345.00 345KV CKT 1
FDNS	06ALL	4	15SP	G14_035	TO->FROM	FPL SWITCH - WOODWARD 138KV CKT 1	133	153	0.04988	104.7642	LAWTON EASTSIDE - OKLAUNION 345KV CKT 1
FDNS	06ALL	4	15SP	G14_035	TO->FROM	FPL SWITCH - WOODWARD 138KV CKT 1	133	153	0.04847	102.5806	SPSCONT-05B
FDNS	06ALL	4	15SP	G14_035	TO->FROM	FPL SWITCH - WOODWARD 138KV CKT 1	133	153	0.04847	101.4405	SPSCONT-04
FDNS	06ALL	4	15SP	G14_035	TO->FROM	FPL SWITCH - WOODWARD 138KV CKT 1	133	153	0.04591	100.7966	DBL-THIS-WIC
FDNS	06ALL	4	15SP	G14_035	TO->FROM	FPL SWITCH - WOODWARD 138KV CKT 1	133	153	0.03516	97.7	WOODWARD (WOODWRD2) 138/69/13.2KV TRANSFORMER CKT 1
FDNS	06ALL	4	20WP	G14_035	TO->FROM	FPL SWITCH - WOODWARD 138KV CKT 1	171	185	0.05136	96.7	NORTHWEST - TATONGA7 345.00 345KV CKT 1
FDNS	06ALL	4	20WP	G14_035	TO->FROM	FPL SWITCH - WOODWARD 138KV CKT 1	171	185	0.06064	96	DBL-THIS-WWR
FDNS	06ALL	4	15G	G14_035	TO->FROM	GRAPEVINE INTERCHANGE - NICHOLS STATION 230KV CKT 1	319	351	0.10202	104.2251	LAWTON EASTSIDE - OKLAUNION 345KV CKT 1
FDNS	06ALL	4	20WP	G14_035	TO->FROM	GRAPEVINE INTERCHANGE - NICHOLS STATION 230KV CKT 1	329	361	0.1313	102.6177	LAWTON EASTSIDE - OKLAUNION 345KV CKT 1
FDNS	06ALL	4	15SP	G14_035	TO->FROM	GRAPEVINE INTERCHANGE - NICHOLS STATION 230KV CKT 1	319	351	0.10351	99.55219	LAWTON EASTSIDE - OKLAUNION 345KV CKT 1
FDNS	06ALL	4	15G	G14_035	FROM->TO	GRAPEVINE INTERCHANGE - STATELINE INTERCHANGE 230KV CKT 1	319	351	0.11358	96.19302	LAWTON EASTSIDE - OKLAUNION 345KV CKT 1
FDNS	06ALL	4	15G	G14_035	FROM->TO	HARPER - MILAN TAP 138KV CKT 1	138	143	0.03301	116.387	DBL-THIS-WIC
FDNS	06ALL	4	15SP	G14_035	FROM->TO	HARPER - MILAN TAP 138KV CKT 1	127	136	0.03323	104.4151	DBL-THIS-WIC
FDNS	06ALL	4	15WP	G14_035	FROM->TO	HARPER - MILAN TAP 138KV CKT 1	143	143	0.03325	102.7046	DBL-THIS-WIC
FDNS	06ALL	4	15SP	G14_035	FROM->TO	PLANT X STATION (WH ALM20171) 230/115/13.2KV TRANSFORMER CKT 1	252	252	0.10851	106.8107	NEWHART 230 - PLANT X STATION 230KV CKT 1
FDNS	06ALL	4	15SP	G14_035	FROM->TO	PLANT X STATION (WH ALM20171) 230/115/13.2KV TRANSFORMER CKT 1	252	252	0.07363	104.6633	LAMB COUNTY INTERCHANGE - TOLK STATION WEST 230KV CKT 1
FDNS	06ALL	4	15SP	G14_035	FROM->TO	PLANT X STATION (WH ALM20171) 230/115/13.2KV TRANSFORMER CKT 1	252	252	0.07363	104.6607	LAMB COUNTY INTERCHANGE (WH ALM20172) 230/115/13.2KV TRANSFORMER CKT 1
FDNS	06ALL	4	15SP	G14_035	FROM->TO	PLANT X STATION (WH ALM20171) 230/115/13.2KV TRANSFORMER CKT 1	252	252	0.07363	104.6607	SPP-SWPS-K37
FDNS	06ALL	4	15SP	G14_035	FROM->TO	PLANT X STATION (WH ALM20171) 230/115/13.2KV TRANSFORMER CKT 1	252	252	0.10851	104.1177	NEWHART 230 - PLANT X STATION 230KV CKT 1
FDNS	06ALL	4	15SP	G14_035	FROM->TO	PLANT X STATION (WH ALM20171) 230/115/13.2KV TRANSFORMER CKT 1	252	252	0.09183	102.241	DEAF SMITH COUNTY INTERCHANGE - PLANT X STATION 230KV CKT 1
FDNS	06ALL	4	15SP	G14_035	FROM->TO	PLANT X STATION (WH ALM20171) 230/115/13.2KV TRANSFORMER CKT 1	252	252	0.07363	102.223	LAMB COUNTY INTERCHANGE - TOLK STATION WEST 230KV CKT 1
FDNS	06ALL	4	15SP	G14_035	FROM->TO	PLANT X STATION (WH ALM20171) 230/115/13.2KV TRANSFORMER CKT 1	252	252	0.07363	102.2204	LAMB COUNTY INTERCHANGE (WH ALM20172) 230/115/13.2KV TRANSFORMER CKT 1
FDNS	06ALL	4	15SP	G14_035	FROM->TO	PLANT X STATION (WH ALM20171) 230/115/13.2KV TRANSFORMER CKT 1	252	252	0.07363	102.2204	SPP-SWPS-K37
FDNS	06ALL	4	15SP	G14_035	FROM->TO	PLANT X STATION (WH ALM20171) 230/115/13.2KV TRANSFORMER CKT 1	252	252	0.09183	99.5	DEAF SMITH COUNTY INTERCHANGE - PLANT X STATION 230KV CKT 1
FDNS	06ALL	4	15SP	G14_035	FROM->TO	PLANT X STATION (WH ALM20171) 230/115/13.2KV TRANSFORMER CKT 1	252	252	0.06413	95.4	GEN525493 1-PLANT X GEN #3
FDNS	06ALL	4	15G	G14_035	FROM->TO	POTASH JUNCTION INTERCHANGE (GE M100747) 230/115/13.2KV TRANSFORMER CKT 1	150	150	0.04764	97.8	CARLSBAD INTERCHANGE - PECOS INTERCHANGE 115KV CKT 1
FDNS	06ALL	0	25SP	G14_047	TO->FROM	CARLSBAD INTERCHANGE - PECOS INTERCHANGE 115KV CKT 1	141	141	0.03567	116.6903	HOBBS - KIOWA 7345.00 345KV CKT 1
FDNS	06ALL	0	15G	G14_047	FROM->TO	CLEARWATER - GILL ENERGY CENTER WEST 138KV CKT 1	143	143	0.03312	100.5453	DBL-THIS-WIC
FDNS	06ALL	0	15G	G14_047	TO->FROM	CLEARWATER - MILAN TAP 138KV CKT 1	110	110	0.03312	140.1877	DBL-THIS-WIC
FDNS	06ALL	0	20WP	G14_047	TO->FROM	CLEARWATER - MILAN TAP 138KV CKT 1	110	110	0.03322	108.6601	DBL-THIS-WIC
FDNS	06ALL	0	15WP	G14_047	TO->FROM	CLEARWATER - MILAN TAP 138KV CKT 1	110	110	0.03336	106.268	DBL-THIS-WIC
FDNS	06ALL	0	15SP	G14_047	TO->FROM	CLEARWATER - MILAN TAP 138KV CKT 1	110	110	0.03335	100.0707	DBL-THIS-WIC
FDNS	06ALL	0	15SP	G14_047	FROM->TO	CURRY COUNTY INTERCHANGE - DEAF SMITH REC-#20 115KV CKT 1	96	96	0.06311	123.5747	DEAF SMITH COUNTY INTERCHANGE - PLANT X STATION 230KV CKT 1
FDNS	06ALL	0	20SP	G14_047	FROM->TO	CURRY COUNTY INTERCHANGE - DEAF SMITH REC-#20 115KV CKT 1	96	96	0.05391	106.7874	DEAF SMITH COUNTY INTERCHANGE - PLANT X STATION 230KV CKT 1
FDNS	06ALL	0	15SP	G14_047	FROM->TO	CURRY COUNTY INTERCHANGE - DEAF SMITH REC-#20 115KV CKT 1	96	96	0.04475	105.8568	LAWTON EASTSIDE - OKLAUNION 345KV CKT 1
FDNS	06ALL	0	15SP	G14_047	FROM->TO	CURRY COUNTY INTERCHANGE - DEAF SMITH REC-#20 115KV CKT 1	96	96	0.04518	97.6	SPP-SWPS-01
FDNS	06ALL	0	15SP	G14_047	FROM->TO	CURRY COUNTY INTERCHANGE - DEAF SMITH REC-#20 115KV CKT 1	96	96	0.04475	97.3	SPSCONT-01
FDNS	06ALL	0	15SP	G14_047	FROM->TO	CURRY COUNTY INTERCHANGE - DEAF SMITH REC-#20 115KV CKT 1	96	96	0.04475	97.2	OKLAUNION - TUCO INTERCHANGE 345KV CKT 1
FDNS	06ALL	0	15SP	G14_047	FROM->TO	CURRY COUNTY INTERCHANGE - DEAF SMITH REC-#20 115KV CKT 1	96	96	0.04706	96.1	NEWHART 230 - PLANT X STATION 230KV CKT 1
FDNS	06ALL	0	25SP	G14_047	FROM->TO	CURRY COUNTY INTERCHANGE - DEAF SMITH REC-#20 115KV CKT 1	96	96	0.05433	95.6	DEAF SMITH COUNTY INTERCHANGE - PLANT X STATION 230KV CKT 1
FDNS	06ALL	0	15SP	G14_047	TO->FROM	DEAF SMITH COUNTY INTERCHANGE - PLANT X STATION 230KV CKT 1	319	351	0.19785	109.7585	LAWTON EASTSIDE - OKLAUNION 345KV CKT 1

SOLUTION	GROUP	SCENARIO	SEASON	SOURCE	DIRECTION	MONITORED ELEMENT	RATEA (MVA)	RATEB(MVA)	TC%LOADING TDF (% MVA)	CONTINGENCY	
FDNS	06ALL	0	15SP	G14_047	TO->FROM	DEAF SMITH COUNTY INTERCHANGE - PLANT X STATION 230KV CKT 1	319	351	0.21913	97.5	NEWHART 230 - PLANT X STATION 230KV CKT 1
FDNS	06ALL	0	15SP	G14_047	TO->FROM	DEAF SMITH COUNTY INTERCHANGE - PLANT X STATION 230KV CKT 1	319	351	0.20037	96.9	SPP-SWPS-01
FDNS	06ALL	0	15SP	G14_047	TO->FROM	DEAF SMITH COUNTY INTERCHANGE - PLANT X STATION 230KV CKT 1	319	351	0.19785	96.3	SPSCONT-01
FDNS	06ALL	0	15SP	G14_047	TO->FROM	DEAF SMITH COUNTY INTERCHANGE - PLANT X STATION 230KV CKT 1	319	351	0.19785	96.1	OKLAUNION - TUCO INTERCHANGE 345KV CKT 1
FDNS	06ALL	0	15SP	G14_047	FROM->TO	DEAF SMITH REC-#20 - PARMER COUNTY SUB 115KV CKT 1	96	96	0.06311	110.3575	DEAF SMITH COUNTY INTERCHANGE - PLANT X STATION 230KV CKT 1
FDNS	06ALL	0	15SP	G14_047	TO->FROM	DEAF SMITH REC-#24 - PARMER COUNTY SUB 115KV CKT 1	96	96	0.06311	102.2169	DEAF SMITH COUNTY INTERCHANGE - PLANT X STATION 230KV CKT 1
FDNS	06ALL	0	20WP	G14_047	FROM->TO	EDDY_NORTH 6230.00 (WAUK WT01134) 230/115/13.2KV TRANSFORMER CKT 2	250	288	0.17721	103.8218	EDDY COUNTY INTERCHANGE - EDDY_NORTH 6230.00 230KV CKT @1
FDNS	06ALL	0	20WP	G14_047	FROM->TO	EDDY_NORTH 6230.00 (WAUK WT01134) 230/115/13.2KV TRANSFORMER CKT 2	250	288	0.17721	103.4874	EDDY COUNTY INTERCHANGE - EDDY_NORTH 6230.00 230KV CKT @1
FDNS	06ALL	0	25SP	G14_047	FROM->TO	EDDY_NORTH 6230.00 (WAUK WT01134) 230/115/13.2KV TRANSFORMER CKT 2	250	288	0.17811	101.6045	EDDY COUNTY INTERCHANGE - EDDY_NORTH 6230.00 230KV CKT @1
FDNS	06ALL	0	25SP	G14_047	FROM->TO	EDDY_NORTH 6230.00 (WAUK WT01134) 230/115/13.2KV TRANSFORMER CKT 2	250	288	0.17811	100.0691	EDDY COUNTY INTERCHANGE - EDDY_NORTH 6230.00 230KV CKT @1
FDNS	06ALL	0	15WP	G14_047	FROM->TO	EDDY_NORTH 6230.00 (WAUK WT01134) 230/115/13.2KV TRANSFORMER CKT 2	250	288	0.13974	97.1	EDDY COUNTY INTERCHANGE - EDDY_NORTH 6230.00 230KV CKT @1
FDNS	06ALL	0	15WP	G14_047	FROM->TO	EDDY_NORTH 6230.00 (WAUK WT01134) 230/115/13.2KV TRANSFORMER CKT 2	250	288	0.13974	97.1	EDDY COUNTY INTERCHANGE - EDDY_NORTH 6230.00 230KV CKT @1
FDNS	06ALL	0	15G	G14_047	FROM->TO	ELK CITY 230KV (ELKCTY-6) 230/138/13.8KV TRANSFORMER CKT 1	287	316	0.11424	107.0627	LAWTON EASTSIDE - OKLAUNION 345KV CKT 1
FDNS	06ALL	0	15G	G14_047	FROM->TO	ELK CITY 230KV (ELKCTY-6) 230/138/13.8KV TRANSFORMER CKT 1	287	316	0.11424	105.2129	LAWTON EASTSIDE - OKLAUNION 345KV CKT 1
FDNS	06ALL	0	15SP	G14_047	FROM->TO	ELK CITY 230KV (ELKCTY-6) 230/138/13.8KV TRANSFORMER CKT 1	272	316	0.12238	100.158	LAWTON EASTSIDE - OKLAUNION 345KV CKT 1
FDNS	06ALL	0	15WP	G14_047	FROM->TO	ELK CITY 230KV (ELKCTY-6) 230/138/13.8KV TRANSFORMER CKT 1	287	316	0.12583	100.0101	LAWTON EASTSIDE - OKLAUNION 345KV CKT 1
FDNS	06ALL	0	15SP	G14_047	FROM->TO	ELK CITY 230KV (ELKCTY-6) 230/138/13.8KV TRANSFORMER CKT 1	272	316	0.12238	98.72061	LAWTON EASTSIDE - OKLAUNION 345KV CKT 1
FDNS	06ALL	0	15WP	G14_047	FROM->TO	ELK CITY 230KV (ELKCTY-6) 230/138/13.8KV TRANSFORMER CKT 1	287	316	0.12583	98.59541	LAWTON EASTSIDE - OKLAUNION 345KV CKT 1
FDNS	06ALL	0	15G	G14_047	FROM->TO	ELK CITY 230KV (ELKCTY-6) 230/138/13.8KV TRANSFORMER CKT 1	287	316	0.10225	98.1	DBL-G1114-WW
FDNS	06ALL	0	15G	G14_047	FROM->TO	ELK CITY 230KV (ELKCTY-6) 230/138/13.8KV TRANSFORMER CKT 1	287	316	0.11424	97.8	SPSCONT-01
FDNS	06ALL	0	15G	G14_047	FROM->TO	ELK CITY 230KV (ELKCTY-6) 230/138/13.8KV TRANSFORMER CKT 1	287	316	0.11595	97.7	SPP-SWPS-01
FDNS	06ALL	0	15G	G14_047	FROM->TO	ELK CITY 230KV (ELKCTY-6) 230/138/13.8KV TRANSFORMER CKT 1	287	316	0.10225	96.9	DBL-BVR-G111
FDNS	06ALL	0	15G	G14_047	FROM->TO	ELK CITY 230KV (ELKCTY-6) 230/138/13.8KV TRANSFORMER CKT 1	287	316	0.10225	96.8	DBL-G1114-WW
FDNS	06ALL	0	15G	G14_047	FROM->TO	ELK CITY 230KV (ELKCTY-6) 230/138/13.8KV TRANSFORMER CKT 1	287	316	0.11424	96.7	SPSCONT-01
FDNS	06ALL	0	15G	G14_047	FROM->TO	ELK CITY 230KV (ELKCTY-6) 230/138/13.8KV TRANSFORMER CKT 1	287	316	0.11595	96.6	SPP-SWPS-01
FDNS	06ALL	0	15G	G14_047	FROM->TO	ELK CITY 230KV (ELKCTY-6) 230/138/13.8KV TRANSFORMER CKT 1	287	316	0.11424	96.5	OKLAUNION - TUCO INTERCHANGE 345KV CKT 1
FDNS	06ALL	0	15G	G14_047	FROM->TO	ELK CITY 230KV (ELKCTY-6) 230/138/13.8KV TRANSFORMER CKT 1	287	316	0.10225	95.7	DBL-BVR-G111
FDNS	06ALL	0	15G	G14_047	FROM->TO	ELK CITY 230KV (ELKCTY-6) 230/138/13.8KV TRANSFORMER CKT 1	287	316	0.11424	95.3	OKLAUNION - TUCO INTERCHANGE 345KV CKT 1
FDNS	06ALL	0	15SP	G14_047	TO->FROM	FLATRDG3 - THISTLE4 138.00 138KV CKT 1	286	286	0.04797	98.2	DBL-THIS-WIC
FDNS	06ALL	0	15G	G14_047	TO->FROM	FPL SWITCH - WOODWARD 138KV CKT 1	133	153	0.04555	161.177	NORTHWEST - TATONGA7 345.00 345KV CKT 1
FDNS	06ALL	0	15G	G14_047	TO->FROM	FPL SWITCH - WOODWARD 138KV CKT 1	133	153	0.05349	159.4244	DBL-THIS-WWR
FDNS	06ALL	0	15G	G14_047	TO->FROM	FPL SWITCH - WOODWARD 138KV CKT 1	133	153	0.04555	157.7992	SPSCONT-05B
FDNS	06ALL	0	15G	G14_047	TO->FROM	FPL SWITCH - WOODWARD 138KV CKT 1	133	153	0.04555	157.271	SPSCONT-04
FDNS	06ALL	0	15G	G14_047	TO->FROM	FPL SWITCH - WOODWARD 138KV CKT 1	133	153	0.04298	154.1519	DBL-THIS-WIC
FDNS	06ALL	0	15G	G14_047	TO->FROM	FPL SWITCH - WOODWARD 138KV CKT 1	133	153	0.0466	152.6111	LAWTON EASTSIDE - OKLAUNION 345KV CKT 1
FDNSLock	06ALL	0	15G	G14_047	TO->FROM	FPL SWITCH - WOODWARD 138KV CKT 1	133	153	0.04555	147.3779	G11_051T 345.00 - TATONGA7 345.00 345KV CKT 1
FDNS	06ALL	0	15G	G14_047	TO->FROM	FPL SWITCH - WOODWARD 138KV CKT 1	133	153	0.04555	146.4061	G11_051T 345.00 - WOODWARD DISTRICT EHV 345KV CKT 1
FDNS	06ALL	0	15G	G14_047	TO->FROM	FPL SWITCH - WOODWARD 138KV CKT 1	133	153	0.03181	143.416	WOODWARD (WOODWRD2) 138/69/13.2KV TRANSFORMER CKT 1
FDNS	06ALL	0	15G	G14_047	TO->FROM	FPL SWITCH - WOODWARD 138KV CKT 1	133	153	0.04555	143.1258	SPSCONT-05AX
FDNS	06ALL	0	15G	G14_047	TO->FROM	FPL SWITCH - WOODWARD 138KV CKT 1	133	153	0.04197	142.5155	ELK CITY 230KV - SWEETWATER 230KV CKT 1
FDNS	06ALL	0	15G	G14_047	TO->FROM	FPL SWITCH - WOODWARD 138KV CKT 1	133	153	0.04197	142.4842	ELK CITY 230KV (ELKCTY-6) 230/138/13.8KV TRANSFORMER CKT 1
FDNS	06ALL	0	15G	G14_047	TO->FROM	FPL SWITCH - WOODWARD 138KV CKT 1	133	153	0.0466	141.4059	SPSCONT-01
FDNS	06ALL	0	15G	G14_047	TO->FROM	FPL SWITCH - WOODWARD 138KV CKT 1	133	153	0.04219	140.0428	SPP-SWPS-03
FDNS	06ALL	0	15G	G14_047	TO->FROM	FPL SWITCH - WOODWARD 138KV CKT 1	133	153	0.0466	139.1883	OKLAUNION - TUCO INTERCHANGE 345KV CKT 1
FDNS	06ALL	0	15G	G14_047	TO->FROM	FPL SWITCH - WOODWARD 138KV CKT 1	133	153	0.04197	138.8333	SPP-SWPS-02A
FDNS	06ALL	0	15G	G14_047	TO->FROM	FPL SWITCH - WOODWARD 138KV CKT 1	133	153	0.04197	138.6923	GRAPEVINE INTERCHANGE - STATELINE INTERCHANGE 230KV CKT 1
FDNS	06ALL	0	15G	G14_047	TO->FROM	FPL SWITCH - WOODWARD 138KV CKT 1	133	153	0.04602	138.6877	SPP-SWPS-01
FDNS	06ALL	0	15G	G14_047	TO->FROM	FPL SWITCH - WOODWARD 138KV CKT 1	133	153	0.03384	137.3732	IODINE - WOODWARD EHV 138KV CKT 1
FDNS	06ALL	0	15G	G14_047	TO->FROM	FPL SWITCH - WOODWARD 138KV CKT 1	133	153	0.03384	135.335	DEWEY - IODINE 138KV CKT 1
FDNS	06ALL	0	15G	G14_047	TO->FROM	FPL SWITCH - WOODWARD 138KV CKT 1	133	153	0.04197	133.3058	STATELINE INTERCHANGE - STLN-DEMAR6 230KV CKT 1
FDNS	06ALL	0	15G	G14_047	TO->FROM	FPL SWITCH - WOODWARD 138KV CKT 1	133	153	0.04197	133.0811	SPP-SWPS-02
FDNS	06ALL	0	15G	G14_047	TO->FROM	FPL SWITCH - WOODWARD 138KV CKT 1	133	153	0.04197	133.0154	STLN-DEMAR6 - SWEETWATER 230KV CKT 1
FDNS	06ALL	0	15G	G14_047	TO->FROM	FPL SWITCH - WOODWARD 138KV CKT 1	133	153	0.03451	130.54	GRAPEVINE INTERCHANGE - NICHOLS STATION 230KV CKT 1
FDNS	06ALL	0	15G	G14_047	TO->FROM	FPL SWITCH - WOODWARD 138KV CKT 1	133	153	0.03181	130.0405	WOODWARD - WOODWARD 69KV CKT 1
FDNS	06ALL	0	15G	G14_047	TO->FROM	FPL SWITCH - WOODWARD 138KV CKT 1	133	153	0.03457	126.126	THISTLE7 345.00 - WOODWARD DISTRICT EHV 345KV CKT 1
FDNS	06ALL	0	15G	G14_047	TO->FROM	FPL SWITCH - WOODWARD 138KV CKT 1	133	153	0.03457	126.126	THISTLE7 345.00 - WOODWARD DISTRICT EHV 345KV CKT 2
FDNS	06ALL	0	15G	G14_047	TO->FROM	FPL SWITCH - WOODWARD 138KV CKT 1	133	153	0.03417	124.5649	FINNEY SWITCHING STATION - HOLCOMB 345KV CKT 1
FDNS	06ALL	0	15G	G14_047	TO->FROM	FPL SWITCH - WOODWARD 138KV CKT 1	133	153	0.03167	124.1871	THISTLE7 345.00 - WICHITA 345KV CKT 1
FDNS	06ALL	0	15G	G14_047	TO->FROM	FPL SWITCH - WOODWARD 138KV CKT 1	133	153	0.03167	124.1871	THISTLE7 345.00 - WICHITA 345KV CKT 2
FDNS	06ALL	0	15G	G14_047	TO->FROM	FPL SWITCH - WOODWARD 138KV CKT 1	133	153	0.03417	123.3196	SPP-SWPS-05
FDNS	06ALL	0	15G	G14_047	TO->FROM	FPL SWITCH - WOODWARD 138KV CKT 1	133	153	0.03417	123.2614	FINNEY SWITCHING STATION - Hitchland Interchange 345KV CKT 1
FDNS	06ALL	0	15G	G14_047	TO->FROM	FPL SWITCH - WOODWARD 138KV CKT 1	133	153	0.03158	120.7972	ELLIS 4 138.00 - RED HILLS WIND 138KV CKT 1
FDNS	06ALL	0	15G	G14_047	TO->FROM	FPL SWITCH - WOODWARD 138KV CKT 1	133	153	0.03158	118.2357	ELLIS 4 138.00 - MOREWOOD SW 138KV CKT 1
FDNS	06ALL	0	15SP	G14_047	TO->FROM	FPL SWITCH - WOODWARD 138KV CKT 1	133	153	0.0567	111.3808	DBL-THIS-WWR
FDNSLock	06ALL	0	15G	G14_047	TO->FROM	FPL SWITCH - WOODWARD 138KV CKT 1	133	153	0.03158	105.8896	ELK CITY - RED HILLS WIND 138KV CKT 1
FDNS	06ALL	0	15SP	G14_047	TO->FROM	FPL SWITCH - WOODWARD 138KV CKT 1	133	153	0.04846	105.3952	NORTHWEST - TATONGA7 345.00 345KV CKT 1
FDNS	06ALL	0	15SP	G14_047	TO->FROM	FPL SWITCH - WOODWARD 138KV CKT 1	133	153	0.04956	104.8311	LAWTON EASTSIDE - OKLAUNION 345KV CKT 1
FDNS	06ALL	0	15SP	G14_047	TO->FROM	FPL SWITCH - WOODWARD 138KV CKT 1	133	153	0.04846	102.6277	SPSCONT-05B
FDNS	06ALL	0	15SP	G14_047	TO->FROM	FPL SWITCH - WOODWARD 138KV CKT 1	133	153	0.04846	101.4863	SPSCONT-04
FDNS	06ALL	0	15SP	G14_047	TO->FROM	FPL SWITCH - WOODWARD 138KV CKT 1	133	153	0.04588	100.8287	DBL-THIS-WIC
FDNS	06ALL	0	15SP	G14_047	TO->FROM	FPL SWITCH - WOODWARD 138KV CKT 1	133	153	0.03508	97.7	WOODWARD (WOODWRD2) 138/69/13.2KV TRANSFORMER CKT 1
FDNS	06ALL	0	20WP	G14_047	TO->FROM	FPL SWITCH - WOODWARD 138KV CKT 1	171	185	0.05149	96.8	NORTHWEST - TATONGA7 345.00 345KV CKT 1

SOLUTION	GROUP	SCENARIO	SEASON	SOURCE	DIRECTION	MONITORED ELEMENT	RATEA (MVA)	RATEB(MVA)	TDF	TC%LOADING (% MVA)	CONTINGENCY
FDNS	06ALL	0	20WP	G14_047	TO->FROM	FPL SWITCH - WOODWARD 138KV CKT 1	171	185	0.06063	96	DBL-THIS-WWR
FDNS	06ALL	0	15G	G14_047	TO->FROM	GRAPEVINE INTERCHANGE - NICHOLS STATION 230KV CKT 1	319	351	0.10262	104.4035	LAWTON EASTSIDE - OKLAUNION 345KV CKT 1
FDNS	06ALL	0	20WP	G14_047	TO->FROM	GRAPEVINE INTERCHANGE - NICHOLS STATION 230KV CKT 1	329	361	0.1325	102.8268	LAWTON EASTSIDE - OKLAUNION 345KV CKT 1
FDNS	06ALL	0	15SP	G14_047	TO->FROM	GRAPEVINE INTERCHANGE - NICHOLS STATION 230KV CKT 1	319	351	0.10417	99.65252	LAWTON EASTSIDE - OKLAUNION 345KV CKT 1
FDNS	06ALL	0	15G	G14_047	FROM->TO	GRAPEVINE INTERCHANGE - STATELINE INTERCHANGE 230KV CKT 1	319	351	0.11424	96.46441	LAWTON EASTSIDE - OKLAUNION 345KV CKT 1
FDNS	06ALL	0	15G	G14_047	FROM->TO	HARPER - MILAN TAP 138KV CKT 1	138	143	0.03312	116.5991	DBL-THIS-WIC
FDNS	06ALL	0	15SP	G14_047	FROM->TO	HARPER - MILAN TAP 138KV CKT 1	127	136	0.03335	104.5127	DBL-THIS-WIC
FDNS	06ALL	0	15WP	G14_047	FROM->TO	HARPER - MILAN TAP 138KV CKT 1	143	143	0.03336	102.8215	DBL-THIS-WIC
FDNS	06ALL	0	15WP	G14_047	TO->FROM	PLANT X STATION - TOLK STATION EAST 230KV CKT 2	557	557	0.4284	99.8	PLANT X STATION - TOLK STATION WEST 230KV CKT 1
FDNS	06ALL	0	20SP	G14_047	TO->FROM	PLANT X STATION - TOLK STATION EAST 230KV CKT 2	478	502	0.38827	96.1	PLANT X STATION - TOLK STATION WEST 230KV CKT 1
FDNS	06ALL	0	20SP	G14_047	TO->FROM	PLANT X STATION - TOLK STATION WEST 230KV CKT 1	478	502	0.39177	96.8	PLANT X STATION - TOLK STATION EAST 230KV CKT 2
FDNS	06ALL	0	15SP	G14_047	FROM->TO	PLANT X STATION (WH ALM20171) 230/115/13.2KV TRANSFORMER CKT 1	252	252	0.11874	106.868	NEWHART 230 - PLANT X STATION 230KV CKT 1
FDNS	06ALL	0	15SP	G14_047	FROM->TO	PLANT X STATION (WH ALM20171) 230/115/13.2KV TRANSFORMER CKT 1	252	252	0.08588	104.7391	SPP-SWPS-K37
FDNS	06ALL	0	15SP	G14_047	FROM->TO	PLANT X STATION (WH ALM20171) 230/115/13.2KV TRANSFORMER CKT 1	252	252	0.08588	104.739	LAMB COUNTY INTERCHANGE (WH ALM20172) 230/115/13.2KV TRANSFORMER CKT 1
FDNS	06ALL	0	15SP	G14_047	FROM->TO	PLANT X STATION (WH ALM20171) 230/115/13.2KV TRANSFORMER CKT 1	252	252	0.08588	104.7164	LAMB COUNTY INTERCHANGE - TOLK STATION WEST 230KV CKT 1
FDNS	06ALL	0	15SP	G14_047	FROM->TO	PLANT X STATION (WH ALM20171) 230/115/13.2KV TRANSFORMER CKT 1	252	252	0.11874	104.1846	NEWHART 230 - PLANT X STATION 230KV CKT 1
FDNS	06ALL	0	15SP	G14_047	FROM->TO	PLANT X STATION (WH ALM20171) 230/115/13.2KV TRANSFORMER CKT 1	252	252	0.10246	102.4562	DEAF SMITH COUNTY INTERCHANGE - PLANT X STATION 230KV CKT 1
FDNS	06ALL	0	15SP	G14_047	FROM->TO	PLANT X STATION (WH ALM20171) 230/115/13.2KV TRANSFORMER CKT 1	252	252	0.08588	102.3057	SPP-SWPS-K37
FDNS	06ALL	0	15SP	G14_047	FROM->TO	PLANT X STATION (WH ALM20171) 230/115/13.2KV TRANSFORMER CKT 1	252	252	0.08588	102.3056	LAMB COUNTY INTERCHANGE (WH ALM20172) 230/115/13.2KV TRANSFORMER CKT 1
FDNS	06ALL	0	15SP	G14_047	FROM->TO	PLANT X STATION (WH ALM20171) 230/115/13.2KV TRANSFORMER CKT 1	252	252	0.08588	102.2824	LAMB COUNTY INTERCHANGE - TOLK STATION WEST 230KV CKT 1
FDNS	06ALL	0	15SP	G14_047	FROM->TO	PLANT X STATION (WH ALM20171) 230/115/13.2KV TRANSFORMER CKT 1	252	252	0.10246	99.7	DEAF SMITH COUNTY INTERCHANGE - PLANT X STATION 230KV CKT 1
FDNS	06ALL	0	15SP	G14_047	FROM->TO	PLANT X STATION (WH ALM20171) 230/115/13.2KV TRANSFORMER CKT 1	252	252	0.0719	95.5	GEN525493 1-PLANT X GEN #3
FDNS	06ALL	2	25SP	G14_047	TO->FROM	CARLSBAD INTERCHANGE - PECOS INTERCHANGE 115KV CKT 1	141	141	0.03551	116.6872	HOBBS - KIOWA 7345.00 345KV CKT 1
FDNS	06ALL	2	15G	G14_047	FROM->TO	CLEARWATER - GILL ENERGY CENTER WEST 138KV CKT 1	143	143	0.03301	100.3876	DBL-THIS-WIC
FDNS	06ALL	2	15G	G14_047	TO->FROM	CLEARWATER - MILAN TAP 138KV CKT 1	110	110	0.03301	139.9774	DBL-THIS-WIC
FDNS	06ALL	2	20WP	G14_047	TO->FROM	CLEARWATER - MILAN TAP 138KV CKT 1	110	110	0.03317	108.5614	DBL-THIS-WIC
FDNS	06ALL	2	15WP	G14_047	TO->FROM	CLEARWATER - MILAN TAP 138KV CKT 1	110	110	0.03325	106.1489	DBL-THIS-WIC
FDNS	06ALL	2	15SP	G14_047	TO->FROM	CLEARWATER - MILAN TAP 138KV CKT 1	110	110	0.03324	100	DBL-THIS-WIC
FDNS	06ALL	2	15SP	G14_047	FROM->TO	CURRY COUNTY INTERCHANGE - DEAF SMITH REC-#20 115KV CKT 1	96	96	0.06274	123.1635	DEAF SMITH COUNTY INTERCHANGE - PLANT X STATION 230KV CKT 1
FDNS	06ALL	2	20SP	G14_047	FROM->TO	CURRY COUNTY INTERCHANGE - DEAF SMITH REC-#20 115KV CKT 1	96	96	0.05385	106.7095	DEAF SMITH COUNTY INTERCHANGE - PLANT X STATION 230KV CKT 1
FDNS	06ALL	2	15SP	G14_047	FROM->TO	CURRY COUNTY INTERCHANGE - DEAF SMITH REC-#20 115KV CKT 1	96	96	0.04469	105.7855	LAWTON EASTSIDE - OKLAUNION 345KV CKT 1
FDNS	06ALL	2	15SP	G14_047	FROM->TO	CURRY COUNTY INTERCHANGE - DEAF SMITH REC-#20 115KV CKT 1	96	96	0.04489	97.4	SPP-SWPS-01
FDNS	06ALL	2	15SP	G14_047	FROM->TO	CURRY COUNTY INTERCHANGE - DEAF SMITH REC-#20 115KV CKT 1	96	96	0.04469	97.2	SPSCONT-01
FDNS	06ALL	2	15SP	G14_047	FROM->TO	CURRY COUNTY INTERCHANGE - DEAF SMITH REC-#20 115KV CKT 1	96	96	0.04469	97.1	OKLAUNION - TUCO INTERCHANGE 345KV CKT 1
FDNS	06ALL	2	15SP	G14_047	FROM->TO	CURRY COUNTY INTERCHANGE - DEAF SMITH REC-#20 115KV CKT 1	96	96	0.04691	95.9	NEWHART 230 - PLANT X STATION 230KV CKT 1
FDNS	06ALL	2	25SP	G14_047	FROM->TO	CURRY COUNTY INTERCHANGE - DEAF SMITH REC-#20 115KV CKT 1	96	96	0.05427	95.5	DEAF SMITH COUNTY INTERCHANGE - PLANT X STATION 230KV CKT 1
FDNS	06ALL	2	15SP	G14_047	TO->FROM	DEAF SMITH COUNTY INTERCHANGE - PLANT X STATION 230KV CKT 1	319	351	0.19738	109.6348	LAWTON EASTSIDE - OKLAUNION 345KV CKT 1
FDNS	06ALL	2	15SP	G14_047	TO->FROM	DEAF SMITH COUNTY INTERCHANGE - PLANT X STATION 230KV CKT 1	319	351	0.2181	97.1	NEWHART 230 - PLANT X STATION 230KV CKT 1
FDNS	06ALL	2	15SP	G14_047	TO->FROM	DEAF SMITH COUNTY INTERCHANGE - PLANT X STATION 230KV CKT 1	319	351	0.19848	96.4	SPP-SWPS-01
FDNS	06ALL	2	15SP	G14_047	TO->FROM	DEAF SMITH COUNTY INTERCHANGE - PLANT X STATION 230KV CKT 1	319	351	0.19738	96.1	SPSCONT-01
FDNS	06ALL	2	15SP	G14_047	TO->FROM	DEAF SMITH COUNTY INTERCHANGE - PLANT X STATION 230KV CKT 1	319	351	0.19738	96	OKLAUNION - TUCO INTERCHANGE 345KV CKT 1
FDNS	06ALL	2	15SP	G14_047	FROM->TO	DEAF SMITH REC-#20 - PARMER COUNTY SUB 115KV CKT 1	96	96	0.06274	109.9541	DEAF SMITH COUNTY INTERCHANGE - PLANT X STATION 230KV CKT 1
FDNS	06ALL	2	15SP	G14_047	TO->FROM	DEAF SMITH REC-#24 - PARMER COUNTY SUB 115KV CKT 1	96	96	0.06274	101.8097	DEAF SMITH COUNTY INTERCHANGE - PLANT X STATION 230KV CKT 1
FDNS	06ALL	2	20WP	G14_047	FROM->TO	EDDY_NORTH 6230.00 (WAUK WT01134) 230/115/13.2KV TRANSFORMER CKT 2	250	288	0.17638	103.1673	EDDY COUNTY INTERCHANGE - EDDY_NORTH 6230.00 230KV CKT @1
FDNS	06ALL	2	20WP	G14_047	FROM->TO	EDDY_NORTH 6230.00 (WAUK WT01134) 230/115/13.2KV TRANSFORMER CKT 2	250	288	0.17638	102.8177	EDDY COUNTY INTERCHANGE - EDDY_NORTH 6230.00 230KV CKT @1
FDNS	06ALL	2	25SP	G14_047	FROM->TO	EDDY_NORTH 6230.00 (WAUK WT01134) 230/115/13.2KV TRANSFORMER CKT 2	250	288	0.17726	101.5495	EDDY COUNTY INTERCHANGE - EDDY_NORTH 6230.00 230KV CKT @1
FDNS	06ALL	2	25SP	G14_047	FROM->TO	EDDY_NORTH 6230.00 (WAUK WT01134) 230/115/13.2KV TRANSFORMER CKT 2	250	288	0.17726	100	EDDY COUNTY INTERCHANGE - EDDY_NORTH 6230.00 230KV CKT @1
FDNS	06ALL	2	15WP	G14_047	FROM->TO	EDDY_NORTH 6230.00 (WAUK WT01134) 230/115/13.2KV TRANSFORMER CKT 2	250	288	0.13977	97.1	EDDY COUNTY INTERCHANGE - EDDY_NORTH 6230.00 230KV CKT @1
FDNS	06ALL	2	15WP	G14_047	FROM->TO	EDDY_NORTH 6230.00 (WAUK WT01134) 230/115/13.2KV TRANSFORMER CKT 2	250	288	0.13977	97.1	EDDY COUNTY INTERCHANGE - EDDY_NORTH 6230.00 230KV CKT @1
FDNS	06ALL	2	15G	G14_047	FROM->TO	ELK CITY 230KV (ELKCTY-6) 230/138/13.8KV TRANSFORMER CKT 1	287	316	0.11363	106.8055	LAWTON EASTSIDE - OKLAUNION 345KV CKT 1
FDNS	06ALL	2	15G	G14_047	FROM->TO	ELK CITY 230KV (ELKCTY-6) 230/138/13.8KV TRANSFORMER CKT 1	287	316	0.11363	104.9756	LAWTON EASTSIDE - OKLAUNION 345KV CKT 1
FDNS	06ALL	2	15SP	G14_047	FROM->TO	ELK CITY 230KV (ELKCTY-6) 230/138/13.8KV TRANSFORMER CKT 1	272	316	0.12173	100.0284	LAWTON EASTSIDE - OKLAUNION 345KV CKT 1
FDNS	06ALL	2	15WP	G14_047	FROM->TO	ELK CITY 230KV (ELKCTY-6) 230/138/13.8KV TRANSFORMER CKT 1	287	316	0.12517	99.83074	LAWTON EASTSIDE - OKLAUNION 345KV CKT 1
FDNS	06ALL	2	15SP	G14_047	FROM->TO	ELK CITY 230KV (ELKCTY-6) 230/138/13.8KV TRANSFORMER CKT 1	272	316	0.12173	98.59394	LAWTON EASTSIDE - OKLAUNION 345KV CKT 1
FDNS	06ALL	2	15WP	G14_047	FROM->TO	ELK CITY 230KV (ELKCTY-6) 230/138/13.8KV TRANSFORMER CKT 1	287	316	0.12517	98.42802	LAWTON EASTSIDE - OKLAUNION 345KV CKT 1
FDNS	06ALL	2	15G	G14_047	FROM->TO	ELK CITY 230KV (ELKCTY-6) 230/138/13.8KV TRANSFORMER CKT 1	287	316	0.11363	97.6	SPSCONT-01
FDNS	06ALL	2	15G	G14_047	FROM->TO	ELK CITY 230KV (ELKCTY-6) 230/138/13.8KV TRANSFORMER CKT 1	287	316	0.09989	96.8	DBL-G1114-WW
FDNS	06ALL	2	15G	G14_047	FROM->TO	ELK CITY 230KV (ELKCTY-6) 230/138/13.8KV TRANSFORMER CKT 1	287	316	0.11422	96.7	SPP-SWPS-01
FDNS	06ALL	2	15G	G14_047	FROM->TO	ELK CITY 230KV (ELKCTY-6) 230/138/13.8KV TRANSFORMER CKT 1	287	316	0.11363	96.5	SPSCONT-01
FDNS	06ALL	2	15G	G14_047	FROM->TO	ELK CITY 230KV (ELKCTY-6) 230/138/13.8KV TRANSFORMER CKT 1	287	316	0.11363	96.2	OKLAUNION - TUCO INTERCHANGE 345KV CKT 1
FDNS	06ALL	2	15G	G14_047	FROM->TO	ELK CITY 230KV (ELKCTY-6) 230/138/13.8KV TRANSFORMER CKT 1	287	316	0.11422	95.7	SPP-SWPS-01
FDNS	06ALL	2	15G	G14_047	FROM->TO	ELK CITY 230KV (ELKCTY-6) 230/138/13.8KV TRANSFORMER CKT 1	287	316	0.09989	95.6	DBL-G1114-WW
FDNS	06ALL	2	15G	G14_047	FROM->TO	ELK CITY 230KV (ELKCTY-6) 230/138/13.8KV TRANSFORMER CKT 1	287	316	0.09989	95.5	DBL-BVR-G111
FDNS	06ALL	2	15G	G14_047	FROM->TO	ELK CITY 230KV (ELKCTY-6) 230/138/13.8KV TRANSFORMER CKT 1	287	316	0.11363	95.1	OKLAUNION - TUCO INTERCHANGE 345KV CKT 1
FDNS	06ALL	2	15SP	G14_047	TO->FROM	FLATRDG3 - THISTLE4 138.00 138KV CKT 1	286	286	0.04788	98.1	DBL-THIS-WIC
FDNS	06ALL	2	15G	G14_047	TO->FROM	FPL SWITCH - WOODWARD 138KV CKT 1	133	153	0.04553	161.0764	NORTHWEST - TATONGA7 345.00 345KV CKT 1
FDNS	06ALL	2	15G	G14_047	TO->FROM	FPL SWITCH - WOODWARD 138KV CKT 1	133	153	0.05355	159.4718	DBL-THIS-WWR
FDNS	06ALL	2	15G	G14_047	TO->FROM	FPL SWITCH - WOODWARD 138KV CKT 1	133	153	0.04553	157.784	SPSCONT-05B
FDNS	06ALL	2	15G	G14_047	TO->FROM	FPL SWITCH - WOODWARD 138KV CKT 1	133	153	0.04553	157.1004	SPSCONT-04
FDNS	06ALL	2	15G	G14_047	TO->FROM	FPL SWITCH - WOODWARD 138KV CKT 1	133	153	0.04298	154.0923	DBL-THIS-WIC
FDNS	06ALL	2	15G	G14_047	TO->FROM	FPL SWITCH - WOODWARD 138KV CKT 1	133	153	0.0468	152.7189	LAWTON EASTSIDE - OKLAUNION 345KV CKT 1
FDNS	06ALL	2	15G	G14_047	TO->FROM	FPL SWITCH - WOODWARD 138KV CKT 1	133	153	0.04553	147.5378	G11_051T 345.00 - TATONGA7 345.00 345KV CKT 1

SOLUTION	GROUP	SCENARIO	SEASON	SOURCE	DIRECTION	MONITORED ELEMENT	RATEA (MVA)	RATEB(MVA)	TDF	TC%LOADING (% MVA)	CONTINGENCY
FDNS	06ALL	2	15G	G14_047	TO->FROM	FPL SWITCH - WOODWARD 138KV CKT 1	133	153	0.04553	146.3224	G11_051T 345.00 - WOODWARD DISTRICT EHV 345KV CKT 1
FDNS	06ALL	2	15G	G14_047	TO->FROM	FPL SWITCH - WOODWARD 138KV CKT 1	133	153	0.03186	143.4813	WOODWARD (WOODWRD2) 138/69/13.2KV TRANSFORMER CKT 1
FDNS	06ALL	2	15G	G14_047	TO->FROM	FPL SWITCH - WOODWARD 138KV CKT 1	133	153	0.04553	143.1119	SPSCONT-05AX
FDNS	06ALL	2	15G	G14_047	TO->FROM	FPL SWITCH - WOODWARD 138KV CKT 1	133	153	0.04174	142.197	ELK CITY 230KV - SWEETWATER 230KV CKT 1
FDNS	06ALL	2	15G	G14_047	TO->FROM	FPL SWITCH - WOODWARD 138KV CKT 1	133	153	0.04174	142.1652	ELK CITY 230KV (ELKCTY-6) 230/138/13.8KV TRANSFORMER CKT 1
FDNS	06ALL	2	15G	G14_047	TO->FROM	FPL SWITCH - WOODWARD 138KV CKT 1	133	153	0.0468	141.5791	SPSCONT-01
FDNS	06ALL	2	15G	G14_047	TO->FROM	FPL SWITCH - WOODWARD 138KV CKT 1	133	153	0.04196	139.7583	SPP-SWPS-03
FDNS	06ALL	2	15G	G14_047	TO->FROM	FPL SWITCH - WOODWARD 138KV CKT 1	133	153	0.0468	139.3711	OKLAUNION - TUCO INTERCHANGE 345KV CKT 1
FDNS	06ALL	2	15G	G14_047	TO->FROM	FPL SWITCH - WOODWARD 138KV CKT 1	133	153	0.0466	139.1429	SPP-SWPS-01
FDNS	06ALL	2	15G	G14_047	TO->FROM	FPL SWITCH - WOODWARD 138KV CKT 1	133	153	0.04174	138.6541	SPP-SWPS-02A
FDNS	06ALL	2	15G	G14_047	TO->FROM	FPL SWITCH - WOODWARD 138KV CKT 1	133	153	0.04174	138.3635	GRAPEVINE INTERCHANGE - STATELINE INTERCHANGE 230KV CKT 1
FDNSLock	06ALL	2	15G	G14_047	TO->FROM	FPL SWITCH - WOODWARD 138KV CKT 1	133	153	0.03387	137.0502	IODINE - WOODWARD EHV 138KV CKT 1
FDNS	06ALL	2	15G	G14_047	TO->FROM	FPL SWITCH - WOODWARD 138KV CKT 1	133	153	0.03387	135.4149	DEWEY - IODINE 138KV CKT 1
FDNS	06ALL	2	15G	G14_047	TO->FROM	FPL SWITCH - WOODWARD 138KV CKT 1	133	153	0.04174	132.7991	STATELINE INTERCHANGE - STLN-DEMARC6 230KV CKT 1
FDNS	06ALL	2	15G	G14_047	TO->FROM	FPL SWITCH - WOODWARD 138KV CKT 1	133	153	0.04174	132.7953	SPP-SWPS-02
FDNS	06ALL	2	15G	G14_047	TO->FROM	FPL SWITCH - WOODWARD 138KV CKT 1	133	153	0.04174	132.7834	STLN-DEMARC6 - SWEETWATER 230KV CKT 1
FDNS	06ALL	2	15G	G14_047	TO->FROM	FPL SWITCH - WOODWARD 138KV CKT 1	133	153	0.03443	130.4683	GRAPEVINE INTERCHANGE - NICHOLS STATION 230KV CKT 1
FDNS	06ALL	2	15G	G14_047	TO->FROM	FPL SWITCH - WOODWARD 138KV CKT 1	133	153	0.03186	130.1106	WOODWARD - WOODWARD 69KV CKT 1
FDNS	06ALL	2	15G	G14_047	TO->FROM	FPL SWITCH - WOODWARD 138KV CKT 1	133	153	0.03462	126.1934	THISTLE7 345.00 - WOODWARD DISTRICT EHV 345KV CKT 1
FDNS	06ALL	2	15G	G14_047	TO->FROM	FPL SWITCH - WOODWARD 138KV CKT 1	133	153	0.03462	126.1934	THISTLE7 345.00 - WOODWARD DISTRICT EHV 345KV CKT 2
FDNS	06ALL	2	15G	G14_047	TO->FROM	FPL SWITCH - WOODWARD 138KV CKT 1	133	153	0.03415	124.5364	FINNEY SWITCHING STATION - HOLCOMB 345KV CKT 1
FDNS	06ALL	2	15G	G14_047	TO->FROM	FPL SWITCH - WOODWARD 138KV CKT 1	133	153	0.03171	124.2225	THISTLE7 345.00 - WICHITA 345KV CKT 1
FDNS	06ALL	2	15G	G14_047	TO->FROM	FPL SWITCH - WOODWARD 138KV CKT 1	133	153	0.03171	124.2225	THISTLE7 345.00 - WICHITA 345KV CKT 2
FDNS	06ALL	2	15G	G14_047	TO->FROM	FPL SWITCH - WOODWARD 138KV CKT 1	133	153	0.03415	123.294	SPP-SWPS-05
FDNS	06ALL	2	15G	G14_047	TO->FROM	FPL SWITCH - WOODWARD 138KV CKT 1	133	153	0.03415	123.2358	FINNEY SWITCHING STATION - Hitchland Interchange 345KV CKT 1
FDNS	06ALL	2	15G	G14_047	TO->FROM	FPL SWITCH - WOODWARD 138KV CKT 1	133	153	0.03156	120.7881	ELLIS 4 138.00 - RED HILLS WIND 138KV CKT 1
FDNS	06ALL	2	15G	G14_047	TO->FROM	FPL SWITCH - WOODWARD 138KV CKT 1	133	153	0.03156	118.2424	ELLIS 4 138.00 - MOREWOOD SW 138KV CKT 1
FDNS	06ALL	2	15SP	G14_047	TO->FROM	FPL SWITCH - WOODWARD 138KV CKT 1	133	153	0.05678	111.8037	DBL-THIS-WWR
FDNS	06ALL	2	15G	G14_047	TO->FROM	FPL SWITCH - WOODWARD 138KV CKT 1	133	153	0.03156	105.8822	ELK CITY - RED HILLS WIND 138KV CKT 1
FDNS	06ALL	2	15SP	G14_047	TO->FROM	FPL SWITCH - WOODWARD 138KV CKT 1	133	153	0.04846	105.4283	NORTHWEST - TATONGA7 345.00 345KV CKT 1
FDNS	06ALL	2	15SP	G14_047	TO->FROM	FPL SWITCH - WOODWARD 138KV CKT 1	133	153	0.04978	104.792	LAWTON EASTSIDE - OKLAUNION 345KV CKT 1
FDNS	06ALL	2	15SP	G14_047	TO->FROM	FPL SWITCH - WOODWARD 138KV CKT 1	133	153	0.04846	102.6609	SPSCONT-05B
FDNS	06ALL	2	15SP	G14_047	TO->FROM	FPL SWITCH - WOODWARD 138KV CKT 1	133	153	0.04846	101.5196	SPSCONT-04
FDNS	06ALL	2	15SP	G14_047	TO->FROM	FPL SWITCH - WOODWARD 138KV CKT 1	133	153	0.0459	100.868	DBL-THIS-WIC
FDNS	06ALL	2	15SP	G14_047	TO->FROM	FPL SWITCH - WOODWARD 138KV CKT 1	133	153	0.03514	97.8	WOODWARD (WOODWRD2) 138/69/13.2KV TRANSFORMER CKT 1
FDNS	06ALL	2	20WP	G14_047	TO->FROM	FPL SWITCH - WOODWARD 138KV CKT 1	171	185	0.05147	96.8	NORTHWEST - TATONGA7 345.00 345KV CKT 1
FDNS	06ALL	2	20WP	G14_047	TO->FROM	FPL SWITCH - WOODWARD 138KV CKT 1	171	185	0.06065	96.1	DBL-THIS-WWR
FDNS	06ALL	2	15G	G14_047	TO->FROM	GRAPEVINE INTERCHANGE - NICHOLS STATION 230KV CKT 1	319	351	0.10207	104.1544	LAWTON EASTSIDE - OKLAUNION 345KV CKT 1
FDNS	06ALL	2	20WP	G14_047	TO->FROM	GRAPEVINE INTERCHANGE - NICHOLS STATION 230KV CKT 1	329	361	0.13224	102.6379	LAWTON EASTSIDE - OKLAUNION 345KV CKT 1
FDNS	06ALL	2	15SP	G14_047	TO->FROM	GRAPEVINE INTERCHANGE - NICHOLS STATION 230KV CKT 1	319	351	0.10362	99.55632	LAWTON EASTSIDE - OKLAUNION 345KV CKT 1
FDNS	06ALL	2	15G	G14_047	FROM->TO	GRAPEVINE INTERCHANGE - STATELINE INTERCHANGE 230KV CKT 1	319	351	0.11363	96.1822	LAWTON EASTSIDE - OKLAUNION 345KV CKT 1
FDNS	06ALL	2	15G	G14_047	FROM->TO	HARPER - MILAN TAP 138KV CKT 1	138	143	0.03301	116.4392	DBL-THIS-WIC
FDNS	06ALL	2	15SP	G14_047	FROM->TO	HARPER - MILAN TAP 138KV CKT 1	127	136	0.03324	104.4461	DBL-THIS-WIC
FDNS	06ALL	2	15WP	G14_047	FROM->TO	HARPER - MILAN TAP 138KV CKT 1	143	143	0.03325	102.7312	DBL-THIS-WIC
FDNS	06ALL	2	15WP	G14_047	TO->FROM	PLANT X STATION - TOLK STATION EAST 230KV CKT 2	557	557	0.42809	99.7	PLANT X STATION - TOLK STATION WEST 230KV CKT 1
FDNS	06ALL	2	20SP	G14_047	TO->FROM	PLANT X STATION - TOLK STATION EAST 230KV CKT 2	478	502	0.38888	96.2	PLANT X STATION - TOLK STATION WEST 230KV CKT 1
FDNS	06ALL	2	20SP	G14_047	TO->FROM	PLANT X STATION - TOLK STATION WEST 230KV CKT 1	478	502	0.39239	96.9	PLANT X STATION - TOLK STATION EAST 230KV CKT 2
FDNS	06ALL	2	15SP	G14_047	FROM->TO	PLANT X STATION (WH ALM20171) 230/115/13.2KV TRANSFORMER CKT 1	252	252	0.11898	106.9543	NEWHART 230 - PLANT X STATION 230KV CKT 1
FDNS	06ALL	2	15SP	G14_047	FROM->TO	PLANT X STATION (WH ALM20171) 230/115/13.2KV TRANSFORMER CKT 1	252	252	0.08599	104.7846	LAMB COUNTY INTERCHANGE (WH ALM20172) 230/115/13.2KV TRANSFORMER CKT 1
FDNS	06ALL	2	15SP	G14_047	FROM->TO	PLANT X STATION (WH ALM20171) 230/115/13.2KV TRANSFORMER CKT 1	252	252	0.08599	104.7807	SPP-SWPS-K37
FDNS	06ALL	2	15SP	G14_047	FROM->TO	PLANT X STATION (WH ALM20171) 230/115/13.2KV TRANSFORMER CKT 1	252	252	0.08599	104.7599	LAMB COUNTY INTERCHANGE - TOLK STATION WEST 230KV CKT 1
FDNS	06ALL	2	15SP	G14_047	FROM->TO	PLANT X STATION (WH ALM20171) 230/115/13.2KV TRANSFORMER CKT 1	252	252	0.11898	104.2664	NEWHART 230 - PLANT X STATION 230KV CKT 1
FDNS	06ALL	2	15SP	G14_047	FROM->TO	PLANT X STATION (WH ALM20171) 230/115/13.2KV TRANSFORMER CKT 1	252	252	0.10233	102.3785	DEAF SMITH COUNTY INTERCHANGE - PLANT X STATION 230KV CKT 1
FDNS	06ALL	2	15SP	G14_047	FROM->TO	PLANT X STATION (WH ALM20171) 230/115/13.2KV TRANSFORMER CKT 1	252	252	0.08599	102.3506	LAMB COUNTY INTERCHANGE (WH ALM20172) 230/115/13.2KV TRANSFORMER CKT 1
FDNS	06ALL	2	15SP	G14_047	FROM->TO	PLANT X STATION (WH ALM20171) 230/115/13.2KV TRANSFORMER CKT 1	252	252	0.08599	102.3469	SPP-SWPS-K37
FDNS	06ALL	2	15SP	G14_047	FROM->TO	PLANT X STATION (WH ALM20171) 230/115/13.2KV TRANSFORMER CKT 1	252	252	0.08599	102.3256	LAMB COUNTY INTERCHANGE - TOLK STATION WEST 230KV CKT 1
FDNS	06ALL	2	15SP	G14_047	FROM->TO	PLANT X STATION (WH ALM20171) 230/115/13.2KV TRANSFORMER CKT 1	252	252	0.10233	99.6	DEAF SMITH COUNTY INTERCHANGE - PLANT X STATION 230KV CKT 1
FDNS	06ALL	2	15SP	G14_047	FROM->TO	PLANT X STATION (WH ALM20171) 230/115/13.2KV TRANSFORMER CKT 1	252	252	0.072	95.6	GEN525493 1-PLANT X GEN #3
FDNS	06ALL	2	15G	G14_047	FROM->TO	TUCO INTERCHANGE - TUCO_2 230.00 230KV CKT 1	319	351	0.19496	114.27	TUCO INTERCHANGE (GE M1022338) 345/230/13.2KV TRANSFORMER CKT 1
FDNS	06ALL	2	15G	G14_047	FROM->TO	TUCO INTERCHANGE - TUCO_2 230.00 230KV CKT 1	319	351	0.18678	114.1018	SPP-SWPS-01
FDNS	06ALL	2	15G	G14_047	FROM->TO	TUCO INTERCHANGE - TUCO_2 230.00 230KV CKT 1	319	351	0.18108	107.1921	TUCO INTERCHANGE (SIEM 8743066) 345/230/13.2KV TRANSFORMER CKT 2
FDNS	06ALL	2	20WP	G14_047	FROM->TO	TUCO INTERCHANGE - TUCO_2 230.00 230KV CKT 1	329	361	0.14585	101.7389	SPP-SWPS-01
FDNS	06ALL	2	20WP	G14_047	FROM->TO	TUCO INTERCHANGE - TUCO_2 230.00 230KV CKT 1	329	361	0.14747	100.0723	TUCO INTERCHANGE (GE M1022338) 345/230/13.2KV TRANSFORMER CKT 1
FDNS	06ALL	2	15G	G14_047	FROM->TO	TUCO INTERCHANGE - TUCO_2 230.00 230KV CKT 1	319	351	0.13715	98.75284	LAWTON EASTSIDE - OKLAUNION 345KV CKT 1
FDNS	06ALL	2	15SP	G14_047	FROM->TO	TUCO INTERCHANGE - TUCO_2 230.00 230KV CKT 1	319	351	0.16761	96.5	TUCO INTERCHANGE - TUCO_2 345.00 345KV CKT 1
FDNS	06ALL	2	15WP	G14_047	FROM->TO	TUCO INTERCHANGE - TUCO_2 230.00 230KV CKT 1	329	361	0.20108	96.4	TUCO INTERCHANGE (GE M1022338) 345/230/13.2KV TRANSFORMER CKT 1
FDNS	06ALL	2	15WP	G14_047	FROM->TO	TUCO INTERCHANGE - TUCO_2 230.00 230KV CKT 1	329	361	0.19249	95.1	SPP-SWPS-01
FDNS	06ALL	3	25SP	G14_047	TO->FROM	CARLSBAD INTERCHANGE - PECOS INTERCHANGE 115KV CKT 1	141	141	0.03552	116.9438	HOBBS - KIOWA 7345.00 345KV CKT 1
FDNS	06ALL	3	15G	G14_047	FROM->TO	CLEARWATER - GILL ENERGY CENTER WEST 138KV CKT 1	143	143	0.03304	100.3353	DBL-THIS-WIC
FDNS	06ALL	3	15G	G14_047	TO->FROM	CLEARWATER - MILAN TAP 138KV CKT 1	110	110	0.03304	139.9081	DBL-THIS-WIC
FDNS	06ALL	3	20WP	G14_047	TO->FROM	CLEARWATER - MILAN TAP 138KV CKT 1	110	110	0.0332	108.5249	DBL-THIS-WIC
FDNS	06ALL	3	15WP	G14_047	TO->FROM	CLEARWATER - MILAN TAP 138KV CKT 1	110	110	0.03328	106.1126	DBL-THIS-WIC

SOLUTION	GROUP	SCENARIO	SEASON	SOURCE	DIRECTION	MONITORED ELEMENT	RATEA (MVA)	RATEB (MVA)	TDF	TC%LOADING (% MVA)	CONTINGENCY
FDNS	06ALL	3	15SP	G14_047	TO->FROM	CLEARWATER - MILAN TAP 138KV CKT 1	110	110	0.03326	99.9	DBL-THIS-WIC
FDNS	06ALL	3	15SP	G14_047	FROM->TO	CURRY COUNTY INTERCHANGE - DEAF SMITH REC-#20 115KV CKT 1	96	96	0.06276	120.7305	DEAF SMITH COUNTY INTERCHANGE - PLANT X STATION 230KV CKT 1
FDNS	06ALL	3	20SP	G14_047	FROM->TO	CURRY COUNTY INTERCHANGE - DEAF SMITH REC-#20 115KV CKT 1	96	96	0.0539	104.6276	DEAF SMITH COUNTY INTERCHANGE - PLANT X STATION 230KV CKT 1
FDNS	06ALL	3	15SP	G14_047	FROM->TO	CURRY COUNTY INTERCHANGE - DEAF SMITH REC-#20 115KV CKT 1	96	96	0.0447	103.3912	LAWTON EASTSIDE - OKLAUNION 345KV CKT 1
FDNS	06ALL	3	15SP	G14_047	TO->FROM	DEAF SMITH COUNTY INTERCHANGE - PLANT X STATION 230KV CKT 1	319	351	0.1975	109.4403	LAWTON EASTSIDE - OKLAUNION 345KV CKT 1
FDNS	06ALL	3	15SP	G14_047	TO->FROM	DEAF SMITH COUNTY INTERCHANGE - PLANT X STATION 230KV CKT 1	319	351	0.21823	96.9	NEWHART 230 - PLANT X STATION 230KV CKT 1
FDNS	06ALL	3	15SP	G14_047	TO->FROM	DEAF SMITH COUNTY INTERCHANGE - PLANT X STATION 230KV CKT 1	319	351	0.19861	96.2	SPP-SWPS-01
FDNS	06ALL	3	15SP	G14_047	TO->FROM	DEAF SMITH COUNTY INTERCHANGE - PLANT X STATION 230KV CKT 1	319	351	0.1975	96	SPSCONT-01
FDNS	06ALL	3	15SP	G14_047	TO->FROM	DEAF SMITH COUNTY INTERCHANGE - PLANT X STATION 230KV CKT 1	319	351	0.1975	95.8	OKLAUNION - TUCO INTERCHANGE 345KV CKT 1
FDNS	06ALL	3	15SP	G14_047	FROM->TO	DEAF SMITH REC-#20 - PARMER COUNTY SUB 115KV CKT 1	96	96	0.06276	107.5483	DEAF SMITH COUNTY INTERCHANGE - PLANT X STATION 230KV CKT 1
FDNS	06ALL	3	15SP	G14_047	TO->FROM	DEAF SMITH REC-#24 - PARMER COUNTY SUB 115KV CKT 1	96	96	0.06276	99.8	DEAF SMITH COUNTY INTERCHANGE - PLANT X STATION 230KV CKT 1
FDNS	06ALL	3	20WP	G14_047	FROM->TO	EDDY_NORTH 6230.00 (WAUK WT01134) 230/115/13.2KV TRANSFORMER CKT 2	250	288	0.17642	103.4582	EDDY COUNTY INTERCHANGE - EDDY_NORTH 6230.00 230KV CKT @1
FDNS	06ALL	3	20WP	G14_047	FROM->TO	EDDY_NORTH 6230.00 (WAUK WT01134) 230/115/13.2KV TRANSFORMER CKT 2	250	288	0.17642	103.0362	EDDY COUNTY INTERCHANGE - EDDY_NORTH 6230.00 230KV CKT @1
FDNS	06ALL	3	25SP	G14_047	FROM->TO	EDDY_NORTH 6230.00 (WAUK WT01134) 230/115/13.2KV TRANSFORMER CKT 2	250	288	0.1773	101.949	EDDY COUNTY INTERCHANGE - EDDY_NORTH 6230.00 230KV CKT @1
FDNS	06ALL	3	25SP	G14_047	FROM->TO	EDDY_NORTH 6230.00 (WAUK WT01134) 230/115/13.2KV TRANSFORMER CKT 2	250	288	0.1773	100.3172	EDDY COUNTY INTERCHANGE - EDDY_NORTH 6230.00 230KV CKT @1
FDNS	06ALL	3	15WP	G14_047	FROM->TO	EDDY_NORTH 6230.00 (WAUK WT01134) 230/115/13.2KV TRANSFORMER CKT 2	250	288	0.14019	96.8	EDDY COUNTY INTERCHANGE - EDDY_NORTH 6230.00 230KV CKT @1
FDNS	06ALL	3	15WP	G14_047	FROM->TO	EDDY_NORTH 6230.00 (WAUK WT01134) 230/115/13.2KV TRANSFORMER CKT 2	250	288	0.14019	96.7	EDDY COUNTY INTERCHANGE - EDDY_NORTH 6230.00 230KV CKT @1
FDNS	06ALL	3	15G	G14_047	FROM->TO	ELK CITY 230KV (ELKCTY-6) 230/138/13.8KV TRANSFORMER CKT 1	287	316	0.11377	106.8002	LAWTON EASTSIDE - OKLAUNION 345KV CKT 1
FDNS	06ALL	3	15G	G14_047	FROM->TO	ELK CITY 230KV (ELKCTY-6) 230/138/13.8KV TRANSFORMER CKT 1	287	316	0.11377	104.9708	LAWTON EASTSIDE - OKLAUNION 345KV CKT 1
FDNS	06ALL	3	15SP	G14_047	FROM->TO	ELK CITY 230KV (ELKCTY-6) 230/138/13.8KV TRANSFORMER CKT 1	272	316	0.1218	100.0238	LAWTON EASTSIDE - OKLAUNION 345KV CKT 1
FDNS	06ALL	3	15WP	G14_047	FROM->TO	ELK CITY 230KV (ELKCTY-6) 230/138/13.8KV TRANSFORMER CKT 1	287	316	0.12529	99.80477	LAWTON EASTSIDE - OKLAUNION 345KV CKT 1
FDNS	06ALL	3	15SP	G14_047	FROM->TO	ELK CITY 230KV (ELKCTY-6) 230/138/13.8KV TRANSFORMER CKT 1	272	316	0.1218	98.58963	LAWTON EASTSIDE - OKLAUNION 345KV CKT 1
FDNS	06ALL	3	15WP	G14_047	FROM->TO	ELK CITY 230KV (ELKCTY-6) 230/138/13.8KV TRANSFORMER CKT 1	287	316	0.12529	98.40416	LAWTON EASTSIDE - OKLAUNION 345KV CKT 1
FDNS	06ALL	3	15G	G14_047	FROM->TO	ELK CITY 230KV (ELKCTY-6) 230/138/13.8KV TRANSFORMER CKT 1	287	316	0.11377	97.5	SPSCONT-01
FDNS	06ALL	3	15G	G14_047	FROM->TO	ELK CITY 230KV (ELKCTY-6) 230/138/13.8KV TRANSFORMER CKT 1	287	316	0.11435	96.7	SPP-SWPS-01
FDNS-CHECK-TC-Iteration Limit Exceeded.	06ALL	3	15G	G14_047	FROM->TO	ELK CITY 230KV (ELKCTY-6) 230/138/13.8KV TRANSFORMER CKT 1	287	316	0.1	96.7	DBL-G1114-WW
FDNS	06ALL	3	15G	G14_047	FROM->TO	ELK CITY 230KV (ELKCTY-6) 230/138/13.8KV TRANSFORMER CKT 1	287	316	0.11377	96.5	SPSCONT-01
FDNS	06ALL	3	15G	G14_047	FROM->TO	ELK CITY 230KV (ELKCTY-6) 230/138/13.8KV TRANSFORMER CKT 1	287	316	0.11377	96.4	OKLAUNION - TUCO INTERCHANGE 345KV CKT 1
FDNS	06ALL	3	15G	G14_047	FROM->TO	ELK CITY 230KV (ELKCTY-6) 230/138/13.8KV TRANSFORMER CKT 1	287	316	0.1	95.6	DBL-BVR-G111
FDNS-CHECK-TC-Iteration Limit Exceeded.	06ALL	3	15G	G14_047	FROM->TO	ELK CITY 230KV (ELKCTY-6) 230/138/13.8KV TRANSFORMER CKT 1	287	316	0.1	95.6	DBL-G1114-WW
FDNS	06ALL	3	15G	G14_047	FROM->TO	ELK CITY 230KV (ELKCTY-6) 230/138/13.8KV TRANSFORMER CKT 1	287	316	0.11435	95.5	SPP-SWPS-01
FDNS	06ALL	3	15G	G14_047	FROM->TO	ELK CITY 230KV (ELKCTY-6) 230/138/13.8KV TRANSFORMER CKT 1	287	316	0.11377	95.3	OKLAUNION - TUCO INTERCHANGE 345KV CKT 1
FDNS	06ALL	3	15SP	G14_047	TO->FROM	FLATRDG3 - THISTLE4 138.00 138KV CKT 1	286	286	0.04791	98.1	DBL-THIS-WIC
FDNS	06ALL	3	15G	G14_047	TO->FROM	FPL SWITCH - WOODWARD 138KV CKT 1	133	153	0.04558	161.139	NORTHWEST - TATONGA7 345.00 345KV CKT 1
FDNS	06ALL	3	15G	G14_047	TO->FROM	FPL SWITCH - WOODWARD 138KV CKT 1	133	153	0.05362	159.4606	DBL-THIS-WWR
FDNS	06ALL	3	15G	G14_047	TO->FROM	FPL SWITCH - WOODWARD 138KV CKT 1	133	153	0.04558	157.7752	SPSCONT-05B
FDNS	06ALL	3	15G	G14_047	TO->FROM	FPL SWITCH - WOODWARD 138KV CKT 1	133	153	0.04558	157.1729	SPSCONT-04
FDNS	06ALL	3	15G	G14_047	TO->FROM	FPL SWITCH - WOODWARD 138KV CKT 1	133	153	0.04303	154.0712	DBL-THIS-WIC
FDNS	06ALL	3	15G	G14_047	TO->FROM	FPL SWITCH - WOODWARD 138KV CKT 1	133	153	0.04686	152.6468	LAWTON EASTSIDE - OKLAUNION 345KV CKT 1
FDNS	06ALL	3	15G	G14_047	TO->FROM	FPL SWITCH - WOODWARD 138KV CKT 1	133	153	0.04558	147.5252	G11_051T 345.00 - TATONGA7 345.00 345KV CKT 1
FDNS	06ALL	3	15G	G14_047	TO->FROM	FPL SWITCH - WOODWARD 138KV CKT 1	133	153	0.04558	146.2378	G11_051T 345.00 - WOODWARD DISTRICT EHV 345KV CKT 1
FDNS	06ALL	3	15G	G14_047	TO->FROM	FPL SWITCH - WOODWARD 138KV CKT 1	133	153	0.0319	143.417	WOODWARD (WOODWRD2) 138/69/13.2KV TRANSFORMER CKT 1
FDNS	06ALL	3	15G	G14_047	TO->FROM	FPL SWITCH - WOODWARD 138KV CKT 1	133	153	0.04558	143.0314	SPSCONT-05AX
FDNS	06ALL	3	15G	G14_047	TO->FROM	FPL SWITCH - WOODWARD 138KV CKT 1	133	153	0.04179	142.1867	ELK CITY 230KV - SWEETWATER 230KV CKT 1
FDNS	06ALL	3	15G	G14_047	TO->FROM	FPL SWITCH - WOODWARD 138KV CKT 1	133	153	0.04179	142.1522	ELK CITY 230KV (ELKCTY-6) 230/138/13.8KV TRANSFORMER CKT 1
FDNS	06ALL	3	15G	G14_047	TO->FROM	FPL SWITCH - WOODWARD 138KV CKT 1	133	153	0.04686	141.5408	SPSCONT-01
FDNS	06ALL	3	15G	G14_047	TO->FROM	FPL SWITCH - WOODWARD 138KV CKT 1	133	153	0.04201	139.7718	SPP-SWPS-03
FDNS	06ALL	3	15G	G14_047	TO->FROM	FPL SWITCH - WOODWARD 138KV CKT 1	133	153	0.04686	139.4068	OKLAUNION - TUCO INTERCHANGE 345KV CKT 1
FDNS	06ALL	3	15G	G14_047	TO->FROM	FPL SWITCH - WOODWARD 138KV CKT 1	133	153	0.04666	139.2189	SPP-SWPS-01
FDNS	06ALL	3	15G	G14_047	TO->FROM	FPL SWITCH - WOODWARD 138KV CKT 1	133	153	0.04179	138.5807	SPP-SWPS-02A
FDNS	06ALL	3	15G	G14_047	TO->FROM	FPL SWITCH - WOODWARD 138KV CKT 1	133	153	0.04179	138.419	GRAPEVINE INTERCHANGE - STATELINE INTERCHANGE 230KV CKT 1
FDNS	06ALL	3	15G	G14_047	TO->FROM	FPL SWITCH - WOODWARD 138KV CKT 1	133	153	0.03391	137.3554	IODINE - WOODWARD EHV 138KV CKT 1
FDNS	06ALL	3	15G	G14_047	TO->FROM	FPL SWITCH - WOODWARD 138KV CKT 1	133	153	0.03391	135.3142	DEWEY - IODINE 138KV CKT 1
FDNS	06ALL	3	15G	G14_047	TO->FROM	FPL SWITCH - WOODWARD 138KV CKT 1	133	153	0.04179	132.9488	STATELINE INTERCHANGE - STLN-DEMARC6 230KV CKT 1
FDNS	06ALL	3	15G	G14_047	TO->FROM	FPL SWITCH - WOODWARD 138KV CKT 1	133	153	0.04179	132.9455	SPP-SWPS-02
FDNS	06ALL	3	15G	G14_047	TO->FROM	FPL SWITCH - WOODWARD 138KV CKT 1	133	153	0.04179	132.9341	STLN-DEMARC6 - SWEETWATER 230KV CKT 1
FDNS	06ALL	3	15G	G14_047	TO->FROM	FPL SWITCH - WOODWARD 138KV CKT 1	133	153	0.03447	130.4008	GRAPEVINE INTERCHANGE - NICHOLS STATION 230KV CKT 1
FDNS	06ALL	3	15G	G14_047	TO->FROM	FPL SWITCH - WOODWARD 138KV CKT 1	133	153	0.0319	130.0269	WOODWARD - WOODWARD 69KV CKT 1
FDNS	06ALL	3	15G	G14_047	TO->FROM	FPL SWITCH - WOODWARD 138KV CKT 1	133	153	0.03466	126.1489	THISTLE7 345.00 - WOODWARD DISTRICT EHV 345KV CKT 1
FDNS	06ALL	3	15G	G14_047	TO->FROM	FPL SWITCH - WOODWARD 138KV CKT 1	133	153	0.03466	126.1489	THISTLE7 345.00 - WOODWARD DISTRICT EHV 345KV CKT 2
FDNS	06ALL	3	15G	G14_047	TO->FROM	FPL SWITCH - WOODWARD 138KV CKT 1	133	153	0.03419	124.4764	FINNEY SWITCHING STATION - HOLCOMB 345KV CKT 1
FDNS	06ALL	3	15G	G14_047	TO->FROM	FPL SWITCH - WOODWARD 138KV CKT 1	133	153	0.03174	124.1911	THISTLE7 345.00 - WICHITA 345KV CKT 1

SOLUTION	GROUP	SCENARIO	SEASON	SOURCE	DIRECTION	MONITORED ELEMENT	RATEA (MVA)	RATEB(MVA)	TC%LOADING TDF	(% MVA)	CONTINGENCY
FDNS	06ALL	3	15G	G14_047	TO->FROM	FPL SWITCH - WOODWARD 138KV CKT 1	133	153	0.03174	124.1911	THISTLE7 345.00 - WICHITA 345KV CKT 2
FDNS	06ALL	3	15G	G14_047	TO->FROM	FPL SWITCH - WOODWARD 138KV CKT 1	133	153	0.03419	123.2348	SPP-SWPS-05
FDNS	06ALL	3	15G	G14_047	TO->FROM	FPL SWITCH - WOODWARD 138KV CKT 1	133	153	0.03419	123.1767	FINNEY SWITCHING STATION - Hitchland Interchange 345KV CKT 1
FDNS	06ALL	3	15G	G14_047	TO->FROM	FPL SWITCH - WOODWARD 138KV CKT 1	133	153	0.03159	120.7358	ELLIS 4 138.00 - RED HILLS WIND 138KV CKT 1
FDNS	06ALL	3	15G	G14_047	TO->FROM	FPL SWITCH - WOODWARD 138KV CKT 1	133	153	0.03159	118.208	ELLIS 4 138.00 - MOREWOOD SW 138KV CKT 1
FDNS	06ALL	3	15SP	G14_047	TO->FROM	FPL SWITCH - WOODWARD 138KV CKT 1	133	153	0.05682	111.727	DBL-THIS-WWR
FDNS	06ALL	3	15G	G14_047	TO->FROM	FPL SWITCH - WOODWARD 138KV CKT 1	133	153	0.03159	106.2134	ELK CITY - RED HILLS WIND 138KV CKT 1
FDNS	06ALL	3	15SP	G14_047	TO->FROM	FPL SWITCH - WOODWARD 138KV CKT 1	133	153	0.04849	105.3474	NORTHWEST - TATONGA7 345.00 345KV CKT 1
FDNS	06ALL	3	15SP	G14_047	TO->FROM	FPL SWITCH - WOODWARD 138KV CKT 1	133	153	0.04981	104.763	LAWTON EASTSIDE - OKLAUNION 345KV CKT 1
FDNS	06ALL	3	15SP	G14_047	TO->FROM	FPL SWITCH - WOODWARD 138KV CKT 1	133	153	0.04849	102.5806	SPSCONT-05B
FDNS	06ALL	3	15SP	G14_047	TO->FROM	FPL SWITCH - WOODWARD 138KV CKT 1	133	153	0.04849	101.4405	SPSCONT-04
FDNS	06ALL	3	15SP	G14_047	TO->FROM	FPL SWITCH - WOODWARD 138KV CKT 1	133	153	0.04593	100.7966	DBL-THIS-WIC
FDNS	06ALL	3	15SP	G14_047	TO->FROM	FPL SWITCH - WOODWARD 138KV CKT 1	133	153	0.03517	97.7	WOODWARD (WOODWRD2) 138/69/13.2KV TRANSFORMER CKT 1
FDNS	06ALL	3	20WP	G14_047	TO->FROM	FPL SWITCH - WOODWARD 138KV CKT 1	171	185	0.05151	96.7	NORTHWEST - TATONGA7 345.00 345KV CKT 1
FDNS	06ALL	3	20WP	G14_047	TO->FROM	FPL SWITCH - WOODWARD 138KV CKT 1	171	185	0.06071	96	DBL-THIS-WWR
FDNS	06ALL	3	15G	G14_047	TO->FROM	GRAPEVINE INTERCHANGE - NICHOLS STATION 230KV CKT 1	319	351	0.1022	104.2251	LAWTON EASTSIDE - OKLAUNION 345KV CKT 1
FDNS	06ALL	3	20WP	G14_047	TO->FROM	GRAPEVINE INTERCHANGE - NICHOLS STATION 230KV CKT 1	329	361	0.13237	102.6177	LAWTON EASTSIDE - OKLAUNION 345KV CKT 1
FDNS	06ALL	3	15SP	G14_047	TO->FROM	GRAPEVINE INTERCHANGE - NICHOLS STATION 230KV CKT 1	319	351	0.10368	99.55151	LAWTON EASTSIDE - OKLAUNION 345KV CKT 1
FDNS	06ALL	3	15G	G14_047	FROM->TO	GRAPEVINE INTERCHANGE - STATELINE INTERCHANGE 230KV CKT 1	319	351	0.11377	96.19302	LAWTON EASTSIDE - OKLAUNION 345KV CKT 1
FDNS	06ALL	3	15G	G14_047	FROM->TO	HARPER - MILAN TAP 138KV CKT 1	138	143	0.03304	116.387	DBL-THIS-WIC
FDNS	06ALL	3	15SP	G14_047	FROM->TO	HARPER - MILAN TAP 138KV CKT 1	127	136	0.03326	104.4151	DBL-THIS-WIC
FDNS	06ALL	3	15WP	G14_047	FROM->TO	HARPER - MILAN TAP 138KV CKT 1	143	143	0.03328	102.7046	DBL-THIS-WIC
FDNS	06ALL	3	15WP	G14_047	TO->FROM	PLANT X STATION - TOLK STATION EAST 230KV CKT 2	557	557	0.42836	99.6	PLANT X STATION - TOLK STATION WEST 230KV CKT 1
FDNS	06ALL	3	20SP	G14_047	TO->FROM	PLANT X STATION - TOLK STATION EAST 230KV CKT 2	478	502	0.38924	96.2	PLANT X STATION - TOLK STATION WEST 230KV CKT 1
FDNS	06ALL	3	20SP	G14_047	TO->FROM	PLANT X STATION - TOLK STATION WEST 230KV CKT 1	478	502	0.39276	97	PLANT X STATION - TOLK STATION EAST 230KV CKT 2
FDNS	06ALL	3	15SP	G14_047	FROM->TO	PLANT X STATION (WH ALM20171) 230/115/13.2KV TRANSFORMER CKT 1	252	252	0.11903	106.8107	NEWHART 230 - PLANT X STATION 230KV CKT 1
FDNS	06ALL	3	15SP	G14_047	FROM->TO	PLANT X STATION (WH ALM20171) 230/115/13.2KV TRANSFORMER CKT 1	252	252	0.08601	104.6633	LAMB COUNTY INTERCHANGE - TOLK STATION WEST 230KV CKT 1
FDNS	06ALL	3	15SP	G14_047	FROM->TO	PLANT X STATION (WH ALM20171) 230/115/13.2KV TRANSFORMER CKT 1	252	252	0.08601	104.6607	LAMB COUNTY INTERCHANGE (WH ALM20172) 230/115/13.2KV TRANSFORMER CKT 1
FDNS	06ALL	3	15SP	G14_047	FROM->TO	PLANT X STATION (WH ALM20171) 230/115/13.2KV TRANSFORMER CKT 1	252	252	0.08601	104.6607	SPP-SWPS-K37
FDNS	06ALL	3	15SP	G14_047	FROM->TO	PLANT X STATION (WH ALM20171) 230/115/13.2KV TRANSFORMER CKT 1	252	252	0.11903	104.1177	NEWHART 230 - PLANT X STATION 230KV CKT 1
FDNS	06ALL	3	15SP	G14_047	FROM->TO	PLANT X STATION (WH ALM20171) 230/115/13.2KV TRANSFORMER CKT 1	252	252	0.10238	102.2408	DEAF SMITH COUNTY INTERCHANGE - PLANT X STATION 230KV CKT 1
FDNS	06ALL	3	15SP	G14_047	FROM->TO	PLANT X STATION (WH ALM20171) 230/115/13.2KV TRANSFORMER CKT 1	252	252	0.08601	102.2229	LAMB COUNTY INTERCHANGE - TOLK STATION WEST 230KV CKT 1
FDNS	06ALL	3	15SP	G14_047	FROM->TO	PLANT X STATION (WH ALM20171) 230/115/13.2KV TRANSFORMER CKT 1	252	252	0.08601	102.2204	LAMB COUNTY INTERCHANGE (WH ALM20172) 230/115/13.2KV TRANSFORMER CKT 1
FDNS	06ALL	3	15SP	G14_047	FROM->TO	PLANT X STATION (WH ALM20171) 230/115/13.2KV TRANSFORMER CKT 1	252	252	0.08601	102.2204	SPP-SWPS-K37
FDNS	06ALL	3	15SP	G14_047	FROM->TO	PLANT X STATION (WH ALM20171) 230/115/13.2KV TRANSFORMER CKT 1	252	252	0.10238	99.5	DEAF SMITH COUNTY INTERCHANGE - PLANT X STATION 230KV CKT 1
FDNS	06ALL	3	15SP	G14_047	FROM->TO	PLANT X STATION (WH ALM20171) 230/115/13.2KV TRANSFORMER CKT 1	252	252	0.07203	95.4	GEN525493 1-PLANT X GEN #3
FDNS	06ALL	4	25SP	G14_047	TO->FROM	CARLSBAD INTERCHANGE - PECOS INTERCHANGE 115KV CKT 1	141	141	0.03552	116.9438	HOBBS - KIOWA 7345.00 345KV CKT 1
FDNS	06ALL	4	15G	G14_047	FROM->TO	CLEARWATER - GILL ENERGY CENTER WEST 138KV CKT 1	143	143	0.03304	100.3353	DBL-THIS-WIC
FDNS	06ALL	4	15G	G14_047	TO->FROM	CLEARWATER - MILAN TAP 138KV CKT 1	110	110	0.03304	139.9081	DBL-THIS-WIC
FDNS	06ALL	4	20WP	G14_047	TO->FROM	CLEARWATER - MILAN TAP 138KV CKT 1	110	110	0.0332	108.5249	DBL-THIS-WIC
FDNS	06ALL	4	15WP	G14_047	TO->FROM	CLEARWATER - MILAN TAP 138KV CKT 1	110	110	0.03328	106.1126	DBL-THIS-WIC
FDNS	06ALL	4	15SP	G14_047	TO->FROM	CLEARWATER - MILAN TAP 138KV CKT 1	110	110	0.03326	99.9	DBL-THIS-WIC
FDNS	06ALL	4	15SP	G14_047	FROM->TO	CURRY COUNTY INTERCHANGE - DEAF SMITH REC-#20 115KV CKT 1	96	96	0.06276	120.7303	DEAF SMITH COUNTY INTERCHANGE - PLANT X STATION 230KV CKT 1
FDNS	06ALL	4	20SP	G14_047	FROM->TO	CURRY COUNTY INTERCHANGE - DEAF SMITH REC-#20 115KV CKT 1	96	96	0.0539	104.6276	DEAF SMITH COUNTY INTERCHANGE - PLANT X STATION 230KV CKT 1
FDNS	06ALL	4	15SP	G14_047	FROM->TO	CURRY COUNTY INTERCHANGE - DEAF SMITH REC-#20 115KV CKT 1	96	96	0.0447	103.3913	LAWTON EASTSIDE - OKLAUNION 345KV CKT 1
FDNS	06ALL	4	15SP	G14_047	TO->FROM	DEAF SMITH COUNTY INTERCHANGE - PLANT X STATION 230KV CKT 1	319	351	0.1975	109.4404	LAWTON EASTSIDE - OKLAUNION 345KV CKT 1
FDNS	06ALL	4	15SP	G14_047	TO->FROM	DEAF SMITH COUNTY INTERCHANGE - PLANT X STATION 230KV CKT 1	319	351	0.21823	96.9	NEWHART 230 - PLANT X STATION 230KV CKT 1
FDNS	06ALL	4	15SP	G14_047	TO->FROM	DEAF SMITH COUNTY INTERCHANGE - PLANT X STATION 230KV CKT 1	319	351	0.19861	96.2	SPP-SWPS-01
FDNS	06ALL	4	15SP	G14_047	TO->FROM	DEAF SMITH COUNTY INTERCHANGE - PLANT X STATION 230KV CKT 1	319	351	0.1975	96	SPSCONT-01
FDNS	06ALL	4	15SP	G14_047	TO->FROM	DEAF SMITH COUNTY INTERCHANGE - PLANT X STATION 230KV CKT 1	319	351	0.1975	95.8	OKLAUNION - TUCO INTERCHANGE 345KV CKT 1
FDNS	06ALL	4	15SP	G14_047	FROM->TO	DEAF SMITH REC-#20 - PARMER COUNTY SUB 115KV CKT 1	96	96	0.06276	107.5483	DEAF SMITH COUNTY INTERCHANGE - PLANT X STATION 230KV CKT 1
FDNS	06ALL	4	15SP	G14_047	TO->FROM	DEAF SMITH REC-#24 - PARMER COUNTY SUB 115KV CKT 1	96	96	0.06276	99.8	DEAF SMITH COUNTY INTERCHANGE - PLANT X STATION 230KV CKT 1
FDNS	06ALL	4	20WP	G14_047	FROM->TO	EDDY_NORTH 6230.00 (WAUK WT01134) 230/115/13.2KV TRANSFORMER CKT 2	250	288	0.17642	103.4582	EDDY COUNTY INTERCHANGE - EDDY_NORTH 6230.00 230KV CKT @1
FDNS	06ALL	4	20WP	G14_047	FROM->TO	EDDY_NORTH 6230.00 (WAUK WT01134) 230/115/13.2KV TRANSFORMER CKT 2	250	288	0.17642	103.0362	EDDY COUNTY INTERCHANGE - EDDY_NORTH 6230.00 230KV CKT @1
FDNS	06ALL	4	25SP	G14_047	FROM->TO	EDDY_NORTH 6230.00 (WAUK WT01134) 230/115/13.2KV TRANSFORMER CKT 2	250	288	0.1773	101.949	EDDY COUNTY INTERCHANGE - EDDY_NORTH 6230.00 230KV CKT @1
FDNS	06ALL	4	25SP	G14_047	FROM->TO	EDDY_NORTH 6230.00 (WAUK WT01134) 230/115/13.2KV TRANSFORMER CKT 2	250	288	0.1773	100.3172	EDDY COUNTY INTERCHANGE - EDDY_NORTH 6230.00 230KV CKT @1
FDNS	06ALL	4	15WP	G14_047	FROM->TO	EDDY_NORTH 6230.00 (WAUK WT01134) 230/115/13.2KV TRANSFORMER CKT 2	250	288	0.14019	96.8	EDDY COUNTY INTERCHANGE - EDDY_NORTH 6230.00 230KV CKT @1
FDNS	06ALL	4	15WP	G14_047	FROM->TO	EDDY_NORTH 6230.00 (WAUK WT01134) 230/115/13.2KV TRANSFORMER CKT 2	250	288	0.14019	96.7	EDDY COUNTY INTERCHANGE - EDDY_NORTH 6230.00 230KV CKT @1
FDNS	06ALL	4	15G	G14_047	FROM->TO	ELK CITY 230KV (ELKCTY-6) 230/138/13.8KV TRANSFORMER CKT 1	287	316	0.11377	106.8002	LAWTON EASTSIDE - OKLAUNION 345KV CKT 1
FDNS	06ALL	4	15G	G14_047	FROM->TO	ELK CITY 230KV (ELKCTY-6) 230/138/13.8KV TRANSFORMER CKT 1	287	316	0.11377	104.9708	LAWTON EASTSIDE - OKLAUNION 345KV CKT 1
FDNS	06ALL	4	15SP	G14_047	FROM->TO	ELK CITY 230KV (ELKCTY-6) 230/138/13.8KV TRANSFORMER CKT 1	272	316	0.1218	100.0245	LAWTON EASTSIDE - OKLAUNION 345KV CKT 1
FDNS	06ALL	4	15WP	G14_047	FROM->TO	ELK CITY 230KV (ELKCTY-6) 230/138/13.8KV TRANSFORMER CKT 1	287	316	0.12529	99.80477	LAWTON EASTSIDE - OKLAUNION 345KV CKT 1
FDNS	06ALL	4	15SP	G14_047	FROM->TO	ELK CITY 230KV (ELKCTY-6) 230/138/13.8KV TRANSFORMER CKT 1	272	316	0.1218	98.59045	LAWTON EASTSIDE - OKLAUNION 345KV CKT 1
FDNS	06ALL	4	15WP	G14_047	FROM->TO	ELK CITY 230KV (ELKCTY-6) 230/138/13.8KV TRANSFORMER CKT 1	287	316	0.12529	98.40416	LAWTON EASTSIDE - OKLAUNION 345KV CKT 1
FDNS	06ALL	4	15G	G14_047	FROM->TO	ELK CITY 230KV (ELKCTY-6) 230/138/13.8KV TRANSFORMER CKT 1	287	316	0.11377	97.5	SPSCONT-01
FDNS	06ALL	4	15G	G14_047	FROM->TO	ELK CITY 230KV (ELKCTY-6) 230/138/13.8KV TRANSFORMER CKT 1	287	316	0.11435	96.7	SPP-SWPS-01
FDNS-CHECK-TC-Iteration Limit Exceeded.	06ALL	4	15G	G14_047	FROM->TO	ELK CITY 230KV (ELKCTY-6) 230/138/13.8KV TRANSFORMER CKT 1	287	316	0.1	96.7	DBL-G1114-WW

SOLUTION	GROUP	SCENARIO	SEASON	SOURCE	DIRECTION	MONITORED ELEMENT	RATEA (MVA)	RATEB (MVA)	TDF	TC%LOADING (% MVA)	CONTINGENCY
FDNS	06ALL	4	15G	G14_047	FROM->TO	ELK CITY 230KV (ELKCTY-6) 230/138/13.8KV TRANSFORMER CKT 1	287	316	0.11377	96.5	SPSCONT-01
FDNS	06ALL	4	15G	G14_047	FROM->TO	ELK CITY 230KV (ELKCTY-6) 230/138/13.8KV TRANSFORMER CKT 1	287	316	0.11377	96.4	OKLAUNION - TUCO INTERCHANGE 345KV CKT 1
FDNS	06ALL	4	15G	G14_047	FROM->TO	ELK CITY 230KV (ELKCTY-6) 230/138/13.8KV TRANSFORMER CKT 1	287	316	0.1	95.6	DBL-BVR-G111
FDNS-CHECK-TC-Iteration Limit Exceeded.	06ALL	4	15G	G14_047	FROM->TO	ELK CITY 230KV (ELKCTY-6) 230/138/13.8KV TRANSFORMER CKT 1	287	316	0.1	95.6	DBL-G1114-WW
FDNS	06ALL	4	15G	G14_047	FROM->TO	ELK CITY 230KV (ELKCTY-6) 230/138/13.8KV TRANSFORMER CKT 1	287	316	0.11435	95.5	SPP-SWPS-01
FDNS	06ALL	4	15G	G14_047	FROM->TO	ELK CITY 230KV (ELKCTY-6) 230/138/13.8KV TRANSFORMER CKT 1	287	316	0.11377	95.3	OKLAUNION - TUCO INTERCHANGE 345KV CKT 1
FDNS	06ALL	4	15SP	G14_047	TO->FROM	FLATRDG3 - THISTLE4 138.00 138KV CKT 1	286	286	0.04791	98.1	DBL-THIS-WIC
FDNS	06ALL	4	15G	G14_047	TO->FROM	FPL SWITCH - WOODWARD 138KV CKT 1	133	153	0.04558	161.139	NORTHWEST - TATONGA7 345.00 345KV CKT 1
FDNS	06ALL	4	15G	G14_047	TO->FROM	FPL SWITCH - WOODWARD 138KV CKT 1	133	153	0.05362	159.4606	DBL-THIS-WWR
FDNS	06ALL	4	15G	G14_047	TO->FROM	FPL SWITCH - WOODWARD 138KV CKT 1	133	153	0.04558	157.7752	SPSCONT-05B
FDNS	06ALL	4	15G	G14_047	TO->FROM	FPL SWITCH - WOODWARD 138KV CKT 1	133	153	0.04558	157.1729	SPSCONT-04
FDNS	06ALL	4	15G	G14_047	TO->FROM	FPL SWITCH - WOODWARD 138KV CKT 1	133	153	0.04303	154.0712	DBL-THIS-WIC
FDNS	06ALL	4	15G	G14_047	TO->FROM	FPL SWITCH - WOODWARD 138KV CKT 1	133	153	0.04686	152.6468	LAWTON EASTSIDE - OKLAUNION 345KV CKT 1
FDNS	06ALL	4	15G	G14_047	TO->FROM	FPL SWITCH - WOODWARD 138KV CKT 1	133	153	0.04558	147.5252	G11_051T 345.00 - TATONGA7 345.00 345KV CKT 1
FDNS	06ALL	4	15G	G14_047	TO->FROM	FPL SWITCH - WOODWARD 138KV CKT 1	133	153	0.04558	146.2378	G11_051T 345.00 - WOODWARD DISTRICT EHV 345KV CKT 1
FDNS	06ALL	4	15G	G14_047	TO->FROM	FPL SWITCH - WOODWARD 138KV CKT 1	133	153	0.0319	143.417	WOODWARD (WOODWRD2) 138/69/13.2KV TRANSFORMER CKT 1
FDNS	06ALL	4	15G	G14_047	TO->FROM	FPL SWITCH - WOODWARD 138KV CKT 1	133	153	0.04558	143.0315	SPSCONT-05AX
FDNS	06ALL	4	15G	G14_047	TO->FROM	FPL SWITCH - WOODWARD 138KV CKT 1	133	153	0.04179	142.1867	ELK CITY 230KV - SWEETWATER 230KV CKT 1
FDNS	06ALL	4	15G	G14_047	TO->FROM	FPL SWITCH - WOODWARD 138KV CKT 1	133	153	0.04179	142.1522	ELK CITY 230KV (ELKCTY-6) 230/138/13.8KV TRANSFORMER CKT 1
FDNS	06ALL	4	15G	G14_047	TO->FROM	FPL SWITCH - WOODWARD 138KV CKT 1	133	153	0.04686	141.5408	SPSCONT-01
FDNS	06ALL	4	15G	G14_047	TO->FROM	FPL SWITCH - WOODWARD 138KV CKT 1	133	153	0.04201	139.7718	SPP-SWPS-03
FDNS	06ALL	4	15G	G14_047	TO->FROM	FPL SWITCH - WOODWARD 138KV CKT 1	133	153	0.04686	139.4068	OKLAUNION - TUCO INTERCHANGE 345KV CKT 1
FDNS	06ALL	4	15G	G14_047	TO->FROM	FPL SWITCH - WOODWARD 138KV CKT 1	133	153	0.04666	139.2189	SPP-SWPS-01
FDNS	06ALL	4	15G	G14_047	TO->FROM	FPL SWITCH - WOODWARD 138KV CKT 1	133	153	0.04179	138.5807	SPP-SWPS-02A
FDNS	06ALL	4	15G	G14_047	TO->FROM	FPL SWITCH - WOODWARD 138KV CKT 1	133	153	0.04179	138.419	GRAPEVINE INTERCHANGE - STATELINE INTERCHANGE 230KV CKT 1
FDNS	06ALL	4	15G	G14_047	TO->FROM	FPL SWITCH - WOODWARD 138KV CKT 1	133	153	0.03391	137.3554	IODINE - WOODWARD EHV 138KV CKT 1
FDNS	06ALL	4	15G	G14_047	TO->FROM	FPL SWITCH - WOODWARD 138KV CKT 1	133	153	0.03391	135.3142	DEWEY - IODINE 138KV CKT 1
FDNS	06ALL	4	15G	G14_047	TO->FROM	FPL SWITCH - WOODWARD 138KV CKT 1	133	153	0.04179	132.9488	STATELINE INTERCHANGE - STLN-DEMARC6 230KV CKT 1
FDNS	06ALL	4	15G	G14_047	TO->FROM	FPL SWITCH - WOODWARD 138KV CKT 1	133	153	0.04179	132.9455	SPP-SWPS-02
FDNS	06ALL	4	15G	G14_047	TO->FROM	FPL SWITCH - WOODWARD 138KV CKT 1	133	153	0.04179	132.9341	STLN-DEMARC6 - SWEETWATER 230KV CKT 1
FDNS	06ALL	4	15G	G14_047	TO->FROM	FPL SWITCH - WOODWARD 138KV CKT 1	133	153	0.03447	130.4008	GRAPEVINE INTERCHANGE - NICHOLS STATION 230KV CKT 1
FDNS	06ALL	4	15G	G14_047	TO->FROM	FPL SWITCH - WOODWARD 138KV CKT 1	133	153	0.0319	130.0269	WOODWARD - WOODWARD 69KV CKT 1
FDNS	06ALL	4	15G	G14_047	TO->FROM	FPL SWITCH - WOODWARD 138KV CKT 1	133	153	0.03466	126.1489	THISTLE7 345.00 - WOODWARD DISTRICT EHV 345KV CKT 1
FDNS	06ALL	4	15G	G14_047	TO->FROM	FPL SWITCH - WOODWARD 138KV CKT 1	133	153	0.03466	126.1489	THISTLE7 345.00 - WOODWARD DISTRICT EHV 345KV CKT 2
FDNS	06ALL	4	15G	G14_047	TO->FROM	FPL SWITCH - WOODWARD 138KV CKT 1	133	153	0.03419	124.4764	FINNEY SWITCHING STATION - HOLCOMB 345KV CKT 1
FDNS	06ALL	4	15G	G14_047	TO->FROM	FPL SWITCH - WOODWARD 138KV CKT 1	133	153	0.03174	124.1911	THISTLE7 345.00 - WICHITA 345KV CKT 1
FDNS	06ALL	4	15G	G14_047	TO->FROM	FPL SWITCH - WOODWARD 138KV CKT 1	133	153	0.03174	124.1911	THISTLE7 345.00 - WICHITA 345KV CKT 2
FDNS	06ALL	4	15G	G14_047	TO->FROM	FPL SWITCH - WOODWARD 138KV CKT 1	133	153	0.03419	123.2349	SPP-SWPS-05
FDNS	06ALL	4	15G	G14_047	TO->FROM	FPL SWITCH - WOODWARD 138KV CKT 1	133	153	0.03419	123.1767	FINNEY SWITCHING STATION - Hitchland Interchange 345KV CKT 1
FDNS	06ALL	4	15G	G14_047	TO->FROM	FPL SWITCH - WOODWARD 138KV CKT 1	133	153	0.03159	120.7359	ELLIS 4 138.00 - RED HILLS WIND 138KV CKT 1
FDNS	06ALL	4	15G	G14_047	TO->FROM	FPL SWITCH - WOODWARD 138KV CKT 1	133	153	0.03159	118.208	ELLIS 4 138.00 - MOREWOOD SW 138KV CKT 1
FDNS	06ALL	4	15SP	G14_047	TO->FROM	FPL SWITCH - WOODWARD 138KV CKT 1	133	153	0.05682	111.727	DBL-THIS-WWR
FDNS	06ALL	4	15G	G14_047	TO->FROM	FPL SWITCH - WOODWARD 138KV CKT 1	133	153	0.03159	106.2134	ELK CITY - RED HILLS WIND 138KV CKT 1
FDNS	06ALL	4	15SP	G14_047	TO->FROM	FPL SWITCH - WOODWARD 138KV CKT 1	133	153	0.04849	105.3474	NORTHWEST - TATONGA7 345.00 345KV CKT 1
FDNS	06ALL	4	15SP	G14_047	TO->FROM	FPL SWITCH - WOODWARD 138KV CKT 1	133	153	0.04981	104.7642	LAWTON EASTSIDE - OKLAUNION 345KV CKT 1
FDNS	06ALL	4	15SP	G14_047	TO->FROM	FPL SWITCH - WOODWARD 138KV CKT 1	133	153	0.04849	102.5806	SPSCONT-05B
FDNS	06ALL	4	15SP	G14_047	TO->FROM	FPL SWITCH - WOODWARD 138KV CKT 1	133	153	0.04849	101.4405	SPSCONT-04
FDNS	06ALL	4	15SP	G14_047	TO->FROM	FPL SWITCH - WOODWARD 138KV CKT 1	133	153	0.04593	100.7966	DBL-THIS-WIC
FDNS	06ALL	4	15SP	G14_047	TO->FROM	FPL SWITCH - WOODWARD 138KV CKT 1	133	153	0.03517	97.7	WOODWARD (WOODWRD2) 138/69/13.2KV TRANSFORMER CKT 1
FDNS	06ALL	4	20WP	G14_047	TO->FROM	FPL SWITCH - WOODWARD 138KV CKT 1	171	185	0.05151	96.7	NORTHWEST - TATONGA7 345.00 345KV CKT 1
FDNS	06ALL	4	20WP	G14_047	TO->FROM	FPL SWITCH - WOODWARD 138KV CKT 1	171	185	0.06071	96	DBL-THIS-WWR
FDNS	06ALL	4	15G	G14_047	TO->FROM	GRAPEVINE INTERCHANGE - NICHOLS STATION 230KV CKT 1	319	351	0.1022	104.2251	LAWTON EASTSIDE - OKLAUNION 345KV CKT 1
FDNS	06ALL	4	20WP	G14_047	TO->FROM	GRAPEVINE INTERCHANGE - NICHOLS STATION 230KV CKT 1	329	361	0.13237	102.6177	LAWTON EASTSIDE - OKLAUNION 345KV CKT 1
FDNS	06ALL	4	15SP	G14_047	TO->FROM	GRAPEVINE INTERCHANGE - NICHOLS STATION 230KV CKT 1	319	351	0.10368	99.55219	LAWTON EASTSIDE - OKLAUNION 345KV CKT 1
FDNS	06ALL	4	15G	G14_047	FROM->TO	GRAPEVINE INTERCHANGE - STATELINE INTERCHANGE 230KV CKT 1	319	351	0.11377	96.19302	LAWTON EASTSIDE - OKLAUNION 345KV CKT 1
FDNS	06ALL	4	15G	G14_047	FROM->TO	HARPER - MILAN TAP 138KV CKT 1	138	143	0.03304	116.387	DBL-THIS-WIC
FDNS	06ALL	4	15SP	G14_047	FROM->TO	HARPER - MILAN TAP 138KV CKT 1	127	136	0.03326	104.4151	DBL-THIS-WIC
FDNS	06ALL	4	15WP	G14_047	FROM->TO	HARPER - MILAN TAP 138KV CKT 1	143	143	0.03328	102.7046	DBL-THIS-WIC
FDNS	06ALL	4	15SP	G14_047	FROM->TO	PLANT X STATION (WH ALM20171) 230/115/13.2KV TRANSFORMER CKT 1	252	252	0.11903	106.8107	NEWHART 230 - PLANT X STATION 230KV CKT 1
FDNS	06ALL	4	15SP	G14_047	FROM->TO	PLANT X STATION (WH ALM20171) 230/115/13.2KV TRANSFORMER CKT 1	252	252	0.08601	104.6633	LAMB COUNTY INTERCHANGE - TOLK STATION WEST 230KV CKT 1
FDNS	06ALL	4	15SP	G14_047	FROM->TO	PLANT X STATION (WH ALM20171) 230/115/13.2KV TRANSFORMER CKT 1	252	252	0.08601	104.6607	LAMB COUNTY INTERCHANGE (WH ALM20172) 230/115/13.2KV TRANSFORMER CKT 1
FDNS	06ALL	4	15SP	G14_047	FROM->TO	PLANT X STATION (WH ALM20171) 230/115/13.2KV TRANSFORMER CKT 1	252	252	0.08601	104.6607	SPP-SWPS-K37
FDNS	06ALL	4	15SP	G14_047	FROM->TO	PLANT X STATION (WH ALM20171) 230/115/13.2KV TRANSFORMER CKT 1	252	252	0.11903	104.1177	NEWHART 230 - PLANT X STATION 230KV CKT 1
FDNS	06ALL	4	15SP	G14_047	FROM->TO	PLANT X STATION (WH ALM20171) 230/115/13.2KV TRANSFORMER CKT 1	252	252	0.10238	102.241	DEAF SMITH COUNTY INTERCHANGE - PLANT X STATION 230KV CKT 1
FDNS	06ALL	4	15SP	G14_047	FROM->TO	PLANT X STATION (WH ALM20171) 230/115/13.2KV TRANSFORMER CKT 1	252	252	0.08601	102.223	LAMB COUNTY INTERCHANGE - TOLK STATION WEST 230KV CKT 1
FDNS	06ALL	4	15SP	G14_047	FROM->TO	PLANT X STATION (WH ALM20171) 230/115/13.2KV TRANSFORMER CKT 1	252	252	0.08601	102.2204	LAMB COUNTY INTERCHANGE (WH ALM20172) 230/115/13.2KV TRANSFORMER CKT 1
FDNS	06ALL	4	15SP	G14_047	FROM->TO	PLANT X STATION (WH ALM20171) 230/115/13.2KV TRANSFORMER CKT 1	252	252	0.08601	102.2204	SPP-SWPS-K37

SOLUTION	GROUP	SCENARIO	SEASON	SOURCE	DIRECTION	MONITORED ELEMENT	RATEA (MVA)	RATEB (MVA)	TDF	TC%LOADING (% MVA)	CONTINGENCY
FDNS	06ALL	4	15SP	G14_047	FROM->TO	PLANT X STATION (WH ALM20171) 230/115/13.2KV TRANSFORMER CKT 1	252	252	0.10238	99.5	DEAF SMITH COUNTY INTERCHANGE - PLANT X STATION 230KV CKT 1
FDNS	06ALL	4	15SP	G14_047	FROM->TO	PLANT X STATION (WH ALM20171) 230/115/13.2KV TRANSFORMER CKT 1	252	252	0.07203	95.4	GEN525493 1-PLANT X GEN #3
FDNS	06ALL	0	25SP	G14_053	FROM->TO	CARLISLE INTERCHANGE (WH XHS70711) 230/115/13.2KV TRANSFORMER CKT 1	168	168	0.10652	112.7927	ALLEN SUB - LUBBOCK SOUTH INTERCHANGE 115KV CKT 1
FDNS	06ALL	0	25SP	G14_053	FROM->TO	CARLISLE INTERCHANGE (WH XHS70711) 230/115/13.2KV TRANSFORMER CKT 1	168	168	0.12688	109.814	WOLFFORTH INTERCHANGE (WH 7001668) 230/115/13.2KV TRANSFORMER CKT 1
FDNS	06ALL	0	25SP	G14_053	FROM->TO	CARLISLE INTERCHANGE (WH XHS70711) 230/115/13.2KV TRANSFORMER CKT 1	168	168	0.10652	109.1663	ALLEN SUB - LUBBOCK SOUTH INTERCHANGE 115KV CKT 1
FDNS	06ALL	0	25SP	G14_053	FROM->TO	CARLISLE INTERCHANGE (WH XHS70711) 230/115/13.2KV TRANSFORMER CKT 1	168	168	0.12688	104.8279	WOLFFORTH INTERCHANGE (WH 7001668) 230/115/13.2KV TRANSFORMER CKT 1
FDNS	06ALL	0	20SP	G14_053	FROM->TO	CARLISLE INTERCHANGE (WH XHS70711) 230/115/13.2KV TRANSFORMER CKT 1	168	168	0.10655	99.5	ALLEN SUB - LUBBOCK SOUTH INTERCHANGE 115KV CKT 1
FDNS	06ALL	0	25SP	G14_053	FROM->TO	CARLISLE INTERCHANGE (WH XHS70711) 230/115/13.2KV TRANSFORMER CKT 1	168	168	0.10652	98.1	ALLEN SUB - SOUTH PLAINS REC-QUAKER 115KV CKT 1
FDNS	06ALL	0	20SP	G14_053	FROM->TO	CARLISLE INTERCHANGE (WH XHS70711) 230/115/13.2KV TRANSFORMER CKT 1	168	168	0.10655	97.3	ALLEN SUB - LUBBOCK SOUTH INTERCHANGE 115KV CKT 1
FDNS	06ALL	0	25SP	G14_053	FROM->TO	CARLISLE INTERCHANGE (WH XHS70711) 230/115/13.2KV TRANSFORMER CKT 1	168	168	0.09316	97.3	STANTON SUB - TUCO INTERCHANGE 115KV CKT 1
FDNS	06ALL	0	20SP	G14_053	FROM->TO	CARLISLE INTERCHANGE (WH XHS70711) 230/115/13.2KV TRANSFORMER CKT 1	168	168	0.12693	95.9	WOLFFORTH INTERCHANGE (WH 7001668) 230/115/13.2KV TRANSFORMER CKT 1
FDNS	06ALL	0	25SP	G14_053	FROM->TO	CARLISLE INTERCHANGE (WH XHS70711) 230/115/13.2KV TRANSFORMER CKT 1	168	168	0.10652	95.9	ALLEN SUB - SOUTH PLAINS REC-QUAKER 115KV CKT 1
FDNS	06ALL	0	15G	G14_053	FROM->TO	CLEARWATER - GILL ENERGY CENTER WEST 138KV CKT 1	143	143	0.03166	100.5453	DBL-THIS-WIC
FDNS	06ALL	0	15G	G14_053	TO->FROM	CLEARWATER - MILAN TAP 138KV CKT 1	110	110	0.03166	140.1877	DBL-THIS-WIC
FDNS	06ALL	0	20WP	G14_053	TO->FROM	CLEARWATER - MILAN TAP 138KV CKT 1	110	110	0.03245	108.6601	DBL-THIS-WIC
FDNS	06ALL	0	15WP	G14_053	TO->FROM	CLEARWATER - MILAN TAP 138KV CKT 1	110	110	0.03192	106.268	DBL-THIS-WIC
FDNS	06ALL	0	15SP	G14_053	TO->FROM	CLEARWATER - MILAN TAP 138KV CKT 1	110	110	0.03191	100.0707	DBL-THIS-WIC
FDNS	06ALL	0	20SP	G14_053	FROM->TO	CURRY COUNTY INTERCHANGE - DEAF SMITH REC-#20 115KV CKT 1	96	96	0.03088	106.7874	DEAF SMITH COUNTY INTERCHANGE - PLANT X STATION 230KV CKT 1
FDNS	06ALL	0	25SP	G14_053	FROM->TO	CURRY COUNTY INTERCHANGE - DEAF SMITH REC-#20 115KV CKT 1	96	96	0.03129	95.6	DEAF SMITH COUNTY INTERCHANGE - PLANT X STATION 230KV CKT 1
FDNS	06ALL	0	15SP	G14_053	TO->FROM	DEAF SMITH COUNTY INTERCHANGE - PLANT X STATION 230KV CKT 1	319	351	0.12673	109.7585	LAWTON EASTSIDE - OKLAUNION 345KV CKT 1
FDNS	06ALL	0	15SP	G14_053	TO->FROM	DEAF SMITH COUNTY INTERCHANGE - PLANT X STATION 230KV CKT 1	319	351	0.10215	97.5	NEWHART 230 - PLANT X STATION 230KV CKT 1
FDNS	06ALL	0	15SP	G14_053	TO->FROM	DEAF SMITH COUNTY INTERCHANGE - PLANT X STATION 230KV CKT 1	319	351	0.1298	96.9	SPP-SWPS-01
FDNS	06ALL	0	15SP	G14_053	TO->FROM	DEAF SMITH COUNTY INTERCHANGE - PLANT X STATION 230KV CKT 1	319	351	0.12673	96.3	SPSCONT-01
FDNS	06ALL	0	15SP	G14_053	TO->FROM	DEAF SMITH COUNTY INTERCHANGE - PLANT X STATION 230KV CKT 1	319	351	0.12673	96.1	OKLAUNION - TUCO INTERCHANGE 345KV CKT 1
FDNS	06ALL	0	15G	G14_053	FROM->TO	ELK CITY 230KV (ELKCTY-6) 230/138/13.8KV TRANSFORMER CKT 1	287	316	0.10493	107.0627	LAWTON EASTSIDE - OKLAUNION 345KV CKT 1
FDNS	06ALL	0	15G	G14_053	FROM->TO	ELK CITY 230KV (ELKCTY-6) 230/138/13.8KV TRANSFORMER CKT 1	287	316	0.10493	105.2129	LAWTON EASTSIDE - OKLAUNION 345KV CKT 1
FDNS	06ALL	0	15SP	G14_053	FROM->TO	ELK CITY 230KV (ELKCTY-6) 230/138/13.8KV TRANSFORMER CKT 1	272	316	0.11261	100.158	LAWTON EASTSIDE - OKLAUNION 345KV CKT 1
FDNS	06ALL	0	15WP	G14_053	FROM->TO	ELK CITY 230KV (ELKCTY-6) 230/138/13.8KV TRANSFORMER CKT 1	287	316	0.11607	100.0101	LAWTON EASTSIDE - OKLAUNION 345KV CKT 1
FDNS	06ALL	0	15SP	G14_053	FROM->TO	ELK CITY 230KV (ELKCTY-6) 230/138/13.8KV TRANSFORMER CKT 1	272	316	0.11261	98.72061	LAWTON EASTSIDE - OKLAUNION 345KV CKT 1
FDNS	06ALL	0	15WP	G14_053	FROM->TO	ELK CITY 230KV (ELKCTY-6) 230/138/13.8KV TRANSFORMER CKT 1	287	316	0.11607	98.59541	LAWTON EASTSIDE - OKLAUNION 345KV CKT 1
FDNS	06ALL	0	15G	G14_053	FROM->TO	ELK CITY 230KV (ELKCTY-6) 230/138/13.8KV TRANSFORMER CKT 1	287	316	0.08046	98.1	DBL-G1114-WW
FDNS	06ALL	0	15G	G14_053	FROM->TO	ELK CITY 230KV (ELKCTY-6) 230/138/13.8KV TRANSFORMER CKT 1	287	316	0.10493	97.8	SPSCONT-01
FDNS	06ALL	0	15G	G14_053	FROM->TO	ELK CITY 230KV (ELKCTY-6) 230/138/13.8KV TRANSFORMER CKT 1	287	316	0.10702	97.7	SPP-SWPS-01
FDNS	06ALL	0	15G	G14_053	FROM->TO	ELK CITY 230KV (ELKCTY-6) 230/138/13.8KV TRANSFORMER CKT 1	287	316	0.08046	96.9	DBL-BVR-G111
FDNS	06ALL	0	15G	G14_053	FROM->TO	ELK CITY 230KV (ELKCTY-6) 230/138/13.8KV TRANSFORMER CKT 1	287	316	0.08046	96.8	DBL-G1114-WW
FDNS	06ALL	0	15G	G14_053	FROM->TO	ELK CITY 230KV (ELKCTY-6) 230/138/13.8KV TRANSFORMER CKT 1	287	316	0.10493	96.7	SPSCONT-01
FDNS	06ALL	0	15G	G14_053	FROM->TO	ELK CITY 230KV (ELKCTY-6) 230/138/13.8KV TRANSFORMER CKT 1	287	316	0.10702	96.6	SPP-SWPS-01
FDNS	06ALL	0	15G	G14_053	FROM->TO	ELK CITY 230KV (ELKCTY-6) 230/138/13.8KV TRANSFORMER CKT 1	287	316	0.10493	96.5	OKLAUNION - TUCO INTERCHANGE 345KV CKT 1
FDNS	06ALL	0	15G	G14_053	FROM->TO	ELK CITY 230KV (ELKCTY-6) 230/138/13.8KV TRANSFORMER CKT 1	287	316	0.08046	95.7	DBL-BVR-G111
FDNS	06ALL	0	15G	G14_053	FROM->TO	ELK CITY 230KV (ELKCTY-6) 230/138/13.8KV TRANSFORMER CKT 1	287	316	0.10493	95.3	OKLAUNION - TUCO INTERCHANGE 345KV CKT 1
FDNS	06ALL	0	15SP	G14_053	TO->FROM	FLATRDG3 - THISTLE4 138.00 138KV CKT 1	286	286	0.0466	98.2	DBL-THIS-WIC
FDNS	06ALL	0	15G	G14_053	TO->FROM	FPL SWITCH - WOODWARD 138KV CKT 1	133	153	0.04443	161.177	NORTHWEST - TATONGA7 345.00 345KV CKT 1
FDNS	06ALL	0	15G	G14_053	TO->FROM	FPL SWITCH - WOODWARD 138KV CKT 1	133	153	0.05334	159.4244	DBL-THIS-WWR
FDNS	06ALL	0	15G	G14_053	TO->FROM	FPL SWITCH - WOODWARD 138KV CKT 1	133	153	0.04443	157.7992	SPSCONT-05B
FDNS	06ALL	0	15G	G14_053	TO->FROM	FPL SWITCH - WOODWARD 138KV CKT 1	133	153	0.04443	157.271	SPSCONT-04
FDNS	06ALL	0	15G	G14_053	TO->FROM	FPL SWITCH - WOODWARD 138KV CKT 1	133	153	0.04224	154.1519	DBL-THIS-WIC
FDNS	06ALL	0	15G	G14_053	TO->FROM	FPL SWITCH - WOODWARD 138KV CKT 1	133	153	0.04978	152.6111	LAWTON EASTSIDE - OKLAUNION 345KV CKT 1
FDNSLock	06ALL	0	15G	G14_053	TO->FROM	FPL SWITCH - WOODWARD 138KV CKT 1	133	153	0.04443	147.3779	G11_051T 345.00 - TATONGA7 345.00 345KV CKT 1
FDNS	06ALL	0	15G	G14_053	TO->FROM	FPL SWITCH - WOODWARD 138KV CKT 1	133	153	0.04443	146.4061	G11_051T 345.00 - WOODWARD DISTRICT EHV 345KV CKT 1
FDNS	06ALL	0	15G	G14_053	TO->FROM	FPL SWITCH - WOODWARD 138KV CKT 1	133	153	0.03162	143.416	WOODWARD (WOODWRD2) 138/69/13.2KV TRANSFORMER CKT 1
FDNS	06ALL	0	15G	G14_053	TO->FROM	FPL SWITCH - WOODWARD 138KV CKT 1	133	153	0.04443	143.1258	SPSCONT-05AX
FDNS	06ALL	0	15G	G14_053	TO->FROM	FPL SWITCH - WOODWARD 138KV CKT 1	133	153	0.03913	142.5155	ELK CITY 230KV - SWEETWATER 230KV CKT 1
FDNS	06ALL	0	15G	G14_053	TO->FROM	FPL SWITCH - WOODWARD 138KV CKT 1	133	153	0.03913	142.4842	ELK CITY 230KV (ELKCTY-6) 230/138/13.8KV TRANSFORMER CKT 1
FDNS	06ALL	0	15G	G14_053	TO->FROM	FPL SWITCH - WOODWARD 138KV CKT 1	133	153	0.04978	141.4059	SPSCONT-01
FDNS	06ALL	0	15G	G14_053	TO->FROM	FPL SWITCH - WOODWARD 138KV CKT 1	133	153	0.03931	140.0428	SPP-SWPS-03
FDNS	06ALL	0	15G	G14_053	TO->FROM	FPL SWITCH - WOODWARD 138KV CKT 1	133	153	0.04978	139.1883	OKLAUNION - TUCO INTERCHANGE 345KV CKT 1
FDNS	06ALL	0	15G	G14_053	TO->FROM	FPL SWITCH - WOODWARD 138KV CKT 1	133	153	0.03913	138.8333	SPP-SWPS-02A
FDNS	06ALL	0	15G	G14_053	TO->FROM	FPL SWITCH - WOODWARD 138KV CKT 1	133	153	0.03913	138.6923	GRAPEVINE INTERCHANGE - STATELINE INTERCHANGE 230KV CKT 1
FDNS	06ALL	0	15G	G14_053	TO->FROM	FPL SWITCH - WOODWARD 138KV CKT 1	133	153	0.04908	138.6877	SPP-SWPS-01
FDNS	06ALL	0	15G	G14_053	TO->FROM	FPL SWITCH - WOODWARD 138KV CKT 1	133	153	0.03346	137.3732	IODINE - WOODWARD EHV 138KV CKT 1
FDNS	06ALL	0	15G	G14_053	TO->FROM	FPL SWITCH - WOODWARD 138KV CKT 1	133	153	0.03346	135.335	DEWEY - IODINE 138KV CKT 1
FDNS	06ALL	0	15G	G14_053	TO->FROM	FPL SWITCH - WOODWARD 138KV CKT 1	133	153	0.03913	133.3058	STATELINE INTERCHANGE - STLN-DEMARC6 230KV CKT 1
FDNS	06ALL	0	15G	G14_053	TO->FROM	FPL SWITCH - WOODWARD 138KV CKT 1	133	153	0.03913	133.0811	SPP-SWPS-02
FDNS	06ALL	0	15G	G14_053	TO->FROM	FPL SWITCH - WOODWARD 138KV CKT 1	133	153	0.03913	133.0154	STLN-DEMARC6 - SWEETWATER 230KV CKT 1
FDNS	06ALL	0	15G	G14_053	TO->FROM	FPL SWITCH - WOODWARD 138KV CKT 1	133	153	0.03313	130.54	GRAPEVINE INTERCHANGE - NICHOLS STATION 230KV CKT 1
FDNS	06ALL	0	15G	G14_053	TO->FROM	FPL SWITCH - WOODWARD 138KV CKT 1	133	153	0.03162	130.0405	WOODWARD - WOODWARD 69KV CKT 1
FDNS	06ALL	0	15G	G14_053	TO->FROM	FPL SWITCH - WOODWARD 138KV CKT 1	133	153	0.03444	126.126	THISTLE7 345.00 - WOODWARD DISTRICT EHV 345KV CKT 1
FDNS	06ALL	0	15G	G14_053	TO->FROM	FPL SWITCH - WOODWARD 138KV CKT 1	133	153	0.03444	126.126	THISTLE7 345.00 - WOODWARD DISTRICT EHV 345KV CKT 2
FDNS	06ALL	0	15G	G14_053	TO->FROM	FPL SWITCH - WOODWARD 138KV CKT 1	133	153	0.03335	124.5649	FINNEY SWITCHING STATION - HOLCOMB 345KV CKT 1
FDNS	06ALL	0	15G	G14_053	TO->FROM	FPL SWITCH - WOODWARD 138KV CKT 1	133	153	0.0314	124.1871	THISTLE7 345.00 - WICHITA 345KV CKT 1
FDNS	06ALL	0	15G	G14_053	TO->FROM	FPL SWITCH - WOODWARD 138KV CKT 1	133	153	0.0314	124.1871	THISTLE7 345.00 - WICHITA 345KV CKT 2
FDNS	06ALL	0	15G	G14_053	TO->FROM	FPL SWITCH - WOODWARD 138KV CKT 1	133	153	0.03335	123.3196	SPP-SWPS-05

SOLUTION	GROUP	SCENARIO	SEASON	SOURCE	DIRECTION	MONITORED ELEMENT	RATEA (MVA)	RATEB (MVA)	TDF	TC%LOADING (% MVA)	CONTINGENCY
FDNS	06ALL	0	15G	G14_053	TO->FROM	FPL SWITCH - WOODWARD 138KV CKT 1	133	153	0.03335	123.2614	FINNEY SWITCHING STATION - Hitchland Interchange 345KV CKT 1
FDNS	06ALL	0	15G	G14_053	TO->FROM	FPL SWITCH - WOODWARD 138KV CKT 1	133	153	0.03083	120.7972	ELLIS 4 138.00 - RED HILLS WIND 138KV CKT 1
FDNS	06ALL	0	15G	G14_053	TO->FROM	FPL SWITCH - WOODWARD 138KV CKT 1	133	153	0.03083	118.2357	ELLIS 4 138.00 - MOREWOOD SW 138KV CKT 1
FDNS	06ALL	0	15SP	G14_053	TO->FROM	FPL SWITCH - WOODWARD 138KV CKT 1	133	153	0.05675	111.3808	DBL-THIS-WWR
FDNSLock	06ALL	0	15G	G14_053	TO->FROM	FPL SWITCH - WOODWARD 138KV CKT 1	133	153	0.03083	105.8896	ELK CITY - RED HILLS WIND 138KV CKT 1
FDNS	06ALL	0	15SP	G14_053	TO->FROM	FPL SWITCH - WOODWARD 138KV CKT 1	133	153	0.04754	105.3952	NORTHWEST - TATONGA7 345.00 345KV CKT 1
FDNS	06ALL	0	15SP	G14_053	TO->FROM	FPL SWITCH - WOODWARD 138KV CKT 1	133	153	0.0529	104.8311	LAWTON EASTSIDE - OKLAUNION 345KV CKT 1
FDNS	06ALL	0	15SP	G14_053	TO->FROM	FPL SWITCH - WOODWARD 138KV CKT 1	133	153	0.04754	102.6277	SPSCONT-05B
FDNS	06ALL	0	15SP	G14_053	TO->FROM	FPL SWITCH - WOODWARD 138KV CKT 1	133	153	0.04754	101.4863	SPSCONT-04
FDNS	06ALL	0	15SP	G14_053	TO->FROM	FPL SWITCH - WOODWARD 138KV CKT 1	133	153	0.04534	100.8287	DBL-THIS-WIC
FDNS	06ALL	0	15SP	G14_053	TO->FROM	FPL SWITCH - WOODWARD 138KV CKT 1	133	153	0.0351	97.7	WOODWARD (WOODWRD2) 138/69/13.2KV TRANSFORMER CKT 1
FDNS	06ALL	0	20WP	G14_053	TO->FROM	FPL SWITCH - WOODWARD 138KV CKT 1	171	185	0.05065	96.8	NORTHWEST - TATONGA7 345.00 345KV CKT 1
FDNS	06ALL	0	20WP	G14_053	TO->FROM	FPL SWITCH - WOODWARD 138KV CKT 1	171	185	0.0603	96	DBL-THIS-WWR
FDNS	06ALL	0	15G	G14_053	TO->FROM	GRAPEVINE INTERCHANGE - NICHOLS STATION 230KV CKT 1	319	351	0.09436	104.4035	LAWTON EASTSIDE - OKLAUNION 345KV CKT 1
FDNS	06ALL	0	20WP	G14_053	TO->FROM	GRAPEVINE INTERCHANGE - NICHOLS STATION 230KV CKT 1	329	361	0.12662	102.8268	LAWTON EASTSIDE - OKLAUNION 345KV CKT 1
FDNS	06ALL	0	15SP	G14_053	TO->FROM	GRAPEVINE INTERCHANGE - NICHOLS STATION 230KV CKT 1	319	351	0.09596	99.65252	LAWTON EASTSIDE - OKLAUNION 345KV CKT 1
FDNS	06ALL	0	15G	G14_053	FROM->TO	GRAPEVINE INTERCHANGE - STATELINE INTERCHANGE 230KV CKT 1	319	351	0.10493	96.46441	LAWTON EASTSIDE - OKLAUNION 345KV CKT 1
FDNS	06ALL	0	15G	G14_053	FROM->TO	HARPER - MILAN TAP 138KV CKT 1	138	143	0.03166	116.5991	DBL-THIS-WIC
FDNS	06ALL	0	15SP	G14_053	FROM->TO	HARPER - MILAN TAP 138KV CKT 1	127	136	0.03191	104.5127	DBL-THIS-WIC
FDNS	06ALL	0	15WP	G14_053	FROM->TO	HARPER - MILAN TAP 138KV CKT 1	143	143	0.03192	102.8215	DBL-THIS-WIC
FDNS	06ALL	0	15SP	G14_053	TO->FROM	PLANT X STATION - TOLK STATION EAST 230KV CKT 2	478	502	0.07393	129.7813	PLANT X STATION - TOLK STATION WEST 230KV CKT 1
FDNS	06ALL	0	15G	G14_053	TO->FROM	PLANT X STATION - TOLK STATION EAST 230KV CKT 2	478	502	0.05613	108.0605	SPP-SWPS-06
FDNS	06ALL	0	15G	G14_053	TO->FROM	PLANT X STATION - TOLK STATION EAST 230KV CKT 2	478	502	0.0731	100.4028	PLANT X STATION - TOLK STATION WEST 230KV CKT 1
FDNS	06ALL	0	15WP	G14_053	TO->FROM	PLANT X STATION - TOLK STATION EAST 230KV CKT 2	557	557	0.07172	99.8	PLANT X STATION - TOLK STATION WEST 230KV CKT 1
FDNS	06ALL	0	20SP	G14_053	TO->FROM	PLANT X STATION - TOLK STATION EAST 230KV CKT 2	478	502	0.06242	96.1	PLANT X STATION - TOLK STATION WEST 230KV CKT 1
FDNS	06ALL	0	15SP	G14_053	TO->FROM	PLANT X STATION - TOLK STATION WEST 230KV CKT 1	478	502	0.07444	130.7753	PLANT X STATION - TOLK STATION EAST 230KV CKT 2
FDNS	06ALL	0	15G	G14_053	TO->FROM	PLANT X STATION - TOLK STATION WEST 230KV CKT 1	478	502	0.07362	101.1768	PLANT X STATION - TOLK STATION EAST 230KV CKT 2
FDNS	06ALL	0	15WP	G14_053	TO->FROM	PLANT X STATION - TOLK STATION WEST 230KV CKT 1	557	557	0.07223	100.5624	PLANT X STATION - TOLK STATION EAST 230KV CKT 2
FDNS	06ALL	0	20SP	G14_053	TO->FROM	PLANT X STATION - TOLK STATION WEST 230KV CKT 1	478	502	0.06292	96.8	PLANT X STATION - TOLK STATION EAST 230KV CKT 2
FDNS	06ALL	0	25SP	G14_053	FROM->TO	WOLFFORTH INTERCHANGE (WH 7001668) 230/115/13.2KV TRANSFORMER CKT 1	120	154	0.06176	112.4664	CARLISLE INTERCHANGE (WH XHS70711) 230/115/13.2KV TRANSFORMER CKT 1
FDNS	06ALL	0	25SP	G14_053	FROM->TO	WOLFFORTH INTERCHANGE (WH 7001668) 230/115/13.2KV TRANSFORMER CKT 1	120	154	0.04384	111.4364	CARLISLE INTERCHANGE - LP-DOUD_TP 3115.00 115KV CKT 1
FDNS	06ALL	0	25SP	G14_053	FROM->TO	WOLFFORTH INTERCHANGE (WH 7001668) 230/115/13.2KV TRANSFORMER CKT 1	120	154	0.06176	106.8437	CARLISLE INTERCHANGE (WH XHS70711) 230/115/13.2KV TRANSFORMER CKT 1
FDNS	06ALL	0	25SP	G14_053	FROM->TO	WOLFFORTH INTERCHANGE (WH 7001668) 230/115/13.2KV TRANSFORMER CKT 1	120	154	0.04384	106.7556	CARLISLE INTERCHANGE - LP-DOUD_TP 3115.00 115KV CKT 1
FDNS	06ALL	0	25SP	G14_053	FROM->TO	WOLFFORTH INTERCHANGE (WH 7001668) 230/115/13.2KV TRANSFORMER CKT 1	120	154	0.06368	97.4	SUNDOWN INTERCHANGE - WOLFFORTH INTERCHANGE 230KV CKT 1
FDNS	06ALL	0	25SP	G14_053	FROM->TO	WOLFFORTH INTERCHANGE (WH 7001668) 230/115/13.2KV TRANSFORMER CKT 1	120	154	0.04384	96.8	LP-DOUD_TP 3115.00 - SP-WOLF_TP 3115.00 115KV CKT 1
FDNS	06ALL	0	20SP	G14_053	FROM->TO	WOLFFORTH INTERCHANGE (WH 7001668) 230/115/13.2KV TRANSFORMER CKT 1	120	154	0.06181	96.2	CARLISLE INTERCHANGE (WH XHS70711) 230/115/13.2KV TRANSFORMER CKT 1
FDNS	06ALL	2	25SP	G14_053	FROM->TO	CARLISLE INTERCHANGE (WH XHS70711) 230/115/13.2KV TRANSFORMER CKT 1	168	168	0.10621	112.7742	ALLEN SUB - LUBBOCK SOUTH INTERCHANGE 115KV CKT 1
FDNS	06ALL	2	25SP	G14_053	FROM->TO	CARLISLE INTERCHANGE (WH XHS70711) 230/115/13.2KV TRANSFORMER CKT 1	168	168	0.12651	109.7919	WOLFFORTH INTERCHANGE (WH 7001668) 230/115/13.2KV TRANSFORMER CKT 1
FDNS	06ALL	2	25SP	G14_053	FROM->TO	CARLISLE INTERCHANGE (WH XHS70711) 230/115/13.2KV TRANSFORMER CKT 1	168	168	0.10621	109.1479	ALLEN SUB - LUBBOCK SOUTH INTERCHANGE 115KV CKT 1
FDNS	06ALL	2	25SP	G14_053	FROM->TO	CARLISLE INTERCHANGE (WH XHS70711) 230/115/13.2KV TRANSFORMER CKT 1	168	168	0.12651	104.8066	WOLFFORTH INTERCHANGE (WH 7001668) 230/115/13.2KV TRANSFORMER CKT 1
FDNS	06ALL	2	20SP	G14_053	FROM->TO	CARLISLE INTERCHANGE (WH XHS70711) 230/115/13.2KV TRANSFORMER CKT 1	168	168	0.10624	99.4	ALLEN SUB - LUBBOCK SOUTH INTERCHANGE 115KV CKT 1
FDNS	06ALL	2	25SP	G14_053	FROM->TO	CARLISLE INTERCHANGE (WH XHS70711) 230/115/13.2KV TRANSFORMER CKT 1	168	168	0.10621	98.1	ALLEN SUB - SOUTH PLAINS REC-QUAKER 115KV CKT 1
FDNS	06ALL	2	20SP	G14_053	FROM->TO	CARLISLE INTERCHANGE (WH XHS70711) 230/115/13.2KV TRANSFORMER CKT 1	168	168	0.10624	97.2	ALLEN SUB - LUBBOCK SOUTH INTERCHANGE 115KV CKT 1
FDNS	06ALL	2	25SP	G14_053	FROM->TO	CARLISLE INTERCHANGE (WH XHS70711) 230/115/13.2KV TRANSFORMER CKT 1	168	168	0.09274	97.2	STANTON SUB - TUCO INTERCHANGE 115KV CKT 1
FDNS	06ALL	2	20SP	G14_053	FROM->TO	CARLISLE INTERCHANGE (WH XHS70711) 230/115/13.2KV TRANSFORMER CKT 1	168	168	0.12656	95.8	WOLFFORTH INTERCHANGE (WH 7001668) 230/115/13.2KV TRANSFORMER CKT 1
FDNS	06ALL	2	25SP	G14_053	FROM->TO	CARLISLE INTERCHANGE (WH XHS70711) 230/115/13.2KV TRANSFORMER CKT 1	168	168	0.10621	95.8	ALLEN SUB - SOUTH PLAINS REC-QUAKER 115KV CKT 1
FDNS	06ALL	2	15G	G14_053	FROM->TO	CLEARWATER - GILL ENERGY CENTER WEST 138KV CKT 1	143	143	0.03154	100.3876	DBL-THIS-WIC
FDNS	06ALL	2	15G	G14_053	TO->FROM	CLEARWATER - MILAN TAP 138KV CKT 1	110	110	0.03154	139.9774	DBL-THIS-WIC
FDNS	06ALL	2	20WP	G14_053	TO->FROM	CLEARWATER - MILAN TAP 138KV CKT 1	110	110	0.03237	108.5614	DBL-THIS-WIC
FDNS	06ALL	2	15WP	G14_053	TO->FROM	CLEARWATER - MILAN TAP 138KV CKT 1	110	110	0.03181	106.1489	DBL-THIS-WIC
FDNS	06ALL	2	15SP	G14_053	TO->FROM	CLEARWATER - MILAN TAP 138KV CKT 1	110	110	0.0318	100	DBL-THIS-WIC
FDNS	06ALL	2	20SP	G14_053	FROM->TO	CURRY COUNTY INTERCHANGE - DEAF SMITH REC-#20 115KV CKT 1	96	96	0.03079	106.7095	DEAF SMITH COUNTY INTERCHANGE - PLANT X STATION 230KV CKT 1
FDNS	06ALL	2	25SP	G14_053	FROM->TO	CURRY COUNTY INTERCHANGE - DEAF SMITH REC-#20 115KV CKT 1	96	96	0.0312	95.5	DEAF SMITH COUNTY INTERCHANGE - PLANT X STATION 230KV CKT 1
FDNS	06ALL	2	15SP	G14_053	TO->FROM	DEAF SMITH COUNTY INTERCHANGE - PLANT X STATION 230KV CKT 1	319	351	0.12627	109.6348	LAWTON EASTSIDE - OKLAUNION 345KV CKT 1
FDNS	06ALL	2	15SP	G14_053	TO->FROM	DEAF SMITH COUNTY INTERCHANGE - PLANT X STATION 230KV CKT 1	319	351	0.10105	97.1	NEWHART 230 - PLANT X STATION 230KV CKT 1
FDNS	06ALL	2	15SP	G14_053	TO->FROM	DEAF SMITH COUNTY INTERCHANGE - PLANT X STATION 230KV CKT 1	319	351	0.12773	96.4	SPP-SWPS-01
FDNS	06ALL	2	15SP	G14_053	TO->FROM	DEAF SMITH COUNTY INTERCHANGE - PLANT X STATION 230KV CKT 1	319	351	0.12627	96.1	SPSCONT-01
FDNS	06ALL	2	15SP	G14_053	TO->FROM	DEAF SMITH COUNTY INTERCHANGE - PLANT X STATION 230KV CKT 1	319	351	0.12627	96	OKLAUNION - TUCO INTERCHANGE 345KV CKT 1
FDNS	06ALL	2	15G	G14_053	FROM->TO	ELK CITY 230KV (ELKCTY-6) 230/138/13.8KV TRANSFORMER CKT 1	287	316	0.10434	106.8055	LAWTON EASTSIDE - OKLAUNION 345KV CKT 1
FDNS	06ALL	2	15G	G14_053	FROM->TO	ELK CITY 230KV (ELKCTY-6) 230/138/13.8KV TRANSFORMER CKT 1	287	316	0.10434	104.9756	LAWTON EASTSIDE - OKLAUNION 345KV CKT 1
FDNS	06ALL	2	15SP	G14_053	FROM->TO	ELK CITY 230KV (ELKCTY-6) 230/138/13.8KV TRANSFORMER CKT 1	272	316	0.11198	100.0284	LAWTON EASTSIDE - OKLAUNION 345KV CKT 1
FDNS	06ALL	2	15WP	G14_053	FROM->TO	ELK CITY 230KV (ELKCTY-6) 230/138/13.8KV TRANSFORMER CKT 1	287	316	0.11542	99.83074	LAWTON EASTSIDE - OKLAUNION 345KV CKT 1
FDNS	06ALL	2	15SP	G14_053	FROM->TO	ELK CITY 230KV (ELKCTY-6) 230/138/13.8KV TRANSFORMER CKT 1	272	316	0.11198	98.59394	LAWTON EASTSIDE - OKLAUNION 345KV CKT 1
FDNS	06ALL	2	15WP	G14_053	FROM->TO	ELK CITY 230KV (ELKCTY-6) 230/138/13.8KV TRANSFORMER CKT 1	287	316	0.11542	98.42802	LAWTON EASTSIDE - OKLAUNION 345KV CKT 1
FDNS	06ALL	2	15G	G14_053	FROM->TO	ELK CITY 230KV (ELKCTY-6) 230/138/13.8KV TRANSFORMER CKT 1	287	316	0.10434	97.6	SPSCONT-01
FDNS	06ALL	2	15G	G14_053	FROM->TO	ELK CITY 230KV (ELKCTY-6) 230/138/13.8KV TRANSFORMER CKT 1	287	316	0.07809	96.8	DBL-G1114-WW
FDNS	06ALL	2	15G	G14_053	FROM->TO	ELK CITY 230KV (ELKCTY-6) 230/138/13.8KV TRANSFORMER CKT 1	287	316	0.10511	96.7	SPP-SWPS-01
FDNS	06ALL	2	15G	G14_053	FROM->TO	ELK CITY 230KV (ELKCTY-6) 230/138/13.8KV TRANSFORMER CKT 1	287	316	0.10434	96.5	SPSCONT-01
FDNS	06ALL	2	15G	G14_053	FROM->TO	ELK CITY 230KV (ELKCTY-6) 230/138/13.8KV TRANSFORMER CKT 1	287	316	0.10434	96.2	OKLAUNION - TUCO INTERCHANGE 345KV CKT 1
FDNS	06ALL	2	15G	G14_053	FROM->TO	ELK CITY 230KV (ELKCTY-6) 230/138/13.8KV TRANSFORMER CKT 1	287	316	0.10511	95.7	SPP-SWPS-01
FDNS	06ALL	2	15G	G14_053	FROM->TO	ELK CITY 230KV (ELKCTY-6) 230/138/13.8KV TRANSFORMER CKT 1	287	316	0.07809	95.6	DBL-G1114-WW
FDNS	06ALL	2	15G	G14_053	FROM->TO	ELK CITY 230KV (ELKCTY-6) 230/138/13.8KV TRANSFORMER CKT 1	287	316	0.07809	95.5	DBL-BVR-G111

SOLUTION	GROUP	SCENARIO	SEASON	SOURCE	DIRECTION	MONITORED ELEMENT	RATEA (MVA)	RATEB(MVA)	TDF	TC%LOADING (% MVA)	CONTINGENCY
FDNS	06ALL	2	15G	G14_053	FROM->TO	ELK CITY 230KV (ELKCTY-6) 230/138/13.8KV TRANSFORMER CKT 1	287	316	0.10434	95.1	OKLAUNION - TUCO INTERCHANGE 345KV CKT 1
FDNS	06ALL	2	15SP	G14_053	TO->FROM	FLATRDG3 - THISTLE4 138.00 138KV CKT 1	286	286	0.0465	98.1	DBL-THIS-WIC
FDNS	06ALL	2	15G	G14_053	TO->FROM	FPL SWITCH - WOODWARD 138KV CKT 1	133	153	0.0444	161.0764	NORTHWEST - TATONGA7 345.00 345KV CKT 1
FDNS	06ALL	2	15G	G14_053	TO->FROM	FPL SWITCH - WOODWARD 138KV CKT 1	133	153	0.05341	159.4718	DBL-THIS-WWR
FDNS	06ALL	2	15G	G14_053	TO->FROM	FPL SWITCH - WOODWARD 138KV CKT 1	133	153	0.0444	157.784	SPSCONT-05B
FDNS	06ALL	2	15G	G14_053	TO->FROM	FPL SWITCH - WOODWARD 138KV CKT 1	133	153	0.0444	157.1004	SPSCONT-04
FDNS	06ALL	2	15G	G14_053	TO->FROM	FPL SWITCH - WOODWARD 138KV CKT 1	133	153	0.04224	154.0923	DBL-THIS-WIC
FDNS	06ALL	2	15G	G14_053	TO->FROM	FPL SWITCH - WOODWARD 138KV CKT 1	133	153	0.04998	152.7189	LAWTON EASTSIDE - OKLAUNION 345KV CKT 1
FDNS	06ALL	2	15G	G14_053	TO->FROM	FPL SWITCH - WOODWARD 138KV CKT 1	133	153	0.0444	147.5378	G11_051T 345.00 - TATONGA7 345.00 345KV CKT 1
FDNS	06ALL	2	15G	G14_053	TO->FROM	FPL SWITCH - WOODWARD 138KV CKT 1	133	153	0.0444	146.3224	G11_051T 345.00 - WOODWARD DISTRICT EHV 345KV CKT 1
FDNS	06ALL	2	15G	G14_053	TO->FROM	FPL SWITCH - WOODWARD 138KV CKT 1	133	153	0.03167	143.4813	WOODWARD (WOODWRD2) 138/69/13.2KV TRANSFORMER CKT 1
FDNS	06ALL	2	15G	G14_053	TO->FROM	FPL SWITCH - WOODWARD 138KV CKT 1	133	153	0.0444	143.1119	SPSCONT-05AX
FDNS	06ALL	2	15G	G14_053	TO->FROM	FPL SWITCH - WOODWARD 138KV CKT 1	133	153	0.0389	142.197	ELK CITY 230KV - SWEETWATER 230KV CKT 1
FDNS	06ALL	2	15G	G14_053	TO->FROM	FPL SWITCH - WOODWARD 138KV CKT 1	133	153	0.0389	142.1652	ELK CITY 230KV (ELKCTY-6) 230/138/13.8KV TRANSFORMER CKT 1
FDNS	06ALL	2	15G	G14_053	TO->FROM	FPL SWITCH - WOODWARD 138KV CKT 1	133	153	0.04998	141.5791	SPSCONT-01
FDNS	06ALL	2	15G	G14_053	TO->FROM	FPL SWITCH - WOODWARD 138KV CKT 1	133	153	0.03908	139.7583	SPP-SWPS-03
FDNS	06ALL	2	15G	G14_053	TO->FROM	FPL SWITCH - WOODWARD 138KV CKT 1	133	153	0.04998	139.3711	OKLAUNION - TUCO INTERCHANGE 345KV CKT 1
FDNS	06ALL	2	15G	G14_053	TO->FROM	FPL SWITCH - WOODWARD 138KV CKT 1	133	153	0.04972	139.1429	SPP-SWPS-01
FDNS	06ALL	2	15G	G14_053	TO->FROM	FPL SWITCH - WOODWARD 138KV CKT 1	133	153	0.0389	138.6541	SPP-SWPS-02A
FDNS	06ALL	2	15G	G14_053	TO->FROM	FPL SWITCH - WOODWARD 138KV CKT 1	133	153	0.0389	138.3635	GRAPEVINE INTERCHANGE - STATELINE INTERCHANGE 230KV CKT 1
FDNSLock	06ALL	2	15G	G14_053	TO->FROM	FPL SWITCH - WOODWARD 138KV CKT 1	133	153	0.0335	137.0502	IODINE - WOODWARD EHV 138KV CKT 1
FDNS	06ALL	2	15G	G14_053	TO->FROM	FPL SWITCH - WOODWARD 138KV CKT 1	133	153	0.0335	135.4149	DEWEY - IODINE 138KV CKT 1
FDNS	06ALL	2	15G	G14_053	TO->FROM	FPL SWITCH - WOODWARD 138KV CKT 1	133	153	0.0389	132.7991	STATELINE INTERCHANGE - STLN-DEMARC6 230KV CKT 1
FDNS	06ALL	2	15G	G14_053	TO->FROM	FPL SWITCH - WOODWARD 138KV CKT 1	133	153	0.0389	132.7953	SPP-SWPS-02
FDNS	06ALL	2	15G	G14_053	TO->FROM	FPL SWITCH - WOODWARD 138KV CKT 1	133	153	0.0389	132.7834	STLN-DEMARC6 - SWEETWATER 230KV CKT 1
FDNS	06ALL	2	15G	G14_053	TO->FROM	FPL SWITCH - WOODWARD 138KV CKT 1	133	153	0.03305	130.4683	GRAPEVINE INTERCHANGE - NICHOLS STATION 230KV CKT 1
FDNS	06ALL	2	15G	G14_053	TO->FROM	FPL SWITCH - WOODWARD 138KV CKT 1	133	153	0.03167	130.1106	WOODWARD - WOODWARD 69KV CKT 1
FDNS	06ALL	2	15G	G14_053	TO->FROM	FPL SWITCH - WOODWARD 138KV CKT 1	133	153	0.03449	126.1934	THISTLE7 345.00 - WOODWARD DISTRICT EHV 345KV CKT 1
FDNS	06ALL	2	15G	G14_053	TO->FROM	FPL SWITCH - WOODWARD 138KV CKT 1	133	153	0.03449	126.1934	THISTLE7 345.00 - WOODWARD DISTRICT EHV 345KV CKT 2
FDNS	06ALL	2	15G	G14_053	TO->FROM	FPL SWITCH - WOODWARD 138KV CKT 1	133	153	0.03333	124.5364	FINNEY SWITCHING STATION - HOLCOMB 345KV CKT 1
FDNS	06ALL	2	15G	G14_053	TO->FROM	FPL SWITCH - WOODWARD 138KV CKT 1	133	153	0.03144	124.2225	THISTLE7 345.00 - WICHITA 345KV CKT 1
FDNS	06ALL	2	15G	G14_053	TO->FROM	FPL SWITCH - WOODWARD 138KV CKT 1	133	153	0.03144	124.2225	THISTLE7 345.00 - WICHITA 345KV CKT 2
FDNS	06ALL	2	15G	G14_053	TO->FROM	FPL SWITCH - WOODWARD 138KV CKT 1	133	153	0.03333	123.294	SPP-SWPS-05
FDNS	06ALL	2	15G	G14_053	TO->FROM	FPL SWITCH - WOODWARD 138KV CKT 1	133	153	0.03333	123.2358	FINNEY SWITCHING STATION - Hitchland Interchange 345KV CKT 1
FDNS	06ALL	2	15G	G14_053	TO->FROM	FPL SWITCH - WOODWARD 138KV CKT 1	133	153	0.0308	120.7881	ELLIS 4 138.00 - RED HILLS WIND 138KV CKT 1
FDNS	06ALL	2	15G	G14_053	TO->FROM	FPL SWITCH - WOODWARD 138KV CKT 1	133	153	0.0308	118.2424	ELLIS 4 138.00 - MOREWOOD SW 138KV CKT 1
FDNS	06ALL	2	15SP	G14_053	TO->FROM	FPL SWITCH - WOODWARD 138KV CKT 1	133	153	0.05683	111.8037	DBL-THIS-WWR
FDNS	06ALL	2	15G	G14_053	TO->FROM	FPL SWITCH - WOODWARD 138KV CKT 1	133	153	0.0308	105.8822	ELK CITY - RED HILLS WIND 138KV CKT 1
FDNS	06ALL	2	15SP	G14_053	TO->FROM	FPL SWITCH - WOODWARD 138KV CKT 1	133	153	0.04753	105.4283	NORTHWEST - TATONGA7 345.00 345KV CKT 1
FDNS	06ALL	2	15SP	G14_053	TO->FROM	FPL SWITCH - WOODWARD 138KV CKT 1	133	153	0.05311	104.792	LAWTON EASTSIDE - OKLAUNION 345KV CKT 1
FDNS	06ALL	2	15SP	G14_053	TO->FROM	FPL SWITCH - WOODWARD 138KV CKT 1	133	153	0.04753	102.6609	SPSCONT-05B
FDNS	06ALL	2	15SP	G14_053	TO->FROM	FPL SWITCH - WOODWARD 138KV CKT 1	133	153	0.04753	101.5196	SPSCONT-04
FDNS	06ALL	2	15SP	G14_053	TO->FROM	FPL SWITCH - WOODWARD 138KV CKT 1	133	153	0.04536	100.868	DBL-THIS-WIC
FDNS	06ALL	2	15SP	G14_053	TO->FROM	FPL SWITCH - WOODWARD 138KV CKT 1	133	153	0.03517	97.8	WOODWARD (WOODWRD2) 138/69/13.2KV TRANSFORMER CKT 1
FDNS	06ALL	2	20WP	G14_053	TO->FROM	FPL SWITCH - WOODWARD 138KV CKT 1	171	185	0.05062	96.8	NORTHWEST - TATONGA7 345.00 345KV CKT 1
FDNS	06ALL	2	20WP	G14_053	TO->FROM	FPL SWITCH - WOODWARD 138KV CKT 1	171	185	0.06034	96.1	DBL-THIS-WWR
FDNS	06ALL	2	15G	G14_053	TO->FROM	GRAPEVINE INTERCHANGE - NICHOLS STATION 230KV CKT 1	319	351	0.09383	104.1544	LAWTON EASTSIDE - OKLAUNION 345KV CKT 1
FDNS	06ALL	2	20WP	G14_053	TO->FROM	GRAPEVINE INTERCHANGE - NICHOLS STATION 230KV CKT 1	329	361	0.12607	102.6379	LAWTON EASTSIDE - OKLAUNION 345KV CKT 1
FDNS	06ALL	2	15SP	G14_053	TO->FROM	GRAPEVINE INTERCHANGE - NICHOLS STATION 230KV CKT 1	319	351	0.09542	99.55632	LAWTON EASTSIDE - OKLAUNION 345KV CKT 1
FDNS	06ALL	2	15G	G14_053	FROM->TO	GRAPEVINE INTERCHANGE - STATELINE INTERCHANGE 230KV CKT 1	319	351	0.10434	96.1822	LAWTON EASTSIDE - OKLAUNION 345KV CKT 1
FDNS	06ALL	2	15G	G14_053	FROM->TO	HARPER - MILAN TAP 138KV CKT 1	138	143	0.03154	116.4392	DBL-THIS-WIC
FDNS	06ALL	2	15SP	G14_053	FROM->TO	HARPER - MILAN TAP 138KV CKT 1	127	136	0.0318	104.4461	DBL-THIS-WIC
FDNS	06ALL	2	15WP	G14_053	FROM->TO	HARPER - MILAN TAP 138KV CKT 1	143	143	0.03181	102.7312	DBL-THIS-WIC
FDNS	06ALL	2	15SP	G14_053	TO->FROM	PLANT X STATION - TOLK STATION EAST 230KV CKT 2	478	502	0.07362	129.6941	PLANT X STATION - TOLK STATION WEST 230KV CKT 1
FDNS	06ALL	2	15G	G14_053	TO->FROM	PLANT X STATION - TOLK STATION EAST 230KV CKT 2	478	502	0.05586	107.8303	SPP-SWPS-06
FDNS	06ALL	2	15G	G14_053	TO->FROM	PLANT X STATION - TOLK STATION EAST 230KV CKT 2	478	502	0.07279	100.223	PLANT X STATION - TOLK STATION WEST 230KV CKT 1
FDNS	06ALL	2	15WP	G14_053	TO->FROM	PLANT X STATION - TOLK STATION EAST 230KV CKT 2	557	557	0.0714	99.7	PLANT X STATION - TOLK STATION WEST 230KV CKT 1
FDNS	06ALL	2	20SP	G14_053	TO->FROM	PLANT X STATION - TOLK STATION EAST 230KV CKT 2	478	502	0.0634	96.2	PLANT X STATION - TOLK STATION WEST 230KV CKT 1
FDNS	06ALL	2	15SP	G14_053	TO->FROM	PLANT X STATION - TOLK STATION WEST 230KV CKT 1	478	502	0.07413	130.6873	PLANT X STATION - TOLK STATION EAST 230KV CKT 2
FDNS	06ALL	2	15G	G14_053	TO->FROM	PLANT X STATION - TOLK STATION WEST 230KV CKT 1	478	502	0.07332	100.9956	PLANT X STATION - TOLK STATION EAST 230KV CKT 2
FDNS	06ALL	2	15WP	G14_053	TO->FROM	PLANT X STATION - TOLK STATION WEST 230KV CKT 1	557	557	0.0719	100.4777	PLANT X STATION - TOLK STATION EAST 230KV CKT 2
FDNS	06ALL	2	20SP	G14_053	TO->FROM	PLANT X STATION - TOLK STATION WEST 230KV CKT 1	478	502	0.06392	96.9	PLANT X STATION - TOLK STATION EAST 230KV CKT 2
FDNS	06ALL	2	15G	G14_053	FROM->TO	TUCO INTERCHANGE - TUCO_2 230.00 230KV CKT 1	319	351	0.30882	98.75284	LAWTON EASTSIDE - OKLAUNION 345KV CKT 1
FDNS	06ALL	2	15SP	G14_053	FROM->TO	TUCO INTERCHANGE - TUCO_2 230.00 230KV CKT 1	319	351	0.37046	96.5	TUCO INTERCHANGE - TUCO_2 345.00 345KV CKT 1
FDNS	06ALL	2	15WP	G14_053	FROM->TO	TUCO INTERCHANGE - TUCO_2 230.00 230KV CKT 1	329	361	0.3901	96.4	TUCO INTERCHANGE (GE M1022338) 345/230/13.2KV TRANSFORMER CKT 1
FDNS	06ALL	2	15WP	G14_053	FROM->TO	TUCO INTERCHANGE - TUCO_2 230.00 230KV CKT 1	329	361	0.38005	95.1	SPP-SWPS-01
FDNS	06ALL	2	25SP	G14_053	FROM->TO	WOLFFORTH INTERCHANGE (WH 7001668) 230/115/13.2KV TRANSFORMER CKT 1	120	154	0.06131	112.4399	CARLISLE INTERCHANGE (WH XHS70711) 230/115/13.2KV TRANSFORMER CKT 1
FDNS	06ALL	2	25SP	G14_053	FROM->TO	WOLFFORTH INTERCHANGE (WH 7001668) 230/115/13.2KV TRANSFORMER CKT 1	120	154	0.04283	111.3738	CARLISLE INTERCHANGE - LP-DOUD_TP 3115.00 115KV CKT 1
FDNS	06ALL	2	25SP	G14_053	FROM->TO	WOLFFORTH INTERCHANGE (WH 7001668) 230/115/13.2KV TRANSFORMER CKT 1	120	154	0.06131	106.8176	CARLISLE INTERCHANGE (WH XHS70711) 230/115/13.2KV TRANSFORMER CKT 1
FDNS	06ALL	2	25SP	G14_053	FROM->TO	WOLFFORTH INTERCHANGE (WH 7001668) 230/115/13.2KV TRANSFORMER CKT 1	120	154	0.04283	106.6934	CARLISLE INTERCHANGE - LP-DOUD_TP 3115.00 115KV CKT 1
FDNS	06ALL	2	25SP	G14_053	FROM->TO	WOLFFORTH INTERCHANGE (WH 7001668) 230/115/13.2KV TRANSFORMER CKT 1	120	154	0.06257	97.3	SUNDOWN INTERCHANGE - WOLFFORTH INTERCHANGE 230KV CKT 1
FDNS	06ALL	2	25SP	G14_053	FROM->TO	WOLFFORTH INTERCHANGE (WH 7001668) 230/115/13.2KV TRANSFORMER CKT 1	120	154	0.04283	96.7	LP-DOUD_TP 3115.00 - SP-WOLF_TP 3115.00 115KV CKT 1

SOLUTION	GROUP	SCENARIO	SEASON	SOURCE	DIRECTION	MONITORED ELEMENT	RATEA (MVA)	RATEB (MVA)	TDF	TC%LOADING (% MVA)	CONTINGENCY
FDNS	06ALL	2	20SP	G14_053	FROM->TO	WOLFFORTH INTERCHANGE (WH 7001668) 230/115/13.2KV TRANSFORMER CKT 1	120	154	0.06135	96	CARLISLE INTERCHANGE (WH XHS70711) 230/115/13.2KV TRANSFORMER CKT 1
FDNS	06ALL	3	15G	G14_053	FROM->TO	CLEARWATER - GILL ENERGY CENTER WEST 138KV CKT 1	143	143	0.03158	100.3353	DBL-THIS-WIC
FDNS	06ALL	3	15G	G14_053	TO->FROM	CLEARWATER - MILAN TAP 138KV CKT 1	110	110	0.03158	139.9081	DBL-THIS-WIC
FDNS	06ALL	3	20WP	G14_053	TO->FROM	CLEARWATER - MILAN TAP 138KV CKT 1	110	110	0.0324	108.5249	DBL-THIS-WIC
FDNS	06ALL	3	15WP	G14_053	TO->FROM	CLEARWATER - MILAN TAP 138KV CKT 1	110	110	0.03184	106.1126	DBL-THIS-WIC
FDNS	06ALL	3	15SP	G14_053	TO->FROM	CLEARWATER - MILAN TAP 138KV CKT 1	110	110	0.03182	99.9	DBL-THIS-WIC
FDNS	06ALL	3	20SP	G14_053	FROM->TO	CURRY COUNTY INTERCHANGE - DEAF SMITH REC-#20 115KV CKT 1	96	96	0.03083	104.6276	DEAF SMITH COUNTY INTERCHANGE - PLANT X STATION 230KV CKT 1
FDNS	06ALL	3	15SP	G14_053	TO->FROM	DEAF SMITH COUNTY INTERCHANGE - PLANT X STATION 230KV CKT 1	319	351	0.12639	109.4403	LAWTON EASTSIDE - OKLAUNION 345KV CKT 1
FDNS	06ALL	3	15SP	G14_053	TO->FROM	DEAF SMITH COUNTY INTERCHANGE - PLANT X STATION 230KV CKT 1	319	351	0.10117	96.9	NEWHART 230 - PLANT X STATION 230KV CKT 1
FDNS	06ALL	3	15SP	G14_053	TO->FROM	DEAF SMITH COUNTY INTERCHANGE - PLANT X STATION 230KV CKT 1	319	351	0.12785	96.2	SPP-SWPS-01
FDNS	06ALL	3	15SP	G14_053	TO->FROM	DEAF SMITH COUNTY INTERCHANGE - PLANT X STATION 230KV CKT 1	319	351	0.12639	96	SPSCONT-01
FDNS	06ALL	3	15SP	G14_053	TO->FROM	DEAF SMITH COUNTY INTERCHANGE - PLANT X STATION 230KV CKT 1	319	351	0.12639	95.8	OKLAUNION - TUCO INTERCHANGE 345KV CKT 1
FDNS	06ALL	3	15G	G14_053	FROM->TO	ELK CITY 230KV (ELKCTY-6) 230/138/13.8KV TRANSFORMER CKT 1	287	316	0.10447	106.8002	LAWTON EASTSIDE - OKLAUNION 345KV CKT 1
FDNS	06ALL	3	15G	G14_053	FROM->TO	ELK CITY 230KV (ELKCTY-6) 230/138/13.8KV TRANSFORMER CKT 1	287	316	0.10447	104.9708	LAWTON EASTSIDE - OKLAUNION 345KV CKT 1
FDNS	06ALL	3	15SP	G14_053	FROM->TO	ELK CITY 230KV (ELKCTY-6) 230/138/13.8KV TRANSFORMER CKT 1	272	316	0.11206	100.0238	LAWTON EASTSIDE - OKLAUNION 345KV CKT 1
FDNS	06ALL	3	15WP	G14_053	FROM->TO	ELK CITY 230KV (ELKCTY-6) 230/138/13.8KV TRANSFORMER CKT 1	287	316	0.11554	99.80477	LAWTON EASTSIDE - OKLAUNION 345KV CKT 1
FDNS	06ALL	3	15SP	G14_053	FROM->TO	ELK CITY 230KV (ELKCTY-6) 230/138/13.8KV TRANSFORMER CKT 1	272	316	0.11206	98.58963	LAWTON EASTSIDE - OKLAUNION 345KV CKT 1
FDNS	06ALL	3	15WP	G14_053	FROM->TO	ELK CITY 230KV (ELKCTY-6) 230/138/13.8KV TRANSFORMER CKT 1	287	316	0.11554	98.40416	LAWTON EASTSIDE - OKLAUNION 345KV CKT 1
FDNS	06ALL	3	15G	G14_053	FROM->TO	ELK CITY 230KV (ELKCTY-6) 230/138/13.8KV TRANSFORMER CKT 1	287	316	0.10447	97.5	SPSCONT-01
FDNS	06ALL	3	15G	G14_053	FROM->TO	ELK CITY 230KV (ELKCTY-6) 230/138/13.8KV TRANSFORMER CKT 1	287	316	0.10525	96.7	SPP-SWPS-01
FDNS-CHECK-TC-Iteration Limit Exceeded.	06ALL	3	15G	G14_053	FROM->TO	ELK CITY 230KV (ELKCTY-6) 230/138/13.8KV TRANSFORMER CKT 1	287	316	0.0782	96.7	DBL-G1114-WW
FDNS	06ALL	3	15G	G14_053	FROM->TO	ELK CITY 230KV (ELKCTY-6) 230/138/13.8KV TRANSFORMER CKT 1	287	316	0.10447	96.5	SPSCONT-01
FDNS	06ALL	3	15G	G14_053	FROM->TO	ELK CITY 230KV (ELKCTY-6) 230/138/13.8KV TRANSFORMER CKT 1	287	316	0.10447	96.4	OKLAUNION - TUCO INTERCHANGE 345KV CKT 1
FDNS	06ALL	3	15G	G14_053	FROM->TO	ELK CITY 230KV (ELKCTY-6) 230/138/13.8KV TRANSFORMER CKT 1	287	316	0.0782	95.6	DBL-BVR-G111
FDNS-CHECK-TC-Iteration Limit Exceeded.	06ALL	3	15G	G14_053	FROM->TO	ELK CITY 230KV (ELKCTY-6) 230/138/13.8KV TRANSFORMER CKT 1	287	316	0.0782	95.6	DBL-G1114-WW
FDNS	06ALL	3	15G	G14_053	FROM->TO	ELK CITY 230KV (ELKCTY-6) 230/138/13.8KV TRANSFORMER CKT 1	287	316	0.10525	95.5	SPP-SWPS-01
FDNS	06ALL	3	15G	G14_053	FROM->TO	ELK CITY 230KV (ELKCTY-6) 230/138/13.8KV TRANSFORMER CKT 1	287	316	0.10447	95.3	OKLAUNION - TUCO INTERCHANGE 345KV CKT 1
FDNS	06ALL	3	15SP	G14_053	TO->FROM	FLATRDG3 - THISTLE4 138.00 138KV CKT 1	286	286	0.04653	98.1	DBL-THIS-WIC
FDNS	06ALL	3	15G	G14_053	TO->FROM	FPL SWITCH - WOODWARD 138KV CKT 1	133	153	0.04446	161.139	NORTHWEST - TATONGA7 345.00 345KV CKT 1
FDNS	06ALL	3	15G	G14_053	TO->FROM	FPL SWITCH - WOODWARD 138KV CKT 1	133	153	0.05347	159.4606	DBL-THIS-WWR
FDNS	06ALL	3	15G	G14_053	TO->FROM	FPL SWITCH - WOODWARD 138KV CKT 1	133	153	0.04446	157.7752	SPSCONT-05B
FDNS	06ALL	3	15G	G14_053	TO->FROM	FPL SWITCH - WOODWARD 138KV CKT 1	133	153	0.04446	157.1729	SPSCONT-04
FDNS	06ALL	3	15G	G14_053	TO->FROM	FPL SWITCH - WOODWARD 138KV CKT 1	133	153	0.04229	154.0712	DBL-THIS-WIC
FDNS	06ALL	3	15G	G14_053	TO->FROM	FPL SWITCH - WOODWARD 138KV CKT 1	133	153	0.05004	152.6468	LAWTON EASTSIDE - OKLAUNION 345KV CKT 1
FDNS	06ALL	3	15G	G14_053	TO->FROM	FPL SWITCH - WOODWARD 138KV CKT 1	133	153	0.04446	147.5252	G11_051T 345.00 - TATONGA7 345.00 345KV CKT 1
FDNS	06ALL	3	15G	G14_053	TO->FROM	FPL SWITCH - WOODWARD 138KV CKT 1	133	153	0.04446	146.2378	G11_051T 345.00 - WOODWARD DISTRICT EHV 345KV CKT 1
FDNS	06ALL	3	15G	G14_053	TO->FROM	FPL SWITCH - WOODWARD 138KV CKT 1	133	153	0.03171	143.417	WOODWARD (WOODWRD2) 138/69/13.2KV TRANSFORMER CKT 1
FDNS	06ALL	3	15G	G14_053	TO->FROM	FPL SWITCH - WOODWARD 138KV CKT 1	133	153	0.04446	143.0314	SPSCONT-05AX
FDNS	06ALL	3	15G	G14_053	TO->FROM	FPL SWITCH - WOODWARD 138KV CKT 1	133	153	0.03895	142.1867	ELK CITY 230KV - SWEETWATER 230KV CKT 1
FDNS	06ALL	3	15G	G14_053	TO->FROM	FPL SWITCH - WOODWARD 138KV CKT 1	133	153	0.03895	142.1522	ELK CITY 230KV (ELKCTY-6) 230/138/13.8KV TRANSFORMER CKT 1
FDNS	06ALL	3	15G	G14_053	TO->FROM	FPL SWITCH - WOODWARD 138KV CKT 1	133	153	0.05004	141.5408	SPSCONT-01
FDNS	06ALL	3	15G	G14_053	TO->FROM	FPL SWITCH - WOODWARD 138KV CKT 1	133	153	0.03913	139.7718	SPP-SWPS-03
FDNS	06ALL	3	15G	G14_053	TO->FROM	FPL SWITCH - WOODWARD 138KV CKT 1	133	153	0.05004	139.4068	OKLAUNION - TUCO INTERCHANGE 345KV CKT 1
FDNS	06ALL	3	15G	G14_053	TO->FROM	FPL SWITCH - WOODWARD 138KV CKT 1	133	153	0.04978	139.2189	SPP-SWPS-01
FDNS	06ALL	3	15G	G14_053	TO->FROM	FPL SWITCH - WOODWARD 138KV CKT 1	133	153	0.03895	138.5807	SPP-SWPS-02A
FDNS	06ALL	3	15G	G14_053	TO->FROM	FPL SWITCH - WOODWARD 138KV CKT 1	133	153	0.03895	138.419	GRAPEVINE INTERCHANGE - STATELINE INTERCHANGE 230KV CKT 1
FDNS	06ALL	3	15G	G14_053	TO->FROM	FPL SWITCH - WOODWARD 138KV CKT 1	133	153	0.03354	137.3554	IODINE - WOODWARD EHV 138KV CKT 1
FDNS	06ALL	3	15G	G14_053	TO->FROM	FPL SWITCH - WOODWARD 138KV CKT 1	133	153	0.03354	135.3142	DEWEY - IODINE 138KV CKT 1
FDNS	06ALL	3	15G	G14_053	TO->FROM	FPL SWITCH - WOODWARD 138KV CKT 1	133	153	0.03895	132.9488	STATELINE INTERCHANGE - STLN-DEMAR6 230KV CKT 1
FDNS	06ALL	3	15G	G14_053	TO->FROM	FPL SWITCH - WOODWARD 138KV CKT 1	133	153	0.03895	132.9455	SPP-SWPS-02
FDNS	06ALL	3	15G	G14_053	TO->FROM	FPL SWITCH - WOODWARD 138KV CKT 1	133	153	0.03895	132.9341	STLN-DEMAR6 - SWEETWATER 230KV CKT 1
FDNS	06ALL	3	15G	G14_053	TO->FROM	FPL SWITCH - WOODWARD 138KV CKT 1	133	153	0.03309	130.4008	GRAPEVINE INTERCHANGE - NICHOLS STATION 230KV CKT 1
FDNS	06ALL	3	15G	G14_053	TO->FROM	FPL SWITCH - WOODWARD 138KV CKT 1	133	153	0.03171	130.0269	WOODWARD - WOODWARD 69KV CKT 1
FDNS	06ALL	3	15G	G14_053	TO->FROM	FPL SWITCH - WOODWARD 138KV CKT 1	133	153	0.03453	126.1489	THISTLE7 345.00 - WOODWARD DISTRICT EHV 345KV CKT 1
FDNS	06ALL	3	15G	G14_053	TO->FROM	FPL SWITCH - WOODWARD 138KV CKT 1	133	153	0.03453	126.1489	THISTLE7 345.00 - WOODWARD DISTRICT EHV 345KV CKT 2
FDNS	06ALL	3	15G	G14_053	TO->FROM	FPL SWITCH - WOODWARD 138KV CKT 1	133	153	0.03337	124.4764	FINNEY SWITCHING STATION - HOLCOMB 345KV CKT 1
FDNS	06ALL	3	15G	G14_053	TO->FROM	FPL SWITCH - WOODWARD 138KV CKT 1	133	153	0.03148	124.1911	THISTLE7 345.00 - WICHITA 345KV CKT 1
FDNS	06ALL	3	15G	G14_053	TO->FROM	FPL SWITCH - WOODWARD 138KV CKT 1	133	153	0.03148	124.1911	THISTLE7 345.00 - WICHITA 345KV CKT 2
FDNS	06ALL	3	15G	G14_053	TO->FROM	FPL SWITCH - WOODWARD 138KV CKT 1	133	153	0.03337	123.2348	SPP-SWPS-05
FDNS	06ALL	3	15G	G14_053	TO->FROM	FPL SWITCH - WOODWARD 138KV CKT 1	133	153	0.03337	123.1767	FINNEY SWITCHING STATION - Hitchland Interchange 345KV CKT 1
FDNS	06ALL	3	15G	G14_053	TO->FROM	FPL SWITCH - WOODWARD 138KV CKT 1	133	153	0.03084	120.7358	ELLIS 4 138.00 - RED HILLS WIND 138KV CKT 1
FDNS	06ALL	3	15G	G14_053	TO->FROM	FPL SWITCH - WOODWARD 138KV CKT 1	133	153	0.03084	118.208	ELLIS 4 138.00 - MOREWOOD SW 138KV CKT 1

SOLUTION	GROUP	SCENARIO	SEASON	SOURCE	DIRECTION	MONITORED ELEMENT	RATEA (MVA)	RATEB (MVA)	TDF	TC%LOADING (% MVA)	CONTINGENCY
FDNS	06ALL	3	15SP	G14_053	TO->FROM	FPL SWITCH - WOODWARD 138KV CKT 1	133	153	0.05687	111.727	DBL-THIS-WWR
FDNS	06ALL	3	15G	G14_053	TO->FROM	FPL SWITCH - WOODWARD 138KV CKT 1	133	153	0.03084	106.2134	ELK CITY - RED HILLS WIND 138KV CKT 1
FDNS	06ALL	3	15SP	G14_053	TO->FROM	FPL SWITCH - WOODWARD 138KV CKT 1	133	153	0.04756	105.3474	NORTHWEST - TATONGA7 345.00 345KV CKT 1
FDNS	06ALL	3	15SP	G14_053	TO->FROM	FPL SWITCH - WOODWARD 138KV CKT 1	133	153	0.05314	104.763	LAWTON EASTSIDE - OKLAUNION 345KV CKT 1
FDNS	06ALL	3	15SP	G14_053	TO->FROM	FPL SWITCH - WOODWARD 138KV CKT 1	133	153	0.04756	102.5806	SPSCONT-05B
FDNS	06ALL	3	15SP	G14_053	TO->FROM	FPL SWITCH - WOODWARD 138KV CKT 1	133	153	0.04756	101.4405	SPSCONT-04
FDNS	06ALL	3	15SP	G14_053	TO->FROM	FPL SWITCH - WOODWARD 138KV CKT 1	133	153	0.04539	100.7966	DBL-THIS-WIC
FDNS	06ALL	3	15SP	G14_053	TO->FROM	FPL SWITCH - WOODWARD 138KV CKT 1	133	153	0.03519	97.7	WOODWARD (WOODWRD2) 138/69/13.2KV TRANSFORMER CKT 1
FDNS	06ALL	3	20WP	G14_053	TO->FROM	FPL SWITCH - WOODWARD 138KV CKT 1	171	185	0.05067	96.7	NORTHWEST - TATONGA7 345.00 345KV CKT 1
FDNS	06ALL	3	20WP	G14_053	TO->FROM	FPL SWITCH - WOODWARD 138KV CKT 1	171	185	0.06039	96	DBL-THIS-WWR
FDNS	06ALL	3	15G	G14_053	TO->FROM	GRAPEVINE INTERCHANGE - NICHOLS STATION 230KV CKT 1	319	351	0.09395	104.2251	LAWTON EASTSIDE - OKLAUNION 345KV CKT 1
FDNS	06ALL	3	20WP	G14_053	TO->FROM	GRAPEVINE INTERCHANGE - NICHOLS STATION 230KV CKT 1	329	361	0.12619	102.6177	LAWTON EASTSIDE - OKLAUNION 345KV CKT 1
FDNS	06ALL	3	15SP	G14_053	TO->FROM	GRAPEVINE INTERCHANGE - NICHOLS STATION 230KV CKT 1	319	351	0.09548	99.55151	LAWTON EASTSIDE - OKLAUNION 345KV CKT 1
FDNS	06ALL	3	15G	G14_053	FROM->TO	GRAPEVINE INTERCHANGE - STATELINE INTERCHANGE 230KV CKT 1	319	351	0.10447	96.19302	LAWTON EASTSIDE - OKLAUNION 345KV CKT 1
FDNS	06ALL	3	15G	G14_053	FROM->TO	HARPER - MILAN TAP 138KV CKT 1	138	143	0.03158	116.387	DBL-THIS-WIC
FDNS	06ALL	3	15SP	G14_053	FROM->TO	HARPER - MILAN TAP 138KV CKT 1	127	136	0.03182	104.4151	DBL-THIS-WIC
FDNS	06ALL	3	15WP	G14_053	FROM->TO	HARPER - MILAN TAP 138KV CKT 1	143	143	0.03184	102.7046	DBL-THIS-WIC
FDNS	06ALL	3	15SP	G14_053	TO->FROM	PLANT X STATION - TOLK STATION EAST 230KV CKT 2	478	502	0.07394	129.4925	PLANT X STATION - TOLK STATION WEST 230KV CKT 1
FDNS	06ALL	3	15G	G14_053	TO->FROM	PLANT X STATION - TOLK STATION EAST 230KV CKT 2	478	502	0.05659	106.1344	SPP-SWPS-06
FDNS	06ALL	3	15G	G14_053	TO->FROM	PLANT X STATION - TOLK STATION EAST 230KV CKT 2	478	502	0.0734	100.1644	PLANT X STATION - TOLK STATION WEST 230KV CKT 1
FDNS	06ALL	3	15WP	G14_053	TO->FROM	PLANT X STATION - TOLK STATION EAST 230KV CKT 2	557	557	0.07191	99.6	PLANT X STATION - TOLK STATION WEST 230KV CKT 1
FDNS	06ALL	3	20SP	G14_053	TO->FROM	PLANT X STATION - TOLK STATION EAST 230KV CKT 2	478	502	0.06377	96.2	PLANT X STATION - TOLK STATION WEST 230KV CKT 1
FDNS	06ALL	3	15SP	G14_053	TO->FROM	PLANT X STATION - TOLK STATION WEST 230KV CKT 1	478	502	0.07445	130.4861	PLANT X STATION - TOLK STATION EAST 230KV CKT 2
FDNS	06ALL	3	15G	G14_053	TO->FROM	PLANT X STATION - TOLK STATION WEST 230KV CKT 1	478	502	0.07392	100.9378	PLANT X STATION - TOLK STATION EAST 230KV CKT 2
FDNS	06ALL	3	15WP	G14_053	TO->FROM	PLANT X STATION - TOLK STATION WEST 230KV CKT 1	557	557	0.07242	100.422	PLANT X STATION - TOLK STATION EAST 230KV CKT 2
FDNS	06ALL	3	20SP	G14_053	TO->FROM	PLANT X STATION - TOLK STATION WEST 230KV CKT 1	478	502	0.06429	97	PLANT X STATION - TOLK STATION EAST 230KV CKT 2
FDNS	06ALL	3	25SP	G14_053	FROM->TO	WOLFFORTH INTERCHANGE (WH 7001668) 230/115/13.2KV TRANSFORMER CKT 1	120	154	0.06131	112.3965	CARLISLE INTERCHANGE (CARLISLE_XF) 230/115/13.2KV TRANSFORMER CKT 1
FDNS	06ALL	3	25SP	G14_053	FROM->TO	WOLFFORTH INTERCHANGE (WH 7001668) 230/115/13.2KV TRANSFORMER CKT 1	120	154	0.04283	111.6547	CARLISLE INTERCHANGE - LP-DOUD_TP 3115.00 115KV CKT 1
FDNS	06ALL	3	25SP	G14_053	FROM->TO	WOLFFORTH INTERCHANGE (WH 7001668) 230/115/13.2KV TRANSFORMER CKT 1	120	154	0.04283	106.924	CARLISLE INTERCHANGE - LP-DOUD_TP 3115.00 115KV CKT 1
FDNS	06ALL	3	25SP	G14_053	FROM->TO	WOLFFORTH INTERCHANGE (WH 7001668) 230/115/13.2KV TRANSFORMER CKT 1	120	154	0.06131	106.773	CARLISLE INTERCHANGE (CARLISLE_XF) 230/115/13.2KV TRANSFORMER CKT 1
FDNS	06ALL	3	25SP	G14_053	FROM->TO	WOLFFORTH INTERCHANGE (WH 7001668) 230/115/13.2KV TRANSFORMER CKT 1	120	154	0.06266	100.1136	SUNDOWN INTERCHANGE - WOLFFORTH INTERCHANGE 230KV CKT 1
FDNS	06ALL	3	25SP	G14_053	FROM->TO	WOLFFORTH INTERCHANGE (WH 7001668) 230/115/13.2KV TRANSFORMER CKT 1	120	154	0.04283	97	LP-DOUD_TP 3115.00 - SP-WOLF_TP 3115.00 115KV CKT 1
FDNS	06ALL	3	20SP	G14_053	FROM->TO	WOLFFORTH INTERCHANGE (WH 7001668) 230/115/13.2KV TRANSFORMER CKT 1	120	154	0.06135	96	CARLISLE INTERCHANGE (CARLISLE_XF) 230/115/13.2KV TRANSFORMER CKT 1
FDNS	06ALL	3	25SP	G14_053	FROM->TO	WOLFFORTH INTERCHANGE (WH 7001668) 230/115/13.2KV TRANSFORMER CKT 1	120	154	0.06266	95.1	SUNDOWN INTERCHANGE - WOLFFORTH INTERCHANGE 230KV CKT 1
FDNS	06ALL	4	15G	G14_053	FROM->TO	CLEARWATER - GILL ENERGY CENTER WEST 138KV CKT 1	143	143	0.03158	100.3353	DBL-THIS-WIC
FDNS	06ALL	4	15G	G14_053	TO->FROM	CLEARWATER - MILAN TAP 138KV CKT 1	110	110	0.03158	139.9081	DBL-THIS-WIC
FDNS	06ALL	4	20WP	G14_053	TO->FROM	CLEARWATER - MILAN TAP 138KV CKT 1	110	110	0.0324	108.5249	DBL-THIS-WIC
FDNS	06ALL	4	15WP	G14_053	TO->FROM	CLEARWATER - MILAN TAP 138KV CKT 1	110	110	0.03184	106.1126	DBL-THIS-WIC
FDNS	06ALL	4	15SP	G14_053	TO->FROM	CLEARWATER - MILAN TAP 138KV CKT 1	110	110	0.03182	99.9	DBL-THIS-WIC
FDNS	06ALL	4	20SP	G14_053	FROM->TO	CURRY COUNTY INTERCHANGE - DEAF SMITH REC-#20 115KV CKT 1	96	96	0.03083	104.6276	DEAF SMITH COUNTY INTERCHANGE - PLANT X STATION 230KV CKT 1
FDNS	06ALL	4	15SP	G14_053	TO->FROM	DEAF SMITH COUNTY INTERCHANGE - PLANT X STATION 230KV CKT 1	319	351	0.12639	109.4404	LAWTON EASTSIDE - OKLAUNION 345KV CKT 1
FDNS	06ALL	4	15SP	G14_053	TO->FROM	DEAF SMITH COUNTY INTERCHANGE - PLANT X STATION 230KV CKT 1	319	351	0.10117	96.9	NEWHART 230 - PLANT X STATION 230KV CKT 1
FDNS	06ALL	4	15SP	G14_053	TO->FROM	DEAF SMITH COUNTY INTERCHANGE - PLANT X STATION 230KV CKT 1	319	351	0.12785	96.2	SPP-SWPS-01
FDNS	06ALL	4	15SP	G14_053	TO->FROM	DEAF SMITH COUNTY INTERCHANGE - PLANT X STATION 230KV CKT 1	319	351	0.12639	96	SPSCONT-01
FDNS	06ALL	4	15SP	G14_053	TO->FROM	DEAF SMITH COUNTY INTERCHANGE - PLANT X STATION 230KV CKT 1	319	351	0.12639	95.8	OKLAUNION - TUCO INTERCHANGE 345KV CKT 1
FDNS	06ALL	4	15G	G14_053	FROM->TO	ELK CITY 230KV (ELKCTY-6) 230/138/13.8KV TRANSFORMER CKT 1	287	316	0.10447	106.8002	LAWTON EASTSIDE - OKLAUNION 345KV CKT 1
FDNS	06ALL	4	15G	G14_053	FROM->TO	ELK CITY 230KV (ELKCTY-6) 230/138/13.8KV TRANSFORMER CKT 1	287	316	0.10447	104.9708	LAWTON EASTSIDE - OKLAUNION 345KV CKT 1
FDNS	06ALL	4	15SP	G14_053	FROM->TO	ELK CITY 230KV (ELKCTY-6) 230/138/13.8KV TRANSFORMER CKT 1	272	316	0.11206	100.0245	LAWTON EASTSIDE - OKLAUNION 345KV CKT 1
FDNS	06ALL	4	15WP	G14_053	FROM->TO	ELK CITY 230KV (ELKCTY-6) 230/138/13.8KV TRANSFORMER CKT 1	287	316	0.11554	99.80477	LAWTON EASTSIDE - OKLAUNION 345KV CKT 1
FDNS	06ALL	4	15SP	G14_053	FROM->TO	ELK CITY 230KV (ELKCTY-6) 230/138/13.8KV TRANSFORMER CKT 1	272	316	0.11206	98.59045	LAWTON EASTSIDE - OKLAUNION 345KV CKT 1
FDNS	06ALL	4	15WP	G14_053	FROM->TO	ELK CITY 230KV (ELKCTY-6) 230/138/13.8KV TRANSFORMER CKT 1	287	316	0.11554	98.40416	LAWTON EASTSIDE - OKLAUNION 345KV CKT 1
FDNS	06ALL	4	15G	G14_053	FROM->TO	ELK CITY 230KV (ELKCTY-6) 230/138/13.8KV TRANSFORMER CKT 1	287	316	0.10447	97.5	SPSCONT-01
FDNS	06ALL	4	15G	G14_053	FROM->TO	ELK CITY 230KV (ELKCTY-6) 230/138/13.8KV TRANSFORMER CKT 1	287	316	0.10525	96.7	SPP-SWPS-01
FDNS-CHECK-TC-Iteration Limit Exceeded.	06ALL	4	15G	G14_053	FROM->TO	ELK CITY 230KV (ELKCTY-6) 230/138/13.8KV TRANSFORMER CKT 1	287	316	0.0782	96.7	DBL-G1114-WW
FDNS	06ALL	4	15G	G14_053	FROM->TO	ELK CITY 230KV (ELKCTY-6) 230/138/13.8KV TRANSFORMER CKT 1	287	316	0.10447	96.5	SPSCONT-01
FDNS	06ALL	4	15G	G14_053	FROM->TO	ELK CITY 230KV (ELKCTY-6) 230/138/13.8KV TRANSFORMER CKT 1	287	316	0.10447	96.4	OKLAUNION - TUCO INTERCHANGE 345KV CKT 1
FDNS	06ALL	4	15G	G14_053	FROM->TO	ELK CITY 230KV (ELKCTY-6) 230/138/13.8KV TRANSFORMER CKT 1	287	316	0.0782	95.6	DBL-BVR-G111
FDNS-CHECK-TC-Iteration Limit Exceeded.	06ALL	4	15G	G14_053	FROM->TO	ELK CITY 230KV (ELKCTY-6) 230/138/13.8KV TRANSFORMER CKT 1	287	316	0.0782	95.6	DBL-G1114-WW
FDNS	06ALL	4	15G	G14_053	FROM->TO	ELK CITY 230KV (ELKCTY-6) 230/138/13.8KV TRANSFORMER CKT 1	287	316	0.10525	95.5	SPP-SWPS-01
FDNS	06ALL	4	15G	G14_053	FROM->TO	ELK CITY 230KV (ELKCTY-6) 230/138/13.8KV TRANSFORMER CKT 1	287	316	0.10447	95.3	OKLAUNION - TUCO INTERCHANGE 345KV CKT 1
FDNS	06ALL	4	15SP	G14_053	TO->FROM	FLATRDG3 - THISTLE4 138.00 138KV CKT 1	286	286	0.04653	98.1	DBL-THIS-WIC
FDNS	06ALL	4	15G	G14_053	TO->FROM	FPL SWITCH - WOODWARD 138KV CKT 1	133	153	0.04446	161.139	NORTHWEST - TATONGA7 345.00 345KV CKT 1

SOLUTION	GROUP	SCENARIO	SEASON	SOURCE	DIRECTION	MONITORED ELEMENT	RATEA (MVA)	RATEB(MVA)	TDF	TC%LOADING (% MVA)	CONTINGENCY
FDNS	06ALL	4	15G	G14_053	TO->FROM	FPL SWITCH - WOODWARD 138KV CKT 1	133	153	0.05347	159.4606	DBL-THIS-WWR
FDNS	06ALL	4	15G	G14_053	TO->FROM	FPL SWITCH - WOODWARD 138KV CKT 1	133	153	0.04446	157.7752	SPSCONT-05B
FDNS	06ALL	4	15G	G14_053	TO->FROM	FPL SWITCH - WOODWARD 138KV CKT 1	133	153	0.04446	157.1729	SPSCONT-04
FDNS	06ALL	4	15G	G14_053	TO->FROM	FPL SWITCH - WOODWARD 138KV CKT 1	133	153	0.04229	154.0712	DBL-THIS-WIC
FDNS	06ALL	4	15G	G14_053	TO->FROM	FPL SWITCH - WOODWARD 138KV CKT 1	133	153	0.05004	152.6468	LAWTON EASTSIDE - OKLAUNION 345KV CKT 1
FDNS	06ALL	4	15G	G14_053	TO->FROM	FPL SWITCH - WOODWARD 138KV CKT 1	133	153	0.04446	147.5252	G11_051T 345.00 - TATONGA7 345.00 345KV CKT 1
FDNS	06ALL	4	15G	G14_053	TO->FROM	FPL SWITCH - WOODWARD 138KV CKT 1	133	153	0.04446	146.2378	G11_051T 345.00 - WOODWARD DISTRICT EHV 345KV CKT 1
FDNS	06ALL	4	15G	G14_053	TO->FROM	FPL SWITCH - WOODWARD 138KV CKT 1	133	153	0.03171	143.417	WOODWARD (WOODWRD2) 138/69/13.2KV TRANSFORMER CKT 1
FDNS	06ALL	4	15G	G14_053	TO->FROM	FPL SWITCH - WOODWARD 138KV CKT 1	133	153	0.04446	143.0315	SPSCONT-05AX
FDNS	06ALL	4	15G	G14_053	TO->FROM	FPL SWITCH - WOODWARD 138KV CKT 1	133	153	0.03895	142.1867	ELK CITY 230KV - SWEETWATER 230KV CKT 1
FDNS	06ALL	4	15G	G14_053	TO->FROM	FPL SWITCH - WOODWARD 138KV CKT 1	133	153	0.03895	142.1522	ELK CITY 230KV (ELKCTY-6) 230/138/13.8KV TRANSFORMER CKT 1
FDNS	06ALL	4	15G	G14_053	TO->FROM	FPL SWITCH - WOODWARD 138KV CKT 1	133	153	0.05004	141.5408	SPSCONT-01
FDNS	06ALL	4	15G	G14_053	TO->FROM	FPL SWITCH - WOODWARD 138KV CKT 1	133	153	0.03913	139.7718	SPP-SWPS-03
FDNS	06ALL	4	15G	G14_053	TO->FROM	FPL SWITCH - WOODWARD 138KV CKT 1	133	153	0.05004	139.4068	OKLAUNION - TUCO INTERCHANGE 345KV CKT 1
FDNS	06ALL	4	15G	G14_053	TO->FROM	FPL SWITCH - WOODWARD 138KV CKT 1	133	153	0.04978	139.2189	SPP-SWPS-01
FDNS	06ALL	4	15G	G14_053	TO->FROM	FPL SWITCH - WOODWARD 138KV CKT 1	133	153	0.03895	138.5807	SPP-SWPS-02A
FDNS	06ALL	4	15G	G14_053	TO->FROM	FPL SWITCH - WOODWARD 138KV CKT 1	133	153	0.03895	138.419	GRAPEVINE INTERCHANGE - STATELINE INTERCHANGE 230KV CKT 1
FDNS	06ALL	4	15G	G14_053	TO->FROM	FPL SWITCH - WOODWARD 138KV CKT 1	133	153	0.03354	137.3554	IODINE - WOODWARD EHV 138KV CKT 1
FDNS	06ALL	4	15G	G14_053	TO->FROM	FPL SWITCH - WOODWARD 138KV CKT 1	133	153	0.03354	135.3142	DEWEY - IODINE 138KV CKT 1
FDNS	06ALL	4	15G	G14_053	TO->FROM	FPL SWITCH - WOODWARD 138KV CKT 1	133	153	0.03895	132.9488	STATELINE INTERCHANGE - STLN-DEMARC6 230KV CKT 1
FDNS	06ALL	4	15G	G14_053	TO->FROM	FPL SWITCH - WOODWARD 138KV CKT 1	133	153	0.03895	132.9455	SPP-SWPS-02
FDNS	06ALL	4	15G	G14_053	TO->FROM	FPL SWITCH - WOODWARD 138KV CKT 1	133	153	0.03895	132.9341	STLN-DEMARC6 - SWEETWATER 230KV CKT 1
FDNS	06ALL	4	15G	G14_053	TO->FROM	FPL SWITCH - WOODWARD 138KV CKT 1	133	153	0.03309	130.4008	GRAPEVINE INTERCHANGE - NICHOLS STATION 230KV CKT 1
FDNS	06ALL	4	15G	G14_053	TO->FROM	FPL SWITCH - WOODWARD 138KV CKT 1	133	153	0.03171	130.0269	WOODWARD - WOODWARD 69KV CKT 1
FDNS	06ALL	4	15G	G14_053	TO->FROM	FPL SWITCH - WOODWARD 138KV CKT 1	133	153	0.03453	126.1489	THISTLE7 345.00 - WOODWARD DISTRICT EHV 345KV CKT 1
FDNS	06ALL	4	15G	G14_053	TO->FROM	FPL SWITCH - WOODWARD 138KV CKT 1	133	153	0.03453	126.1489	THISTLE7 345.00 - WOODWARD DISTRICT EHV 345KV CKT 2
FDNS	06ALL	4	15G	G14_053	TO->FROM	FPL SWITCH - WOODWARD 138KV CKT 1	133	153	0.03337	124.4764	FINNEY SWITCHING STATION - HOLCOMB 345KV CKT 1
FDNS	06ALL	4	15G	G14_053	TO->FROM	FPL SWITCH - WOODWARD 138KV CKT 1	133	153	0.03148	124.1911	THISTLE7 345.00 - WICHITA 345KV CKT 1
FDNS	06ALL	4	15G	G14_053	TO->FROM	FPL SWITCH - WOODWARD 138KV CKT 1	133	153	0.03148	124.1911	THISTLE7 345.00 - WICHITA 345KV CKT 2
FDNS	06ALL	4	15G	G14_053	TO->FROM	FPL SWITCH - WOODWARD 138KV CKT 1	133	153	0.03337	123.2349	SPP-SWPS-05
FDNS	06ALL	4	15G	G14_053	TO->FROM	FPL SWITCH - WOODWARD 138KV CKT 1	133	153	0.03337	123.1767	FINNEY SWITCHING STATION - Hitchland Interchange 345KV CKT 1
FDNS	06ALL	4	15G	G14_053	TO->FROM	FPL SWITCH - WOODWARD 138KV CKT 1	133	153	0.03084	120.7359	ELLIS 4 138.00 - RED HILLS WIND 138KV CKT 1
FDNS	06ALL	4	15G	G14_053	TO->FROM	FPL SWITCH - WOODWARD 138KV CKT 1	133	153	0.03084	118.208	ELLIS 4 138.00 - MOREWOOD SW 138KV CKT 1
FDNS	06ALL	4	15SP	G14_053	TO->FROM	FPL SWITCH - WOODWARD 138KV CKT 1	133	153	0.05687	111.727	DBL-THIS-WWR
FDNS	06ALL	4	15G	G14_053	TO->FROM	FPL SWITCH - WOODWARD 138KV CKT 1	133	153	0.03084	106.2134	ELK CITY - RED HILLS WIND 138KV CKT 1
FDNS	06ALL	4	15SP	G14_053	TO->FROM	FPL SWITCH - WOODWARD 138KV CKT 1	133	153	0.04756	105.3474	NORTHWEST - TATONGA7 345.00 345KV CKT 1
FDNS	06ALL	4	15SP	G14_053	TO->FROM	FPL SWITCH - WOODWARD 138KV CKT 1	133	153	0.05314	104.7642	LAWTON EASTSIDE - OKLAUNION 345KV CKT 1
FDNS	06ALL	4	15SP	G14_053	TO->FROM	FPL SWITCH - WOODWARD 138KV CKT 1	133	153	0.04756	102.5806	SPSCONT-05B
FDNS	06ALL	4	15SP	G14_053	TO->FROM	FPL SWITCH - WOODWARD 138KV CKT 1	133	153	0.04756	101.4405	SPSCONT-04
FDNS	06ALL	4	15SP	G14_053	TO->FROM	FPL SWITCH - WOODWARD 138KV CKT 1	133	153	0.04539	100.7966	DBL-THIS-WIC
FDNS	06ALL	4	15SP	G14_053	TO->FROM	FPL SWITCH - WOODWARD 138KV CKT 1	133	153	0.03519	97.7	WOODWARD (WOODWRD2) 138/69/13.2KV TRANSFORMER CKT 1
FDNS	06ALL	4	20WP	G14_053	TO->FROM	FPL SWITCH - WOODWARD 138KV CKT 1	171	185	0.05067	96.7	NORTHWEST - TATONGA7 345.00 345KV CKT 1
FDNS	06ALL	4	20WP	G14_053	TO->FROM	FPL SWITCH - WOODWARD 138KV CKT 1	171	185	0.06039	96	DBL-THIS-WWR
FDNS	06ALL	4	15G	G14_053	TO->FROM	GRAPEVINE INTERCHANGE - NICHOLS STATION 230KV CKT 1	319	351	0.09395	104.2251	LAWTON EASTSIDE - OKLAUNION 345KV CKT 1
FDNS	06ALL	4	20WP	G14_053	TO->FROM	GRAPEVINE INTERCHANGE - NICHOLS STATION 230KV CKT 1	329	361	0.12619	102.6177	LAWTON EASTSIDE - OKLAUNION 345KV CKT 1
FDNS	06ALL	4	15SP	G14_053	TO->FROM	GRAPEVINE INTERCHANGE - NICHOLS STATION 230KV CKT 1	319	351	0.09548	99.55219	LAWTON EASTSIDE - OKLAUNION 345KV CKT 1
FDNS	06ALL	4	15G	G14_053	FROM->TO	GRAPEVINE INTERCHANGE - STATELINE INTERCHANGE 230KV CKT 1	319	351	0.10447	96.19302	LAWTON EASTSIDE - OKLAUNION 345KV CKT 1
FDNS	06ALL	4	15G	G14_053	FROM->TO	HARPER - MILAN TAP 138KV CKT 1	138	143	0.03158	116.387	DBL-THIS-WIC
FDNS	06ALL	4	15SP	G14_053	FROM->TO	HARPER - MILAN TAP 138KV CKT 1	127	136	0.03182	104.4151	DBL-THIS-WIC
FDNS	06ALL	4	15WP	G14_053	FROM->TO	HARPER - MILAN TAP 138KV CKT 1	143	143	0.03184	102.7046	DBL-THIS-WIC
FDNS	06ALL	4	25SP	G14_053	FROM->TO	WOLFFORTH INTERCHANGE (WH 7001668) 230/115/13.2KV TRANSFORMER CKT 1	120	154	0.06131	112.3965	CARLISLE INTERCHANGE (CARLISLE_XF) 230/115/13.2KV TRANSFORMER CKT 1
FDNS	06ALL	4	25SP	G14_053	FROM->TO	WOLFFORTH INTERCHANGE (WH 7001668) 230/115/13.2KV TRANSFORMER CKT 1	120	154	0.04283	111.6547	CARLISLE INTERCHANGE - LP-DOUD_TP 3115.00 115KV CKT 1
FDNS	06ALL	4	25SP	G14_053	FROM->TO	WOLFFORTH INTERCHANGE (WH 7001668) 230/115/13.2KV TRANSFORMER CKT 1	120	154	0.04283	106.924	CARLISLE INTERCHANGE - LP-DOUD_TP 3115.00 115KV CKT 1
FDNS	06ALL	4	25SP	G14_053	FROM->TO	WOLFFORTH INTERCHANGE (WH 7001668) 230/115/13.2KV TRANSFORMER CKT 1	120	154	0.06131	106.773	CARLISLE INTERCHANGE (CARLISLE_XF) 230/115/13.2KV TRANSFORMER CKT 1
FDNS	06ALL	4	25SP	G14_053	FROM->TO	WOLFFORTH INTERCHANGE (WH 7001668) 230/115/13.2KV TRANSFORMER CKT 1	120	154	0.06266	100.1136	SUNDOWN INTERCHANGE - WOLFFORTH INTERCHANGE 230KV CKT 1
FDNS	06ALL	4	25SP	G14_053	FROM->TO	WOLFFORTH INTERCHANGE (WH 7001668) 230/115/13.2KV TRANSFORMER CKT 1	120	154	0.04283	97	LP-DOUD_TP 3115.00 - SP-WOLF_TP 3115.00 115KV CKT 1
FDNS	06ALL	4	20SP	G14_053	FROM->TO	WOLFFORTH INTERCHANGE (WH 7001668) 230/115/13.2KV TRANSFORMER CKT 1	120	154	0.06135	96	CARLISLE INTERCHANGE (CARLISLE_XF) 230/115/13.2KV TRANSFORMER CKT 1
FDNS	06ALL	4	25SP	G14_053	FROM->TO	WOLFFORTH INTERCHANGE (WH 7001668) 230/115/13.2KV TRANSFORMER CKT 1	120	154	0.06266	95.1	SUNDOWN INTERCHANGE - WOLFFORTH INTERCHANGE 230KV CKT 1
FDNS	06ALL	0	25SP	G14_054	FROM->TO	CARLISLE INTERCHANGE (WH XHS70711) 230/115/13.2KV TRANSFORMER CKT 1	168	168	0.10652	112.7927	ALLEN SUB - LUBBOCK SOUTH INTERCHANGE 115KV CKT 1
FDNS	06ALL	0	25SP	G14_054	FROM->TO	CARLISLE INTERCHANGE (WH XHS70711) 230/115/13.2KV TRANSFORMER CKT 1	168	168	0.12688	109.814	WOLFFORTH INTERCHANGE (WH 7001668) 230/115/13.2KV TRANSFORMER CKT 1
FDNS	06ALL	0	25SP	G14_054	FROM->TO	CARLISLE INTERCHANGE (WH XHS70711) 230/115/13.2KV TRANSFORMER CKT 1	168	168	0.10652	109.1663	ALLEN SUB - LUBBOCK SOUTH INTERCHANGE 115KV CKT 1
FDNS	06ALL	0	25SP	G14_054	FROM->TO	CARLISLE INTERCHANGE (WH XHS70711) 230/115/13.2KV TRANSFORMER CKT 1	168	168	0.12688	104.8279	WOLFFORTH INTERCHANGE (WH 7001668) 230/115/13.2KV TRANSFORMER CKT 1
FDNS	06ALL	0	20SP	G14_054	FROM->TO	CARLISLE INTERCHANGE (WH XHS70711) 230/115/13.2KV TRANSFORMER CKT 1	168	168	0.10655	99.5	ALLEN SUB - LUBBOCK SOUTH INTERCHANGE 115KV CKT 1
FDNS	06ALL	0	25SP	G14_054	FROM->TO	CARLISLE INTERCHANGE (WH XHS70711) 230/115/13.2KV TRANSFORMER CKT 1	168	168	0.10652	98.1	ALLEN SUB - SOUTH PLAINS REC-QUAKER 115KV CKT 1
FDNS	06ALL	0	20SP	G14_054	FROM->TO	CARLISLE INTERCHANGE (WH XHS70711) 230/115/13.2KV TRANSFORMER CKT 1	168	168	0.10655	97.3	ALLEN SUB - LUBBOCK SOUTH INTERCHANGE 115KV CKT 1
FDNS	06ALL	0	25SP	G14_054	FROM->TO	CARLISLE INTERCHANGE (WH XHS70711) 230/115/13.2KV TRANSFORMER CKT 1	168	168	0.09316	97.3	STANTON SUB - TUCO INTERCHANGE 115KV CKT 1
FDNS	06ALL	0	20SP	G14_054	FROM->TO	CARLISLE INTERCHANGE (WH XHS70711) 230/115/13.2KV TRANSFORMER CKT 1	168	168	0.12693	95.9	WOLFFORTH INTERCHANGE (WH 7001668) 230/115/13.2KV TRANSFORMER CKT 1
FDNS	06ALL	0	25SP	G14_054	FROM->TO	CARLISLE INTERCHANGE (WH XHS70711) 230/115/13.2KV TRANSFORMER CKT 1	168	168	0.10652	95.9	ALLEN SUB - SOUTH PLAINS REC-QUAKER 115KV CKT 1
FDNS	06ALL	0	15G	G14_054	FROM->TO	CLEARWATER - GILL ENERGY CENTER WEST 138KV CKT 1	143	143	0.03166	100.5453	DBL-THIS-WIC
FDNS	06ALL	0	15G	G14_054	TO->FROM	CLEARWATER - MILAN TAP 138KV CKT 1	110	110	0.03166	140.1877	DBL-THIS-WIC
FDNS	06ALL	0	20WP	G14_054	TO->FROM	CLEARWATER - MILAN TAP 138KV CKT 1	110	110	0.03245	108.6601	DBL-THIS-WIC
FDNS	06ALL	0	15WP	G14_054	TO->FROM	CLEARWATER - MILAN TAP 138KV CKT 1	110	110	0.03192	106.268	DBL-THIS-WIC

SOLUTION	GROUP	SCENARIO	SEASON	SOURCE	DIRECTION	MONITORED ELEMENT	RATEA (MVA)	RATEB(MVA)	TC%LOADING TDF (% MVA)	CONTINGENCY	
FDNS	06ALL	0	15SP	G14_054	TO->FROM	CLEARWATER - MILAN TAP 138KV CKT 1	110	110	0.03191	100.0707	DBL-THIS-WIC
FDNS	06ALL	0	20SP	G14_054	FROM->TO	CURRY COUNTY INTERCHANGE - DEAF SMITH REC-#20 115KV CKT 1	96	96	0.03088	106.7874	DEAF SMITH COUNTY INTERCHANGE - PLANT X STATION 230KV CKT 1
FDNS	06ALL	0	25SP	G14_054	FROM->TO	CURRY COUNTY INTERCHANGE - DEAF SMITH REC-#20 115KV CKT 1	96	96	0.03129	95.6	DEAF SMITH COUNTY INTERCHANGE - PLANT X STATION 230KV CKT 1
FDNS	06ALL	0	15SP	G14_054	TO->FROM	DEAF SMITH COUNTY INTERCHANGE - PLANT X STATION 230KV CKT 1	319	351	0.12673	109.7585	LAWTON EASTSIDE - OKLAUNION 345KV CKT 1
FDNS	06ALL	0	15SP	G14_054	TO->FROM	DEAF SMITH COUNTY INTERCHANGE - PLANT X STATION 230KV CKT 1	319	351	0.10215	97.5	NEWHART 230 - PLANT X STATION 230KV CKT 1
FDNS	06ALL	0	15SP	G14_054	TO->FROM	DEAF SMITH COUNTY INTERCHANGE - PLANT X STATION 230KV CKT 1	319	351	0.1298	96.9	SPP-SWPS-01
FDNS	06ALL	0	15SP	G14_054	TO->FROM	DEAF SMITH COUNTY INTERCHANGE - PLANT X STATION 230KV CKT 1	319	351	0.12673	96.3	SPSCONT-01
FDNS	06ALL	0	15SP	G14_054	TO->FROM	DEAF SMITH COUNTY INTERCHANGE - PLANT X STATION 230KV CKT 1	319	351	0.12673	96.1	OKLAUNION - TUCO INTERCHANGE 345KV CKT 1
FDNS	06ALL	0	15G	G14_054	FROM->TO	ELK CITY 230KV (ELKCTY-6) 230/138/13.8KV TRANSFORMER CKT 1	287	316	0.10493	107.0627	LAWTON EASTSIDE - OKLAUNION 345KV CKT 1
FDNS	06ALL	0	15G	G14_054	FROM->TO	ELK CITY 230KV (ELKCTY-6) 230/138/13.8KV TRANSFORMER CKT 1	287	316	0.10493	105.2129	LAWTON EASTSIDE - OKLAUNION 345KV CKT 1
FDNS	06ALL	0	15SP	G14_054	FROM->TO	ELK CITY 230KV (ELKCTY-6) 230/138/13.8KV TRANSFORMER CKT 1	272	316	0.11261	100.158	LAWTON EASTSIDE - OKLAUNION 345KV CKT 1
FDNS	06ALL	0	15WP	G14_054	FROM->TO	ELK CITY 230KV (ELKCTY-6) 230/138/13.8KV TRANSFORMER CKT 1	287	316	0.11607	100.0101	LAWTON EASTSIDE - OKLAUNION 345KV CKT 1
FDNS	06ALL	0	15SP	G14_054	FROM->TO	ELK CITY 230KV (ELKCTY-6) 230/138/13.8KV TRANSFORMER CKT 1	272	316	0.11261	98.72061	LAWTON EASTSIDE - OKLAUNION 345KV CKT 1
FDNS	06ALL	0	15WP	G14_054	FROM->TO	ELK CITY 230KV (ELKCTY-6) 230/138/13.8KV TRANSFORMER CKT 1	287	316	0.11607	98.59541	LAWTON EASTSIDE - OKLAUNION 345KV CKT 1
FDNS	06ALL	0	15G	G14_054	FROM->TO	ELK CITY 230KV (ELKCTY-6) 230/138/13.8KV TRANSFORMER CKT 1	287	316	0.08046	98.1	DBL-G1114-WW
FDNS	06ALL	0	15G	G14_054	FROM->TO	ELK CITY 230KV (ELKCTY-6) 230/138/13.8KV TRANSFORMER CKT 1	287	316	0.10493	97.8	SPSCONT-01
FDNS	06ALL	0	15G	G14_054	FROM->TO	ELK CITY 230KV (ELKCTY-6) 230/138/13.8KV TRANSFORMER CKT 1	287	316	0.10702	97.7	SPP-SWPS-01
FDNS	06ALL	0	15G	G14_054	FROM->TO	ELK CITY 230KV (ELKCTY-6) 230/138/13.8KV TRANSFORMER CKT 1	287	316	0.08046	96.9	DBL-BVR-G111
FDNS	06ALL	0	15G	G14_054	FROM->TO	ELK CITY 230KV (ELKCTY-6) 230/138/13.8KV TRANSFORMER CKT 1	287	316	0.08046	96.8	DBL-G1114-WW
FDNS	06ALL	0	15G	G14_054	FROM->TO	ELK CITY 230KV (ELKCTY-6) 230/138/13.8KV TRANSFORMER CKT 1	287	316	0.10493	96.7	SPSCONT-01
FDNS	06ALL	0	15G	G14_054	FROM->TO	ELK CITY 230KV (ELKCTY-6) 230/138/13.8KV TRANSFORMER CKT 1	287	316	0.10702	96.6	SPP-SWPS-01
FDNS	06ALL	0	15G	G14_054	FROM->TO	ELK CITY 230KV (ELKCTY-6) 230/138/13.8KV TRANSFORMER CKT 1	287	316	0.10493	96.5	OKLAUNION - TUCO INTERCHANGE 345KV CKT 1
FDNS	06ALL	0	15G	G14_054	FROM->TO	ELK CITY 230KV (ELKCTY-6) 230/138/13.8KV TRANSFORMER CKT 1	287	316	0.08046	95.7	DBL-BVR-G111
FDNS	06ALL	0	15G	G14_054	FROM->TO	ELK CITY 230KV (ELKCTY-6) 230/138/13.8KV TRANSFORMER CKT 1	287	316	0.10493	95.3	OKLAUNION - TUCO INTERCHANGE 345KV CKT 1
FDNS	06ALL	0	15SP	G14_054	TO->FROM	FLATRDG3 - THISTLE4 138.00 138KV CKT 1	286	286	0.0466	98.2	DBL-THIS-WIC
FDNS	06ALL	0	15G	G14_054	TO->FROM	FPL SWITCH - WOODWARD 138KV CKT 1	133	153	0.04443	161.177	NORTHWEST - TATONGA7 345.00 345KV CKT 1
FDNS	06ALL	0	15G	G14_054	TO->FROM	FPL SWITCH - WOODWARD 138KV CKT 1	133	153	0.05334	159.4244	DBL-THIS-WWR
FDNS	06ALL	0	15G	G14_054	TO->FROM	FPL SWITCH - WOODWARD 138KV CKT 1	133	153	0.04443	157.7992	SPSCONT-05B
FDNS	06ALL	0	15G	G14_054	TO->FROM	FPL SWITCH - WOODWARD 138KV CKT 1	133	153	0.04443	157.271	SPSCONT-04
FDNS	06ALL	0	15G	G14_054	TO->FROM	FPL SWITCH - WOODWARD 138KV CKT 1	133	153	0.04224	154.1519	DBL-THIS-WIC
FDNS	06ALL	0	15G	G14_054	TO->FROM	FPL SWITCH - WOODWARD 138KV CKT 1	133	153	0.04978	152.6111	LAWTON EASTSIDE - OKLAUNION 345KV CKT 1
FDNSLock	06ALL	0	15G	G14_054	TO->FROM	FPL SWITCH - WOODWARD 138KV CKT 1	133	153	0.04443	147.3779	G11_051T 345.00 - TATONGA7 345.00 345KV CKT 1
FDNS	06ALL	0	15G	G14_054	TO->FROM	FPL SWITCH - WOODWARD 138KV CKT 1	133	153	0.04443	146.4061	G11_051T 345.00 - WOODWARD DISTRICT EHV 345KV CKT 1
FDNS	06ALL	0	15G	G14_054	TO->FROM	FPL SWITCH - WOODWARD 138KV CKT 1	133	153	0.03162	143.416	WOODWARD (WOODWRD2) 138/69/13.2KV TRANSFORMER CKT 1
FDNS	06ALL	0	15G	G14_054	TO->FROM	FPL SWITCH - WOODWARD 138KV CKT 1	133	153	0.04443	143.1258	SPSCONT-05AX
FDNS	06ALL	0	15G	G14_054	TO->FROM	FPL SWITCH - WOODWARD 138KV CKT 1	133	153	0.03913	142.5155	ELK CITY 230KV - SWEETWATER 230KV CKT 1
FDNS	06ALL	0	15G	G14_054	TO->FROM	FPL SWITCH - WOODWARD 138KV CKT 1	133	153	0.03913	142.4842	ELK CITY 230KV (ELKCTY-6) 230/138/13.8KV TRANSFORMER CKT 1
FDNS	06ALL	0	15G	G14_054	TO->FROM	FPL SWITCH - WOODWARD 138KV CKT 1	133	153	0.04978	141.4059	SPSCONT-01
FDNS	06ALL	0	15G	G14_054	TO->FROM	FPL SWITCH - WOODWARD 138KV CKT 1	133	153	0.03931	140.0428	SPP-SWPS-03
FDNS	06ALL	0	15G	G14_054	TO->FROM	FPL SWITCH - WOODWARD 138KV CKT 1	133	153	0.04978	139.1883	OKLAUNION - TUCO INTERCHANGE 345KV CKT 1
FDNS	06ALL	0	15G	G14_054	TO->FROM	FPL SWITCH - WOODWARD 138KV CKT 1	133	153	0.03913	138.8333	SPP-SWPS-02A
FDNS	06ALL	0	15G	G14_054	TO->FROM	FPL SWITCH - WOODWARD 138KV CKT 1	133	153	0.03913	138.6923	GRAPEVINE INTERCHANGE - STATELINE INTERCHANGE 230KV CKT 1
FDNS	06ALL	0	15G	G14_054	TO->FROM	FPL SWITCH - WOODWARD 138KV CKT 1	133	153	0.04908	138.6877	SPP-SWPS-01
FDNS	06ALL	0	15G	G14_054	TO->FROM	FPL SWITCH - WOODWARD 138KV CKT 1	133	153	0.03346	137.3732	IODINE - WOODWARD EHV 138KV CKT 1
FDNS	06ALL	0	15G	G14_054	TO->FROM	FPL SWITCH - WOODWARD 138KV CKT 1	133	153	0.03346	135.335	DEWEY - IODINE 138KV CKT 1
FDNS	06ALL	0	15G	G14_054	TO->FROM	FPL SWITCH - WOODWARD 138KV CKT 1	133	153	0.03913	133.3058	STATELINE INTERCHANGE - STLN-DEMARC6 230KV CKT 1
FDNS	06ALL	0	15G	G14_054	TO->FROM	FPL SWITCH - WOODWARD 138KV CKT 1	133	153	0.03913	133.0811	SPP-SWPS-02
FDNS	06ALL	0	15G	G14_054	TO->FROM	FPL SWITCH - WOODWARD 138KV CKT 1	133	153	0.03913	133.0154	STLN-DEMARC6 - SWEETWATER 230KV CKT 1
FDNS	06ALL	0	15G	G14_054	TO->FROM	FPL SWITCH - WOODWARD 138KV CKT 1	133	153	0.03313	130.54	GRAPEVINE INTERCHANGE - NICHOLS STATION 230KV CKT 1
FDNS	06ALL	0	15G	G14_054	TO->FROM	FPL SWITCH - WOODWARD 138KV CKT 1	133	153	0.03162	130.0405	WOODWARD - WOODWARD 69KV CKT 1
FDNS	06ALL	0	15G	G14_054	TO->FROM	FPL SWITCH - WOODWARD 138KV CKT 1	133	153	0.03444	126.126	THISTLE7 345.00 - WOODWARD DISTRICT EHV 345KV CKT 1
FDNS	06ALL	0	15G	G14_054	TO->FROM	FPL SWITCH - WOODWARD 138KV CKT 1	133	153	0.03444	126.126	THISTLE7 345.00 - WOODWARD DISTRICT EHV 345KV CKT 2
FDNS	06ALL	0	15G	G14_054	TO->FROM	FPL SWITCH - WOODWARD 138KV CKT 1	133	153	0.03335	124.5649	FINNEY SWITCHING STATION - HOLCOMB 345KV CKT 1
FDNS	06ALL	0	15G	G14_054	TO->FROM	FPL SWITCH - WOODWARD 138KV CKT 1	133	153	0.0314	124.1871	THISTLE7 345.00 - WICHITA 345KV CKT 1
FDNS	06ALL	0	15G	G14_054	TO->FROM	FPL SWITCH - WOODWARD 138KV CKT 1	133	153	0.0314	124.1871	THISTLE7 345.00 - WICHITA 345KV CKT 2
FDNS	06ALL	0	15G	G14_054	TO->FROM	FPL SWITCH - WOODWARD 138KV CKT 1	133	153	0.03335	123.3196	SPP-SWPS-05
FDNS	06ALL	0	15G	G14_054	TO->FROM	FPL SWITCH - WOODWARD 138KV CKT 1	133	153	0.03335	123.2614	FINNEY SWITCHING STATION - Hitchland Interchange 345KV CKT 1
FDNS	06ALL	0	15G	G14_054	TO->FROM	FPL SWITCH - WOODWARD 138KV CKT 1	133	153	0.03083	120.7972	ELLIS 4 138.00 - RED HILLS WIND 138KV CKT 1
FDNS	06ALL	0	15G	G14_054	TO->FROM	FPL SWITCH - WOODWARD 138KV CKT 1	133	153	0.03083	118.2357	ELLIS 4 138.00 - MOREWOOD SW 138KV CKT 1
FDNS	06ALL	0	15SP	G14_054	TO->FROM	FPL SWITCH - WOODWARD 138KV CKT 1	133	153	0.05675	111.3808	DBL-THIS-WWR
FDNSLock	06ALL	0	15G	G14_054	TO->FROM	FPL SWITCH - WOODWARD 138KV CKT 1	133	153	0.03083	105.8896	ELK CITY - RED HILLS WIND 138KV CKT 1
FDNS	06ALL	0	15SP	G14_054	TO->FROM	FPL SWITCH - WOODWARD 138KV CKT 1	133	153	0.04754	105.3952	NORTHWEST - TATONGA7 345.00 345KV CKT 1
FDNS	06ALL	0	15SP	G14_054	TO->FROM	FPL SWITCH - WOODWARD 138KV CKT 1	133	153	0.0529	104.8311	LAWTON EASTSIDE - OKLAUNION 345KV CKT 1
FDNS	06ALL	0	15SP	G14_054	TO->FROM	FPL SWITCH - WOODWARD 138KV CKT 1	133	153	0.04754	102.6277	SPSCONT-05B
FDNS	06ALL	0	15SP	G14_054	TO->FROM	FPL SWITCH - WOODWARD 138KV CKT 1	133	153	0.04754	101.4863	SPSCONT-04
FDNS	06ALL	0	15SP	G14_054	TO->FROM	FPL SWITCH - WOODWARD 138KV CKT 1	133	153	0.04534	100.8287	DBL-THIS-WIC
FDNS	06ALL	0	15SP	G14_054	TO->FROM	FPL SWITCH - WOODWARD 138KV CKT 1	133	153	0.0351	97.7	WOODWARD (WOODWRD2) 138/69/13.2KV TRANSFORMER CKT 1
FDNS	06ALL	0	20WP	G14_054	TO->FROM	FPL SWITCH - WOODWARD 138KV CKT 1	171	185	0.05065	96.8	NORTHWEST - TATONGA7 345.00 345KV CKT 1
FDNS	06ALL	0	20WP	G14_054	TO->FROM	FPL SWITCH - WOODWARD 138KV CKT 1	171	185	0.0603	96	DBL-THIS-WWR
FDNS	06ALL	0	15G	G14_054	TO->FROM	GRAPEVINE INTERCHANGE - NICHOLS STATION 230KV CKT 1	319	351	0.09436	104.4035	LAWTON EASTSIDE - OKLAUNION 345KV CKT 1
FDNS	06ALL	0	20WP	G14_054	TO->FROM	GRAPEVINE INTERCHANGE - NICHOLS STATION 230KV CKT 1	329	361	0.12662	102.8268	LAWTON EASTSIDE - OKLAUNION 345KV CKT 1
FDNS	06ALL	0	15SP	G14_054	TO->FROM	GRAPEVINE INTERCHANGE - NICHOLS STATION 230KV CKT 1	319	351	0.09596	99.65252	LAWTON EASTSIDE - OKLAUNION 345KV CKT 1

SOLUTION	GROUP	SCENARIO	SEASON	SOURCE	DIRECTION	MONITORED ELEMENT	RATEA (MVA)	RATEB (MVA)	TDF	TC%LOADING (% MVA)	CONTINGENCY
FDNS	06ALL	0	15G	G14_054	FROM->TO	GRAPEVINE INTERCHANGE - STATELINE INTERCHANGE 230KV CKT 1	319	351	0.10493	96.46441	LAWTON EASTSIDE - OKLAUNION 345KV CKT 1
FDNS	06ALL	0	15G	G14_054	FROM->TO	HARPER - MILAN TAP 138KV CKT 1	138	143	0.03166	116.5991	DBL-THIS-WIC
FDNS	06ALL	0	15SP	G14_054	FROM->TO	HARPER - MILAN TAP 138KV CKT 1	127	136	0.03191	104.5127	DBL-THIS-WIC
FDNS	06ALL	0	15WP	G14_054	FROM->TO	HARPER - MILAN TAP 138KV CKT 1	143	143	0.03192	102.8215	DBL-THIS-WIC
FDNS	06ALL	0	15SP	G14_054	TO->FROM	PLANT X STATION - TOLK STATION EAST 230KV CKT 2	478	502	0.07393	129.7813	PLANT X STATION - TOLK STATION WEST 230KV CKT 1
FDNS	06ALL	0	15G	G14_054	TO->FROM	PLANT X STATION - TOLK STATION EAST 230KV CKT 2	478	502	0.05613	108.0605	SPP-SWPS-06
FDNS	06ALL	0	15G	G14_054	TO->FROM	PLANT X STATION - TOLK STATION EAST 230KV CKT 2	478	502	0.0731	100.4028	PLANT X STATION - TOLK STATION WEST 230KV CKT 1
FDNS	06ALL	0	15WP	G14_054	TO->FROM	PLANT X STATION - TOLK STATION EAST 230KV CKT 2	557	557	0.07172	99.8	PLANT X STATION - TOLK STATION WEST 230KV CKT 1
FDNS	06ALL	0	20SP	G14_054	TO->FROM	PLANT X STATION - TOLK STATION EAST 230KV CKT 2	478	502	0.06242	96.1	PLANT X STATION - TOLK STATION WEST 230KV CKT 1
FDNS	06ALL	0	15SP	G14_054	TO->FROM	PLANT X STATION - TOLK STATION WEST 230KV CKT 1	478	502	0.07444	130.7753	PLANT X STATION - TOLK STATION EAST 230KV CKT 2
FDNS	06ALL	0	15G	G14_054	TO->FROM	PLANT X STATION - TOLK STATION WEST 230KV CKT 1	478	502	0.07362	101.1768	PLANT X STATION - TOLK STATION EAST 230KV CKT 2
FDNS	06ALL	0	15WP	G14_054	TO->FROM	PLANT X STATION - TOLK STATION WEST 230KV CKT 1	557	557	0.07223	100.5624	PLANT X STATION - TOLK STATION EAST 230KV CKT 2
FDNS	06ALL	0	20SP	G14_054	TO->FROM	PLANT X STATION - TOLK STATION WEST 230KV CKT 1	478	502	0.06292	96.8	PLANT X STATION - TOLK STATION EAST 230KV CKT 2
FDNS	06ALL	0	25SP	G14_054	FROM->TO	WOLFFORTH INTERCHANGE (WH 7001668) 230/115/13.2KV TRANSFORMER CKT 1	120	154	0.06176	112.4664	CARLISLE INTERCHANGE (WH XHS70711) 230/115/13.2KV TRANSFORMER CKT 1
FDNS	06ALL	0	25SP	G14_054	FROM->TO	WOLFFORTH INTERCHANGE (WH 7001668) 230/115/13.2KV TRANSFORMER CKT 1	120	154	0.04384	111.4364	CARLISLE INTERCHANGE - LP-DOUD_TP 3115.00 115KV CKT 1
FDNS	06ALL	0	25SP	G14_054	FROM->TO	WOLFFORTH INTERCHANGE (WH 7001668) 230/115/13.2KV TRANSFORMER CKT 1	120	154	0.06176	106.8437	CARLISLE INTERCHANGE (WH XHS70711) 230/115/13.2KV TRANSFORMER CKT 1
FDNS	06ALL	0	25SP	G14_054	FROM->TO	WOLFFORTH INTERCHANGE (WH 7001668) 230/115/13.2KV TRANSFORMER CKT 1	120	154	0.04384	106.7556	CARLISLE INTERCHANGE - LP-DOUD_TP 3115.00 115KV CKT 1
FDNS	06ALL	0	25SP	G14_054	FROM->TO	WOLFFORTH INTERCHANGE (WH 7001668) 230/115/13.2KV TRANSFORMER CKT 1	120	154	0.06368	97.4	SUNDOWN INTERCHANGE - WOLFFORTH INTERCHANGE 230KV CKT 1
FDNS	06ALL	0	25SP	G14_054	FROM->TO	WOLFFORTH INTERCHANGE (WH 7001668) 230/115/13.2KV TRANSFORMER CKT 1	120	154	0.04384	96.8	LP-DOUD_TP 3115.00 - SP-WOLF_TP 3115.00 115KV CKT 1
FDNS	06ALL	0	20SP	G14_054	FROM->TO	WOLFFORTH INTERCHANGE (WH 7001668) 230/115/13.2KV TRANSFORMER CKT 1	120	154	0.06181	96.2	CARLISLE INTERCHANGE (WH XHS70711) 230/115/13.2KV TRANSFORMER CKT 1
FDNS	06ALL	2	25SP	G14_054	FROM->TO	CARLISLE INTERCHANGE (WH XHS70711) 230/115/13.2KV TRANSFORMER CKT 1	168	168	0.10621	112.7742	ALLEN SUB - LUBBOCK SOUTH INTERCHANGE 115KV CKT 1
FDNS	06ALL	2	25SP	G14_054	FROM->TO	CARLISLE INTERCHANGE (WH XHS70711) 230/115/13.2KV TRANSFORMER CKT 1	168	168	0.12651	109.7919	WOLFFORTH INTERCHANGE (WH 7001668) 230/115/13.2KV TRANSFORMER CKT 1
FDNS	06ALL	2	25SP	G14_054	FROM->TO	CARLISLE INTERCHANGE (WH XHS70711) 230/115/13.2KV TRANSFORMER CKT 1	168	168	0.10621	109.1479	ALLEN SUB - LUBBOCK SOUTH INTERCHANGE 115KV CKT 1
FDNS	06ALL	2	25SP	G14_054	FROM->TO	CARLISLE INTERCHANGE (WH XHS70711) 230/115/13.2KV TRANSFORMER CKT 1	168	168	0.12651	104.8066	WOLFFORTH INTERCHANGE (WH 7001668) 230/115/13.2KV TRANSFORMER CKT 1
FDNS	06ALL	2	20SP	G14_054	FROM->TO	CARLISLE INTERCHANGE (WH XHS70711) 230/115/13.2KV TRANSFORMER CKT 1	168	168	0.10624	99.4	ALLEN SUB - LUBBOCK SOUTH INTERCHANGE 115KV CKT 1
FDNS	06ALL	2	25SP	G14_054	FROM->TO	CARLISLE INTERCHANGE (WH XHS70711) 230/115/13.2KV TRANSFORMER CKT 1	168	168	0.10621	98.1	ALLEN SUB - SOUTH PLAINS REC-QUAKER 115KV CKT 1
FDNS	06ALL	2	20SP	G14_054	FROM->TO	CARLISLE INTERCHANGE (WH XHS70711) 230/115/13.2KV TRANSFORMER CKT 1	168	168	0.10624	97.2	ALLEN SUB - LUBBOCK SOUTH INTERCHANGE 115KV CKT 1
FDNS	06ALL	2	25SP	G14_054	FROM->TO	CARLISLE INTERCHANGE (WH XHS70711) 230/115/13.2KV TRANSFORMER CKT 1	168	168	0.09274	97.2	STANTON SUB - TUCO INTERCHANGE 115KV CKT 1
FDNS	06ALL	2	20SP	G14_054	FROM->TO	CARLISLE INTERCHANGE (WH XHS70711) 230/115/13.2KV TRANSFORMER CKT 1	168	168	0.12656	95.8	WOLFFORTH INTERCHANGE (WH 7001668) 230/115/13.2KV TRANSFORMER CKT 1
FDNS	06ALL	2	25SP	G14_054	FROM->TO	CARLISLE INTERCHANGE (WH XHS70711) 230/115/13.2KV TRANSFORMER CKT 1	168	168	0.10621	95.8	ALLEN SUB - SOUTH PLAINS REC-QUAKER 115KV CKT 1
FDNS	06ALL	2	15G	G14_054	FROM->TO	CLEARWATER - GILL ENERGY CENTER WEST 138KV CKT 1	143	143	0.03154	100.3876	DBL-THIS-WIC
FDNS	06ALL	2	15G	G14_054	TO->FROM	CLEARWATER - MILAN TAP 138KV CKT 1	110	110	0.03154	139.9774	DBL-THIS-WIC
FDNS	06ALL	2	20WP	G14_054	TO->FROM	CLEARWATER - MILAN TAP 138KV CKT 1	110	110	0.03237	108.5614	DBL-THIS-WIC
FDNS	06ALL	2	15WP	G14_054	TO->FROM	CLEARWATER - MILAN TAP 138KV CKT 1	110	110	0.03181	106.1489	DBL-THIS-WIC
FDNS	06ALL	2	15SP	G14_054	TO->FROM	CLEARWATER - MILAN TAP 138KV CKT 1	110	110	0.0318	100	DBL-THIS-WIC
FDNS	06ALL	2	20SP	G14_054	FROM->TO	CURRY COUNTY INTERCHANGE - DEAF SMITH REC-#20 115KV CKT 1	96	96	0.03079	106.7095	DEAF SMITH COUNTY INTERCHANGE - PLANT X STATION 230KV CKT 1
FDNS	06ALL	2	25SP	G14_054	FROM->TO	CURRY COUNTY INTERCHANGE - DEAF SMITH REC-#20 115KV CKT 1	96	96	0.0312	95.5	DEAF SMITH COUNTY INTERCHANGE - PLANT X STATION 230KV CKT 1
FDNS	06ALL	2	15SP	G14_054	TO->FROM	DEAF SMITH COUNTY INTERCHANGE - PLANT X STATION 230KV CKT 1	319	351	0.12627	109.6348	LAWTON EASTSIDE - OKLAUNION 345KV CKT 1
FDNS	06ALL	2	15SP	G14_054	TO->FROM	DEAF SMITH COUNTY INTERCHANGE - PLANT X STATION 230KV CKT 1	319	351	0.10105	97.1	NEWHART 230 - PLANT X STATION 230KV CKT 1
FDNS	06ALL	2	15SP	G14_054	TO->FROM	DEAF SMITH COUNTY INTERCHANGE - PLANT X STATION 230KV CKT 1	319	351	0.12773	96.4	SPP-SWPS-01
FDNS	06ALL	2	15SP	G14_054	TO->FROM	DEAF SMITH COUNTY INTERCHANGE - PLANT X STATION 230KV CKT 1	319	351	0.12627	96.1	SPSCONT-01
FDNS	06ALL	2	15SP	G14_054	TO->FROM	DEAF SMITH COUNTY INTERCHANGE - PLANT X STATION 230KV CKT 1	319	351	0.12627	96	OKLAUNION - TUCO INTERCHANGE 345KV CKT 1
FDNS	06ALL	2	15G	G14_054	FROM->TO	ELK CITY 230KV (ELKCTY-6) 230/138/13.8KV TRANSFORMER CKT 1	287	316	0.10434	106.8055	LAWTON EASTSIDE - OKLAUNION 345KV CKT 1
FDNS	06ALL	2	15G	G14_054	FROM->TO	ELK CITY 230KV (ELKCTY-6) 230/138/13.8KV TRANSFORMER CKT 1	287	316	0.10434	104.9756	LAWTON EASTSIDE - OKLAUNION 345KV CKT 1
FDNS	06ALL	2	15SP	G14_054	FROM->TO	ELK CITY 230KV (ELKCTY-6) 230/138/13.8KV TRANSFORMER CKT 1	272	316	0.11198	100.0284	LAWTON EASTSIDE - OKLAUNION 345KV CKT 1
FDNS	06ALL	2	15WP	G14_054	FROM->TO	ELK CITY 230KV (ELKCTY-6) 230/138/13.8KV TRANSFORMER CKT 1	287	316	0.11542	99.83074	LAWTON EASTSIDE - OKLAUNION 345KV CKT 1
FDNS	06ALL	2	15SP	G14_054	FROM->TO	ELK CITY 230KV (ELKCTY-6) 230/138/13.8KV TRANSFORMER CKT 1	272	316	0.11198	98.59394	LAWTON EASTSIDE - OKLAUNION 345KV CKT 1
FDNS	06ALL	2	15WP	G14_054	FROM->TO	ELK CITY 230KV (ELKCTY-6) 230/138/13.8KV TRANSFORMER CKT 1	287	316	0.11542	98.42802	LAWTON EASTSIDE - OKLAUNION 345KV CKT 1
FDNS	06ALL	2	15G	G14_054	FROM->TO	ELK CITY 230KV (ELKCTY-6) 230/138/13.8KV TRANSFORMER CKT 1	287	316	0.10434	97.6	SPSCONT-01
FDNS	06ALL	2	15G	G14_054	FROM->TO	ELK CITY 230KV (ELKCTY-6) 230/138/13.8KV TRANSFORMER CKT 1	287	316	0.07809	96.8	DBL-G1114-WW
FDNS	06ALL	2	15G	G14_054	FROM->TO	ELK CITY 230KV (ELKCTY-6) 230/138/13.8KV TRANSFORMER CKT 1	287	316	0.10511	96.7	SPP-SWPS-01
FDNS	06ALL	2	15G	G14_054	FROM->TO	ELK CITY 230KV (ELKCTY-6) 230/138/13.8KV TRANSFORMER CKT 1	287	316	0.10434	96.5	SPSCONT-01
FDNS	06ALL	2	15G	G14_054	FROM->TO	ELK CITY 230KV (ELKCTY-6) 230/138/13.8KV TRANSFORMER CKT 1	287	316	0.10434	96.2	OKLAUNION - TUCO INTERCHANGE 345KV CKT 1
FDNS	06ALL	2	15G	G14_054	FROM->TO	ELK CITY 230KV (ELKCTY-6) 230/138/13.8KV TRANSFORMER CKT 1	287	316	0.10511	95.7	SPP-SWPS-01
FDNS	06ALL	2	15G	G14_054	FROM->TO	ELK CITY 230KV (ELKCTY-6) 230/138/13.8KV TRANSFORMER CKT 1	287	316	0.07809	95.6	DBL-G1114-WW
FDNS	06ALL	2	15G	G14_054	FROM->TO	ELK CITY 230KV (ELKCTY-6) 230/138/13.8KV TRANSFORMER CKT 1	287	316	0.07809	95.5	DBL-BVR-G111
FDNS	06ALL	2	15G	G14_054	FROM->TO	ELK CITY 230KV (ELKCTY-6) 230/138/13.8KV TRANSFORMER CKT 1	287	316	0.10434	95.1	OKLAUNION - TUCO INTERCHANGE 345KV CKT 1
FDNS	06ALL	2	15SP	G14_054	TO->FROM	FLATRDG3 - THISTLE4 138.00 138KV CKT 1	286	286	0.0465	98.1	DBL-THIS-WIC
FDNS	06ALL	2	15G	G14_054	TO->FROM	FPL SWITCH - WOODWARD 138KV CKT 1	133	153	0.0444	161.0764	NORTHWEST - TATONGA7 345.00 345KV CKT 1
FDNS	06ALL	2	15G	G14_054	TO->FROM	FPL SWITCH - WOODWARD 138KV CKT 1	133	153	0.05341	159.4718	DBL-THIS-WWR
FDNS	06ALL	2	15G	G14_054	TO->FROM	FPL SWITCH - WOODWARD 138KV CKT 1	133	153	0.0444	157.784	SPSCONT-05B
FDNS	06ALL	2	15G	G14_054	TO->FROM	FPL SWITCH - WOODWARD 138KV CKT 1	133	153	0.0444	157.1004	SPSCONT-04
FDNS	06ALL	2	15G	G14_054	TO->FROM	FPL SWITCH - WOODWARD 138KV CKT 1	133	153	0.04224	154.0923	DBL-THIS-WIC
FDNS	06ALL	2	15G	G14_054	TO->FROM	FPL SWITCH - WOODWARD 138KV CKT 1	133	153	0.04998	152.7189	LAWTON EASTSIDE - OKLAUNION 345KV CKT 1
FDNS	06ALL	2	15G	G14_054	TO->FROM	FPL SWITCH - WOODWARD 138KV CKT 1	133	153	0.0444	147.5378	G11_051T 345.00 - TATONGA7 345.00 345KV CKT 1
FDNS	06ALL	2	15G	G14_054	TO->FROM	FPL SWITCH - WOODWARD 138KV CKT 1	133	153	0.0444	146.3224	G11_051T 345.00 - WOODWARD DISTRICT EHV 345KV CKT 1
FDNS	06ALL	2	15G	G14_054	TO->FROM	FPL SWITCH - WOODWARD 138KV CKT 1	133	153	0.03167	143.4813	WOODWARD (WOODWRD2) 138/69/13.2KV TRANSFORMER CKT 1
FDNS	06ALL	2	15G	G14_054	TO->FROM	FPL SWITCH - WOODWARD 138KV CKT 1	133	153	0.0444	143.1119	SPSCONT-05AX
FDNS	06ALL	2	15G	G14_054	TO->FROM	FPL SWITCH - WOODWARD 138KV CKT 1	133	153	0.0389	142.197	ELK CITY 230KV - SWEETWATER 230KV CKT 1
FDNS	06ALL	2	15G	G14_054	TO->FROM	FPL SWITCH - WOODWARD 138KV CKT 1	133	153	0.0389	142.1652	ELK CITY 230KV (ELKCTY-6) 230/138/13.8KV TRANSFORMER CKT 1
FDNS	06ALL	2	15G	G14_054	TO->FROM	FPL SWITCH - WOODWARD 138KV CKT 1	133	153	0.04998	141.5791	SPSCONT-01
FDNS	06ALL	2	15G	G14_054	TO->FROM	FPL SWITCH - WOODWARD 138KV CKT 1	133	153	0.03908	139.7583	SPP-SWPS-03

SOLUTION	GROUP	SCENARIO	SEASON	SOURCE	DIRECTION	MONITORED ELEMENT	RATEA (MVA)	RATEB(MVA)	TC%LOADING TDF (% MVA)	CONTINGENCY	
FDNS	06ALL	2	15G	G14_054	TO->FROM	FPL SWITCH - WOODWARD 138KV CKT 1	133	153	0.04998	139.3711	OKLAUNION - TUCO INTERCHANGE 345KV CKT 1
FDNS	06ALL	2	15G	G14_054	TO->FROM	FPL SWITCH - WOODWARD 138KV CKT 1	133	153	0.04972	139.1429	SPP-SWPS-01
FDNS	06ALL	2	15G	G14_054	TO->FROM	FPL SWITCH - WOODWARD 138KV CKT 1	133	153	0.0389	138.6541	SPP-SWPS-02A
FDNS	06ALL	2	15G	G14_054	TO->FROM	FPL SWITCH - WOODWARD 138KV CKT 1	133	153	0.0389	138.3635	GRAPEVINE INTERCHANGE - STATELINE INTERCHANGE 230KV CKT 1
FDNSLock	06ALL	2	15G	G14_054	TO->FROM	FPL SWITCH - WOODWARD 138KV CKT 1	133	153	0.0335	137.0502	IODINE - WOODWARD EHV 138KV CKT 1
FDNS	06ALL	2	15G	G14_054	TO->FROM	FPL SWITCH - WOODWARD 138KV CKT 1	133	153	0.0335	135.4149	DEWEY - IODINE 138KV CKT 1
FDNS	06ALL	2	15G	G14_054	TO->FROM	FPL SWITCH - WOODWARD 138KV CKT 1	133	153	0.0389	132.7991	STATELINE INTERCHANGE - STLN-DEMARC6 230KV CKT 1
FDNS	06ALL	2	15G	G14_054	TO->FROM	FPL SWITCH - WOODWARD 138KV CKT 1	133	153	0.0389	132.7953	SPP-SWPS-02
FDNS	06ALL	2	15G	G14_054	TO->FROM	FPL SWITCH - WOODWARD 138KV CKT 1	133	153	0.0389	132.7834	STLN-DEMARC6 - SWEETWATER 230KV CKT 1
FDNS	06ALL	2	15G	G14_054	TO->FROM	FPL SWITCH - WOODWARD 138KV CKT 1	133	153	0.03305	130.4683	GRAPEVINE INTERCHANGE - NICHOLS STATION 230KV CKT 1
FDNS	06ALL	2	15G	G14_054	TO->FROM	FPL SWITCH - WOODWARD 138KV CKT 1	133	153	0.03167	130.1106	WOODWARD - WOODWARD 69KV CKT 1
FDNS	06ALL	2	15G	G14_054	TO->FROM	FPL SWITCH - WOODWARD 138KV CKT 1	133	153	0.03449	126.1934	THISTLE7 345.00 - WOODWARD DISTRICT EHV 345KV CKT 1
FDNS	06ALL	2	15G	G14_054	TO->FROM	FPL SWITCH - WOODWARD 138KV CKT 1	133	153	0.03449	126.1934	THISTLE7 345.00 - WOODWARD DISTRICT EHV 345KV CKT 2
FDNS	06ALL	2	15G	G14_054	TO->FROM	FPL SWITCH - WOODWARD 138KV CKT 1	133	153	0.03333	124.5364	FINNEY SWITCHING STATION - HOLCOMB 345KV CKT 1
FDNS	06ALL	2	15G	G14_054	TO->FROM	FPL SWITCH - WOODWARD 138KV CKT 1	133	153	0.03144	124.2225	THISTLE7 345.00 - WICHITA 345KV CKT 1
FDNS	06ALL	2	15G	G14_054	TO->FROM	FPL SWITCH - WOODWARD 138KV CKT 1	133	153	0.03144	124.2225	THISTLE7 345.00 - WICHITA 345KV CKT 2
FDNS	06ALL	2	15G	G14_054	TO->FROM	FPL SWITCH - WOODWARD 138KV CKT 1	133	153	0.03333	123.294	SPP-SWPS-05
FDNS	06ALL	2	15G	G14_054	TO->FROM	FPL SWITCH - WOODWARD 138KV CKT 1	133	153	0.03333	123.2358	FINNEY SWITCHING STATION - Hitchland Interchange 345KV CKT 1
FDNS	06ALL	2	15G	G14_054	TO->FROM	FPL SWITCH - WOODWARD 138KV CKT 1	133	153	0.0308	120.7881	ELLIS 4 138.00 - RED HILLS WIND 138KV CKT 1
FDNS	06ALL	2	15G	G14_054	TO->FROM	FPL SWITCH - WOODWARD 138KV CKT 1	133	153	0.0308	118.2424	ELLIS 4 138.00 - MOREWOOD SW 138KV CKT 1
FDNS	06ALL	2	15SP	G14_054	TO->FROM	FPL SWITCH - WOODWARD 138KV CKT 1	133	153	0.05683	111.8037	DBL-THIS-WWR
FDNS	06ALL	2	15G	G14_054	TO->FROM	FPL SWITCH - WOODWARD 138KV CKT 1	133	153	0.0308	105.8822	ELK CITY - RED HILLS WIND 138KV CKT 1
FDNS	06ALL	2	15SP	G14_054	TO->FROM	FPL SWITCH - WOODWARD 138KV CKT 1	133	153	0.04753	105.4283	NORTHWEST - TATONGA7 345.00 345KV CKT 1
FDNS	06ALL	2	15SP	G14_054	TO->FROM	FPL SWITCH - WOODWARD 138KV CKT 1	133	153	0.05311	104.792	LAWTON EASTSIDE - OKLAUNION 345KV CKT 1
FDNS	06ALL	2	15SP	G14_054	TO->FROM	FPL SWITCH - WOODWARD 138KV CKT 1	133	153	0.04753	102.6609	SPSCONT-05B
FDNS	06ALL	2	15SP	G14_054	TO->FROM	FPL SWITCH - WOODWARD 138KV CKT 1	133	153	0.04753	101.5196	SPSCONT-04
FDNS	06ALL	2	15SP	G14_054	TO->FROM	FPL SWITCH - WOODWARD 138KV CKT 1	133	153	0.04536	100.868	DBL-THIS-WIC
FDNS	06ALL	2	15SP	G14_054	TO->FROM	FPL SWITCH - WOODWARD 138KV CKT 1	133	153	0.03517	97.8	WOODWARD (WOODWRD2) 138/69/13.2KV TRANSFORMER CKT 1
FDNS	06ALL	2	20WP	G14_054	TO->FROM	FPL SWITCH - WOODWARD 138KV CKT 1	171	185	0.05062	96.8	NORTHWEST - TATONGA7 345.00 345KV CKT 1
FDNS	06ALL	2	20WP	G14_054	TO->FROM	FPL SWITCH - WOODWARD 138KV CKT 1	171	185	0.06034	96.1	DBL-THIS-WWR
FDNS	06ALL	2	15G	G14_054	TO->FROM	GRAPEVINE INTERCHANGE - NICHOLS STATION 230KV CKT 1	319	351	0.09383	104.1544	LAWTON EASTSIDE - OKLAUNION 345KV CKT 1
FDNS	06ALL	2	20WP	G14_054	TO->FROM	GRAPEVINE INTERCHANGE - NICHOLS STATION 230KV CKT 1	329	361	0.12607	102.6379	LAWTON EASTSIDE - OKLAUNION 345KV CKT 1
FDNS	06ALL	2	15SP	G14_054	TO->FROM	GRAPEVINE INTERCHANGE - NICHOLS STATION 230KV CKT 1	319	351	0.09542	99.55632	LAWTON EASTSIDE - OKLAUNION 345KV CKT 1
FDNS	06ALL	2	15G	G14_054	FROM->TO	GRAPEVINE INTERCHANGE - STATELINE INTERCHANGE 230KV CKT 1	319	351	0.10434	96.1822	LAWTON EASTSIDE - OKLAUNION 345KV CKT 1
FDNS	06ALL	2	15G	G14_054	FROM->TO	HARPER - MILAN TAP 138KV CKT 1	138	143	0.03154	116.4392	DBL-THIS-WIC
FDNS	06ALL	2	15SP	G14_054	FROM->TO	HARPER - MILAN TAP 138KV CKT 1	127	136	0.0318	104.4461	DBL-THIS-WIC
FDNS	06ALL	2	15WP	G14_054	FROM->TO	HARPER - MILAN TAP 138KV CKT 1	143	143	0.03181	102.7312	DBL-THIS-WIC
FDNS	06ALL	2	15SP	G14_054	TO->FROM	PLANT X STATION - TOLK STATION EAST 230KV CKT 2	478	502	0.07362	129.6941	PLANT X STATION - TOLK STATION WEST 230KV CKT 1
FDNS	06ALL	2	15G	G14_054	TO->FROM	PLANT X STATION - TOLK STATION EAST 230KV CKT 2	478	502	0.05586	107.8303	SPP-SWPS-06
FDNS	06ALL	2	15G	G14_054	TO->FROM	PLANT X STATION - TOLK STATION EAST 230KV CKT 2	478	502	0.07279	100.223	PLANT X STATION - TOLK STATION WEST 230KV CKT 1
FDNS	06ALL	2	15WP	G14_054	TO->FROM	PLANT X STATION - TOLK STATION EAST 230KV CKT 2	557	557	0.0714	99.7	PLANT X STATION - TOLK STATION WEST 230KV CKT 1
FDNS	06ALL	2	20SP	G14_054	TO->FROM	PLANT X STATION - TOLK STATION EAST 230KV CKT 2	478	502	0.0634	96.2	PLANT X STATION - TOLK STATION WEST 230KV CKT 1
FDNS	06ALL	2	15SP	G14_054	TO->FROM	PLANT X STATION - TOLK STATION WEST 230KV CKT 1	478	502	0.07413	130.6873	PLANT X STATION - TOLK STATION EAST 230KV CKT 2
FDNS	06ALL	2	15G	G14_054	TO->FROM	PLANT X STATION - TOLK STATION WEST 230KV CKT 1	478	502	0.07332	100.9956	PLANT X STATION - TOLK STATION EAST 230KV CKT 2
FDNS	06ALL	2	15WP	G14_054	TO->FROM	PLANT X STATION - TOLK STATION WEST 230KV CKT 1	557	557	0.0719	100.4777	PLANT X STATION - TOLK STATION EAST 230KV CKT 2
FDNS	06ALL	2	20SP	G14_054	TO->FROM	PLANT X STATION - TOLK STATION WEST 230KV CKT 1	478	502	0.06392	96.9	PLANT X STATION - TOLK STATION EAST 230KV CKT 2
FDNS	06ALL	2	15G	G14_054	FROM->TO	TUCO INTERCHANGE - TUCO_2 230.00 230KV CKT 1	319	351	0.30882	98.75284	LAWTON EASTSIDE - OKLAUNION 345KV CKT 1
FDNS	06ALL	2	15SP	G14_054	FROM->TO	TUCO INTERCHANGE - TUCO_2 230.00 230KV CKT 1	319	351	0.37046	96.5	TUCO INTERCHANGE - TUCO_2 345.00 345KV CKT 1
FDNS	06ALL	2	15WP	G14_054	FROM->TO	TUCO INTERCHANGE - TUCO_2 230.00 230KV CKT 1	329	361	0.3901	96.4	TUCO INTERCHANGE (GE M1022338) 345/230/13.2KV TRANSFORMER CKT 1
FDNS	06ALL	2	15WP	G14_054	FROM->TO	TUCO INTERCHANGE - TUCO_2 230.00 230KV CKT 1	329	361	0.38005	95.1	SPP-SWPS-01
FDNS	06ALL	2	25SP	G14_054	FROM->TO	WOLFFORTH INTERCHANGE (WH 7001668) 230/115/13.2KV TRANSFORMER CKT 1	120	154	0.06131	112.4399	CARLISLE INTERCHANGE (WH XHS70711) 230/115/13.2KV TRANSFORMER CKT 1
FDNS	06ALL	2	25SP	G14_054	FROM->TO	WOLFFORTH INTERCHANGE (WH 7001668) 230/115/13.2KV TRANSFORMER CKT 1	120	154	0.04283	111.3738	CARLISLE INTERCHANGE - LP-DOUD_TP 3115.00 115KV CKT 1
FDNS	06ALL	2	25SP	G14_054	FROM->TO	WOLFFORTH INTERCHANGE (WH 7001668) 230/115/13.2KV TRANSFORMER CKT 1	120	154	0.06131	106.8176	CARLISLE INTERCHANGE (WH XHS70711) 230/115/13.2KV TRANSFORMER CKT 1
FDNS	06ALL	2	25SP	G14_054	FROM->TO	WOLFFORTH INTERCHANGE (WH 7001668) 230/115/13.2KV TRANSFORMER CKT 1	120	154	0.04283	106.6934	CARLISLE INTERCHANGE - LP-DOUD_TP 3115.00 115KV CKT 1
FDNS	06ALL	2	25SP	G14_054	FROM->TO	WOLFFORTH INTERCHANGE (WH 7001668) 230/115/13.2KV TRANSFORMER CKT 1	120	154	0.06257	97.3	SUNDOWN INTERCHANGE - WOLFFORTH INTERCHANGE 230KV CKT 1
FDNS	06ALL	2	25SP	G14_054	FROM->TO	WOLFFORTH INTERCHANGE (WH 7001668) 230/115/13.2KV TRANSFORMER CKT 1	120	154	0.04283	96.7	LP-DOUD_TP 3115.00 - SP-WOLF_TP 3115.00 115KV CKT 1
FDNS	06ALL	2	20SP	G14_054	FROM->TO	WOLFFORTH INTERCHANGE (WH 7001668) 230/115/13.2KV TRANSFORMER CKT 1	120	154	0.06135	96	CARLISLE INTERCHANGE (WH XHS70711) 230/115/13.2KV TRANSFORMER CKT 1
FDNS	06ALL	3	15G	G14_054	FROM->TO	CLEARWATER - GILL ENERGY CENTER WEST 138KV CKT 1	143	143	0.03158	100.3353	DBL-THIS-WIC
FDNS	06ALL	3	15G	G14_054	TO->FROM	CLEARWATER - MILAN TAP 138KV CKT 1	110	110	0.03158	139.9081	DBL-THIS-WIC
FDNS	06ALL	3	20WP	G14_054	TO->FROM	CLEARWATER - MILAN TAP 138KV CKT 1	110	110	0.0324	108.5249	DBL-THIS-WIC
FDNS	06ALL	3	15WP	G14_054	TO->FROM	CLEARWATER - MILAN TAP 138KV CKT 1	110	110	0.03184	106.1126	DBL-THIS-WIC
FDNS	06ALL	3	15SP	G14_054	TO->FROM	CLEARWATER - MILAN TAP 138KV CKT 1	110	110	0.03182	99.9	DBL-THIS-WIC
FDNS	06ALL	3	20SP	G14_054	FROM->TO	CURRY COUNTY INTERCHANGE - DEAF SMITH REC-#20 115KV CKT 1	96	96	0.03083	104.6276	DEAF SMITH COUNTY INTERCHANGE - PLANT X STATION 230KV CKT 1
FDNS	06ALL	3	15SP	G14_054	TO->FROM	DEAF SMITH COUNTY INTERCHANGE - PLANT X STATION 230KV CKT 1	319	351	0.12639	109.4403	LAWTON EASTSIDE - OKLAUNION 345KV CKT 1
FDNS	06ALL	3	15SP	G14_054	TO->FROM	DEAF SMITH COUNTY INTERCHANGE - PLANT X STATION 230KV CKT 1	319	351	0.10117	96.9	NEWHART 230 - PLANT X STATION 230KV CKT 1
FDNS	06ALL	3	15SP	G14_054	TO->FROM	DEAF SMITH COUNTY INTERCHANGE - PLANT X STATION 230KV CKT 1	319	351	0.12785	96.2	SPP-SWPS-01
FDNS	06ALL	3	15SP	G14_054	TO->FROM	DEAF SMITH COUNTY INTERCHANGE - PLANT X STATION 230KV CKT 1	319	351	0.12639	96	SPSCONT-01
FDNS	06ALL	3	15SP	G14_054	TO->FROM	DEAF SMITH COUNTY INTERCHANGE - PLANT X STATION 230KV CKT 1	319	351	0.12639	95.8	OKLAUNION - TUCO INTERCHANGE 345KV CKT 1
FDNS	06ALL	3	15G	G14_054	FROM->TO	ELK CITY 230KV (ELKCTY-6) 230/138/13.8KV TRANSFORMER CKT 1	287	316	0.10447	106.8002	LAWTON EASTSIDE - OKLAUNION 345KV CKT 1
FDNS	06ALL	3	15G	G14_054	FROM->TO	ELK CITY 230KV (ELKCTY-6) 230/138/13.8KV TRANSFORMER CKT 1	287	316	0.10447	104.9708	LAWTON EASTSIDE - OKLAUNION 345KV CKT 1
FDNS	06ALL	3	15SP	G14_054	FROM->TO	ELK CITY 230KV (ELKCTY-6) 230/138/13.8KV TRANSFORMER CKT 1	272	316	0.11206	100.0238	LAWTON EASTSIDE - OKLAUNION 345KV CKT 1
FDNS	06ALL	3	15WP	G14_054	FROM->TO	ELK CITY 230KV (ELKCTY-6) 230/138/13.8KV TRANSFORMER CKT 1	287	316	0.11554	99.80477	LAWTON EASTSIDE - OKLAUNION 345KV CKT 1

SOLUTION	GROUP	SCENARIO	SEASON	SOURCE	DIRECTION	MONITORED ELEMENT	RATEA (MVA)	RATEB (MVA)	TDF	TC%LOADING (% MVA)	CONTINGENCY
FDNS	06ALL	3	15SP	G14_054	FROM->TO	ELK CITY 230KV (ELKCTY-6) 230/138/13.8KV TRANSFORMER CKT 1	272	316	0.11206	98.58963	LAWTON EASTSIDE - OKLAUNION 345KV CKT 1
FDNS	06ALL	3	15WP	G14_054	FROM->TO	ELK CITY 230KV (ELKCTY-6) 230/138/13.8KV TRANSFORMER CKT 1	287	316	0.11554	98.40416	LAWTON EASTSIDE - OKLAUNION 345KV CKT 1
FDNS	06ALL	3	15G	G14_054	FROM->TO	ELK CITY 230KV (ELKCTY-6) 230/138/13.8KV TRANSFORMER CKT 1	287	316	0.10447	97.5	SPSCONT-01
FDNS	06ALL	3	15G	G14_054	FROM->TO	ELK CITY 230KV (ELKCTY-6) 230/138/13.8KV TRANSFORMER CKT 1	287	316	0.10525	96.7	SPP-SWPS-01
FDNS- CHECK-TC- Iteration Limit Exceeded.	06ALL	3	15G	G14_054	FROM->TO	ELK CITY 230KV (ELKCTY-6) 230/138/13.8KV TRANSFORMER CKT 1	287	316	0.0782	96.7	DBL-G1114-WW
FDNS	06ALL	3	15G	G14_054	FROM->TO	ELK CITY 230KV (ELKCTY-6) 230/138/13.8KV TRANSFORMER CKT 1	287	316	0.10447	96.5	SPSCONT-01
FDNS	06ALL	3	15G	G14_054	FROM->TO	ELK CITY 230KV (ELKCTY-6) 230/138/13.8KV TRANSFORMER CKT 1	287	316	0.10447	96.4	OKLAUNION - TUCO INTERCHANGE 345KV CKT 1
FDNS	06ALL	3	15G	G14_054	FROM->TO	ELK CITY 230KV (ELKCTY-6) 230/138/13.8KV TRANSFORMER CKT 1	287	316	0.0782	95.6	DBL-BVR-G111
FDNS- CHECK-TC- Iteration Limit Exceeded.	06ALL	3	15G	G14_054	FROM->TO	ELK CITY 230KV (ELKCTY-6) 230/138/13.8KV TRANSFORMER CKT 1	287	316	0.0782	95.6	DBL-G1114-WW
FDNS	06ALL	3	15G	G14_054	FROM->TO	ELK CITY 230KV (ELKCTY-6) 230/138/13.8KV TRANSFORMER CKT 1	287	316	0.10525	95.5	SPP-SWPS-01
FDNS	06ALL	3	15G	G14_054	FROM->TO	ELK CITY 230KV (ELKCTY-6) 230/138/13.8KV TRANSFORMER CKT 1	287	316	0.10447	95.3	OKLAUNION - TUCO INTERCHANGE 345KV CKT 1
FDNS	06ALL	3	15SP	G14_054	TO->FROM	FPLATRDG3 - THISTLE4 138.00 138KV CKT 1	286	286	0.04653	98.1	DBL-THIS-WIC
FDNS	06ALL	3	15G	G14_054	TO->FROM	FPL SWITCH - WOODWARD 138KV CKT 1	133	153	0.04446	161.139	NORTHWEST - TATONGA7 345.00 345KV CKT 1
FDNS	06ALL	3	15G	G14_054	TO->FROM	FPL SWITCH - WOODWARD 138KV CKT 1	133	153	0.05347	159.4606	DBL-THIS-WWR
FDNS	06ALL	3	15G	G14_054	TO->FROM	FPL SWITCH - WOODWARD 138KV CKT 1	133	153	0.04446	157.7752	SPSCONT-05B
FDNS	06ALL	3	15G	G14_054	TO->FROM	FPL SWITCH - WOODWARD 138KV CKT 1	133	153	0.04446	157.1729	SPSCONT-04
FDNS	06ALL	3	15G	G14_054	TO->FROM	FPL SWITCH - WOODWARD 138KV CKT 1	133	153	0.04229	154.0712	DBL-THIS-WIC
FDNS	06ALL	3	15G	G14_054	TO->FROM	FPL SWITCH - WOODWARD 138KV CKT 1	133	153	0.05004	152.6468	LAWTON EASTSIDE - OKLAUNION 345KV CKT 1
FDNS	06ALL	3	15G	G14_054	TO->FROM	FPL SWITCH - WOODWARD 138KV CKT 1	133	153	0.04446	147.5252	G11_051T 345.00 - TATONGA7 345.00 345KV CKT 1
FDNS	06ALL	3	15G	G14_054	TO->FROM	FPL SWITCH - WOODWARD 138KV CKT 1	133	153	0.04446	146.2378	G11_051T 345.00 - WOODWARD DISTRICT EHV 345KV CKT 1
FDNS	06ALL	3	15G	G14_054	TO->FROM	FPL SWITCH - WOODWARD 138KV CKT 1	133	153	0.03171	143.417	WOODWARD (WOODWRD2) 138/69/13.2KV TRANSFORMER CKT 1
FDNS	06ALL	3	15G	G14_054	TO->FROM	FPL SWITCH - WOODWARD 138KV CKT 1	133	153	0.04446	143.0314	SPSCONT-05AX
FDNS	06ALL	3	15G	G14_054	TO->FROM	FPL SWITCH - WOODWARD 138KV CKT 1	133	153	0.03895	142.1867	ELK CITY 230KV - SWEETWATER 230KV CKT 1
FDNS	06ALL	3	15G	G14_054	TO->FROM	FPL SWITCH - WOODWARD 138KV CKT 1	133	153	0.03895	142.1522	ELK CITY 230KV (ELKCTY-6) 230/138/13.8KV TRANSFORMER CKT 1
FDNS	06ALL	3	15G	G14_054	TO->FROM	FPL SWITCH - WOODWARD 138KV CKT 1	133	153	0.05004	141.5408	SPSCONT-01
FDNS	06ALL	3	15G	G14_054	TO->FROM	FPL SWITCH - WOODWARD 138KV CKT 1	133	153	0.03913	139.7718	SPP-SWPS-03
FDNS	06ALL	3	15G	G14_054	TO->FROM	FPL SWITCH - WOODWARD 138KV CKT 1	133	153	0.05004	139.4068	OKLAUNION - TUCO INTERCHANGE 345KV CKT 1
FDNS	06ALL	3	15G	G14_054	TO->FROM	FPL SWITCH - WOODWARD 138KV CKT 1	133	153	0.04978	139.2189	SPP-SWPS-01
FDNS	06ALL	3	15G	G14_054	TO->FROM	FPL SWITCH - WOODWARD 138KV CKT 1	133	153	0.03895	138.5807	SPP-SWPS-02A
FDNS	06ALL	3	15G	G14_054	TO->FROM	FPL SWITCH - WOODWARD 138KV CKT 1	133	153	0.03895	138.419	GRAPEVINE INTERCHANGE - STATELINE INTERCHANGE 230KV CKT 1
FDNS	06ALL	3	15G	G14_054	TO->FROM	FPL SWITCH - WOODWARD 138KV CKT 1	133	153	0.03354	137.3554	IODINE - WOODWARD EHV 138KV CKT 1
FDNS	06ALL	3	15G	G14_054	TO->FROM	FPL SWITCH - WOODWARD 138KV CKT 1	133	153	0.03354	135.3142	DEWEY - IODINE 138KV CKT 1
FDNS	06ALL	3	15G	G14_054	TO->FROM	FPL SWITCH - WOODWARD 138KV CKT 1	133	153	0.03895	132.9488	STATELINE INTERCHANGE - STLN-DEMAR6 230KV CKT 1
FDNS	06ALL	3	15G	G14_054	TO->FROM	FPL SWITCH - WOODWARD 138KV CKT 1	133	153	0.03895	132.9455	SPP-SWPS-02
FDNS	06ALL	3	15G	G14_054	TO->FROM	FPL SWITCH - WOODWARD 138KV CKT 1	133	153	0.03895	132.9341	STLN-DEMAR6 - SWEETWATER 230KV CKT 1
FDNS	06ALL	3	15G	G14_054	TO->FROM	FPL SWITCH - WOODWARD 138KV CKT 1	133	153	0.03309	130.4008	GRAPEVINE INTERCHANGE - NICHOLS STATION 230KV CKT 1
FDNS	06ALL	3	15G	G14_054	TO->FROM	FPL SWITCH - WOODWARD 138KV CKT 1	133	153	0.03171	130.0269	WOODWARD - WOODWARD 69KV CKT 1
FDNS	06ALL	3	15G	G14_054	TO->FROM	FPL SWITCH - WOODWARD 138KV CKT 1	133	153	0.03453	126.1489	THISTLE7 345.00 - WOODWARD DISTRICT EHV 345KV CKT 1
FDNS	06ALL	3	15G	G14_054	TO->FROM	FPL SWITCH - WOODWARD 138KV CKT 1	133	153	0.03453	126.1489	THISTLE7 345.00 - WOODWARD DISTRICT EHV 345KV CKT 2
FDNS	06ALL	3	15G	G14_054	TO->FROM	FPL SWITCH - WOODWARD 138KV CKT 1	133	153	0.03337	124.4764	FINNEY SWITCHING STATION - HOLCOMB 345KV CKT 1
FDNS	06ALL	3	15G	G14_054	TO->FROM	FPL SWITCH - WOODWARD 138KV CKT 1	133	153	0.03148	124.1911	THISTLE7 345.00 - WICHITA 345KV CKT 1
FDNS	06ALL	3	15G	G14_054	TO->FROM	FPL SWITCH - WOODWARD 138KV CKT 1	133	153	0.03148	124.1911	THISTLE7 345.00 - WICHITA 345KV CKT 2
FDNS	06ALL	3	15G	G14_054	TO->FROM	FPL SWITCH - WOODWARD 138KV CKT 1	133	153	0.03337	123.2348	SPP-SWPS-05
FDNS	06ALL	3	15G	G14_054	TO->FROM	FPL SWITCH - WOODWARD 138KV CKT 1	133	153	0.03337	123.1767	FINNEY SWITCHING STATION - Hitchland Interchange 345KV CKT 1
FDNS	06ALL	3	15G	G14_054	TO->FROM	FPL SWITCH - WOODWARD 138KV CKT 1	133	153	0.03084	120.7358	ELLIS 4 138.00 - RED HILLS WIND 138KV CKT 1
FDNS	06ALL	3	15G	G14_054	TO->FROM	FPL SWITCH - WOODWARD 138KV CKT 1	133	153	0.03084	118.208	ELLIS 4 138.00 - MOREWOOD SW 138KV CKT 1
FDNS	06ALL	3	15SP	G14_054	TO->FROM	FPL SWITCH - WOODWARD 138KV CKT 1	133	153	0.05687	111.727	DBL-THIS-WWR
FDNS	06ALL	3	15G	G14_054	TO->FROM	FPL SWITCH - WOODWARD 138KV CKT 1	133	153	0.03084	106.2134	ELK CITY - RED HILLS WIND 138KV CKT 1
FDNS	06ALL	3	15SP	G14_054	TO->FROM	FPL SWITCH - WOODWARD 138KV CKT 1	133	153	0.04756	105.3474	NORTHWEST - TATONGA7 345.00 345KV CKT 1
FDNS	06ALL	3	15SP	G14_054	TO->FROM	FPL SWITCH - WOODWARD 138KV CKT 1	133	153	0.05314	104.763	LAWTON EASTSIDE - OKLAUNION 345KV CKT 1
FDNS	06ALL	3	15SP	G14_054	TO->FROM	FPL SWITCH - WOODWARD 138KV CKT 1	133	153	0.04756	102.5806	SPSCONT-05B
FDNS	06ALL	3	15SP	G14_054	TO->FROM	FPL SWITCH - WOODWARD 138KV CKT 1	133	153	0.04756	101.4405	SPSCONT-04
FDNS	06ALL	3	15SP	G14_054	TO->FROM	FPL SWITCH - WOODWARD 138KV CKT 1	133	153	0.04539	100.7966	DBL-THIS-WIC
FDNS	06ALL	3	15SP	G14_054	TO->FROM	FPL SWITCH - WOODWARD 138KV CKT 1	133	153	0.03519	97.7	WOODWARD (WOODWRD2) 138/69/13.2KV TRANSFORMER CKT 1
FDNS	06ALL	3	20WP	G14_054	TO->FROM	FPL SWITCH - WOODWARD 138KV CKT 1	171	185	0.05067	96.7	NORTHWEST - TATONGA7 345.00 345KV CKT 1
FDNS	06ALL	3	20WP	G14_054	TO->FROM	FPL SWITCH - WOODWARD 138KV CKT 1	171	185	0.06039	96	DBL-THIS-WWR
FDNS	06ALL	3	15G	G14_054	TO->FROM	GRAPEVINE INTERCHANGE - NICHOLS STATION 230KV CKT 1	319	351	0.09395	104.2251	LAWTON EASTSIDE - OKLAUNION 345KV CKT 1
FDNS	06ALL	3	20WP	G14_054	TO->FROM	GRAPEVINE INTERCHANGE - NICHOLS STATION 230KV CKT 1	329	361	0.12619	102.6177	LAWTON EASTSIDE - OKLAUNION 345KV CKT 1
FDNS	06ALL	3	15SP	G14_054	TO->FROM	GRAPEVINE INTERCHANGE - NICHOLS STATION 230KV CKT 1	319	351	0.09548	99.55151	LAWTON EASTSIDE - OKLAUNION 345KV CKT 1
FDNS	06ALL	3	15G	G14_054	FROM->TO	GRAPEVINE INTERCHANGE - STATELINE INTERCHANGE 230KV CKT 1	319	351	0.10447	96.19302	LAWTON EASTSIDE - OKLAUNION 345KV CKT 1
FDNS	06ALL	3	15G	G14_054	FROM->TO	HARPER - MILAN TAP 138KV CKT 1	138	143	0.03158	116.387	DBL-THIS-WIC
FDNS	06ALL	3	15SP	G14_054	FROM->TO	HARPER - MILAN TAP 138KV CKT 1	127	136	0.03182	104.4151	DBL-THIS-WIC

SOLUTION	GROUP	SCENARIO	SEASON	SOURCE	DIRECTION	MONITORED ELEMENT	RATEA (MVA)	RATEB(MVA)	TC%LOADING TDF (% MVA)	CONTINGENCY	
FDNS	06ALL	3	15WP	G14_054	FROM->TO	HARPER - MILAN TAP 138KV CKT 1	143	143	0.03184	102.7046	DBL-THIS-WIC
FDNS	06ALL	3	15SP	G14_054	TO->FROM	PLANT X STATION - TOLK STATION EAST 230KV CKT 2	478	502	0.07394	129.4925	PLANT X STATION - TOLK STATION WEST 230KV CKT 1
FDNS	06ALL	3	15G	G14_054	TO->FROM	PLANT X STATION - TOLK STATION EAST 230KV CKT 2	478	502	0.05659	106.1344	SPP-SWPS-06
FDNS	06ALL	3	15G	G14_054	TO->FROM	PLANT X STATION - TOLK STATION EAST 230KV CKT 2	478	502	0.0734	100.1644	PLANT X STATION - TOLK STATION WEST 230KV CKT 1
FDNS	06ALL	3	15WP	G14_054	TO->FROM	PLANT X STATION - TOLK STATION EAST 230KV CKT 2	557	557	0.07191	99.6	PLANT X STATION - TOLK STATION WEST 230KV CKT 1
FDNS	06ALL	3	20SP	G14_054	TO->FROM	PLANT X STATION - TOLK STATION EAST 230KV CKT 2	478	502	0.06377	96.2	PLANT X STATION - TOLK STATION WEST 230KV CKT 1
FDNS	06ALL	3	15SP	G14_054	TO->FROM	PLANT X STATION - TOLK STATION WEST 230KV CKT 1	478	502	0.07445	130.4861	PLANT X STATION - TOLK STATION EAST 230KV CKT 2
FDNS	06ALL	3	15G	G14_054	TO->FROM	PLANT X STATION - TOLK STATION WEST 230KV CKT 1	478	502	0.07392	100.9378	PLANT X STATION - TOLK STATION EAST 230KV CKT 2
FDNS	06ALL	3	15WP	G14_054	TO->FROM	PLANT X STATION - TOLK STATION WEST 230KV CKT 1	557	557	0.07242	100.422	PLANT X STATION - TOLK STATION EAST 230KV CKT 2
FDNS	06ALL	3	20SP	G14_054	TO->FROM	PLANT X STATION - TOLK STATION WEST 230KV CKT 1	478	502	0.06429	97	PLANT X STATION - TOLK STATION EAST 230KV CKT 2
FDNS	06ALL	3	25SP	G14_054	FROM->TO	WOLFFORTH INTERCHANGE (WH 7001668) 230/115/13.2KV TRANSFORMER CKT 1	120	154	0.06131	112.3965	CARLISLE INTERCHANGE (CARLISLE_XF) 230/115/13.2KV TRANSFORMER CKT 1
FDNS	06ALL	3	25SP	G14_054	FROM->TO	WOLFFORTH INTERCHANGE (WH 7001668) 230/115/13.2KV TRANSFORMER CKT 1	120	154	0.04283	111.6547	CARLISLE INTERCHANGE - LP-DOUD_TP 3115.00 115KV CKT 1
FDNS	06ALL	3	25SP	G14_054	FROM->TO	WOLFFORTH INTERCHANGE (WH 7001668) 230/115/13.2KV TRANSFORMER CKT 1	120	154	0.04283	106.924	CARLISLE INTERCHANGE - LP-DOUD_TP 3115.00 115KV CKT 1
FDNS	06ALL	3	25SP	G14_054	FROM->TO	WOLFFORTH INTERCHANGE (WH 7001668) 230/115/13.2KV TRANSFORMER CKT 1	120	154	0.06131	106.773	CARLISLE INTERCHANGE (CARLISLE_XF) 230/115/13.2KV TRANSFORMER CKT 1
FDNS	06ALL	3	25SP	G14_054	FROM->TO	WOLFFORTH INTERCHANGE (WH 7001668) 230/115/13.2KV TRANSFORMER CKT 1	120	154	0.06266	100.1136	SUNDOWN INTERCHANGE - WOLFFORTH INTERCHANGE 230KV CKT 1
FDNS	06ALL	3	25SP	G14_054	FROM->TO	WOLFFORTH INTERCHANGE (WH 7001668) 230/115/13.2KV TRANSFORMER CKT 1	120	154	0.04283	97	LP-DOUD_TP 3115.00 - SP-WOLF_TP 3115.00 115KV CKT 1
FDNS	06ALL	3	20SP	G14_054	FROM->TO	WOLFFORTH INTERCHANGE (WH 7001668) 230/115/13.2KV TRANSFORMER CKT 1	120	154	0.06135	96	CARLISLE INTERCHANGE (CARLISLE_XF) 230/115/13.2KV TRANSFORMER CKT 1
FDNS	06ALL	3	25SP	G14_054	FROM->TO	WOLFFORTH INTERCHANGE (WH 7001668) 230/115/13.2KV TRANSFORMER CKT 1	120	154	0.06266	95.1	SUNDOWN INTERCHANGE - WOLFFORTH INTERCHANGE 230KV CKT 1
FDNS	06ALL	4	15G	G14_054	FROM->TO	CLEARWATER - GILL ENERGY CENTER WEST 138KV CKT 1	143	143	0.03158	100.3353	DBL-THIS-WIC
FDNS	06ALL	4	15G	G14_054	TO->FROM	CLEARWATER - MILAN TAP 138KV CKT 1	110	110	0.03158	139.9081	DBL-THIS-WIC
FDNS	06ALL	4	20WP	G14_054	TO->FROM	CLEARWATER - MILAN TAP 138KV CKT 1	110	110	0.0324	108.5249	DBL-THIS-WIC
FDNS	06ALL	4	15WP	G14_054	TO->FROM	CLEARWATER - MILAN TAP 138KV CKT 1	110	110	0.03184	106.1126	DBL-THIS-WIC
FDNS	06ALL	4	15SP	G14_054	TO->FROM	CLEARWATER - MILAN TAP 138KV CKT 1	110	110	0.03182	99.9	DBL-THIS-WIC
FDNS	06ALL	4	20SP	G14_054	FROM->TO	CURRY COUNTY INTERCHANGE - DEAF SMITH REC-#20 115KV CKT 1	96	96	0.03083	104.6276	DEAF SMITH COUNTY INTERCHANGE - PLANT X STATION 230KV CKT 1
FDNS	06ALL	4	15SP	G14_054	TO->FROM	DEAF SMITH COUNTY INTERCHANGE - PLANT X STATION 230KV CKT 1	319	351	0.12639	109.4404	LAWTON EASTSIDE - OKLAUNION 345KV CKT 1
FDNS	06ALL	4	15SP	G14_054	TO->FROM	DEAF SMITH COUNTY INTERCHANGE - PLANT X STATION 230KV CKT 1	319	351	0.10117	96.9	NEWHART 230 - PLANT X STATION 230KV CKT 1
FDNS	06ALL	4	15SP	G14_054	TO->FROM	DEAF SMITH COUNTY INTERCHANGE - PLANT X STATION 230KV CKT 1	319	351	0.12785	96.2	SPP-SWPS-01
FDNS	06ALL	4	15SP	G14_054	TO->FROM	DEAF SMITH COUNTY INTERCHANGE - PLANT X STATION 230KV CKT 1	319	351	0.12639	96	SPSCONT-01
FDNS	06ALL	4	15SP	G14_054	TO->FROM	DEAF SMITH COUNTY INTERCHANGE - PLANT X STATION 230KV CKT 1	319	351	0.12639	95.8	OKLAUNION - TUCO INTERCHANGE 345KV CKT 1
FDNS	06ALL	4	15G	G14_054	FROM->TO	ELK CITY 230KV (ELKCTY-6) 230/138/13.8KV TRANSFORMER CKT 1	287	316	0.10447	106.8002	LAWTON EASTSIDE - OKLAUNION 345KV CKT 1
FDNS	06ALL	4	15G	G14_054	FROM->TO	ELK CITY 230KV (ELKCTY-6) 230/138/13.8KV TRANSFORMER CKT 1	287	316	0.10447	104.9708	LAWTON EASTSIDE - OKLAUNION 345KV CKT 1
FDNS	06ALL	4	15SP	G14_054	FROM->TO	ELK CITY 230KV (ELKCTY-6) 230/138/13.8KV TRANSFORMER CKT 1	272	316	0.11206	100.0245	LAWTON EASTSIDE - OKLAUNION 345KV CKT 1
FDNS	06ALL	4	15WP	G14_054	FROM->TO	ELK CITY 230KV (ELKCTY-6) 230/138/13.8KV TRANSFORMER CKT 1	287	316	0.11554	99.80477	LAWTON EASTSIDE - OKLAUNION 345KV CKT 1
FDNS	06ALL	4	15SP	G14_054	FROM->TO	ELK CITY 230KV (ELKCTY-6) 230/138/13.8KV TRANSFORMER CKT 1	272	316	0.11206	98.59045	LAWTON EASTSIDE - OKLAUNION 345KV CKT 1
FDNS	06ALL	4	15WP	G14_054	FROM->TO	ELK CITY 230KV (ELKCTY-6) 230/138/13.8KV TRANSFORMER CKT 1	287	316	0.11554	98.40416	LAWTON EASTSIDE - OKLAUNION 345KV CKT 1
FDNS	06ALL	4	15G	G14_054	FROM->TO	ELK CITY 230KV (ELKCTY-6) 230/138/13.8KV TRANSFORMER CKT 1	287	316	0.10447	97.5	SPSCONT-01
FDNS	06ALL	4	15G	G14_054	FROM->TO	ELK CITY 230KV (ELKCTY-6) 230/138/13.8KV TRANSFORMER CKT 1	287	316	0.10525	96.7	SPP-SWPS-01
FDNS-CHECK-TC-Iteration Limit Exceeded.	06ALL	4	15G	G14_054	FROM->TO	ELK CITY 230KV (ELKCTY-6) 230/138/13.8KV TRANSFORMER CKT 1	287	316	0.0782	96.7	DBL-G1114-WW
FDNS	06ALL	4	15G	G14_054	FROM->TO	ELK CITY 230KV (ELKCTY-6) 230/138/13.8KV TRANSFORMER CKT 1	287	316	0.10447	96.5	SPSCONT-01
FDNS	06ALL	4	15G	G14_054	FROM->TO	ELK CITY 230KV (ELKCTY-6) 230/138/13.8KV TRANSFORMER CKT 1	287	316	0.10447	96.4	OKLAUNION - TUCO INTERCHANGE 345KV CKT 1
FDNS	06ALL	4	15G	G14_054	FROM->TO	ELK CITY 230KV (ELKCTY-6) 230/138/13.8KV TRANSFORMER CKT 1	287	316	0.0782	95.6	DBL-BVR-G111
FDNS-CHECK-TC-Iteration Limit Exceeded.	06ALL	4	15G	G14_054	FROM->TO	ELK CITY 230KV (ELKCTY-6) 230/138/13.8KV TRANSFORMER CKT 1	287	316	0.0782	95.6	DBL-G1114-WW
FDNS	06ALL	4	15G	G14_054	FROM->TO	ELK CITY 230KV (ELKCTY-6) 230/138/13.8KV TRANSFORMER CKT 1	287	316	0.10525	95.5	SPP-SWPS-01
FDNS	06ALL	4	15G	G14_054	FROM->TO	ELK CITY 230KV (ELKCTY-6) 230/138/13.8KV TRANSFORMER CKT 1	287	316	0.10447	95.3	OKLAUNION - TUCO INTERCHANGE 345KV CKT 1
FDNS	06ALL	4	15SP	G14_054	TO->FROM	FLATRDG3 - THISTLE4 138.00 138KV CKT 1	286	286	0.04653	98.1	DBL-THIS-WIC
FDNS	06ALL	4	15G	G14_054	TO->FROM	FPL SWITCH - WOODWARD 138KV CKT 1	133	153	0.04446	161.139	NORTHWEST - TATONGA7 345.00 345KV CKT 1
FDNS	06ALL	4	15G	G14_054	TO->FROM	FPL SWITCH - WOODWARD 138KV CKT 1	133	153	0.05347	159.4606	DBL-THIS-WWR
FDNS	06ALL	4	15G	G14_054	TO->FROM	FPL SWITCH - WOODWARD 138KV CKT 1	133	153	0.04446	157.7752	SPSCONT-05B
FDNS	06ALL	4	15G	G14_054	TO->FROM	FPL SWITCH - WOODWARD 138KV CKT 1	133	153	0.04446	157.1729	SPSCONT-04
FDNS	06ALL	4	15G	G14_054	TO->FROM	FPL SWITCH - WOODWARD 138KV CKT 1	133	153	0.04229	154.0712	DBL-THIS-WIC
FDNS	06ALL	4	15G	G14_054	TO->FROM	FPL SWITCH - WOODWARD 138KV CKT 1	133	153	0.05004	152.6468	LAWTON EASTSIDE - OKLAUNION 345KV CKT 1
FDNS	06ALL	4	15G	G14_054	TO->FROM	FPL SWITCH - WOODWARD 138KV CKT 1	133	153	0.04446	147.5252	G11_051T 345.00 - TATONGA7 345.00 345KV CKT 1
FDNS	06ALL	4	15G	G14_054	TO->FROM	FPL SWITCH - WOODWARD 138KV CKT 1	133	153	0.04446	146.2378	G11_051T 345.00 - WOODWARD DISTRICT EHV 345KV CKT 1
FDNS	06ALL	4	15G	G14_054	TO->FROM	FPL SWITCH - WOODWARD 138KV CKT 1	133	153	0.03171	143.417	WOODWARD (WOODWRD2) 138/69/13.2KV TRANSFORMER CKT 1
FDNS	06ALL	4	15G	G14_054	TO->FROM	FPL SWITCH - WOODWARD 138KV CKT 1	133	153	0.04446	143.0315	SPSCONT-05AX
FDNS	06ALL	4	15G	G14_054	TO->FROM	FPL SWITCH - WOODWARD 138KV CKT 1	133	153	0.03895	142.1867	ELK CITY 230KV - SWEETWATER 230KV CKT 1
FDNS	06ALL	4	15G	G14_054	TO->FROM	FPL SWITCH - WOODWARD 138KV CKT 1	133	153	0.03895	142.1522	ELK CITY 230KV (ELKCTY-6) 230/138/13.8KV TRANSFORMER CKT 1
FDNS	06ALL	4	15G	G14_054	TO->FROM	FPL SWITCH - WOODWARD 138KV CKT 1	133	153	0.05004	141.5408	SPSCONT-01
FDNS	06ALL	4	15G	G14_054	TO->FROM	FPL SWITCH - WOODWARD 138KV CKT 1	133	153	0.03913	139.7718	SPP-SWPS-03
FDNS	06ALL	4	15G	G14_054	TO->FROM	FPL SWITCH - WOODWARD 138KV CKT 1	133	153	0.05004	139.4068	OKLAUNION - TUCO INTERCHANGE 345KV CKT 1
FDNS	06ALL	4	15G	G14_054	TO->FROM	FPL SWITCH - WOODWARD 138KV CKT 1	133	153	0.04978	139.2189	SPP-SWPS-01
FDNS	06ALL	4	15G	G14_054	TO->FROM	FPL SWITCH - WOODWARD 138KV CKT 1	133	153	0.03895	138.5807	SPP-SWPS-02A

SOLUTION	GROUP	SCENARIO	SEASON	SOURCE	DIRECTION	MONITORED ELEMENT	RATEA (MVA)	RATEB(MVA)	TDF	TC%LOADING (% MVA)	CONTINGENCY
FDNS	06ALL	4	15G	G14_054	TO->FROM	FPL SWITCH - WOODWARD 138KV CKT 1	133	153	0.03895	138.419	GRAPEVINE INTERCHANGE - STATELINE INTERCHANGE 230KV CKT 1
FDNS	06ALL	4	15G	G14_054	TO->FROM	FPL SWITCH - WOODWARD 138KV CKT 1	133	153	0.03354	137.3554	IODINE - WOODWARD EHV 138KV CKT 1
FDNS	06ALL	4	15G	G14_054	TO->FROM	FPL SWITCH - WOODWARD 138KV CKT 1	133	153	0.03354	135.3142	DEWEY - IODINE 138KV CKT 1
FDNS	06ALL	4	15G	G14_054	TO->FROM	FPL SWITCH - WOODWARD 138KV CKT 1	133	153	0.03895	132.9488	STATELINE INTERCHANGE - STLN-DEMARC6 230KV CKT 1
FDNS	06ALL	4	15G	G14_054	TO->FROM	FPL SWITCH - WOODWARD 138KV CKT 1	133	153	0.03895	132.9455	SPP-SWPS-02
FDNS	06ALL	4	15G	G14_054	TO->FROM	FPL SWITCH - WOODWARD 138KV CKT 1	133	153	0.03895	132.9341	STLN-DEMARC6 - SWEETWATER 230KV CKT 1
FDNS	06ALL	4	15G	G14_054	TO->FROM	FPL SWITCH - WOODWARD 138KV CKT 1	133	153	0.03309	130.4008	GRAPEVINE INTERCHANGE - NICHOLS STATION 230KV CKT 1
FDNS	06ALL	4	15G	G14_054	TO->FROM	FPL SWITCH - WOODWARD 138KV CKT 1	133	153	0.03171	130.0269	WOODWARD - WOODWARD 69KV CKT 1
FDNS	06ALL	4	15G	G14_054	TO->FROM	FPL SWITCH - WOODWARD 138KV CKT 1	133	153	0.03453	126.1489	THISTLE7 345.00 - WOODWARD DISTRICT EHV 345KV CKT 1
FDNS	06ALL	4	15G	G14_054	TO->FROM	FPL SWITCH - WOODWARD 138KV CKT 1	133	153	0.03453	126.1489	THISTLE7 345.00 - WOODWARD DISTRICT EHV 345KV CKT 2
FDNS	06ALL	4	15G	G14_054	TO->FROM	FPL SWITCH - WOODWARD 138KV CKT 1	133	153	0.03337	124.4764	FINNEY SWITCHING STATION - HOLCOMB 345KV CKT 1
FDNS	06ALL	4	15G	G14_054	TO->FROM	FPL SWITCH - WOODWARD 138KV CKT 1	133	153	0.03148	124.1911	THISTLE7 345.00 - WICHITA 345KV CKT 1
FDNS	06ALL	4	15G	G14_054	TO->FROM	FPL SWITCH - WOODWARD 138KV CKT 1	133	153	0.03148	124.1911	THISTLE7 345.00 - WICHITA 345KV CKT 2
FDNS	06ALL	4	15G	G14_054	TO->FROM	FPL SWITCH - WOODWARD 138KV CKT 1	133	153	0.03337	123.2349	SPP-SWPS-05
FDNS	06ALL	4	15G	G14_054	TO->FROM	FPL SWITCH - WOODWARD 138KV CKT 1	133	153	0.03337	123.1767	FINNEY SWITCHING STATION - Hitchland Interchange 345KV CKT 1
FDNS	06ALL	4	15G	G14_054	TO->FROM	FPL SWITCH - WOODWARD 138KV CKT 1	133	153	0.03084	120.7359	ELLIS 4 138.00 - RED HILLS WIND 138KV CKT 1
FDNS	06ALL	4	15G	G14_054	TO->FROM	FPL SWITCH - WOODWARD 138KV CKT 1	133	153	0.03084	118.208	ELLIS 4 138.00 - MOREWOOD SW 138KV CKT 1
FDNS	06ALL	4	15SP	G14_054	TO->FROM	FPL SWITCH - WOODWARD 138KV CKT 1	133	153	0.05687	111.727	DBL-THIS-WWR
FDNS	06ALL	4	15G	G14_054	TO->FROM	FPL SWITCH - WOODWARD 138KV CKT 1	133	153	0.03084	106.2134	ELK CITY - RED HILLS WIND 138KV CKT 1
FDNS	06ALL	4	15SP	G14_054	TO->FROM	FPL SWITCH - WOODWARD 138KV CKT 1	133	153	0.04756	105.3474	NORTHWEST - TATONGA7 345.00 345KV CKT 1
FDNS	06ALL	4	15SP	G14_054	TO->FROM	FPL SWITCH - WOODWARD 138KV CKT 1	133	153	0.05314	104.7642	LAWTON EASTSIDE - OKLAUNION 345KV CKT 1
FDNS	06ALL	4	15SP	G14_054	TO->FROM	FPL SWITCH - WOODWARD 138KV CKT 1	133	153	0.04756	102.5806	SPSCONT-05B
FDNS	06ALL	4	15SP	G14_054	TO->FROM	FPL SWITCH - WOODWARD 138KV CKT 1	133	153	0.04756	101.4405	SPSCONT-04
FDNS	06ALL	4	15SP	G14_054	TO->FROM	FPL SWITCH - WOODWARD 138KV CKT 1	133	153	0.04539	100.7966	DBL-THIS-WIC
FDNS	06ALL	4	15SP	G14_054	TO->FROM	FPL SWITCH - WOODWARD 138KV CKT 1	133	153	0.03519	97.7	WOODWARD (WOODWRD2) 138/69/13.2KV TRANSFORMER CKT 1
FDNS	06ALL	4	20WP	G14_054	TO->FROM	FPL SWITCH - WOODWARD 138KV CKT 1	171	185	0.05067	96.7	NORTHWEST - TATONGA7 345.00 345KV CKT 1
FDNS	06ALL	4	20WP	G14_054	TO->FROM	FPL SWITCH - WOODWARD 138KV CKT 1	171	185	0.06039	96	DBL-THIS-WWR
FDNS	06ALL	4	15G	G14_054	TO->FROM	GRAPEVINE INTERCHANGE - NICHOLS STATION 230KV CKT 1	319	351	0.09395	104.2251	LAWTON EASTSIDE - OKLAUNION 345KV CKT 1
FDNS	06ALL	4	20WP	G14_054	TO->FROM	GRAPEVINE INTERCHANGE - NICHOLS STATION 230KV CKT 1	329	361	0.12619	102.6177	LAWTON EASTSIDE - OKLAUNION 345KV CKT 1
FDNS	06ALL	4	15SP	G14_054	TO->FROM	GRAPEVINE INTERCHANGE - NICHOLS STATION 230KV CKT 1	319	351	0.09548	99.55219	LAWTON EASTSIDE - OKLAUNION 345KV CKT 1
FDNS	06ALL	4	15G	G14_054	FROM->TO	GRAPEVINE INTERCHANGE - STATELINE INTERCHANGE 230KV CKT 1	319	351	0.10447	96.19302	LAWTON EASTSIDE - OKLAUNION 345KV CKT 1
FDNS	06ALL	4	15G	G14_054	FROM->TO	HARPER - MILAN TAP 138KV CKT 1	138	143	0.03158	116.387	DBL-THIS-WIC
FDNS	06ALL	4	15SP	G14_054	FROM->TO	HARPER - MILAN TAP 138KV CKT 1	127	136	0.03182	104.4151	DBL-THIS-WIC
FDNS	06ALL	4	15WP	G14_054	FROM->TO	HARPER - MILAN TAP 138KV CKT 1	143	143	0.03184	102.7046	DBL-THIS-WIC
FDNS	06ALL	4	25SP	G14_054	FROM->TO	WOLFFORTH INTERCHANGE (WH 7001668) 230/115/13.2KV TRANSFORMER CKT 1	120	154	0.06131	112.3965	CARLISLE INTERCHANGE (CARLISLE_XF) 230/115/13.2KV TRANSFORMER CKT 1
FDNS	06ALL	4	25SP	G14_054	FROM->TO	WOLFFORTH INTERCHANGE (WH 7001668) 230/115/13.2KV TRANSFORMER CKT 1	120	154	0.04283	111.6547	CARLISLE INTERCHANGE - LP-DOUD_TP 3115.00 115KV CKT 1
FDNS	06ALL	4	25SP	G14_054	FROM->TO	WOLFFORTH INTERCHANGE (WH 7001668) 230/115/13.2KV TRANSFORMER CKT 1	120	154	0.04283	106.924	CARLISLE INTERCHANGE - LP-DOUD_TP 3115.00 115KV CKT 1
FDNS	06ALL	4	25SP	G14_054	FROM->TO	WOLFFORTH INTERCHANGE (WH 7001668) 230/115/13.2KV TRANSFORMER CKT 1	120	154	0.06131	106.773	CARLISLE INTERCHANGE (CARLISLE_XF) 230/115/13.2KV TRANSFORMER CKT 1
FDNS	06ALL	4	25SP	G14_054	FROM->TO	WOLFFORTH INTERCHANGE (WH 7001668) 230/115/13.2KV TRANSFORMER CKT 1	120	154	0.06266	100.1136	SUNDOWN INTERCHANGE - WOLFFORTH INTERCHANGE 230KV CKT 1
FDNS	06ALL	4	25SP	G14_054	FROM->TO	WOLFFORTH INTERCHANGE (WH 7001668) 230/115/13.2KV TRANSFORMER CKT 1	120	154	0.04283	97	LP-DOUD_TP 3115.00 - SP-WOLF_TP 3115.00 115KV CKT 1
FDNS	06ALL	4	20SP	G14_054	FROM->TO	WOLFFORTH INTERCHANGE (WH 7001668) 230/115/13.2KV TRANSFORMER CKT 1	120	154	0.06135	96	CARLISLE INTERCHANGE (CARLISLE_XF) 230/115/13.2KV TRANSFORMER CKT 1
FDNS	06ALL	4	25SP	G14_054	FROM->TO	WOLFFORTH INTERCHANGE (WH 7001668) 230/115/13.2KV TRANSFORMER CKT 1	120	154	0.06266	95.1	SUNDOWN INTERCHANGE - WOLFFORTH INTERCHANGE 230KV CKT 1

I: Power Flow Analysis (Constraints from Multi-Contingencies)

Available upon request. Contact SPP Generation Interconnection Studies for details.