



**Definitive Interconnection
System Impact Study for
Generation Interconnection
Requests**

(DISIS-2014-001-1)

October 2014

Generator Interconnection

Revision History

Date	Author	Change Description
07/31/2014	SPP	Report Issued (DISIS-2014-001)
10/31/2014	SPP	Account for Withdrawn Projects, Report Re-Posted (DISIS-2014-001-1)

Executive Summary

Pursuant to the Generator Interconnection Procedures (GIP) of the Southwest Power Pool (SPP) Open Access Transmission Tariff (OATT), SPP has conducted this Definitive Interconnection System Impact Study (DISIS). The Interconnection Customers' requests have been clustered together for the following System Impact Cluster Study window which closed March 31, 2014. The customers will be referred to in this study as the DISIS-2014-001 Interconnection Customers. This System Impact Study analyzes the interconnecting of multiple generation interconnection requests associated with new generation totaling approximately 637.6 MW of new generation which would be located within the transmission systems of Nebraska Public Power District (NPPD), Oklahoma Gas and Electric (OKGE), Southwestern Public Service (SPS), and Westar Energy, Inc. (WERE). The various generation interconnection requests have differing proposed in-service dates¹. The generation interconnection requests included in this System Impact Cluster Study are listed in Appendix A by their queue number, amount, requested interconnection service, area, requested interconnection point, proposed interconnection point, and the requested in-service date.

Power flow analysis has indicated that for the power flow cases studied, 637.6 MW of nameplate generation may be interconnected with transmission system reinforcements within the SPP transmission system. Dynamic stability and power factor analysis has determined the need for reactive compensation in accordance with FERC Order #661A for wind farm interconnection requests and those requirements are listed for each interconnection request within the contents of this report. Dynamic stability analysis has determined that the transmission system will remain stable with the assigned Network Upgrades and necessary reactive compensation requirements.

In no way does this study guarantee operation for all periods of time. This interconnection study identifies and assigns transmission reinforcements for Energy Resource (ER) interconnection injection constraints (defined as a 20% distribution factor impact) and Network Resource (NR) constraints, if requested by the Customer. This interconnection study does not assign transmission reinforcements for all potential transmission constraints. It should be noted that although this study analyzed many of the most probable contingencies, it is not an all-inclusive list and cannot account for every operational situation. Because of this, it is likely that the Customer(s) may be required to reduce their generation output to 0 MW, also known as curtailment, under certain system conditions to allow system operators to maintain the reliability of the transmission network.

The total estimated minimum cost for interconnecting the DISIS-2014-001 Interconnection Customers is estimated at \$31,721,580. These costs are shown in Appendix E and F. Interconnection Service to DISIS-2014-001 Interconnection Customers is also contingent upon

¹ The generation interconnection requests in-service dates will need to be deferred based on the required lead time for the Network Upgrades necessary. The Interconnection Customers that proceed to the Facility Study will be provided a new in-service date based on the Facility Study's time for completion of the Network Upgrades necessary.

higher queued customers paying for certain required network upgrades. **The in-service date for the DISIS customers will be deferred until the construction of these network upgrades can be completed.**

These costs do not include the Interconnection Customer Interconnection Facilities as defined by the SPP Open Access Transmission Tariff (OATT). This cost does not include additional network constraints in the SPP transmission system identified and shown in Appendix H.

Network constraints listed in Appendix H are in the local area of the new generation when this generation is injected throughout the SPP footprint for Energy Resource Interconnection Service (ERIS) requests. Certain Interconnection Requests were also studied for Network Resource Interconnection Service (NRIS). Those constraints are also listed in Appendix H. Additional network constraints will have to be verified with a Transmission Service Request (TSR) and associated studies. With a defined source and sink in a TSR, this list of Network Constraints will be refined and expanded to account for all Network Upgrade requirements.

The required interconnection costs listed in Appendix E and F do not include all costs associated with the deliverability of the energy to final customers. These costs are determined by separate studies if the Customer submits a Transmission Service Request through SPP's Open Access Same Time Information System (OASIS) as required by Attachment Z1 of the SPP OATT.

Table of Contents

Introduction..... 1

Model Development 2

Identification of Network Constraints..... 6

Determination of Cost Allocated Network Upgrades..... 6

Required Interconnection Facilities 7

Power Flow Analysis 8

Stability Analysis..... 11

Conclusion 14

Appendices 15

 A: Generation Interconnection Requests Considered for Impact Study..... A0

 B: Prior Queued Interconnection Requests..... B0

 C: Study Groupings C0

 D: Proposed Point of Interconnection One Line Diagrams D0

 E: Cost Allocation per Interconnection Request (Including Prior Queued Upgrades) E0

 F: Cost Allocation per Proposed Study Network Upgrade F0

 G: Power Flow Analysis (Constraints Used For Mitigation)..... G0

 H: Power Flow Analysis (Other Constraints Not Requiring Mitigation) H0

 I: Power Flow Analysis (Constraints from Category C Contingencies) I0

 J: Group 1 Dynamic Stability Analysis Report..... J0

 K: Group 6 Dynamic Stability Analysis Report K0

 L: Group 8 Dynamic Stability Analysis Report L0

 M: Group 9 Dynamic Stability Analysis Report..... M0

 N: Group 13 Dynamic Stability Analysis Report N0

Introduction

Pursuant to the Southwest Power Pool (SPP) Open Access Transmission Tariff (OATT), SPP has conducted this Definitive Interconnection System Impact Study (DISIS) for certain generation interconnection requests in the SPP Generation Interconnection Queue. These interconnection requests have been clustered together for the following System Impact Study window which closed March 31, 2014. The customers will be referred to in this study as the DISIS-2014-001 Interconnection Customers. This DISIS analyzes the interconnecting of multiple generation interconnection requests associated with new generation totaling 637.6 MW of new generation which would be located within the transmission systems of Nebraska Public Power District (NPPD), Oklahoma Gas and Electric (OKGE), Southwestern Public Service (SPS), and Westar Energy, Inc. (WERE). The various generation interconnection requests have differing proposed in-service dates². The generation interconnection requests included in this System Impact Study are listed in Appendix A by their queue number, amount, requested interconnection service, area, requested interconnection point, proposed interconnection point, and the requested in-service date.

The primary objective of this DISIS is to identify the system constraints associated with connecting the generation to the area transmission system. The Impact Study and other subsequent Interconnection Studies are designed to identify required interconnection facilities, Network Upgrades and other Direct Assignment Facilities needed to accept power into the grid at each specific interconnection receipt point.

² The generation interconnection requests in-service dates will need to be deferred based on the required lead time for the Network Upgrades necessary. The Interconnection Customers that proceed to the Facility Study will be provided a new in-service date based on the completion of the Facility Study.

Model Development

Interconnection Requests Included in the Cluster

SPP included all interconnection requests that submitted a Definitive Interconnection System Impact Study Agreement no later than March 31, 2014 and were subsequently accepted by Southwest Power Pool under the terms of the Generator Interconnection Procedures (GIP) that were in effect at the time this study commenced. The interconnection requests that are included in this study are listed in Appendix A.

Affected System Interconnection Request

Also included in this Definitive Interconnection System Impact Study is one Affected System Study. The Affected System Study Request has been given the designation: ASGI-2014-001. ASGI-2014-001 is a 2.3 MW increase to ASGI-2013-006, which interconnects to the South Plains Electric Cooperative, Inc. System. The Point of Interconnection (POI) for ASGI-2014-001 is at SP-Erskine 115 kV. SP-Erskine 115kV has connections to Southwestern Public Service Indiana and Carlisle 115 kV.

Previously Queued Interconnection Requests

The previous queued requests included in this study are listed in Appendix B. In addition to the Base Case Upgrades, the previous queued requests and associated upgrades were assumed to be in-service and added to the Base Case models. These projects were dispatched as Energy Resources with equal distribution across the SPP footprint. Prior queued projects that requested Network Resource Interconnection Service (NRIS) were dispatched in an additional analysis into the balancing authority of the interconnecting transmission owner.

Development of Base Cases

Power Flow

The 2014 series Transmission Service Request (TSR) Models including the 2015 (spring, summer and winter peak seasons), the 2020 (summer and winter peak seasons), and the 2025 (summer peak season) scenario 0 cases were used for this study. After the cases were developed, each of the control areas' resources were then re-dispatched to account for the new generation requests using current dispatch orders. Planned High Priority Incremental Loads (HPILs) in group 6 were accounted for and modeled in the 2020 and 2025 seasonal peak cases.

Dynamic Stability

The 2013 series SPP Model Development Working Group (MDWG) Models 2014 winter, 2015 summer, and 2024 summer peak cases were used as starting points for this study. In addition to these seasonal cases, the 2019 summer and winter peak study cases for Group 6 included the planned High Priority Incremental Loads (HPILs) for analysis.

Base Case Upgrades

The following facilities are part of the SPP Transmission Expansion Plan, the Balanced Portfolio or recently approved Priority Projects. These facilities have an approved Notification to Construct (NTC) or are in construction stages and were assumed to be in-service at the time of dispatch and added to the base case models. The DISIS-2014-001 Interconnection Customers have not been

assigned acceleration costs for the below listed projects. The DISIS-2014-001 Interconnection Customers Generation Facilities in service dates may need to be delayed until the completion of the following upgrades. If for some reason, construction on these projects is discontinued, additional restudies will be needed to determine the interconnection needs of the DISIS Interconnection Customers.

- **Balanced Portfolio Projects³:**
 - Woodward – Border – TUCO Interchange 345 kV Project, scheduled for 9/30/2014 in-service
 - Woodward – Border – TUCO Interchange 345 kV circuit #1 and associated terminal equipment upgrades
 - Iatan – Nashua 345/161 kV Project, scheduled for 6/1/2015 in-service
 - Iatan – Nashua 345 kV circuit #1 and associated terminal equipment
 - Nashua 345/161/13 kV autotransformer circuit #1
- **Priority Projects⁴:**
 - Woodward – Thistle double circuit 345 kV, scheduled for 12/31/2014 in-service
 - Spearville – Clark County – Thistle double circuit 345 kV, scheduled for 12/31/2014 in-service
- Northwest 345/138/13.8 kV circuit #3 autotransformer, scheduled for 6/1/2015 in-service⁵
- Hoskins – Neligh East 345/115 kV Project, scheduled for 6/1/2016 in-service⁶
 - Neligh East 345/115 kV substation and transformer
 - Neligh East Area 115 kV upgrades to support new station
 - Hoskins – Neligh East 345 kV circuit #1
- **High Priority Incremental Loads (HPILs) Projects⁷:**
 - TUCO Interchange – Yoakum – Hobbs Interchange 345/230 kV Project
 - TUCO Interchange – Yoakum – Hobbs Interchange 345 kV circuit #1 and associated terminal equipment upgrades
 - Hobbs 345/230/13 kV transformer circuit #1
 - Yoakum 345/230/13 kV transformer circuit #1
 - Battle Axe – Road Runner 115 kV circuit #1
 - Chaves County – Price – CV Pines – Capitan 115 kV circuit #1
 - China Draw – Yeso Hills 115 kV circuit #1
 - Dollarhide – Toboso Flats 115 kV circuit #1
 - Hobbs Interchange – Kiowa 345 kV circuit #1
 - Kiowa – North Loving – China Draw 345/115 kV Projects
 - Kiowa – North Loving – China Draw circuit #1 and associated terminal equipment upgrades

³ Notification to Construct (NTC) issued June 2009

⁴ Notification to Construct (NTC) issued June 2010

⁵ SPP Transmission Service Project identified in SPP 2009-AG2-AFS6. Per SPP NTC 20137 & 200194

⁶ SPP Regional Reliability 2012 ITP 10 Project Per SPP-NTC-200220

⁷ Per Network Upgrades assigned in High Priority Incremental Loads (HPILs) study, Including Direct Assigned Upgrades, Projects in SPP-NTC-200256 and SPP-NTC-200283.

- China Draw 345/115/13 kV transformer circuit #1
- North Loving 345/115/13 kV transformer circuit #1
- Kiowa – Road Runner 345/230/115 kV Projects
 - Kiowa 345/230 kV transformer circuit #1
 - Road Runner 345/115/13 kV transformer circuit #1
- Livingston Ridge – Sage Brush – Lagarto – Cardinal 115 kV circuit #1
- North Loving – South Loving 115 kV circuit #1
- Ponderosa – Ponderosa Tap 115 kV circuit #1

Contingent Upgrades

The following facilities do not yet have approval. These facilities have been assigned to higher queued interconnection customers. These facilities have been included in the models for the DISIS-2014-001 study and are assumed to be in service. This list may not be all inclusive. The DISIS-2014-001 Interconnection Customers, at this time, do not have responsibility for these facilities but may later be assigned the cost of these facilities if higher queued customers terminate their Generation Interconnection Agreement or withdraw from the interconnection queue. The DISIS-2014-001 Interconnection Customer Generation Facilities in-service dates may need to be delayed until the completion of the following upgrades.

- Upgrades assigned to DISIS-2009-001 Interconnection Customers:
 - Lancer Project
 - Spearville – Lancer 345 kV addition
 - Lancer 345/115 kV transformer circuit #1 addition
 - Lancer – North Ft. Dodge 115 kV addition
 - Ft Dodge – North Ft. Dodge circuit #2 addition
 - Move Fort Dodge terminal of Shooting Star 115 kV at North Ft Dodge
 - Fort Randall – Meadow Grove – Kelly 230 kV circuit #1 rerate (320 MVA)
- Upgrades assigned to DISIS-2010-001 Interconnection Customers:
 - Switch 2749 – Wildorado 69 kV circuit # 1 rebuild
- Upgrades assigned to DISIS-2010-002 Interconnection Customers:
 - Twin Church – Dixon County 230 kV circuit #1 rerate (320 MVA)
 - Buckner – Spearville 345 kV terminal equipment
- Upgrades assigned to DISIS-2011-001 Interconnection Customers:
 - Hoskins – Dixon County – Twin Church 230 kV circuit #1 conductor clearance increase
 - (NRIS only) New Deal – TUCO 345 kV/115 kV Project
 - (NRIS only) Wolfforth Interchange 230/115/13 kV transformer circuit #1
 - (NRIS only) Woodward – FPL Switch – Mooreland – Glass Mountain 138 kV circuit #1 rebuild
- Upgrades assigned to DISIS-2011-002 Interconnection Customers:
 - Power System Stabilizers - Install Power System Stabilizers @ Tolk (Units: 1,2) and Jones (Units: 1,2,3,4)
 - Jones – Lubbock South 230 kV circuit #2 replace line traps
 - (NRIS only) Allen – Lubbock South 115kV circuit #1
- Upgrades assigned to DISIS-2012-001 Interconnection Customers:

- None at this time
- Upgrades assigned to DISIS-2012-002 Interconnection Customers:
 - Associated Electric Cooperatives Inc. (AECI) Fairfax 138/69 kV transformer replacement
 - Lake Creek – Lone Wolf 69 kV circuit #1 reset CT
 - Remington – Fairfax 138 kV circuit #1 conductor clearance increase
 - (NRIS only) Arkansas City – Paris 69kV circuit #1 rebuild
 - (NRIS only) City of Winfield – Rainbow 69kV circuit #1 rebuild
 - (NRIS only) Creswell – Oak 69kV circuit #1 rebuild
 - (NRIS only) Creswell – Paris 69kV circuit #1 rebuild
 - (NRIS only) Creswell 138/69kV transformer circuit #1 & #2 replace
 - (NRIS only) Oak – Rainbow 69kV circuit #1 rebuild
- Upgrades assigned to DISIS-2013-001 Interconnection Customers:
 - None at this time
- Upgrades assigned to DISIS-2013-002 Interconnection Customers:
 - Battle Creek – County Line 115kV circuit #1 rebuild
 - County Line – Neligh East 115kV circuit #1 rebuild

Potential Upgrades Not in the Base Case

Any potential upgrades that do not have a Notification to Construct (NTC) and not explicitly listed within this report have not been included in the base case. These upgrades include any identified in the SPP Extra-High Voltage (EHV) overlay plan, or any other SPP planning study other than the upgrades listed above in the previous section.

Regional Groupings

The interconnection requests listed in Appendix A were grouped together into twelve active regional groups based on geographical and electrical impacts. These groupings are shown in Appendix C.

To determine interconnection impacts, fifteen different generation dispatch scenarios of the spring base case models were developed to accommodate the regional groupings.

Power Flow

For Energy Resource Interconnection Service (ERIS), the wind generating plants were modeled at 100% nameplate of maximum generation. The other wind generating plants in the area were modeled at 80% nameplate while the wind generating plants in the remote areas were modeled at 20% nameplate of maximum generation. These projects were dispatched as Energy Resources with a load factor by area distribution across the SPP footprint. All wind generators that requested Network Resource Interconnection Service (NRIS) were dispatched in an additional analysis into the balancing authority of the interconnecting transmission owner at 100% nameplate. This method allowed for the identification of network constraints that were common to the regional groupings that could then in turn have the mitigating upgrade cost allocated throughout the entire cluster. Other sensitivity analyses are also performed with all interconnection requests in each group being dispatched at 100% nameplate.

Peaking units were not dispatched in the 2015 spring model. To study peaking units' impacts, the 2015 summer and winter and 2020 summer and winter, and 2025 summer seasonal models were chosen and peaking units were modeled at 100% of the nameplate rating and wind generating facilities were modeled at 10% of the nameplate rating. Each interconnection request was also modeled separately at 100% nameplate for certain analyses. Planned High Priority Incremental Loads (HPILs) in group 6 were accounted for and modeled in the 2020 and 2025 seasonal peak cases.

Dynamic Stability

For each group, all interconnection requests were studied at 100% nameplate output while the other groups were dispatched at 20% output for wind requests and 100% output for thermal requests.

Identification of Network Constraints

The initial set of network constraints were found by using PSS[®]MUST First Contingency Incremental Transfer Capability (FCITC) analysis on the entire cluster grouping dispatched at the various levels mentioned above. The Energy Resource Interconnection Service (ERIS) constraints were then screened to determine which of the generation interconnection requests had at least a 20% Distribution Factor (DF) upon the constraint. Constraints that measured at least a 20% DF from at least one interconnection request were considered for transmission reinforcement under ERIS. In addition, stability issues are also considered for transmission reinforcement under ERIS. Interconnection Requests that have requested Network Resource Interconnection Service (NRIS) were also studied in the NRIS analysis to determine if any constraint measured at least a 3% DF. If so, these constraints were also considered for mitigation under NRIS.

Determination of Cost Allocated Network Upgrades

Cost Allocated Network Upgrades of wind generation interconnection requests were determined using the 2015 spring model. Cost Allocated Network Upgrades of peaking units was determined using the 2020 summer peak model. A PSS[®]MUST sensitivity analysis was performed to determine the Distribution Factors (DF), a distribution factor with no contingency that each generation interconnection request had on each new upgrade. The impact each generation interconnection request had on each upgrade project was weighted by the size of each request. Finally the costs due by each request for a particular project were then determined by allocating the portion of each request's impact over the impact of all affecting requests.

For example, assume that there are three Generation Interconnection requests, X, Y, and Z that are responsible for the costs of Upgrade Project '1'. Given that their respective PTDF for the project have been determined, the cost allocation for Generation Interconnection request 'X' for Upgrade Project 1 is found by the following set of steps and formulas:

- Determine an Impact Factor on a given project for all responsible GI requests:

$$\text{Request X Impact Factor on Upgrade Project 1} = \text{PTDF}(X) * \text{MW}(X) = X1$$

$$\text{Request Y Impact Factor on Upgrade Project 1} = \text{PTDF}(Y) * \text{MW}(Y) = Y1$$

$$\text{Request Z Impact Factor on Upgrade Project 1} = \text{PTDF}(Z) * \text{MW}(Z) = Z1$$

- Determine each request's Allocation of Cost for that particular project:

$$\text{Request X's Project 1 Cost Allocation (\$)} = \frac{\text{Network Upgrade Project 1 Cost(\$)} * X1}{X1 + Y1 + Z1}$$

- Repeat previous for each responsible GI request for each Project

The cost allocation of each needed Network Upgrade is determined by the size of each request and its impact on the given project. This allows for the most efficient and reasonable mechanism for sharing the costs of upgrades.

Credits for Amounts Advanced for Network Upgrades

Interconnection Customer shall be entitled to credits in accordance with Attachment Z2 of the SPP Tariff for any Network Upgrades including any tax gross-up or any other tax-related payments associated with the Network Upgrades, and not refunded to the Interconnection Customer.

Required Interconnection Facilities

The requirement to interconnect the 637.6 MW of generation into the existing and proposed transmission systems in the affected areas of the SPP transmission footprint consist of the necessary cost allocated shared facilities listed in Appendix F by upgrade. The interconnection requirements for the cluster total an estimated \$31,721,580 plus the costs associated with incremental upgrade needs for Shared Network Upgrades assigned to DISIS-2013-001 Interconnection Customers around the Meadow Grove area, which those costs will be determined during the facility study stage. Interconnection Facilities specific to each generation interconnection request are listed in Appendix E. A preliminary one-line drawing for each generation interconnection request are listed in Appendix D.

A list of constraints that were identified and used for mitigation are listed in Appendix G. Listed within Appendix G are the ERIS constraints with greater than or equal to a 20% DF, as well as, the NRIS constraints that have a DF of 3% or greater. Other Network Constraints which are not requiring mitigation are shown in Appendix H. With a defined source and sink in a TSR, this list of Network Constraints will be refined and expanded to account for all Network Upgrade requirements. Additional constraints identified by multi-element contingencies are listed in Appendix I.

Power Flow Analysis

Power Flow Analysis Methodology

The ACCC function of PSS®E was used to simulate single element and special (i.e., breaker-to-breaker, multi-element, etc) contingencies in portions or all of the modeled control areas of SPP, as well as, other control areas external to SPP and the resulting scenarios analyzed. Single element and multi-element contingencies were evaluated.

Power Flow Analysis

A power flow analysis was conducted for each Interconnection Customer's facility using modified versions of the 2015 spring peak, 2015 summer and winter peak, and the 2020 summer and winter peak, 2025 summer peak models. Planned High Priority Incremental Loads (HPILs) in group 6 were accounted for and modeled in the 2020 and 2025 seasonal peak cases. The output of the Interconnection Customer's facility was offset in each model by a reduction in output of existing online SPP generation. This method allows the request to be studied as an Energy Resource Interconnection Service request (ERIS). Certain requests that are pursuing Network Resource Interconnection Service (NRIS) had an additional analysis conducted for displacing resources in the interconnecting Transmission Owner's balancing authority.

This analysis was conducted assuming that previous queued requests in the immediate area of these interconnect requests were in-service. The analysis of each Customer's project indicates that criteria violations will occur on the SPS transmission systems under system intact and contingency conditions in the peak seasons.

Cluster Group 1 (Woodward Area)

In addition to the 4,084.6 MW of previously queued generation in the area, 132.04 MW of new interconnection service was studied. No new constraints were found in this area.

Cluster Group 2 (Hitchland Area)

In addition to the 2,962.2 MW of previously queued generation in the area, 0.0 MW of new interconnection service was studied. No new constraints were found in this area.

Cluster Group 3 (Spearville Area)

In addition to the 3,610.3 MW of previously queued generation in the area, 0.0 MW of new interconnection service was studied. No new constraints were found in this area.

Cluster Group 4/11 (NW Kansas Group)

In addition to the 1,875.7 MW of previously queued generation in the area, 0.0 MW of new interconnection service was studied. No new constraints were found in this area.

Cluster Group 5 (Amarillo Area)

In addition to the 704.1 MW of previously queued generation in the area, 0.0 MW of new interconnection service was studied. No new constraints were found in this area.

Cluster Group 6 (South Texas Panhandle/New Mexico)

In addition to the 3,360.25 MW of previously queued generation in the area, 227.5 MW of new interconnection service was studied. Planned High Priority Incremental Loads (HPILs) in group 6 were accounted for and modeled in the 2020 and 2025 seasonal peak cases. GEN-2014-012, which is required to serve HPILS Loads was studied only in the seasons that included those loads. A non-converged contingency due to the outage of the planned/modeled reactive compensation located at the National Enrichment Plant is not related to the interconnection of the GEN-2014-012 generator. This condition is due to the increased loads in 2025 and is made worse without the generator. No new NRIS constraints were found in this area.

ERIS Constraints				
MONITORED ELEMENT	RATE B (MVA)	TC%LOADING (% MVA)	CONTINGENCY	
National Enrichment Plant Sub - TARGA 115KV CKT 1 3115.00	120	129.4995	G14_012T	230.00 - HOBBS INTERCHANGE 230KV CKT 1
National Enrichment Plant Sub - TARGA 115KV CKT 1 3115.00	120	187.7	CARLSBAD INTERCHANGE 115KV SWITCHED SHUNT	
Non-converged Contingency	525	-	National Enrichment Plant Sub 115KV SWITCHED SHUNT	

Cluster Group 7 (Southwestern Oklahoma)

In addition to the 1,900.0 MW of previously queued generation in the area, 0.0 MW of new interconnection service was studied. No new constraints were found in this area.

Cluster Group 8 (South Central Kansas/North Oklahoma)

In addition to the 3,648.8 MW of previously queued generation in the area, 200.6 MW of new interconnection service was studied. No new constraints were found in this area.

Cluster Group 9/10 (Nebraska)

In addition to the 1,830.6 MW of previously queued generation in the area, 77.46 MW of new interconnection service was studied. The removal of previously assigned Network Upgrades to withdrawn DISIS-2013-001 Customers did not cause any new constraints for this area. No new constraints were found in this area.

Cluster Group 12 (Northwest Arkansas)

In addition to the 30.0 MW of previously queued generation in the area, 0.0 MW of new interconnection service was studied. No new constraints were found in this area.

Cluster Group 13 (Northwest Missouri)

In addition to the 224.6 MW of previously queued generation in the area, 0.0 MW of new interconnection service was studied. No new constraints were found in this area.

Cluster Group 14 (South Central Oklahoma)

In addition to the 362.5 MW of previously queued generation in the area, 0.0 MW of new interconnection service was studied. No new constraints were found in this area.

Curtailment and System Reliability

In no way does this study guarantee operation for all periods of time. It should be noted that although this study analyzed many of the most probable contingencies, it is not an all-inclusive list and cannot account for every operational situation. Because of this, it is likely that the Customer(s) may be required to reduce their generation output to 0 MW, also known as curtailment, under certain system conditions to allow system operators to maintain the reliability of the transmission network.

Stability Analysis

A stability analysis was conducted for each Interconnection Customer using modified versions of the 2013 series SPP Model Development Working Group (MDWG) Models 2014 winter, 2015 summer, and 2024 summer peak dynamic cases. In addition to the 2014 winter and 2015 summer seasonal cases, Group 6 included the 2019 summer and 2019 winter peak cases and a modified version of the 2024 summer peak case to analyze the planned High Priority Incremental Loads (HPILs) in the area. The stability analysis was conducted with all upgrades in service that were identified in the power flow analysis unless otherwise noted in the individual group stability study. For each group, the interconnection requests were studied at 100% nameplate output while the other groups were dispatched at 20% output for wind requests and 100% output for other requests. The output of the Interconnection Customer’s facility was offset in each model by a reduction in output of existing online SPP generation. The following synopsis is included for each group. The entire stability study for each group can be found in the Appendices.

Cluster Group 1 (Woodward Area)

The Group 1 stability analysis was not performed again for this study. Stability and power factor analysis for DISIS-2014-001 remain valid.

Power Factor Requirements:

Request	Size (MW)	Generator Model	Point of Interconnection	Power Factor Requirement at POI*	
				Lagging (supplying)	Leading (absorbing)
GEN-2013-035**	105.6	G.E. 1.79MW	Tap Woodward – Tatonga (GEN-2011-051 Tap) 345kV	0.95	0.95
GEN-2014-002** ⁸	10.53	G.E. 1.79MW	Tatonga 345kV	0.95	0.95
GEN-2014-003** ⁹	15.84	G.E. 1.79MW	Tatonga 345kV	0.95	0.95
GEN-2014-005** ¹⁰	5.67	G.E. 1.79MW	Minco 345kV	0.95	0.95

*As reactive power is required for all projects, the final requirement in the GIA will be the pro-forma 95% lagging to 95% leading at the point of interconnection.

** Requirement for reactors for low wind conditions

Cluster Group 2 (Hitchland Area)

There were no customers requesting interconnection service in the Hitchland area.

Cluster Group 3 (Spearville Area)

There were no customers requesting interconnection service in the Spearville area.

⁸ GEN-2014-002 is a capacity increase to GEN-2007-021.

⁹ GEN-2014-003 is a capacity increase to GEN-2007-044.

¹⁰ GEN-2014-005 is a capacity increase to GEN-2011-010.

Cluster Group 4/11 (Northwest Kansas)

There were no customers requesting interconnection service in the Northwest Kansas area.

Cluster Group 5 (Amarillo Area)

There were no customers requesting interconnection service in the Amarillo area.

Cluster Group 6 (South Texas Panhandle/New Mexico)

The Group 6 stability analysis for this area was performed by SPP Staff to account for withdrawn Interconnection Requests and the reduction of the size of GEN-2014-012. Planned High Priority Incremental Loads (HPILs) in group 6 were accounted for and modeled in the 2019 and 2024 seasonal peak cases. GEN-2014-012, which is required to serve HPILS Loads was studied only in the seasons that included those loads. Stability analysis has determined that with all currently assigned Network Upgrades from the powerflow analysis and all previously assigned Network Upgrades placed in service the transmission system will remain stable and low voltage ride through requirements are satisfied for the contingencies studied. As noted in the powerflow section and the Group 6 report in the appendix, low voltages associated with HPILS loads were observed. However, these low voltages were improved by the addition of GEN-2014-012. These low voltage issues are not attributable to the Interconnection Request. Power Factor requirements are listed in the table below. In addition, some Interconnection Requests may have requirements for reactors under low wind conditions as identified in the original MEPPi report.

Power Factor Requirements:

Request	Size (MW)	Generator Model	Point of Interconnection	Power Factor Requirement at POI*	
				Lagging (supplying)	Leading (absorbing)
ASGI-2014-001 ¹¹	2.3	G.E. 2. 3MW	SP-Erskine 69kV	0.95	0.95
GEN-2014-012	186 (summer)/ 225 (winter)	GENROU	Tap Hobbs Interchange – Andrews 230kV	0.95	0.95

*As reactive power is required for all projects, the final requirement in the GIA will be the pro-forma 95% lagging to 95% leading at the point of interconnection.

** Requirement for reactors for low wind conditions

Cluster Group 7 (Southwest Oklahoma)

There were no customers requesting interconnection service in the Southwest Oklahoma area.

Cluster Group 8 (South Central Kansas/North Oklahoma)

The Group 8 stability was not performed again for this study. Stability and power factor analysis for DISIS-2014-001 remain valid.

¹¹ ASGI-2014-001 is a capacity increase to ASGI-2013-006.

Power Factor Requirements:

Request	Size (MW)	Generator Model	Point of Interconnection	Power Factor Requirement at POI*	
				Lagging (supplying)	Leading (absorbing)
GEN-2014-001**	200.6	G.E. 1.7 MW	Tap Wichita – Emporia Energy Center 345kV	0.95	0.95

*As reactive power is required for all projects, the final requirement in the GIA will be the pro-forma 95% lagging to 95% leading at the point of interconnection.

** Requirement for reactors for low wind conditions

Cluster Group 9/10 (Nebraska)

The Group 9/10 stability analysis was performed by SPP Staff to account for withdrawn Interconnection Requests and their associated Network Upgrades. Stability analysis has indicated that for the studied contingencies, the transmission system will remain stable and all generators will remain on line.

Power Factor Requirements:

Request	Size (MW)	Generator Model	Point of Interconnection	Power Factor Requirement at POI*	
				Lagging (supplying)	Leading (absorbing)
GEN-2014-004 ¹²	4	G.E. 1.79 MW	Steele City 115kV	0.95	0.95
GEN-2014-013**	73.5	G.E. 1.75 MW	Tap Fort Randall – Columbus (Meadow Grove) 230kV	0.95	0.95

*As reactive power is required for all projects, the final requirement in the GIA will be the pro-forma 95% lagging to 95% leading at the point of interconnection.

** Requirement for reactors for low wind conditions

Cluster Group 12 (Western Arkansas Area)

There were no customers requesting interconnection service in the western Arkansas area.

Cluster Group 13 (Northwest Missouri Area)

The Group 13 stability analysis for this area was not performed again for this study. GEN-2013-026 has withdrawn from the interconnection queue.

Cluster Group 14 (South Central Oklahoma)

There were no customers requesting interconnection service in the south central Oklahoma area.

¹² GEN-2014-004 is a capacity increase to GEN-2011-018 and GEN-2013-008.

Conclusion

The minimum cost of interconnecting 637.6 MW of new interconnection requests included in this Definitive Interconnection System Impact Study is estimated at \$31,721,580 for the Allocated Network Upgrades and Transmission Owner Interconnection Facilities are listed in Appendix E and F. These costs do not include the cost of upgrades of other transmission facilities listed in Appendix H which are Network Constraints.

These interconnection costs do not include any cost of Network Upgrades determined to be required by short circuit analysis. These studies will be performed if the Interconnection Customer executes the appropriate Interconnection Facilities Study Agreement and provides the required data along with demonstration of Site Control and the appropriate deposit. At the time of the Interconnection Facilities Study, a better determination of the interconnection facilities may be available.

The required interconnection costs listed in Appendices E, and F, and other upgrades associated with Network Constraints do not include all costs associated with the deliverability of the energy to final customers. These costs are determined by separate studies if the Customer submits a Transmission Service Request (TSR) through SPP's Open Access Same Time Information System (OASIS) as required by Attachment Z1 of the SPP Open Access Transmission Tariff (OATT).

Appendices

A: Generation Interconnection Requests Considered for Impact Study

See next page.

A: Generation Interconnection Requests Considered for Impact Study

Request	Amount	Service	Area	Requested Point of Interconnection	Proposed Point of Interconnection	Requested In-Service Date	In Service Date Delayed Until no earlier than*
ASGI-2014-001	2.50	ER	SPS	SP-Erskine 115kV	SP-Erskine 115kV		TBD
GEN-2013-035	100.00	ER	OKGE	Tap Woodward - Tatonga 345kV (GEN-2011-051 Tap)	Tap Woodward - Tatonga 345kV (GEN-2011-051 Tap)	12/31/2016	TBD
GEN-2014-001	200.60	ER	WERE	Tap Wichita - Emporia Energy Center 345kV	Tap Wichita - Emporia Energy Center 345kV	7/15/2014	TBD
GEN-2014-002	10.53	ER/NR	OKGE	Tatonga 345kV (GEN-2007-021 POI)	Tatonga 345kV (GEN-2007-021 POI)		TBD
GEN-2014-003	15.84	ER/NR	OKGE	Tatonga 345kV (GEN-2007-044 POI)	Tatonga 345kV (GEN-2007-044 POI)		TBD
GEN-2014-004	3.96	ER	NPPD	Steele City 115kV (GEN-2011-018 POI)	Steele City 115kV (GEN-2011-018 POI)		TBD
GEN-2014-005	5.67	ER/NR	OKGE	Minco 345kV (GEN-2011-010 POI)	Minco 345kV (GEN-2011-010 POI)		TBD
GEN-2014-012	225.00	ER	SPS	Tap Hobbs Interchange - Andrews 230kV	Tap Hobbs Interchange - Andrews 230kV	6/1/2018	TBD
GEN-2014-013	73.50	ER/NR	NPPD	Meadow Grove (GEN-2008-086N2 Sub) 230kV	Meadow Grove (GEN-2008-086N2 Sub) 230kV	12/31/2014	TBD
Total:		637.60					

*Requests that are dependent upon Priority Projects or Balanced Portfolio may be delayed until 12/31/2014. Other requests in-service date to be determined after Facility Study.

B: Prior Queued Interconnection Requests

See next page.

B: Prior Queued Interconnection Requests

Request	Amount	Area	Requested/Proposed Point of Interconnection	Status or In-Service Date
ASGI-2010-006	150.00	AECI	Tap Fairfax (AECI) - Shilder (AEPW) 138kV	AECI queue Affected Study
ASGI-2010-010	42.20	SPS	Lovington 115kV	Lea County Affected Study
ASGI-2010-020	30.00	SPS	Tap LE-Tatum - LE-Crossroads 69kV	Lea County Affected Study
ASGI-2010-021	15.00	SPS	Tap LE-Saunders Tap - LE-Anderson 69kV	Lea County Affected Study
ASGI-2011-001	28.80	SPS	Lovington 115kV	On-Line
ASGI-2011-002	20.00	SPS	Herring 115kV	On-Line
ASGI-2011-003	10.00	SPS	Hendricks 115kV	On-Line
ASGI-2011-004	20.00	SPS	Pleasant Hill 69kV	Under Study (DISIS-2011-002)
ASGI-2012-002	18.15	SPS	FE-Clovis Interchange 115kV	Under Study (DISIS-2012-002)
ASGI-2012-006	22.50	SUNCMKEC	Tap Hugoton - Rolla 69kV	Under Study (DISIS-2012-001)
ASGI-2013-001	11.50	SPS	PanTex South 115kV	Under Study (DISIS-2013-001)
ASGI-2013-002	18.40	SPS	FE Tucumcari 115kV	Under Study (DISIS-2013-001)
ASGI-2013-003	18.40	SPS	FE Clovis 115kV	Under Study (DISIS-2013-001)
ASGI-2013-004	29.60	SUNCMKEC	Morris 115kV	Under Study (DISIS-2013-002)
ASGI-2013-005	1.80	SPS	FE Clovis 115kV	Under Study (DISIS-2013-002)
ASGI-2013-006	2.00	SPS	SP-Erskine 115kV	
ASGI-2013-007	90.00	AECI	Tap Hickory Creek - Locust Creek 161kV	AECI System Impact Study
GEN-2001-014	96.00	WFEC	Ft Supply 138kV	On-Line
GEN-2001-026	74.00	WFEC	Washita 138kV	On-Line
GEN-2001-033	180.00	SPS	San Juan Tap 230kV	On-Line at 120MW
GEN-2001-036	80.00	SPS	Norton 115kV	On-Line
GEN-2001-037	100.00	OKGE	FPL Moreland Tap 138kV	On-Line
GEN-2001-039A	105.00	SUNCMKEC	Tap Greensburg - Ft Dodge (Shooting Star Tap) 115kV	On-Line
GEN-2001-039M	100.00	SUNCMKEC	Central Plains Tap 115kV	On-Line
GEN-2002-004	200.00	WERE	Latham 345kV	On-Line at 150MW
GEN-2002-005	120.00	WFEC	Red Hills Tap 138kV	On-Line
GEN-2002-008	240.00	SPS	Hitchland 345kV	On-Line at 120MW
GEN-2002-009	80.00	SPS	Hansford 115kV	On-Line
GEN-2002-022	240.00	SPS	Bushland 230kV	On-Line
GEN-2002-023N	0.80	NPPD	Harmony 115kV	On-Line
GEN-2002-025A	150.00	SUNCMKEC	Spearville 230kV	On-Line
GEN-2003-004	100.00	WFEC	Washita 138kV	On-Line
GEN-2003-005	100.00	WFEC	Anadarko - Paradise (Blue Canyon) 138kV	On-Line
GEN-2003-006A	200.00	SUNCMKEC	Elm Creek 230kV	On-Line
GEN-2003-019	250.00	MIDW	Smoky Hills Tap 230kV	On-Line
GEN-2003-020	160.00	SPS	Martin 115kV	On-Line
GEN-2003-021N	75.00	NPPD	Ainsworth Wind Tap 115kV	On-Line
GEN-2003-022	120.00	AEPW	Washita 138kV	On-Line
GEN-2004-014	154.50	SUNCMKEC	Spearville 230kV	On-Line at 100MW
GEN-2004-020	27.00	AEPW	Washita 34.5kV	On-Line
GEN-2004-023	20.60	WFEC	Washita 138kV	On-Line
GEN-2004-023N	75.00	NPPD	Columbus Co 115kV	On-Line
GEN-2005-003	30.60	WFEC	Washita 138kV	On-Line
GEN-2005-008	120.00	OKGE	Woodward 138kV	On-Line
GEN-2005-012	250.00	SUNCMKEC	Ironwood 345kV	On-Line at 160MW
GEN-2005-013	201.00	WERE	Tap Latham - Neosho (Caney River) 345kV	On-Line
GEN-2006-002	101.00	AEPW	Sweetwater 230kV	On-Line

Request	Amount	Area	Requested/Proposed Point of Interconnection	Status or In-Service Date
GEN-2006-006	205.50	SUNCMKEC	Spearville 345kV	On Suspension
GEN-2006-018	170.00	SPS	TUCO Interchange 230kV	On-Line
GEN-2006-020N	42.00	NPPD	Bloomfield 115kV	On-Line
GEN-2006-020S	18.90	SPS	DWS Frisco 115kV	On-Line
GEN-2006-021	101.00	SUNCMKEC	Flat Ridge Tap 138kV	On-Line
GEN-2006-024S	19.80	WFEC	Buffalo Bear Tap 69kV	On-Line
GEN-2006-026	604.00	SPS	Hobbs 230kV & Hobbs 115kV	On-Line
GEN-2006-031	75.00	MIDW	Knoll 115kV	On-Line
GEN-2006-035	225.00	AEPW	Sweetwater 230kV	On-Line at 132MW
GEN-2006-037N1	75.00	NPPD	Broken Bow 115kV	On-Line
GEN-2006-038N005	80.00	NPPD	Broken Bow 115kV	On-Line
GEN-2006-038N019	80.00	NPPD	Petersburg North 115kV	On-Line
GEN-2006-040	108.00	SUNCMKEC	Mingo 115kV	On Suspension
GEN-2006-043	99.00	AEPW	Sweetwater 230kV	On-Line
GEN-2006-044	370.00	SPS	Hitchland 345kV	On-Line at 120MW
GEN-2006-044N	40.50	NPPD	North Petersburg 115kV	On-Line
GEN-2006-046	131.00	OKGE	Dewey 138kV	On-Line
GEN-2007-011	135.00	SUNCMKEC	Syracuse 115kV	On Suspension
GEN-2007-011N08	81.00	NPPD	Bloomfield 115kV	On-Line
GEN-2007-021	201.00	OKGE	Tatonga 345kV	On Schedule for 2014
GEN-2007-025	300.00	WERE	Viola 345kV	On-Line
GEN-2007-032	150.00	WFEC	Tap Clinton Junction - Clinton 138kV	On Suspension
GEN-2007-040	200.00	SUNCMKEC	Buckner 345kV	On-Line at 132MW
GEN-2007-043	200.00	OKGE	Minco 345kV	On-Line
GEN-2007-044	300.00	OKGE	Tatonga 345kV	On Schedule for 2014
GEN-2007-046	199.50	SPS	Hitchland 115kV	On Schedule for 2015
GEN-2007-050	170.00	OKGE	Woodward EHV 138kV	On-Line at 150MW
GEN-2007-052	150.00	WFEC	Anadarko 138kV	On-Line
GEN-2007-062	765.00	OKGE	Woodward EHV 345kV	On Schedule for 2014
GEN-2008-003	101.00	OKGE	Woodward EHV 138kV	On-Line
GEN-2008-013	300.00	OKGE	Tap Wichita - Woodring (Hunter) 345kV	On-Line at 235MW
GEN-2008-017	300.00	SUNCMKEC	Setab 345kV	On Schedule for 2015
GEN-2008-018	250.00	SPS	Finney 345kV	On-Line
GEN-2008-021	42.00	WERE	Wolf Creek 345kV	On-Line
GEN-2008-022	300.00	SPS	Tap Eddy Co - Tolk (Crossroads) 345kV	On Schedule for 2015
GEN-2008-023	150.00	AEPW	Hobart Junction 138kV	On-Line
GEN-2008-037	101.00	WFEC	Tap Washita - Blue Canyon Wind 138kV	On-Line
GEN-2008-044	197.80	OKGE	Tatonga 345kV	On-Line
GEN-2008-047	300.00	OKGE	Tap Hitchland - Woodward Dbl Ckt (Beaver County) 345kV	On Schedule for 2014
GEN-2008-051	322.00	SPS	Potter County 345kV	On-Line at 161MW
GEN-2008-079	99.20	SUNCMKEC	Tap Cudahy - Ft Dodge 115kV	On-Line
GEN-2008-086N02	200.00	NPPD	Tap Ft Randle - Columbus (Meadow Grove) 230kV	On Schedule for 2014
GEN-2008-088	50.60	SPS	Vega 69kV	On Suspension
GEN-2008-092	201.00	MIDW	Post Rock 230kV	On Schedule for 2014
GEN-2008-098	100.80	WERE	Tap Lacygne - Wolf Creek (Anderson County) 345kV	On Schedule for 2015
GEN-2008-119O	60.00	OPPD	S1399 161kV	On-Line
GEN-2008-123N	89.70	NPPD	Tap Guide Rock - Pauline (Rosemont) 115kV	On Schedule for 2014
GEN-2008-124	200.10	SUNCMKEC	Ironwood 345kV	On Schedule for 2016
GEN-2008-129	80.00	MIPU	Pleasant Hill 161kV	On-Line

Request	Amount	Area	Requested/Proposed Point of Interconnection	Status or In-Service Date
GEN-2009-008	199.50	MIDW	South Hays 230kV	On Suspension
GEN-2009-020	48.60	MIDW	Tap Nekoma - Bazine (Walnut Creek) 69kV	On Schedule for 2015
GEN-2009-025	60.00	OKGE	Nardins 69kV	On-Line
GEN-2009-040	73.80	WERE	Marshall 115kV	On Schedule for 2015
GEN-2010-001	300.00	OKGE	Tap Hitchland - Woodward Dbl Ckt (Beaver County) 345kV	On Schedule for 2014 (204 MW) and 2015 (96 MW)
GEN-2010-003	100.80	WERE	Tap Lacygne - Wolf Creek (Anderson County) 345kV	On Schedule for 2015
GEN-2010-005	300.00	WERE	Viola 345kV	On-Line at 170MW
GEN-2010-006	205.00	SPS	Jones 230kV	On-Line
GEN-2010-009	165.60	SUNCMKEC	Buckner 345kV	On-Line
GEN-2010-011	29.70	OKGE	Tatonga 345kV	On Line
GEN-2010-014	358.80	SPS	Hitchland 345kV	On Suspension
GEN-2010-036	4.60	WERE	6th Street 115kV	On-Line
GEN-2010-040	300.00	OKGE	Cimarron 345kV	On-Line
GEN-2010-041	10.50	OPPD	S 1399 161kV	On Schedule for 2015
GEN-2010-045	197.80	SUNCMKEC	Buckner 345kV	On Schedule for 2017
GEN-2010-046	56.00	SPS	TUCO Interchange 230kV	On Schedule for 2016
GEN-2010-051	200.00	NPPD	Tap Twin Church - Hoskins 230kV	On Schedule for 2014
GEN-2010-055	4.50	AEPW	Wekiwa 138kV	On-Line
GEN-2010-057	201.00	MIDW	Rice County 230kV	On-Line
GEN-2011-007	250.10	OKGE	Tap Cimarron - Woodring (Mathewson) 345kV	On Suspension
GEN-2011-008	600.00	SUNCMKEC	Clark County 345kV	On Schedule 2019
GEN-2011-010	100.80	OKGE	Minco 345kV	On-Line
GEN-2011-011	50.00	KACP	Iatan 345kV	On-Line
GEN-2011-014	201.00	OKGE	Tap Hitchland - Woodward Dbl Ckt (Beaver County) 345kV	On Schedule 2016
GEN-2011-016	200.10	SUNCMKEC	Spearville 345kV	TRANSITIONED TO IFS QUEUE
GEN-2011-017	299.00	SUNCMKEC	Tap Spearville - PostRock (GEN-2011-017T) 345kV	On Schedule 2018
GEN-2011-018	73.60	NPPD	Steele City 115kV	On-Line
GEN-2011-019	299.00	OKGE	Woodward 345kV	On Suspension
GEN-2011-020	299.00	OKGE	Woodward 345kV	On Suspension
GEN-2011-022	299.00	SPS	Hitchland 345kV	On Suspension
GEN-2011-025	82.30	SPS	Tap Floyd County - Crosby County 115kV	On Schedule for 2015
GEN-2011-027	120.00	NPPD	Tap Twin Church - Hoskins 230kV (GEN-2010-51 Tap)	On Schedule for 2015
GEN-2011-037	7.00	WFEC	Blue Canyon 5 138kV	On-Line
GEN-2011-040	111.00	OKGE	Tap Ratliff - Pooleville 138kV	On Schedule for 2014
GEN-2011-045	205.00	SPS	Jones 230kV	On-Line
GEN-2011-046	27.00	SPS	Lopez 115kV	On-Line
GEN-2011-048	175.00	SPS	Mustang 230kV	On-Line
GEN-2011-049	250.00	OKGE	Border 345kV	On Suspension
GEN-2011-050	109.80	AEPW	Rush Springs Natural Gas Tap 138kV	On Suspension
GEN-2011-051	104.40	OKGE	Tap Woodward - Tatonga 345kV	On Suspension
GEN-2011-054	300.00	OKGE	Cimarron 345kV	On Schedule for 2013 (200 MW) and 2014 (99 MW)
GEN-2011-056	3.60	NPPD	Jeffrey 115kV	On-Line
GEN-2011-056A	3.60	NPPD	John 1 115kV	On-Line
GEN-2011-056B	4.50	NPPD	John 2 115kV	On-Line
GEN-2011-057	150.40	WERE	Creswell 138kV	On Schedule for 2014
GEN-2012-001	61.20	SPS	Tap Grassland - Borden County 230kV	On-Line
GEN-2012-004	41.40	OKGE	Tap Ratliff - Pooleville (Carter County) 138kV	On Schedule for 2014
GEN-2012-007	120.00	SUNCMKEC	Rubart 115kV	On Schedule for 2014

Request	Amount	Area	Requested/Proposed Point of Interconnection	Status or In-Service Date
GEN-2012-009	15.00	SPS	Mustang 230kV	On Schedule for 2015
GEN-2012-010	15.00	SPS	Mustang 230kV	On Schedule for 2015
GEN-2012-020	478.00	SPS	TUCO 230kV	On Schedule for 2016
GEN-2012-021	4.80	LES	Terry Bundy Generating Station 115kV	On-Line
GEN-2012-024	180.00	SUNCMKEC	Clark County 345kV	TRANSITIONED TO IFS QUEUE
GEN-2012-027	136.00	AEPW	Shidler 138kV	On Suspension
GEN-2012-028	74.80	WFEC	Gotebo 69kV	On Schedule for 2015
GEN-2012-032	300.00	OKGE	Tap Rose Hill - Sooner (Ranch) 345kV	On Schedule for 2015
GEN-2012-033	98.80	OKGE	Tap and Tie South 4th - Bunch Creek & Enid Tap - Fairmont (GEN-2012-033T) 138kV	On Schedule for 2015
GEN-2012-034	7.00	SPS	Mustang 230kV	On Schedule for 2015
GEN-2012-035	7.00	SPS	Mustang 230kV	On Schedule for 2015
GEN-2012-036	7.00	SPS	Mustang 230kV	On-Line
GEN-2012-037	203.00	SPS	TUCO 345kV	On Schedule for 2015
GEN-2012-040	76.50	WFEC	Chilocco 138kV	On Suspension
GEN-2012-041	121.50	OKGE	Tap Rose Hill - Sooner 345kV	On Schedule for 2015
GEN-2013-002	50.60	LES	Tap Sheldon - Folsom & Pleasant Hill 115kV CKT 2	TRANSITIONED TO IFS QUEUE
GEN-2013-007	100.30	OKGE	Tap Prices Falls - Carter 138kV	On Schedule for 2015
GEN-2013-008	1.20	NPPD	Steele City 115kV	On-Line
GEN-2013-011	30.00	AEPW	Turk 138kV	TRANSITIONED TO IFS QUEUE
GEN-2013-012	147.00	OKGE	Redbud 345kV	On-Line
GEN-2013-014	25.50	NPPD	Tap Guide Rock - Pauline (GEN-2008-123N Tap) 115kV	On Schedule for 2015
GEN-2013-016	203.00	SPS	TUCO 345kV	TRANSITIONED TO IFS QUEUE
GEN-2013-019	73.60	LES	Tap Sheldon - Folsom & Pleasant Hill (GEN-2013-002 Tap) 115kV CKT 2	TRANSITIONED TO IFS QUEUE
GEN-2013-022	25.00	SPS	Norton 115kV	TRANSITIONED TO IFS QUEUE
GEN-2013-028	559.50	GRDA	Tap N Tulsa - GRDA 1 345kV	TRANSITIONED TO IFS QUEUE
GEN-2013-029	300.00	OKGE	Renfrow 345kV	TRANSITIONED TO IFS QUEUE
GEN-2013-030	300.00	OKGE	Tap Hitchland - Woodward Dbl Ckt (Beaver County) 345kV	TRANSITIONED TO IFS QUEUE
GEN-2013-032	204.00	NPPD	Neligh 115kV	TRANSITIONED TO IFS QUEUE
GEN-2013-033	28.00	MIDW	Goodman Energy Center 115kV	TRANSITIONED TO IFS QUEUE
Gray County Wind (Montezuma)	110.00	SUNCMKEC	Gray County Tap 115kV	On-Line
Llano Estacado (White Deer)	80.00	SPS	Llano Wind 115kV	On-Line
NPPD Distributed (Broken Bow)	8.30	NPPD	Broken Bow 115kV	On-Line
NPPD Distributed (Burt County Wind)	12.00	NPPD	Tekamah & Oakland 115kV	On-Line
NPPD Distributed (Burwell)	3.00	NPPD	Ord 115kV	On-Line
NPPD Distributed (Columbus Hydro)	45.00	NPPD	Columbus 115kV	On-Line
NPPD Distributed (Ord)	11.90	NPPD	Ord 115kV	On-Line
NPPD Distributed (Stuart)	2.10	NPPD	Ainsworth 115kV	On-Line
SPS Distributed (Dumas 19th St)	20.00	SPS	Dumas 19th Street 115kV	On-Line
SPS Distributed (Etter)	20.00	SPS	Etter 115kV	On-Line
SPS Distributed (Hopi)	10.00	SPS	Hopi 115kV	On-Line
SPS Distributed (Jal)	10.00	SPS	S Jal 115kV	On-Line
SPS Distributed (Lea Road)	10.00	SPS	Lea Road 115kV	On-Line
SPS Distributed (Monument)	10.00	SPS	Monument 115kV	On-Line
SPS Distributed (Moore E)	25.00	SPS	Moore East 115kV	On-Line
SPS Distributed (Ocotillo)	10.00	SPS	S_Jal 115kV	On-Line
SPS Distributed (Sherman)	20.00	SPS	Sherman 115kV	On-Line
SPS Distributed (Spearman)	10.00	SPS	Spearman 69kV	On-Line
SPS Distributed (TC-Texas County)	20.00	SPS	Texas County 115kV	On-Line
Total: 24,593.7				

C: Study Groupings

See next page

C. Study Groups

GROUP 1: WOODWARD AREA			
Request	Capacity	Area	Proposed Point of Interconnection
GEN-2001-014	96.00	WFEC	Ft Supply 138kV
GEN-2001-037	100.00	OKGE	FPL Moreland Tap 138kV
GEN-2005-008	120.00	OKGE	Woodward 138kV
GEN-2006-024S	19.80	WFEC	Buffalo Bear Tap 69kV
GEN-2006-046	131.00	OKGE	Dewey 138kV
GEN-2007-021	201.00	OKGE	Tatonga 345kV
GEN-2007-043	200.00	OKGE	Minco 345kV
GEN-2007-044	300.00	OKGE	Tatonga 345kV
GEN-2007-050	170.00	OKGE	Woodward EHV 138kV
GEN-2007-062	765.00	OKGE	Woodward EHV 345kV
GEN-2008-003	101.00	OKGE	Woodward EHV 138kV
GEN-2008-044	197.80	OKGE	Tatonga 345kV
GEN-2010-011	29.70	OKGE	Tatonga 345kV
GEN-2010-040	300.00	OKGE	Cimarron 345kV
GEN-2011-007	250.10	OKGE	Tap Cimarron - Woodring (Mathewson) 345kV
GEN-2011-010	100.80	OKGE	Minco 345kV
GEN-2011-019	299.00	OKGE	Woodward 345kV
GEN-2011-020	299.00	OKGE	Woodward 345kV
GEN-2011-051	104.40	OKGE	Tap Woodward - Tatonga 345kV
GEN-2011-054	300.00	OKGE	Cimarron 345kV
PRIOR QUEUED SUBTOTAL	4,084.60		
GEN-2013-035	100.00	OKGE	Tap Woodward - Tatonga 345kV (GEN-2011-051 Tap)
GEN-2014-002	10.53	OKGE	Tatonga 345kV (GEN-2007-021 POI)
GEN-2014-003	15.84	OKGE	Tatonga 345kV (GEN-2007-044 POI)
GEN-2014-005	5.67	OKGE	Minco 345kV (GEN-2011-010 POI)
CURRENT CLUSTER SUBTOTAL	132.04		
AREA TOTAL	4,216.64		

GROUP 2: HITCHLAND AREA

Request	Capacity	Area	Proposed Point of Interconnection
ASGI-2011-002	20.00	SPS	Herring 115kV
GEN-2002-008	240.00	SPS	Hitchland 345kV
GEN-2002-009	80.00	SPS	Hansford 115kV
GEN-2003-020	160.00	SPS	Martin 115kV
GEN-2006-020S	18.90	SPS	DWS Frisco 115kV
GEN-2006-044	370.00	SPS	Hitchland 345kV
GEN-2007-046	199.50	SPS	Hitchland 115kV
GEN-2008-047	300.00	OKGE	Tap Hitchland - Woodward Dbl Ckt (Beaver County) 345kV
GEN-2010-001	300.00	OKGE	Tap Hitchland - Woodward Dbl Ckt (Beaver County) 345kV
GEN-2010-014	358.80	SPS	Hitchland 345kV
GEN-2011-014	201.00	OKGE	Tap Hitchland - Woodward Dbl Ckt (Beaver County) 345kV
GEN-2011-022	299.00	SPS	Hitchland 345kV
GEN-2013-030	300.00	OKGE	Tap Hitchland - Woodward Dbl Ckt (Beaver County) 345kV
SPS Distributed (Dumas 19th St)	20.00	SPS	Dumas 19th Street 115kV
SPS Distributed (Etter)	20.00	SPS	Etter 115kV
SPS Distributed (Moore E)	25.00	SPS	Moore East 115kV
SPS Distributed (Sherman)	20.00	SPS	Sherman 115kV
SPS Distributed (Spearman)	10.00	SPS	Spearman 69kV
SPS Distributed (TC-Texas County)	20.00	SPS	Texas County 115kV
PRIOR QUEUED SUBTOTAL	2,962.20		
AREA TOTAL	2,962.20		

GROUP 3: SPEARVILLE AREA

Request	Capacity	Area	Proposed Point of Interconnection
ASGI-2012-006	22.50	SUNCMKEC	Tap Hugoton - Rolla 69kV
GEN-2001-039A	105.00	SUNCMKEC	Tap Greensburg - Ft Dodge (Shooting Star Tap) 115kV
GEN-2002-025A	150.00	SUNCMKEC	Spearville 230kV
GEN-2004-014	154.50	SUNCMKEC	Spearville 230kV
GEN-2005-012	250.00	SUNCMKEC	Ironwood 345kV
GEN-2006-006	205.50	SUNCMKEC	Spearville 345kV
GEN-2006-021	101.00	SUNCMKEC	Flat Ridge Tap 138kV
GEN-2007-040	200.00	SUNCMKEC	Buckner 345kV
GEN-2008-018	250.00	SPS	Finney 345kV
GEN-2008-079	99.20	SUNCMKEC	Tap Cudahy - Ft Dodge 115kV
GEN-2008-124	200.10	SUNCMKEC	Ironwood 345kV
GEN-2010-009	165.60	SUNCMKEC	Buckner 345kV
GEN-2010-045	197.80	SUNCMKEC	Buckner 345kV
GEN-2011-008	600.00	SUNCMKEC	Clark County 345kV
GEN-2011-016	200.10	SUNCMKEC	Spearville 345kV
GEN-2011-017	299.00	SUNCMKEC	Tap Spearville - PostRock (GEN-2011-017T) 345kV
GEN-2012-007	120.00	SUNCMKEC	Rubart 115kV
GEN-2012-024	180.00	SUNCMKEC	Clark County 345kV
Gray County Wind (Montezuma)	110.00	SUNCMKEC	Gray County Tap 115kV
PRIOR QUEUED SUBTOTAL	3,610.30		
AREA TOTAL	3,610.30		

GROUP 4/11: NW KANSAS AREA

Request	Capacity	Area	Proposed Point of Interconnection
ASGI-2013-004	29.60	SUNCMKEC	Morris 115kV
GEN-2001-039M	100.00	SUNCMKEC	Central Plains Tap 115kV
GEN-2003-006A	200.00	SUNCMKEC	Elm Creek 230kV
GEN-2003-019	250.00	MIDW	Smoky Hills Tap 230kV
GEN-2006-031	75.00	MIDW	Knoll 115kV
GEN-2006-040	108.00	SUNCMKEC	Mingo 115kV
GEN-2007-011	135.00	SUNCMKEC	Syracuse 115kV
GEN-2008-017	300.00	SUNCMKEC	Setab 345kV
GEN-2008-092	201.00	MIDW	Post Rock 230kV
GEN-2009-008	199.50	MIDW	South Hays 230kV
GEN-2009-020	48.60	MIDW	Tap Nekoma - Bazine (Walnut Creek) 69kV
GEN-2010-057	201.00	MIDW	Rice County 230kV
GEN-2013-033	28.00	MIDW	Goodman Energy Center 115kV
PRIOR QUEUED SUBTOTAL	1,875.70		
AREA TOTAL	1,875.70		

GROUP 5: AMARILLO AREA

Request	Capacity	Area	Proposed Point of Interconnection
ASGI-2013-001	11.50	SPS	PanTex South 115kV
GEN-2002-022	240.00	SPS	Bushland 230kV
GEN-2008-051	322.00	SPS	Potter County 345kV
GEN-2008-088	50.60	SPS	Vega 69kV
Llano Estacado (White Deer)	80.00	SPS	Llano Wind 115kV
PRIOR QUEUED SUBTOTAL	704.10		
AREA TOTAL	704.10		

GROUP 6: S-TX PANHANDLE/W-TX AREA			
Request	Capacity	Area	Proposed Point of Interconnection
ASGI-2010-010	42.20	SPS	Lovington 115kV
ASGI-2010-020	30.00	SPS	Tap LE-Tatum - LE-Crossroads 69kV
ASGI-2010-021	15.00	SPS	Tap LE-Saunders Tap - LE-Anderson 69kV
ASGI-2011-001	28.80	SPS	Lovington 115kV
ASGI-2011-003	10.00	SPS	Hendricks 115kV
ASGI-2011-004	20.00	SPS	Pleasant Hill 69kV
ASGI-2012-002	18.15	SPS	FE-Clovis Interchange 115kV
ASGI-2013-002	18.40	SPS	FE Tucumcari 115kV
ASGI-2013-003	18.40	SPS	FE Clovis 115kV
ASGI-2013-005	1.80	SPS	FE Clovis 115kV
ASGI-2013-006	2.00	SPS	SP-Erskine 115kV
GEN-2001-033	180.00	SPS	San Juan Tap 230kV
GEN-2001-036	80.00	SPS	Norton 115kV
GEN-2006-018	170.00	SPS	TUCO Interchange 230kV
GEN-2006-026	604.00	SPS	Hobbs 230kV & Hobbs 115kV
GEN-2008-022	300.00	SPS	Tap Eddy Co - Tolk (Crossroads) 345kV
GEN-2010-006	205.00	SPS	Jones 230kV
GEN-2010-046	56.00	SPS	TUCO Interchange 230kV
GEN-2011-025	82.30	SPS	Tap Floyd County - Crosby County 115kV
GEN-2011-045	205.00	SPS	Jones 230kV
GEN-2011-046	27.00	SPS	Lopez 115kV
GEN-2011-048	175.00	SPS	Mustang 230kV
GEN-2012-001	61.20	SPS	Tap Grassland - Borden County 230kV
GEN-2012-009	15.00	SPS	Mustang 230kV
GEN-2012-010	15.00	SPS	Mustang 230kV
GEN-2012-020	478.00	SPS	TUCO 230kV
GEN-2012-034	7.00	SPS	Mustang 230kV
GEN-2012-035	7.00	SPS	Mustang 230kV
GEN-2012-036	7.00	SPS	Mustang 230kV
GEN-2012-037	203.00	SPS	TUCO 345kV
GEN-2013-016	203.00	SPS	TUCO 345kV
GEN-2013-022	25.00	SPS	Norton 115kV
SPS Distributed (Hopi)	10.00	SPS	Hopi 115kV
SPS Distributed (Jal)	10.00	SPS	S_Jal 115kV
SPS Distributed (Lea Road)	10.00	SPS	Lea Road 115kV
SPS Distributed (Monument)	10.00	SPS	Monument 115kV
SPS Distributed (Ocotillo)	10.00	SPS	S_Jal 115kV
PRIOR QUEUED SUBTOTAL	3,360.25		
ASGI-2014-001	2.50	SPS	SP-Erskine 115kV
GEN-2014-012	225.00	SPS	Tap Hobbs Interchange - Andrews 230kV
CURRENT CLUSTER SUBTOTAL	227.50		
AREA TOTAL	3,587.75		

GROUP 7: SW-OKLAHOMA AREA			
Request	Capacity	Area	Proposed Point of Interconnection
GEN-2001-026	74.00	WFEC	Washita 138kV
GEN-2002-005	120.00	WFEC	Red Hills Tap 138kV
GEN-2003-004	100.00	WFEC	Washita 138kV
GEN-2003-005	100.00	WFEC	Anadarko - Paradise (Blue Canyon) 138kV
GEN-2003-022	120.00	AEPW	Washita 138kV
GEN-2004-020	27.00	AEPW	Washita 34.5kV
GEN-2004-023	20.60	WFEC	Washita 138kV
GEN-2005-003	30.60	WFEC	Washita 138kV
GEN-2006-002	101.00	AEPW	Sweetwater 230kV
GEN-2006-035	225.00	AEPW	Sweetwater 230kV
GEN-2006-043	99.00	AEPW	Sweetwater 230kV
GEN-2007-032	150.00	WFEC	Tap Clinton Junction - Clinton 138kV
GEN-2007-052	150.00	WFEC	Anadarko 138kV
GEN-2008-023	150.00	AEPW	Hobart Junction 138kV
GEN-2008-037	101.00	WFEC	Tap Washita - Blue Canyon Wind 138kV
GEN-2011-037	7.00	WFEC	Blue Canyon 5 138kV
GEN-2011-049	250.00	OKGE	Border 345kV
GEN-2012-028	74.80	WFEC	Gotebo 69kV
PRIOR QUEUED SUBTOTAL	1,900.00		
AREA TOTAL	1,900.00		

GROUP 8: N-OK/S-KS AREA			
Request	Capacity	Area	Proposed Point of Interconnection
ASGI-2010-006	150.00	AECI	Tap Fairfax (AECI) - Shilder (AEPW) 138kV
GEN-2002-004	200.00	WERE	Latham 345kV
GEN-2005-013	201.00	WERE	Tap Latham - Neosho (Caney River) 345kV
GEN-2007-025	300.00	WERE	Viola 345kV
GEN-2008-013	300.00	OKGE	Tap Wichita - Woodring (Hunter) 345kV
GEN-2008-021	42.00	WERE	Wolf Creek 345kV
GEN-2008-098	100.80	WERE	Tap Lacygne - Wolf Creek (Anderson County) 345kV
GEN-2009-025	60.00	OKGE	Nardins 69kV
GEN-2010-003	100.80	WERE	Tap Lacygne - Wolf Creek (Anderson County) 345kV
GEN-2010-005	300.00	WERE	Viola 345kV
GEN-2010-055	4.50	AEPW	Wekiwa 138kV
GEN-2011-057	150.40	WERE	Creswell 138kV
GEN-2012-027	136.00	AEPW	Shidler 138kV
GEN-2012-032	300.00	OKGE	Tap Rose Hill - Sooner (Ranch) 345kV
GEN-2012-033	98.80	OKGE	Tap and Tie South 4th - Bunch Creek & Enid Tap - Fairmont (GEN-2012-033T) 138kV
GEN-2012-040	76.50	WFEC	Chilocco 138kV
GEN-2012-041	121.50	OKGE	Tap Rose Hill - Sooner 345kV
GEN-2013-012	147.00	OKGE	Redbud 345kV
GEN-2013-028	559.50	GRDA	Tap N Tulsa - GRDA 1 345kV
GEN-2013-029	300.00	OKGE	Renfrow 345kV
PRIOR QUEUED SUBTOTAL	3,648.80		
GEN-2014-001	200.60	WERE	Tap Wichita - Emporia Energy Center 345kV
CURRENT CLUSTER SUBTOTAL	200.60		
AREA TOTAL	3,849.40		

GROUP 9/10: NEBRASKA AREA			
Request	Capacity	Area	Proposed Point of Interconnection
GEN-2002-023N	0.80	NPPD	Harmony 115kV
GEN-2003-021N	75.00	NPPD	Ainsworth Wind Tap 115kV
GEN-2004-023N	75.00	NPPD	Columbus Co 115kV
GEN-2006-020N	42.00	NPPD	Bloomfield 115kV
GEN-2006-037N1	75.00	NPPD	Broken Bow 115kV
GEN-2006-038N005	80.00	NPPD	Broken Bow 115kV
GEN-2006-038N019	80.00	NPPD	Petersburg North 115kV
GEN-2006-044N	40.50	NPPD	North Petersburg 115kV
GEN-2007-011N08	81.00	NPPD	Bloomfield 115kV
GEN-2008-086N02	200.00	NPPD	Tap Ft Randle - Columbus (Meadow Grove) 230kV
GEN-2008-119O	60.00	OPPD	S1399 161kV
GEN-2008-123N	89.70	NPPD	Tap Guide Rock - Pauline (Rosemont) 115kV
GEN-2009-040	73.80	WERE	Marshall 115kV
GEN-2010-041	10.50	OPPD	S 1399 161kV
GEN-2010-051	200.00	NPPD	Tap Twin Church - Hoskins 230kV
GEN-2011-018	73.60	NPPD	Steele City 115kV
GEN-2011-027	120.00	NPPD	Tap Twin Church - Hoskins 230kV (GEN-2010-51 Tap)
GEN-2011-056	3.60	NPPD	Jeffrey 115kV
GEN-2011-056A	3.60	NPPD	John 1 115kV
GEN-2011-056B	4.50	NPPD	John 2 115kV
GEN-2012-021	4.80	LES	Terry Bundy Generating Station 115kV
GEN-2013-002	50.60	LES	Tap Sheldon - Folsom & Pleasant Hill 115kV CKT 2
GEN-2013-008	1.20	NPPD	Steele City 115kV
GEN-2013-014	25.50	NPPD	Tap Guide Rock - Pauline (GEN-2008-123N Tap) 115kV
GEN-2013-019	73.60	LES	Tap Sheldon - Folsom & Pleasant Hill (GEN-2013-002 Tap) 115kV CKT 2
GEN-2013-032	204.00	NPPD	Neligh 115kV
NPPD Distributed (Broken Bow)	8.30	NPPD	Broken Bow 115kV
NPPD Distributed (Burt County Wind)	12.00	NPPD	Tekamah & Oakland 115kV
NPPD Distributed (Burwell)	3.00	NPPD	Ord 115kV
NPPD Distributed (Columbus Hydro)	45.00	NPPD	Columbus 115kV
NPPD Distributed (Ord)	11.90	NPPD	Ord 115kV
NPPD Distributed (Stuart)	2.10	NPPD	Ainsworth 115kV
PRIOR QUEUED SUBTOTAL	1,830.60		
GEN-2014-004	3.96	NPPD	Steele City 115kV (GEN-2011-018 POI)
GEN-2014-013	73.50	NPPD	Meadow Grove (GEN-2008-086N2 Sub) 230kV
CURRENT CLUSTER SUBTOTAL	77.46		
AREA TOTAL	1,908.06		

GROUP 12: NW-AR AREA

Request	Capacity	Area	Proposed Point of Interconnection
GEN-2013-011	30.00	AEPW	Turk 138kV
PRIOR QUEUED SUBTOTAL	30.00		
AREA TOTAL	30.00		

GROUP 13: NW MISSOURI AREA

Request	Capacity	Area	Proposed Point of Interconnection
ASGI-2013-007	90.00	AECI	Tap Hickory Creek - Locust Creek 161kV
GEN-2008-129	80.00	MIPU	Pleasant Hill 161kV
GEN-2010-036	4.60	WERE	6th Street 115kV
GEN-2011-011	50.00	KACP	Iatan 345kV
PRIOR QUEUED SUBTOTAL	224.60		
AREA TOTAL	224.60		

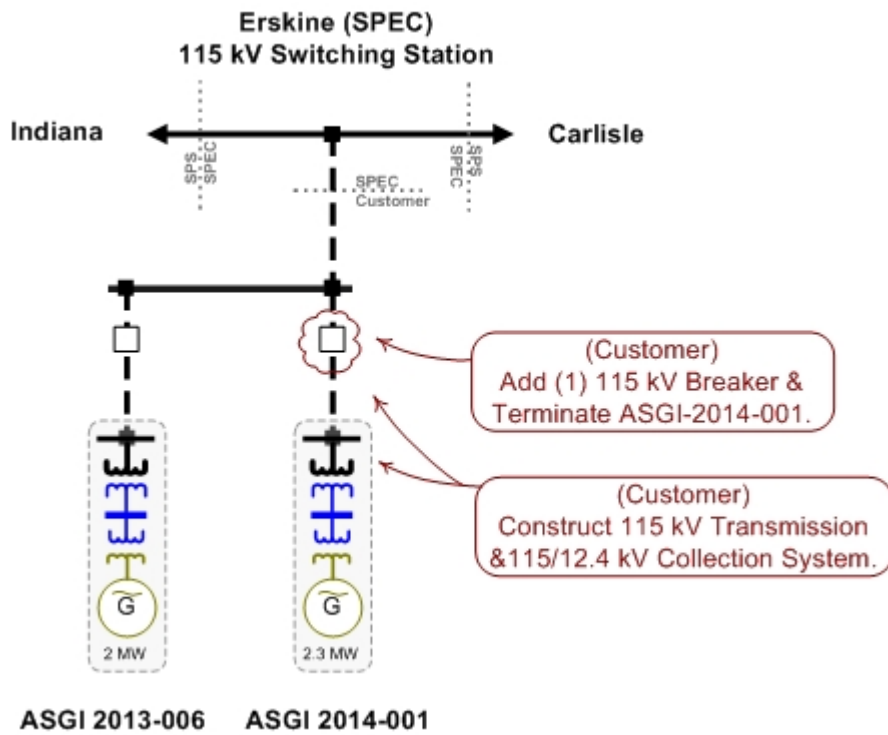
GROUP 14: S-OKLAHOMA AREA

Request	Capacity	Area	Proposed Point of Interconnection
GEN-2011-040	111.00	OKGE	Tap Ratliff - Pooleville 138kV
GEN-2011-050	109.80	AEPW	Rush Springs Natural Gas Tap 138kV
GEN-2012-004	41.40	OKGE	Tap Ratliff - Pooleville (Carter County) 138kV
GEN-2013-007	100.30	OKGE	Tap Prices Falls - Carter 138kV
PRIOR QUEUED SUBTOTAL	362.50		
AREA TOTAL	362.50		

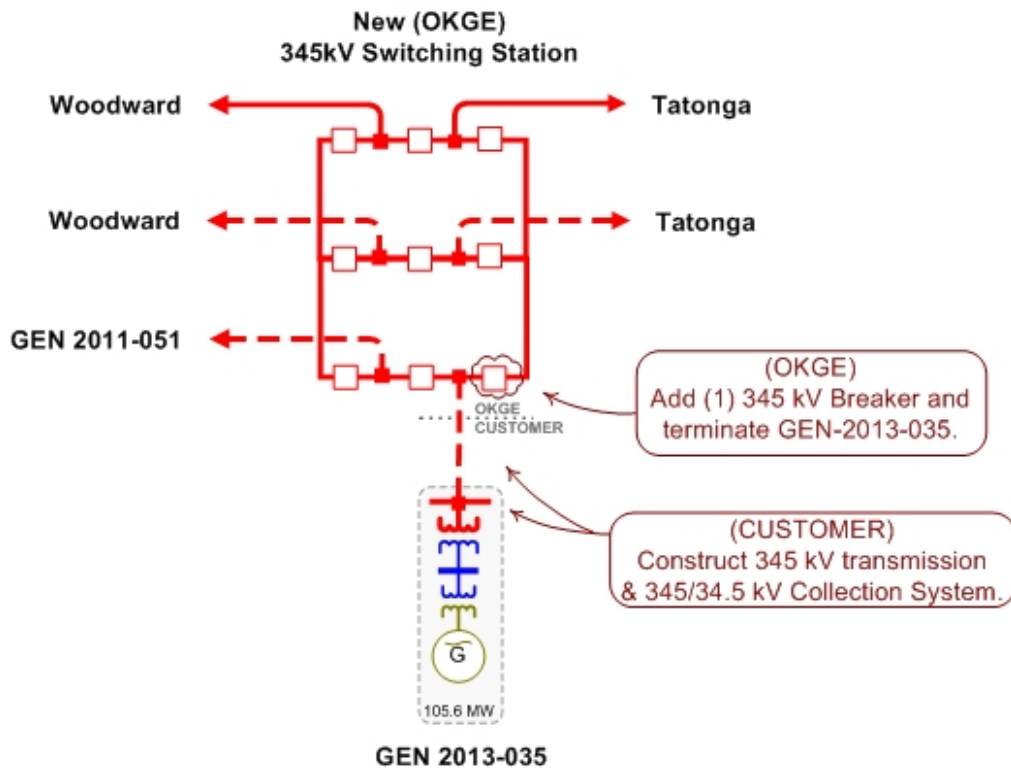
CLUSTER TOTAL (CURRENT STUDY)	637.6	MW
PQ TOTAL (PRIOR QUEUED)	24,593.7	MW
CLUSTER TOTAL (INCLUDING PRIOR QUEUED)	25,231.3	MW

D: Proposed Point of Interconnection One Line Diagrams

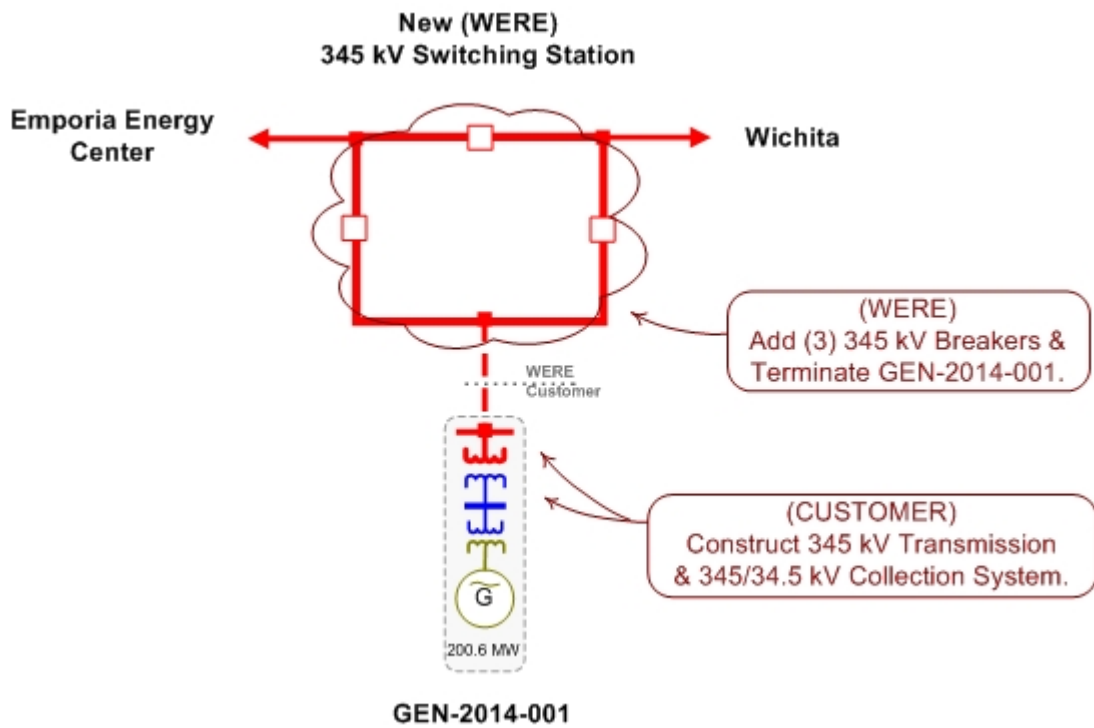
ASGI-2014-001



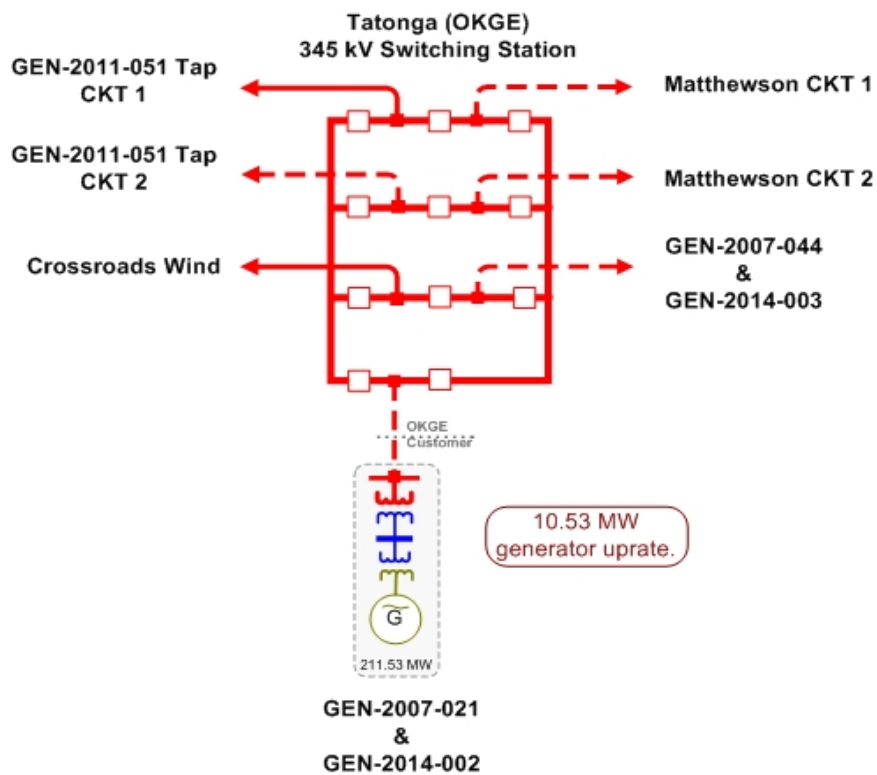
GEN-2013-035



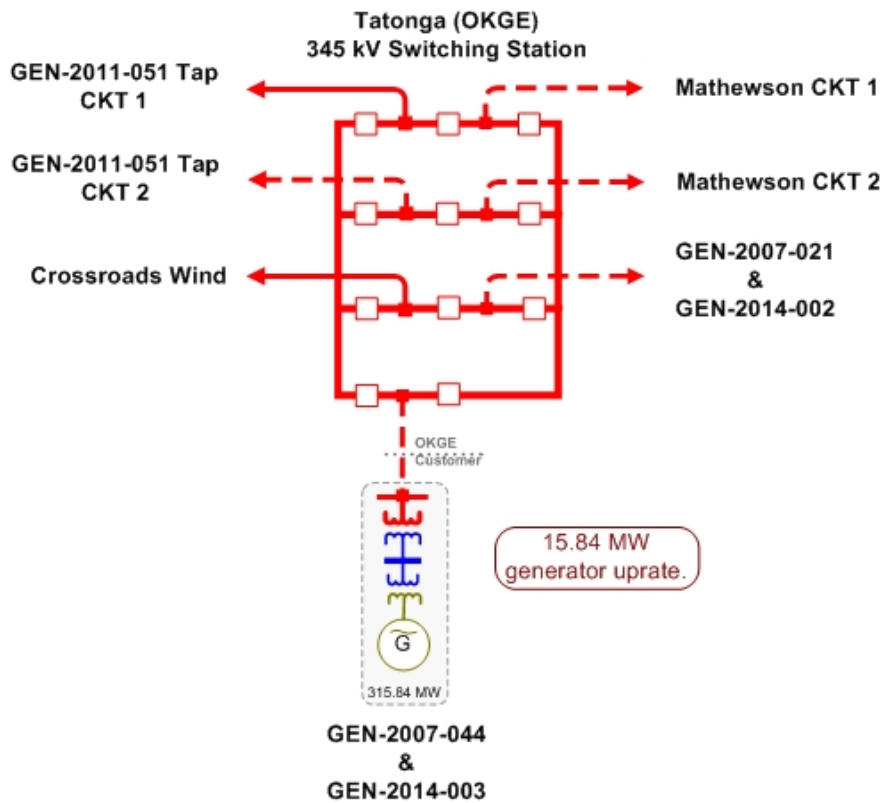
GEN-2014-001



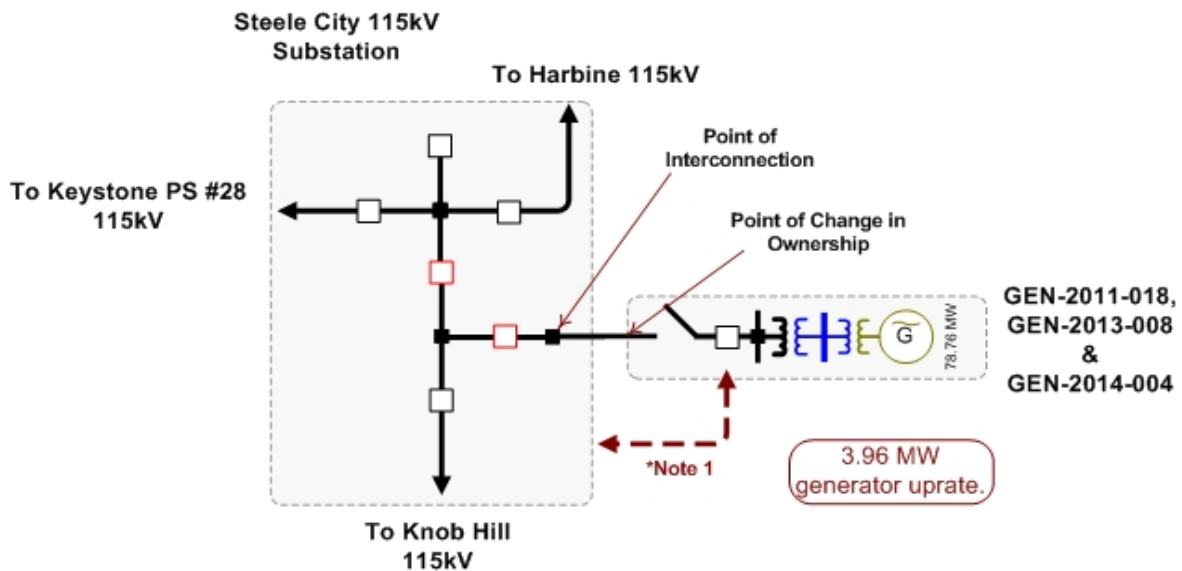
GEN-2014-002



GEN-2014-003

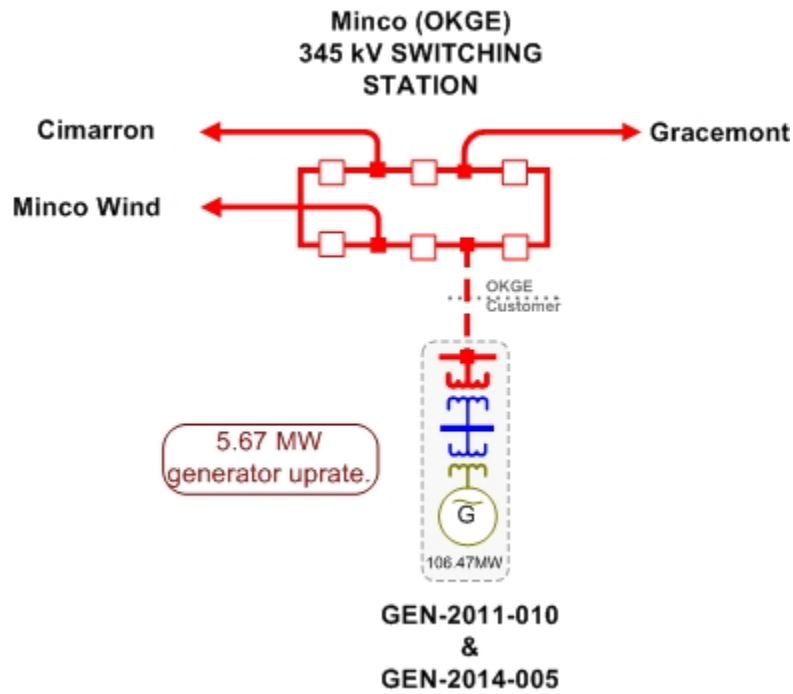


GEN-2014-004

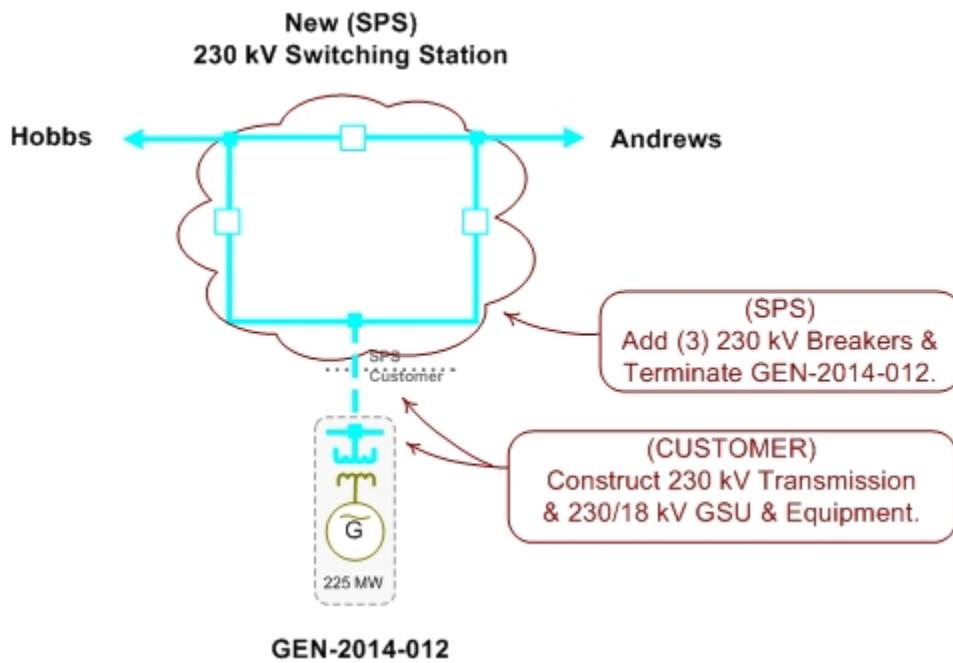


***Note 1: Breaker status & control signal to Transmission Owner to allow operation by Transmission Owner of 115kV breaker during Emergency Condition. Breaker operation will need coordination to ensure safe operation of the transmission line.**

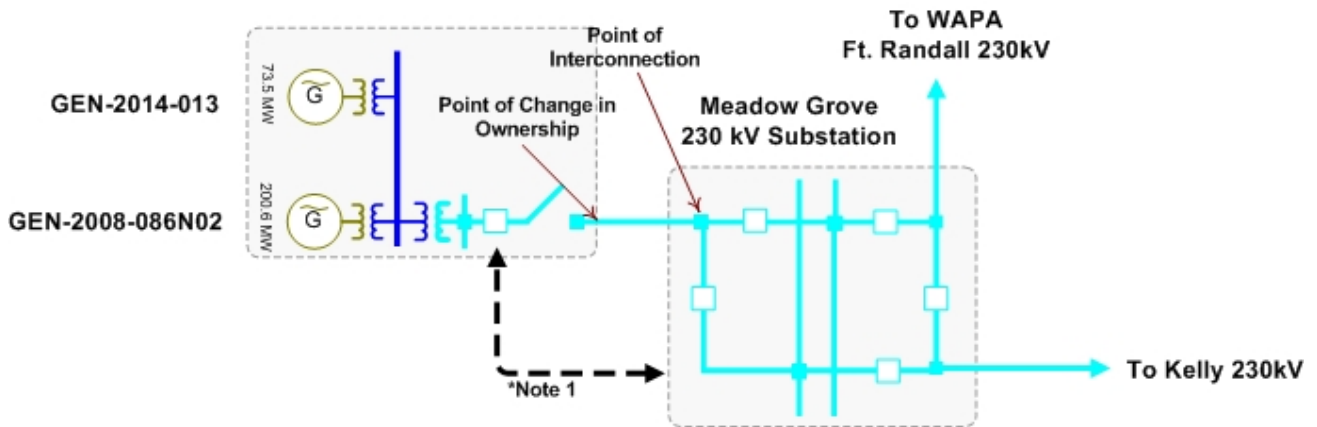
GEN-2014-005



GEN-2014-012



GEN-2014-013



***Note 1: Breaker status & control signal to Transmission Owner to allow operation by Transmission Owner of 230kV breaker during Emergency Condition. Breaker operation will need coordination to ensure safe operation of the transmission line.**

E: Cost Allocation per Interconnection Request (Including Prior Queued Upgrades)

Important Note:

****WITHDRAWAL OF HIGHER QUEUED PROJECTS WILL CAUSE A RESTUDY
AND MAY RESULT IN HIGHER INTERCONNECTION COSTS****

This section shows each Generation Interconnection Request Customer, their current study impacted Network Upgrades, and the previously allocated upgrades upon which they rely to accommodate their interconnection to the transmission system.

The costs associated with the current study Network Upgrades are allocated to the Customers shown in this report.

In addition should a higher queued request, defined as one this study includes as a prior queued request, withdraw, the Network Upgrades assigned to the withdrawn request may be reallocated to the remaining requests that have an impact on the Network Upgrade under a restudy. Also, should an Interconnection Request choose to go into service prior to the operation date of any necessary Network Upgrades, the costs associated with those upgrades may be reallocated to the impacted Interconnection Request. The actual costs allocated to each Generation Interconnection Request Customer will be determined at the time of a restudy.

The required interconnection costs listed do not include all costs associated with the deliverability of the energy to final customers. These costs are determined by separate studies if the Customer submits a Transmission Service Request through SPP's Open Access Same Time Information System (OASIS) as required by Attachment Z1 of the SPP OATT. In addition, costs associated with a short circuit analysis will be allocated should the Interconnection Request Customer choose to execute a Facility Study Agreement.

There may be additional costs allocated to each Customer. See Appendix F for more details.

Appendix E. Cost Allocation Per Request

(Including Previously Allocated Network Upgrades*)

Interconnection Request and Upgrades	Upgrade Type	Allocated Cost	Upgrade Cost
ASGI-2014-001			
ASGI-2014-001 Interconnection Costs See One-line diagram	Current Study	\$0.00	\$0.00
Border - Tuco Interchange 345KV CKT 1 Balanced Portfolio: Tuco - Woodward 345kV CKT 1 (Total Project E&C Cost Shown)	In-Service		\$249,247,072.00
Thistle - Woodward 345KV Dbl CKT Priority Project: Thistle - Woodward Dbl 345kV CKT (Total Project E&C Cost Shown)	Previously Allocated		\$207,782,000.00
	Current Study Total	\$0.00	
GEN-2013-035			
GEN-2013-035 Interconnection Costs See One-line diagram	Current Study	\$3,000,000.00	\$3,000,000.00
Border - Tuco Interchange 345KV CKT 1 Balanced Portfolio: Tuco - Woodward 345kV CKT 1 (Total Project E&C Cost Shown)	In-Service		\$249,247,072.00
Thistle - Woodward 345KV Dbl CKT Priority Project: Thistle - Woodward Dbl 345kV CKT (Total Project E&C Cost Shown)	Previously Allocated		\$207,782,000.00
	Current Study Total	\$3,000,000.00	
GEN-2014-001			
GEN-2014-001 Interconnection Costs See One-line diagram	Current Study	\$10,000,000.00	\$10,000,000.00
Iatan - Nashua 345KV CKT 1 Balanced Portfolio: Iatan - Nashua 345kV CKT 1 (Total Project E&C Cost Shown).	Previously Allocated		\$60,569,180.00
Nashua 345/161/13.8KV Autotransformer CKT 1 Balanced Portfolio: Nashua/161/13.8 Autotransformer 345kV CKT 1 (Total Project E&C Cost Shown).	Previously Allocated		\$4,230,000.00
	Current Study Total	\$10,000,000.00	
GEN-2014-002			
GEN-2014-002 Interconnection Costs See One-line diagram	Current Study	\$0.00	\$0.00
Border - Tuco Interchange 345KV CKT 1 Balanced Portfolio: Tuco - Woodward 345kV CKT 1 (Total Project E&C Cost Shown)	In-Service		\$249,247,072.00

* Withdrawal of higher queued projects will cause a restudy and may result in higher costs

Interconnection Request and Upgrades	Upgrade Type	Allocated Cost	Upgrade Cost
Thistle - Woodward 345KV Dbl CKT Priority Project: Thistle - Woodward Dbl 345kV CKT (Total Project E&C Cost Shown)	Previously Allocated		\$207,782,000.00
	Current Study Total	\$0.00	
GEN-2014-003			
GEN-2014-003 Interconnection Costs See One-line diagram	Current Study	\$0.00	\$0.00
Border - Tuco Interchange 345KV CKT 1 Balanced Portfolio: Tuco - Woodward 345kV CKT 1 (Total Project E&C Cost Shown)	In-Service		\$249,247,072.00
Thistle - Woodward 345KV Dbl CKT Priority Project: Thistle - Woodward Dbl 345kV CKT (Total Project E&C Cost Shown)	Previously Allocated		\$207,782,000.00
	Current Study Total	\$0.00	
GEN-2014-004			
GEN-2014-004 Interconnection Costs See One-line diagram	Current Study	\$0.00	\$0.00
	Current Study Total	\$0.00	
GEN-2014-005			
GEN-2014-005 Interconnection Costs See One-line diagram	Current Study	\$0.00	\$0.00
Border - Tuco Interchange 345KV CKT 1 Balanced Portfolio: Tuco - Woodward 345kV CKT 1 (Total Project E&C Cost Shown)	In-Service		\$249,247,072.00
Thistle - Woodward 345KV Dbl CKT Priority Project: Thistle - Woodward Dbl 345kV CKT (Total Project E&C Cost Shown)	Previously Allocated		\$207,782,000.00
	Current Study Total	\$0.00	
GEN-2014-012			
GEN-2014-012 Interconnection Costs See One-line diagram	Current Study	\$12,000,000.00	\$12,000,000.00
National Enrichment Plant-Targa 115kV CKT 1 Rebuild approximately 4 miles of 115kV from National Enrichment Plant to Targa.	Current Study	\$3,122,580.00	\$3,122,580.00
Targa-Cardinal 115kV CKT 1 Rebuild approximately 3 miles of 115kV from Targa to Cardinal.	Current Study	\$2,199,000.00	\$2,199,000.00
Border - Tuco Interchange 345KV CKT 1 Balanced Portfolio: Tuco - Woodward 345kV CKT 1 (Total Project E&C Cost Shown)	In-Service		\$249,247,072.00

* Withdrawal of higher queued projects will cause a restudy and may result in higher costs

Interconnection Request and Upgrades	Upgrade Type	Allocated Cost	Upgrade Cost
Amoco Wasson - Oxy Tap 230kV CKT 1 Replace line traps at both terminals	Previously Allocated		\$200,000.00
Hobbs Interchange - Kiowa 345kV CKT 1 Per HPILs SPP-NTC-200283 (Total Project E&C Cost Shown)	Previously Allocated		\$65,989,591.00
Kiowa - Road Runner 345/230/115kV Projects Per HPILs SPP-NTC-200283 (Total Project E&C Cost Shown)	Previously Allocated		\$21,560,659.00
Livingston Ridge - Sage Brush - Lagarto - Cardinal 115kV CKT 1 Per HPILs SPP-NTC-200283 (Total Project E&C Cost Shown)	Previously Allocated		\$37,316,546.00
Thistle - Woodward 345KV Dbl CKT Priority Project: Thistle - Woodward Dbl 345kV CKT (Total Project E&C Cost Shown)	Previously Allocated		\$207,782,000.00
TUCO Interchange - Yoakum - Hobbs 345/230kV Projects Per HPILs SPP-NTC-200283 (Total Project E&C Cost Shown)	Previously Allocated		\$237,543,568.00
	Current Study Total		\$17,321,580.00
GEN-2014-013			
GEN-2014-013 Interconnection Costs See One-line diagram	Current Study	\$1,400,000.00	\$1,400,000.00
Hoskins - Dixon County - Twin Church 230kV Rerate per NPPD Facility Study	Previously Allocated		\$500,000.00
Twin Church - Dixon County 230kV Increase conductor clearances to accommodate 320MVA facility rating	Previously Allocated		\$100,000.00
	Current Study Total		\$1,400,000.00
TOTAL CURRENT STUDY COSTS:			\$31,721,580.00

* Withdrawal of higher queued projects will cause a restudy and may result in higher costs

F: Cost Allocation per Proposed Study Network Upgrade

Important Note:

****WITHDRAWAL OF HIGHER QUEUED PROJECTS WILL CAUSE A RESTUDY
AND MAY RESULT IN HIGHER INTERCONNECTION COSTS****

This section shows each Direct Assigned Facility and Network Upgrade and the Generation Interconnection Request Customer(s) which have an impact in this study assuming all higher queued projects remain in the queue and achieve commercial operation.

The required interconnection costs listed do not include all costs associated with the deliverability of the energy to final customers. These costs are determined by separate studies if the Customer submits a Transmission Service Request through SPP's Open Access Same Time Information System (OASIS) as required by Attachment Z1 of the SPP OATT. In addition, costs associated with a short circuit analysis will be allocated should the Interconnection Request Customer choose to execute a Facility Study Agreement.

There may be additional costs allocated to each Customer. See Appendix E for more details.

Appendix F. Cost Allocation by Upgrade

ASGI-2014-001 Interconnection Costs		\$0.00
See One-line diagram		
	ASGI-2014-001	\$0.00
	Total Allocated Costs	\$0.00
GEN-2013-035 Interconnection Costs		\$3,000,000.00
See One-line diagram		
	GEN-2013-035	\$3,000,000.00
	Total Allocated Costs	\$3,000,000.00
GEN-2014-001 Interconnection Costs		\$10,000,000.00
See One-line diagram		
	GEN-2014-001	\$10,000,000.00
	Total Allocated Costs	\$10,000,000.00
GEN-2014-002 Interconnection Costs		\$0.00
See One-line diagram		
	GEN-2014-002	\$0.00
	Total Allocated Costs	\$0.00
GEN-2014-003 Interconnection Costs		\$0.00
See One-line diagram		
	GEN-2014-003	\$0.00
	Total Allocated Costs	\$0.00
GEN-2014-004 Interconnection Costs		\$0.00
See One-line diagram		
	GEN-2014-004	\$0.00
	Total Allocated Costs	\$0.00
GEN-2014-005 Interconnection Costs		\$0.00
See One-line diagram		
	GEN-2014-005	\$0.00
	Total Allocated Costs	\$0.00

* Withdrawal of higher queued projects will cause a restudy and may result in higher costs

GEN-2014-012 Interconnection Costs **\$12,000,000.00**

See One-line diagram

GEN-2014-012 \$12,000,000.00

Total Allocated Costs **\$12,000,000.00**

GEN-2014-013 Interconnection Costs **\$1,400,000.00**

See One-line diagram

GEN-2014-013 \$1,400,000.00

Total Allocated Costs **\$1,400,000.00**

National Enrichment Plant-Targa 115kV CKT 1 **\$3,122,580.00**

Rebuild approximately 4 miles of 115kV from National Enrichment Plant to Targa.

GEN-2014-012 \$3,122,580.00

Total Allocated Costs **\$3,122,580.00**

Targa-Cardinal 115kV CKT 1 **\$2,199,000.00**

Rebuild approximately 3 miles of 115kV from Targa to Cardinal.

GEN-2014-012 \$2,199,000.00

Total Allocated Costs **\$2,199,000.00**

* Withdrawal of higher queued projects will cause a restudy and may result in higher costs

G: Power Flow Analysis (Constraints Used For Mitigation)

See next page.

SOLUTION	GROUP	SCENARIO	SEASON	SOURCE	DIRECTION	MONITORED ELEMENT		RATEB (MVA)	TDF	TC%LOADING (% MVA)	CONTINGENCY	
FDNS	0	0	20SP	G14_012	FROM->TO	National Enrichment Plant Sub - TARGA	3115.00 115KV CKT 1	120	0.47226	129.4995	G14_012T	230.00 - HOBBS INTERCHANGE 230KV CKT 1
FDNS	00G14_012	0	20SP	G14_012	FROM->TO	National Enrichment Plant Sub - TARGA	3115.00 115KV CKT 1	120	0.47226	129.496	G14_012T	230.00 - HOBBS INTERCHANGE 230KV CKT 1
FDNS	0	0	20WP	G14_012	FROM->TO	National Enrichment Plant Sub - TARGA	3115.00 115KV CKT 1	139	0.47231	120.4011	G14_012T	230.00 - HOBBS INTERCHANGE 230KV CKT 1
FDNS	00G14_012	0	20WP	G14_012	FROM->TO	National Enrichment Plant Sub - TARGA	3115.00 115KV CKT 1	139	0.47231	120.3952	G14_012T	230.00 - HOBBS INTERCHANGE 230KV CKT 1
FDNS	0	0	20SP	G14_012	TO->FROM	National Enrichment Plant Tap - TARGA	3115.00 115KV CKT 1	120	0.47226	113.5818	G14_012T	230.00 - HOBBS INTERCHANGE 230KV CKT 1
FDNS	00G14_012	0	20SP	G14_012	TO->FROM	National Enrichment Plant Tap - TARGA	3115.00 115KV CKT 1	120	0.47226	113.5783	G14_012T	230.00 - HOBBS INTERCHANGE 230KV CKT 1
FDNS	0	0	20WP	G14_012	TO->FROM	National Enrichment Plant Tap - TARGA	3115.00 115KV CKT 1	139	0.47231	108.5935	G14_012T	230.00 - HOBBS INTERCHANGE 230KV CKT 1
FDNS	00G14_012	0	20WP	G14_012	TO->FROM	National Enrichment Plant Tap - TARGA	3115.00 115KV CKT 1	139	0.47231	108.5876	G14_012T	230.00 - HOBBS INTERCHANGE 230KV CKT 1

H: Power Flow Analysis (Other Constraints Not Requiring Mitigation)

See next page.

SOLUTION	GROUP	SCENARIO	SEASON	SOURCE	DIRECTION	MONITORED ELEMENT	RATEB (MVA)	TDF	TC%LOADING (% MVA)	CONTINGENCY	
FDNS	01ALL		0	15G	ASGI_14_001	FROM->TO	CLEARWATER - GILL ENERGY CENTER WEST 138KV CKT 1	143	0.03249	127.361	DBL-THIS-WIC
FDNS	1		0	15G	ASGI_14_001	FROM->TO	CLEARWATER - GILL ENERGY CENTER WEST 138KV CKT 1	143	0.03247	109.7233	DBL-THIS-WIC
FDNS	01ALL		0	15G	ASGI_14_001	TO->FROM	CLEARWATER - MILAN TAP 138KV CKT 1	110	0.03249	175.6296	DBL-THIS-WIC
FDNS	1		0	15G	ASGI_14_001	TO->FROM	CLEARWATER - MILAN TAP 138KV CKT 1	110	0.03247	152.3121	DBL-THIS-WIC
FDNS	06ALL		0	15G	ASGI_14_001	TO->FROM	CLEARWATER - MILAN TAP 138KV CKT 1	110	0.03197	124.4286	DBL-THIS-WIC
FDNS	01ALL		0	15G	ASGI_14_001	TO->FROM	FLATRDG3 - THISTLE4 138.00 138KV CKT 1	286	0.04731	109.8689	DBL-THIS-WIC
FDNS	01ALL		0	15G	ASGI_14_001	FROM->TO	FPL SWITCH - MOORELAND 138KV CKT 1	287	0.04659	140.5605	NORTHWEST - TATONGA7 345.00 345KV CKT 1
FDNS	01ALL		0	15G	ASGI_14_001	FROM->TO	FPL SWITCH - MOORELAND 138KV CKT 1	287	0.05466	140.2435	DBL-THIS-WWR
FDNS	01ALL		0	15G	ASGI_14_001	FROM->TO	FPL SWITCH - MOORELAND 138KV CKT 1	287	0.04659	131.8231	SPSCONT-05B
FDNS	01ALL		0	15G	ASGI_14_001	FROM->TO	FPL SWITCH - MOORELAND 138KV CKT 1	287	0.04659	130.3129	SPSCONT-04
FDNS	01ALL		0	15G	ASGI_14_001	FROM->TO	FPL SWITCH - MOORELAND 138KV CKT 1	287	0.04378	125.5536	DBL-THIS-WIC
FDNS	1		0	15G	ASGI_14_001	FROM->TO	FPL SWITCH - MOORELAND 138KV CKT 1	287	0.04611	119.7451	NORTHWEST - TATONGA7 345.00 345KV CKT 1
FDNS	1		0	15G	ASGI_14_001	FROM->TO	FPL SWITCH - MOORELAND 138KV CKT 1	287	0.05449	116.6992	DBL-THIS-WWR
FDNS	1		0	15G	ASGI_14_001	FROM->TO	FPL SWITCH - MOORELAND 138KV CKT 1	287	0.04611	112.3832	SPSCONT-05B
FDNS	01ALL		0	15G	ASGI_14_001	FROM->TO	FPL SWITCH - MOORELAND 138KV CKT 1	287	0.03297	112.1484	WOODWARD (WOODWRD2) 138/69/13.2KV TRANSFORMER CKT 1
FDNS	1		0	15G	ASGI_14_001	FROM->TO	FPL SWITCH - MOORELAND 138KV CKT 1	287	0.04611	111.2231	SPSCONT-04
FDNS	01ALL		0	15G	ASGI_14_001	FROM->TO	FPL SWITCH - MOORELAND 138KV CKT 1	287	0.03566	108.057	THISTLE7 345.00 - WOODWARD DISTRICT EHV 345KV CKT 1
FDNS	01ALL		0	15G	ASGI_14_001	FROM->TO	FPL SWITCH - MOORELAND 138KV CKT 1	287	0.03566	108.057	THISTLE7 345.00 - WOODWARD DISTRICT EHV 345KV CKT 2
FDNS	1		0	15G	ASGI_14_001	FROM->TO	FPL SWITCH - MOORELAND 138KV CKT 1	287	0.04349	107.89	DBL-THIS-WIC
FDNS	01ALL		0	15G	ASGI_14_001	FROM->TO	FPL SWITCH - MOORELAND 138KV CKT 1	287	0.03495	106.8891	IODINE - WOODWARD EHV 138KV CKT 1
FDNS	01ALL		0	15G	ASGI_14_001	FROM->TO	FPL SWITCH - MOORELAND 138KV CKT 1	287	0.03495	105.7994	DEWEY - IODINE 138KV CKT 1
FDNS	01ALL		0	15G	ASGI_14_001	FROM->TO	FPL SWITCH - MOORELAND 138KV CKT 1	287	0.03297	104.2123	WOODWARD - WOODWARD 69KV CKT 1
FDNS	01ALL		0	15G	ASGI_14_001	FROM->TO	FPL SWITCH - MOORELAND 138KV CKT 1	287	0.03266	104.0165	THISTLE7 345.00 - WICHITA 345KV CKT 1
FDNS	01ALL		0	15G	ASGI_14_001	FROM->TO	FPL SWITCH - MOORELAND 138KV CKT 1	287	0.03266	104.0165	THISTLE7 345.00 - WICHITA 345KV CKT 2
FDNS	01ALL		0	15G	ASGI_14_001	FROM->TO	FPL SWITCH - MOORELAND 138KV CKT 1	287	0.04659	103.8924	G11_051T 345.00 - TATONGA7 345.00 345KV CKT 1
FDNS	01ALL		0	15G	ASGI_14_001	FROM->TO	FPL SWITCH - MOORELAND 138KV CKT 1	287	0.05078	101.3834	LAWTON EASTSIDE - OKLAUNION 345KV CKT 1
FDNS	01ALL		0	15G	ASGI_14_001	FROM->TO	FPL SWITCH - MOORELAND 138KV CKT 1	287	0.04125	100.7515	ELK CITY 230KV - SWEETWATER 230KV CKT 1
FDNS	01ALL		0	15G	ASGI_14_001	FROM->TO	FPL SWITCH - MOORELAND 138KV CKT 1	287	0.04125	100.7486	ELK CITY 230KV (ELKCTY-6) 230/138/13.8KV TRANSFORMER CKT 1
FDNS	01ALL		0	15G	ASGI_14_001	FROM->TO	FPL SWITCH - MOORELAND 138KV CKT 1	287	0.03473	100.3154	FINNEY SWITCHING STATION - HOLCOMB 345KV CKT 1
FDNS	01ALL		0	15G	ASGI_14_001	FROM->TO	FPL SWITCH - MOORELAND 138KV CKT 1	287	0.03473	100.2312	GRAPEVINE INTERCHANGE - NICHOLS STATION 230KV CKT 1
FDNS	01ALL		0	15G	ASGI_14_001	FROM->TO	FPL SWITCH - MOORELAND 138KV CKT 1	287	0.03017	99.9	G11-17T 345.00 - POST ROCK 345KV CKT 1
FDNS	01ALL		0	15G	ASGI_14_001	FROM->TO	FPL SWITCH - MOORELAND 138KV CKT 1	287	0.03473	99.8	SPP-SWPS-05
FDNS	01ALL		0	15G	ASGI_14_001	FROM->TO	FPL SWITCH - MOORELAND 138KV CKT 1	287	0.03473	99.7	FINNEY SWITCHING STATION - Hitchland Interchange 345KV CKT 1
FDNS	01ALL		0	15G	ASGI_14_001	FROM->TO	FPL SWITCH - MOORELAND 138KV CKT 1	287	0.03027	99.5	CARTER JCT - WOODWARD 69KV CKT 1
FDNS	01ALL		0	15G	ASGI_14_001	TO->FROM	FPL SWITCH - WOODWARD 138KV CKT 1	153	0.04659	207.9824	NORTHWEST - TATONGA7 345.00 345KV CKT 1
FDNS	01ALL		0	15G	ASGI_14_001	TO->FROM	FPL SWITCH - WOODWARD 138KV CKT 1	153	0.05466	202.9925	DBL-THIS-WWR
FDNS	01ALL		0	15G	ASGI_14_001	TO->FROM	FPL SWITCH - WOODWARD 138KV CKT 1	153	0.04659	189.6207	SPSCONT-05B
FDNS	01ALL		0	15G	ASGI_14_001	TO->FROM	FPL SWITCH - WOODWARD 138KV CKT 1	153	0.04659	186.4538	SPSCONT-04
FDNS	1		0	15G	ASGI_14_001	TO->FROM	FPL SWITCH - WOODWARD 138KV CKT 1	153	0.04611	179.2008	NORTHWEST - TATONGA7 345.00 345KV CKT 1
FDNS	01ALL		0	15G	ASGI_14_001	TO->FROM	FPL SWITCH - WOODWARD 138KV CKT 1	153	0.04378	176.6014	DBL-THIS-WIC
FDNS	1		0	15G	ASGI_14_001	TO->FROM	FPL SWITCH - WOODWARD 138KV CKT 1	153	0.05449	173.4029	DBL-THIS-WWR
FDNS	1		0	15G	ASGI_14_001	TO->FROM	FPL SWITCH - WOODWARD 138KV CKT 1	153	0.04611	166.2765	SPSCONT-05B
FDNS	1		0	15G	ASGI_14_001	TO->FROM	FPL SWITCH - WOODWARD 138KV CKT 1	153	0.04611	164.1345	SPSCONT-04
FDNS	1		0	15G	ASGI_14_001	TO->FROM	FPL SWITCH - WOODWARD 138KV CKT 1	153	0.04349	157.7779	DBL-THIS-WIC
FDNS	01ALL		0	15G	ASGI_14_001	TO->FROM	FPL SWITCH - WOODWARD 138KV CKT 1	153	0.03297	154.6751	WOODWARD (WOODWRD2) 138/69/13.2KV TRANSFORMER CKT 1
FDNS	01ALL		0	15G	ASGI_14_001	TO->FROM	FPL SWITCH - WOODWARD 138KV CKT 1	153	0.03495	146.3801	IODINE - WOODWARD EHV 138KV CKT 1
FDNS	01ALL		0	15G	ASGI_14_001	TO->FROM	FPL SWITCH - WOODWARD 138KV CKT 1	153	0.03566	146.1523	THISTLE7 345.00 - WOODWARD DISTRICT EHV 345KV CKT 1
FDNS	01ALL		0	15G	ASGI_14_001	TO->FROM	FPL SWITCH - WOODWARD 138KV CKT 1	153	0.03566	146.1523	THISTLE7 345.00 - WOODWARD DISTRICT EHV 345KV CKT 2
FDNS	01ALL		0	15G	ASGI_14_001	TO->FROM	FPL SWITCH - WOODWARD 138KV CKT 1	153	0.03495	144.516	DEWEY - IODINE 138KV CKT 1
FDNS	1		0	15G	ASGI_14_001	TO->FROM	FPL SWITCH - WOODWARD 138KV CKT 1	153	0.03264	142.4312	WOODWARD (WOODWRD2) 138/69/13.2KV TRANSFORMER CKT 1
FDNS	01ALL		0	15G	ASGI_14_001	TO->FROM	FPL SWITCH - WOODWARD 138KV CKT 1	153	0.03297	141.9472	WOODWARD - WOODWARD 69KV CKT 1
FDNS	06ALL		0	15G	ASGI_14_001	TO->FROM	FPL SWITCH - WOODWARD 138KV CKT 1	153	0.04477	140.8234	NORTHWEST - TATONGA7 345.00 345KV CKT 1
FDNS	01ALL		0	15G	ASGI_14_001	TO->FROM	FPL SWITCH - WOODWARD 138KV CKT 1	153	0.03266	139.174	THISTLE7 345.00 - WICHITA 345KV CKT 1
FDNS	01ALL		0	15G	ASGI_14_001	TO->FROM	FPL SWITCH - WOODWARD 138KV CKT 1	153	0.03266	139.174	THISTLE7 345.00 - WICHITA 345KV CKT 2
FDNS	01ALL		0	15G	ASGI_14_001	TO->FROM	FPL SWITCH - WOODWARD 138KV CKT 1	153	0.04659	139.1361	G11_051T 345.00 - TATONGA7 345.00 345KV CKT 1
FDNS	06ALL		0	15G	ASGI_14_001	TO->FROM	FPL SWITCH - WOODWARD 138KV CKT 1	153	0.04477	137.6033	SPSCONT-05B
FDNS	06ALL		0	15G	ASGI_14_001	TO->FROM	FPL SWITCH - WOODWARD 138KV CKT 1	153	0.04477	137.0353	SPSCONT-04
FDNS	06ALL		0	15G	ASGI_14_001	TO->FROM	FPL SWITCH - WOODWARD 138KV CKT 1	153	0.0425	135.3402	DBL-THIS-WIC

SOLUTION	GROUP	SCENARIO	SEASON	SOURCE	DIRECTION	MONITORED ELEMENT	RATEB (MVA)	TDF	TC%LOADING (% MVA)	CONTINGENCY
FDNS	01ALL	0	15G	ASGI_14_001	TO->FROM	FPL SWITCH - WOODWARD 138KV CKT 1	153	0.05078	134.6434	LAWTON EASTSIDE - OKLAUNION 345KV CKT 1
FDNS	1	0	15G	ASGI_14_001	TO->FROM	FPL SWITCH - WOODWARD 138KV CKT 1	153	0.03459	133.8546	IODINE - WOODWARD EHV 138KV CKT 1
FDNS	01ALL	0	15G	ASGI_14_001	TO->FROM	FPL SWITCH - WOODWARD 138KV CKT 1	153	0.04125	133.1597	ELK CITY 230KV - SWEETWATER 230KV CKT 1
FDNS	01ALL	0	15G	ASGI_14_001	TO->FROM	FPL SWITCH - WOODWARD 138KV CKT 1	153	0.04125	133.1559	ELK CITY 230KV (ELKCTY-6) 230/138/13.8KV TRANSFORMER CKT 1
FDNS	01ALL	0	15G	ASGI_14_001	TO->FROM	FPL SWITCH - WOODWARD 138KV CKT 1	153	0.03473	132.8488	FINNEY SWITCHING STATION - HOLCOMB 345KV CKT 1
FDNS	01ALL	0	15G	ASGI_14_001	TO->FROM	FPL SWITCH - WOODWARD 138KV CKT 1	153	0.03473	132.7059	GRAPEVINE INTERCHANGE - NICHOLS STATION 230KV CKT 1
FDNS	01ALL	0	15G	ASGI_14_001	TO->FROM	FPL SWITCH - WOODWARD 138KV CKT 1	153	0.03017	132.18	G11-17T 345.00 - POST ROCK 345KV CKT 1
FDNS	06ALL	0	15G	ASGI_14_001	TO->FROM	FPL SWITCH - WOODWARD 138KV CKT 1	153	0.05358	132.0405	DBL-THIS-WWR
FDNS	1	0	15G	ASGI_14_001	TO->FROM	FPL SWITCH - WOODWARD 138KV CKT 1	153	0.03459	132.0074	DEWEY - IODINE 138KV CKT 1
FDNS	01ALL	0	15G	ASGI_14_001	TO->FROM	FPL SWITCH - WOODWARD 138KV CKT 1	153	0.03473	131.9369	SPP-SWPS-05
FDNS	01ALL	0	15G	ASGI_14_001	TO->FROM	FPL SWITCH - WOODWARD 138KV CKT 1	153	0.03473	131.8774	FINNEY SWITCHING STATION - Hitchland Interchange 345KV CKT 1
FDNS	01ALL	0	15G	ASGI_14_001	TO->FROM	FPL SWITCH - WOODWARD 138KV CKT 1	153	0.03027	131.7927	CARTER JCT - WOODWARD 69KV CKT 1
FDNS	01ALL	0	15G	ASGI_14_001	TO->FROM	FPL SWITCH - WOODWARD 138KV CKT 1	153	0.03017	131.3743	G11-17T 345.00 - SPEARVILLE 345KV CKT 1
FDNS	01ALL	0	15G	ASGI_14_001	TO->FROM	FPL SWITCH - WOODWARD 138KV CKT 1	153	0.03027	131.2066	CARTER JCT - MOORELAND 69KV CKT 1
FDNS	01ALL	0	15G	ASGI_14_001	TO->FROM	FPL SWITCH - WOODWARD 138KV CKT 1	153	0.03027	131.2066	MOORELAND (MOORELND) 138/69/13.8KV TRANSFORMER CKT 1
FDNS	1	0	15G	ASGI_14_001	TO->FROM	FPL SWITCH - WOODWARD 138KV CKT 1	153	0.03539	130.7938	THISTLE7 345.00 - WOODWARD DISTRICT EHV 345KV CKT 1
FDNS	1	0	15G	ASGI_14_001	TO->FROM	FPL SWITCH - WOODWARD 138KV CKT 1	153	0.03539	130.7938	THISTLE7 345.00 - WOODWARD DISTRICT EHV 345KV CKT 2
FDNS	01ALL	0	15G	ASGI_14_001	TO->FROM	FPL SWITCH - WOODWARD 138KV CKT 1	153	0.04125	130.5652	GRAPEVINE INTERCHANGE - STATELINE INTERCHANGE 230KV CKT 1
FDNS	01ALL	0	15G	ASGI_14_001	TO->FROM	FPL SWITCH - WOODWARD 138KV CKT 1	153	0.03044	130.5607	MINGO - SETAB 345KV CKT 1
FDNS	01ALL	0	15G	ASGI_14_001	TO->FROM	FPL SWITCH - WOODWARD 138KV CKT 1	153	0.04125	130.5174	SPP-SWPS-02A
FDNS	1	0	15G	ASGI_14_001	TO->FROM	FPL SWITCH - WOODWARD 138KV CKT 1	153	0.03264	129.5216	WOODWARD - WOODWARD 69KV CKT 1
FDNS	06ALL	0	15G	ASGI_14_001	TO->FROM	FPL SWITCH - WOODWARD 138KV CKT 1	153	0.03175	128.8896	WOODWARD (WOODWRD2) 138/69/13.2KV TRANSFORMER CKT 1
FDNS	06ASGI_14_001	0	15G	ASGI_14_001	TO->FROM	FPL SWITCH - WOODWARD 138KV CKT 1	153	0.04489	128.6773	SPSCONT-05B
FDNS	6	0	15G	ASGI_14_001	TO->FROM	FPL SWITCH - WOODWARD 138KV CKT 1	153	0.0449	128.635	SPSCONT-05B
FDNS	1	0	15G	ASGI_14_001	TO->FROM	FPL SWITCH - WOODWARD 138KV CKT 1	153	0.04611	128.1137	G11_051T 345.00 - TATONGA7 345.00 345KV CKT 1
FDNS	06ASGI_14_001	0	15G	ASGI_14_001	TO->FROM	FPL SWITCH - WOODWARD 138KV CKT 1	153	0.04489	127.8095	SPSCONT-04
FDNS	6	0	15G	ASGI_14_001	TO->FROM	FPL SWITCH - WOODWARD 138KV CKT 1	153	0.0449	127.7672	SPSCONT-04
FDNS	1	0	15G	ASGI_14_001	TO->FROM	FPL SWITCH - WOODWARD 138KV CKT 1	153	0.03237	126.1503	THISTLE7 345.00 - WICHITA 345KV CKT 1
FDNS	1	0	15G	ASGI_14_001	TO->FROM	FPL SWITCH - WOODWARD 138KV CKT 1	153	0.03237	126.1503	THISTLE7 345.00 - WICHITA 345KV CKT 2
FDNS	01ALL	0	15G	ASGI_14_001	TO->FROM	FPL SWITCH - WOODWARD 138KV CKT 1	153	0.04125	125.7995	STATELINE INTERCHANGE - STLN-DEMARC6 230KV CKT 1
FDNS	01ALL	0	15G	ASGI_14_001	TO->FROM	FPL SWITCH - WOODWARD 138KV CKT 1	153	0.04125	125.7949	SPP-SWPS-02
FDNS	01ALL	0	15G	ASGI_14_001	TO->FROM	FPL SWITCH - WOODWARD 138KV CKT 1	153	0.04125	125.7883	STLN-DEMARC6 - SWEETWATER 230KV CKT 1
FDNS	01ALL	0	15G	ASGI_14_001	TO->FROM	FPL SWITCH - WOODWARD 138KV CKT 1	153	0.05009	125.7321	SPP-SWPS-01
FDNS	01ALL	0	15G	ASGI_14_001	TO->FROM	FPL SWITCH - WOODWARD 138KV CKT 1	153	0.05078	125.2591	OKLAUNION - TUCO INTERCHANGE 345KV CKT 1
FDNS	06ALL	0	15G	ASGI_14_001	TO->FROM	FPL SWITCH - WOODWARD 138KV CKT 1	153	0.04477	124.069	G11_051T 345.00 - WOODWARD DISTRICT EHV 345KV CKT 1
FDNS	1	0	15G	ASGI_14_001	TO->FROM	FPL SWITCH - WOODWARD 138KV CKT 1	153	0.0504	123.8579	LAWTON EASTSIDE - OKLAUNION 345KV CKT 1
FDNS	06ASGI_14_001	0	15G	ASGI_14_001	TO->FROM	FPL SWITCH - WOODWARD 138KV CKT 1	153	0.03183	122.6459	WOODWARD (WOODWRD2) 138/69/13.2KV TRANSFORMER CKT 1
FDNS	6	0	15G	ASGI_14_001	TO->FROM	FPL SWITCH - WOODWARD 138KV CKT 1	153	0.03183	122.617	WOODWARD (WOODWRD2) 138/69/13.2KV TRANSFORMER CKT 1
FDNS	01ALL	0	15G	ASGI_14_001	TO->FROM	FPL SWITCH - WOODWARD 138KV CKT 1	153	0.04659	122.3288	G11_051T 345.00 - WOODWARD DISTRICT EHV 345KV CKT 1
FDNS	1	0	15G	ASGI_14_001	TO->FROM	FPL SWITCH - WOODWARD 138KV CKT 1	153	0.04092	122.1964	ELK CITY 230KV - SWEETWATER 230KV CKT 1
FDNS	1	0	15G	ASGI_14_001	TO->FROM	FPL SWITCH - WOODWARD 138KV CKT 1	153	0.04092	122.1873	ELK CITY 230KV (ELKCTY-6) 230/138/13.8KV TRANSFORMER CKT 1
FDNS	06ALL	0	15G	ASGI_14_001	TO->FROM	FPL SWITCH - WOODWARD 138KV CKT 1	153	0.03363	122.0829	IODINE - WOODWARD EHV 138KV CKT 1
FDNS	1	0	15G	ASGI_14_001	TO->FROM	FPL SWITCH - WOODWARD 138KV CKT 1	153	0.03443	121.5428	GRAPEVINE INTERCHANGE - NICHOLS STATION 230KV CKT 1
FDNS	01ALL	0	15G	ASGI_14_001	TO->FROM	FPL SWITCH - WOODWARD 138KV CKT 1	153	0.03219	121.2634	ELLIS 4 138.00 - RED HILLS WIND 138KV CKT 1
FDNS	06ALL	0	15G	ASGI_14_001	TO->FROM	FPL SWITCH - WOODWARD 138KV CKT 1	153	0.04477	121.2212	SPSCONT-05AX
FDNS	06ALL	0	15G	ASGI_14_001	TO->FROM	FPL SWITCH - WOODWARD 138KV CKT 1	153	0.03985	121.1556	ELK CITY 230KV (ELKCTY-6) 230/138/13.8KV TRANSFORMER CKT 1
FDNS	06ALL	0	15G	ASGI_14_001	TO->FROM	FPL SWITCH - WOODWARD 138KV CKT 1	153	0.03985	121.1538	ELK CITY 230KV - SWEETWATER 230KV CKT 1
FDNS	06ASGI_14_001	0	15G	ASGI_14_001	TO->FROM	FPL SWITCH - WOODWARD 138KV CKT 1	153	0.05379	120.759	DBL-THIS-WWR
FDNS	6	0	15G	ASGI_14_001	TO->FROM	FPL SWITCH - WOODWARD 138KV CKT 1	153	0.05379	120.719	DBL-THIS-WWR
FDNS	06ALL	0	15G	ASGI_14_001	TO->FROM	FPL SWITCH - WOODWARD 138KV CKT 1	153	0.03363	120.2912	DEWEY - IODINE 138KV CKT 1
FDNS	1	0	15G	ASGI_14_001	TO->FROM	FPL SWITCH - WOODWARD 138KV CKT 1	153	0.03447	120.164	FINNEY SWITCHING STATION - HOLCOMB 345KV CKT 1
FDNS	1	0	15G	ASGI_14_001	TO->FROM	FPL SWITCH - WOODWARD 138KV CKT 1	153	0.04092	119.5927	GRAPEVINE INTERCHANGE - STATELINE INTERCHANGE 230KV CKT 1
FDNS	1	0	15G	ASGI_14_001	TO->FROM	FPL SWITCH - WOODWARD 138KV CKT 1	153	0.04092	119.5012	SPP-SWPS-02A
FDNS	01ALL	0	15G	ASGI_14_001	TO->FROM	FPL SWITCH - WOODWARD 138KV CKT 1	153	0.03219	119.4498	ELLIS 4 138.00 - MOREWOOD SW 138KV CKT 1
FDNS	1	0	15G	ASGI_14_001	TO->FROM	FPL SWITCH - WOODWARD 138KV CKT 1	153	0.03447	119.1163	FINNEY SWITCHING STATION - Hitchland Interchange 345KV CKT 1
FDNS	1	0	15G	ASGI_14_001	TO->FROM	FPL SWITCH - WOODWARD 138KV CKT 1	153	0.03447	118.9866	SPP-SWPS-05
FDNS	06ASGI_14_001	0	15G	ASGI_14_001	TO->FROM	FPL SWITCH - WOODWARD 138KV CKT 1	153	0.04489	118.6572	G11_051T 345.00 - TATONGA7 345.00 345KV CKT 1
FDNS	6	0	15G	ASGI_14_001	TO->FROM	FPL SWITCH - WOODWARD 138KV CKT 1	153	0.0449	118.6151	G11_051T 345.00 - TATONGA7 345.00 345KV CKT 1

SOLUTION	GROUP	SCENARIO	SEASON	SOURCE	DIRECTION	MONITORED ELEMENT	RATEB (MVA)	TDF	TC%LOADING (% MVA)	CONTINGENCY
FDNS	1	0	15G	ASGI_14_001	TO->FROM	FPL SWITCH - WOODWARD 138KV CKT 1	153	0.03015	118.5888	MINGO - SETAB 345KV CKT 1
FDNS	06ALL	0	15G	ASGI_14_001	TO->FROM	FPL SWITCH - WOODWARD 138KV CKT 1	153	0.03985	118.2708	SPP-SWPS-02A
FDNS	06ALL	0	15G	ASGI_14_001	TO->FROM	FPL SWITCH - WOODWARD 138KV CKT 1	153	0.03985	117.9659	GRAPEVINE INTERCHANGE - STATELINE INTERCHANGE 230KV CKT 1
FDNS	09ALL	0	15G	ASGI_14_001	TO->FROM	FPL SWITCH - WOODWARD 138KV CKT 1	153	0.04522	117.7	NORTHWEST - TATONGA7 345.00 345KV CKT 1
FDNS	06ALL	0	15G	ASGI_14_001	TO->FROM	FPL SWITCH - WOODWARD 138KV CKT 1	153	0.04934	117.5677	SPSCONT-01
FDNS	06ALL	0	15G	ASGI_14_001	TO->FROM	FPL SWITCH - WOODWARD 138KV CKT 1	153	0.03175	115.9994	WOODWARD - WOODWARD 69KV CKT 1
FDNS	06ASGI_14_001	0	15G	ASGI_14_001	TO->FROM	FPL SWITCH - WOODWARD 138KV CKT 1	153	0.03372	115.4957	IODINE - WOODWARD EHV 138KV CKT 1
FDNS	6	0	15G	ASGI_14_001	TO->FROM	FPL SWITCH - WOODWARD 138KV CKT 1	153	0.03372	115.4621	IODINE - WOODWARD EHV 138KV CKT 1
FDNS	06ALL	0	15G	ASGI_14_001	TO->FROM	FPL SWITCH - WOODWARD 138KV CKT 1	153	0.04934	115.3056	OKLAUNION - TUCO INTERCHANGE 345KV CKT 1
FDNS	06ASGI_14_001	0	15G	ASGI_14_001	TO->FROM	FPL SWITCH - WOODWARD 138KV CKT 1	153	0.04489	115.18	G11_051T 345.00 - WOODWARD DISTRICT EHV 345KV CKT 1
FDNS	6	0	15G	ASGI_14_001	TO->FROM	FPL SWITCH - WOODWARD 138KV CKT 1	153	0.0449	115.1379	G11_051T 345.00 - WOODWARD DISTRICT EHV 345KV CKT 1
FDNS	06ALL	0	15G	ASGI_14_001	TO->FROM	FPL SWITCH - WOODWARD 138KV CKT 1	153	0.04866	115.0508	SPP-SWPS-01
FDNS	9	0	15G	ASGI_14_001	TO->FROM	FPL SWITCH - WOODWARD 138KV CKT 1	153	0.04518	114.9127	NORTHWEST - TATONGA7 345.00 345KV CKT 1
FDNS	1	0	15G	ASGI_14_001	TO->FROM	FPL SWITCH - WOODWARD 138KV CKT 1	153	0.04972	114.6046	SPP-SWPS-01
FDNS	09ALL	0	15G	ASGI_14_001	TO->FROM	FPL SWITCH - WOODWARD 138KV CKT 1	153	0.04522	114.5399	SPSCONT-05B
FDNS	1	0	15G	ASGI_14_001	TO->FROM	FPL SWITCH - WOODWARD 138KV CKT 1	153	0.04611	114.4826	G11_051T 345.00 - WOODWARD DISTRICT EHV 345KV CKT 1
FDNS	1	0	15G	ASGI_14_001	TO->FROM	FPL SWITCH - WOODWARD 138KV CKT 1	153	0.0504	114.2011	OKLAUNION - TUCO INTERCHANGE 345KV CKT 1
FDNS	09ALL	0	15G	ASGI_14_001	TO->FROM	FPL SWITCH - WOODWARD 138KV CKT 1	153	0.04522	113.9834	SPSCONT-04
FDNS	06ASGI_14_001	0	15G	ASGI_14_001	TO->FROM	FPL SWITCH - WOODWARD 138KV CKT 1	153	0.03372	113.5954	DEWEY - IODINE 138KV CKT 1
FDNS	6	0	15G	ASGI_14_001	TO->FROM	FPL SWITCH - WOODWARD 138KV CKT 1	153	0.03372	113.5641	DEWEY - IODINE 138KV CKT 1
FDNS	06ALL	0	15G	ASGI_14_001	TO->FROM	FPL SWITCH - WOODWARD 138KV CKT 1	153	0.03352	113.4921	GRAPEVINE INTERCHANGE - NICHOLS STATION 230KV CKT 1
FDNS	09ALL	0	15G	ASGI_14_001	TO->FROM	FPL SWITCH - WOODWARD 138KV CKT 1	153	0.03204	113.4442	WOODWARD (WOODWRD2) 138/69/13.2KV TRANSFORMER CKT 1
FDNS	06ALL	0	15G	ASGI_14_001	TO->FROM	FPL SWITCH - WOODWARD 138KV CKT 1	153	0.03985	112.8339	STLN-DEMARC6 - SWEETWATER 230KV CKT 1
FDNS	06ALL	0	15G	ASGI_14_001	TO->FROM	FPL SWITCH - WOODWARD 138KV CKT 1	153	0.03985	112.8153	STATELINE INTERCHANGE - STLN-DEMARC6 230KV CKT 1
FDNS	06ALL	0	15G	ASGI_14_001	TO->FROM	FPL SWITCH - WOODWARD 138KV CKT 1	153	0.03985	112.812	SPP-SWPS-02
FDNS	06ASGI_14_001	0	15G	ASGI_14_001	TO->FROM	FPL SWITCH - WOODWARD 138KV CKT 1	153	0.04489	112.0769	SPSCONT-05AX
FDNS	6	0	15G	ASGI_14_001	TO->FROM	FPL SWITCH - WOODWARD 138KV CKT 1	153	0.0449	112.035	SPSCONT-05AX
FDNS	1	0	15G	ASGI_14_001	TO->FROM	FPL SWITCH - WOODWARD 138KV CKT 1	153	0.03191	112.0219	ELLIS 4 138.00 - RED HILLS WIND 138KV CKT 1
FDNS	9	0	15G	ASGI_14_001	TO->FROM	FPL SWITCH - WOODWARD 138KV CKT 1	153	0.04518	111.7518	SPSCONT-05B
FDNS	9	0	15G	ASGI_14_001	TO->FROM	FPL SWITCH - WOODWARD 138KV CKT 1	153	0.03202	111.3642	WOODWARD (WOODWRD2) 138/69/13.2KV TRANSFORMER CKT 1
FDNS	9	0	15G	ASGI_14_001	TO->FROM	FPL SWITCH - WOODWARD 138KV CKT 1	153	0.04518	111.2006	SPSCONT-04
FDNS	09ALL	0	15G	ASGI_14_001	TO->FROM	FPL SWITCH - WOODWARD 138KV CKT 1	153	0.04294	110.494	DBL-THIS-WIC
FDNS	1	0	15G	ASGI_14_001	TO->FROM	FPL SWITCH - WOODWARD 138KV CKT 1	153	0.03191	110.1715	ELLIS 4 138.00 - MOREWOOD SW 138KV CKT 1
FDNS	06ALL	0	15G	ASGI_14_001	TO->FROM	FPL SWITCH - WOODWARD 138KV CKT 1	153	0.03153	109.9437	THISTLE7 345.00 - WICHITA 345KV CKT 1
FDNS	06ALL	0	15G	ASGI_14_001	TO->FROM	FPL SWITCH - WOODWARD 138KV CKT 1	153	0.03153	109.9437	THISTLE7 345.00 - WICHITA 345KV CKT 2
FDNS	06ALL	0	15G	ASGI_14_001	TO->FROM	FPL SWITCH - WOODWARD 138KV CKT 1	153	0.03457	109.6864	THISTLE7 345.00 - WOODWARD DISTRICT EHV 345KV CKT 1
FDNS	06ALL	0	15G	ASGI_14_001	TO->FROM	FPL SWITCH - WOODWARD 138KV CKT 1	153	0.03457	109.6864	THISTLE7 345.00 - WOODWARD DISTRICT EHV 345KV CKT 2
FDNS	06ASGI_14_001	0	15G	ASGI_14_001	TO->FROM	FPL SWITCH - WOODWARD 138KV CKT 1	153	0.03183	109.485	WOODWARD - WOODWARD 69KV CKT 1
FDNS	6	0	15G	ASGI_14_001	TO->FROM	FPL SWITCH - WOODWARD 138KV CKT 1	153	0.03183	109.4564	WOODWARD - WOODWARD 69KV CKT 1
FDNS	9	0	15G	ASGI_14_001	TO->FROM	FPL SWITCH - WOODWARD 138KV CKT 1	153	0.04292	108.1119	DBL-THIS-WIC
FDNS	01ALL	0	15G	ASGI_14_001	TO->FROM	FPL SWITCH - WOODWARD 138KV CKT 1	153	0.03219	107.3607	ELK CITY - RED HILLS WIND 138KV CKT 1
FDNS	06ASGI_14_001	0	15G	ASGI_14_001	TO->FROM	FPL SWITCH - WOODWARD 138KV CKT 1	153	0.03362	106.7124	GRAPEVINE INTERCHANGE - NICHOLS STATION 230KV CKT 1
FDNS	6	0	15G	ASGI_14_001	TO->FROM	FPL SWITCH - WOODWARD 138KV CKT 1	153	0.03362	106.6805	GRAPEVINE INTERCHANGE - NICHOLS STATION 230KV CKT 1
FDNS	06ALL	0	15G	ASGI_14_001	TO->FROM	FPL SWITCH - WOODWARD 138KV CKT 1	153	0.03107	106.6638	ELLIS 4 138.00 - RED HILLS WIND 138KV CKT 1
FDNS	06ALL	0	15G	ASGI_14_001	TO->FROM	FPL SWITCH - WOODWARD 138KV CKT 1	153	0.03364	105.9305	FINNEY SWITCHING STATION - HOLCOMB 345KV CKT 1
FDNS	06ASGI_14_001	0	15G	ASGI_14_001	TO->FROM	FPL SWITCH - WOODWARD 138KV CKT 1	153	0.04949	105.7056	OKLAUNION - TUCO INTERCHANGE 345KV CKT 1
FDNS	6	0	15G	ASGI_14_001	TO->FROM	FPL SWITCH - WOODWARD 138KV CKT 1	153	0.04949	105.668	OKLAUNION - TUCO INTERCHANGE 345KV CKT 1
FDNS	09ALL	0	15G	ASGI_14_001	TO->FROM	FPL SWITCH - WOODWARD 138KV CKT 1	153	0.03395	105.3442	IODINE - WOODWARD EHV 138KV CKT 1
FDNS	09ALL	0	15G	ASGI_14_001	TO->FROM	FPL SWITCH - WOODWARD 138KV CKT 1	153	0.04522	104.9181	G11_051T 345.00 - TATONGA7 345.00 345KV CKT 1
FDNS	06ALL	0	15G	ASGI_14_001	TO->FROM	FPL SWITCH - WOODWARD 138KV CKT 1	153	0.03364	104.8764	SPP-SWPS-05
FDNS	06ALL	0	15G	ASGI_14_001	TO->FROM	FPL SWITCH - WOODWARD 138KV CKT 1	153	0.03364	104.8351	FINNEY SWITCHING STATION - Hitchland Interchange 345KV CKT 1
FDNS	06ALL	0	15G	ASGI_14_001	TO->FROM	FPL SWITCH - WOODWARD 138KV CKT 1	153	0.03107	104.5337	ELLIS 4 138.00 - MOREWOOD SW 138KV CKT 1
FDNS	06ASGI_14_001	0	15G	ASGI_14_001	TO->FROM	FPL SWITCH - WOODWARD 138KV CKT 1	153	0.03162	103.6996	THISTLE7 345.00 - WICHITA 345KV CKT 1
FDNS	06ASGI_14_001	0	15G	ASGI_14_001	TO->FROM	FPL SWITCH - WOODWARD 138KV CKT 1	153	0.03162	103.6996	THISTLE7 345.00 - WICHITA 345KV CKT 2
FDNS	6	0	15G	ASGI_14_001	TO->FROM	FPL SWITCH - WOODWARD 138KV CKT 1	153	0.03163	103.6716	THISTLE7 345.00 - WICHITA 345KV CKT 1
FDNS	6	0	15G	ASGI_14_001	TO->FROM	FPL SWITCH - WOODWARD 138KV CKT 1	153	0.03163	103.6716	THISTLE7 345.00 - WICHITA 345KV CKT 2
FDNS	09ALL	0	15G	ASGI_14_001	TO->FROM	FPL SWITCH - WOODWARD 138KV CKT 1	153	0.03395	103.4561	DEWEY - IODINE 138KV CKT 1
FDNS	9	0	15G	ASGI_14_001	TO->FROM	FPL SWITCH - WOODWARD 138KV CKT 1	153	0.03392	103.0846	IODINE - WOODWARD EHV 138KV CKT 1

SOLUTION	GROUP	SCENARIO	SEASON	SOURCE	DIRECTION	MONITORED ELEMENT	RATEB (MVA)	TDF	TC%LOADING (% MVA)	CONTINGENCY
FDNS	01ALL	0	15G	ASGI_14_001	TO->FROM	FPL SWITCH - WOODWARD 138KV CKT 1	153	0.03556	102.9802	MOREWOOD SW - NINE MILE 138KV CKT 1
FDNS	06ASGI_14_001	0	15G	ASGI_14_001	TO->FROM	FPL SWITCH - WOODWARD 138KV CKT 1	153	0.03468	102.8652	THISTLE7 345.00 - WOODWARD DISTRICT EHV 345KV CKT 1
FDNS	06ASGI_14_001	0	15G	ASGI_14_001	TO->FROM	FPL SWITCH - WOODWARD 138KV CKT 1	153	0.03468	102.8652	THISTLE7 345.00 - WOODWARD DISTRICT EHV 345KV CKT 2
FDNS	6	0	15G	ASGI_14_001	TO->FROM	FPL SWITCH - WOODWARD 138KV CKT 1	153	0.03468	102.8363	THISTLE7 345.00 - WOODWARD DISTRICT EHV 345KV CKT 1
FDNS	6	0	15G	ASGI_14_001	TO->FROM	FPL SWITCH - WOODWARD 138KV CKT 1	153	0.03468	102.8363	THISTLE7 345.00 - WOODWARD DISTRICT EHV 345KV CKT 2
FDNS	01ALL	0	15G	ASGI_14_001	TO->FROM	FPL SWITCH - WOODWARD 138KV CKT 1	153	0.03556	102.32	MOORELAND - NINE MILE 138KV CKT 1
FDNS	1	0	15G	ASGI_14_001	TO->FROM	FPL SWITCH - WOODWARD 138KV CKT 1	153	0.04611	101.6301	SPSCONT-05AX
FDNS	09ALL	0	15G	ASGI_14_001	TO->FROM	FPL SWITCH - WOODWARD 138KV CKT 1	153	0.04522	101.4621	G11_051T 345.00 - WOODWARD DISTRICT EHV 345KV CKT 1
FDNS	9	0	15G	ASGI_14_001	TO->FROM	FPL SWITCH - WOODWARD 138KV CKT 1	153	0.03392	101.1859	DEWEY - IODINE 138KV CKT 1
FDNS	06ASGI_14_001	0	15G	ASGI_14_001	TO->FROM	FPL SWITCH - WOODWARD 138KV CKT 1	153	0.03116	100.5269	ELLIS 4 138.00 - RED HILLS WIND 138KV CKT 1
FDNS	6	0	15G	ASGI_14_001	TO->FROM	FPL SWITCH - WOODWARD 138KV CKT 1	153	0.03116	100.4987	ELLIS 4 138.00 - RED HILLS WIND 138KV CKT 1
FDNS	09ALL	0	15G	ASGI_14_001	TO->FROM	FPL SWITCH - WOODWARD 138KV CKT 1	153	0.03204	100.4235	WOODWARD - WOODWARD 69KV CKT 1
FDNS	06ALL	0	15G	ASGI_14_001	TO->FROM	FPL SWITCH - WOODWARD 138KV CKT 1	153	0.03438	99.9	MOREWOOD SW - NINE MILE 138KV CKT 1
FDNS	01ALL	0	15G	ASGI_14_001	FROM->TO	HARPER - MILAN TAP 138KV CKT 1	143.4	0.03249	143.6463	DBL-THIS-WIC
FDNS	1	0	15G	ASGI_14_001	FROM->TO	HARPER - MILAN TAP 138KV CKT 1	143.4	0.03247	125.8587	DBL-THIS-WIC
FDNS	06ALL	0	15G	ASGI_14_001	FROM->TO	HARPER - MILAN TAP 138KV CKT 1	143.4	0.03197	104.597	DBL-THIS-WIC
FDNS	01ALL	0	15G	ASGI_14_001	TO->FROM	NORTHWEST - TATONGA7 345.00 345KV CKT 1	1195	0.20059	106.2943	DBL-THIS-WWR
FDNS	00ASGI_14_001	0	25SP	ASGI_14_001	FROM->TO	WOLFFORTH INTERCHANGE (WH 7001668) 230/115/13.2KV TRANSFORMER CKT 1	154	0.03542	117.2981	CARLISLE INTERCHANGE - LP-DOUD_TP 3115.00 115KV CKT 1
FDNS	00ASGI_14_001	0	25SP	ASGI_14_001	FROM->TO	WOLFFORTH INTERCHANGE (WH 7001668) 230/115/13.2KV TRANSFORMER CKT 1	154	0.03542	112.1089	CARLISLE INTERCHANGE - LP-DOUD_TP 3115.00 115KV CKT 1
FDNS	00ASGI_14_001	0	25SP	ASGI_14_001	FROM->TO	WOLFFORTH INTERCHANGE (WH 7001668) 230/115/13.2KV TRANSFORMER CKT 1	154	0.03542	102.5568	LP-DOUD_TP 3115.00 - SP-WOLF_TP 3115.00 115KV CKT 1
FDNS	01ALL	0	15G	G13_035	FROM->TO	CLEARWATER - GILL ENERGY CENTER WEST 138KV CKT 1	143	0.03991	127.361	DBL-THIS-WIC
FDNS	01G13_035	0	15G	G13_035	FROM->TO	CLEARWATER - GILL ENERGY CENTER WEST 138KV CKT 1	143	0.03989	110.8765	DBL-THIS-WIC
FDNS	1	0	15G	G13_035	FROM->TO	CLEARWATER - GILL ENERGY CENTER WEST 138KV CKT 1	143	0.03989	109.7233	DBL-THIS-WIC
FDNS	01ALL	0	15G	G13_035	TO->FROM	CLEARWATER - MILAN TAP 138KV CKT 1	110	0.03991	175.6296	DBL-THIS-WIC
FDNS	01G13_035	0	15G	G13_035	TO->FROM	CLEARWATER - MILAN TAP 138KV CKT 1	110	0.03989	153.837	DBL-THIS-WIC
FDNS	1	0	15G	G13_035	TO->FROM	CLEARWATER - MILAN TAP 138KV CKT 1	110	0.03989	152.3121	DBL-THIS-WIC
FDNS	06ALL	0	15G	G13_035	TO->FROM	CLEARWATER - MILAN TAP 138KV CKT 1	110	0.03938	124.4286	DBL-THIS-WIC
FDNS	01ALL	0	15G	G13_035	TO->FROM	FLATRDG3 - THISTLE4 138.00 138KV CKT 1	286	0.0614	109.8689	DBL-THIS-WIC
FDNS	01ALL	0	15G	G13_035	FROM->TO	FPL SWITCH - MOORELAND 138KV CKT 1	287	0.11329	140.5605	NORTHWEST - TATONGA7 345.00 345KV CKT 1
FDNS	01ALL	0	15G	G13_035	FROM->TO	FPL SWITCH - MOORELAND 138KV CKT 1	287	0.09818	140.2435	DBL-THIS-WWR
FDNS	01ALL	0	15G	G13_035	FROM->TO	FPL SWITCH - MOORELAND 138KV CKT 1	287	0.11329	131.8231	SPSCONT-05B
FDNS	01ALL	0	15G	G13_035	FROM->TO	FPL SWITCH - MOORELAND 138KV CKT 1	287	0.11329	130.3129	SPSCONT-04
FDNS	01ALL	0	15G	G13_035	FROM->TO	FPL SWITCH - MOORELAND 138KV CKT 1	287	0.07857	125.5536	DBL-THIS-WIC
FDNS	01G13_035	0	15G	G13_035	FROM->TO	FPL SWITCH - MOORELAND 138KV CKT 1	287	0.11284	121.24	NORTHWEST - TATONGA7 345.00 345KV CKT 1
FDNS	1	0	15G	G13_035	FROM->TO	FPL SWITCH - MOORELAND 138KV CKT 1	287	0.11281	119.7451	NORTHWEST - TATONGA7 345.00 345KV CKT 1
FDNS	01G13_035	0	15G	G13_035	FROM->TO	FPL SWITCH - MOORELAND 138KV CKT 1	287	0.09801	118.2283	DBL-THIS-WWR
FDNS	1	0	15G	G13_035	FROM->TO	FPL SWITCH - MOORELAND 138KV CKT 1	287	0.098	116.6992	DBL-THIS-WWR
FDNS	01G13_035	0	15G	G13_035	FROM->TO	FPL SWITCH - MOORELAND 138KV CKT 1	287	0.11284	113.8646	SPSCONT-05B
FDNS	01G13_035	0	15G	G13_035	FROM->TO	FPL SWITCH - MOORELAND 138KV CKT 1	287	0.11284	112.6861	SPSCONT-04
FDNS	1	0	15G	G13_035	FROM->TO	FPL SWITCH - MOORELAND 138KV CKT 1	287	0.11281	112.3832	SPSCONT-05B
FDNS	01ALL	0	15G	G13_035	FROM->TO	FPL SWITCH - MOORELAND 138KV CKT 1	287	0.07339	112.2285	DBL-HTCH-BVR
FDNS	01ALL	0	15G	G13_035	FROM->TO	FPL SWITCH - MOORELAND 138KV CKT 1	287	0.06798	112.1484	WOODWARD (WOODWRD2) 138/69/13.2KV TRANSFORMER CKT 1
FDNS	1	0	15G	G13_035	FROM->TO	FPL SWITCH - MOORELAND 138KV CKT 1	287	0.11281	111.2231	SPSCONT-04
FDNS	01G13_035	0	15G	G13_035	FROM->TO	FPL SWITCH - MOORELAND 138KV CKT 1	287	0.0783	108.966	DBL-THIS-WIC
FDNS	01ALL	0	15G	G13_035	FROM->TO	FPL SWITCH - MOORELAND 138KV CKT 1	287	0.06334	108.3621	DEWEY - TALOGA 138KV CKT 1
FDNS	01ALL	0	15G	G13_035	FROM->TO	FPL SWITCH - MOORELAND 138KV CKT 1	287	0.07007	108.057	THISTLE7 345.00 - WOODWARD DISTRICT EHV 345KV CKT 1
FDNS	01ALL	0	15G	G13_035	FROM->TO	FPL SWITCH - MOORELAND 138KV CKT 1	287	0.07007	108.057	THISTLE7 345.00 - WOODWARD DISTRICT EHV 345KV CKT 2
FDNS	01ALL	0	15G	G13_035	FROM->TO	FPL SWITCH - MOORELAND 138KV CKT 1	287	0.06053	107.9074	GEN520922 1-SLEEPING BEAR
FDNS	1	0	15G	G13_035	FROM->TO	FPL SWITCH - MOORELAND 138KV CKT 1	287	0.07828	107.89	DBL-THIS-WIC
FDNS	01ALL	0	15G	G13_035	FROM->TO	FPL SWITCH - MOORELAND 138KV CKT 1	287	0.07111	106.8891	IODINE - WOODWARD EHV 138KV CKT 1
FDNS	01ALL	0	15G	G13_035	FROM->TO	FPL SWITCH - MOORELAND 138KV CKT 1	287	0.07339	106.7934	DBL-BVR-G111
FDNS	01ALL	0	15G	G13_035	FROM->TO	FPL SWITCH - MOORELAND 138KV CKT 1	287	0.06515	105.9544	BORDER 7345.00 - TUCO INTERCHANGE 345KV CKT 1
FDNS	01ALL	0	15G	G13_035	FROM->TO	FPL SWITCH - MOORELAND 138KV CKT 1	287	0.07111	105.7994	DEWEY - IODINE 138KV CKT 1
FDNS	01ALL	0	15G	G13_035	FROM->TO	FPL SWITCH - MOORELAND 138KV CKT 1	287	0.06106	105.3327	FT SUPPLY - IODINE 138KV CKT 1
FDNS	01ALL	0	15G	G13_035	FROM->TO	FPL SWITCH - MOORELAND 138KV CKT 1	287	0.07339	105.2634	DBL-G1114-WW
FDNS	01ALL	0	15G	G13_035	FROM->TO	FPL SWITCH - MOORELAND 138KV CKT 1	287	0.06515	104.7097	BORDER 7345.00 - WOODWARD DISTRICT EHV 345KV CKT 1
FDNS	01ALL	0	15G	G13_035	FROM->TO	FPL SWITCH - MOORELAND 138KV CKT 1	287	0.06106	104.5009	IODINE - MOORELAND 138KV CKT 1
FDNS	01ALL	0	15G	G13_035	FROM->TO	FPL SWITCH - MOORELAND 138KV CKT 1	287	0.06053	104.4119	BASE CASE
FDNS	01ALL	0	15G	G13_035	FROM->TO	FPL SWITCH - MOORELAND 138KV CKT 1	287	0.06053	104.4119	BASE CASE
FDNS	01ALL	0	15G	G13_035	FROM->TO	FPL SWITCH - MOORELAND 138KV CKT 1	287	0.06798	104.2123	WOODWARD - WOODWARD 69KV CKT 1
FDNS	01ALL	0	15G	G13_035	FROM->TO	FPL SWITCH - MOORELAND 138KV CKT 1	287	0.06481	104.0165	THISTLE7 345.00 - WICHITA 345KV CKT 1

SOLUTION	GROUP	SCENARIO	SEASON	SOURCE	DIRECTION	MONITORED ELEMENT	RATEB (MVA)	TDF	TC%LOADING (% MVA)	CONTINGENCY
FDNS	01ALL		0 15G	G13_035	FROM->TO	FPL SWITCH - MOORELAND 138KV CKT 1	287	0.06481	104.0165	THISTLE7 345.00 - WICHITA 345KV CKT 2
FDNS	01ALL		0 15G	G13_035	FROM->TO	FPL SWITCH - MOORELAND 138KV CKT 1	287	0.11329	103.8924	G11_051T 345.00 - TATONGA7 345.00 345KV CKT 1
FDNS	01ALL		0 15G	G13_035	FROM->TO	FPL SWITCH - MOORELAND 138KV CKT 1	287	0.06053	101.8128	GEN515389 1-TLGWND-WTG1 0.7000
FDNS	01ALL		0 15G	G13_035	FROM->TO	FPL SWITCH - MOORELAND 138KV CKT 1	287	0.06228	101.4819	POTTER COUNTY INTERCHANGE (WAUK 90343-A) 345/230/13.2KV TRANSFORMER CKT 1
FDNS	01ALL		0 15G	G13_035	FROM->TO	FPL SWITCH - MOORELAND 138KV CKT 1	287	0.06267	101.3834	LAWTON EASTSIDE - OKLAUNION 345KV CKT 1
FDNS	01ALL		0 15G	G13_035	FROM->TO	FPL SWITCH - MOORELAND 138KV CKT 1	287	0.06053	101.2175	GEN514805 1-SOONER UNIT 1
FDNS	01ALL		0 15G	G13_035	FROM->TO	FPL SWITCH - MOORELAND 138KV CKT 1	287	0.06053	100.8698	GEN520443 1-REDHIL-WTG1 12.000
FDNS	01ALL		0 15G	G13_035	FROM->TO	FPL SWITCH - MOORELAND 138KV CKT 1	287	0.06148	100.7515	ELK CITY 230KV - SWEETWATER 230KV CKT 1
FDNS	01ALL		0 15G	G13_035	FROM->TO	FPL SWITCH - MOORELAND 138KV CKT 1	287	0.06148	100.7486	ELK CITY 230KV (ELKCTY-6) 230/138/13.8KV TRANSFORMER CKT 1
FDNS	01ALL		0 15G	G13_035	FROM->TO	FPL SWITCH - MOORELAND 138KV CKT 1	287	0.06228	100.6443	SPP-SWPS-04
FDNS	01ALL		0 15G	G13_035	FROM->TO	FPL SWITCH - MOORELAND 138KV CKT 1	287	0.06228	100.6072	Hitchland Interchange - POTTER COUNTY INTERCHANGE 345KV CKT 1
FDNS	01ALL		0 15G	G13_035	FROM->TO	FPL SWITCH - MOORELAND 138KV CKT 1	287	0.06343	100.3154	FINNEY SWITCHING STATION - HOLCOMB 345KV CKT 1
FDNS	01ALL		0 15G	G13_035	FROM->TO	FPL SWITCH - MOORELAND 138KV CKT 1	287	0.061	100.2312	GRAPEVINE INTERCHANGE - NICHOLS STATION 230KV CKT 1
FDNS	01ALL		0 15G	G13_035	FROM->TO	FPL SWITCH - MOORELAND 138KV CKT 1	287	0.06053	100.0608	GEN514806 1-SOONER UNIT 2
FDNS	01ALL		0 15G	G13_035	FROM->TO	FPL SWITCH - MOORELAND 138KV CKT 1	287	0.06152	99.9	G11-17T 345.00 - POST ROCK 345KV CKT 1
FDNS	01ALL		0 15G	G13_035	FROM->TO	FPL SWITCH - MOORELAND 138KV CKT 1	287	0.06343	99.8	SPP-SWPS-05
FDNS	01ALL		0 15G	G13_035	FROM->TO	FPL SWITCH - MOORELAND 138KV CKT 1	287	0.06032	99.8	MOORELAND - TALOGA 138KV CKT 1
FDNS	01ALL		0 15G	G13_035	FROM->TO	FPL SWITCH - MOORELAND 138KV CKT 1	287	0.06343	99.7	FINNEY SWITCHING STATION - Hitchland Interchange 345KV CKT 1
FDNS	01G13_035		0 15G	G13_035	FROM->TO	FPL SWITCH - MOORELAND 138KV CKT 1	287	0.06767	99.7	WOODWARD (WOODWRD2) 138/69/13.2KV TRANSFORMER CKT 1
FDNS	01ALL		0 15G	G13_035	FROM->TO	FPL SWITCH - MOORELAND 138KV CKT 1	287	0.06228	99.6	SPSCONT-02
FDNS	01ALL		0 15G	G13_035	FROM->TO	FPL SWITCH - MOORELAND 138KV CKT 1	287	0.05978	99.6	WOODRING (WOODRNG2) 345/138/13.8KV TRANSFORMER CKT 1
FDNS	01ALL		0 15G	G13_035	FROM->TO	FPL SWITCH - MOORELAND 138KV CKT 1	287	0.06287	99.5	CARTER JCT - WOODWARD 69KV CKT 1
FDNS	01ALL		0 15G	G13_035	TO->FROM	FPL SWITCH - WOODWARD 138KV CKT 1	153	0.11329	207.9824	NORTHWEST - TATONGA7 345.00 345KV CKT 1
FDNS	01ALL		0 15G	G13_035	TO->FROM	FPL SWITCH - WOODWARD 138KV CKT 1	153	0.09818	202.9925	DBL-THIS-WWR
FDNS	01ALL		0 15G	G13_035	TO->FROM	FPL SWITCH - WOODWARD 138KV CKT 1	153	0.11329	189.6207	SPSCONT-05B
FDNS	01ALL		0 15G	G13_035	TO->FROM	FPL SWITCH - WOODWARD 138KV CKT 1	153	0.11329	186.4538	SPSCONT-04
FDNS	01G13_035		0 15G	G13_035	TO->FROM	FPL SWITCH - WOODWARD 138KV CKT 1	153	0.11284	181.8501	NORTHWEST - TATONGA7 345.00 345KV CKT 1
FDNS	1		0 15G	G13_035	TO->FROM	FPL SWITCH - WOODWARD 138KV CKT 1	153	0.11281	179.2008	NORTHWEST - TATONGA7 345.00 345KV CKT 1
FDNS	01ALL		0 15G	G13_035	TO->FROM	FPL SWITCH - WOODWARD 138KV CKT 1	153	0.07857	176.6014	DBL-THIS-WIC
FDNS	01G13_035		0 15G	G13_035	TO->FROM	FPL SWITCH - WOODWARD 138KV CKT 1	153	0.09801	176.4266	DBL-THIS-WWR
FDNS	1		0 15G	G13_035	TO->FROM	FPL SWITCH - WOODWARD 138KV CKT 1	153	0.098	173.4029	DBL-THIS-WWR
FDNS	01G13_035		0 15G	G13_035	TO->FROM	FPL SWITCH - WOODWARD 138KV CKT 1	153	0.11284	168.9103	SPSCONT-05B
FDNS	01G13_035		0 15G	G13_035	TO->FROM	FPL SWITCH - WOODWARD 138KV CKT 1	153	0.11284	166.7338	SPSCONT-04
FDNS	1		0 15G	G13_035	TO->FROM	FPL SWITCH - WOODWARD 138KV CKT 1	153	0.11281	166.2765	SPSCONT-05B
FDNS	1		0 15G	G13_035	TO->FROM	FPL SWITCH - WOODWARD 138KV CKT 1	153	0.11281	164.1345	SPSCONT-04
FDNS	01G13_035		0 15G	G13_035	TO->FROM	FPL SWITCH - WOODWARD 138KV CKT 1	153	0.0783	159.6823	DBL-THIS-WIC
FDNS	1		0 15G	G13_035	TO->FROM	FPL SWITCH - WOODWARD 138KV CKT 1	153	0.07828	157.7779	DBL-THIS-WIC
FDNS	01ALL		0 15G	G13_035	TO->FROM	FPL SWITCH - WOODWARD 138KV CKT 1	153	0.06798	154.6751	WOODWARD (WOODWRD2) 138/69/13.2KV TRANSFORMER CKT 1
FDNS	01ALL		0 15G	G13_035	TO->FROM	FPL SWITCH - WOODWARD 138KV CKT 1	153	0.07339	153.8595	DBL-HTCH-BVR
FDNS	01ALL		0 15G	G13_035	TO->FROM	FPL SWITCH - WOODWARD 138KV CKT 1	153	0.06053	150.1756	GEN515787 1-OKLA WIND ENERGY CENTER
FDNS	01ALL		0 15G	G13_035	TO->FROM	FPL SWITCH - WOODWARD 138KV CKT 1	153	0.06334	147.4808	DEWEY - TALOGA 138KV CKT 1
FDNS	01ALL		0 15G	G13_035	TO->FROM	FPL SWITCH - WOODWARD 138KV CKT 1	153	0.06053	147.2782	BASE CASE
FDNS	01ALL		0 15G	G13_035	TO->FROM	FPL SWITCH - WOODWARD 138KV CKT 1	153	0.06053	147.2782	BASE CASE
FDNS	01ALL		0 15G	G13_035	TO->FROM	FPL SWITCH - WOODWARD 138KV CKT 1	153	0.06053	146.8954	GEN520922 1-SLEEPING BEAR
FDNS	01ALL		0 15G	G13_035	TO->FROM	FPL SWITCH - WOODWARD 138KV CKT 1	153	0.07111	146.3801	IODINE - WOODWARD EHV 138KV CKT 1
FDNS	01ALL		0 15G	G13_035	TO->FROM	FPL SWITCH - WOODWARD 138KV CKT 1	153	0.07007	146.1523	THISTLE7 345.00 - WOODWARD DISTRICT EHV 345KV CKT 1
FDNS	01ALL		0 15G	G13_035	TO->FROM	FPL SWITCH - WOODWARD 138KV CKT 1	153	0.07007	146.1523	THISTLE7 345.00 - WOODWARD DISTRICT EHV 345KV CKT 2
FDNS	01ALL		0 15G	G13_035	TO->FROM	FPL SWITCH - WOODWARD 138KV CKT 1	153	0.07339	144.5816	DBL-BVR-G111
FDNS	01ALL		0 15G	G13_035	TO->FROM	FPL SWITCH - WOODWARD 138KV CKT 1	153	0.07111	144.516	DEWEY - IODINE 138KV CKT 1
FDNS	01G13_035		0 15G	G13_035	TO->FROM	FPL SWITCH - WOODWARD 138KV CKT 1	153	0.06767	144.0082	WOODWARD (WOODWRD2) 138/69/13.2KV TRANSFORMER CKT 1
FDNS	01ALL		0 15G	G13_035	TO->FROM	FPL SWITCH - WOODWARD 138KV CKT 1	153	0.06515	142.6407	BORDER 7345.00 - TUCO INTERCHANGE 345KV CKT 1
FDNS	1		0 15G	G13_035	TO->FROM	FPL SWITCH - WOODWARD 138KV CKT 1	153	0.06765	142.4312	WOODWARD (WOODWRD2) 138/69/13.2KV TRANSFORMER CKT 1
FDNS	01ALL		0 15G	G13_035	TO->FROM	FPL SWITCH - WOODWARD 138KV CKT 1	153	0.06798	141.9472	WOODWARD - WOODWARD 69KV CKT 1
FDNS	01ALL		0 15G	G13_035	TO->FROM	FPL SWITCH - WOODWARD 138KV CKT 1	153	0.07339	141.546	DBL-G1114-WW
FDNS	01ALL		0 15G	G13_035	TO->FROM	FPL SWITCH - WOODWARD 138KV CKT 1	153	0.06106	141.167	FT SUPPLY - IODINE 138KV CKT 1
FDNS	06ALL		0 15G	G13_035	TO->FROM	FPL SWITCH - WOODWARD 138KV CKT 1	153	0.11147	140.8234	NORTHWEST - TATONGA7 345.00 345KV CKT 1
FDNS	01ALL		0 15G	G13_035	TO->FROM	FPL SWITCH - WOODWARD 138KV CKT 1	153	0.06515	140.5161	BORDER 7345.00 - WOODWARD DISTRICT EHV 345KV CKT 1
FDNS	01ALL		0 15G	G13_035	TO->FROM	FPL SWITCH - WOODWARD 138KV CKT 1	153	0.06106	139.7259	IODINE - MOORELAND 138KV CKT 1
FDNS	01ALL		0 15G	G13_035	TO->FROM	FPL SWITCH - WOODWARD 138KV CKT 1	153	0.06481	139.174	THISTLE7 345.00 - WICHITA 345KV CKT 1
FDNS	01ALL		0 15G	G13_035	TO->FROM	FPL SWITCH - WOODWARD 138KV CKT 1	153	0.06481	139.174	THISTLE7 345.00 - WICHITA 345KV CKT 2
FDNS	01ALL		0 15G	G13_035	TO->FROM	FPL SWITCH - WOODWARD 138KV CKT 1	153	0.11329	139.1361	G11_051T 345.00 - TATONGA7 345.00 345KV CKT 1
FDNS	01G13_035		0 15G	G13_035	TO->FROM	FPL SWITCH - WOODWARD 138KV CKT 1	153	0.07315	137.7635	DBL-HTCH-BVR
FDNS	06ALL		0 15G	G13_035	TO->FROM	FPL SWITCH - WOODWARD 138KV CKT 1	153	0.11147	137.6033	SPSCONT-05B
FDNS	06ALL		0 15G	G13_035	TO->FROM	FPL SWITCH - WOODWARD 138KV CKT 1	153	0.11147	137.0353	SPSCONT-04
FDNS	01ALL		0 15G	G13_035	TO->FROM	FPL SWITCH - WOODWARD 138KV CKT 1	153	0.06053	135.7299	GEN515389 1-TLGWND-WTG1 0.7000

SOLUTION	GROUP	SCENARIO	SEASON	SOURCE	DIRECTION	MONITORED ELEMENT	RATEB (MVA)	TDF	TC%LOADING (% MVA)	CONTINGENCY	
FDNS	01G13_035		0	15G	G13_035	TO->FROM	FPL SWITCH - WOODWARD 138KV CKT 1	153	0.06026	135.6656	BASE CASE
FDNS	01G13_035		0	15G	G13_035	TO->FROM	FPL SWITCH - WOODWARD 138KV CKT 1	153	0.06026	135.6656	BASE CASE
FDNS	1		0	15G	G13_035	TO->FROM	FPL SWITCH - WOODWARD 138KV CKT 1	153	0.07313	135.5149	DBL-HTCH-BVR
FDNS	01G13_035		0	15G	G13_035	TO->FROM	FPL SWITCH - WOODWARD 138KV CKT 1	153	0.07077	135.5102	IODINE - WOODWARD EHV 138KV CKT 1
FDNS	06ALL		0	15G	G13_035	TO->FROM	FPL SWITCH - WOODWARD 138KV CKT 1	153	0.07729	135.3402	DBL-THIS-WIC
FDNS	01G13_035		0	15G	G13_035	TO->FROM	FPL SWITCH - WOODWARD 138KV CKT 1	153	0.06026	135.1762	GEN515787 1-OKLA WIND ENERGY CENTER
FDNS	01ALL		0	15G	G13_035	TO->FROM	FPL SWITCH - WOODWARD 138KV CKT 1	153	0.06228	134.918	POTTER COUNTY INTERCHANGE (WAUK 90343-A) 345/230/13.2KV TRANSFORMER CKT 1
FDNS	01ALL		0	15G	G13_035	TO->FROM	FPL SWITCH - WOODWARD 138KV CKT 1	153	0.06267	134.6434	LAWTON EASTSIDE - OKLAUNION 345KV CKT 1
FDNS	01G13_035		0	15G	G13_035	TO->FROM	FPL SWITCH - WOODWARD 138KV CKT 1	153	0.06307	134.385	DEWEY - TALOGA 138KV CKT 1
FDNS	01ALL		0	15G	G13_035	TO->FROM	FPL SWITCH - WOODWARD 138KV CKT 1	153	0.06053	134.3741	GEN514805 1-SOONER UNIT 1
FDNS	1		0	15G	G13_035	TO->FROM	FPL SWITCH - WOODWARD 138KV CKT 1	153	0.06024	134.0671	BASE CASE
FDNS	1		0	15G	G13_035	TO->FROM	FPL SWITCH - WOODWARD 138KV CKT 1	153	0.06024	134.0671	BASE CASE
FDNS	1		0	15G	G13_035	TO->FROM	FPL SWITCH - WOODWARD 138KV CKT 1	153	0.07075	133.8546	IODINE - WOODWARD EHV 138KV CKT 1
FDNS	1		0	15G	G13_035	TO->FROM	FPL SWITCH - WOODWARD 138KV CKT 1	153	0.06024	133.7532	GEN515787 1-OKLA WIND ENERGY CENTER
FDNS	01ALL		0	15G	G13_035	TO->FROM	FPL SWITCH - WOODWARD 138KV CKT 1	153	0.06053	133.7342	GEN520443 1-REDHIL-WTG1 02.000
FDNS	01G13_035		0	15G	G13_035	TO->FROM	FPL SWITCH - WOODWARD 138KV CKT 1	153	0.07077	133.6598	DEWEY - IODINE 138KV CKT 1
FDNS	01ALL		0	15G	G13_035	TO->FROM	FPL SWITCH - WOODWARD 138KV CKT 1	153	0.06228	133.4798	SPP-SWPS-04
FDNS	01ALL		0	15G	G13_035	TO->FROM	FPL SWITCH - WOODWARD 138KV CKT 1	153	0.06228	133.4174	Hitchland Interchange - POTTER COUNTY INTERCHANGE 345KV CKT 1
FDNS	01ALL		0	15G	G13_035	TO->FROM	FPL SWITCH - WOODWARD 138KV CKT 1	153	0.06148	133.1597	ELK CITY 230KV - SWEETWATER 230KV CKT 1
FDNS	01ALL		0	15G	G13_035	TO->FROM	FPL SWITCH - WOODWARD 138KV CKT 1	153	0.06148	133.1559	ELK CITY 230KV (ELKCTY-6) 230/138/13.8KV TRANSFORMER CKT 1
FDNS	1		0	15G	G13_035	TO->FROM	FPL SWITCH - WOODWARD 138KV CKT 1	153	0.06305	132.9324	DEWEY - TALOGA 138KV CKT 1
FDNS	01ALL		0	15G	G13_035	TO->FROM	FPL SWITCH - WOODWARD 138KV CKT 1	153	0.06343	132.8488	FINNEY SWITCHING STATION - HOLCOMB 345KV CKT 1
FDNS	01G13_035		0	15G	G13_035	TO->FROM	FPL SWITCH - WOODWARD 138KV CKT 1	153	0.06026	132.7333	GEN520922 1-SLEEPING BEAR
FDNS	01ALL		0	15G	G13_035	TO->FROM	FPL SWITCH - WOODWARD 138KV CKT 1	153	0.061	132.7059	GRAPEVINE INTERCHANGE - NICHOLS STATION 230KV CKT 1
FDNS	01ALL		0	15G	G13_035	TO->FROM	FPL SWITCH - WOODWARD 138KV CKT 1	153	0.06053	132.5069	GEN514806 1-SOONER UNIT 2
FDNS	01G13_035		0	15G	G13_035	TO->FROM	FPL SWITCH - WOODWARD 138KV CKT 1	153	0.06982	132.4588	THISTLE7 345.00 - WOODWARD DISTRICT EHV 345KV CKT 1
FDNS	01G13_035		0	15G	G13_035	TO->FROM	FPL SWITCH - WOODWARD 138KV CKT 1	153	0.06982	132.4588	THISTLE7 345.00 - WOODWARD DISTRICT EHV 345KV CKT 2
FDNS	01ALL		0	15G	G13_035	TO->FROM	FPL SWITCH - WOODWARD 138KV CKT 1	153	0.06152	132.18	G11-17T 345.00 - POST ROCK 345KV CKT 1
FDNS	06ALL		0	15G	G13_035	TO->FROM	FPL SWITCH - WOODWARD 138KV CKT 1	153	0.0971	132.0405	DBL-THIS-WWR
FDNS	1		0	15G	G13_035	TO->FROM	FPL SWITCH - WOODWARD 138KV CKT 1	153	0.07075	132.0074	DEWEY - IODINE 138KV CKT 1
FDNS	01ALL		0	15G	G13_035	TO->FROM	FPL SWITCH - WOODWARD 138KV CKT 1	153	0.06343	131.9369	SPP-SWPS-05
FDNS	01ALL		0	15G	G13_035	TO->FROM	FPL SWITCH - WOODWARD 138KV CKT 1	153	0.06343	131.8774	FINNEY SWITCHING STATION - Hitchland Interchange 345KV CKT 1
FDNS	01ALL		0	15G	G13_035	TO->FROM	FPL SWITCH - WOODWARD 138KV CKT 1	153	0.06287	131.7927	CARTER JCT - WOODWARD 69KV CKT 1
FDNS	01ALL		0	15G	G13_035	TO->FROM	FPL SWITCH - WOODWARD 138KV CKT 1	153	0.06032	131.6299	MOORELAND - TALOGA 138KV CKT 1
FDNS	01ALL		0	15G	G13_035	TO->FROM	FPL SWITCH - WOODWARD 138KV CKT 1	153	0.06228	131.5961	SPSCONT-02
FDNS	01ALL		0	15G	G13_035	TO->FROM	FPL SWITCH - WOODWARD 138KV CKT 1	153	0.06152	131.3743	G11-17T 345.00 - SPEARVILLE 345KV CKT 1
FDNS	1		0	15G	G13_035	TO->FROM	FPL SWITCH - WOODWARD 138KV CKT 1	153	0.06024	131.321	GEN520922 1-SLEEPING BEAR
FDNS	01ALL		0	15G	G13_035	TO->FROM	FPL SWITCH - WOODWARD 138KV CKT 1	153	0.06053	131.2535	GEN560773 1-BUFBER-WTG1 0.6000
FDNS	01ALL		0	15G	G13_035	TO->FROM	FPL SWITCH - WOODWARD 138KV CKT 1	153	0.05978	131.2428	WOODRING (WOODRNG2) 345/138/13.8KV TRANSFORMER CKT 1
FDNS	01ALL		0	15G	G13_035	TO->FROM	FPL SWITCH - WOODWARD 138KV CKT 1	153	0.06287	131.2066	CARTER JCT - MOORELAND 69KV CKT 1
FDNS	01ALL		0	15G	G13_035	TO->FROM	FPL SWITCH - WOODWARD 138KV CKT 1	153	0.06287	131.2066	MOORELAND (MOORELND) 138/69/13.8KV TRANSFORMER CKT 1
FDNS	01G13_035		0	15G	G13_035	TO->FROM	FPL SWITCH - WOODWARD 138KV CKT 1	153	0.06767	131.0697	WOODWARD - WOODWARD 69KV CKT 1
FDNS	01ALL		0	15G	G13_035	TO->FROM	FPL SWITCH - WOODWARD 138KV CKT 1	153	0.06053	130.9732	GEN336821 1-GRAND GULF UNIT
FDNS	01ALL		0	15G	G13_035	TO->FROM	FPL SWITCH - WOODWARD 138KV CKT 1	153	0.06053	130.9408	GEN520947 1-HUGO1
FDNS	01ALL		0	15G	G13_035	TO->FROM	FPL SWITCH - WOODWARD 138KV CKT 1	153	0.06053	130.8456	GEN515226 1-MUSKOGEE 6G
FDNS	01ALL		0	15G	G13_035	TO->FROM	FPL SWITCH - WOODWARD 138KV CKT 1	153	0.06053	130.8215	GEN337911 1-ARKANSAS NUCLEAR ONE UNIT #2
FDNS	1		0	15G	G13_035	TO->FROM	FPL SWITCH - WOODWARD 138KV CKT 1	153	0.06981	130.7938	THISTLE7 345.00 - WOODWARD DISTRICT EHV 345KV CKT 1
FDNS	1		0	15G	G13_035	TO->FROM	FPL SWITCH - WOODWARD 138KV CKT 1	153	0.06981	130.7938	THISTLE7 345.00 - WOODWARD DISTRICT EHV 345KV CKT 2
FDNS	01ALL		0	15G	G13_035	TO->FROM	FPL SWITCH - WOODWARD 138KV CKT 1	153	0.06112	130.7669	SPP-MKEC-08
FDNS	01ALL		0	15G	G13_035	TO->FROM	FPL SWITCH - WOODWARD 138KV CKT 1	153	0.06053	130.7585	GEN509416 1-TURK GENERATION
FDNS	01ALL		0	15G	G13_035	TO->FROM	FPL SWITCH - WOODWARD 138KV CKT 1	153	0.06053	130.7498	GEN509403 1-PIRKEY GENERATION
FDNS	01G13_035		0	15G	G13_035	TO->FROM	FPL SWITCH - WOODWARD 138KV CKT 1	153	0.11284	130.683	G11_051T 345.00 - TATONGA7 345.00 345KV CKT 1
FDNS	01G13_035		0	15G	G13_035	TO->FROM	FPL SWITCH - WOODWARD 138KV CKT 1	153	0.06491	130.6755	BORDER 7345.00 - TUCO INTERCHANGE 345KV CKT 1
FDNS	01ALL		0	15G	G13_035	TO->FROM	FPL SWITCH - WOODWARD 138KV CKT 1	153	0.06236	130.6042	CIMARRON - NORTHWEST 345KV CKT 1
FDNS	01ALL		0	15G	G13_035	TO->FROM	FPL SWITCH - WOODWARD 138KV CKT 1	153	0.06053	130.5661	GEN515225 1-MUSKOGEE 5G
FDNS	01ALL		0	15G	G13_035	TO->FROM	FPL SWITCH - WOODWARD 138KV CKT 1	153	0.06053	130.5658	GEN515223 1-MUSKOGEE 4G
FDNS	01ALL		0	15G	G13_035	TO->FROM	FPL SWITCH - WOODWARD 138KV CKT 1	153	0.06148	130.5652	GRAPEVINE INTERCHANGE - STATELINE INTERCHANGE 230KV CKT 1
FDNS	01ALL		0	15G	G13_035	TO->FROM	FPL SWITCH - WOODWARD 138KV CKT 1	153	0.0615	130.5607	MINGO - SETAB 345KV CKT 1
FDNS	01ALL		0	15G	G13_035	TO->FROM	FPL SWITCH - WOODWARD 138KV CKT 1	153	0.06148	130.5174	SPP-SWPS-02A
FDNS	01ALL		0	15G	G13_035	TO->FROM	FPL SWITCH - WOODWARD 138KV CKT 1	153	0.06053	130.5166	GEN336153 1-WATERFORD UNIT#3
FDNS	01ALL		0	15G	G13_035	TO->FROM	FPL SWITCH - WOODWARD 138KV CKT 1	153	0.06053	130.5055	GEN560687 1-G11-007 0.5750
FDNS	01ALL		0	15G	G13_035	TO->FROM	FPL SWITCH - WOODWARD 138KV CKT 1	153	0.06053	130.3708	GEN337910 1-ARKANSAS NUCLEAR ONE UNIT #1
FDNS	01ALL		0	15G	G13_035	TO->FROM	FPL SWITCH - WOODWARD 138KV CKT 1	153	0.06053	130.294	GEN501801 1-DOLET HILLS UNIT1
FDNS	01ALL		0	15G	G13_035	TO->FROM	FPL SWITCH - WOODWARD 138KV CKT 1	153	0.06053	130.2537	GEN509406 1-WELSH #3
FDNS	01ALL		0	15G	G13_035	TO->FROM	FPL SWITCH - WOODWARD 138KV CKT 1	153	0.06053	130.2535	GEN509404 1-WELSH #1

SOLUTION	GROUP	SCENARIO	SEASON	SOURCE	DIRECTION	MONITORED ELEMENT	RATEB (MVA)	TDF	TC%LOADING (% MVA)	CONTINGENCY
FDNS	01ALL	0	15G	G13_035	TO->FROM	FPL SWITCH - WOODWARD 138KV CKT 1	153	0.06098	130.2422	FLATRDG3 - HARPER 138KV CKT 1
FDNS	01ALL	0	15G	G13_035	TO->FROM	FPL SWITCH - WOODWARD 138KV CKT 1	153	0.06053	130.2016	GEN335831 1-RIVERBEND UNIT#1
FDNS	01ALL	0	15G	G13_035	TO->FROM	FPL SWITCH - WOODWARD 138KV CKT 1	153	0.06108	130.1462	FLATRDG3 - THISTLE4 138.00 138KV CKT 1
FDNS	01ALL	0	15G	G13_035	TO->FROM	FPL SWITCH - WOODWARD 138KV CKT 1	153	0.06108	130.146	THISTLE7 345.00 (THISTLE T1) 345/138/13.8KV TRANSFORMER CKT 1
FDNS	01ALL	0	15G	G13_035	TO->FROM	FPL SWITCH - WOODWARD 138KV CKT 1	153	0.06053	130.0528	GEN511839 1-NORTHEASTERN STATION #2
FDNS	1	0	15G	G13_035	TO->FROM	FPL SWITCH - WOODWARD 138KV CKT 1	153	0.06765	129.5216	WOODWARD - WOODWARD 69KV CKT 1
FDNS	01ALL	0	15G	G13_035	TO->FROM	FPL SWITCH - WOODWARD 138KV CKT 1	153	0.05489	129.178	WOODWARD DISTRICT EHV (WWDEHV-T2) 345/138/13.8KV TRANSFORMER CKT 2
FDNS	1	0	15G	G13_035	TO->FROM	FPL SWITCH - WOODWARD 138KV CKT 1	153	0.06489	129.139	BORDER 7345.00 - TUCO INTERCHANGE 345KV CKT 1
FDNS	01ALL	0	15G	G13_035	TO->FROM	FPL SWITCH - WOODWARD 138KV CKT 1	153	0.05516	129.0643	WOODWARD DISTRICT EHV (WWDEHV) 345/138/13.8KV TRANSFORMER CKT 1
FDNS	06ALL	0	15G	G13_035	TO->FROM	FPL SWITCH - WOODWARD 138KV CKT 1	153	0.06675	128.8896	WOODWARD (WOODWRD2) 138/69/13.2KV TRANSFORMER CKT 1
FDNS	6	0	15G	G13_035	TO->FROM	FPL SWITCH - WOODWARD 138KV CKT 1	153	0.1116	128.635	SPSCONT-05B
FDNS	01G13_035	0	15G	G13_035	TO->FROM	FPL SWITCH - WOODWARD 138KV CKT 1	153	0.06491	128.584	BORDER 7345.00 - WOODWARD DISTRICT EHV 345KV CKT 1
FDNS	01G13_035	0	15G	G13_035	TO->FROM	FPL SWITCH - WOODWARD 138KV CKT 1	153	0.07315	128.3736	DBL-BVR-G111
FDNS	1	0	15G	G13_035	TO->FROM	FPL SWITCH - WOODWARD 138KV CKT 1	153	0.11281	128.1137	G11_051T 345.00 - TATONGA7 345.00 345KV CKT 1
FDNS	01ALL	0	15G	G13_035	TO->FROM	FPL SWITCH - WOODWARD 138KV CKT 1	153	0.06053	128.0262	NC1_GEN-NEBRASKA CITY 1
FDNS	6	0	15G	G13_035	TO->FROM	FPL SWITCH - WOODWARD 138KV CKT 1	153	0.1116	127.7672	SPSCONT-04
FDNS	01G13_035	0	15G	G13_035	TO->FROM	FPL SWITCH - WOODWARD 138KV CKT 1	153	0.06078	127.7613	FT SUPPLY - IODINE 138KV CKT 1
FDNS	01G13_035	0	15G	G13_035	TO->FROM	FPL SWITCH - WOODWARD 138KV CKT 1	153	0.06454	127.6615	THISTLE7 345.00 - WICHITA 345KV CKT 1
FDNS	01G13_035	0	15G	G13_035	TO->FROM	FPL SWITCH - WOODWARD 138KV CKT 1	153	0.06454	127.6615	THISTLE7 345.00 - WICHITA 345KV CKT 2
FDNS	1	0	15G	G13_035	TO->FROM	FPL SWITCH - WOODWARD 138KV CKT 1	153	0.06489	127.0517	BORDER 7345.00 - WOODWARD DISTRICT EHV 345KV CKT 1
FDNS	1	0	15G	G13_035	TO->FROM	FPL SWITCH - WOODWARD 138KV CKT 1	153	0.07313	126.5654	DBL-BVR-G111
FDNS	1	0	15G	G13_035	TO->FROM	FPL SWITCH - WOODWARD 138KV CKT 1	153	0.06076	126.338	FT SUPPLY - IODINE 138KV CKT 1
FDNS	01G13_035	0	15G	G13_035	TO->FROM	FPL SWITCH - WOODWARD 138KV CKT 1	153	0.06078	126.2918	IODINE - MOORELAND 138KV CKT 1
FDNS	1	0	15G	G13_035	TO->FROM	FPL SWITCH - WOODWARD 138KV CKT 1	153	0.06452	126.1503	THISTLE7 345.00 - WICHITA 345KV CKT 1
FDNS	1	0	15G	G13_035	TO->FROM	FPL SWITCH - WOODWARD 138KV CKT 1	153	0.06452	126.1503	THISTLE7 345.00 - WICHITA 345KV CKT 2
FDNS	01ALL	0	15G	G13_035	TO->FROM	FPL SWITCH - WOODWARD 138KV CKT 1	153	0.06053	126.1344	WHITEHORSE 69.000 69KV SWITCHED SHUNT
FDNSLock	01ALL	0	15G	G13_035	TO->FROM	FPL SWITCH - WOODWARD 138KV CKT 1	153	0.06053	126.1344	WHITEHORSE 69.000 69KV SWITCHED SHUNT
FDNS	01ALL	0	15G	G13_035	TO->FROM	FPL SWITCH - WOODWARD 138KV CKT 1	153	0.05969	126.0618	DOVER - TWIN LAKES 138KV CKT 1
FDNS	01ALL	0	15G	G13_035	TO->FROM	FPL SWITCH - WOODWARD 138KV CKT 1	153	0.06024	126.0045	BRANTLEY - MORWOOD 138KV CKT 1
FDNS	01ALL	0	15G	G13_035	TO->FROM	FPL SWITCH - WOODWARD 138KV CKT 1	153	0.06024	125.9959	MORWOOD SW - MORWOOD 138KV CKT 1
FDNS	01ALL	0	15G	G13_035	TO->FROM	FPL SWITCH - WOODWARD 138KV CKT 1	153	0.06053	125.9681	GEN539670 4-JUDSON LARGE GENERATOR
FDNS	01ALL	0	15G	G13_035	TO->FROM	FPL SWITCH - WOODWARD 138KV CKT 1	153	0.05969	125.9513	DOVER - DOVER SW 138KV CKT 1
FDNS	01ALL	0	15G	G13_035	TO->FROM	FPL SWITCH - WOODWARD 138KV CKT 1	153	0.06053	125.9069	GEN527163 1-MUSTANG GEN #3 22 KV
FDNS	01ALL	0	15G	G13_035	TO->FROM	FPL SWITCH - WOODWARD 138KV CKT 1	153	0.06057	125.9057	CRESWELL - MIDLTNT4 138.00 138KV CKT 1
FDNS	01ALL	0	15G	G13_035	TO->FROM	FPL SWITCH - WOODWARD 138KV CKT 1	153	0.06053	125.9002	GEN527901 1-HOBBS PLANT #1 (CT)
FDNS	01ALL	0	15G	G13_035	TO->FROM	FPL SWITCH - WOODWARD 138KV CKT 1	153	0.06053	125.9002	GEN527902 1-HOBBS PLANT #2 (CT)
FDNS	01ALL	0	15G	G13_035	TO->FROM	FPL SWITCH - WOODWARD 138KV CKT 1	153	0.06148	125.7995	STATELINE INTERCHANGE - STLN-DEMARC6 230KV CKT 1
FDNS	01ALL	0	15G	G13_035	TO->FROM	FPL SWITCH - WOODWARD 138KV CKT 1	153	0.06148	125.7949	SPP-SWPS-02
FDNS	01ALL	0	15G	G13_035	TO->FROM	FPL SWITCH - WOODWARD 138KV CKT 1	153	0.06148	125.7883	STLN-DEMARC6 - SWEETWATER 230KV CKT 1
FDNS	01ALL	0	15G	G13_035	TO->FROM	FPL SWITCH - WOODWARD 138KV CKT 1	153	0.0606	125.7424	DELAWARE - NORTHEAST STATION 345KV CKT 1
FDNS	01ALL	0	15G	G13_035	TO->FROM	FPL SWITCH - WOODWARD 138KV CKT 1	153	0.06277	125.7321	SPP-SWPS-01
FDNS	01ALL	0	15G	G13_035	TO->FROM	FPL SWITCH - WOODWARD 138KV CKT 1	153	0.06053	125.638	GEN526331 1-JONES GEN #1 22 KV
FDNS	01ALL	0	15G	G13_035	TO->FROM	FPL SWITCH - WOODWARD 138KV CKT 1	153	0.06053	125.5812	GEN515449 1-CRSRDW11 0.6900
FDNS	01ALL	0	15G	G13_035	TO->FROM	FPL SWITCH - WOODWARD 138KV CKT 1	153	0.0597	125.5713	CLINTON AIR FORCE BASE TAP - HOBART JUNCTION 138KV CKT 1
FDNS	01ALL	0	15G	G13_035	TO->FROM	FPL SWITCH - WOODWARD 138KV CKT 1	153	0.06053	125.5697	GEN640011 2-GERALD GENTLEMAN STATION UNIT 2
FDNS	01ALL	0	15G	G13_035	TO->FROM	FPL SWITCH - WOODWARD 138KV CKT 1	153	0.06028	125.5397	BUFFALO - WEST 69KV CKT 1
FDNS	01ALL	0	15G	G13_035	TO->FROM	FPL SWITCH - WOODWARD 138KV CKT 1	153	0.06053	125.5182	GEN640010 1-GERALD GENTLEMAN STATION UNIT 1
FDNS	01ALL	0	15G	G13_035	TO->FROM	FPL SWITCH - WOODWARD 138KV CKT 1	153	0.06053	125.4694	GEN515450 1-CRSRDW21 0.6900
FDNS	01ALL	0	15G	G13_035	TO->FROM	FPL SWITCH - WOODWARD 138KV CKT 1	153	0.06053	125.4549	GEN635214 4-NEAL UNIT 4
FDNS	01G13_035	0	15G	G13_035	TO->FROM	FPL SWITCH - WOODWARD 138KV CKT 1	153	0.07315	125.4407	DBL-G1114-WW
FDNS	01ALL	0	15G	G13_035	TO->FROM	FPL SWITCH - WOODWARD 138KV CKT 1	153	0.0597	125.3729	CLINTON AIR FORCE BASE TAP - ELK CITY 138KV CKT 1
FDNS	01ALL	0	15G	G13_035	TO->FROM	FPL SWITCH - WOODWARD 138KV CKT 1	153	0.06053	125.2885	GEN527166 1-MUSTANG_6 118.000
FDNS	01ALL	0	15G	G13_035	TO->FROM	FPL SWITCH - WOODWARD 138KV CKT 1	153	0.06053	125.2616	GEN635023 3-WALTER SCOTT UNIT 3
FDNS	01ALL	0	15G	G13_035	TO->FROM	FPL SWITCH - WOODWARD 138KV CKT 1	153	0.06267	125.2591	OKLAUNION - TUCO INTERCHANGE 345KV CKT 1
FDNS	01G13_035	0	15G	G13_035	TO->FROM	FPL SWITCH - WOODWARD 138KV CKT 1	153	0.06232	125.2559	LAWTON EASTSIDE - OKLAUNION 345KV CKT 1
FDNS	01ALL	0	15G	G13_035	TO->FROM	FPL SWITCH - WOODWARD 138KV CKT 1	153	0.05975	125.0908	CLINTON JUNCTION - ELK CITY 138KV CKT 1
FDNS	01ALL	0	15G	G13_035	TO->FROM	FPL SWITCH - WOODWARD 138KV CKT 1	153	0.06053	125.0245	GEN635213 3-NEAL UNIT 3
FDNS	01ALL	0	15G	G13_035	TO->FROM	FPL SWITCH - WOODWARD 138KV CKT 1	153	0.06028	124.9581	BUFBEAR2 - BUFFALO 69KV CKT 1
FDNS	01ALL	0	15G	G13_035	TO->FROM	FPL SWITCH - WOODWARD 138KV CKT 1	153	0.06069	124.9518	RANCHRD7 345.00 - SOONER 345KV CKT 1
FDNS	01ALL	0	15G	G13_035	TO->FROM	FPL SWITCH - WOODWARD 138KV CKT 1	153	0.06069	124.9451	OPENSKY7 345.00 - RANCHRD7 345.00 345KV CKT 1
FDNS	1	0	15G	G13_035	TO->FROM	FPL SWITCH - WOODWARD 138KV CKT 1	153	0.06076	124.8703	IODINE - MOORELAND 138KV CKT 1
FDNS	01ALL	0	15G	G13_035	TO->FROM	FPL SWITCH - WOODWARD 138KV CKT 1	153	0.06015	124.7681	KNOBHILL (KNOBHIL4) 138/69/13.2KV TRANSFORMER CKT 1
FDNS	01ALL	0	15G	G13_035	TO->FROM	FPL SWITCH - WOODWARD 138KV CKT 1	153	0.06015	124.7282	KNOBHILL - NOEL_SW 138.00 138KV CKT 1
FDNS	01G13_035	0	15G	G13_035	TO->FROM	FPL SWITCH - WOODWARD 138KV CKT 1	153	0.06026	124.502	GEN514805 1-SOONER UNIT 1
FDNS	01ALL	0	15G	G13_035	TO->FROM	FPL SWITCH - WOODWARD 138KV CKT 1	153	0.06053	124.4852	GEN527903 1-HOBBS PLANT #3 (ST)

SOLUTION	GROUP	SCENARIO	SEASON	SOURCE	DIRECTION	MONITORED ELEMENT	RATEB (MVA)	TDF	TC%LOADING (% MVA)	CONTINGENCY
FDNS	01ALL	0	15G	G13_035	TO->FROM	FPL SWITCH - WOODWARD 138KV CKT 1	153	0.06053	124.3062	GEN562078 1-G11_051_3 0.6900
FDNS	01ALL	0	15G	G13_035	TO->FROM	FPL SWITCH - WOODWARD 138KV CKT 1	153	0.06053	124.2868	GEN562472 1-G13_035_3 0.6900
FDNS	01ALL	0	15G	G13_035	TO->FROM	FPL SWITCH - WOODWARD 138KV CKT 1	153	0.06053	124.1847	GEN635024 4-WALTER SCOTT UNIT 4
FDNS	01G13_035	0	15G	G13_035	TO->FROM	FPL SWITCH - WOODWARD 138KV CKT 1	153	0.06199	124.1712	POTTER COUNTY INTERCHANGE (WAUK 90343-A) 345/230/13.2KV TRANSFORMER CKT 1
FDNS	01ALL	0	15G	G13_035	TO->FROM	FPL SWITCH - WOODWARD 138KV CKT 1	153	0.05528	124.1164	SAND RDG 138138.00 - WAKITA 138 138.00 138KV CKT 1
FDNS	01ALL	0	15G	G13_035	TO->FROM	FPL SWITCH - WOODWARD 138KV CKT 1	153	0.06069	124.1128	OPENSKY7 345.00 - ROSE HILL 345KV CKT 1
FDNS	01G13_035	0	15G	G13_035	TO->FROM	FPL SWITCH - WOODWARD 138KV CKT 1	153	0.06026	124.0567	GEN515389 1-TLGWND-WTG1 0.7000
FDNS	01G13_035	0	15G	G13_035	TO->FROM	FPL SWITCH - WOODWARD 138KV CKT 1	153	0.06118	123.8899	ELK CITY 230KV - SWEETWATER 230KV CKT 1
FDNS	01G13_035	0	15G	G13_035	TO->FROM	FPL SWITCH - WOODWARD 138KV CKT 1	153	0.06118	123.8805	ELK CITY 230KV (ELKCTY-6) 230/138/13.8KV TRANSFORMER CKT 1
FDNS	01G13_035	0	15G	G13_035	TO->FROM	FPL SWITCH - WOODWARD 138KV CKT 1	153	0.06026	123.8636	GEN520443 1-REDHIL-WTG1 12.000
FDNS	1	0	15G	G13_035	TO->FROM	FPL SWITCH - WOODWARD 138KV CKT 1	153	0.0623	123.8579	LAWTON EASTSIDE - OKLAUNION 345KV CKT 1
FDNS	1	0	15G	G13_035	TO->FROM	FPL SWITCH - WOODWARD 138KV CKT 1	153	0.07313	123.6425	DBL-G1114-WW
FDNS	01ALL	0	15G	G13_035	TO->FROM	FPL SWITCH - WOODWARD 138KV CKT 1	153	0.06053	123.3438	GEN659118 1-LARAMIE RIVER UNIT1
FDNS	1	0	15G	G13_035	TO->FROM	FPL SWITCH - WOODWARD 138KV CKT 1	153	0.06024	123.1069	GEN514805 1-SOONER UNIT 1
FDNS	01ALL	0	15G	G13_035	TO->FROM	FPL SWITCH - WOODWARD 138KV CKT 1	153	0.06053	122.9399	GEN523971 1-HARRINGTON GEN #1 24 KV
FDNS	01ALL	0	15G	G13_035	TO->FROM	FPL SWITCH - WOODWARD 138KV CKT 1	153	0.06053	122.9398	GEN523973 1-HARRINGTON GEN #3 24 KV
FDNS	01ALL	0	15G	G13_035	TO->FROM	FPL SWITCH - WOODWARD 138KV CKT 1	153	0.06053	122.9395	GEN523972 1-HARRINGTON GEN #2 24 KV
FDNS	01G13_035	0	15G	G13_035	TO->FROM	FPL SWITCH - WOODWARD 138KV CKT 1	153	0.06071	122.9391	GRAPEVINE INTERCHANGE - NICHOLS STATION 230KV CKT 1
FDNS	01ALL	0	15G	G13_035	TO->FROM	FPL SWITCH - WOODWARD 138KV CKT 1	153	0.06053	122.9285	GEN531447 1-HOLCOMB GENERATOR
FDNS	01ALL	0	15G	G13_035	TO->FROM	FPL SWITCH - WOODWARD 138KV CKT 1	153	0.06053	122.7892	GEN560648 1-G0721_G1402 0.6900
FDNS	1	0	15G	G13_035	TO->FROM	FPL SWITCH - WOODWARD 138KV CKT 1	153	0.06198	122.7236	POTTER COUNTY INTERCHANGE (WAUK 90343-A) 345/230/13.2KV TRANSFORMER CKT 1
FDNS	01G13_035	0	15G	G13_035	TO->FROM	FPL SWITCH - WOODWARD 138KV CKT 1	153	0.06199	122.7134	SPP-SWPS-04
FDNS	1	0	15G	G13_035	TO->FROM	FPL SWITCH - WOODWARD 138KV CKT 1	153	0.06024	122.6812	GEN515389 1-TLGWND-WTG1 0.7000
FDNS	01G13_035	0	15G	G13_035	TO->FROM	FPL SWITCH - WOODWARD 138KV CKT 1	153	0.06199	122.6466	Hitchland Interchange - POTTER COUNTY INTERCHANGE 345KV CKT 1
FDNS	6	0	15G	G13_035	TO->FROM	FPL SWITCH - WOODWARD 138KV CKT 1	153	0.06684	122.617	WOODWARD (WOODWRD2) 138/69/13.2KV TRANSFORMER CKT 1
FDNS	01G13_035	0	15G	G13_035	TO->FROM	FPL SWITCH - WOODWARD 138KV CKT 1	153	0.06026	122.5603	GEN514806 1-SOONER UNIT 2
FDNS	1	0	15G	G13_035	TO->FROM	FPL SWITCH - WOODWARD 138KV CKT 1	153	0.06024	122.4756	GEN520443 1-REDHIL-WTG1 12.000
FDNS	1	0	15G	G13_035	TO->FROM	FPL SWITCH - WOODWARD 138KV CKT 1	153	0.06116	122.1964	ELK CITY 230KV - SWEETWATER 230KV CKT 1
FDNS	1	0	15G	G13_035	TO->FROM	FPL SWITCH - WOODWARD 138KV CKT 1	153	0.06116	122.1873	ELK CITY 230KV (ELKCTY-6) 230/138/13.8KV TRANSFORMER CKT 1
FDNS	01ALL	0	15G	G13_035	TO->FROM	FPL SWITCH - WOODWARD 138KV CKT 1	153	0.05655	122.0999	SANDY_CN 138138.00 - WAKITA 138 138.00 138KV CKT 1
FDNS	06ALL	0	15G	G13_035	TO->FROM	FPL SWITCH - WOODWARD 138KV CKT 1	153	0.06979	122.0829	IODINE - WOODWARD EHV 138KV CKT 1
FDNS	01G13_035	0	15G	G13_035	TO->FROM	FPL SWITCH - WOODWARD 138KV CKT 1	153	0.05949	121.8706	WOODRING (WOODRNG2) 345/138/13.8KV TRANSFORMER CKT 1
FDNS	01G13_035	0	15G	G13_035	TO->FROM	FPL SWITCH - WOODWARD 138KV CKT 1	153	0.06318	121.6627	FINNEY SWITCHING STATION - HOLCOMB 345KV CKT 1
FDNS	01G13_035	0	15G	G13_035	TO->FROM	FPL SWITCH - WOODWARD 138KV CKT 1	153	0.06126	121.568	G11-17T 345.00 - POST ROCK 345KV CKT 1
FDNS	1	0	15G	G13_035	TO->FROM	FPL SWITCH - WOODWARD 138KV CKT 1	153	0.06069	121.5428	GRAPEVINE INTERCHANGE - NICHOLS STATION 230KV CKT 1
FDNS	1	0	15G	G13_035	TO->FROM	FPL SWITCH - WOODWARD 138KV CKT 1	153	0.06198	121.2695	SPP-SWPS-04
FDNS	01ALL	0	15G	G13_035	TO->FROM	FPL SWITCH - WOODWARD 138KV CKT 1	153	0.05741	121.2634	ELLIS 4 138.00 - RED HILLS WIND 138KV CKT 1
FDNS	1	0	15G	G13_035	TO->FROM	FPL SWITCH - WOODWARD 138KV CKT 1	153	0.06198	121.2022	Hitchland Interchange - POTTER COUNTY INTERCHANGE 345KV CKT 1
FDNS	1	0	15G	G13_035	TO->FROM	FPL SWITCH - WOODWARD 138KV CKT 1	153	0.06024	121.1672	GEN514806 1-SOONER UNIT 2
FDNS	06ALL	0	15G	G13_035	TO->FROM	FPL SWITCH - WOODWARD 138KV CKT 1	153	0.06009	121.1556	ELK CITY 230KV (ELKCTY-6) 230/138/13.8KV TRANSFORMER CKT 1
FDNS	06ALL	0	15G	G13_035	TO->FROM	FPL SWITCH - WOODWARD 138KV CKT 1	153	0.06009	121.1538	ELK CITY 230KV - SWEETWATER 230KV CKT 1
FDNS	01G13_035	0	15G	G13_035	TO->FROM	FPL SWITCH - WOODWARD 138KV CKT 1	153	0.06258	121.0539	CARTER JCT - WOODWARD 69KV CKT 1
FDNS	01G13_035	0	15G	G13_035	TO->FROM	FPL SWITCH - WOODWARD 138KV CKT 1	153	0.06118	120.9918	GRAPEVINE INTERCHANGE - STATELINE INTERCHANGE 230KV CKT 1
FDNS	01G13_035	0	15G	G13_035	TO->FROM	FPL SWITCH - WOODWARD 138KV CKT 1	153	0.06026	120.9809	GEN336821 1-GRAND GULF UNIT
FDNS	01G13_035	0	15G	G13_035	TO->FROM	FPL SWITCH - WOODWARD 138KV CKT 1	153	0.06026	120.95	GEN520947 1-HUGO1
FDNS	01G13_035	0	15G	G13_035	TO->FROM	FPL SWITCH - WOODWARD 138KV CKT 1	153	0.06118	120.8941	SPP-SWPS-02A
FDNS	01G13_035	0	15G	G13_035	TO->FROM	FPL SWITCH - WOODWARD 138KV CKT 1	153	0.06026	120.8469	GEN509416 1-TURK GENERATION
FDNS	01G13_035	0	15G	G13_035	TO->FROM	FPL SWITCH - WOODWARD 138KV CKT 1	153	0.06026	120.8359	GEN337911 1-ARKANSAS NUCLEAR ONE UNIT #2
FDNS	01G13_035	0	15G	G13_035	TO->FROM	FPL SWITCH - WOODWARD 138KV CKT 1	153	0.06199	120.8311	SPSCONT-02
FDNS	01G13_035	0	15G	G13_035	TO->FROM	FPL SWITCH - WOODWARD 138KV CKT 1	153	0.06026	120.8311	GEN515226 1-MUSKOGEE 6G
FDNS	01G13_035	0	15G	G13_035	TO->FROM	FPL SWITCH - WOODWARD 138KV CKT 1	153	0.06026	120.8293	GEN509403 1-PIRKEY GENERATION
FDNS	01ALL	0	15G	G13_035	TO->FROM	FPL SWITCH - WOODWARD 138KV CKT 1	153	0.06111	120.7705	VIOLA 7 345.00 - WICHITA 345KV CKT 1
FDNS	01G13_035	0	15G	G13_035	TO->FROM	FPL SWITCH - WOODWARD 138KV CKT 1	153	0.06126	120.7691	G11-17T 345.00 - SPEARVILLE 345KV CKT 1
FDNS	6	0	15G	G13_035	TO->FROM	FPL SWITCH - WOODWARD 138KV CKT 1	153	0.09731	120.719	DBL-THIS-WWR
FDNS	01G13_035	0	15G	G13_035	TO->FROM	FPL SWITCH - WOODWARD 138KV CKT 1	153	0.06209	120.6833	CIMARRON - NORTHWEST 345KV CKT 1
FDNS	01G13_035	0	15G	G13_035	TO->FROM	FPL SWITCH - WOODWARD 138KV CKT 1	153	0.06318	120.6058	FINNEY SWITCHING STATION - Hitchland Interchange 345KV CKT 1
FDNS	01G13_035	0	15G	G13_035	TO->FROM	FPL SWITCH - WOODWARD 138KV CKT 1	153	0.06006	120.5946	MOORELAND - TALOGA 138KV CKT 1
FDNS	01ALL	0	15G	G13_035	TO->FROM	FPL SWITCH - WOODWARD 138KV CKT 1	153	0.05855	120.5778	EL RENO - ROMAN NOSE 138KV CKT 1
FDNS	01G13_035	0	15G	G13_035	TO->FROM	FPL SWITCH - WOODWARD 138KV CKT 1	153	0.06026	120.5437	GEN515225 1-MUSKOGEE 5G
FDNS	01G13_035	0	15G	G13_035	TO->FROM	FPL SWITCH - WOODWARD 138KV CKT 1	153	0.06026	120.5434	GEN515223 1-MUSKOGEE 4G
FDNS	01G13_035	0	15G	G13_035	TO->FROM	FPL SWITCH - WOODWARD 138KV CKT 1	153	0.06026	120.5247	GEN560773 1-BUFBER-WTG1 0.6000
FDNS	01ALL	0	15G	G13_035	TO->FROM	FPL SWITCH - WOODWARD 138KV CKT 1	153	0.06053	120.5146	GEN515397 1-OSPRT 1 0.6900
FDNS	01G13_035	0	15G	G13_035	TO->FROM	FPL SWITCH - WOODWARD 138KV CKT 1	153	0.06026	120.5101	GEN336153 1-WATERFORD UNIT#3
FDNS	1	0	15G	G13_035	TO->FROM	FPL SWITCH - WOODWARD 138KV CKT 1	153	0.05947	120.5044	WOODRING (WOODRNG2) 345/138/13.8KV TRANSFORMER CKT 1

SOLUTION	GROUP	SCENARIO	SEASON	SOURCE	DIRECTION	MONITORED ELEMENT	RATEB (MVA)	TDF	TC%LOADING (% MVA)	CONTINGENCY
FDNS	01G13_035	0	15G	G13_035	TO->FROM	FPL SWITCH - WOODWARD 138KV CKT 1	153	0.06085	120.4843	SPP-MKEC-08
FDNS	01G13_035	0	15G	G13_035	TO->FROM	FPL SWITCH - WOODWARD 138KV CKT 1	153	0.06318	120.4737	SPP-SWPS-05
FDNS	01G13_035	0	15G	G13_035	TO->FROM	FPL SWITCH - WOODWARD 138KV CKT 1	153	0.06258	120.4707	CARTER JCT - MOORELAND 69KV CKT 1
FDNS	01G13_035	0	15G	G13_035	TO->FROM	FPL SWITCH - WOODWARD 138KV CKT 1	153	0.06258	120.4706	MOORELAND (MOORELND) 138/69/13.8KV TRANSFORMER CKT 1
FDNS	01G13_035	0	15G	G13_035	TO->FROM	FPL SWITCH - WOODWARD 138KV CKT 1	153	0.06026	120.3679	GEN337910 1-ARKANSAS NUCLEAR ONE UNIT #1
FDNS	01G13_035	0	15G	G13_035	TO->FROM	FPL SWITCH - WOODWARD 138KV CKT 1	153	0.06026	120.3035	GEN509406 1-WELSH #3
FDNS	01G13_035	0	15G	G13_035	TO->FROM	FPL SWITCH - WOODWARD 138KV CKT 1	153	0.06026	120.3033	GEN509404 1-WELSH #1
FDNS	01G13_035	0	15G	G13_035	TO->FROM	FPL SWITCH - WOODWARD 138KV CKT 1	153	0.06026	120.2949	GEN501801 1-DOLET HILLS UNIT1
FDNS	06ALL	0	15G	G13_035	TO->FROM	FPL SWITCH - WOODWARD 138KV CKT 1	153	0.06979	120.2912	DEWEY - IODINE 138KV CKT 1
FDNS	01ALL	0	15G	G13_035	TO->FROM	FPL SWITCH - WOODWARD 138KV CKT 1	153	0.05855	120.2215	ROMAN NOSE - SOUTHARD 138KV CKT 1
FDNS	01ALL	0	15G	G13_035	TO->FROM	FPL SWITCH - WOODWARD 138KV CKT 1	153	0.06053	120.1968	GEN560175 1-G0744_G1403 0.6900
FDNS	01G13_035	0	15G	G13_035	TO->FROM	FPL SWITCH - WOODWARD 138KV CKT 1	153	0.06026	120.1836	GEN335831 1-RIVERBEND UNIT#1
FDNS	1	0	15G	G13_035	TO->FROM	FPL SWITCH - WOODWARD 138KV CKT 1	153	0.06317	120.164	FINNEY SWITCHING STATION - HOLCOMB 345KV CKT 1
FDNS	1	0	15G	G13_035	TO->FROM	FPL SWITCH - WOODWARD 138KV CKT 1	153	0.06124	120.1378	G11-17T 345.00 - POST ROCK 345KV CKT 1
FDNS	01G13_035	0	15G	G13_035	TO->FROM	FPL SWITCH - WOODWARD 138KV CKT 1	153	0.06026	120.0692	GEN511839 1-NORTHEASTERN STATION #2
FDNS	01G13_035	0	15G	G13_035	TO->FROM	FPL SWITCH - WOODWARD 138KV CKT 1	153	0.06026	120.0621	GEN511840 1-NORTHEASTERN STATION #3
FDNS	01G13_035	0	15G	G13_035	TO->FROM	FPL SWITCH - WOODWARD 138KV CKT 1	153	0.0607	120.0493	FLATRDG3 - HARPER 138KV CKT 1
FDNS	01G13_035	0	15G	G13_035	TO->FROM	FPL SWITCH - WOODWARD 138KV CKT 1	153	0.06026	120.0288	GEN509394 1-FLINT CREEK
FDNS	01G13_035	0	15G	G13_035	TO->FROM	FPL SWITCH - WOODWARD 138KV CKT 1	153	0.06026	120.0175	GEN511841 1-NORTHEASTERN STATION #4
FDNS	01G13_035	0	15G	G13_035	TO->FROM	FPL SWITCH - WOODWARD 138KV CKT 1	153	0.06124	120.0126	MINGO - SETAB 345KV CKT 1
FDNS	01G13_035	0	15G	G13_035	TO->FROM	FPL SWITCH - WOODWARD 138KV CKT 1	153	0.06026	119.9916	GEN560687 1-G11-007 0.5750
FDNS	01G13_035	0	15G	G13_035	TO->FROM	FPL SWITCH - WOODWARD 138KV CKT 1	153	0.06026	119.9244	GEN512688 2-GRDA1 GSU2 22
FDNS	01ALL	0	15G	G13_035	TO->FROM	FPL SWITCH - WOODWARD 138KV CKT 1	153	0.06053	119.8496	GEN525561 1-TOLK GEN #1 24 KV
FDNS	01ALL	0	15G	G13_035	TO->FROM	FPL SWITCH - WOODWARD 138KV CKT 1	153	0.05401	119.6839	WOODWARD - WOODWARD EHV 138KV CKT 1
FDNS	1	0	15G	G13_035	TO->FROM	FPL SWITCH - WOODWARD 138KV CKT 1	153	0.06256	119.6137	CARTER JCT - WOODWARD 69KV CKT 1
FDNS	1	0	15G	G13_035	TO->FROM	FPL SWITCH - WOODWARD 138KV CKT 1	153	0.06116	119.5927	GRAPEVINE INTERCHANGE - STATELINE INTERCHANGE 230KV CKT 1
FDNS	1	0	15G	G13_035	TO->FROM	FPL SWITCH - WOODWARD 138KV CKT 1	153	0.06024	119.5882	GEN336821 1-GRAND GULF UNIT
FDNS	01ALL	0	15G	G13_035	TO->FROM	FPL SWITCH - WOODWARD 138KV CKT 1	153	0.05855	119.5819	DEWEY - SOUTHARD 138KV CKT 1
FDNS	1	0	15G	G13_035	TO->FROM	FPL SWITCH - WOODWARD 138KV CKT 1	153	0.06024	119.5549	GEN520947 1-HUGO1
FDNS	1	0	15G	G13_035	TO->FROM	FPL SWITCH - WOODWARD 138KV CKT 1	153	0.06116	119.5012	SPP-SWPS-02A
FDNS	1	0	15G	G13_035	TO->FROM	FPL SWITCH - WOODWARD 138KV CKT 1	153	0.06024	119.4564	GEN509416 1-TURK GENERATION
FDNS	01ALL	0	15G	G13_035	TO->FROM	FPL SWITCH - WOODWARD 138KV CKT 1	153	0.05741	119.4498	ELLIS 4 138.00 - MOREWOOD SW 138KV CKT 1
FDNS	1	0	15G	G13_035	TO->FROM	FPL SWITCH - WOODWARD 138KV CKT 1	153	0.06024	119.4436	GEN337911 1-ARKANSAS NUCLEAR ONE UNIT #2
FDNS	1	0	15G	G13_035	TO->FROM	FPL SWITCH - WOODWARD 138KV CKT 1	153	0.06024	119.4383	GEN509403 1-PIRKEY GENERATION
FDNS	1	0	15G	G13_035	TO->FROM	FPL SWITCH - WOODWARD 138KV CKT 1	153	0.06024	119.4363	GEN515226 1-MUSKOGEE 6G
FDNS	1	0	15G	G13_035	TO->FROM	FPL SWITCH - WOODWARD 138KV CKT 1	153	0.06198	119.3907	SPOSCONT-02
FDNS	1	0	15G	G13_035	TO->FROM	FPL SWITCH - WOODWARD 138KV CKT 1	153	0.06124	119.3456	G11-17T 345.00 - SPEARVILLE 345KV CKT 1
FDNS	1	0	15G	G13_035	TO->FROM	FPL SWITCH - WOODWARD 138KV CKT 1	153	0.06207	119.2435	CIMARRON - NORTHWEST 345KV CKT 1
FDNS	1	0	15G	G13_035	TO->FROM	FPL SWITCH - WOODWARD 138KV CKT 1	153	0.06004	119.219	MOORELAND - TALOGA 138KV CKT 1
FDNS	1	0	15G	G13_035	TO->FROM	FPL SWITCH - WOODWARD 138KV CKT 1	153	0.06024	119.1494	GEN515225 1-MUSKOGEE 5G
FDNS	1	0	15G	G13_035	TO->FROM	FPL SWITCH - WOODWARD 138KV CKT 1	153	0.06024	119.1491	GEN515223 1-MUSKOGEE 4G
FDNS	1	0	15G	G13_035	TO->FROM	FPL SWITCH - WOODWARD 138KV CKT 1	153	0.06024	119.131	GEN560773 1-BUFBER-WTG1 0.6000
FDNS	1	0	15G	G13_035	TO->FROM	FPL SWITCH - WOODWARD 138KV CKT 1	153	0.06024	119.1179	GEN336153 1-WATERFORD UNIT#3
FDNS	1	0	15G	G13_035	TO->FROM	FPL SWITCH - WOODWARD 138KV CKT 1	153	0.06317	119.1163	FINNEY SWITCHING STATION - Hitchland Interchange 345KV CKT 1
FDNS	1	0	15G	G13_035	TO->FROM	FPL SWITCH - WOODWARD 138KV CKT 1	153	0.06083	119.0749	SPP-MKEC-08
FDNS	01ALL	0	15G	G13_035	TO->FROM	FPL SWITCH - WOODWARD 138KV CKT 1	153	0.06053	119.0653	GEN560222 1-G07-62-2 0.6900
FDNS	01ALL	0	15G	G13_035	TO->FROM	FPL SWITCH - WOODWARD 138KV CKT 1	153	0.06053	119.0653	GEN560223 1-G07-62-3 0.6900
FDNS	01ALL	0	15G	G13_035	TO->FROM	FPL SWITCH - WOODWARD 138KV CKT 1	153	0.06053	119.0653	GEN560224 1-G07-62-4 0.6900
FDNS	01ALL	0	15G	G13_035	TO->FROM	FPL SWITCH - WOODWARD 138KV CKT 1	153	0.06053	119.0652	GEN560221 1-G07-62-1 0.6900
FDNS	1	0	15G	G13_035	TO->FROM	FPL SWITCH - WOODWARD 138KV CKT 1	153	0.06256	119.032	CARTER JCT - MOORELAND 69KV CKT 1
FDNS	1	0	15G	G13_035	TO->FROM	FPL SWITCH - WOODWARD 138KV CKT 1	153	0.06256	119.0318	MOORELAND (MOORELND) 138/69/13.8KV TRANSFORMER CKT 1
FDNS	1	0	15G	G13_035	TO->FROM	FPL SWITCH - WOODWARD 138KV CKT 1	153	0.06317	118.9886	SPP-SWPS-05
FDNS	1	0	15G	G13_035	TO->FROM	FPL SWITCH - WOODWARD 138KV CKT 1	153	0.06024	118.9759	GEN337910 1-ARKANSAS NUCLEAR ONE UNIT #1
FDNS	1	0	15G	G13_035	TO->FROM	FPL SWITCH - WOODWARD 138KV CKT 1	153	0.06024	118.9129	GEN509406 1-WELSH #3
FDNS	1	0	15G	G13_035	TO->FROM	FPL SWITCH - WOODWARD 138KV CKT 1	153	0.06024	118.9127	GEN509404 1-WELSH #1
FDNS	1	0	15G	G13_035	TO->FROM	FPL SWITCH - WOODWARD 138KV CKT 1	153	0.06024	118.9028	GEN501801 1-DOLET HILLS UNIT1
FDNS	1	0	15G	G13_035	TO->FROM	FPL SWITCH - WOODWARD 138KV CKT 1	153	0.06024	118.7916	GEN335831 1-RIVERBEND UNIT#1
FDNS	1	0	15G	G13_035	TO->FROM	FPL SWITCH - WOODWARD 138KV CKT 1	153	0.06024	118.6793	GEN511839 1-NORTHEASTERN STATION #2
FDNS	1	0	15G	G13_035	TO->FROM	FPL SWITCH - WOODWARD 138KV CKT 1	153	0.06024	118.6724	GEN511840 1-NORTHEASTERN STATION #3
FDNS	1	0	15G	G13_035	TO->FROM	FPL SWITCH - WOODWARD 138KV CKT 1	153	0.06068	118.6483	FLATRDG3 - HARPER 138KV CKT 1
FDNS	1	0	15G	G13_035	TO->FROM	FPL SWITCH - WOODWARD 138KV CKT 1	153	0.06024	118.6389	GEN509394 1-FLINT CREEK
FDNS	1	0	15G	G13_035	TO->FROM	FPL SWITCH - WOODWARD 138KV CKT 1	153	0.06024	118.6279	GEN511841 1-NORTHEASTERN STATION #4
FDNS	6	0	15G	G13_035	TO->FROM	FPL SWITCH - WOODWARD 138KV CKT 1	153	0.1116	118.6151	G11_051T 345.00 - TATONGA7 345.00 345KV CKT 1
FDNS	1	0	15G	G13_035	TO->FROM	FPL SWITCH - WOODWARD 138KV CKT 1	153	0.06024	118.6003	GEN560687 1-G11-007 0.5750
FDNS	1	0	15G	G13_035	TO->FROM	FPL SWITCH - WOODWARD 138KV CKT 1	153	0.06122	118.5888	MINGO - SETAB 345KV CKT 1
FDNS	06ALL	0	15G	G13_035	TO->FROM	FPL SWITCH - WOODWARD 138KV CKT 1	153	0.06009	118.2708	SPP-SWPS-02A

SOLUTION	GROUP	SCENARIO	SEASON	SOURCE	DIRECTION	MONITORED ELEMENT	RATEB (MVA)	TDF	TC%LOADING (% MVA)	CONTINGENCY	
FDNS	06ALL		0	15G	G13_035	TO->FROM	FPL SWITCH - WOODWARD 138KV CKT 1	153	0.06009	117.9659	GRAPEVINE INTERCHANGE - STATELINE INTERCHANGE 230KV CKT 1
FDNS	01G13_035		0	15G	G13_035	TO->FROM	FPL SWITCH - WOODWARD 138KV CKT 1	153	0.06026	117.9316	NC1_GEN-NEBRASKA CITY 1
FDNS	09ALL		0	15G	G13_035	TO->FROM	FPL SWITCH - WOODWARD 138KV CKT 1	153	0.11192	117.7	NORTHWEST - TATONGA7 345.00 345KV CKT 1
FDNS	01ALL		0	15G	G13_035	TO->FROM	FPL SWITCH - WOODWARD 138KV CKT 1	153	0.05632	117.6865	DOVER SW - OKEENE 138KV CKT 1
FDNS	06ALL		0	15G	G13_035	TO->FROM	FPL SWITCH - WOODWARD 138KV CKT 1	153	0.05945	117.6269	BASE CASE
FDNS	06ALL		0	15G	G13_035	TO->FROM	FPL SWITCH - WOODWARD 138KV CKT 1	153	0.05945	117.6269	BASE CASE
FDNS	06ALL		0	15G	G13_035	TO->FROM	FPL SWITCH - WOODWARD 138KV CKT 1	153	0.06124	117.5677	SPSCONT-01
FDNS	01ALL		0	15G	G13_035	TO->FROM	FPL SWITCH - WOODWARD 138KV CKT 1	153	0.05655	116.8422	BYRON 138 138.00 - C_CITY 138 138.00 138KV CKT 1
FDNS	1		0	15G	G13_035	TO->FROM	FPL SWITCH - WOODWARD 138KV CKT 1	153	0.06024	116.542	NC1_GEN-NEBRASKA CITY 1
FDNS	01ALL		0	15G	G13_035	TO->FROM	FPL SWITCH - WOODWARD 138KV CKT 1	153	0.05655	116.2393	C_CITY_138 138.00 - NOEL_SW 138.00 138KV CKT 1
FDNS	06ALL		0	15G	G13_035	TO->FROM	FPL SWITCH - WOODWARD 138KV CKT 1	153	0.06675	115.9994	WOODWARD - WOODWARD 69KV CKT 1
FDNS	01G13_035		0	15G	G13_035	TO->FROM	FPL SWITCH - WOODWARD 138KV CKT 1	153	0.06242	115.9974	SPP-SWPS-01
FDNS	01G13_035		0	15G	G13_035	TO->FROM	FPL SWITCH - WOODWARD 138KV CKT 1	153	0.06001	115.9403	BUFFALO - WEST 69KV CKT 1
FDNS	01G13_035		0	15G	G13_035	TO->FROM	FPL SWITCH - WOODWARD 138KV CKT 1	153	0.06026	115.9182	GEN562432 1-G13-030 0.6900
FDNS	01G13_035		0	15G	G13_035	TO->FROM	FPL SWITCH - WOODWARD 138KV CKT 1	153	0.06029	115.8673	CRESWELL - MIDLTNT4 138.00 138KV CKT 1
FDNS	01G13_035		0	15G	G13_035	TO->FROM	FPL SWITCH - WOODWARD 138KV CKT 1	153	0.06026	115.8664	GEN645012 2-NEBRASKA CITY 2
FDNS	01G13_035		0	15G	G13_035	TO->FROM	FPL SWITCH - WOODWARD 138KV CKT 1	153	0.06001	115.7935	FREEDOM - WEST 69KV CKT 1
FDNS	01G13_035		0	15G	G13_035	TO->FROM	FPL SWITCH - WOODWARD 138KV CKT 1	153	0.06026	115.7769	GEN527901 1-HOBBS PLANT #1 (CT)
FDNS	01G13_035		0	15G	G13_035	TO->FROM	FPL SWITCH - WOODWARD 138KV CKT 1	153	0.06026	115.7769	GEN527902 1-HOBBS PLANT #2 (CT)
FDNS	01G13_035		0	15G	G13_035	TO->FROM	FPL SWITCH - WOODWARD 138KV CKT 1	153	0.06026	115.7425	GEN539670 4-JUDSON LARGE GENERATOR
FDNS	01G13_035		0	15G	G13_035	TO->FROM	FPL SWITCH - WOODWARD 138KV CKT 1	153	0.06065	115.7371	CIMARRON - MATHWSN7 345.00 345KV CKT 1
FDNS	01G13_035		0	15G	G13_035	TO->FROM	FPL SWITCH - WOODWARD 138KV CKT 1	153	0.06026	115.6881	GEN527163 1-MUSTANG GEN #3 22 KV
FDNS	01G13_035		0	15G	G13_035	TO->FROM	FPL SWITCH - WOODWARD 138KV CKT 1	153	0.05943	115.6409	CLINTON AIR FORCE BASE TAP - HOBART JUNCTION 138KV CKT 1
FDNS	01G13_035		0	15G	G13_035	TO->FROM	FPL SWITCH - WOODWARD 138KV CKT 1	153	0.06031	115.6335	DELAWARE - NORTHEAST STATION 345KV CKT 1
FDNS	01G13_035		0	15G	G13_035	TO->FROM	FPL SWITCH - WOODWARD 138KV CKT 1	153	0.06232	115.5889	OKLAUNION - TUCO INTERCHANGE 345KV CKT 1
FDNS	01ALL		0	15G	G13_035	TO->FROM	FPL SWITCH - WOODWARD 138KV CKT 1	153	0.06053	115.4956	GEN515365 1-CENT 21 0.7000
FDNS	01G13_035		0	15G	G13_035	TO->FROM	FPL SWITCH - WOODWARD 138KV CKT 1	153	0.06026	115.489	GEN526331 1-JONES GEN #1 22 KV
FDNS	6		0	15G	G13_035	TO->FROM	FPL SWITCH - WOODWARD 138KV CKT 1	153	0.06988	115.4621	IODINE - WOODWARD EHV 138KV CKT 1
FDNS	01G13_035		0	15G	G13_035	TO->FROM	FPL SWITCH - WOODWARD 138KV CKT 1	153	0.05943	115.4404	CLINTON AIR FORCE BASE TAP - ELK CITY 138KV CKT 1
FDNS	01G13_035		0	15G	G13_035	TO->FROM	FPL SWITCH - WOODWARD 138KV CKT 1	153	0.06001	115.4352	BUFBEAR2 - BUFFALO 69KV CKT 1
FDNS	01G13_035		0	15G	G13_035	TO->FROM	FPL SWITCH - WOODWARD 138KV CKT 1	153	0.06026	115.3898	GEN640011 2-GERALD GENTLEMAN STATION UNIT 2
FDNS	01G13_035		0	15G	G13_035	TO->FROM	FPL SWITCH - WOODWARD 138KV CKT 1	153	0.06026	115.3881	GEN526332 1-JONES GEN #2 21 KV
FDNS	01G13_035		0	15G	G13_035	TO->FROM	FPL SWITCH - WOODWARD 138KV CKT 1	153	0.05988	115.3409	KNOBHILL (KNOBHIL4) 138/69/13.2KV TRANSFORMER CKT 1
FDNS	06ALL		0	15G	G13_035	TO->FROM	FPL SWITCH - WOODWARD 138KV CKT 1	153	0.06124	115.3056	OKLAUNION - TUCO INTERCHANGE 345KV CKT 1
FDNS	01G13_035		0	15G	G13_035	TO->FROM	FPL SWITCH - WOODWARD 138KV CKT 1	153	0.05988	115.3039	KNOBHILL - NOEL_SW 138.00 138KV CKT 1
FDNS	01G13_035		0	15G	G13_035	TO->FROM	FPL SWITCH - WOODWARD 138KV CKT 1	153	0.06037	115.2741	OPENSKY7 345.00 - RANCHR7 345.00 345KV CKT 1
FDNS	01G13_035		0	15G	G13_035	TO->FROM	FPL SWITCH - WOODWARD 138KV CKT 1	153	0.06037	115.2733	RANCHR7 345.00 - SOONER 345KV CKT 1
FDNS	01G13_035		0	15G	G13_035	TO->FROM	FPL SWITCH - WOODWARD 138KV CKT 1	153	0.06026	115.2698	GEN635214 4-NEAL UNIT 4
FDNS	01G13_035		0	15G	G13_035	TO->FROM	FPL SWITCH - WOODWARD 138KV CKT 1	153	0.06026	115.2073	GEN640010 1-GERALD GENTLEMAN STATION UNIT 1
FDNS	01G13_035		0	15G	G13_035	TO->FROM	FPL SWITCH - WOODWARD 138KV CKT 1	153	0.06026	115.152	GEN527166 1-MUSTANG_6 118.000
FDNS	01G13_035		0	15G	G13_035	TO->FROM	FPL SWITCH - WOODWARD 138KV CKT 1	153	0.05628	115.1325	SANDY_CN_138138.00 - WAKITA 138 138.00 138KV CKT 1
FDNS	01G13_035		0	15G	G13_035	TO->FROM	FPL SWITCH - WOODWARD 138KV CKT 1	153	0.05948	115.1244	CLINTON JUNCTION - ELK CITY 138KV CKT 1
FDNS	01G13_035		0	15G	G13_035	TO->FROM	FPL SWITCH - WOODWARD 138KV CKT 1	153	0.06026	115.0559	GEN635023 3-WALTER SCOTT UNIT 3
FDNS	06ALL		0	15G	G13_035	TO->FROM	FPL SWITCH - WOODWARD 138KV CKT 1	153	0.06135	115.0508	SPP-SWPS-01
FDNS	9		0	15G	G13_035	TO->FROM	FPL SWITCH - WOODWARD 138KV CKT 1	153	0.11188	114.9127	NORTHWEST - TATONGA7 345.00 345KV CKT 1
FDNS	01G13_035		0	15G	G13_035	TO->FROM	FPL SWITCH - WOODWARD 138KV CKT 1	153	0.06026	114.8146	GEN635213 3-NEAL UNIT 3
FDNS	01ALL		0	15G	G13_035	TO->FROM	FPL SWITCH - WOODWARD 138KV CKT 1	153	0.06053	114.8087	GEN515393 1-OGEWINDZG
FDNS	1		0	15G	G13_035	TO->FROM	FPL SWITCH - WOODWARD 138KV CKT 1	153	0.0624	114.6046	SPP-SWPS-01
FDNS	09ALL		0	15G	G13_035	TO->FROM	FPL SWITCH - WOODWARD 138KV CKT 1	153	0.11192	114.5399	SPSCONT-05B
FDNS	1		0	15G	G13_035	TO->FROM	FPL SWITCH - WOODWARD 138KV CKT 1	153	0.06027	114.4835	CRESWELL - MIDLTNT4 138.00 138KV CKT 1
FDNS	1		0	15G	G13_035	TO->FROM	FPL SWITCH - WOODWARD 138KV CKT 1	153	0.06024	114.4715	GEN645012 2-NEBRASKA CITY 2
FDNS	1		0	15G	G13_035	TO->FROM	FPL SWITCH - WOODWARD 138KV CKT 1	153	0.05999	114.4099	FREEDOM - WEST 69KV CKT 1
FDNS	01G13_035		0	15G	G13_035	TO->FROM	FPL SWITCH - WOODWARD 138KV CKT 1	153	0.06037	114.3786	OPENSKY7 345.00 - ROSE HILL 345KV CKT 1
FDNS	1		0	15G	G13_035	TO->FROM	FPL SWITCH - WOODWARD 138KV CKT 1	153	0.06024	114.3499	GEN539670 4-JUDSON LARGE GENERATOR
FDNS	1		0	15G	G13_035	TO->FROM	FPL SWITCH - WOODWARD 138KV CKT 1	153	0.06063	114.3227	CIMARRON - MATHWSN7 345.00 345KV CKT 1
FDNS	1		0	15G	G13_035	TO->FROM	FPL SWITCH - WOODWARD 138KV CKT 1	153	0.05941	114.2655	CLINTON AIR FORCE BASE TAP - HOBART JUNCTION 138KV CKT 1
FDNS	1		0	15G	G13_035	TO->FROM	FPL SWITCH - WOODWARD 138KV CKT 1	153	0.0603	114.2495	DELAWARE - NORTHEAST STATION 345KV CKT 1
FDNS	1		0	15G	G13_035	TO->FROM	FPL SWITCH - WOODWARD 138KV CKT 1	153	0.0623	114.2011	OKLAUNION - TUCO INTERCHANGE 345KV CKT 1
FDNS	1		0	15G	G13_035	TO->FROM	FPL SWITCH - WOODWARD 138KV CKT 1	153	0.05941	114.0649	CLINTON AIR FORCE BASE TAP - ELK CITY 138KV CKT 1
FDNS	1		0	15G	G13_035	TO->FROM	FPL SWITCH - WOODWARD 138KV CKT 1	153	0.05999	114.0541	BUFBEAR2 - BUFFALO 69KV CKT 1
FDNS	1		0	15G	G13_035	TO->FROM	FPL SWITCH - WOODWARD 138KV CKT 1	153	0.06024	114.0016	GEN640011 2-GERALD GENTLEMAN STATION UNIT 2
FDNS	09ALL		0	15G	G13_035	TO->FROM	FPL SWITCH - WOODWARD 138KV CKT 1	153	0.11192	113.9834	SPSCONT-04
FDNS	1		0	15G	G13_035	TO->FROM	FPL SWITCH - WOODWARD 138KV CKT 1	153	0.05986	113.9603	KNOBHILL (KNOBHIL4) 138/69/13.2KV TRANSFORMER CKT 1
FDNS	01G13_035		0	15G	G13_035	TO->FROM	FPL SWITCH - WOODWARD 138KV CKT 1	153	0.06026	113.9393	GEN635024 4-WALTER SCOTT UNIT 4
FDNS	1		0	15G	G13_035	TO->FROM	FPL SWITCH - WOODWARD 138KV CKT 1	153	0.05986	113.9232	KNOBHILL - NOEL_SW 138.00 138KV CKT 1
FDNS	1		0	15G	G13_035	TO->FROM	FPL SWITCH - WOODWARD 138KV CKT 1	153	0.06035	113.9053	OPENSKY7 345.00 - RANCHR7 345.00 345KV CKT 1

SOLUTION	GROUP	SCENARIO	SEASON	SOURCE	DIRECTION	MONITORED ELEMENT	RATEB (MVA)	TDF	TC%LOADING (% MVA)	CONTINGENCY	
FDNS	1		0	15G	G13_035	TO->FROM	FPL SWITCH - WOODWARD 138KV CKT 1	153	0.06035	113.9044	RANCHRD7 345.00 - SOONER 345KV CKT 1
FDNS	1		0	15G	G13_035	TO->FROM	FPL SWITCH - WOODWARD 138KV CKT 1	153	0.06024	113.8829	GEN635214 4-NEAL UNIT 4
FDNS	01ALL		0	15G	G13_035	TO->FROM	FPL SWITCH - WOODWARD 138KV CKT 1	153	0.06053	113.8614	GEN562023 1-G11_020_3 0.6900
FDNS	01ALL		0	15G	G13_035	TO->FROM	FPL SWITCH - WOODWARD 138KV CKT 1	153	0.06053	113.8614	GEN562026 1-G11_019_3 0.6900
FDNS	1		0	15G	G13_035	TO->FROM	FPL SWITCH - WOODWARD 138KV CKT 1	153	0.05626	113.8437	SANDY_CN_138138.00 - WAKITA 138 138.00 138KV CKT 1
FDNS	1		0	15G	G13_035	TO->FROM	FPL SWITCH - WOODWARD 138KV CKT 1	153	0.05946	113.7484	CLINTON JUNCTION - ELK CITY 138KV CKT 1
FDNS	01ALL		0	15G	G13_035	TO->FROM	FPL SWITCH - WOODWARD 138KV CKT 1	153	0.05421	113.707	IMO TAP - MEN TAP 138KV CKT 1
FDNS	1		0	15G	G13_035	TO->FROM	FPL SWITCH - WOODWARD 138KV CKT 1	153	0.06024	113.6694	GEN635023 3-WALTER SCOTT UNIT 3
FDNS	6		0	15G	G13_035	TO->FROM	FPL SWITCH - WOODWARD 138KV CKT 1	153	0.06988	113.5641	DEWEY - IODINE 138KV CKT 1
FDNS	06ALL		0	15G	G13_035	TO->FROM	FPL SWITCH - WOODWARD 138KV CKT 1	153	0.05978	113.4921	GRAPEVINE INTERCHANGE - NICHOLS STATION 230KV CKT 1
FDNS	01G13_035		0	15G	G13_035	TO->FROM	FPL SWITCH - WOODWARD 138KV CKT 1	153	0.06026	113.4523	GEN659118 1-LARAMIE RIVER UNIT1
FDNS	09ALL		0	15G	G13_035	TO->FROM	FPL SWITCH - WOODWARD 138KV CKT 1	153	0.06705	113.4442	WOODWARD (WOODWRD2) 138/69/13.2KV TRANSFORMER CKT 1
FDNS	1		0	15G	G13_035	TO->FROM	FPL SWITCH - WOODWARD 138KV CKT 1	153	0.06024	113.4282	GEN635213 3-NEAL UNIT 3
FDNS	01G13_035		0	15G	G13_035	TO->FROM	FPL SWITCH - WOODWARD 138KV CKT 1	153	0.05715	113.3255	ELLIS 4 138.00 - RED HILLS WIND 138KV CKT 1
FDNS	1		0	15G	G13_035	TO->FROM	FPL SWITCH - WOODWARD 138KV CKT 1	153	0.06024	113.315	GEN527166 1-MUSTANG_6 118.00
FDNS	01G13_035		0	15G	G13_035	TO->FROM	FPL SWITCH - WOODWARD 138KV CKT 1	153	0.06026	113.3076	GEN560648 1-G0721_G1402 0.6900
FDNS	1		0	15G	G13_035	TO->FROM	FPL SWITCH - WOODWARD 138KV CKT 1	153	0.06024	113.0934	GEN562078 1-G11_051_3 0.6900
FDNS	1		0	15G	G13_035	TO->FROM	FPL SWITCH - WOODWARD 138KV CKT 1	153	0.06024	113.0807	GEN562472 1-G13_035_3 0.6900
FDNS	01ALL		0	15G	G13_035	TO->FROM	FPL SWITCH - WOODWARD 138KV CKT 1	153	0.05421	113.0576	CLEOPLT4 138.00 - MEN TAP 138KV CKT 1
FDNS	1		0	15G	G13_035	TO->FROM	FPL SWITCH - WOODWARD 138KV CKT 1	153	0.06035	113.0045	OPENSKY7 345.00 - ROSE HILL 345KV CKT 1
FDNS	06ALL		0	15G	G13_035	TO->FROM	FPL SWITCH - WOODWARD 138KV CKT 1	153	0.06009	112.8339	STLN-DEMARC6 - SWEETWATER 230KV CKT 1
FDNS	06ALL		0	15G	G13_035	TO->FROM	FPL SWITCH - WOODWARD 138KV CKT 1	153	0.06009	112.8153	STATELINE INTERCHANGE - STLN-DEMARC6 230KV CKT 1
FDNS	06ALL		0	15G	G13_035	TO->FROM	FPL SWITCH - WOODWARD 138KV CKT 1	153	0.06009	112.812	SPP-SWPS-02
FDNS	1		0	15G	G13_035	TO->FROM	FPL SWITCH - WOODWARD 138KV CKT 1	153	0.06024	112.554	GEN635024 4-WALTER SCOTT UNIT 4
FDNS	01ALL		0	15G	G13_035	TO->FROM	FPL SWITCH - WOODWARD 138KV CKT 1	153	0.05421	112.5064	CLEO CORNER - CLEOPLT4 138.00 138KV CKT 1
FDNS	1		0	15G	G13_035	TO->FROM	FPL SWITCH - WOODWARD 138KV CKT 1	153	0.06024	112.4838	GEN527903 1-HOBBS PLANT #3 (ST)
FDNS	01G13_035		0	15G	G13_035	TO->FROM	FPL SWITCH - WOODWARD 138KV CKT 1	153	0.06026	112.2982	GEN523971 1-HARRINGTON GEN #1 24 KV
FDNS	01G13_035		0	15G	G13_035	TO->FROM	FPL SWITCH - WOODWARD 138KV CKT 1	153	0.06026	112.2982	GEN523973 1-HARRINGTON GEN #3 24 KV
FDNS	01G13_035		0	15G	G13_035	TO->FROM	FPL SWITCH - WOODWARD 138KV CKT 1	153	0.06026	112.2978	GEN523972 1-HARRINGTON GEN #2 24 KV
FDNS	01G13_035		0	15G	G13_035	TO->FROM	FPL SWITCH - WOODWARD 138KV CKT 1	153	0.06026	112.1156	GEN515397 1-OUSPR1 0.6900
FDNS	1		0	15G	G13_035	TO->FROM	FPL SWITCH - WOODWARD 138KV CKT 1	153	0.05713	112.0219	ELLIS 4 138.00 - RED HILLS WIND 138KV CKT 1
FDNS	01G13_035		0	15G	G13_035	TO->FROM	FPL SWITCH - WOODWARD 138KV CKT 1	153	0.05829	111.9973	EL RENO - ROMAN NOSE 138KV CKT 1
FDNS	01G13_035		0	15G	G13_035	TO->FROM	FPL SWITCH - WOODWARD 138KV CKT 1	153	0.06026	111.9397	GEN531447 1-HOLCOMB GENERATOR
FDNS	1		0	15G	G13_035	TO->FROM	FPL SWITCH - WOODWARD 138KV CKT 1	153	0.06024	111.9267	GEN560648 1-G0721_G1402 0.6900
FDNS	9		0	15G	G13_035	TO->FROM	FPL SWITCH - WOODWARD 138KV CKT 1	153	0.11188	111.7518	SPSCONT-05B
FDNS	01G13_035		0	15G	G13_035	TO->FROM	FPL SWITCH - WOODWARD 138KV CKT 1	153	0.05829	111.6821	ROMAN NOSE - SOUTHARD 138KV CKT 1
FDNS	1		0	15G	G13_035	TO->FROM	FPL SWITCH - WOODWARD 138KV CKT 1	153	0.06024	111.6116	GEN659118 1-LARAMIE RIVER UNIT1
FDNS	01G13_035		0	15G	G13_035	TO->FROM	FPL SWITCH - WOODWARD 138KV CKT 1	153	0.05715	111.4698	ELLIS 4 138.00 - MOREWOOD SW 138KV CKT 1
FDNS	9		0	15G	G13_035	TO->FROM	FPL SWITCH - WOODWARD 138KV CKT 1	153	0.06703	111.3642	WOODWARD (WOODWRD2) 138/69/13.2KV TRANSFORMER CKT 1
FDNS	6		0	15G	G13_035	TO->FROM	FPL SWITCH - WOODWARD 138KV CKT 1	153	0.05952	111.3446	BASE CASE
FDNS	6		0	15G	G13_035	TO->FROM	FPL SWITCH - WOODWARD 138KV CKT 1	153	0.05952	111.3446	BASE CASE
FDNS	01G13_035		0	15G	G13_035	TO->FROM	FPL SWITCH - WOODWARD 138KV CKT 1	153	0.06074	111.2811	VIOLA 7 345.00 - WICHITA 345KV CKT 1
FDNS	01G13_035		0	15G	G13_035	TO->FROM	FPL SWITCH - WOODWARD 138KV CKT 1	153	0.06026	111.2506	GEN560175 1-G0744_G1403 0.6900
FDNS	9		0	15G	G13_035	TO->FROM	FPL SWITCH - WOODWARD 138KV CKT 1	153	0.11188	111.2006	SPSCONT-04
FDNS	01G13_035		0	15G	G13_035	TO->FROM	FPL SWITCH - WOODWARD 138KV CKT 1	153	0.05829	111.0121	DEWEY - SOUTHARD 138KV CKT 1
FDNS	1		0	15G	G13_035	TO->FROM	FPL SWITCH - WOODWARD 138KV CKT 1	153	0.06024	110.9158	GEN523971 1-HARRINGTON GEN #1 24 KV
FDNS	1		0	15G	G13_035	TO->FROM	FPL SWITCH - WOODWARD 138KV CKT 1	153	0.06024	110.9157	GEN523973 1-HARRINGTON GEN #3 24 KV
FDNS	1		0	15G	G13_035	TO->FROM	FPL SWITCH - WOODWARD 138KV CKT 1	153	0.06024	110.9154	GEN523972 1-HARRINGTON GEN #2 24 KV
FDNS	1		0	15G	G13_035	TO->FROM	FPL SWITCH - WOODWARD 138KV CKT 1	153	0.05827	110.6551	EL RENO - ROMAN NOSE 138KV CKT 1
FDNS	1		0	15G	G13_035	TO->FROM	FPL SWITCH - WOODWARD 138KV CKT 1	153	0.06024	110.5331	GEN531447 1-HOLCOMB GENERATOR
FDNS	09ALL		0	15G	G13_035	TO->FROM	FPL SWITCH - WOODWARD 138KV CKT 1	153	0.07773	110.494	DBL-THIS-WIC
FDNS	01G13_035		0	15G	G13_035	TO->FROM	FPL SWITCH - WOODWARD 138KV CKT 1	153	0.06026	110.3515	GEN560221 1-G07-62-1 0.6900
FDNS	01G13_035		0	15G	G13_035	TO->FROM	FPL SWITCH - WOODWARD 138KV CKT 1	153	0.06026	110.3515	GEN560222 1-G07-62-2 0.6900
FDNS	01G13_035		0	15G	G13_035	TO->FROM	FPL SWITCH - WOODWARD 138KV CKT 1	153	0.06026	110.3515	GEN560223 1-G07-62-3 0.6900
FDNS	01G13_035		0	15G	G13_035	TO->FROM	FPL SWITCH - WOODWARD 138KV CKT 1	153	0.06026	110.3515	GEN560224 1-G07-62-4 0.6900
FDNS	1		0	15G	G13_035	TO->FROM	FPL SWITCH - WOODWARD 138KV CKT 1	153	0.05827	110.3402	ROMAN NOSE - SOUTHARD 138KV CKT 1
FDNS	1		0	15G	G13_035	TO->FROM	FPL SWITCH - WOODWARD 138KV CKT 1	153	0.06024	110.2761	GEN515397 1-OUSPR1 0.6900
FDNS	1		0	15G	G13_035	TO->FROM	FPL SWITCH - WOODWARD 138KV CKT 1	153	0.05713	110.1715	ELLIS 4 138.00 - MOREWOOD SW 138KV CKT 1
FDNS	01G13_035		0	15G	G13_035	TO->FROM	FPL SWITCH - WOODWARD 138KV CKT 1	153	0.05628	109.9596	BYRON_138 138.00 - SANDY_CN_138138.00 138KV CKT 1
FDNS	06ALL		0	15G	G13_035	TO->FROM	FPL SWITCH - WOODWARD 138KV CKT 1	153	0.06368	109.9437	THISTLE7 345.00 - WICHITA 345KV CKT 1
FDNS	06ALL		0	15G	G13_035	TO->FROM	FPL SWITCH - WOODWARD 138KV CKT 1	153	0.06368	109.9437	THISTLE7 345.00 - WICHITA 345KV CKT 2
FDNS	1		0	15G	G13_035	TO->FROM	FPL SWITCH - WOODWARD 138KV CKT 1	153	0.06071	109.9291	VIOLA 7 345.00 - WICHITA 345KV CKT 1
FDNS	1		0	15G	G13_035	TO->FROM	FPL SWITCH - WOODWARD 138KV CKT 1	153	0.06024	109.8825	GEN560175 1-G0744_G1403 0.6900
FDNS	01G13_035		0	15G	G13_035	TO->FROM	FPL SWITCH - WOODWARD 138KV CKT 1	153	0.05607	109.8019	DOVER SW - OKEENE 138KV CKT 1
FDNS	06ALL		0	15G	G13_035	TO->FROM	FPL SWITCH - WOODWARD 138KV CKT 1	153	0.06899	109.6864	THISTLE7 345.00 - WOODWARD DISTRICT EHV 345KV CKT 1
FDNS	06ALL		0	15G	G13_035	TO->FROM	FPL SWITCH - WOODWARD 138KV CKT 1	153	0.06899	109.6864	THISTLE7 345.00 - WOODWARD DISTRICT EHV 345KV CKT 2

SOLUTION	GROUP	SCENARIO	SEASON	SOURCE	DIRECTION	MONITORED ELEMENT	RATEB (MVA)	TDF	TC%LOADING (% MVA)	CONTINGENCY
FDNS	06ALL	0	15G	G13_035	TO->FROM	FPL SWITCH - WOODWARD 138KV CKT 1	153	0.06226	109.6852	DEWEY - TALOGA 138KV CKT 1
FDNS	1	0	15G	G13_035	TO->FROM	FPL SWITCH - WOODWARD 138KV CKT 1	153	0.05827	109.6709	DEWEY - SOUTHARD 138KV CKT 1
FDNS	01ALL	0	15G	G13_035	TO->FROM	FPL SWITCH - WOODWARD 138KV CKT 1	153	0.05483	109.665	CEDARDALE - OKEENE 138KV CKT 1
FDNS	06ALL	0	15G	G13_035	TO->FROM	FPL SWITCH - WOODWARD 138KV CKT 1	153	0.05425	109.5789	SAND RDG_138138.00 - WAKITA_138 138.00 138KV CKT 1
FDNS	6	0	15G	G13_035	TO->FROM	FPL SWITCH - WOODWARD 138KV CKT 1	153	0.06684	109.4564	WOODWARD - WOODWARD 69KV CKT 1
FDNS	01G13_035	0	15G	G13_035	TO->FROM	FPL SWITCH - WOODWARD 138KV CKT 1	153	0.06026	109.0783	GEN525561 1-TOLK GEN #1 24 KV
FDNS	01G13_035	0	15G	G13_035	TO->FROM	FPL SWITCH - WOODWARD 138KV CKT 1	153	0.05628	109.024	BYRON_138 138.00 - C_CITY_138 138.00 138KV CKT 1
FDNS	1	0	15G	G13_035	TO->FROM	FPL SWITCH - WOODWARD 138KV CKT 1	153	0.06024	108.9718	GEN560221 1-G07-62-1 0.6900
FDNS	1	0	15G	G13_035	TO->FROM	FPL SWITCH - WOODWARD 138KV CKT 1	153	0.06024	108.9718	GEN560222 1-G07-62-2 0.6900
FDNS	1	0	15G	G13_035	TO->FROM	FPL SWITCH - WOODWARD 138KV CKT 1	153	0.06024	108.9718	GEN560223 1-G07-62-3 0.6900
FDNS	1	0	15G	G13_035	TO->FROM	FPL SWITCH - WOODWARD 138KV CKT 1	153	0.06024	108.9718	GEN560224 1-G07-62-4 0.6900
FDNS	01ALL	0	15G	G13_035	TO->FROM	FPL SWITCH - WOODWARD 138KV CKT 1	153	0.05483	108.8465	CEDARDALE - MOORELAND 138KV CKT 1
FDNS	06ALL	0	15G	G13_035	TO->FROM	FPL SWITCH - WOODWARD 138KV CKT 1	153	0.05945	108.8051	GEN520443 1-REDHIL-WTG1 12.000
FDNS	06ALL	0	15G	G13_035	TO->FROM	FPL SWITCH - WOODWARD 138KV CKT 1	153	0.05945	108.7883	GEN514805 1-SOONER UNIT 1
FDNS	01G13_035	0	15G	G13_035	TO->FROM	FPL SWITCH - WOODWARD 138KV CKT 1	153	0.05376	108.7091	WOODWARD - WOODWARD EHV 138KV CKT 1
FDNS	1	0	15G	G13_035	TO->FROM	FPL SWITCH - WOODWARD 138KV CKT 1	153	0.05626	108.6807	BYRON_138 138.00 - SANDY_CN_138138.00 138KV CKT 1
FDNS	1	0	15G	G13_035	TO->FROM	FPL SWITCH - WOODWARD 138KV CKT 1	153	0.05606	108.5147	DOVER SW - OKEENE 138KV CKT 1
FDNS	01G13_035	0	15G	G13_035	TO->FROM	FPL SWITCH - WOODWARD 138KV CKT 1	153	0.05628	108.418	C_CITY_138 138.00 - NOEL_SW 138.00 138KV CKT 1
FDNS	9	0	15G	G13_035	TO->FROM	FPL SWITCH - WOODWARD 138KV CKT 1	153	0.07772	108.1119	DBL-THIS-WIC
FDNS	1	0	15G	G13_035	TO->FROM	FPL SWITCH - WOODWARD 138KV CKT 1	153	0.05626	107.7492	BYRON_138 138.00 - C_CITY_138 138.00 138KV CKT 1
FDNS	1	0	15G	G13_035	TO->FROM	FPL SWITCH - WOODWARD 138KV CKT 1	153	0.06024	107.6885	GEN525561 1-TOLK GEN #1 24 KV
FDNS	1	0	15G	G13_035	TO->FROM	FPL SWITCH - WOODWARD 138KV CKT 1	153	0.05374	107.4613	WOODWARD - WOODWARD EHV 138KV CKT 1
FDNS	01ALL	0	15G	G13_035	TO->FROM	FPL SWITCH - WOODWARD 138KV CKT 1	153	0.05741	107.3607	ELK CITY - RED HILLS WIND 138KV CKT 1
FDNS	06ALL	0	15G	G13_035	TO->FROM	FPL SWITCH - WOODWARD 138KV CKT 1	153	0.05867	107.3411	WOODRING (WOODRNG2) 345/138/13.8KV TRANSFORMER CKT 1
FDNS	01G13_035	0	15G	G13_035	TO->FROM	FPL SWITCH - WOODWARD 138KV CKT 1	153	0.06026	107.3151	GEN515365 1-CENT 21 0.7000
FDNS	01G13_035	0	15G	G13_035	TO->FROM	FPL SWITCH - WOODWARD 138KV CKT 1	153	0.06026	107.2328	GEN515393 1-OGEWIND2G
FDNS	1	0	15G	G13_035	TO->FROM	FPL SWITCH - WOODWARD 138KV CKT 1	153	0.05626	107.1438	C_CITY_138 138.00 - NOEL_SW 138.00 138KV CKT 1
FDNS	01ALL	0	15G	G13_035	TO->FROM	FPL SWITCH - WOODWARD 138KV CKT 1	153	0.05346	107.0446	CLEO CORNER - GLASS MOUNTAIN 138KV CKT 1
FDNS	01G13_035	0	15G	G13_035	TO->FROM	FPL SWITCH - WOODWARD 138KV CKT 1	153	0.05397	107.0368	IMO TAP - MEN TAP 138KV CKT 1
FDNS	06ALL	0	15G	G13_035	TO->FROM	FPL SWITCH - WOODWARD 138KV CKT 1	153	0.05945	106.7436	GEN514806 1-SOONER UNIT 2
FDNS	6	0	15G	G13_035	TO->FROM	FPL SWITCH - WOODWARD 138KV CKT 1	153	0.05988	106.6805	GRAPEVINE INTERCHANGE - NICHOLS STATION 230KV CKT 1
FDNS	06ALL	0	15G	G13_035	TO->FROM	FPL SWITCH - WOODWARD 138KV CKT 1	153	0.05628	106.6638	ELLIS 4 138.00 - RED HILLS WIND 138KV CKT 1
FDNS	01G13_035	0	15G	G13_035	TO->FROM	FPL SWITCH - WOODWARD 138KV CKT 1	153	0.06026	106.4858	GEN562023 1-G11_020_3 0.6900
FDNS	01G13_035	0	15G	G13_035	TO->FROM	FPL SWITCH - WOODWARD 138KV CKT 1	153	0.06026	106.4858	GEN562026 1-G11_019_3 0.6900
FDNS	06ALL	0	15G	G13_035	TO->FROM	FPL SWITCH - WOODWARD 138KV CKT 1	153	0.05945	106.433	GEN515787 1-OKLA WIND ENERGY CENTER
FDNS	01G13_035	0	15G	G13_035	TO->FROM	FPL SWITCH - WOODWARD 138KV CKT 1	153	0.05397	106.401	CLEOPLT4 138.00 - MEN TAP 138KV CKT 1
FDNS	01ALL	0	15G	G13_035	TO->FROM	FPL SWITCH - WOODWARD 138KV CKT 1	153	0.05346	106.1856	GLASS MOUNTAIN - MOORELAND 138KV CKT 1
FDNS	06ALL	0	15G	G13_035	TO->FROM	FPL SWITCH - WOODWARD 138KV CKT 1	153	0.05945	106.0355	GEN520922 1-SLEEPING BEAR
FDNS	06ALL	0	15G	G13_035	TO->FROM	FPL SWITCH - WOODWARD 138KV CKT 1	153	0.06234	105.9305	FINNEY SWITCHING STATION - HOLCOMB 345KV CKT 1
FDNS	1	0	15G	G13_035	TO->FROM	FPL SWITCH - WOODWARD 138KV CKT 1	153	0.06024	105.9267	GEN515365 1-CENT 21 0.7000
FDNS	01G13_035	0	15G	G13_035	TO->FROM	FPL SWITCH - WOODWARD 138KV CKT 1	153	0.05397	105.8631	CLEO CORNER - CLEOPLT4 138.00 138KV CKT 1
FDNS	1	0	15G	G13_035	TO->FROM	FPL SWITCH - WOODWARD 138KV CKT 1	153	0.06024	105.8559	GEN515393 1-OGEWIND2G
FDNS	1	0	15G	G13_035	TO->FROM	FPL SWITCH - WOODWARD 138KV CKT 1	153	0.05396	105.7967	IMO TAP - MEN TAP 138KV CKT 1
FDNS	6	0	15G	G13_035	TO->FROM	FPL SWITCH - WOODWARD 138KV CKT 1	153	0.06139	105.668	OKLAUNION - TUCO INTERCHANGE 345KV CKT 1
FDNS	06ALL	0	15G	G13_035	TO->FROM	FPL SWITCH - WOODWARD 138KV CKT 1	153	0.05945	105.4522	GEN336821 1-GRAND GULF UNIT
FDNS	06ALL	0	15G	G13_035	TO->FROM	FPL SWITCH - WOODWARD 138KV CKT 1	153	0.05945	105.3758	GEN509416 1-TURK GENERATION
FDNS	09ALL	0	15G	G13_035	TO->FROM	FPL SWITCH - WOODWARD 138KV CKT 1	153	0.0701	105.3442	IODINE - WOODWARD EHV 138KV CKT 1
FDNS	06ALL	0	15G	G13_035	TO->FROM	FPL SWITCH - WOODWARD 138KV CKT 1	153	0.05945	105.3309	GEN509403 1-PIRKEY GENERATION
FDNS	06ALL	0	15G	G13_035	TO->FROM	FPL SWITCH - WOODWARD 138KV CKT 1	153	0.05552	105.3033	SANDY_CN_138138.00 - WAKITA_138 138.00 138KV CKT 1
FDNS	06ALL	0	15G	G13_035	TO->FROM	FPL SWITCH - WOODWARD 138KV CKT 1	153	0.05945	105.2711	GEN337911 1-ARKANSAS NUCLEAR ONE UNIT #2
FDNS	06ALL	0	15G	G13_035	TO->FROM	FPL SWITCH - WOODWARD 138KV CKT 1	153	0.06045	105.2236	G11-17T 345.00 - POST ROCK 345KV CKT 1
FDNS	1	0	15G	G13_035	TO->FROM	FPL SWITCH - WOODWARD 138KV CKT 1	153	0.05396	105.1614	CLEOPLT4 138.00 - MEN TAP 138KV CKT 1
FDNS	06ALL	0	15G	G13_035	TO->FROM	FPL SWITCH - WOODWARD 138KV CKT 1	153	0.05945	105.1327	GEN520947 1-HUGO1
FDNS	1	0	15G	G13_035	TO->FROM	FPL SWITCH - WOODWARD 138KV CKT 1	153	0.06024	105.1074	GEN562023 1-G11_020_3 0.6900
FDNS	1	0	15G	G13_035	TO->FROM	FPL SWITCH - WOODWARD 138KV CKT 1	153	0.06024	105.1074	GEN562026 1-G11_019_3 0.6900
FDNS	06ALL	0	15G	G13_035	TO->FROM	FPL SWITCH - WOODWARD 138KV CKT 1	153	0.05945	105.0599	GEN515226 1-MUSKOGEE 6G
FDNS	6	0	15G	G13_035	TO->FROM	FPL SWITCH - WOODWARD 138KV CKT 1	153	0.05431	105.0364	SAND RDG_138138.00 - WAKITA_138 138.00 138KV CKT 1
FDNS	06ALL	0	15G	G13_035	TO->FROM	FPL SWITCH - WOODWARD 138KV CKT 1	153	0.0613	104.9911	CIMARRON - NORTHWEST 345KV CKT 1
FDNS	06ALL	0	15G	G13_035	TO->FROM	FPL SWITCH - WOODWARD 138KV CKT 1	153	0.05945	104.9636	GEN336153 1-WATERFORD UNIT#3
FDNS	06ALL	0	15G	G13_035	TO->FROM	FPL SWITCH - WOODWARD 138KV CKT 1	153	0.06104	104.9221	FARGO JCT - WOODWARD 69KV CKT 1
FDNS	09ALL	0	15G	G13_035	TO->FROM	FPL SWITCH - WOODWARD 138KV CKT 1	153	0.11192	104.9181	G11_051T 345.00 - TATONGA7 345.00 345KV CKT 1
FDNS	06ALL	0	15G	G13_035	TO->FROM	FPL SWITCH - WOODWARD 138KV CKT 1	153	0.06234	104.8764	SPP-SWPS-05
FDNS	06ALL	0	15G	G13_035	TO->FROM	FPL SWITCH - WOODWARD 138KV CKT 1	153	0.06234	104.8351	FINNEY SWITCHING STATION - Hitchland Interchange 345KV CKT 1
FDNS	06ALL	0	15G	G13_035	TO->FROM	FPL SWITCH - WOODWARD 138KV CKT 1	153	0.05945	104.7837	GEN337910 1-ARKANSAS NUCLEAR ONE UNIT #1
FDNS	06ALL	0	15G	G13_035	TO->FROM	FPL SWITCH - WOODWARD 138KV CKT 1	153	0.05945	104.783	GEN515225 1-MUSKOGEE 5G
FDNS	06ALL	0	15G	G13_035	TO->FROM	FPL SWITCH - WOODWARD 138KV CKT 1	153	0.05945	104.7829	GEN515223 1-MUSKOGEE 4G

SOLUTION	GROUP	SCENARIO	SEASON	SOURCE	DIRECTION	MONITORED ELEMENT	RATEB (MVA)	TDF	TC%LOADING (% MVA)	CONTINGENCY
FDNS	06ALL	0	15G	G13_035	TO->FROM	FPL SWITCH - WOODWARD 138KV CKT 1	153	0.05945	104.7823	GEN509406 1-WELSH #3
FDNS	06ALL	0	15G	G13_035	TO->FROM	FPL SWITCH - WOODWARD 138KV CKT 1	153	0.05945	104.7821	GEN509404 1-WELSH #1
FDNS	06ALL	0	15G	G13_035	TO->FROM	FPL SWITCH - WOODWARD 138KV CKT 1	153	0.05915	104.7811	ELK CITY - FALCON ROAD 138KV CKT 1
FDNS	06ALL	0	15G	G13_035	TO->FROM	FPL SWITCH - WOODWARD 138KV CKT 1	153	0.05945	104.7442	GEN501801 1-DOLET HILLS UNIT1
FDNS	1	0	15G	G13_035	TO->FROM	FPL SWITCH - WOODWARD 138KV CKT 1	153	0.05396	104.6235	CLEO CORNER - CLEOPLT4 138.00 138KV CKT 1
FDNS	06ALL	0	15G	G13_035	TO->FROM	FPL SWITCH - WOODWARD 138KV CKT 1	153	0.05945	104.6212	GEN335831 1-RIVERBEND UNIT#1
FDNS	06ALL	0	15G	G13_035	TO->FROM	FPL SWITCH - WOODWARD 138KV CKT 1	153	0.05628	104.5337	ELLIS 4 138.00 - MOREWOOD SW 138KV CKT 1
FDNS	06ALL	0	15G	G13_035	TO->FROM	FPL SWITCH - WOODWARD 138KV CKT 1	153	0.05861	104.5151	SOONER - WOODRING 345KV CKT 1
FDNS	06ALL	0	15G	G13_035	TO->FROM	FPL SWITCH - WOODWARD 138KV CKT 1	153	0.06003	104.5087	SPP-MKEC-08
FDNS	06ALL	0	15G	G13_035	TO->FROM	FPL SWITCH - WOODWARD 138KV CKT 1	153	0.05945	104.4997	GEN511839 1-NORTHEASTERN STATION #2
FDNS	06ALL	0	15G	G13_035	TO->FROM	FPL SWITCH - WOODWARD 138KV CKT 1	153	0.05945	104.4881	GEN511840 1-NORTHEASTERN STATION #3
FDNS	06ALL	0	15G	G13_035	TO->FROM	FPL SWITCH - WOODWARD 138KV CKT 1	153	0.05945	104.4417	GEN511841 1-NORTHEASTERN STATION #4
FDNS	06ALL	0	15G	G13_035	TO->FROM	FPL SWITCH - WOODWARD 138KV CKT 1	153	0.05945	104.4358	GEN509394 1-FLINT CREEK
FDNS	06ALL	0	15G	G13_035	TO->FROM	FPL SWITCH - WOODWARD 138KV CKT 1	153	0.06045	104.41	G11-17T 345.00 - SPEARVILLE 345KV CKT 1
FDNS	06ALL	0	15G	G13_035	TO->FROM	FPL SWITCH - WOODWARD 138KV CKT 1	153	0.05945	104.4074	GEN512688 2-GRDA1 GSU2 22
FDNS	06ALL	0	15G	G13_035	TO->FROM	FPL SWITCH - WOODWARD 138KV CKT 1	153	0.05945	104.3688	GEN509405 1-WELSH #2
FDNS	06ALL	0	15G	G13_035	TO->FROM	FPL SWITCH - WOODWARD 138KV CKT 1	153	0.05945	104.2437	GEN337653 1-WHITE BLUFF UNIT #2
FDNS	6	0	15G	G13_035	TO->FROM	FPL SWITCH - WOODWARD 138KV CKT 1	153	0.06234	104.1075	DEWEY - TALOGA 138KV CKT 1
FDNS	6	0	15G	G13_035	TO->FROM	FPL SWITCH - WOODWARD 138KV CKT 1	153	0.06378	103.6716	THISTLE7 345.00 - WICHITA 345KV CKT 1
FDNS	6	0	15G	G13_035	TO->FROM	FPL SWITCH - WOODWARD 138KV CKT 1	153	0.06378	103.6716	THISTLE7 345.00 - WICHITA 345KV CKT 2
FDNS	6	0	15G	G13_035	TO->FROM	FPL SWITCH - WOODWARD 138KV CKT 1	153	0.05952	103.4679	GEN514805 1-SOONER UNIT 1
FDNS	09ALL	0	15G	G13_035	TO->FROM	FPL SWITCH - WOODWARD 138KV CKT 1	153	0.0701	103.4561	DEWEY - IODINE 138KV CKT 1
FDNS	01ALL	0	15G	G13_035	TO->FROM	FPL SWITCH - WOODWARD 138KV CKT 1	153	0.05429	103.2259	MOORELAND - NOEL_SW 138.00 138KV CKT 1
FDNS	6	0	15G	G13_035	TO->FROM	FPL SWITCH - WOODWARD 138KV CKT 1	153	0.05952	103.2248	GEN520443 1-REDHIL-WTG1 12.000
FDNS	9	0	15G	G13_035	TO->FROM	FPL SWITCH - WOODWARD 138KV CKT 1	153	0.07008	103.0846	IODINE - WOODWARD EHV 138KV CKT 1
FDNS	01ALL	0	15G	G13_035	TO->FROM	FPL SWITCH - WOODWARD 138KV CKT 1	153	0.05389	102.9802	MOREWOOD SW - NINE MILE 138KV CKT 1
FDNS	6	0	15G	G13_035	TO->FROM	FPL SWITCH - WOODWARD 138KV CKT 1	153	0.0691	102.8363	THISTLE7 345.00 - WOODWARD DISTRICT EHV 345KV CKT 1
FDNS	6	0	15G	G13_035	TO->FROM	FPL SWITCH - WOODWARD 138KV CKT 1	153	0.0691	102.8363	THISTLE7 345.00 - WOODWARD DISTRICT EHV 345KV CKT 2
FDNS	01G13_035	0	15G	G13_035	TO->FROM	FPL SWITCH - WOODWARD 138KV CKT 1	153	0.05459	102.574	CEDARDALE - OKEENE 138KV CKT 1
FDNS	01ALL	0	15G	G13_035	TO->FROM	FPL SWITCH - WOODWARD 138KV CKT 1	153	0.05389	102.32	MOORELAND - NINE MILE 138KV CKT 1
FDNS	06ALL	0	15G	G13_035	TO->FROM	FPL SWITCH - WOODWARD 138KV CKT 1	153	0.05945	102.2509	NC1_GEN-NEBRASKA CITY 1
FDNS	6	0	15G	G13_035	TO->FROM	FPL SWITCH - WOODWARD 138KV CKT 1	153	0.05874	102.0258	WOODRING (WOODRNG2) 345/138/13.8KV TRANSFORMER CKT 1
FDNS	01G13_035	0	15G	G13_035	TO->FROM	FPL SWITCH - WOODWARD 138KV CKT 1	153	0.05459	101.7761	CEDARDALE - MOORELAND 138KV CKT 1
FDNS	09ALL	0	15G	G13_035	TO->FROM	FPL SWITCH - WOODWARD 138KV CKT 1	153	0.05971	101.7529	BASE CASE
FDNS	09ALL	0	15G	G13_035	TO->FROM	FPL SWITCH - WOODWARD 138KV CKT 1	153	0.05971	101.7529	BASE CASE
FDNS	6	0	15G	G13_035	TO->FROM	FPL SWITCH - WOODWARD 138KV CKT 1	153	0.05952	101.3864	GEN514806 1-SOONER UNIT 2
FDNS	1	0	15G	G13_035	TO->FROM	FPL SWITCH - WOODWARD 138KV CKT 1	153	0.05457	101.3199	CEDARDALE - OKEENE 138KV CKT 1
FDNS	9	0	15G	G13_035	TO->FROM	FPL SWITCH - WOODWARD 138KV CKT 1	153	0.07008	101.1859	DEWEY - IODINE 138KV CKT 1
FDNS	6	0	15G	G13_035	TO->FROM	FPL SWITCH - WOODWARD 138KV CKT 1	153	0.05952	100.9273	GEN515787 1-OKLA WIND ENERGY CENTER
FDNS	6	0	15G	G13_035	TO->FROM	FPL SWITCH - WOODWARD 138KV CKT 1	153	0.05952	100.5582	GEN520922 1-SLEEPING BEAR
FDNS	6	0	15G	G13_035	TO->FROM	FPL SWITCH - WOODWARD 138KV CKT 1	153	0.05558	100.5523	SANDY_CN_138138.00 - WAKITA_138 138.00 138KV CKT 1
FDNS	1	0	15G	G13_035	TO->FROM	FPL SWITCH - WOODWARD 138KV CKT 1	153	0.05457	100.5211	CEDARDALE - MOORELAND 138KV CKT 1
FDNS	6	0	15G	G13_035	TO->FROM	FPL SWITCH - WOODWARD 138KV CKT 1	153	0.05638	100.4987	ELLIS 4 138.00 - RED HILLS WIND 138KV CKT 1
FDNS	01G13_035	0	15G	G13_035	TO->FROM	FPL SWITCH - WOODWARD 138KV CKT 1	153	0.05321	100.4433	CLEO CORNER - GLASS MOUNTAIN 138KV CKT 1
FDNS	09ALL	0	15G	G13_035	TO->FROM	FPL SWITCH - WOODWARD 138KV CKT 1	153	0.06705	100.4235	WOODWARD - WOODWARD 69KV CKT 1
FDNS	06ALL	0	15G	G13_035	TO->FROM	FPL SWITCH - WOODWARD 138KV CKT 1	153	0.05945	100.165	GEN560121 1-G08-47 0.5750
FDNS	06ALL	0	15G	G13_035	TO->FROM	FPL SWITCH - WOODWARD 138KV CKT 1	153	0.05945	100.1402	GEN562432 1-G13-030 0.6900
FDNS	06ALL	0	15G	G13_035	TO->FROM	FPL SWITCH - WOODWARD 138KV CKT 1	153	0.05908	100.1005	KNOBHILL (KNOBHIL4) 138/69/13.2KV TRANSFORMER CKT 1
FDNS	06ALL	0	15G	G13_035	TO->FROM	FPL SWITCH - WOODWARD 138KV CKT 1	153	0.05945	100.1	GEN532652 1-JEFFREY ENERGY CENTER UNIT 2
FDNS	06ALL	0	15G	G13_035	TO->FROM	FPL SWITCH - WOODWARD 138KV CKT 1	153	0.05945	100.1	GEN532653 1-JEFFREY ENERGY CENTER UNIT 3
FDNS	09ALL	0	15G	G13_035	TO->FROM	FPL SWITCH - WOODWARD 138KV CKT 1	153	0.05445	100.0969	SAND_RDG_138138.00 - WAKITA_138 138.00 138KV CKT 1
FDNS	06ALL	0	15G	G13_035	TO->FROM	FPL SWITCH - WOODWARD 138KV CKT 1	153	0.05945	100.0756	GEN527161 1-MUSTANG GEN #1
FDNS	06ALL	0	15G	G13_035	TO->FROM	FPL SWITCH - WOODWARD 138KV CKT 1	153	0.05945	100.0756	GEN527162 1-MUSTANG GEN #2
FDNS	06ALL	0	15G	G13_035	TO->FROM	FPL SWITCH - WOODWARD 138KV CKT 1	153	0.05948	100.0736	DELAWARE - NORTHEAST STATION 345KV CKT 1
FDNS	06ALL	0	15G	G13_035	TO->FROM	FPL SWITCH - WOODWARD 138KV CKT 1	153	0.05908	100.0715	KNOBHILL - NOEL_SW 138.00 138KV CKT 1
FDNS	6	0	15G	G13_035	TO->FROM	FPL SWITCH - WOODWARD 138KV CKT 1	153	0.05952	100	GEN509416 1-TURK GENERATION
FDNS	06ALL	0	15G	G13_035	TO->FROM	FPL SWITCH - WOODWARD 138KV CKT 1	153	0.05945	100	GEN532651 1-JEFFREY ENERGY CENTER UNIT 1
FDNS	6	0	15G	G13_035	TO->FROM	FPL SWITCH - WOODWARD 138KV CKT 1	153	0.05952	99.9	GEN336821 1-GRAND GULF UNIT
FDNS	6	0	15G	G13_035	TO->FROM	FPL SWITCH - WOODWARD 138KV CKT 1	153	0.05952	99.9	GEN509403 1-PIRKEY GENERATION
FDNS	06ALL	0	15G	G13_035	TO->FROM	FPL SWITCH - WOODWARD 138KV CKT 1	153	0.05948	99.9	OPENSKY7 345.00 - ROSE HILL 345KV CKT 1
FDNS	06ALL	0	15G	G13_035	TO->FROM	FPL SWITCH - WOODWARD 138KV CKT 1	153	0.05945	99.9	GEN640009 1-COOPER NUCLEAR STATION
FDNS	06ALL	0	15G	G13_035	TO->FROM	FPL SWITCH - WOODWARD 138KV CKT 1	153	0.05945	99.9	GEN645012 2-NEBRASKA CITY 2
FDNS	06ALL	0	15G	G13_035	TO->FROM	FPL SWITCH - WOODWARD 138KV CKT 1	153	0.05272	99.9	MOREWOOD SW - NINE MILE 138KV CKT 1
FDNS	6	0	15G	G13_035	TO->FROM	FPL SWITCH - WOODWARD 138KV CKT 1	153	0.05952	99.8	GEN337911 1-ARKANSAS NUCLEAR ONE UNIT #2
FDNS	06ALL	0	15G	G13_035	TO->FROM	FPL SWITCH - WOODWARD 138KV CKT 1	153	0.06023	99.8	DBL-CLRK-THI
FDNS	06ALL	0	15G	G13_035	TO->FROM	FPL SWITCH - WOODWARD 138KV CKT 1	153	0.05945	99.8	GEN527901 1-HOBBS PLANT #1 (CT)

SOLUTION	GROUP	SCENARIO	SEASON	SOURCE	DIRECTION	MONITORED ELEMENT	RATEB (MVA)	TDF	TC%LOADING (% MVA)	CONTINGENCY
FDNS	06ALL	0	15G	G13_035	TO->FROM	FPL SWITCH - WOODWARD 138KV CKT 1	153	0.05945	99.8	GEN527902 1-HOBBS PLANT #2 (CT)
FDNS	6	0	15G	G13_035	TO->FROM	FPL SWITCH - WOODWARD 138KV CKT 1	153	0.05952	99.7	GEN520947 1-HUGO1
FDNS	06ALL	0	15G	G13_035	TO->FROM	FPL SWITCH - WOODWARD 138KV CKT 1	153	0.05945	99.7	GEN515365 1-CENT 21 0.7000
FDNS	06ALL	0	15G	G13_035	TO->FROM	FPL SWITCH - WOODWARD 138KV CKT 1	153	0.05945	99.7	GEN527163 1-MUSTANG GEN #3 22 KV
FDNS	06ALL	0	15G	G13_035	TO->FROM	FPL SWITCH - WOODWARD 138KV CKT 1	153	0.05945	99.7	GEN539670 4-JUDSON LARGE GENERATOR
FDNS	06ALL	0	15G	G13_035	TO->FROM	FPL SWITCH - WOODWARD 138KV CKT 1	153	0.05945	99.7	GEN640011 2-GERALD GENTLEMAN STATION UNIT 2
FDNS	06ALL	0	15G	G13_035	TO->FROM	FPL SWITCH - WOODWARD 138KV CKT 1	153	0.05805	99.7	WOODWARD - WOODWARD EHV 138KV CKT 2
FDNS	6	0	15G	G13_035	TO->FROM	FPL SWITCH - WOODWARD 138KV CKT 1	153	0.06137	99.6	CIMARRON - NORTHWEST 345KV CKT 1
FDNS	6	0	15G	G13_035	TO->FROM	FPL SWITCH - WOODWARD 138KV CKT 1	153	0.05952	99.6	GEN515226 1-MUSKOGEE 6G
FDNS	9	0	15G	G13_035	TO->FROM	FPL SWITCH - WOODWARD 138KV CKT 1	153	0.05968	99.6	BASE CASE
FDNS	9	0	15G	G13_035	TO->FROM	FPL SWITCH - WOODWARD 138KV CKT 1	153	0.05968	99.6	BASE CASE
FDNS	01G13_035	0	15G	G13_035	TO->FROM	FPL SWITCH - WOODWARD 138KV CKT 1	153	0.05321	99.6	GLASS MOUNTAIN - MOORELAND 138KV CKT 1
FDNS	06ALL	0	15G	G13_035	TO->FROM	FPL SWITCH - WOODWARD 138KV CKT 1	153	0.05945	99.6	GEN515393 1-OGEWIND2G
FDNS	06ALL	0	15G	G13_035	TO->FROM	FPL SWITCH - WOODWARD 138KV CKT 1	153	0.05945	99.6	GEN526332 1-JONES GEN #2 21 KV
FDNS	6	0	15G	G13_035	TO->FROM	FPL SWITCH - WOODWARD 138KV CKT 1	153	0.06053	99.5	G11-17T 345.00 - POST ROCK 345KV CKT 1
FDNS	06ALL	0	15G	G13_035	TO->FROM	FPL SWITCH - WOODWARD 138KV CKT 1	153	0.05945	99.5	GEN527166 1-MUSTANG_6 118.000
FDNS	06ALL	0	15G	G13_035	TO->FROM	FPL SWITCH - WOODWARD 138KV CKT 1	153	0.05945	99.5	GEN562023 1-G11_020_3 0.6900
FDNS	06ALL	0	15G	G13_035	TO->FROM	FPL SWITCH - WOODWARD 138KV CKT 1	153	0.05945	99.5	GEN562026 1-G11_019_3 0.6900
FDNS	06ALL	0	15G	G13_035	TO->FROM	FPL SWITCH - WOODWARD 138KV CKT 1	153	0.05945	99.5	GEN635214 4-NEAL UNIT 4
FDNS	06ALL	0	15G	G13_035	TO->FROM	FPL SWITCH - WOODWARD 138KV CKT 1	153	0.05552	99.5	BYRON_138 138.00 - SANDY_CN_138138.00 138KV CKT 1
FDNS	01ALL	0	15G	G13_035	TO->FROM	GLASS MOUNTAIN - MOORELAND 138KV CKT 1	124	0.03171	102.2402	DBL-THIS-WWR
FDNS	01ALL	0	15G	G13_035	FROM->TO	HARPER - MILAN TAP 138KV CKT 1	143.4	0.03991	143.6463	DBL-THIS-WIC
FDNS	01G13_035	0	15G	G13_035	FROM->TO	HARPER - MILAN TAP 138KV CKT 1	143.4	0.03989	127.0275	DBL-THIS-WIC
FDNS	1	0	15G	G13_035	FROM->TO	HARPER - MILAN TAP 138KV CKT 1	143.4	0.03989	125.8587	DBL-THIS-WIC
FDNS	06ALL	0	15G	G13_035	FROM->TO	HARPER - MILAN TAP 138KV CKT 1	143.4	0.03938	104.597	DBL-THIS-WIC
FDNS	01ALL	0	15G	G13_035	TO->FROM	NORTHWEST - TATONGA7 345.00 345KV CKT 1	1195	0.49332	106.2943	DBL-THIS-WWR
FDNS	01ALL	0	15G	G14_001	FROM->TO	WICHITA (WICH TX-12) 345/138/13.8KV TRANSFORMER CKT 1	430	0.04853	105.6512	WICHITA (WICH TX-11) 345/138/13.8KV TRANSFORMER CKT 1
FDNS	06ALL	0	15G	G14_001	FROM->TO	WICHITA (WICH TX-12) 345/138/13.8KV TRANSFORMER CKT 1	430	0.04819	103.0962	WICHITA (WICH TX-11) 345/138/13.8KV TRANSFORMER CKT 1
FDNS	01ALL	0	15G	G14_001	FROM->TO	WICHITA (WICH TX-12) 345/138/13.8KV TRANSFORMER CKT 1	430	0.04853	102.5848	WICHITA (WICH TX-11) 345/138/13.8KV TRANSFORMER CKT 1
FDNS	6	0	15G	G14_001	FROM->TO	WICHITA (WICH TX-12) 345/138/13.8KV TRANSFORMER CKT 1	430	0.04824	102.4122	WICHITA (WICH TX-11) 345/138/13.8KV TRANSFORMER CKT 1
FDNS	09ALL	0	15G	G14_001	FROM->TO	WICHITA (WICH TX-12) 345/138/13.8KV TRANSFORMER CKT 1	430	0.04833	101.2301	WICHITA (WICH TX-11) 345/138/13.8KV TRANSFORMER CKT 1
FDNS	9	0	15G	G14_001	FROM->TO	WICHITA (WICH TX-12) 345/138/13.8KV TRANSFORMER CKT 1	430	0.04834	101.0782	WICHITA (WICH TX-11) 345/138/13.8KV TRANSFORMER CKT 1
FDNS	08G14_001	0	15G	G14_001	FROM->TO	WICHITA (WICH TX-12) 345/138/13.8KV TRANSFORMER CKT 1	430	0.04841	99.7	WICHITA (WICH TX-11) 345/138/13.8KV TRANSFORMER CKT 1
FDNS	01ALL	0	15G	G14_002	FROM->TO	CLEARWATER - GILL ENERGY CENTER WEST 138KV CKT 1	143	0.03029	127.361	DBL-THIS-WIC
FDNS	01G14_002	0	15G	G14_002	FROM->TO	CLEARWATER - GILL ENERGY CENTER WEST 138KV CKT 1	143	0.03028	112.8965	DBL-THIS-WIC
FDNS	1	0	15G	G14_002	FROM->TO	CLEARWATER - GILL ENERGY CENTER WEST 138KV CKT 1	143	0.03027	109.7233	DBL-THIS-WIC
FDNS	01ALL	0	15G	G14_002	TO->FROM	CLEARWATER - MILAN TAP 138KV CKT 1	110	0.03029	175.6296	DBL-THIS-WIC
FDNS	01G14_002	0	15G	G14_002	TO->FROM	CLEARWATER - MILAN TAP 138KV CKT 1	110	0.03028	156.5095	DBL-THIS-WIC
FDNS	1	0	15G	G14_002	TO->FROM	CLEARWATER - MILAN TAP 138KV CKT 1	110	0.03027	152.3121	DBL-THIS-WIC
FDNS	01ALL	0	15G	G14_002	TO->FROM	FLATRDG3 - THISTLE4 138.00 138KV CKT 1	286	0.04784	109.8689	DBL-THIS-WIC
FDNS	01ALL	0	15G	G14_002	FROM->TO	FPL SWITCH - MOORELAND 138KV CKT 1	287	0.11329	140.5605	NORTHWEST - TATONGA7 345.00 345KV CKT 1
FDNS	01ALL	0	15G	G14_002	FROM->TO	FPL SWITCH - MOORELAND 138KV CKT 1	287	0.07256	140.2435	DBL-THIS-WWR
FDNS	01ALL	0	15G	G14_002	FROM->TO	FPL SWITCH - MOORELAND 138KV CKT 1	287	0.11329	131.8231	SPSCONT-05B
FDNS	01ALL	0	15G	G14_002	FROM->TO	FPL SWITCH - MOORELAND 138KV CKT 1	287	0.11329	130.3129	SPSCONT-04
FDNS	01G14_002	0	15G	G14_002	FROM->TO	FPL SWITCH - MOORELAND 138KV CKT 1	287	0.1129	125.611	NORTHWEST - TATONGA7 345.00 345KV CKT 1
FDNS	01ALL	0	15G	G14_002	FROM->TO	FPL SWITCH - MOORELAND 138KV CKT 1	287	0.05645	125.5536	DBL-THIS-WIC
FDNS	01G14_002	0	15G	G14_002	FROM->TO	FPL SWITCH - MOORELAND 138KV CKT 1	287	0.07242	120.6791	DBL-THIS-WWR
FDNS	1	0	15G	G14_002	FROM->TO	FPL SWITCH - MOORELAND 138KV CKT 1	287	0.11281	119.7451	NORTHWEST - TATONGA7 345.00 345KV CKT 1
FDNS	01G14_002	0	15G	G14_002	FROM->TO	FPL SWITCH - MOORELAND 138KV CKT 1	287	0.1129	117.717	SPSCONT-05B
FDNS	1	0	15G	G14_002	FROM->TO	FPL SWITCH - MOORELAND 138KV CKT 1	287	0.07238	116.6992	DBL-THIS-WWR
FDNS	01G14_002	0	15G	G14_002	FROM->TO	FPL SWITCH - MOORELAND 138KV CKT 1	287	0.1129	114.6053	SPSCONT-04
FDNS	1	0	15G	G14_002	FROM->TO	FPL SWITCH - MOORELAND 138KV CKT 1	287	0.11281	112.3832	SPSCONT-05B
FDNS	01ALL	0	15G	G14_002	FROM->TO	FPL SWITCH - MOORELAND 138KV CKT 1	287	0.05336	112.2285	DBL-HTCH-BVR
FDNS	01ALL	0	15G	G14_002	FROM->TO	FPL SWITCH - MOORELAND 138KV CKT 1	287	0.04788	112.1484	WOODWARD (WOODWRD2) 138/69/13.2KV TRANSFORMER CKT 1
FDNS	1	0	15G	G14_002	FROM->TO	FPL SWITCH - MOORELAND 138KV CKT 1	287	0.11281	111.2231	SPSCONT-04
FDNS	01G14_002	0	15G	G14_002	FROM->TO	FPL SWITCH - MOORELAND 138KV CKT 1	287	0.05621	110.7477	DBL-THIS-WIC
FDNS	01ALL	0	15G	G14_002	FROM->TO	FPL SWITCH - MOORELAND 138KV CKT 1	287	0.04505	108.3621	DEWEY - TALOGA 138KV CKT 1
FDNS	01ALL	0	15G	G14_002	FROM->TO	FPL SWITCH - MOORELAND 138KV CKT 1	287	0.05024	108.057	THISTLE7 345.00 - WOODWARD DISTRICT EHV 345KV CKT 1
FDNS	01ALL	0	15G	G14_002	FROM->TO	FPL SWITCH - MOORELAND 138KV CKT 1	287	0.05024	108.057	THISTLE7 345.00 - WOODWARD DISTRICT EHV 345KV CKT 2
FDNS	01ALL	0	15G	G14_002	FROM->TO	FPL SWITCH - MOORELAND 138KV CKT 1	287	0.04267	107.9074	GEN520922 1-SLEEPING BEAR
FDNS	1	0	15G	G14_002	FROM->TO	FPL SWITCH - MOORELAND 138KV CKT 1	287	0.05616	107.89	DBL-THIS-WIC
FDNS	01ALL	0	15G	G14_002	FROM->TO	FPL SWITCH - MOORELAND 138KV CKT 1	287	0.04978	106.8891	IODINE - WOODWARD EHV 138KV CKT 1
FDNS	01ALL	0	15G	G14_002	FROM->TO	FPL SWITCH - MOORELAND 138KV CKT 1	287	0.05336	106.7934	DBL-BVR-G111
FDNS	01ALL	0	15G	G14_002	FROM->TO	FPL SWITCH - MOORELAND 138KV CKT 1	287	0.04641	105.9544	BORDER 7345.00 - TUCO INTERCHANGE 345KV CKT 1
FDNS	01ALL	0	15G	G14_002	FROM->TO	FPL SWITCH - MOORELAND 138KV CKT 1	287	0.04978	105.7994	DEWEY - IODINE 138KV CKT 1
FDNS	01ALL	0	15G	G14_002	FROM->TO	FPL SWITCH - MOORELAND 138KV CKT 1	287	0.04304	105.3327	FT SUPPLY - IODINE 138KV CKT 1

SOLUTION	GROUP	SCENARIO	SEASON	SOURCE	DIRECTION	MONITORED ELEMENT	RATEB (MVA)	TDF	TC%LOADING (% MVA)	CONTINGENCY	
FDNS	01ALL		0	15G	G14_002	FROM->TO	FPL SWITCH - MOORELAND 138KV CKT 1	287	0.05336	105.2634	DBL-G1114-WW
FDNS	01ALL		0	15G	G14_002	FROM->TO	FPL SWITCH - MOORELAND 138KV CKT 1	287	0.04641	104.7097	BORDER 7345.00 - WOODWARD DISTRICT EHV 345KV CKT 1
FDNS	01ALL		0	15G	G14_002	FROM->TO	FPL SWITCH - MOORELAND 138KV CKT 1	287	0.04304	104.5009	IODINE - MOORELAND 138KV CKT 1
FDNS	01ALL		0	15G	G14_002	FROM->TO	FPL SWITCH - MOORELAND 138KV CKT 1	287	0.04267	104.4119	BASE CASE
FDNS	01ALL		0	15G	G14_002	FROM->TO	FPL SWITCH - MOORELAND 138KV CKT 1	287	0.04267	104.4119	BASE CASE
FDNS	01ALL		0	15G	G14_002	FROM->TO	FPL SWITCH - MOORELAND 138KV CKT 1	287	0.04788	104.2123	WOODWARD - WOODWARD 69KV CKT 1
FDNS	01ALL		0	15G	G14_002	FROM->TO	FPL SWITCH - MOORELAND 138KV CKT 1	287	0.04594	104.0165	THISTLE7 345.00 - WICHITA 345KV CKT 1
FDNS	01ALL		0	15G	G14_002	FROM->TO	FPL SWITCH - MOORELAND 138KV CKT 1	287	0.04594	104.0165	THISTLE7 345.00 - WICHITA 345KV CKT 2
FDNS	01ALL		0	15G	G14_002	FROM->TO	FPL SWITCH - MOORELAND 138KV CKT 1	287	0.04267	101.8128	GEN515389 1-TLGWND-WTG1 0.7000
FDNS	01ALL		0	15G	G14_002	FROM->TO	FPL SWITCH - MOORELAND 138KV CKT 1	287	0.04414	101.4819	POTTER COUNTY INTERCHANGE (WAUK 90343-A) 345/230/13.2KV TRANSFORMER CKT 1
FDNS	01ALL		0	15G	G14_002	FROM->TO	FPL SWITCH - MOORELAND 138KV CKT 1	287	0.04355	101.3834	LAWTON EASTSIDE - OKLAUNION 345KV CKT 1
FDNS	01ALL		0	15G	G14_002	FROM->TO	FPL SWITCH - MOORELAND 138KV CKT 1	287	0.04267	101.2175	GEN514805 1-SOONER UNIT 1
FDNS	01G14_002		0	15G	G14_002	FROM->TO	FPL SWITCH - MOORELAND 138KV CKT 1	287	0.04761	101.0746	WOODWARD (WOODWRD2) 138/69/13.2KV TRANSFORMER CKT 1
FDNS	01ALL		0	15G	G14_002	FROM->TO	FPL SWITCH - MOORELAND 138KV CKT 1	287	0.04267	100.8698	GEN520443 1-REDHL-WTG1 12.000
FDNS	01ALL		0	15G	G14_002	FROM->TO	FPL SWITCH - MOORELAND 138KV CKT 1	287	0.0426	100.7515	ELK CITY 230KV - SWEETWATER 230KV CKT 1
FDNS	01ALL		0	15G	G14_002	FROM->TO	FPL SWITCH - MOORELAND 138KV CKT 1	287	0.0426	100.7486	ELK CITY 230KV (ELKCTY-6) 230/138/13.8KV TRANSFORMER CKT 1
FDNS	01ALL		0	15G	G14_002	FROM->TO	FPL SWITCH - MOORELAND 138KV CKT 1	287	0.04414	100.6443	SPP-SWPS-04
FDNS	01ALL		0	15G	G14_002	FROM->TO	FPL SWITCH - MOORELAND 138KV CKT 1	287	0.04414	100.6072	Hitchland Interchange - POTTER COUNTY INTERCHANGE 345KV CKT 1
FDNS	01ALL		0	15G	G14_002	FROM->TO	FPL SWITCH - MOORELAND 138KV CKT 1	287	0.04504	100.3154	FINNEY SWITCHING STATION - HOLCOMB 345KV CKT 1
FDNS	01ALL		0	15G	G14_002	FROM->TO	FPL SWITCH - MOORELAND 138KV CKT 1	287	0.04266	100.2312	GRAPEVINE INTERCHANGE - NICHOLS STATION 230KV CKT 1
FDNS	01ALL		0	15G	G14_002	FROM->TO	FPL SWITCH - MOORELAND 138KV CKT 1	287	0.04267	100.0608	GEN514806 1-SOONER UNIT 2
FDNS	01ALL		0	15G	G14_002	FROM->TO	FPL SWITCH - MOORELAND 138KV CKT 1	287	0.0435	99.9	G11-17T 345.00 - POST ROCK 345KV CKT 1
FDNS	01ALL		0	15G	G14_002	FROM->TO	FPL SWITCH - MOORELAND 138KV CKT 1	287	0.04504	99.8	SPP-SWPS-05
FDNS	01ALL		0	15G	G14_002	FROM->TO	FPL SWITCH - MOORELAND 138KV CKT 1	287	0.04291	99.8	MOORELAND - TALOGA 138KV CKT 1
FDNS	01ALL		0	15G	G14_002	FROM->TO	FPL SWITCH - MOORELAND 138KV CKT 1	287	0.04504	99.7	FINNEY SWITCHING STATION - Hitchland Interchange 345KV CKT 1
FDNS	01ALL		0	15G	G14_002	FROM->TO	FPL SWITCH - MOORELAND 138KV CKT 1	287	0.04414	99.6	SPSCONT-02
FDNS	01ALL		0	15G	G14_002	FROM->TO	FPL SWITCH - MOORELAND 138KV CKT 1	287	0.04221	99.6	WOODRING (WOODRNG2) 345/138/13.8KV TRANSFORMER CKT 1
FDNS	01ALL		0	15G	G14_002	FROM->TO	FPL SWITCH - MOORELAND 138KV CKT 1	287	0.04433	99.5	CARTER JCT - WOODWARD 69KV CKT 1
FDNS	01ALL		0	15G	G14_002	TO->FROM	FPL SWITCH - WOODWARD 138KV CKT 1	153	0.11329	207.9824	NORTHWEST - TATONGA7 345.00 345KV CKT 1
FDNS	01ALL		0	15G	G14_002	TO->FROM	FPL SWITCH - WOODWARD 138KV CKT 1	153	0.07256	202.9925	DBL-THIS-WWR
FDNS	01G14_002		0	15G	G14_002	TO->FROM	FPL SWITCH - WOODWARD 138KV CKT 1	153	0.1129	190.6294	NORTHWEST - TATONGA7 345.00 345KV CKT 1
FDNS	01ALL		0	15G	G14_002	TO->FROM	FPL SWITCH - WOODWARD 138KV CKT 1	153	0.11329	189.6207	SPSCONT-05B
FDNS	01ALL		0	15G	G14_002	TO->FROM	FPL SWITCH - WOODWARD 138KV CKT 1	153	0.11329	186.4538	SPSCONT-04
FDNS	01G14_002		0	15G	G14_002	TO->FROM	FPL SWITCH - WOODWARD 138KV CKT 1	153	0.07242	180.7236	DBL-THIS-WWR
FDNS	1		0	15G	G14_002	TO->FROM	FPL SWITCH - WOODWARD 138KV CKT 1	153	0.11281	179.2008	NORTHWEST - TATONGA7 345.00 345KV CKT 1
FDNS	01ALL		0	15G	G14_002	TO->FROM	FPL SWITCH - WOODWARD 138KV CKT 1	153	0.05645	176.6014	DBL-THIS-WIC
FDNS	01G14_002		0	15G	G14_002	TO->FROM	FPL SWITCH - WOODWARD 138KV CKT 1	153	0.1129	175.9568	SPSCONT-05B
FDNS	1		0	15G	G14_002	TO->FROM	FPL SWITCH - WOODWARD 138KV CKT 1	153	0.07238	173.4029	DBL-THIS-WWR
FDNS	01G14_002		0	15G	G14_002	TO->FROM	FPL SWITCH - WOODWARD 138KV CKT 1	153	0.1129	170.1548	SPSCONT-04
FDNS	1		0	15G	G14_002	TO->FROM	FPL SWITCH - WOODWARD 138KV CKT 1	153	0.11281	166.2765	SPSCONT-05B
FDNS	1		0	15G	G14_002	TO->FROM	FPL SWITCH - WOODWARD 138KV CKT 1	153	0.11281	164.1345	SPSCONT-04
FDNS	01G14_002		0	15G	G14_002	TO->FROM	FPL SWITCH - WOODWARD 138KV CKT 1	153	0.05621	162.8151	DBL-THIS-WIC
FDNS	1		0	15G	G14_002	TO->FROM	FPL SWITCH - WOODWARD 138KV CKT 1	153	0.05616	157.7779	DBL-THIS-WIC
FDNS	01ALL		0	15G	G14_002	TO->FROM	FPL SWITCH - WOODWARD 138KV CKT 1	153	0.04788	154.6751	WOODWARD (WOODWRD2) 138/69/13.2KV TRANSFORMER CKT 1
FDNS	01ALL		0	15G	G14_002	TO->FROM	FPL SWITCH - WOODWARD 138KV CKT 1	153	0.05336	153.8595	DBL-HTCH-BVR
FDNS	01ALL		0	15G	G14_002	TO->FROM	FPL SWITCH - WOODWARD 138KV CKT 1	153	0.04267	150.1756	GEN515787 1-OKLA WIND ENERGY CENTER
FDNS	01ALL		0	15G	G14_002	TO->FROM	FPL SWITCH - WOODWARD 138KV CKT 1	153	0.04505	147.4808	DEWEY - TALOGA 138KV CKT 1
FDNS	01ALL		0	15G	G14_002	TO->FROM	FPL SWITCH - WOODWARD 138KV CKT 1	153	0.04267	147.2782	BASE CASE
FDNS	01ALL		0	15G	G14_002	TO->FROM	FPL SWITCH - WOODWARD 138KV CKT 1	153	0.04267	147.2782	BASE CASE
FDNS	01ALL		0	15G	G14_002	TO->FROM	FPL SWITCH - WOODWARD 138KV CKT 1	153	0.04267	146.8954	GEN520922 1-SLEEPING BEAR
FDNS	01G14_002		0	15G	G14_002	TO->FROM	FPL SWITCH - WOODWARD 138KV CKT 1	153	0.04761	146.486	WOODWARD (WOODWRD2) 138/69/13.2KV TRANSFORMER CKT 1
FDNS	01ALL		0	15G	G14_002	TO->FROM	FPL SWITCH - WOODWARD 138KV CKT 1	153	0.04978	146.3801	IODINE - WOODWARD EHV 138KV CKT 1
FDNS	01ALL		0	15G	G14_002	TO->FROM	FPL SWITCH - WOODWARD 138KV CKT 1	153	0.05024	146.1523	THISTLE7 345.00 - WOODWARD DISTRICT EHV 345KV CKT 1
FDNS	01ALL		0	15G	G14_002	TO->FROM	FPL SWITCH - WOODWARD 138KV CKT 1	153	0.05024	146.1523	THISTLE7 345.00 - WOODWARD DISTRICT EHV 345KV CKT 2
FDNS	01ALL		0	15G	G14_002	TO->FROM	FPL SWITCH - WOODWARD 138KV CKT 1	153	0.05336	144.5816	DBL-BVR-G111
FDNS	01ALL		0	15G	G14_002	TO->FROM	FPL SWITCH - WOODWARD 138KV CKT 1	153	0.04978	144.516	DEWEY - IODINE 138KV CKT 1
FDNS	01ALL		0	15G	G14_002	TO->FROM	FPL SWITCH - WOODWARD 138KV CKT 1	153	0.04641	142.6407	BORDER 7345.00 - TUCO INTERCHANGE 345KV CKT 1
FDNS	1		0	15G	G14_002	TO->FROM	FPL SWITCH - WOODWARD 138KV CKT 1	153	0.04755	142.4312	WOODWARD (WOODWRD2) 138/69/13.2KV TRANSFORMER CKT 1
FDNS	01ALL		0	15G	G14_002	TO->FROM	FPL SWITCH - WOODWARD 138KV CKT 1	153	0.04788	141.9472	WOODWARD - WOODWARD 69KV CKT 1
FDNS	01ALL		0	15G	G14_002	TO->FROM	FPL SWITCH - WOODWARD 138KV CKT 1	153	0.05336	141.546	DBL-G1114-WW
FDNS	01ALL		0	15G	G14_002	TO->FROM	FPL SWITCH - WOODWARD 138KV CKT 1	153	0.04304	141.167	FT SUPPLY - IODINE 138KV CKT 1
FDNS	06ALL		0	15G	G14_002	TO->FROM	FPL SWITCH - WOODWARD 138KV CKT 1	153	0.11147	140.8234	NORTHWEST - TATONGA7 345.00 345KV CKT 1
FDNS	01G14_002		0	15G	G14_002	TO->FROM	FPL SWITCH - WOODWARD 138KV CKT 1	153	0.05315	140.7917	DBL-HTCH-BVR
FDNS	01ALL		0	15G	G14_002	TO->FROM	FPL SWITCH - WOODWARD 138KV CKT 1	153	0.04641	140.5161	BORDER 7345.00 - WOODWARD DISTRICT EHV 345KV CKT 1
FDNS	01ALL		0	15G	G14_002	TO->FROM	FPL SWITCH - WOODWARD 138KV CKT 1	153	0.04304	139.7259	IODINE - MOORELAND 138KV CKT 1

SOLUTION	GROUP	SCENARIO	SEASON	SOURCE	DIRECTION	MONITORED ELEMENT	RATEB (MVA)	TDF	TC%LOADING (% MVA)	CONTINGENCY
FDNS	01ALL	0	15G	G14_002	TO->FROM	FPL SWITCH - WOODWARD 138KV CKT 1	153	0.04594	139.174	THISTLE7 345.00 - WICHITA 345KV CKT 1
FDNS	01ALL	0	15G	G14_002	TO->FROM	FPL SWITCH - WOODWARD 138KV CKT 1	153	0.04594	139.174	THISTLE7 345.00 - WICHITA 345KV CKT 2
FDNS	01G14_002	0	15G	G14_002	TO->FROM	FPL SWITCH - WOODWARD 138KV CKT 1	153	0.04243	138.1772	BASE CASE
FDNS	01G14_002	0	15G	G14_002	TO->FROM	FPL SWITCH - WOODWARD 138KV CKT 1	153	0.04243	138.1772	BASE CASE
FDNS	01G14_002	0	15G	G14_002	TO->FROM	FPL SWITCH - WOODWARD 138KV CKT 1	153	0.04949	138.0852	IODINE - WOODWARD EHV 138KV CKT 1
FDNS	06ALL	0	15G	G14_002	TO->FROM	FPL SWITCH - WOODWARD 138KV CKT 1	153	0.11147	137.6033	SPSCONT-05B
FDNS	01G14_002	0	15G	G14_002	TO->FROM	FPL SWITCH - WOODWARD 138KV CKT 1	153	0.04243	137.4195	GEN515787 1-OKLA WIND ENERGY CENTER
FDNS	06ALL	0	15G	G14_002	TO->FROM	FPL SWITCH - WOODWARD 138KV CKT 1	153	0.11147	137.0353	SPSCONT-04
FDNS	01G14_002	0	15G	G14_002	TO->FROM	FPL SWITCH - WOODWARD 138KV CKT 1	153	0.04481	136.7087	DEWEY - TALOGA 138KV CKT 1
FDNS	01G14_002	0	15G	G14_002	TO->FROM	FPL SWITCH - WOODWARD 138KV CKT 1	153	0.04949	136.2282	DEWEY - IODINE 138KV CKT 1
FDNS	01ALL	0	15G	G14_002	TO->FROM	FPL SWITCH - WOODWARD 138KV CKT 1	153	0.04267	135.7299	GEN515389 1-TLGWND-WTG1 0.7000
FDNS	1	0	15G	G14_002	TO->FROM	FPL SWITCH - WOODWARD 138KV CKT 1	153	0.0531	135.5149	DBL-HTCH-BVR
FDNS	06ALL	0	15G	G14_002	TO->FROM	FPL SWITCH - WOODWARD 138KV CKT 1	153	0.05517	135.3402	DBL-THIS-WIC
FDNS	01G14_002	0	15G	G14_002	TO->FROM	FPL SWITCH - WOODWARD 138KV CKT 1	153	0.05003	135.1808	THISTLE7 345.00 - WOODWARD DISTRICT EHV 345KV CKT 1
FDNS	01G14_002	0	15G	G14_002	TO->FROM	FPL SWITCH - WOODWARD 138KV CKT 1	153	0.05003	135.1808	THISTLE7 345.00 - WOODWARD DISTRICT EHV 345KV CKT 2
FDNS	01G14_002	0	15G	G14_002	TO->FROM	FPL SWITCH - WOODWARD 138KV CKT 1	153	0.04243	134.958	GEN520922 1-SLEEPING BEAR
FDNS	01ALL	0	15G	G14_002	TO->FROM	FPL SWITCH - WOODWARD 138KV CKT 1	153	0.04414	134.918	POTTER COUNTY INTERCHANGE (WAUK 90343-A) 345/230/13.2KV TRANSFORMER CKT 1
FDNS	01ALL	0	15G	G14_002	TO->FROM	FPL SWITCH - WOODWARD 138KV CKT 1	153	0.04355	134.6434	LAWTON EASTSIDE - OKLAUNION 345KV CKT 1
FDNS	01ALL	0	15G	G14_002	TO->FROM	FPL SWITCH - WOODWARD 138KV CKT 1	153	0.04267	134.3741	GEN514805 1-SOONER UNIT 1
FDNS	1	0	15G	G14_002	TO->FROM	FPL SWITCH - WOODWARD 138KV CKT 1	153	0.04238	134.0671	BASE CASE
FDNS	1	0	15G	G14_002	TO->FROM	FPL SWITCH - WOODWARD 138KV CKT 1	153	0.04238	134.0671	BASE CASE
FDNS	1	0	15G	G14_002	TO->FROM	FPL SWITCH - WOODWARD 138KV CKT 1	153	0.04943	133.8546	IODINE - WOODWARD EHV 138KV CKT 1
FDNS	1	0	15G	G14_002	TO->FROM	FPL SWITCH - WOODWARD 138KV CKT 1	153	0.04238	133.7532	GEN515787 1-OKLA WIND ENERGY CENTER
FDNS	01ALL	0	15G	G14_002	TO->FROM	FPL SWITCH - WOODWARD 138KV CKT 1	153	0.04267	133.7342	GEN520443 1-REDHIL-WTG1 12.000
FDNS	01G14_002	0	15G	G14_002	TO->FROM	FPL SWITCH - WOODWARD 138KV CKT 1	153	0.04761	133.4953	WOODWARD - WOODWARD 69KV CKT 1
FDNS	01ALL	0	15G	G14_002	TO->FROM	FPL SWITCH - WOODWARD 138KV CKT 1	153	0.04414	133.4798	SPP-SWPS-04
FDNS	01ALL	0	15G	G14_002	TO->FROM	FPL SWITCH - WOODWARD 138KV CKT 1	153	0.04414	133.4174	Hitchland Interchange - POTTER COUNTY INTERCHANGE 345KV CKT 1
FDNS	01G14_002	0	15G	G14_002	TO->FROM	FPL SWITCH - WOODWARD 138KV CKT 1	153	0.0462	133.1839	BORDER 7345.00 - TUCO INTERCHANGE 345KV CKT 1
FDNS	01ALL	0	15G	G14_002	TO->FROM	FPL SWITCH - WOODWARD 138KV CKT 1	153	0.0426	133.1597	ELK CITY 230KV - SWEETWATER 230KV CKT 1
FDNS	01ALL	0	15G	G14_002	TO->FROM	FPL SWITCH - WOODWARD 138KV CKT 1	153	0.0426	133.1559	ELK CITY 230KV (ELKCTY-6) 230/138/13.8KV TRANSFORMER CKT 1
FDNS	1	0	15G	G14_002	TO->FROM	FPL SWITCH - WOODWARD 138KV CKT 1	153	0.04476	132.9324	DEWEY - TALOGA 138KV CKT 1
FDNS	01ALL	0	15G	G14_002	TO->FROM	FPL SWITCH - WOODWARD 138KV CKT 1	153	0.04504	132.8488	FINNEY SWITCHING STATION - HOLCOMB 345KV CKT 1
FDNS	01ALL	0	15G	G14_002	TO->FROM	FPL SWITCH - WOODWARD 138KV CKT 1	153	0.04266	132.7059	GRAPEVINE INTERCHANGE - NICHOLS STATION 230KV CKT 1
FDNS	01ALL	0	15G	G14_002	TO->FROM	FPL SWITCH - WOODWARD 138KV CKT 1	153	0.04267	132.5069	GEN514806 1-SOONER UNIT 2
FDNS	01ALL	0	15G	G14_002	TO->FROM	FPL SWITCH - WOODWARD 138KV CKT 1	153	0.0435	132.18	G11-17T 345.00 - POST ROCK 345KV CKT 1
FDNS	06ALL	0	15G	G14_002	TO->FROM	FPL SWITCH - WOODWARD 138KV CKT 1	153	0.07148	132.0405	DBL-THIS-WWR
FDNS	1	0	15G	G14_002	TO->FROM	FPL SWITCH - WOODWARD 138KV CKT 1	153	0.04943	132.0074	DEWEY - IODINE 138KV CKT 1
FDNS	01ALL	0	15G	G14_002	TO->FROM	FPL SWITCH - WOODWARD 138KV CKT 1	153	0.04504	131.9369	SPP-SWPS-05
FDNS	01ALL	0	15G	G14_002	TO->FROM	FPL SWITCH - WOODWARD 138KV CKT 1	153	0.04504	131.8774	FINNEY SWITCHING STATION - Hitchland Interchange 345KV CKT 1
FDNS	01ALL	0	15G	G14_002	TO->FROM	FPL SWITCH - WOODWARD 138KV CKT 1	153	0.04433	131.7927	CARTER JCT - WOODWARD 69KV CKT 1
FDNS	01ALL	0	15G	G14_002	TO->FROM	FPL SWITCH - WOODWARD 138KV CKT 1	153	0.04291	131.6299	MOORELAND - TALOGA 138KV CKT 1
FDNS	01ALL	0	15G	G14_002	TO->FROM	FPL SWITCH - WOODWARD 138KV CKT 1	153	0.04414	131.5961	SPSCONT-02
FDNS	01ALL	0	15G	G14_002	TO->FROM	FPL SWITCH - WOODWARD 138KV CKT 1	153	0.0435	131.3743	G11-17T 345.00 - SPEARVILLE 345KV CKT 1
FDNS	01G14_002	0	15G	G14_002	TO->FROM	FPL SWITCH - WOODWARD 138KV CKT 1	153	0.05315	131.3689	DBL-BVR-G111
FDNS	1	0	15G	G14_002	TO->FROM	FPL SWITCH - WOODWARD 138KV CKT 1	153	0.04238	131.321	GEN520922 1-SLEEPING BEAR
FDNS	01ALL	0	15G	G14_002	TO->FROM	FPL SWITCH - WOODWARD 138KV CKT 1	153	0.04267	131.2535	GEN560773 1-BUFFER-WTG1 0.6000
FDNS	01ALL	0	15G	G14_002	TO->FROM	FPL SWITCH - WOODWARD 138KV CKT 1	153	0.04221	131.2428	WOODRING (WOODRNG2) 345/138/13.8KV TRANSFORMER CKT 1
FDNS	01ALL	0	15G	G14_002	TO->FROM	FPL SWITCH - WOODWARD 138KV CKT 1	153	0.04433	131.2066	CARTER JCT - MOORELAND 69KV CKT 1
FDNS	01ALL	0	15G	G14_002	TO->FROM	FPL SWITCH - WOODWARD 138KV CKT 1	153	0.04433	131.2066	MOORELAND (MOORELND) 138/69/13.8KV TRANSFORMER CKT 1
FDNS	01G14_002	0	15G	G14_002	TO->FROM	FPL SWITCH - WOODWARD 138KV CKT 1	153	0.0462	131.0668	BORDER 7345.00 - WOODWARD DISTRICT EHV 345KV CKT 1
FDNS	01ALL	0	15G	G14_002	TO->FROM	FPL SWITCH - WOODWARD 138KV CKT 1	153	0.04267	130.9732	GEN336821 1-GRAND GULF UNIT
FDNS	01ALL	0	15G	G14_002	TO->FROM	FPL SWITCH - WOODWARD 138KV CKT 1	153	0.04267	130.9408	GEN520947 1-HUGO1
FDNS	01ALL	0	15G	G14_002	TO->FROM	FPL SWITCH - WOODWARD 138KV CKT 1	153	0.04267	130.8456	GEN515226 1-MUSKOGEE 6G
FDNS	01ALL	0	15G	G14_002	TO->FROM	FPL SWITCH - WOODWARD 138KV CKT 1	153	0.04267	130.8215	GEN337911 1-ARKANSAS NUCLEAR ONE UNIT #2
FDNS	1	0	15G	G14_002	TO->FROM	FPL SWITCH - WOODWARD 138KV CKT 1	153	0.04998	130.7938	THISTLE7 345.00 - WOODWARD DISTRICT EHV 345KV CKT 1
FDNS	1	0	15G	G14_002	TO->FROM	FPL SWITCH - WOODWARD 138KV CKT 1	153	0.04998	130.7938	THISTLE7 345.00 - WOODWARD DISTRICT EHV 345KV CKT 2
FDNS	01ALL	0	15G	G14_002	TO->FROM	FPL SWITCH - WOODWARD 138KV CKT 1	153	0.04313	130.7669	SPP-MKEC-08
FDNS	01ALL	0	15G	G14_002	TO->FROM	FPL SWITCH - WOODWARD 138KV CKT 1	153	0.04267	130.7585	GEN509416 1-TURK GENERATION
FDNS	01ALL	0	15G	G14_002	TO->FROM	FPL SWITCH - WOODWARD 138KV CKT 1	153	0.04267	130.7498	GEN509403 1-PIRKEY GENERATION
FDNS	01ALL	0	15G	G14_002	TO->FROM	FPL SWITCH - WOODWARD 138KV CKT 1	153	0.04537	130.6042	CIMARRON - NORTHWEST 345KV CKT 1
FDNS	01ALL	0	15G	G14_002	TO->FROM	FPL SWITCH - WOODWARD 138KV CKT 1	153	0.04267	130.5661	GEN515225 1-MUSKOGEE 5G
FDNS	01ALL	0	15G	G14_002	TO->FROM	FPL SWITCH - WOODWARD 138KV CKT 1	153	0.04267	130.5658	GEN515223 1-MUSKOGEE 4G
FDNS	01ALL	0	15G	G14_002	TO->FROM	FPL SWITCH - WOODWARD 138KV CKT 1	153	0.0426	130.5652	GRAPEVINE INTERCHANGE - STATLINE INTERCHANGE 230KV CKT 1
FDNS	01ALL	0	15G	G14_002	TO->FROM	FPL SWITCH - WOODWARD 138KV CKT 1	153	0.04348	130.5607	MINGO - SETAB 345KV CKT 1
FDNS	01ALL	0	15G	G14_002	TO->FROM	FPL SWITCH - WOODWARD 138KV CKT 1	153	0.0426	130.5174	SPP-SWPS-02A

SOLUTION	GROUP	SCENARIO	SEASON	SOURCE	DIRECTION	MONITORED ELEMENT	RATEB (MVA)	TDF	TC%LOADING (% MVA)	CONTINGENCY
FDNS	01ALL	0	15G	G14_002	TO->FROM	FPL SWITCH - WOODWARD 138KV CKT 1	153	0.04267	130.5166	GEN336153 1-WATERFORD UNIT#3
FDNS	01ALL	0	15G	G14_002	TO->FROM	FPL SWITCH - WOODWARD 138KV CKT 1	153	0.04267	130.5055	GEN560687 1-G11-007 0.5750
FDNS	01ALL	0	15G	G14_002	TO->FROM	FPL SWITCH - WOODWARD 138KV CKT 1	153	0.04267	130.3708	GEN337910 1-ARKANSAS NUCLEAR ONE UNIT #1
FDNS	01ALL	0	15G	G14_002	TO->FROM	FPL SWITCH - WOODWARD 138KV CKT 1	153	0.04267	130.294	GEN501801 1-DOLET HILLS UNIT1
FDNS	01ALL	0	15G	G14_002	TO->FROM	FPL SWITCH - WOODWARD 138KV CKT 1	153	0.04267	130.2537	GEN509406 1-WELSH #3
FDNS	01ALL	0	15G	G14_002	TO->FROM	FPL SWITCH - WOODWARD 138KV CKT 1	153	0.04267	130.2535	GEN509404 1-WELSH #1
FDNS	01ALL	0	15G	G14_002	TO->FROM	FPL SWITCH - WOODWARD 138KV CKT 1	153	0.04301	130.2422	FLATRDG3 - HARPER 138KV CKT 1
FDNS	01ALL	0	15G	G14_002	TO->FROM	FPL SWITCH - WOODWARD 138KV CKT 1	153	0.04267	130.2016	GEN335831 1-RIVERBEND UNIT#1
FDNS	01ALL	0	15G	G14_002	TO->FROM	FPL SWITCH - WOODWARD 138KV CKT 1	153	0.04311	130.1462	FLATRDG3 - THISTLE4 138.00 138KV CKT 1
FDNS	01ALL	0	15G	G14_002	TO->FROM	FPL SWITCH - WOODWARD 138KV CKT 1	153	0.04311	130.146	THISTLE7 345.00 (THISTLE T1) 345/138/13.8KV TRANSFORMER CKT 1
FDNS	01G14_002	0	15G	G14_002	TO->FROM	FPL SWITCH - WOODWARD 138KV CKT 1	153	0.0457	130.073	THISTLE7 345.00 - WICHITA 345KV CKT 1
FDNS	01G14_002	0	15G	G14_002	TO->FROM	FPL SWITCH - WOODWARD 138KV CKT 1	153	0.0457	130.073	THISTLE7 345.00 - WICHITA 345KV CKT 2
FDNS	01ALL	0	15G	G14_002	TO->FROM	FPL SWITCH - WOODWARD 138KV CKT 1	153	0.04267	130.0528	GEN511839 1-NORTHEASTERN STATION #2
FDNS	01G14_002	0	15G	G14_002	TO->FROM	FPL SWITCH - WOODWARD 138KV CKT 1	153	0.04279	130.001	FT SUPPLY - IODINE 138KV CKT 1
FDNS	1	0	15G	G14_002	TO->FROM	FPL SWITCH - WOODWARD 138KV CKT 1	153	0.04755	129.5216	WOODWARD - WOODWARD 69KV CKT 1
FDNS	01ALL	0	15G	G14_002	TO->FROM	FPL SWITCH - WOODWARD 138KV CKT 1	153	0.03874	129.178	WOODWARD DISTRICT EHV (WWDEHV-T2) 345/138/13.8KV TRANSFORMER CKT 2
FDNS	1	0	15G	G14_002	TO->FROM	FPL SWITCH - WOODWARD 138KV CKT 1	153	0.04616	129.139	BORDER 7345.00 - TUCO INTERCHANGE 345KV CKT 1
FDNS	01ALL	0	15G	G14_002	TO->FROM	FPL SWITCH - WOODWARD 138KV CKT 1	153	0.03893	129.0643	WOODWARD DISTRICT EHV (WWDEHV) 345/138/13.8KV TRANSFORMER CKT 1
FDNS	06ALL	0	15G	G14_002	TO->FROM	FPL SWITCH - WOODWARD 138KV CKT 1	153	0.04666	128.8896	WOODWARD (WOODWRD2) 138/69/13.2KV TRANSFORMER CKT 1
FDNS	6	0	15G	G14_002	TO->FROM	FPL SWITCH - WOODWARD 138KV CKT 1	153	0.1116	128.635	SPSCONT-05B
FDNS	01G14_002	0	15G	G14_002	TO->FROM	FPL SWITCH - WOODWARD 138KV CKT 1	153	0.04279	128.5285	IODINE - MOORELAND 138KV CKT 1
FDNS	01G14_002	0	15G	G14_002	TO->FROM	FPL SWITCH - WOODWARD 138KV CKT 1	153	0.05315	128.4495	DBL-G1114-WW
FDNS	01ALL	0	15G	G14_002	TO->FROM	FPL SWITCH - WOODWARD 138KV CKT 1	153	0.04267	128.0262	NC1_GEN-NEBRASKA CITY 1
FDNS	6	0	15G	G14_002	TO->FROM	FPL SWITCH - WOODWARD 138KV CKT 1	153	0.1116	127.7672	SPSCONT-04
FDNS	01G14_002	0	15G	G14_002	TO->FROM	FPL SWITCH - WOODWARD 138KV CKT 1	153	0.04324	127.3883	LAWTON EASTSIDE - OKLAUNION 345KV CKT 1
FDNS	1	0	15G	G14_002	TO->FROM	FPL SWITCH - WOODWARD 138KV CKT 1	153	0.04616	127.0517	BORDER 7345.00 - WOODWARD DISTRICT EHV 345KV CKT 1
FDNS	01G14_002	0	15G	G14_002	TO->FROM	FPL SWITCH - WOODWARD 138KV CKT 1	153	0.04243	126.6989	GEN514805 1-SOONER UNIT 1
FDNS	1	0	15G	G14_002	TO->FROM	FPL SWITCH - WOODWARD 138KV CKT 1	153	0.0531	126.5654	DBL-BVR-G111
FDNS	01G14_002	0	15G	G14_002	TO->FROM	FPL SWITCH - WOODWARD 138KV CKT 1	153	0.0439	126.4703	POTTER COUNTY INTERCHANGE (WAUK 90343-A) 345/230/13.2KV TRANSFORMER CKT 1
FDNS	1	0	15G	G14_002	TO->FROM	FPL SWITCH - WOODWARD 138KV CKT 1	153	0.04274	126.338	FT SUPPLY - IODINE 138KV CKT 1
FDNS	01G14_002	0	15G	G14_002	TO->FROM	FPL SWITCH - WOODWARD 138KV CKT 1	153	0.04243	126.2184	GEN515389 1-TLGWND-WTG1 0.7000
FDNS	1	0	15G	G14_002	TO->FROM	FPL SWITCH - WOODWARD 138KV CKT 1	153	0.04565	126.1503	THISTLE7 345.00 - WICHITA 345KV CKT 1
FDNS	1	0	15G	G14_002	TO->FROM	FPL SWITCH - WOODWARD 138KV CKT 1	153	0.04565	126.1503	THISTLE7 345.00 - WICHITA 345KV CKT 2
FDNS	01ALL	0	15G	G14_002	TO->FROM	FPL SWITCH - WOODWARD 138KV CKT 1	153	0.04267	126.1344	WHITEHORSE 69.000 69KV SWITCHED SHUNT
FDNSLock	01ALL	0	15G	G14_002	TO->FROM	FPL SWITCH - WOODWARD 138KV CKT 1	153	0.04267	126.1344	WHITEHORSE 69.000 69KV SWITCHED SHUNT
FDNS	01ALL	0	15G	G14_002	TO->FROM	FPL SWITCH - WOODWARD 138KV CKT 1	153	0.04223	126.0618	DOVER - TWIN LAKES 138KV CKT 1
FDNS	01G14_002	0	15G	G14_002	TO->FROM	FPL SWITCH - WOODWARD 138KV CKT 1	153	0.04243	126.0444	GEN520443 1-REDHIL-WTG1 12.000
FDNS	01G14_002	0	15G	G14_002	TO->FROM	FPL SWITCH - WOODWARD 138KV CKT 1	153	0.04233	126.0319	ELK CITY 230KV - SWEETWATER 230KV CKT 1
FDNS	01G14_002	0	15G	G14_002	TO->FROM	FPL SWITCH - WOODWARD 138KV CKT 1	153	0.04233	126.0273	ELK CITY 230KV (ELKTY-6) 230/138/13.8KV TRANSFORMER CKT 1
FDNS	01ALL	0	15G	G14_002	TO->FROM	FPL SWITCH - WOODWARD 138KV CKT 1	153	0.04245	126.0045	BRANTLEY - MORWOOD 138KV CKT 1
FDNS	01ALL	0	15G	G14_002	TO->FROM	FPL SWITCH - WOODWARD 138KV CKT 1	153	0.04245	125.9959	MOREWOOD SW - MORWOOD 138KV CKT 1
FDNS	01ALL	0	15G	G14_002	TO->FROM	FPL SWITCH - WOODWARD 138KV CKT 1	153	0.04267	125.9681	GEN539670 4-JUDSON LARGE GENERATOR
FDNS	01ALL	0	15G	G14_002	TO->FROM	FPL SWITCH - WOODWARD 138KV CKT 1	153	0.04223	125.9513	DOVER - DOVER SW 138KV CKT 1
FDNS	01ALL	0	15G	G14_002	TO->FROM	FPL SWITCH - WOODWARD 138KV CKT 1	153	0.04267	125.9069	GEN527163 1-MUSTANG GEN #3 22 KV
FDNS	01ALL	0	15G	G14_002	TO->FROM	FPL SWITCH - WOODWARD 138KV CKT 1	153	0.0426	125.9057	CRESWELL - MIDLTNT4 138.00 138KV CKT 1
FDNS	01ALL	0	15G	G14_002	TO->FROM	FPL SWITCH - WOODWARD 138KV CKT 1	153	0.04267	125.9002	GEN527901 1-HOBBS PLANT #1 (CT)
FDNS	01ALL	0	15G	G14_002	TO->FROM	FPL SWITCH - WOODWARD 138KV CKT 1	153	0.04267	125.9002	GEN527902 1-HOBBS PLANT #2 (CT)
FDNS	01ALL	0	15G	G14_002	TO->FROM	FPL SWITCH - WOODWARD 138KV CKT 1	153	0.0426	125.7995	STATELINE INTERCHANGE - STLN-DEMARC6 230KV CKT 1
FDNS	01ALL	0	15G	G14_002	TO->FROM	FPL SWITCH - WOODWARD 138KV CKT 1	153	0.0426	125.7949	SPP-SWPS-02
FDNS	01ALL	0	15G	G14_002	TO->FROM	FPL SWITCH - WOODWARD 138KV CKT 1	153	0.0426	125.7883	STLN-DEMARC6 - SWEETWATER 230KV CKT 1
FDNS	01ALL	0	15G	G14_002	TO->FROM	FPL SWITCH - WOODWARD 138KV CKT 1	153	0.04266	125.7424	DELAWARE - NORTHEAST STATION 345KV CKT 1
FDNS	01ALL	0	15G	G14_002	TO->FROM	FPL SWITCH - WOODWARD 138KV CKT 1	153	0.04364	125.7321	SPP-SWPS-01
FDNS	01ALL	0	15G	G14_002	TO->FROM	FPL SWITCH - WOODWARD 138KV CKT 1	153	0.04267	125.638	GEN526331 1-JONES GEN #1 22 KV
FDNS	01ALL	0	15G	G14_002	TO->FROM	FPL SWITCH - WOODWARD 138KV CKT 1	153	0.04267	125.5812	GEN515449 1-CRSRDW11 0.6900
FDNS	01ALL	0	15G	G14_002	TO->FROM	FPL SWITCH - WOODWARD 138KV CKT 1	153	0.04216	125.5713	CLINTON AIR FORCE BASE TAP - HOBART JUNCTION 138KV CKT 1
FDNS	01ALL	0	15G	G14_002	TO->FROM	FPL SWITCH - WOODWARD 138KV CKT 1	153	0.04267	125.5697	GEN640011 2-GERALD GENTLEMAN STATION UNIT 2
FDNS	01ALL	0	15G	G14_002	TO->FROM	FPL SWITCH - WOODWARD 138KV CKT 1	153	0.04249	125.5397	BUFFALO - WEST 69KV CKT 1
FDNS	01ALL	0	15G	G14_002	TO->FROM	FPL SWITCH - WOODWARD 138KV CKT 1	153	0.04267	125.5182	GEN640010 1-GERALD GENTLEMAN STATION UNIT 1
FDNS	01ALL	0	15G	G14_002	TO->FROM	FPL SWITCH - WOODWARD 138KV CKT 1	153	0.04267	125.4694	GEN515450 1-CRSRDW21 0.6900
FDNS	01ALL	0	15G	G14_002	TO->FROM	FPL SWITCH - WOODWARD 138KV CKT 1	153	0.04267	125.4549	GEN635214 4-NEAL UNIT 4
FDNS	01ALL	0	15G	G14_002	TO->FROM	FPL SWITCH - WOODWARD 138KV CKT 1	153	0.04216	125.3729	CLINTON AIR FORCE BASE TAP - ELK CITY 138KV CKT 1
FDNS	01ALL	0	15G	G14_002	TO->FROM	FPL SWITCH - WOODWARD 138KV CKT 1	153	0.04267	125.2885	GEN527166 1-MUSTANG_6 118.000
FDNS	01ALL	0	15G	G14_002	TO->FROM	FPL SWITCH - WOODWARD 138KV CKT 1	153	0.04267	125.2616	GEN635023 3-WALTER SCOTT UNIT 3

SOLUTION	GROUP	SCENARIO	SEASON	SOURCE	DIRECTION	MONITORED ELEMENT	RATEB (MVA)	TDF	TC%LOADING (% MVA)	CONTINGENCY	
FDNS	01ALL		0	15G	G14_002	TO->FROM	FPL SWITCH - WOODWARD 138KV CKT 1	153	0.04355	125.2591	OKLAUNION - TUCO INTERCHANGE 345KV CKT 1
FDNS	01G14_002		0	15G	G14_002	TO->FROM	FPL SWITCH - WOODWARD 138KV CKT 1	153	0.04241	125.1104	GRAPEVINE INTERCHANGE - NICHOLS STATION 230KV CKT 1
FDNS	01ALL		0	15G	G14_002	TO->FROM	FPL SWITCH - WOODWARD 138KV CKT 1	153	0.04233	125.0908	CLINTON JUNCTION - ELK CITY 138KV CKT 1
FDNS	01ALL		0	15G	G14_002	TO->FROM	FPL SWITCH - WOODWARD 138KV CKT 1	153	0.04267	125.0245	GEN635213 3-NEAL UNIT 3
FDNS	01G14_002		0	15G	G14_002	TO->FROM	FPL SWITCH - WOODWARD 138KV CKT 1	153	0.0439	125.0037	SPP-SWPS-04
FDNS	01ALL		0	15G	G14_002	TO->FROM	FPL SWITCH - WOODWARD 138KV CKT 1	153	0.04249	124.9581	BUFBEAR2 - BUFFALO 69KV CKT 1
FDNS	01ALL		0	15G	G14_002	TO->FROM	FPL SWITCH - WOODWARD 138KV CKT 1	153	0.04232	124.9518	RANCHRD7 345.00 - SOONER 345KV CKT 1
FDNS	01ALL		0	15G	G14_002	TO->FROM	FPL SWITCH - WOODWARD 138KV CKT 1	153	0.04232	124.9451	OPENSKY7 345.00 - RANCHRD7 345.00 345KV CKT 1
FDNS	01G14_002		0	15G	G14_002	TO->FROM	FPL SWITCH - WOODWARD 138KV CKT 1	153	0.0439	124.9419	Hitchland Interchange - POTTER COUNTY INTERCHANGE 345KV CKT 1
FDNS	1		0	15G	G14_002	TO->FROM	FPL SWITCH - WOODWARD 138KV CKT 1	153	0.04274	124.8703	IODINE - MOORELAND 138KV CKT 1
FDNS	01ALL		0	15G	G14_002	TO->FROM	FPL SWITCH - WOODWARD 138KV CKT 1	153	0.04242	124.7681	KNOBHILL (KNOBHIL4) 138/69/13.2KV TRANSFORMER CKT 1
FDNS	01G14_002		0	15G	G14_002	TO->FROM	FPL SWITCH - WOODWARD 138KV CKT 1	153	0.04243	124.7518	GEN514806 1-SOONER UNIT 2
FDNS	01ALL		0	15G	G14_002	TO->FROM	FPL SWITCH - WOODWARD 138KV CKT 1	153	0.04242	124.7282	KNOBHILL - NOEL_SW 138.00 138KV CKT 1
FDNS	01ALL		0	15G	G14_002	TO->FROM	FPL SWITCH - WOODWARD 138KV CKT 1	153	0.04267	124.4852	GEN527903 1-HOBBS PLANT #3 (ST)
FDNS	01ALL		0	15G	G14_002	TO->FROM	FPL SWITCH - WOODWARD 138KV CKT 1	153	0.04267	124.3062	GEN562078 1-G11_051_3 0.6900
FDNS	01ALL		0	15G	G14_002	TO->FROM	FPL SWITCH - WOODWARD 138KV CKT 1	153	0.04267	124.2868	GEN562472 1-G13_035_3 0.6900
FDNS	01ALL		0	15G	G14_002	TO->FROM	FPL SWITCH - WOODWARD 138KV CKT 1	153	0.04267	124.1847	GEN635024 4-WALTER SCOTT UNIT 4
FDNS	01ALL		0	15G	G14_002	TO->FROM	FPL SWITCH - WOODWARD 138KV CKT 1	153	0.0386	124.1164	SAND RDG_138138.00 - WAKITA_138 138.00 138KV CKT 1
FDNS	01ALL		0	15G	G14_002	TO->FROM	FPL SWITCH - WOODWARD 138KV CKT 1	153	0.04232	124.1128	OPENSKY7 345.00 - ROSE HILL 345KV CKT 1
FDNS	01G14_002		0	15G	G14_002	TO->FROM	FPL SWITCH - WOODWARD 138KV CKT 1	153	0.04482	124.0565	FINNEY SWITCHING STATION - HOLCOMB 345KV CKT 1
FDNS	01G14_002		0	15G	G14_002	TO->FROM	FPL SWITCH - WOODWARD 138KV CKT 1	153	0.04196	124.015	WOODRING (WOODRNG2) 345/138/13.8KV TRANSFORMER CKT 1
FDNS	1		0	15G	G14_002	TO->FROM	FPL SWITCH - WOODWARD 138KV CKT 1	153	0.04317	123.8579	LAWTON EASTSIDE - OKLAUNION 345KV CKT 1
FDNS	01G14_002		0	15G	G14_002	TO->FROM	FPL SWITCH - WOODWARD 138KV CKT 1	153	0.04327	123.8415	G11-17T 345.00 - POST ROCK 345KV CKT 1
FDNS	1		0	15G	G14_002	TO->FROM	FPL SWITCH - WOODWARD 138KV CKT 1	153	0.0531	123.6425	DBL-G1114-WW
FDNS	01ALL		0	15G	G14_002	TO->FROM	FPL SWITCH - WOODWARD 138KV CKT 1	153	0.04267	123.3438	GEN659118 1-LARAMIE RIVER UNIT1
FDNS	01G14_002		0	15G	G14_002	TO->FROM	FPL SWITCH - WOODWARD 138KV CKT 1	153	0.04233	123.3287	SPP-SWPS-02A
FDNS	01G14_002		0	15G	G14_002	TO->FROM	FPL SWITCH - WOODWARD 138KV CKT 1	153	0.04408	123.3169	CARTER JCT - WOODWARD 69KV CKT 1
FDNS	01G14_002		0	15G	G14_002	TO->FROM	FPL SWITCH - WOODWARD 138KV CKT 1	153	0.04243	123.172	GEN336821 1-GRAND GULF UNIT
FDNS	01G14_002		0	15G	G14_002	TO->FROM	FPL SWITCH - WOODWARD 138KV CKT 1	153	0.04243	123.1437	GEN520947 1-HUGO1
FDNS	01G14_002		0	15G	G14_002	TO->FROM	FPL SWITCH - WOODWARD 138KV CKT 1	153	0.04233	123.1398	GRAPEVINE INTERCHANGE - STATELINE INTERCHANGE 230KV CKT 1
FDNS	01G14_002		0	15G	G14_002	TO->FROM	FPL SWITCH - WOODWARD 138KV CKT 1	153	0.0439	123.1185	SPSCONT-02
FDNS	1		0	15G	G14_002	TO->FROM	FPL SWITCH - WOODWARD 138KV CKT 1	153	0.04238	123.1069	GEN514805 1-SOONER UNIT 1
FDNS	01G14_002		0	15G	G14_002	TO->FROM	FPL SWITCH - WOODWARD 138KV CKT 1	153	0.04513	123.0929	CIMARRON - NORTHWEST 345KV CKT 1
FDNS	01G14_002		0	15G	G14_002	TO->FROM	FPL SWITCH - WOODWARD 138KV CKT 1	153	0.04482	123.0403	SPP-SWPS-05
FDNS	01G14_002		0	15G	G14_002	TO->FROM	FPL SWITCH - WOODWARD 138KV CKT 1	153	0.04327	123.0338	G11-17T 345.00 - SPEARVILLE 345KV CKT 1
FDNS	01G14_002		0	15G	G14_002	TO->FROM	FPL SWITCH - WOODWARD 138KV CKT 1	153	0.04243	123.0317	GEN509416 1-TURK GENERATION
FDNS	01G14_002		0	15G	G14_002	TO->FROM	FPL SWITCH - WOODWARD 138KV CKT 1	153	0.04243	123.0262	GEN337911 1-ARKANSAS NUCLEAR ONE UNIT #2
FDNS	01G14_002		0	15G	G14_002	TO->FROM	FPL SWITCH - WOODWARD 138KV CKT 1	153	0.04243	123.024	GEN515226 1-MUSKOGEE 6G
FDNS	01G14_002		0	15G	G14_002	TO->FROM	FPL SWITCH - WOODWARD 138KV CKT 1	153	0.04243	123.0148	GEN509403 1-PIRKEY GENERATION
FDNS	01G14_002		0	15G	G14_002	TO->FROM	FPL SWITCH - WOODWARD 138KV CKT 1	153	0.04482	122.9856	FINNEY SWITCHING STATION - Hitchland Interchange 345KV CKT 1
FDNS	01ALL		0	15G	G14_002	TO->FROM	FPL SWITCH - WOODWARD 138KV CKT 1	153	0.04267	122.9399	GEN523971 1-HARRINGTON GEN #1 24 KV
FDNS	01ALL		0	15G	G14_002	TO->FROM	FPL SWITCH - WOODWARD 138KV CKT 1	153	0.04267	122.9398	GEN523973 1-HARRINGTON GEN #3 24 KV
FDNS	01ALL		0	15G	G14_002	TO->FROM	FPL SWITCH - WOODWARD 138KV CKT 1	153	0.04267	122.9395	GEN523972 1-HARRINGTON GEN #2 24 KV
FDNS	01ALL		0	15G	G14_002	TO->FROM	FPL SWITCH - WOODWARD 138KV CKT 1	153	0.04267	122.9285	GEN531447 1-HOLCOMB GENERATOR
FDNS	01ALL		0	15G	G14_002	TO->FROM	FPL SWITCH - WOODWARD 138KV CKT 1	153	0.04267	122.7892	GEN560648 1-G0721_G1402 0.6900
FDNS	01G14_002		0	15G	G14_002	TO->FROM	FPL SWITCH - WOODWARD 138KV CKT 1	153	0.04268	122.7876	MOORELAND - TALOGA 138KV CKT 1
FDNS	01G14_002		0	15G	G14_002	TO->FROM	FPL SWITCH - WOODWARD 138KV CKT 1	153	0.04243	122.7356	GEN515225 1-MUSKOGEE 5G
FDNS	01G14_002		0	15G	G14_002	TO->FROM	FPL SWITCH - WOODWARD 138KV CKT 1	153	0.04243	122.7353	GEN515223 1-MUSKOGEE 4G
FDNS	01G14_002		0	15G	G14_002	TO->FROM	FPL SWITCH - WOODWARD 138KV CKT 1	153	0.04408	122.7313	CARTER JCT - MOORELAND 69KV CKT 1
FDNS	01G14_002		0	15G	G14_002	TO->FROM	FPL SWITCH - WOODWARD 138KV CKT 1	153	0.04408	122.7311	MOORELAND (MOORELND) 138/69/13.8KV TRANSFORMER CKT 1
FDNS	1		0	15G	G14_002	TO->FROM	FPL SWITCH - WOODWARD 138KV CKT 1	153	0.04384	122.7236	POTTER COUNTY INTERCHANGE (WAUK 90343-A) 345/230/13.2KV TRANSFORMER CKT 1
FDNS	01G14_002		0	15G	G14_002	TO->FROM	FPL SWITCH - WOODWARD 138KV CKT 1	153	0.04243	122.7154	GEN560773 1-BUFBER-WTG1 0.6000
FDNS	01G14_002		0	15G	G14_002	TO->FROM	FPL SWITCH - WOODWARD 138KV CKT 1	153	0.04289	122.7061	SPP-MKEC-08
FDNS	01G14_002		0	15G	G14_002	TO->FROM	FPL SWITCH - WOODWARD 138KV CKT 1	153	0.04243	122.7	GEN336153 1-WATERFORD UNIT#3
FDNS	1		0	15G	G14_002	TO->FROM	FPL SWITCH - WOODWARD 138KV CKT 1	153	0.04238	122.6812	GEN515389 1-TLGWND-WTG1 0.7000
FDNS	6		0	15G	G14_002	TO->FROM	FPL SWITCH - WOODWARD 138KV CKT 1	153	0.04674	122.617	WOODWARD (WOODWRD2) 138/69/13.2KV TRANSFORMER CKT 1
FDNS	01G14_002		0	15G	G14_002	TO->FROM	FPL SWITCH - WOODWARD 138KV CKT 1	153	0.04243	122.5571	GEN337910 1-ARKANSAS NUCLEAR ONE UNIT #1
FDNS	01G14_002		0	15G	G14_002	TO->FROM	FPL SWITCH - WOODWARD 138KV CKT 1	153	0.04243	122.4888	GEN509406 1-WELSH #3
FDNS	01G14_002		0	15G	G14_002	TO->FROM	FPL SWITCH - WOODWARD 138KV CKT 1	153	0.04243	122.4886	GEN509404 1-WELSH #1
FDNS	01G14_002		0	15G	G14_002	TO->FROM	FPL SWITCH - WOODWARD 138KV CKT 1	153	0.04243	122.4845	GEN501801 1-DOLET HILLS UNIT1
FDNS	1		0	15G	G14_002	TO->FROM	FPL SWITCH - WOODWARD 138KV CKT 1	153	0.04238	122.4756	GEN520443 1-REDHIL-WTG1 12.000
FDNS	01G14_002		0	15G	G14_002	TO->FROM	FPL SWITCH - WOODWARD 138KV CKT 1	153	0.04243	122.3727	GEN335831 1-RIVERBEND UNIT#1
FDNS	01G14_002		0	15G	G14_002	TO->FROM	FPL SWITCH - WOODWARD 138KV CKT 1	153	0.04325	122.2804	MINGO - SETAB 345KV CKT 1
FDNS	01G14_002		0	15G	G14_002	TO->FROM	FPL SWITCH - WOODWARD 138KV CKT 1	153	0.04276	122.2558	FLATRDG3 - HARPER 138KV CKT 1
FDNS	01G14_002		0	15G	G14_002	TO->FROM	FPL SWITCH - WOODWARD 138KV CKT 1	153	0.04243	122.2507	GEN511839 1-NORTHEASTERN STATION #2

SOLUTION	GROUP	SCENARIO	SEASON	SOURCE	DIRECTION	MONITORED ELEMENT	RATEB (MVA)	TDF	TC%LOADING (% MVA)	CONTINGENCY
FDNS	01G14_002	0	15G	G14_002	TO->FROM	FPL SWITCH - WOODWARD 138KV CKT 1	153	0.04243	122.2437	GEN511840 1-NORTHEASTERN STATION #3
FDNS	01G14_002	0	15G	G14_002	TO->FROM	FPL SWITCH - WOODWARD 138KV CKT 1	153	0.04243	122.2113	GEN509394 1-FLINT CREEK
FDNS	01G14_002	0	15G	G14_002	TO->FROM	FPL SWITCH - WOODWARD 138KV CKT 1	153	0.04243	122.1992	GEN511841 1-NORTHEASTERN STATION #4
FDNS	1	0	15G	G14_002	TO->FROM	FPL SWITCH - WOODWARD 138KV CKT 1	153	0.04228	122.1964	ELK CITY 230KV - SWEETWATER 230KV CKT 1
FDNS	1	0	15G	G14_002	TO->FROM	FPL SWITCH - WOODWARD 138KV CKT 1	153	0.04228	122.1873	ELK CITY 230KV (ELKCTY-6) 230/138/13.8KV TRANSFORMER CKT 1
FDNS	01G14_002	0	15G	G14_002	TO->FROM	FPL SWITCH - WOODWARD 138KV CKT 1	153	0.04243	122.1784	GEN560687 1-G11-007 0.5750
FDNS	01ALL	0	15G	G14_002	TO->FROM	FPL SWITCH - WOODWARD 138KV CKT 1	153	0.03963	122.0999	SANDY_CN_138138.00 - WAKITA_138 138.00 138KV CKT 1
FDNS	06ALL	0	15G	G14_002	TO->FROM	FPL SWITCH - WOODWARD 138KV CKT 1	153	0.04846	122.0829	IODINE - WOODWARD EHV 138KV CKT 1
FDNS	1	0	15G	G14_002	TO->FROM	FPL SWITCH - WOODWARD 138KV CKT 1	153	0.04235	121.5428	GRAPEVINE INTERCHANGE - NICHOLS STATION 230KV CKT 1
FDNS	1	0	15G	G14_002	TO->FROM	FPL SWITCH - WOODWARD 138KV CKT 1	153	0.04384	121.2695	SPP-SWPS-04
FDNS	01ALL	0	15G	G14_002	TO->FROM	FPL SWITCH - WOODWARD 138KV CKT 1	153	0.04035	121.2634	ELLIS 4 138.00 - RED HILLS WIND 138KV CKT 1
FDNS	1	0	15G	G14_002	TO->FROM	FPL SWITCH - WOODWARD 138KV CKT 1	153	0.04384	121.2022	Hitchland Interchange - POTTER COUNTY INTERCHANGE 345KV CKT 1
FDNS	1	0	15G	G14_002	TO->FROM	FPL SWITCH - WOODWARD 138KV CKT 1	153	0.04238	121.1672	GEN514806 1-SOONER UNIT 2
FDNS	06ALL	0	15G	G14_002	TO->FROM	FPL SWITCH - WOODWARD 138KV CKT 1	153	0.04121	121.1556	ELK CITY 230KV (ELKCTY-6) 230/138/13.8KV TRANSFORMER CKT 1
FDNS	06ALL	0	15G	G14_002	TO->FROM	FPL SWITCH - WOODWARD 138KV CKT 1	153	0.04121	121.1538	ELK CITY 230KV - SWEETWATER 230KV CKT 1
FDNS	01ALL	0	15G	G14_002	TO->FROM	FPL SWITCH - WOODWARD 138KV CKT 1	153	0.04184	120.7705	VIOLA 7 345.00 - WICHITA 345KV CKT 1
FDNS	6	0	15G	G14_002	TO->FROM	FPL SWITCH - WOODWARD 138KV CKT 1	153	0.07169	120.719	DBL-THIS-WWR
FDNS	01ALL	0	15G	G14_002	TO->FROM	FPL SWITCH - WOODWARD 138KV CKT 1	153	0.04145	120.5778	EL RENO - ROMAN NOSE 138KV CKT 1
FDNS	01ALL	0	15G	G14_002	TO->FROM	FPL SWITCH - WOODWARD 138KV CKT 1	153	0.04267	120.5146	GEN515397 1-OUSPR1 0.6900
FDNS	1	0	15G	G14_002	TO->FROM	FPL SWITCH - WOODWARD 138KV CKT 1	153	0.0419	120.5044	WOODRING (WOODRNG2) 345/138/13.8KV TRANSFORMER CKT 1
FDNS	06ALL	0	15G	G14_002	TO->FROM	FPL SWITCH - WOODWARD 138KV CKT 1	153	0.04846	120.2912	DEWEY - IODINE 138KV CKT 1
FDNS	01ALL	0	15G	G14_002	TO->FROM	FPL SWITCH - WOODWARD 138KV CKT 1	153	0.04145	120.2215	ROMAN NOSE - SOUTHWARD 138KV CKT 1
FDNS	01ALL	0	15G	G14_002	TO->FROM	FPL SWITCH - WOODWARD 138KV CKT 1	153	0.04267	120.1968	GEN560175 1-G0744_G1403 0.6900
FDNS	1	0	15G	G14_002	TO->FROM	FPL SWITCH - WOODWARD 138KV CKT 1	153	0.04477	120.164	FINNEY SWITCHING STATION - HOLCOMB 345KV CKT 1
FDNS	1	0	15G	G14_002	TO->FROM	FPL SWITCH - WOODWARD 138KV CKT 1	153	0.04322	120.1378	G11-17T 345.00 - POST ROCK 345KV CKT 1
FDNS	01G14_002	0	15G	G14_002	TO->FROM	FPL SWITCH - WOODWARD 138KV CKT 1	153	0.04243	120.1148	NC1_GEN-NEBRASKA CITY 1
FDNS	01ALL	0	15G	G14_002	TO->FROM	FPL SWITCH - WOODWARD 138KV CKT 1	153	0.04267	119.8496	GEN525561 1-TOLK GEN #1 24 KV
FDNS	01ALL	0	15G	G14_002	TO->FROM	FPL SWITCH - WOODWARD 138KV CKT 1	153	0.03808	119.6839	WOODWARD - WOODWARD EHV 138KV CKT 1
FDNS	1	0	15G	G14_002	TO->FROM	FPL SWITCH - WOODWARD 138KV CKT 1	153	0.04403	119.6137	CARTER JCT - WOODWARD 69KV CKT 1
FDNS	1	0	15G	G14_002	TO->FROM	FPL SWITCH - WOODWARD 138KV CKT 1	153	0.04228	119.5927	GRAPEVINE INTERCHANGE - STATELINE INTERCHANGE 230KV CKT 1
FDNS	1	0	15G	G14_002	TO->FROM	FPL SWITCH - WOODWARD 138KV CKT 1	153	0.04238	119.5882	GEN336821 1-GRAND GULF UNIT
FDNS	01ALL	0	15G	G14_002	TO->FROM	FPL SWITCH - WOODWARD 138KV CKT 1	153	0.04145	119.5819	DEWEY - SOUTHWARD 138KV CKT 1
FDNS	1	0	15G	G14_002	TO->FROM	FPL SWITCH - WOODWARD 138KV CKT 1	153	0.04238	119.5549	GEN520947 1-HUGO1
FDNS	1	0	15G	G14_002	TO->FROM	FPL SWITCH - WOODWARD 138KV CKT 1	153	0.04228	119.5012	SPP-SWPS-02A
FDNS	1	0	15G	G14_002	TO->FROM	FPL SWITCH - WOODWARD 138KV CKT 1	153	0.04238	119.4564	GEN509416 1-TURK GENERATION
FDNS	01ALL	0	15G	G14_002	TO->FROM	FPL SWITCH - WOODWARD 138KV CKT 1	153	0.04035	119.4498	ELLIS 4 138.00 - MOREWOOD SW 138KV CKT 1
FDNS	1	0	15G	G14_002	TO->FROM	FPL SWITCH - WOODWARD 138KV CKT 1	153	0.04238	119.4436	GEN337911 1-ARKANSAS NUCLEAR ONE UNIT #2
FDNS	1	0	15G	G14_002	TO->FROM	FPL SWITCH - WOODWARD 138KV CKT 1	153	0.04238	119.4383	GEN509403 1-PIRKEY GENERATION
FDNS	1	0	15G	G14_002	TO->FROM	FPL SWITCH - WOODWARD 138KV CKT 1	153	0.04238	119.4363	GEN515226 1-MUSKOGEE 6G
FDNS	1	0	15G	G14_002	TO->FROM	FPL SWITCH - WOODWARD 138KV CKT 1	153	0.04384	119.3907	SPSCONT-02
FDNS	1	0	15G	G14_002	TO->FROM	FPL SWITCH - WOODWARD 138KV CKT 1	153	0.04322	119.3456	G11-17T 345.00 - SPEARVILLE 345KV CKT 1
FDNS	1	0	15G	G14_002	TO->FROM	FPL SWITCH - WOODWARD 138KV CKT 1	153	0.04508	119.2435	CIMARRON - NORTHWEST 345KV CKT 1
FDNS	1	0	15G	G14_002	TO->FROM	FPL SWITCH - WOODWARD 138KV CKT 1	153	0.04263	119.219	MOORELAND - TALOGA 138KV CKT 1
FDNS	1	0	15G	G14_002	TO->FROM	FPL SWITCH - WOODWARD 138KV CKT 1	153	0.04238	119.1494	GEN515225 1-MUSKOGEE 5G
FDNS	1	0	15G	G14_002	TO->FROM	FPL SWITCH - WOODWARD 138KV CKT 1	153	0.04238	119.1491	GEN515223 1-MUSKOGEE 4G
FDNS	1	0	15G	G14_002	TO->FROM	FPL SWITCH - WOODWARD 138KV CKT 1	153	0.04238	119.131	GEN560773 1-BUFBER-WTG1 0.6000
FDNS	1	0	15G	G14_002	TO->FROM	FPL SWITCH - WOODWARD 138KV CKT 1	153	0.04238	119.1179	GEN336153 1-WATERFORD UNIT#3
FDNS	1	0	15G	G14_002	TO->FROM	FPL SWITCH - WOODWARD 138KV CKT 1	153	0.04477	119.1163	FINNEY SWITCHING STATION - Hitchland Interchange 345KV CKT 1
FDNS	1	0	15G	G14_002	TO->FROM	FPL SWITCH - WOODWARD 138KV CKT 1	153	0.04284	119.0749	SPP-MKEC-08
FDNS	01ALL	0	15G	G14_002	TO->FROM	FPL SWITCH - WOODWARD 138KV CKT 1	153	0.04267	119.0653	GEN560222 1-G07-62-2 0.6900
FDNS	01ALL	0	15G	G14_002	TO->FROM	FPL SWITCH - WOODWARD 138KV CKT 1	153	0.04267	119.0653	GEN560223 1-G07-62-3 0.6900
FDNS	01ALL	0	15G	G14_002	TO->FROM	FPL SWITCH - WOODWARD 138KV CKT 1	153	0.04267	119.0653	GEN560224 1-G07-62-4 0.6900
FDNS	01ALL	0	15G	G14_002	TO->FROM	FPL SWITCH - WOODWARD 138KV CKT 1	153	0.04267	119.0652	GEN560221 1-G07-62-1 0.6900
FDNS	1	0	15G	G14_002	TO->FROM	FPL SWITCH - WOODWARD 138KV CKT 1	153	0.04403	119.032	CARTER JCT - MOORELAND 69KV CKT 1
FDNS	1	0	15G	G14_002	TO->FROM	FPL SWITCH - WOODWARD 138KV CKT 1	153	0.04403	119.0318	MOORELAND (MOORELND) 138/69/13.8KV TRANSFORMER CKT 1
FDNS	1	0	15G	G14_002	TO->FROM	FPL SWITCH - WOODWARD 138KV CKT 1	153	0.04477	118.9886	SPP-SWPS-05
FDNS	1	0	15G	G14_002	TO->FROM	FPL SWITCH - WOODWARD 138KV CKT 1	153	0.04238	118.9759	GEN337910 1-ARKANSAS NUCLEAR ONE UNIT #1
FDNS	1	0	15G	G14_002	TO->FROM	FPL SWITCH - WOODWARD 138KV CKT 1	153	0.04238	118.9129	GEN509406 1-WELSH #3
FDNS	1	0	15G	G14_002	TO->FROM	FPL SWITCH - WOODWARD 138KV CKT 1	153	0.04238	118.9127	GEN509404 1-WELSH #1
FDNS	1	0	15G	G14_002	TO->FROM	FPL SWITCH - WOODWARD 138KV CKT 1	153	0.04238	118.9028	GEN501801 1-DOLET HILLS UNIT1
FDNS	1	0	15G	G14_002	TO->FROM	FPL SWITCH - WOODWARD 138KV CKT 1	153	0.04238	118.7916	GEN335831 1-RIVERBEND UNIT#1
FDNS	1	0	15G	G14_002	TO->FROM	FPL SWITCH - WOODWARD 138KV CKT 1	153	0.04238	118.6793	GEN511839 1-NORTHEASTERN STATION #2
FDNS	1	0	15G	G14_002	TO->FROM	FPL SWITCH - WOODWARD 138KV CKT 1	153	0.04238	118.6724	GEN511840 1-NORTHEASTERN STATION #3
FDNS	1	0	15G	G14_002	TO->FROM	FPL SWITCH - WOODWARD 138KV CKT 1	153	0.04271	118.6483	FLATRDG3 - HARPER 138KV CKT 1
FDNS	1	0	15G	G14_002	TO->FROM	FPL SWITCH - WOODWARD 138KV CKT 1	153	0.04238	118.6389	GEN509394 1-FLINT CREEK
FDNS	1	0	15G	G14_002	TO->FROM	FPL SWITCH - WOODWARD 138KV CKT 1	153	0.04238	118.6279	GEN511841 1-NORTHEASTERN STATION #4

SOLUTION	GROUP	SCENARIO	SEASON	SOURCE	DIRECTION	MONITORED ELEMENT	RATEB (MVA)	TDF	TC%LOADING (% MVA)	CONTINGENCY	
FDNS	1		0	15G	G14_002	TO->FROM	FPL SWITCH - WOODWARD 138KV CKT 1	153	0.04238	118.6003	GEN560687 1-G11-007 0.5750
FDNS	1		0	15G	G14_002	TO->FROM	FPL SWITCH - WOODWARD 138KV CKT 1	153	0.0432	118.5888	MINGO - SETAB 345KV CKT 1
FDNS	06ALL		0	15G	G14_002	TO->FROM	FPL SWITCH - WOODWARD 138KV CKT 1	153	0.04121	118.2708	SPP-SWPS-02A
FDNS	01G14_002		0	15G	G14_002	TO->FROM	FPL SWITCH - WOODWARD 138KV CKT 1	153	0.04243	118.1322	GEN560121 1-G08-47 0.5750
FDNS	01G14_002		0	15G	G14_002	TO->FROM	FPL SWITCH - WOODWARD 138KV CKT 1	153	0.04225	118.112	BUFFALO - WEST 69KV CKT 1
FDNS	01G14_002		0	15G	G14_002	TO->FROM	FPL SWITCH - WOODWARD 138KV CKT 1	153	0.04333	118.1099	SPP-SWPS-01
FDNS	01G14_002		0	15G	G14_002	TO->FROM	FPL SWITCH - WOODWARD 138KV CKT 1	153	0.04243	118.0992	GEN562432 1-G13-030 0.6900
FDNS	01G14_002		0	15G	G14_002	TO->FROM	FPL SWITCH - WOODWARD 138KV CKT 1	153	0.04243	118.0602	GEN645012 2-NEBRASKA CITY 2
FDNS	01G14_002		0	15G	G14_002	TO->FROM	FPL SWITCH - WOODWARD 138KV CKT 1	153	0.04234	118.0285	CRESWELL - MIDLTNT4 138.00 138KV CKT 1
FDNS	01G14_002		0	15G	G14_002	TO->FROM	FPL SWITCH - WOODWARD 138KV CKT 1	153	0.04225	117.9678	FREEDOM - WEST 69KV CKT 1
FDNS	06ALL		0	15G	G14_002	TO->FROM	FPL SWITCH - WOODWARD 138KV CKT 1	153	0.04121	117.9659	GRAPEVINE INTERCHANGE - STATELINE INTERCHANGE 230KV CKT 1
FDNS	01G14_002		0	15G	G14_002	TO->FROM	FPL SWITCH - WOODWARD 138KV CKT 1	153	0.04243	117.9536	GEN527902 1-HOBBS PLANT #2 (CT)
FDNS	01G14_002		0	15G	G14_002	TO->FROM	FPL SWITCH - WOODWARD 138KV CKT 1	153	0.04243	117.9535	GEN527901 1-HOBBS PLANT #1 (CT)
FDNS	01G14_002		0	15G	G14_002	TO->FROM	FPL SWITCH - WOODWARD 138KV CKT 1	153	0.04243	117.9286	GEN539670 4-JUDSON LARGE GENERATOR
FDNS	01G14_002		0	15G	G14_002	TO->FROM	FPL SWITCH - WOODWARD 138KV CKT 1	153	0.04243	117.8779	GEN527163 1-MUSTANG GEN #3 22 KV
FDNS	01G14_002		0	15G	G14_002	TO->FROM	FPL SWITCH - WOODWARD 138KV CKT 1	153	0.04193	117.8035	CLINTON AIR FORCE BASE TAP - HOBART JUNCTION 138KV CKT 1
FDNS	01G14_002		0	15G	G14_002	TO->FROM	FPL SWITCH - WOODWARD 138KV CKT 1	153	0.04241	117.8032	DELAWARE - NORTHEAST STATION 345KV CKT 1
FDNS	09ALL		0	15G	G14_002	TO->FROM	FPL SWITCH - WOODWARD 138KV CKT 1	153	0.11192	117.7	NORTHWEST - TATONGA7 345.00 345KV CKT 1
FDNS	01G14_002		0	15G	G14_002	TO->FROM	FPL SWITCH - WOODWARD 138KV CKT 1	153	0.04324	117.6906	OKLAUNION - TUCO INTERCHANGE 345KV CKT 1
FDNS	01ALL		0	15G	G14_002	TO->FROM	FPL SWITCH - WOODWARD 138KV CKT 1	153	0.03981	117.6865	DOVER SW - OKEENE 138KV CKT 1
FDNS	01G14_002		0	15G	G14_002	TO->FROM	FPL SWITCH - WOODWARD 138KV CKT 1	153	0.04243	117.6676	GEN515449 1-CRSRDW11 0.6900
FDNS	01G14_002		0	15G	G14_002	TO->FROM	FPL SWITCH - WOODWARD 138KV CKT 1	153	0.04243	117.6643	GEN526331 1-JONES GEN #1 22 KV
FDNS	06ALL		0	15G	G14_002	TO->FROM	FPL SWITCH - WOODWARD 138KV CKT 1	153	0.04159	117.6269	BASE CASE
FDNS	06ALL		0	15G	G14_002	TO->FROM	FPL SWITCH - WOODWARD 138KV CKT 1	153	0.04159	117.6269	BASE CASE
FDNS	01G14_002		0	15G	G14_002	TO->FROM	FPL SWITCH - WOODWARD 138KV CKT 1	153	0.04225	117.6043	BUFBEAR2 - BUFFALO 69KV CKT 1
FDNS	01G14_002		0	15G	G14_002	TO->FROM	FPL SWITCH - WOODWARD 138KV CKT 1	153	0.04193	117.6029	CLINTON AIR FORCE BASE TAP - ELK CITY 138KV CKT 1
FDNS	01G14_002		0	15G	G14_002	TO->FROM	FPL SWITCH - WOODWARD 138KV CKT 1	153	0.04243	117.5706	GEN640011 2-GERALD GENTLEMAN STATION UNIT 2
FDNS	06ALL		0	15G	G14_002	TO->FROM	FPL SWITCH - WOODWARD 138KV CKT 1	153	0.04211	117.5677	SPSCONT-01
FDNS	01G14_002		0	15G	G14_002	TO->FROM	FPL SWITCH - WOODWARD 138KV CKT 1	153	0.04243	117.5631	GEN526332 1-JONES GEN #2 21 KV
FDNS	01G14_002		0	15G	G14_002	TO->FROM	FPL SWITCH - WOODWARD 138KV CKT 1	153	0.04243	117.5619	GEN515450 1-CRSRDW21 0.6900
FDNS	01G14_002		0	15G	G14_002	TO->FROM	FPL SWITCH - WOODWARD 138KV CKT 1	153	0.04218	117.5126	KNOBHILL (KNOBHILL) 138/69/13.2KV TRANSFORMER CKT 1
FDNS	01G14_002		0	15G	G14_002	TO->FROM	FPL SWITCH - WOODWARD 138KV CKT 1	153	0.04218	117.4758	KNOBHILL - NOEL_SW 138.00 138KV CKT 1
FDNS	01G14_002		0	15G	G14_002	TO->FROM	FPL SWITCH - WOODWARD 138KV CKT 1	153	0.04243	117.4476	GEN635214 4-NEAL UNIT 4
FDNS	01G14_002		0	15G	G14_002	TO->FROM	FPL SWITCH - WOODWARD 138KV CKT 1	153	0.04243	117.4118	GEN640010 1-GERALD GENTLEMAN STATION UNIT 1
FDNS	01G14_002		0	15G	G14_002	TO->FROM	FPL SWITCH - WOODWARD 138KV CKT 1	153	0.04204	117.3818	OPENSKY7 345.00 - RANCHR7 345.00 345KV CKT 1
FDNS	01G14_002		0	15G	G14_002	TO->FROM	FPL SWITCH - WOODWARD 138KV CKT 1	153	0.04204	117.3799	RANCHR7 345.00 - SOONER 345KV CKT 1
FDNS	01G14_002		0	15G	G14_002	TO->FROM	FPL SWITCH - WOODWARD 138KV CKT 1	153	0.04243	117.326	GEN527166 1-MUSTANG 6 118.000
FDNS	01G14_002		0	15G	G14_002	TO->FROM	FPL SWITCH - WOODWARD 138KV CKT 1	153	0.04209	117.3019	CLINTON JUNCTION - ELK CITY 138KV CKT 1
FDNS	01G14_002		0	15G	G14_002	TO->FROM	FPL SWITCH - WOODWARD 138KV CKT 1	153	0.04243	117.2331	GEN635023 3-WALTER SCOTT UNIT 3
FDNS	01G14_002		0	15G	G14_002	TO->FROM	FPL SWITCH - WOODWARD 138KV CKT 1	153	0.03939	117.1459	SANDY_CN 138138.00 - WAKITA 138 138.00 138KV CKT 1
FDNS	01G14_002		0	15G	G14_002	TO->FROM	FPL SWITCH - WOODWARD 138KV CKT 1	153	0.04243	117.1003	GEN562078 1-G11_051_3 0.6900
FDNS	01G14_002		0	15G	G14_002	TO->FROM	FPL SWITCH - WOODWARD 138KV CKT 1	153	0.04243	117.0873	GEN562472 1-G13_035_3 0.6900
FDNS	01G14_002		0	15G	G14_002	TO->FROM	FPL SWITCH - WOODWARD 138KV CKT 1	153	0.04243	116.9921	GEN635213 3-NEAL UNIT 3
FDNS	01ALL		0	15G	G14_002	TO->FROM	FPL SWITCH - WOODWARD 138KV CKT 1	153	0.03963	116.8422	BYRON 138 138.00 - C_CITY 138 138.00 138KV CKT 1
FDNS	1		0	15G	G14_002	TO->FROM	FPL SWITCH - WOODWARD 138KV CKT 1	153	0.04238	116.542	NC1_GEN-NEBRASKA CITY 1
FDNS	01G14_002		0	15G	G14_002	TO->FROM	FPL SWITCH - WOODWARD 138KV CKT 1	153	0.04204	116.4945	OPENSKY7 345.00 - ROSE HILL 345KV CKT 1
FDNS	01G14_002		0	15G	G14_002	TO->FROM	FPL SWITCH - WOODWARD 138KV CKT 1	153	0.04243	116.491	GEN527903 1-HOBBS PLANT #3 (ST)
FDNS	01ALL		0	15G	G14_002	TO->FROM	FPL SWITCH - WOODWARD 138KV CKT 1	153	0.03963	116.2393	C_CITY 138 138.00 - NOEL_SW 138.00 138KV CKT 1
FDNS	01G14_002		0	15G	G14_002	TO->FROM	FPL SWITCH - WOODWARD 138KV CKT 1	153	0.04243	116.1152	GEN635024 4-WALTER SCOTT UNIT 4
FDNS	06ALL		0	15G	G14_002	TO->FROM	FPL SWITCH - WOODWARD 138KV CKT 1	153	0.04666	115.9994	WOODWARD - WOODWARD 69KV CKT 1
FDNS	01G14_002		0	15G	G14_002	TO->FROM	FPL SWITCH - WOODWARD 138KV CKT 1	153	0.04243	115.6302	GEN659118 1-LARAMIE RIVER UNIT1
FDNS	01ALL		0	15G	G14_002	TO->FROM	FPL SWITCH - WOODWARD 138KV CKT 1	153	0.04267	115.4956	GEN515365 1-CENT 21 0.7000
FDNS	6		0	15G	G14_002	TO->FROM	FPL SWITCH - WOODWARD 138KV CKT 1	153	0.04856	115.4621	IODINE - WOODWARD EHV 138KV CKT 1
FDNS	01G14_002		0	15G	G14_002	TO->FROM	FPL SWITCH - WOODWARD 138KV CKT 1	153	0.04012	115.3502	ELLIS 4 138.00 - RED HILLS WIND 138KV CKT 1
FDNS	06ALL		0	15G	G14_002	TO->FROM	FPL SWITCH - WOODWARD 138KV CKT 1	153	0.04211	115.3056	OKLAUNION - TUCO INTERCHANGE 345KV CKT 1
FDNS	06ALL		0	15G	G14_002	TO->FROM	FPL SWITCH - WOODWARD 138KV CKT 1	153	0.04221	115.0508	SPP-SWPS-01
FDNS	01G14_002		0	15G	G14_002	TO->FROM	FPL SWITCH - WOODWARD 138KV CKT 1	153	0.04243	114.9176	GEN523971 1-HARRINGTON GEN #1 24 KV
FDNS	01G14_002		0	15G	G14_002	TO->FROM	FPL SWITCH - WOODWARD 138KV CKT 1	153	0.04243	114.9176	GEN523973 1-HARRINGTON GEN #3 24 KV
FDNS	01G14_002		0	15G	G14_002	TO->FROM	FPL SWITCH - WOODWARD 138KV CKT 1	153	0.04243	114.9172	GEN523972 1-HARRINGTON GEN #2 24 KV
FDNS	9		0	15G	G14_002	TO->FROM	FPL SWITCH - WOODWARD 138KV CKT 1	153	0.11188	114.9127	NORTHWEST - TATONGA7 345.00 345KV CKT 1
FDNS	01ALL		0	15G	G14_002	TO->FROM	FPL SWITCH - WOODWARD 138KV CKT 1	153	0.04267	114.8087	GEN515393 1-OGEWND2G
FDNS	1		0	15G	G14_002	TO->FROM	FPL SWITCH - WOODWARD 138KV CKT 1	153	0.04326	114.6046	SPP-SWPS-01
FDNS	01G14_002		0	15G	G14_002	TO->FROM	FPL SWITCH - WOODWARD 138KV CKT 1	153	0.04243	114.6006	GEN531447 1-HOLCOMB GENERATOR
FDNS	09ALL		0	15G	G14_002	TO->FROM	FPL SWITCH - WOODWARD 138KV CKT 1	153	0.11192	114.5399	SPSCONT-05B
FDNS	1		0	15G	G14_002	TO->FROM	FPL SWITCH - WOODWARD 138KV CKT 1	153	0.04229	114.4835	CRESWELL - MIDLTNT4 138.00 138KV CKT 1
FDNS	1		0	15G	G14_002	TO->FROM	FPL SWITCH - WOODWARD 138KV CKT 1	153	0.04238	114.4715	GEN645012 2-NEBRASKA CITY 2

SOLUTION	GROUP	SCENARIO	SEASON	SOURCE	DIRECTION	MONITORED ELEMENT	RATEB (MVA)	TDF	TC%LOADING (% MVA)	CONTINGENCY	
FDNS	1		0	15G	G14_002	TO->FROM	FPL SWITCH - WOODWARD 138KV CKT 1	153	0.0422	114.4099	FREEDOM - WEST 69KV CKT 1
FDNS	1		0	15G	G14_002	TO->FROM	FPL SWITCH - WOODWARD 138KV CKT 1	153	0.04238	114.3499	GEN539670 4-JUDSON LARGE GENERATOR
FDNS	1		0	15G	G14_002	TO->FROM	FPL SWITCH - WOODWARD 138KV CKT 1	153	0.04319	114.3227	CIMARRON - MATHWSN7 345.00 345KV CKT 1
FDNS	01G14_002		0	15G	G14_002	TO->FROM	FPL SWITCH - WOODWARD 138KV CKT 1	153	0.04243	114.2773	GEN515397 1-OUSPR1 0.6900
FDNS	1		0	15G	G14_002	TO->FROM	FPL SWITCH - WOODWARD 138KV CKT 1	153	0.04188	114.2655	CLINTON AIR FORCE BASE TAP - HOBART JUNCTION 138KV CKT 1
FDNS	1		0	15G	G14_002	TO->FROM	FPL SWITCH - WOODWARD 138KV CKT 1	153	0.04235	114.2495	DELAWARE - NORTHEAST STATION 345KV CKT 1
FDNS	1		0	15G	G14_002	TO->FROM	FPL SWITCH - WOODWARD 138KV CKT 1	153	0.04317	114.2011	OKLAUNION - TUCO INTERCHANGE 345KV CKT 1
FDNS	01G14_002		0	15G	G14_002	TO->FROM	FPL SWITCH - WOODWARD 138KV CKT 1	153	0.04122	114.1215	EL RENO - ROMAN NOSE 138KV CKT 1
FDNS	1		0	15G	G14_002	TO->FROM	FPL SWITCH - WOODWARD 138KV CKT 1	153	0.04188	114.0649	CLINTON AIR FORCE BASE TAP - ELK CITY 138KV CKT 1
FDNS	1		0	15G	G14_002	TO->FROM	FPL SWITCH - WOODWARD 138KV CKT 1	153	0.0422	114.0541	BUFBEAR2 - BUFFALO 69KV CKT 1
FDNS	1		0	15G	G14_002	TO->FROM	FPL SWITCH - WOODWARD 138KV CKT 1	153	0.04238	114.0016	GEN640011 2-GERALD GENTLEMAN STATION UNIT 2
FDNS	09ALL		0	15G	G14_002	TO->FROM	FPL SWITCH - WOODWARD 138KV CKT 1	153	0.11192	113.9834	SPSCONT-04
FDNS	1		0	15G	G14_002	TO->FROM	FPL SWITCH - WOODWARD 138KV CKT 1	153	0.04213	113.9603	KNOBHILL (KNOBHILA) 138/69/13.2KV TRANSFORMER CKT 1
FDNS	1		0	15G	G14_002	TO->FROM	FPL SWITCH - WOODWARD 138KV CKT 1	153	0.04213	113.9232	KNOBHILL - NOEL_SW 138.00 138KV CKT 1
FDNS	1		0	15G	G14_002	TO->FROM	FPL SWITCH - WOODWARD 138KV CKT 1	153	0.04198	113.9053	OPENSKY7 345.00 - RANCHR7 345.00 345KV CKT 1
FDNS	1		0	15G	G14_002	TO->FROM	FPL SWITCH - WOODWARD 138KV CKT 1	153	0.04198	113.9044	RANCHR7 345.00 - SOONER 345KV CKT 1
FDNS	1		0	15G	G14_002	TO->FROM	FPL SWITCH - WOODWARD 138KV CKT 1	153	0.04238	113.8829	GEN635214 4-NEAL UNIT 4
FDNS	01ALL		0	15G	G14_002	TO->FROM	FPL SWITCH - WOODWARD 138KV CKT 1	153	0.04267	113.8614	GEN562023 1-G11_020_3 0.6900
FDNS	01ALL		0	15G	G14_002	TO->FROM	FPL SWITCH - WOODWARD 138KV CKT 1	153	0.04267	113.8614	GEN562026 1-G11_019_3 0.6900
FDNS	1		0	15G	G14_002	TO->FROM	FPL SWITCH - WOODWARD 138KV CKT 1	153	0.03934	113.8437	SANDY_CN_138138.00 - WAKITA_138 138.00 138KV CKT 1
FDNS	01G14_002		0	15G	G14_002	TO->FROM	FPL SWITCH - WOODWARD 138KV CKT 1	153	0.04122	113.8069	ROMAN NOSE - SOUTHARD 138KV CKT 1
FDNS	1		0	15G	G14_002	TO->FROM	FPL SWITCH - WOODWARD 138KV CKT 1	153	0.04205	113.7484	CLINTON JUNCTION - ELK CITY 138KV CKT 1
FDNS	01ALL		0	15G	G14_002	TO->FROM	FPL SWITCH - WOODWARD 138KV CKT 1	153	0.03824	113.707	IMO TAP - MEN TAP 138KV CKT 1
FDNS	1		0	15G	G14_002	TO->FROM	FPL SWITCH - WOODWARD 138KV CKT 1	153	0.04238	113.6694	GEN635023 3-WALTER SCOTT UNIT 3
FDNS	6		0	15G	G14_002	TO->FROM	FPL SWITCH - WOODWARD 138KV CKT 1	153	0.04856	113.5641	DEWEY - IODINE 138KV CKT 1
FDNS	06ALL		0	15G	G14_002	TO->FROM	FPL SWITCH - WOODWARD 138KV CKT 1	153	0.04144	113.4921	GRAPEVINE INTERCHANGE - NICHOLS STATION 230KV CKT 1
FDNS	01G14_002		0	15G	G14_002	TO->FROM	FPL SWITCH - WOODWARD 138KV CKT 1	153	0.04012	113.4853	ELLIS 4 138.00 - MOREWOOD SW 138KV CKT 1
FDNS	09ALL		0	15G	G14_002	TO->FROM	FPL SWITCH - WOODWARD 138KV CKT 1	153	0.04695	113.4442	WOODWARD (WOODWRD2) 138/69/13.2KV TRANSFORMER CKT 1
FDNS	1		0	15G	G14_002	TO->FROM	FPL SWITCH - WOODWARD 138KV CKT 1	153	0.04238	113.4282	GEN635213 3-NEAL UNIT 3
FDNS	1		0	15G	G14_002	TO->FROM	FPL SWITCH - WOODWARD 138KV CKT 1	153	0.04238	113.315	GEN527166 1-MUSTANG_6 118.000
FDNS	01G14_002		0	15G	G14_002	TO->FROM	FPL SWITCH - WOODWARD 138KV CKT 1	153	0.04151	113.3002	VIOLA 7 345.00 - WICHITA 345KV CKT 1
FDNS	01G14_002		0	15G	G14_002	TO->FROM	FPL SWITCH - WOODWARD 138KV CKT 1	153	0.04122	113.1352	DEWEY - SOUTHARD 138KV CKT 1
FDNS	1		0	15G	G14_002	TO->FROM	FPL SWITCH - WOODWARD 138KV CKT 1	153	0.04238	113.0934	GEN562078 1-G11_051_3 0.6900
FDNS	1		0	15G	G14_002	TO->FROM	FPL SWITCH - WOODWARD 138KV CKT 1	153	0.04238	113.0807	GEN562472 1-G13_035_3 0.6900
FDNS	01ALL		0	15G	G14_002	TO->FROM	FPL SWITCH - WOODWARD 138KV CKT 1	153	0.03824	113.0576	CLEOPLT4 138.00 - MEN TAP 138KV CKT 1
FDNS	1		0	15G	G14_002	TO->FROM	FPL SWITCH - WOODWARD 138KV CKT 1	153	0.04198	113.0045	OPENSKY7 345.00 - ROSE HILL 345KV CKT 1
FDNS	06ALL		0	15G	G14_002	TO->FROM	FPL SWITCH - WOODWARD 138KV CKT 1	153	0.04121	112.8339	STLN-DEMARC6 - SWEETWATER 230KV CKT 1
FDNS	06ALL		0	15G	G14_002	TO->FROM	FPL SWITCH - WOODWARD 138KV CKT 1	153	0.04121	112.8153	STATELINE INTERCHANGE - STLN-DEMARC6 230KV CKT 1
FDNS	06ALL		0	15G	G14_002	TO->FROM	FPL SWITCH - WOODWARD 138KV CKT 1	153	0.04121	112.812	SP-SPWS-02
FDNS	1		0	15G	G14_002	TO->FROM	FPL SWITCH - WOODWARD 138KV CKT 1	153	0.04238	112.554	GEN635024 4-WALTER SCOTT UNIT 4
FDNS	01G14_002		0	15G	G14_002	TO->FROM	FPL SWITCH - WOODWARD 138KV CKT 1	153	0.04243	112.5184	GEN560221 1-G07-62-1 0.6900
FDNS	01G14_002		0	15G	G14_002	TO->FROM	FPL SWITCH - WOODWARD 138KV CKT 1	153	0.04243	112.5184	GEN560222 1-G07-62-2 0.6900
FDNS	01G14_002		0	15G	G14_002	TO->FROM	FPL SWITCH - WOODWARD 138KV CKT 1	153	0.04243	112.5184	GEN560223 1-G07-62-3 0.6900
FDNS	01G14_002		0	15G	G14_002	TO->FROM	FPL SWITCH - WOODWARD 138KV CKT 1	153	0.04243	112.5184	GEN560224 1-G07-62-4 0.6900
FDNS	01ALL		0	15G	G14_002	TO->FROM	FPL SWITCH - WOODWARD 138KV CKT 1	153	0.03824	112.5064	CLEO CORNER - CLEOPLT4 138.00 138KV CKT 1
FDNS	1		0	15G	G14_002	TO->FROM	FPL SWITCH - WOODWARD 138KV CKT 1	153	0.04238	112.4838	GEN527903 1-HOBBS PLANT #3 (ST)
FDNS	1		0	15G	G14_002	TO->FROM	FPL SWITCH - WOODWARD 138KV CKT 1	153	0.04007	112.0219	ELLIS 4 138.00 - RED HILLS WIND 138KV CKT 1
FDNS	01G14_002		0	15G	G14_002	TO->FROM	FPL SWITCH - WOODWARD 138KV CKT 1	153	0.03939	111.952	BYRON_138 138.00 - SANDY_CN_138138.00 138KV CKT 1
FDNS	1		0	15G	G14_002	TO->FROM	FPL SWITCH - WOODWARD 138KV CKT 1	153	0.04238	111.9267	GEN560648 1-G0721_G1402 0.6900
FDNS	01G14_002		0	15G	G14_002	TO->FROM	FPL SWITCH - WOODWARD 138KV CKT 1	153	0.03959	111.8398	DOVER SW - OKEENE 138KV CKT 1
FDNS	01G14_002		0	15G	G14_002	TO->FROM	FPL SWITCH - WOODWARD 138KV CKT 1	153	0.04243	111.7903	GEN560175 1-G0744_G1403 0.6900
FDNS	9		0	15G	G14_002	TO->FROM	FPL SWITCH - WOODWARD 138KV CKT 1	153	0.11188	111.7518	SPSCONT-05B
FDNS	1		0	15G	G14_002	TO->FROM	FPL SWITCH - WOODWARD 138KV CKT 1	153	0.04238	111.6116	GEN659118 1-LARAMIE RIVER UNIT1
FDNS	9		0	15G	G14_002	TO->FROM	FPL SWITCH - WOODWARD 138KV CKT 1	153	0.04693	111.3642	WOODWARD (WOODWRD2) 138/69/13.2KV TRANSFORMER CKT 1
FDNS	6		0	15G	G14_002	TO->FROM	FPL SWITCH - WOODWARD 138KV CKT 1	153	0.04166	111.3446	BASE CASE
FDNS	6		0	15G	G14_002	TO->FROM	FPL SWITCH - WOODWARD 138KV CKT 1	153	0.04166	111.3446	BASE CASE
FDNS	01G14_002		0	15G	G14_002	TO->FROM	FPL SWITCH - WOODWARD 138KV CKT 1	153	0.04243	111.238	GEN525561 1-TOLK GEN #1 24 KV
FDNS	9		0	15G	G14_002	TO->FROM	FPL SWITCH - WOODWARD 138KV CKT 1	153	0.11188	111.2006	SPSCONT-04
FDNS	01G14_002		0	15G	G14_002	TO->FROM	FPL SWITCH - WOODWARD 138KV CKT 1	153	0.03939	111.0112	BYRON_138 138.00 - C_CITY_138 138.00 138KV CKT 1
FDNS	1		0	15G	G14_002	TO->FROM	FPL SWITCH - WOODWARD 138KV CKT 1	153	0.04238	110.9158	GEN523971 1-HARRINGTON GEN #1 24 KV
FDNS	1		0	15G	G14_002	TO->FROM	FPL SWITCH - WOODWARD 138KV CKT 1	153	0.04238	110.9157	GEN523973 1-HARRINGTON GEN #3 24 KV
FDNS	1		0	15G	G14_002	TO->FROM	FPL SWITCH - WOODWARD 138KV CKT 1	153	0.04238	110.9154	GEN523972 1-HARRINGTON GEN #2 24 KV
FDNS	01G14_002		0	15G	G14_002	TO->FROM	FPL SWITCH - WOODWARD 138KV CKT 1	153	0.03786	110.6684	WOODWARD - WOODWARD EHV 138KV CKT 1
FDNS	1		0	15G	G14_002	TO->FROM	FPL SWITCH - WOODWARD 138KV CKT 1	153	0.04117	110.6551	EL RENO - ROMAN NOSE 138KV CKT 1
FDNS	1		0	15G	G14_002	TO->FROM	FPL SWITCH - WOODWARD 138KV CKT 1	153	0.04238	110.5331	GEN531447 1-HOLCOMB GENERATOR
FDNS	09ALL		0	15G	G14_002	TO->FROM	FPL SWITCH - WOODWARD 138KV CKT 1	153	0.05561	110.494	DBL-THIS-WIC

SOLUTION	GROUP	SCENARIO	SEASON	SOURCE	DIRECTION	MONITORED ELEMENT	RATEB (MVA)	TDF	TC%LOADING (% MVA)	CONTINGENCY
FDNS	01G14_002	0	15G	G14_002	TO->FROM	FPL SWITCH - WOODWARD 138KV CKT 1	153	0.03939	110.4043	C_CITY_138 138.00 - NOEL_SW 138.00 138KV CKT 1
FDNS	1	0	15G	G14_002	TO->FROM	FPL SWITCH - WOODWARD 138KV CKT 1	153	0.04117	110.3402	ROMAN NOSE - SOUTHARD 138KV CKT 1
FDNS	1	0	15G	G14_002	TO->FROM	FPL SWITCH - WOODWARD 138KV CKT 1	153	0.04238	110.2761	GEN515397 1-OUSPRT 1 0.6900
FDNS	1	0	15G	G14_002	TO->FROM	FPL SWITCH - WOODWARD 138KV CKT 1	153	0.04007	110.1715	ELLIS 4 138.00 - MOREWOOD SW 138KV CKT 1
FDNS	06ALL	0	15G	G14_002	TO->FROM	FPL SWITCH - WOODWARD 138KV CKT 1	153	0.04481	109.9437	THISTLE7 345.00 - WICHITA 345KV CKT 1
FDNS	06ALL	0	15G	G14_002	TO->FROM	FPL SWITCH - WOODWARD 138KV CKT 1	153	0.04481	109.9437	THISTLE7 345.00 - WICHITA 345KV CKT 2
FDNS	1	0	15G	G14_002	TO->FROM	FPL SWITCH - WOODWARD 138KV CKT 1	153	0.04144	109.9291	VIOLA 7 345.00 - WICHITA 345KV CKT 1
FDNS	1	0	15G	G14_002	TO->FROM	FPL SWITCH - WOODWARD 138KV CKT 1	153	0.04238	109.8825	GEN560175 1-G0744_G1403 0.6900
FDNS	06ALL	0	15G	G14_002	TO->FROM	FPL SWITCH - WOODWARD 138KV CKT 1	153	0.04916	109.6864	THISTLE7 345.00 - WOODWARD DISTRICT EHV 345KV CKT 1
FDNS	06ALL	0	15G	G14_002	TO->FROM	FPL SWITCH - WOODWARD 138KV CKT 1	153	0.04916	109.6864	THISTLE7 345.00 - WOODWARD DISTRICT EHV 345KV CKT 2
FDNS	06ALL	0	15G	G14_002	TO->FROM	FPL SWITCH - WOODWARD 138KV CKT 1	153	0.04397	109.6852	DEWEY - TALOGA 138KV CKT 1
FDNS	1	0	15G	G14_002	TO->FROM	FPL SWITCH - WOODWARD 138KV CKT 1	153	0.04117	109.6709	DEWEY - SOUTHARD 138KV CKT 1
FDNS	01ALL	0	15G	G14_002	TO->FROM	FPL SWITCH - WOODWARD 138KV CKT 1	153	0.03883	109.665	CEDARDALE - OKEENE 138KV CKT 1
FDNS	06ALL	0	15G	G14_002	TO->FROM	FPL SWITCH - WOODWARD 138KV CKT 1	153	0.03758	109.5789	SAND RDG_138138.00 - WAKITA_138 138.00 138KV CKT 1
FDNS	6	0	15G	G14_002	TO->FROM	FPL SWITCH - WOODWARD 138KV CKT 1	153	0.04674	109.4564	WOODWARD - WOODWARD 69KV CKT 1
FDNS	01G14_002	0	15G	G14_002	TO->FROM	FPL SWITCH - WOODWARD 138KV CKT 1	153	0.04243	109.3966	GEN515393 1-OGEWND2G
FDNS	01G14_002	0	15G	G14_002	TO->FROM	FPL SWITCH - WOODWARD 138KV CKT 1	153	0.03803	108.9952	IMO TAP - MEN TAP 138KV CKT 1
FDNS	1	0	15G	G14_002	TO->FROM	FPL SWITCH - WOODWARD 138KV CKT 1	153	0.04238	108.9718	GEN560221 1-G07-62-1 0.6900
FDNS	1	0	15G	G14_002	TO->FROM	FPL SWITCH - WOODWARD 138KV CKT 1	153	0.04238	108.9718	GEN560222 1-G07-62-2 0.6900
FDNS	1	0	15G	G14_002	TO->FROM	FPL SWITCH - WOODWARD 138KV CKT 1	153	0.04238	108.9718	GEN560223 1-G07-62-3 0.6900
FDNS	1	0	15G	G14_002	TO->FROM	FPL SWITCH - WOODWARD 138KV CKT 1	153	0.04238	108.9718	GEN560224 1-G07-62-4 0.6900
FDNS	01ALL	0	15G	G14_002	TO->FROM	FPL SWITCH - WOODWARD 138KV CKT 1	153	0.03883	108.8465	CEDARDALE - MOORELAND 138KV CKT 1
FDNS	06ALL	0	15G	G14_002	TO->FROM	FPL SWITCH - WOODWARD 138KV CKT 1	153	0.04159	108.8051	GEN520443 1-REDHIL-WTG1 12.000
FDNS	06ALL	0	15G	G14_002	TO->FROM	FPL SWITCH - WOODWARD 138KV CKT 1	153	0.04159	108.7883	GEN514805 1-SOONER UNIT 1
FDNS	1	0	15G	G14_002	TO->FROM	FPL SWITCH - WOODWARD 138KV CKT 1	153	0.03934	108.6807	BYRON_138 138.00 - SANDY_CN_138138.00 138KV CKT 1
FDNS	01G14_002	0	15G	G14_002	TO->FROM	FPL SWITCH - WOODWARD 138KV CKT 1	153	0.04243	108.6509	GEN562023 1-G11_020_3 0.6900
FDNS	01G14_002	0	15G	G14_002	TO->FROM	FPL SWITCH - WOODWARD 138KV CKT 1	153	0.04243	108.6509	GEN562026 1-G11_019_3 0.6900
FDNS	1	0	15G	G14_002	TO->FROM	FPL SWITCH - WOODWARD 138KV CKT 1	153	0.03955	108.5147	DOVER SW - OKEENE 138KV CKT 1
FDNS	01G14_002	0	15G	G14_002	TO->FROM	FPL SWITCH - WOODWARD 138KV CKT 1	153	0.03803	108.3587	CLEOPLT4 138.00 - MEN TAP 138KV CKT 1
FDNS	9	0	15G	G14_002	TO->FROM	FPL SWITCH - WOODWARD 138KV CKT 1	153	0.05559	108.1119	DBL-THIS-WIC
FDNS	01G14_002	0	15G	G14_002	TO->FROM	FPL SWITCH - WOODWARD 138KV CKT 1	153	0.03803	107.8207	CLEO CORNER - CLEOPLT4 138.00 138KV CKT 1
FDNS	1	0	15G	G14_002	TO->FROM	FPL SWITCH - WOODWARD 138KV CKT 1	153	0.03934	107.7492	BYRON_138 138.00 - C_CITY_138 138.00 138KV CKT 1
FDNS	1	0	15G	G14_002	TO->FROM	FPL SWITCH - WOODWARD 138KV CKT 1	153	0.04238	107.6885	GEN525561 1-TOLK GEN #1 24 KV
FDNS	1	0	15G	G14_002	TO->FROM	FPL SWITCH - WOODWARD 138KV CKT 1	153	0.03781	107.4613	WOODWARD - WOODWARD EHV 138KV CKT 1
FDNS	01ALL	0	15G	G14_002	TO->FROM	FPL SWITCH - WOODWARD 138KV CKT 1	153	0.04035	107.3607	ELK CITY - RED HILLS WIND 138KV CKT 1
FDNS	06ALL	0	15G	G14_002	TO->FROM	FPL SWITCH - WOODWARD 138KV CKT 1	153	0.0411	107.3411	WOODRING (WOODRNG2) 345/138/13.8KV TRANSFORMER CKT 1
FDNS	1	0	15G	G14_002	TO->FROM	FPL SWITCH - WOODWARD 138KV CKT 1	153	0.03934	107.1438	C_CITY_138 138.00 - NOEL_SW 138.00 138KV CKT 1
FDNS	01ALL	0	15G	G14_002	TO->FROM	FPL SWITCH - WOODWARD 138KV CKT 1	153	0.03764	107.0446	CLEO CORNER - GLASS MOUNTAIN 138KV CKT 1
FDNS	06ALL	0	15G	G14_002	TO->FROM	FPL SWITCH - WOODWARD 138KV CKT 1	153	0.04159	106.7436	GEN514806 1-SOONER UNIT 2
FDNS	6	0	15G	G14_002	TO->FROM	FPL SWITCH - WOODWARD 138KV CKT 1	153	0.04155	106.6805	GRAPEVINE INTERCHANGE - NICHOLS STATION 230KV CKT 1
FDNS	06ALL	0	15G	G14_002	TO->FROM	FPL SWITCH - WOODWARD 138KV CKT 1	153	0.03923	106.6638	ELLIS 4 138.00 - RED HILLS WIND 138KV CKT 1
FDNS	06ALL	0	15G	G14_002	TO->FROM	FPL SWITCH - WOODWARD 138KV CKT 1	153	0.04159	106.433	GEN515787 1-OKLA WIND ENERGY CENTER
FDNS	01ALL	0	15G	G14_002	TO->FROM	FPL SWITCH - WOODWARD 138KV CKT 1	153	0.03764	106.1856	GLASS MOUNTAIN - MOORELAND 138KV CKT 1
FDNS	06ALL	0	15G	G14_002	TO->FROM	FPL SWITCH - WOODWARD 138KV CKT 1	153	0.04159	106.0355	GEN520922 1-SLEEPING BEAR
FDNS	06ALL	0	15G	G14_002	TO->FROM	FPL SWITCH - WOODWARD 138KV CKT 1	153	0.04395	105.9305	FINNEY SWITCHING STATION - HOLCOMB 345KV CKT 1
FDNS	1	0	15G	G14_002	TO->FROM	FPL SWITCH - WOODWARD 138KV CKT 1	153	0.04238	105.9267	GEN515365 1-CENT 21 0.7000
FDNS	1	0	15G	G14_002	TO->FROM	FPL SWITCH - WOODWARD 138KV CKT 1	153	0.04238	105.8559	GEN515393 1-OGEWND2G
FDNS	1	0	15G	G14_002	TO->FROM	FPL SWITCH - WOODWARD 138KV CKT 1	153	0.03799	105.7967	IMO TAP - MEN TAP 138KV CKT 1
FDNS	6	0	15G	G14_002	TO->FROM	FPL SWITCH - WOODWARD 138KV CKT 1	153	0.04226	105.668	OKLAUNION - TUCO INTERCHANGE 345KV CKT 1
FDNS	06ALL	0	15G	G14_002	TO->FROM	FPL SWITCH - WOODWARD 138KV CKT 1	153	0.04159	105.4522	GEN336821 1-GRAND GULF UNIT
FDNS	06ALL	0	15G	G14_002	TO->FROM	FPL SWITCH - WOODWARD 138KV CKT 1	153	0.04159	105.3758	GEN509416 1-TURK GENERATION
FDNS	09ALL	0	15G	G14_002	TO->FROM	FPL SWITCH - WOODWARD 138KV CKT 1	153	0.04878	105.3442	IODINE - WOODWARD EHV 138KV CKT 1
FDNS	06ALL	0	15G	G14_002	TO->FROM	FPL SWITCH - WOODWARD 138KV CKT 1	153	0.04159	105.3309	GEN509403 1-PIRKEY GENERATION
FDNS	06ALL	0	15G	G14_002	TO->FROM	FPL SWITCH - WOODWARD 138KV CKT 1	153	0.0386	105.3033	SANDY_CN_138138.00 - WAKITA_138 138.00 138KV CKT 1
FDNS	06ALL	0	15G	G14_002	TO->FROM	FPL SWITCH - WOODWARD 138KV CKT 1	153	0.04159	105.2711	GEN337911 1-ARKANSAS NUCLEAR ONE UNIT #2
FDNS	06ALL	0	15G	G14_002	TO->FROM	FPL SWITCH - WOODWARD 138KV CKT 1	153	0.04243	105.2236	G11-17T 345.00 - POST ROCK 345KV CKT 1
FDNS	1	0	15G	G14_002	TO->FROM	FPL SWITCH - WOODWARD 138KV CKT 1	153	0.03799	105.1614	CLEOPLT4 138.00 - MEN TAP 138KV CKT 1
FDNS	06ALL	0	15G	G14_002	TO->FROM	FPL SWITCH - WOODWARD 138KV CKT 1	153	0.04159	105.1327	GEN520947 1-HUGO1
FDNS	1	0	15G	G14_002	TO->FROM	FPL SWITCH - WOODWARD 138KV CKT 1	153	0.04238	105.1074	GEN562023 1-G11_020_3 0.6900
FDNS	1	0	15G	G14_002	TO->FROM	FPL SWITCH - WOODWARD 138KV CKT 1	153	0.04238	105.1074	GEN562026 1-G11_019_3 0.6900
FDNS	06ALL	0	15G	G14_002	TO->FROM	FPL SWITCH - WOODWARD 138KV CKT 1	153	0.04159	105.0599	GEN515226 1-MUSKOGEE 6G
FDNS	6	0	15G	G14_002	TO->FROM	FPL SWITCH - WOODWARD 138KV CKT 1	153	0.03763	105.0364	SAND RDG_138138.00 - WAKITA_138 138.00 138KV CKT 1
FDNS	06ALL	0	15G	G14_002	TO->FROM	FPL SWITCH - WOODWARD 138KV CKT 1	153	0.04431	104.9911	CIMARRON - NORTHWEST 345KV CKT 1
FDNS	06ALL	0	15G	G14_002	TO->FROM	FPL SWITCH - WOODWARD 138KV CKT 1	153	0.04159	104.9636	GEN336153 1-WATERFORD UNIT#3
FDNS	06ALL	0	15G	G14_002	TO->FROM	FPL SWITCH - WOODWARD 138KV CKT 1	153	0.04271	104.9221	FARGO JCT - WOODWARD 69KV CKT 1
FDNS	06ALL	0	15G	G14_002	TO->FROM	FPL SWITCH - WOODWARD 138KV CKT 1	153	0.04395	104.8764	SPP-SWPS-05

SOLUTION	GROUP	SCENARIO	SEASON	SOURCE	DIRECTION	MONITORED ELEMENT	RATEB (MVA)	TDF	TC%LOADING (% MVA)	CONTINGENCY	
FDNS	06ALL		0	15G	G14_002	TO->FROM	FPL SWITCH - WOODWARD 138KV CKT 1	153	0.04395	104.8351	FINNEY SWITCHING STATION - Hitchland Interchange 345KV CKT 1
FDNS	06ALL		0	15G	G14_002	TO->FROM	FPL SWITCH - WOODWARD 138KV CKT 1	153	0.04159	104.7837	GEN337910 1-ARKANSAS NUCLEAR ONE UNIT #1
FDNS	06ALL		0	15G	G14_002	TO->FROM	FPL SWITCH - WOODWARD 138KV CKT 1	153	0.04159	104.783	GEN515225 1-MUSKOGEE 5G
FDNS	06ALL		0	15G	G14_002	TO->FROM	FPL SWITCH - WOODWARD 138KV CKT 1	153	0.04159	104.7829	GEN515223 1-MUSKOGEE 4G
FDNS	06ALL		0	15G	G14_002	TO->FROM	FPL SWITCH - WOODWARD 138KV CKT 1	153	0.04159	104.7823	GEN509406 1-WELSH #3
FDNS	06ALL		0	15G	G14_002	TO->FROM	FPL SWITCH - WOODWARD 138KV CKT 1	153	0.04159	104.7821	GEN509404 1-WELSH #1
FDNS	06ALL		0	15G	G14_002	TO->FROM	FPL SWITCH - WOODWARD 138KV CKT 1	153	0.04136	104.7811	ELK CITY - FALCON ROAD 138KV CKT 1
FDNS	06ALL		0	15G	G14_002	TO->FROM	FPL SWITCH - WOODWARD 138KV CKT 1	153	0.04159	104.7442	GEN501801 1-DOLET HILLS UNIT1
FDNS	1		0	15G	G14_002	TO->FROM	FPL SWITCH - WOODWARD 138KV CKT 1	153	0.03799	104.6235	CLEO CORNER - CLEOPLT4 138.00 138KV CKT 1
FDNS	06ALL		0	15G	G14_002	TO->FROM	FPL SWITCH - WOODWARD 138KV CKT 1	153	0.04159	104.6212	GEN335831 1-RIVERBEND UNIT#1
FDNS	01G14_002		0	15G	G14_002	TO->FROM	FPL SWITCH - WOODWARD 138KV CKT 1	153	0.03862	104.5639	CEDARDALE - OKEENE 138KV CKT 1
FDNS	06ALL		0	15G	G14_002	TO->FROM	FPL SWITCH - WOODWARD 138KV CKT 1	153	0.03923	104.5337	ELLIS 4 138.00 - MOREWOOD SW 138KV CKT 1
FDNS	06ALL		0	15G	G14_002	TO->FROM	FPL SWITCH - WOODWARD 138KV CKT 1	153	0.04082	104.5151	SOONER - WOODRING 345KV CKT 1
FDNS	06ALL		0	15G	G14_002	TO->FROM	FPL SWITCH - WOODWARD 138KV CKT 1	153	0.04204	104.5087	SPP-MKEC-08
FDNS	06ALL		0	15G	G14_002	TO->FROM	FPL SWITCH - WOODWARD 138KV CKT 1	153	0.04159	104.4997	GEN511839 1-NORTHEASTERN STATION #2
FDNS	06ALL		0	15G	G14_002	TO->FROM	FPL SWITCH - WOODWARD 138KV CKT 1	153	0.04159	104.4881	GEN511840 1-NORTHEASTERN STATION #3
FDNS	06ALL		0	15G	G14_002	TO->FROM	FPL SWITCH - WOODWARD 138KV CKT 1	153	0.04159	104.4417	GEN511841 1-NORTHEASTERN STATION #4
FDNS	06ALL		0	15G	G14_002	TO->FROM	FPL SWITCH - WOODWARD 138KV CKT 1	153	0.04159	104.4358	GEN509394 1-FLINT CREEK
FDNS	06ALL		0	15G	G14_002	TO->FROM	FPL SWITCH - WOODWARD 138KV CKT 1	153	0.04243	104.41	G11-17T 345.00 - SPEARVILLE 345KV CKT 1
FDNS	06ALL		0	15G	G14_002	TO->FROM	FPL SWITCH - WOODWARD 138KV CKT 1	153	0.04159	104.4074	GEN512688 2-GRDA1 GSU2 22
FDNS	06ALL		0	15G	G14_002	TO->FROM	FPL SWITCH - WOODWARD 138KV CKT 1	153	0.04159	104.3688	GEN509405 1-WELSH #2
FDNS	06ALL		0	15G	G14_002	TO->FROM	FPL SWITCH - WOODWARD 138KV CKT 1	153	0.04159	104.2437	GEN337653 1-WHITE BLUFF UNIT #2
FDNS	6		0	15G	G14_002	TO->FROM	FPL SWITCH - WOODWARD 138KV CKT 1	153	0.04405	104.1075	DEWEY - TALOGA 138KV CKT 1
FDNS	01G14_002		0	15G	G14_002	TO->FROM	FPL SWITCH - WOODWARD 138KV CKT 1	153	0.03862	103.7675	CEDARDALE - MOORELAND 138KV CKT 1
FDNS	6		0	15G	G14_002	TO->FROM	FPL SWITCH - WOODWARD 138KV CKT 1	153	0.0449	103.6716	THISTLE7 345.00 - WICHITA 345KV CKT 1
FDNS	6		0	15G	G14_002	TO->FROM	FPL SWITCH - WOODWARD 138KV CKT 1	153	0.0449	103.6716	THISTLE7 345.00 - WICHITA 345KV CKT 2
FDNS	6		0	15G	G14_002	TO->FROM	FPL SWITCH - WOODWARD 138KV CKT 1	153	0.04166	103.4679	GEN514805 1-SOONER UNIT 1
FDNS	09ALL		0	15G	G14_002	TO->FROM	FPL SWITCH - WOODWARD 138KV CKT 1	153	0.04878	103.4561	DEWEY - IODINE 138KV CKT 1
FDNS	01ALL		0	15G	G14_002	TO->FROM	FPL SWITCH - WOODWARD 138KV CKT 1	153	0.03804	103.2259	MOORELAND - NOEL_SW 138.00 138KV CKT 1
FDNS	6		0	15G	G14_002	TO->FROM	FPL SWITCH - WOODWARD 138KV CKT 1	153	0.04166	103.2248	GEN520443 1-REDHIL-WTG1 12.000
FDNS	9		0	15G	G14_002	TO->FROM	FPL SWITCH - WOODWARD 138KV CKT 1	153	0.04875	103.0846	IODINE - WOODWARD EHV 138KV CKT 1
FDNS	01ALL		0	15G	G14_002	TO->FROM	FPL SWITCH - WOODWARD 138KV CKT 1	153	0.03774	102.9802	MOREWOOD SW - NINE MILE 138KV CKT 1
FDNS	6		0	15G	G14_002	TO->FROM	FPL SWITCH - WOODWARD 138KV CKT 1	153	0.04927	102.8363	THISTLE7 345.00 - WOODWARD DISTRICT EHV 345KV CKT 1
FDNS	6		0	15G	G14_002	TO->FROM	FPL SWITCH - WOODWARD 138KV CKT 1	153	0.04927	102.8363	THISTLE7 345.00 - WOODWARD DISTRICT EHV 345KV CKT 2
FDNS	01G14_002		0	15G	G14_002	TO->FROM	FPL SWITCH - WOODWARD 138KV CKT 1	153	0.03743	102.3584	CLEO CORNER - GLASS MOUNTAIN 138KV CKT 1
FDNS	01ALL		0	15G	G14_002	TO->FROM	FPL SWITCH - WOODWARD 138KV CKT 1	153	0.03774	102.32	MOORELAND - NINE MILE 138KV CKT 1
FDNS	06ALL		0	15G	G14_002	TO->FROM	FPL SWITCH - WOODWARD 138KV CKT 1	153	0.04159	102.2509	NC1_GEN-NEBRASKA CITY 1
FDNS	6		0	15G	G14_002	TO->FROM	FPL SWITCH - WOODWARD 138KV CKT 1	153	0.04117	102.0258	WOODRING (WOODRNG2) 345/138/13.8KV TRANSFORMER CKT 1
FDNS	09ALL		0	15G	G14_002	TO->FROM	FPL SWITCH - WOODWARD 138KV CKT 1	153	0.04185	101.7529	BASE CASE
FDNS	09ALL		0	15G	G14_002	TO->FROM	FPL SWITCH - WOODWARD 138KV CKT 1	153	0.04185	101.7529	BASE CASE
FDNS	01G14_002		0	15G	G14_002	TO->FROM	FPL SWITCH - WOODWARD 138KV CKT 1	153	0.03743	101.5267	GLASS MOUNTAIN - MOORELAND 138KV CKT 1
FDNS	6		0	15G	G14_002	TO->FROM	FPL SWITCH - WOODWARD 138KV CKT 1	153	0.04166	101.3864	GEN514806 1-SOONER UNIT 2
FDNS	1		0	15G	G14_002	TO->FROM	FPL SWITCH - WOODWARD 138KV CKT 1	153	0.03858	101.3199	CEDARDALE - OKEENE 138KV CKT 1
FDNS	01G14_002		0	15G	G14_002	TO->FROM	FPL SWITCH - WOODWARD 138KV CKT 1	153	0.04012	101.3113	ELK CITY - RED HILLS WIND 138KV CKT 1
FDNS	9		0	15G	G14_002	TO->FROM	FPL SWITCH - WOODWARD 138KV CKT 1	153	0.04875	101.1859	DEWEY - IODINE 138KV CKT 1
FDNS	6		0	15G	G14_002	TO->FROM	FPL SWITCH - WOODWARD 138KV CKT 1	153	0.04166	100.9273	GEN515787 1-OKLA WIND ENERGY CENTER
FDNS	6		0	15G	G14_002	TO->FROM	FPL SWITCH - WOODWARD 138KV CKT 1	153	0.04166	100.5582	GEN520922 1-SLEEPING BEAR
FDNS	6		0	15G	G14_002	TO->FROM	FPL SWITCH - WOODWARD 138KV CKT 1	153	0.03866	100.5523	SANDY_CN 138138.00 - WAKITA 138 138.00 138KV CKT 1
FDNS	1		0	15G	G14_002	TO->FROM	FPL SWITCH - WOODWARD 138KV CKT 1	153	0.03858	100.5211	CEDARDALE - MOORELAND 138KV CKT 1
FDNS	6		0	15G	G14_002	TO->FROM	FPL SWITCH - WOODWARD 138KV CKT 1	153	0.03932	100.4987	ELLIS 4 138.00 - RED HILLS WIND 138KV CKT 1
FDNS	09ALL		0	15G	G14_002	TO->FROM	FPL SWITCH - WOODWARD 138KV CKT 1	153	0.04695	100.4235	WOODWARD - WOODWARD 69KV CKT 1
FDNS	06ALL		0	15G	G14_002	TO->FROM	FPL SWITCH - WOODWARD 138KV CKT 1	153	0.04159	100.165	GEN560121 1-G08-47 0.5750
FDNS	06ALL		0	15G	G14_002	TO->FROM	FPL SWITCH - WOODWARD 138KV CKT 1	153	0.04159	100.1402	GEN562432 1-G13-030 0.6900
FDNS	06ALL		0	15G	G14_002	TO->FROM	FPL SWITCH - WOODWARD 138KV CKT 1	153	0.04135	100.1005	KNOBHILL (KNOBHILA) 138/69/13.2KV TRANSFORMER CKT 1
FDNS	06ALL		0	15G	G14_002	TO->FROM	FPL SWITCH - WOODWARD 138KV CKT 1	153	0.04159	100.1	GEN532652 1-JEFFREY ENERGY CENTER UNIT 2
FDNS	06ALL		0	15G	G14_002	TO->FROM	FPL SWITCH - WOODWARD 138KV CKT 1	153	0.04159	100.1	GEN532653 1-JEFFREY ENERGY CENTER UNIT 3
FDNS	09ALL		0	15G	G14_002	TO->FROM	FPL SWITCH - WOODWARD 138KV CKT 1	153	0.03778	100.0969	SAND RDG 138138.00 - WAKITA 138 138.00 138KV CKT 1
FDNS	06ALL		0	15G	G14_002	TO->FROM	FPL SWITCH - WOODWARD 138KV CKT 1	153	0.04159	100.0756	GEN527161 1-MUSTANG GEN #1
FDNS	06ALL		0	15G	G14_002	TO->FROM	FPL SWITCH - WOODWARD 138KV CKT 1	153	0.04159	100.0756	GEN527162 1-MUSTANG GEN #2
FDNS	06ALL		0	15G	G14_002	TO->FROM	FPL SWITCH - WOODWARD 138KV CKT 1	153	0.04154	100.0736	DELAWARE - NORTHEAST STATION 345KV CKT 1
FDNS	06ALL		0	15G	G14_002	TO->FROM	FPL SWITCH - WOODWARD 138KV CKT 1	153	0.04135	100.0715	KNOBHILL - NOEL_SW 138.00 138KV CKT 1
FDNS	6		0	15G	G14_002	TO->FROM	FPL SWITCH - WOODWARD 138KV CKT 1	153	0.04166	100	GEN509416 1-TURK GENERATION
FDNS	06ALL		0	15G	G14_002	TO->FROM	FPL SWITCH - WOODWARD 138KV CKT 1	153	0.04159	100	GEN532651 1-JEFFREY ENERGY CENTER UNIT 1
FDNS	6		0	15G	G14_002	TO->FROM	FPL SWITCH - WOODWARD 138KV CKT 1	153	0.04166	99.9	GEN336821 1-GRAND GULF UNIT
FDNS	6		0	15G	G14_002	TO->FROM	FPL SWITCH - WOODWARD 138KV CKT 1	153	0.04166	99.9	GEN509403 1-PIRKEY GENERATION
FDNS	06ALL		0	15G	G14_002	TO->FROM	FPL SWITCH - WOODWARD 138KV CKT 1	153	0.04159	99.9	GEN640009 1-COOPER NUCLEAR STATION

SOLUTION	GROUP	SCENARIO	SEASON	SOURCE	DIRECTION	MONITORED ELEMENT	RATEB (MVA)	TDF	TC%LOADING (% MVA)	CONTINGENCY
FDNS	06ALL	0	15G	G14_002	TO->FROM	FPL SWITCH - WOODWARD 138KV CKT 1	153	0.04159	99.9	GEN645012 2-NEBRASKA CITY 2
FDNS	06ALL	0	15G	G14_002	TO->FROM	FPL SWITCH - WOODWARD 138KV CKT 1	153	0.04111	99.9	OPENSKEY7 345.00 - ROSE HILL 345KV CKT 1
FDNS	06ALL	0	15G	G14_002	TO->FROM	FPL SWITCH - WOODWARD 138KV CKT 1	153	0.03657	99.9	MOREWOOD SW - NINE MILE 138KV CKT 1
FDNS	6	0	15G	G14_002	TO->FROM	FPL SWITCH - WOODWARD 138KV CKT 1	153	0.04166	99.8	GEN337911 1-ARKANSAS NUCLEAR ONE UNIT #2
FDNS	06ALL	0	15G	G14_002	TO->FROM	FPL SWITCH - WOODWARD 138KV CKT 1	153	0.04229	99.8	DBL-CLRK-THI
FDNS	06ALL	0	15G	G14_002	TO->FROM	FPL SWITCH - WOODWARD 138KV CKT 1	153	0.04159	99.8	GEN527901 1-HOBBS PLANT #1 (CT)
FDNS	06ALL	0	15G	G14_002	TO->FROM	FPL SWITCH - WOODWARD 138KV CKT 1	153	0.04159	99.8	GEN527902 1-HOBBS PLANT #2 (CT)
FDNS	6	0	15G	G14_002	TO->FROM	FPL SWITCH - WOODWARD 138KV CKT 1	153	0.04166	99.7	GEN520947 1-HUGO1
FDNS	06ALL	0	15G	G14_002	TO->FROM	FPL SWITCH - WOODWARD 138KV CKT 1	153	0.04159	99.7	GEN515365 1-CENT 21 0.7000
FDNS	06ALL	0	15G	G14_002	TO->FROM	FPL SWITCH - WOODWARD 138KV CKT 1	153	0.04159	99.7	GEN527163 1-MUSTANG GEN #3 22 KV
FDNS	06ALL	0	15G	G14_002	TO->FROM	FPL SWITCH - WOODWARD 138KV CKT 1	153	0.04159	99.7	GEN539670 4-JUDSON LARGE GENERATOR
FDNS	06ALL	0	15G	G14_002	TO->FROM	FPL SWITCH - WOODWARD 138KV CKT 1	153	0.04159	99.7	GEN640011 2-GERALD GENTLEMAN STATION UNIT 2
FDNS	06ALL	0	15G	G14_002	TO->FROM	FPL SWITCH - WOODWARD 138KV CKT 1	153	0.04061	99.7	WOODWARD - WOODWARD EHV 138KV CKT 2
FDNS	6	0	15G	G14_002	TO->FROM	FPL SWITCH - WOODWARD 138KV CKT 1	153	0.04438	99.6	CIMARRON - NORTHWEST 345KV CKT 1
FDNS	6	0	15G	G14_002	TO->FROM	FPL SWITCH - WOODWARD 138KV CKT 1	153	0.04166	99.6	GEN515226 1-MUSKOGEE 6G
FDNS	9	0	15G	G14_002	TO->FROM	FPL SWITCH - WOODWARD 138KV CKT 1	153	0.04182	99.6	BASE CASE
FDNS	9	0	15G	G14_002	TO->FROM	FPL SWITCH - WOODWARD 138KV CKT 1	153	0.04182	99.6	BASE CASE
FDNS	06ALL	0	15G	G14_002	TO->FROM	FPL SWITCH - WOODWARD 138KV CKT 1	153	0.04159	99.6	GEN515393 1-OGEWND2G
FDNS	06ALL	0	15G	G14_002	TO->FROM	FPL SWITCH - WOODWARD 138KV CKT 1	153	0.04159	99.6	GEN526332 1-JONES GEN #2 21 KV
FDNS	6	0	15G	G14_002	TO->FROM	FPL SWITCH - WOODWARD 138KV CKT 1	153	0.04251	99.5	G11-17T 345.00 - POST ROCK 345KV CKT 1
FDNS	06ALL	0	15G	G14_002	TO->FROM	FPL SWITCH - WOODWARD 138KV CKT 1	153	0.04159	99.5	GEN527166 1-MUSTANG 6 118.000
FDNS	06ALL	0	15G	G14_002	TO->FROM	FPL SWITCH - WOODWARD 138KV CKT 1	153	0.04159	99.5	GEN562023 1-G11_020_3 0.6900
FDNS	06ALL	0	15G	G14_002	TO->FROM	FPL SWITCH - WOODWARD 138KV CKT 1	153	0.04159	99.5	GEN562026 1-G11_019_3 0.6900
FDNS	06ALL	0	15G	G14_002	TO->FROM	FPL SWITCH - WOODWARD 138KV CKT 1	153	0.04159	99.5	GEN635214 4-NEAL UNIT 4
FDNS	06ALL	0	15G	G14_002	TO->FROM	FPL SWITCH - WOODWARD 138KV CKT 1	153	0.0386	99.5	BYRON_138 138.00 - SANDY_CN_138138.00 138KV CKT 1
FDNS	01ALL	0	15G	G14_002	FROM->TO	HARPER - MILAN TAP 138KV CKT 1	143.4	0.03029	143.6463	DBL-THIS-WIC
FDNS	01G14_002	0	15G	G14_002	FROM->TO	HARPER - MILAN TAP 138KV CKT 1	143.4	0.03028	129.0692	DBL-THIS-WIC
FDNS	1	0	15G	G14_002	FROM->TO	HARPER - MILAN TAP 138KV CKT 1	143.4	0.03027	125.8587	DBL-THIS-WIC
FDNS	01ALL	0	15G	G14_002	TO->FROM	NORTHWEST - TATONGA7 345.00 345KV CKT 1	1195	0.06056	106.2943	DBL-THIS-WWR
FDNS	01ALL	0	15G	G14_003	FROM->TO	CLEARWATER - GILL ENERGY CENTER WEST 138KV CKT 1	143	0.03029	127.361	DBL-THIS-WIC
FDNS	01G14_003	0	15G	G14_003	FROM->TO	CLEARWATER - GILL ENERGY CENTER WEST 138KV CKT 1	143	0.03028	112.8965	DBL-THIS-WIC
FDNS	1	0	15G	G14_003	FROM->TO	CLEARWATER - GILL ENERGY CENTER WEST 138KV CKT 1	143	0.03027	109.7233	DBL-THIS-WIC
FDNS	01ALL	0	15G	G14_003	TO->FROM	CLEARWATER - MILAN TAP 138KV CKT 1	110	0.03029	175.6296	DBL-THIS-WIC
FDNS	01G14_003	0	15G	G14_003	TO->FROM	CLEARWATER - MILAN TAP 138KV CKT 1	110	0.03028	156.5095	DBL-THIS-WIC
FDNS	1	0	15G	G14_003	TO->FROM	CLEARWATER - MILAN TAP 138KV CKT 1	110	0.03027	152.3121	DBL-THIS-WIC
FDNS	01ALL	0	15G	G14_003	TO->FROM	FLATRDG3 - THISTLE4 138.00 138KV CKT 1	286	0.04784	109.8689	DBL-THIS-WIC
FDNS	01ALL	0	15G	G14_003	FROM->TO	FPL SWITCH - MOORELAND 138KV CKT 1	287	0.11329	140.5605	NORTHWEST - TATONGA7 345.00 345KV CKT 1
FDNS	01ALL	0	15G	G14_003	FROM->TO	FPL SWITCH - MOORELAND 138KV CKT 1	287	0.07256	140.2435	DBL-THIS-WWR
FDNS	01ALL	0	15G	G14_003	FROM->TO	FPL SWITCH - MOORELAND 138KV CKT 1	287	0.11329	131.8231	SPSCONT-05B
FDNS	01ALL	0	15G	G14_003	FROM->TO	FPL SWITCH - MOORELAND 138KV CKT 1	287	0.11329	130.3129	SPSCONT-04
FDNS	01G14_003	0	15G	G14_003	FROM->TO	FPL SWITCH - MOORELAND 138KV CKT 1	287	0.1129	125.611	NORTHWEST - TATONGA7 345.00 345KV CKT 1
FDNS	01ALL	0	15G	G14_003	FROM->TO	FPL SWITCH - MOORELAND 138KV CKT 1	287	0.05645	125.5536	DBL-THIS-WIC
FDNS	01G14_003	0	15G	G14_003	FROM->TO	FPL SWITCH - MOORELAND 138KV CKT 1	287	0.07242	120.6791	DBL-THIS-WWR
FDNS	1	0	15G	G14_003	FROM->TO	FPL SWITCH - MOORELAND 138KV CKT 1	287	0.11281	119.7451	NORTHWEST - TATONGA7 345.00 345KV CKT 1
FDNS	01G14_003	0	15G	G14_003	FROM->TO	FPL SWITCH - MOORELAND 138KV CKT 1	287	0.1129	117.717	SPSCONT-05B
FDNS	1	0	15G	G14_003	FROM->TO	FPL SWITCH - MOORELAND 138KV CKT 1	287	0.07238	116.6992	DBL-THIS-WWR
FDNS	01G14_003	0	15G	G14_003	FROM->TO	FPL SWITCH - MOORELAND 138KV CKT 1	287	0.1129	114.6053	SPSCONT-04
FDNS	1	0	15G	G14_003	FROM->TO	FPL SWITCH - MOORELAND 138KV CKT 1	287	0.11281	112.3832	SPSCONT-05B
FDNS	01ALL	0	15G	G14_003	FROM->TO	FPL SWITCH - MOORELAND 138KV CKT 1	287	0.05336	112.2285	DBL-HTCH-BVR
FDNS	01ALL	0	15G	G14_003	FROM->TO	FPL SWITCH - MOORELAND 138KV CKT 1	287	0.04788	112.1484	WOODWARD (WOODWRD2) 138/69/13.2KV TRANSFORMER CKT 1
FDNS	1	0	15G	G14_003	FROM->TO	FPL SWITCH - MOORELAND 138KV CKT 1	287	0.11281	111.2231	SPSCONT-04
FDNS	01G14_003	0	15G	G14_003	FROM->TO	FPL SWITCH - MOORELAND 138KV CKT 1	287	0.05621	110.7477	DBL-THIS-WIC
FDNS	01ALL	0	15G	G14_003	FROM->TO	FPL SWITCH - MOORELAND 138KV CKT 1	287	0.04505	108.3621	DEWEY - TALOGA 138KV CKT 1
FDNS	01ALL	0	15G	G14_003	FROM->TO	FPL SWITCH - MOORELAND 138KV CKT 1	287	0.05024	108.057	THISTLE7 345.00 - WOODWARD DISTRICT EHV 345KV CKT 1
FDNS	01ALL	0	15G	G14_003	FROM->TO	FPL SWITCH - MOORELAND 138KV CKT 1	287	0.05024	108.057	THISTLE7 345.00 - WOODWARD DISTRICT EHV 345KV CKT 2
FDNS	01ALL	0	15G	G14_003	FROM->TO	FPL SWITCH - MOORELAND 138KV CKT 1	287	0.04267	107.9074	GEN520922 1-SLEEPING BEAR
FDNS	1	0	15G	G14_003	FROM->TO	FPL SWITCH - MOORELAND 138KV CKT 1	287	0.05616	107.89	DBL-THIS-WIC
FDNS	01ALL	0	15G	G14_003	FROM->TO	FPL SWITCH - MOORELAND 138KV CKT 1	287	0.04978	106.8891	IODINE - WOODWARD EHV 138KV CKT 1
FDNS	01ALL	0	15G	G14_003	FROM->TO	FPL SWITCH - MOORELAND 138KV CKT 1	287	0.05336	106.7934	DBL-BVR-G111
FDNS	01ALL	0	15G	G14_003	FROM->TO	FPL SWITCH - MOORELAND 138KV CKT 1	287	0.04641	105.9544	BORDER 7345.00 - TUCO INTERCHANGE 345KV CKT 1
FDNS	01ALL	0	15G	G14_003	FROM->TO	FPL SWITCH - MOORELAND 138KV CKT 1	287	0.04978	105.7994	DEWEY - IODINE 138KV CKT 1
FDNS	01ALL	0	15G	G14_003	FROM->TO	FPL SWITCH - MOORELAND 138KV CKT 1	287	0.04304	105.3327	FT SUPPLY - IODINE 138KV CKT 1
FDNS	01ALL	0	15G	G14_003	FROM->TO	FPL SWITCH - MOORELAND 138KV CKT 1	287	0.05336	105.2634	DBL-G1114-WW
FDNS	01ALL	0	15G	G14_003	FROM->TO	FPL SWITCH - MOORELAND 138KV CKT 1	287	0.04641	104.7097	BORDER 7345.00 - WOODWARD DISTRICT EHV 345KV CKT 1
FDNS	01ALL	0	15G	G14_003	FROM->TO	FPL SWITCH - MOORELAND 138KV CKT 1	287	0.04304	104.5009	IODINE - MOORELAND 138KV CKT 1
FDNS	01ALL	0	15G	G14_003	FROM->TO	FPL SWITCH - MOORELAND 138KV CKT 1	287	0.04267	104.4119	BASE CASE

SOLUTION	GROUP	SCENARIO	SEASON	SOURCE	DIRECTION	MONITORED ELEMENT	RATEB (MVA)	TDF	TC%LOADING (% MVA)	CONTINGENCY
FDNS	01ALL	0	15G	G14_003	FROM->TO	FPL SWITCH - MOORELAND 138KV CKT 1	287	0.04267	104.4119	BASE CASE
FDNS	01ALL	0	15G	G14_003	FROM->TO	FPL SWITCH - MOORELAND 138KV CKT 1	287	0.04788	104.2123	WOODWARD - WOODWARD 69KV CKT 1
FDNS	01ALL	0	15G	G14_003	FROM->TO	FPL SWITCH - MOORELAND 138KV CKT 1	287	0.04594	104.0165	THISTLE7 345.00 - WICHITA 345KV CKT 1
FDNS	01ALL	0	15G	G14_003	FROM->TO	FPL SWITCH - MOORELAND 138KV CKT 1	287	0.04594	104.0165	THISTLE7 345.00 - WICHITA 345KV CKT 2
FDNS	01ALL	0	15G	G14_003	FROM->TO	FPL SWITCH - MOORELAND 138KV CKT 1	287	0.04267	101.8128	GEN515389 1-TLGNWD-WTG1 0.7000
FDNS	01ALL	0	15G	G14_003	FROM->TO	FPL SWITCH - MOORELAND 138KV CKT 1	287	0.04414	101.4819	POTTER COUNTY INTERCHANGE (WAUK 90343-A) 345/230/13.2KV TRANSFORMER CKT 1
FDNS	01ALL	0	15G	G14_003	FROM->TO	FPL SWITCH - MOORELAND 138KV CKT 1	287	0.04355	101.3834	LAWTON EASTSIDE - OKLAUNION 345KV CKT 1
FDNS	01ALL	0	15G	G14_003	FROM->TO	FPL SWITCH - MOORELAND 138KV CKT 1	287	0.04267	101.2175	GEN514805 1-SOONER UNIT 1
FDNS	01G14_003	0	15G	G14_003	FROM->TO	FPL SWITCH - MOORELAND 138KV CKT 1	287	0.04761	101.0746	WOODWARD (WOODWRD2) 138/69/13.2KV TRANSFORMER CKT 1
FDNS	01ALL	0	15G	G14_003	FROM->TO	FPL SWITCH - MOORELAND 138KV CKT 1	287	0.04267	100.8698	GEN520443 1-REDHIL-WTG1 12.000
FDNS	01ALL	0	15G	G14_003	FROM->TO	FPL SWITCH - MOORELAND 138KV CKT 1	287	0.0426	100.7515	ELK CITY 230KV - SWEETWATER 230KV CKT 1
FDNS	01ALL	0	15G	G14_003	FROM->TO	FPL SWITCH - MOORELAND 138KV CKT 1	287	0.0426	100.7486	ELK CITY 230KV (ELKCTY-6) 230/138/13.8KV TRANSFORMER CKT 1
FDNS	01ALL	0	15G	G14_003	FROM->TO	FPL SWITCH - MOORELAND 138KV CKT 1	287	0.04414	100.6443	SPP-SWPS-04
FDNS	01ALL	0	15G	G14_003	FROM->TO	FPL SWITCH - MOORELAND 138KV CKT 1	287	0.04414	100.6072	Hitchland Interchange - POTTER COUNTY INTERCHANGE 345KV CKT 1
FDNS	01ALL	0	15G	G14_003	FROM->TO	FPL SWITCH - MOORELAND 138KV CKT 1	287	0.04504	100.3154	FINNEY SWITCHING STATION - HOLCOMB 345KV CKT 1
FDNS	01ALL	0	15G	G14_003	FROM->TO	FPL SWITCH - MOORELAND 138KV CKT 1	287	0.04266	100.2312	GRAPEVINE INTERCHANGE - NICHOLS STATION 230KV CKT 1
FDNS	01ALL	0	15G	G14_003	FROM->TO	FPL SWITCH - MOORELAND 138KV CKT 1	287	0.04267	100.0608	GEN514806 1-SOONER UNIT 2
FDNS	01ALL	0	15G	G14_003	FROM->TO	FPL SWITCH - MOORELAND 138KV CKT 1	287	0.0435	99.9	G11-17T 345.00 - POST ROCK 345KV CKT 1
FDNS	01ALL	0	15G	G14_003	FROM->TO	FPL SWITCH - MOORELAND 138KV CKT 1	287	0.04504	99.8	SPP-SWPS-05
FDNS	01ALL	0	15G	G14_003	FROM->TO	FPL SWITCH - MOORELAND 138KV CKT 1	287	0.04291	99.8	MOORELAND - TALOGA 138KV CKT 1
FDNS	01ALL	0	15G	G14_003	FROM->TO	FPL SWITCH - MOORELAND 138KV CKT 1	287	0.04504	99.7	FINNEY SWITCHING STATION - Hitchland Interchange 345KV CKT 1
FDNS	01ALL	0	15G	G14_003	FROM->TO	FPL SWITCH - MOORELAND 138KV CKT 1	287	0.04414	99.6	SPSCONT-02
FDNS	01ALL	0	15G	G14_003	FROM->TO	FPL SWITCH - MOORELAND 138KV CKT 1	287	0.04221	99.6	WOODRING (WOODRNG2) 345/138/13.8KV TRANSFORMER CKT 1
FDNS	01ALL	0	15G	G14_003	FROM->TO	FPL SWITCH - MOORELAND 138KV CKT 1	287	0.04433	99.5	CARTER ICT - WOODWARD 69KV CKT 1
FDNS	01ALL	0	15G	G14_003	TO->FROM	FPL SWITCH - WOODWARD 138KV CKT 1	153	0.11329	207.9824	NORTHWEST - TATONGA7 345.00 345KV CKT 1
FDNS	01ALL	0	15G	G14_003	TO->FROM	FPL SWITCH - WOODWARD 138KV CKT 1	153	0.07256	202.9925	DBL-THIS-WWR
FDNS	01G14_003	0	15G	G14_003	TO->FROM	FPL SWITCH - WOODWARD 138KV CKT 1	153	0.1129	190.6294	NORTHWEST - TATONGA7 345.00 345KV CKT 1
FDNS	01ALL	0	15G	G14_003	TO->FROM	FPL SWITCH - WOODWARD 138KV CKT 1	153	0.11329	189.6207	SPSCONT-05B
FDNS	01ALL	0	15G	G14_003	TO->FROM	FPL SWITCH - WOODWARD 138KV CKT 1	153	0.11329	186.4538	SPSCONT-04
FDNS	01G14_003	0	15G	G14_003	TO->FROM	FPL SWITCH - WOODWARD 138KV CKT 1	153	0.07242	180.7236	DBL-THIS-WWR
FDNS	1	0	15G	G14_003	TO->FROM	FPL SWITCH - WOODWARD 138KV CKT 1	153	0.11281	179.2008	NORTHWEST - TATONGA7 345.00 345KV CKT 1
FDNS	01ALL	0	15G	G14_003	TO->FROM	FPL SWITCH - WOODWARD 138KV CKT 1	153	0.05645	176.6014	DBL-THIS-WIC
FDNS	01G14_003	0	15G	G14_003	TO->FROM	FPL SWITCH - WOODWARD 138KV CKT 1	153	0.1129	175.9568	SPSCONT-05B
FDNS	1	0	15G	G14_003	TO->FROM	FPL SWITCH - WOODWARD 138KV CKT 1	153	0.07238	173.4029	DBL-THIS-WWR
FDNS	01G14_003	0	15G	G14_003	TO->FROM	FPL SWITCH - WOODWARD 138KV CKT 1	153	0.1129	170.1548	SPSCONT-04
FDNS	1	0	15G	G14_003	TO->FROM	FPL SWITCH - WOODWARD 138KV CKT 1	153	0.11281	166.2765	SPSCONT-05B
FDNS	1	0	15G	G14_003	TO->FROM	FPL SWITCH - WOODWARD 138KV CKT 1	153	0.11281	164.1345	SPSCONT-04
FDNS	01G14_003	0	15G	G14_003	TO->FROM	FPL SWITCH - WOODWARD 138KV CKT 1	153	0.05621	162.8151	DBL-THIS-WIC
FDNS	1	0	15G	G14_003	TO->FROM	FPL SWITCH - WOODWARD 138KV CKT 1	153	0.05616	157.7779	DBL-THIS-WIC
FDNS	01ALL	0	15G	G14_003	TO->FROM	FPL SWITCH - WOODWARD 138KV CKT 1	153	0.04788	154.6751	WOODWARD (WOODWRD2) 138/69/13.2KV TRANSFORMER CKT 1
FDNS	01ALL	0	15G	G14_003	TO->FROM	FPL SWITCH - WOODWARD 138KV CKT 1	153	0.05336	153.8595	DBL-HTCH-BVR
FDNS	01ALL	0	15G	G14_003	TO->FROM	FPL SWITCH - WOODWARD 138KV CKT 1	153	0.04267	150.1756	GEN515787 1-OKLA WIND ENERGY CENTER
FDNS	01ALL	0	15G	G14_003	TO->FROM	FPL SWITCH - WOODWARD 138KV CKT 1	153	0.04505	147.4808	DEWEY - TALOGA 138KV CKT 1
FDNS	01ALL	0	15G	G14_003	TO->FROM	FPL SWITCH - WOODWARD 138KV CKT 1	153	0.04267	147.2782	BASE CASE
FDNS	01ALL	0	15G	G14_003	TO->FROM	FPL SWITCH - WOODWARD 138KV CKT 1	153	0.04267	147.2782	BASE CASE
FDNS	01ALL	0	15G	G14_003	TO->FROM	FPL SWITCH - WOODWARD 138KV CKT 1	153	0.04267	146.8954	GEN520922 1-SLEEPING BEAR
FDNS	01G14_003	0	15G	G14_003	TO->FROM	FPL SWITCH - WOODWARD 138KV CKT 1	153	0.04761	146.486	WOODWARD (WOODWRD2) 138/69/13.2KV TRANSFORMER CKT 1
FDNS	01ALL	0	15G	G14_003	TO->FROM	FPL SWITCH - WOODWARD 138KV CKT 1	153	0.04978	146.3801	IODINE - WOODWARD EHV 138KV CKT 1
FDNS	01ALL	0	15G	G14_003	TO->FROM	FPL SWITCH - WOODWARD 138KV CKT 1	153	0.05024	146.1523	THISTLE7 345.00 - WOODWARD DISTRICT EHV 345KV CKT 1
FDNS	01ALL	0	15G	G14_003	TO->FROM	FPL SWITCH - WOODWARD 138KV CKT 1	153	0.05024	146.1523	THISTLE7 345.00 - WOODWARD DISTRICT EHV 345KV CKT 2
FDNS	01ALL	0	15G	G14_003	TO->FROM	FPL SWITCH - WOODWARD 138KV CKT 1	153	0.05336	144.5816	DBL-BVR-G111
FDNS	01ALL	0	15G	G14_003	TO->FROM	FPL SWITCH - WOODWARD 138KV CKT 1	153	0.04978	144.516	DEWEY - IODINE 138KV CKT 1
FDNS	01ALL	0	15G	G14_003	TO->FROM	FPL SWITCH - WOODWARD 138KV CKT 1	153	0.04641	142.6407	BORDER 7345.00 - TUCO INTERCHANGE 345KV CKT 1
FDNS	1	0	15G	G14_003	TO->FROM	FPL SWITCH - WOODWARD 138KV CKT 1	153	0.04755	142.4312	WOODWARD (WOODWRD2) 138/69/13.2KV TRANSFORMER CKT 1
FDNS	01ALL	0	15G	G14_003	TO->FROM	FPL SWITCH - WOODWARD 138KV CKT 1	153	0.04788	141.9472	WOODWARD - WOODWARD 69KV CKT 1
FDNS	01ALL	0	15G	G14_003	TO->FROM	FPL SWITCH - WOODWARD 138KV CKT 1	153	0.05336	141.546	DBL-G1114-WW
FDNS	01ALL	0	15G	G14_003	TO->FROM	FPL SWITCH - WOODWARD 138KV CKT 1	153	0.04304	141.167	FT SUPPLY - IODINE 138KV CKT 1
FDNS	06ALL	0	15G	G14_003	TO->FROM	FPL SWITCH - WOODWARD 138KV CKT 1	153	0.11147	140.8234	NORTHWEST - TATONGA7 345.00 345KV CKT 1
FDNS	01G14_003	0	15G	G14_003	TO->FROM	FPL SWITCH - WOODWARD 138KV CKT 1	153	0.05315	140.7917	DBL-HTCH-BVR
FDNS	01ALL	0	15G	G14_003	TO->FROM	FPL SWITCH - WOODWARD 138KV CKT 1	153	0.04641	140.5161	BORDER 7345.00 - WOODWARD DISTRICT EHV 345KV CKT 1
FDNS	01ALL	0	15G	G14_003	TO->FROM	FPL SWITCH - WOODWARD 138KV CKT 1	153	0.04304	139.7259	IODINE - MOORELAND 138KV CKT 1
FDNS	01ALL	0	15G	G14_003	TO->FROM	FPL SWITCH - WOODWARD 138KV CKT 1	153	0.04594	139.174	THISTLE7 345.00 - WICHITA 345KV CKT 1
FDNS	01ALL	0	15G	G14_003	TO->FROM	FPL SWITCH - WOODWARD 138KV CKT 1	153	0.04594	139.174	THISTLE7 345.00 - WICHITA 345KV CKT 2
FDNS	01G14_003	0	15G	G14_003	TO->FROM	FPL SWITCH - WOODWARD 138KV CKT 1	153	0.04243	138.1772	BASE CASE
FDNS	01G14_003	0	15G	G14_003	TO->FROM	FPL SWITCH - WOODWARD 138KV CKT 1	153	0.04243	138.1772	BASE CASE

SOLUTION	GROUP	SCENARIO	SEASON	SOURCE	DIRECTION	MONITORED ELEMENT	RATEB (MVA)	TDF	TC%LOADING (% MVA)	CONTINGENCY
FDNS	01G14_003	0	15G	G14_003	TO->FROM	FPL SWITCH - WOODWARD 138KV CKT 1	153	0.04949	138.0852	IODINE - WOODWARD EHV 138KV CKT 1
FDNS	06ALL	0	15G	G14_003	TO->FROM	FPL SWITCH - WOODWARD 138KV CKT 1	153	0.11147	137.6033	SPSCONT-05B
FDNS	01G14_003	0	15G	G14_003	TO->FROM	FPL SWITCH - WOODWARD 138KV CKT 1	153	0.04243	137.4195	GEN515787 1-OKLA WIND ENERGY CENTER
FDNS	06ALL	0	15G	G14_003	TO->FROM	FPL SWITCH - WOODWARD 138KV CKT 1	153	0.11147	137.0353	SPSCONT-04
FDNS	01G14_003	0	15G	G14_003	TO->FROM	FPL SWITCH - WOODWARD 138KV CKT 1	153	0.04481	136.7087	DEWEY - TALOGA 138KV CKT 1
FDNS	01G14_003	0	15G	G14_003	TO->FROM	FPL SWITCH - WOODWARD 138KV CKT 1	153	0.04949	136.2282	DEWEY - IODINE 138KV CKT 1
FDNS	01ALL	0	15G	G14_003	TO->FROM	FPL SWITCH - WOODWARD 138KV CKT 1	153	0.04267	135.7299	GEN515389 1-TLGWND-WTG1 0.7000
FDNS	1	0	15G	G14_003	TO->FROM	FPL SWITCH - WOODWARD 138KV CKT 1	153	0.0531	135.5149	DBL-HTCH-BVR
FDNS	06ALL	0	15G	G14_003	TO->FROM	FPL SWITCH - WOODWARD 138KV CKT 1	153	0.05517	135.3402	DBL-THIS-WIC
FDNS	01G14_003	0	15G	G14_003	TO->FROM	FPL SWITCH - WOODWARD 138KV CKT 1	153	0.05003	135.1808	THISTLE7 345.00 - WOODWARD DISTRICT EHV 345KV CKT 1
FDNS	01G14_003	0	15G	G14_003	TO->FROM	FPL SWITCH - WOODWARD 138KV CKT 1	153	0.05003	135.1808	THISTLE7 345.00 - WOODWARD DISTRICT EHV 345KV CKT 2
FDNS	01G14_003	0	15G	G14_003	TO->FROM	FPL SWITCH - WOODWARD 138KV CKT 1	153	0.04243	134.958	GEN520922 1-SLEEPING BEAR
FDNS	01ALL	0	15G	G14_003	TO->FROM	FPL SWITCH - WOODWARD 138KV CKT 1	153	0.04414	134.918	POTTER COUNTY INTERCHANGE (WAUK 90343-A) 345/230/13.2KV TRANSFORMER CKT 1
FDNS	01ALL	0	15G	G14_003	TO->FROM	FPL SWITCH - WOODWARD 138KV CKT 1	153	0.04355	134.6434	LAWTON EASTSIDE - OKLAUNION 345KV CKT 1
FDNS	01ALL	0	15G	G14_003	TO->FROM	FPL SWITCH - WOODWARD 138KV CKT 1	153	0.04267	134.3741	GEN514805 1-SOONER UNIT 1
FDNS	1	0	15G	G14_003	TO->FROM	FPL SWITCH - WOODWARD 138KV CKT 1	153	0.04238	134.0671	BASE CASE
FDNS	1	0	15G	G14_003	TO->FROM	FPL SWITCH - WOODWARD 138KV CKT 1	153	0.04238	134.0671	BASE CASE
FDNS	1	0	15G	G14_003	TO->FROM	FPL SWITCH - WOODWARD 138KV CKT 1	153	0.04943	133.8546	IODINE - WOODWARD EHV 138KV CKT 1
FDNS	1	0	15G	G14_003	TO->FROM	FPL SWITCH - WOODWARD 138KV CKT 1	153	0.04238	133.7532	GEN515787 1-OKLA WIND ENERGY CENTER
FDNS	01ALL	0	15G	G14_003	TO->FROM	FPL SWITCH - WOODWARD 138KV CKT 1	153	0.04267	133.7342	GEN520443 1-REDHIL-WTG1 12.000
FDNS	01G14_003	0	15G	G14_003	TO->FROM	FPL SWITCH - WOODWARD 138KV CKT 1	153	0.04761	133.4953	WOODWARD - WOODWARD 69KV CKT 1
FDNS	01ALL	0	15G	G14_003	TO->FROM	FPL SWITCH - WOODWARD 138KV CKT 1	153	0.04414	133.4798	SPP-SWPS-04
FDNS	01ALL	0	15G	G14_003	TO->FROM	FPL SWITCH - WOODWARD 138KV CKT 1	153	0.04414	133.4174	Hitchland Interchange - POTTER COUNTY INTERCHANGE 345KV CKT 1
FDNS	01G14_003	0	15G	G14_003	TO->FROM	FPL SWITCH - WOODWARD 138KV CKT 1	153	0.0462	133.1839	BORDER 7345.00 - TUCO INTERCHANGE 345KV CKT 1
FDNS	01ALL	0	15G	G14_003	TO->FROM	FPL SWITCH - WOODWARD 138KV CKT 1	153	0.0426	133.1597	ELK CITY 230KV - SWEETWATER 230KV CKT 1
FDNS	01ALL	0	15G	G14_003	TO->FROM	FPL SWITCH - WOODWARD 138KV CKT 1	153	0.0426	133.1559	ELK CITY 230KV (ELKCTY-6) 230/138/13.8KV TRANSFORMER CKT 1
FDNS	1	0	15G	G14_003	TO->FROM	FPL SWITCH - WOODWARD 138KV CKT 1	153	0.04476	132.9324	DEWEY - TALOGA 138KV CKT 1
FDNS	01ALL	0	15G	G14_003	TO->FROM	FPL SWITCH - WOODWARD 138KV CKT 1	153	0.04504	132.8488	FINNEY SWITCHING STATION - HOLCOMB 345KV CKT 1
FDNS	01ALL	0	15G	G14_003	TO->FROM	FPL SWITCH - WOODWARD 138KV CKT 1	153	0.04266	132.7059	GRAPEVINE INTERCHANGE - NICHOLS STATION 230KV CKT 1
FDNS	01ALL	0	15G	G14_003	TO->FROM	FPL SWITCH - WOODWARD 138KV CKT 1	153	0.04267	132.5069	GEN514806 1-SOONER UNIT 2
FDNS	01ALL	0	15G	G14_003	TO->FROM	FPL SWITCH - WOODWARD 138KV CKT 1	153	0.0435	132.18	G11-17T 345.00 - POST ROCK 345KV CKT 1
FDNS	06ALL	0	15G	G14_003	TO->FROM	FPL SWITCH - WOODWARD 138KV CKT 1	153	0.07148	132.0405	DBL-THIS-WWR
FDNS	1	0	15G	G14_003	TO->FROM	FPL SWITCH - WOODWARD 138KV CKT 1	153	0.04943	132.0074	DEWEY - IODINE 138KV CKT 1
FDNS	01ALL	0	15G	G14_003	TO->FROM	FPL SWITCH - WOODWARD 138KV CKT 1	153	0.04504	131.9369	SPP-SWPS-05
FDNS	01ALL	0	15G	G14_003	TO->FROM	FPL SWITCH - WOODWARD 138KV CKT 1	153	0.04504	131.8774	FINNEY SWITCHING STATION - Hitchland Interchange 345KV CKT 1
FDNS	01ALL	0	15G	G14_003	TO->FROM	FPL SWITCH - WOODWARD 138KV CKT 1	153	0.04433	131.7927	CARTER JCT - WOODWARD 69KV CKT 1
FDNS	01ALL	0	15G	G14_003	TO->FROM	FPL SWITCH - WOODWARD 138KV CKT 1	153	0.04291	131.6299	MOORELAND - TALOGA 138KV CKT 1
FDNS	01ALL	0	15G	G14_003	TO->FROM	FPL SWITCH - WOODWARD 138KV CKT 1	153	0.04414	131.5961	SPSCONT-02
FDNS	01ALL	0	15G	G14_003	TO->FROM	FPL SWITCH - WOODWARD 138KV CKT 1	153	0.0435	131.3743	G11-17T 345.00 - SPEARVILLE 345KV CKT 1
FDNS	01G14_003	0	15G	G14_003	TO->FROM	FPL SWITCH - WOODWARD 138KV CKT 1	153	0.05315	131.3689	DBL-BVR-G111
FDNS	1	0	15G	G14_003	TO->FROM	FPL SWITCH - WOODWARD 138KV CKT 1	153	0.04238	131.321	GEN520922 1-SLEEPING BEAR
FDNS	01ALL	0	15G	G14_003	TO->FROM	FPL SWITCH - WOODWARD 138KV CKT 1	153	0.04267	131.2535	GEN560773 1-BUFBER-WTG1 0.6000
FDNS	01ALL	0	15G	G14_003	TO->FROM	FPL SWITCH - WOODWARD 138KV CKT 1	153	0.04221	131.2428	WOODRING (WOODRNG2) 345/138/13.8KV TRANSFORMER CKT 1
FDNS	01ALL	0	15G	G14_003	TO->FROM	FPL SWITCH - WOODWARD 138KV CKT 1	153	0.04433	131.2066	CARTER JCT - MOORELAND 69KV CKT 1
FDNS	01ALL	0	15G	G14_003	TO->FROM	FPL SWITCH - WOODWARD 138KV CKT 1	153	0.04433	131.2066	MOORELAND (MOORELND) 138/69/13.8KV TRANSFORMER CKT 1
FDNS	01G14_003	0	15G	G14_003	TO->FROM	FPL SWITCH - WOODWARD 138KV CKT 1	153	0.0462	131.0668	BORDER 7345.00 - WOODWARD DISTRICT EHV 345KV CKT 1
FDNS	01ALL	0	15G	G14_003	TO->FROM	FPL SWITCH - WOODWARD 138KV CKT 1	153	0.04267	130.9732	GEN336821 1-GRAND GULF UNIT
FDNS	01ALL	0	15G	G14_003	TO->FROM	FPL SWITCH - WOODWARD 138KV CKT 1	153	0.04267	130.9408	GEN520947 1-HUGO1
FDNS	01ALL	0	15G	G14_003	TO->FROM	FPL SWITCH - WOODWARD 138KV CKT 1	153	0.04267	130.8456	GEN515226 1-MUSKOGEE 6G
FDNS	01ALL	0	15G	G14_003	TO->FROM	FPL SWITCH - WOODWARD 138KV CKT 1	153	0.04267	130.8215	GEN337911 1-ARKANSAS NUCLEAR ONE UNIT #2
FDNS	1	0	15G	G14_003	TO->FROM	FPL SWITCH - WOODWARD 138KV CKT 1	153	0.04998	130.7938	THISTLE7 345.00 - WOODWARD DISTRICT EHV 345KV CKT 1
FDNS	1	0	15G	G14_003	TO->FROM	FPL SWITCH - WOODWARD 138KV CKT 1	153	0.04998	130.7938	THISTLE7 345.00 - WOODWARD DISTRICT EHV 345KV CKT 2
FDNS	01ALL	0	15G	G14_003	TO->FROM	FPL SWITCH - WOODWARD 138KV CKT 1	153	0.04313	130.7669	SPP-MKEC-08
FDNS	01ALL	0	15G	G14_003	TO->FROM	FPL SWITCH - WOODWARD 138KV CKT 1	153	0.04267	130.7585	GEN509416 1-TURK GENERATION
FDNS	01ALL	0	15G	G14_003	TO->FROM	FPL SWITCH - WOODWARD 138KV CKT 1	153	0.04267	130.7498	GEN509403 1-PIRKEY GENERATION
FDNS	01ALL	0	15G	G14_003	TO->FROM	FPL SWITCH - WOODWARD 138KV CKT 1	153	0.04537	130.6042	CIMARRON - NORTHWEST 345KV CKT 1
FDNS	01ALL	0	15G	G14_003	TO->FROM	FPL SWITCH - WOODWARD 138KV CKT 1	153	0.04267	130.5661	GEN515225 1-MUSKOGEE 5G
FDNS	01ALL	0	15G	G14_003	TO->FROM	FPL SWITCH - WOODWARD 138KV CKT 1	153	0.04267	130.5658	GEN515223 1-MUSKOGEE 4G
FDNS	01ALL	0	15G	G14_003	TO->FROM	FPL SWITCH - WOODWARD 138KV CKT 1	153	0.0426	130.5652	GRAPEVINE INTERCHANGE - STATELINE INTERCHANGE 230KV CKT 1
FDNS	01ALL	0	15G	G14_003	TO->FROM	FPL SWITCH - WOODWARD 138KV CKT 1	153	0.04348	130.5607	MINGO - SETAB 345KV CKT 1
FDNS	01ALL	0	15G	G14_003	TO->FROM	FPL SWITCH - WOODWARD 138KV CKT 1	153	0.0426	130.5174	SPP-SWPS-02A
FDNS	01ALL	0	15G	G14_003	TO->FROM	FPL SWITCH - WOODWARD 138KV CKT 1	153	0.04267	130.5166	GEN336153 1-WATERFORD UNIT#3
FDNS	01ALL	0	15G	G14_003	TO->FROM	FPL SWITCH - WOODWARD 138KV CKT 1	153	0.04267	130.5055	GEN560687 1-G11-007 0.5750
FDNS	01ALL	0	15G	G14_003	TO->FROM	FPL SWITCH - WOODWARD 138KV CKT 1	153	0.04267	130.3708	GEN337910 1-ARKANSAS NUCLEAR ONE UNIT #1
FDNS	01ALL	0	15G	G14_003	TO->FROM	FPL SWITCH - WOODWARD 138KV CKT 1	153	0.04267	130.294	GEN501801 1-DOLET HILLS UNIT1

SOLUTION	GROUP	SCENARIO	SEASON	SOURCE	DIRECTION	MONITORED ELEMENT	RATEB (MVA)	TDF	TC%LOADING (% MVA)	CONTINGENCY	
FDNS	01ALL		0	15G	G14_003	TO->FROM	FPL SWITCH - WOODWARD 138KV CKT 1	153	0.04267	130.2537	GEN509406 1-WELSH #3
FDNS	01ALL		0	15G	G14_003	TO->FROM	FPL SWITCH - WOODWARD 138KV CKT 1	153	0.04267	130.2535	GEN509404 1-WELSH #1
FDNS	01ALL		0	15G	G14_003	TO->FROM	FPL SWITCH - WOODWARD 138KV CKT 1	153	0.04301	130.2422	FLATRDG3 - HARPER 138KV CKT 1
FDNS	01ALL		0	15G	G14_003	TO->FROM	FPL SWITCH - WOODWARD 138KV CKT 1	153	0.04267	130.2016	GEN335831 1-RIVERBEND UNIT#1
FDNS	01ALL		0	15G	G14_003	TO->FROM	FPL SWITCH - WOODWARD 138KV CKT 1	153	0.04311	130.1462	FLATRDG3 - THISTLE4 138.00 138KV CKT 1
FDNS	01ALL		0	15G	G14_003	TO->FROM	FPL SWITCH - WOODWARD 138KV CKT 1	153	0.04311	130.146	THISTLE7 345.00 (THISTLE T1) 345/138/13.8KV TRANSFORMER CKT 1
FDNS	01G14_003		0	15G	G14_003	TO->FROM	FPL SWITCH - WOODWARD 138KV CKT 1	153	0.0457	130.073	THISTLE7 345.00 - WICHITA 345KV CKT 1
FDNS	01G14_003		0	15G	G14_003	TO->FROM	FPL SWITCH - WOODWARD 138KV CKT 1	153	0.0457	130.073	THISTLE7 345.00 - WICHITA 345KV CKT 2
FDNS	01ALL		0	15G	G14_003	TO->FROM	FPL SWITCH - WOODWARD 138KV CKT 1	153	0.04267	130.0528	GEN511839 1-NORTHEASTERN STATION #2
FDNS	01G14_003		0	15G	G14_003	TO->FROM	FPL SWITCH - WOODWARD 138KV CKT 1	153	0.04279	130.001	FT SUPPLY - IODINE 138KV CKT 1
FDNS	1		0	15G	G14_003	TO->FROM	FPL SWITCH - WOODWARD 138KV CKT 1	153	0.04755	129.5216	WOODWARD - WOODWARD 69KV CKT 1
FDNS	01ALL		0	15G	G14_003	TO->FROM	FPL SWITCH - WOODWARD 138KV CKT 1	153	0.03874	129.178	WOODWARD DISTRICT EHV (WWDEHV-T2) 345/138/13.8KV TRANSFORMER CKT 2
FDNS	1		0	15G	G14_003	TO->FROM	FPL SWITCH - WOODWARD 138KV CKT 1	153	0.04616	129.139	BORDER 7345.00 - TUCO INTERCHANGE 345KV CKT 1
FDNS	01ALL		0	15G	G14_003	TO->FROM	FPL SWITCH - WOODWARD 138KV CKT 1	153	0.03893	129.0643	WOODWARD DISTRICT EHV (WWDEHV) 345/138/13.8KV TRANSFORMER CKT 1
FDNS	06ALL		0	15G	G14_003	TO->FROM	FPL SWITCH - WOODWARD 138KV CKT 1	153	0.04666	128.8896	WOODWARD (WOODWRD2) 138/69/13.2KV TRANSFORMER CKT 1
FDNS	6		0	15G	G14_003	TO->FROM	FPL SWITCH - WOODWARD 138KV CKT 1	153	0.1116	128.635	SPSCONT-05B
FDNS	01G14_003		0	15G	G14_003	TO->FROM	FPL SWITCH - WOODWARD 138KV CKT 1	153	0.04279	128.5285	IODINE - MOORELAND 138KV CKT 1
FDNS	01G14_003		0	15G	G14_003	TO->FROM	FPL SWITCH - WOODWARD 138KV CKT 1	153	0.05315	128.4495	DBL-G1114-WW
FDNS	01ALL		0	15G	G14_003	TO->FROM	FPL SWITCH - WOODWARD 138KV CKT 1	153	0.04267	128.0262	NC1_GEN-NEBRASKA CITY 1
FDNS	6		0	15G	G14_003	TO->FROM	FPL SWITCH - WOODWARD 138KV CKT 1	153	0.1116	127.7672	SPSCONT-04
FDNS	01G14_003		0	15G	G14_003	TO->FROM	FPL SWITCH - WOODWARD 138KV CKT 1	153	0.04324	127.3883	LAWTON EASTSIDE - OKLAUNION 345KV CKT 1
FDNS	1		0	15G	G14_003	TO->FROM	FPL SWITCH - WOODWARD 138KV CKT 1	153	0.04616	127.0517	BORDER 7345.00 - WOODWARD DISTRICT EHV 345KV CKT 1
FDNS	01G14_003		0	15G	G14_003	TO->FROM	FPL SWITCH - WOODWARD 138KV CKT 1	153	0.04243	126.6989	GEN514805 1-SOONER UNIT 1
FDNS	1		0	15G	G14_003	TO->FROM	FPL SWITCH - WOODWARD 138KV CKT 1	153	0.0531	126.5654	DBL-BVR-G111
FDNS	01G14_003		0	15G	G14_003	TO->FROM	FPL SWITCH - WOODWARD 138KV CKT 1	153	0.0439	126.4703	POTTER COUNTY INTERCHANGE (WAUK 90343-A) 345/230/13.2KV TRANSFORMER CKT 1
FDNS	1		0	15G	G14_003	TO->FROM	FPL SWITCH - WOODWARD 138KV CKT 1	153	0.04274	126.338	FT SUPPLY - IODINE 138KV CKT 1
FDNS	01G14_003		0	15G	G14_003	TO->FROM	FPL SWITCH - WOODWARD 138KV CKT 1	153	0.04243	126.2184	GEN515389 1-TLGWND-WTG1 0.7000
FDNS	1		0	15G	G14_003	TO->FROM	FPL SWITCH - WOODWARD 138KV CKT 1	153	0.04565	126.1503	THISTLE7 345.00 - WICHITA 345KV CKT 1
FDNS	1		0	15G	G14_003	TO->FROM	FPL SWITCH - WOODWARD 138KV CKT 1	153	0.04565	126.1503	THISTLE7 345.00 - WICHITA 345KV CKT 2
FDNS	01ALL		0	15G	G14_003	TO->FROM	FPL SWITCH - WOODWARD 138KV CKT 1	153	0.04267	126.1344	WHITEHORSE 69.000 69KV SWITCHED SHUNT
FDNSLock	01ALL		0	15G	G14_003	TO->FROM	FPL SWITCH - WOODWARD 138KV CKT 1	153	0.04267	126.1344	WHITEHORSE 69.000 69KV SWITCHED SHUNT
FDNS	01ALL		0	15G	G14_003	TO->FROM	FPL SWITCH - WOODWARD 138KV CKT 1	153	0.04223	126.0618	DOVER - TWIN LAKES 138KV CKT 1
FDNS	01G14_003		0	15G	G14_003	TO->FROM	FPL SWITCH - WOODWARD 138KV CKT 1	153	0.04243	126.0444	GEN520443 1-REDHIL-WTG1 12.000
FDNS	01G14_003		0	15G	G14_003	TO->FROM	FPL SWITCH - WOODWARD 138KV CKT 1	153	0.04233	126.0319	ELK CITY 230KV - SWEETWATER 230KV CKT 1
FDNS	01G14_003		0	15G	G14_003	TO->FROM	FPL SWITCH - WOODWARD 138KV CKT 1	153	0.04233	126.0273	ELK CITY 230KV (ELKCTY-6) 230/138/13.8KV TRANSFORMER CKT 1
FDNS	01ALL		0	15G	G14_003	TO->FROM	FPL SWITCH - WOODWARD 138KV CKT 1	153	0.04245	126.0045	BRANTLEY - MORWOOD 138KV CKT 1
FDNS	01ALL		0	15G	G14_003	TO->FROM	FPL SWITCH - WOODWARD 138KV CKT 1	153	0.04245	125.9959	MOREWOOD SW - MORWOOD 138KV CKT 1
FDNS	01ALL		0	15G	G14_003	TO->FROM	FPL SWITCH - WOODWARD 138KV CKT 1	153	0.04267	125.9681	GEN539670 4-JUDSON LARGE GENERATOR
FDNS	01ALL		0	15G	G14_003	TO->FROM	FPL SWITCH - WOODWARD 138KV CKT 1	153	0.04223	125.9513	DOVER - DOVER SW 138KV CKT 1
FDNS	01ALL		0	15G	G14_003	TO->FROM	FPL SWITCH - WOODWARD 138KV CKT 1	153	0.04267	125.9069	GEN527163 1-MUSTANG GEN #3 22 KV
FDNS	01ALL		0	15G	G14_003	TO->FROM	FPL SWITCH - WOODWARD 138KV CKT 1	153	0.0426	125.9057	CRESWELL - MIDLTNT4 138.00 138KV CKT 1
FDNS	01ALL		0	15G	G14_003	TO->FROM	FPL SWITCH - WOODWARD 138KV CKT 1	153	0.04267	125.9002	GEN527901 1-HOBBS PLANT #1 (CT)
FDNS	01ALL		0	15G	G14_003	TO->FROM	FPL SWITCH - WOODWARD 138KV CKT 1	153	0.04267	125.9002	GEN527902 1-HOBBS PLANT #2 (CT)
FDNS	01ALL		0	15G	G14_003	TO->FROM	FPL SWITCH - WOODWARD 138KV CKT 1	153	0.0426	125.7995	STATELINE INTERCHANGE - STLN-DEMARC6 230KV CKT 1
FDNS	01ALL		0	15G	G14_003	TO->FROM	FPL SWITCH - WOODWARD 138KV CKT 1	153	0.0426	125.7949	SPP-SWPS-02
FDNS	01ALL		0	15G	G14_003	TO->FROM	FPL SWITCH - WOODWARD 138KV CKT 1	153	0.0426	125.7883	STLN-DEMARC6 - SWEETWATER 230KV CKT 1
FDNS	01ALL		0	15G	G14_003	TO->FROM	FPL SWITCH - WOODWARD 138KV CKT 1	153	0.04266	125.7424	DELAWARE - NORTHEAST STATION 345KV CKT 1
FDNS	01ALL		0	15G	G14_003	TO->FROM	FPL SWITCH - WOODWARD 138KV CKT 1	153	0.04364	125.7321	SPP-SWPS-01
FDNS	01ALL		0	15G	G14_003	TO->FROM	FPL SWITCH - WOODWARD 138KV CKT 1	153	0.04267	125.638	GEN526331 1-JONES GEN #1 22 KV
FDNS	01ALL		0	15G	G14_003	TO->FROM	FPL SWITCH - WOODWARD 138KV CKT 1	153	0.04267	125.5812	GEN515449 1-CRSRDW11 0.6900
FDNS	01ALL		0	15G	G14_003	TO->FROM	FPL SWITCH - WOODWARD 138KV CKT 1	153	0.04216	125.5713	CLINTON AIR FORCE BASE TAP - HOBART JUNCTION 138KV CKT 1
FDNS	01ALL		0	15G	G14_003	TO->FROM	FPL SWITCH - WOODWARD 138KV CKT 1	153	0.04267	125.5697	GEN640011 2-GERALD GENTLEMAN STATION UNIT 2
FDNS	01ALL		0	15G	G14_003	TO->FROM	FPL SWITCH - WOODWARD 138KV CKT 1	153	0.04249	125.5397	BUFFALO - WEST 69KV CKT 1
FDNS	01ALL		0	15G	G14_003	TO->FROM	FPL SWITCH - WOODWARD 138KV CKT 1	153	0.04267	125.5182	GEN640010 1-GERALD GENTLEMAN STATION UNIT 1
FDNS	01ALL		0	15G	G14_003	TO->FROM	FPL SWITCH - WOODWARD 138KV CKT 1	153	0.04267	125.4694	GEN515450 1-CRSRDW21 0.6900
FDNS	01ALL		0	15G	G14_003	TO->FROM	FPL SWITCH - WOODWARD 138KV CKT 1	153	0.04267	125.4549	GEN635214 4-NEAL UNIT 4
FDNS	01ALL		0	15G	G14_003	TO->FROM	FPL SWITCH - WOODWARD 138KV CKT 1	153	0.04216	125.3729	CLINTON AIR FORCE BASE TAP - ELK CITY 138KV CKT 1
FDNS	01ALL		0	15G	G14_003	TO->FROM	FPL SWITCH - WOODWARD 138KV CKT 1	153	0.04267	125.2885	GEN527166 1-MUSTANG_6 118.000
FDNS	01ALL		0	15G	G14_003	TO->FROM	FPL SWITCH - WOODWARD 138KV CKT 1	153	0.04267	125.2616	GEN635023 3-WALTER SCOTT UNIT 3
FDNS	01ALL		0	15G	G14_003	TO->FROM	FPL SWITCH - WOODWARD 138KV CKT 1	153	0.04355	125.2591	OKLAUNION - TUCO INTERCHANGE 345KV CKT 1
FDNS	01G14_003		0	15G	G14_003	TO->FROM	FPL SWITCH - WOODWARD 138KV CKT 1	153	0.04241	125.1104	GRAPEVINE INTERCHANGE - NICHOLS STATION 230KV CKT 1
FDNS	01ALL		0	15G	G14_003	TO->FROM	FPL SWITCH - WOODWARD 138KV CKT 1	153	0.04233	125.0908	CLINTON JUNCTION - ELK CITY 138KV CKT 1
FDNS	01ALL		0	15G	G14_003	TO->FROM	FPL SWITCH - WOODWARD 138KV CKT 1	153	0.04267	125.0245	GEN635213 3-NEAL UNIT 3

SOLUTION	GROUP	SCENARIO	SEASON	SOURCE	DIRECTION	MONITORED ELEMENT	RATEB (MVA)	TDF	TC%LOADING (% MVA)	CONTINGENCY
FDNS	01G14_003	0	15G	G14_003	TO->FROM	FPL SWITCH - WOODWARD 138KV CKT 1	153	0.0439	125.0037	SPP-SWPS-04
FDNS	01ALL	0	15G	G14_003	TO->FROM	FPL SWITCH - WOODWARD 138KV CKT 1	153	0.04249	124.9581	BUFBEAR2 - BUFFALO 69KV CKT 1
FDNS	01ALL	0	15G	G14_003	TO->FROM	FPL SWITCH - WOODWARD 138KV CKT 1	153	0.04232	124.9518	RANCRD7 345.00 - SOONER 345KV CKT 1
FDNS	01ALL	0	15G	G14_003	TO->FROM	FPL SWITCH - WOODWARD 138KV CKT 1	153	0.04232	124.9451	OPENSKY7 345.00 - RANCRD7 345.00 345KV CKT 1
FDNS	01G14_003	0	15G	G14_003	TO->FROM	FPL SWITCH - WOODWARD 138KV CKT 1	153	0.0439	124.9419	Hitchland Interchange - POTTER COUNTY INTERCHANGE 345KV CKT 1
FDNS	1	0	15G	G14_003	TO->FROM	FPL SWITCH - WOODWARD 138KV CKT 1	153	0.04274	124.8703	IODINE - MOORELAND 138KV CKT 1
FDNS	01ALL	0	15G	G14_003	TO->FROM	FPL SWITCH - WOODWARD 138KV CKT 1	153	0.04242	124.7681	KNOBHILL (KNOBHILA) 138/69/13.2KV TRANSFORMER CKT 1
FDNS	01G14_003	0	15G	G14_003	TO->FROM	FPL SWITCH - WOODWARD 138KV CKT 1	153	0.04243	124.7518	GEN514806 1-SOONER UNIT 2
FDNS	01ALL	0	15G	G14_003	TO->FROM	FPL SWITCH - WOODWARD 138KV CKT 1	153	0.04242	124.7282	KNOBHILL - NOEL_SW 138.00 138KV CKT 1
FDNS	01ALL	0	15G	G14_003	TO->FROM	FPL SWITCH - WOODWARD 138KV CKT 1	153	0.04267	124.4852	GEN527903 1-HOBBS PLANT #3 (ST)
FDNS	01ALL	0	15G	G14_003	TO->FROM	FPL SWITCH - WOODWARD 138KV CKT 1	153	0.04267	124.3062	GEN562078 1-G11_051_3 0.6900
FDNS	01ALL	0	15G	G14_003	TO->FROM	FPL SWITCH - WOODWARD 138KV CKT 1	153	0.04267	124.2868	GEN562472 1-G13_035_3 0.6900
FDNS	01ALL	0	15G	G14_003	TO->FROM	FPL SWITCH - WOODWARD 138KV CKT 1	153	0.04267	124.1847	GEN635024 4-WALTER SCOTT UNIT 4
FDNS	01ALL	0	15G	G14_003	TO->FROM	FPL SWITCH - WOODWARD 138KV CKT 1	153	0.0386	124.1164	SAND RDG 138138.00 - WAKITA_138 138.00 138KV CKT 1
FDNS	01ALL	0	15G	G14_003	TO->FROM	FPL SWITCH - WOODWARD 138KV CKT 1	153	0.04232	124.1128	OPENSKY7 345.00 - ROSE HILL 345KV CKT 1
FDNS	01G14_003	0	15G	G14_003	TO->FROM	FPL SWITCH - WOODWARD 138KV CKT 1	153	0.04482	124.0565	FINNEY SWITCHING STATION - HOLCOMB 345KV CKT 1
FDNS	01G14_003	0	15G	G14_003	TO->FROM	FPL SWITCH - WOODWARD 138KV CKT 1	153	0.04196	124.015	WOODRING (WOODRNG2) 345/138/13.8KV TRANSFORMER CKT 1
FDNS	1	0	15G	G14_003	TO->FROM	FPL SWITCH - WOODWARD 138KV CKT 1	153	0.04317	123.8579	LAWTON EASTSIDE - OKLAUNION 345KV CKT 1
FDNS	01G14_003	0	15G	G14_003	TO->FROM	FPL SWITCH - WOODWARD 138KV CKT 1	153	0.04327	123.8415	G11-17T 345.00 - POST ROCK 345KV CKT 1
FDNS	1	0	15G	G14_003	TO->FROM	FPL SWITCH - WOODWARD 138KV CKT 1	153	0.0531	123.6425	DBL-G1114-WW
FDNS	01ALL	0	15G	G14_003	TO->FROM	FPL SWITCH - WOODWARD 138KV CKT 1	153	0.04267	123.3438	GEN659118 1-LARAMIE RIVER UNIT1
FDNS	01G14_003	0	15G	G14_003	TO->FROM	FPL SWITCH - WOODWARD 138KV CKT 1	153	0.04233	123.3287	SPP-SWPS-02A
FDNS	01G14_003	0	15G	G14_003	TO->FROM	FPL SWITCH - WOODWARD 138KV CKT 1	153	0.04408	123.3169	CARTER JCT - WOODWARD 69KV CKT 1
FDNS	01G14_003	0	15G	G14_003	TO->FROM	FPL SWITCH - WOODWARD 138KV CKT 1	153	0.04243	123.172	GEN336821 1-GRAND GULF UNIT
FDNS	01G14_003	0	15G	G14_003	TO->FROM	FPL SWITCH - WOODWARD 138KV CKT 1	153	0.04243	123.1437	GEN520947 1-HUGO1
FDNS	01G14_003	0	15G	G14_003	TO->FROM	FPL SWITCH - WOODWARD 138KV CKT 1	153	0.04233	123.1398	GRAPEVINE INTERCHANGE - STATELINE INTERCHANGE 230KV CKT 1
FDNS	01G14_003	0	15G	G14_003	TO->FROM	FPL SWITCH - WOODWARD 138KV CKT 1	153	0.0439	123.1185	SPSCONT-02
FDNS	1	0	15G	G14_003	TO->FROM	FPL SWITCH - WOODWARD 138KV CKT 1	153	0.04238	123.1069	GEN514805 1-SOONER UNIT 1
FDNS	01G14_003	0	15G	G14_003	TO->FROM	FPL SWITCH - WOODWARD 138KV CKT 1	153	0.04513	123.0929	CIMARRON - NORTHWEST 345KV CKT 1
FDNS	01G14_003	0	15G	G14_003	TO->FROM	FPL SWITCH - WOODWARD 138KV CKT 1	153	0.04482	123.0403	SPP-SWPS-05
FDNS	01G14_003	0	15G	G14_003	TO->FROM	FPL SWITCH - WOODWARD 138KV CKT 1	153	0.04327	123.0338	G11-17T 345.00 - SPEARVILLE 345KV CKT 1
FDNS	01G14_003	0	15G	G14_003	TO->FROM	FPL SWITCH - WOODWARD 138KV CKT 1	153	0.04243	123.0317	GEN509416 1-TURK GENERATION
FDNS	01G14_003	0	15G	G14_003	TO->FROM	FPL SWITCH - WOODWARD 138KV CKT 1	153	0.04243	123.0262	GEN337911 1-ARKANSAS NUCLEAR ONE UNIT #2
FDNS	01G14_003	0	15G	G14_003	TO->FROM	FPL SWITCH - WOODWARD 138KV CKT 1	153	0.04243	123.024	GEN515226 1-MUSKOGEE 6G
FDNS	01G14_003	0	15G	G14_003	TO->FROM	FPL SWITCH - WOODWARD 138KV CKT 1	153	0.04243	123.0148	GEN509403 1-PIRKEY GENERATION
FDNS	01G14_003	0	15G	G14_003	TO->FROM	FPL SWITCH - WOODWARD 138KV CKT 1	153	0.04482	122.9856	FINNEY SWITCHING STATION - Hitchland Interchange 345KV CKT 1
FDNS	01ALL	0	15G	G14_003	TO->FROM	FPL SWITCH - WOODWARD 138KV CKT 1	153	0.04267	122.9399	GEN523971 1-HARRINGTON GEN #1 24 KV
FDNS	01ALL	0	15G	G14_003	TO->FROM	FPL SWITCH - WOODWARD 138KV CKT 1	153	0.04267	122.9398	GEN523973 1-HARRINGTON GEN #3 24 KV
FDNS	01ALL	0	15G	G14_003	TO->FROM	FPL SWITCH - WOODWARD 138KV CKT 1	153	0.04267	122.9395	GEN523972 1-HARRINGTON GEN #2 24 KV
FDNS	01ALL	0	15G	G14_003	TO->FROM	FPL SWITCH - WOODWARD 138KV CKT 1	153	0.04267	122.9285	GEN531447 1-HOLCOMB GENERATOR
FDNS	01ALL	0	15G	G14_003	TO->FROM	FPL SWITCH - WOODWARD 138KV CKT 1	153	0.04267	122.7892	GEN560648 1-G0721_G1402 0.6900
FDNS	01G14_003	0	15G	G14_003	TO->FROM	FPL SWITCH - WOODWARD 138KV CKT 1	153	0.04268	122.7876	MOORELAND - TALOGA 138KV CKT 1
FDNS	01G14_003	0	15G	G14_003	TO->FROM	FPL SWITCH - WOODWARD 138KV CKT 1	153	0.04243	122.7356	GEN515225 1-MUSKOGEE 5G
FDNS	01G14_003	0	15G	G14_003	TO->FROM	FPL SWITCH - WOODWARD 138KV CKT 1	153	0.04243	122.7353	GEN515223 1-MUSKOGEE 4G
FDNS	01G14_003	0	15G	G14_003	TO->FROM	FPL SWITCH - WOODWARD 138KV CKT 1	153	0.04408	122.7313	CARTER JCT - MOORELAND 69KV CKT 1
FDNS	01G14_003	0	15G	G14_003	TO->FROM	FPL SWITCH - WOODWARD 138KV CKT 1	153	0.04408	122.7311	MOORELAND (MOORELND) 138/69/13.8KV TRANSFORMER CKT 1
FDNS	1	0	15G	G14_003	TO->FROM	FPL SWITCH - WOODWARD 138KV CKT 1	153	0.04384	122.7236	POTTER COUNTY INTERCHANGE (WAUK 90343-A) 345/230/13.2KV TRANSFORMER CKT 1
FDNS	01G14_003	0	15G	G14_003	TO->FROM	FPL SWITCH - WOODWARD 138KV CKT 1	153	0.04243	122.7154	GEN560773 1-BUFBER-WTG1 0.6000
FDNS	01G14_003	0	15G	G14_003	TO->FROM	FPL SWITCH - WOODWARD 138KV CKT 1	153	0.04289	122.7061	SPP-MKEC-08
FDNS	01G14_003	0	15G	G14_003	TO->FROM	FPL SWITCH - WOODWARD 138KV CKT 1	153	0.04243	122.7	GEN336153 1-WATERFORD UNIT#3
FDNS	1	0	15G	G14_003	TO->FROM	FPL SWITCH - WOODWARD 138KV CKT 1	153	0.04238	122.6812	GEN515389 1-TLGWND-WTG1 0.7000
FDNS	6	0	15G	G14_003	TO->FROM	FPL SWITCH - WOODWARD 138KV CKT 1	153	0.04674	122.617	WOODWARD (WOODWRD2) 138/69/13.2KV TRANSFORMER CKT 1
FDNS	01G14_003	0	15G	G14_003	TO->FROM	FPL SWITCH - WOODWARD 138KV CKT 1	153	0.04243	122.5571	GEN337910 1-ARKANSAS NUCLEAR ONE UNIT #1
FDNS	01G14_003	0	15G	G14_003	TO->FROM	FPL SWITCH - WOODWARD 138KV CKT 1	153	0.04243	122.4888	GEN509406 1-WELSH #3
FDNS	01G14_003	0	15G	G14_003	TO->FROM	FPL SWITCH - WOODWARD 138KV CKT 1	153	0.04243	122.4886	GEN509404 1-WELSH #1
FDNS	01G14_003	0	15G	G14_003	TO->FROM	FPL SWITCH - WOODWARD 138KV CKT 1	153	0.04243	122.4845	GEN501801 1-DOLET HILLS UNIT1
FDNS	1	0	15G	G14_003	TO->FROM	FPL SWITCH - WOODWARD 138KV CKT 1	153	0.04238	122.4756	GEN520443 1-REDHIL-WTG1 12.000
FDNS	01G14_003	0	15G	G14_003	TO->FROM	FPL SWITCH - WOODWARD 138KV CKT 1	153	0.04243	122.3727	GEN335831 1-RIVERBEND UNIT#1
FDNS	01G14_003	0	15G	G14_003	TO->FROM	FPL SWITCH - WOODWARD 138KV CKT 1	153	0.04325	122.2804	MINGO - SETAB 345KV CKT 1
FDNS	01G14_003	0	15G	G14_003	TO->FROM	FPL SWITCH - WOODWARD 138KV CKT 1	153	0.04276	122.2558	FLATRDG3 - HARPER 138KV CKT 1
FDNS	01G14_003	0	15G	G14_003	TO->FROM	FPL SWITCH - WOODWARD 138KV CKT 1	153	0.04243	122.2507	GEN511839 1-NORTHEASTERN STATION #2
FDNS	01G14_003	0	15G	G14_003	TO->FROM	FPL SWITCH - WOODWARD 138KV CKT 1	153	0.04243	122.2437	GEN511840 1-NORTHEASTERN STATION #3
FDNS	01G14_003	0	15G	G14_003	TO->FROM	FPL SWITCH - WOODWARD 138KV CKT 1	153	0.04243	122.2113	GEN509394 1-FLINT CREEK
FDNS	01G14_003	0	15G	G14_003	TO->FROM	FPL SWITCH - WOODWARD 138KV CKT 1	153	0.04243	122.1992	GEN511841 1-NORTHEASTERN STATION #4
FDNS	1	0	15G	G14_003	TO->FROM	FPL SWITCH - WOODWARD 138KV CKT 1	153	0.04228	122.1964	ELK CITY 230KV - SWEETWATER 230KV CKT 1

SOLUTION	GROUP	SCENARIO	SEASON	SOURCE	DIRECTION	MONITORED ELEMENT	RATEB (MVA)	TDF	TC%LOADING (% MVA)	CONTINGENCY	
FDNS	1		0	15G	G14_003	TO->FROM	FPL SWITCH - WOODWARD 138KV CKT 1	153	0.04228	122.1873	ELK CITY 230KV (ELKCTY-6) 230/138/13.8KV TRANSFORMER CKT 1
FDNS	01G14_003		0	15G	G14_003	TO->FROM	FPL SWITCH - WOODWARD 138KV CKT 1	153	0.04243	122.1784	GEN560687 1-G11-007 0.5750
FDNS	01ALL		0	15G	G14_003	TO->FROM	FPL SWITCH - WOODWARD 138KV CKT 1	153	0.03963	122.0999	SANDY_CN 138138.00 - WAKITA 138 138.00 138KV CKT 1
FDNS	06ALL		0	15G	G14_003	TO->FROM	FPL SWITCH - WOODWARD 138KV CKT 1	153	0.04846	122.0829	IODINE - WOODWARD EHV 138KV CKT 1
FDNS	1		0	15G	G14_003	TO->FROM	FPL SWITCH - WOODWARD 138KV CKT 1	153	0.04235	121.5428	GRAPEVINE INTERCHANGE - NICHOLS STATION 230KV CKT 1
FDNS	1		0	15G	G14_003	TO->FROM	FPL SWITCH - WOODWARD 138KV CKT 1	153	0.04384	121.2695	SPP-SWPS-04
FDNS	01ALL		0	15G	G14_003	TO->FROM	FPL SWITCH - WOODWARD 138KV CKT 1	153	0.04035	121.2634	ELLIS 4 138.00 - RED HILLS WIND 138KV CKT 1
FDNS	1		0	15G	G14_003	TO->FROM	FPL SWITCH - WOODWARD 138KV CKT 1	153	0.04384	121.2022	Hitchland Interchange - POTTER COUNTY INTERCHANGE 345KV CKT 1
FDNS	1		0	15G	G14_003	TO->FROM	FPL SWITCH - WOODWARD 138KV CKT 1	153	0.04238	121.1672	GEN514806 1-SOONER UNIT 2
FDNS	06ALL		0	15G	G14_003	TO->FROM	FPL SWITCH - WOODWARD 138KV CKT 1	153	0.04121	121.1556	ELK CITY 230KV (ELKCTY-6) 230/138/13.8KV TRANSFORMER CKT 1
FDNS	06ALL		0	15G	G14_003	TO->FROM	FPL SWITCH - WOODWARD 138KV CKT 1	153	0.04121	121.1538	ELK CITY 230KV - SWEETWATER 230KV CKT 1
FDNS	01ALL		0	15G	G14_003	TO->FROM	FPL SWITCH - WOODWARD 138KV CKT 1	153	0.04184	120.7705	VIOLA 7 345.00 - WICHITA 345KV CKT 1
FDNS	6		0	15G	G14_003	TO->FROM	FPL SWITCH - WOODWARD 138KV CKT 1	153	0.07169	120.719	DBL-THIS-WWR
FDNS	01ALL		0	15G	G14_003	TO->FROM	FPL SWITCH - WOODWARD 138KV CKT 1	153	0.04145	120.5778	EL RENO - ROMAN NOSE 138KV CKT 1
FDNS	01ALL		0	15G	G14_003	TO->FROM	FPL SWITCH - WOODWARD 138KV CKT 1	153	0.04267	120.5146	GEN515397 1-OUSPRT 1 0.6900
FDNS	1		0	15G	G14_003	TO->FROM	FPL SWITCH - WOODWARD 138KV CKT 1	153	0.0419	120.5044	WOODRING (WOODRNG2) 345/138/13.8KV TRANSFORMER CKT 1
FDNS	06ALL		0	15G	G14_003	TO->FROM	FPL SWITCH - WOODWARD 138KV CKT 1	153	0.04846	120.2912	DEWEY - IODINE 138KV CKT 1
FDNS	01ALL		0	15G	G14_003	TO->FROM	FPL SWITCH - WOODWARD 138KV CKT 1	153	0.04145	120.2215	ROMAN NOSE - SOUTHARD 138KV CKT 1
FDNS	01ALL		0	15G	G14_003	TO->FROM	FPL SWITCH - WOODWARD 138KV CKT 1	153	0.04267	120.1968	GEN560175 1-G0744_G1403 0.6900
FDNS	1		0	15G	G14_003	TO->FROM	FPL SWITCH - WOODWARD 138KV CKT 1	153	0.04477	120.164	FINNEY SWITCHING STATION - HOLCOMB 345KV CKT 1
FDNS	1		0	15G	G14_003	TO->FROM	FPL SWITCH - WOODWARD 138KV CKT 1	153	0.04322	120.1378	G11-17T 345.00 - POST ROCK 345KV CKT 1
FDNS	01G14_003		0	15G	G14_003	TO->FROM	FPL SWITCH - WOODWARD 138KV CKT 1	153	0.04243	120.1148	NC1_GEN-NEBRASKA CITY 1
FDNS	01ALL		0	15G	G14_003	TO->FROM	FPL SWITCH - WOODWARD 138KV CKT 1	153	0.04267	119.8496	GEN525561 1-TOLK GEN #1 24 KV
FDNS	01ALL		0	15G	G14_003	TO->FROM	FPL SWITCH - WOODWARD 138KV CKT 1	153	0.03808	119.6839	WOODWARD - WOODWARD EHV 138KV CKT 1
FDNS	1		0	15G	G14_003	TO->FROM	FPL SWITCH - WOODWARD 138KV CKT 1	153	0.04403	119.6137	CARTER JCT - WOODWARD 69KV CKT 1
FDNS	1		0	15G	G14_003	TO->FROM	FPL SWITCH - WOODWARD 138KV CKT 1	153	0.04228	119.5927	GRAPEVINE INTERCHANGE - STATELINE INTERCHANGE 230KV CKT 1
FDNS	1		0	15G	G14_003	TO->FROM	FPL SWITCH - WOODWARD 138KV CKT 1	153	0.04238	119.5882	GEN336821 1-GRAND GULF UNIT
FDNS	01ALL		0	15G	G14_003	TO->FROM	FPL SWITCH - WOODWARD 138KV CKT 1	153	0.04145	119.5819	DEWEY - SOUTHARD 138KV CKT 1
FDNS	1		0	15G	G14_003	TO->FROM	FPL SWITCH - WOODWARD 138KV CKT 1	153	0.04238	119.5549	GEN520947 1-HUGO1
FDNS	1		0	15G	G14_003	TO->FROM	FPL SWITCH - WOODWARD 138KV CKT 1	153	0.04228	119.5012	SPP-SWPS-02A
FDNS	1		0	15G	G14_003	TO->FROM	FPL SWITCH - WOODWARD 138KV CKT 1	153	0.04238	119.4564	GEN509416 1-TURK GENERATION
FDNS	01ALL		0	15G	G14_003	TO->FROM	FPL SWITCH - WOODWARD 138KV CKT 1	153	0.04035	119.4498	ELLIS 4 138.00 - MOREWOOD SW 138KV CKT 1
FDNS	1		0	15G	G14_003	TO->FROM	FPL SWITCH - WOODWARD 138KV CKT 1	153	0.04238	119.4436	GEN337911 1-ARKANSAS NUCLEAR ONE UNIT #2
FDNS	1		0	15G	G14_003	TO->FROM	FPL SWITCH - WOODWARD 138KV CKT 1	153	0.04238	119.4383	GEN509403 1-PIRKEY GENERATION
FDNS	1		0	15G	G14_003	TO->FROM	FPL SWITCH - WOODWARD 138KV CKT 1	153	0.04238	119.4363	GEN515226 1-MUSKOGEE 6G
FDNS	1		0	15G	G14_003	TO->FROM	FPL SWITCH - WOODWARD 138KV CKT 1	153	0.04384	119.3907	SPOSCONT-02
FDNS	1		0	15G	G14_003	TO->FROM	FPL SWITCH - WOODWARD 138KV CKT 1	153	0.04322	119.3456	G11-17T 345.00 - SPEARVILLE 345KV CKT 1
FDNS	1		0	15G	G14_003	TO->FROM	FPL SWITCH - WOODWARD 138KV CKT 1	153	0.04508	119.2435	CIMARRON - NORTHWEST 345KV CKT 1
FDNS	1		0	15G	G14_003	TO->FROM	FPL SWITCH - WOODWARD 138KV CKT 1	153	0.04263	119.219	MOORELAND - TALOGA 138KV CKT 1
FDNS	1		0	15G	G14_003	TO->FROM	FPL SWITCH - WOODWARD 138KV CKT 1	153	0.04238	119.1494	GEN515225 1-MUSKOGEE 5G
FDNS	1		0	15G	G14_003	TO->FROM	FPL SWITCH - WOODWARD 138KV CKT 1	153	0.04238	119.1491	GEN515223 1-MUSKOGEE 4G
FDNS	1		0	15G	G14_003	TO->FROM	FPL SWITCH - WOODWARD 138KV CKT 1	153	0.04238	119.131	GEN560773 1-BUFBER-WTG1 0.6000
FDNS	1		0	15G	G14_003	TO->FROM	FPL SWITCH - WOODWARD 138KV CKT 1	153	0.04238	119.1179	GEN336153 1-WATERFORD UNIT#3
FDNS	1		0	15G	G14_003	TO->FROM	FPL SWITCH - WOODWARD 138KV CKT 1	153	0.04477	119.1163	FINNEY SWITCHING STATION - Hitchland Interchange 345KV CKT 1
FDNS	1		0	15G	G14_003	TO->FROM	FPL SWITCH - WOODWARD 138KV CKT 1	153	0.04284	119.0749	SPP-MKEC-08
FDNS	01ALL		0	15G	G14_003	TO->FROM	FPL SWITCH - WOODWARD 138KV CKT 1	153	0.04267	119.0653	GEN560222 1-G07-62-2 0.6900
FDNS	01ALL		0	15G	G14_003	TO->FROM	FPL SWITCH - WOODWARD 138KV CKT 1	153	0.04267	119.0653	GEN560223 1-G07-62-3 0.6900
FDNS	01ALL		0	15G	G14_003	TO->FROM	FPL SWITCH - WOODWARD 138KV CKT 1	153	0.04267	119.0653	GEN560224 1-G07-62-4 0.6900
FDNS	01ALL		0	15G	G14_003	TO->FROM	FPL SWITCH - WOODWARD 138KV CKT 1	153	0.04267	119.0652	GEN560221 1-G07-62-1 0.6900
FDNS	1		0	15G	G14_003	TO->FROM	FPL SWITCH - WOODWARD 138KV CKT 1	153	0.04403	119.032	CARTER JCT - MOORELAND 69KV CKT 1
FDNS	1		0	15G	G14_003	TO->FROM	FPL SWITCH - WOODWARD 138KV CKT 1	153	0.04403	119.0318	MOORELAND (MOORELND) 138/69/13.8KV TRANSFORMER CKT 1
FDNS	1		0	15G	G14_003	TO->FROM	FPL SWITCH - WOODWARD 138KV CKT 1	153	0.04477	118.9886	SPP-SWPS-05
FDNS	1		0	15G	G14_003	TO->FROM	FPL SWITCH - WOODWARD 138KV CKT 1	153	0.04238	118.9759	GEN337910 1-ARKANSAS NUCLEAR ONE UNIT #1
FDNS	1		0	15G	G14_003	TO->FROM	FPL SWITCH - WOODWARD 138KV CKT 1	153	0.04238	118.9129	GEN509406 1-WELSH #3
FDNS	1		0	15G	G14_003	TO->FROM	FPL SWITCH - WOODWARD 138KV CKT 1	153	0.04238	118.9127	GEN509404 1-WELSH #1
FDNS	1		0	15G	G14_003	TO->FROM	FPL SWITCH - WOODWARD 138KV CKT 1	153	0.04238	118.9028	GEN501801 1-DOLET HILLS UNIT1
FDNS	1		0	15G	G14_003	TO->FROM	FPL SWITCH - WOODWARD 138KV CKT 1	153	0.04238	118.7916	GEN335831 1-RIVERBEND UNIT#1
FDNS	1		0	15G	G14_003	TO->FROM	FPL SWITCH - WOODWARD 138KV CKT 1	153	0.04238	118.6793	GEN511839 1-NORTHEASTERN STATION #2
FDNS	1		0	15G	G14_003	TO->FROM	FPL SWITCH - WOODWARD 138KV CKT 1	153	0.04238	118.6724	GEN511840 1-NORTHEASTERN STATION #3
FDNS	1		0	15G	G14_003	TO->FROM	FPL SWITCH - WOODWARD 138KV CKT 1	153	0.04271	118.6483	FLATRDG3 - HARPER 138KV CKT 1
FDNS	1		0	15G	G14_003	TO->FROM	FPL SWITCH - WOODWARD 138KV CKT 1	153	0.04238	118.6389	GEN509394 1-FLINT CREEK
FDNS	1		0	15G	G14_003	TO->FROM	FPL SWITCH - WOODWARD 138KV CKT 1	153	0.04238	118.6279	GEN511841 1-NORTHEASTERN STATION #4
FDNS	1		0	15G	G14_003	TO->FROM	FPL SWITCH - WOODWARD 138KV CKT 1	153	0.04238	118.6003	GEN560687 1-G11-007 0.5750
FDNS	1		0	15G	G14_003	TO->FROM	FPL SWITCH - WOODWARD 138KV CKT 1	153	0.0432	118.5888	MINGO - SETAB 345KV CKT 1
FDNS	06ALL		0	15G	G14_003	TO->FROM	FPL SWITCH - WOODWARD 138KV CKT 1	153	0.04121	118.2708	SPP-SWPS-02A
FDNS	01G14_003		0	15G	G14_003	TO->FROM	FPL SWITCH - WOODWARD 138KV CKT 1	153	0.04243	118.1322	GEN560121 1-G08-47 0.5750

SOLUTION	GROUP	SCENARIO	SEASON	SOURCE	DIRECTION	MONITORED ELEMENT	RATEB (MVA)	TDF	TC%LOADING (% MVA)	CONTINGENCY
FDNS	01G14_003	0	15G	G14_003	TO->FROM	FPL SWITCH - WOODWARD 138KV CKT 1	153	0.04225	118.112	BUFFALO - WEST 69KV CKT 1
FDNS	01G14_003	0	15G	G14_003	TO->FROM	FPL SWITCH - WOODWARD 138KV CKT 1	153	0.04333	118.1099	SPP-SWPS-01
FDNS	01G14_003	0	15G	G14_003	TO->FROM	FPL SWITCH - WOODWARD 138KV CKT 1	153	0.04243	118.0992	GEN562432 1-G13-030 0.6900
FDNS	01G14_003	0	15G	G14_003	TO->FROM	FPL SWITCH - WOODWARD 138KV CKT 1	153	0.04243	118.0602	GEN645012 2-NEBRASKA CITY 2
FDNS	01G14_003	0	15G	G14_003	TO->FROM	FPL SWITCH - WOODWARD 138KV CKT 1	153	0.04234	118.0285	CRESWELL - MIDLTNT4 138.00 138KV CKT 1
FDNS	01G14_003	0	15G	G14_003	TO->FROM	FPL SWITCH - WOODWARD 138KV CKT 1	153	0.04225	117.9678	FREEDOM - WEST 69KV CKT 1
FDNS	06ALL	0	15G	G14_003	TO->FROM	FPL SWITCH - WOODWARD 138KV CKT 1	153	0.04121	117.9659	GRAPEVINE INTERCHANGE - STATELINE INTERCHANGE 230KV CKT 1
FDNS	01G14_003	0	15G	G14_003	TO->FROM	FPL SWITCH - WOODWARD 138KV CKT 1	153	0.04243	117.9536	GEN527902 1-HOBBS PLANT #2 (CT)
FDNS	01G14_003	0	15G	G14_003	TO->FROM	FPL SWITCH - WOODWARD 138KV CKT 1	153	0.04243	117.9535	GEN527901 1-HOBBS PLANT #1 (CT)
FDNS	01G14_003	0	15G	G14_003	TO->FROM	FPL SWITCH - WOODWARD 138KV CKT 1	153	0.04243	117.9286	GEN539670 4-JUDSON LARGE GENERATOR
FDNS	01G14_003	0	15G	G14_003	TO->FROM	FPL SWITCH - WOODWARD 138KV CKT 1	153	0.04243	117.8779	GEN527163 1-MUSTANG GEN #3 22 KV
FDNS	01G14_003	0	15G	G14_003	TO->FROM	FPL SWITCH - WOODWARD 138KV CKT 1	153	0.04193	117.8035	CLINTON AIR FORCE BASE TAP - HOBART JUNCTION 138KV CKT 1
FDNS	01G14_003	0	15G	G14_003	TO->FROM	FPL SWITCH - WOODWARD 138KV CKT 1	153	0.04241	117.8032	DELAWARE - NORTHEAST STATION 345KV CKT 1
FDNS	09ALL	0	15G	G14_003	TO->FROM	FPL SWITCH - WOODWARD 138KV CKT 1	153	0.11192	117.7	NORTHWEST - TATONGA7 345.00 345KV CKT 1
FDNS	01G14_003	0	15G	G14_003	TO->FROM	FPL SWITCH - WOODWARD 138KV CKT 1	153	0.04324	117.6906	OKLAUNION - TUCO INTERCHANGE 345KV CKT 1
FDNS	01ALL	0	15G	G14_003	TO->FROM	FPL SWITCH - WOODWARD 138KV CKT 1	153	0.03981	117.6865	DOVER SW - OKEENE 138KV CKT 1
FDNS	01G14_003	0	15G	G14_003	TO->FROM	FPL SWITCH - WOODWARD 138KV CKT 1	153	0.04243	117.6676	GEN515449 1-CRSRDW11 0.6900
FDNS	01G14_003	0	15G	G14_003	TO->FROM	FPL SWITCH - WOODWARD 138KV CKT 1	153	0.04243	117.6643	GEN526331 1-JONES GEN #1 22 KV
FDNS	06ALL	0	15G	G14_003	TO->FROM	FPL SWITCH - WOODWARD 138KV CKT 1	153	0.04159	117.6269	BASE CASE
FDNS	06ALL	0	15G	G14_003	TO->FROM	FPL SWITCH - WOODWARD 138KV CKT 1	153	0.04159	117.6269	BASE CASE
FDNS	01G14_003	0	15G	G14_003	TO->FROM	FPL SWITCH - WOODWARD 138KV CKT 1	153	0.04225	117.6043	BUFBEAR2 - BUFFALO 69KV CKT 1
FDNS	01G14_003	0	15G	G14_003	TO->FROM	FPL SWITCH - WOODWARD 138KV CKT 1	153	0.04193	117.6029	CLINTON AIR FORCE BASE TAP - ELK CITY 138KV CKT 1
FDNS	01G14_003	0	15G	G14_003	TO->FROM	FPL SWITCH - WOODWARD 138KV CKT 1	153	0.04243	117.5706	GEN640011 2-GERALD GENTLEMAN STATION UNIT 2
FDNS	06ALL	0	15G	G14_003	TO->FROM	FPL SWITCH - WOODWARD 138KV CKT 1	153	0.04211	117.5677	SPSCONT-01
FDNS	01G14_003	0	15G	G14_003	TO->FROM	FPL SWITCH - WOODWARD 138KV CKT 1	153	0.04243	117.5631	GEN526332 1-JONES GEN #2 21 KV
FDNS	01G14_003	0	15G	G14_003	TO->FROM	FPL SWITCH - WOODWARD 138KV CKT 1	153	0.04243	117.5619	GEN515450 1-CRSRDW21 0.6900
FDNS	01G14_003	0	15G	G14_003	TO->FROM	FPL SWITCH - WOODWARD 138KV CKT 1	153	0.04218	117.5126	KNOBHILL (KNOBHIL4) 138/69/13.2KV TRANSFORMER CKT 1
FDNS	01G14_003	0	15G	G14_003	TO->FROM	FPL SWITCH - WOODWARD 138KV CKT 1	153	0.04218	117.4758	KNOBHILL - NOEL_SW 138.00 138KV CKT 1
FDNS	01G14_003	0	15G	G14_003	TO->FROM	FPL SWITCH - WOODWARD 138KV CKT 1	153	0.04243	117.4476	GEN635214 4-NEAL UNIT 4
FDNS	01G14_003	0	15G	G14_003	TO->FROM	FPL SWITCH - WOODWARD 138KV CKT 1	153	0.04243	117.4118	GEN640010 1-GERALD GENTLEMAN STATION UNIT 1
FDNS	01G14_003	0	15G	G14_003	TO->FROM	FPL SWITCH - WOODWARD 138KV CKT 1	153	0.04204	117.3818	OPENSKY7 345.00 - RANCHR07 345.00 345KV CKT 1
FDNS	01G14_003	0	15G	G14_003	TO->FROM	FPL SWITCH - WOODWARD 138KV CKT 1	153	0.04204	117.3799	RANCHR07 345.00 - SOONER 345KV CKT 1
FDNS	01G14_003	0	15G	G14_003	TO->FROM	FPL SWITCH - WOODWARD 138KV CKT 1	153	0.04243	117.326	GEN527166 1-MUSTANG 6 118.000
FDNS	01G14_003	0	15G	G14_003	TO->FROM	FPL SWITCH - WOODWARD 138KV CKT 1	153	0.04209	117.3019	CLINTON JUNCTION - ELK CITY 138KV CKT 1
FDNS	01G14_003	0	15G	G14_003	TO->FROM	FPL SWITCH - WOODWARD 138KV CKT 1	153	0.04243	117.2331	GEN635023 3-WALTER SCOTT UNIT 3
FDNS	01G14_003	0	15G	G14_003	TO->FROM	FPL SWITCH - WOODWARD 138KV CKT 1	153	0.03939	117.1459	SANDY_CN_138138.00 - WAKITA_138 138.00 138KV CKT 1
FDNS	01G14_003	0	15G	G14_003	TO->FROM	FPL SWITCH - WOODWARD 138KV CKT 1	153	0.04243	117.1003	GEN562078 1-G11_051_3 0.6900
FDNS	01G14_003	0	15G	G14_003	TO->FROM	FPL SWITCH - WOODWARD 138KV CKT 1	153	0.04243	117.0873	GEN562472 1-G13_035_3 0.6900
FDNS	01G14_003	0	15G	G14_003	TO->FROM	FPL SWITCH - WOODWARD 138KV CKT 1	153	0.04243	116.9921	GEN635213 3-NEAL UNIT 3
FDNS	01ALL	0	15G	G14_003	TO->FROM	FPL SWITCH - WOODWARD 138KV CKT 1	153	0.03963	116.8422	BYRON_138 138.00 - C_CITY_138 138.00 138KV CKT 1
FDNS	1	0	15G	G14_003	TO->FROM	FPL SWITCH - WOODWARD 138KV CKT 1	153	0.04238	116.542	NC1_GEN-NEBRASKA CITY 1
FDNS	01G14_003	0	15G	G14_003	TO->FROM	FPL SWITCH - WOODWARD 138KV CKT 1	153	0.04204	116.4945	OPENSKY7 345.00 - ROSE HILL 345KV CKT 1
FDNS	01G14_003	0	15G	G14_003	TO->FROM	FPL SWITCH - WOODWARD 138KV CKT 1	153	0.04243	116.491	GEN527903 1-HOBBS PLANT #3 (ST)
FDNS	01ALL	0	15G	G14_003	TO->FROM	FPL SWITCH - WOODWARD 138KV CKT 1	153	0.03963	116.2393	C_CITY_138 138.00 - NOEL_SW 138.00 138KV CKT 1
FDNS	01G14_003	0	15G	G14_003	TO->FROM	FPL SWITCH - WOODWARD 138KV CKT 1	153	0.04243	116.1152	GEN635024 4-WALTER SCOTT UNIT 4
FDNS	06ALL	0	15G	G14_003	TO->FROM	FPL SWITCH - WOODWARD 138KV CKT 1	153	0.04666	115.9994	WOODWARD - WOODWARD 69KV CKT 1
FDNS	01G14_003	0	15G	G14_003	TO->FROM	FPL SWITCH - WOODWARD 138KV CKT 1	153	0.04243	115.6302	GEN659118 1-LARAMIE RIVER UNIT1
FDNS	01ALL	0	15G	G14_003	TO->FROM	FPL SWITCH - WOODWARD 138KV CKT 1	153	0.04267	115.4956	GEN515365 1-CENT 21 0.7000
FDNS	6	0	15G	G14_003	TO->FROM	FPL SWITCH - WOODWARD 138KV CKT 1	153	0.04856	115.4621	IODINE - WOODWARD EHV 138KV CKT 1
FDNS	01G14_003	0	15G	G14_003	TO->FROM	FPL SWITCH - WOODWARD 138KV CKT 1	153	0.04012	115.3502	ELLIS 4 138.00 - RED HILLS WIND 138KV CKT 1
FDNS	06ALL	0	15G	G14_003	TO->FROM	FPL SWITCH - WOODWARD 138KV CKT 1	153	0.04211	115.3056	OKLAUNION - TUCO INTERCHANGE 345KV CKT 1
FDNS	06ALL	0	15G	G14_003	TO->FROM	FPL SWITCH - WOODWARD 138KV CKT 1	153	0.04221	115.0508	SPP-SWPS-01
FDNS	01G14_003	0	15G	G14_003	TO->FROM	FPL SWITCH - WOODWARD 138KV CKT 1	153	0.04243	114.9176	GEN523971 1-HARRINGTON GEN #1 24 KV
FDNS	01G14_003	0	15G	G14_003	TO->FROM	FPL SWITCH - WOODWARD 138KV CKT 1	153	0.04243	114.9176	GEN523973 1-HARRINGTON GEN #3 24 KV
FDNS	01G14_003	0	15G	G14_003	TO->FROM	FPL SWITCH - WOODWARD 138KV CKT 1	153	0.04243	114.9172	GEN523972 1-HARRINGTON GEN #2 24 KV
FDNS	9	0	15G	G14_003	TO->FROM	FPL SWITCH - WOODWARD 138KV CKT 1	153	0.11188	114.9127	NORTHWEST - TATONGA7 345.00 345KV CKT 1
FDNS	01ALL	0	15G	G14_003	TO->FROM	FPL SWITCH - WOODWARD 138KV CKT 1	153	0.04267	114.8087	GEN515393 1-OGEWND2G
FDNS	1	0	15G	G14_003	TO->FROM	FPL SWITCH - WOODWARD 138KV CKT 1	153	0.04326	114.6046	SPP-SWPS-01
FDNS	01G14_003	0	15G	G14_003	TO->FROM	FPL SWITCH - WOODWARD 138KV CKT 1	153	0.04243	114.6006	GEN531447 1-HOLCOMB GENERATOR
FDNS	09ALL	0	15G	G14_003	TO->FROM	FPL SWITCH - WOODWARD 138KV CKT 1	153	0.11192	114.5399	SPSCONT-05B
FDNS	1	0	15G	G14_003	TO->FROM	FPL SWITCH - WOODWARD 138KV CKT 1	153	0.04229	114.4835	CRESWELL - MIDLTNT4 138.00 138KV CKT 1
FDNS	1	0	15G	G14_003	TO->FROM	FPL SWITCH - WOODWARD 138KV CKT 1	153	0.04238	114.4715	GEN645012 2-NEBRASKA CITY 2
FDNS	1	0	15G	G14_003	TO->FROM	FPL SWITCH - WOODWARD 138KV CKT 1	153	0.0422	114.4099	FREEDOM - WEST 69KV CKT 1
FDNS	1	0	15G	G14_003	TO->FROM	FPL SWITCH - WOODWARD 138KV CKT 1	153	0.04238	114.3499	GEN539670 4-JUDSON LARGE GENERATOR
FDNS	1	0	15G	G14_003	TO->FROM	FPL SWITCH - WOODWARD 138KV CKT 1	153	0.04319	114.3227	CIMARRON - MATHWSN7 345.00 345KV CKT 1
FDNS	01G14_003	0	15G	G14_003	TO->FROM	FPL SWITCH - WOODWARD 138KV CKT 1	153	0.04243	114.2773	GEN515397 1-OUSPR1 0.6900

SOLUTION	GROUP	SCENARIO	SEASON	SOURCE	DIRECTION	MONITORED ELEMENT	RATEB (MVA)	TDF	TC%LOADING (% MVA)	CONTINGENCY	
FDNS	1		0	15G	G14_003	TO->FROM	FPL SWITCH - WOODWARD 138KV CKT 1	153	0.04188	114.2655	CLINTON AIR FORCE BASE TAP - HOBART JUNCTION 138KV CKT 1
FDNS	1		0	15G	G14_003	TO->FROM	FPL SWITCH - WOODWARD 138KV CKT 1	153	0.04235	114.2495	DELAWARE - NORTHEAST STATION 345KV CKT 1
FDNS	1		0	15G	G14_003	TO->FROM	FPL SWITCH - WOODWARD 138KV CKT 1	153	0.04317	114.2011	OKLAUNION - TUCO INTERCHANGE 345KV CKT 1
FDNS	01G14_003		0	15G	G14_003	TO->FROM	FPL SWITCH - WOODWARD 138KV CKT 1	153	0.04122	114.1215	EL RENO - ROMAN NOSE 138KV CKT 1
FDNS	1		0	15G	G14_003	TO->FROM	FPL SWITCH - WOODWARD 138KV CKT 1	153	0.04188	114.0649	CLINTON AIR FORCE BASE TAP - ELK CITY 138KV CKT 1
FDNS	1		0	15G	G14_003	TO->FROM	FPL SWITCH - WOODWARD 138KV CKT 1	153	0.04222	114.0541	BUFBEAR2 - BUFFALO 69KV CKT 1
FDNS	1		0	15G	G14_003	TO->FROM	FPL SWITCH - WOODWARD 138KV CKT 1	153	0.04238	114.0016	GEN640011 2-GERALD GENTLEMAN STATION UNIT 2
FDNS	09ALL		0	15G	G14_003	TO->FROM	FPL SWITCH - WOODWARD 138KV CKT 1	153	0.11192	113.9834	SPSCONT-04
FDNS	1		0	15G	G14_003	TO->FROM	FPL SWITCH - WOODWARD 138KV CKT 1	153	0.04213	113.9603	KNOBHILL (KNOBHIL4) 138/69/13.2KV TRANSFORMER CKT 1
FDNS	1		0	15G	G14_003	TO->FROM	FPL SWITCH - WOODWARD 138KV CKT 1	153	0.04213	113.9232	KNOBHILL - NOEL_SW 138.00 138KV CKT 1
FDNS	1		0	15G	G14_003	TO->FROM	FPL SWITCH - WOODWARD 138KV CKT 1	153	0.04198	113.9053	OPENSKY7 345.00 - RANCHRD7 345.00 345KV CKT 1
FDNS	1		0	15G	G14_003	TO->FROM	FPL SWITCH - WOODWARD 138KV CKT 1	153	0.04198	113.9044	RANCHRD7 345.00 - SOONER 345KV CKT 1
FDNS	1		0	15G	G14_003	TO->FROM	FPL SWITCH - WOODWARD 138KV CKT 1	153	0.04238	113.8829	GEN635214 4-NEAL UNIT 4
FDNS	01ALL		0	15G	G14_003	TO->FROM	FPL SWITCH - WOODWARD 138KV CKT 1	153	0.04267	113.8614	GEN562023 1-G11_020_3 0.6900
FDNS	01ALL		0	15G	G14_003	TO->FROM	FPL SWITCH - WOODWARD 138KV CKT 1	153	0.04267	113.8614	GEN562026 1-G11_019_3 0.6900
FDNS	1		0	15G	G14_003	TO->FROM	FPL SWITCH - WOODWARD 138KV CKT 1	153	0.03934	113.8437	SANDY_CN 138138.00 - WAKITA_138 138.00 138KV CKT 1
FDNS	01G14_003		0	15G	G14_003	TO->FROM	FPL SWITCH - WOODWARD 138KV CKT 1	153	0.04122	113.8069	ROMAN NOSE - SOUTHARD 138KV CKT 1
FDNS	1		0	15G	G14_003	TO->FROM	FPL SWITCH - WOODWARD 138KV CKT 1	153	0.04205	113.7484	CLINTON JUNCTION - ELK CITY 138KV CKT 1
FDNS	01ALL		0	15G	G14_003	TO->FROM	FPL SWITCH - WOODWARD 138KV CKT 1	153	0.03824	113.7071	IMO TAP - MEN TAP 138KV CKT 1
FDNS	1		0	15G	G14_003	TO->FROM	FPL SWITCH - WOODWARD 138KV CKT 1	153	0.04238	113.6694	GEN635023 3-WALTER SCOTT UNIT 3
FDNS	6		0	15G	G14_003	TO->FROM	FPL SWITCH - WOODWARD 138KV CKT 1	153	0.04856	113.5641	DEWEY - IODINE 138KV CKT 1
FDNS	06ALL		0	15G	G14_003	TO->FROM	FPL SWITCH - WOODWARD 138KV CKT 1	153	0.04144	113.4921	GRAPEVINE INTERCHANGE - NICHOLS STATION 230KV CKT 1
FDNS	01G14_003		0	15G	G14_003	TO->FROM	FPL SWITCH - WOODWARD 138KV CKT 1	153	0.04012	113.4853	ELLIS 4 138.00 - MOREWOOD SW 138KV CKT 1
FDNS	09ALL		0	15G	G14_003	TO->FROM	FPL SWITCH - WOODWARD 138KV CKT 1	153	0.04695	113.4442	WOODWARD (WOODWRD2) 138/69/13.2KV TRANSFORMER CKT 1
FDNS	1		0	15G	G14_003	TO->FROM	FPL SWITCH - WOODWARD 138KV CKT 1	153	0.04238	113.4282	GEN635213 3-NEAL UNIT 3
FDNS	1		0	15G	G14_003	TO->FROM	FPL SWITCH - WOODWARD 138KV CKT 1	153	0.04238	113.315	GEN527166 1-MUSTANG_6 118.000
FDNS	01G14_003		0	15G	G14_003	TO->FROM	FPL SWITCH - WOODWARD 138KV CKT 1	153	0.04151	113.3002	VIOLA 7 345.00 - WICHITA 345KV CKT 1
FDNS	01G14_003		0	15G	G14_003	TO->FROM	FPL SWITCH - WOODWARD 138KV CKT 1	153	0.04122	113.1352	DEWEY - SOUTHARD 138KV CKT 1
FDNS	1		0	15G	G14_003	TO->FROM	FPL SWITCH - WOODWARD 138KV CKT 1	153	0.04238	113.0934	GEN562078 1-G11_051_3 0.6900
FDNS	1		0	15G	G14_003	TO->FROM	FPL SWITCH - WOODWARD 138KV CKT 1	153	0.04238	113.0807	GEN562472 1-G13_035_3 0.6900
FDNS	01ALL		0	15G	G14_003	TO->FROM	FPL SWITCH - WOODWARD 138KV CKT 1	153	0.03824	113.0576	CLEOPLT4 138.00 - MEN TAP 138KV CKT 1
FDNS	1		0	15G	G14_003	TO->FROM	FPL SWITCH - WOODWARD 138KV CKT 1	153	0.04198	113.0045	OPENSKY7 345.00 - ROSE HILL 345KV CKT 1
FDNS	06ALL		0	15G	G14_003	TO->FROM	FPL SWITCH - WOODWARD 138KV CKT 1	153	0.04121	112.8339	STLN-DEMARC6 - SWEETWATER 230KV CKT 1
FDNS	06ALL		0	15G	G14_003	TO->FROM	FPL SWITCH - WOODWARD 138KV CKT 1	153	0.04121	112.8153	STATELINE INTERCHANGE - STLN-DEMARC6 230KV CKT 1
FDNS	06ALL		0	15G	G14_003	TO->FROM	FPL SWITCH - WOODWARD 138KV CKT 1	153	0.04121	112.812	SPP-SWPS-02
FDNS	1		0	15G	G14_003	TO->FROM	FPL SWITCH - WOODWARD 138KV CKT 1	153	0.04238	112.554	GEN635024 4-WALTER SCOTT UNIT 4
FDNS	01G14_003		0	15G	G14_003	TO->FROM	FPL SWITCH - WOODWARD 138KV CKT 1	153	0.04243	112.5184	GEN560221 1-G07-62-1 0.6900
FDNS	01G14_003		0	15G	G14_003	TO->FROM	FPL SWITCH - WOODWARD 138KV CKT 1	153	0.04243	112.5184	GEN560222 1-G07-62-2 0.6900
FDNS	01G14_003		0	15G	G14_003	TO->FROM	FPL SWITCH - WOODWARD 138KV CKT 1	153	0.04243	112.5184	GEN560223 1-G07-62-3 0.6900
FDNS	01G14_003		0	15G	G14_003	TO->FROM	FPL SWITCH - WOODWARD 138KV CKT 1	153	0.04243	112.5184	GEN560224 1-G07-62-4 0.6900
FDNS	01ALL		0	15G	G14_003	TO->FROM	FPL SWITCH - WOODWARD 138KV CKT 1	153	0.03824	112.5064	CLEO CORNER - CLEOPLT4 138.00 138KV CKT 1
FDNS	1		0	15G	G14_003	TO->FROM	FPL SWITCH - WOODWARD 138KV CKT 1	153	0.04238	112.4838	GEN527903 1-HOBBS PLANT #3 (ST)
FDNS	1		0	15G	G14_003	TO->FROM	FPL SWITCH - WOODWARD 138KV CKT 1	153	0.04007	112.0219	ELLIS 4 138.00 - RED HILLS WIND 138KV CKT 1
FDNS	01G14_003		0	15G	G14_003	TO->FROM	FPL SWITCH - WOODWARD 138KV CKT 1	153	0.03939	111.952	BYRON_138 138.00 - SANDY_CN 138138.00 138KV CKT 1
FDNS	1		0	15G	G14_003	TO->FROM	FPL SWITCH - WOODWARD 138KV CKT 1	153	0.04238	111.9267	GEN560648 1-G0721_G1402 0.6900
FDNS	01G14_003		0	15G	G14_003	TO->FROM	FPL SWITCH - WOODWARD 138KV CKT 1	153	0.03959	111.8398	DOVER SW - OKEENE 138KV CKT 1
FDNS	01G14_003		0	15G	G14_003	TO->FROM	FPL SWITCH - WOODWARD 138KV CKT 1	153	0.04243	111.7903	GEN560175 1-G0744_G1403 0.6900
FDNS	9		0	15G	G14_003	TO->FROM	FPL SWITCH - WOODWARD 138KV CKT 1	153	0.11188	111.7518	SPSCONT-05B
FDNS	1		0	15G	G14_003	TO->FROM	FPL SWITCH - WOODWARD 138KV CKT 1	153	0.04238	111.6116	GEN659118 1-LARAMIE RIVER UNIT1
FDNS	9		0	15G	G14_003	TO->FROM	FPL SWITCH - WOODWARD 138KV CKT 1	153	0.04693	111.3642	WOODWARD (WOODWRD2) 138/69/13.2KV TRANSFORMER CKT 1
FDNS	6		0	15G	G14_003	TO->FROM	FPL SWITCH - WOODWARD 138KV CKT 1	153	0.04166	111.3446	BASE CASE
FDNS	6		0	15G	G14_003	TO->FROM	FPL SWITCH - WOODWARD 138KV CKT 1	153	0.04166	111.3446	BASE CASE
FDNS	01G14_003		0	15G	G14_003	TO->FROM	FPL SWITCH - WOODWARD 138KV CKT 1	153	0.04243	111.238	GEN525561 1-TOLK GEN #1 24 KV
FDNS	9		0	15G	G14_003	TO->FROM	FPL SWITCH - WOODWARD 138KV CKT 1	153	0.11188	111.2006	SPSCONT-04
FDNS	01G14_003		0	15G	G14_003	TO->FROM	FPL SWITCH - WOODWARD 138KV CKT 1	153	0.03939	111.0112	BYRON_138 138.00 - C_CITY_138 138.00 138KV CKT 1
FDNS	1		0	15G	G14_003	TO->FROM	FPL SWITCH - WOODWARD 138KV CKT 1	153	0.04238	110.9158	GEN523971 1-HARRINGTON GEN #1 24 KV
FDNS	1		0	15G	G14_003	TO->FROM	FPL SWITCH - WOODWARD 138KV CKT 1	153	0.04238	110.9157	GEN523973 1-HARRINGTON GEN #3 24 KV
FDNS	1		0	15G	G14_003	TO->FROM	FPL SWITCH - WOODWARD 138KV CKT 1	153	0.04238	110.9154	GEN523972 1-HARRINGTON GEN #2 24 KV
FDNS	01G14_003		0	15G	G14_003	TO->FROM	FPL SWITCH - WOODWARD 138KV CKT 1	153	0.03786	110.6684	WOODWARD - WOODWARD EHV 138KV CKT 1
FDNS	1		0	15G	G14_003	TO->FROM	FPL SWITCH - WOODWARD 138KV CKT 1	153	0.04117	110.6551	EL RENO - ROMAN NOSE 138KV CKT 1
FDNS	1		0	15G	G14_003	TO->FROM	FPL SWITCH - WOODWARD 138KV CKT 1	153	0.04238	110.5331	GEN531447 1-HOLCOMB GENERATOR
FDNS	09ALL		0	15G	G14_003	TO->FROM	FPL SWITCH - WOODWARD 138KV CKT 1	153	0.05561	110.494	DBL-THIS-WIC
FDNS	01G14_003		0	15G	G14_003	TO->FROM	FPL SWITCH - WOODWARD 138KV CKT 1	153	0.03939	110.4043	C_CITY_138 138.00 - NOEL_SW 138.00 138KV CKT 1
FDNS	1		0	15G	G14_003	TO->FROM	FPL SWITCH - WOODWARD 138KV CKT 1	153	0.04117	110.3402	ROMAN NOSE - SOUTHARD 138KV CKT 1
FDNS	1		0	15G	G14_003	TO->FROM	FPL SWITCH - WOODWARD 138KV CKT 1	153	0.04238	110.2761	GEN515397 1-OUSPR1 1 0.6900
FDNS	1		0	15G	G14_003	TO->FROM	FPL SWITCH - WOODWARD 138KV CKT 1	153	0.04007	110.1715	ELLIS 4 138.00 - MOREWOOD SW 138KV CKT 1

SOLUTION	GROUP	SCENARIO	SEASON	SOURCE	DIRECTION	MONITORED ELEMENT	RATEB (MVA)	TDF	TC%LOADING (% MVA)	CONTINGENCY
FDNS	06ALL	0	15G	G14_003	TO->FROM	FPL SWITCH - WOODWARD 138KV CKT 1	153	0.04481	109.9437	THISTLE7 345.00 - WICHITA 345KV CKT 1
FDNS	06ALL	0	15G	G14_003	TO->FROM	FPL SWITCH - WOODWARD 138KV CKT 1	153	0.04481	109.9437	THISTLE7 345.00 - WICHITA 345KV CKT 2
FDNS	1	0	15G	G14_003	TO->FROM	FPL SWITCH - WOODWARD 138KV CKT 1	153	0.04144	109.9291	VIOLA 7 345.00 - WICHITA 345KV CKT 1
FDNS	1	0	15G	G14_003	TO->FROM	FPL SWITCH - WOODWARD 138KV CKT 1	153	0.04238	109.8825	GEN560175 1-G0744_G1403 0.6900
FDNS	06ALL	0	15G	G14_003	TO->FROM	FPL SWITCH - WOODWARD 138KV CKT 1	153	0.04916	109.6864	THISTLE7 345.00 - WOODWARD DISTRICT EHV 345KV CKT 1
FDNS	06ALL	0	15G	G14_003	TO->FROM	FPL SWITCH - WOODWARD 138KV CKT 1	153	0.04916	109.6864	THISTLE7 345.00 - WOODWARD DISTRICT EHV 345KV CKT 2
FDNS	06ALL	0	15G	G14_003	TO->FROM	FPL SWITCH - WOODWARD 138KV CKT 1	153	0.04397	109.6852	DEWEY - TALOGA 138KV CKT 1
FDNS	1	0	15G	G14_003	TO->FROM	FPL SWITCH - WOODWARD 138KV CKT 1	153	0.04117	109.6709	DEWEY - SOUTHARD 138KV CKT 1
FDNS	01ALL	0	15G	G14_003	TO->FROM	FPL SWITCH - WOODWARD 138KV CKT 1	153	0.03883	109.665	CEDARDALE - OKEENE 138KV CKT 1
FDNS	06ALL	0	15G	G14_003	TO->FROM	FPL SWITCH - WOODWARD 138KV CKT 1	153	0.03758	109.5789	SAND RDG_138138.00 - WAKITA_138 138.00 138KV CKT 1
FDNS	6	0	15G	G14_003	TO->FROM	FPL SWITCH - WOODWARD 138KV CKT 1	153	0.04674	109.4564	WOODWARD - WOODWARD 69KV CKT 1
FDNS	01G14_003	0	15G	G14_003	TO->FROM	FPL SWITCH - WOODWARD 138KV CKT 1	153	0.04243	109.3966	GEN515393 1-OGWEND2G
FDNS	01G14_003	0	15G	G14_003	TO->FROM	FPL SWITCH - WOODWARD 138KV CKT 1	153	0.03803	108.9952	IMO TAP - MEN TAP 138KV CKT 1
FDNS	1	0	15G	G14_003	TO->FROM	FPL SWITCH - WOODWARD 138KV CKT 1	153	0.04238	108.9718	GEN560221 1-G07-62-1 0.6900
FDNS	1	0	15G	G14_003	TO->FROM	FPL SWITCH - WOODWARD 138KV CKT 1	153	0.04238	108.9718	GEN560222 1-G07-62-2 0.6900
FDNS	1	0	15G	G14_003	TO->FROM	FPL SWITCH - WOODWARD 138KV CKT 1	153	0.04238	108.9718	GEN560223 1-G07-62-3 0.6900
FDNS	1	0	15G	G14_003	TO->FROM	FPL SWITCH - WOODWARD 138KV CKT 1	153	0.04238	108.9718	GEN560224 1-G07-62-4 0.6900
FDNS	01ALL	0	15G	G14_003	TO->FROM	FPL SWITCH - WOODWARD 138KV CKT 1	153	0.03883	108.8465	CEDARDALE - MOORELAND 138KV CKT 1
FDNS	06ALL	0	15G	G14_003	TO->FROM	FPL SWITCH - WOODWARD 138KV CKT 1	153	0.04159	108.8051	GEN520443 1-REDHIL-WT61 12.000
FDNS	06ALL	0	15G	G14_003	TO->FROM	FPL SWITCH - WOODWARD 138KV CKT 1	153	0.04159	108.7883	GEN514805 1-SOONER UNIT 1
FDNS	1	0	15G	G14_003	TO->FROM	FPL SWITCH - WOODWARD 138KV CKT 1	153	0.03934	108.6807	BYRON_138 138.00 - SANDY_CN_138138.00 138KV CKT 1
FDNS	01G14_003	0	15G	G14_003	TO->FROM	FPL SWITCH - WOODWARD 138KV CKT 1	153	0.04243	108.6509	GEN562023 1-G11_020_3 0.6900
FDNS	01G14_003	0	15G	G14_003	TO->FROM	FPL SWITCH - WOODWARD 138KV CKT 1	153	0.04243	108.6509	GEN562026 1-G11_019_3 0.6900
FDNS	1	0	15G	G14_003	TO->FROM	FPL SWITCH - WOODWARD 138KV CKT 1	153	0.03955	108.5147	DOVER SW - OKEENE 138KV CKT 1
FDNS	01G14_003	0	15G	G14_003	TO->FROM	FPL SWITCH - WOODWARD 138KV CKT 1	153	0.03803	108.3587	CLEOPLT4 138.00 - MEN TAP 138KV CKT 1
FDNS	9	0	15G	G14_003	TO->FROM	FPL SWITCH - WOODWARD 138KV CKT 1	153	0.05559	108.1119	DBL-THIS-WIC
FDNS	01G14_003	0	15G	G14_003	TO->FROM	FPL SWITCH - WOODWARD 138KV CKT 1	153	0.03803	107.8207	CLEO CORNER - CLEOPLT4 138.00 138KV CKT 1
FDNS	1	0	15G	G14_003	TO->FROM	FPL SWITCH - WOODWARD 138KV CKT 1	153	0.03934	107.7492	BYRON_138 138.00 - C_CITY_138 138.00 138KV CKT 1
FDNS	1	0	15G	G14_003	TO->FROM	FPL SWITCH - WOODWARD 138KV CKT 1	153	0.04238	107.6885	GEN525561 1-TOLK GEN #1 24 KV
FDNS	1	0	15G	G14_003	TO->FROM	FPL SWITCH - WOODWARD 138KV CKT 1	153	0.03781	107.4613	WOODWARD - WOODWARD EHV 138KV CKT 1
FDNS	01ALL	0	15G	G14_003	TO->FROM	FPL SWITCH - WOODWARD 138KV CKT 1	153	0.04035	107.3607	ELK CITY - RED HILLS WIND 138KV CKT 1
FDNS	06ALL	0	15G	G14_003	TO->FROM	FPL SWITCH - WOODWARD 138KV CKT 1	153	0.0411	107.3411	WOODRING (WOODRNG2) 345/138/13.8KV TRANSFORMER CKT 1
FDNS	1	0	15G	G14_003	TO->FROM	FPL SWITCH - WOODWARD 138KV CKT 1	153	0.03934	107.1438	C_CITY_138 138.00 - NOEL_SW_138.00 138KV CKT 1
FDNS	01ALL	0	15G	G14_003	TO->FROM	FPL SWITCH - WOODWARD 138KV CKT 1	153	0.03764	107.0446	CLEO CORNER - GLASS MOUNTAIN 138KV CKT 1
FDNS	06ALL	0	15G	G14_003	TO->FROM	FPL SWITCH - WOODWARD 138KV CKT 1	153	0.04159	106.7436	GEN514806 1-SOONER UNIT 2
FDNS	6	0	15G	G14_003	TO->FROM	FPL SWITCH - WOODWARD 138KV CKT 1	153	0.04155	106.6805	GRAPEVINE INTERCHANGE - NICHOLS STATION 230KV CKT 1
FDNS	06ALL	0	15G	G14_003	TO->FROM	FPL SWITCH - WOODWARD 138KV CKT 1	153	0.03923	106.6638	ELLIS 4 138.00 - RED HILLS WIND 138KV CKT 1
FDNS	06ALL	0	15G	G14_003	TO->FROM	FPL SWITCH - WOODWARD 138KV CKT 1	153	0.04159	106.433	GEN515787 1-OKLA WIND ENERGY CENTER
FDNS	01ALL	0	15G	G14_003	TO->FROM	FPL SWITCH - WOODWARD 138KV CKT 1	153	0.03764	106.1856	GLASS MOUNTAIN - MOORELAND 138KV CKT 1
FDNS	06ALL	0	15G	G14_003	TO->FROM	FPL SWITCH - WOODWARD 138KV CKT 1	153	0.04159	106.0355	GEN520922 1-SLEEPING BEAR
FDNS	06ALL	0	15G	G14_003	TO->FROM	FPL SWITCH - WOODWARD 138KV CKT 1	153	0.04395	105.9305	FINNEY SWITCHING STATION - HOLCOMB 345KV CKT 1
FDNS	1	0	15G	G14_003	TO->FROM	FPL SWITCH - WOODWARD 138KV CKT 1	153	0.04238	105.9267	GEN515365 1-CENT 21 0.7000
FDNS	1	0	15G	G14_003	TO->FROM	FPL SWITCH - WOODWARD 138KV CKT 1	153	0.04238	105.8559	GEN515393 1-OGWEND2G
FDNS	1	0	15G	G14_003	TO->FROM	FPL SWITCH - WOODWARD 138KV CKT 1	153	0.03799	105.7967	IMO TAP - MEN TAP 138KV CKT 1
FDNS	6	0	15G	G14_003	TO->FROM	FPL SWITCH - WOODWARD 138KV CKT 1	153	0.04226	105.668	OKLAUNION - TUCO INTERCHANGE 345KV CKT 1
FDNS	06ALL	0	15G	G14_003	TO->FROM	FPL SWITCH - WOODWARD 138KV CKT 1	153	0.04159	105.4522	GEN336821 1-GRAND GULF UNIT
FDNS	06ALL	0	15G	G14_003	TO->FROM	FPL SWITCH - WOODWARD 138KV CKT 1	153	0.04159	105.3758	GEN509416 1-TURK GENERATION
FDNS	09ALL	0	15G	G14_003	TO->FROM	FPL SWITCH - WOODWARD 138KV CKT 1	153	0.04878	105.3442	IODINE - WOODWARD EHV 138KV CKT 1
FDNS	06ALL	0	15G	G14_003	TO->FROM	FPL SWITCH - WOODWARD 138KV CKT 1	153	0.04159	105.3309	GEN509403 1-PIRKEY GENERATION
FDNS	06ALL	0	15G	G14_003	TO->FROM	FPL SWITCH - WOODWARD 138KV CKT 1	153	0.0386	105.3033	SANDY_CN_138138.00 - WAKITA_138 138.00 138KV CKT 1
FDNS	06ALL	0	15G	G14_003	TO->FROM	FPL SWITCH - WOODWARD 138KV CKT 1	153	0.04159	105.2711	GEN337911 1-ARKANSAS NUCLEAR ONE UNIT #2
FDNS	06ALL	0	15G	G14_003	TO->FROM	FPL SWITCH - WOODWARD 138KV CKT 1	153	0.04243	105.2236	G11-17T 345.00 - POST ROCK 345KV CKT 1
FDNS	1	0	15G	G14_003	TO->FROM	FPL SWITCH - WOODWARD 138KV CKT 1	153	0.03799	105.1614	CLEOPLT4 138.00 - MEN TAP 138KV CKT 1
FDNS	06ALL	0	15G	G14_003	TO->FROM	FPL SWITCH - WOODWARD 138KV CKT 1	153	0.04159	105.1327	GEN520947 1-HUGO1
FDNS	1	0	15G	G14_003	TO->FROM	FPL SWITCH - WOODWARD 138KV CKT 1	153	0.04238	105.1074	GEN562023 1-G11_020_3 0.6900
FDNS	1	0	15G	G14_003	TO->FROM	FPL SWITCH - WOODWARD 138KV CKT 1	153	0.04238	105.1074	GEN562026 1-G11_019_3 0.6900
FDNS	06ALL	0	15G	G14_003	TO->FROM	FPL SWITCH - WOODWARD 138KV CKT 1	153	0.04159	105.0599	GEN515226 1-MUSKOGEE 6G
FDNS	6	0	15G	G14_003	TO->FROM	FPL SWITCH - WOODWARD 138KV CKT 1	153	0.03763	105.0364	SAND RDG_138138.00 - WAKITA_138 138.00 138KV CKT 1
FDNS	06ALL	0	15G	G14_003	TO->FROM	FPL SWITCH - WOODWARD 138KV CKT 1	153	0.04431	104.9911	CIMARRON - NORTHWEST 345KV CKT 1
FDNS	06ALL	0	15G	G14_003	TO->FROM	FPL SWITCH - WOODWARD 138KV CKT 1	153	0.04159	104.9636	GEN336153 1-WATERFORD UNIT#3
FDNS	06ALL	0	15G	G14_003	TO->FROM	FPL SWITCH - WOODWARD 138KV CKT 1	153	0.04271	104.9221	FARGO JCT - WOODWARD 69KV CKT 1
FDNS	06ALL	0	15G	G14_003	TO->FROM	FPL SWITCH - WOODWARD 138KV CKT 1	153	0.04395	104.8764	SPP-SWPS-05
FDNS	06ALL	0	15G	G14_003	TO->FROM	FPL SWITCH - WOODWARD 138KV CKT 1	153	0.04395	104.8351	FINNEY SWITCHING STATION - Hitchland Interchange 345KV CKT 1
FDNS	06ALL	0	15G	G14_003	TO->FROM	FPL SWITCH - WOODWARD 138KV CKT 1	153	0.04159	104.7837	GEN337910 1-ARKANSAS NUCLEAR ONE UNIT #1
FDNS	06ALL	0	15G	G14_003	TO->FROM	FPL SWITCH - WOODWARD 138KV CKT 1	153	0.04159	104.783	GEN515225 1-MUSKOGEE 5G
FDNS	06ALL	0	15G	G14_003	TO->FROM	FPL SWITCH - WOODWARD 138KV CKT 1	153	0.04159	104.7829	GEN515223 1-MUSKOGEE 4G

SOLUTION	GROUP	SCENARIO	SEASON	SOURCE	DIRECTION	MONITORED ELEMENT	RATEB (MVA)	TDF	TC%LOADING (% MVA)	CONTINGENCY
FDNS	06ALL		0 15G	G14_003	TO->FROM	FPL SWITCH - WOODWARD 138KV CKT 1	153	0.04159	104.7823	GEN509406 1-WELSH #3
FDNS	06ALL		0 15G	G14_003	TO->FROM	FPL SWITCH - WOODWARD 138KV CKT 1	153	0.04159	104.7821	GEN509404 1-WELSH #1
FDNS	06ALL		0 15G	G14_003	TO->FROM	FPL SWITCH - WOODWARD 138KV CKT 1	153	0.04136	104.7811	ELK CITY - FALCON ROAD 138KV CKT 1
FDNS	06ALL		0 15G	G14_003	TO->FROM	FPL SWITCH - WOODWARD 138KV CKT 1	153	0.04159	104.7442	GEN501801 1-DOLET HILLS UNIT1
FDNS	1		0 15G	G14_003	TO->FROM	FPL SWITCH - WOODWARD 138KV CKT 1	153	0.03799	104.6235	CLEO CORNER - CLEOPLT4 138.00 138KV CKT 1
FDNS	06ALL		0 15G	G14_003	TO->FROM	FPL SWITCH - WOODWARD 138KV CKT 1	153	0.04159	104.6212	GEN335831 1-RIVERBEND UNIT#1
FDNS	01G14_003		0 15G	G14_003	TO->FROM	FPL SWITCH - WOODWARD 138KV CKT 1	153	0.03862	104.5639	CEDARDALE - OKEENE 138KV CKT 1
FDNS	06ALL		0 15G	G14_003	TO->FROM	FPL SWITCH - WOODWARD 138KV CKT 1	153	0.03923	104.5337	ELLIS 4 138.00 - MOREWOOD SW 138KV CKT 1
FDNS	06ALL		0 15G	G14_003	TO->FROM	FPL SWITCH - WOODWARD 138KV CKT 1	153	0.04082	104.5151	SOONER - WOODRING 345KV CKT 1
FDNS	06ALL		0 15G	G14_003	TO->FROM	FPL SWITCH - WOODWARD 138KV CKT 1	153	0.04204	104.5087	SPP-MKEC-08
FDNS	06ALL		0 15G	G14_003	TO->FROM	FPL SWITCH - WOODWARD 138KV CKT 1	153	0.04159	104.4997	GEN511839 1-NORTHEASTERN STATION #2
FDNS	06ALL		0 15G	G14_003	TO->FROM	FPL SWITCH - WOODWARD 138KV CKT 1	153	0.04159	104.4881	GEN511840 1-NORTHEASTERN STATION #3
FDNS	06ALL		0 15G	G14_003	TO->FROM	FPL SWITCH - WOODWARD 138KV CKT 1	153	0.04159	104.4417	GEN511841 1-NORTHEASTERN STATION #4
FDNS	06ALL		0 15G	G14_003	TO->FROM	FPL SWITCH - WOODWARD 138KV CKT 1	153	0.04159	104.4358	GEN509394 1-FLINT CREEK
FDNS	06ALL		0 15G	G14_003	TO->FROM	FPL SWITCH - WOODWARD 138KV CKT 1	153	0.04243	104.41	G11-17T 345.00 - SPEARVILLE 345KV CKT 1
FDNS	06ALL		0 15G	G14_003	TO->FROM	FPL SWITCH - WOODWARD 138KV CKT 1	153	0.04159	104.4074	GEN512688 2-GRDA1 GSU2 22
FDNS	06ALL		0 15G	G14_003	TO->FROM	FPL SWITCH - WOODWARD 138KV CKT 1	153	0.04159	104.3688	GEN509405 1-WELSH #2
FDNS	06ALL		0 15G	G14_003	TO->FROM	FPL SWITCH - WOODWARD 138KV CKT 1	153	0.04159	104.2437	GEN337653 1-WHITE BLUFF UNIT #2
FDNS	6		0 15G	G14_003	TO->FROM	FPL SWITCH - WOODWARD 138KV CKT 1	153	0.04405	104.1075	DEWEY - TALOGA 138KV CKT 1
FDNS	01G14_003		0 15G	G14_003	TO->FROM	FPL SWITCH - WOODWARD 138KV CKT 1	153	0.03862	103.7675	CEDARDALE - MOORELAND 138KV CKT 1
FDNS	6		0 15G	G14_003	TO->FROM	FPL SWITCH - WOODWARD 138KV CKT 1	153	0.0449	103.6716	THISTLE7 345.00 - WICHITA 345KV CKT 1
FDNS	6		0 15G	G14_003	TO->FROM	FPL SWITCH - WOODWARD 138KV CKT 1	153	0.0449	103.6716	THISTLE7 345.00 - WICHITA 345KV CKT 2
FDNS	6		0 15G	G14_003	TO->FROM	FPL SWITCH - WOODWARD 138KV CKT 1	153	0.04166	103.4679	GEN514805 1-SOONER UNIT 1
FDNS	09ALL		0 15G	G14_003	TO->FROM	FPL SWITCH - WOODWARD 138KV CKT 1	153	0.04878	103.4561	DEWEY - IODINE 138KV CKT 1
FDNS	01ALL		0 15G	G14_003	TO->FROM	FPL SWITCH - WOODWARD 138KV CKT 1	153	0.03804	103.2259	MOORELAND - NOEL_SW 138.00 138KV CKT 1
FDNS	6		0 15G	G14_003	TO->FROM	FPL SWITCH - WOODWARD 138KV CKT 1	153	0.04166	103.2248	GEN520443 1-REDHIL-WTG1 12.000
FDNS	9		0 15G	G14_003	TO->FROM	FPL SWITCH - WOODWARD 138KV CKT 1	153	0.04875	103.0846	IODINE - WOODWARD EHV 138KV CKT 1
FDNS	01ALL		0 15G	G14_003	TO->FROM	FPL SWITCH - WOODWARD 138KV CKT 1	153	0.03774	102.9802	MOREWOOD SW - NINE MILE 138KV CKT 1
FDNS	6		0 15G	G14_003	TO->FROM	FPL SWITCH - WOODWARD 138KV CKT 1	153	0.04927	102.8363	THISTLE7 345.00 - WOODWARD DISTRICT EHV 345KV CKT 1
FDNS	6		0 15G	G14_003	TO->FROM	FPL SWITCH - WOODWARD 138KV CKT 1	153	0.04927	102.8363	THISTLE7 345.00 - WOODWARD DISTRICT EHV 345KV CKT 2
FDNS	01G14_003		0 15G	G14_003	TO->FROM	FPL SWITCH - WOODWARD 138KV CKT 1	153	0.03743	102.3584	CLEO CORNER - GLASS MOUNTAIN 138KV CKT 1
FDNS	01ALL		0 15G	G14_003	TO->FROM	FPL SWITCH - WOODWARD 138KV CKT 1	153	0.03774	102.32	MOORELAND - NINE MILE 138KV CKT 1
FDNS	06ALL		0 15G	G14_003	TO->FROM	FPL SWITCH - WOODWARD 138KV CKT 1	153	0.04159	102.2509	NC1_GEN-NEBRASKA CITY 1
FDNS	6		0 15G	G14_003	TO->FROM	FPL SWITCH - WOODWARD 138KV CKT 1	153	0.04117	102.0258	WOODRING (WOODRNG2) 345/138/13.8KV TRANSFORMER CKT 1
FDNS	09ALL		0 15G	G14_003	TO->FROM	FPL SWITCH - WOODWARD 138KV CKT 1	153	0.04185	101.7529	BASE CASE
FDNS	09ALL		0 15G	G14_003	TO->FROM	FPL SWITCH - WOODWARD 138KV CKT 1	153	0.04185	101.7529	BASE CASE
FDNS	01G14_003		0 15G	G14_003	TO->FROM	FPL SWITCH - WOODWARD 138KV CKT 1	153	0.03743	101.5267	GLASS MOUNTAIN - MOORELAND 138KV CKT 1
FDNS	6		0 15G	G14_003	TO->FROM	FPL SWITCH - WOODWARD 138KV CKT 1	153	0.04166	101.3864	GEN514806 1-SOONER UNIT 2
FDNS	1		0 15G	G14_003	TO->FROM	FPL SWITCH - WOODWARD 138KV CKT 1	153	0.03858	101.3199	CEDARDALE - OKEENE 138KV CKT 1
FDNS	01G14_003		0 15G	G14_003	TO->FROM	FPL SWITCH - WOODWARD 138KV CKT 1	153	0.04012	101.3113	ELK CITY - RED HILLS WIND 138KV CKT 1
FDNS	9		0 15G	G14_003	TO->FROM	FPL SWITCH - WOODWARD 138KV CKT 1	153	0.04875	101.1859	DEWEY - IODINE 138KV CKT 1
FDNS	6		0 15G	G14_003	TO->FROM	FPL SWITCH - WOODWARD 138KV CKT 1	153	0.04166	100.9273	GEN515787 1-OKLA WIND ENERGY CENTER
FDNS	6		0 15G	G14_003	TO->FROM	FPL SWITCH - WOODWARD 138KV CKT 1	153	0.04166	100.5582	GEN520922 1-SLEEPING BEAR
FDNS	6		0 15G	G14_003	TO->FROM	FPL SWITCH - WOODWARD 138KV CKT 1	153	0.03866	100.5523	SANDY_CN 138138.00 - WAKITA 138 138.00 138KV CKT 1
FDNS	1		0 15G	G14_003	TO->FROM	FPL SWITCH - WOODWARD 138KV CKT 1	153	0.03858	100.5211	CEDARDALE - MOORELAND 138KV CKT 1
FDNS	6		0 15G	G14_003	TO->FROM	FPL SWITCH - WOODWARD 138KV CKT 1	153	0.03932	100.4987	ELLIS 4 138.00 - RED HILLS WIND 138KV CKT 1
FDNS	09ALL		0 15G	G14_003	TO->FROM	FPL SWITCH - WOODWARD 138KV CKT 1	153	0.04695	100.4235	WOODWARD - WOODWARD 69KV CKT 1
FDNS	06ALL		0 15G	G14_003	TO->FROM	FPL SWITCH - WOODWARD 138KV CKT 1	153	0.04159	100.165	GEN560121 1-G08-47 0.5750
FDNS	06ALL		0 15G	G14_003	TO->FROM	FPL SWITCH - WOODWARD 138KV CKT 1	153	0.04159	100.1402	GEN562432 1-G13-030 0.6900
FDNS	06ALL		0 15G	G14_003	TO->FROM	FPL SWITCH - WOODWARD 138KV CKT 1	153	0.04135	100.1005	KNOBHILL (KNOBHIL4) 138/69/13.2KV TRANSFORMER CKT 1
FDNS	06ALL		0 15G	G14_003	TO->FROM	FPL SWITCH - WOODWARD 138KV CKT 1	153	0.04159	100.1	GEN532652 1-JEFFREY ENERGY CENTER UNIT 2
FDNS	06ALL		0 15G	G14_003	TO->FROM	FPL SWITCH - WOODWARD 138KV CKT 1	153	0.04159	100.1	GEN532653 1-JEFFREY ENERGY CENTER UNIT 3
FDNS	09ALL		0 15G	G14_003	TO->FROM	FPL SWITCH - WOODWARD 138KV CKT 1	153	0.03778	100.0969	SAND RDG 138138.00 - WAKITA 138 138.00 138KV CKT 1
FDNS	06ALL		0 15G	G14_003	TO->FROM	FPL SWITCH - WOODWARD 138KV CKT 1	153	0.04159	100.0756	GEN527161 1-MUSTANG GEN #1
FDNS	06ALL		0 15G	G14_003	TO->FROM	FPL SWITCH - WOODWARD 138KV CKT 1	153	0.04159	100.0756	GEN527162 1-MUSTANG GEN #2
FDNS	06ALL		0 15G	G14_003	TO->FROM	FPL SWITCH - WOODWARD 138KV CKT 1	153	0.04154	100.0736	DELAWARE - NORTHEAST STATION 345KV CKT 1
FDNS	06ALL		0 15G	G14_003	TO->FROM	FPL SWITCH - WOODWARD 138KV CKT 1	153	0.04135	100.0715	KNOBHILL - NOEL_SW 138.00 138KV CKT 1
FDNS	6		0 15G	G14_003	TO->FROM	FPL SWITCH - WOODWARD 138KV CKT 1	153	0.04166	100	GEN509416 1-TURK GENERATION
FDNS	06ALL		0 15G	G14_003	TO->FROM	FPL SWITCH - WOODWARD 138KV CKT 1	153	0.04159	100	GEN532651 1-JEFFREY ENERGY CENTER UNIT 1
FDNS	6		0 15G	G14_003	TO->FROM	FPL SWITCH - WOODWARD 138KV CKT 1	153	0.04166	99.9	GEN336821 1-GRAND GULF UNIT
FDNS	6		0 15G	G14_003	TO->FROM	FPL SWITCH - WOODWARD 138KV CKT 1	153	0.04166	99.9	GEN509403 1-PIRKEY GENERATION
FDNS	06ALL		0 15G	G14_003	TO->FROM	FPL SWITCH - WOODWARD 138KV CKT 1	153	0.04159	99.9	GEN640009 1-COOPER NUCLEAR STATION
FDNS	06ALL		0 15G	G14_003	TO->FROM	FPL SWITCH - WOODWARD 138KV CKT 1	153	0.04159	99.9	GEN645012 2-NEBRASKA CITY 2
FDNS	06ALL		0 15G	G14_003	TO->FROM	FPL SWITCH - WOODWARD 138KV CKT 1	153	0.04111	99.9	OPENSKEY7 345.00 - ROSE HILL 345KV CKT 1
FDNS	06ALL		0 15G	G14_003	TO->FROM	FPL SWITCH - WOODWARD 138KV CKT 1	153	0.03657	99.9	MOREWOOD SW - NINE MILE 138KV CKT 1
FDNS	6		0 15G	G14_003	TO->FROM	FPL SWITCH - WOODWARD 138KV CKT 1	153	0.04166	99.8	GEN337911 1-ARKANSAS NUCLEAR ONE UNIT #2

SOLUTION	GROUP	SCENARIO	SEASON	SOURCE	DIRECTION	MONITORED ELEMENT	RATEB (MVA)	TDF	TC%LOADING (% MVA)	CONTINGENCY
FDNS	06ALL	0	15G	G14_003	TO->FROM	FPL SWITCH - WOODWARD 138KV CKT 1	153	0.04229	99.8	DBL-CLRK-THI
FDNS	06ALL	0	15G	G14_003	TO->FROM	FPL SWITCH - WOODWARD 138KV CKT 1	153	0.04159	99.8	GEN527901 1-HOBBS PLANT #1 (CT)
FDNS	06ALL	0	15G	G14_003	TO->FROM	FPL SWITCH - WOODWARD 138KV CKT 1	153	0.04159	99.8	GEN527902 1-HOBBS PLANT #2 (CT)
FDNS	6	0	15G	G14_003	TO->FROM	FPL SWITCH - WOODWARD 138KV CKT 1	153	0.04166	99.7	GEN520947 1-HUGO1
FDNS	06ALL	0	15G	G14_003	TO->FROM	FPL SWITCH - WOODWARD 138KV CKT 1	153	0.04159	99.7	GEN515365 1-CENT 21 0.7000
FDNS	06ALL	0	15G	G14_003	TO->FROM	FPL SWITCH - WOODWARD 138KV CKT 1	153	0.04159	99.7	GEN527163 1-MUSTANG GEN #3 22 KV
FDNS	06ALL	0	15G	G14_003	TO->FROM	FPL SWITCH - WOODWARD 138KV CKT 1	153	0.04159	99.7	GEN539670 4-JUDSON LARGE GENERATOR
FDNS	06ALL	0	15G	G14_003	TO->FROM	FPL SWITCH - WOODWARD 138KV CKT 1	153	0.04159	99.7	GEN640011 2-GERALD GENTLEMAN STATION UNIT 2
FDNS	06ALL	0	15G	G14_003	TO->FROM	FPL SWITCH - WOODWARD 138KV CKT 1	153	0.04061	99.7	WOODWARD - WOODWARD EHV 138KV CKT 2
FDNS	6	0	15G	G14_003	TO->FROM	FPL SWITCH - WOODWARD 138KV CKT 1	153	0.04438	99.6	CIMARRON - NORTHWEST 345KV CKT 1
FDNS	6	0	15G	G14_003	TO->FROM	FPL SWITCH - WOODWARD 138KV CKT 1	153	0.04166	99.6	GEN515226 1-MUSKOGEE 6G
FDNS	9	0	15G	G14_003	TO->FROM	FPL SWITCH - WOODWARD 138KV CKT 1	153	0.04182	99.6	BASE CASE
FDNS	9	0	15G	G14_003	TO->FROM	FPL SWITCH - WOODWARD 138KV CKT 1	153	0.04182	99.6	BASE CASE
FDNS	06ALL	0	15G	G14_003	TO->FROM	FPL SWITCH - WOODWARD 138KV CKT 1	153	0.04159	99.6	GEN515393 1-OGEWIND2G
FDNS	06ALL	0	15G	G14_003	TO->FROM	FPL SWITCH - WOODWARD 138KV CKT 1	153	0.04159	99.6	GEN526332 1-JONES GEN #2 21 KV
FDNS	6	0	15G	G14_003	TO->FROM	FPL SWITCH - WOODWARD 138KV CKT 1	153	0.04251	99.5	G11-17T 345.00 - POST ROCK 345KV CKT 1
FDNS	06ALL	0	15G	G14_003	TO->FROM	FPL SWITCH - WOODWARD 138KV CKT 1	153	0.04159	99.5	GEN527166 1-MUSTANG_6 118.000
FDNS	06ALL	0	15G	G14_003	TO->FROM	FPL SWITCH - WOODWARD 138KV CKT 1	153	0.04159	99.5	GEN562023 1-G11_020_3 0.6900
FDNS	06ALL	0	15G	G14_003	TO->FROM	FPL SWITCH - WOODWARD 138KV CKT 1	153	0.04159	99.5	GEN562026 1-G11_019_3 0.6900
FDNS	06ALL	0	15G	G14_003	TO->FROM	FPL SWITCH - WOODWARD 138KV CKT 1	153	0.04159	99.5	GEN635214 4-NEAL UNIT 4
FDNS	06ALL	0	15G	G14_003	TO->FROM	FPL SWITCH - WOODWARD 138KV CKT 1	153	0.0386	99.5	BYRON_138 138.00 - SANDY_CN_138138.00 138KV CKT 1
FDNS	01ALL	0	15G	G14_003	FROM->TO	HARPER - MILAN TAP 138KV CKT 1	143.4	0.03029	143.6463	DBL-THIS-WIC
FDNS	01G14_003	0	15G	G14_003	FROM->TO	HARPER - MILAN TAP 138KV CKT 1	143.4	0.03028	129.0692	DBL-THIS-WIC
FDNS	1	0	15G	G14_003	FROM->TO	HARPER - MILAN TAP 138KV CKT 1	143.4	0.03027	125.8587	DBL-THIS-WIC
FDNS	01ALL	0	15G	G14_003	TO->FROM	NORTHWEST - TATONGA7 345.00 345KV CKT 1	1195	0.60056	106.2943	DBL-THIS-WWR
FDNS	00G14_012	0	20SP	G14_012	FROM->TO	ANDREWS 6230.00 (FROM BORDEN) 230/115/13.2KV TRANSFORMER CKT 2	168	0.15678	103.1246	ANDREWS 6230.00 (FROM MIDLAND) 230/115/13.2KV TRANSFORMER CKT 1
FDNS	0	0	20SP	G14_012	FROM->TO	ANDREWS 6230.00 (FROM BORDEN) 230/115/13.2KV TRANSFORMER CKT 2	168	0.15678	103.1226	ANDREWS 6230.00 (FROM MIDLAND) 230/115/13.2KV TRANSFORMER CKT 1
FDNS	00G14_012	0	20WP	G14_012	FROM->TO	ANDREWS 6230.00 (FROM BORDEN) 230/115/13.2KV TRANSFORMER CKT 2	168	0.15672	102.0183	ANDREWS 6230.00 (FROM MIDLAND) 230/115/13.2KV TRANSFORMER CKT 1
FDNS	0	0	20WP	G14_012	FROM->TO	ANDREWS 6230.00 (FROM BORDEN) 230/115/13.2KV TRANSFORMER CKT 2	168	0.15672	102.0157	ANDREWS 6230.00 (FROM MIDLAND) 230/115/13.2KV TRANSFORMER CKT 1
FDNS	00G14_012	0	20SP	G14_012	FROM->TO	ANDREWS 6230.00 (FROM MIDLAND) 230/115/13.2KV TRANSFORMER CKT 1	168	0.15655	102.9708	ANDREWS 6230.00 (FROM BORDEN) 230/115/13.2KV TRANSFORMER CKT 2
FDNS	0	0	20SP	G14_012	FROM->TO	ANDREWS 6230.00 (FROM MIDLAND) 230/115/13.2KV TRANSFORMER CKT 1	168	0.15655	102.9688	ANDREWS 6230.00 (FROM BORDEN) 230/115/13.2KV TRANSFORMER CKT 2
FDNS	00G14_012	0	20WP	G14_012	FROM->TO	ANDREWS 6230.00 (FROM MIDLAND) 230/115/13.2KV TRANSFORMER CKT 1	168	0.15649	101.8669	ANDREWS 6230.00 (FROM BORDEN) 230/115/13.2KV TRANSFORMER CKT 2
FDNS	0	0	20WP	G14_012	FROM->TO	ANDREWS 6230.00 (FROM MIDLAND) 230/115/13.2KV TRANSFORMER CKT 1	168	0.15649	101.8643	ANDREWS 6230.00 (FROM BORDEN) 230/115/13.2KV TRANSFORMER CKT 2
FDNS	0	0	20SP	G14_012	FROM->TO	National Enrichment Plant Sub - TARGA 3115.00 115KV CKT 1	120	0.08346	190.2138	KIOWA 7345.00 - RDRUNNER 7345.00 345KV CKT 1
FDNS	00G14_012	0	20SP	G14_012	FROM->TO	National Enrichment Plant Sub - TARGA 3115.00 115KV CKT 1	120	0.08346	190.2137	KIOWA 7345.00 - RDRUNNER 7345.00 345KV CKT 1
FDNS	0	0	25SP	G14_012	FROM->TO	National Enrichment Plant Sub - TARGA 3115.00 115KV CKT 1	120	0.08964	188.7665	EDDY_STH 3115.00 - PECOS INTERCHANGE 115KV CKT 1
FDNS-CHECK-TC-Blown Up	0	0	25SP	G14_012	FROM->TO	National Enrichment Plant Sub - TARGA 3115.00 115KV CKT 1	120	0.09021	187.7	CARLSBAD INTERCHANGE 115KV SWITCHED SHUNT
FDNS	00G14_012	0	20SP	G14_012	FROM->TO	National Enrichment Plant Sub - TARGA 3115.00 115KV CKT 1	120	0.08346	187.4906	RDRUNNER 7345.00 (UPDATE LATER) 345/115/13.2KV TRANSFORMER CKT 1
FDNS	0	0	20SP	G14_012	FROM->TO	National Enrichment Plant Sub - TARGA 3115.00 115KV CKT 1	120	0.08346	187.4897	RDRUNNER 7345.00 (UPDATE LATER) 345/115/13.2KV TRANSFORMER CKT 1
FDNS	00G14_012	0	25SP	G14_012	FROM->TO	National Enrichment Plant Sub - TARGA 3115.00 115KV CKT 1	120	0.08982	187.0445	CENTRAL VALLEY REC-AZOTEA MESA (CONE BUTTE) - PECOS INTERCHANGE 115KV CKT 1
FDNS	0	0	25SP	G14_012	FROM->TO	National Enrichment Plant Sub - TARGA 3115.00 115KV CKT 1	120	0.09021	185.953	POTASH JUNCTION INTERCHANGE (DS F78600413) 115/69/13.2KV TRANSFORMER CKT 2
FDNS	0	0	25SP	G14_012	FROM->TO	National Enrichment Plant Sub - TARGA 3115.00 115KV CKT 1	120	0.09025	185.9104	MUSTANG STATION - YOAKUM COUNTY INTERCHANGE 230KV CKT 1
FDNS	00G14_012	0	25SP	G14_012	FROM->TO	National Enrichment Plant Sub - TARGA 3115.00 115KV CKT 1	120	0.0902	185.8147	FINNEY SWITCHING STATION - Hitchland Interchange 345KV CKT 1
FDNS	00G14_012	0	25SP	G14_012	FROM->TO	National Enrichment Plant Sub - TARGA 3115.00 115KV CKT 1	120	0.09017	185.7864	CENTRAL VALLEY REC-DAYTON - EDDY_STH 3115.00 115KV CKT 1
FDNS	0	0	25SP	G14_012	FROM->TO	National Enrichment Plant Sub - TARGA 3115.00 115KV CKT 1	120	0.09026	185.6984	AMOCO WASSON SWITCHING STATION - OXYBRU_TP 6230.00 230KV CKT 1
FDNS	0	0	25SP	G14_012	FROM->TO	National Enrichment Plant Sub - TARGA 3115.00 115KV CKT 1	120	0.09026	185.6744	OXYBRU_TP 6230.00 - YOAKUM COUNTY INTERCHANGE 230KV CKT 1
FDNS	00G14_012	0	25SP	G14_012	FROM->TO	National Enrichment Plant Sub - TARGA 3115.00 115KV CKT 1	120	0.0902	185.471	POTTER COUNTY INTERCHANGE (WAUK 90343-A) 345/230/13.2KV TRANSFORMER CKT 1
FDNS	0	0	25SP	G14_012	FROM->TO	National Enrichment Plant Sub - TARGA 3115.00 115KV CKT 1	120	0.09021	185.1624	DRINKARD SUB 115KV SWITCHED SHUNT
FDNSLock	0	0	25SP	G14_012	FROM->TO	National Enrichment Plant Sub - TARGA 3115.00 115KV CKT 1	120	0.09021	185.1624	DRINKARD SUB 115KV SWITCHED SHUNT
FDNS	00G14_012	0	25SP	G14_012	FROM->TO	National Enrichment Plant Sub - TARGA 3115.00 115KV CKT 1	120	0.0902	184.9644	SPSCONT-02
FDNS	00G14_012	0	25SP	G14_012	FROM->TO	National Enrichment Plant Sub - TARGA 3115.00 115KV CKT 1	120	0.0902	184.9578	SPP-SWPS-04
FDNS	00G14_012	0	25SP	G14_012	FROM->TO	National Enrichment Plant Sub - TARGA 3115.00 115KV CKT 1	120	0.0902	184.9357	Hitchland Interchange - POTTER COUNTY INTERCHANGE 345KV CKT 1
FDNS	00G14_012	0	25SP	G14_012	FROM->TO	National Enrichment Plant Sub - TARGA 3115.00 115KV CKT 1	120	0.0902	184.6116	COCHRAN INTERCHANGE 115KV SWITCHED SHUNT
FDNSLock	00G14_012	0	25SP	G14_012	FROM->TO	National Enrichment Plant Sub - TARGA 3115.00 115KV CKT 1	120	0.0902	184.6116	COCHRAN INTERCHANGE 115KV SWITCHED SHUNT

SOLUTION	GROUP	SCENARIO	SEASON	SOURCE	DIRECTION	MONITORED ELEMENT	RATEB (MVA)	TDF	TC%LOADING (% MVA)	CONTINGENCY
FDNS	0	0	25SP	G14_012	FROM->TO	National Enrichment Plant Sub - TARGA 3115.00 115KV CKT 1	120	0.09066	184.5088	PECOS INTERCHANGE - POTASH JUNCTION INTERCHANGE 230KV CKT 1
FDNS	0	0	25SP	G14_012	FROM->TO	National Enrichment Plant Sub - TARGA 3115.00 115KV CKT 1	120	0.09021	184.3322	EAGLE CREEK 115KV SWITCHED SHUNT
FDNSLock	0	0	25SP	G14_012	FROM->TO	National Enrichment Plant Sub - TARGA 3115.00 115KV CKT 1	120	0.09021	184.3322	EAGLE CREEK 115KV SWITCHED SHUNT
FDNS	0	0	25SP	G14_012	FROM->TO	National Enrichment Plant Sub - TARGA 3115.00 115KV CKT 1	120	0.09003	184.3145	CHAVES COUNTY INTERCHANGE - EDDY_NORTH 6230.00 230KV CKT 1
FDNS	0	0	25SP	G14_012	FROM->TO	National Enrichment Plant Sub - TARGA 3115.00 115KV CKT 1	120	0.09021	184.2936	EDDY COUNTY INTERCHANGE 115KV SWITCHED SHUNT
FDNSLock	0	0	25SP	G14_012	FROM->TO	National Enrichment Plant Sub - TARGA 3115.00 115KV CKT 1	120	0.09021	184.2936	EDDY COUNTY INTERCHANGE 115KV SWITCHED SHUNT
FDNS	0	0	25SP	G14_012	FROM->TO	National Enrichment Plant Sub - TARGA 3115.00 115KV CKT 1	120	0.09021	184.2517	ROSWELL INTERCHANGE 69KV SWITCHED SHUNT
FDNSLock	0	0	25SP	G14_012	FROM->TO	National Enrichment Plant Sub - TARGA 3115.00 115KV CKT 1	120	0.09021	184.2517	ROSWELL INTERCHANGE 69KV SWITCHED SHUNT
FDNS	00G14_012	0	25SP	G14_012	FROM->TO	National Enrichment Plant Sub - TARGA 3115.00 115KV CKT 1	120	0.09028	183.9369	HOCKLEY COUNTY INTERCHANGE - LAMB COUNTY INTERCHANGE 115KV CKT 1
FDNS	00G14_012	0	25SP	G14_012	FROM->TO	National Enrichment Plant Sub - TARGA 3115.00 115KV CKT 1	120	0.0902	183.9092	DEXTER INTERCHANGE 69KV SWITCHED SHUNT
FDNSLock	00G14_012	0	25SP	G14_012	FROM->TO	National Enrichment Plant Sub - TARGA 3115.00 115KV CKT 1	120	0.0902	183.9092	DEXTER INTERCHANGE 69KV SWITCHED SHUNT
FDNS	00G14_012	0	25SP	G14_012	FROM->TO	National Enrichment Plant Sub - TARGA 3115.00 115KV CKT 1	120	0.09022	183.8983	WOLFFORTH INTERCHANGE (WH 7001668) 230/115/13.2KV TRANSFORMER CKT 1
FDNS	0	0	25SP	G14_012	FROM->TO	National Enrichment Plant Sub - TARGA 3115.00 115KV CKT 1	120	0.09021	183.8479	ARTESIA INTERCHANGE 69KV SWITCHED SHUNT
FDNSLock	0	0	25SP	G14_012	FROM->TO	National Enrichment Plant Sub - TARGA 3115.00 115KV CKT 1	120	0.09021	183.8479	ARTESIA INTERCHANGE 69KV SWITCHED SHUNT
FDNS	0	0	25SP	G14_012	FROM->TO	National Enrichment Plant Sub - TARGA 3115.00 115KV CKT 1	120	0.08984	183.7431	CENTRAL VALLEY REC-AZOTEA MESA (CONE BUTTE) - SEVEN RIVERS INTERCHANGE 115KV CKT 1
FDNS	00G14_012	0	25SP	G14_012	FROM->TO	National Enrichment Plant Sub - TARGA 3115.00 115KV CKT 1	120	0.0902	183.6987	SUNDOWN INTERCHANGE 115KV SWITCHED SHUNT
FDNSLock	00G14_012	0	25SP	G14_012	FROM->TO	National Enrichment Plant Sub - TARGA 3115.00 115KV CKT 1	120	0.0902	183.6987	SUNDOWN INTERCHANGE 115KV SWITCHED SHUNT
FDNS	00G14_012	0	25SP	G14_012	FROM->TO	National Enrichment Plant Sub - TARGA 3115.00 115KV CKT 1	120	0.09028	183.5303	COCHRAN INTERCHANGE - PACIFIC SUB 115KV CKT 1
FDNS	00G14_012	0	25SP	G14_012	FROM->TO	National Enrichment Plant Sub - TARGA 3115.00 115KV CKT 1	120	0.09099	183.0984	Higg Switch Station - XTO_RUSSEL 3115.00 115KV CKT 1
FDNS	0	0	25SP	G14_012	FROM->TO	National Enrichment Plant Sub - TARGA 3115.00 115KV CKT 1	120	0.0906	183.0463	ENRON TAP - PEARL SUB 115KV CKT 1
FDNS	0	0	25SP	G14_012	FROM->TO	National Enrichment Plant Sub - TARGA 3115.00 115KV CKT 1	120	0.09026	182.8521	SUNDOWN INTERCHANGE (WH XDS70381) 230/115/13.8KV TRANSFORMER CKT 1
FDNS	0	0	25SP	G14_012	FROM->TO	National Enrichment Plant Sub - TARGA 3115.00 115KV CKT 1	120	0.09021	182.6306	POTASH JUNCTION INTERCHANGE (LIKE LBBKSTH) 115/69/13.2KV TRANSFORMER CKT 1
FDNS	0	0	25SP	G14_012	FROM->TO	National Enrichment Plant Sub - TARGA 3115.00 115KV CKT 1	120	0.09021	182.1827	CHAVES COUNTY INTERCHANGE (LIKE POTTER) 230/115/13.2KV TRANSFORMER CKT 2
FDNS	0	0	25SP	G14_012	FROM->TO	National Enrichment Plant Sub - TARGA 3115.00 115KV CKT 1	120	0.09021	182.1753	CHAVES COUNTY INTERCHANGE (ABB 801429) 230/115/13.2KV TRANSFORMER CKT 1
FDNS	0	0	25SP	G14_012	FROM->TO	National Enrichment Plant Sub - TARGA 3115.00 115KV CKT 1	120	0.09029	182.0616	PACIFIC SUB - SUNDOWN INTERCHANGE 115KV CKT 1
FDNS	0	0	25SP	G14_012	FROM->TO	National Enrichment Plant Sub - TARGA 3115.00 115KV CKT 1	120	0.09015	181.8716	CHINA_DRAW 3115.00 - NORTH_LOVNG3115.00 115KV CKT 1
FDNS	0	0	25SP	G14_012	FROM->TO	National Enrichment Plant Sub - TARGA 3115.00 115KV CKT 1	120	0.09046	181.8602	SUNDOWN INTERCHANGE - WOLFFORTH INTERCHANGE 230KV CKT 1
FDNS	0	0	25SP	G14_012	FROM->TO	National Enrichment Plant Sub - TARGA 3115.00 115KV CKT 1	120	0.09021	181.7697	LAMB COUNTY INTERCHANGE - TOLK STATION WEST 230KV CKT 1
FDNS	0	0	25SP	G14_012	FROM->TO	National Enrichment Plant Sub - TARGA 3115.00 115KV CKT 1	120	0.09021	181.7305	SPP-SWPS-K37
FDNS	0	0	25SP	G14_012	FROM->TO	National Enrichment Plant Sub - TARGA 3115.00 115KV CKT 1	120	0.09021	181.7268	LAMB COUNTY INTERCHANGE (WH ALM20172) 230/115/13.2KV TRANSFORMER CKT 1
FDNS	0	0	25SP	G14_012	FROM->TO	National Enrichment Plant Sub - TARGA 3115.00 115KV CKT 1	120	0.08999	181.6236	HOPI_SUB 3115.00 - PECOS INTERCHANGE 115KV CKT 1
FDNS	0	0	25SP	G14_012	FROM->TO	National Enrichment Plant Sub - TARGA 3115.00 115KV CKT 1	120	0.08984	181.572	CENTRAL VALLEY REC-AZOTEA MESA (CONE BUTTE) - PECOS INTERCHANGE 115KV CKT 1
FDNS	0	0	25SP	G14_012	FROM->TO	National Enrichment Plant Sub - TARGA 3115.00 115KV CKT 1	120	0.09042	181.315	GAINES COUNTY INTERCHANGE - SEMINOLE 115KV CKT 1
FDNS	00G14_012	0	25SP	G14_012	FROM->TO	National Enrichment Plant Sub - TARGA 3115.00 115KV CKT 1	120	0.0902	179.5781	BASE CASE
FDNS	00G14_012	0	25SP	G14_012	FROM->TO	National Enrichment Plant Sub - TARGA 3115.00 115KV CKT 1	120	0.0902	179.5781	BASE CASE
FDNS	0	0	25SP	G14_012	FROM->TO	National Enrichment Plant Sub - TARGA 3115.00 115KV CKT 1	120	0.09341	177.8693	SWITCH 4J44 - WEST HOBBS SWITCHING STATION 115KV CKT 1
FDNS	0	0	25SP	G14_012	FROM->TO	National Enrichment Plant Sub - TARGA 3115.00 115KV CKT 1	120	0.09341	177.8642	OXY_S_HOBBS3115.00 - SWITCH 4J44 115KV CKT 1
FDNS	0	0	25SP	G14_012	FROM->TO	National Enrichment Plant Sub - TARGA 3115.00 115KV CKT 1	120	0.09021	176.4332	BASE CASE
FDNS	0	0	25SP	G14_012	FROM->TO	National Enrichment Plant Sub - TARGA 3115.00 115KV CKT 1	120	0.09021	176.4332	BASE CASE
FDNS	00G14_012	0	25SP	G14_012	FROM->TO	National Enrichment Plant Sub - TARGA 3115.00 115KV CKT 1	120	0.09456	173.7925	SPP-SWPS-T42
FDNS	0	0	20SP	G14_012	FROM->TO	National Enrichment Plant Sub - TARGA 3115.00 115KV CKT 1	120	0.08392	173.7833	BYRD SUB - MONUMENT TAP 115KV CKT 1
FDNS	00G14_012	0	20SP	G14_012	FROM->TO	National Enrichment Plant Sub - TARGA 3115.00 115KV CKT 1	120	0.08392	173.7804	BYRD SUB - MONUMENT TAP 115KV CKT 1
FDNS	0	0	20SP	G14_012	FROM->TO	National Enrichment Plant Sub - TARGA 3115.00 115KV CKT 1	120	0.08392	173.7448	CUNNINGHAM STATION - MONUMENT TAP 115KV CKT 1
FDNS	00G14_012	0	20SP	G14_012	FROM->TO	National Enrichment Plant Sub - TARGA 3115.00 115KV CKT 1	120	0.08392	173.7418	CUNNINGHAM STATION - MONUMENT TAP 115KV CKT 1
FDNS	0	0	25SP	G14_012	FROM->TO	National Enrichment Plant Sub - TARGA 3115.00 115KV CKT 1	120	0.09457	173.4325	MADDOX STATION - MONUMENT SUB 115KV CKT 1
FDNS	00G14_012	0	25SP	G14_012	FROM->TO	National Enrichment Plant Sub - TARGA 3115.00 115KV CKT 1	120	0.11781	173.1646	DRINKARD TAP - WEST HOBBS SWITCHING STATION 115KV CKT 1
FDNS	00G14_012	0	25SP	G14_012	FROM->TO	National Enrichment Plant Sub - TARGA 3115.00 115KV CKT 1	120	0.0902	173.0976	SPP-SWPS-W22
FDNS	0	0	25SP	G14_012	FROM->TO	National Enrichment Plant Sub - TARGA 3115.00 115KV CKT 1	120	0.09457	172.9977	MONUMENT SUB - WEST HOBBS SWITCHING STATION 115KV CKT 1
FDNS	00G14_012	0	25SP	G14_012	FROM->TO	National Enrichment Plant Sub - TARGA 3115.00 115KV CKT 1	120	0.07789	171.9474	AGAVE_RHILL3115.00 - OCHOA SUB 115KV CKT 1
FDNS	0	0	20SP	G14_012	FROM->TO	National Enrichment Plant Sub - TARGA 3115.00 115KV CKT 1	120	0.08201	171.6742	INTREPDW_TP3115.00 - POTASH JUNCTION INTERCHANGE 115KV CKT 1
FDNS	00G14_012	0	20SP	G14_012	FROM->TO	National Enrichment Plant Sub - TARGA 3115.00 115KV CKT 1	120	0.08201	171.6731	INTREPDW_TP3115.00 - POTASH JUNCTION INTERCHANGE 115KV CKT 1
FDNS	0	0	25SP	G14_012	FROM->TO	National Enrichment Plant Sub - TARGA 3115.00 115KV CKT 1	120	0.09457	171.0224	SPP-SWPS-T42
FDNS	00G14_012	0	25SP	G14_012	FROM->TO	National Enrichment Plant Sub - TARGA 3115.00 115KV CKT 1	120	0.06261	170.7949	LIVSTNRIDGE3115.00 - SAGE_BRUSH 3115.00 115KV CKT 1
FDNS	00G14_012	0	25SP	G14_012	FROM->TO	National Enrichment Plant Sub - TARGA 3115.00 115KV CKT 1	120	0.0902	170.4413	CHINA_DRAW 3115.00 - YESO_HILLS 3115.00 115KV CKT 1
FDNS	0	0	25SP	G14_012	FROM->TO	National Enrichment Plant Sub - TARGA 3115.00 115KV CKT 1	120	0.09021	170.1327	SPP-SWPS-W23
FDNS	0	0	25SP	G14_012	FROM->TO	National Enrichment Plant Sub - TARGA 3115.00 115KV CKT 1	120	0.07788	169.2623	AGAVE_RHILL3115.00 - OCHOA SUB 115KV CKT 1
FDNS	0	0	25SP	G14_012	FROM->TO	National Enrichment Plant Sub - TARGA 3115.00 115KV CKT 1	120	0.09021	169.0123	SPP-SWPS-W22
FDNS	0	0	25SP	G14_012	FROM->TO	National Enrichment Plant Sub - TARGA 3115.00 115KV CKT 1	120	0.0906	167.8981	SPP-SWPS-V83

SOLUTION	GROUP	SCENARIO	SEASON	SOURCE	DIRECTION	MONITORED ELEMENT		RATEB (MVA)	TDF	TC%LOADING (% MVA)	CONTINGENCY
FDNS	0	0	25SP	G14_012	FROM->TO	National Enrichment Plant Sub - TARGA	3115.00 115KV CKT 1	120	0.0626	167.7478	LIVSTNRIDGE3115.00 - SAGE_BRUSH 3115.00 115KV CKT 1
FDNS	0	0	25SP	G14_012	FROM->TO	National Enrichment Plant Sub - TARGA	3115.00 115KV CKT 1	120	0.09021	166.5411	CHINA_DRAW 3115.00 - YESO_HILLS 3115.00 115KV CKT 1
FDNS	0	0	20SP	G14_012	FROM->TO	National Enrichment Plant Sub - TARGA	3115.00 115KV CKT 1	120	0.08392	165.6064	BYRD SUB - COOPER RANCH SUB 115KV CKT 1
FDNS	00G14_012	0	20SP	G14_012	FROM->TO	National Enrichment Plant Sub - TARGA	3115.00 115KV CKT 1	120	0.08392	165.6039	BYRD SUB - COOPER RANCH SUB 115KV CKT 1
FDNS	0	0	20SP	G14_012	FROM->TO	National Enrichment Plant Sub - TARGA	3115.00 115KV CKT 1	120	0.08392	164.2731	COOPER RANCH SUB - OIL_CENTER 3115.00 115KV CKT 1
FDNS	00G14_012	0	20SP	G14_012	FROM->TO	National Enrichment Plant Sub - TARGA	3115.00 115KV CKT 1	120	0.08392	164.2694	COOPER RANCH SUB - OIL_CENTER 3115.00 115KV CKT 1
FDNS	0	0	20SP	G14_012	FROM->TO	National Enrichment Plant Sub - TARGA	3115.00 115KV CKT 1	120	0.08392	163.6315	LEA ROAD SUB - OIL_CENTER 3115.00 115KV CKT 1
FDNS	00G14_012	0	20SP	G14_012	FROM->TO	National Enrichment Plant Sub - TARGA	3115.00 115KV CKT 1	120	0.08392	163.6284	LEA ROAD SUB - OIL_CENTER 3115.00 115KV CKT 1
FDNS	00G14_012	0	25SP	G14_012	FROM->TO	National Enrichment Plant Sub - TARGA	3115.00 115KV CKT 1	120	0.0902	163.2168	PNDEROSATP 3115.00 - PONDEROSA 3115.00 115KV CKT 1
FDNS	0	0	20SP	G14_012	FROM->TO	National Enrichment Plant Sub - TARGA	3115.00 115KV CKT 1	120	0.08201	162.2527	IMC_#1_TP 3115.00 - INTREPDW_TP3115.00 115KV CKT 1
FDNS	00G14_012	0	20SP	G14_012	FROM->TO	National Enrichment Plant Sub - TARGA	3115.00 115KV CKT 1	120	0.08201	162.2476	IMC_#1_TP 3115.00 - INTREPDW_TP3115.00 115KV CKT 1
FDNS	00G14_012	0	25SP	G14_012	FROM->TO	National Enrichment Plant Sub - TARGA	3115.00 115KV CKT 1	120	0.0902	160.7649	DOLLARHIDE SUB - TOBOSOFLATS3115.00 115KV CKT 1
FDNS	0	0	25SP	G14_012	FROM->TO	National Enrichment Plant Sub - TARGA	3115.00 115KV CKT 1	120	0.09021	159.7273	PNDEROSATP 3115.00 - PONDEROSA 3115.00 115KV CKT 1
FDNS	0	0	20SP	G14_012	FROM->TO	National Enrichment Plant Sub - TARGA	3115.00 115KV CKT 1	120	0.08392	158.7116	LEA ROAD SUB - WARD SUB 115KV CKT 1
FDNS	00G14_012	0	20SP	G14_012	FROM->TO	National Enrichment Plant Sub - TARGA	3115.00 115KV CKT 1	120	0.08392	158.7089	LEA ROAD SUB - WARD SUB 115KV CKT 1
FDNS	0	0	20SP	G14_012	FROM->TO	National Enrichment Plant Sub - TARGA	3115.00 115KV CKT 1	120	0.08392	158.1066	SPP-SWPS-T39
FDNS	00G14_012	0	20SP	G14_012	FROM->TO	National Enrichment Plant Sub - TARGA	3115.00 115KV CKT 1	120	0.08392	158.1031	SPP-SWPS-T39
FDNS	0	0	20SP	G14_012	FROM->TO	National Enrichment Plant Sub - TARGA	3115.00 115KV CKT 1	120	0.08392	157.4823	WARD SUB - WHITTEN SUB 115KV CKT 1
FDNS	00G14_012	0	20SP	G14_012	FROM->TO	National Enrichment Plant Sub - TARGA	3115.00 115KV CKT 1	120	0.08392	157.4795	WARD SUB - WHITTEN SUB 115KV CKT 1
FDNS	0	0	25SP	G14_012	FROM->TO	National Enrichment Plant Sub - TARGA	3115.00 115KV CKT 1	120	0.09021	157.3286	DOLLARHIDE SUB - TOBOSOFLATS3115.00 115KV CKT 1
FDNS	0	0	20SP	G14_012	FROM->TO	National Enrichment Plant Sub - TARGA	3115.00 115KV CKT 1	120	0.08201	156.3152	IMC_#1_TP 3115.00 - LIVSTNRIDGE3115.00 115KV CKT 1
FDNS	00G14_012	0	20SP	G14_012	FROM->TO	National Enrichment Plant Sub - TARGA	3115.00 115KV CKT 1	120	0.08201	156.3139	IMC_#1_TP 3115.00 - LIVSTNRIDGE3115.00 115KV CKT 1
FDNS	0	0	20WP	G14_012	FROM->TO	National Enrichment Plant Sub - TARGA	3115.00 115KV CKT 1	139	0.08348	155.2117	KIOWA 7345.00 - RDRUNNER 7345.00 345KV CKT 1
FDNS	00G14_012	0	20WP	G14_012	FROM->TO	National Enrichment Plant Sub - TARGA	3115.00 115KV CKT 1	139	0.08348	155.2086	KIOWA 7345.00 - RDRUNNER 7345.00 345KV CKT 1
FDNS	0	0	20WP	G14_012	FROM->TO	National Enrichment Plant Sub - TARGA	3115.00 115KV CKT 1	139	0.08348	153.9421	RDRUNNER 7345.00 (UPDATE LATER) 345/115/13.2KV TRANSFORMER CKT 1
FDNS	00G14_012	0	20WP	G14_012	FROM->TO	National Enrichment Plant Sub - TARGA	3115.00 115KV CKT 1	139	0.08348	153.9399	RDRUNNER 7345.00 (UPDATE LATER) 345/115/13.2KV TRANSFORMER CKT 1
FDNS	0	0	20SP	G14_012	FROM->TO	National Enrichment Plant Sub - TARGA	3115.00 115KV CKT 1	120	0.11749	150.3373	HOBBS (UPDATE DATA) 345/230/13.2KV TRANSFORMER CKT 1
FDNS	00G14_012	0	20SP	G14_012	FROM->TO	National Enrichment Plant Sub - TARGA	3115.00 115KV CKT 1	120	0.11749	150.3324	HOBBS (UPDATE DATA) 345/230/13.2KV TRANSFORMER CKT 1
FDNS	0	0	20SP	G14_012	FROM->TO	National Enrichment Plant Sub - TARGA	3115.00 115KV CKT 1	120	0.09453	144.0119	CUNNINGHAM STATION - POTASH JUNCTION INTERCHANGE 230KV CKT 1
FDNS	00G14_012	0	20SP	G14_012	FROM->TO	National Enrichment Plant Sub - TARGA	3115.00 115KV CKT 1	120	0.09453	144.0099	CUNNINGHAM STATION - POTASH JUNCTION INTERCHANGE 230KV CKT 1
FDNS	0	0	20WP	G14_012	FROM->TO	National Enrichment Plant Sub - TARGA	3115.00 115KV CKT 1	139	0.08396	143.8635	BYRD SUB - MONUMENT TAP 115KV CKT 1
FDNS	00G14_012	0	20WP	G14_012	FROM->TO	National Enrichment Plant Sub - TARGA	3115.00 115KV CKT 1	139	0.08396	143.8581	BYRD SUB - MONUMENT TAP 115KV CKT 1
FDNS	0	0	20WP	G14_012	FROM->TO	National Enrichment Plant Sub - TARGA	3115.00 115KV CKT 1	139	0.08396	143.8338	CUNNINGHAM STATION - MONUMENT TAP 115KV CKT 1
FDNS	00G14_012	0	20WP	G14_012	FROM->TO	National Enrichment Plant Sub - TARGA	3115.00 115KV CKT 1	139	0.08396	143.8284	CUNNINGHAM STATION - MONUMENT TAP 115KV CKT 1
FDNS	0	0	20SP	G14_012	FROM->TO	National Enrichment Plant Sub - TARGA	3115.00 115KV CKT 1	120	0.07787	143.5236	AGAVE_RHILL3115.00 - RDRUNNER 3115.00 115KV CKT 1
FDNS	00G14_012	0	20SP	G14_012	FROM->TO	National Enrichment Plant Sub - TARGA	3115.00 115KV CKT 1	120	0.07787	143.5228	AGAVE_RHILL3115.00 - RDRUNNER 3115.00 115KV CKT 1
FDNS	0	0	20WP	G14_012	FROM->TO	National Enrichment Plant Sub - TARGA	3115.00 115KV CKT 1	139	0.08201	143.0123	INTREPDW_TP3115.00 - POTASH JUNCTION INTERCHANGE 115KV CKT 1
FDNS	00G14_012	0	20WP	G14_012	FROM->TO	National Enrichment Plant Sub - TARGA	3115.00 115KV CKT 1	139	0.08201	143.0095	INTREPDW_TP3115.00 - POTASH JUNCTION INTERCHANGE 115KV CKT 1
FDNS	0	0	20SP	G14_012	FROM->TO	National Enrichment Plant Sub - TARGA	3115.00 115KV CKT 1	120	0.09017	142.9673	KIOWA 7345.00 - NLOV_PLT 7345.00 345KV CKT 1
FDNS	00G14_012	0	20SP	G14_012	FROM->TO	National Enrichment Plant Sub - TARGA	3115.00 115KV CKT 1	120	0.09017	142.9659	KIOWA 7345.00 - NLOV_PLT 7345.00 345KV CKT 1
FDNS	0	0	20SP	G14_012	FROM->TO	National Enrichment Plant Sub - TARGA	3115.00 115KV CKT 1	120	0.08034	140.8813	HOBBS - YOAKUM_345 345.00 345KV CKT 1
FDNS	00G14_012	0	20SP	G14_012	FROM->TO	National Enrichment Plant Sub - TARGA	3115.00 115KV CKT 1	120	0.08034	140.8804	HOBBS - YOAKUM_345 345.00 345KV CKT 1
FDNS	0	0	20SP	G14_012	FROM->TO	National Enrichment Plant Sub - TARGA	3115.00 115KV CKT 1	120	0.09017	140.5268	POTASH JUNCTION INTERCHANGE (UPDATE LATER) 230/115/13.2KV TRANSFORMER CKT 1
FDNS	00G14_012	0	20SP	G14_012	FROM->TO	National Enrichment Plant Sub - TARGA	3115.00 115KV CKT 1	120	0.09017	140.5219	POTASH JUNCTION INTERCHANGE (UPDATE LATER) 230/115/13.2KV TRANSFORMER CKT 1
FDNS	0	0	20SP	G14_012	FROM->TO	National Enrichment Plant Sub - TARGA	3115.00 115KV CKT 1	120	0.09	139.4318	CHINA_DRAW 7345.00 - NLOV_PLT 7345.00 345KV CKT 1
FDNS	00G14_012	0	20SP	G14_012	FROM->TO	National Enrichment Plant Sub - TARGA	3115.00 115KV CKT 1	120	0.09	139.4301	CHINA_DRAW 7345.00 - NLOV_PLT 7345.00 345KV CKT 1
FDNS	0	0	20SP	G14_012	FROM->TO	National Enrichment Plant Sub - TARGA	3115.00 115KV CKT 1	120	0.09	138.8376	CHINA_DRAW 7345.00 (UPDATE LATER) 345/115/13.2KV TRANSFORMER CKT 1
FDNS	00G14_012	0	20SP	G14_012	FROM->TO	National Enrichment Plant Sub - TARGA	3115.00 115KV CKT 1	120	0.09	138.8361	CHINA_DRAW 7345.00 (UPDATE LATER) 345/115/13.2KV TRANSFORMER CKT 1
FDNS	0	0	20SP	G14_012	FROM->TO	National Enrichment Plant Sub - TARGA	3115.00 115KV CKT 1	120	0.08934	138.4305	CHINA_DRAW 3115.00 - WOOD_DRAW 3115.00 115KV CKT 1
FDNS	00G14_012	0	20SP	G14_012	FROM->TO	National Enrichment Plant Sub - TARGA	3115.00 115KV CKT 1	120	0.08934	138.4287	CHINA_DRAW 3115.00 - WOOD_DRAW 3115.00 115KV CKT 1
FDNS	0	0	20WP	G14_012	FROM->TO	National Enrichment Plant Sub - TARGA	3115.00 115KV CKT 1	139	0.08396	137.7788	BYRD SUB - COOPER RANCH SUB 115KV CKT 1
FDNS	00G14_012	0	20WP	G14_012	FROM->TO	National Enrichment Plant Sub - TARGA	3115.00 115KV CKT 1	139	0.08396	137.7733	BYRD SUB - COOPER RANCH SUB 115KV CKT 1
FDNS	0	0	20WP	G14_012	FROM->TO	National Enrichment Plant Sub - TARGA	3115.00 115KV CKT 1	139	0.08396	136.8728	COOPER RANCH SUB - OIL_CENTER 3115.00 115KV CKT 1
FDNS	00G14_012	0	20WP	G14_012	FROM->TO	National Enrichment Plant Sub - TARGA	3115.00 115KV CKT 1	139	0.08396	136.8674	COOPER RANCH SUB - OIL_CENTER 3115.00 115KV CKT 1
FDNS	0	0	20WP	G14_012	FROM->TO	National Enrichment Plant Sub - TARGA	3115.00 115KV CKT 1	139	0.08396	136.476	LEA ROAD SUB - OIL_CENTER 3115.00 115KV CKT 1
FDNS	00G14_012	0	20WP	G14_012	FROM->TO	National Enrichment Plant Sub - TARGA	3115.00 115KV CKT 1	139	0.08396	136.4705	LEA ROAD SUB - OIL_CENTER 3115.00 115KV CKT 1
FDNS	0	0	20WP	G14_012	FROM->TO	National Enrichment Plant Sub - TARGA	3115.00 115KV CKT 1	139	0.08201	136.3948	IMC_#1_TP 3115.00 - INTREPDW_TP3115.00 115KV CKT 1
FDNS	00G14_012	0	20WP	G14_012	FROM->TO	National Enrichment Plant Sub - TARGA	3115.00 115KV CKT 1	139	0.08201	136.3919	IMC_#1_TP 3115.00 - INTREPDW_TP3115.00 115KV CKT 1
FDNS	0	0	20SP	G14_012	FROM->TO	National Enrichment Plant Sub - TARGA	3115.00 115KV CKT 1	120	0.09019	136.1352	GEN528560 1-DOLLARHIDE 112.470
FDNS	00G14_012	0	20SP	G14_012	FROM->TO	National Enrichment Plant Sub - TARGA	3115.00 115KV CKT 1	120	0.09019	136.1333	GEN528560 1-DOLLARHIDE 112.470
FDNS	0	0	20SP	G14_012	FROM->TO	National Enrichment Plant Sub - TARGA	3115.00 115KV CKT 1	120	0.09433	135.8157	CUNNINGHAM STATION - EDDY COUNTY INTERCHANGE 230KV CKT 1
FDNS	00G14_012	0	20SP	G14_012	FROM->TO	National Enrichment Plant Sub - TARGA	3115.00 115KV CKT 1	120	0.09433	135.8134	CUNNINGHAM STATION - EDDY COUNTY INTERCHANGE 230KV CKT 1

SOLUTION	GROUP	SCENARIO	SEASON	SOURCE	DIRECTION	MONITORED ELEMENT	RATEB (MVA)	TDF	TC%LOADING (% MVA)	CONTINGENCY					
FDNS	0		0	2OSP	G14_012	FROM->TO	National Enrichment Plant Sub - TARGA	3115.00	115KV	CKT 1	120	0.09019	135.7831	GEN528546 1-S_JAL	112.470
FDNS	00G14_012		0	2OSP	G14_012	FROM->TO	National Enrichment Plant Sub - TARGA	3115.00	115KV	CKT 1	120	0.09019	135.7812	GEN528546 1-S_JAL	112.470
FDNS	0		0	2OSP	G14_012	FROM->TO	National Enrichment Plant Sub - TARGA	3115.00	115KV	CKT 1	120	0.09058	135.7009	MADDOX STATION - PEARL SUB	115KV CKT 1
FDNS	00G14_012		0	2OSP	G14_012	FROM->TO	National Enrichment Plant Sub - TARGA	3115.00	115KV	CKT 1	120	0.09058	135.6971	MADDOX STATION - PEARL SUB	115KV CKT 1
FDNS	0		0	2OSP	G14_012	FROM->TO	National Enrichment Plant Sub - TARGA	3115.00	115KV	CKT 1	120	0.09157	135.6854	PCA INTERCHANGE - QUAHADA	3115.00 115KV CKT 1
FDNS	00G14_012		0	2OSP	G14_012	FROM->TO	National Enrichment Plant Sub - TARGA	3115.00	115KV	CKT 1	120	0.09157	135.6831	PCA INTERCHANGE - QUAHADA	3115.00 115KV CKT 1
FDNS	0		0	2OSP	G14_012	FROM->TO	National Enrichment Plant Sub - TARGA	3115.00	115KV	CKT 1	120	0.0887	135.3105	CROSSROADS 345.00 - EDDY COUNTY INTERCHANGE	345KV CKT 1
FDNS	0		0	2OSP	G14_012	FROM->TO	National Enrichment Plant Sub - TARGA	3115.00	115KV	CKT 1	120	0.0887	135.3098	CROSSROADS 345.00 - EDDY COUNTY INTERCHANGE	345KV CKT 1
FDNS	00G14_012		0	2OSP	G14_012	FROM->TO	National Enrichment Plant Sub - TARGA	3115.00	115KV	CKT 1	120	0.0887	135.3063	EDDY COUNTY INTERCHANGE (ABB AEM30711)	345/230/13.2KV TRANSFORMER CKT 1
FDNS	0		0	2OSP	G14_012	FROM->TO	National Enrichment Plant Sub - TARGA	3115.00	115KV	CKT 1	120	0.0887	135.3054	EDDY COUNTY INTERCHANGE (ABB AEM30711)	345/230/13.2KV TRANSFORMER CKT 1
FDNS	0		0	2OSP	G14_012	FROM->TO	National Enrichment Plant Sub - TARGA	3115.00	115KV	CKT 1	120	0.08872	135.2896	SPP-SWPS-06	
FDNS	00G14_012		0	2OSP	G14_012	FROM->TO	National Enrichment Plant Sub - TARGA	3115.00	115KV	CKT 1	120	0.08872	135.2875	SPP-SWPS-06	
FDNS	0		0	2OSP	G14_012	FROM->TO	National Enrichment Plant Sub - TARGA	3115.00	115KV	CKT 1	120	0.09063	135.2534	CUNNINGHAM STATION - QUAHADA	3115.00 115KV CKT 1
FDNS	00G14_012		0	2OSP	G14_012	FROM->TO	National Enrichment Plant Sub - TARGA	3115.00	115KV	CKT 1	120	0.09063	135.2514	CUNNINGHAM STATION - QUAHADA	3115.00 115KV CKT 1
FDNS	0		0	2OSP	G14_012	FROM->TO	National Enrichment Plant Sub - TARGA	3115.00	115KV	CKT 1	120	0.09019	132.1615	BASE CASE	
FDNS	0		0	2OSP	G14_012	FROM->TO	National Enrichment Plant Sub - TARGA	3115.00	115KV	CKT 1	120	0.09019	132.1615	BASE CASE	
FDNS	00G14_012		0	2OSP	G14_012	FROM->TO	National Enrichment Plant Sub - TARGA	3115.00	115KV	CKT 1	120	0.09019	132.1596	BASE CASE	
FDNS	00G14_012		0	2OSP	G14_012	FROM->TO	National Enrichment Plant Sub - TARGA	3115.00	115KV	CKT 1	120	0.09019	132.1596	BASE CASE	
FDNS	0		0	2OWP	G14_012	FROM->TO	National Enrichment Plant Sub - TARGA	3115.00	115KV	CKT 1	139	0.08396	131.5809	LEA ROAD SUB - WARD SUB	115KV CKT 1
FDNS	00G14_012		0	2OWP	G14_012	FROM->TO	National Enrichment Plant Sub - TARGA	3115.00	115KV	CKT 1	139	0.08396	131.5754	LEA ROAD SUB - WARD SUB	115KV CKT 1
FDNS	0		0	2OWP	G14_012	FROM->TO	National Enrichment Plant Sub - TARGA	3115.00	115KV	CKT 1	139	0.08201	131.4906	IMC_#1_TP 3115.00 - LIVSTNRIDGE	3115.00 115KV CKT 1
FDNS	00G14_012		0	2OWP	G14_012	FROM->TO	National Enrichment Plant Sub - TARGA	3115.00	115KV	CKT 1	139	0.08201	131.4877	IMC_#1_TP 3115.00 - LIVSTNRIDGE	3115.00 115KV CKT 1
FDNS	0		0	2OWP	G14_012	FROM->TO	National Enrichment Plant Sub - TARGA	3115.00	115KV	CKT 1	139	0.08396	131.3863	SPP-SWPS-T39	
FDNS	00G14_012		0	2OWP	G14_012	FROM->TO	National Enrichment Plant Sub - TARGA	3115.00	115KV	CKT 1	139	0.08396	131.3807	SPP-SWPS-T39	
FDNS	0		0	2OWP	G14_012	FROM->TO	National Enrichment Plant Sub - TARGA	3115.00	115KV	CKT 1	139	0.08396	130.8445	WARD SUB - WHITTEN SUB	115KV CKT 1
FDNS	00G14_012		0	2OWP	G14_012	FROM->TO	National Enrichment Plant Sub - TARGA	3115.00	115KV	CKT 1	139	0.08396	130.839	WARD SUB - WHITTEN SUB	115KV CKT 1
FDNS	0		0	2OSP	G14_012	FROM->TO	National Enrichment Plant Sub - TARGA	3115.00	115KV	CKT 1	120	0.09019	129.7583	GEN527903 1-HOBBS PLANT #3 (ST)	
FDNS	00G14_012		0	2OSP	G14_012	FROM->TO	National Enrichment Plant Sub - TARGA	3115.00	115KV	CKT 1	120	0.09019	129.7551	GEN527903 1-HOBBS PLANT #3 (ST)	
FDNS	0		0	2OSP	G14_012	FROM->TO	National Enrichment Plant Sub - TARGA	3115.00	115KV	CKT 1	120	0.08932	129.413	SAND DUNES SUB - WIPP SUB	115KV CKT 1
FDNS	00G14_012		0	2OSP	G14_012	FROM->TO	National Enrichment Plant Sub - TARGA	3115.00	115KV	CKT 1	120	0.08932	129.4112	SAND DUNES SUB - WIPP SUB	115KV CKT 1
FDNS	0		0	2OSP	G14_012	FROM->TO	National Enrichment Plant Sub - TARGA	3115.00	115KV	CKT 1	120	0.08932	128.8562	LIVSTNRIDGE3115.00 - WIPP SUB	115KV CKT 1
FDNS	00G14_012		0	2OSP	G14_012	FROM->TO	National Enrichment Plant Sub - TARGA	3115.00	115KV	CKT 1	120	0.08932	128.8472	LIVSTNRIDGE3115.00 - WIPP SUB	115KV CKT 1
FDNS	0		0	2OSP	G14_012	FROM->TO	National Enrichment Plant Sub - TARGA	3115.00	115KV	CKT 1	120	0.1178	128.8269	DRINKARD SUB - DRINKARD TAP	115KV CKT 1
FDNS	00G14_012		0	2OSP	G14_012	FROM->TO	National Enrichment Plant Sub - TARGA	3115.00	115KV	CKT 1	120	0.1178	128.8265	DRINKARD SUB - DRINKARD TAP	115KV CKT 1
FDNS	0		0	2OSP	G14_012	FROM->TO	National Enrichment Plant Sub - TARGA	3115.00	115KV	CKT 1	120	0.09455	127.0675	SPP-SWPS-T42	
FDNS	00G14_012		0	2OSP	G14_012	FROM->TO	National Enrichment Plant Sub - TARGA	3115.00	115KV	CKT 1	120	0.09455	127.0644	SPP-SWPS-T42	
FDNS	0		0	2OSP	G14_012	FROM->TO	National Enrichment Plant Sub - TARGA	3115.00	115KV	CKT 1	120	0.09455	127.0298	MONUMENT SUB - WEST HOBBS SWITCHING STATION	115KV CKT 1
FDNS	00G14_012		0	2OSP	G14_012	FROM->TO	National Enrichment Plant Sub - TARGA	3115.00	115KV	CKT 1	120	0.09455	127.0265	MONUMENT SUB - WEST HOBBS SWITCHING STATION	115KV CKT 1
FDNS	0		0	2OSP	G14_012	FROM->TO	National Enrichment Plant Sub - TARGA	3115.00	115KV	CKT 1	120	0.09455	126.4541	MADDOX STATION - MONUMENT SUB	115KV CKT 1
FDNS	00G14_012		0	2OSP	G14_012	FROM->TO	National Enrichment Plant Sub - TARGA	3115.00	115KV	CKT 1	120	0.09455	126.4523	MADDOX STATION - MONUMENT SUB	115KV CKT 1
FDNS	0		0	2OSP	G14_012	FROM->TO	National Enrichment Plant Sub - TARGA	3115.00	115KV	CKT 1	120	0.09019	125.9309	PNDEROSATP 3115.00 - PONDEROSA	3115.00 115KV CKT 1
FDNS	00G14_012		0	2OSP	G14_012	FROM->TO	National Enrichment Plant Sub - TARGA	3115.00	115KV	CKT 1	120	0.09019	125.9289	PNDEROSATP 3115.00 - PONDEROSA	3115.00 115KV CKT 1
FDNS	0		0	2OWP	G14_012	FROM->TO	National Enrichment Plant Sub - TARGA	3115.00	115KV	CKT 1	139	0.11748	125.494	HOBBS (UPDATE DATA) 345/230/13.2KV TRANSFORMER	CKT 1
FDNS	00G14_012		0	2OWP	G14_012	FROM->TO	National Enrichment Plant Sub - TARGA	3115.00	115KV	CKT 1	139	0.11748	125.4877	HOBBS (UPDATE DATA) 345/230/13.2KV TRANSFORMER	CKT 1
FDNS	0		0	2OSP	G14_012	FROM->TO	National Enrichment Plant Sub - TARGA	3115.00	115KV	CKT 1	120	0.1178	124.409	DRINKARD TAP - WEST HOBBS SWITCHING STATION	115KV CKT 1
FDNS	00G14_012		0	2OSP	G14_012	FROM->TO	National Enrichment Plant Sub - TARGA	3115.00	115KV	CKT 1	120	0.1178	124.4085	DRINKARD TAP - WEST HOBBS SWITCHING STATION	115KV CKT 1
FDNS	0		0	2OSP	G14_012	FROM->TO	National Enrichment Plant Sub - TARGA	3115.00	115KV	CKT 1	120	0.07787	124.4056	AGAVE_RHILL3115.00 - OCHOA SUB	115KV CKT 1
FDNS	00G14_012		0	2OSP	G14_012	FROM->TO	National Enrichment Plant Sub - TARGA	3115.00	115KV	CKT 1	120	0.07787	124.4043	AGAVE_RHILL3115.00 - OCHOA SUB	115KV CKT 1
FDNS	0		0	2OSP	G14_012	FROM->TO	National Enrichment Plant Sub - TARGA	3115.00	115KV	CKT 1	120	0.09019	124.0278	DOLLARHIDE SUB - TOBOSOFLATS3115.00	115KV CKT 1
FDNS	00G14_012		0	2OSP	G14_012	FROM->TO	National Enrichment Plant Sub - TARGA	3115.00	115KV	CKT 1	120	0.09019	124.0259	DOLLARHIDE SUB - TOBOSOFLATS3115.00	115KV CKT 1
FDNS	0		0	2OSP	G14_012	FROM->TO	National Enrichment Plant Sub - TARGA	3115.00	115KV	CKT 1	120	0.0626	121.5875	LIVSTNRIDGE3115.00 - SAGE_BRUSH	3115.00 115KV CKT 1
FDNS	00G14_012		0	2OSP	G14_012	FROM->TO	National Enrichment Plant Sub - TARGA	3115.00	115KV	CKT 1	120	0.0626	121.5794	LIVSTNRIDGE3115.00 - SAGE_BRUSH	3115.00 115KV CKT 1
FDNS	0		0	2OSP	G14_012	FROM->TO	National Enrichment Plant Sub - TARGA	3115.00	115KV	CKT 1	120	0.07727	120.6334	ANDREWS 6230.00 (FROM MIDLAND) 230/115/13.2KV TRANSFORMER	CKT 1
FDNS	00G14_012		0	2OSP	G14_012	FROM->TO	National Enrichment Plant Sub - TARGA	3115.00	115KV	CKT 1	120	0.07727	120.6314	ANDREWS 6230.00 (FROM MIDLAND) 230/115/13.2KV TRANSFORMER	CKT 1
FDNS	0		0	2OSP	G14_012	FROM->TO	National Enrichment Plant Sub - TARGA	3115.00	115KV	CKT 1	120	0.07716	120.5371	ANDREWS 6230.00 (FROM BORDEN) 230/115/13.2KV TRANSFORMER	CKT 2
FDNS	00G14_012		0	2OSP	G14_012	FROM->TO	National Enrichment Plant Sub - TARGA	3115.00	115KV	CKT 1	120	0.07716	120.535	ANDREWS 6230.00 (FROM BORDEN) 230/115/13.2KV TRANSFORMER	CKT 2
FDNS	0		0	2OWP	G14_012	FROM->TO	National Enrichment Plant Sub - TARGA	3115.00	115KV	CKT 1	139	0.07788	120.4352	AGAVE_RHILL3115.00 - RDRUNNER	3115.00 115KV CKT 1
FDNS	00G14_012		0	2OWP	G14_012	FROM->TO	National Enrichment Plant Sub - TARGA	3115.00	115KV	CKT 1	139	0.07788	120.4329	AGAVE_RHILL3115.00 - RDRUNNER	3115.00 115KV CKT 1
FDNS	0		0	2OSP	G14_012	FROM->TO	National Enrichment Plant Sub - TARGA	3115.00	115KV	CKT 1	120	0.09019	119.3317	GEN562495 1-G14_012_2	18.000
FDNS	00G14_012		0	2OSP	G14_012	FROM->TO	National Enrichment Plant Sub - TARGA	3115.00	115KV	CKT 1	120	0.09019	119.3303	GEN562495 1-G14_012_2	18.000

SOLUTION	GROUP	SCENARIO	SEASON	SOURCE	DIRECTION	MONITORED ELEMENT	RATEB (MVA)	TDF	TC%LOADING (% MVA)	CONTINGENCY
FDNS	0	0	20WP	G14_012	FROM->TO	National Enrichment Plant Sub - TARGA 3115.00 115KV CKT 1	139	0.09456	119.0272	CUNNINGHAM STATION - POTASH JUNCTION INTERCHANGE 230KV CKT 1
FDNS	00G14_012	0	20WP	G14_012	FROM->TO	National Enrichment Plant Sub - TARGA 3115.00 115KV CKT 1	139	0.09456	119.0223	CUNNINGHAM STATION - POTASH JUNCTION INTERCHANGE 230KV CKT 1
FDNS	0	0	20WP	G14_012	FROM->TO	National Enrichment Plant Sub - TARGA 3115.00 115KV CKT 1	139	0.09019	118.2468	KIOWA 7345.00 - NLOV_PLT 7345.00 345KV CKT 1
FDNS	00G14_012	0	20WP	G14_012	FROM->TO	National Enrichment Plant Sub - TARGA 3115.00 115KV CKT 1	139	0.09019	118.2428	KIOWA 7345.00 - NLOV_PLT 7345.00 345KV CKT 1
FDNS	0	0	20WP	G14_012	FROM->TO	National Enrichment Plant Sub - TARGA 3115.00 115KV CKT 1	139	0.09017	117.8649	POTASH JUNCTION INTERCHANGE (UPDATE LATER) 230/115/13.2KV TRANSFORMER CKT 1
FDNS	00G14_012	0	20WP	G14_012	FROM->TO	National Enrichment Plant Sub - TARGA 3115.00 115KV CKT 1	139	0.09017	117.8616	POTASH JUNCTION INTERCHANGE (UPDATE LATER) 230/115/13.2KV TRANSFORMER CKT 1
FDNS	0	0	20WP	G14_012	FROM->TO	National Enrichment Plant Sub - TARGA 3115.00 115KV CKT 1	139	0.08038	117.6172	HOBBS - YOAKUM_345 345.00 345KV CKT 1
FDNS	00G14_012	0	20WP	G14_012	FROM->TO	National Enrichment Plant Sub - TARGA 3115.00 115KV CKT 1	139	0.08038	117.6136	HOBBS - YOAKUM_345 345.00 345KV CKT 1
FDNS	0	0	20WP	G14_012	FROM->TO	National Enrichment Plant Sub - TARGA 3115.00 115KV CKT 1	139	0.09002	116.4816	CHINA_DRAW 7345.00 - NLOV_PLT 7345.00 345KV CKT 1
FDNS	00G14_012	0	20WP	G14_012	FROM->TO	National Enrichment Plant Sub - TARGA 3115.00 115KV CKT 1	139	0.09002	116.4778	CHINA_DRAW 7345.00 - NLOV_PLT 7345.00 345KV CKT 1
FDNS	0	0	20WP	G14_012	FROM->TO	National Enrichment Plant Sub - TARGA 3115.00 115KV CKT 1	139	0.09002	116.0397	CHINA_DRAW 7345.00 (UPDATE LATER) 345/115/13.2KV TRANSFORMER CKT 1
FDNS	00G14_012	0	20WP	G14_012	FROM->TO	National Enrichment Plant Sub - TARGA 3115.00 115KV CKT 1	139	0.09002	116.0358	CHINA_DRAW 7345.00 (UPDATE LATER) 345/115/13.2KV TRANSFORMER CKT 1
FDNS	0	0	20WP	G14_012	FROM->TO	National Enrichment Plant Sub - TARGA 3115.00 115KV CKT 1	139	0.08936	115.5828	CHINA_DRAW 3115.00 - WOOD_DRAW 3115.00 115KV CKT 1
FDNS	00G14_012	0	20WP	G14_012	FROM->TO	National Enrichment Plant Sub - TARGA 3115.00 115KV CKT 1	139	0.08936	115.579	CHINA_DRAW 3115.00 - WOOD_DRAW 3115.00 115KV CKT 1
FDNS	0	0	20WP	G14_012	FROM->TO	National Enrichment Plant Sub - TARGA 3115.00 115KV CKT 1	139	0.09061	113.8367	MADDOX STATION - PEARL SUB 115KV CKT 1
FDNS	00G14_012	0	20WP	G14_012	FROM->TO	National Enrichment Plant Sub - TARGA 3115.00 115KV CKT 1	139	0.09061	113.8326	MADDOX STATION - PEARL SUB 115KV CKT 1
FDNS	0	0	20WP	G14_012	FROM->TO	National Enrichment Plant Sub - TARGA 3115.00 115KV CKT 1	139	0.0916	113.7751	PCA INTERCHANGE - QUAHADA 3115.00 115KV CKT 1
FDNS	00G14_012	0	20WP	G14_012	FROM->TO	National Enrichment Plant Sub - TARGA 3115.00 115KV CKT 1	139	0.0916	113.7704	PCA INTERCHANGE - QUAHADA 3115.00 115KV CKT 1
FDNS	0	0	20WP	G14_012	FROM->TO	National Enrichment Plant Sub - TARGA 3115.00 115KV CKT 1	139	0.09021	111.3768	BASE CASE
FDNS	0	0	20WP	G14_012	FROM->TO	National Enrichment Plant Sub - TARGA 3115.00 115KV CKT 1	139	0.09021	111.3768	BASE CASE
FDNS	00G14_012	0	20WP	G14_012	FROM->TO	National Enrichment Plant Sub - TARGA 3115.00 115KV CKT 1	139	0.09021	111.3729	BASE CASE
FDNS	00G14_012	0	20WP	G14_012	FROM->TO	National Enrichment Plant Sub - TARGA 3115.00 115KV CKT 1	139	0.09021	111.3729	BASE CASE
FDNS	0	0	20SP	G14_012	FROM->TO	National Enrichment Plant Sub - TARGA 3115.00 115KV CKT 1	120	0.07787	111.2994	OCHOA SUB - PNDEROSATP 3115.00 115KV CKT 1
FDNS	00G14_012	0	20SP	G14_012	FROM->TO	National Enrichment Plant Sub - TARGA 3115.00 115KV CKT 1	120	0.07787	111.2985	OCHOA SUB - PNDEROSATP 3115.00 115KV CKT 1
FDNS	0	0	20SP	G14_012	FROM->TO	National Enrichment Plant Sub - TARGA 3115.00 115KV CKT 1	120	0.05312	110.3714	JAL SUB - WHITTEN SUB 115KV CKT 1
FDNS	00G14_012	0	20SP	G14_012	FROM->TO	National Enrichment Plant Sub - TARGA 3115.00 115KV CKT 1	120	0.05312	110.3697	JAL SUB - WHITTEN SUB 115KV CKT 1
FDNS	0	0	20WP	G14_012	FROM->TO	National Enrichment Plant Sub - TARGA 3115.00 115KV CKT 1	139	0.08934	109.0985	SAND DUNES SUB - WIPP SUB 115KV CKT 1
FDNS	0	0	20WP	G14_012	FROM->TO	National Enrichment Plant Sub - TARGA 3115.00 115KV CKT 1	139	0.09021	109.0983	GEN527903 1-HOBBS PLANT #3 (ST)
FDNS	00G14_012	0	20WP	G14_012	FROM->TO	National Enrichment Plant Sub - TARGA 3115.00 115KV CKT 1	139	0.09021	109.0948	GEN527903 1-HOBBS PLANT #3 (ST)
FDNS	00G14_012	0	20WP	G14_012	FROM->TO	National Enrichment Plant Sub - TARGA 3115.00 115KV CKT 1	139	0.08934	109.0946	SAND DUNES SUB - WIPP SUB 115KV CKT 1
FDNS	0	0	20WP	G14_012	FROM->TO	National Enrichment Plant Sub - TARGA 3115.00 115KV CKT 1	139	0.08934	108.6976	LIVSTNRIDGE3115.00 - WIPP SUB 115KV CKT 1
FDNS	00G14_012	0	20WP	G14_012	FROM->TO	National Enrichment Plant Sub - TARGA 3115.00 115KV CKT 1	139	0.08934	108.6937	LIVSTNRIDGE3115.00 - WIPP SUB 115KV CKT 1
FDNS	0	0	20WP	G14_012	FROM->TO	National Enrichment Plant Sub - TARGA 3115.00 115KV CKT 1	139	0.09456	108.1508	SPP-SWPS-T42
FDNS	00G14_012	0	20WP	G14_012	FROM->TO	National Enrichment Plant Sub - TARGA 3115.00 115KV CKT 1	139	0.09456	108.1467	SPP-SWPS-T42
FDNS	0	0	20WP	G14_012	FROM->TO	National Enrichment Plant Sub - TARGA 3115.00 115KV CKT 1	139	0.09456	108.1135	MONUMENT SUB - WEST HOBBS SWITCHING STATION 115KV CKT 1
FDNS	00G14_012	0	20WP	G14_012	FROM->TO	National Enrichment Plant Sub - TARGA 3115.00 115KV CKT 1	139	0.09456	108.1095	MONUMENT SUB - WEST HOBBS SWITCHING STATION 115KV CKT 1
FDNS	0	0	20WP	G14_012	FROM->TO	National Enrichment Plant Sub - TARGA 3115.00 115KV CKT 1	139	0.11779	107.7467	DRINKARD TAP - WEST HOBBS SWITCHING STATION 115KV CKT 1
FDNS	00G14_012	0	20WP	G14_012	FROM->TO	National Enrichment Plant Sub - TARGA 3115.00 115KV CKT 1	139	0.11779	107.7449	DRINKARD TAP - WEST HOBBS SWITCHING STATION 115KV CKT 1
FDNS	0	0	20WP	G14_012	FROM->TO	National Enrichment Plant Sub - TARGA 3115.00 115KV CKT 1	139	0.09456	107.575	MADDOX STATION - MONUMENT SUB 115KV CKT 1
FDNS	00G14_012	0	20WP	G14_012	FROM->TO	National Enrichment Plant Sub - TARGA 3115.00 115KV CKT 1	139	0.09456	107.5709	MADDOX STATION - MONUMENT SUB 115KV CKT 1
FDNS	0	0	20SP	G14_012	FROM->TO	National Enrichment Plant Sub - TARGA 3115.00 115KV CKT 1	120	0.0626	107.1332	LAGARTO 3115.00 - SAGE_BRUSH 3115.00 115KV CKT 1
FDNS	00G14_012	0	20SP	G14_012	FROM->TO	National Enrichment Plant Sub - TARGA 3115.00 115KV CKT 1	120	0.0626	107.1325	LAGARTO 3115.00 - SAGE_BRUSH 3115.00 115KV CKT 1
FDNS	0	0	20WP	G14_012	FROM->TO	National Enrichment Plant Sub - TARGA 3115.00 115KV CKT 1	139	0.09021	105.9188	PNDEROSATP 3115.00 - PONDEROSA 3115.00 115KV CKT 1
FDNS	00G14_012	0	20WP	G14_012	FROM->TO	National Enrichment Plant Sub - TARGA 3115.00 115KV CKT 1	139	0.09021	105.9149	PNDEROSATP 3115.00 - PONDEROSA 3115.00 115KV CKT 1
FDNS	0	0	20WP	G14_012	FROM->TO	National Enrichment Plant Sub - TARGA 3115.00 115KV CKT 1	139	0.07788	104.7968	AGAVE_RHILL3115.00 - OCHOA SUB 115KV CKT 1
FDNS	00G14_012	0	20WP	G14_012	FROM->TO	National Enrichment Plant Sub - TARGA 3115.00 115KV CKT 1	139	0.07788	104.7945	AGAVE_RHILL3115.00 - OCHOA SUB 115KV CKT 1
FDNS	0	0	20SP	G14_012	FROM->TO	National Enrichment Plant Sub - TARGA 3115.00 115KV CKT 1	120	0.07787	104.3558	PNDEROSATP 3115.00 - WHITTEN SUB 115KV CKT 1
FDNS	00G14_012	0	20SP	G14_012	FROM->TO	National Enrichment Plant Sub - TARGA 3115.00 115KV CKT 1	120	0.07787	104.355	PNDEROSATP 3115.00 - WHITTEN SUB 115KV CKT 1
FDNS	0	0	20WP	G14_012	FROM->TO	National Enrichment Plant Sub - TARGA 3115.00 115KV CKT 1	139	0.0626	104.216	LIVSTNRIDGE3115.00 - SAGE_BRUSH 3115.00 115KV CKT 1
FDNS	00G14_012	0	20WP	G14_012	FROM->TO	National Enrichment Plant Sub - TARGA 3115.00 115KV CKT 1	139	0.0626	104.2142	LIVSTNRIDGE3115.00 - SAGE_BRUSH 3115.00 115KV CKT 1
FDNS	0	0	20WP	G14_012	FROM->TO	National Enrichment Plant Sub - TARGA 3115.00 115KV CKT 1	139	0.09021	104.09	DOLLARHIDE SUB - TOBOSOFATS3115.00 115KV CKT 1
FDNS	00G14_012	0	20WP	G14_012	FROM->TO	National Enrichment Plant Sub - TARGA 3115.00 115KV CKT 1	139	0.09021	104.086	DOLLARHIDE SUB - TOBOSOFATS3115.00 115KV CKT 1
FDNS	0	0	20WP	G14_012	FROM->TO	National Enrichment Plant Sub - TARGA 3115.00 115KV CKT 1	139	0.0773	101.5353	ANDREWS 6230.00 (FROM MIDLAND) 230/115/13.2KV TRANSFORMER CKT 1
FDNS	00G14_012	0	20WP	G14_012	FROM->TO	National Enrichment Plant Sub - TARGA 3115.00 115KV CKT 1	139	0.0773	101.5312	ANDREWS 6230.00 (FROM MIDLAND) 230/115/13.2KV TRANSFORMER CKT 1
FDNS	0	0	20WP	G14_012	FROM->TO	National Enrichment Plant Sub - TARGA 3115.00 115KV CKT 1	139	0.07719	101.4528	ANDREWS 6230.00 (FROM BORDEN) 230/115/13.2KV TRANSFORMER CKT 2
FDNS	00G14_012	0	20WP	G14_012	FROM->TO	National Enrichment Plant Sub - TARGA 3115.00 115KV CKT 1	139	0.07719	101.4487	ANDREWS 6230.00 (FROM BORDEN) 230/115/13.2KV TRANSFORMER CKT 2
FDNS	0	0	20SP	G14_012	TO->FROM	National Enrichment Plant Tap - TARGA 3115.00 115KV CKT 1	120	0.08346	173.8768	KIOWA 7345.00 - RDRUNNER 7345.00 345KV CKT 1
FDNS	00G14_012	0	20SP	G14_012	TO->FROM	National Enrichment Plant Tap - TARGA 3115.00 115KV CKT 1	120	0.08346	173.8767	KIOWA 7345.00 - RDRUNNER 7345.00 345KV CKT 1

SOLUTION	GROUP	SCENARIO	SEASON	SOURCE	DIRECTION	MONITORED ELEMENT	RATEB (MVA)	TDF	TC%LOADING (% MVA)	CONTINGENCY
FDNS	0		0	25SP	G14_012	TO->FROM National Enrichment Plant Tap - TARGA 3115.00 115KV CKT 1	120	0.08964	173.1409	EDDY_STH 3115.00 - PECOS INTERCHANGE 115KV CKT 1
FDNS-CHECK-TC-Blown Up	0		0	25SP	G14_012	TO->FROM National Enrichment Plant Tap - TARGA 3115.00 115KV CKT 1	120	0.09021	172.1	CARLSBAD INTERCHANGE 115KV SWITCHED SHUNT
FDNS	00G14_012		0	25SP	G14_012	TO->FROM National Enrichment Plant Tap - TARGA 3115.00 115KV CKT 1	120	0.08982	171.3943	CENTRAL VALLEY REC-AZOTEA MESA (CONE BUTTE) - PECOS INTERCHANGE 115KV CKT 1
FDNS	00G14_012		0	20SP	G14_012	TO->FROM National Enrichment Plant Tap - TARGA 3115.00 115KV CKT 1	120	0.08346	171.1875	RDRUNNER 7345.00 (UPDATE LATER) 345/115/13.2KV TRANSFORMER CKT 1
FDNS	0		0	20SP	G14_012	TO->FROM National Enrichment Plant Tap - TARGA 3115.00 115KV CKT 1	120	0.08346	171.1866	RDRUNNER 7345.00 (UPDATE LATER) 345/115/13.2KV TRANSFORMER CKT 1
FDNS	0		0	25SP	G14_012	TO->FROM National Enrichment Plant Tap - TARGA 3115.00 115KV CKT 1	120	0.09021	170.3251	POTASH JUNCTION INTERCHANGE (DS F78600413) 115/69/13.2KV TRANSFORMER CKT 2
FDNS	0		0	25SP	G14_012	TO->FROM National Enrichment Plant Tap - TARGA 3115.00 115KV CKT 1	120	0.09025	170.2752	MUSTANG STATION - YOAKUM COUNTY INTERCHANGE 230KV CKT 1
FDNS	00G14_012		0	25SP	G14_012	TO->FROM National Enrichment Plant Tap - TARGA 3115.00 115KV CKT 1	120	0.09017	170.1626	CENTRAL VALLEY REC-DAYTON - EDDY_STH 3115.00 115KV CKT 1
FDNS	00G14_012		0	25SP	G14_012	TO->FROM National Enrichment Plant Tap - TARGA 3115.00 115KV CKT 1	120	0.0902	170.1599	FINNEY SWITCHING STATION - Hitchland Interchange 345KV CKT 1
FDNS	0		0	25SP	G14_012	TO->FROM National Enrichment Plant Tap - TARGA 3115.00 115KV CKT 1	120	0.09026	170.0838	AMOCO WASSON SWITCHING STATION - OXYBRU_TP 6230.00 230KV CKT 1
FDNS	0		0	25SP	G14_012	TO->FROM National Enrichment Plant Tap - TARGA 3115.00 115KV CKT 1	120	0.09026	170.0489	OXYBRU_TP 6230.00 - YOAKUM COUNTY INTERCHANGE 230KV CKT 1
FDNS	00G14_012		0	25SP	G14_012	TO->FROM National Enrichment Plant Tap - TARGA 3115.00 115KV CKT 1	120	0.0902	169.8586	POTTER COUNTY INTERCHANGE (WAUK 90343-A) 345/230/13.2KV TRANSFORMER CKT 1
FDNS	0		0	25SP	G14_012	TO->FROM National Enrichment Plant Tap - TARGA 3115.00 115KV CKT 1	120	0.09021	169.5175	DRINKARD SUB 115KV SWITCHED SHUNT
FDNSLock	0		0	25SP	G14_012	TO->FROM National Enrichment Plant Tap - TARGA 3115.00 115KV CKT 1	120	0.09021	169.5175	DRINKARD SUB 115KV SWITCHED SHUNT
FDNS	00G14_012		0	25SP	G14_012	TO->FROM National Enrichment Plant Tap - TARGA 3115.00 115KV CKT 1	120	0.0902	169.2626	SPSCONT-02
FDNS	00G14_012		0	25SP	G14_012	TO->FROM National Enrichment Plant Tap - TARGA 3115.00 115KV CKT 1	120	0.0902	169.2576	SPP-SWPS-04
FDNS	00G14_012		0	25SP	G14_012	TO->FROM National Enrichment Plant Tap - TARGA 3115.00 115KV CKT 1	120	0.0902	169.2369	Hitchland Interchange - POTTER COUNTY INTERCHANGE 345KV CKT 1
FDNS	00G14_012		0	25SP	G14_012	TO->FROM National Enrichment Plant Tap - TARGA 3115.00 115KV CKT 1	120	0.0902	168.9158	COCHRAN INTERCHANGE 115KV SWITCHED SHUNT
FDNSLock	00G14_012		0	25SP	G14_012	TO->FROM National Enrichment Plant Tap - TARGA 3115.00 115KV CKT 1	120	0.0902	168.9158	COCHRAN INTERCHANGE 115KV SWITCHED SHUNT
FDNS	0		0	25SP	G14_012	TO->FROM National Enrichment Plant Tap - TARGA 3115.00 115KV CKT 1	120	0.09066	168.8721	PECOS INTERCHANGE - POTASH JUNCTION INTERCHANGE 230KV CKT 1
FDNS	0		0	25SP	G14_012	TO->FROM National Enrichment Plant Tap - TARGA 3115.00 115KV CKT 1	120	0.09021	168.6936	EAGLE CREEK 115KV SWITCHED SHUNT
FDNSLock	0		0	25SP	G14_012	TO->FROM National Enrichment Plant Tap - TARGA 3115.00 115KV CKT 1	120	0.09021	168.6936	EAGLE CREEK 115KV SWITCHED SHUNT
FDNS	0		0	25SP	G14_012	TO->FROM National Enrichment Plant Tap - TARGA 3115.00 115KV CKT 1	120	0.09003	168.6754	CHAVES COUNTY INTERCHANGE - EDDY_NORTH 6230.00 230KV CKT 1
FDNS	0		0	25SP	G14_012	TO->FROM National Enrichment Plant Tap - TARGA 3115.00 115KV CKT 1	120	0.09021	168.657	EDDY COUNTY INTERCHANGE 115KV SWITCHED SHUNT
FDNSLock	0		0	25SP	G14_012	TO->FROM National Enrichment Plant Tap - TARGA 3115.00 115KV CKT 1	120	0.09021	168.657	EDDY COUNTY INTERCHANGE 115KV SWITCHED SHUNT
FDNS	0		0	25SP	G14_012	TO->FROM National Enrichment Plant Tap - TARGA 3115.00 115KV CKT 1	120	0.09021	168.6146	ROSWELL INTERCHANGE 69KV SWITCHED SHUNT
FDNSLock	0		0	25SP	G14_012	TO->FROM National Enrichment Plant Tap - TARGA 3115.00 115KV CKT 1	120	0.09021	168.6146	ROSWELL INTERCHANGE 69KV SWITCHED SHUNT
FDNS	00G14_012		0	25SP	G14_012	TO->FROM National Enrichment Plant Tap - TARGA 3115.00 115KV CKT 1	120	0.09028	168.2928	HOCKLEY COUNTY INTERCHANGE - LAMB COUNTY INTERCHANGE 115KV CKT 1
FDNS	00G14_012		0	25SP	G14_012	TO->FROM National Enrichment Plant Tap - TARGA 3115.00 115KV CKT 1	120	0.0902	168.2721	DEXTER INTERCHANGE 69KV SWITCHED SHUNT
FDNSLock	00G14_012		0	25SP	G14_012	TO->FROM National Enrichment Plant Tap - TARGA 3115.00 115KV CKT 1	120	0.0902	168.2721	DEXTER INTERCHANGE 69KV SWITCHED SHUNT
FDNS	0		0	25SP	G14_012	TO->FROM National Enrichment Plant Tap - TARGA 3115.00 115KV CKT 1	120	0.09021	168.2558	ARTESIA INTERCHANGE 69KV SWITCHED SHUNT
FDNSLock	0		0	25SP	G14_012	TO->FROM National Enrichment Plant Tap - TARGA 3115.00 115KV CKT 1	120	0.09021	168.2558	ARTESIA INTERCHANGE 69KV SWITCHED SHUNT
FDNS	00G14_012		0	25SP	G14_012	TO->FROM National Enrichment Plant Tap - TARGA 3115.00 115KV CKT 1	120	0.09022	168.2542	WOLFFORTH INTERCHANGE (WH 7001668) 230/115/13.2KV TRANSFORMER CKT 1
FDNS	0		0	25SP	G14_012	TO->FROM National Enrichment Plant Tap - TARGA 3115.00 115KV CKT 1	120	0.08984	168.1169	CENTRAL VALLEY REC-AZOTEA MESA (CONE BUTTE) - SEVEN RIVERS INTERCHANGE 115KV CKT 1
FDNS	00G14_012		0	25SP	G14_012	TO->FROM National Enrichment Plant Tap - TARGA 3115.00 115KV CKT 1	120	0.0902	168.0787	SUNDOWN INTERCHANGE 115KV SWITCHED SHUNT
FDNSLock	00G14_012		0	25SP	G14_012	TO->FROM National Enrichment Plant Tap - TARGA 3115.00 115KV CKT 1	120	0.0902	168.0787	SUNDOWN INTERCHANGE 115KV SWITCHED SHUNT
FDNS	00G14_012		0	25SP	G14_012	TO->FROM National Enrichment Plant Tap - TARGA 3115.00 115KV CKT 1	120	0.09028	167.9197	COCHRAN INTERCHANGE - PACIFIC SUB 115KV CKT 1
FDNS	0		0	25SP	G14_012	TO->FROM National Enrichment Plant Tap - TARGA 3115.00 115KV CKT 1	120	0.0906	167.3649	ENRON TAP - PEARL SUB 115KV CKT 1
FDNS	0		0	25SP	G14_012	TO->FROM National Enrichment Plant Tap - TARGA 3115.00 115KV CKT 1	120	0.09026	167.1627	SUNDOWN INTERCHANGE (WH XDS70381) 230/115/13.8KV TRANSFORMER CKT 1
FDNS	0		0	25SP	G14_012	TO->FROM National Enrichment Plant Tap - TARGA 3115.00 115KV CKT 1	120	0.09021	166.9827	POTASH JUNCTION INTERCHANGE (LIKE LBBKSTH) 115/69/13.2KV TRANSFORMER CKT 1
FDNS	0		0	25SP	G14_012	TO->FROM National Enrichment Plant Tap - TARGA 3115.00 115KV CKT 1	120	0.09021	166.5751	CHAVES COUNTY INTERCHANGE (LIKE POTTER) 230/115/13.2KV TRANSFORMER CKT 2
FDNS	0		0	25SP	G14_012	TO->FROM National Enrichment Plant Tap - TARGA 3115.00 115KV CKT 1	120	0.09021	166.5683	CHAVES COUNTY INTERCHANGE (ABB 801429) 230/115/13.2KV TRANSFORMER CKT 1
FDNS	0		0	25SP	G14_012	TO->FROM National Enrichment Plant Tap - TARGA 3115.00 115KV CKT 1	120	0.09029	166.4403	PACIFIC SUB - SUNDOWN INTERCHANGE 115KV CKT 1
FDNS	0		0	25SP	G14_012	TO->FROM National Enrichment Plant Tap - TARGA 3115.00 115KV CKT 1	120	0.09046	166.2526	SUNDOWN INTERCHANGE - WOLFFORTH INTERCHANGE 230KV CKT 1
FDNS	0		0	25SP	G14_012	TO->FROM National Enrichment Plant Tap - TARGA 3115.00 115KV CKT 1	120	0.09015	166.2281	CHINA_DRAW 3115.00 - NORTH_LOVNG3115.00 115KV CKT 1
FDNS	0		0	25SP	G14_012	TO->FROM National Enrichment Plant Tap - TARGA 3115.00 115KV CKT 1	120	0.09021	166.1722	LAMB COUNTY INTERCHANGE - TOLK STATION WEST 230KV CKT 1
FDNS	0		0	25SP	G14_012	TO->FROM National Enrichment Plant Tap - TARGA 3115.00 115KV CKT 1	120	0.09021	166.1361	SPP-SWPS-K37
FDNS	0		0	25SP	G14_012	TO->FROM National Enrichment Plant Tap - TARGA 3115.00 115KV CKT 1	120	0.09021	166.1326	LAMB COUNTY INTERCHANGE (WH ALM20172) 230/115/13.2KV TRANSFORMER CKT 1
FDNS	0		0	25SP	G14_012	TO->FROM National Enrichment Plant Tap - TARGA 3115.00 115KV CKT 1	120	0.08999	165.9949	HOPI_SUB 3115.00 - PECOS INTERCHANGE 115KV CKT 1
FDNS	0		0	25SP	G14_012	TO->FROM National Enrichment Plant Tap - TARGA 3115.00 115KV CKT 1	120	0.08984	165.9537	CENTRAL VALLEY REC-AZOTEA MESA (CONE BUTTE) - PECOS INTERCHANGE 115KV CKT 1
FDNS	0		0	25SP	G14_012	TO->FROM National Enrichment Plant Tap - TARGA 3115.00 115KV CKT 1	120	0.09042	165.6982	GAINES COUNTY INTERCHANGE - SEMINOLE 115KV CKT 1
FDNS	00G14_012		0	25SP	G14_012	TO->FROM National Enrichment Plant Tap - TARGA 3115.00 115KV CKT 1	120	0.0902	164.0026	BASE CASE
FDNS	00G14_012		0	25SP	G14_012	TO->FROM National Enrichment Plant Tap - TARGA 3115.00 115KV CKT 1	120	0.0902	164.0026	BASE CASE
FDNS	0		0	25SP	G14_012	TO->FROM National Enrichment Plant Tap - TARGA 3115.00 115KV CKT 1	120	0.09021	160.9328	BASE CASE

SOLUTION	GROUP	SCENARIO	SEASON	SOURCE	DIRECTION	MONITORED ELEMENT	RATEB (MVA)	TDF	TC%LOADING (% MVA)	CONTINGENCY
FDNS	0	0	25SP	G14_012	TO->FROM	National Enrichment Plant Tap - TARGA 3115.00 115KV CKT 1	120	0.09021	160.9328	BASE CASE
FDNS	00G14_012	0	25SP	G14_012	TO->FROM	National Enrichment Plant Tap - TARGA 3115.00 115KV CKT 1	120	0.09456	158.242	SPP-SWPS-T42
FDNS	0	0	25SP	G14_012	TO->FROM	National Enrichment Plant Tap - TARGA 3115.00 115KV CKT 1	120	0.09457	157.8193	MADDOX STATION - MONUMENT SUB 115KV CKT 1
FDNS	0	0	20SP	G14_012	TO->FROM	National Enrichment Plant Tap - TARGA 3115.00 115KV CKT 1	120	0.08392	157.6321	BYRD SUB - MONUMENT TAP 115KV CKT 1
FDNS	00G14_012	0	20SP	G14_012	TO->FROM	National Enrichment Plant Tap - TARGA 3115.00 115KV CKT 1	120	0.08392	157.629	BYRD SUB - MONUMENT TAP 115KV CKT 1
FDNS	0	0	20SP	G14_012	TO->FROM	National Enrichment Plant Tap - TARGA 3115.00 115KV CKT 1	120	0.08392	157.5957	CUNNINGHAM STATION - MONUMENT TAP 115KV CKT 1
FDNS	00G14_012	0	20SP	G14_012	TO->FROM	National Enrichment Plant Tap - TARGA 3115.00 115KV CKT 1	120	0.08392	157.5927	CUNNINGHAM STATION - MONUMENT TAP 115KV CKT 1
FDNS	0	0	25SP	G14_012	TO->FROM	National Enrichment Plant Tap - TARGA 3115.00 115KV CKT 1	120	0.09457	157.3754	MONUMENT SUB - WEST HOBBS SWITCHING STATION 115KV CKT 1
FDNS	00G14_012	0	25SP	G14_012	TO->FROM	National Enrichment Plant Tap - TARGA 3115.00 115KV CKT 1	120	0.07789	156.4737	AGAVE_RHILL3115.00 - OCHOA SUB 115KV CKT 1
FDNS	0	0	25SP	G14_012	TO->FROM	National Enrichment Plant Tap - TARGA 3115.00 115KV CKT 1	120	0.09457	155.5412	SPP-SWPS-T42
FDNS	0	0	20SP	G14_012	TO->FROM	National Enrichment Plant Tap - TARGA 3115.00 115KV CKT 1	120	0.08201	155.3727	INTREPDW_TP3115.00 - POTASH JUNCTION INTERCHANGE 115KV CKT 1
FDNS	00G14_012	0	20SP	G14_012	TO->FROM	National Enrichment Plant Tap - TARGA 3115.00 115KV CKT 1	120	0.08201	155.3727	INTREPDW_TP3115.00 - POTASH JUNCTION INTERCHANGE 115KV CKT 1
FDNS	00G14_012	0	25SP	G14_012	TO->FROM	National Enrichment Plant Tap - TARGA 3115.00 115KV CKT 1	120	0.06261	155.2361	LIVSTNRIDGE3115.00 - SAGE_BRUSH 3115.00 115KV CKT 1
FDNS	00G14_012	0	25SP	G14_012	TO->FROM	National Enrichment Plant Tap - TARGA 3115.00 115KV CKT 1	120	0.09021	155.2152	CHINA_DRAW 3115.00 - YESO_HILLS 3115.00 115KV CKT 1
FDNS	0	0	25SP	G14_012	TO->FROM	National Enrichment Plant Tap - TARGA 3115.00 115KV CKT 1	120	0.09021	153.8569	SPP-SWPS-W22
FDNS	0	0	25SP	G14_012	TO->FROM	National Enrichment Plant Tap - TARGA 3115.00 115KV CKT 1	120	0.07788	153.8481	AGAVE_RHILL3115.00 - OCHOA SUB 115KV CKT 1
FDNS	0	0	25SP	G14_012	TO->FROM	National Enrichment Plant Tap - TARGA 3115.00 115KV CKT 1	120	0.0626	152.2956	LIVSTNRIDGE3115.00 - SAGE_BRUSH 3115.00 115KV CKT 1
FDNS	0	0	25SP	G14_012	TO->FROM	National Enrichment Plant Tap - TARGA 3115.00 115KV CKT 1	120	0.09021	151.4346	CHINA_DRAW 3115.00 - YESO_HILLS 3115.00 115KV CKT 1
FDNS	0	0	20SP	G14_012	TO->FROM	National Enrichment Plant Tap - TARGA 3115.00 115KV CKT 1	120	0.08392	149.5975	BYRD SUB - COOPER RANCH SUB 115KV CKT 1
FDNS	00G14_012	0	20SP	G14_012	TO->FROM	National Enrichment Plant Tap - TARGA 3115.00 115KV CKT 1	120	0.08392	149.595	BYRD SUB - COOPER RANCH SUB 115KV CKT 1
FDNS	0	0	20SP	G14_012	TO->FROM	National Enrichment Plant Tap - TARGA 3115.00 115KV CKT 1	120	0.08392	148.2823	COOPER RANCH SUB - OIL_CENTER 3115.00 115KV CKT 1
FDNS	00G14_012	0	20SP	G14_012	TO->FROM	National Enrichment Plant Tap - TARGA 3115.00 115KV CKT 1	120	0.08392	148.2784	COOPER RANCH SUB - OIL_CENTER 3115.00 115KV CKT 1
FDNS	00G14_012	0	25SP	G14_012	TO->FROM	National Enrichment Plant Tap - TARGA 3115.00 115KV CKT 1	120	0.09021	147.8359	PNDEROSATP 3115.00 - PONDEROSA 3115.00 115KV CKT 1
FDNS	0	0	20SP	G14_012	TO->FROM	National Enrichment Plant Tap - TARGA 3115.00 115KV CKT 1	120	0.08392	147.6533	LEA ROAD SUB - OIL_CENTER 3115.00 115KV CKT 1
FDNS	00G14_012	0	20SP	G14_012	TO->FROM	National Enrichment Plant Tap - TARGA 3115.00 115KV CKT 1	120	0.08392	147.6499	LEA ROAD SUB - OIL_CENTER 3115.00 115KV CKT 1
FDNS	0	0	20SP	G14_012	TO->FROM	National Enrichment Plant Tap - TARGA 3115.00 115KV CKT 1	120	0.08201	146.1029	IMC_#1_TP 3115.00 - INTREPDW_TP3115.00 115KV CKT 1
FDNS	00G14_012	0	20SP	G14_012	TO->FROM	National Enrichment Plant Tap - TARGA 3115.00 115KV CKT 1	120	0.08201	146.0973	IMC_#1_TP 3115.00 - INTREPDW_TP3115.00 115KV CKT 1
FDNS	00G14_012	0	25SP	G14_012	TO->FROM	National Enrichment Plant Tap - TARGA 3115.00 115KV CKT 1	120	0.09021	145.6165	DOLLARHIDE SUB - TOBOSOFATS3115.00 115KV CKT 1
FDNS	0	0	25SP	G14_012	TO->FROM	National Enrichment Plant Tap - TARGA 3115.00 115KV CKT 1	120	0.09021	144.7082	PNDEROSATP 3115.00 - PONDEROSA 3115.00 115KV CKT 1
FDNS	0	0	20WP	G14_012	TO->FROM	National Enrichment Plant Tap - TARGA 3115.00 115KV CKT 1	139	0.08348	142.9769	KIOWA 7345.00 - RDRUNNER 7345.00 345KV CKT 1
FDNS	00G14_012	0	20WP	G14_012	TO->FROM	National Enrichment Plant Tap - TARGA 3115.00 115KV CKT 1	139	0.08348	142.9739	KIOWA 7345.00 - RDRUNNER 7345.00 345KV CKT 1
FDNS	0	0	20SP	G14_012	TO->FROM	National Enrichment Plant Tap - TARGA 3115.00 115KV CKT 1	120	0.08392	142.844	LEA ROAD SUB - WARD SUB 115KV CKT 1
FDNS	00G14_012	0	20SP	G14_012	TO->FROM	National Enrichment Plant Tap - TARGA 3115.00 115KV CKT 1	120	0.08392	142.8413	LEA ROAD SUB - WARD SUB 115KV CKT 1
FDNS	0	0	25SP	G14_012	TO->FROM	National Enrichment Plant Tap - TARGA 3115.00 115KV CKT 1	120	0.09021	142.2801	DOLLARHIDE SUB - TOBOSOFATS3115.00 115KV CKT 1
FDNS	0	0	20SP	G14_012	TO->FROM	National Enrichment Plant Tap - TARGA 3115.00 115KV CKT 1	120	0.08392	142.2576	SPP-SWPS-T39
FDNS	00G14_012	0	20SP	G14_012	TO->FROM	National Enrichment Plant Tap - TARGA 3115.00 115KV CKT 1	120	0.08392	142.2547	SPP-SWPS-T39
FDNS	0	0	20WP	G14_012	TO->FROM	National Enrichment Plant Tap - TARGA 3115.00 115KV CKT 1	139	0.08348	141.7193	RDRUNNER 7345.00 (UPDATE LATER) 345/115/13.2KV TRANSFORMER CKT 1
FDNS	00G14_012	0	20WP	G14_012	TO->FROM	National Enrichment Plant Tap - TARGA 3115.00 115KV CKT 1	139	0.08348	141.7163	RDRUNNER 7345.00 (UPDATE LATER) 345/115/13.2KV TRANSFORMER CKT 1
FDNS	0	0	20SP	G14_012	TO->FROM	National Enrichment Plant Tap - TARGA 3115.00 115KV CKT 1	120	0.08392	141.6336	WARD SUB - WHITTEN SUB 115KV CKT 1
FDNS	00G14_012	0	20SP	G14_012	TO->FROM	National Enrichment Plant Tap - TARGA 3115.00 115KV CKT 1	120	0.08392	141.6309	WARD SUB - WHITTEN SUB 115KV CKT 1
FDNS	0	0	20SP	G14_012	TO->FROM	National Enrichment Plant Tap - TARGA 3115.00 115KV CKT 1	120	0.08201	140.2663	IMC_#1_TP 3115.00 - LIVSTNRIDGE3115.00 115KV CKT 1
FDNS	00G14_012	0	20SP	G14_012	TO->FROM	National Enrichment Plant Tap - TARGA 3115.00 115KV CKT 1	120	0.08201	140.265	IMC_#1_TP 3115.00 - LIVSTNRIDGE3115.00 115KV CKT 1
FDNS	0	0	20SP	G14_012	TO->FROM	National Enrichment Plant Tap - TARGA 3115.00 115KV CKT 1	120	0.11749	134.3289	HOBBS (UPDATE DATA) 345/230/13.2KV TRANSFORMER CKT 1
FDNS	00G14_012	0	20SP	G14_012	TO->FROM	National Enrichment Plant Tap - TARGA 3115.00 115KV CKT 1	120	0.11749	134.324	HOBBS (UPDATE DATA) 345/230/13.2KV TRANSFORMER CKT 1
FDNS	0	0	20WP	G14_012	TO->FROM	National Enrichment Plant Tap - TARGA 3115.00 115KV CKT 1	139	0.08396	131.8732	BYRD SUB - MONUMENT TAP 115KV CKT 1
FDNS	00G14_012	0	20WP	G14_012	TO->FROM	National Enrichment Plant Tap - TARGA 3115.00 115KV CKT 1	139	0.08396	131.8678	BYRD SUB - MONUMENT TAP 115KV CKT 1
FDNS	0	0	20WP	G14_012	TO->FROM	National Enrichment Plant Tap - TARGA 3115.00 115KV CKT 1	139	0.08396	131.8452	CUNNINGHAM STATION - MONUMENT TAP 115KV CKT 1
FDNS	00G14_012	0	20WP	G14_012	TO->FROM	National Enrichment Plant Tap - TARGA 3115.00 115KV CKT 1	139	0.08396	131.8398	CUNNINGHAM STATION - MONUMENT TAP 115KV CKT 1
FDNS	0	0	20WP	G14_012	TO->FROM	National Enrichment Plant Tap - TARGA 3115.00 115KV CKT 1	139	0.08201	130.9005	INTREPDW_TP3115.00 - POTASH JUNCTION INTERCHANGE 115KV CKT 1
FDNS	00G14_012	0	20WP	G14_012	TO->FROM	National Enrichment Plant Tap - TARGA 3115.00 115KV CKT 1	139	0.08201	130.8977	INTREPDW_TP3115.00 - POTASH JUNCTION INTERCHANGE 115KV CKT 1
FDNS	0	0	20SP	G14_012	TO->FROM	National Enrichment Plant Tap - TARGA 3115.00 115KV CKT 1	120	0.09453	128.1158	CUNNINGHAM STATION - POTASH JUNCTION INTERCHANGE 230KV CKT 1
FDNS	00G14_012	0	20SP	G14_012	TO->FROM	National Enrichment Plant Tap - TARGA 3115.00 115KV CKT 1	120	0.09453	128.1138	CUNNINGHAM STATION - POTASH JUNCTION INTERCHANGE 230KV CKT 1
FDNS	0	0	20SP	G14_012	TO->FROM	National Enrichment Plant Tap - TARGA 3115.00 115KV CKT 1	120	0.07787	127.4682	AGAVE_RHILL3115.00 - RDRUNNER 3115.00 115KV CKT 1
FDNS	00G14_012	0	20SP	G14_012	TO->FROM	National Enrichment Plant Tap - TARGA 3115.00 115KV CKT 1	120	0.07787	127.4674	AGAVE_RHILL3115.00 - RDRUNNER 3115.00 115KV CKT 1
FDNS	0	0	20SP	G14_012	TO->FROM	National Enrichment Plant Tap - TARGA 3115.00 115KV CKT 1	120	0.09017	126.9952	KIOWA 7345.00 - NLOV_PLT 7345.00 345KV CKT 1
FDNS	00G14_012	0	20SP	G14_012	TO->FROM	National Enrichment Plant Tap - TARGA 3115.00 115KV CKT 1	120	0.09017	126.9937	KIOWA 7345.00 - NLOV_PLT 7345.00 345KV CKT 1
FDNS	0	0	20WP	G14_012	TO->FROM	National Enrichment Plant Tap - TARGA 3115.00 115KV CKT 1	139	0.08396	125.8648	BYRD SUB - COOPER RANCH SUB 115KV CKT 1
FDNS	00G14_012	0	20WP	G14_012	TO->FROM	National Enrichment Plant Tap - TARGA 3115.00 115KV CKT 1	139	0.08396	125.8593	BYRD SUB - COOPER RANCH SUB 115KV CKT 1
FDNS	0	0	20SP	G14_012	TO->FROM	National Enrichment Plant Tap - TARGA 3115.00 115KV CKT 1	120	0.08034	124.9906	HOBBS - YOAKUM_345 345.00 345KV CKT 1
FDNS	00G14_012	0	20SP	G14_012	TO->FROM	National Enrichment Plant Tap - TARGA 3115.00 115KV CKT 1	120	0.08034	124.9897	HOBBS - YOAKUM_345 345.00 345KV CKT 1
FDNS	0	0	20WP	G14_012	TO->FROM	National Enrichment Plant Tap - TARGA 3115.00 115KV CKT 1	139	0.08396	124.9684	COOPER RANCH SUB - OIL_CENTER 3115.00 115KV CKT 1
FDNS	00G14_012	0	20WP	G14_012	TO->FROM	National Enrichment Plant Tap - TARGA 3115.00 115KV CKT 1	139	0.08396	124.963	COOPER RANCH SUB - OIL_CENTER 3115.00 115KV CKT 1
FDNS	0	0	20SP	G14_012	TO->FROM	National Enrichment Plant Tap - TARGA 3115.00 115KV CKT 1	120	0.09017	124.602	POTASH JUNCTION INTERCHANGE (UPDATE LATER) 230/115/13.2KV TRANSFORMER CKT 1
FDNS	00G14_012	0	20SP	G14_012	TO->FROM	National Enrichment Plant Tap - TARGA 3115.00 115KV CKT 1	120	0.09017	124.5967	POTASH JUNCTION INTERCHANGE (UPDATE LATER) 230/115/13.2KV TRANSFORMER CKT 1

SOLUTION	GROUP	SCENARIO	SEASON	SOURCE	DIRECTION	MONITORED ELEMENT		RATEB (MVA)	TDF	TC%LOADING (% MVA)	CONTINGENCY
FDNS	0	0	20WP	G14_012	TO->FROM	National Enrichment Plant Tap - TARGA	3115.00 115KV CKT 1	139	0.08396	124.5784	LEA ROAD SUB - OIL_CENTER 3115.00 115KV CKT 1
FDNS	00G14_012	0	20WP	G14_012	TO->FROM	National Enrichment Plant Tap - TARGA	3115.00 115KV CKT 1	139	0.08396	124.573	LEA ROAD SUB - OIL_CENTER 3115.00 115KV CKT 1
FDNS	0	0	20WP	G14_012	TO->FROM	National Enrichment Plant Tap - TARGA	3115.00 115KV CKT 1	139	0.08201	124.374	IMC #1_TP 3115.00 - INTREPDW_TP3115.00 115KV CKT 1
FDNS	00G14_012	0	20WP	G14_012	TO->FROM	National Enrichment Plant Tap - TARGA	3115.00 115KV CKT 1	139	0.08201	124.3711	IMC #1_TP 3115.00 - INTREPDW_TP3115.00 115KV CKT 1
FDNS	0	0	20SP	G14_012	TO->FROM	National Enrichment Plant Tap - TARGA	3115.00 115KV CKT 1	120	0.09	123.5213	CHINA_DRAW 7345.00 - NLOW_PLT 7345.00 345KV CKT 1
FDNS	00G14_012	0	20SP	G14_012	TO->FROM	National Enrichment Plant Tap - TARGA	3115.00 115KV CKT 1	120	0.09	123.5196	CHINA_DRAW 7345.00 - NLOW_PLT 7345.00 345KV CKT 1
FDNS	0	0	20SP	G14_012	TO->FROM	National Enrichment Plant Tap - TARGA	3115.00 115KV CKT 1	120	0.09	122.9443	CHINA_DRAW 7345.00 (UPDATE LATER) 345/115/13.2KV TRANSFORMER CKT 1
FDNS	00G14_012	0	20SP	G14_012	TO->FROM	National Enrichment Plant Tap - TARGA	3115.00 115KV CKT 1	120	0.09	122.9428	CHINA_DRAW 7345.00 (UPDATE LATER) 345/115/13.2KV TRANSFORMER CKT 1
FDNS	0	0	20SP	G14_012	TO->FROM	National Enrichment Plant Tap - TARGA	3115.00 115KV CKT 1	120	0.08934	122.5537	CHINA_DRAW 3115.00 - WOOD_DRAW 3115.00 115KV CKT 1
FDNS	00G14_012	0	20SP	G14_012	TO->FROM	National Enrichment Plant Tap - TARGA	3115.00 115KV CKT 1	120	0.08934	122.5519	CHINA_DRAW 3115.00 - WOOD_DRAW 3115.00 115KV CKT 1
FDNS	0	0	20SP	G14_012	TO->FROM	National Enrichment Plant Tap - TARGA	3115.00 115KV CKT 1	120	0.09019	120.3003	GEN528560 1-DOLLARHIDE 112.470
FDNS	00G14_012	0	20SP	G14_012	TO->FROM	National Enrichment Plant Tap - TARGA	3115.00 115KV CKT 1	120	0.09019	120.2984	GEN528560 1-DOLLARHIDE 112.470
FDNS	0	0	20SP	G14_012	TO->FROM	National Enrichment Plant Tap - TARGA	3115.00 115KV CKT 1	120	0.09433	120.0195	CUNNINGHAM STATION - EDDY COUNTY INTERCHANGE 230KV CKT 1
FDNS	00G14_012	0	20SP	G14_012	TO->FROM	National Enrichment Plant Tap - TARGA	3115.00 115KV CKT 1	120	0.09433	120.0171	CUNNINGHAM STATION - EDDY COUNTY INTERCHANGE 230KV CKT 1
FDNS	0	0	20SP	G14_012	TO->FROM	National Enrichment Plant Tap - TARGA	3115.00 115KV CKT 1	120	0.09019	119.9715	GEN528546 1-S_JAL 112.470
FDNS	00G14_012	0	20SP	G14_012	TO->FROM	National Enrichment Plant Tap - TARGA	3115.00 115KV CKT 1	120	0.09019	119.9697	GEN528546 1-S_JAL 112.470
FDNS	0	0	20SP	G14_012	TO->FROM	National Enrichment Plant Tap - TARGA	3115.00 115KV CKT 1	120	0.09157	119.9025	PCA INTERCHANGE - QUAHADA 3115.00 115KV CKT 1
FDNS	00G14_012	0	20SP	G14_012	TO->FROM	National Enrichment Plant Tap - TARGA	3115.00 115KV CKT 1	120	0.09157	119.9001	PCA INTERCHANGE - QUAHADA 3115.00 115KV CKT 1
FDNS	0	0	20SP	G14_012	TO->FROM	National Enrichment Plant Tap - TARGA	3115.00 115KV CKT 1	120	0.09058	119.8815	MADDOX STATION - PEARL SUB 115KV CKT 1
FDNS	00G14_012	0	20SP	G14_012	TO->FROM	National Enrichment Plant Tap - TARGA	3115.00 115KV CKT 1	120	0.09058	119.8775	MADDOX STATION - PEARL SUB 115KV CKT 1
FDNS	0	0	20WP	G14_012	TO->FROM	National Enrichment Plant Tap - TARGA	3115.00 115KV CKT 1	139	0.08396	119.7749	LEA ROAD SUB - WARD SUB 115KV CKT 1
FDNS	00G14_012	0	20WP	G14_012	TO->FROM	National Enrichment Plant Tap - TARGA	3115.00 115KV CKT 1	139	0.08396	119.7694	LEA ROAD SUB - WARD SUB 115KV CKT 1
FDNS	0	0	20WP	G14_012	TO->FROM	National Enrichment Plant Tap - TARGA	3115.00 115KV CKT 1	139	0.08396	119.5836	SPP-SWPS-T39
FDNS	00G14_012	0	20WP	G14_012	TO->FROM	National Enrichment Plant Tap - TARGA	3115.00 115KV CKT 1	139	0.08396	119.578	SPP-SWPS-T39
FDNS	0	0	20WP	G14_012	TO->FROM	National Enrichment Plant Tap - TARGA	3115.00 115KV CKT 1	139	0.08201	119.5417	IMC #1_TP 3115.00 - LIVSTNRIDGE3115.00 115KV CKT 1
FDNS	00G14_012	0	20WP	G14_012	TO->FROM	National Enrichment Plant Tap - TARGA	3115.00 115KV CKT 1	139	0.08201	119.5388	IMC #1_TP 3115.00 - LIVSTNRIDGE3115.00 115KV CKT 1
FDNS	00G14_012	0	20SP	G14_012	TO->FROM	National Enrichment Plant Tap - TARGA	3115.00 115KV CKT 1	120	0.0887	119.4843	CROSSROADS 345.00 - EDDY COUNTY INTERCHANGE 345KV CKT 1
FDNS	0	0	20SP	G14_012	TO->FROM	National Enrichment Plant Tap - TARGA	3115.00 115KV CKT 1	120	0.0887	119.4834	CROSSROADS 345.00 - EDDY COUNTY INTERCHANGE 345KV CKT 1
FDNS	00G14_012	0	20SP	G14_012	TO->FROM	National Enrichment Plant Tap - TARGA	3115.00 115KV CKT 1	120	0.0887	119.4803	EDDY COUNTY INTERCHANGE (ABB AEM30711) 345/230/13.2KV TRANSFORMER CKT 1
FDNS	0	0	20SP	G14_012	TO->FROM	National Enrichment Plant Tap - TARGA	3115.00 115KV CKT 1	120	0.0887	119.4792	EDDY COUNTY INTERCHANGE (ABB AEM30711) 345/230/13.2KV TRANSFORMER CKT 1
FDNS	0	0	20SP	G14_012	TO->FROM	National Enrichment Plant Tap - TARGA	3115.00 115KV CKT 1	120	0.08872	119.4633	SPP-SWPS-06
FDNS	00G14_012	0	20SP	G14_012	TO->FROM	National Enrichment Plant Tap - TARGA	3115.00 115KV CKT 1	120	0.08872	119.461	SPP-SWPS-06
FDNS	0	0	20SP	G14_012	TO->FROM	National Enrichment Plant Tap - TARGA	3115.00 115KV CKT 1	120	0.09063	119.4381	CUNNINGHAM STATION - QUAHADA 3115.00 115KV CKT 1
FDNS	00G14_012	0	20SP	G14_012	TO->FROM	National Enrichment Plant Tap - TARGA	3115.00 115KV CKT 1	120	0.09063	119.436	CUNNINGHAM STATION - QUAHADA 3115.00 115KV CKT 1
FDNS	0	0	20WP	G14_012	TO->FROM	National Enrichment Plant Tap - TARGA	3115.00 115KV CKT 1	139	0.08396	119.0415	WARD SUB - WHITTEN SUB 115KV CKT 1
FDNS	00G14_012	0	20WP	G14_012	TO->FROM	National Enrichment Plant Tap - TARGA	3115.00 115KV CKT 1	139	0.08396	119.0361	WARD SUB - WHITTEN SUB 115KV CKT 1
FDNS	0	0	20SP	G14_012	TO->FROM	National Enrichment Plant Tap - TARGA	3115.00 115KV CKT 1	120	0.09019	116.3775	BASE CASE
FDNS	0	0	20SP	G14_012	TO->FROM	National Enrichment Plant Tap - TARGA	3115.00 115KV CKT 1	120	0.09019	116.3775	BASE CASE
FDNS	00G14_012	0	20SP	G14_012	TO->FROM	National Enrichment Plant Tap - TARGA	3115.00 115KV CKT 1	120	0.09019	116.3756	BASE CASE
FDNS	00G14_012	0	20SP	G14_012	TO->FROM	National Enrichment Plant Tap - TARGA	3115.00 115KV CKT 1	120	0.09019	116.3756	BASE CASE
FDNS	0	0	20SP	G14_012	TO->FROM	National Enrichment Plant Tap - TARGA	3115.00 115KV CKT 1	120	0.09019	113.9154	GEN527903 1-HOBBS PLANT #3 (ST)
FDNS	00G14_012	0	20SP	G14_012	TO->FROM	National Enrichment Plant Tap - TARGA	3115.00 115KV CKT 1	120	0.09019	113.9119	GEN527903 1-HOBBS PLANT #3 (ST)
FDNS	0	0	20SP	G14_012	TO->FROM	National Enrichment Plant Tap - TARGA	3115.00 115KV CKT 1	120	0.08932	113.6438	SAND DUNES SUB - WIPP SUB 115KV CKT 1
FDNS	00G14_012	0	20SP	G14_012	TO->FROM	National Enrichment Plant Tap - TARGA	3115.00 115KV CKT 1	120	0.08932	113.642	SAND DUNES SUB - WIPP SUB 115KV CKT 1
FDNS	0	0	20WP	G14_012	TO->FROM	National Enrichment Plant Tap - TARGA	3115.00 115KV CKT 1	139	0.11748	113.6244	HOBBS (UPDATE DATA) 345/230/13.2KV TRANSFORMER CKT 1
FDNS	00G14_012	0	20WP	G14_012	TO->FROM	National Enrichment Plant Tap - TARGA	3115.00 115KV CKT 1	139	0.11748	113.6181	HOBBS (UPDATE DATA) 345/230/13.2KV TRANSFORMER CKT 1
FDNS	0	0	20SP	G14_012	TO->FROM	National Enrichment Plant Tap - TARGA	3115.00 115KV CKT 1	120	0.1178	113.0709	DRINKARD SUB - DRINKARD TAP 115KV CKT 1
FDNS	00G14_012	0	20SP	G14_012	TO->FROM	National Enrichment Plant Tap - TARGA	3115.00 115KV CKT 1	120	0.1178	113.0707	DRINKARD SUB - DRINKARD TAP 115KV CKT 1
FDNS	0	0	20SP	G14_012	TO->FROM	National Enrichment Plant Tap - TARGA	3115.00 115KV CKT 1	120	0.08932	113.0682	LIVSTNRIDGE3115.00 - WIPP SUB 115KV CKT 1
FDNS	00G14_012	0	20SP	G14_012	TO->FROM	National Enrichment Plant Tap - TARGA	3115.00 115KV CKT 1	120	0.08932	113.0584	LIVSTNRIDGE3115.00 - WIPP SUB 115KV CKT 1
FDNS	0	0	20SP	G14_012	TO->FROM	National Enrichment Plant Tap - TARGA	3115.00 115KV CKT 1	120	0.09455	111.2417	SPP-SWPS-T42
FDNS	00G14_012	0	20SP	G14_012	TO->FROM	National Enrichment Plant Tap - TARGA	3115.00 115KV CKT 1	120	0.09455	111.2384	SPP-SWPS-T42
FDNS	0	0	20SP	G14_012	TO->FROM	National Enrichment Plant Tap - TARGA	3115.00 115KV CKT 1	120	0.09455	111.2046	MONUMENT SUB - WEST HOBBS SWITCHING STATION 115KV CKT 1
FDNS	00G14_012	0	20SP	G14_012	TO->FROM	National Enrichment Plant Tap - TARGA	3115.00 115KV CKT 1	120	0.09455	111.2012	MONUMENT SUB - WEST HOBBS SWITCHING STATION 115KV CKT 1
FDNS	0	0	20SP	G14_012	TO->FROM	National Enrichment Plant Tap - TARGA	3115.00 115KV CKT 1	120	0.09455	110.6081	MADDOX STATION - MONUMENT SUB 115KV CKT 1
FDNS	00G14_012	0	20SP	G14_012	TO->FROM	National Enrichment Plant Tap - TARGA	3115.00 115KV CKT 1	120	0.09455	110.6063	MADDOX STATION - MONUMENT SUB 115KV CKT 1
FDNS	0	0	20SP	G14_012	TO->FROM	National Enrichment Plant Tap - TARGA	3115.00 115KV CKT 1	120	0.09019	110.2186	PNDEROSATP 3115.00 - PONDEROSA 3115.00 115KV CKT 1
FDNS	00G14_012	0	20SP	G14_012	TO->FROM	National Enrichment Plant Tap - TARGA	3115.00 115KV CKT 1	120	0.09019	110.2167	PNDEROSATP 3115.00 - PONDEROSA 3115.00 115KV CKT 1
FDNS	0	0	20SP	G14_012	TO->FROM	National Enrichment Plant Tap - TARGA	3115.00 115KV CKT 1	120	0.1178	108.5911	DRINKARD TAP - WEST HOBBS SWITCHING STATION 115KV CKT 1
FDNS	00G14_012	0	20SP	G14_012	TO->FROM	National Enrichment Plant Tap - TARGA	3115.00 115KV CKT 1	120	0.1178	108.5907	DRINKARD TAP - WEST HOBBS SWITCHING STATION 115KV CKT 1
FDNS	0	0	20SP	G14_012	TO->FROM	National Enrichment Plant Tap - TARGA	3115.00 115KV CKT 1	120	0.07787	108.5764	AGAVE_RHILL3115.00 - OCHOA SUB 115KV CKT 1
FDNS	00G14_012	0	20SP	G14_012	TO->FROM	National Enrichment Plant Tap - TARGA	3115.00 115KV CKT 1	120	0.07787	108.5753	AGAVE_RHILL3115.00 - OCHOA SUB 115KV CKT 1

SOLUTION	GROUP	SCENARIO	SEASON	SOURCE	DIRECTION	MONITORED ELEMENT	RATEB (MVA)	TDF	TC%LOADING (% MVA)	CONTINGENCY
FDNS	0	0	20WP	G14_012	TO->FROM	National Enrichment Plant Tap - TARGA 3115.00 115KV CKT 1	139	0.07788	108.4535	AGAVE_RHILL3115.00 - RDRUNNER 3115.00 115KV CKT 1
FDNS	00G14_012	0	20WP	G14_012	TO->FROM	National Enrichment Plant Tap - TARGA 3115.00 115KV CKT 1	139	0.07788	108.4511	AGAVE_RHILL3115.00 - RDRUNNER 3115.00 115KV CKT 1
FDNS	0	0	20SP	G14_012	TO->FROM	National Enrichment Plant Tap - TARGA 3115.00 115KV CKT 1	120	0.09019	108.3196	DOLLARHIDE SUB - TOBOSOFATS3115.00 115KV CKT 1
FDNS	00G14_012	0	20SP	G14_012	TO->FROM	National Enrichment Plant Tap - TARGA 3115.00 115KV CKT 1	120	0.09019	108.3176	DOLLARHIDE SUB - TOBOSOFATS3115.00 115KV CKT 1
FDNS	0	0	20WP	G14_012	TO->FROM	National Enrichment Plant Tap - TARGA 3115.00 115KV CKT 1	139	0.09456	107.226	CUNNINGHAM STATION - POTASH JUNCTION INTERCHANGE 230KV CKT 1
FDNS	00G14_012	0	20WP	G14_012	TO->FROM	National Enrichment Plant Tap - TARGA 3115.00 115KV CKT 1	139	0.09456	107.2211	CUNNINGHAM STATION - POTASH JUNCTION INTERCHANGE 230KV CKT 1
FDNS	0	0	20WP	G14_012	TO->FROM	National Enrichment Plant Tap - TARGA 3115.00 115KV CKT 1	139	0.09019	106.3816	KIOWA 7345.00 - NLOV_PLT 7345.00 345KV CKT 1
FDNS	00G14_012	0	20WP	G14_012	TO->FROM	National Enrichment Plant Tap - TARGA 3115.00 115KV CKT 1	139	0.09019	106.3775	KIOWA 7345.00 - NLOV_PLT 7345.00 345KV CKT 1
FDNS	0	0	20WP	G14_012	TO->FROM	National Enrichment Plant Tap - TARGA 3115.00 115KV CKT 1	139	0.09017	106.0269	POTASH JUNCTION INTERCHANGE (UPDATE LATER) 230/115/13.2KV TRANSFORMER CKT 1
FDNS	00G14_012	0	20WP	G14_012	TO->FROM	National Enrichment Plant Tap - TARGA 3115.00 115KV CKT 1	139	0.09017	106.0236	POTASH JUNCTION INTERCHANGE (UPDATE LATER) 230/115/13.2KV TRANSFORMER CKT 1
FDNS	0	0	20SP	G14_012	TO->FROM	National Enrichment Plant Tap - TARGA 3115.00 115KV CKT 1	120	0.0626	105.8175	LIVSTNRIDGE3115.00 - SAGE_BRUSH 3115.00 115KV CKT 1
FDNS	00G14_012	0	20SP	G14_012	TO->FROM	National Enrichment Plant Tap - TARGA 3115.00 115KV CKT 1	120	0.0626	105.8091	LIVSTNRIDGE3115.00 - SAGE_BRUSH 3115.00 115KV CKT 1
FDNS	0	0	20WP	G14_012	TO->FROM	National Enrichment Plant Tap - TARGA 3115.00 115KV CKT 1	139	0.08038	105.799	HOBBS - YOAKUM_345 345.00 345KV CKT 1
FDNS	00G14_012	0	20WP	G14_012	TO->FROM	National Enrichment Plant Tap - TARGA 3115.00 115KV CKT 1	139	0.08038	105.7954	HOBBS - YOAKUM_345 345.00 345KV CKT 1
FDNS	0	0	20SP	G14_012	TO->FROM	National Enrichment Plant Tap - TARGA 3115.00 115KV CKT 1	120	0.07727	104.6567	ANDREWS 6230.00 (FROM MIDLAND) 230/115/13.2KV TRANSFORMER CKT 1
FDNS	00G14_012	0	20SP	G14_012	TO->FROM	National Enrichment Plant Tap - TARGA 3115.00 115KV CKT 1	120	0.07727	104.6546	ANDREWS 6230.00 (FROM MIDLAND) 230/115/13.2KV TRANSFORMER CKT 1
FDNS	0	0	20WP	G14_012	TO->FROM	National Enrichment Plant Tap - TARGA 3115.00 115KV CKT 1	139	0.09002	104.6466	CHINA_DRAW 7345.00 - NLOV_PLT 7345.00 345KV CKT 1
FDNS	00G14_012	0	20WP	G14_012	TO->FROM	National Enrichment Plant Tap - TARGA 3115.00 115KV CKT 1	139	0.09002	104.6428	CHINA_DRAW 7345.00 - NLOV_PLT 7345.00 345KV CKT 1
FDNS	0	0	20SP	G14_012	TO->FROM	National Enrichment Plant Tap - TARGA 3115.00 115KV CKT 1	120	0.07716	104.5586	ANDREWS 6230.00 (FROM BORDEN) 230/115/13.2KV TRANSFORMER CKT 2
FDNS	00G14_012	0	20SP	G14_012	TO->FROM	National Enrichment Plant Tap - TARGA 3115.00 115KV CKT 1	120	0.07716	104.5565	ANDREWS 6230.00 (FROM BORDEN) 230/115/13.2KV TRANSFORMER CKT 2
FDNS	0	0	20WP	G14_012	TO->FROM	National Enrichment Plant Tap - TARGA 3115.00 115KV CKT 1	139	0.09002	104.2154	CHINA_DRAW 7345.00 (UPDATE LATER) 345/115/13.2KV TRANSFORMER CKT 1
FDNS	00G14_012	0	20WP	G14_012	TO->FROM	National Enrichment Plant Tap - TARGA 3115.00 115KV CKT 1	139	0.09002	104.2115	CHINA_DRAW 7345.00 (UPDATE LATER) 345/115/13.2KV TRANSFORMER CKT 1
FDNS	0	0	20WP	G14_012	TO->FROM	National Enrichment Plant Tap - TARGA 3115.00 115KV CKT 1	139	0.08936	103.7736	CHINA_DRAW 3115.00 - WOOD_DRAW 3115.00 115KV CKT 1
FDNS	00G14_012	0	20WP	G14_012	TO->FROM	National Enrichment Plant Tap - TARGA 3115.00 115KV CKT 1	139	0.08936	103.7699	CHINA_DRAW 3115.00 - WOOD_DRAW 3115.00 115KV CKT 1
FDNS	0	0	20SP	G14_012	TO->FROM	National Enrichment Plant Tap - TARGA 3115.00 115KV CKT 1	120	0.09019	103.3907	GEN562495 1-G14_012_2 18.000
FDNS	00G14_012	0	20SP	G14_012	TO->FROM	National Enrichment Plant Tap - TARGA 3115.00 115KV CKT 1	120	0.09019	103.3892	GEN562495 1-G14_012_2 18.000
FDNS	0	0	20WP	G14_012	TO->FROM	National Enrichment Plant Tap - TARGA 3115.00 115KV CKT 1	139	0.09061	102.0571	MADDOX STATION - PEARL SUB 115KV CKT 1
FDNS	00G14_012	0	20WP	G14_012	TO->FROM	National Enrichment Plant Tap - TARGA 3115.00 115KV CKT 1	139	0.09061	102.053	MADDOX STATION - PEARL SUB 115KV CKT 1
FDNS	0	0	20WP	G14_012	TO->FROM	National Enrichment Plant Tap - TARGA 3115.00 115KV CKT 1	139	0.0916	102.0131	PCA INTERCHANGE - QUAHADA 3115.00 115KV CKT 1
FDNS	00G14_012	0	20WP	G14_012	TO->FROM	National Enrichment Plant Tap - TARGA 3115.00 115KV CKT 1	139	0.0916	102.0084	PCA INTERCHANGE - QUAHADA 3115.00 115KV CKT 1
FDNS	0	0	20WP	G14_012	TO->FROM	National Enrichment Plant Tap - TARGA 3115.00 115KV CKT 1	139	0.09021	99.6	BASE CASE
FDNS	0	0	20WP	G14_012	TO->FROM	National Enrichment Plant Tap - TARGA 3115.00 115KV CKT 1	139	0.09021	99.6	BASE CASE
FDNS	00G14_012	0	20WP	G14_012	TO->FROM	National Enrichment Plant Tap - TARGA 3115.00 115KV CKT 1	139	0.09021	99.6	BASE CASE
FDNS	00G14_012	0	20WP	G14_012	TO->FROM	National Enrichment Plant Tap - TARGA 3115.00 115KV CKT 1	139	0.09021	99.6	BASE CASE
FDNS	0	0	20SP	G14_012	FROM->TO	National Enrichment Plant Tap - TEAGUE SUB 115KV CKT 1	120	0.04256	104.4962	BYRD SUB - MONUMENT TAP 115KV CKT 1
FDNS	00G14_012	0	20SP	G14_012	FROM->TO	National Enrichment Plant Tap - TEAGUE SUB 115KV CKT 1	120	0.04256	104.4949	BYRD SUB - MONUMENT TAP 115KV CKT 1
FDNS	0	0	20SP	G14_012	FROM->TO	National Enrichment Plant Tap - TEAGUE SUB 115KV CKT 1	120	0.04256	104.4578	CUNNINGHAM STATION - MONUMENT TAP 115KV CKT 1
FDNS	00G14_012	0	20SP	G14_012	FROM->TO	National Enrichment Plant Tap - TEAGUE SUB 115KV CKT 1	120	0.04256	104.4565	CUNNINGHAM STATION - MONUMENT TAP 115KV CKT 1
FDNS	00G14_012	0	20SP	G14_012	FROM->TO	National Enrichment Plant Tap - TEAGUE SUB 115KV CKT 1	120	0.04433	102.6526	KIOWA 7345.00 - RDRUNNER 7345.00 345KV CKT 1
FDNS	0	0	20SP	G14_012	FROM->TO	National Enrichment Plant Tap - TEAGUE SUB 115KV CKT 1	120	0.04433	102.652	KIOWA 7345.00 - RDRUNNER 7345.00 345KV CKT 1
FDNS	00G14_012	0	20SP	G14_012	FROM->TO	National Enrichment Plant Tap - TEAGUE SUB 115KV CKT 1	120	0.04433	101.1788	RDRUNNER 7345.00 (UPDATE LATER) 345/115/13.2KV TRANSFORMER CKT 1
FDNS	0	0	20SP	G14_012	FROM->TO	National Enrichment Plant Tap - TEAGUE SUB 115KV CKT 1	120	0.04433	101.1773	RDRUNNER 7345.00 (UPDATE LATER) 345/115/13.2KV TRANSFORMER CKT 1
FDNSLock-Blown up	0	0	25SP	G14_012	-	Non-converged Contingency	525	0.18436	-	National Enrichment Plant Sub 115KV SWITCHED SHUNT
FDNSLock-Blown up	00G14_012	0	25SP	G14_012	-	Non-converged Contingency	525	0.18437	-	National Enrichment Plant Sub 115KV SWITCHED SHUNT
FDNS	00G14_012	2	20SP	G14_012	FROM->TO	ANDREWS 6230.00 (FROM BORDEN) 230/115/13.2KV TRANSFORMER CKT 2	168	0.1565	102.8612	ANDREWS 6230.00 (FROM MIDLAND) 230/115/13.2KV TRANSFORMER CKT 1
FDNS	0	2	20SP	G14_012	FROM->TO	ANDREWS 6230.00 (FROM BORDEN) 230/115/13.2KV TRANSFORMER CKT 2	168	0.1565	102.8592	ANDREWS 6230.00 (FROM MIDLAND) 230/115/13.2KV TRANSFORMER CKT 1
FDNS	00G14_012	2	20WP	G14_012	FROM->TO	ANDREWS 6230.00 (FROM BORDEN) 230/115/13.2KV TRANSFORMER CKT 2	168	0.15643	101.7261	ANDREWS 6230.00 (FROM MIDLAND) 230/115/13.2KV TRANSFORMER CKT 1
FDNS	0	2	20WP	G14_012	FROM->TO	ANDREWS 6230.00 (FROM BORDEN) 230/115/13.2KV TRANSFORMER CKT 2	168	0.15643	101.7235	ANDREWS 6230.00 (FROM MIDLAND) 230/115/13.2KV TRANSFORMER CKT 1
FDNS	00G14_012	2	20SP	G14_012	FROM->TO	ANDREWS 6230.00 (FROM MIDLAND) 230/115/13.2KV TRANSFORMER CKT 1	168	0.15627	102.708	ANDREWS 6230.00 (FROM BORDEN) 230/115/13.2KV TRANSFORMER CKT 2
FDNS	0	2	20SP	G14_012	FROM->TO	ANDREWS 6230.00 (FROM MIDLAND) 230/115/13.2KV TRANSFORMER CKT 1	168	0.15627	102.706	ANDREWS 6230.00 (FROM BORDEN) 230/115/13.2KV TRANSFORMER CKT 2

SOLUTION	GROUP	SCENARIO	SEASON	SOURCE	DIRECTION	MONITORED ELEMENT	RATEB (MVA)	TDF	TC%LOADING (% MVA)	CONTINGENCY
FDNS	00G14_012	2	20WP	G14_012	FROM->TO	ANDREWS 6230.00 (FROM MIDLAND) 230/115/13.2KV TRANSFORMER CKT 1	168	0.1562	101.5754	ANDREWS 6230.00 (FROM BORDEN) 230/115/13.2KV TRANSFORMER CKT 2
FDNS	0	2	20WP	G14_012	FROM->TO	ANDREWS 6230.00 (FROM MIDLAND) 230/115/13.2KV TRANSFORMER CKT 1	168	0.1562	101.5728	ANDREWS 6230.00 (FROM BORDEN) 230/115/13.2KV TRANSFORMER CKT 2
FDNS	0	2	20SP	G14_012	FROM->TO	National Enrichment Plant Tap - TEAGUE SUB 115KV CKT 1	120	0.04232	104.0733	BYRD SUB - MONUMENT TAP 115KV CKT 1
FDNS	00G14_012	2	20SP	G14_012	FROM->TO	National Enrichment Plant Tap - TEAGUE SUB 115KV CKT 1	120	0.04232	104.0723	BYRD SUB - MONUMENT TAP 115KV CKT 1
FDNS	0	2	20SP	G14_012	FROM->TO	National Enrichment Plant Tap - TEAGUE SUB 115KV CKT 1	120	0.04232	104.0347	CUNNINGHAM STATION - MONUMENT TAP 115KV CKT 1
FDNS	00G14_012	2	20SP	G14_012	FROM->TO	National Enrichment Plant Tap - TEAGUE SUB 115KV CKT 1	120	0.04232	104.0337	CUNNINGHAM STATION - MONUMENT TAP 115KV CKT 1
FDNS	00G14_012	2	20SP	G14_012	FROM->TO	National Enrichment Plant Tap - TEAGUE SUB 115KV CKT 1	120	0.04404	102.2009	KIOWA 7345.00 - RDRUNNER 7345.00 345KV CKT 1
FDNS	0	2	20SP	G14_012	FROM->TO	National Enrichment Plant Tap - TEAGUE SUB 115KV CKT 1	120	0.04404	102.1994	KIOWA 7345.00 - RDRUNNER 7345.00 345KV CKT 1
FDNS	00G14_012	2	20SP	G14_012	FROM->TO	National Enrichment Plant Tap - TEAGUE SUB 115KV CKT 1	120	0.04404	100.7519	RDRUNNER 7345.00 (UPDATE LATER) 345/115/13.2KV TRANSFORMER CKT 1
FDNS	0	2	20SP	G14_012	FROM->TO	National Enrichment Plant Tap - TEAGUE SUB 115KV CKT 1	120	0.04404	100.5606	RDRUNNER 7345.00 (UPDATE LATER) 345/115/13.2KV TRANSFORMER CKT 1
FDNS	00G14_013	0	25SP	G14_013	FROM->TO	FT RANDAL - SPENCER 115KV CKT 1	120	0.06508	100.4976	KELLY - MEADOWGROVE4230.00 230KV CKT 1

I: Power Flow Analysis (Constraints from Category C Contingencies)

Available upon request. Contact SPP Generation Interconnection Studies for details.

J: Group 1 Dynamic Stability Analysis Report

No report for this study iteration.

K: Group 6 Dynamic Stability Analysis Report

See SPP Staff report on next page.



Group 6 Impact Study

DISIS-2014-001-1

**October 2014
Generator Interconnection**



Revision History

Date	Author	Change Description
10/31/2014	SPP	DISIS-2014-001-1 Group 6 Stability Report Issued

Executive Summary

DISIS-2014-001-1 Interconnection Customers have requested a Definitive Interconnection System Impact Study detailing the impacts of interconnecting the generation projects shown below.

- GEN-2014-012 – 186MW/225MW (summer/winter) combustion turbine generation facility connected on the Hobbs Interchange to Andrews 230kV line on the Southwestern Public Service (SPS) Transmission System.
- ASGI-2014-001 – 2.3MW wind farm using a GE 2.3MW generator connected to the Erskine 69kV substation on the SPS transmission system. This request was studied as an Affected System request.

A stability analysis was performed for the withdrawal of the generation projects from the DISIS-2014-001 Group 6 study. The analysis was performed on three seasonal models, the modified versions of the 2019 winter peak, the 2019 summer peak, and the 2024 summer peak cases. A total of sixty-eight (68) contingencies were evaluated.

With all Base Case Network Upgrades in service, and previously assigned Network Upgrades in service, the Group 6 projects were found to remain on line, and the transmission system was found to remain stable for all conditions studied.

All generators in the monitored areas remained stable for the entire modeled disturbances.

Nothing in this study should be construed as a guarantee of delivery or transmission service. If the customer wishes to sell power from the facility, a separate request for transmission service must be requested on Southwest Power Pool's OASIS by the Customer.

Table of Contents

Revision History.....	1
Executive Summary.....	i
Table of Contents.....	ii
I. Introduction.....	1
II. Facilities.....	4
III. Stability Analysis.....	6
Model Preparation.....	6
Disturbances.....	6
<i>Results</i>	14
FERC LVRT Compliance.....	16
IV. Conclusion.....	17
Appendix A: 2019 Winter Peak Stability Plots.....	18
Appendix B: 2019 Summer Peak Stability Plots.....	19
Appendix C: 2024 Summer Peak Stability Plots.....	20

I. Introduction

DISIS-2014-001 Interconnection Customers have requested a Definitive Interconnection System Impact Study detailing the impacts of interconnecting the generation projects shown Table I-1 below.

Table I-1: Group 6 Interconnection Requests

Request	Capacity (MW)	Generator Model	Point of Interconnection
GEN-2014-012	186 (summer)/225 (winter)	GENROU	Tap Hobbs Interchange – Andrews 230kV
ASGI-2014-001 ¹	2.3	G.E. 2. 3MW	SP-Erskine 69kV

The previously queued generation projects in the Group 6 area are listed in Table I-2 below.

Table I-2: Group 6 Prior Queued Interconnection Requests

Request	Capacity (MW)	Generator Model	Point of Interconnection
GEN-2001-033	180	Mitsubishi 1000	San Juan Mesa 230kV (524885)
GEN-2001-036	80	Mitsubishi 1000	Norton 115kV (524502)
GEN-2006-018	170	GENSAL	Tuco 230kV (525830)
GEN-2006-026	502	GENROU (527901, 527902, 527903)	Hobbs 115kV(527891) Hobbs 230kV (527894)
GEN-2008-022	300	GE 2.5MW	Tap on Eddy County – Tolk 345kV line (G08-022-POI, 560007)
GEN-2010-006	180 Summer 205 Winter	GENROU	Jones_bus2 230kV(526337)
ASGI-2010-010	42	GENSAL	Lovington 115kV (528334)
ASGI-2010-020	30	Nordex 2.5MW	Tap LE-Tatum to LE-Crsroads 69kV (AS10-020-POI, 560360)
ASGI-2010-021	15	Mitsubishi MPS-1000A 1.0MW	Tap LE-Saundrtp to LE-Anderson 69kV (ASGI-021-POI, 560364)
GEN-2010-046	56	GENSAL	Tuco 230kV (525830)
ASGI-2011-001	27.3	Suzlon 2.1MW	Lovington 115kV (528334)
ASGI-2011-003	10	Sany 2.0MW	Hendricks 69kV (525943)
ASGI-2011-004	19.8	Sany 1.8MW	Crosby 69kV (525915)
GEN-2011-025	80	GE 1.6MW	Tap on Floyd County - Crosby County 115kV line (G11-025-POI, 562004)
GEN-2011-045	180 Summer 205 Winter	GENROU	Jones_bus2 230kV (526337)
GEN-2011-046	23 Summer 27 Winter	GENROU	Quay County 115kV (524472)

¹ ASGI-2014-001 is a capacity increase to ASGI-2013-006.

Table I-2: Group 6 Prior Queued Interconnection Requests

Request	Capacity (MW)	Generator Model	Point of Interconnection
GEN-2011-048	165 Summer 175 Winter	GENROU	Mustang 230kV (527151)
GEN-2012-001	61.2	CCWE 3.6MW (WT4)	Tap Grassland to Borden 230kV (526679)
ASGI-2012-002	18	Vestas 1.65MW V82	Clovis 115kV (524808)
GEN-2012-009	15 MW increase (Pgen=165MW)	GENROU	Mustang 230kV (527151)
GEN-2012-010	15 MW increase (Pgen=165MW)	GENROU	Mustang 230kV (527151)
GEN-2012-020	478	GE 1.68MW	Tuco 230kV (525830)
GEN-2012-034	7 MW increase (Pgen=172MW)	GENROU	Mustang 230kV (527151)
GEN-2012-035	7 MW increase (Pgen=172MW)	GENROU	Mustang 230kV (527151)
GEN-2012-036	7 MW increase (Pgen=172MW Summer/185M W Winter)	GENROU	Mustang 230kV (527151)
GEN-2012-037	196 Summer 203 Winter	GENROU	Tuco 345kV (525832)
GEN-2013-016	191 Summer 203 Winter	GENROU (583456)	Tuco 345kV (525832)
ASGI-2013-002	18.4	Siemens 2.3MW VS (583613)	Tucumcari 115kV (524509)
ASGI-2013-003	18.4	Siemens 2.3MW VS (583623)	Clovis 115kV (524808)
ASGI-2013-006	2.0	Gamesa G114 2MW (583813)	Erskine 115kV (526109)
GEN-2013-022	25.0	Solaron 500kW (583313)	Caprock 115kV (524486)

A stability analysis was performed for the addition of the generation projects in Group 6. The analysis was performed on three seasonal models, the modified versions of the 2019 winter peak, the 2019 summer peak, and the 2024 summer peak cases. All three cases included the planned High Priority Incremental Loads (HPILS) in the area.

The stability analysis determines the impacts of the new interconnecting project on the stability and voltage recovery of the nearby systems and the ability of the interconnecting project to meet FERC Order 661A. If problems with stability or voltage recovery are identified, the need for reactive compensation or system upgrades is investigated. The contingencies listed in Table III-1 were used in the stability analysis.

A power factor analysis determines the power factor at the point of interconnection for the wind interconnection project for pre-contingency and post-contingency conditions. The power factor analysis conducted in DISIS-2014-001 remains valid for the projects in this restudy.

Nothing in this System Impact Study constitutes a request for transmission service or grants the Interconnection Customer any rights to transmission service.

II. Facilities

A one-line drawing for each of the generation interconnection requests in this study is shown in Figure II-1 and Figure II-2.

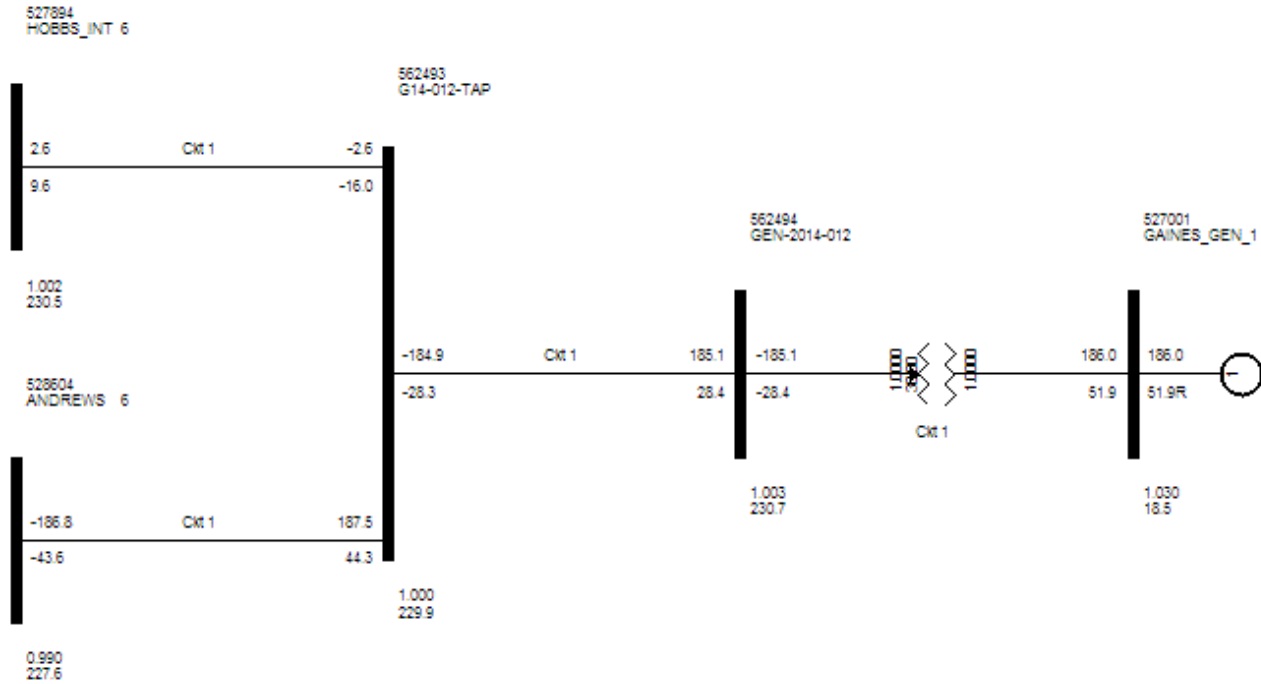
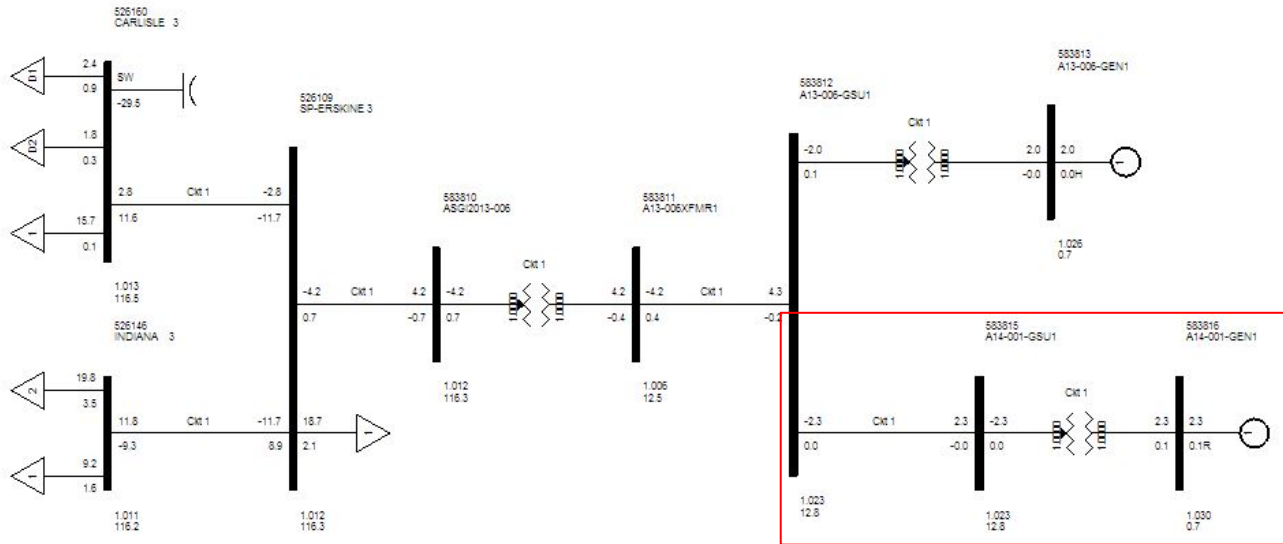


Figure II-1: GEN-2014-012 One-line Diagram



**Figure II-2: ASGI-2014-001 One-line Diagram
(Update to ASGI-2013-006)**

III. Stability Analysis

Transient stability analysis is used to determine if the transmission system can maintain angular stability and ensure bus voltages stay within planning criteria bandwidth during and after a disturbance while considering the addition of a generator interconnection request.

Model Preparation

Transient stability analysis was performed using modified versions of the 2013 series of Model Development Working Group (MDWG) dynamic study models including the 2019 winter peak, 2019 summer peak, and the 2024 summer peak seasonal models. For the 2024 summer peak season, SPS tie lines were adjusted to compare to the ITP model of the same year. All three cases included the planned High Priority Incremental Loads (HPILS) in the area. The cases are then loaded with prior queued interconnection requests and network upgrades assigned to those interconnection requests. Finally the prior queued and study generation are dispatched into the SPP footprint. Initial simulations are then carried out for a no-disturbance run of twenty (20) seconds to verify the numerical stability of the model.

Disturbances

Sixty-eight (68) contingencies were identified for use in this study and are listed in Table III-1. These contingencies are faults at locations defined by SPP. Single-phase line faults were simulated by applying fault impedance to the positive sequence network at the fault location to represent the effect of the negative and zero sequence networks on the positive sequence network. The fault impedance was computed to give a positive sequence voltage at the specified fault location of approximately 60% of pre-fault voltage. This method is in agreement with SPP current practice.

Except for transformer faults, the typical sequence of events for a three-phase and a single-phase fault is as follows:

1. apply fault at particular location
2. continue fault for five (5) cycles, clear the fault by tripping the faulted facility
3. after an additional twenty (20) cycles, re-close the previous facility back into the fault
4. continue fault for five (5) additional cycles
5. trip the faulted facility and remove the fault

Transformer faults are typically modeled as three-phase faults, unless otherwise noted. The sequence of events for a transformer fault is as follows:

1. apply fault for five (5) cycles
2. clear the fault by tripping the affected transformer facility (unless otherwise noted there will be no re-closing into a transformer fault)

The control areas monitored were 526 and 524.

Table III-1: Contingencies Evaluated

Cont. No.	Contingency Name	Description
1	FLT_01_SPErskine_Indiana_115kV_3PH	3 phase fault on the Erskine (526109) to Indiana (526146) 115kV line, near Erskine. a. Apply fault at the Erskine 115kV bus. b. Clear fault after 5 cycles by tripping the faulted line. c. Wait 20 cycles, and then re-close the line in (b) back into the fault. d. Leave fault on for 5 cycles, then trip the line in (b) and remove fault.
2	FLT_02_SPErskine_Carlisle_115kV_3PH	3 phase fault on the Erskine (526109) to Carlisle (526160) 115kV line, near Erskine. a. Apply fault at the Erskine 115kV bus. b. Clear fault after 5 cycles by tripping the faulted line. c. Wait 20 cycles, and then re-close the line in (b) back into the fault. d. Leave fault on for 5 cycles, then trip the line in (b) and remove fault.
3	FLT_03_Tuco_HaleCounty_115kV_3PH	3 phase fault on the TUCO (525828) to Hale County (525454) 115kV line, near TUCO. a. Apply fault at the TUCO 115kV bus. b. Clear fault after 5 cycles by tripping the faulted line. c. Wait 20 cycles, and then re-close the line in (b) back into the fault. d. Leave fault on for 5 cycles, then trip the line in (b) and remove fault.
4	FLT_04_Tuco_FloydCounty_115kV_3PH	3 phase fault on the TUCO (525828) to Floyd County (525780) 115kV line, near TUCO. a. Apply fault at the TUCO 115kV bus. b. Clear fault after 5 cycles by tripping the faulted line. c. Wait 20 cycles, and then re-close the line in (b) back into the fault. d. Leave fault on for 5 cycles, then trip the line in (b) and remove fault.
5	FLT_05_Tuco_StantonWest_115kV_3PH	3 phase fault on the TUCO (525828) to Stanton West (526076) 115kV line, near TUCO. a. Apply fault at the TUCO 115kV bus. b. Clear fault after 5 cycles by tripping the faulted line. c. Wait 20 cycles, and then re-close the line in (b) back into the fault. d. Leave fault on for 5 cycles, then trip the line in (b) and remove fault.
6	FLT_06_Tuco_LubbockWest_115kV_3PH	3 phase fault on the TUCO (525828) to Lubbock West (526298) 115kV line, near TUCO. a. Apply fault at the TUCO 115kV bus. b. Clear fault after 5 cycles by tripping the faulted line. c. Wait 20 cycles, and then re-close the line in (b) back into the fault. d. Leave fault on for 5 cycles, then trip the line in (b) and remove fault.
7	FLT_07_Tuco_Border_345kV_3PH	3 phase fault on the TUCO (525832) to Border (515458) 345kV line, near TUCO. a. Apply fault at the TUCO 345kV bus. b. Clear fault after 5 cycles by tripping the faulted line. c. Wait 20 cycles, and then re-close the line in (b) back into the fault. d. Leave fault on for 5 cycles, then trip the line in (b) and remove fault.
8	FLT_08_Tuco_OKU_345kV_3PH	3 phase fault on the TUCO (525832) to OKU (511456) 345kV line, near TUCO. a. Apply fault at the TUCO 345kV bus. b. Clear fault after 5 cycles by tripping the faulted line. c. Wait 20 cycles, and then re-close the line in (b) back into the fault. d. Leave fault on for 5 cycles, then trip the line in (b) and remove fault.

Table III-1: Contingencies Evaluated

Cont. No.	Contingency Name	Description
9	FLT_09_Tuco_Swisher_230kV_3PH	3 phase fault on the TUCO (525830) to Swisher (525213) 230kV line, near TUCO. a. Apply fault at the TUCO 230kV bus. b. Clear fault after 5 cycles by tripping the faulted line. c. Wait 20 cycles, and then re-close the line in (b) back into the fault. d. Leave fault on for 5 cycles, then trip the line in (b) and remove fault.
10	FLT_10_Tuco_TolkEast_230kV_3PH	3 phase fault on the TUCO (525830) to Tolk East (525524) 230kV line, near TUCO. a. Apply fault at the TUCO 230kV bus. b. Clear fault after 5 cycles by tripping the faulted line. c. Wait 20 cycles, and then re-close the line in (b) back into the fault. d. Leave fault on for 5 cycles, then trip the line in (b) and remove fault.
11	FLT_11_Tuco_Jones_230kV_3PH	3 phase fault on the TUCO (525830) to Jones (526337) 230kV line, near TUCO. a. Apply fault at the TUCO 230kV bus. b. Clear fault after 5 cycles by tripping the faulted line. c. Wait 20 cycles, and then re-close the line in (b) back into the fault. d. Leave fault on for 5 cycles, then trip the line in (b) and remove fault.
12	FLT_12_Tuco_Tuco_230_115kV_3PH	3 phase fault on the TUCO 230kV (525830) / 115kV (525828) / 13.2kV (525821) transformer circuit #1, near TUCO 230kV. a. Apply fault at the TUCO Interchange 230kV bus. b. Clear fault after 5 cycles by tripping the faulted transformer.
13	FLT_13_Tuco_Tuco_230_345kV_3PH	3 phase fault on the TUCO 230kV (525830) / 345kV (525832) / 13.2kV (525824) transformer circuit #1, near TUCO 230kV. a. Apply fault at the TUCO Interchange 230kV bus. b. Clear fault after 5 cycles by tripping the faulted transformer.
14	FLT_14_Jones_LPHolly_230kV_3PH	3 phase fault on the Jones (526337) to LP Holly (522870) 230kV line, near Jones. a. Apply fault at the Jones 230kV bus. b. Clear fault after 5 cycles and trip the faulted line.
15	FLT_15_Jones_LubbockSouth_230kV_3PH	3 phase fault on the Jones (526337) to Lubbock South (526269) 230kV line, near Jones. a. Apply fault at the Jones 230kV bus. b. Clear fault after 5 cycles and trip the faulted line.
16	FLT_16_Jones_LubbockEast_230kV_3PH	3 phase fault on the Jones (526337) to Lubbock East (526299) 230kV line, near Jones. a. Apply fault at the Jones 230kV bus. b. Clear fault after 5 cycles and trip the faulted line.
17	FLT_17_Jones_Grassland_230kV_3PH	3 phase fault on the Jones (526337) to Grassland (526677) 230kV line, near Jones. a. Apply fault at the Jones 230kV bus. b. Clear fault after 5 cycles and trip the faulted line.
18	FLT_18_Border_Woodward_345kV_3PH	3 phase fault on the Border (515458) to Woodward (515375) 345kV line, near Border. a. Apply fault at the Border 345kV bus. b. Clear fault after 5 cycles by tripping the faulted line. c. Wait 20 cycles, and then re-close the line in (b) back into the fault. d. Leave fault on for 5 cycles, then trip the line in (b) and remove fault.

Table III-1: Contingencies Evaluated

Cont. No.	Contingency Name	Description
19	FLT_19_Carlisle_LPDoudTap_115kV_3PH	3 phase fault on the Carlisle (526160) to LP Doud Tap (526162) 115kV line, near Carlisle. a. Apply fault at the Carlisle 115kV bus. b. Clear fault after 5 cycles by tripping the faulted line. c. Wait 20 cycles, and then re-close the line in (b) back into the fault. d. Leave fault on for 5 cycles, then trip the line in (b) and remove fault.
20	FLT_20_Carlisle_Murphy_115kV_3PH	3 phase fault on the Carlisle (526160) to Murphy (526192) 115kV line, near Carlisle. a. Apply fault at the Carlisle 115kV bus. b. Clear fault after 5 cycles by tripping the faulted line. c. Wait 20 cycles, and then re-close the line in (b) back into the fault. d. Leave fault on for 5 cycles, then trip the line in (b) and remove fault.
21	FLT_21_Carlisle_LPMilwaukee_230kV_3PH	3 phase fault on the Carlisle (526161) to LP Milwaukee (522828) 230kV line, near Carlisle. a. Apply fault at the Carlisle 230kV bus. b. Clear fault after 5 cycles by tripping the faulted line. c. Wait 20 cycles, and then re-close the line in (b) back into the fault. d. Leave fault on for 5 cycles, then trip the line in (b) and remove fault.
22	FLT_22_Carlisle_Tuco_230kV_3PH	3 phase fault on the Carlisle (526161) to Tuco (525830) 230kV line, near Carlisle. a. Apply fault at the Carlisle 230kV bus. b. Clear fault after 5 cycles by tripping the faulted line. c. Wait 20 cycles, and then re-close the line in (b) back into the fault. d. Leave fault on for 5 cycles, then trip the line in (b) and remove fault.
23	FLT_23_Carlisle_Carlisle_115_230kV_3PH	3 phase fault on the Carlisle 115kV (526160) / 230kV (526161) / 13.2kV (526157) transformer circuit #1, near Carlisle 115kV. a. Apply fault at the Carlisle 115kV bus. b. Clear fault after 5 cycles by tripping the faulted transformer.
24	FLT_24_Tuco_Tuco_115_230kV_3PH	3 phase fault on the TUCO 115kV (525828) / 230kV (525830) / 13.2kV (525821) transformer circuit #1, near TUCO 115kV. a. Apply fault at the TUCO Interchange 230kV bus. b. Clear fault after 5 cycles by tripping the faulted transformer.
25	FLT_25_LPMilwaukee_LPMilwaukee_230_69kV_3PH	3 phase fault on the LP Milwaukee 230kV (522823) / 69kV (522828) / 13.2kV (522827) transformer circuit #1, near LP Milwaukee 230kV. a. Apply fault at the Carlisle 115kV bus. b. Clear fault after 5 cycles by tripping the faulted transformer.
26	FLT_26_Yoakum_TolkWest_230kV_3PH	3 phase fault on the Yoakum (526935) to Tolk West (525531) 230kV line, near Yoakum. a. Apply fault at the Yoakum 230kV bus. b. Clear fault after 5 cycles by tripping the faulted line. c. Wait 20 cycles, and then re-close the line in (b) back into the fault. d. Leave fault on for 5 cycles, then trip the line in (b) and remove fault.
27	FLT_27_Yoakum_AmocoSS_230kV_3PH	3 phase fault on the Yoakum (526935) to Amoco SS (526460) 230kV line, near Yoakum. a. Apply fault at the Yoakum 230kV bus. b. Clear fault after 5 cycles by tripping the faulted line. c. Wait 20 cycles, and then re-close the line in (b) back into the fault. d. Leave fault on for 5 cycles, then trip the line in (b) and remove fault.

Table III-1: Contingencies Evaluated

Cont. No.	Contingency Name	Description
28	FLT_28_Yoakum_OxyBruTap_230kV_3PH	3 phase fault on the Yoakum (526935) to OxyBruTap (527010) 230kV line, near Yoakum. a. Apply fault at the Yoakum 230kV bus. b. Clear fault after 5 cycles by tripping the faulted line. c. Wait 20 cycles, and then re-close the line in (b) back into the fault. d. Leave fault on for 5 cycles, then trip the line in (b) and remove fault.
29	FLT_29_Yoakum_Mustang_230kV_3PH	3 phase fault on the Yoakum (526935) to Mustang (527149) 230kV line, near Yoakum. a. Apply fault at the Yoakum 230kV bus. b. Clear fault after 5 cycles by tripping the faulted line. c. Wait 20 cycles, and then re-close the line in (b) back into the fault. d. Leave fault on for 5 cycles, then trip the line in (b) and remove fault.
30	FLT_30_Yoakum_Hobbs_230kV_3PH	3 phase fault on the Yoakum (526935) to Hobbs (527894) 230kV line, near Yoakum. a. Apply fault at the Yoakum 230kV bus. b. Clear fault after 5 cycles by tripping the faulted line. c. Wait 20 cycles, and then re-close the line in (b) back into the fault. d. Leave fault on for 5 cycles, then trip the line in (b) and remove fault.
31	FLT_31_Yoakum_Yoakum_230_115kV_3PH	3 phase fault on the Yoakum 230kV (526935) / 115kV (526934) / 13.2kV (526931) transformer circuit #1, near Yoakum 230kV. a. Apply fault at the Yoakum 230kV bus. b. Clear fault after 5 cycles by tripping the faulted transformer.
32	FLT_32_GainesPlant_Hobbs_230kV_3PH	3 phase fault on the Gaines Plant (5562493) to Hobbs (527894) 230kV line, near Gaines Plant. a. Apply fault at the Gaines Plant 230kV bus. b. Clear fault after 5 cycles by tripping the faulted line. c. Wait 20 cycles, and then re-close the line in (b) back into the fault. d. Leave fault on for 5 cycles, then trip the line in (b) and remove fault.
33	FLT_33_GainesPlant_Andrews_230kV_3PH	3 phase fault on the Gaines Plant (5562493) to Andrews (528604) 230kV line, near Gaines Plant. a. Apply fault at the Gaines Plant 230kV bus. b. Clear fault after 5 cycles by tripping the faulted line. c. Wait 20 cycles, and then re-close the line in (b) back into the fault. d. Leave fault on for 5 cycles, then trip the line in (b) and remove fault.
34	FLT_34_NationalEnrich_Andrews_115kV_3PH	3 phase fault on the National Enrich (528603) to Andrews (528602) 115kV line, near National Enrich. a. Apply fault at the National Enrich 115kV bus. b. Clear fault after 5 cycles by tripping the faulted line. c. Wait 20 cycles, and then re-close the line in (b) back into the fault. d. Leave fault on for 5 cycles, then trip the line in (b) and remove fault.
35	FLT_35_NationalEnrich_Drinkard_115kV_3PH	3 phase fault on the National Enrich (528603) to Drinkard (528589) 115kV line, near National Enrich. a. Apply fault at the National Enrich 115kV bus. b. Clear fault after 5 cycles by tripping the faulted line. c. Wait 20 cycles, and then re-close the line in (b) back into the fault. d. Leave fault on for 5 cycles, then trip the line in (b) and remove fault.

Table III-1: Contingencies Evaluated

Cont. No.	Contingency Name	Description
36	FLT_36_NationalEnrich_Targa_115kV_3PH	3 phase fault on the National Enrich (528603) to Targa (528605) 115kV line, near National Enrich. a. Apply fault at the National Enrich 115kV bus. b. Clear fault after 5 cycles by tripping the faulted line. c. Wait 20 cycles, and then re-close the line in (b) back into the fault. d. Leave fault on for 5 cycles, then trip the line in (b) and remove fault.
37	FLT_37_DrinkardTap_HobbsWest_115kV_3PH	3 phase fault on the Drinkard Tap (528533) to Hobbs West (528498) 115kV line, near Drinkard Tap. a. Apply fault at the Drinkard Tap 115kV bus. b. Clear fault after 5 cycles by tripping the faulted line. c. Wait 20 cycles, and then re-close the line in (b) back into the fault. d. Leave fault on for 5 cycles, then trip the line in (b) and remove fault.
38	FLT_38_DrinkardTap_Eunice_115kV_3PH	3 phase fault on the Drinkard Tap (528533) to Eunice (528512) 115kV line, near Drinkard Tap. a. Apply fault at the Drinkard Tap 115kV bus. b. Clear fault after 5 cycles by tripping the faulted line. c. Wait 20 cycles, and then re-close the line in (b) back into the fault. d. Leave fault on for 5 cycles, then trip the line in (b) and remove fault.
39	FLT_39_NatEnrichTap_Lagarto_115kV_3PH	3 phase fault on the National Enrich Tap (528596) to Lagarto (527957) 115kV line, near National Enrich Tap. a. Apply fault at the National Enrich Tap 115kV bus. b. Clear fault after 5 cycles by tripping the faulted line. c. Wait 20 cycles, and then re-close the line in (b) back into the fault. d. Leave fault on for 5 cycles, then trip the line in (b) and remove fault.
40	FLT_40_NatEnrichTap_Teague_115kV_3PH	3 phase fault on the National Enrich Tap (528596) to Teague (528526) 115kV line, near National Enrich Tap. a. Apply fault at the National Enrich Tap 115kV bus. b. Clear fault after 5 cycles by tripping the faulted line. c. Wait 20 cycles, and then re-close the line in (b) back into the fault. d. Leave fault on for 5 cycles, then trip the line in (b) and remove fault.
41	FLT_41_NatEnrichTap_Targa_115kV_3PH	3 phase fault on the National Enrich Tap (528596) to Targa (528605) 115kV line, near National Enrich Tap. a. Apply fault at the National Enrich Tap 115kV bus. b. Clear fault after 5 cycles by tripping the faulted line. c. Wait 20 cycles, and then re-close the line in (b) back into the fault. d. Leave fault on for 5 cycles, then trip the line in (b) and remove fault.
42	FLT_42_Hobbs_Kiowa_345kV_3PH	3 phase fault on the Hobbs (527896) to Kiowa (527965) 345kV line, near Hobbs. a. Apply fault at the Hobbs 345kV bus. b. Clear fault after 5 cycles by tripping the faulted line. c. Wait 20 cycles, and then re-close the line in (b) back into the fault. d. Leave fault on for 5 cycles, then trip the line in (b) and remove fault.
43	FLT_43_Hobbs_Yoakum_230kV_3PH	3 phase fault on the Hobbs (527894) to Yoakum (526935) 230kV line, near Hobbs. a. Apply fault at the Hobbs 230kV bus. b. Clear fault after 5 cycles by tripping the faulted line. c. Wait 20 cycles, and then re-close the line in (b) back into the fault. d. Leave fault on for 5 cycles, then trip the line in (b) and remove fault.

Table III-1: Contingencies Evaluated

Cont. No.	Contingency Name	Description
44	FLT_44_Hobbs_Cunningham_230kV_3PH	3 phase fault on the Hobbs (527894) to Cunningham (527865) 230kV line, near Hobbs. a. Apply fault at the Hobbs 230kV bus. b. Clear fault after 5 cycles by tripping the faulted line. c. Wait 20 cycles, and then re-close the line in (b) back into the fault. d. Leave fault on for 5 cycles, then trip the line in (b) and remove fault.
45	FLT_45_Hobbs_Higg_115kV_3PH	3 phase fault on the Hobbs (527891) to Higg (527363) 115kV line, near Hobbs. a. Apply fault at the Hobbs 115kV bus. b. Clear fault after 5 cycles by tripping the faulted line. c. Wait 20 cycles, and then re-close the line in (b) back into the fault. d. Leave fault on for 5 cycles, then trip the line in (b) and remove fault.
46	FLT_46_Hobbs_Cunningham_115kV_3PH	3 phase fault on the Hobbs (527891) to Cunningham (527864) 115kV line, near Hobbs. a. Apply fault at the Hobbs 115kV bus. b. Clear fault after 5 cycles by tripping the faulted line. c. Wait 20 cycles, and then re-close the line in (b) back into the fault. d. Leave fault on for 5 cycles, then trip the line in (b) and remove fault.
47	FLT_47_Hobbs_LELovington_115kV_3PH	3 phase fault on the Hobbs (527891) to Lovington (528334) 115kV line, near Hobbs. a. Apply fault at the Hobbs 115kV bus. b. Clear fault after 5 cycles by tripping the faulted line. c. Wait 20 cycles, and then re-close the line in (b) back into the fault. d. Leave fault on for 5 cycles, then trip the line in (b) and remove fault.
48	FLT_48_Hobbs_Maddox_115kV_3PH	3 phase fault on the Hobbs (527891) to Maddox (528355) 115kV line, near Hobbs. a. Apply fault at the Hobbs 115kV bus. b. Clear fault after 5 cycles by tripping the faulted line. c. Wait 20 cycles, and then re-close the line in (b) back into the fault. d. Leave fault on for 5 cycles, then trip the line in (b) and remove fault.
49	FLT_49_Hobbs_Millen_115kV_3PH	3 phase fault on the Hobbs (527891) to Millen (528435) 115kV line, near Hobbs. a. Apply fault at the Hobbs 115kV bus. b. Clear fault after 5 cycles by tripping the faulted line. c. Wait 20 cycles, and then re-close the line in (b) back into the fault. d. Leave fault on for 5 cycles, then trip the line in (b) and remove fault.
50	FLT_50_Cunningham_EddySouth_230kV_3PH	3 phase fault on the Cunningham (527865) to Eddy South (527800) 230kV line, near Cunningham. a. Apply fault at the Cunningham 230kV bus. b. Clear fault after 5 cycles by tripping the faulted line. c. Wait 20 cycles, and then re-close the line in (b) back into the fault. d. Leave fault on for 5 cycles, then trip the line in (b) and remove fault.
51	FLT_51_Cunningham_PotashJct_230kV_3PH	3 phase fault on the Cunningham (527865) to Potash Jct (527963) 230kV line, near Cunningham. a. Apply fault at the Cunningham 230kV bus. b. Clear fault after 5 cycles by tripping the faulted line. c. Wait 20 cycles, and then re-close the line in (b) back into the fault. d. Leave fault on for 5 cycles, then trip the line in (b) and remove fault.

Table III-1: Contingencies Evaluated

Cont. No.	Contingency Name	Description
52	FLT_52_Kiowa_Roadrunner_345kV_3PH	3 phase fault on the Kiowa (527965) to Roadrunner (528027) 345kV line, near Kiowa. a. Apply fault at the Kiowa 345kV bus. b. Clear fault after 5 cycles by tripping the faulted line. c. Wait 20 cycles, and then re-close the line in (b) back into the fault. d. Leave fault on for 5 cycles, then trip the line in (b) and remove fault.
53	FLT_53_Kiowa_NLovPlt_345kV_3PH	3 phase fault on the Kiowa (527965) to N Lovington (528185) 345kV line, near Kiowa. a. Apply fault at the Kiowa 345kV bus. b. Clear fault after 5 cycles by tripping the faulted line. c. Wait 20 cycles, and then re-close the line in (b) back into the fault. d. Leave fault on for 5 cycles, then trip the line in (b) and remove fault.
54	FLT_54_Andrews_Andrews_230_115kV_3PH	3 phase fault on the Andrews 230kV (528604) / 115kV (528602) / 13.2kV (528601) transformer circuit #1, near Andrews 230kV. a. Apply fault at the Andrews 230kV bus. b. Clear fault after 5 cycles by tripping the faulted transformer.
55	FLT_55_Hobbs_Hobbs_345_230kV_3PH	3 phase fault on the Hobbs 345kV (527896) / 230kV (527894) / 13.2kV (527895) transformer circuit #1, near Hobbs 345kV. a. Apply fault at the Hobbs 345kV bus. b. Clear fault after 5 cycles by tripping the faulted transformer.
56	FLT_56_Hobbs_Hobbs_230_115kV_3PH	3 phase fault on the Hobbs 230kV (527894) / 115kV (527891) / 13.2kV (527890) transformer circuit #1, near Hobbs 230kV. a. Apply fault at the Hobbs 230kV bus. b. Clear fault after 5 cycles by tripping the faulted transformer.
57	FLT_57_Cunningham_Cunningham_230_115kV_3PH	3 phase fault on the Cunningham 230kV (527865) / 115kV (527864) / 13.2kV (527863) transformer circuit #1, near Cunningham 230kV. a. Apply fault at the Cunningham 230kV bus. b. Clear fault after 5 cycles by tripping the faulted transformer.
58	FLT_58_Kiowa_PotashJct_345_115kV_3PH	3 phase fault on the Kiowa 345kV (527965) / 115kV (527962) / 13.2kV (527964) transformer circuit #1, near Kiowa 345kV. a. Apply fault at the Kiowa 345kV bus. b. Clear fault after 5 cycles by tripping the faulted transformer.
59	FLT_59_Roadrunner_Roadrunner_345_115kV_3PH	3 phase fault on the Roadrunner 345kV (528027) / 115kV (528025) / 13.2kV (528023) transformer circuit #1, near Roadrunner 345kV. a. Apply fault at the Roadrunner 345kV bus. b. Clear fault after 5 cycles by tripping the faulted transformer.
60	FLT_60_EddySouth_EddyNorth_230_115kV_3PH	3 phase fault on the Eddy South 230kV (527800) / 115kV (527798) / 13.2kV (527797) transformer circuit #1, near Eddy South 230kV. a. Apply fault at the Eddy South 230kV bus. b. Clear fault after 5 cycles by tripping the faulted transformer.
61	FLT_61_EddyNorth_EddyCounty_230_345kV_3PH	3 phase fault on the Eddy North 230kV (527799) / 345kV (527802) / 13.2kV (527796) transformer circuit #1, near Eddy North 230kV. a. Apply fault at the Eddy North 230kV bus. b. Clear fault after 5 cycles by tripping the faulted transformer.
62	FLT_62_PotashJct_PotashJct_230_115kV_3PH	3 phase fault on the Potash Jct 230kV (527963) / 115kV (527962) / 13.2kV (527958) transformer circuit #1, near the Potash Jct 230kV. a. Apply fault at the the Potash Jct 230kV bus. b. Clear fault after 5 cycles by tripping the faulted transformer.

Table III-1: Contingencies Evaluated

Cont. No.	Contingency Name	Description
63	FLT_63_EddySouth_7Rivers_230kV_3PH	3 phase fault on the Eddy South (527800) to 7 Rivers (528095) 230kV line, near Eddy South. a. Apply fault at the Eddy South 230kV bus. b. Clear fault after 5 cycles by tripping the faulted line. c. Wait 20 cycles, and then re-close the line in (b) back into the fault. d. Leave fault on for 5 cycles, then trip the line in (b) and remove fault.
64	FLT_64_EddyNorth_ChavesCounty_230kV_3PH	3 phase fault on the Eddy North (527799) to Chaves County (527483) 230kV line, near Eddy North. a. Apply fault at the Eddy North 230kV bus. b. Clear fault after 5 cycles by tripping the faulted line. c. Wait 20 cycles, and then re-close the line in (b) back into the fault. d. Leave fault on for 5 cycles, then trip the line in (b) and remove fault.
65	FLT_65_PotashJct_Pecos_230kV_3PH	3 phase fault on the Potash Jct (527963) to Pecos (528719) 230kV line, near Potash Jct. a. Apply fault at the Potash Jct 230kV bus. b. Clear fault after 5 cycles by tripping the faulted line. c. Wait 20 cycles, and then re-close the line in (b) back into the fault. d. Leave fault on for 5 cycles, then trip the line in (b) and remove fault.
66	FLT_66_Yoakum_Hobbs24SP_345kV_3PH (2024SP only)	3 phase fault on the Yoakum (526936) to Hobbs (527896) 345kV line, near Yoakum. a. Apply fault at the Yoakum 345kV bus. b. Clear fault after 5 cycles by tripping the faulted line. c. Wait 20 cycles, and then re-close the line in (b) back into the fault. d. Leave fault on for 5 cycles, then trip the line in (b) and remove fault.
67	FLT_67_Yoakum_Tuco24SP_345kV_3PH (2024SP only)	3 phase fault on the Yoakum (526936) to Tuco (525832) 345kV line, near Yoakum. a. Apply fault at the Yoakum 345kV bus. b. Clear fault after 5 cycles by tripping the faulted line. c. Wait 20 cycles, and then re-close the line in (b) back into the fault. d. Leave fault on for 5 cycles, then trip the line in (b) and remove fault.
68	FLT_68_Yoakum_Yoakum24SP_345_230kV_3PH (2024SP only)	3 phase fault on the Yoakum 345kV (526936) / 230kV (526935) / 13.2kV (526937) transformer circuit 1, near Yoakum 345kV. a. Apply fault at the Yoakum 345kV bus. b. Clear fault after 5 cycles by tripping the faulted transformer.

Results

The stability analysis was performed and the results are summarized in Table III-2. No Transmission system stability issues were observed. The stability plots will be available upon request.

During the analysis it was observed that certain contingencies would cause post fault low voltages in the Roadrunner, Battle Axe, and China Draw region. For example, Fault 52 (Kiowa to Roadrunner 345kV outage) would cause excessively low post fault voltages. A base case analysis showed that this is a prior existing condition, and therefore, cannot be attributed to the addition of GEN-2014-012. It was observed that the addition of GEN-2014-012 provided a slight improvement in the post fault voltages in the region. However, the voltages in the Roadrunner, Battle Axe and China Draw

region remain excessively low after certain contingencies. HPILS load additions in this area appear to be the cause of the excessively low voltages. Additional reactive compensation in this area in the form of capacitor banks and/or Static Var compensators (SVC) may be required to serve the load.

Table III-2: Stability Analysis Results

Contingency Number and Name		2019WP	2019SP	2024SP
1	FLT_01_SPErskine_Indiana_115kV_3PH	STABLE	STABLE	STABLE
2	FLT_02_SPErskine_Carlisle_115kV_3PH	STABLE	STABLE	STABLE
3	FLT_03_Tuco_HaleCounty_115kV_3PH	STABLE	STABLE	STABLE
4	FLT_04_Tuco_FloydCounty_115kV_3PH	STABLE	STABLE	STABLE
5	FLT_05_Tuco_StantonWest_115kV_3PH	STABLE	STABLE	STABLE
6	FLT_06_Tuco_LubbockWest_115kV_3PH	STABLE	STABLE	STABLE
7	FLT_07_Tuco_Border_345kV_3PH	STABLE	STABLE	STABLE
8	FLT_08_Tuco_OKU_345kV_3PH	STABLE	STABLE	STABLE
9	FLT_09_Tuco_Swisher_230kV_3PH	STABLE	STABLE	STABLE
10	FLT_10_Tuco_TolkEast_230kV_3PH	STABLE	STABLE	STABLE
11	FLT_11_Tuco_Jones_230kV_3PH	STABLE	STABLE	STABLE
12	FLT_12_Tuco_Tuco_230_115kV_3PH	STABLE	STABLE	STABLE
13	FLT_13_Tuco_Tuco_230_345kV_3PH	STABLE	STABLE	STABLE
14	FLT_14_Jones_LPHolly_230kV_3PH	STABLE	STABLE	STABLE
15	FLT_15_Jones_LubbockSouth_230kV_3PH	STABLE	STABLE	STABLE
16	FLT_16_Jones_LubbockEast_230kV_3PH	STABLE	STABLE	STABLE
17	FLT_17_Jones_Grassland_230kV_3PH	STABLE	STABLE	STABLE
18	FLT_18_Border_Woodward_345kV_3PH	STABLE	STABLE	STABLE
19	FLT_19_Carlisle_LPDoudTap_115kV_3PH	STABLE	STABLE	STABLE
20	FLT_20_Carlisle_Murphy_115kV_3PH	STABLE	STABLE	STABLE
21	FLT_21_Carlisle_LPMilwaukee_230kV_3PH	STABLE	STABLE	STABLE
22	FLT_22_Carlisle_Tuco_230kV_3PH	STABLE	STABLE	STABLE
23	FLT_23_Carlisle_Carlisle_115_230kV_3PH	STABLE	STABLE	STABLE
24	FLT_24_Tuco_Tuco_115_230kV_3PH	STABLE	STABLE	STABLE
25	FLT_25_LPMilwaukee_LPMilwaukee_230_69kV_3PH	STABLE	STABLE	STABLE
26	FLT_26_Yoakum_TolkWest_230kV_3PH	STABLE	STABLE	STABLE
27	FLT_27_Yoakum_AmocoSS_230kV_3PH	STABLE	STABLE	STABLE
28	FLT_28_Yoakum_OxyBruTap_230kV_3PH	STABLE	STABLE	STABLE
29	FLT_29_Yoakum_Mustang_230kV_3PH	STABLE	STABLE	STABLE
30	FLT_30_Yoakum_Hobbs_230kV_3PH	STABLE	STABLE	STABLE
31	FLT_31_Yoakum_Yoakum_230_115kV_3PH	STABLE	STABLE	STABLE
32	FLT_32_GainesPlant_Hobbs_230kV_3PH	STABLE	STABLE	STABLE
33	FLT_33_GainesPlant_Andrews_230kV_3PH	STABLE	STABLE	STABLE
34	FLT_34_NationalEnrich_Andrews_115kV_3PH	STABLE	STABLE	STABLE
35	FLT_35_NationalEnrich_Drinkard_115kV_3PH	STABLE	STABLE	STABLE
36	FLT_36_NationalEnrich_Targa_115kV_3PH	STABLE	STABLE	STABLE
37	FLT_37_DrinkardTap_HobbsWest_115kV_3PH	STABLE	STABLE	STABLE
38	FLT_38_DrinkardTap_Eunice_115kV_3PH	STABLE	STABLE	STABLE
39	FLT_39_NatEnrichTap_Lagarto_115kV_3PH	STABLE	STABLE	STABLE
40	FLT_40_NatEnrichTap_Teague_115kV_3PH	STABLE	STABLE	STABLE
41	FLT_41_NatEnrichTap_Targa_115kV_3PH	STABLE	STABLE	STABLE
42	FLT_42_Hobbs_Kiowa_345kV_3PH	STABLE	STABLE	STABLE
43	FLT_43_Hobbs_Yoakum_230kV_3PH	STABLE	STABLE	STABLE

Table III-2: Stability Analysis Results

	Contingency Number and Name	2019WP	2019SP	2024SP
44	FLT_44_Hobbs_Cunningham_230kV_3PH	STABLE	STABLE	STABLE
45	FLT_45_Hobbs_Higg_115kV_3PH	STABLE	STABLE	STABLE
46	FLT_46_Hobbs_Cunningham_115kV_3PH	STABLE	STABLE	STABLE
47	FLT_47_Hobbs_LELovington_115kV_3PH	STABLE	STABLE	STABLE
48	FLT_48_Hobbs_Maddox_115kV_3PH	STABLE	STABLE	STABLE
49	FLT_49_Hobbs_Millen_115kV_3PH	STABLE	STABLE	STABLE
50	FLT_50_Cunningham_EddySouth_230kV_3PH	STABLE	STABLE	STABLE
51	FLT_51_Cunningham_PotashJct_230kV_3PH	STABLE	STABLE	STABLE
52	FLT_52_Kiowa_Roadrunner_345kV_3PH	STABLE	STABLE	STABLE
53	FLT_53_Kiowa_NLovPlt_345kV_3PH	STABLE	STABLE	STABLE
54	FLT_54_Andrews_Andrews_230_115kV_3PH	STABLE	STABLE	STABLE
55	FLT_55_Hobbs_Hobbs_345_230kV_3PH	STABLE	STABLE	STABLE
56	FLT_56_Hobbs_Hobbs_230_115kV_3PH	STABLE	STABLE	STABLE
57	FLT_57_Cunningham_Cunningham_230_115kV_3PH	STABLE	STABLE	STABLE
58	FLT_58_Kiowa_PotashJct_345_115kV_3PH	STABLE	STABLE	STABLE
59	FLT_59_Roadrunner_Roadrunner_345_115kV_3PH	STABLE	STABLE	STABLE
60	FLT_60_EddySouth_EddyNorth_230_115kV_3PH	STABLE	STABLE	STABLE
61	FLT_61_EddyNorth_EddyCounty_230_345kV_3PH	STABLE	STABLE	STABLE
62	FLT_62_PotashJct_PotashJct_230_115kV_3PH	STABLE	STABLE	STABLE
63	FLT_63_EddySouth_7Rivers_230kV_3PH	STABLE	STABLE	STABLE
64	FLT_64_EddyNorth_ChavesCounty_230kV_3PH	STABLE	STABLE	STABLE
65	FLT_65_PotashJct_Pecos_230kV_3PH	STABLE	STABLE	STABLE
66	FLT_66_Yoakum_Hobbs24SP_345kV_3PH (2024SP only)	STABLE	STABLE	STABLE
67	FLT_67_Yoakum_Tuco24SP_345kV_3PH (2024SP only)	STABLE	STABLE	STABLE
68	FLT_68_Yoakum_Yoakum24SP_345_230kV_3PH (2024SP only)	STABLE	STABLE	STABLE

FERC LVRT Compliance

FERC Order #661A places specific requirements on wind farms through its Low Voltage Ride Through (LVRT) provisions. For Interconnection Agreements signed after December 31, 2006, wind farms shall stay on line for faults at the POI that draw the voltage down at the POI to 0.0 pu.

LVRT compliance was not restudied for this analysis. Please refer to DISIS-2014-001 for LVRT compliance for wind farms.

IV. Conclusion

DISIS-2014-001 Interconnection Customers have requested an Impact Study to determine the impacts of interconnecting generation to the SPP Transmission System.

With all Base Case Network Upgrades in service, previously assigned Network Upgrades in service, and the newly assigned Network Upgrades in service, the Group 6 projects were found to remain stable and no generators tripped off line. Additionally, the power factor analysis conducted in DISIS-2014-001 remains valid for the projects in this restudy.

Any changes to the assumptions made in this study, for example, one or more of the previously queued requests withdraw, may require a re-study at the expense of the Customer.

Nothing in this System Impact Study constitutes a request for transmission service or confers upon the Interconnection Customer any right to receive transmission service.

Appendix A: 2019 Winter Peak Stability Plots

(Available on request)

Appendix B: 2019 Summer Peak Stability Plots

(Available on request)

Appendix C: 2024 Summer Peak Stability Plots

(Available on request)

L: Group 8 Dynamic Stability Analysis Report

No report for this study iteration.

M: Group 9 Dynamic Stability Analysis Report

No report for this study iteration.

N: Group 13 Dynamic Stability Analysis Report

No report for this study iteration.