

GEN-2010-005
Impact Restudy for
Generator Modification
(Turbine Change)

March 2017
Generator Interconnection



Revision History

Date	Author	Change Description
3/6/2017	SPP	GEN-2010-005 Impact Restudy for Generator Modification Report Issued

Executive Summary

The GEN-2010-005 Interconnection Customer has requested a modification to its Generator Interconnection Request to change wind turbine generators for its Phase II construction of the project. Originally, Phase I and Phase II consisted of one-hundred eighty-seven (187) GE 1.6MW wind turbines for a total 299.2 MW. The requested change is one hundred seven (107) GE 1.6MW wind turbines in Phase I which is in commercial operation and sixty-four (64) Vestas V110 2.0MW wind turbines in Phase II which is yet to be constructed. The total power remains at 299.2MW. The point of interconnection (POI) is the Westar Energy, Inc (WERE) Viola Substation 345kV.

The study models used were the 2016 winter, 2017 summer, and 2025 summer models that included Interconnection Requests through DISIS-2015-002.

Stability analysis has determined with all previously assigned Network Upgrades in service, generators in the monitored areas remained stable and within the pre-contingency, voltage recovery, and post fault voltage recovery criterion of 0.7pu to 1.2pu for the entire modeled disturbances. Additionally, the project wind farm was found to stay connected during the contingencies that were studied and, therefore, will meet the Low Voltage Ride Through (LVRT) requirements of FERC Order #661A.

Power factor analysis for each generation project was performed on the current study 2016 winter peak, 2017 summer peak, and 2025 summer peak cases with identified system upgrades. As reactive power is required for GEN-2010-005, the final requirement in the GIA will be the pro-forma 95% lagging to 95% leading at the point of interconnection.

A reduced generation analysis was conducted to determine reactor inductive amounts to compensate the capacitive effects on the transmission system during low or reduced wind conditions caused by the interconnecting project's generator lead transmission line and collector systems.

Short Circuit analysis was conducted using the current study upgrade 2017 summer peak and 2025 summer peak cases.

With the assumptions outlined in this report and with all the required network upgrades from the DISIS 2015-002 in place, GEN-2010-005 with the GE 1.6MW and Vestas V110 2.0MW wind turbine generators should be able to interconnect reliably to the SPP transmission grid.

It should be noted that this study analyzed the requested modification to change generator technology, manufacturer, and layout. Powerflow analysis was not performed. This study analyzed many of the most probable contingencies, but it is not an all-inclusive list and cannot account for every operational situation. It is likely that the customer may be required to reduce its generation output to 0 MW, also known as curtailment, under certain system conditions to allow system operators to maintain the reliability of the transmission network.

Nothing in this study should be construed as a guarantee of delivery or transmission service. If the customer wishes to sell power from the facility, a separate request for transmission service must be requested on Southwest Power Pool's OASIS by the Customer.

Table of Contents

Revision History	1
Executive Summary	i
Table of Contents	ii
1. Introduction	1
2. Facilities	4
3. Stability Analysis	5
Model Preparation	5
Disturbances	5
Results	16
FERC LVRT Compliance	17
4. Power Factor Analysis	19
Model Preparation	19
Disturbances	19
Results	19
5. Reduced Wind Generation Analysis	20
6. Short Circuit Analysis	21
Results	21
7. Conclusion	22
Appendix A – 2016 Winter Peak Stability Plots	23
Appendix B – 2017 Summer Peak Stability Plots	24
Appendix C – 2025 Summer Peak Stability Plots	25
Appendix D – Power Factor Analysis Results	26
Appendix E – Reduced Wind Generation Analysis Results	28
Appendix F – Short Circuit Analysis Results	30

1. Introduction

The GEN-2010-005 Interconnection Customer has requested a modification to its Generator Interconnection Request to change its Phase II generators from GE 1.6 MW wind turbines to Vestas 2.0 MW wind turbines. Originally, Phase I and Phase II consisted of one-hundred eighty-seven (187) GE 1.6MW wind turbines for a total 299.2 MW. The requested change is shown in **Table 1-1**.

Table 1-1: Interconnection Request

Request	Capacity (MW)	Generator Model	Point of Interconnection
GEN-2010-005	299.2	107 x GE 1.6 (Phase I) = 171.2MW, and 64 x Vestas V110 2.0 (Phase II) = 128.0MW	Viola 345kV (532798)

The POI is the WERE Viola Substation 345kV. Other queued generation projects in the model are listed in **Table 1-2**.

Table 1-2: Other Queued Interconnection Requests in the Model

Request	Capacity (MW)	Generator Model	Point of Interconnection
GEN-2002-004	199.5	GE 1.5MW	Latham 345kV (532800)
GEN-2005-013	199.8	Vestas V90 1.8MW	Caney River 345kV (532780)
GEN-2007-025	299.2	GE 1.6MW	Viola 345kV (532798)
GEN-2008-013	300	G.E. 1.68MW	Hunter 345kV (515476)
GEN-2008-021	1261 Summer 1283 Winter	GENROU	Wolf Creek 345kV (532797)
GEN-2008-098	100.8	Vestas V100 1.8MW	Tap on the Wolf Creek – LaCygne 345kV line (560004)
GEN-2009-025	59.8	Siemens 2.3MW	Tap on the Deerck – Sincklk 69kV line (515528)
GEN-2010-003	100.8	Vestas V100 1.8MW	Tap on the Wolf Creek – LaCygne 345kV line (560004)
GEN-2010-005	299.2	GE 1.6MW	Viola 345kV (532798)
ASGI-2010-006	150	GE1.5MW	Remington 138kV (301369)
GEN-2010-055	4.8	GENROU	Wekiwa 138kV (509757)
GEN-2011-057	150.4	GE 1.6MW	Creswell 138kV (532981)
GEN-2012-027	150.7	GE 1.62MW	Shidler 138kV (510403)
KCPL Distributed: Osawatomie	76.0	GENROU (543078)	Paola 161kV
GEN-2012-032	300	Vestas V112 3.0MW	Tap Rose Hill-Sooner 345kV (562318)
GEN-2012-033	98.8	GE 1.62MW	Tap Bunch Creek-South 4th 138kV(562303)
GEN-2012-040	76.5	GE 1.7MW	Chilocco 138kV (521198)
GEN-2012-041	85 Summer 121.5 Winter	GENROU	Tap Rose Hill-Sooner 345kV (562318)
GEN-2013-012	4 x 168.0MW Summer 4 x 215MW Winter	GENROU (514910) (514911) (514912) (514942)	Redbud 345kV (514909)
GEN-2013-028	516.4 Summer 559.5 Winter	GENROU (583743, 583746)	Tap on Tulsa N to GRDA1 345kV (562423)
GEN-2013-029	300	Vestas V100 VCSS 2MW (583753, 583756)	Renfrow 345kV(515543)
GEN-2014-001	200.6	GE 1.7MW 100m (583853,583856)	Tap Wichita to Emporia Energy Center 345kV (562476)

Table 1-2: Other Queued Interconnection Requests in the Model

Request	Capacity (MW)	Generator Model	Point of Interconnection
GEN-2014-028	35 (Uprate) (Pgen=259W/256S)	GENROU	Riverton 161kV (547469)
GEN-2014-064	248.4	GE 2.3MW	Otter 138kV (514708)
ASGI-2014-014	56.4W/54.3S	GENROU	Ferguson 69kV (512664)
GEN-2015-001	200.0	Vestas V110 2.0MW	Ranch Road 345kV
GEN-2015-015	154.6	Siemens 2.3MW with Power Boost (115kW => 2.415MW)	Tap Medford Tap – Coyote 138kV
GEN-2015-016	200.0	Vestas V110 2.0MW	Tap Centerville – Marmaton 161kV
GEN-2015-024	220.0	GE 2.0MW	Tap on Thistle to Wichita 345kV, ckt1&2 (560033)
GEN-2015-025	220.0	GE 2.0MW	Tap on Thistle to Wichita 345kV, ckt1&2 (560033)
GEN-2015-028	3.0 uprate to GEN- 2009-025 for total 62.8MW	Siemens 2.3MW with Power Boost (115kW => 2.415MW)	Nardins 69kV
GEN-2015-030	200.1	GE 2.3MW	Sooner 345kV
ASGI-2015-004	54.300 Summer 56.364 Winter	GENSAL	Coffeyville Municipal Light & Power Northern Industrial Park Substation 69kV (512735)
GEN-2015-034	200	Vestas V112- 2MW (wind)	Ranch Road 345kV (515576)
GEN-2015-047	300	Vestas V110-2MW (wind)	Sooner 345kV Tap (514803)
GEN-2015-052	300	Vestas V110-2MW (wind)	Tap on Opensky (515621) to RoseHill (532794) 345 kV (560053)
GEN-2015-062	4.5	G.E. 1.79MW (wind)	Breckenridge 138kV (514815)
GEN-2015-063	300	Vestas V110-2MW (wind)	Tap on Woodring (514715) to Matthewson (515497) 345 kV (560055)
GEN-2015-066	248	G.E. 2.3MW (wind)	Tap on Cleveland (512694) to Sooner (514803) 345 kV (560056)
GEN-2015-067	150	PV inverter user model (solar)	Sooner 138kV (514802)
GEN-2015-069	300	Vestas V110-2MW (wind)	Union Ridge 230kV (532874)
GEN-2015-073	200.1	Siemens 2.3MW (wind)	Emporia/Lang 345kV (532768)
GEN-2015-083	125	G.E. 2.3MW (wind)	Belle Plain 138kV (533063)
GEN-2015-090	220	G.E. 2MW (wind)	Wichita (532796)-Thistle (539801) 345kV Tap (GEN- 2015-024 (560033) 345kV)

A stability analysis was performed for the change in wind turbines. The analysis was performed on three (3) seasonal models including 2016 winter peak (16WP), the 2017 summer peak (17SP), and the 2025 summer peak (25SP) cases. These cases are modified versions of the 2015 model series of Model Development Working Group (MDWG) dynamic study models that included upgrades and Interconnection Requests through DISIS-2015-002.

The stability analysis determines the impacts of the new interconnecting project on the stability and voltage recovery of the nearby systems and the ability of the interconnecting project to meet FERC Order 661A. If problems with stability or voltage recovery are identified, the need for reactive compensation or system upgrades is investigated. The contingencies listed in **Table 3-1** were used in the stability analysis.

The power factor analysis determines the power factor at the point of interconnection (POI) for the wind interconnection projects for pre-contingency and post-contingency conditions. The contingencies used in the power factor analysis are a subset of the stability analysis contingencies shown in **Table 3-1**.

A reduced (low wind/no wind) generation analysis was performed to determine reactor inductive amounts to compensate for the capacitive effects on the transmission system caused by the interconnecting project's generator lead transmission line and collector systems during low or reduced wind conditions.

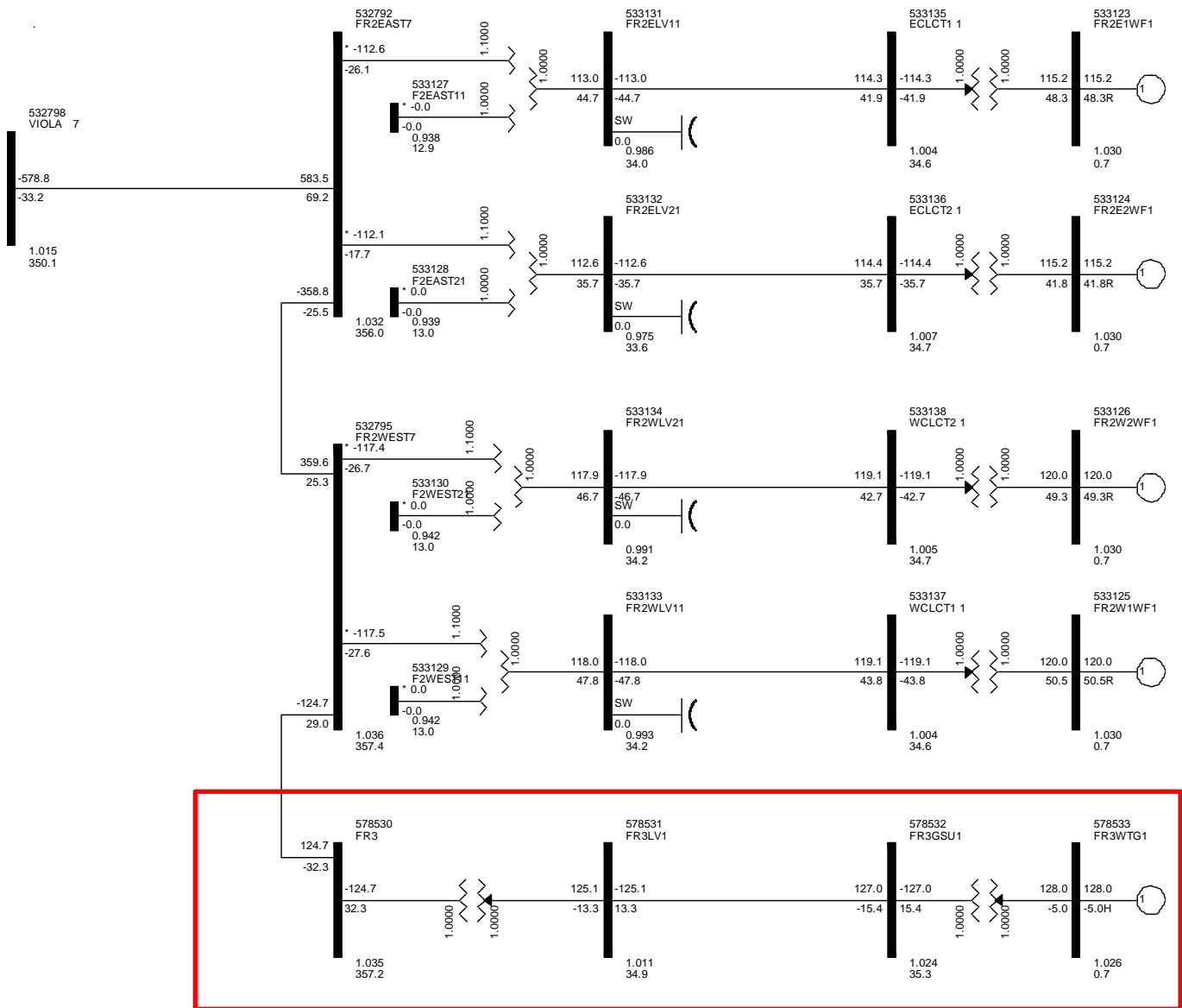
Short Circuit analysis was conducted using the current study upgrade 2017 summer peak and 2025 summer peak cases. The results from the Short circuit analysis are shown in Appendix F.

Nothing in this System Impact Study constitutes a request for transmission service or grants the Interconnection Customer any rights to transmission service. If the customer wishes to sell power from the facility, a separate request for transmission service must be requested on Southwest Power Pool's OASIS by the Customer.

2. Facilities

A one-line PSS/E slider drawing from the 16WP case is shown in **Figure 2-1** for GEN-2010-005. GEN-2007-025 has been included in the one-line because it is owned by the interconnection customer and GEN-2010-005 interconnects to the POI through GEN-2007-025. Phase II of GEN-2010-005 is shown in the red box in the one-line.

Figure 2-1: GEN-2010-005 (and GEN-2007-025) One-line Diagram



3. Stability Analysis

Transient stability analysis is used to determine if the transmission system can maintain angular stability and ensure bus voltages stay within planning criteria bandwidth during and after a disturbance while considering the addition of a generator interconnection request.

Model Preparation

Transient stability analysis was performed using modified versions of the 2015 series of Model Development Working Group (MDWG) dynamic study models including the 2016 winter peak, 2017 summer peak, and the 2025 summer peak seasonal models. The cases are then loaded with prior queued interconnection requests and network upgrades assigned to those interconnection requests. Finally the prior queued and study generation are dispatched into the SPP footprint. Initial simulations are then carried out for a no-disturbance run of twenty (20) seconds to verify the numerical stability of the model.

Disturbances

Ninety (90) contingencies were identified for use in this study and are listed in **Table 3-1**. These contingencies are faults at locations defined by SPP Generation Interconnection Staff. These contingencies include three-phase and single-phase N-1. Single-phase line faults were simulated by applying fault impedance to the positive sequence network at the fault location to represent the effect of the negative and zero sequence networks on the positive sequence network. The fault impedance was computed to give a positive sequence voltage at the specified fault location of approximately 60% of pre-fault voltage. This method is in agreement with SPP current practice.

Except for transformer faults, the typical sequence of events for a three-phase and single-phase fault is as follows:

1. apply fault at particular location
2. continue fault for five (5) cycles, clear the fault by tripping the faulted facility
3. after an additional twenty (20) cycles, re-close the previous facility back into the fault
4. continue fault for five (5) additional cycles
5. trip the faulted facility and remove the fault

Transformer faults are typically modeled as three-phase faults, unless otherwise noted. The sequence of events for a transformer fault is as follows:

1. apply fault for five (5) cycles
2. clear the fault by tripping the affected transformer facility (unless otherwise noted there will be no re-closing into a transformer fault)

The SPP areas monitored during the stability analysis were:

- 520: American Electric Power (AEPW)
- 524: Oklahoma Gas and Electric Company (OKGE)
- 525: Western Farmers Electric Cooperative (WFEC)
- 526: Southwestern Public Service (SPS)

- 531: Midwest Energy, Inc. (MIDW)
- 534: Sunflower Electric Power Corp. (SUNC)
- 536: Westar Energy, Inc. (WERE)
- 541: Kansas City Power and Light (KCPL)

Table 3-1: Contingencies Evaluated

Cont. No.	Contingency Name	Description
0	FLT_000_NOFAULT	No Fault Conditions
1	FLT_01_Viola_Renfrow_345kV_3PH	3 phase fault on the Viola (532798) to Renfrow (515543) 345kV line, near Viola. a. Apply fault at the Viola 345kV bus. b. Clear fault after 5 cycles by tripping the faulted line. c. Wait 20 cycles, and then re-close the line in (b) back into the fault. d. Leave fault on for 5 cycles, then trip the line in (b) and remove fault.
2	FLT_02_Viola_Wichita_345kV_3PH	3 phase fault on the Viola (532798) to Wichita (532796) 345kV line, near Viola. a. Apply fault at the Viola 345kV bus. b. Clear fault after 5 cycles by tripping the faulted line. c. Wait 20 cycles, and then re-close the line in (b) back into the fault. d. Leave fault on for 5 cycles, then trip the line in (b) and remove fault.
3	FLT_03_Renfrow_Hunter_345kV_3PH	3 phase fault on the Renfrow (515543) to Hunter (515476) 345kV line, near Renfrow. a. Apply fault at the Renfrow 345kV bus. b. Clear fault after 5 cycles by tripping the faulted line. c. Wait 20 cycles, and then re-close the line in (b) back into the fault. d. Leave fault on for 5 cycles, then trip the line in (b) and remove fault.
4	FLT_04_Renfrow_Renfrow_345_138kV_3PH	3 phase fault on the Renfrow 345kV (515543) to Renfrow 138kV (515544) to Renfrow 13.8kV (515545) transformer, near Renfrow 345kV. a. Apply fault at the Renfrow 345kV bus. b. Clear fault after 5 cycles by tripping the faulted transformer.
5	FLT_05_Hunter_Woodring_345kV_3PH	3 phase fault on the Hunter (515476) to Woodring (514715) 345kV line, near Hunter. a. Apply fault at the Hunter 345kV bus. b. Clear fault after 5 cycles by tripping the faulted line. c. Wait 20 cycles, and then re-close the line in (b) back into the fault. d. Leave fault on for 5 cycles, then trip the line in (b) and remove fault.
6	FLT_06_Woodring_Sooner_345kV_3PH	3 phase fault on Woodring (514715) to Sooner (514803) 345kV line, near Woodring. a. Apply fault at the Woodring 345kV bus. b. Clear fault after 5 cycles by tripping the faulted line. c. Wait 20 cycles, and then re-close the line in (b) back into the fault. d. Leave fault on for 5 cycles, then trip the line in (b) and remove fault.
7	FLT_07_Woodring_G15063Tap_345kV_3PH	3 phase fault on Woodring (514715) to G1506Tap (560055) 345kV line, near Woodring. a. Apply fault at the Woodring 345kV bus. b. Clear fault after 5 cycles by tripping the faulted line. c. Wait 20 cycles, and then re-close the line in (b) back into the fault. d. Leave fault on for 5 cycles, then trip the line in (b) and remove fault.
8	FLT_08_Woodring_Woodring_345_138kV_3PH	3 phase fault on the Woodring 345kV (514715) to Woodring 138kV (514714) to Woodring 13.8kV (515770) transformer, near Woodring 345kV. a. Apply fault at the Woodring 345kV bus. b. Clear fault after 5 cycles by tripping the faulted transformer.
9	FLT_09_Mathewson_Northwest_345kV_3PH	3 phase fault on the Mathewson (515497) to Northwest (514880) 345kV line, near Mathewson. a. Apply fault at the Mathewson 345kV bus. b. Clear fault after 5 cycles by tripping the faulted line. c. Wait 20 cycles, and then re-close the line in (b) back into the fault. d. Leave fault on for 5 cycles, then trip the line in (b) and remove fault.

Table 3-1: Contingencies Evaluated

Cont. No.	Contingency Name	Description
10	FLT_10_Mathewson_Cimarron_345kV_3PH	3 phase fault on the Mathewson (515497) to Cimarron (514901) 345kV line, near Mathewson. a. Apply fault at the Mathewson 345kV bus. b. Clear fault after 5 cycles by tripping the faulted line. c. Wait 20 cycles, and then re-close the line in (b) back into the fault. d. Leave fault on for 5 cycles, then trip the line in (b) and remove fault.
11	FLT_11_Mathewson_Tatonga_345kV_3PH	3 phase fault on the Mathewson (515497) to Tatonga (515407) 345kV line, near Mathewson. a. Apply fault at the Mathewson 345kV bus. b. Clear fault after 5 cycles by tripping the faulted line. c. Wait 20 cycles, and then re-close the line in (b) back into the fault. d. Leave fault on for 5 cycles, then trip the line in (b) and remove fault.
12	FLT_12_Sooner_SpringCreek_345kV_3PH	3 phase fault on the Sooner (514803) to Spring Creek (514881) 345kV line, near Sooner. a. Apply fault at the Sooner 345kV bus. b. Clear fault after 5 cycles by tripping the faulted line. c. Wait 20 cycles, and then re-close the line in (b) back into the fault. d. Leave fault on for 5 cycles, then trip the line in (b) and remove fault.
13	FLT_13_Sooner_G15066T_345kV_3PH	3 phase fault on the Sooner (514803) to G15066T (560056) 345kV line, near Sooner. a. Apply fault at the Sooner 345kV bus. b. Clear fault after 5 cycles by tripping the faulted line. c. Wait 20 cycles, and then re-close the line in (b) back into the fault. d. Leave fault on for 5 cycles, then trip the line in (b) and remove fault.
14	FLT_14_Sooner_Sooner_345_138kV_3PH	3 phase fault on the Sooner 345kV (514803) to Sooner 138kV (514802) to Sooner 13.8kV (515760) transformer, near Sooner 345kV. a. Apply fault at the Sooner 345kV bus. b. Clear fault after 5 cycles by tripping the faulted transformer.
15	FLT_15_RanchRoad_Sooner_345kV_3PH	3 phase fault on the Ranch Road (515576) to Sooner (514803) 345kV line, near Ranch Road. a. Apply fault at the Ranch Road 345kV bus. b. Clear fault after 5 cycles by tripping the faulted line. c. Wait 20 cycles, and then re-close the line in (b) back into the fault. d. Leave fault on for 5 cycles, then trip the line in (b) and remove fault.
16	FLT_16_RanchRoad_OpenSky_345kV_3PH	3 phase fault on the Ranch Road (515576) to Open Sky (515621) 345kV line, near Ranch Road. a. Apply fault at the Ranch Road 345kV bus. b. Clear fault after 5 cycles by tripping the faulted line. c. Wait 20 cycles, and then re-close the line in (b) back into the fault. d. Leave fault on for 5 cycles, then trip the line in (b) and remove fault.
17	FLT_17_Rosehill_Benton_345kV_3PH	3 phase fault on the Rosehill (532794) to Benton (532791) 345kV line, near Rosehill. a. Apply fault at the Rosehill 345kV bus. b. Clear fault after 5 cycles by tripping the faulted line. c. Wait 20 cycles, and then re-close the line in (b) back into the fault. d. Leave fault on for 5 cycles, then trip the line in (b) and remove fault.
18	FLT_18_Rosehill_WolfCreek_345kV_3PH	3 phase fault on the Rosehill (532794) to Wolf Creek (532797) 345kV line, near Rosehill. a. Apply fault at the Rosehill 345kV bus. b. Clear fault after 5 cycles by tripping the faulted line. c. Wait 20 cycles, and then re-close the line in (b) back into the fault. d. Leave fault on for 5 cycles, then trip the line in (b) and remove fault.

Table 3-1: Contingencies Evaluated

Cont. No.	Contingency Name	Description
19	FLT_19_Rosehill_Latham_345kV_3PH	3 phase fault on the Rosehill (532794) to Latham (532800) 345kV line, near Rosehill. a. Apply fault at the Rosehill 345kV bus. b. Clear fault after 5 cycles by tripping the faulted line. c. Wait 20 cycles, and then re-close the line in (b) back into the fault. d. Leave fault on for 5 cycles, then trip the line in (b) and remove fault.
20	FLT_20_Rosehill_G15052T_345kV_3PH	3 phase fault on the Rosehill (532794) to G15052T (560053) 345kV line, near Rosehill. a. Apply fault at the Rosehill 345kV bus. b. Clear fault after 5 cycles by tripping the faulted line. c. Wait 20 cycles, and then re-close the line in (b) back into the fault. d. Leave fault on for 5 cycles, then trip the line in (b) and remove fault.
21	FLT_21_Rosehill_Rosehill_345_138kV_3PH	3 phase fault on the Rosehill 345kV (532794) to Rosehill 138kV (533062) to Rosehill 13.8kV (532831) transformer, near Rosehill 345kV. a. Apply fault at the Rosehill 345kV bus. b. Clear fault after 5 cycles by tripping the faulted transformer.
22	FLT_22_Northwest_SpringCreek_345kV_3PH	3 phase fault on the Northwest (514880) to Spring Creek (514881) 345kV line, near Northwest. a. Apply fault at the Northwest 345kV bus. b. Clear fault after 5 cycles by tripping the faulted line. c. Wait 20 cycles, and then re-close the line in (b) back into the fault. d. Leave fault on for 5 cycles, then trip the line in (b) and remove fault.
23	FLT_23_Northwest_Cimarron_345kV_3PH	3 phase fault on the Northwest (514880) to Cimarron (514901) 345kV line, near Northwest. a. Apply fault at the Northwest 345kV bus. b. Clear fault after 5 cycles by tripping the faulted line. c. Wait 20 cycles, and then re-close the line in (b) back into the fault. d. Leave fault on for 5 cycles, then trip the line in (b) and remove fault.
24	FLT_24_Northwest_Arcadia_345kV_3PH	3 phase fault on the Northwest (514880) to Arcadia (514908) 345kV line, near Northwest. a. Apply fault at the Northwest 345kV bus. b. Clear fault after 5 cycles by tripping the faulted line. c. Wait 20 cycles, and then re-close the line in (b) back into the fault. d. Leave fault on for 5 cycles, then trip the line in (b) and remove fault.
25	FLT_25_Northwest_Northwest_345_138kV_3PH	3 phase fault on the Northwest 345kV (514880) to Northwest 138kV (514879) to Northwest 13.8kV (515742) transformer, near Northwest 345kV. a. Apply fault at the Northwest 345kV bus. b. Clear fault after 5 cycles by tripping the faulted transformer.
26	FLT_26_Benton_WolfCreek_345kV_3PH	3 phase fault on the Benton (532791) to Wolf Creek (532796) 345kV line, near Benton. a. Apply fault at the Benton 345kV bus. b. Clear fault after 5 cycles by tripping the faulted line. c. Wait 20 cycles, and then re-close the line in (b) back into the fault. d. Leave fault on for 5 cycles, then trip the line in (b) and remove fault.
27	FLT_27_Benton_Benton_345_138kV_3PH	3 phase fault on the Benton 345kV (532791) to Benton 138kV (532986) to Benton 13.8kV (532821) transformer, near Benton 345kV. a. Apply fault at the Benton 345kV bus. b. Clear fault after 5 cycles by tripping the faulted transformer.
28	FLT_28_Wichita_Reno_345kV_3PH	3 phase fault on the Wichita (532796) to Reno (532771) 345kV line, near Wichita. a. Apply fault at the Wichita 345kV bus. b. Clear fault after 5 cycles by tripping the faulted line. c. Wait 20 cycles, and then re-close the line in (b) back into the fault. d. Leave fault on for 5 cycles, then trip the line in (b) and remove fault.

Table 3-1: Contingencies Evaluated

Cont. No.	Contingency Name	Description
29	FLT_29_Wichita_Benton_345kV_3PH	3 phase fault on the Wichita (532796) to Benton (532791) 345kV line, near Wichita. a. Apply fault at the Wichita 345kV bus. b. Clear fault after 5 cycles by tripping the faulted line. c. Wait 20 cycles, and then re-close the line in (b) back into the fault. d. Leave fault on for 5 cycles, then trip the line in (b) and remove fault.
30	FLT_30_Wichita_G1524&1525T_345kV_3PH	3 phase fault on the Wichita (532796) to G1525&G1525T (560033) 345kV line, near Wichita. a. Apply fault at the Wichita 345kV bus. b. Clear fault after 5 cycles by tripping the faulted line. c. Wait 20 cycles, and then re-close the line in (b) back into the fault. d. Leave fault on for 5 cycles, then trip the line in (b) and remove fault.
31	FLT_31_Wichita_Evans_345_138kV_3PH	3 phase fault on the Wichita 345kV (532796) to Evans 138kV (533040) to Evans 13.8kV (532830) transformer, near Wichita 345kV. a. Apply fault at the Wichita 345kV bus. b. Clear fault after 5 cycles by tripping the faulted transformer.
32	FLT_32_Thistle_G1524&1525T_345kV_3PH	3 phase fault on the Thistle (539801) to G1524&G1525T (560033) 345kV line, near Thistle. a. Apply fault at the Thistle 345kV bus. b. Clear fault after 5 cycles by tripping the faulted line. c. Wait 20 cycles, and then re-close the line in (b) back into the fault. d. Leave fault on for 5 cycles, then trip the line in (b) and remove fault.
33	FLT_33_Thistle_Woodward_345kV_3PH	3 phase fault on the Thistle (539801) to Woodward (515375) 345kV line, near Thistle. a. Apply fault at the Thistle 345kV bus. b. Clear fault after 5 cycles by tripping the faulted line. c. Wait 20 cycles, and then re-close the line in (b) back into the fault. d. Leave fault on for 5 cycles, then trip the line in (b) and remove fault.
34	FLT_34_Thistle_ClarkCounty_345kV_3PH	3 phase fault on the Thistle (539801) to Clark County (539800) 345kV line, near Thistle. a. Apply fault at the Thistle 345kV bus. b. Clear fault after 5 cycles by tripping the faulted line. c. Wait 20 cycles, and then re-close the line in (b) back into the fault. d. Leave fault on for 5 cycles, then trip the line in (b) and remove fault.
35	FLT_35_Thistle_Thistle_345_138kV_3PH	3 phase fault on the Thistle 345kV (539801) to Thistle 138kV (539804) to Thistle 13.8kV (539802) transformer, near Thistle 345kV. a. Apply fault at the Thistle 345kV bus. b. Clear fault after 5 cycles by tripping the faulted transformer.
36	FLT_36_Reno_Summit_345kV_3PH	3 phase fault on the Reno (532771) to Summit (532773) 345kV line, near Reno. a. Apply fault at the Reno 345kV bus. b. Clear fault after 5 cycles by tripping the faulted line. c. Wait 20 cycles, and then re-close the line in (b) back into the fault. d. Leave fault on for 5 cycles, then trip the line in (b) and remove fault.
37	FLT_37_Reno_Reno_345_115kV_3PH	3 phase fault on the Reno 345kV (532771) to Reno 138kV (533416) to Reno 14.4kV (532807) transformer, near Reno 345kV. a. Apply fault at the Reno 345kV bus. b. Clear fault after 5 cycles by tripping the faulted transformer.
38	FLT_38_Summit_Blustem_345kV_3PH	3 phase fault on the Summit (532773) to Blustem (532767) 345kV line, near Summit. a. Apply fault at the Summit 345kV bus. b. Clear fault after 5 cycles by tripping the faulted line. c. Wait 20 cycles, and then re-close the line in (b) back into the fault. d. Leave fault on for 5 cycles, then trip the line in (b) and remove fault.

Table 3-1: Contingencies Evaluated

Cont. No.	Contingency Name	Description
39	FLT_39_Summit_ElmCreek_345kV_3PH	3 phase fault on the Summit (532773) to Elm Creek (539805) 345kV line, near Summit. a. Apply fault at the Summit 345kV bus. b. Clear fault after 5 cycles by tripping the faulted line. c. Wait 20 cycles, and then re-close the line in (b) back into the fault. d. Leave fault on for 5 cycles, then trip the line in (b) and remove fault.
40	FLT_40_Summit_Summit_345_230kV_3PH	3 phase fault on the Summit 345kV (532773) to Summit 230kV (532873) to Summit 14.4kV (432813) transformer, near Summit 345kV. a. Apply fault at the Summit 345kV bus. b. Clear fault after 5 cycles by tripping the faulted transformer.
41	FLT_41_EMPEC_Lang_345kV_3PH	3 phase fault on the EMPEC (532768) to Lang (532769) 345kV line, near EMPEC. a. Apply fault at the EMPEC 345kV bus. b. Clear fault after 5 cycles by tripping the faulted line. c. Wait 20 cycles, and then re-close the line in (b) back into the fault. d. Leave fault on for 5 cycles, then trip the line in (b) and remove fault.
42	FLT_42_EMPEC_Morris_345kV_3PH	3 phase fault on the EMPEC (532768) to Morris (532770) 345kV line, near EMPEC. a. Apply fault at the EMPEC 345kV bus. b. Clear fault after 5 cycles by tripping the faulted line. c. Wait 20 cycles, and then re-close the line in (b) back into the fault. d. Leave fault on for 5 cycles, then trip the line in (b) and remove fault.
43	FLT_43_EMPEC_Swissvale_345kV_3PH	3 phase fault on the EMPEC (532768) to Swissvale (532774) 345kV line, near EMPEC. a. Apply fault at the EMPEC 345kV bus. b. Clear fault after 5 cycles by tripping the faulted line. c. Wait 20 cycles, and then re-close the line in (b) back into the fault. d. Leave fault on for 5 cycles, then trip the line in (b) and remove fault.
44	FLT_44_EMPEC_G14001Tap_345kV_3PH	3 phase fault on the EMPEC (532768) to G14001Tap (562476) 345kV line, near EMPEC. a. Apply fault at the EMPEC 345kV bus. b. Clear fault after 5 cycles by tripping the faulted line. c. Wait 20 cycles, and then re-close the line in (b) back into the fault. d. Leave fault on for 5 cycles, then trip the line in (b) and remove fault.
45	FLT_45_Morris_JECN_345kV_3PH	3 phase fault on the Morris (532770) to JECN (532766) 345kV line, near Morris. a. Apply fault at the Morris 345kV bus. b. Clear fault after 5 cycles by tripping the faulted line. c. Wait 20 cycles, and then re-close the line in (b) back into the fault. d. Leave fault on for 5 cycles, then trip the line in (b) and remove fault.
46	FLT_46_Morris_Morris_345_230kV_3PH	3 phase fault on the Morris 345kV (532770) to Morris 230kV (532863) to Morris 14.4kV (532809) transformer, near Morris 345kV. a. Apply fault at the Morris 345kV bus. b. Clear fault after 5 cycles by tripping the faulted transformer.
47	FLT_47_Swissvale_Wgardner_345kV_3PH (2016WP & 2017SP)	3 phase fault on the Swissvale (532774) to WGardner (542965) 345kV line, near Swissvale. a. Apply fault at the Swissvale 345kV bus. b. Clear fault after 5 cycles by tripping the faulted line. c. Wait 20 cycles, and then re-close the line in (b) back into the fault. d. Leave fault on for 5 cycles, then trip the line in (b) and remove fault.
48	FLT_47_Swissvale_Douglas_345kV_3PH (2025SP)	3 phase fault on the Swissvale (532774) to Douglas (532776) 345kV line, near Swissvale. a. Apply fault at the Swissvale 345kV bus. b. Clear fault after 5 cycles by tripping the faulted line. c. Wait 20 cycles, and then re-close the line in (b) back into the fault. d. Leave fault on for 5 cycles, then trip the line in (b) and remove fault.

Table 3-1: Contingencies Evaluated

Cont. No.	Contingency Name	Description
49	FLT_48_Swissvale_Swissvale_345_230kV_3PH	3 phase fault on the Swissvale 345kV (532774) to Swissvale 230kV (532856) to Swissvale 14.4kV (532815) transformer, near Swissvale 345kV. a. Apply fault at the Swissvale 345kV bus. b. Clear fault after 5 cycles by tripping the faulted transformer.
50	FLT_49_Wgardner_Stillwell_345kV_3PH	3 phase fault on the WGardner (542965) to Stillwell (542968) 345kV line, near WGardner. a. Apply fault at the WGardner 345kV bus. b. Clear fault after 5 cycles by tripping the faulted line. c. Wait 20 cycles, and then re-close the line in (b) back into the fault. d. Leave fault on for 5 cycles, then trip the line in (b) and remove fault.
51	FLT_50_Wgardner_Craig_345kV_3PH	3 phase fault on the WGardner (542965) to Craig (542977) 345kV line, near WGardner. a. Apply fault at the WGardner 345kV bus. b. Clear fault after 5 cycles by tripping the faulted line. c. Wait 20 cycles, and then re-close the line in (b) back into the fault. d. Leave fault on for 5 cycles, then trip the line in (b) and remove fault.
52	FLT_51_Wgardner_Lacygne_345kV_3PH	3 phase fault on the WGardner (542965) to LaCygne (542981) 345kV line, near WGardner. a. Apply fault at the WGardner 345kV bus. b. Clear fault after 5 cycles by tripping the faulted line. c. Wait 20 cycles, and then re-close the line in (b) back into the fault. d. Leave fault on for 5 cycles, then trip the line in (b) and remove fault.
53	FLT_52_Wgardner_Wgardner_345_161kV_3PH	3 phase fault on the WGardner 345kV (532774) to WGardner 161kV (542966) to WGardner 14.4kV (543649) transformer, near WGardner 345kV. a. Apply fault at the WGardner 345kV bus. b. Clear fault after 5 cycles by tripping the faulted transformer.
54	FLT_53_Stillwell_Peculiar_345kV_3PH	3 phase fault on the Stillwell (542968) to Peculiar (541198) 345kV line, near Stillwell. a. Apply fault at the Stillwell 345kV bus. b. Clear fault after 5 cycles by tripping the faulted line. c. Wait 20 cycles, and then re-close the line in (b) back into the fault. d. Leave fault on for 5 cycles, then trip the line in (b) and remove fault.
55	FLT_54_Stillwell_Lacygne_345kV_3PH	3 phase fault on the Stillwell (542968) to LaCygne (542981) 345kV line, near Stillwell. a. Apply fault at the Stillwell 345kV bus. b. Clear fault after 5 cycles by tripping the faulted line. c. Wait 20 cycles, and then re-close the line in (b) back into the fault. d. Leave fault on for 5 cycles, then trip the line in (b) and remove fault.
56	FLT_55_Stillwell_Stillwell_345_161kV_3PH	3 phase fault on the Stillwell 345kV (542968) to Stillwell 161kV (542969) to Stillwell 14.4kV (543648) transformer, near Stillwell 345kV. a. Apply fault at the Stillwell 345kV bus. b. Clear fault after 5 cycles by tripping the faulted transformer.
57	FLT_56_Craig_87th_345kV_3PH	3 phase fault on the Craig (542977) to 87th (532775) 345kV line, near Craig. a. Apply fault at the Craig 345kV bus. b. Clear fault after 5 cycles by tripping the faulted line. c. Wait 20 cycles, and then re-close the line in (b) back into the fault. d. Leave fault on for 5 cycles, then trip the line in (b) and remove fault.
58	FLT_57_Craig_Craig_345_161kV_3PH	3 phase fault on the Craig 345kV (542977) to Craig 161kV (542978) to Craig 14.4kV (543641) transformer, near Craig 345kV. a. Apply fault at the Craig 345kV bus. b. Clear fault after 5 cycles by tripping the faulted transformer.

Table 3-1: Contingencies Evaluated

Cont. No.	Contingency Name	Description
59	FLT_58_Lacygne_Neosho_345kV_3PH	3 phase fault on the Lacygne (542981) to Neosho (532793) 345kV line, near Lacygne. a. Apply fault at the Lacygne 345kV bus. b. Clear fault after 5 cycles by tripping the faulted line. c. Wait 20 cycles, and then re-close the line in (b) back into the fault. d. Leave fault on for 5 cycles, then trip the line in (b) and remove fault.
60	FLT_59_Lacygne_Waverly_345kV_3PH	3 phase fault on the Lacygne (542981) to Waverly (532799) 345kV line, near Lacygne. a. Apply fault at the Lacygne 345kV bus. b. Clear fault after 5 cycles by tripping the faulted line. c. Wait 20 cycles, and then re-close the line in (b) back into the fault. d. Leave fault on for 5 cycles, then trip the line in (b) and remove fault.
61	FLT_60_Neosho_Blackberry_345kV_3PH	3 phase fault on the Neosho (532793) to Blackberry (300739) 345kV line, near Neosho. a. Apply fault at the Neosho 345kV bus. b. Clear fault after 5 cycles by tripping the faulted line. c. Wait 20 cycles, and then re-close the line in (b) back into the fault. d. Leave fault on for 5 cycles, then trip the line in (b) and remove fault.
62	FLT_61_Neosho_Delaware_345kV_3PH	3 phase fault on the Neosho (532793) to Delaware (510380) 345kV line, near Neosho. a. Apply fault at the Neosho 345kV bus. b. Clear fault after 5 cycles by tripping the faulted line. c. Wait 20 cycles, and then re-close the line in (b) back into the fault. d. Leave fault on for 5 cycles, then trip the line in (b) and remove fault.
63	FLT_62_Neosho_CaneyCreek_345kV_3PH	3 phase fault on the Neosho (532793) to Caney Creek (532780) 345kV line, near Neosho. a. Apply fault at the Neosho 345kV bus. b. Clear fault after 5 cycles by tripping the faulted line. c. Wait 20 cycles, and then re-close the line in (b) back into the fault. d. Leave fault on for 5 cycles, then trip the line in (b) and remove fault.
64	FLT_63_Viola_Renfrow_345kV_1PH	Single phase fault on the Viola (532798) to Renfrow (515543) 345kV line, near Viola. a. Apply fault at the Viola 345kV bus. b. Clear fault after 5 cycles by tripping the faulted line. c. Wait 20 cycles, and then re-close the line in (b) back into the fault. d. Leave fault on for 5 cycles, then trip the line in (b) and remove fault.
65	FLT_64_Viola_Wichita_345kV_1PH	Single phase fault on the Viola (532798) to Wichita (532796) 345kV line, near Viola. a. Apply fault at the Viola 345kV bus. b. Clear fault after 5 cycles by tripping the faulted line. c. Wait 20 cycles, and then re-close the line in (b) back into the fault. d. Leave fault on for 5 cycles, then trip the line in (b) and remove fault.
66	FLT_65_Renfrow_Hunter_345kV_1PH	Single phase fault on the Renfrow (515543) to Hunter (515476) 345kV line, near Renfrow. a. Apply fault at the Renfrow 345kV bus. b. Clear fault after 5 cycles by tripping the faulted line. c. Wait 20 cycles, and then re-close the line in (b) back into the fault. d. Leave fault on for 5 cycles, then trip the line in (b) and remove fault.
67	FLT_66_Hunter_Woodring_345kV_1PH	Single phase fault on the Hunter (515476) to Woodring (514715) 345kV line, near Hunter. a. Apply fault at the Hunter 345kV bus. b. Clear fault after 5 cycles by tripping the faulted line. c. Wait 20 cycles, and then re-close the line in (b) back into the fault. d. Leave fault on for 5 cycles, then trip the line in (b) and remove fault.

Table 3-1: Contingencies Evaluated

Cont. No.	Contingency Name	Description
68	FLT_67_Woodring_Sooner_345kV_1PH	Single phase fault on Woodring (514715) to Sooner (514803) 345kV line, near Woodring. a. Apply fault at the Woodring 345kV bus. b. Clear fault after 5 cycles by tripping the faulted line. c. Wait 20 cycles, and then re-close the line in (b) back into the fault. d. Leave fault on for 5 cycles, then trip the line in (b) and remove fault.
69	FLT_68_Woodring_G15063Tap_345kV_1PH	Single phase fault on Woodring (514715) to G1506Tap (560055) 345kV line, near Woodring. a. Apply fault at the Woodring 345kV bus. b. Clear fault after 5 cycles by tripping the faulted line. c. Wait 20 cycles, and then re-close the line in (b) back into the fault. d. Leave fault on for 5 cycles, then trip the line in (b) and remove fault.
70	FLT_69_Sooner_SpringCreek_345kV_1PH	Single phase fault on the Sooner (514803) to Spring Creek (514881) 345kV line, near Sooner. a. Apply fault at the Sooner 345kV bus. b. Clear fault after 5 cycles by tripping the faulted line. c. Wait 20 cycles, and then re-close the line in (b) back into the fault. d. Leave fault on for 5 cycles, then trip the line in (b) and remove fault.
71	FLT_70_Sooner_G15066T_345kV_1PH	Single phase fault on the Sooner (514803) to G15066T (560056) 345kV line, near Sooner. a. Apply fault at the Sooner 345kV bus. b. Clear fault after 5 cycles by tripping the faulted line. c. Wait 20 cycles, and then re-close the line in (b) back into the fault. d. Leave fault on for 5 cycles, then trip the line in (b) and remove fault.
72	FLT_71_RanchRoad_Sooner_345kV_1PH	Single phase fault on the Ranch Road (515576) to Sooner (514803) 345kV line, near Ranch Road. a. Apply fault at the Ranch Road 345kV bus. b. Clear fault after 5 cycles by tripping the faulted line. c. Wait 20 cycles, and then re-close the line in (b) back into the fault. d. Leave fault on for 5 cycles, then trip the line in (b) and remove fault.
73	FLT_72_RanchRoad_OpenSky_345kV_1PH	Single phase fault on the Ranch Road (515576) to Open Sky (515621) 345kV line, near Ranch Road. a. Apply fault at the Ranch Road 345kV bus. b. Clear fault after 5 cycles by tripping the faulted line. c. Wait 20 cycles, and then re-close the line in (b) back into the fault. d. Leave fault on for 5 cycles, then trip the line in (b) and remove fault.
74	FLT_73_Rosehill_Benton_345kV_1PH	Single phase fault on the Rosehill (532794) to Benton (532791) 345kV line, near Rosehill. a. Apply fault at the Rosehill 345kV bus. b. Clear fault after 5 cycles by tripping the faulted line. c. Wait 20 cycles, and then re-close the line in (b) back into the fault. d. Leave fault on for 5 cycles, then trip the line in (b) and remove fault.
75	FLT_74_Rosehill_WolfCreek_345kV_1PH	Single phase fault on the Rosehill (532794) to Wolf Creek (532797) 345kV line, near Rosehill. a. Apply fault at the Rosehill 345kV bus. b. Clear fault after 5 cycles by tripping the faulted line. c. Wait 20 cycles, and then re-close the line in (b) back into the fault. d. Leave fault on for 5 cycles, then trip the line in (b) and remove fault.
76	FLT_75_Rosehill_Latham_345kV_1PH	Single phase fault on the Rosehill (532794) to Latham (532800) 345kV line, near Rosehill. a. Apply fault at the Rosehill 345kV bus. b. Clear fault after 5 cycles by tripping the faulted line. c. Wait 20 cycles, and then re-close the line in (b) back into the fault. d. Leave fault on for 5 cycles, then trip the line in (b) and remove fault.

Table 3-1: Contingencies Evaluated

Cont. No.	Contingency Name	Description
77	FLT_76_Rosehill_G15052T_345kV_1PH	Single phase fault on the Rosehill (532794) to G15052T (560053) 345kV line, near Rosehill. a. Apply fault at the Rosehill 345kV bus. b. Clear fault after 5 cycles by tripping the faulted line. c. Wait 20 cycles, and then re-close the line in (b) back into the fault. d. Leave fault on for 5 cycles, then trip the line in (b) and remove fault.
78	FLT_77_Wichita_Reno_345kV_1PH	Single phase fault on the Wichita (532796) to Reno (532771) 345kV line, near Wichita. a. Apply fault at the Wichita 345kV bus. b. Clear fault after 5 cycles by tripping the faulted line. c. Wait 20 cycles, and then re-close the line in (b) back into the fault. d. Leave fault on for 5 cycles, then trip the line in (b) and remove fault.
79	FLT_78_Wichita_Benton_345kV_1PH	Single phase fault on the Wichita (532796) to Benton (532791) 345kV line, near Wichita. a. Apply fault at the Wichita 345kV bus. b. Clear fault after 5 cycles by tripping the faulted line. c. Wait 20 cycles, and then re-close the line in (b) back into the fault. d. Leave fault on for 5 cycles, then trip the line in (b) and remove fault.
80	FLT_79_Wichita_G1524_1525T_345kV_1PH	Single phase fault on the Wichita (532796) to G1525&G1525T (560033) 345kV line, near Wichita. a. Apply fault at the Wichita 345kV bus. b. Clear fault after 5 cycles by tripping the faulted line. c. Wait 20 cycles, and then re-close the line in (b) back into the fault. d. Leave fault on for 5 cycles, then trip the line in (b) and remove fault.
81	FLT_80_EMPEC_Lang_345kV_1PH	Single phase fault on the EMPEC (532768) to Lang (532769) 345kV line, near EMPEC. a. Apply fault at the EMPEC 345kV bus. b. Clear fault after 5 cycles by tripping the faulted line. c. Wait 20 cycles, and then re-close the line in (b) back into the fault. d. Leave fault on for 5 cycles, then trip the line in (b) and remove fault.
82	FLT_81_EMPEC_Morris_345kV_1PH	Single phase fault on the EMPEC (532768) to Morris (532770) 345kV line, near EMPEC. a. Apply fault at the EMPEC 345kV bus. b. Clear fault after 5 cycles by tripping the faulted line. c. Wait 20 cycles, and then re-close the line in (b) back into the fault. d. Leave fault on for 5 cycles, then trip the line in (b) and remove fault.
83	FLT_82_EMPEC_Swissvale_345kV_1PH	Single phase fault on the EMPEC (532768) to Swissvale (532774) 345kV line, near EMPEC. a. Apply fault at the EMPEC 345kV bus. b. Clear fault after 5 cycles by tripping the faulted line. c. Wait 20 cycles, and then re-close the line in (b) back into the fault. d. Leave fault on for 5 cycles, then trip the line in (b) and remove fault.
84	FLT_83_EMPEC_G14001Tap_345kV_1PH	Single phase fault on the EMPEC (532768) to G14001Tap (562476) 345kV line, near EMPEC. a. Apply fault at the EMPEC 345kV bus. b. Clear fault after 5 cycles by tripping the faulted line. c. Wait 20 cycles, and then re-close the line in (b) back into the fault. d. Leave fault on for 5 cycles, then trip the line in (b) and remove fault.
85	FLT_84_Morris_JECN_345kV_1PH	Single phase fault on the Morris (532770) to JECN (532766) 345kV line, near Morris. a. Apply fault at the Morris 345kV bus. b. Clear fault after 5 cycles by tripping the faulted line. c. Wait 20 cycles, and then re-close the line in (b) back into the fault. d. Leave fault on for 5 cycles, then trip the line in (b) and remove fault.

Table 3-1: Contingencies Evaluated

Cont. No.	Contingency Name	Description
86	FLT_85_Wgardner_Stillwell_345kV_1PH	Single phase fault on the WGardner (542965) to Stillwell (542968) 345kV line, near WGardner. a. Apply fault at the WGardner 345kV bus. b. Clear fault after 5 cycles by tripping the faulted line. c. Wait 20 cycles, and then re-close the line in (b) back into the fault. d. Leave fault on for 5 cycles, then trip the line in (b) and remove fault.
87	FLT_86_Wgardner_Craig_345kV_1PH	Single phase fault on the WGardner (542965) to Craig (542977) 345kV line, near WGardner. a. Apply fault at the WGardner 345kV bus. b. Clear fault after 5 cycles by tripping the faulted line. c. Wait 20 cycles, and then re-close the line in (b) back into the fault. d. Leave fault on for 5 cycles, then trip the line in (b) and remove fault.
88	FLT_87_Wgardner_Lacygne_345kV_1PH	Single phase fault on the WGardner (542965) to LaCygne (542981) 345kV line, near WGardner. a. Apply fault at the WGardner 345kV bus. b. Clear fault after 5 cycles by tripping the faulted line. c. Wait 20 cycles, and then re-close the line in (b) back into the fault. d. Leave fault on for 5 cycles, then trip the line in (b) and remove fault.
89	FLT_88A_Wgardner_Swissvale_345kV_1PH (2016WP& 2017SP)	3 phase fault on the WGardner (542965) to Swissvale (532774) 345kV line, near WGardner. a. Apply fault at the WGardner 345kV bus. b. Clear fault after 5 cycles by tripping the faulted line. c. Wait 20 cycles, and then re-close the line in (b) back into the fault. d. Leave fault on for 5 cycles, then trip the line in (b) and remove fault.
90	FLT_88_Wgardner_Douglas_345kV_1PH (2025SP)	3 phase fault on the WGardner (542965) to Douglas (532776) 345kV line, near WGardner. a. Apply fault at the WGardner 345kV bus. b. Clear fault after 5 cycles by tripping the faulted line. c. Wait 20 cycles, and then re-close the line in (b) back into the fault. d. Leave fault on for 5 cycles, then trip the line in (b) and remove fault.

Results

The stability analysis was performed and the results are summarized in **Error! Reference source not found.** The stability plots will be available upon customer request.

Contingency Number and Name		2016WP	2017SP	2025SP
0	FLT_000_NOFAULT	STABLE	STABLE	STABLE
1	FLT_01_Viola_Renfrow_345kV_3PH	STABLE	STABLE	STABLE
2	FLT_02_Viola_Wichita_345kV_3PH	STABLE	STABLE	STABLE
3	FLT_03_Renfrow_Hunter_345kV_3PH	STABLE	STABLE	STABLE
4	FLT_04_Renfrow_Renfrow_345_138kV_3PH	STABLE	STABLE	STABLE
5	FLT_05_Hunter_Woodring_345kV_3PH	STABLE	STABLE	STABLE
6	FLT_06_Woodring_Sooner_345kV_3PH	STABLE	STABLE	STABLE
7	FLT_07_Woodring_G15063Tap_345kV_3PH	STABLE	STABLE	STABLE
8	FLT_08_Woodring_Woodring_345_138kV_3PH	STABLE	STABLE	STABLE
9	FLT_09_Mathewson_Northwest_345kV_3PH	STABLE	STABLE	STABLE
10	FLT_10_Mathewson_Cimarron_345kV_3PH	STABLE	STABLE	STABLE
11	FLT_11_Mathewson_Tatonga_345kV_3PH	STABLE	STABLE	STABLE
12	FLT_12_Sooner_SpringCreek_345kV_3PH	STABLE	STABLE	STABLE
13	FLT_13_Sooner_G15066T_345kV_3PH	STABLE	STABLE	STABLE
14	FLT_14_Sooner_Sooner_345_138kV_3PH	STABLE	STABLE	STABLE
15	FLT_15_RanchRoad_Sooner_345kV_3PH	STABLE	STABLE	STABLE
16	FLT_16_RanchRoad_OpenSky_345kV_3PH	STABLE	STABLE	STABLE
17	FLT_17_Rosehill_Benton_345kV_3PH	STABLE	STABLE	STABLE

Contingency Number and Name		2016WP	2017SP	2025SP
18	FLT_18_Rosehill_WolfCreek_345kV_3PH	STABLE	STABLE	STABLE
19	FLT_19_Rosehill_Latham_345kV_3PH	STABLE	STABLE	STABLE
20	FLT_20_Rosehill_G15052T_345kV_3PH	STABLE	STABLE	STABLE
21	FLT_21_Rosehill_Rosehill_345_138kV_3PH	STABLE	STABLE	STABLE
22	FLT_22_Northwest_SpringCreek_345kV_3PH	STABLE	STABLE	STABLE
23	FLT_23_Northwest_Cimarron_345kV_3PH	STABLE	STABLE	STABLE
24	FLT_24_Northwest_Arcadia_345kV_3PH	STABLE	STABLE	STABLE
25	FLT_25_Northwest_Northwest_345_138kV_3PH	STABLE	STABLE	STABLE
26	FLT_26_Benton_WolfCreek_345kV_3PH	STABLE	STABLE	STABLE
27	FLT_27_Benton_Benton_345_138kV_3PH	STABLE	STABLE	STABLE
28	FLT_28_Wichita_Reno_345kV_3PH	STABLE	STABLE	STABLE
29	FLT_29_Wichita_Benton_345kV_3PH	STABLE	STABLE	STABLE
30	FLT_30_Wichita_G1524&1525T_345kV_3PH	STABLE	STABLE	STABLE
31	FLT_31_Wichita_Evans_345_138kV_3PH	STABLE	STABLE	STABLE
32	FLT_32_Thistle_G1524&1525T_345kV_3PH	STABLE	STABLE	STABLE
33	FLT_33_Thistle_Woodward_345kV_3PH	STABLE	STABLE	STABLE
34	FLT_34_Thistle_ClarkCounty_345kV_3PH	STABLE	STABLE	STABLE
35	FLT_35_Thistle_Thistle_345_138kV_3PH	STABLE	STABLE	STABLE
36	FLT_36_Reno_Summit_345kV_3PH	STABLE	STABLE	STABLE
37	FLT_37_Reno_Reno_345_115kV_3PH	STABLE	STABLE	STABLE
38	FLT_38_Summit_Blustem_345kV_3PH	STABLE	STABLE	STABLE
39	FLT_39_Summit_ElmCreek_345kV_3PH	STABLE	STABLE	STABLE
40	FLT_40_Summit_Summit_345_230kV_3PH	STABLE	STABLE	STABLE
41	FLT_41_EMPEC_Lang_345kV_3PH	STABLE	STABLE	STABLE
42	FLT_42_EMPEC_Morris_345kV_3PH	STABLE	STABLE	STABLE
43	FLT_43_EMPEC_Swissvale_345kV_3PH	STABLE	STABLE	STABLE
44	FLT_44_EMPEC_G14001Tap_345kV_3PH	STABLE	STABLE	STABLE
45	FLT_45_Morris_JECN_345kV_3PH	STABLE	STABLE	STABLE
46	FLT_46_Morris_Morris_345_230kV_3PH	STABLE	STABLE	STABLE
47	FLT_47_Swissvale_Wgardner_345kV_3PH	STABLE	STABLE	STABLE
48	FLT_48_Swissvale_Swissvale_345_230kV_3PH	STABLE	STABLE	STABLE
49	FLT_49_Wgardner_Stillwell_345kV_3PH	STABLE	STABLE	STABLE
50	FLT_50_Wgardner_Craig_345kV_3PH	STABLE	STABLE	STABLE
51	FLT_51_Wgardner_Lacygne_345kV_3PH	STABLE	STABLE	STABLE
52	FLT_52_Wgardner_Wgardner_345_161kV_3PH	STABLE	STABLE	STABLE
53	FLT_53_Stillwell_Peculiar_345kV_3PH	STABLE	STABLE	STABLE
54	FLT_54_Stillwell_Lacygne_345kV_3PH	STABLE	STABLE	STABLE
55	FLT_55_Stillwell_Stillwell_345_161kV_3PH	STABLE	STABLE	STABLE
56	FLT_56_Craig_87th_345kV_3PH	STABLE	STABLE	STABLE
57	FLT_57_Craig_Craig_345_161kV_3PH	STABLE	STABLE	STABLE
58	FLT_58_Lacygne_Neosho_345kV_3PH	STABLE	STABLE	STABLE
59	FLT_59_Lacygne_Waverly_345kV_3PH	STABLE	STABLE	STABLE
60	FLT_60_Neosho_Blackberry_345kV_3PH	STABLE	STABLE	STABLE
61	FLT_61_Neosho_Delaware_345kV_3PH	STABLE	STABLE	STABLE
62	FLT_62_Neosho_CaneyCreek_345kV_3PH	STABLE	STABLE	STABLE

FERC LVRT Compliance

FERC Order 661A places specific requirements on wind farms through its Low Voltage Ride Through (LVRT) provisions. For Interconnection Agreements signed after December 31, 2006, wind farms shall stay on line for faults at the POI that draw the voltage down at the POI to 0.0 pu. The faults listed below in **Table 3-2** were tested to meet Order 661A LVRT provisions. GEN-2010-005 was found to be in compliance with FERC Order 661A.

Table 3-2 LVRT Contingencies

Contingency Number and Name	Description
FLT_01_Viola_Renfrow_345kV_3PH	3 phase fault on the Viola (532798) to Renfrow (515543) 345kV line, near Viola. a. Apply fault at the Viola 345kV bus. b. Clear fault after 5 cycles by tripping the faulted line. c. Wait 20 cycles, and then re-close the line in (b) back into the fault. d. Leave fault on for 5 cycles, then trip the line in (b) and remove fault.
FLT_02_Viola_Wichita_345kV_3PH	3 phase fault on the Viola (532798) to Wichita (532796) 345kV line, near Viola. a. Apply fault at the Viola 345kV bus. b. Clear fault after 5 cycles by tripping the faulted line. c. Wait 20 cycles, and then re-close the line in (b) back into the fault. d. Leave fault on for 5 cycles, then trip the line in (b) and remove fault.

4. Power Factor Analysis

The power factor analysis was performed for each project included in this study and is designed to demonstrate the reactive power requirements at the point of interconnection (POI) using the current study upgrade cases. For all projects that require reactive power, the final requirement in the GIA will be the pro-forma 95% lagging to 95% leading at the POI.

Model Preparation

For each project included in this study, as well as previous queued projects modeled at the same POI, the projects were turned off for the power factor analysis. The projects were replaced by an equivalent generator located at the POI producing the total MW of the project at that POI and 0.0 Mvar capability.

A Mvar generator without limits was modeled at the interconnection project POI to hold a voltage schedule at the POI consistent with the greater of the voltage schedule in the base case or unity (1.0 pu) voltage.

Disturbances

Each N-1 contingency evaluated in the Stability Analysis found in **Table 3-1** was also included in the determination of the power factor requirements.

Results

The power factor ranges are summarized in **Table 4-1** and the resultant ranges are shown **Table D-1**. The analysis showed that reactive power is required for the study project, the final requirement in the Generation Interconnection Agreement (GIA) for each project will be the pro-forma 95% lagging to 95% leading at the POI.

For analyzing power factor results a positive Q (Mvar) output indicates that the equivalent generator is supplying reactive power to the system, implying a lagging power factor. A negative Q (Mvar) output indicates that the equivalent generator is absorbing reactive power from the system, implying a leading power factor.

Table 4-1: Summary of Power Factor Analysis at the POI

Request	Capacity (MW)	Point of Interconnection (POI)	Fuel	Generator	Lagging (providing Mvars)	Leading (absorbing Mvars)
GEN-2010-005	299.2	Viola 345kV (532798)	Wind	GE 1.6 and Vestas V110 2.0	0.95	0.95

NOTE: As reactive power is required for the project, the final requirement in the GIA will be the pro-forma 95% lagging to 95% leading at the point of interconnection.

5. Reduced Wind Generation Analysis

A low wind analysis was performed for GEN-2015-005 and GEN-2007-025 since both are owned by the same interconnection customer, and GEN-2010-005 interconnects to the POI through GEN-2007-025 via a 345kV transmission lead. SPP performed this low wind analysis to determine the capacitive charging current injected at the POI by the two projects.

The project generators and capacitors (if any) were turned off in the base case. The resulting reactive power injection into the transmission network that comes from the capacitance of the project's transmission lines and collector cables is shown in **Figure E-1**. Also, the figure shows how much capacitance is from the transmission lines and collector cables in GEN-2010-005 and GEN-2007-025. A shunt reactor was added at the GEN-2007-025 project substation 345 kV bus to bring the Mvar flow into the POI down to approximately zero as show in **Figure E-2**. A reactor of approximately 56 Mvar will negate the capacitive effect at the POI.

6. Short Circuit Analysis

The short circuit analysis was performed on the 2017 & 2025 Summer Peak power flow cases using the PSS/E ASCC program. Since the power flow model does not contain negative and zero sequence data, only three-phase symmetrical fault current levels were calculated at the point of interconnection up to and including five levels away.

Short Circuit Analysis was conducting using flat conditions with the following PSS/E ASCCC program settings:

- BUS VOLTAGES SET TO 1 PU AT 0 PHASE ANGLE
- GENERATOR P=0, Q=0
- TRANSFORMER TAP RATIOS=1.0 PU and PHASE ANGLES=0.0
- LINE CHARGING=0.0 IN +/-/0 SEQUENCE
- LOAD=0.0 IN +/- SEQUENCE, CONSIDERED IN ZERO SEQUENCE
- LINE/FIXED/SWITCHED SHUNTS=0.0 AND MAGNETIZING ADMITTANCE=0.0 IN +/-/0 SEQUENCE
- DC LINES AND FACTS DEVICES BLOCKED
- TRANSFORMER ZERO SEQUENCE IMPEDANCE CORRECTIONS IGNORED

Results

The results of the short circuit analysis are shown in **Appendix F, Table F-1 GEN-2010-005 Short Circuit Analysis Results (2017SP)** and

PSS(R)E-32.2.2 ASCC SHORT CIRCUIT CURRENTS TUE, FEB 14 2017 17:11
 2015 MDWG FINAL WITH 2013 MMWG, UPDATED WITH 2014 SERC & MRO
 MDWG 17S WITH MMWG 15S, MRO 16W TOPO/16S PROF, SERC 16S

OPTIONS USED:

- FLAT CONDITIONS
 - BUS VOLTAGES SET TO 1 PU AT 0 PHASE ANGLE
 - GENERATOR P=0, Q=0
 - TRANSFORMER TAP RATIOS=1.0 PU and PHASE ANGLES=0.0
 - LINE CHARGING=0.0 IN +/-/0 SEQUENCE
 - LOAD=0.0 IN +/- SEQUENCE, CONSIDERED IN ZERO SEQUENCE
 - LINE/FIXED/SWITCHED SHUNTS=0.0 AND MAGNETIZING ADMITTANCE=0.0 IN +/-/0 SEQUENCE
 - DC LINES AND FACTS DEVICES BLOCKED
 - TRANSFORMER ZERO SEQUENCE IMPEDANCE CORRECTIONS IGNORED

X----- BUS -----X	THREE PHASE FAULT
	/I+/ AN(I+)
532768 [EMPEC 7 345.00] AMP	17283.1 -86.19
532769 [LANG 7 345.00] AMP	17072.2 -86.18
532770 [MORRIS 7 345.00] AMP	12731.0 -85.54
532774 [SWISVAL7 345.00] AMP	16423.8 -85.37
562476 [G14-001-TAP 345.00] AMP	10942.5 -85.04
585100 [GEN-2015-073345.00] AMP	14171.8 -85.65
532766 [JEC N 7 345.00] AMP	23298.6 -87.51
532796 [WICHITA7 345.00] AMP	23718.1 -86.10
532856 [SWISVAL6 230.00] AMP	21813.3 -85.42
532863 [MORRIS 6 230.00] AMP	13782.0 -85.33
533304 [LANG 3 115.00] AMP	14440.2 -85.16
542965 [W.GRDNR7 345.00] AMP	25251.9 -85.83

583850	[GEN-2014-001345.00]	AMP	7502.8	-84.76
532765	[HOYT 7 345.00]	AMP	15354.2	-85.76
532767	[BLUSTEM7 345.00]	AMP	9609.0	-86.22
532771	[RENO 7 345.00]	AMP	10671.1	-85.59
532791	[BENTON 7 345.00]	AMP	19033.4	-85.71
532798	[VIOLA 7 345.00]	AMP	11409.3	-85.09
532851	[AUBURN 6 230.00]	AMP	13446.6	-83.79
532852	[JEC 6 230.00]	AMP	24522.2	-87.76
532857	[TECHILL6 230.00]	AMP	11266.9	-84.32
532858	[BALDWIN6 230.00]	AMP	13734.8	-84.53
532862	[MCDOWEL6 230.00]	AMP	6892.7	-84.87
532874	[UNIONRG6 230.00]	AMP	8763.7	-83.67
533040	[EVANS N4 138.00]	AMP	37053.0	-87.18
533301	[EAST ST3 115.00]	AMP	9202.6	-82.09
533305	[MORRIS 3 115.00]	AMP	12407.5	-86.31
533306	[READING3 115.00]	AMP	6390.9	-73.71
533307	[PRAIRIE3 115.00]	AMP	9248.7	-82.46
542966	[WGARDNR5 161.00]	AMP	27244.1	-86.92
542968	[STILWEL7 345.00]	AMP	24264.6	-85.89
542977	[CRAIG 7 345.00]	AMP	21510.9	-85.70
542981	[LACYGNE7 345.00]	AMP	24950.3	-86.88
560033	[G1524&G1525T345.00]	AMP	19150.8	-86.29
515543	[RENFROW7 345.00]	AMP	11221.6	-84.65
532772	[STRANGR7 345.00]	AMP	22142.2	-85.94
532773	[SUMMIT 7 345.00]	AMP	10231.9	-85.73
532775	[87TH 7 345.00]	AMP	19924.0	-85.69
532792	[FR2EAST7 345.00]	AMP	6214.1	-85.59
532793	[NEOSHO 7 345.00]	AMP	16198.2	-84.49
532794	[ROSEHIL7 345.00]	AMP	18824.7	-85.80
532797	[WOLFCRK7 345.00]	AMP	15971.2	-86.81
532799	[WAVERLY7 345.00]	AMP	14712.8	-86.51
532853	[LAWHILL6 230.00]	AMP	13751.9	-85.20
532861	[EMANHAT6 230.00]	AMP	9565.6	-85.60
532873	[SUMMIT 6 230.00]	AMP	12906.7	-85.19
532986	[BENTON 4 138.00]	AMP	27908.2	-85.85
533041	[EVANS S4 138.00]	AMP	37053.0	-87.18
533065	[SG12COL4 138.00]	AMP	20146.8	-85.76
533151	[AUBURN 3 115.00]	AMP	21702.4	-84.05
533163	[HOYT 3 115.00]	AMP	22824.7	-85.67
533171	[OSAGE J3 115.00]	AMP	5151.5	-72.86
533182	[TECHILE3 115.00]	AMP	30018.6	-82.91
533232	[BALDCRK3 115.00]	AMP	19909.9	-84.58
533309	[WEMPORI3 115.00]	AMP	9770.3	-81.62
533335	[MCDOWEL3 115.00]	AMP	17702.0	-85.31
533336	[BLUSTEM3 115.00]	AMP	16964.4	-86.43
533359	[UNIONRG3 115.00]	AMP	3784.2	-87.74
533390	[MAIZEW 4 138.00]	AMP	25939.2	-85.53
533416	[RENO 3 115.00]	AMP	21539.8	-85.57
539801	[THISTLE7 345.00]	AMP	15378.5	-85.86
541198	[PECULR 7 345.00]	AMP	20114.0	-85.62
542969	[STILWEL5 161.00]	AMP	38986.5	-85.84
542978	[CRAIG 5 161.00]	AMP	39235.8	-85.69
543049	[CEDRCRK5 161.00]	AMP	27477.8	-84.94
543054	[CEDARNL5 161.00]	AMP	13621.2	-84.61
543077	[PLSTVAL5 161.00]	AMP	9737.8	-83.35
543105	[BULLCRK5 161.00]	AMP	24968.2	-87.10
543132	[BNSF 5 161.00]	AMP	19921.4	-85.74
584659	[G15024G15025345.00]	AMP	6650.0	-86.46
585070	[GEN-2015-069230.00]	AMP	6570.4	-84.48
300739	[7BLACKBERRY 345.00]	AMP	12247.8	-84.37
510380	[DELWARE7 345.00]	AMP	11393.8	-84.84
515375	[WWRDEHV7 345.00]	AMP	18092.5	-85.93
515476	[HUNTERS7 345.00]	AMP	12085.2	-84.69
515544	[RENFROW4 138.00]	AMP	13395.7	-84.83

530592	[SMOKYHL6	230.00]	AMP	6884.6	-84.32
532780	[CANERYV7	345.00]	AMP	9887.0	-85.50
532795	[FR2WEST7	345.00]	AMP	5204.9	-85.65
532800	[LATHAMS7	345.00]	AMP	10459.6	-85.56
532802	[WAVERTX7	345.00]	AMP	12556.3	-86.05
532854	[LEC U5 6	230.00]	AMP	13616.5	-85.09
532855	[MIDLAND6	230.00]	AMP	12175.6	-84.82
532865	[NMANHT6	230.00]	AMP	8770.7	-85.16
532872	[EMCPHER6	230.00]	AMP	7716.0	-83.42
532920	[TECHILL5	161.00]	AMP	5771.5	-84.75
532937	[NEOSHO 5	161.00]	AMP	21992.2	-84.26
532988	[BELAIRE4	138.00]	AMP	18637.6	-84.79
532990	[MIDIAN 4	138.00]	AMP	10061.0	-80.49
533015	[BENTLEY4	138.00]	AMP	9827.5	-85.10
533021	[NEOSHO 4	138.00]	AMP	23036.3	-84.46
533024	[29TH 4	138.00]	AMP	19399.9	-85.12
533035	[CHISHLM4	138.00]	AMP	21786.1	-84.81
533053	[LAKERDG4	138.00]	AMP	17996.8	-85.60
533054	[MAIZE 4	138.00]	AMP	22202.1	-85.18
533062	[ROSEHIL4	138.00]	AMP	30970.3	-86.16
533074	[45TH ST4	138.00]	AMP	25950.4	-85.68
533153	[COLINE 3	115.00]	AMP	23235.0	-81.04
533155	[CROOKED3	115.00]	AMP	20489.6	-84.01
533166	[INDIANH3	115.00]	AMP	17630.7	-82.26
533167	[KEENE 3	115.00]	AMP	10051.0	-84.37
533169	[NTHLAND3	115.00]	AMP	15021.4	-82.70
533170	[OSAGE 3	115.00]	AMP	4384.3	-71.72
533176	[SHAWNEE3	115.00]	AMP	12205.2	-82.20
533177	[6 GOLDN3	115.00]	AMP	16256.1	-81.89
533180	[TEC E 3	115.00]	AMP	29606.0	-82.94
533187	[27CROCO3	115.00]	AMP	20243.5	-83.01
533194	[SHERWOD3	115.00]	AMP	19824.1	-83.74
533197	[HARTLND3	115.00]	AMP	4720.2	-74.94
533198	[HOYTJS 3	115.00]	AMP	19905.8	-84.88
533199	[HOYTJN 3	115.00]	AMP	18913.7	-84.62
533250	[LWRNCHL3	115.00]	AMP	27782.9	-83.95
533268	[STRANGR3	115.00]	AMP	31925.0	-86.81
533270	[STULL T3	115.00]	AMP	12144.4	-72.49
533271	[SWLWRNC3	115.00]	AMP	18543.3	-80.95
533283	[87TH 3	115.00]	AMP	26058.7	-85.95
533308	[VAUGHN 3	115.00]	AMP	2811.4	-71.29
533311	[WMBROSJ3	115.00]	AMP	6761.4	-76.34
533326	[EMANHAT3	115.00]	AMP	13088.0	-85.59
533328	[FT JCT 3	115.00]	AMP	14504.6	-85.84
533341	[STAGGHL3	115.00]	AMP	9504.6	-83.82
533350	[SMAN_W_3	115.00]	AMP	12505.2	-79.35
533360	[TCHOPE 3	115.00]	AMP	3364.3	-87.26
533362	[CHAPMAN3	115.00]	AMP	10324.2	-85.53
533381	[SUMMIT 3	115.00]	AMP	16809.6	-86.26
533392	[SCRNTJS3	115.00]	AMP	5082.8	-74.25
533413	[CIRCLE 3	115.00]	AMP	18064.1	-85.03
533415	[DAVIS 3	115.00]	AMP	8102.7	-82.40
533429	[MOUNDRG3	115.00]	AMP	7010.5	-83.06
533438	[WMCIPHER3	115.00]	AMP	10832.7	-84.14
539800	[CLARKCOUNTY7	345.00]	AMP	12611.4	-84.73
539804	[THISTLE4	138.00]	AMP	16296.2	-86.47
539805	[ELMCREEK7	345.00]	AMP	5251.7	-85.37
541200	[PHILL 7	345.00]	AMP	18156.0	-85.65
541231	[STRANGR5	161.00]	AMP	15155.9	-87.58
541341	[S.HARP 5	161.00]	AMP	25055.9	-85.17
541342	[PECULR 5	161.00]	AMP	24419.7	-85.47
542979	[PFLUMM 5	161.00]	AMP	26860.2	-85.04
542982	[IATAN 7	345.00]	AMP	25786.0	-86.70
542994	[HICKMAN5	161.00]	AMP	18422.9	-83.90

542995	[MONTROS5	161.00]	AMP	17462.5	-84.08
543031	[SHWNMSN5	161.00]	AMP	31001.3	-84.73
543038	[LENEXAS5	161.00]	AMP	26147.1	-85.03
543039	[LENEXAN5	161.00]	AMP	27167.3	-84.72
543044	[MOONLT 5	161.00]	AMP	16510.9	-85.05
543048	[COLLEGE5	161.00]	AMP	27872.2	-84.69
543050	[ANTIOCH5	161.00]	AMP	21947.3	-84.42
543053	[REDEL 5	161.00]	AMP	23838.3	-84.19
543055	[SEOTTWAS	161.00]	AMP	6692.0	-81.12
543057	[BUCYRUS5	161.00]	AMP	19128.2	-84.31
543126	[LACKMAN5	161.00]	AMP	13045.0	-83.85
543131	[CLARE 5	161.00]	AMP	13981.8	-84.49
560053	[G15-052T	345.00]	AMP	13120.0	-86.45
583750	[GEN-2013-029345.00]		AMP	10000.2	-84.61
584660	[GEN-2015-024345.00]		AMP	5405.6	-86.43
584670	[GEN-2015-025345.00]		AMP	6534.5	-86.43
585250	[GEN-2015-090345.00]		AMP	3101.8	-85.71

Table F-2 GEN-2010-005 Short Circuit Analysis Results (2025SP).

7. Conclusion

The GEN-2010-005 Interconnection Customer has requested a modification to its Generator Interconnection Request to change its Phase II generators from GE 1.6 MW wind turbines to Vestas 2.0 MW wind turbines. Originally, Phase I and Phase II consisted of one-hundred eighty-seven (187) GE 1.6MW wind turbines for a total 299.2 MW. The requested change is one hundred seven (107) GE 1.6MW wind turbines in Phase I and sixty-four (64) Vestas V110 2.0MW wind turbines in Phase II (total 299.2MW). The point of interconnection (POI) is the Westar Energy, Inc (WERE) Viola Substation 345kV.

Stability analysis has determined that with all previously assigned Network Upgrades in service, generators in the monitored areas remained stable and within the pre-contingency, voltage recovery, and post fault voltage recovery criterion of 0.7pu to 1.2pu for the entire modeled disturbances. Additionally, the project wind farm was found to stay connected during the contingencies that were studied and, therefore, will meet the Low Voltage Ride Through (LVRT) requirements of FERC Order #661A.

A power factor analysis was performed for the wind turbine modification request. As reactive power is required for GEN-2010-005, the final requirement in the GIA will be the pro-forma 95% lagging to 95% leading at the POI.

A reduced generation analysis was conducted to determine reactor size necessary to compensate the capacitive effects on the transmission system during low or reduced wind conditions caused by the interconnecting project's generator lead transmission line and collector systems.

Short Circuit analysis was conducted using the current study upgrade 2017 summer peak and 2025 summer peak cases.

With the assumptions outlined in this report and with all the required network upgrades from the DISIS 2015-002 in place, GEN-2010-05 with the GE 1.6MW and Vestas V110 2.0MW wind turbine generators should be able to interconnect reliably to the SPP transmission grid.

It should be noted that this study analyzed the requested modification to change generator technology, manufacturer, and layout. Powerflow analysis was not performed. This study analyzed many of the most probable contingencies, but it is not an all-inclusive list and cannot account for every operational situation. It is likely that the customer may be required to reduce its generation output to 0 MW, also known as curtailment, under certain system conditions to allow system operators to maintain the reliability of the transmission network.

Nothing in this study should be construed as a guarantee of delivery or transmission service. If the customer wishes to sell power from the facility, a separate request for transmission service must be requested on Southwest Power Pool's OASIS by the Customer.

Appendix A – 2016 Winter Peak Stability Plots

(Available on request)

Appendix B – 2017 Summer Peak Stability Plots

(Available on request)

Appendix C – 2025 Summer Peak Stability Plots

(Available on request)

Appendix D – Power Factor Analysis Results

Table D-1: GEN-2010-005 and GEN-2007-025 Power Factor Analysis Results

Leading power factor is absorbing vars; Lagging power factor is providing vars												
GEN-2010-005 & GEN-2007-025 POI: Viola 345 kV (532798) Power at POI (MW): 598.4				2016 Winter Peak POI Voltage = 1.009 pu			2017 Summer Peak POI Voltage = 1.009 pu			2025 Summer Peak POI Voltage = 1.008 pu		
Contingency Name		Mvars at POI	Power Factor		Mvars at POI	Power Factor		Mvars at POI	Power Factor			
0	FLT_00_NoFault	-3.640	1.000	LEAD	-11.673	1.000	LEAD	-19.965	0.999	LEAD		
1	FLT_01_Viola_Renfrow_345kV	2.794	1.000	LAG	-6.393	1.000	LEAD	-25.026	0.999	LEAD		
2	FLT_02_Viola_Wichita_345kV	40.704	0.998	LAG	34.932	0.998	LAG	20.749	0.999	LAG		
3	FLT_03_Renfrow_Hunter_345kV	22.720	0.999	LAG	17.449	1.000	LAG	2.906	1.000	LAG		
4	FLT_04_Renfrow_Renfrow_345_138kV	-3.250	1.000	LEAD	-15.829	1.000	LEAD	-29.400	0.999	LEAD		
5	FLT_05_Hunter_Woodring_345kV	91.203	0.989 ¹	LAG	74.923	0.992	LAG	52.930	0.996	LAG		
6	FLT_06_Woodring_Sooner_345kV	-1.775	1.000	LEAD	-12.377	1.000	LEAD	-23.631	0.999	LEAD		
7	FLT_07_Woodring_G15063Tap_345kV	19.022	0.999	LAG	9.377	1.000	LAG	8.220	1.000	LAG		
8	FLT_08_Woodring_Woodring_345_138kV	0.555	1.000	LAG	-9.379	1.000	LEAD	-18.531	1.000	LEAD		
9	FLT_09_Mathewson_Northwest_345kV	-6.294	1.000	LEAD	-13.621	1.000	LEAD	-22.861	0.999	LEAD		
10	FLT_10_Mathewson_Cimarron_345kV	-2.127	1.000	LEAD	-10.466	1.000	LEAD	-19.262	0.999	LEAD		
11	FLT_11_Mathewson_Tatonga_345kV	4.903	1.000	LAG	-7.260	1.000	LEAD	-16.956	1.000	LEAD		
12	FLT_12_Sooner_SpringCreek_345kV	23.520	0.999	LAG	6.107	1.000	LAG	1.828	1.000	LAG		
13	FLT_13_Sooner_G15066T_345kV	19.382	0.999	LAG	5.090	1.000	LAG	-0.847	1.000	LEAD		
14	FLT_14_Sooner_Sooner_345_138kV	-2.486	1.000	LEAD	-14.779	1.000	LEAD	-20.663	0.999	LEAD		
15	FLT_15_RanchRoad_Sooner_345kV	25.385	0.999	LAG	-0.281	1.000	LEAD	-8.740	1.000	LEAD		
16	FLT_16_RanchRoad_OpenSky_345kV	-1.391	1.000	LEAD	-9.031	1.000	LEAD	-16.786	1.000	LEAD		
17	FLT_17_Rosehill_Benton_345kV	-5.443	1.000	LEAD	-14.365	1.000	LEAD	-20.275	0.999	LEAD		
18	FLT_18_Rosehill_WolfCreek_345kV	13.266	1.000	LAG	-6.217	1.000	LEAD	-8.930	1.000	LEAD		
19	FLT_19_Rosehill_Latham_345kV	-3.692	1.000	LEAD	-10.488	1.000	LEAD	-19.464	0.999	LEAD		
20	FLT_20_Rosehill_G15052T_345kV	43.634	0.997	LAG	34.019	0.998	LAG	34.665	0.998	LAG		
21	FLT_21_Rosehill_Rosehill_345_138kV	-0.706	1.000	LEAD	-13.280	1.000	LEAD	-17.304	1.000	LEAD		
22	FLT_22_Northwest_SpringCreek_345kV	19.112	0.999	LAG	14.477	1.000	LAG	12.755	1.000	LAG		
23	FLT_23_Northwest_Cimarron_345kV	-2.975	1.000	LEAD	-11.028	1.000	LEAD	-19.031	0.999	LEAD		
24	FLT_24_Northwest_Arcadia_345kV	0.221	1.000	LAG	-11.596	1.000	LEAD	-20.731	0.999	LEAD		
25	FLT_25_Northwest_Northwest_345_138kV	-4.585	1.000	LEAD	-11.639	1.000	LEAD	-20.676	0.999	LEAD		
26	FLT_26_Benton_WolfCreek_345kV	17.530	1.000	LAG	-2.927	1.000	LEAD	-6.428	1.000	LEAD		
27	FLT_27_Benton_Benton_345_138kV	-6.427	1.000	LEAD	-17.085	1.000	LEAD	-21.159	0.999	LEAD		
28	FLT_28_Wichita_Reno_345kV	29.393	0.999	LAG	-6.472	1.000	LEAD	-7.091	1.000	LEAD		
29	FLT_29_Wichita_Benton_345kV	-28.068	0.999	LEAD	-31.900	0.999	LEAD	-43.010	0.997 ²	LEAD		
30	FLT_30_Wichita_G1524&1525T_345kV	7.217	1.000	LAG	-4.288	1.000	LEAD	-13.343	1.000	LEAD		
31	FLT_31_Wichita_Evans_345_138kV	-5.593	1.000	LEAD	-23.157	0.999	LEAD	-32.877	0.998	LEAD		
32	FLT_32_Thistle_G1524&1525T_345kV	12.443	1.000	LAG	-0.955	1.000	LEAD	-9.499	1.000	LEAD		
33	FLT_33_Thistle_Woodward_345kV	-3.256	1.000	LEAD	-11.459	1.000	LEAD	-20.541	0.999	LEAD		

¹ Most lagging power factor

² Most leading power factor

Leading power factor is absorbing vars; Lagging power factor is providing vars												
GEN-2010-005 & GEN-2007-025 POI: Viola 345 kV (532798) Power at POI (MW): 598.4				2016 Winter Peak POI Voltage = 1.009 pu			2017 Summer Peak POI Voltage = 1.009 pu			2025 Summer Peak POI Voltage = 1.008 pu		
Contingency Name	Mvars at POI	Power Factor		Mvars at POI	Power Factor		Mvars at POI	Power Factor		Mvars at POI	Power Factor	
34	FLT_34_Thistle_ClarkCounty_345kV	2.322	1.000	LAG	-7.988	1.000	LEAD	-15.947	1.000	LEAD		
35	FLT_35_Thistle_Thistle_345_138kV	-3.343	1.000	LEAD	-10.215	1.000	LEAD	-16.270	1.000	LEAD		
36	FLT_36_Reno_Summit_345kV	11.406	1.000	LAG	1.249	1.000	LAG	-11.892	1.000	LEAD		
37	FLT_37_Reno_Reno_345_115kV	-2.088	1.000	LEAD	-11.932	1.000	LEAD	-19.846	0.999	LEAD		
38	FLT_38_Summit_JECN_345kV	-0.562	1.000	LEAD	-10.214	1.000	LEAD	-19.339	0.999	LEAD		
39	FLT_39_Summit_ElmCreek_345kV	-0.230	1.000	LEAD	-8.562	1.000	LEAD	-17.566	1.000	LEAD		
40	FLT_40_Summit_Summit_345_230kV	-7.438	1.000	LEAD	-12.287	1.000	LEAD	-20.943	0.999	LEAD		
41	FLT_41_EMPEC_Lang_345kV	-4.248	1.000	LEAD	-11.319	1.000	LEAD	-19.433	0.999	LEAD		
42	FLT_42_EMPEC_Morris_345kV	2.045	1.000	LAG	-8.484	1.000	LEAD	-16.954	1.000	LEAD		
43	FLT_43_EMPEC_Swissvale_345kV	3.412	1.000	LAG	-11.217	1.000	LEAD	-19.569	0.999	LEAD		
44	FLT_44_EMPEC_G14001Tap_345kV	12.661	1.000	LAG	1.601	1.000	LAG	-7.970	1.000	LEAD		
45	FLT_45_Morris_JECN_345kV	-0.544	1.000	LEAD	-10.768	1.000	LEAD	-19.186	0.999	LEAD		
46	FLT_46_Morris_Morris_345_230kV	-3.658	1.000	LEAD	-10.760	1.000	LEAD	-19.035	0.999	LEAD		
47	FLT_47_Swissvale_Wgardner_345kV	-5.499	1.000	LEAD	-16.117	1.000	LEAD	-23.503	0.999	LEAD		
48	FLT_48_Swissvale_Swissvale_345_230kV	-4.337	1.000	LEAD	-11.603	1.000	LEAD	-19.922	0.999	LEAD		
49	FLT_49_Wgardner_Stillwell_345kV	-4.026	1.000	LEAD	-12.198	1.000	LEAD	-20.442	0.999	LEAD		
50	FLT_50_Wgardner_Craig_345kV	-0.988	1.000	LEAD	-9.933	1.000	LEAD	-18.257	1.000	LEAD		
51	FLT_51_Wgardner_Lacygne_345kV	3.979	1.000	LAG	-5.113	1.000	LEAD	-13.000	1.000	LEAD		
52	FLT_52_Wgardner_Wgardner_345_161kV	-3.527	1.000	LEAD	-11.643	1.000	LEAD	-19.929	0.999	LEAD		
53	FLT_53_Stillwell_Peculiar_345kV	-0.663	1.000	LEAD	-10.409	1.000	LEAD	-18.658	1.000	LEAD		
54	FLT_54_Stillwell_Lacygne_345kV	9.724	1.000	LAG	-1.849	1.000	LEAD	-9.592	1.000	LEAD		
55	FLT_55_Stillwell_Stillwell_345_161kV	-3.223	1.000	LEAD	-11.453	1.000	LEAD	-19.728	0.999	LEAD		
56	FLT_56_Craig_87th_345kV	-3.402	1.000	LEAD	-11.537	1.000	LEAD	-19.740	0.999	LEAD		
57	FLT_57_Craig_Craig_345_161kV	-3.484	1.000	LEAD	-11.697	1.000	LEAD	-19.971	0.999	LEAD		
58	FLT_58_Lacygne_Neosho_345kV	-0.171	1.000	LEAD	-10.344	1.000	LEAD	-18.264	1.000	LEAD		
59	FLT_59_Lacygne_Waverly_345kV	82.833	0.991	LAG	36.133	0.998	LAG	26.496	0.999	LAG		
60	FLT_60_Neosho_Blackberry_345kV	-3.843	1.000	LEAD	-12.386	1.000	LEAD	-21.245	0.999	LEAD		
61	FLT_61_Neosho_Delaware_345kV	0.310	1.000	LAG	-9.538	1.000	LEAD	-16.715	1.000	LEAD		
62	FLT_62_Neosho_CaneyCreek_345kV	8.978	1.000	LAG	-3.518	1.000	LEAD	-13.519	1.000	LEAD		

Appendix E – Reduced Wind Generation Analysis Results

Below figures are from the 2016WP model with identified upgrades in-service. The other two cases (2017SP and 2025SP) were almost identical since the Interconnection Request facilities design is the same in all cases.

Figure E-1: GEN-2010-005 and GEN-2007-025 with generators and capacitor banks turned off

(Amber boxes show distribution of charging capacitance in the facilities. Red box shows net effect of all the charging capacitance)

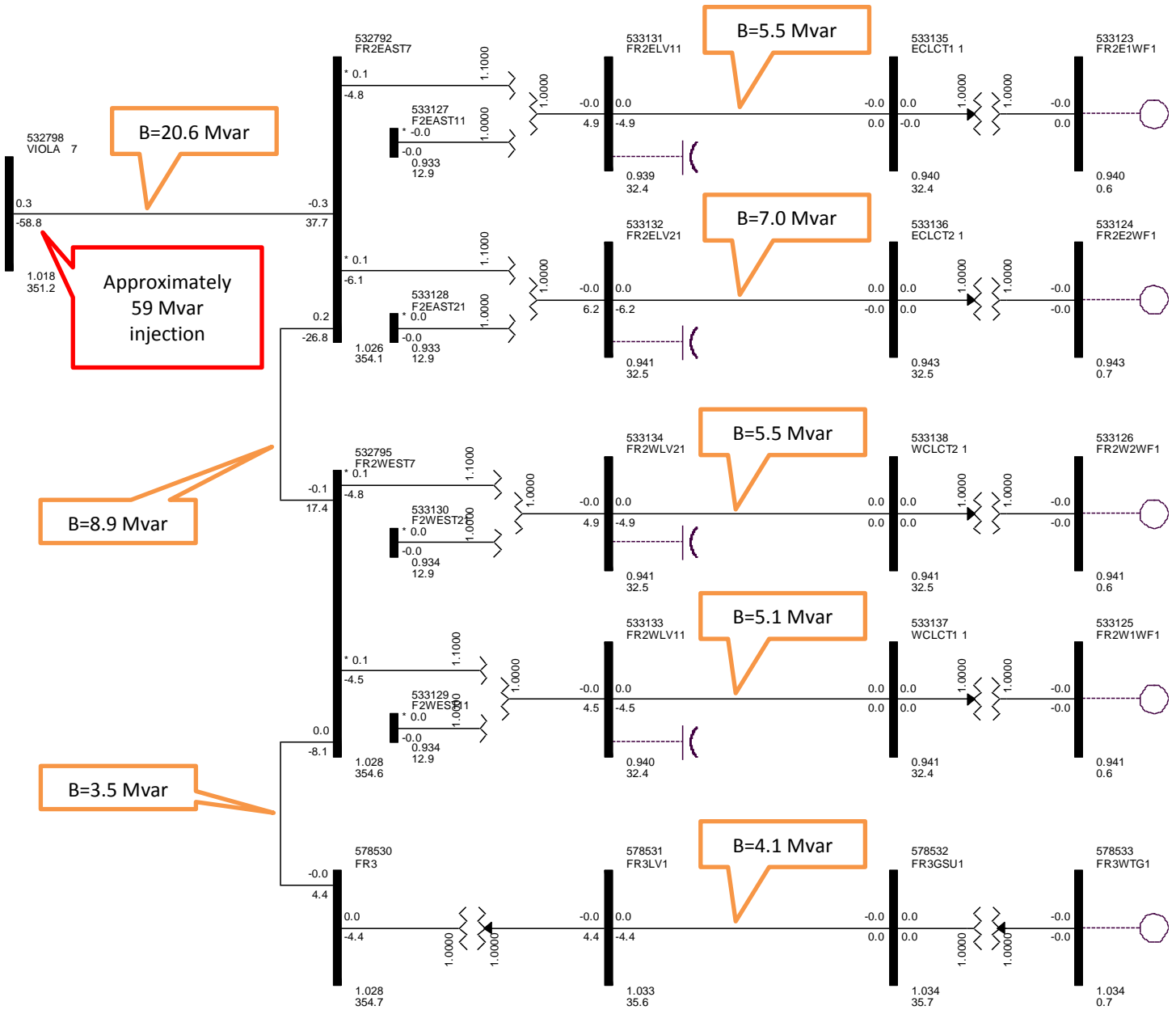
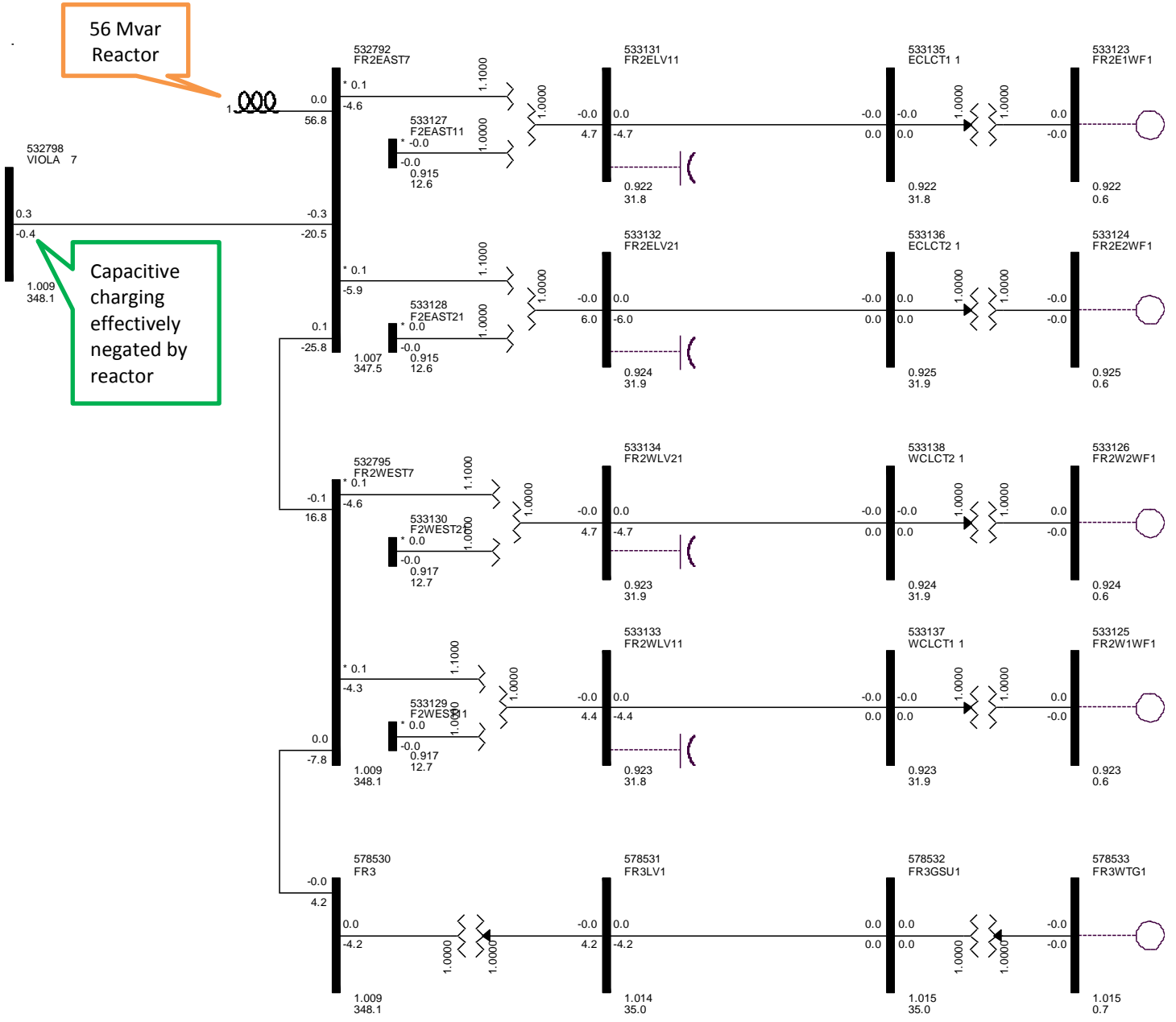


Figure E-2: GEN-2010-005 and GEN-2007-025 with generators turned off and shunt reactor added to the 345kV side of the customer substation



Appendix F – Short Circuit Analysis Results

Table F-1: GEN-2010-005 Short Circuit Analysis Results (2017SP)

PSS(R)E-32.2.2 ASCC SHORT CIRCUIT CURRENTS TUE, FEB 14 2017 17:11
 2015 MDWG FINAL WITH 2013 MMWG, UPDATED WITH 2014 SERC & MRO
 MDWG 17S WITH MMWG 15S, MRO 16W TOPO/16S PROF, SERC 16S

OPTIONS USED:

- FLAT CONDITIONS
 - BUS VOLTAGES SET TO 1 PU AT 0 PHASE ANGLE
 - GENERATOR P=0, Q=0
 - TRANSFORMER TAP RATIOS=1.0 PU and PHASE ANGLES=0.0
 - LINE CHARGING=0.0 IN +/- /0 SEQUENCE
 - LOAD=0.0 IN +/- SEQUENCE, CONSIDERED IN ZERO SEQUENCE
 - LINE/FIXED/SWITCHED SHUNTS=0.0 AND MAGNETIZING ADMITTANCE=0.0 IN +/- /0 SEQUENCE
 - DC LINES AND FACTS DEVICES BLOCKED
 - TRANSFORMER ZERO SEQUENCE IMPEDANCE CORRECTIONS IGNORED

X-----X	BUS -----X	THREE PHASE FAULT
		/I+/ AN(I+)
532768	[EMPEC 7 345.00] AMP	17283.1 -86.19
532769	[LANG 7 345.00] AMP	17072.2 -86.18
532770	[MORRIS 7 345.00] AMP	12731.0 -85.54
532774	[SWISVAL7 345.00] AMP	16423.8 -85.37
562476	[G14-001-TAP 345.00] AMP	10942.5 -85.04
585100	[GEN-2015-073345.00] AMP	14171.8 -85.65
532766	[JEC N 7 345.00] AMP	23298.6 -87.51
532796	[WICHITA7 345.00] AMP	23718.1 -86.10
532856	[SWISVAL6 230.00] AMP	21813.3 -85.42
532863	[MORRIS 6 230.00] AMP	13782.0 -85.33
533304	[LANG 3 115.00] AMP	14440.2 -85.16
542965	[W.GRDNR7 345.00] AMP	25251.9 -85.83
583850	[GEN-2014-001345.00] AMP	7502.8 -84.76
532765	[HOYT 7 345.00] AMP	15354.2 -85.76
532767	[BLUSTEM7 345.00] AMP	9609.0 -86.22
532771	[RENO 7 345.00] AMP	10671.1 -85.59
532791	[BENTON 7 345.00] AMP	19033.4 -85.71
532798	[VIOLA 7 345.00] AMP	11409.3 -85.09
532851	[AUBURN 6 230.00] AMP	13446.6 -83.79
532852	[JEC 6 230.00] AMP	24522.2 -87.76
532857	[TECHILL6 230.00] AMP	11266.9 -84.32
532858	[BALDWIN6 230.00] AMP	13734.8 -84.53
532862	[MCDOWEL6 230.00] AMP	6892.7 -84.87
532874	[UNIONRG6 230.00] AMP	8763.7 -83.67
533040	[EVANS N4 138.00] AMP	37053.0 -87.18
533301	[EAST ST3 115.00] AMP	9202.6 -82.09
533305	[MORRIS 3 115.00] AMP	12407.5 -86.31
533306	[READING3 115.00] AMP	6390.9 -73.71
533307	[PRAIRIE3 115.00] AMP	9248.7 -82.46
542966	[WGARDNR5 161.00] AMP	27244.1 -86.92
542968	[STILWEL7 345.00] AMP	24264.6 -85.89
542977	[CRAIG 7 345.00] AMP	21510.9 -85.70
542981	[LACYGNE7 345.00] AMP	24950.3 -86.88
560033	[G1524&G1525T345.00] AMP	19150.8 -86.29
515543	[RENFROW7 345.00] AMP	11221.6 -84.65
532772	[STRANGR7 345.00] AMP	22142.2 -85.94
532773	[SUMMIT 7 345.00] AMP	10231.9 -85.73
532775	[87TH 7 345.00] AMP	19924.0 -85.69
532792	[FR2EAST7 345.00] AMP	6214.1 -85.59

532793	[NEOSHO 7	345.00]	AMP	16198.2	-84.49
532794	[ROSEHIL7	345.00]	AMP	18824.7	-85.80
532797	[WOLFCRK7	345.00]	AMP	15971.2	-86.81
532799	[WAVERLY7	345.00]	AMP	14712.8	-86.51
532853	[LAWHILL6	230.00]	AMP	13751.9	-85.20
532861	[EMANHAT6	230.00]	AMP	9565.6	-85.60
532873	[SUMMIT 6	230.00]	AMP	12906.7	-85.19
532986	[BENTON 4	138.00]	AMP	27908.2	-85.85
533041	[EVANS S4	138.00]	AMP	37053.0	-87.18
533065	[SG12COL4	138.00]	AMP	20146.8	-85.76
533151	[AUBURN 3	115.00]	AMP	21702.4	-84.05
533163	[HOYT 3	115.00]	AMP	22824.7	-85.67
533171	[OSAGE J3	115.00]	AMP	5151.5	-72.86
533182	[TECHILE3	115.00]	AMP	30018.6	-82.91
533232	[BALDCRK3	115.00]	AMP	19909.9	-84.58
533309	[WEMPORI3	115.00]	AMP	9770.3	-81.62
533335	[MCDOWEL3	115.00]	AMP	17702.0	-85.31
533336	[BLUSTEM3	115.00]	AMP	16964.4	-86.43
533359	[UNIONRG3	115.00]	AMP	3784.2	-87.74
533390	[MAIZEW 4	138.00]	AMP	25939.2	-85.53
533416	[RENO 3	115.00]	AMP	21539.8	-85.57
539801	[THISTLE7	345.00]	AMP	15378.5	-85.86
541198	[PECULR 7	345.00]	AMP	20114.0	-85.62
542969	[STILWEL5	161.00]	AMP	38986.5	-85.84
542978	[CRAIG 5	161.00]	AMP	39235.8	-85.69
543049	[CEDRCRK5	161.00]	AMP	27477.8	-84.94
543054	[CEDARNL5	161.00]	AMP	13621.2	-84.61
543077	[PLSTVAL5	161.00]	AMP	9737.8	-83.35
543105	[BULLCRK5	161.00]	AMP	24968.2	-87.10
543132	[BNSF 5	161.00]	AMP	19921.4	-85.74
584659	[G15024G15025345.00]		AMP	6650.0	-86.46
585070	[GEN-2015-069230.00]		AMP	6570.4	-84.48
300739	[7BLACKBERRY	345.00]	AMP	12247.8	-84.37
510380	[DELWARE7	345.00]	AMP	11393.8	-84.84
515375	[WWRDEHV7	345.00]	AMP	18092.5	-85.93
515476	[HUNTERS7	345.00]	AMP	12085.2	-84.69
515544	[RENFROW4	138.00]	AMP	13395.7	-84.83
530592	[SMOKYHL6	230.00]	AMP	6884.6	-84.32
532780	[CANEYRV7	345.00]	AMP	9887.0	-85.50
532795	[FR2WEST7	345.00]	AMP	5204.9	-85.65
532800	[LATHAMS7	345.00]	AMP	10459.6	-85.56
532802	[WAVERTX7	345.00]	AMP	12556.3	-86.05
532854	[LEC U5 6	230.00]	AMP	13616.5	-85.09
532855	[MIDLAND6	230.00]	AMP	12175.6	-84.82
532865	[NMANHT6	230.00]	AMP	8770.7	-85.16
532872	[EMCPHER6	230.00]	AMP	7716.0	-83.42
532920	[TECHILL5	161.00]	AMP	5771.5	-84.75
532937	[NEOSHO 5	161.00]	AMP	21992.2	-84.26
532988	[BELAIRE4	138.00]	AMP	18637.6	-84.79
532990	[MIDIAN 4	138.00]	AMP	10061.0	-80.49
533015	[BENTLEY4	138.00]	AMP	9827.5	-85.10
533021	[NEOSHO 4	138.00]	AMP	23036.3	-84.46
533024	[29TH 4	138.00]	AMP	19399.9	-85.12
533035	[CHISHLM4	138.00]	AMP	21786.1	-84.81
533053	[LAKERDG4	138.00]	AMP	17996.8	-85.60
533054	[MAIZE 4	138.00]	AMP	22202.1	-85.18
533062	[ROSEHIL4	138.00]	AMP	30970.3	-86.16
533074	[45TH ST4	138.00]	AMP	25950.4	-85.68
533153	[COLINE 3	115.00]	AMP	23235.0	-81.04
533155	[CROOKED3	115.00]	AMP	20489.6	-84.01
533166	[INDIANH3	115.00]	AMP	17630.7	-82.26
533167	[KEENE 3	115.00]	AMP	10051.0	-84.37
533169	[NTHLAND3	115.00]	AMP	15021.4	-82.70
533170	[OSAGE 3	115.00]	AMP	4384.3	-71.72

533176	[SHAWNEE3	115.00]	AMP	12205.2	-82.20
533177	[6 GOLDN3	115.00]	AMP	16256.1	-81.89
533180	[TEC E 3	115.00]	AMP	29606.0	-82.94
533187	[27CROCO3	115.00]	AMP	20243.5	-83.01
533194	[SHERWOD3	115.00]	AMP	19824.1	-83.74
533197	[HARTLND3	115.00]	AMP	4720.2	-74.94
533198	[HOYTJS 3	115.00]	AMP	19905.8	-84.88
533199	[HOYTJN 3	115.00]	AMP	18913.7	-84.62
533250	[LWRNCHL3	115.00]	AMP	27782.9	-83.95
533268	[STRANGR3	115.00]	AMP	31925.0	-86.81
533270	[STULL T3	115.00]	AMP	12144.4	-72.49
533271	[SWLWRNC3	115.00]	AMP	18543.3	-80.95
533283	[87TH 3	115.00]	AMP	26058.7	-85.95
533308	[VAUGHN 3	115.00]	AMP	2811.4	-71.29
533311	[WMBROSJ3	115.00]	AMP	6761.4	-76.34
533326	[EMANHAT3	115.00]	AMP	13088.0	-85.59
533328	[FT JCT 3	115.00]	AMP	14504.6	-85.84
533341	[STAGGHL3	115.00]	AMP	9504.6	-83.82
533350	[SMAN_W 3	115.00]	AMP	12505.2	-79.35
533360	[TCHOPE 3	115.00]	AMP	3364.3	-87.26
533362	[CHAPMAN3	115.00]	AMP	10324.2	-85.53
533381	[SUMMIT 3	115.00]	AMP	16809.6	-86.26
533392	[SCRNTJS3	115.00]	AMP	5082.8	-74.25
533413	[CIRCLE 3	115.00]	AMP	18064.1	-85.03
533415	[DAVIS 3	115.00]	AMP	8102.7	-82.40
533429	[MOUNDRG3	115.00]	AMP	7010.5	-83.06
533438	[WMCIPHER3	115.00]	AMP	10832.7	-84.14
539800	[CLARKCOUNTY7	345.00]	AMP	12611.4	-84.73
539804	[THISTLE4	138.00]	AMP	16296.2	-86.47
539805	[ELMCREEK7	345.00]	AMP	5251.7	-85.37
541200	[PHILL 7	345.00]	AMP	18156.0	-85.65
541231	[STRANGR5	161.00]	AMP	15155.9	-87.58
541341	[S.HARP 5	161.00]	AMP	25055.9	-85.17
541342	[PECULR 5	161.00]	AMP	24419.7	-85.47
542979	[PFLUMM 5	161.00]	AMP	26860.2	-85.04
542982	[IATAN 7	345.00]	AMP	25786.0	-86.70
542994	[HICKMAN5	161.00]	AMP	18422.9	-83.90
542995	[MONTROS5	161.00]	AMP	17462.5	-84.08
543031	[SHWNMSN5	161.00]	AMP	31001.3	-84.73
543038	[LENEXAS5	161.00]	AMP	26147.1	-85.03
543039	[LENEXAN5	161.00]	AMP	27167.3	-84.72
543044	[MOONLT 5	161.00]	AMP	16510.9	-85.05
543048	[COLLEGE5	161.00]	AMP	27872.2	-84.69
543050	[ANTIOCH5	161.00]	AMP	21947.3	-84.42
543053	[REDEL 5	161.00]	AMP	23838.3	-84.19
543055	[SEOTTWAS	161.00]	AMP	6692.0	-81.12
543057	[BUCYRUS5	161.00]	AMP	19128.2	-84.31
543126	[LACKMAN5	161.00]	AMP	13045.0	-83.85
543131	[CLARE 5	161.00]	AMP	13981.8	-84.49
560053	[G15-052T	345.00]	AMP	13120.0	-86.45
583750	[GEN-2013-029345.00]		AMP	10000.2	-84.61
584660	[GEN-2015-024345.00]		AMP	5405.6	-86.43
584670	[GEN-2015-025345.00]		AMP	6534.5	-86.43
585250	[GEN-2015-090345.00]		AMP	3101.8	-85.71

Table F-2: GEN-2010-005 Short Circuit Analysis Results (2025SP)

PSS(R)E-32.2.2 ASCC SHORT CIRCUIT CURRENTS TUE, FEB 14 2017 17:14
 2015 MDWG FINAL WITH 2013 MMWG, UPDATED WITH 2014 SERC & MRO
 MDWG 2025S WITH MMWG 2024S, MRO & SERC 2025 SUMMER

OPTIONS USED:

- FLAT CONDITIONS
 - BUS VOLTAGES SET TO 1 PU AT 0 PHASE ANGLE
 - GENERATOR P=0, Q=0
 - TRANSFORMER TAP RATIOS=1.0 PU and PHASE ANGLES=0.0
 - LINE CHARGING=0.0 IN +/- /0 SEQUENCE
 - LOAD=0.0 IN +/- SEQUENCE, CONSIDERED IN ZERO SEQUENCE
 - LINE/FIXED/SWITCHED SHUNTS=0.0 AND MAGNETIZING ADMITTANCE=0.0 IN +/- /0 SEQUENCE
 - DC LINES AND FACTS DEVICES BLOCKED
 - TRANSFORMER ZERO SEQUENCE IMPEDANCE CORRECTIONS IGNORED

				THREE PHASE FAULT	
X-----	BUS	-----X		/I+/ AMP	AN(I+) -
532768	[EMPEC 7	345.00]	AMP	17389.2	-86.18
532769	[LANG 7	345.00]	AMP	17175.8	-86.17
532770	[MORRIS 7	345.00]	AMP	12794.9	-85.53
532774	[SWISVAL7	345.00]	AMP	16681.3	-85.36
562476	[G14-001-TAP	345.00]	AMP	11042.5	-85.05
585100	[GEN-2015-073345.00]		AMP	14242.4	-85.64
532766	[JEC N 7	345.00]	AMP	23513.3	-87.51
532776	[DOUGLAS7	345.00]	AMP	18181.1	-85.14
532796	[WICHITA7	345.00]	AMP	24680.8	-86.24
532856	[SWISVAL6	230.00]	AMP	21903.8	-85.41
532863	[MORRIS 6	230.00]	AMP	13858.1	-85.32
533304	[LANG 3	115.00]	AMP	14470.0	-85.15
583850	[GEN-2014-001345.00]		AMP	7545.9	-84.77
532765	[HOYT 7	345.00]	AMP	15628.7	-85.78
532767	[BLUSTEM7	345.00]	AMP	9737.1	-86.29
532771	[RENO 7	345.00]	AMP	11457.1	-85.98
532791	[BENTON 7	345.00]	AMP	19393.9	-85.74
532798	[VIOLA 7	345.00]	AMP	13506.5	-85.45
532851	[AUBURN 6	230.00]	AMP	13515.0	-83.80
532852	[JEC 6	230.00]	AMP	24643.2	-87.76
532857	[TECHILL6	230.00]	AMP	11312.4	-84.30
532858	[BALDWIN6	230.00]	AMP	14316.5	-84.69
532862	[MCDOWEL6	230.00]	AMP	6912.1	-84.93
532874	[UNIONRG6	230.00]	AMP	8856.4	-83.66
533040	[EVANS N4	138.00]	AMP	42055.9	-87.26
533285	[DOUGLAS3	115.00]	AMP	23976.7	-85.78
533301	[EAST ST3	115.00]	AMP	9217.3	-82.07
533305	[MORRIS 3	115.00]	AMP	12438.3	-86.31
533306	[READING3	115.00]	AMP	6396.0	-73.69
533307	[PRAIRIE3	115.00]	AMP	9264.2	-82.45
542965	[W. GRDNR7	345.00]	AMP	25938.2	-85.83
560033	[G1524&G1525T345.00]		AMP	19678.1	-86.39
515543	[RENFROW7	345.00]	AMP	11853.9	-84.75
532772	[STRANGR7	345.00]	AMP	24242.2	-86.19
532773	[SUMMIT 7	345.00]	AMP	10600.8	-85.90
532792	[FR2EAST7	345.00]	AMP	6648.9	-85.72
532794	[ROSEHIL7	345.00]	AMP	19128.0	-85.82
532797	[WOLFCRK7	345.00]	AMP	16039.4	-86.82
532853	[LAWHILL6	230.00]	AMP	14469.7	-85.39
532861	[EMANHAT6	230.00]	AMP	9599.6	-85.62

532873	[SUMMIT 6	230.00]	AMP	13478.4	-85.34
532986	[BENTON 4	138.00]	AMP	28458.3	-85.85
533041	[EVANS S4	138.00]	AMP	42055.9	-87.26
533065	[SG12COL4	138.00]	AMP	21501.9	-85.71
533075	[VIOLA 4	138.00]	AMP	22036.2	-86.03
533151	[AUBURN 3	115.00]	AMP	21977.4	-84.09
533163	[HOYT 3	115.00]	AMP	23018.6	-85.75
533171	[OSAGE J3	115.00]	AMP	5155.5	-72.85
533182	[TECHILE3	115.00]	AMP	30488.4	-82.76
533232	[BALDCRK3	115.00]	AMP	21675.0	-84.85
533236	[FAIRGDS3	115.00]	AMP	22153.2	-81.51
533271	[SWLWRNC3	115.00]	AMP	22816.0	-81.96
533309	[WEMPORI3	115.00]	AMP	9790.0	-81.60
533335	[MCDOWEL3	115.00]	AMP	17763.0	-85.57
533336	[BLUSTEM3	115.00]	AMP	17078.9	-86.54
533359	[UNIONRG3	115.00]	AMP	3792.8	-87.75
533390	[MAIZEW 4	138.00]	AMP	27864.2	-85.44
533416	[RENO 3	115.00]	AMP	25059.6	-86.11
539801	[THISTLE7	345.00]	AMP	15716.4	-85.88
542966	[WGARDNR5	161.00]	AMP	27436.8	-86.93
542968	[STILWEL7	345.00]	AMP	24401.2	-85.86
542977	[CRAIG 7	345.00]	AMP	21942.5	-85.75
542981	[LACYGNE7	345.00]	AMP	25069.4	-86.87
584659	[G15024G15025345.00]		AMP	6698.0	-86.48
585070	[GEN-2015-069230.00]		AMP	6610.8	-84.48
515375	[WWRDEHV7	345.00]	AMP	20414.7	-86.01
515476	[HUNTERS7	345.00]	AMP	12445.0	-84.73
515544	[RENFROW4	138.00]	AMP	13620.7	-84.89
530592	[SMOKYHL6	230.00]	AMP	6941.3	-84.30
532775	[87TH 7	345.00]	AMP	20389.3	-85.75
532793	[NEOSHO 7	345.00]	AMP	16293.0	-84.49
532795	[FR2WEST7	345.00]	AMP	5481.1	-85.75
532799	[WAVERLY7	345.00]	AMP	14764.2	-86.51
532800	[LATHAMS7	345.00]	AMP	10515.9	-85.56
532854	[LEC U5 6	230.00]	AMP	14314.9	-85.27
532855	[MIDLAND6	230.00]	AMP	12771.6	-84.98
532865	[NMANHT6	230.00]	AMP	8802.0	-85.19
532872	[EMCPHER6	230.00]	AMP	8520.3	-83.90
532920	[TECHILL5	161.00]	AMP	5790.7	-84.76
532984	[SUMNER 4	138.00]	AMP	10180.1	-82.91
532988	[BELAIRE4	138.00]	AMP	18906.2	-84.76
532990	[MIDIAN 4	138.00]	AMP	10208.1	-81.79
533015	[BENTLEY4	138.00]	AMP	10120.2	-85.06
533024	[29TH 4	138.00]	AMP	19689.4	-85.09
533035	[CHISHLM4	138.00]	AMP	22456.6	-84.77
533036	[CLEARWT4	138.00]	AMP	21755.7	-85.40
533046	[GILL S 4	138.00]	AMP	28357.0	-85.43
533053	[LAKERDG4	138.00]	AMP	18961.9	-85.56
533054	[MAIZE 4	138.00]	AMP	23381.2	-85.11
533062	[ROSEHIL4	138.00]	AMP	31772.9	-86.17
533074	[45TH ST4	138.00]	AMP	29217.4	-86.42
533153	[COLINE 3	115.00]	AMP	23427.4	-80.93
533155	[CROOKED3	115.00]	AMP	20734.5	-84.04
533166	[INDIANH3	115.00]	AMP	17814.9	-82.22
533167	[KEENE 3	115.00]	AMP	10031.8	-85.12
533169	[NTHLAND3	115.00]	AMP	15094.3	-82.68
533170	[OSAGE 3	115.00]	AMP	4387.2	-71.70
533176	[SHAWNEE3	115.00]	AMP	12271.5	-82.16
533177	[6 GOLDN3	115.00]	AMP	16334.2	-81.83
533180	[TEC E 3	115.00]	AMP	30049.2	-82.79
533187	[27CROCO3	115.00]	AMP	20481.8	-82.89
533194	[SHERWOD3	115.00]	AMP	20135.9	-83.72
533197	[HARTLND3	115.00]	AMP	13015.2	-81.23
533198	[HOYTJS 3	115.00]	AMP	20048.8	-84.93

533199	[HOYTJN 3	115.00]	AMP	19061.0	-84.73
533234	[BISMARK3	115.00]	AMP	22060.4	-80.86
533240	[EUDORA 3	115.00]	AMP	12123.5	-81.77
533250	[LWRNCHL3	115.00]	AMP	30883.2	-83.97
533253	[MOCKBRD3	115.00]	AMP	20606.4	-79.49
533256	[19THST 3	115.00]	AMP	19242.5	-80.73
533257	[19THSTJ3	115.00]	AMP	19836.4	-80.95
533268	[STRANGR3	115.00]	AMP	33054.2	-86.94
533270	[STULL T3	115.00]	AMP	12659.0	-72.25
533308	[VAUGHN 3	115.00]	AMP	2812.9	-71.28
533311	[WMBROSJ3	115.00]	AMP	6774.1	-76.31
533326	[EMANHAT3	115.00]	AMP	13123.0	-85.63
533328	[FT JCT 3	115.00]	AMP	14585.1	-85.96
533340	[SMANHAT3	115.00]	AMP	11996.4	-85.49
533341	[STAGGHL3	115.00]	AMP	9524.1	-83.88
533360	[TCHOPE 3	115.00]	AMP	3371.1	-87.27
533362	[CHAPMAN3	115.00]	AMP	10381.9	-85.59
533381	[SUMMIT 3	115.00]	AMP	17359.3	-86.39
533392	[SCRNTJS3	115.00]	AMP	5088.0	-74.23
533413	[CIRCLE 3	115.00]	AMP	22714.6	-85.87
533415	[DAVIS 3	115.00]	AMP	8741.9	-82.40
533429	[MOUNDRG3	115.00]	AMP	7183.7	-83.13
533438	[WMCIPHER3	115.00]	AMP	12426.2	-84.78
533880	[GODDARD2	138.00]	AMP	18933.2	-85.91
539800	[CLARKCOUNTY7	345.00]	AMP	12693.8	-84.73
539804	[THISTLE4	138.00]	AMP	16515.4	-86.38
539805	[ELMCREEK7	345.00]	AMP	5313.6	-85.43
541198	[PECULR 7	345.00]	AMP	20152.7	-85.60
542969	[STILWEL5	161.00]	AMP	38867.9	-85.83
542978	[CRAIG 5	161.00]	AMP	39829.9	-85.73
542982	[IATAN 7	345.00]	AMP	27000.3	-86.67
543049	[CEDRCRK5	161.00]	AMP	27769.4	-84.96
543054	[CEDARNL5	161.00]	AMP	13668.6	-84.61
543077	[PLSTVAL5	161.00]	AMP	9761.0	-83.35
543105	[BULLCRK5	161.00]	AMP	25120.8	-87.11
543132	[BNSF 5	161.00]	AMP	20023.6	-85.74
560053	[G15-052T	345.00]	AMP	13192.5	-86.46
583750	[GEN-2013-029345.00]		AMP	10492.1	-84.69
584660	[GEN-2015-024345.00]		AMP	5436.3	-86.45
584670	[GEN-2015-025345.00]		AMP	6580.7	-86.45
585250	[GEN-2015-090345.00]		AMP	3110.7	-85.71